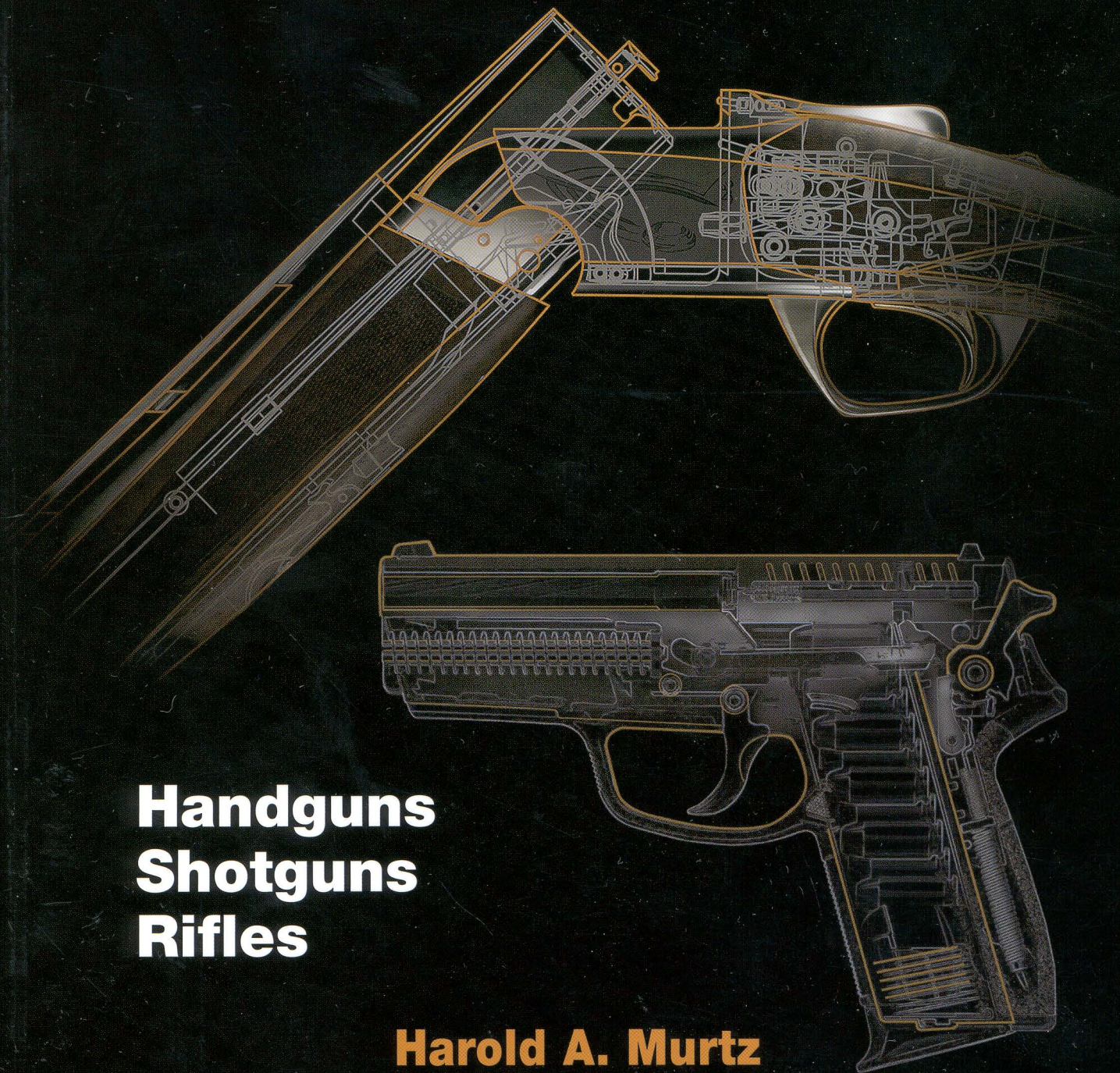


The Gun Digest[®]
Book of

EXPLODED

GUN DRAWINGS

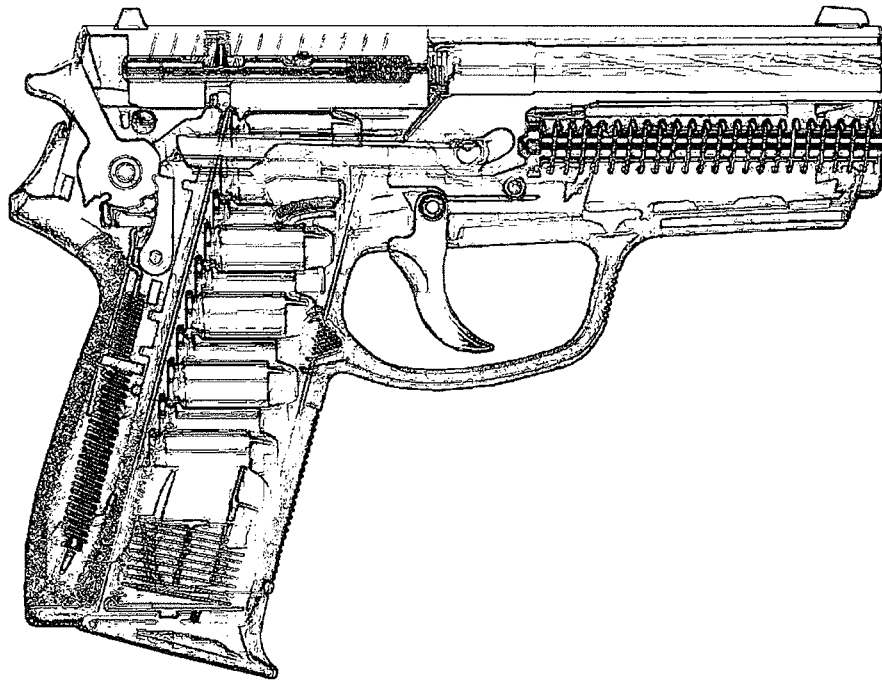
975 Isometric Views



Handguns
Shotguns
Rifles

Harold A. Murtz

The Gun Digest®
Book of **EXPLODED**
GUN DRAWINGS



Harold A. Murtz

©2005 KP Books

Published by



kp books

An imprint of F+W Publications, Inc.

**700 East State Street • Iola, WI 54990-0001
715-445-2214 • 888-457-2873**

Our toll-free number to place an order or obtain
a free catalog is (800) 258-0929.

All rights reserved. No portion of this publication may be reproduced or transmitted in any form or by any means, electronic or mechanical, including photocopy, recording, or any information storage and retrieval system, without permission in writing from the publisher, except by a reviewer who may quote brief passages in a critical article or review to be printed in a magazine or newspaper, or electronically transmitted on radio, television, or the Internet.

Library of Congress Catalog Number: 2004115355

ISBN: 0-89689-141-0

Designed by Kara Grundman
Edited by Dan Shideler

Printed in the United States of America

Visit us on-line at
e-GunParts.com



For more than 50 years Numrich Gun Parts Corporation has been helping keep America's firearms in perfect working order by supplying our customers with quality gun parts at a reasonable price.

You've made us the **WORLD'S LARGEST** supplier of current, obsolete, and military gun parts, gunsmith supplies, military surplus, and shooting accessories.

With over 650 million parts, it's very likely we have the parts you need to repair, modify or accessorize your firearm.

Catalog #27

The only catalog of its kind, featuring fine products from...

- **Colt • Winchester • Remington**
- **Mossberg and more...**

- More than 1,200 pages
- 180,000+ individual items
- Over 500 schematics
- Firearm parts lists
- Store brand name to original manufacturer cross reference.

Call our friendly service representatives, toll free at **866-NUMRICH (866-686-7424)**, or visit our web site at:

e-GunParts.com

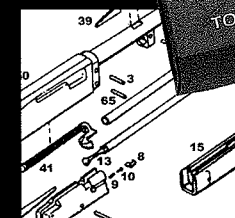
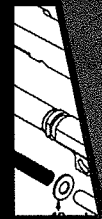
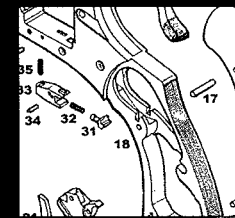
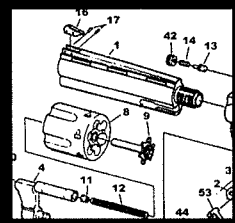
Catalog #27

ITEM#SC-27 \$14.95

U.S. Orders: (Bulk Mail) Shipping charges included.

Foreign Orders: Air Mail – 30 day delivery or surface – 90 day delivery. Shipping charges additional.

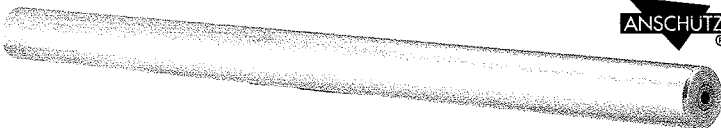
226 Williams Lane, P.O. Box 299 • West Hurley, New York 12491 • Toll-Free Fax: 877- GUNPART



THE LARGEST SOURCE FOR CURRENT, OBSOLETE, MILITARY & COMMERCIAL FIREARMS PARTS AND ACCESSORIES



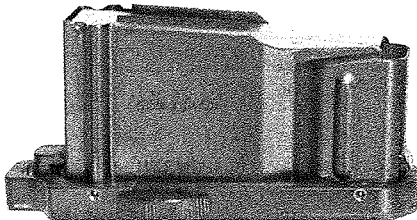
ANSCHUTZ .22LR MATCH GRADE BARREL BLANK



Air-gauged using premium German tool steel with 6% carbon steel. Measures 1 1/4" OD x 19 5/8" long, in the white. Features 8-groove rifling and a 1/16 rate of twist. Note: Circular marking around one end of the bore represents the chamber end. Weight, 6.6 lbs.
ITEM#SC884540 \$89.95

MAUSER 98 RIFLE 3 ROUND DETACHABLE MAGAZINES

Quickly convert your top loading Mauser 98 rifle into a detachable magazine model without alteration. Simply remove the military style floorplate and replace it with a brand new, quality crafted, blued-steel magazine. They were originally manufactured by the Gibbs Rifle Co. for Mauser 98 Sporter Rifles.



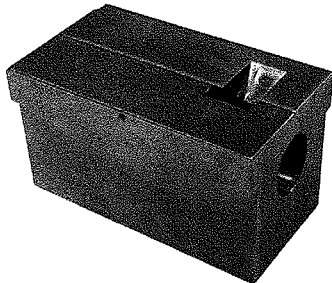
Available in long or short action.

Long Action - Fits .25-06/.270/.30-06/8mm Cartridges ITEM#SC808870 \$26.50
Short Action - Fits .22-250/.243/.308 Cartridges ITEM#SC808880 \$26.50

BOLT HANDLE FORGING BLOCKS

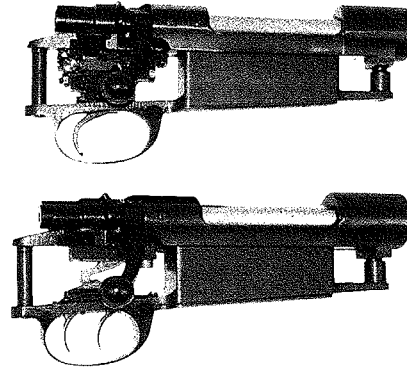
For use with Mauser 93, 94, 95, 96 & 98 rifle bolts. Machined from quality tool steel. Note: Can be modified to function with Springfield 1903/1903A3 bolts.

ITEM#SC928490 \$34.95



MAUSER 98 SINGLE & DOUBLE SET TRIGGER SPORTER ACTIONS

Fully-forged large ring actions for use with standard calibers including 7 x 57 through .30-06. Features include a complete bolt assembly with commercial bolt sleeve, an adjustable trigger assembly with side safety, a push-button, hinged trigger guard assembly and a blued finish. Bolt can be opened in the cocked and safe position. Manufactured in Yugoslavia by Zastava. Choose from either a single trigger (3 1/2 lbs. to 6 lbs.) or a double set trigger (1 1/2 lbs. to 4 1/2 lbs.) configuration. Note: Magazine well measures 3 3/8" in length and bolt face measures .470" in diameter. FFL Required.



Single Trigger Action -
 Regular Price \$292.95 **ITEM#SC851010 \$199.00**
 Double Set Trigger Action -
 Regular Price \$499.95 **ITEM#SC851020 \$299.00**

WINCHESTER 1894 .30 W.C.F. HALF OCTAGON BARREL KIT

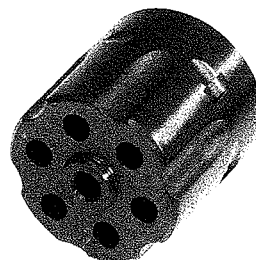


Give your Winchester 94 lever action rifle the look and feel of over a century ago. Our quality crafted kit features a 26" half round/half octagon blued-steel barrel, stained walnut forend, forend tip and screws, full-buckhorn rear sight assembly, Lyman style front sight and a 12 1/2" magazine tube, pin and spring. Fully-finished and ready to install. Fits Pre and Post-64 models. Note: Spring requires fitting. Use your existing magazine plug, screw and follower. Angle Eject models will require additional off-set extractor cut.

ITEM#SC715730 \$279.95

COLT G / K / Q FRAME .22 CALIBER CONVERTIBLE CYLINDERS

Blued-steel, 6 shot, caliber stamped. CNC machined and hardened to the original Colt factory specifications. Fits Colt Buntline Scout, Frontier Scout,



Frontier Scout '62, New Frontier and Peacemaker revolvers. Purchase the cylinders individually or in a set.

.22 LR Cylinder
ITEM#SC189810 \$85.00
 .22 Magnum Cylinder
ITEM#SC881510 \$85.00
 Cylinder Set
ITEM#SC885950 \$149.95

Visit us on-line at
e-GunParts.com

TOLL-FREE: 866-NUMRICH (866-686-7424)
TOLL-FREE FAX (877-GUNPART)

226 Williams Lane, P.O. Box 299 • West Hurley, New York 12491

Shipping and handling costs for parts orders additional. Call for details.

ACKNOWLEDGMENTS

We wish to give special thanks to the following individuals, companies and associations for their contributions to EXPLODED HANDGUN DRAWINGS.

Mr. Jack First of Jack First Distributors; Ms. Nancy Padua of Blacksmith Corporation; Mr. Jerry Krasne and Tony Schmidt of Triple K Manufacturing Company; The Gun Parts Corporation; the National Rifle Association; Mr. Dennis Riordan; Mr. Thomas E. Wessel; the late Mr. James M. Triggs; and the myriad manufacturers and importers of U.S.- and foreign-made handguns.

CONTENTS

ACTION ARMS		BERSA		Colt Commando, Diamondback and Viper Revolver.....	110	
American Arms CX22/CXC22 Auto.....	15	Bersa Model 644 Auto.....	63	Colt Derringer #3.....	111	
American Arms EP380 Auto.....	16	Bersa Model 83-73 Auto.....	64	Colt Derringer #4.....	112	
American Arms P98 Auto.....	17	Bersa Model 223 Auto.....	65	Colt Detective Special and Agent (Old Model) Revolver.....	113	
American Arms PK22 Auto.....	18	Bersa Model 224, 225 and 226 Auto.....	66	Colt Detective Special, Agent and Cobra (New Model) Revolver.....	114	
American Arms PX22 Auto.....	19	BORCHARDT		Colt Double Eagle Auto.....	115	
American Arms ZC380 Auto.....	20	Borchardt Autoloading Pistol.....		67	Colt Frontier Scout and Buntline Scout Revolver.....	116
AMT		BREN		Colt Gold Cup New Model Auto.....	117	
AMT 380 Backup Auto.....	21	Bren Ten Combat Auto.....	68	Colt Government Model 380 and 380 Mustang Auto.....	118	
AMT 45 Hardball, Combat and Longslide Autos.....	22	Bren Ten Pocket Auto.....	69	Colt King Cobra Revolver.....	119	
AMT Lightning Auto.....	23	Bren Ten Special Forces Model Auto.....	70	Colt Lawman Mk. III, Metro Police Mk. III, Official Police Mk. III, Trooper Mk. III and Peacekeeper Revolver.....	120	
AMT Skipper Auto.....	24	BRNO		Colt Lightning Revolver.....	121	
ANSCHUTZ		BROWNING		Colt Model 1911-1911A1 Auto.....	122	
Anschutz Exemplar Bolt Action.....	25	Browning 25 Auto.....	72	Colt New Army and New Navy Revolver.....	123	
ARMINEX		Browning 380 and 32 Auto (Pre-1969)....	73	Colt New Frontier 22 Revolver.....	124	
Arminex Trifire Auto.....	26	Browning 380 Auto (1969-1974).....	74	Colt New Frontier SAA Revolver.....	125	
ASTRA		Browning BDA DA Auto.....	75	Colt Officer's Model Match Revolver....	126	
Astra Cadix Revolver.....	27	Browning BDA 380 Auto.....	76	Colt Official Police Revolver.....	127	
Astra Camper Auto.....	28	Browning BDA 380 (1978-Present).....	77	Colt Paterson Revolver.....	128	
Astra Constable Auto.....	29	Browning Buckmark Auto.....	78	Colt Peacemaker, Peacemaker Buntline, New Frontier and New Frontier Buntline Revolver.....	129	
Astra Cub Auto.....	30	Browning Buckmark Silhouette Auto.....	79	Colt Pocket Auto.....	130	
Astra Falcon Auto.....	31	Browning Buckmark Varmint Auto.....	80	Colt Police Positive Special Revolver....	131	
Astra Firecat Auto.....	32	Browning Challenger II Auto.....	81	Colt Police Python, Python and Trooper (Old Model) Revolver.....	132	
Astra Model 357 AST Revolver.....	33	Browning Challenger III Auto.....	82	Colt Single Action Army Revolver.....	133	
Astra Model 400 Auto.....	34	Browning 9mm Hi-Power Auto.....	83	Colt Walker and 1st, 2nd and 3rd Dragoon Revolver.....	134	
Astra Model A-60 DA Auto.....	35	Browning Model 1900 Auto.....	84	Colt Woodsman Match Target, Target, Sport, Huntsman and Targetsman Auto.....	135	
Astra Model A-80 DA Auto.....	36	Browning Model 1910 Auto.....	85	COONAN		
Astra Model A-90 DA Auto.....	37	Browning Model 1922 Auto.....	86	Coonan Model A 357 Magnum Auto.....	136	
Astra Model 41, 44 and 45 Revolver.....	38	Browning Model 1935 Hi-Power Auto....	87	C.O.P.		
AUTO MAG/AUTO-ORDNANCE		Browning Nomad, Challenger and Medalist Auto.....	88	C.O.P. 4-Shot Derringer.....	137	
Auto Mag Model 180 Auto.....	39	Browning Swedish Model 1907.....	89	CZECH		
Auto-Ordnance Model 1911-A1 Auto.....	40	CALICO		Czech CZ Model 50 Auto.....	138	
BERETTA		Calico Model 100 Auto.....	90	Czech CZ Model 1927 Auto.....	139	
Beretta Model 1915-1919 Auto.....	41	CHARTER		Czech CZ Model 1938 Auto.....	140	
Beretta Model 1934 Auto.....	42	Charter Bulldog 44 Special Revolver.....	91	Czech CZ Model 1945 Auto.....	141	
Beretta Model 20 Auto.....	43	Charter Bulldog Tracker Revolver.....	92	DAN WESSON		
Beretta Model 21A Auto.....	44	Charter Off-Duty Revolver.....	93	Dan Wesson Model 12 Revolver.....	142	
Beretta Model 70 Auto.....	45	Charter Pathfinder Revolver.....	94	Dan Wesson Model 8-2S, 14-2S, 708 and 714 Revolver.....	143	
Beretta Model 76 Auto.....	46	Charter Pathfinder Revolver.....	94	Dan Wesson Model 8-2, 9-2, 14-2 and 15-2 Revolver.....	144	
Beretta Model 81 and 84 Auto.....	47	Charter Police Bulldog and Police Undercover Revolver.....	95	Dan Wesson Model 375, 40, 41, 44, 45, 740, 741 and 744 Revolver.....	145	
Beretta Model 85B and 85BB Auto.....	48	Charter Target Bulldog Revolver.....	96	Dan Wesson Model 44 Revolver.....	146	
Beretta Model 87 Auto.....	49	Charter Undercover Revolver.....	97	DAVIS		
Beretta Model 90 Auto.....	50	COLLIER		Davis Derringer.....	147	
Beretta Model 92 Auto.....	51	Collier Flintlock.....	98	Davis P-32 and P-380 Auto.....	148	
Beretta Model 92F and 92F Compact Auto.....	52	COLT		DESERT EAGLE		
Beretta Model 92S Auto.....	53	Colt 1849 Revolver.....	99	Desert Eagle 41/44 Magnum Auto.....	149	
Beretta Model 92SB, 92SB Compact and 98 Auto.....	54	Colt 1851 Navy and 1862 Pocket Navy Revolver.....	100			
Beretta Model 950 B and 950 BS Auto.....	55	Colt 1855 Sidehammer Revolver.....	101			
BERGMANN-BAYARD, BERGMANN		Colt 1860 Army, 1861 Navy and 1862 Police Revolver.....	102			
Bergmann-Bayard Model 1908 Auto.....	56	Colt 22-Caliber Conversion Unit.....	103			
Bergmann Special Auto.....	57	Colt 22 Short and 25 ACP Pocket Auto.....	104			
BERNARDELLI		Colt 32 and 380 Pocket Auto.....	105			
Bernardelli Model 60 Auto.....	58	Colt Anaconda Revolver.....	106			
Bernardelli Model 80 Auto.....	59	Colt Buntline Special Revolver.....	107			
Bernardelli Model 90 Auto.....	60	Colt Cobra Revolver (Old Model).....	108			
Bernardelli Model PO-18 Auto.....	61	Colt Combat Commander, 10mm Delta Elite, Lightweight Commander MK.IV, Officers ACP MK.IV Series 80 and Gold Cup National Match MK.IV Series 80 Auto.....	109			
Bernardelli Model VB60 Auto.....	62					

DETONICS			
Detonics Combat Master Auto.....	150		
DREYSE			
Dreyse Model 1907 Auto.....	151		
EMF			
EMF Dakota Model 1873 Revolver.....	152		
EMF Remington 1875 Army Revolver ...	153		
ENFIELD			
Enfield No. 2 Mk. I Revolver.....	154		
ERMA			
Erma 22 Auto.....	155		
Erma KGP68A Auto.....	156		
Erma KGP69 Auto.....	157		
Erma RX22 Auto.....	158		
FEDERAL ORDNANCE			
Federal Ordnance C-96 Auto.....	159		
Federal Ordnance Model 714 Auto.....	160		
FREEDOM ARMS			
Freedom Arms 454 Casull Revolver.....	161		
Freedom Arms Mini Revolver.....	162		
FRENCH			
French Model 1892 Ordnance Revolver	163		
French Model 1935A Auto.....	164		
FROMMER			
Frommer Stop Auto.....	165		
GLISENTI			
Glisenti Model 1910 Auto.....	166		
GLOCK			
Glock Model 17 Auto.....	167		
GREAT WESTERN			
Great Western Single-Action Revolver..	168		
Great Western Derringer.....	169		
GRENDL			
Grendel P-10 Auto.....	170		
HAENEL-SCHMEISSER			
Haenel-Schmeisser Model 1 Auto.....	171		
HAMMERLI			
Hammerli Model 103 Single Shot.....	172		
Hammerli Model 120 Single Shot.....	173		
Hammerli Model 150 Single Shot.....	174		
Hammerli Model 152 Single Shot.....	175		
Hammerli Model 208/211 and 214/215 Auto.....	176		
Hammerli Model 232 Auto.....	177		
Hammerli Model 280 Auto.....	178		
HARRINGTON & RICHARDSON			
Harrington & Richardson Handy Gun....	179		
Harrington & Richardson 32 Auto.....	180		
Harrington & Richardson Model 603, 604, 903, 904, 905, 504, 826, 829 and 832 Revolver.....	181		
Harrington & Richardson Model 732 and 733 Revolver.....	182		
Harrington & Richardson Model 922 and 933 Revolver.....	183		
Harrington & Richardson Model 925 Revolver.....	184		
Harrington & Richardson Model 929 Revolver.....	185		
Harrington & Richardson Model 949, 950, 976, 649, 650, 660, 666, 676 and 686 Revolver.....	186		
Harrington & Richardson Model 999 Sportsman Revolver.....	187		
Harrington & Richardson Top Break 22 7-Shot Revolver.....	188		
HECKLER & KOCH			
Heckler & Koch HK-4 Auto.....	189		
Heckler & Koch P7 Auto.....	190		
Heckler & Koch P7M8 Auto.....	191		
Heckler & Koch P7M13.....	192		
Heckler & Koch P7 (PSP) Auto.....	193		
Heckler & Koch P9S 9mm Auto.....	194		
Heckler & Koch SP89 Auto.....	195		
Heckler & Koch VP70Z Auto.....	196		
HIGH STANDARD			
High Standard Derringer.....	197		
High Standard Duramatic Auto.....	198		
High Standard Mark I Sentinel Revolver	199		
High Standard Military Model 107 Auto	200		
High Standard Model 100 and 101 Auto	201		
High Standard Model 104 Super Citation Auto.....	202		
High Standard Model HB Auto.....	203		
High Standard Model R-101 Revolver..	204		
High Standard Model R-108 Revolver..	205		
High Standard Model W-102 and Model W-103 Revolver.....	206		
High Standard Model W-104 and Model W-105 Revolver.....	207		
High Standard Sentinel Deluxe Revolver	208		
High Standard Sport King Auto.....	209		
High Standard Supermatic Auto.....	210		
High Standard Takedown Model Auto..	211		
HUNGARIAN			
Hungarian Model P-37 Auto.....	212		
IAI			
IAI Javelina Auto.....	213		
INTERARMS			
Interarms Model R9 Auto.....	214		
INTRATEC			
Intratec Derringer.....	215		
Intratec TEC-22 Auto.....	216		
Intratec TEC-9 Auto.....	217		
IVER JOHNSON			
Iver Johnson 25ACP DA Auto.....	218		
Iver Johnson Model 50 Revolver.....	219		
Iver Johnson Model 66 Revolver.....	220		
Iver Johnson Pony Auto.....	221		
Iver Johnson Top-Break Revolver.....	222		
Iver Johnson TP22 Auto.....	223		
JAPANESE			
Japanese Baby Nambu Auto.....	224		
Japanese Nambu Type 14 Auto.....	225		
Japanese Type 26 Revolver.....	226		
Japanese Type 94 Auto.....	227		
JENNINGS			
Jennings J-22 Auto.....	228		
JERICO			
Jericho 941 Auto.....	229		
LAR			
LAR Grizzly Win. Mag. Mark II Auto.....	230		
LE FRANCAIS			
Le Francais 9mm Browning Auto.....	231		
Le Francais Pocket Model Auto.....	232		
LLAMA			
Llama 22 Auto.....	233		
Llama 32 Auto.....	234		
Llama 357 Revolver.....	235		
Llama 380 Auto.....	236		
Llama 44 Magnum Revolver.....	237		
Llama 45 Auto.....	238		
Llama 45 Omni Auto.....	239		
Llama M-87 Auto.....	240		
Llama 9mm DA M-82 Auto.....	241		
Llama 9mm Omni Auto.....	242		
Llama 9mm Parabellum Auto.....	243		
Llama Commanche III Revolver.....	244		
Llama Large Frame IX-A Auto.....	245		
Llama Large Frame IX-B Auto.....	246		
Llama Martial 38 and 22 Revolver.....	247		
Llama Super Commanche 44 Magnum Revolver.....	248		
LUGER			
Luger Conversion Unit.....	249		
Luger Model 1900-02 Auto.....	250		
Luger Model 1908 Auto.....	251		
LYMAN			
Lyman 1851 Navy Revolver.....	252		
Lyman 1860 Army Revolver.....	253		
MAB			
MAB Model A Auto.....	254		
MAB Model D Auto.....	255		
MAB Model P8 Auto.....	256		
MAB Model P15 Auto.....	257		
MAB Model R22 Auto.....	258		
MAB Winfield Auto.....	259		
MAKAROV			
Makarov 9mm Auto.....	260		
MANN			
Mann Auto.....	261		
MANNLICHER			
Mannlicher Model 1901 Auto.....	262		
MAUSER			
Mauser Model HSc Auto.....	263		
Mauser Model HSc (Post-1945) Auto...	264		
Mauser Model 1896 "Broomhandle" (Early Type Cone Hammer) Auto.....	265		
Mauser Model 1909-1910 Pocket Auto	266		
Mauser Model 1910-1934 Pocket Auto	267		
Mauser W.T.P. Old Model Auto.....	268		
MITCHELL			
Mitchell 22 Rimfire Revolver.....	269		
Mitchell SA Target/Silhouette Revolver	270		
Mitchell Single Action Revolver.....	271		
MKE			
MKE Turkish 380 Auto.....	272		
NEW DETONICS			
New Detonics Scoremaster/Service master Auto.....	273		
NORINCO			
Norinco 213 Auto.....	274		
NORTH AMERICAN			
North American 450 Magnum Revolver	275		
North American A-22S-5 Mini Revolver	276		
ORTGIES			
Ortgies Pocket Auto.....	277		
PARA-ORDNANCE			
Para-Ordnance P14-45 Auto.....	278		
POLISH			
Polish Model 1935 (P-35) Auto.....	279		

RAM-LINE			
Ram-Line Exactor Auto.....	280		
RAVEN			
Raven Model P-25 and MP-25 Auto.....	281		
REMINGTON			
Remington Double Derringer Auto.....	282		
Remington Model 1890 Frontier Revolver.....	283		
Remington Model 51 Auto.....	284		
Remington New Model Army 44 Revolver.....	285		
Remington New Model Pocket Revolver.....	286		
Remington XP-100 Bolt Action.....	287		
RIGARMI			
Rigarmi 22 and 25 Auto.....	288		
ROHM			
Rohm RG 63 Revolver.....	289		
ROSSI			
Rossi 22 Senator Revolver.....	290		
Rossi Model 68, 69, 70 and 31 Revolver.....	291		
Rossi Target Revolver.....	292		
RUGER			
Ruger 44 Magnum Blackhawk.....	293		
Ruger 357 Maximum Blackhawk Revolver.....	294		
Ruger Bearcat 22 Revolver.....	295		
Ruger Bisley Revolver.....	296		
Ruger Bisley Rimfire Revolver.....	297		
Ruger Blackhawk and Super Blackhawk Revolver.....	298		
Ruger GP-100 Revolver.....	299		
Ruger Hawkeye.....	300		
Ruger Mark II Standard & Target Auto.....	301		
Ruger New Model Bisley Revolver.....	302		
Ruger New Model Blackhawk Revolver.....	303		
Ruger New Model Single-Six SA Revolver.....	304		
Ruger New Model Super Blackhawk Hunter Model Revolver.....	305		
Ruger Old Army Blackpowder Revolver.....	306		
Ruger P85 Auto.....	307		
Ruger New Model Blackhawk Revolver.....	308		
Ruger Single-Six Revolver.....	309		
Ruger Super Blackhawk Hunter Revolver.....	310		
Ruger P85 MKII Auto.....	311		
Ruger P89DC Auto.....	312		
Ruger P90DC Auto.....	313		
Ruger Redhawk Revolver.....	314		
Ruger Security Six, SP-6, and PS-6 Revolver.....	315		
Ruger Old Model Single-Six Revolver.....	316		
Ruger SP-101 Revolver.....	317		
Ruger Stainless Blackhawk and Super Blackhawk Revolver.....	318		
Ruger Stainless New Model Single-Six Revolver.....	319		
Ruger Standard and Target Mark I Auto.....	320		
Ruger Super Redhawk Revolver.....	321		
RUSSIAN			
Russian Tokarev Auto.....	322		
SAFARI ARMS			
Safari Arms Enforcer and Matchmaster Auto.....	323		
SAUER			
Sauer Model 1913 Auto.....	324		
Sauer Model 38H Auto.....	325		
SAUER & SOHN			
Sauer & Sohn Model 1930 Auto.....	326		
SAVAGE			
Savage Model 1910 Auto.....	327		
Savage Model 1917 Auto.....	328		
SIG-NEUHAUSEN			
SIG-Neuhausen Auto.....	329		
SIG-SAUER			
SIG-Sauer P220 Auto.....	330		
SIG-Sauer P225 Auto.....	331		
SIG-Sauer P226 Auto.....	332		
SIG-Sauer P228 Auto.....	333		
SIG-Sauer P230 Auto.....	334		
SMITH & WESSON			
Smith & Wesson 22 Model 1 (Second Issue) Revolver.....	335		
Smith & Wesson 38 Safety Hammerless.....	336		
Smith & Wesson 44 American Revolver.....	337		
Smith & Wesson Model 10 Revolver.....	338		
Smith & Wesson Model 12 Revolver.....	339		
Smith & Wesson Model 13 Revolver.....	340		
Smith & Wesson Model 14 Revolver.....	341		
Smith & Wesson Model 15 Revolver.....	342		
Smith & Wesson Model 16 Revolver.....	343		
Smith & Wesson Model 17 Revolver.....	344		
Smith & Wesson Model 18 Revolver.....	345		
Smith & Wesson Model 19 Revolver.....	346		
Smith & Wesson Model 22/32 Kit Gun Revolver.....	347		
Smith & Wesson Model 24 Revolver.....	348		
Smith & Wesson Model 25 Revolver.....	349		
Smith & Wesson Model 27 Revolver.....	350		
Smith & Wesson Model 28 Revolver.....	351		
Smith & Wesson Model 29 Revolver.....	352		
Smith & Wesson Model 30 and 31 Revolver.....	353		
Smith & Wesson Model 32 and 33 Revolver.....	354		
Smith & Wesson Model 34 and 35 Revolver.....	355		
Smith & Wesson Model 35 Auto.....	356		
Smith & Wesson Model 36 Revolver.....	357		
Smith & Wesson Model 37 Revolver.....	358		
Smith & Wesson Model 38 Revolver.....	359		
Smith & Wesson Model 39 Auto.....	360		
Smith & Wesson Model 40 and 42 Revolver.....	361		
Smith & Wesson Model 41 Auto.....	362		
Smith & Wesson Model 43 and 51 Revolver.....	363		
Smith & Wesson Model 46 Auto.....	364		
Smith & Wesson Model 48 Revolver.....	365		
Smith & Wesson Model 49 Revolver.....	366		
Smith & Wesson Model 52 Auto.....	367		
Smith & Wesson Model 53 Revolver.....	368		
Smith & Wesson Model 57 Revolver.....	369		
Smith & Wesson Model 58 Revolver.....	370		
Smith & Wesson Model 59 Auto.....	371		
Smith & Wesson Model 60 Revolver.....	372		
Smith & Wesson Model 61 Auto.....	373		
Smith & Wesson Model 63 Revolver.....	374		
Smith & Wesson Model 64 Revolver.....	375		
Smith & Wesson Model 65 Revolver.....	376		
Smith & Wesson Model 66 Revolver.....	377		
Smith & Wesson Model 67 Revolver.....	378		
Smith & Wesson Model 422 Auto.....	379		
Smith & Wesson Model 439 Auto.....	380		
Smith & Wesson Model 459 Auto.....	381		
Smith & Wesson Model 469 Auto.....	382		
Smith & Wesson Model 539 Auto.....	383		
Smith & Wesson Model 547 Revolver.....	384		
Smith & Wesson Model 559 Auto.....	385		
Smith & Wesson Model 581 Revolver.....	386		
Smith & Wesson Model 586 Revolver.....	387		
Smith & Wesson Model 624 Revolver.....	388		
Smith & Wesson Model 629-1 Revolver.....	389		
Smith & Wesson Model 639 Auto.....	390		
Smith & Wesson Model 645 Auto.....	391		
Smith & Wesson Model 649 Revolver.....	392		
Smith & Wesson Model 650 Revolver.....	393		
Smith & Wesson Model 651 Revolver.....	394		
Smith & Wesson Model 657 Revolver.....	395		
Smith & Wesson Model 659 Auto.....	396		
Smith & Wesson Model 669 Auto.....	397		
Smith & Wesson Model 681 Revolver.....	398		
Smith & Wesson Model 686 Revolver.....	399		
Smith & Wesson Model 745 Auto.....	400		
Smith & Wesson Tip-Up 32 Revolver.....	401		
SPRINGFIELD			
Springfield Armory 1911-A2 Auto.....	402		
Springfield Armory Omega Auto.....	403		
Springfield Armory P9 Auto.....	404		
STAR			
Star 30PK Auto.....	405		
Star BKS Starlight Auto.....	406		
Star BM and BKM Auto.....	407		
Star BS Auto.....	408		
Star Firestar Auto.....	409		
Star Model F Auto.....	410		
Star Model 30M Auto.....	411		
Star Model FM Auto.....	412		
Star Model P, A and B Auto.....	413		
Star Model PD Auto.....	414		
Star Starfire Auto.....	415		
Star Starlet Auto.....	416		
STERLING			
Sterling Model 400 Mk.II Auto.....	417		
Sterling Model 300 and 302 Auto.....	418		
Sterling Model 285 Auto.....	419		
STEYR			
Steyr Model 1912 Auto.....	420		
Steyr Model 1908 Auto.....	421		
Steyr Model SP Auto.....	422		
Steyr-Hahn Model 1911 Auto.....	423		
STOEGER			
Stoeger Luger Auto.....	424		
SWEDISH			
Swedish Lahti Auto.....	425		
TANARMI			
Tanarmi BTA90 Auto.....	426		
Tanarmi TA38S Derringer.....	427		
Tanarmi TA90 Auto.....	428		
TARGA			
Targa GT26 Auto.....	429		
Targa GT27B and GT27C Auto.....	430		

TAURUS	
Taurus Model 65 Revolver.....	431
Taurus Model 66 Revolver.....	432
Taurus Model 67 Revolver.....	433
Taurus Model 689 Revolver.....	434
Taurus Model 70 Revolver.....	435
Taurus Model 71 Revolver.....	436
Taurus Model 73 Revolver.....	437
Taurus Model 76 Revolver.....	438
Taurus Model 80 Revolver.....	439
Taurus Model 82 and 82S Revolver.....	440
Taurus Model 83 and 83S Revolver.....	441
Taurus Model 85 and 85S Revolver.....	442
Taurus Model 85S Stainless Revolver.....	443
Taurus Model 86 Revolver.....	444
Taurus Model 87 Revolver.....	445
Taurus Model 88 and 889 Revolver.....	446
Taurus Model 90 Revolver.....	447
Taurus Model 93 Revolver.....	448
Taurus Model 94 Revolver.....	449
Taurus Model 96 Revolver.....	450
Taurus Model PT-22 Auto.....	451
Taurus Model PT-25 Auto.....	452
Taurus Model PT-51 Auto.....	453
Taurus Model PT-53 Auto.....	454
Taurus Model PT-55 Auto.....	455
Taurus Model PT-57 S Auto.....	456
Taurus Model PT-57 TA Auto.....	457
Taurus Model PT-92 Auto.....	458
Taurus Model PT-92 AF Auto.....	459
Taurus Model PT-99 Auto.....	460
Taurus Model PT-99 AF Auto.....	461
TEXAS LONGHORN	
Texas Longhorn Single-Action Revolver.....	462
THOMPSON/CENTER	
Thompson/Center Contender (Old Style).....	463
TYPICAL	
Typical Flintlock Pistol.....	464
UBERTI	
Uberti 1849 Pocket Revolver.....	465
Uberti 1860 Army Revolver.....	466
Uberti 1861 Navy Revolver.....	467
Uberti 1862 Navy Pocket Revolver.....	468
Uberti 1862 Police Revolver.....	469
Uberti 1875 Remington Revolver.....	470
Uberti 1st and 2nd Model Dragoon Revolver.....	471
Uberti 3rd Model Dragoon Revolver.....	472
Uberti Buckhorn Revolver.....	473
Uberti Cattleman SA Revolver.....	474
Uberti Rolling Block Single Shot.....	475
Uberti Stallion Revolver.....	476
Uberti Walker Revolver.....	477
Uberti Wells Fargo Revolver.....	478
UNIQUE	
Unique 823 U Au.....	479
Unique 2000 U Auto.....	480
Unique Escort and Corsair Auto.....	481
Unique Model Bcf 66 Auto.....	482
U.S.	
U.S. Model 1842 Percussion.....	483
UZI	
Uzi Auto.....	484

VIRGINIAN	
Virginian Dragoon Revolver.....	485
WALTHER	
Walther Model 1 Auto.....	486
Walther Model 4 Auto.....	487
Walther Model 8 Auto.....	488
Walther Model 9 Auto.....	489
Walther Olympia-Pistole Auto.....	490
Walther Olympia Rapid-Fire Auto.....	491
Walther P-38 Auto.....	492
WEBLEY	
Webley Mark IV Revolver.....	493
Webley Metropolitan Police Auto.....	494
Webley & Scott 455 Auto.....	495
WHITNEY	
Whitney Wolverine 22 Auto.....	496
WILKINSON	
Wilkinson Arms Linda Auto.....	497
EXPLODED LONG GUN DRAWINGS	
ACTION ARMS	
Timber Wolf Slide-Action Rifle.....	499
AMERICAN ARMS	
AKF 39 & AKY Autoloading Rifle.....	500
Black Magic Autoloading Shotgun.....	501
Brittany Side-by-Side Shotgun.....	502
Eagle Over/Under Shotgun.....	503
Silver I & II, Sterling, Bristol & Charles Daly O/U Shotgun Over/Under Shotgun.....	504, 505
Turkey or Waterfowl Special Side-by-Side Shotgun.....	506
Turkey and Waterfowl Special Single Shotgun.....	507
Turkey or Waterfowl Special Over/Under Shotgun.....	508
ANSCHUTZ	
Achiever Bolt-Action Rifle.....	509
Mark 2000 & 2000 D Bolt-Action Rifle.....	510
Model 1415, 1415 D, 1416, 1416 D, 1515 D & 1516 D Deluxe Bolt-Action Rifle.....	511
Model 1418 D and 1518 D Deluxe Bolt-Action Rifle.....	512
Model 1422 D and 1522 D Classic Bolt-Action Rifle.....	513
Model 1449, 1449 D, 1450, & 1450 D Bolt-Action Rifle.....	514
Model 1803, 1803 D, 1803 L & 1803 LD Bolt-Action Rifle.....	515
Model 525 Autoloading Rifle.....	516
AUTO-ORDNANCE	
Model 1927 A-1 and 1927 M1 Autoloading Rifle.....	517
AYA	
Model 1 Side-by-Side Shotgun.....	518
Model 2 Side-by-Side Shotgun.....	519
Model 37 Over/Under Shotgun.....	520
Model 53 Side-by-Side Shotgun.....	521
Model 56 Side-by-Side Shotgun.....	522
Model XXV Side-by-Side Shotgun.....	523
BALLARD	
Single-Shot Rifle.....	524
BENELLI	
M1 Super 90 Autoloading Shotgun.....	525
Montefeltro Super 90 Autoloading Shotgun.....	526

BERETTA	
Model A300 Autoloading Shotgun.....	527
Model A301 Autoloading Shotgun.....	527
Model A302 Autoloading Shotgun.....	527
Model A303 Autoloading Shotgun.....	527
Model AR70 Autoloading Rifle.....	528
Model 680 Over/Under Shotgun.....	529
Model 682 Over/Under Shotgun.....	529
Model 685 Over/Under Shotgun.....	529
Model 686 Over/Under Shotgun.....	529
Model 687 Over/Under Shotgun.....	529
BOITO	
New Model Over/Under Shotgun.....	530
Side-by-Side Shotgun.....	531
BREDA	
Mark II Autoloading Shotgun.....	532
BRIDGE	
Single Shot Shotgun.....	533
BRITISH LEE-ENFIELD	
No. 1, Mark III (SMLE) Bolt-Action Rifle.....	534
No. 4, Mark I* (SMLE) Bolt Action Rifle.....	535
BROWNING	
1885 Lever-Action Rifle.....	536
1886 Lever-Action Rifle.....	537
1895 Lever-Action Rifle.....	538
Auto-22 Autoloading Rifle.....	539
Auto-5 Autoloading Shotgun.....	540
A-500R Autoloading Shotgun.....	541
A-Bolt Bolt-Action Rifle.....	542
A-Bolt 22 Bolt-Action Rifle.....	543
BAR Magnum Autoloading Rifle.....	544
BAR Standard Autoloading Rifle.....	544
BAR-22 Type II Autoloading Rifle.....	545
BAR-22 Type III Autoloading Rifle.....	546
BBR Bolt-Action Rifle.....	547
BLR (Model 81) Lever-Action Rifle.....	548
BPS Slide-Action Shotgun.....	549
B-2000 Autoloading Shotgun.....	550
B-27 Over/Under Shotgun.....	551
B-78 Single Shot Rifle.....	552
B-80 Autoloading Shotgun.....	553
B-92 Lever-Action Rifle.....	554
B-SS Side-by-Side Shotgun.....	555
BT-99 Single Shot Shotgun.....	556
Citori Original Over/Under Shotgun.....	557
Citori Type 1 Over/Under Shotgun.....	558
Citori Type 2 Over/Under Shotgun.....	558
Citori Type 3 Over/Under Shotgun.....	558
Double Automatic Shotgun.....	559
FAL Standard Autoloading Rifle.....	560
High-Power Bolt-Action Rifle.....	561
Liege Over/Under Shotgun.....	562
Model 12 Slide-Action Shotgun.....	563
Model 65 Lever-Action Rifle.....	564
Model 71 Lever-Action Rifle.....	565
Model BL-22 Lever-Action Rifle.....	566
Percussion Mountain Rifle.....	567
Superposed Over/Under Shotgun.....	568
T-Bolt Bolt-Action Rifle.....	569
BSA	
CF2 High-Power Autoloading Rifle.....	570
BURNSIDE	
Carbine.....	571
CHARLES DALY	
12-Gauge Autoloading Shotgun.....	572

CHARTER ARMS		GLENFIELD		Model 51 Featherlight Autoloading Shotgun 643
AR-7 Explorer Autoloading Rifle.....	573	Model 15 Bolt-Action Rifle	605	Model 66 Supersingle Single Shot Lever- Action Shotgun..... 644
AR-7S Explorer Autoloading Rifle	573	Model 15 Youth Bolt-Action Rifle	605	Model 72 Lever-Action Rifle
CHIPMUNK		Model 30A Lever-Action Shotgun	606	Perazzi Single Barrel Trap Shotgun.....
Single Shot Rifle.....	574	Model 30AS Lever-Action Shotgun	606	XL-300 Autoloading Shotgun..... 647
CHURCHILL		Model 50 Bolt-Action Shotgun.....	607	XL-900 Autoloading Shotgun..... 647
Bolt-Action Rifle	575	HARRINGTON & RICHARDSON		
Over/Under Shotgun	576	Model 088 Single Shot Shotgun	608	
Side-by-Side Shotgun.....	577	Model 099 Single Shot Shotgun	608	
COLT		Model 360 Autoloading Rifle	609	
AR15-A2 Sporter Autoloading Rifle.....	578	Model 440 Slide-Action Shotgun	610	
AR15-A2 Autoloading Rifle.....	579	Model 480 Topper Jr. Single Shot Shotgun	611	
Colteer Autoloading Rifle	580	Model 580 Topper Jr. Single Shot Shot.....	611	
Courier Autoloading Rifle	580	Model 700 Autoloading Rifle	612	
Lightning Slide-Action Rifle	581	Model 700 Deluxe Autoloading Rifle.....	612	
Stagecoach Autoloading Rifle.....	580	Model 750 Pioneer Bolt-Action Rifle.....	613	
COLT/SAUER		Model 751 Pioneer Bolt-Action Rifle.....	613	
Bolt-Action Rifle	582	Model 755 Sahara Single Shot Rifle.....	614	
DIARM		Model 760 Sahara Single Shot Rifle.....	614	
Derby Side-by-Side Shotgun	583	Mustang Model 163 Single Shot Rifle..	615	
Bristol Over/Under Shotgun.....	584	Topper Model 158 Combo Single Shot Rifle	615	
Lince Over/Under Shotgun.....	584	HECKLER & KOCH		
Silver Over/Under Shotgun	584	300 Autoloading Rifle	616	
Shogun Side-By-Side Shotgun	585	33 Full-Auto Rifle.....	617	
York Side-by-Side Shotgun.....	585	630 Autoloading Rifle	618	
D-MAX		770 Autoloading Rifle	618	
Autoloading Carbine.....	586	91A2 Autoloading Rifle.....	619	
ENFIELD		93A2 Autoloading Rifle.....	620	
Model 1917 Bolt-Action Rifle	587	940 Autoloading Rifle	618	
ERMA		MP 5A2/A3 Full-Auto Rifle.....	621	
EG 722 Autoloading Rifle	588	SL6 Autoloading Rifle	622	
EG 73 Lever-Action Rifle	589	SL7 Autoloading Rifle.....	622	
EM1 Autoloading Rifle.....	590	HEYM		
ESG 22 Autoloading Rifle.....	591	Model 33N Drilling.....	623	
EXCAM		Model 37 Drilling	624	
Senator SOUF12 Over/Under Shotgun.....	592	Model SR 20 Bolt-Action Rifle	625	
Senator SOUF20 Over/Under Shotgun.....	592	HIGH STANDARD		
Senator SOUF41 Over/Under Shotgun.....	592	12-Gauge Slide-Action Shotgun	626	
FN		Flite King Slide-Action Shotgun	627	
1949 Autoloading Rifle	593	Model 10A Autoloading Shotgun	628	
Supreme Bolt-Action Rifle.....	594	Model 200 Slide-Action Shotgun	629	
FOX		Model 514 Bolt-Action Shotgun.....	630	
Model B Side-by-Side Shotgun	595	Sport King Autoloading Carbine	631	
Model B-SE Side-by-Side Shotgun	596	Supermatic Deluxe Model C-1200 Autoloading Shotgun	632	
Model B-C Side-by-Side Shotgun	598	Supermatic Deluxe Model C-1211 Autoloading Shotgun	632	
Model B-D Side-by-Side Shotgun	598	HOWA		
Model B-E Side-by-Side Shotgun.....	598	Series 1500 Bolt-Action Rifle	633	
Model BDE Side-by-Side Shotgun.....	597	HUNGARIAN		
Model BSE Series F Side-by-Side Shotgun	597	Model 98/40 Bolt-Action Rifle	634	
Model BSE Series H Side-by-Side Shotgun	597	IGA		
Model BSE-C Side-by-Side Shotgun.....	597	Over/Under Shotgun	635	
Model BSE-D Side-by-Side Shotgun.....	597	Side-by-Side Shotgun.....	636	
Model BSE-E Side-by-Side Shotgun.....	597	Single Barrel Shotgun.....	637	
Model BST Side-by-Side Shotgun	598	INTERARMS		
FRANCHI		Mark X Bolt-Action Rifle.....	638	
Autoloading Shotgun.....	599	ITALIAN CARCANO		
FRENCH		1891 Bolt-Action Rifle	639	
MAS 1936 Bolt-Action Rifle.....	600	ITHACA		
Model 1874 Gras Bolt-Action Rifle.....	601	LSA-65 Bolt-Action Rifle	640	
GALIL		Mag 10 Autoloading Shotgun	641	
308 AR Autoloading Rifle	602	Model 37 Featherweight Slide-Action Shotgun	642	
GARCIA				
Bronco Single Shot Shotgun.....	603			
GERMAN				
Model 43 Bolt-Action Rifle	604			

Mini-14 Ranch Autoloading Rifle.....	799	Model 30J Series A, B and C Slide-Action Shotgun	830	Model 94C Series M Single Shot Shotgun	852
Mini-Thirty Autoloading Rifle	800	Model 30K Series A, B and C Slide-Action Shotgun	830	Model 94Y Series M Single Shot Shotgun	852
Model 10/22 Autoloading Rifle.....	801	Model 30T Series A, B and C Slide-Action Shotgun	830	SCHMIDT-RUBIN	
Model 77 Bolt-Action Rifle	802	Model 30T Slide-Action Shotgun	830	Model 1889 Straight-Pull Rifle	853
Model 77/22 Bolt-Action Rifle	803	Model 312 Over/Under Shotgun	831	Model 1911 Straight-Pull Rifle	853
M-77 Mark II Bolt-Action Rifle.....	804	Model 330 Over/Under Shotgun	832	SEARS	
No. 1 Single Shot Rifle	805	Model 333 Over/Under Shotgun	833	Model 101.10041 Single Shot Shotgun	854
No. 3 Single Shot Carbine.....	806	Model 34 Bolt-Action Rifle	834	Model 101.1381 Bolt-Action Shotgun...	855
Red Label Over/Under Shotgun	807, 808	Model 340 Bolt-Action Rifle	835	Model 101.512220 Side-by-Side Shotgun	856
SAKO					
Finnbear Bolt-Action Rifle	809	Model 340B Bolt-Action Rifle.....	835	Model 101.512230 Side-by-Side Shotgun	856
Finnwolf Lever-Action Rifle.....	810	Model 340C Bolt-Action Rifle.....	835	Model 66 Autoloading Shotgun.....	857
Forrester Bolt-Action Rifle.....	809	Model 340D Bolt-Action Rifle.....	835	SHARPS	
Vixen Bolt-Action Rifle.....	811	Model 340V Bolt-Action Rifle	835	Model 1874 Creedmoore Rifle	858
SAUER					
200 Bolt-Action Rifle	812	Model 34M Bolt-Action Rifle	836	SIAMESE	
SAVAGE					
Model 110 Bolt-Action Rifle	813	Model 35 Bolt-Action Rifle	836	Mauser Bolt-Action Rifle	869
Model 110B Bolt-Action Rifle.....	814, 816	Model 358 Series A Lever-Action Rifle..	846	SKS	
Model 110C Bolt-Action Rifle.....	814, 815	Model 35M Bolt-Action Rifle	836	7.62x39mm Autoloading Carbine.....	860
Model 110CL Bolt-Action Rifle.....	815	Model 440 Over/Under Shotgun	837	SMITH & WESSON	
Model 110D Bolt-Action Rifle.....	814	Model 440A Over/Under Shotgun.....	837	Model 1000 Autoloading Shotgun.....	861
Model 110E Bolt-Action Rifle	813, 816	Model 440T Over/Under Shotgun	837	Model 1500 Deluxe Bolt-Action Rifle ...	862
Model 110E Series J Bolt-Action Rifle ..	814	Model 550 Side-by-Side Shotgun.....	838	Model 3000 Slide-Action Shotgun	863
Model 110E Series K Bolt-Action Rifle..	814	Model 6J Autoloading Rifle	839	Model 916 Slide-Action Shotgun	864
Model 110F Bolt-Action Rifle	816	Model 6JDL Autoloading Rifle.....	839	SPRINGFIELD	
Model 110M Bolt-Action Rifle	813	Model 6M Autoloading Rifle	839	(SEE ALSO STEVENS)	
Model 110P Bolt-Action Rifle	813	Model 6N Autoloading Rifle	839	Model 1861 Musket.....	865
Model 110PE Bolt-Action Rifle.....	813	Model 6P Autoloading Rifle.....	839	Model 1873 Rifle	866
Model 110V Bolt-Action Rifle	816	Model 60 & 90 Autoloading Rifle.....	840	Model 1903 A-1 Bolt-Action Rifle.....	867
Model 111 Series J Bolt-Action Rifle ...	817	Model 67 Series C and E Slide-Action Shotgun	841	Model 1903 A-3 Bolt-Action Rifle.....	867
Model 112 Series J Bolt-Action Rifle ...	818	Model 71 Single Shot Rifle.....	842	Model 1922 M2 Bolt-Action Rifle	868
Model 170 Series A and B Slide-Action Rifle.....	819	Model 72 Single Shot Rifle.....	843	Model 511 Series A Side-by-Side Shotgun	869
Model 170C Series A and B Slide-Action Rifle.....	819	Model 720 Autoloading Shotgun.....	844	Model 67 Slide-Action Shotgun	870
Model 219L Single Shot Rifle	820	Model 74 Single Shot Rifle.....	843	Model 67-T Slide-Action Shotgun.....	870
Model 219LD Single Shot Rifle	820	Model 745 Autoloading Shotgun.....	844	Model 67VR Slide-Action Shotgun.....	870
Model 220L Single Shot Shotgun	820	Model 750 Autoloading Shotgun.....	844	Model 67VR-T Slide-Action Shotgun ...	870
Model 220LD Single Shot Shotgun.....	820	Model 750C Autoloading Shotgun	844	Model 67 Series B Slide-Action Shotgun	871
Model 23B Bolt-Action Rifle.....	821	Model 79 Slide-Action Shotgun	845	Model 67 Slug Slide-Action Shotgun....	872
Model 23C Bolt-Action Rifle.....	821	Model 79VR Slide-Action Shotgun.....	845	Model 69N Slide-Action Shotgun.....	872
Model 23D-19H Bolt-Action Rifle.....	821	Model 79VR-T Slide-Action Shotgun....	845	Model 69R Slide-Action Shotgun.....	872
Model 24 Series M, P and S Combo.....	822	Model 79-T Slide-Action Shotgun.....	845	Model 69RXL Slide-Action Shotgun.....	872
Model 2400 Combo.....	823	Model 99 Lever-Action Rifle	846	Model 944 Series A Single Shot Shotgun	873
Model 242 Series C and D Over/Under Shotgun	824	Model 99A Lever-Action Rifle	846	Model 944Y Series A Single Shot Shotgun	873
Model 24C Series M, P and S Combo..	822	Model 99C Series A Lever-Action Rifle (Serial No. 1,000,000+)	848	SPRINGFIELD ARMORY	
Model 24D Series M, P and S Combo..	822	Model 99CD Series A Lever-Action Rifle	849	M1A Autoloading Rifle.....	874
Model 24MS Over/Under Combo	825	Model 99DE Series A Lever-Action Rifle (Serial No. 1,000,000+)	848	SAR-3 Autoloading Rifle.....	875
Model 24MSD Over/Under Combo.....	825	Model 99DL(M) Series A Lever-Action Rifle (Serial No. 1,000,000+)	848	SAR-48 Autoadling Rifle.....	876
Model 24MSE Over/Under Combo	825	Model 99E Series A Lever-Action Rifle (Serial No. 1,000,000+)	848	STEVENS AND STEVENS/ SPRINGFIELD	
Model 24S Over/Under Combo	825	Model 99F Series A Lever-Action Rifle (Serial No. 1,000,000+)	848	Model 311 Side-by-Side Shotgun.....	877
Model 24SD Over/Under Combo	825	Model 99PE Series A Lever-Action Rifle (Serial No. 1,000,000+)	848	Model 39A Bolt-Action Shotgun	878
Model 24SE Over/Under Combo	825				
Model 24V Combo	826				
Model 24V-A Combo.....	826				
Model 30 Series D, E and F Slide-Action Shotgun	827				
Model 30 & Stevens Variants Slide-Action Shotgun	828				
Model 30D Slide-Action Shotgun.....	829				
Model 30E Slide-Action Shotgun.....	829				
Model 30H Slide-Action Shotgun.....	829				
SAVAGE/ANSCHUTZ					
Mark 12 Bolt-Action Rifle	850				
SAVAGE/STEVENS					
Model 89 Lever-Action Rifle	851				

Model 530A Side-by-Side Shotgun	881
Model 311C Side-by-Side Shotgun	881
Model 311D Side-by-Side Shotgun	881
Model 311E Side-by-Side Shotgun.....	881
Model 311F Side-by-Side Shotgun.....	881
Model 58 Series E and F Bolt-Action Shotgun	882
Model 51 Series E and F Bolt-Action Shotgun	882
Model 58A Bolt-Action Shotgun	883
Model 58B Bolt-Action Shotgun	883
Model 58C Bolt-Action Shotgun	883
Model M-51 Bolt-Action Shotgun	883
Model 58D Bolt-Action Shotgun	884
Model 58DAC Bolt-Action Shotgun	884
Model 18D Bolt-Action Shotgun	884
Model 18DAC Bolt-Action Shotgun	884
Model 77D Series A Slide-Action Shotgun	885
Model 77E Series A Slide-Action Shot..	885
Model 77EM Series A Slide-Action Shot- gun.....	885
Model 77F Series A Slide-Action Shotgun	885
Model 77H Series A Slide-Action Shotgun	885
Model 77M Series A Slide-Action Shotgun	885
Model 940 Single Shot Shotgun	886
Model 940D Single Shot Shotgun	886
Model 940DY Single Shot Shotgun.....	886
Model 940E Single Shot Shotgun	886
Model 940EY Single Shot Shotgun.....	886
Model 9478 Single Shot Shotgun	887
Model 95 Single Shot Shotgun	886
Model 9478 Single Shot Shotgun	888
Model 94B, 94BT, 94C, 94Y, 107, 107BT, and 107C Single Shot Shotgun	889
STEYR AUG	
Autoloading Rifle	890
STEYR-MANLICHER	
Luxus Model L Bolt-Action Rifle.....	891
Luxus Model M Bolt-Action Rifle	891
Model L Bolt-Action Rifle	892
Model M Bolt-Action Rifle	892
Model S Bolt-Action Rifle	892
Model S/T Bolt-Action Rifle.....	892
Model SL Bolt-Action Rifle	892
STEYR	
Model 1895 Straight-Pull Rifle	893
STOEGER	
Condor I Over/Under Shotgun	894
Condor II Over/Under Shotgun	894
Coachgun Side-by-Side Shotgun	895
Uplander Side-by-Side Shotgun	895
SWEDISH MAUSER	
Model 94 Bolt-Action Rifle	896
Model 96 Bolt-Action Rifle	896
SWISS	
Model 1889 Straight-Pull Rifle	897
THOMPSON/CENTER	
Contender Single Shot Carbine	898
TOKAREV	
Model 38 Bolt-Action Rifle	899
Model 40 Bolt-Action Rifle	899

TYPICAL AUSTRIAN

Side-by-Side Shotgun.....	900
---------------------------	-----

TYPICAL PENNSYLVANIA

Flintlock Rifle	901
-----------------------	-----

UBERTI

Henry Lever-Action Carbine	902
Model 1866 Yellowboy Lever-Action Rifle	903
Model 1873 Lever-Action Carbine.....	904
Model 1875 Remington Revolving Carbine	905

U.S.

M-1 Autoloading Carbine	906
M-1 Garand Autoloading Rifle.....	907
M-14 Autoloading Rifle.....	908

UZI

Autoloading Carbine.....	909
--------------------------	-----

VALMET

412 Combo.....	910
Hunter Autoloading Rifle	911

WEATHERBY

Athena Over/Under Shotgun.....	912
Orion Over/Under Shotgun	912
Centurion Autoloading Shotgun.....	913
Mark V Bolt-Action Rifle	914
Mark XXII (Clip) Autoloading Rifle.....	915
Mark XXII (Tube) Autoloading Rifle (Pre-1982)	916
Mark XXII (Tube) Autoloading Rifle (Post-1982)	917
Model 82 Autoloading Shotgun.....	918
Model 92 Slide-Action Shotgun	919
Patrician Slide-Action Shotgun	920
Vanguard Bolt-Action Rifle (Pre-1981) ..	921
Vanguard Bolt-Action Rifle (Post-1981)..	922

WESTERNFIELD

Model SB-100B Single Shot Shotgun...	923
Model SB-300 Side-by-Side Shotgun...	924
Model SB-312 Side-by-Side Shotgun...	925
Model SB-808C Autoloading Rifle	926
Model SB-836 Autoloading Rifle.....	927

WILKINSON

Terry Autoloading Carbine.....	928
--------------------------------	-----

WINCHESTER

Model 1 Super X Autoloading Shotgun.	929
Model 100 Autoloading Rifle	930
Model 101 Over/Under Shotgun	931
Model 12 Slide-Action Shotgun	932
Model 1200 Slide-Action Shotgun	933
Model 121 & 131 Bolt-Action Rifle	934
Model 1300 XTR Slide-Action Shotgun	935
Model 1400 Autoloading Shotgun.....	936
Model 1400 Mark II & Ranger Autoloading Shotgun	936
Model 141 Bolt-Action Rifle	937
Model 150 & 190 Lever-Action Rifle.....	938
Model 1500 XTR Autoloading Shotgun	939
Model 1873 Lever-Action Rifle	940
Model 1885 Single Shot Rifle	941
Model 1886 Lever-Action Rifle	942
Model 1892 Lever-Action Rifle	943

Model 1897 Slide-Action Shotgun	944
Model 1905 Autoloading Rifle	945
Model 1907 Autoloading Rifle	946
Model 43 Bolt-Action Rifle	947
Model 21 Side-by-Side Shotgun.....	948
Model 23 XTR Side-by-Side Shotgun...	949
Model 24 Side-by-Side Shotgun.....	950
Model 25 Slide-Action Shotgun	951
Model 250 Lever-Action Rifle	952
Model 255 Lever-Action Rifle	952
Model 270 Lever-Action Rifle	952
Model 275 Lever-Action Rifle	952
Model 290 Lever-Action Rifle	952
Model 310 Bolt-Action Rifle	953
Model 320 Bolt-Action Rifle	954
Model 370 Single Shot Shotgun	954
Model 37A, 370, & 840 Single Shot Shotgun	954
Model 490 Autoloading Rifle	955
Model 50 and 59 Autoloading Shotgun.	956
Model 52B Target & Sporting Bolt-Action Rifle.....	957
Model 52C Target & Sporting Bolt-Action Rifle.....	958
Model 52D Target Bolt-Action Rifle.....	959
Model 55 Autoloading Rifle	960
Model 61 Slide-Action Rifle.....	961
Model 62A Slide-Action Rifle	962
Model 63 Autoloading Rifle	963
Model 64A Lever-Action Rifle.....	964
Model 670A Bolt-Action Rifle.....	965
Model 69A Bolt-Action Rifle.....	966
Model 70 Bolt-Action Rifle	967
Model 70 Featherweight Bolt-Action Rifle	967
Model 71 Lever-Action Rifle	968
Model 74 Autoloading Rifle	969
Model 75 Bolt-Action Rifle	970
Model 77 Autoloading Rifle	971
Model 88 Lever-Action Rifle	972
Model 9422 Lever-Action Carbine.....	973
Model 96 Over/Under Shotgun	974
New Model 70 Lightweight Bolt-Action Rifle.....	975
New Model 70A Bolt-Action Rifle.....	976
New Model 770 Bolt-Action Rifle	977
New Model 70 XTR Sporter Bolt-Action Rifle.....	977
New Model 94 Angle Eject Lever-Action Rifle.....	978
New Model 94 Lever-Action Carbine ...	979
New Model 94 Top-Eject Lever-Action Rifle	980
Single Shot Rifle	981

ZOUAVE

Rifle	982
-------------	-----

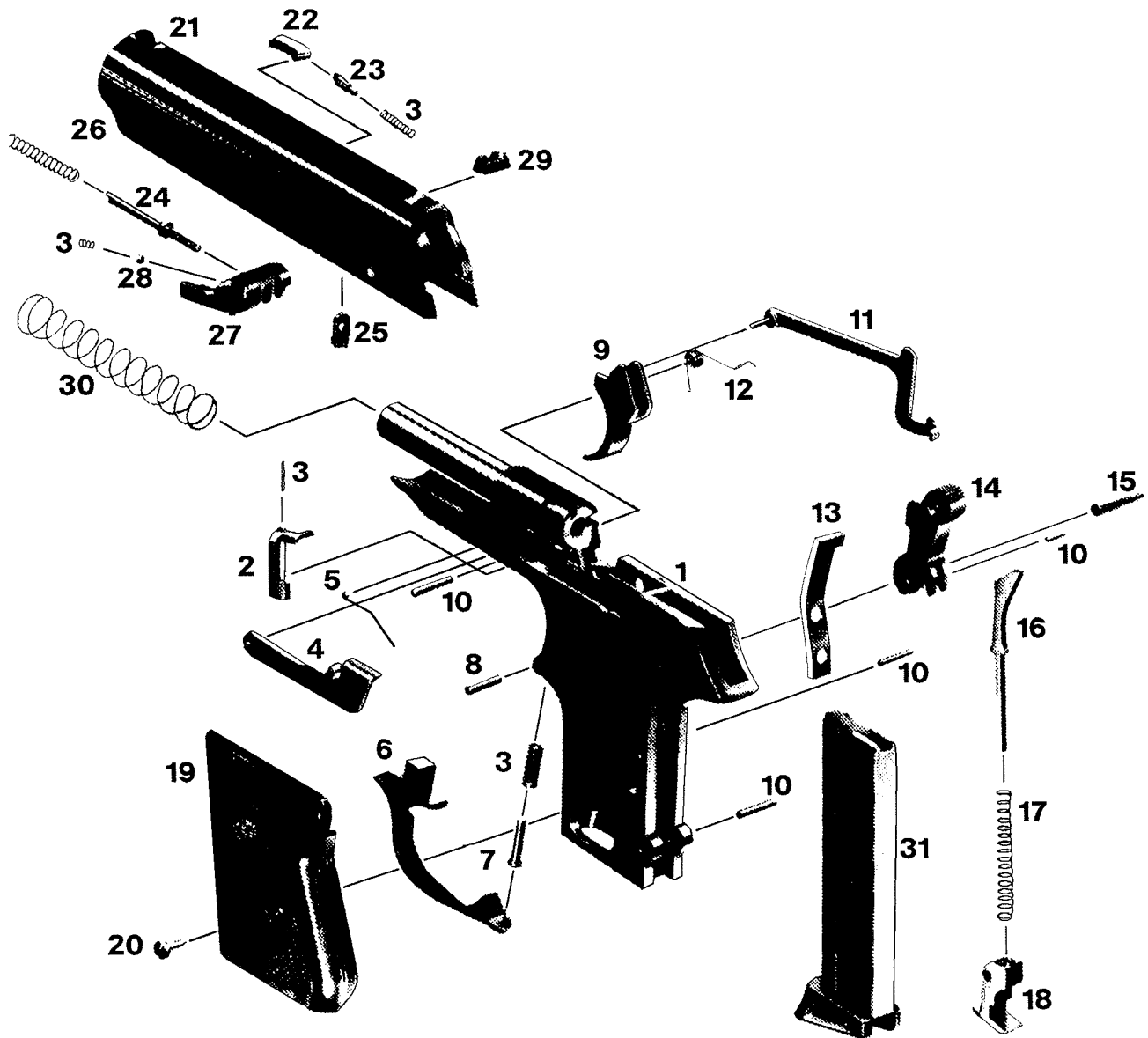
ZOLI

Ariete M1 Side-By-Side Shotgun	983
Delfino Over/Under Shotgun	984

DIRECTORY OF THE ARMS TRADE

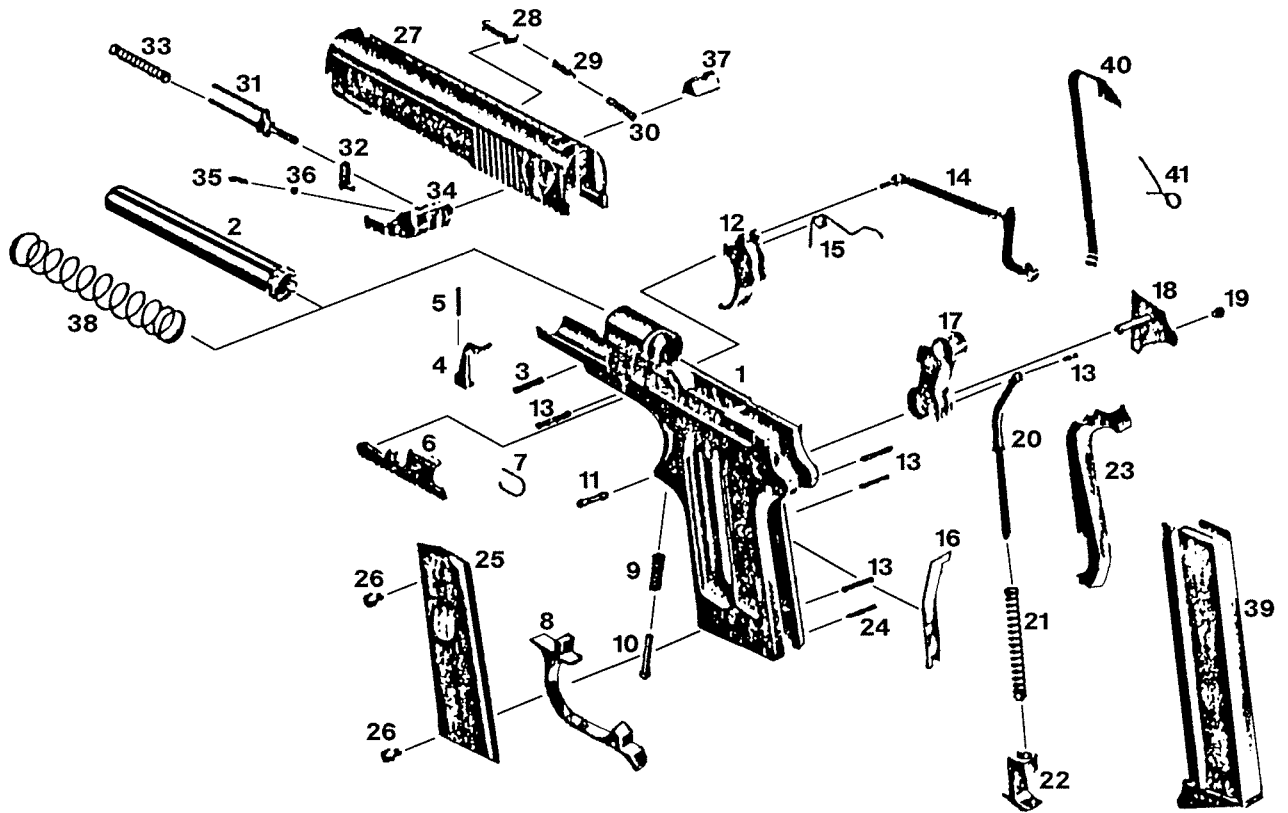
Product & Services Directory	986
Manufacturers' Directory	1002
Periodical Publications	1023
Firearms Associations	1024

CX22/CXC22 Auto

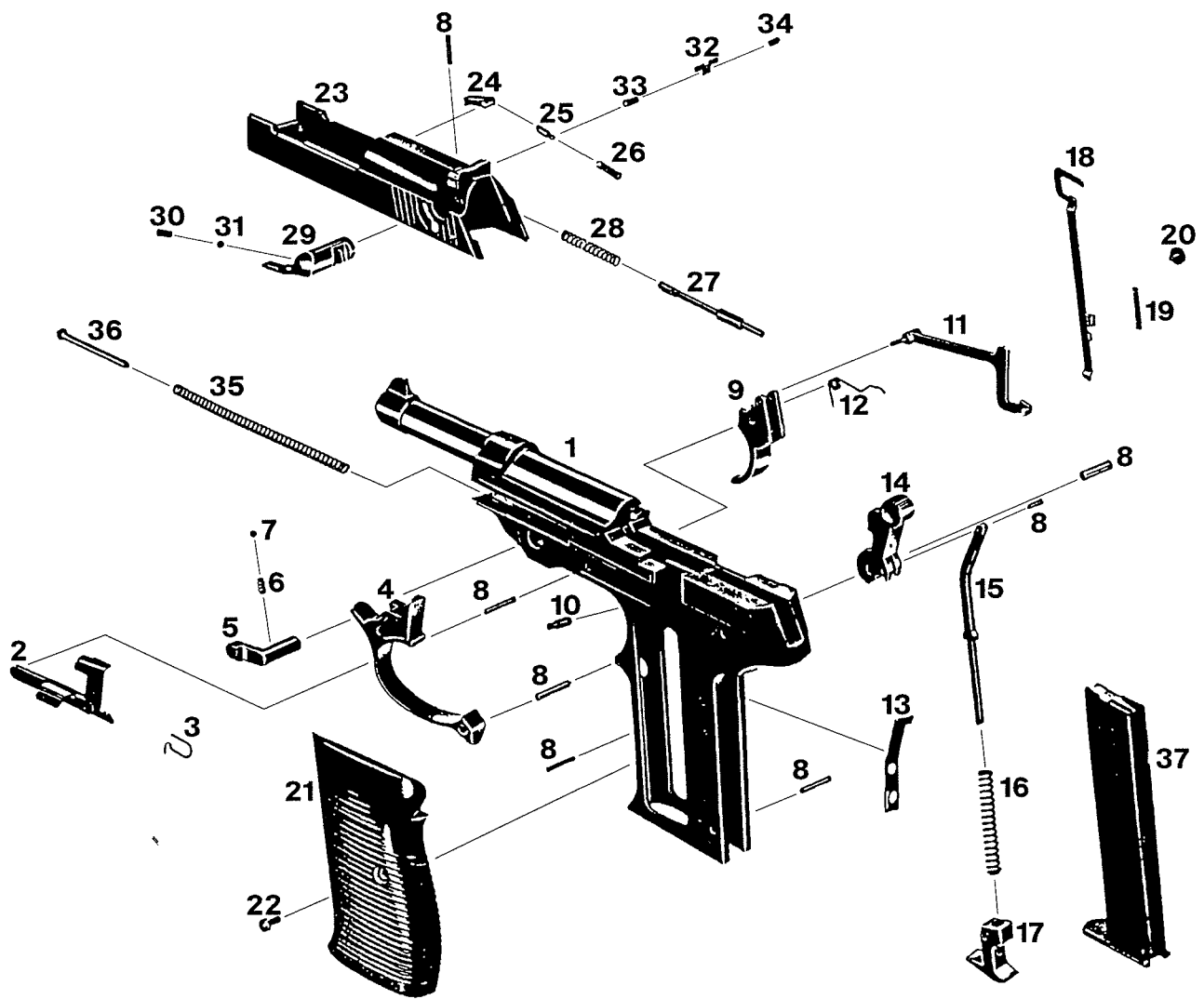


1	Frame	17	Mainspring
2	Firing Pin Stop	18	Magazine Catch
3	Spring	19	Grip Plates
4	Breech Block Catch Link	20	Grip Plate Screw and Bushing
5	Leaf Spring	21	Slide
6	Trigger Guard	22	Extractor
7	Trigger Guard Spring Pin	23	Extractor Pin
8	Trigger Guard Pin	24	Firing Pin
9	Trigger	25	Firing Pin Plug
10	Pin	26	Firing Pin Spring
11	Trigger Bar	27	Safety-Lever
12	Trigger Bar Spring	28	Steel Ball
13	Sear	29	Rear Sight
14	Hammer	30	Recoil Spring
15	Hammer Pin	31	Magazine
16	Mainspring Guide Rod		

EP380 Auto

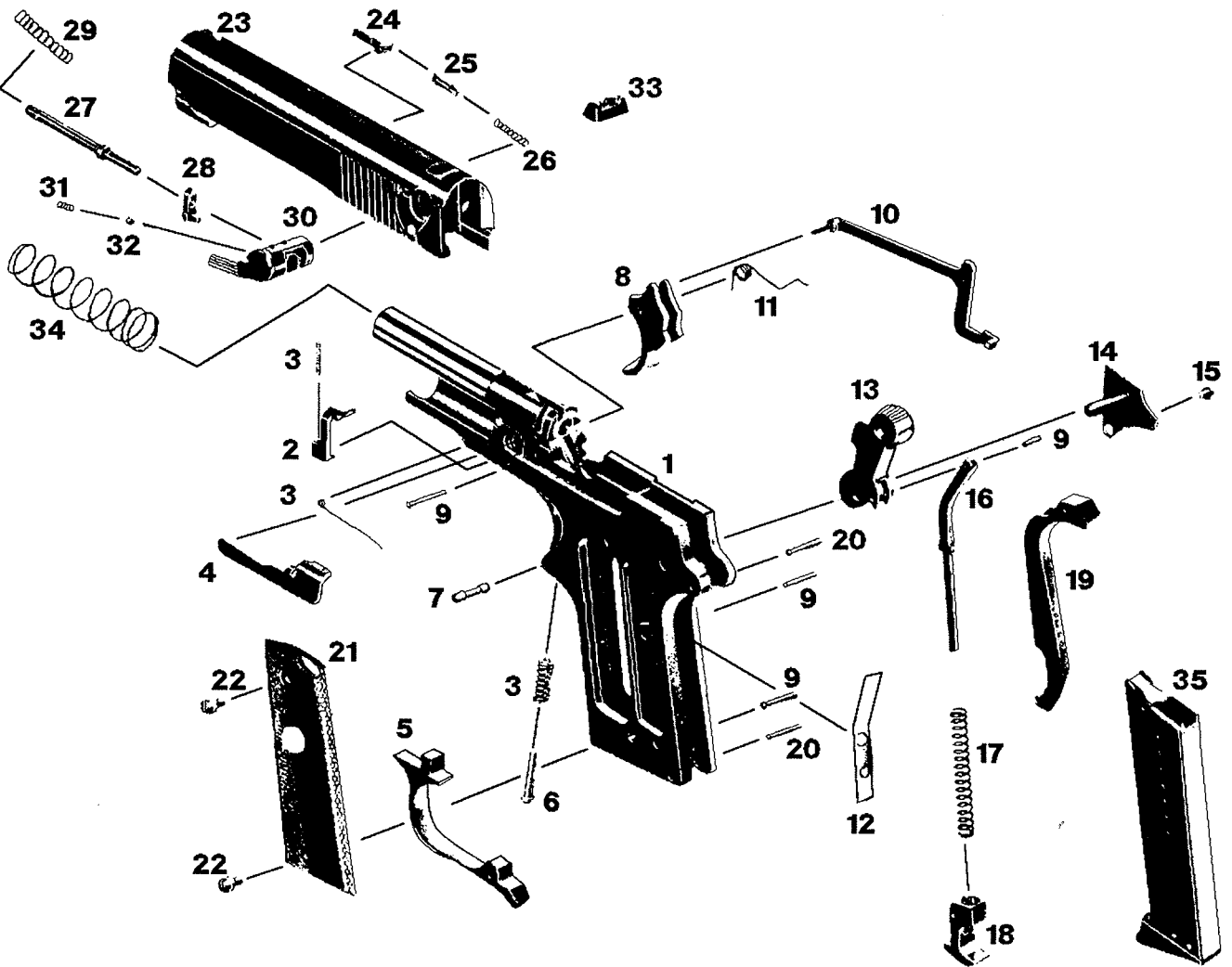


1	Frame	22	Magazine Catch
2	Barrel	23	Backstrap
3	Conical Pin	24	Pin
4	Firing Pin Stop	25	Grip Plates
5	Spring	26	Grip Plate Screws
6	Breech Block Catch Link	27	Slide
7	Breech Block Catch Link Spring	28	Extractor
8	Trigger Guard	29	Extractor Pin
9	Trigger Guard Spring	30	Extractor Spring
10	Trigger Guard Spring Pin	31	Firing Pin
11	Trigger Guard Pin	32	Firing Pin Plug
12	Trigger	33	Firing Pin Spring
13	Cylindrical Pin	34	Safety-Lever
14	Trigger Bar	35	Safety-Lever Spring
15	Trigger Bar Spring	36	Steel Ball
16	Sear	37	Rear Sight
17	Hammer	38	Recoil Spring
18	Sideplate	39	Magazine
19	Screw	40	Magazine Safety-Lever
20	Mainspring Guide Rod	41	Magazine Safety-Lever Spring
21	Mainspring		

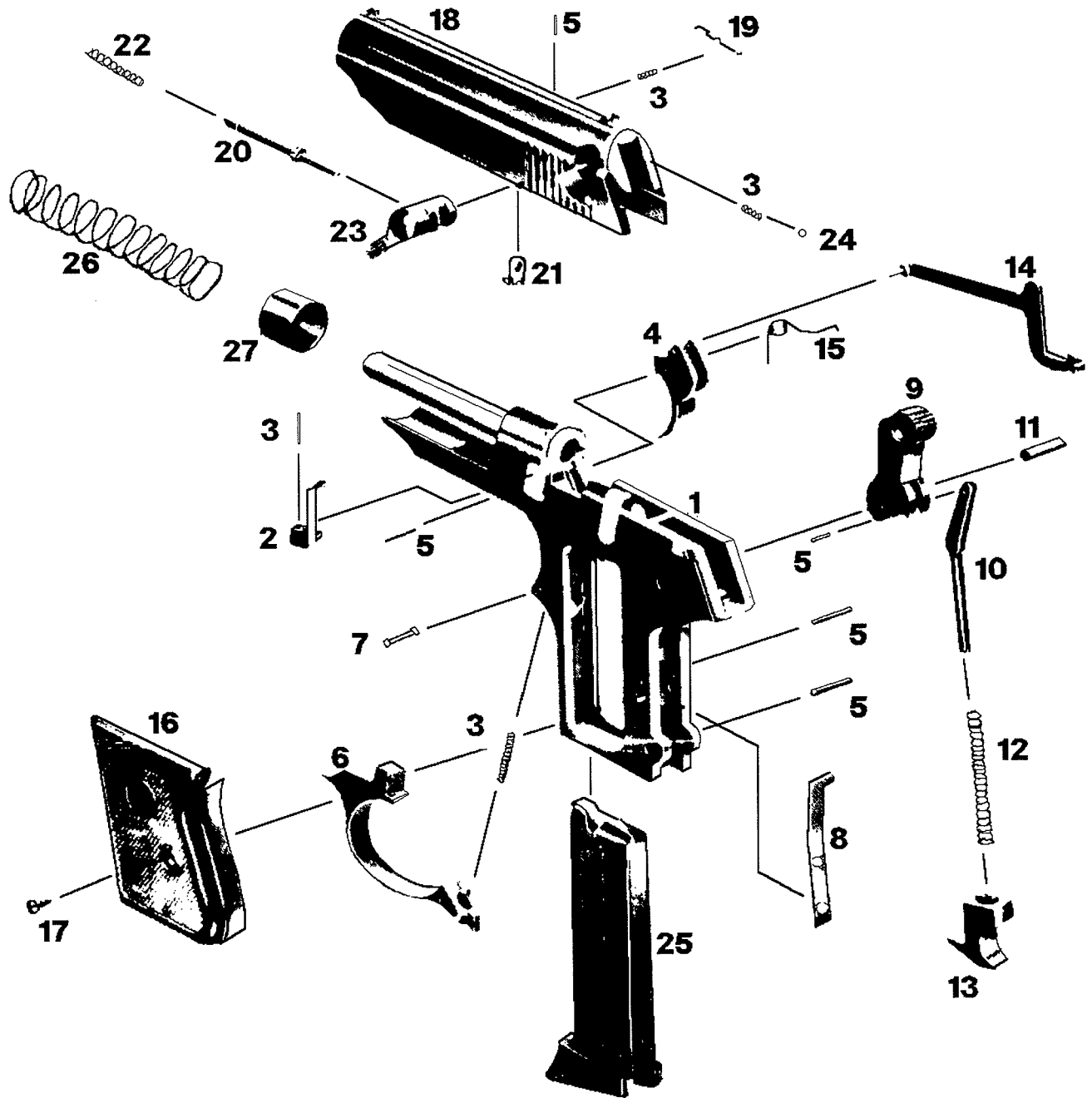


1	Frame	20	Countersunk Screw
2	Breech Block Catch Link	21	Grip Plates
3	Breech Block Catch Link Spring	22	Grip Plate Screw
4	Trigger Guard	23	Slide
5	Locking Lever for Trigger Guard	24	Extractor
6	Spring	25	Extractor Pin
7	Steel Ball	26	Extractor Spring
8	Cylindrical Pin	27	Firing Pin
9	Trigger	28	Firing Pin Spring
10	Set Screw	29	Safety-Lever
11	Trigger Bar	30	Safety-Lever Spring
12	Trigger Bar Spring	31	Steel Ball
13	Sear	32	Rear Sight Blade
14	Hammer	33	Spring
15	Mainspring Guide Rod	34	Rear Sight Windage Screw
16	Mainspring	35	Recoil Spring
17	Magazine Catch	36	Spring Bar
18	Magazine Safety-Lever	37	Magazine
19	Spring		

PK22 Auto

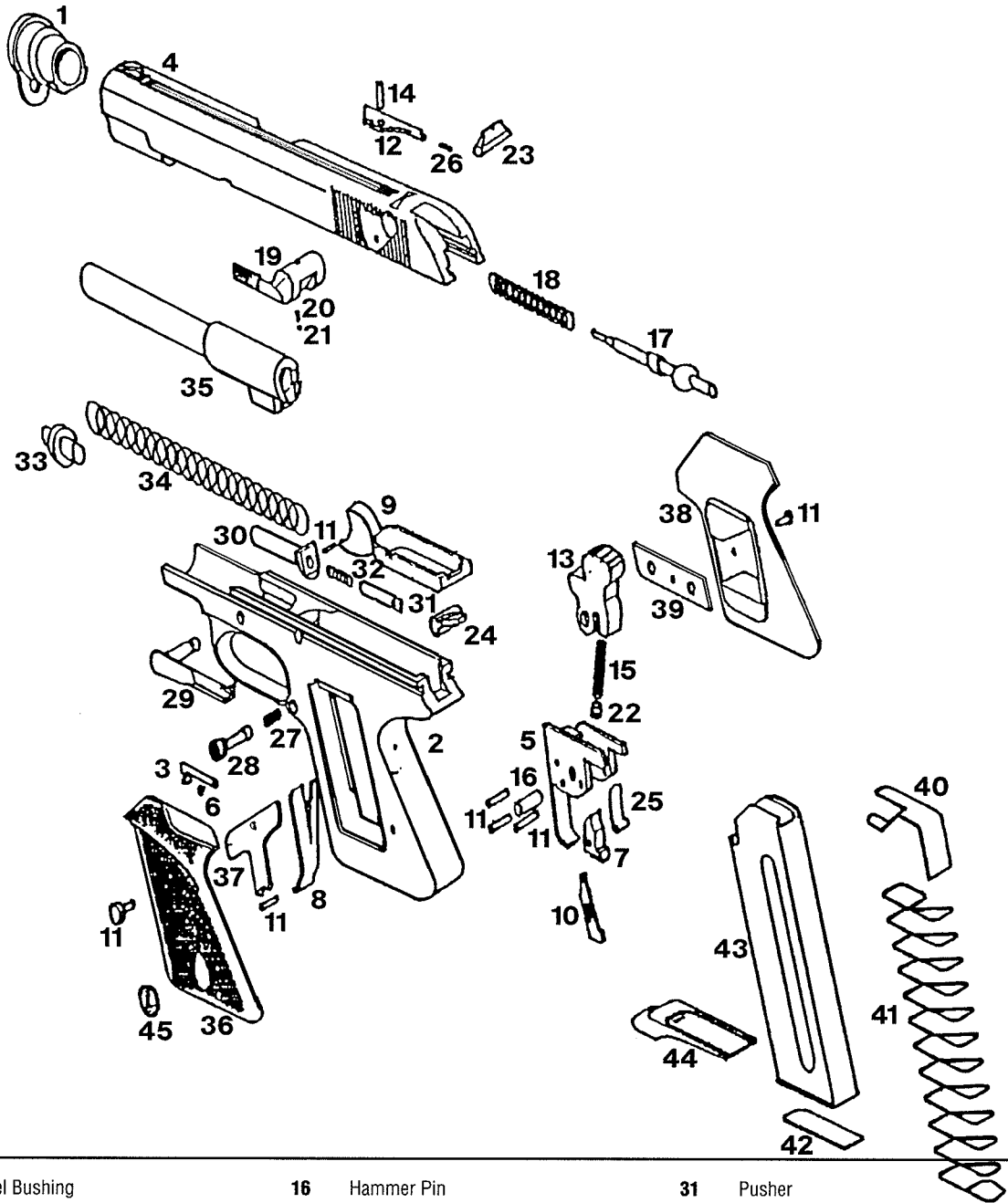


1	Frame	19	Backstrap
2	Firing Pin Stop	20	Pin
3	Spring	21	Grip Plates
4	Breech Block Catch Link	22	Grip Plate Screw
5	Trigger Guard	23	Slide
6	Trigger Guard Spring Pin	24	Extractor
7	Trigger Guard Pin	25	Extractor Pin
8	Trigger	26	Extractor Spring
9	Cylindrical Pin	27	Firing Pin
10	Trigger Bar	28	Firing Pin Plug
11	Trigger Bar Spring	29	Firing Pin Spring
12	Sear	30	Safety-Lever
13	Hammer	31	Safety-Lever Spring
14	Sideplate	32	Steel Ball
15	Screw	33	Rear Sight
16	Mainspring Guide Rod	34	Recoil Spring
17	Mainspring	35	Magazine
18	Magazine Catch		



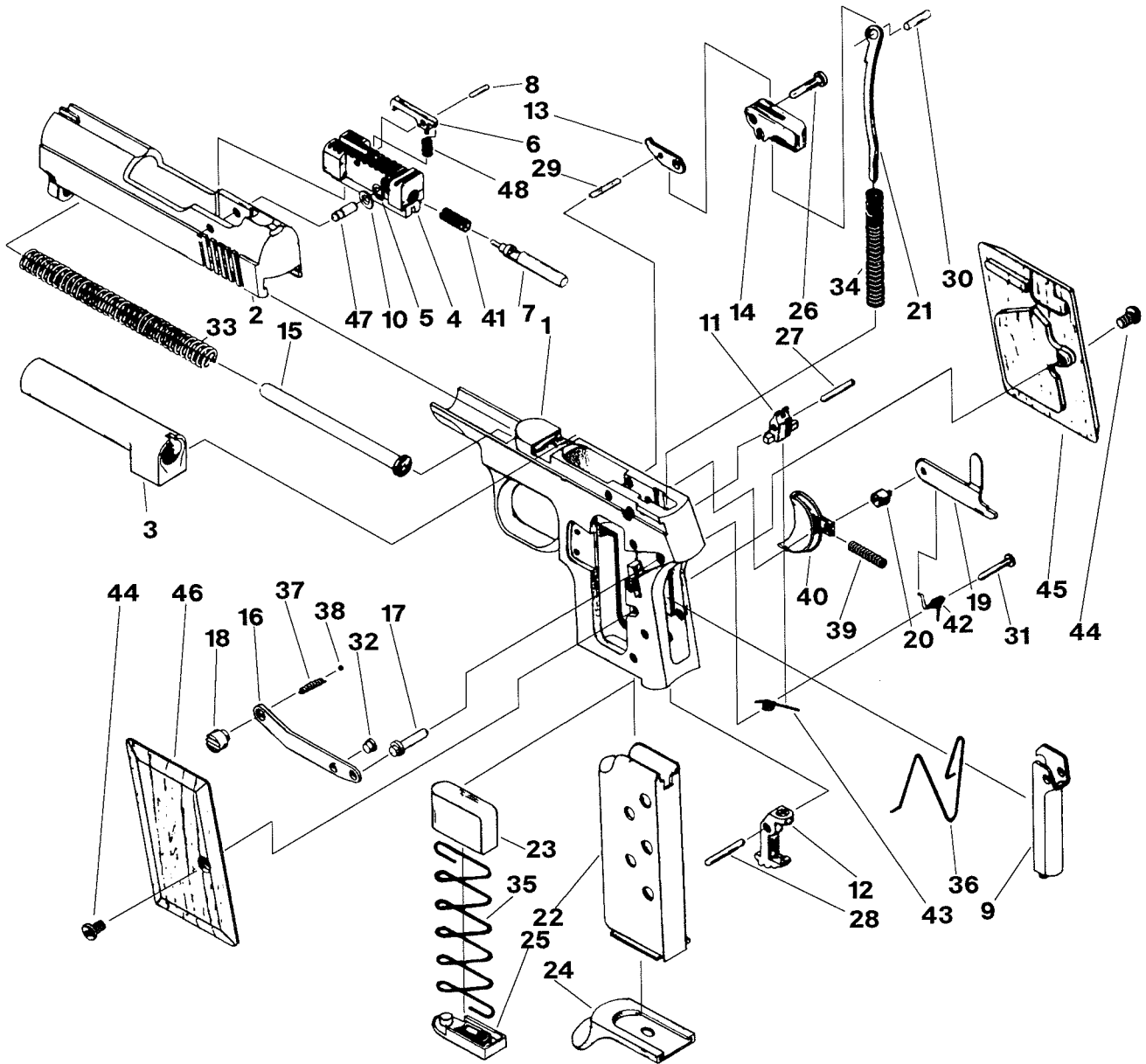
1	Frame	15	Trigger Bar Spring
2	Firing Pin Stop	16	Grip Plates
3	Spring	17	Grip Plate Screw
4	Trigger	18	Slide
5	Cylindrical Pin	19	Extractor
6	Trigger Guard	20	Firing Pin
7	Trigger Guard Pin	21	Firing Pin Plug
8	Sear	22	Firing Pin Spring
9	Hammer	23	Safety-Lever
10	Mainspring Guide Rod	24	Steel Ball
11	Hammer Pin	25	Magazine
12	Mainspring	26	Recoil Spring
13	Magazine Catch	27	Sear Spring Plunger
14	Trigger Bar		

ZC380 Auto



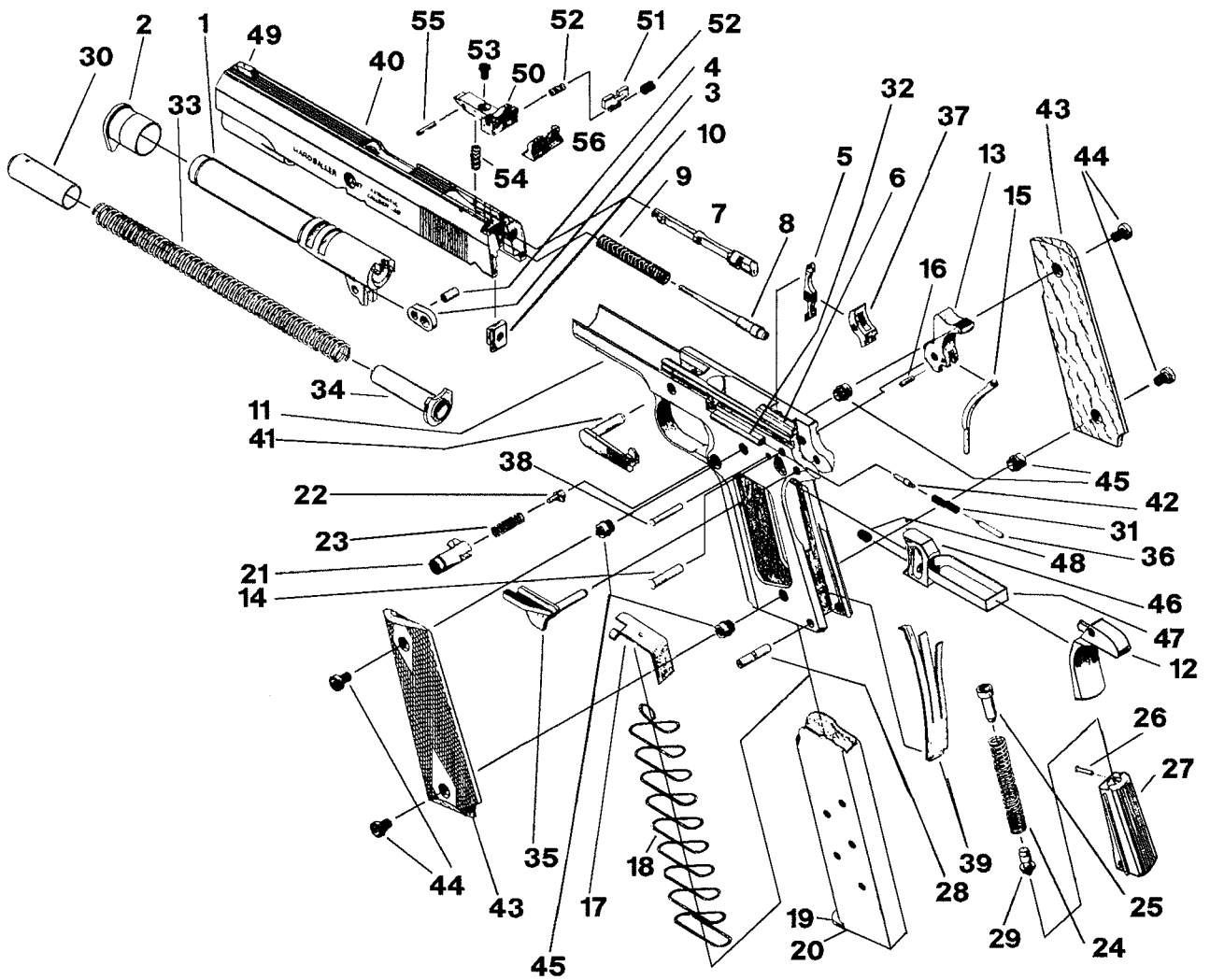
1	Barrel Bushing	16	Hammer Pin	31	Pusher
2	Frame	17	Firing Pin	32	Spring
3	Safety Lock	18	Firing Pin Spring	33	Spindle Plug
4	Slide	19	Safety	34	Recoil Spring
5	Hammer Assembly Housing	20	Spring	35	Barrel
6	Rivet	21	Ball	36	Left-Hand Grip
7	Sear	22	Hammer Spring Plug	37	Left-Hand Cover Lock
8	Trigger Return Spring	23	Rear Sight	38	Right-Hand Grip
9	Trigger	24	Magazine Catch	39	Right-Hand Cover Lock
10	Disconnecter	25	Sear Spring	40	Follower
11	Pin	26	Extractor Spring	41	Follower Spring
12	Extractor	27	Magazine Catch Spring	42	Magazine Bottom Lock
13	Hammer	28	Magazine Catch Spring Guide	43	Magazine
14	Extractor Pin	29	Slide Stop	44	Magazine Bottom Cap
15	Hammer Spring	30	Recoil Spring Guide	45	Zastava Logo

380 Backup Auto



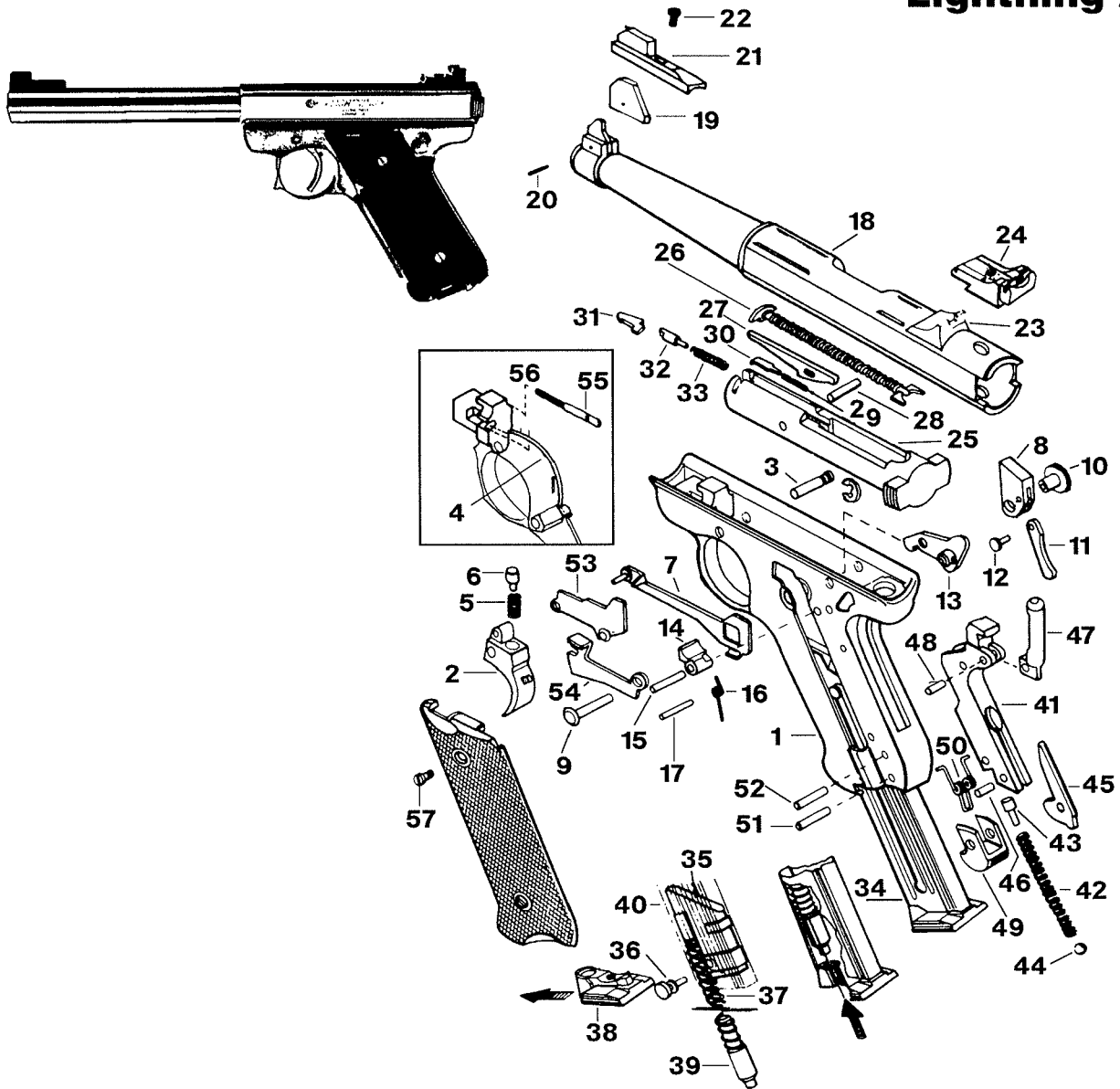
1	Frame	17	Safety Pin	33	Recoil Spring
2	Slide	18	Safety Knob	34	Hammer Spring
3	Barrel	19	Disconnecter	35	Magazine Spring
4	Bolt	20	Disconnecter Pin	36	Arch Housing Spring
5	Snap Ring	21	Strut	37	Safety Spring
6	Extractor	22	Magazine Body	38	Safety Spring Ball
7	Firing Pin	23	Magazine Follower	39	Trigger Spring
8	Extractor Pin	24	Magazine Floorplate Extension	40	Trigger
9	Arch Housing	25	Magazine Floorplate	41	Firing Pin Spring
10	Washer	26	Hammer Pin	42	Disconnecter Spring
11	Sear	27	Sear Pin	43	Sear Spring
12	Magazine Latch	28	Magazine Latch Pin	44	Grip Screw
13	Ejector	29	Ejector Pin	45	Grip (Right)
14	Hammer	30	Hammer Strut Pin	46	Grip (Left)
15	Recoil Rod	31	Sear Disconnecter Spring Pin	47	Bolt Retaining Pin
16	Safety	32	Safety Stop Pin	48	Extractor Spring

45 Hardball, Combat and Longslide Autos



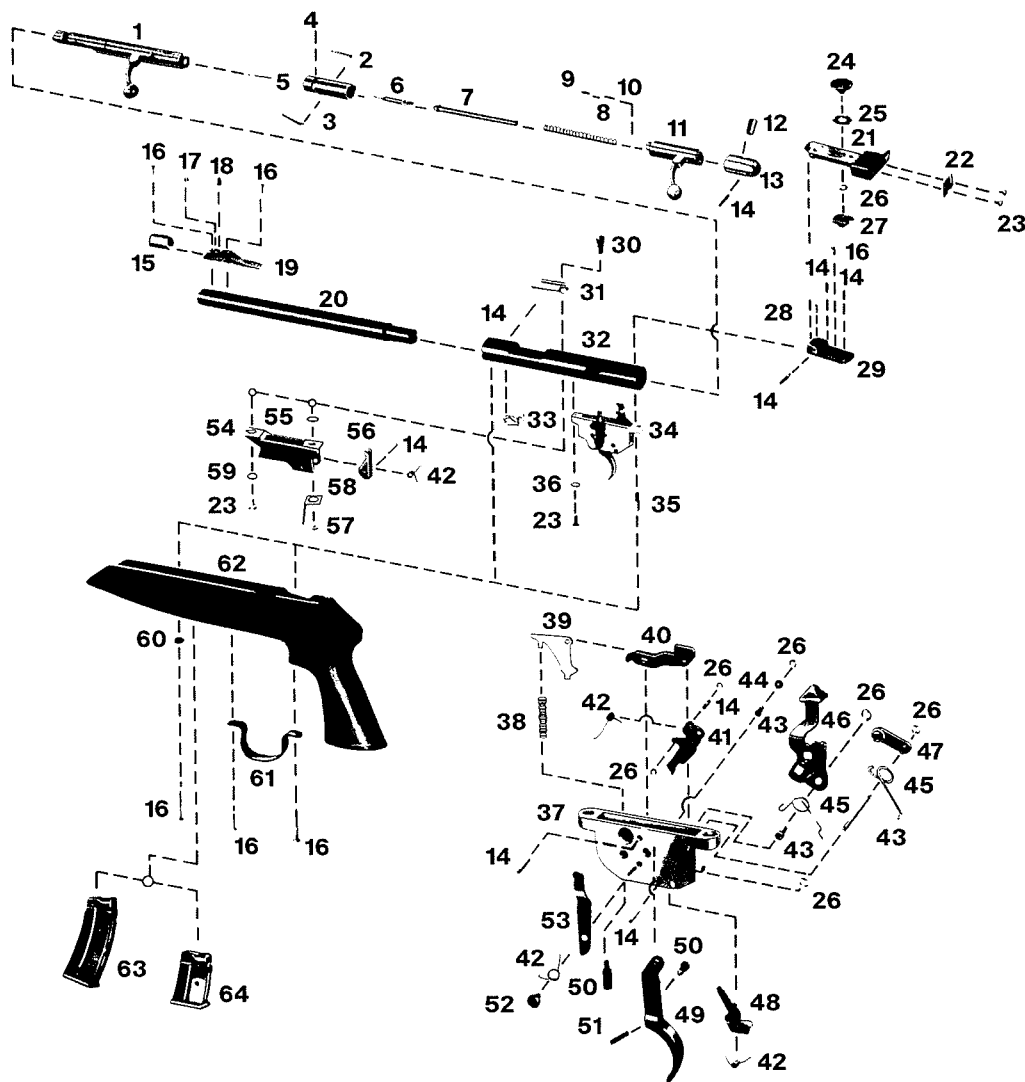
1	Barrel	21	Magazine Catch Assembly	41	Slide Stop
2	Barrel Bushing	22	Magazine Catch Retainer	42	Slide Stop Plunger
3	Barrel Link	23	Magazine Catch Spring	43	Grips (Black Neoprene)
4	Barrel Link Pin	24	Mainspring	44	Stock Screws
5	Disconnecter	25	Mainspring Cap	45	Stock Screw Bushings
6	Ejector	26	Mainspring Cap Pin	46	Trigger
7	Extractor	27	Mainspring Housing	47	Trigger Bar
8	Firing Pin	28	Mainspring Housing Pin	48	Trigger Stop Adjustment Screw
9	Firing Pin Spring	29	Mainspring Housing Pin Retainer	49	Front Sight
10	Firing Pin Stop	30	Recoil Spring Plug	50	Rear Sight Base
11	Frame	31	Plunger Spring	51	Rear Sight Blade
12	Grip Safety	32	Plunger Tube	52	Rear Sight Windage Screws
13	Hammer	33	Recoil Spring	53	Rear Sight Elevation Screw
14	Hammer Pin	34	Recoil Spring Guide	54	Rear Sight Elevation Screw Spring
15	Hammer Strut	35	Safety Lock	55	Rear Sight Base Pin
16	Hammer Strut Pin	36	Safety Lock Plunger	56	Rear Sight, Fixed
17	Magazine Follower	37	Sear	Parts Not Shown	
18	Magazine Spring	38	Sear Pin	Ejector Pin	
19	Magazine Floorplate	39	Sear Spring		
20	Magazine Body	40	Slide		

Lightning Auto



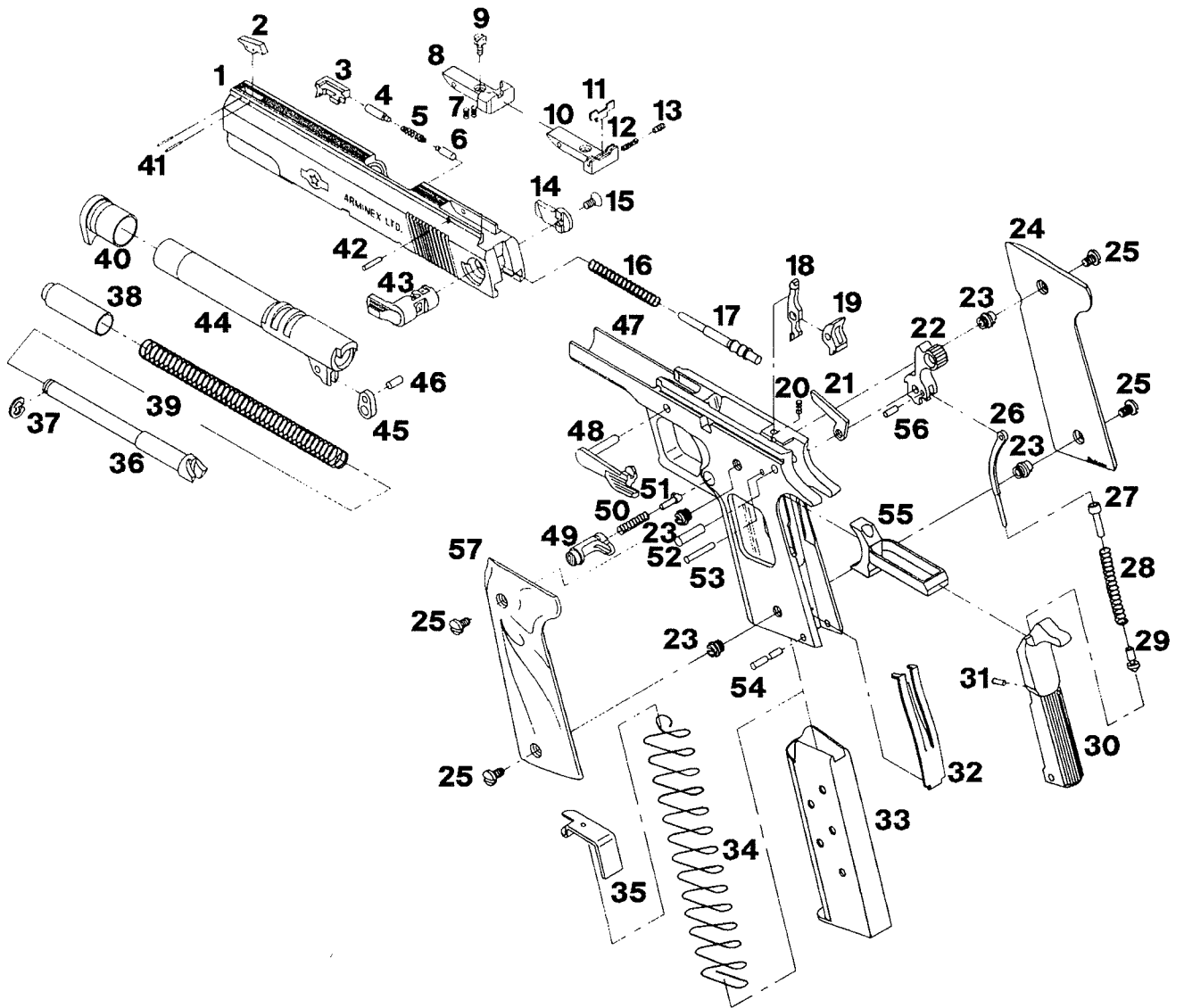
1	Grip Frame	20	Front Sight Pin	39	Magazine Floorplate Retainer
2	Trigger with Adjustment Screw	21	Front Sight (Ramp Style)	40	Magazine Body
3	Trigger Pin	22	Ramp Sight Screw	41	Mainspring Housing
4	Trigger Pin Retainer	23	Rear Sight (Standard Model)	42	Mainspring
5	Trigger Spring	24	Rear Sight (Adjustable)	43	Mainspring Plunger
6	Trigger Spring Plunger	25	Bolt	44	Detent Ball
7	Disconnecter	26	Recoil Spring Assembly	45	Housing Latch
8	Hammer	27	Firing Pin	46	Housing Latch Pin
9	Hammer Pin	28	Firing Pin Stop	47	Bolt Stop Pin
10	Hammer Bushing	29	Firing Pin Spring	48	Bolt Stop Pin Pivot
11	Hammer Strut	30	Firing Pin Spring Support	49	Magazine Latch
12	Hammer Strut Pin	31	Extractor	50	Magazine Latch Spring
13	Safety (Complete)	32	Extractor Plunger	51	Magazine Latch Pin
14	Sear	33	Extractor Spring	52	Magazine Latch Stop Pin
15	Sear Pin	34	Magazine (Complete)	53	Bolt Stop Assembly
16	Sear Spring	35	Magazine Follower	54	Bolt Stop Thumb-Piece
17	Sear Spring Stop Pin	36	Magazine Follower Button	55	Bolt Stop Plunger
18	Barrel/Receiver Assembly	37	Magazine Spring	56	Bolt Stop Plunger Spring
19	Front Sight Blade	38	Magazine Floorplate	57	Grip Screws

Exemplar Bolt Action



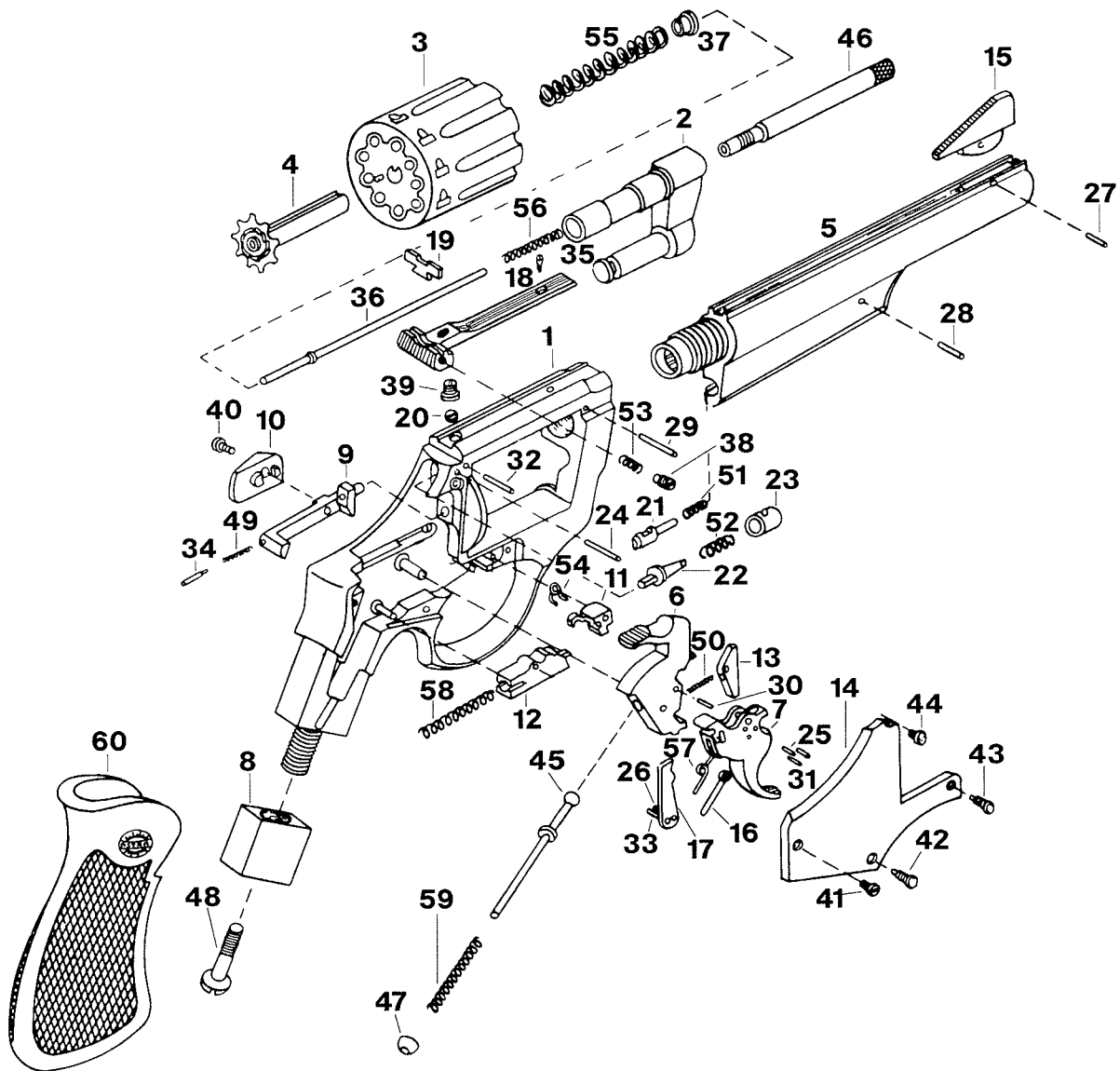
1	Bolt Assembly	23	Pan Head Screw	45	Spring
2	Extractor	24	Elevation Screw	46	Safety-Lever
3	Cartridge Retainer	25	Click Spring	47	Catch Lever
4	Spring Clamp	26	Retaining Collar	48	Release Latch
5	Bolt Head	27	Screw Socket	49	Trigger
6	Firing Pin	28	Compression Spring	50	Adjusting Screw
7	Striker Pin	29	Rear Sight Base	51	Set-Screw
8	Striker Spring	30	Ejector	52	Shoulder Screw
9	Catch Bolt	31	Bolt Guide	53	Bolt Release Lever
10	Catch Bolt Spring	32	Receiver	54	Magazine Guide
11	Bolt with Handle	33	Cartridge Guide	55	Distance Ring
12	Guide Bolt	34	Two-Stage Trigger Assembly	56	Magazine Retainer
13	Cocking Piece	35	Hexagon Threaded Bolt	57	Nut
14	Cylindrical Pin	36	Toothed Lock Washer	58	Guide Tongue
15	Front Sight Hood	37	Trigger Housing	59	Spring Washer
16	Countersunk Head Screw	38	Trigger Spring	60	Sleeve
17	Safety Plug	39	Cam Lever	61	Trigger Guard
18	Front Sight	40	Release Plunger	62	Stock with Partial Fittings
19	Front Sight Base	41	Catch Link	63	10-Shot Magazine
20	Barrel	42	Torsional Spring	64	5-Shot Magazine
21	Rear Sight Flap	43	Pivot		
22	Rear Sight Blade	44	Washer		

Trifire Auto



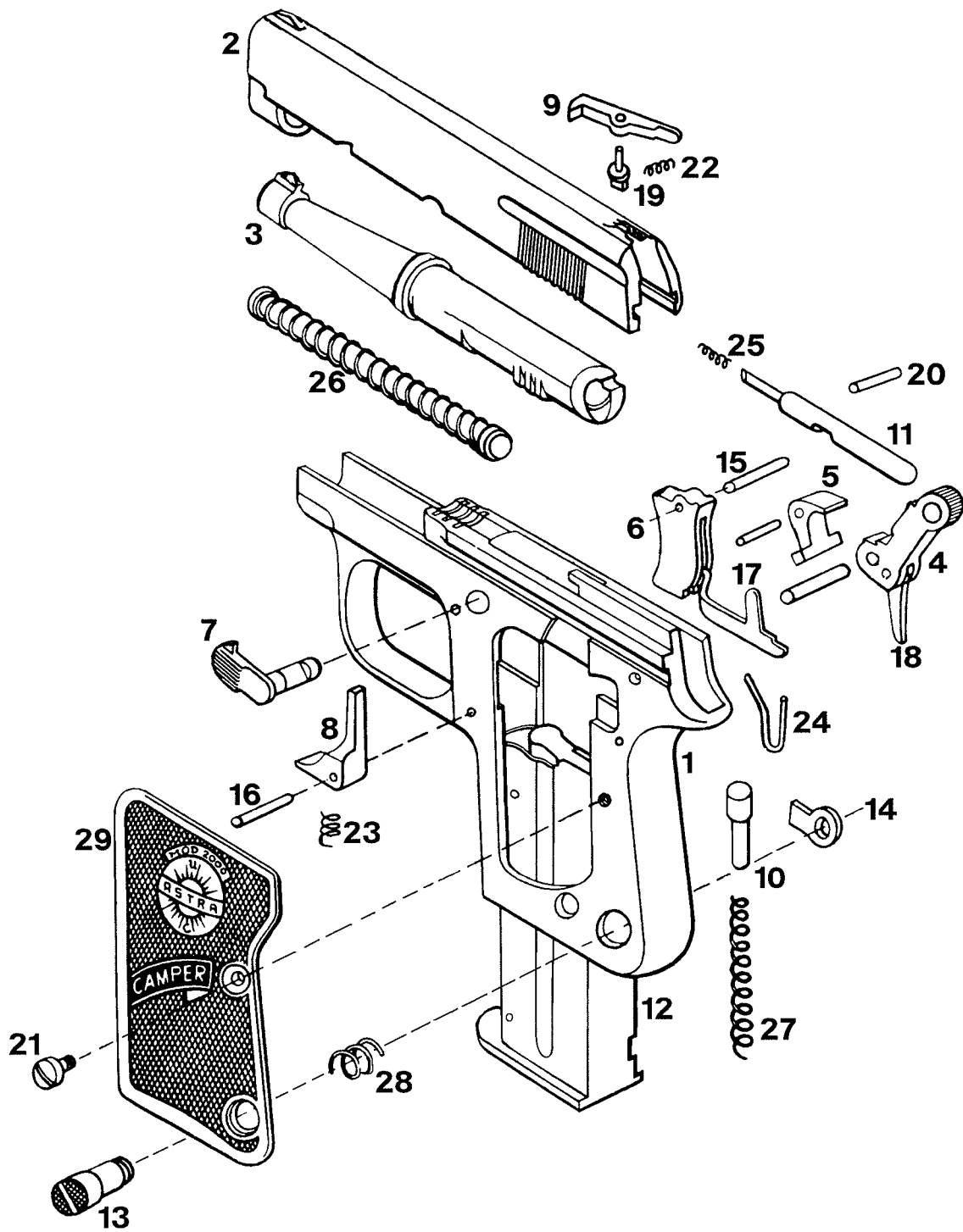
1	Slide	20	Ejector Spring	38	Recoil Spring Plug
2	Front Sight	21	Ejector	39	Recoil Spring
3	Extractor	22	Hammer	40	Barrel Bushing
4	Extractor Plunger	23	Grip Screw Bushings	41	Front Sight Pin
5	Extractor Spring	24	Grips	42	Rear Sight Pin
6	Safety Plunger	25	Grip Screws	43	Firing Pin Lock, Left
7	Rear Sight Elevation Spring	26	Hammer Strut	44	Barrel
8	Rear Sight, Fixed	27	Mainspring Cap	45	Barrel Link
9	Rear Sight Elevation Screw	28	Mainspring	46	Barrel Pin
10	Rear Sight, Adjustable	29	Mainspring Housing	47	Frame
11	Rear Sight Blade		Pin Retainer	48	Slide Stop
12	Rear Sight Windage Spring	30	Backstrap	49	Magazine Catch
13	Rear Sight Windage Screw	31	Mainspring Cap Pin	50	Magazine Spring
14	Firing Pin Lock, Right	32	Sear Spring	51	Magazine Catch Guide
15	Firing Pin Lock Screw	33	Magazine	52	Hammer Pin
16	Firing Pin Spring	34	Magazine Spring	53	Sear Pin
17	Firing Pin	35	Magazine Follower	54	Mainspring Housing Pin
18	Disconnecter	36	Recoil Spring Guide Rod	55	Trigger
19	Sear	37	Recoil Spring Clip	56	Hammer Strut Pin

Cadix Revolver



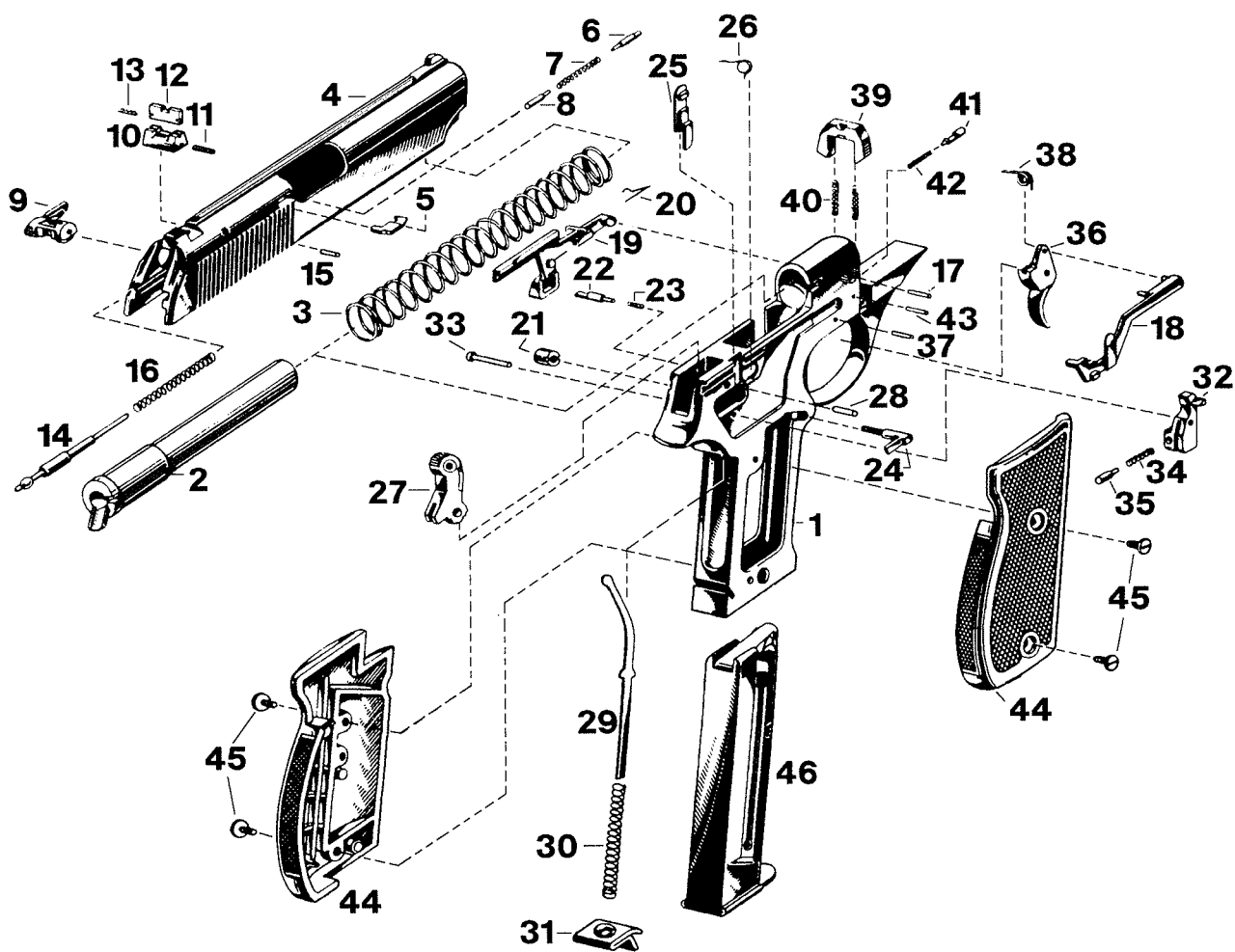
1	Frame	21	Locking Bolt	41	Flat Head Sideplate Screw
2	Crane	22	Firing Pin	42	Rear Sideplate Screw
3	Cylinder	23	Firing Pin Bushing	43	Front Sideplate Screw
4	Extractor	24	Firing Pin Retaining Pin	44	Top Sideplate Screw
5	Barrel	25	Lever Spring Pin	45	Hammer Strut
6	Hammer	26	Lever Spring Collar Pin	46	Extractor Rod
7	Trigger	27	Front Sight Pin (Not for 2")	47	Mainspring Cap
8	Grip Adjusting Block (Not for 2")	28	Locking Bolt Pin	48	Grip Adjusting Screw (Not for 2")
9	Bolt	29	Barrel Pin	49	Bolt Spring
10	Thumb-Piece	30	Sear Pin	50	Sear Spring
11	Cylinder Stop	31	Hand Torsion Spring Pin	51	Locking Bolt Spring
12	Rebound Slide	32	Firing Pin Bushing Retaining Pin	52	Firing Pin Spring
13	Sear	33	Cylinder Lever Pin	53	Sight Slide Spring (Not for 2")
14	Slide Plate	34	Bolt Plunger	54	Cylinder Stop Spring
15	Front Sight (Not for 2")	35	Sight Leaf Screw (Not for 2")	55	Extractor Spring
16	Trigger Lever	36	Center Pin	56	Center Pin Spring
17	Hand	37	Extractor Rod Collar	57	Hand Torsion Spring
18	Rear Sight Leaf (Not for 2")	38	Windage Screw (Not for 2")	58	Rebound Slide Spring
19	Sight Slide (Not for 2")	39	Elevation Screw (Not for 2")	59	Mainspring
20	Elevating Stud (Not for 2")	40	Thumb-Piece Screw	60	Grip

Camper Auto



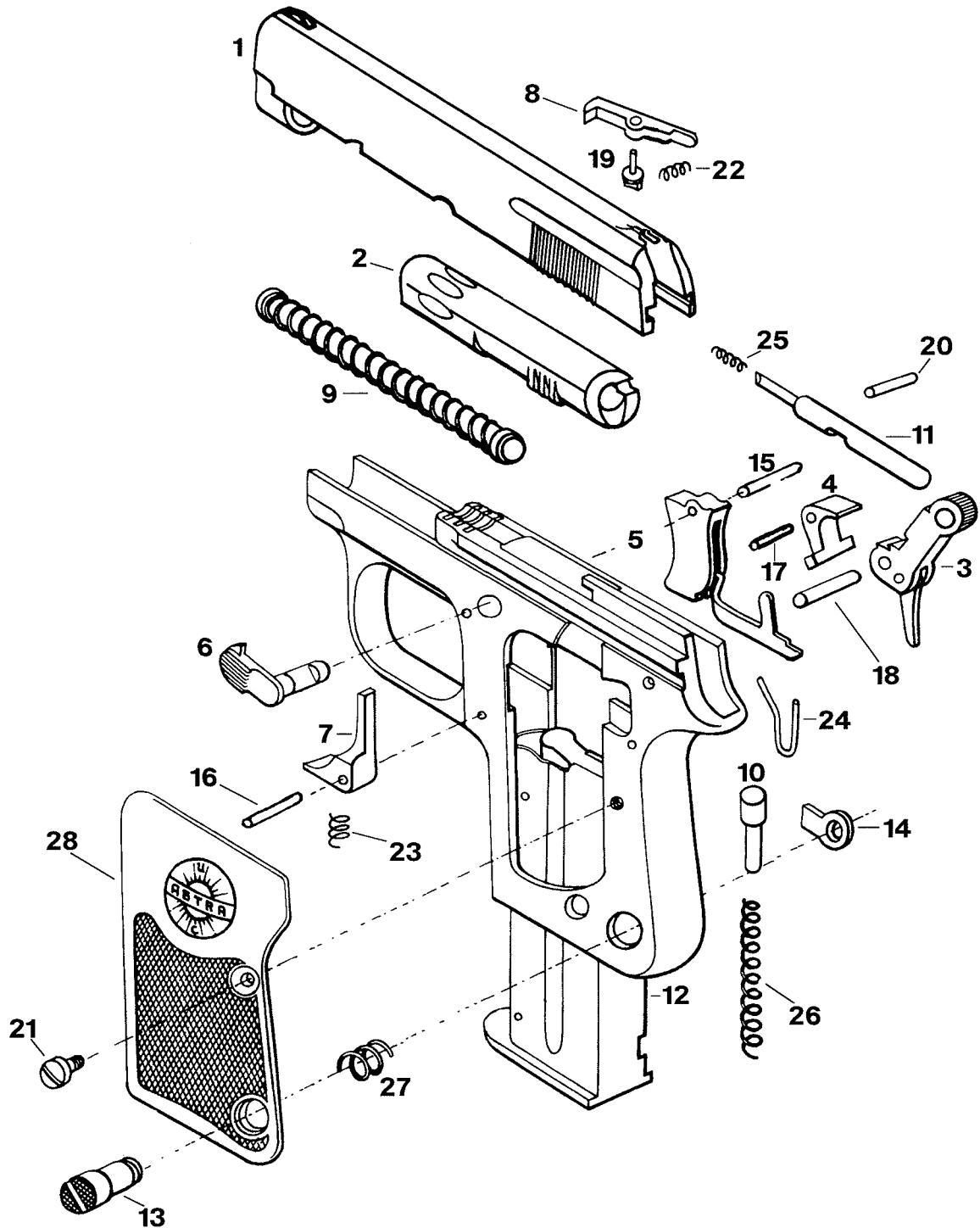
1	Frame	11	Firing Pin	21	Grip Screw
2	Slide	12	Magazine	22	Extractor Spring
3	Barrel	13	Magazine Catch Button	23	Magazine Safety Spring
4	Hammer with Strut and Pin	14	Magazine Catch	24	Sear Spring
5	Sear	15	Trigger Pin	25	Firing Pin Spring
6	Trigger with Disconnecter	16	Magazine Safety Pin	26	Recoil Spring Assembly
7	Thumb Safety	17	Sear Pin	27	Hammer Spring
8	Magazine Safety	18	Hammer Pin	28	Magazine Catch Spring
9	Extractor	19	Extractor Pin	29	Grips
10	Hammer Spring Guide	20	Firing Pin Retaining Pin		

Constable Auto

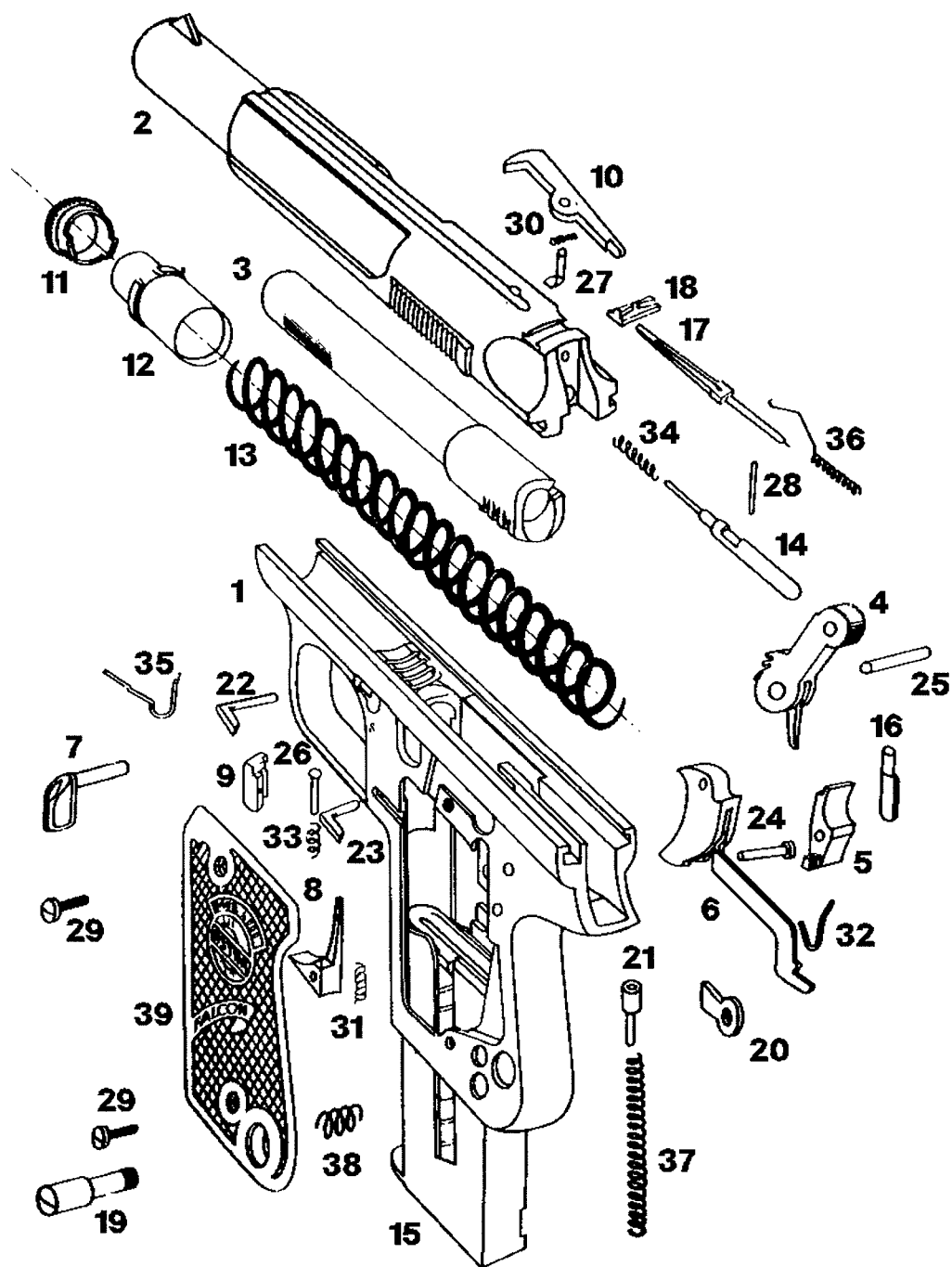


1	Frame	24	Magazine Catch
2	Barrel	25	Disconnecter
3	Recoil Spring	26	Disconnecter Spring
4	Slide	27	Hammer
5	Extractor	28	Hammer Pin
6	Extractor Pin	29	Mainspring Guide
7	Extractor Spring	30	Mainspring
8	Safety Detent	31	Mainspring Retainer
9	Thumb Safety	32	Sear
10	Rear Sight Base, Adjustable	33	Sear Pin
11	Rear Sight Windage Screw	34	Sear Spring
12	Rear Sight Leaf	35	Sear Plunger
13	Rear Sight Windage Spring	36	Trigger
14	Firing Pin	37	Trigger Pin
15	Firing Pin Retainer	38	Trigger Spring
16	Firing Pin Spring	39	Disassembly Latch
17	Barrel Retainer Pin	40	Disassembly Latch Spring
18	Trigger Bar	41	Disassembly Latch Plunger
19	Ejector Slide Stop	42	Disassembly Latch Plunger Spring
20	Ejector Slide Stop Spring	43	Disassembly Latch Pin
21	Magazine Button	44	Grip
22	Magazine Catch Plunger	45	Grip Screw
23	Magazine Catch Spring	46	Magazine

Cub Auto

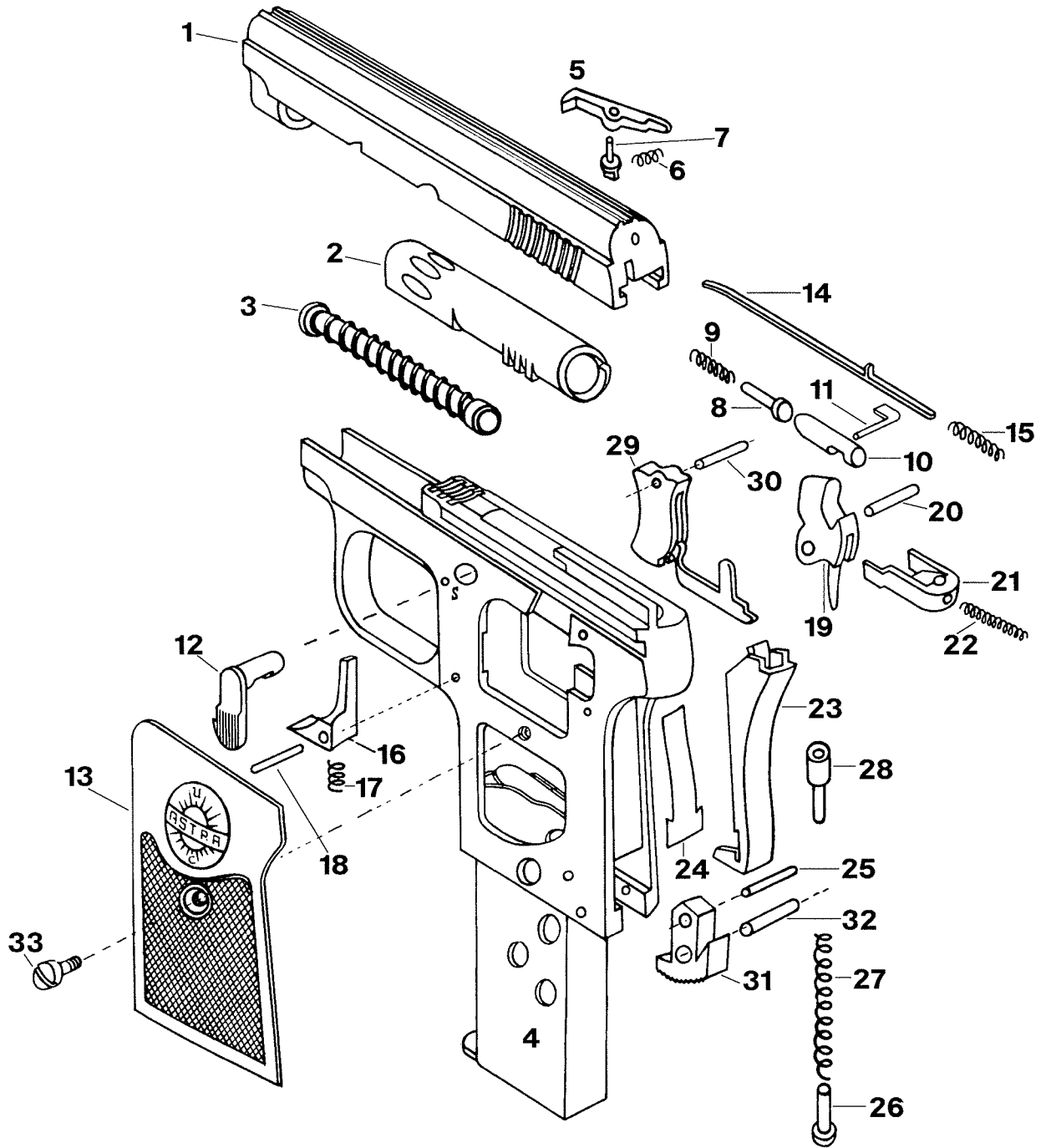


1	Slide	11	Firing Pin	21	Grip Screw
2	Barrel	12	Magazine	22	Extractor Spring
3	Hammer with Strut and Pin	13	Magazine Catch Button	23	Magazine Safety Spring
4	Sear	14	Magazine Catch	24	Sear Spring
5	Trigger with Disconnecter	15	Trigger Pin	25	Firing Pin Spring
6	Thumb Safety	16	Magazine Safety Pin	26	Hammer Spring
7	Magazine Safety	17	Sear Pin	27	Magazine Catch Spring
8	Extractor	18	Hammer Pin	28	Grips
9	Recoil Spring Assembly	19	Extractor Pin		
10	Hammer Spring Guide	20	Firing Pin Retaining Pin		



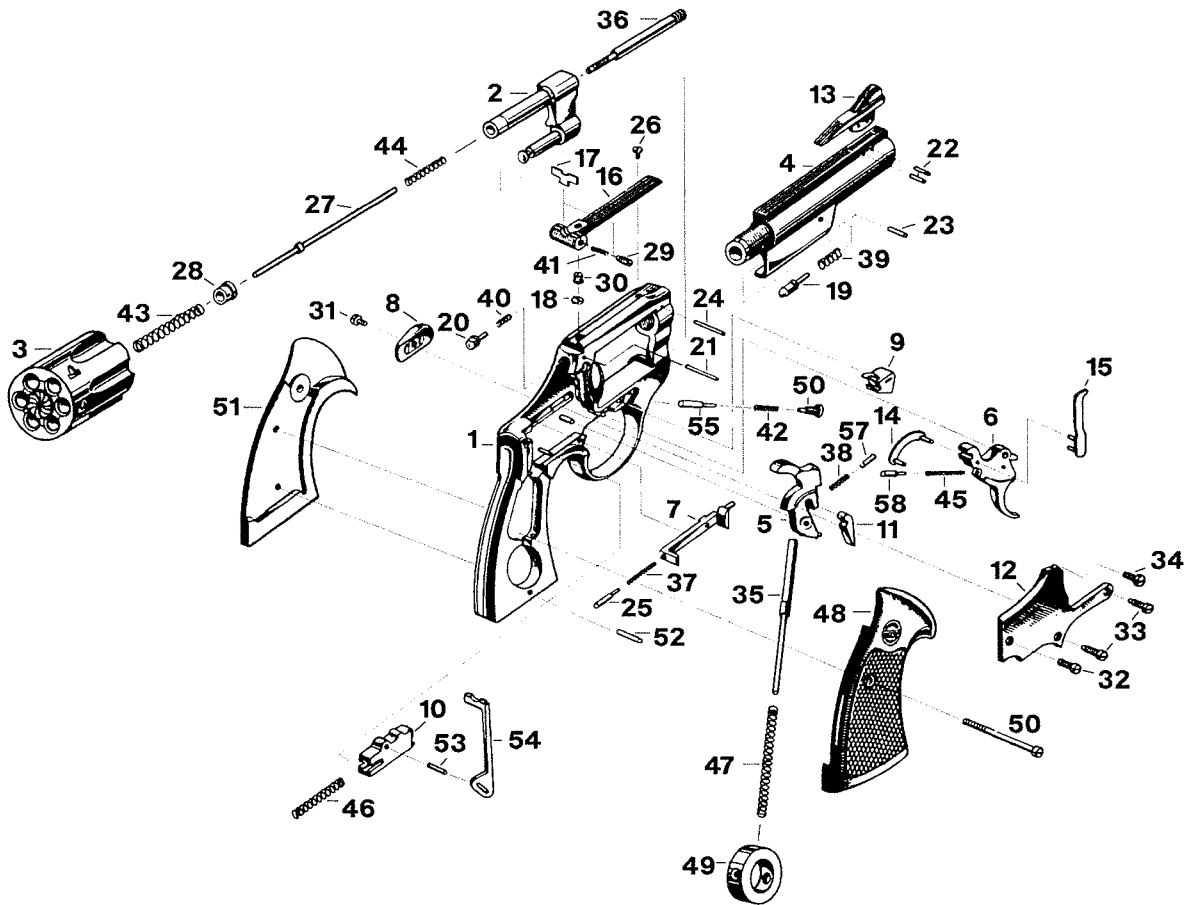
1	Frame	14	Firing Pin	27	Extractor Retaining Pin
2	Slide	15	Magazine	28	Loaded Chamber Retaining Pin
3	Barrel	16	Firing Pin Retainer	29	Grip Screws (4)
4	Hammer with Strut	17	Loaded Chamber Indicator	30	Extractor Spring
5	Sear	18	Rear Sight	31	Magazine Safety Spring
6	Trigger with Bar	19	Magazine Catch Button	32	Sear Spring
7	Safety-Lever	20	Magazine Catch	33	Safety Plunger Spring
8	Magazine Safety	21	Hammer Spring Plunger	34	Firing Pin Spring
9	Slide Latch	22	Trigger Pin	35	Slide Latch Spring
10	Extractor	23	Magazine Safety Pin	36	Loaded Chamber Indicator Spring
11	Barrel Bushing Lock	24	Sear Pin	37	Hammer Spring
12	Barrel Bushing	25	Hammer Pin	38	Magazine Catch Spring
13	Recoil Spring	26	Safety Plunger	39	Grip Panel

Firecat Auto



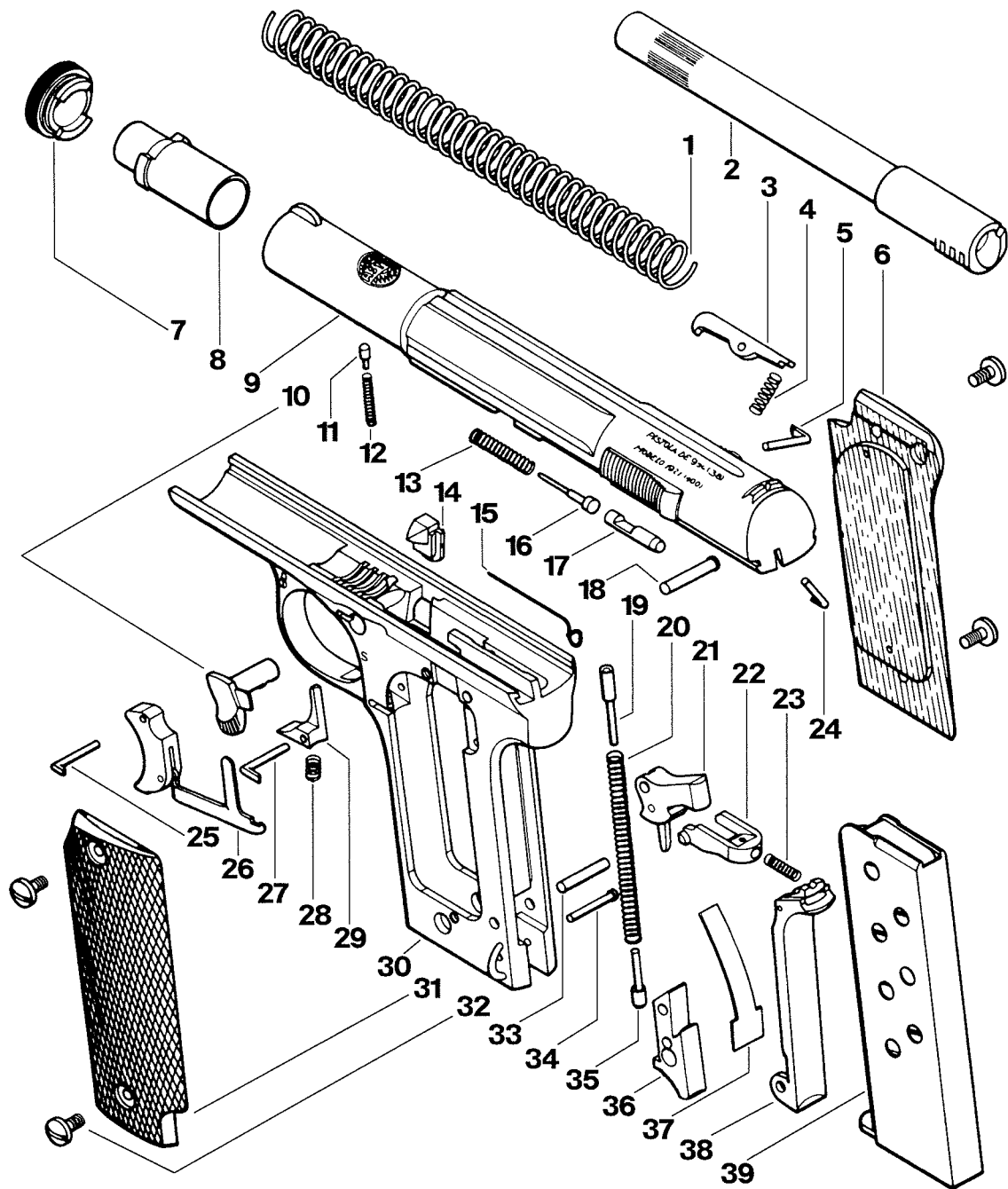
1	Slide	13	Grips	25	Safety Catch Pin
2	Barrel	14	Signal Pin	26	Hammer Spring Base
3	Recoil Spring	15	Signal Pin Spring	27	Hammer Spring
4	Magazine	16	Magazine Safety	28	Hammer Spring Rod
5	Extractor	17	Magazine Safety Spring	29	Trigger, Trigger Connecting Rod and Trigger Connecting Rod Pin
6	Extractor Spring	18	Magazine Safety Pin	30	Trigger Pin
7	Extractor Pin	19	Hammer and Hammer Rod	31	Magazine Catch
8	Pin, Firing Pin	20	Hammer Pin	32	Magazine Catch Pin
9	Firing Pin Spring	21	Hammer Release	33	Grip Plate Screw
10	Firing Pin Rod	22	Hammer Release Spring		
11	Firing Pin Rod Pin	23	Grip Safety-Lever and Rod		
12	Thumb Safety	24	Grip Safety Spring		

Model 357 AST Revolver



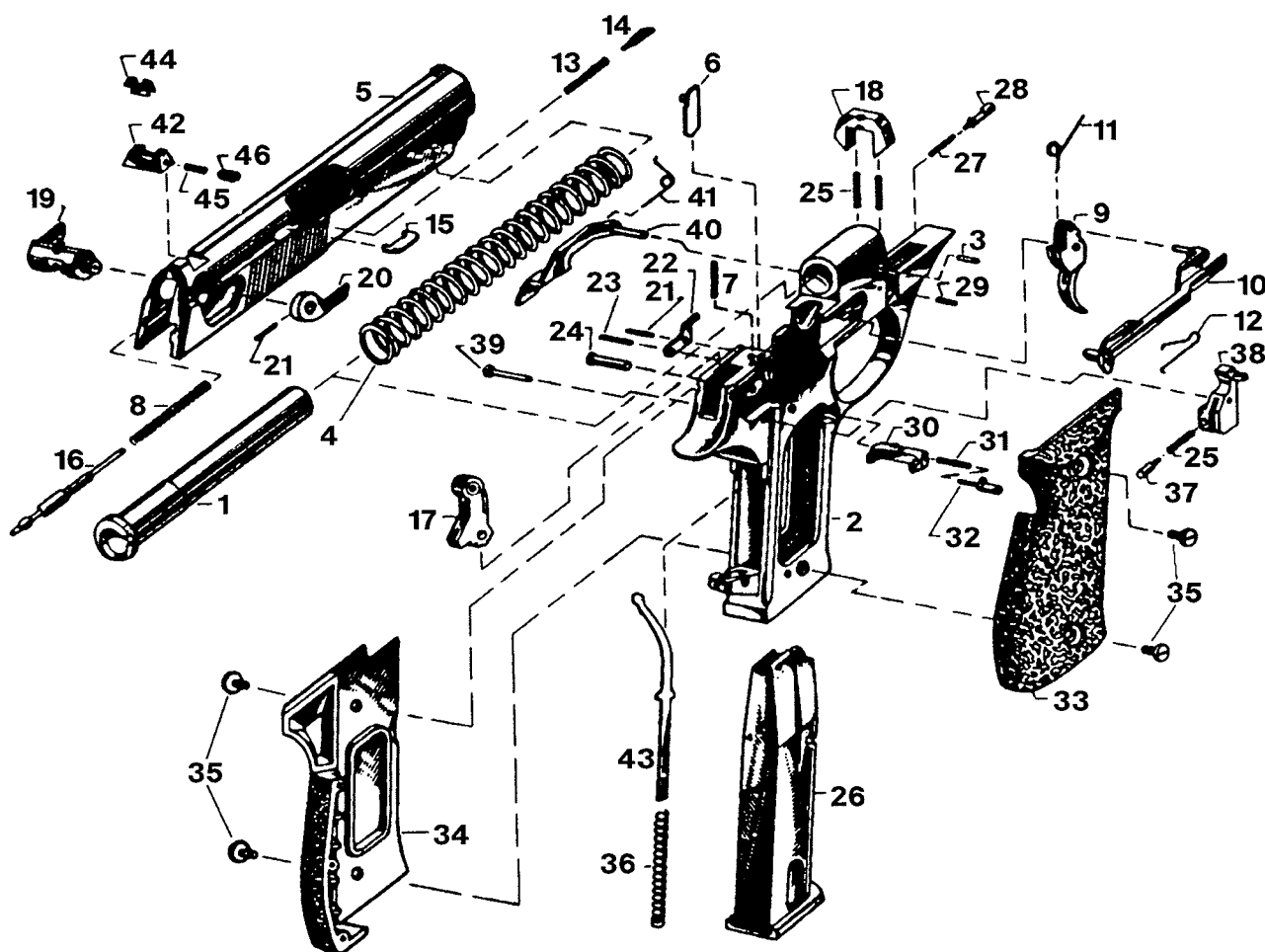
1	Frame	30	Elevator Screw
2	Crane	31	Thumb-Piece Screw
3	Cylinder with Extractor and Pins	32	Flat Head Sideplate Screw
4	Barrel	33	Front Lower Sideplate Screw
5	Hammer	34	Top Sideplate Screw
6	Trigger	35	Hammer Strut
7	Bolt	36	Extractor Rod
8	Thumb-Piece	37	Bolt Spring
9	Cylinder Stop	38	Sear Spring
10	Rebound Slide	39	Locking Bolt Spring
11	Sear	40	Firing Pin Spring
12	Slideplate	41	Sight Slide Spring
13	Front Sight	42	Cylinder Stop Spring
14	Trigger Lever	43	Extractor Spring
15	Hand	44	Center Pin Spring
16	Rear Sight Leaf	45	Hand Torsion Spring
17	Sight Slide	46	Rebound Slide Spring
18	Screw Plate of Rear Sight Leaf Elevator	47	Hammer Spring
19	Locking Bolt	48	Right Grip
20	Firing Pin	49	Regulation Ring
21	Firing Pin Retaining Pin	50	Holder Grip Screw
22	Front Sight Pins	51	Left Grip
23	Locking Bolt Pin	52	Holder Grip Pin
24	Barrel Pin	53	Safety Pin
25	Bolt Plunger	54	Safety
26	Sight Leaf Screw	55	Cylinder Stop Plunger
27	Central Pin	56	Cylinder Stop Screw
28	Extractor Rod Collar	57	Sear Plunger
29	Windage Screw	58	Hand Plunger

Model 400 Auto



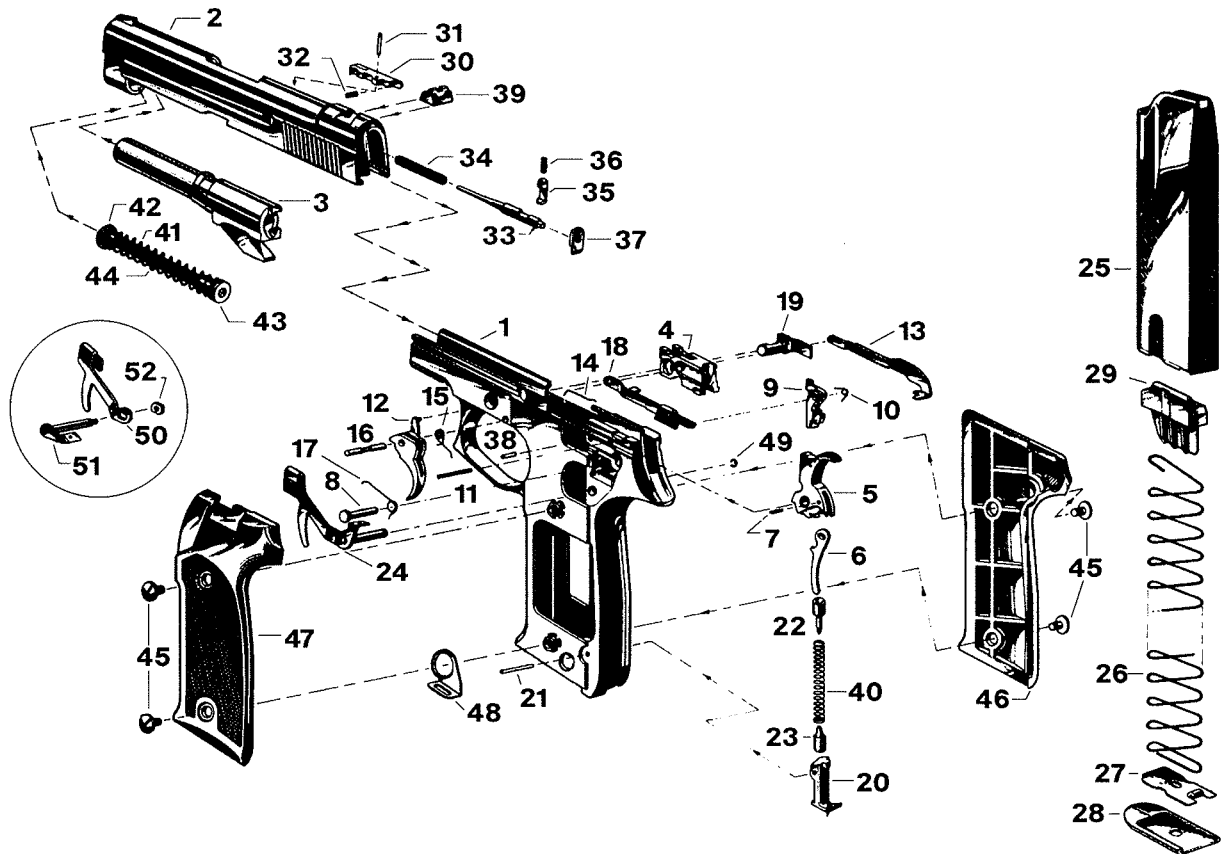
1	Recoil Spring	14	Slide Stop	27	Magazine Safety Pin
2	Barrel	15	Slide Stop Spring	28	Magazine Safety Spring
3	Extractor	16	Firing Pin	29	Magazine Safety
4	Extractor Spring	17	Firing Pin Extension	30	Frame
5	Firing Pin Retainer Pin	18	Hammer Pin	31	Left Grip
6	Right Grip	19	Hammer Plunger	32	Grip Screws (4)
7	Barrel Bushing Lock	20	Hammer Spring	33	Grip Safety Pin
8	Barrel Bushing	21	Hammer and Strut	34	Magazine Catch Stop
9	Slide	22	Sear	35	Magazine Catch Plunger
10	Safety Catch	23	Sear Spring	36	Magazine Catch
11	Safety Detent	24	Extractor Pin	37	Grip Safety Spring
12	Safety Spring	25	Trigger Pin	38	Grip Safety
13	Firing Pin Spring	26	Trigger and Trigger Bar	39	Magazine

Model A-60 DA Auto



1	Barrel	24	Hammer Pin
2	Frame	25	Sear Spring and Takedown Yoke Spring
3	Barrel Pin	26	Magazine Complete
4	Recoil Spring	27	Takedown Plunger Spring
5	Slide	28	Takedown Plunger
6	Disconnecter	29	Takedown Plunger Pin
7	Disconnecter Spring	30	Magazine Catch
8	Firing Pin Spring	31	Magazine Catch Spring
9	Trigger	32	Magazine Catch Retainer
10	Sear Bar	33	Right Grip
11	Trigger Spring	34	Left Grip
12	Sear Bar Spring	35	Grip Screws
13	Extractor Spring	36	Mainspring
14	Extractor Retainer	37	Sear Plunger
15	Extractor	38	Sear
16	Firing Pin	39	Sear Pin
17	Hammer	40	Slide Retainer
18	Takedown Yoke	41	Slide Retainer Spring
19	Thumb Safety	42	Rear Sight
20	Right Thumb Safety	43	Hammer Strut
21	Thumb Safety Pin and Front Ejector Pin	44	Sight Slide
22	Ejector	45	Sight Slide Spring
23	Ejector Rear Pin	46	Windage Screw

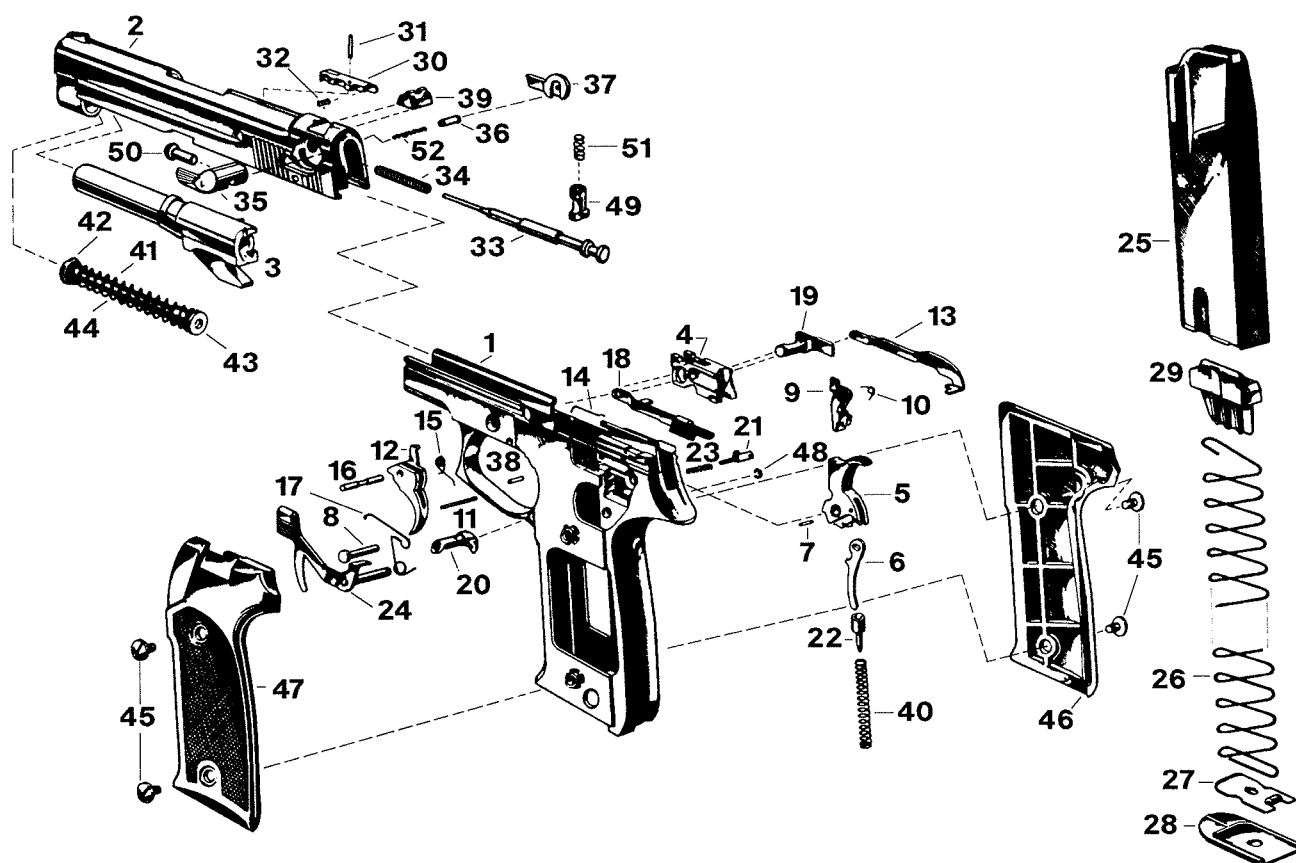
Model A-80 DA Auto



1	Frame	31	Extractor Pin
2	Slide	32	Extractor Spring
3	Barrel	33	Firing Pin
4	Barrel Stop	34	Firing Pin Spring
5	Hammer	35	Firing Pin Block
6	Hammer Strut	36	Firing Pin Block Spring
7	Hammer Strut Pin	37	Firing Pin Stop Plate
8	Hammer Pin	38	Sear Spring Stop Pin
9	Sear	39	Rear Sight
10	Sear Spring	40	Hammer Spring
11	Sear Pin	41	Recoil Spring
12	Trigger	42	Recoil Spring Washer
13	Sear Bar	43	Guide Nut
14	Sear Bar Spring	44	Recoil Spring Guide
15	Trigger Spring	45	Grip Screw
16	Trigger Pin	46	Right Grip
17	Slide Retainer and Hammer-Lowering Lever Spring	47	Left Grip
18	Slide Retainer	48	Lanyard Loop
19	Takedown Latch	49	Lever Snap Ring
20	Magazine Catch	50	Hammer-Lowering Lever (Left-Handed)
21	Magazine Catch Pin	51	Hammer-Lowering Lever Arm (Left-Handed)
22	Hammer Spring Upper Guide	52	Hammer-Lowering Lever Nut (Left-Handed)
23	Hammer Spring Lower Guide		
24	Hammer-Lowering Lever		
25	Magazine		
26	Magazine Spring		
27	Magazine Plate		
28	Magazine Floorplate		
29	Follower		
30	Extractor-Loaded Chamber Indicator		

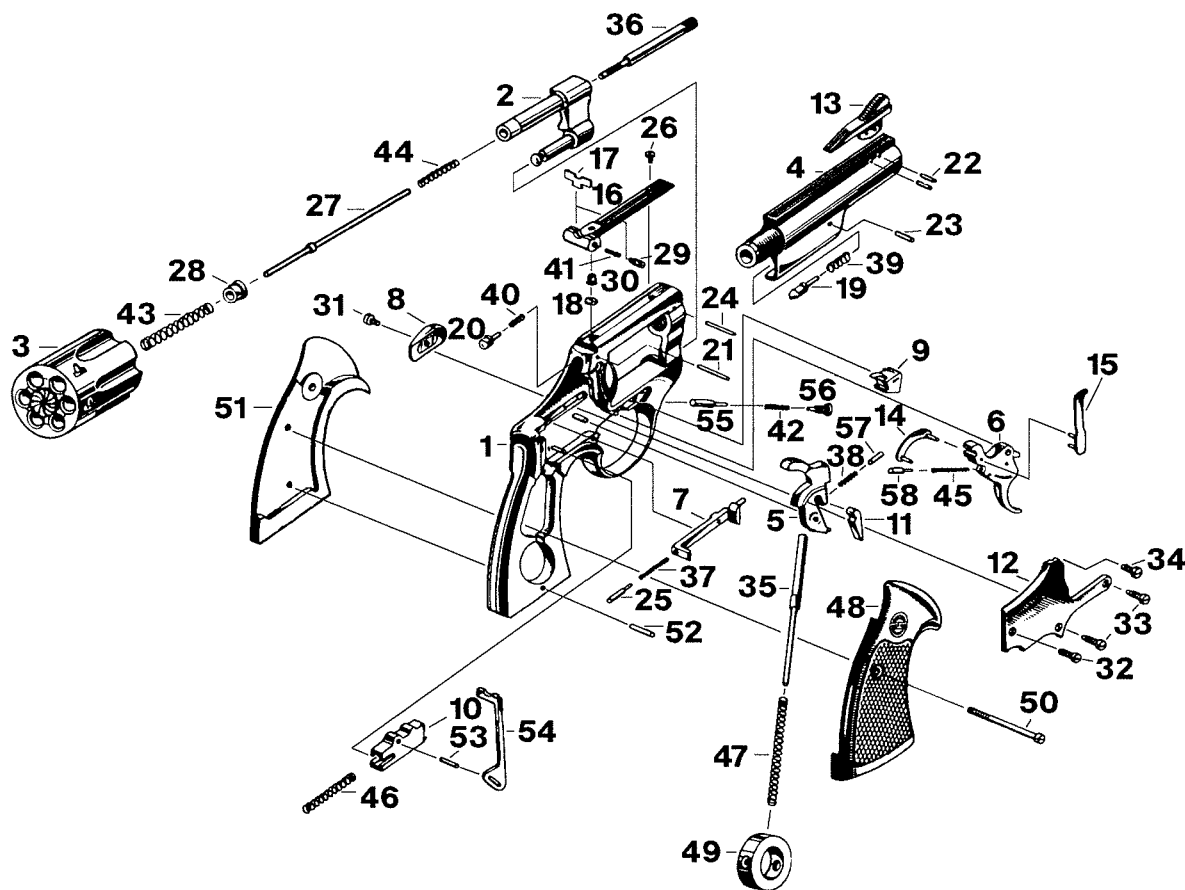
Parts Not Shown
 Lanyard Loop (Left-Handed)
 Right Grip (Left-Handed)
 Left Grip (Left-Handed)

Model A-90 DA Auto



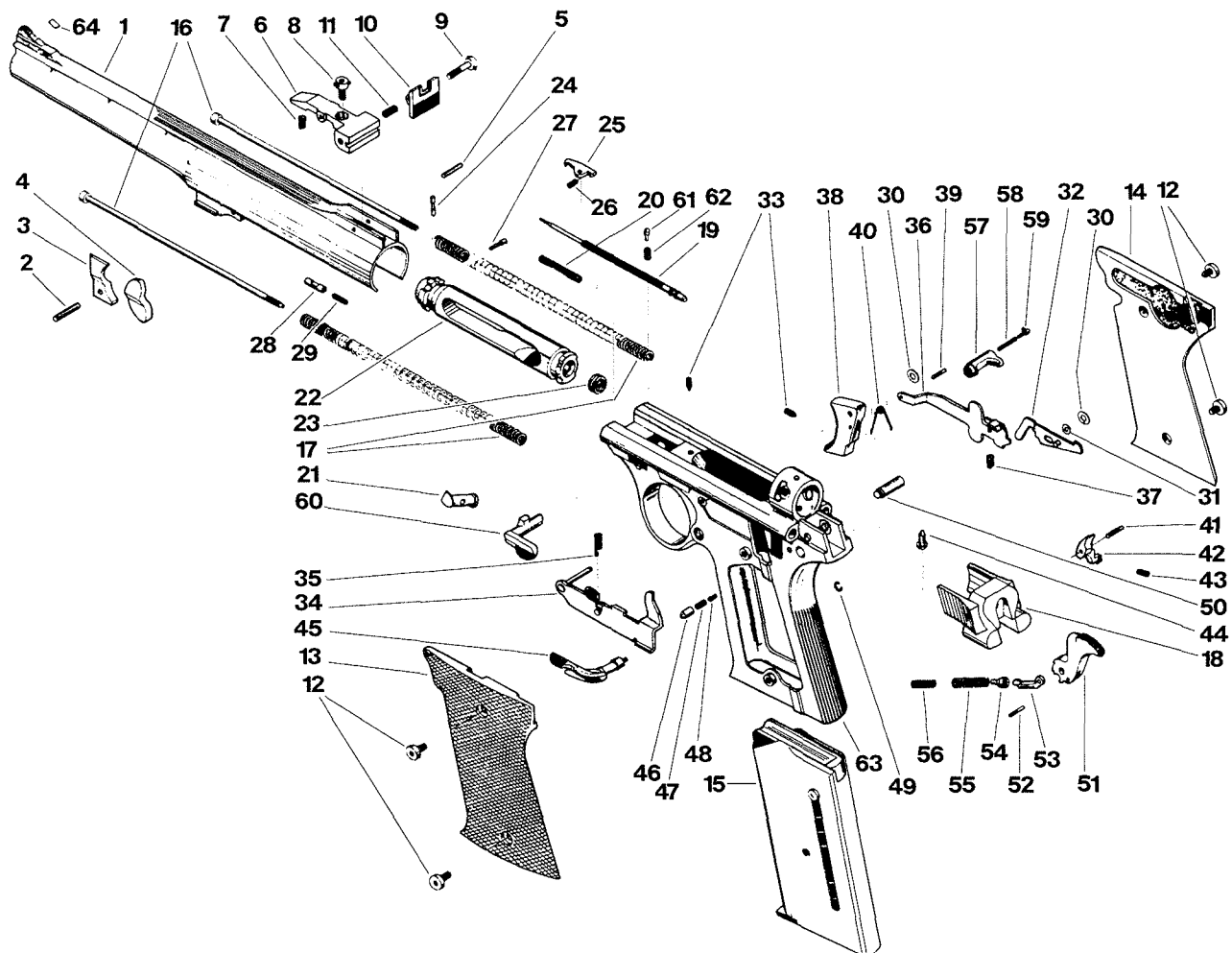
1	Frame	27	Magazine Plate
2	Slide	28	Magazine Floorplate
3	Barrel	29	Follower
4	Barrel Stop	30	Extractor-Loaded Chamber Indicator
5	Hammer	31	Extractor Pin
6	Hammer Strut	32	Extractor Spring
7	Hammer Strut Pin	33	Firing Pin
8	Hammer Pin	34	Firing Pin Spring
9	Sear	35	Manual Safety
10	Sear Spring	36	Manual Safety Bolt
11	Sear Pin	37	Manual Safety Retainer Arm
12	Trigger	38	Sear Spring Stop Pin
13	Sear Bar	39	Rear Sight
14	Sear Bar Spring	40	Hammer Spring
15	Trigger Spring	41	Recoil Spring
16	Trigger Pin	42	Recoil Spring Washer
17	Slide Retainer and Hammer Lowering Lever Spring	43	Guide Nut
18	Slide Retainer	44	Recoil Spring Guide
19	Takedown Latch	45	Grip Screws
20	Magazine Catch	46	Right Grip
21	Magazine Catch Retainer	47	Left Grip
22	Hammer Spring Upper Guide	48	Lever Snap Ring
23	Magazine Catch Spring	49	Firing Pin Block
24	Hammer Lowering Lever	50	Back Firing Pin
25	Magazine	51	Firing Pin Block Spring
26	Magazine Spring	52	Manual Safety Bolt Spring

Model 41, 44 and 45 Revolver



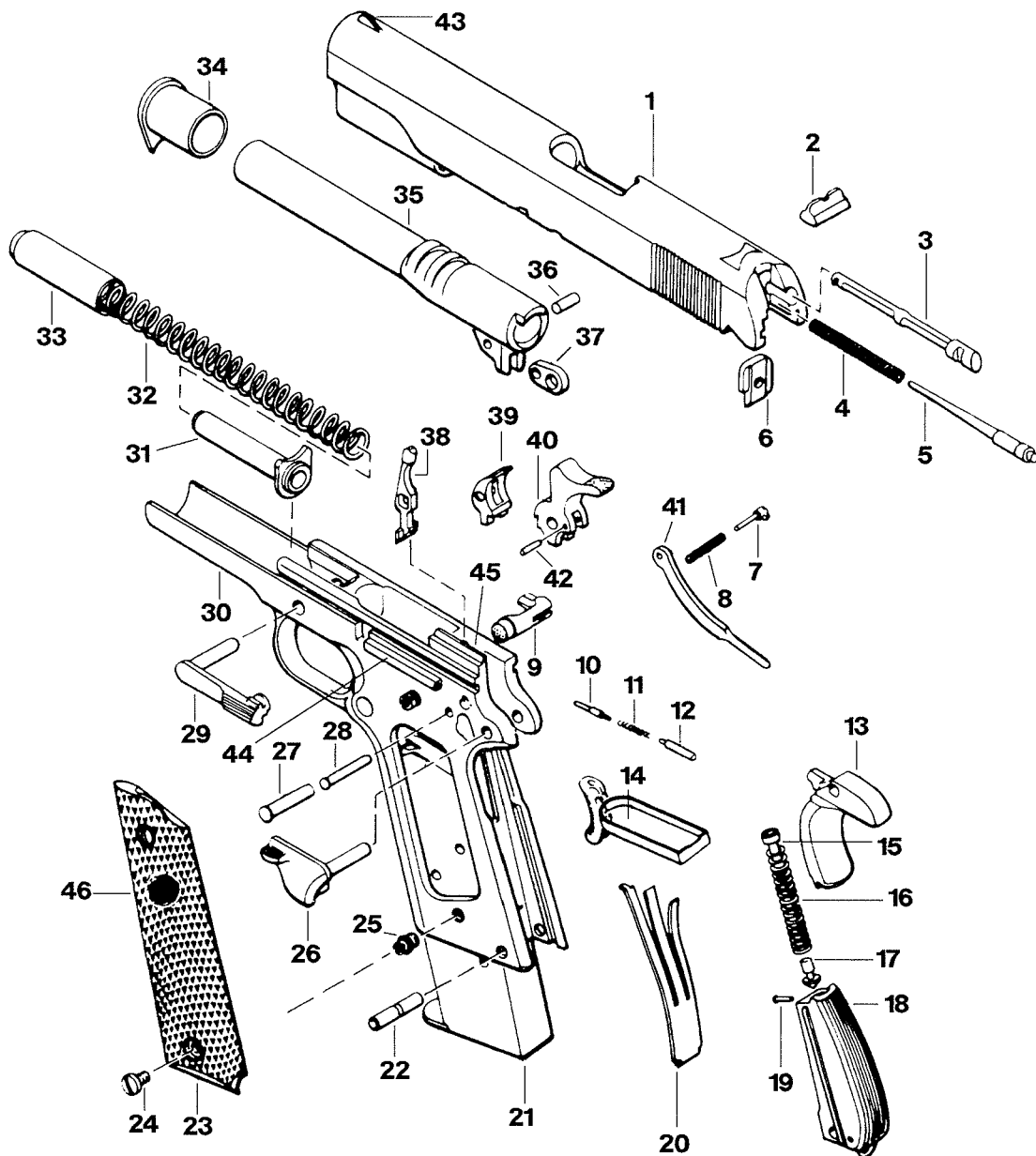
1	Frame	30	Elevator Screw
2	Crane	31	Thumb-Piece Screw
3	Cylinder with Extractor and Pins	32	Flat Head Sideplate Screw
4	Barrel	33	Front Lower Sideplate Screw
5	Hammer	34	Top Sideplate Screw
6	Trigger	35	Hammer Strut
7	Bolt	36	Extractor Rod
8	Thumb-Piece	37	Bolt Spring
9	Cylinder Stop	38	Sear Spring
10	Rebound Slide	39	Locking Bolt Spring
11	Sear	40	Firing Pin Spring
12	Slide Plate	41	Sight Slide Spring
13	Front Sight	42	Cylinder Stop Spring
14	Trigger Lever	43	Extractor Spring
15	Hand	44	Center Pin Spring
16	Rear Sight Leaf	45	Hand Torsion Spring
17	Sight Slide	46	Rebound Slide Spring
18	Screw Plate of Rear Sight Leaf Elevator	47	Hammer Spring
19	Locking Bolt	48	Right Grip
20	Firing Pin	49	Regulation Ring
21	Firing Pin Retaining Pin	50	Holder Grip Screw
22	Front Sight Pin	51	Left Grip
23	Locking Bolt Pin	52	Holder Grip Pin
24	Barrel Pin	53	Safety Pin
25	Bolt Plunger	54	Safety
26	Sight Leaf Screw	55	Cylinder Stop Plunger
27	Central Pin	56	Cylinder Stop Screw
28	Extractor Rod Collar	57	Sear Plunger
29	Windage Screw	58	Hand Plunger

Model 180 Auto



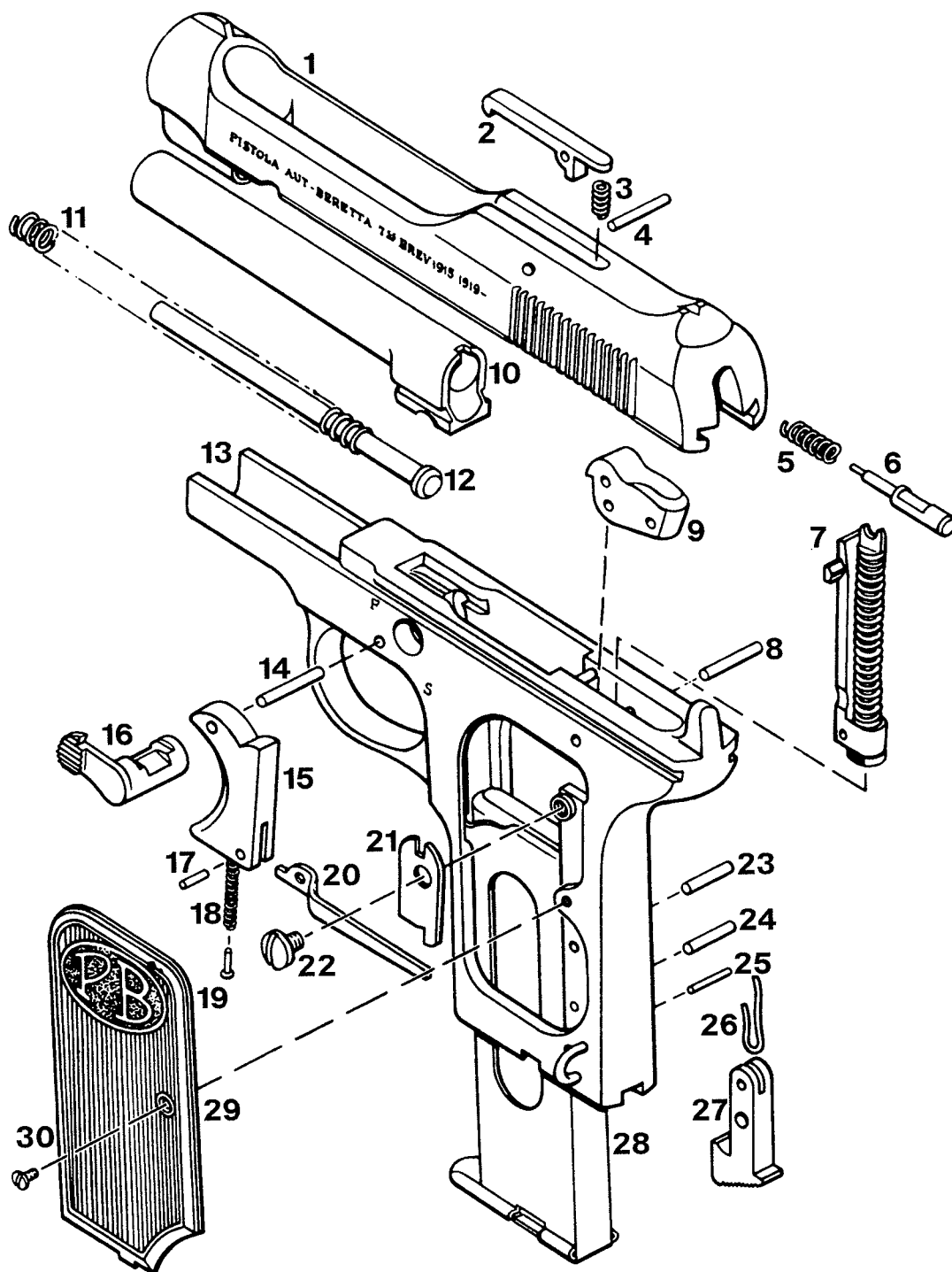
1	Barrel and Extension Assembly	21	Bolt Rotation Pin	43	Sear Spring
2	Accelerator Block Pin	22	Bolt	44	Bolt Safety Tappet
3	Accelerator Block	23	Bolt Rotation Spring	45	Safety-Lever
4	Accelerator	24	Extractor Retaining Pin	46	Safety-Lever Detent Plunger
5	Rear Sight Pin	25	Extractor	47	Safety-Lever Detent Spring (Outer)
6	Rear Sight Platform	26	Extractor Spring	48	Safety-Lever Detent Spring (Inner)
7	Rear Sight Elevation Spring	27	Ejector Retaining Pin	49	Hammer Pin Retaining Ring
8	Elevation Adjustment	28	Ejector	50	Hammer Pin
9	Windage Adjustment	29	Ejector Spring	51	Hammer
10	Rear Sight Blade	30	Retaining Ring	52	Hammer Strut Pin
11	Rear Sight Windage Spring	31	Safety Plate Spacer	53	Hammer Strut
12	Grip Screw	32	Safety Plate	54	Hammer Strut Guide
13	Left Grip	33	Trigger Adjustment Screw	55	Hammer Spring (Outer)
14	Right Grip	34	Hold Open Assembly	56	Hammer Spring (Inner)
15	Magazine Assembly	35	Hold Open Spring	57	Magazine Latch
16	Recoil Rod	36	Trigger Bar	58	Magazine Latch Spring
17	Recoil Spring	37	Trigger Bar Spring	59	Magazine Latch Retainer
18	Cocking Piece	38	Trigger	60	Barrel Latch
19	Firing Pin	39	Trigger Bar Pin	61	Barrel Latch Detent Plunger
20	Firing Pin Spring	40	Trigger Spring	62	Barrel Latch Detent Spring
		41	Sear Pin	63	Frame
		42	Sear	64	Sight Insert Material

Model 1911-A1 Auto



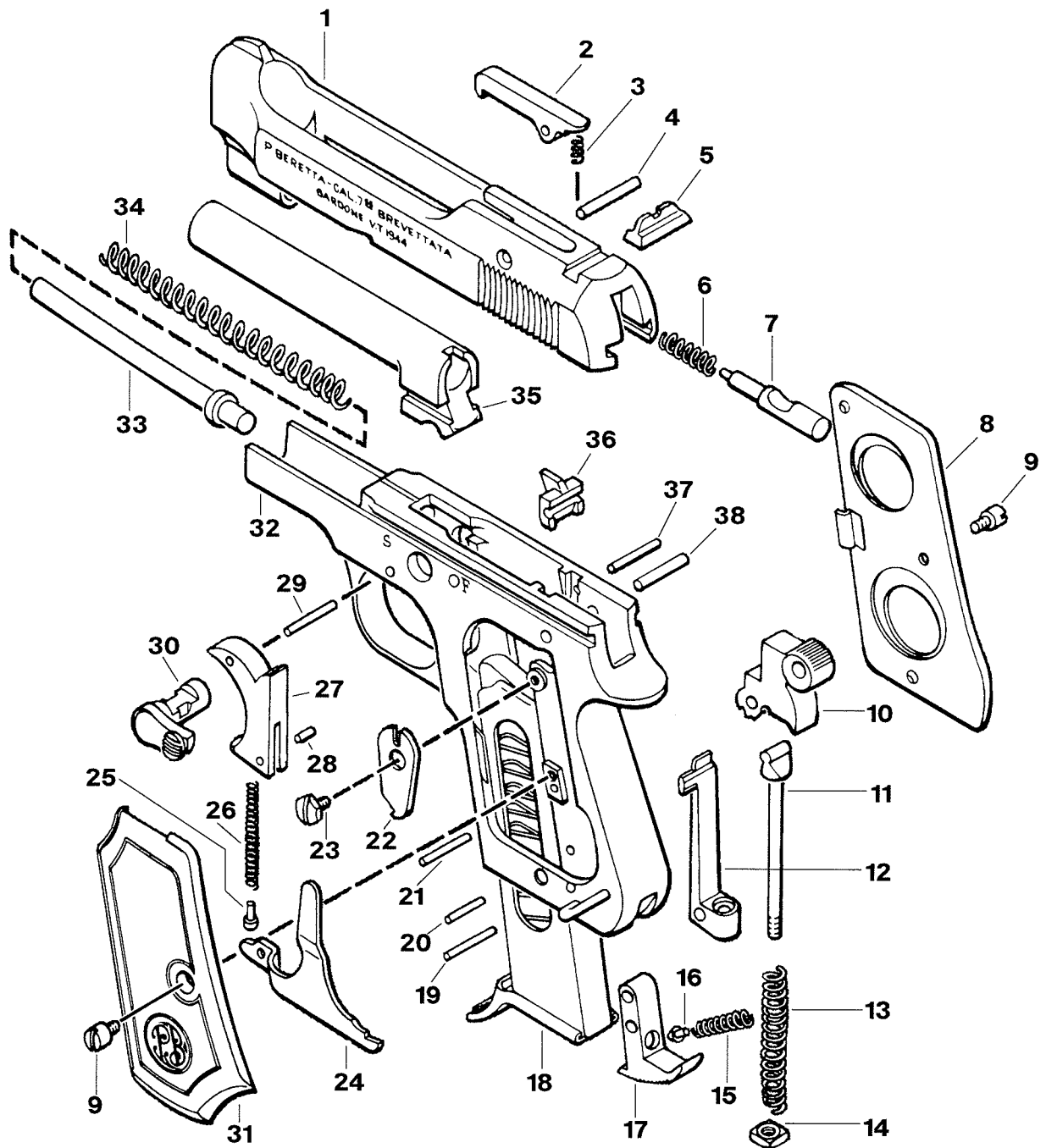
1	Slide	17	Mainspring Housing Pin Retainer	33	Plug
2	Rear Sight	18	Mainspring Housing	34	Barrel Bushing
3	Extractor	19	Mainspring Cap Pin	35	Barrel
4	Firing Pin Spring	20	Sear Spring	36	Barrel Link Pin
5	Firing Pin	21	Magazine	37	Barrel Link
6	Firing Pin Stop Plate	22	Mainspring Housing Pin	38	Disconnecter
7	Magazine Catch Lock	23	Hand Grip with Medallion	39	Sear
8	Magazine Catch Spring	24	Grip Screw	40	Hammer
9	Magazine Catch	25	Stock Screw Bushing	41	Hammer Strut
10	Slide Stop Plunger	26	Safety Catch	42	Hammer Strut Pin
11	Plunger Spring	27	Hammer Pin	43	Front Sight
12	Safety Catch Plunger	28	Sear and Disconnecter Pin	44	Plunger Tube
13	Grip Safety	29	Slide Stop	45	Ejector
14	Trigger	30	Frame (Receiver)	46	Medallion
15	Mainspring Cap	31	Recoil Spring Guide		
16	Mainspring	32	Recoil Spring		
				Parts Not Shown	
					Ejector Pin

Model 1915-1919 Auto



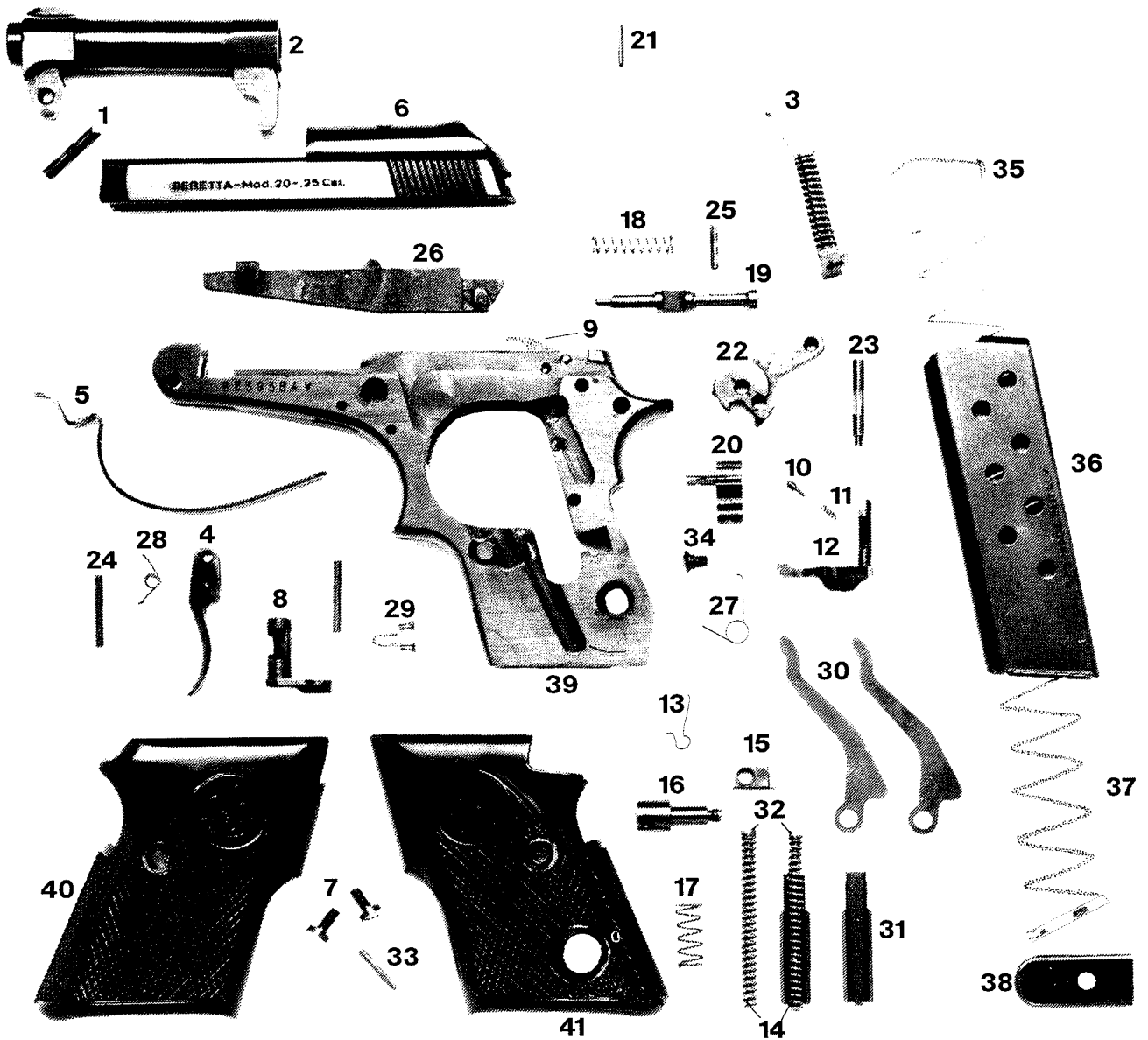
- | | | | | | |
|----|-----------------------------|----|----------------------------|----|--------------------------|
| 1 | Slide | 11 | Recoil Spring | 21 | Sear Lever |
| 2 | Extractor | 12 | Recoil Spring Guide | 22 | Sear Lever Screw |
| 3 | Extractor Spring | 13 | Frame | 23 | Sear Pin |
| 4 | Extractor Pin | 14 | Trigger Pivot Pin | 24 | Magazine Catch Pin |
| 5 | Firing Pin Spring | 15 | Trigger | 25 | Magazine Catch Limit Pin |
| 6 | Firing Pin | 16 | Safety-Lever | 26 | Magazine Catch Spring |
| 7 | Sear/Hammer Spring Assembly | 17 | Trigger Bar Pin | 27 | Magazine Catch |
| 8 | Hammer Pivot | 18 | Trigger Bar Spring | 28 | Magazine Assembly |
| 9 | Hammer | 19 | Trigger Bar Spring Plunger | 29 | Grip Panel (2) |
| 10 | Barrel | 20 | Trigger Bar | 30 | Grip Screw (2) |

Model 1934 Auto



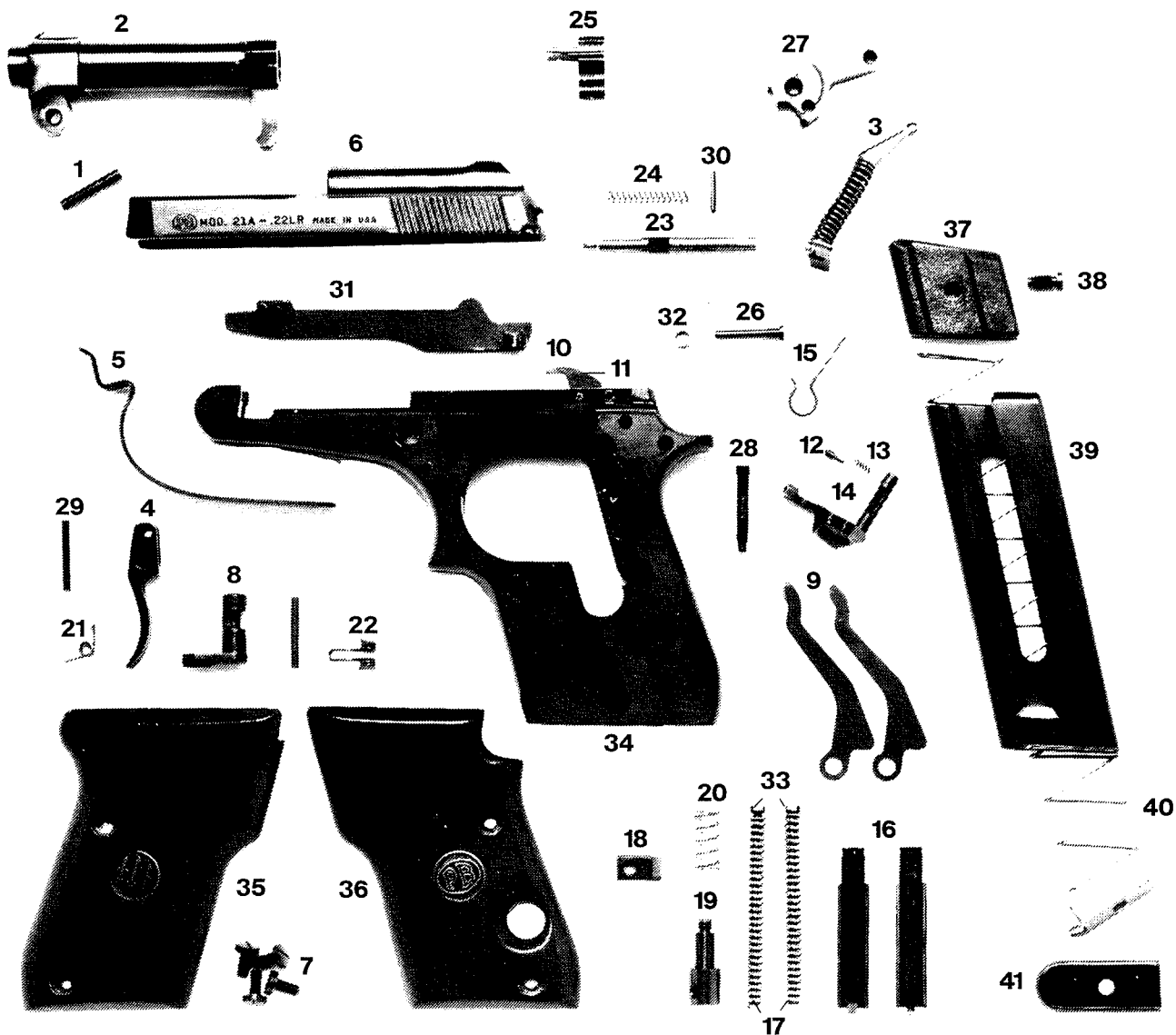
1	Slide	14	Hammer Strut Nut	27	Trigger
2	Extractor	15	Magazine Catch Spring	28	Trigger Bar Pin
3	Extractor Spring	16	Spring Follower	29	Trigger Pin
4	Extractor Pin	17	Magazine Catch	30	Safety Catch
5	Rear Sight	18	Magazine Assembly	31	Left-Hand Grip
6	Firing Pin Spring	19	Magazine Catch Pin	32	Receiver
7	Firing Pin	20	Magazine Catch Hinge Pin	33	Recoil Spring Guide
8	Right-Hand Grip	21	Sear Lever Pin	34	Recoil Spring
9	Grip Screws (2)	22	Sear Plate	35	Barrel
10	Hammer	23	Sear Plate Screw	36	Ejector
11	Hammer Strut	24	Trigger Bar	37	Ejector Pin
12	Sear Lever	25	Trigger Spring Plunger	38	Hammer Pin
13	Hammer Spring	26	Trigger Spring		

Model 20 Auto



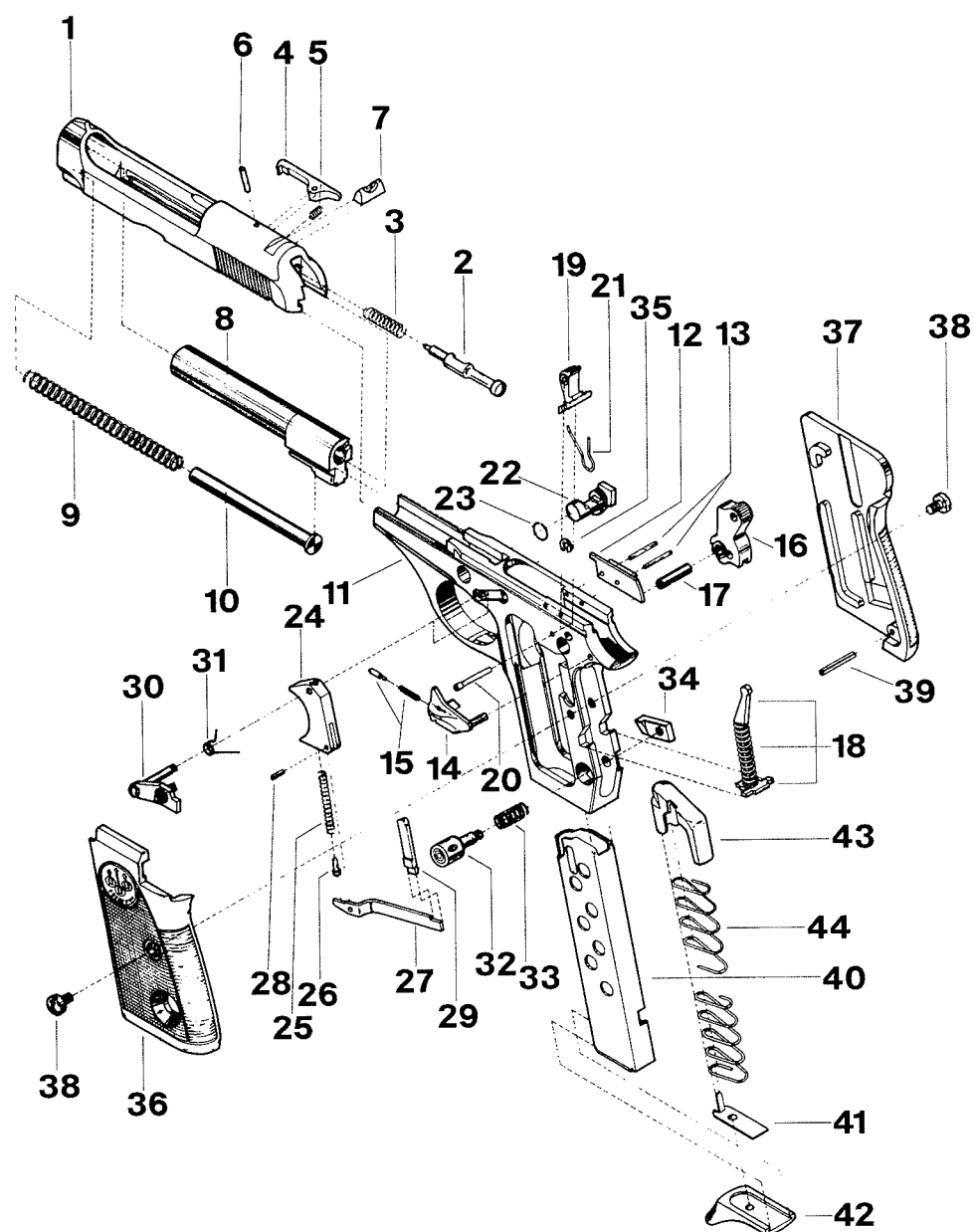
1	Barrel Front Mount Pin	16	Magazine Release Button	31	Recoil Spring Cover
2	Barrel Assembly	17	Magazine Release Button Spring	32	Recoil Spring Plunger
3	Hammer Spring Guide Assembly	18	Firing Pin Spring	33	Grip Junction Roll Pin
4	Trigger	19	Firing Pin	34	Trigger Bar Spring Screw
5	Trigger Guard	20	Sear	35	Magazine Follower
6	Slide	21	Sear Pin	36	Magazine Body
7	Grip Screws	22	Hammer	37	Magazine Spring
8	Ejector	23	Hammer Pin	38	Magazine Floorplate
9	Ejector Pin	24	Trigger Pin	39	Frame
10	Safety Plunger	25	Firing Pin Retaining Pin	40	Right Grip Panel
11	Safety Spring	26	Trigger Bar	41	Left Grip Panel
12	Safety	27	Trigger Bar Spring		
13	Sear Spring	28	Trigger Spring		
14	Recoil Spring	29	Barrel Lever Spring		
15	Magazine Release	30	Recoil Spring Lever		
				Parts Not Shown	
				Barrel Release	

Model 21A Auto



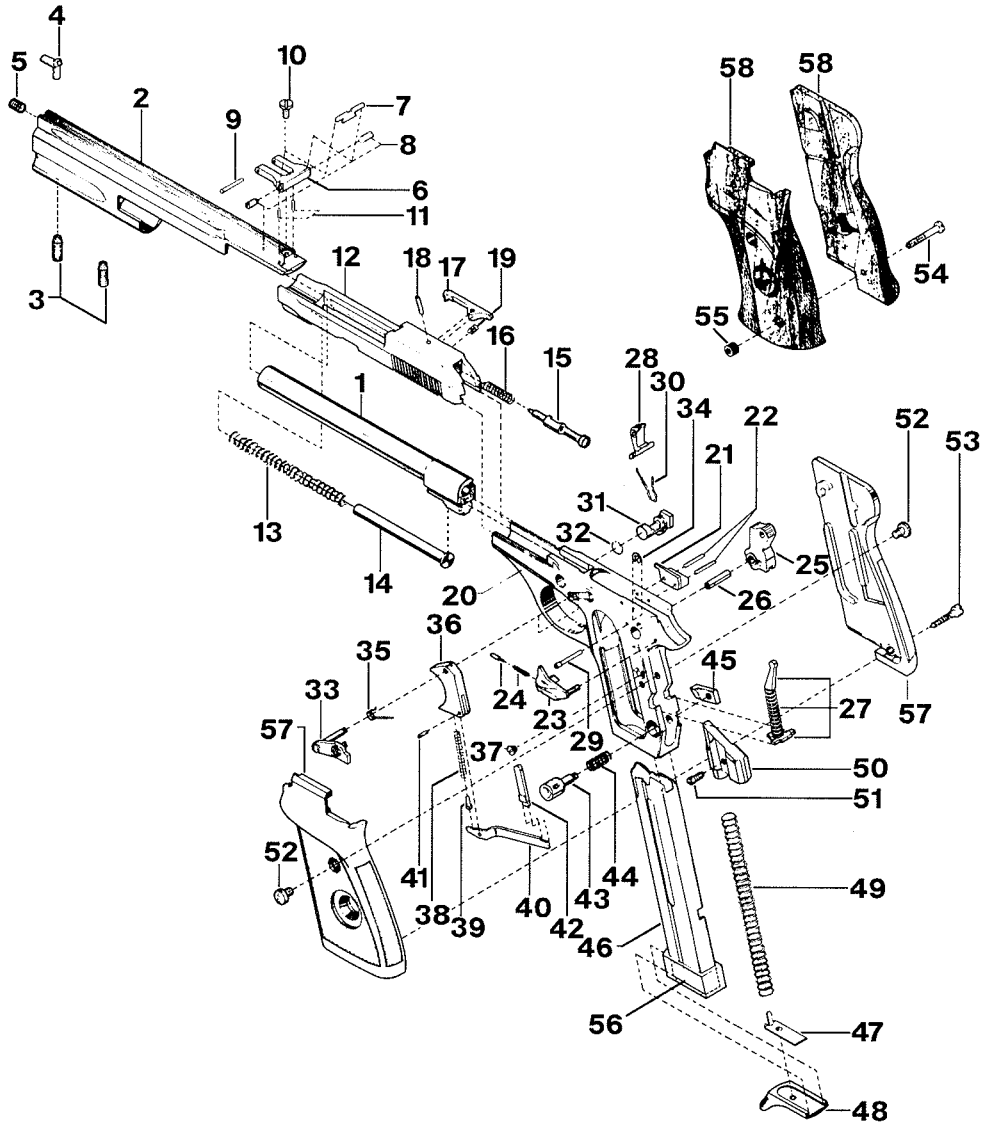
1	Barrel Front Mount Pin	22	Barrel Release Spring
2	Barrel Assembly	23	Firing Pin
3	Hammer Spring Guide Assembly	24	Firing Pin Spring
4	Trigger	25	Sear
5	Trigger Guard	26	Sear Pin
6	Slide	27	Hammer
7	Grip Screws	28	Hammer Pin
8	Barrel Release	29	Trigger Pin
9	Recoil Bar	30	Firing Pin Retaining Pin
10	Ejector	31	Trigger Bar
11	Ejector Pin	32	Trigger Bar Spring
12	Safety Plunger	33	Recoil Spring Plunger
13	Safety Spring	34	Frame
14	Safety	35	Right Grip Panel
15	Sear Spring	36	Left Grip Panel
16	Recoil Spring Cover	37	Magazine Follower
17	Recoil Spring	38	Magazine Follower Screw
18	Magazine Release	39	Magazine Body
19	Magazine Release Button	40	Magazine Spring
20	Magazine Release Spring	41	Magazine Floorplate
21	Trigger Spring		

Model 70 Auto



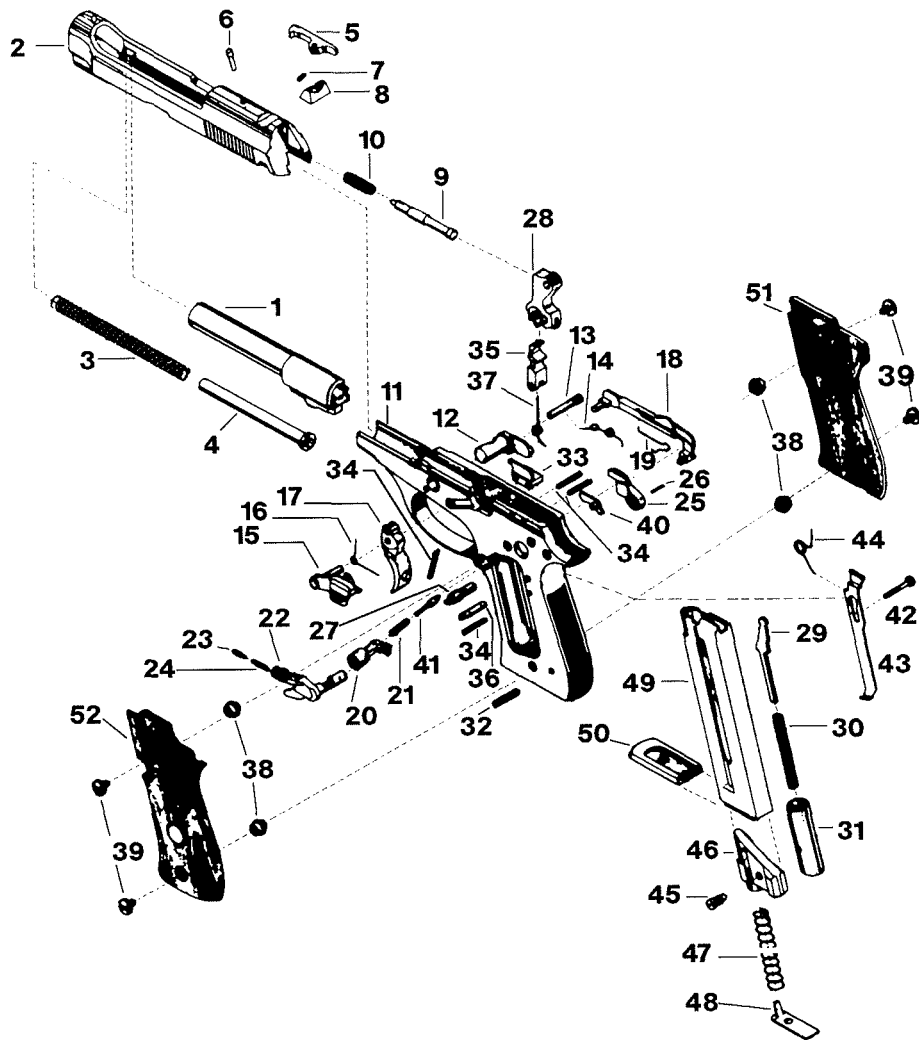
1	Slide	17	Hammer Pin	32	Magazine Release Push Button
2	Firing Pin	18	Hammer Spring/Strut/ Nut Assembly	33	Magazine Release Spring
3	Firing Pin Spring	19	Sear	34	Magazine Release Catch
4	Extractor	20	Sear Pin	35	Trigger Pin E Clip
5	Extractor Spring	21	Sear Spring	36	Left Grip Panel
6	Extractor Pin	22	Slide Lock with Circlip	37	Right Grip Panel
7	Rear Sight	23	Slide Lock Circlip	38	Grip Screws (2)
8	Barrel	24	Trigger	39	Grip Junction Rod
9	Recoil Spring	25	Trigger Bar Spring	40	Magazine Body
10	Recoil Spring Guide	26	Trigger Bar Spring Plungers (2)	41	Magazine Spring Plate
11	Frame	27	Trigger Bar	42	Magazine Floorplate Extension
12	Ejector	28	Trigger Bar Pin	43	Follower
13	Ejector Pins (2)	29	Disconnecter	44	Magazine Spring
14	Safety-Lever	30	Slide Catch	Parts Not Shown	
15	Safety-Lever Spring and Plunger	31	Slide Catch Spring		Trigger Pin
16	Hammer				Slide Catch Spring Screw

Model 76 Auto



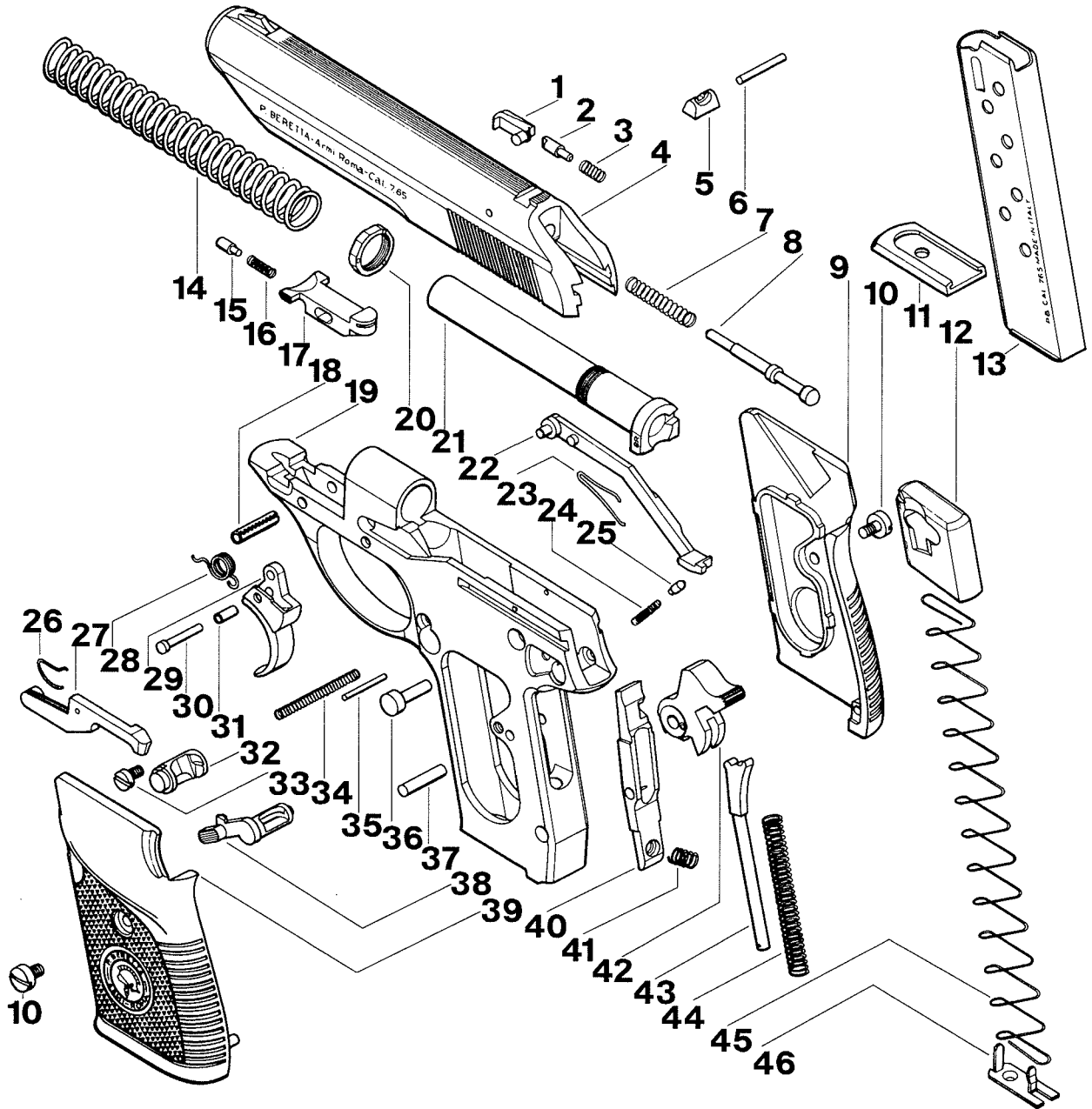
1	Barrel	21	Ejector	41	Trigger Bar Pin
2	Barrel Weight	22	Ejector Pins (2)	42	Disconnecter
3	Barrel Weight Lock Screws	23	Safety-Lever	43	Magazine Release Push Button
4	Interchangeable Front Sight	24	Safety Spring and Plunger Assembly	44	Magazine Release Spring
5	Front Sight Screw	25	Hammer	45	Magazine Release Catch
6	Rear Sight Base	26	Hammer Pin	46	Magazine Box
7	Rear Sight Blade	27	Hammer Spring Assembly	47	Magazine Floorplate
8	Rear Sight Windage Screws	28	Sear	48	Magazine Floorplate Extension
9	Rear Sight Assembly Pin	29	Sear Pin	49	Magazine Spring
10	Rear Sight Assembly Elevating Screw	30	Sear Spring	50	Follower
11	Rear Sight Assembly Springs (2)	31	Disassembly Catch	51	Follower Retaining Screw
12	Slide	32	Disassembly Catch Circlip	52	Grip Screws (2)
13	Recoil Spring	33	Slide Catch	53	Grip Junction Screw, Plastic Grip
14	Recoil Spring Guide	34	Slide Catch E Spring	54	Grip Junction Screw, Wood Grip
15	Firing Pin	35	Slide Catch Spring	55	Grip Junction Screw Bushing
16	Firing Pin Spring	36	Trigger	56	Magazine Spacer
17	Extractor	37	Trigger Spring	57	Plastic Grip
18	Extractor Pin	38	Trigger Bar Spring	58	Wood Grip
19	Extractor Spring	39	Trigger Bar Spring Plunger		
20	Frame	40	Trigger Bar		
				Parts Not Shown	
					Barrel Weight Pin
					Slide Catch Screw

Model 87 Auto



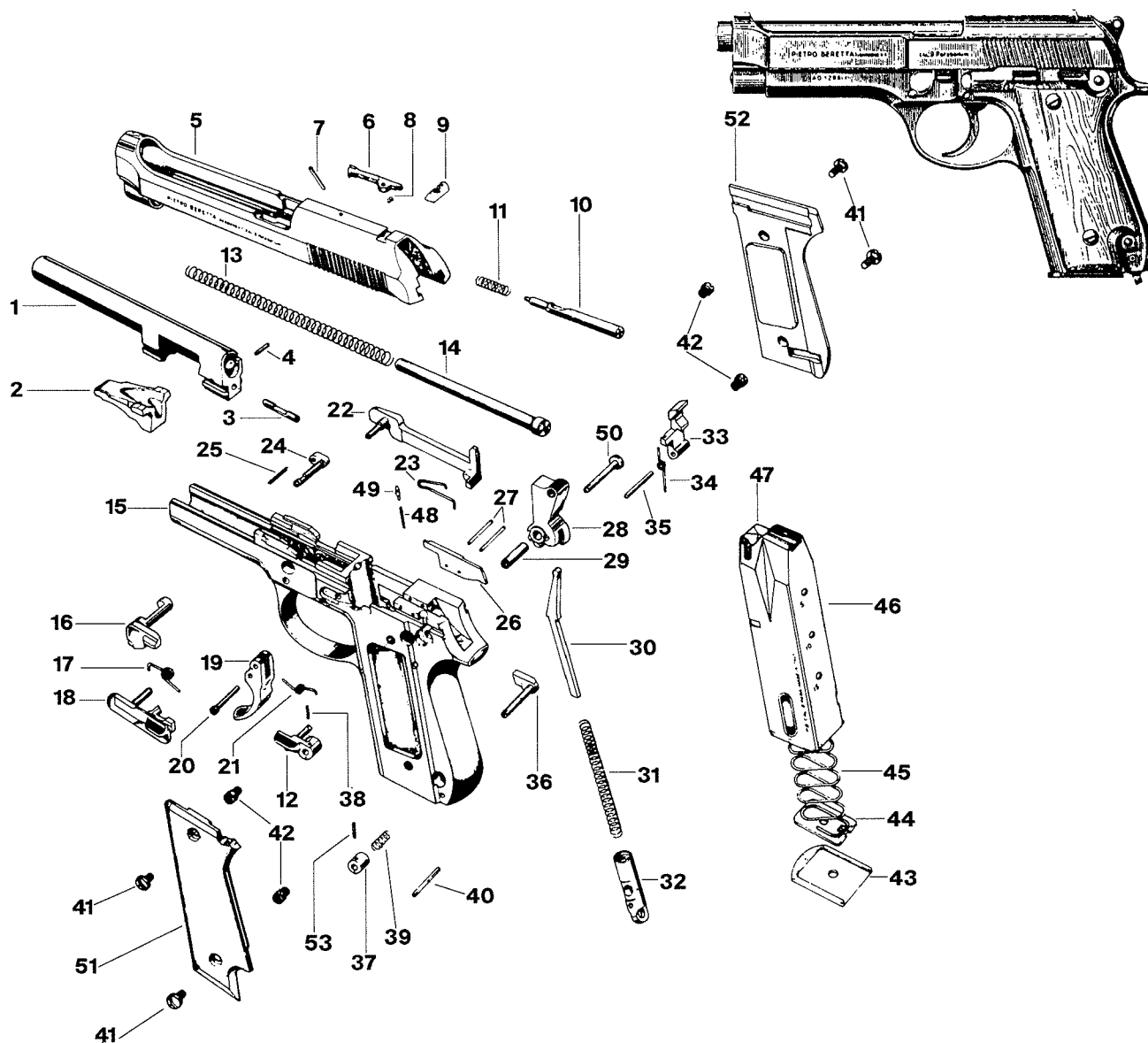
1	Barrel	25	Right Safety	48	Magazine Spring Plate
2	Slide	26	Safety Pin	49	Magazine Body
3	Recoil Spring	27	Hammer Pin	50	Magazine Floorplate
4	Recoil Spring Guide	28	Hammer	51	Right Grip Panel
5	Extractor	29	Hammer Spring Guide	52	Left Grip Panel
6	Extractor Pin	30	Hammer Spring	Parts Not Shown	
7	Extractor Spring	31	Hammer Spring Cap	Magazine Release Button	
8	Rear Sight	32	Hammer Spring Cap Pin	Spring Bushing, Long	
9	Firing Pin	33	Ejector	Magazine Release Button	
10	Firing Pin Spring	34	Spring Pin	Spring Bushing, Short	
11	Frame	35	Sear	Magazine Safety, Spring	
12	Disassembling Latch	36	Sear Pin	Retaining Bushing	
13	Disassembling Latch Release Button	37	Sear Spring	Safety Magazine Spring	
14	Trigger Spring	38	Grip Bush	Firing Pin Catch Spring	
15	Slide Catch	39	Grip Screws	Firing Pin Catch	
16	Slide Catch Spring	40	Trigger Release Lever	Firing Pin Retaining Pin (Outer Pin)	
17	Trigger	41	Magazine Catch Spring	Firing Pin Retaining Pin (Inner Pin)	
18	Trigger Bar		Guide Plunger	Firing Pin Catch Lever	
19	Trigger Bar Spring	42	Sear Spring and Magazine Safety Pin	Firing Pin Catch Lever Spring	
20	Magazine Release Button	43	Magazine Safety	Ejector Front Pin	
21	Magazine Release Button Spring	44	Magazine Safety Spring		
22	Left Safety	45	Magazine Follower Screw		
23	Safety Spring Plunger	46	Magazine Follower		
24	Safety Spring	47	Magazine Spring		

Model 90 Auto



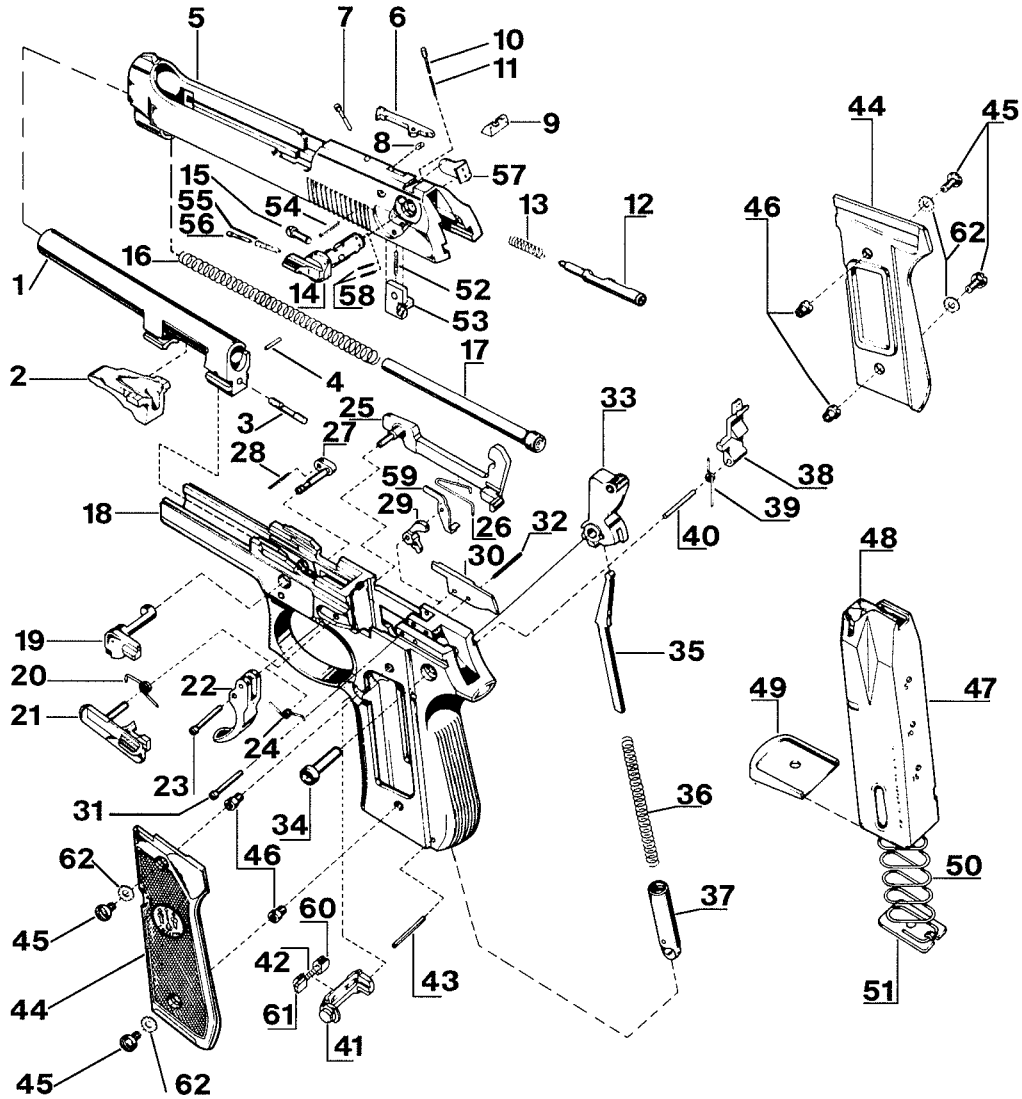
1	Extractor	17	Slide Catch	33	Magazine Catch Screw
2	Extractor Plunger	18	Slide Catch Pin	34	Magazine Catch Spring
3	Extractor Spring	19	Frame	35	Hammer Stop Pin
4	Slide	20	Barrel Nut	36	Hammer Pin
5	Rear Sight	21	Barrel	37	Sear Pin
6	Firing Pin Retainer	22	Trigger Bar	38	Safety
7	Firing Pin Spring	23	Trigger Bar Spring	39	Left Grip
8	Firing Pin	24	Safety Spring	40	Sear
9	Right Grip	25	Safety Plunger	41	Sear Spring
10	Grip Screw	26	Ejector Spring	42	Hammer
11	Magazine Floorplate	27	Ejector/Empty Magazine Indicator	43	Hammer Strut
12	Magazine Follower	28	Trigger Spring	44	Hammer Spring
13	Magazine Body	29	Trigger	45	Magazine Spring
14	Recoil Spring	30	Trigger Pin	46	Magazine Bottom Plate
15	Slide Catch Plunger	31	Trigger Pin Sleeve		
16	Slide Catch Spring	32	Magazine Catch		

Model 92 Auto



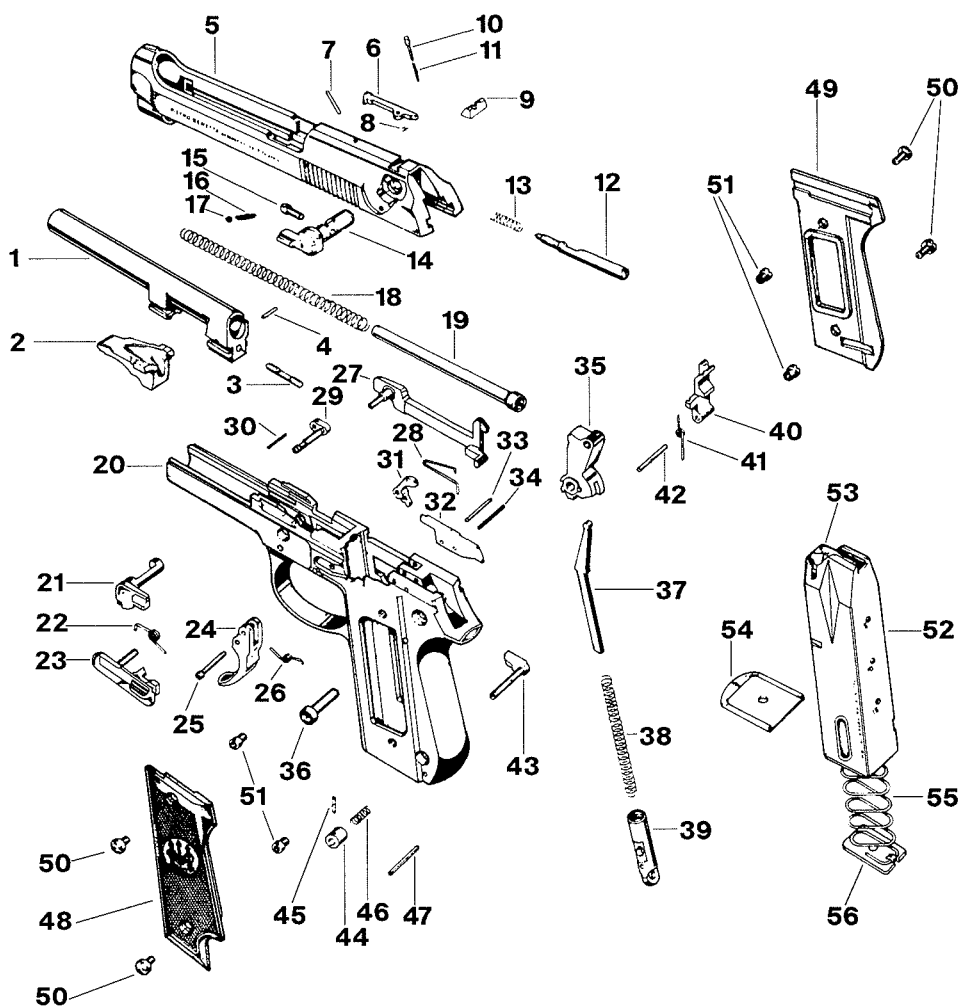
1	Barrel	20	Trigger Pin	38	Safety Pin
2	Locking Block	21	Trigger Spring	39	Magazine Release Button Spring
3	Locking Block Plunger	22	Trigger Bar	40	Hammer Spring Cap Pin
4	Spring Pin/Locking Block	23	Trigger Bar Spring	41	Grip Screws
5	Slide	24	Disassembly Latch Release Button	42	Grip Bush
6	Extractor	25	Disassembly Latch Release	43	Magazine Floorplate
7	Extractor Pin		Button Spring	44	Magazine Spring Plate
8	Extractor Spring	26	Ejector	45	Magazine Spring
9	Rear Sight	27	Ejector Pins	46	Magazine Body
10	Firing Pin	28	Hammer	47	Magazine Follower
11	Firing Pin Spring	29	Hammer Pin	48	Safety Plunger Spring
12	Safety	30	Hammer Spring Guide	49	Safety Plunger
13	Recoil Spring	31	Hammer Spring	50	Safety Pin
14	Recoil Spring Guide	32	Hammer Spring Cap	51	Left Grip Panel
15	Frame	33	Sear	52	Right Grip Panel
16	Disassembly Latch	34	Sear Spring	53	Magazine Release
17	Slide Catch Spring	35	Sear Pin		Button Spring Pin
18	Slide Catch	36	Magazine Release Button		
19	Trigger	37	Magazine Release Button Bushing		

Model 92F and 92F Compact Auto



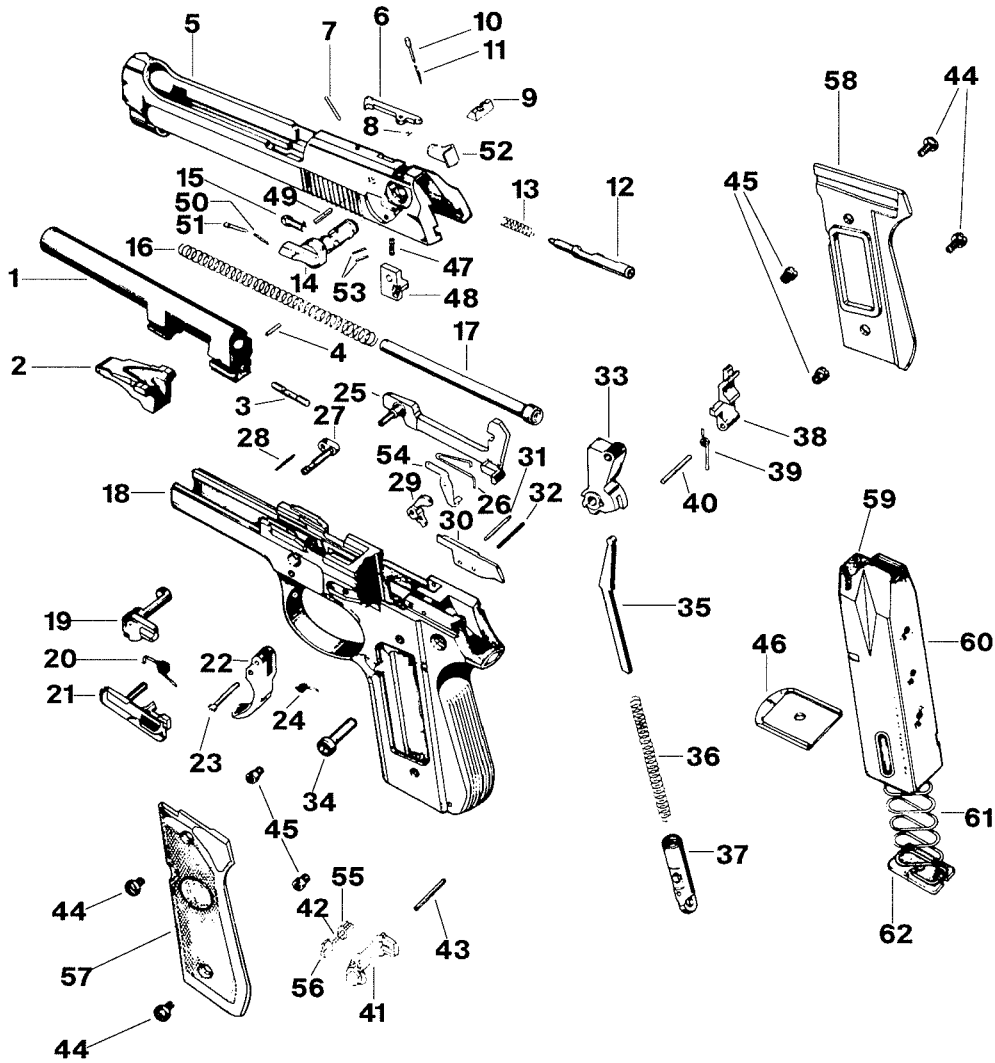
1	Barrel (Factory fitting required)	22	Trigger	42	Magazine Release Button Spring
2	Locking Block	23	Trigger Pin	43	Hammer Spring Cap Spring Pin
3	Locking Block Plunger	24	Trigger Spring	44	Grips
4	Locking Block Plunger—Retaining Pin	25	Trigger Bar	45	Grip Screws
5	Slide	26	Trigger Bar Spring	46	Grip Bush
6	Extractor	27	Disassembling Latch Release Button	47	Magazine Box
7	Extractor Pin	28	Disassembling Latch Release Button Spring	48	Magazine Follower
8	Extractor Spring	29	Hammer Release Lever	49	Magazine Bottom
9	Rear Sight	30	Ejector	50	Magazine Spring
10	Trigger Bar Release Plunger	31	Hammer Release Lever Pin	51	Magazine Lockplate
11	Trigger Bar Release Plunger Spring	32	Ejector Spring Pin	52	Firing Pin Catch Spring
12	Firing Pin	33	Hammer	53	Firing Pin Catch
13	Firing Pin Spring	34	Hammer Pin	54	Firing Pin Catch Retaining Spring Pin
14	Safety	35	Hammer Spring Guide	55	Safety Plunger Spring
15	Firing Pin Plunger	36	Hammer Spring	56	Safety Plunger
16	Recoil Spring	37	Hammer Spring Cap	57	Right Safety-Lever
17	Recoil Spring Guide	38	Sear	58	Right Safety-Lever Spring Pin
18	Frame	39	Sear Spring	59	Firing Pin Catch Lever
19	Disassembling Latch	40	Sear Pin	60	Magazine Catch Spring Bush (Short)
20	Slide Catch Spring	41	Magazine Release Button	61	Magazine Catch Spring (Long)
21	Slide Catch			62	Spring Washers

Model 92S Auto



1	Barrel	26	Trigger Spring	50	Grip Screws
2	Locking Block	27	Trigger Bar	51	Grip Screw Bushings
3	Locking Block Plunger	28	Trigger Bar Spring	52	Magazine Body
4	Locking Block Spring Pin	29	Disassembly Latch Release Button	53	Magazine Follower
5	Slide	30	Disassembly Latch Release Button Spring	54	Magazine Floorplate
6	Extractor	31	Hammer Release Lever	55	Magazine Spring
7	Extractor Pin	32	Ejector	56	Magazine Spring Plate
8	Extractor Spring	33	Hammer Release Lever Pin	Parts Not Shown	
9	Rear Sight	34	Ejector Pin	Firing Pin Catch Spring	
10	Trigger Bar Release Plunger	35	Hammer	Firing Pin Catch	
11	Release Plunger Spring	36	Hammer Pin	Spring Pin	
12	Firing Pin	37	Hammer Spring Guide	Safety Plunger Spring	
13	Firing Pin Spring	38	Hammer Spring	Safety Plunger	
14	Safety	39	Hammer Spring Cap	Right Safety-Lever	
15	Firing Pin Plunger	40	Sear	Safety Lever Pin	
16	Safety Ball Spring	41	Sear Spring	Firing Pin Catch Lever	
17	Safety Ball	42	Sear Pin	Magazine Release Button	
18	Recoil Spring	43	Magazine Release Button	Spring Bush (Short)	
19	Recoil Spring Guide	44	Magazine Release Button Bushing	Magazine Release Button	
20	Frame	45	Safety Pin	Spring Bush (Long)	
21	Disassembling Latch	46	Magazine Release Button Spring	Magazine Release Button	
22	Slide Catch Spring	47	Hammer Spring Cap Pin	Spring Bush Plunger	
23	Slide Catch	48	Left Grip Panel		
24	Trigger	49	Right Grip Panel		
25	Trigger Pin				

Model 92SB, 92SB Compact and 98 Auto

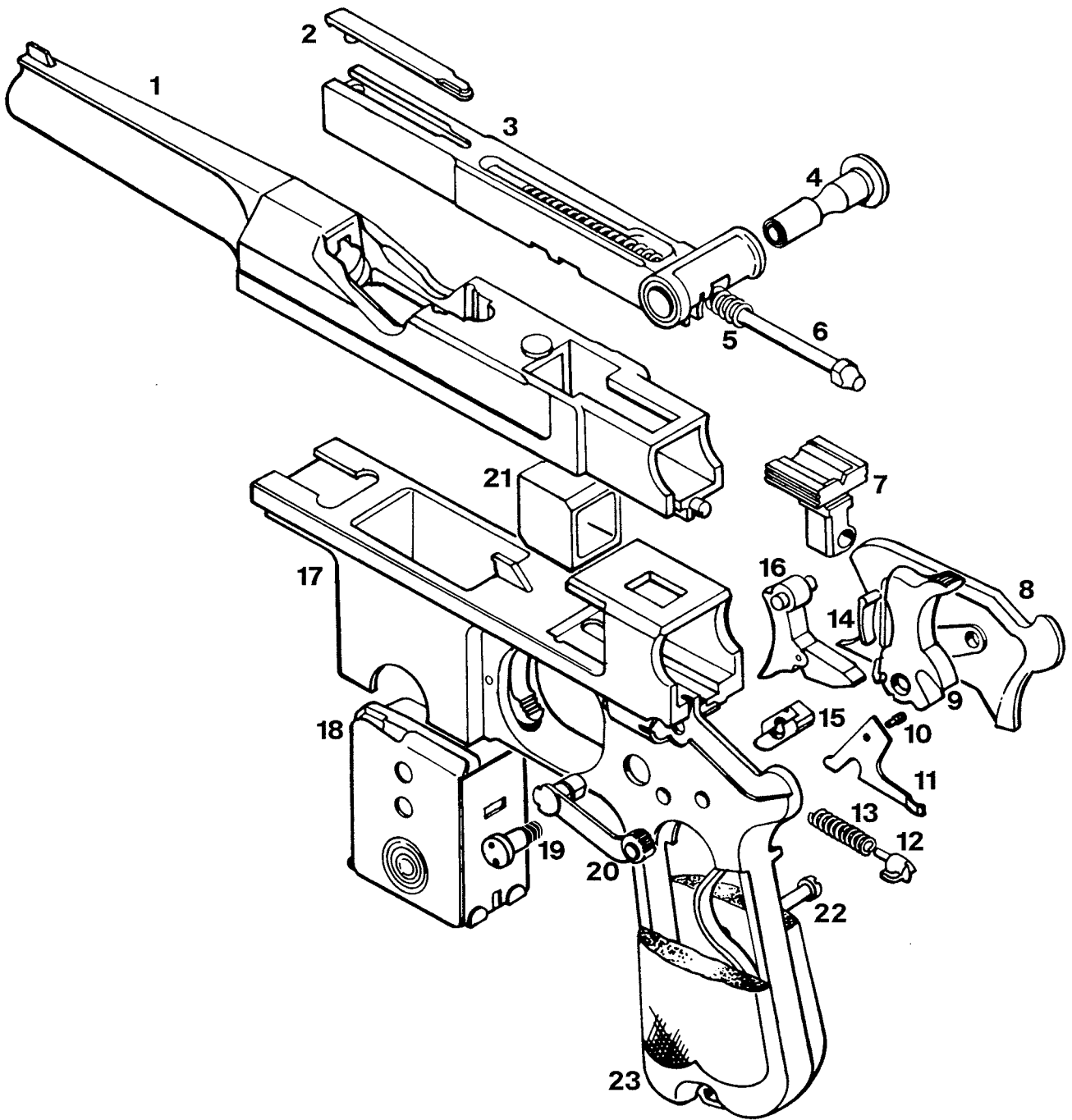


1	Barrel	23	Trigger Pin	43	Hammer Spring Cap Pin
2	Locking Block	24	Trigger Spring	44	Grip Screws
3	Locking Block Plunger	25	Trigger Bar	45	Grip Screw Bushings
4	Locking Block Spring Pin	26	Trigger Bar Spring	46	Magazine Floorplate
5	Slide	27	Disassembly Latch	47	Firing Pin Catch Spring
6	Extractor	28	Disassembly Latch	48	Firing Pin Catch
7	Extractor Pin	29	Release Button	49	Spring Pin
8	Extractor Spring	30	Release Button Spring	50	Safety Plunger Spring
9	Rear Sight	31	Hammer Release Lever	51	Safety Plunger
10	Trigger Bar Release Plunger	32	Ejector	52	Right Safety-Lever
11	Trigger Bar Release Plunger Spring	33	Ejector Pin	53	Safety-Lever Pins
12	Firing Pin	34	Hammer	54	Firing Pin Catch lever
13	Firing Pin Spring	35	Hammer Pin	55	Magazine Release Button
14	Safety	36	Hammer Spring Guide	56	Spring Bush (Short)
15	Firing Pin plunger	37	Hammer Spring	57	Magazine Release Button
16	Recoil Spring	38	Hammer Spring Cap	58	Spring Bush (Long)
17	Recoil Spring Guide	39	Sear	59	Left Grip Panel
18	Frame	40	Sear Spring	60	Right Grip Panel
19	Disassembly Latch	41	Sear Pin	61	Magazine Follower
20	Slide Catch Spring	42	Magazine Release Button	62	Magazine Body
21	Slide Catch		Magazine Release Button Spring		Magazine Spring
22	Trigger				Magazine Spring Plate

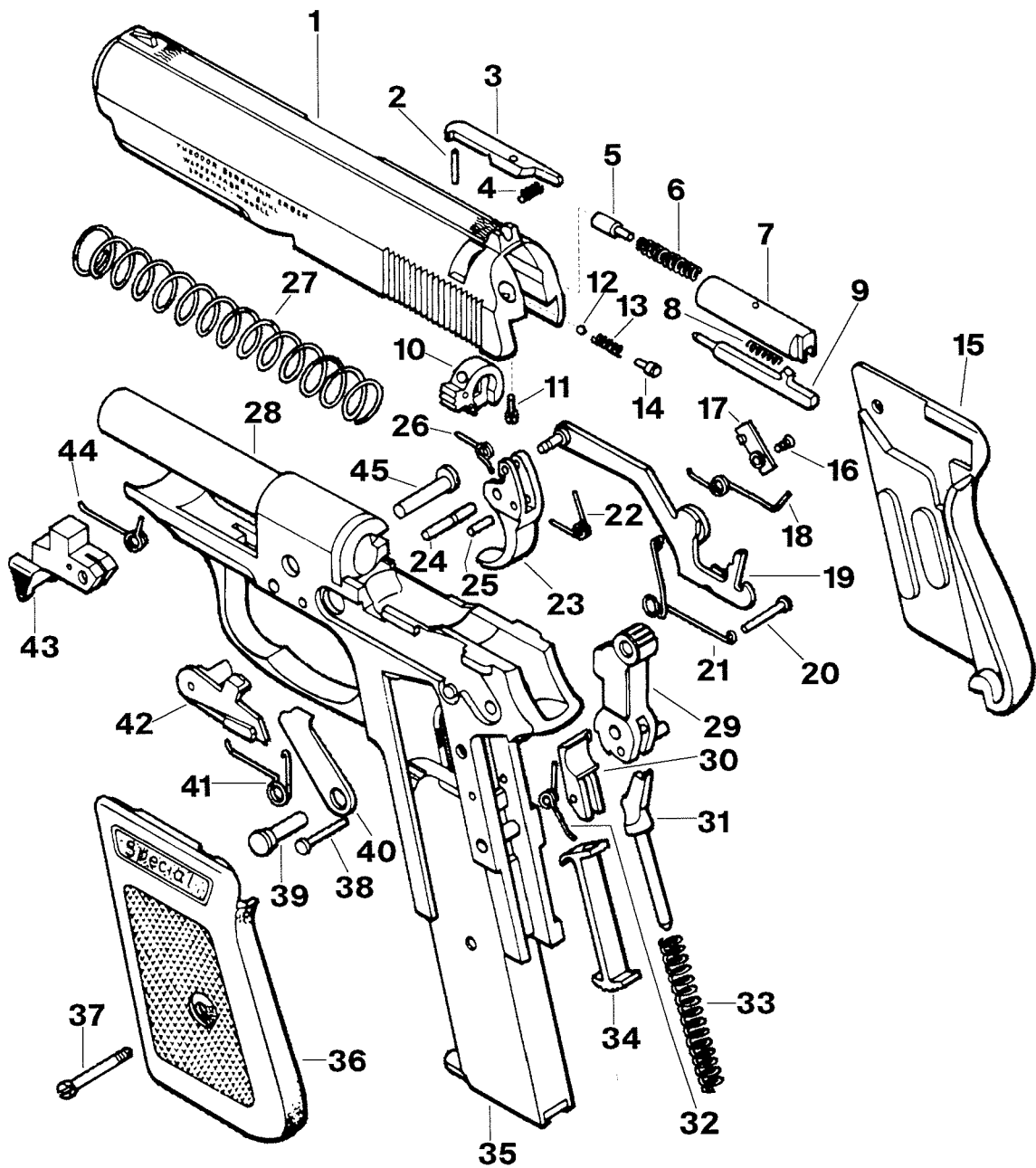
Model 950 B and 950 BS Auto



1	Slide	16	Sear Pin	31	Follower
2	Barrel	17	Magazine Release Button	32	Magazine Spring Plate
3	Firing Pin	18	Magazine Catch Spring	33	Magazine Spring
4	Firing Pin Spring	19	Magazine Catch	34	Magazine Floorplate
5	Firing Pin Retaining Pin	20	Recoil Spring	35	Safety
6	Frame	21	Recoil Spring Pin	36	Safety Spring
7	Ejector	22	Trigger Guard	37	Safety Spring Plunger
8	Barrel Lever	23	Trigger	38	Left Grip Panel
9	Ejector Pin	24	Trigger Pin	39	Right Grip Panel
10	Hammer	25	Trigger Bar Spring	40	Barrel Mounting Pin
11	Hammer/Safety Stop Pin (950 BS)	26	Trigger Bar Spring Plunger		Parts Not Shown
12	Hammer Strut	27	Trigger Bar		Sear
13	Hammer Spring	28	Trigger Bar Pin		Magazine Follower Retaining Screw
14	Hammer Spring Retainer	29	Grip Screws		Barrel Lever Stop Screw
15	Sear Spring	30	Magazine Body		

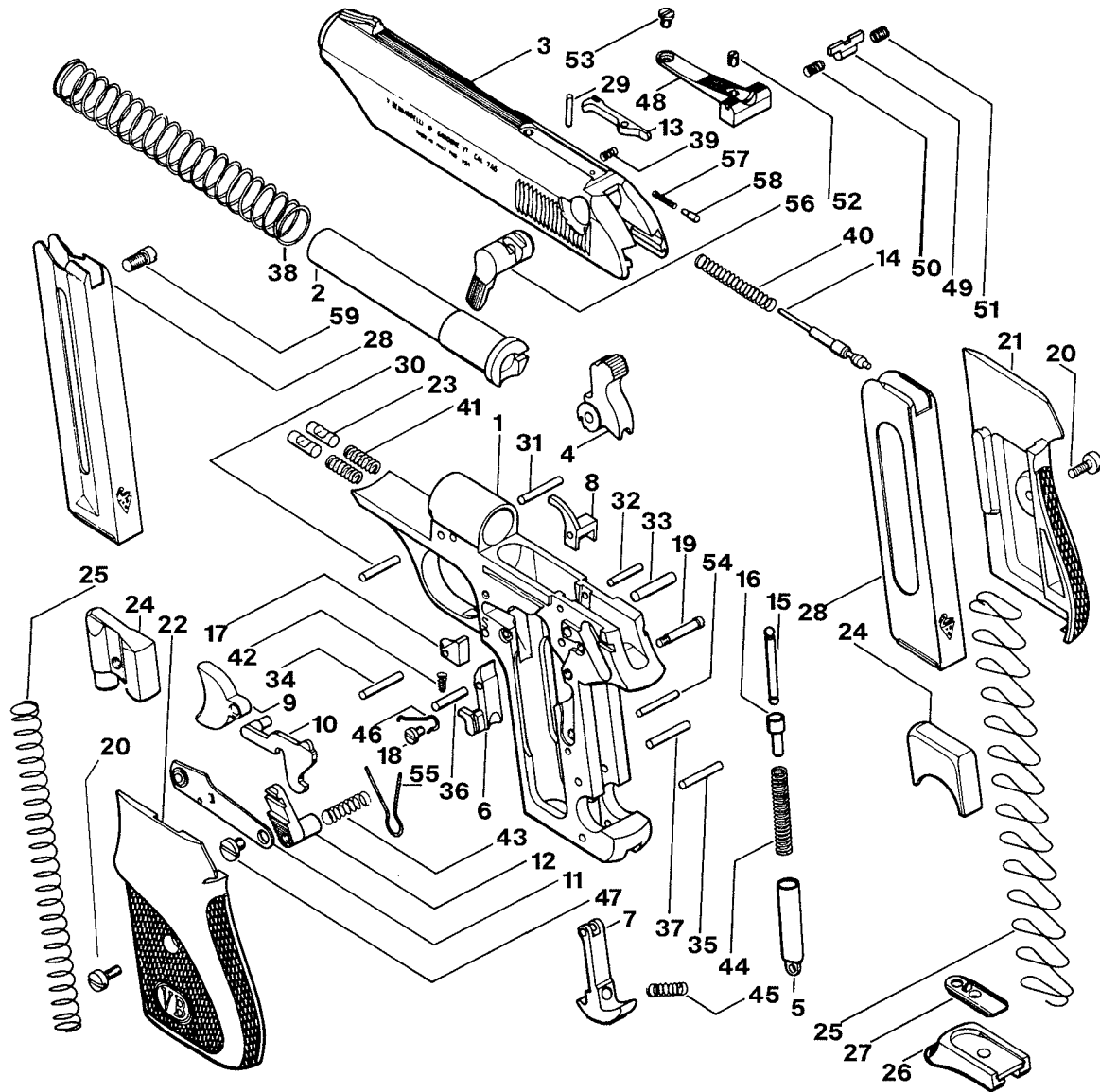
Model 1908 Auto

- | | | | | | |
|---|--------------------------|----|--------------------|----|--------------------|
| 1 | Barrel and Extension | 9 | Hammer | 17 | Frame |
| 2 | Extractor | 10 | Disconnecter Screw | 18 | Magazine Assembly |
| 3 | Bolt | 11 | Disconnecter | 19 | Sideplate Retainer |
| 4 | Bolt Knob Insert | 12 | Safety Plunger | 20 | Safety-Lever |
| 5 | Firing Pin Spring | 13 | Safety Spring | 21 | Locking Block |
| 6 | Firing Pin | 14 | Sear Spring | 22 | Grip Screw |
| 7 | Rear Sight/Bolt Retainer | 15 | Sear | 23 | Grip Panel |
| 8 | Sideplate | 16 | Trigger Assembly | | |



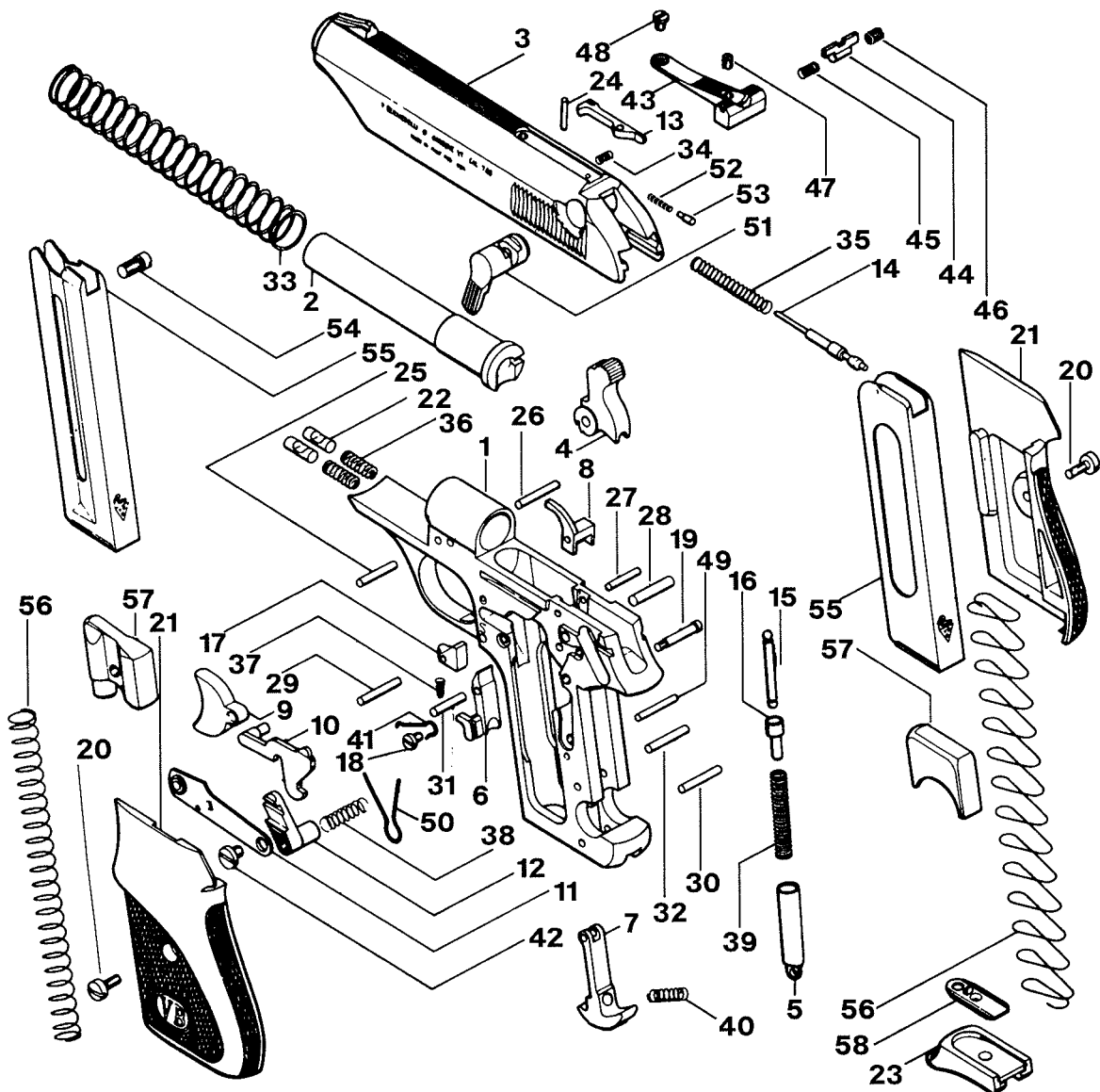
1	Slide	16	Retainer Plate Screw	31	Hammer Strut
2	Extractor Pin	17	Spring Retainer Plate	32	Sear Spring
3	Extractor	18	Trigger Bar Guide Spring	33	Hammer Spring
4	Extractor Spring	19	Trigger Bar	34	Magazine Catch
5	Housing Plunger	20	Spring Retainer Pin	35	Magazine
6	Plunger Spring	21	Trigger Bar Spring	36	Left Grip
7	Firing Pin Housing	22	Pin Retainer Spring	37	Grip Screw
8	Firing Pin Spring	23	Trigger	38	Sear Stop Pin
9	Firing Pin	24	Trigger Pin	39	Hammer Pin
10	Safety Catch	25	Retainer Spring Pin	40	Ejector
11	Detent Retainer Screw	26	Trigger Spring	41	Hold-Open Spring
12	Detent Ball	27	Recoil Spring	42	Hold-Open Catch
13	Detent Spring	28	Frame and Barrel Assembly	43	Takedown Latch
14	Spring Guide	29	Hammer	44	Takedown Latch Spring
15	Right Grip	30	Sear	45	Takedown Latch Pin

Model 60 Auto



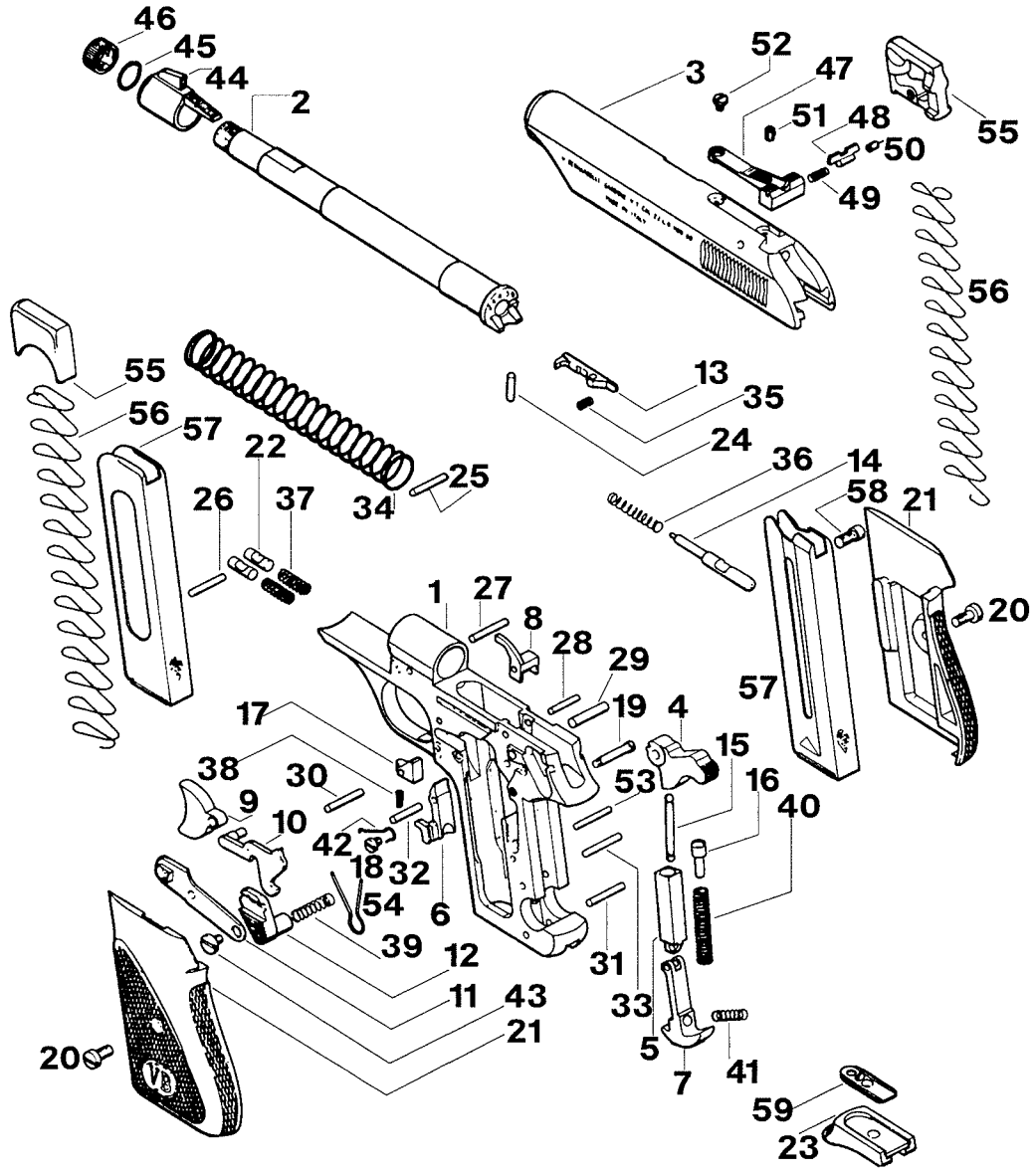
1	Receiver	21	Right Grip	41	Buffer Spring
2	Barrel	22	Left Grip	42	Magazine Safety Spring
3	Slide	23	Slide Buffer	43	Takedown Button Spring
4	Hammer	24	Magazine Platform	44	Mainspring
5	Mainspring Holder	25	Magazine Spring	45	Magazine Catch Spring
6	Sear	26	Finger Extension	46	Trigger Bar Spring
7	Magazine Catch	27	Magazine Bottom Plate	47	Safety Screw
8	Ejector	28	Magazine Shell	48	Rear Sight Leaf
9	Trigger	29	Extractor Pin	49	Sight Blade
10	Trigger Bar	30	Buffer Pin	50	Windage Spring
11	Safety	31	Barrel Pin	51	Windage Screw
12	Takedown Button	32	Ejector Pin	52	Elevation Screw
13	Extractor-Indicator Pin	33	Hammer Pin	53	Leaf Sight Screw
14	Firing Pin	34	Magazine Safety Pin	54	Mainspring Holder Stop Pin
15	Mainspring Strut	35	Magazine Catch Pin	55	Sear Spring
16	Mainspring Guide	36	Sear Pin	56	Safety Lock
17	Magazine Safety	37	Mainspring Holder and Grip Pin	57	Safety Lock Spring
18	Trigger Bar Spring Screw	38	Recoil Spring	58	Safety Lock Spring Detent
19	Takedown Button Screw	39	Extractor Spring	59	Magazine Follower Stud
20	Grip Screw	40	Firing Pin Spring		

Model 80 Auto



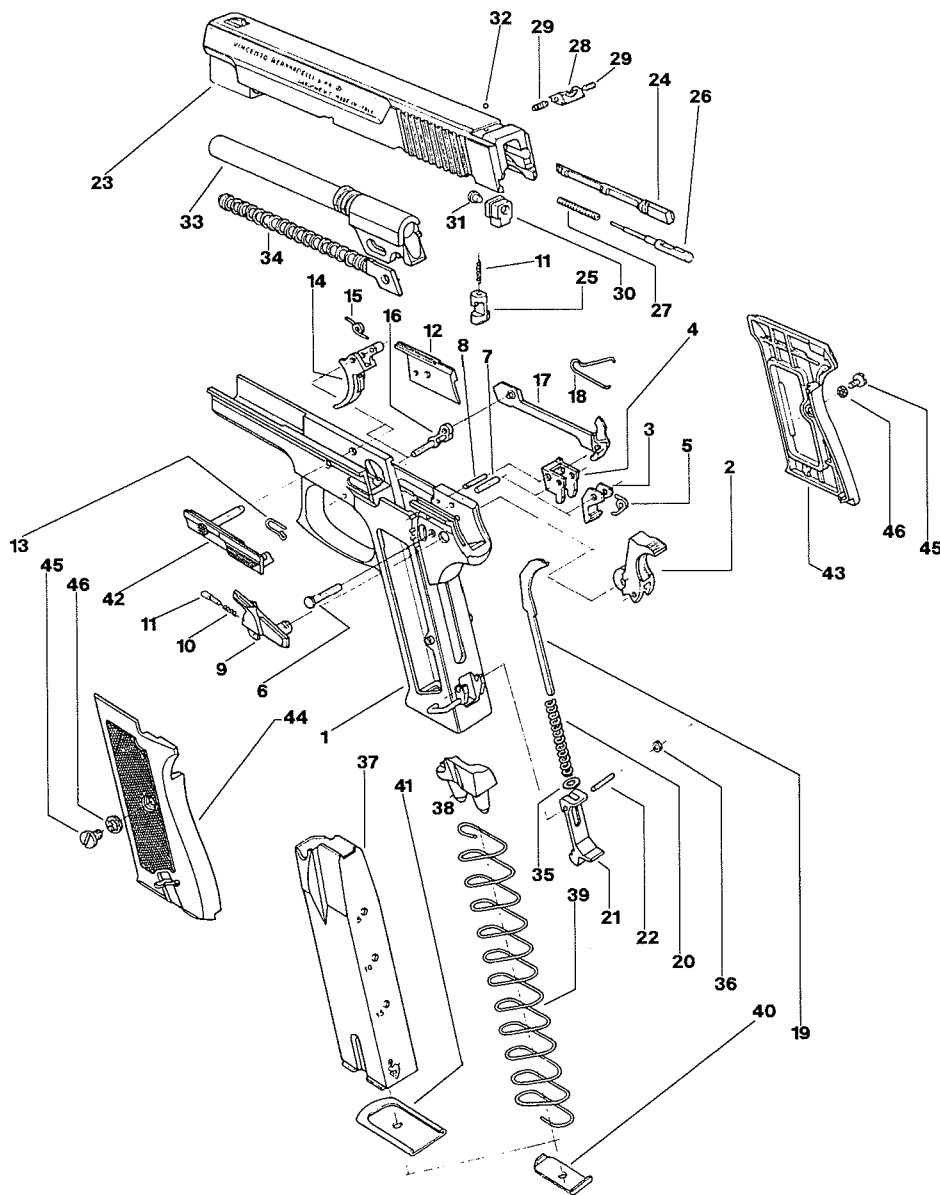
1	Frame	21	Grips	41	Magazine Catch Spring
2	Barrel	22	Slide Buffers	42	Trigger Bar Spring
3	Slide	23	Magazine Finger Rest	43	Safety-Lever Screw
4	Hammer	24	Extractor Pin	44	Front Sight Ramp
5	Mainspring Guide	25	Firing Pin Stop Pin	45	Front Sight Spring
6	Sear	26	Buffer Pin	46	Front Sight Screw Ring
7	Magazine Catch	27	Barrel Pin	47	Rear Sight Base
8	Ejector	28	Ejector Pin	48	Rear Sight Leaf
9	Trigger	29	Hammer Pin	49	Windage Spring
10	Trigger Bar	30	Magazine Safety Pin	50	Windage Screw
11	Safety-Lever	31	Magazine Catch Stop Pin	51	Elevation Screw
12	Takedown Button	32	Magazine Pin	52	Rear Sight Screw
13	Extractor	33	Magazine Catch Pin	53	Mainspring Guide Stop Pin
14	Firing Pin	34	Recoil Spring	54	Sear Spring
15	Mainspring Strut	35	Extractor Spring	55	Magazine Follower
16	Mainspring Plunger	36	Firing Spring	56	Magazine Spring
17	Magazine Safety	37	Buffer Springs	57	Magazine Body
18	Trigger Bar Spring Screw	38	Magazine Safety Spring	58	Magazine Follower Stud
19	Takedown Button Screw	39	Takedown Button Spring	59	Magazine Spring Plate
20	Grip Screws	40	Mainspring		

Model 90 Auto



1	Frame	21	Grips	41	Magazine Catch Spring
2	Barrel	22	Slide Buffers	42	Trigger Bar Spring
3	Slide	23	Magazine Finger Rest	43	Safety-Lever Screw
4	Hammer	24	Extractor Pin	44	Front Sight Ramp
5	Mainspring Guide	25	Firing Pin Stop Pin	45	Front Sight Spring
6	Sear	26	Buffer Pin	46	Front Sight Screw Ring
7	Magazine Catch	27	Barrel Pin	47	Rear Sight Base
8	Ejector	28	Ejector Pin	48	Rear Sight Leaf
9	Trigger	29	Hammer Pin	49	Windage Spring
10	Trigger Bar	30	Magazine Safety Pin	50	Windage Screw
11	Safety-Lever	31	Magazine Catch Stop Pin	51	Elevation Screw
12	Takedown Button	32	Sear Pin	52	Rear Sight Screw
13	Extractor	33	Magazine Catch Pin	53	Mainspring Guide Stop Pin
14	Firing Pin	34	Recoil Spring	54	Sear Spring
15	Mainspring Strut	35	Extractor Spring	55	Magazine Follower
16	Mainspring Plunger	36	Firing Spring	56	Magazine Spring
17	Magazine Safety	37	Buffer Springs	57	Magazine Body
18	Trigger Bar Spring Screw	38	Magazine Safety Spring	58	Magazine Follower Stud
19	Takedown Button Screw	39	Takedown Button Spring	59	Magazine Spring Plate
20	Grip Screws	40	Mainspring		

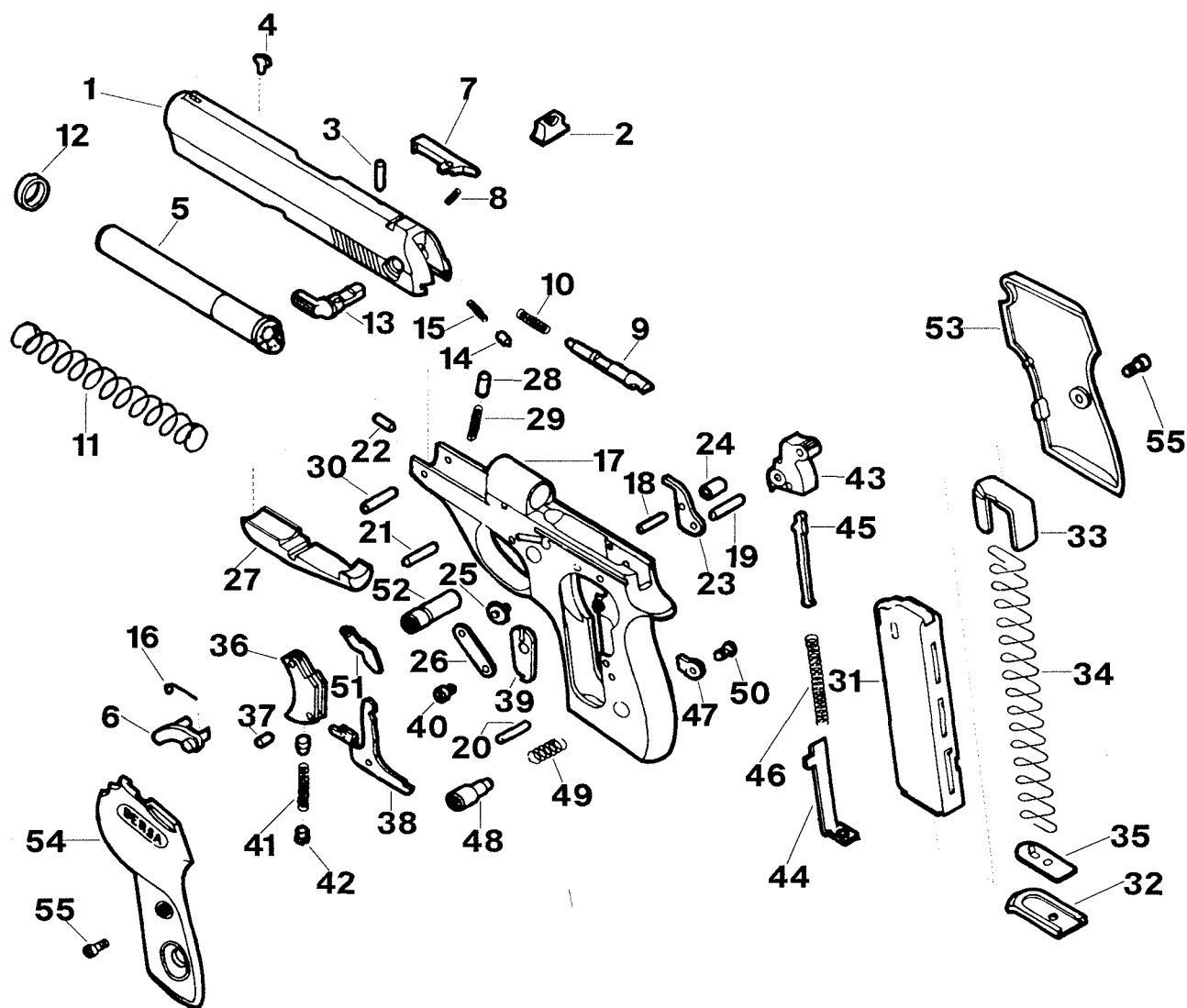
Model PO-18 Auto



1	Frame	19	Hammer Spring Strut	35	Hammer Spring Washer
2	Hammer	20	Hammer Spring	36	Hammer Spring Base
3	Sear	21	Hammer Spring Base/ Magazine Catch		Pin Spacer
4	Sear Lever	22	Hammer Spring Base/ Magazine Spring	37	Magazine Body
5	Sear Spring	23	Slide	38	Magazine Follower
6	Hammer Pin	24	Extractor	39	Magazine Spring
7	Sear Pin	25	Firing Pin Block	40	Magazine Spring Plate
8	Sear Spring Detent Pin	26	Firing Pin	41	Magazine Floorplate
9	Safety	27	Firing Pin Spring	42	Slide Latch
10	Safety Catch Plunger Spring	28	Rear Sight Blade	43	Right Grip Panel
11	Safety Catch Plunger	29	Rear Sight Windage Screws	44	Left Grip Panel
12	Ejector	30	Firing Pin Retainer	45	Grip Screws
13	Slide Stop Spring	31	Firing Pin Piston	46	Grip Screw Bushings
14	Trigger	32	Rear Sight Positioning Ball		
15	Trigger Return Spring	33	Barrel		
16	Trigger Pivot	34	Recoil Spring and Guide		
17	Trigger Bar				
18	Trigger Bar Spring				

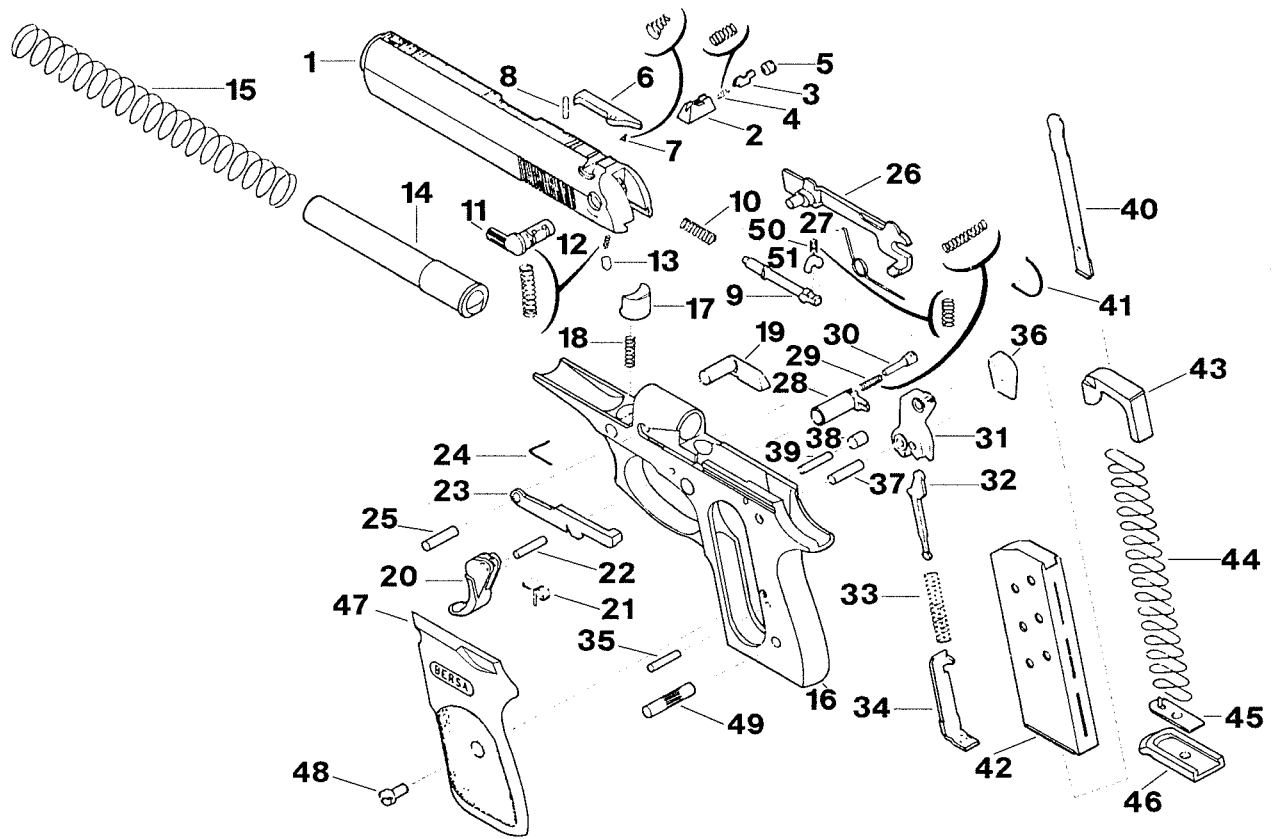
NOTE: Gun shown is very early production. Later Production guns have a one-piece firing pin retained by a cross pin and other differences.

Model 644 Auto



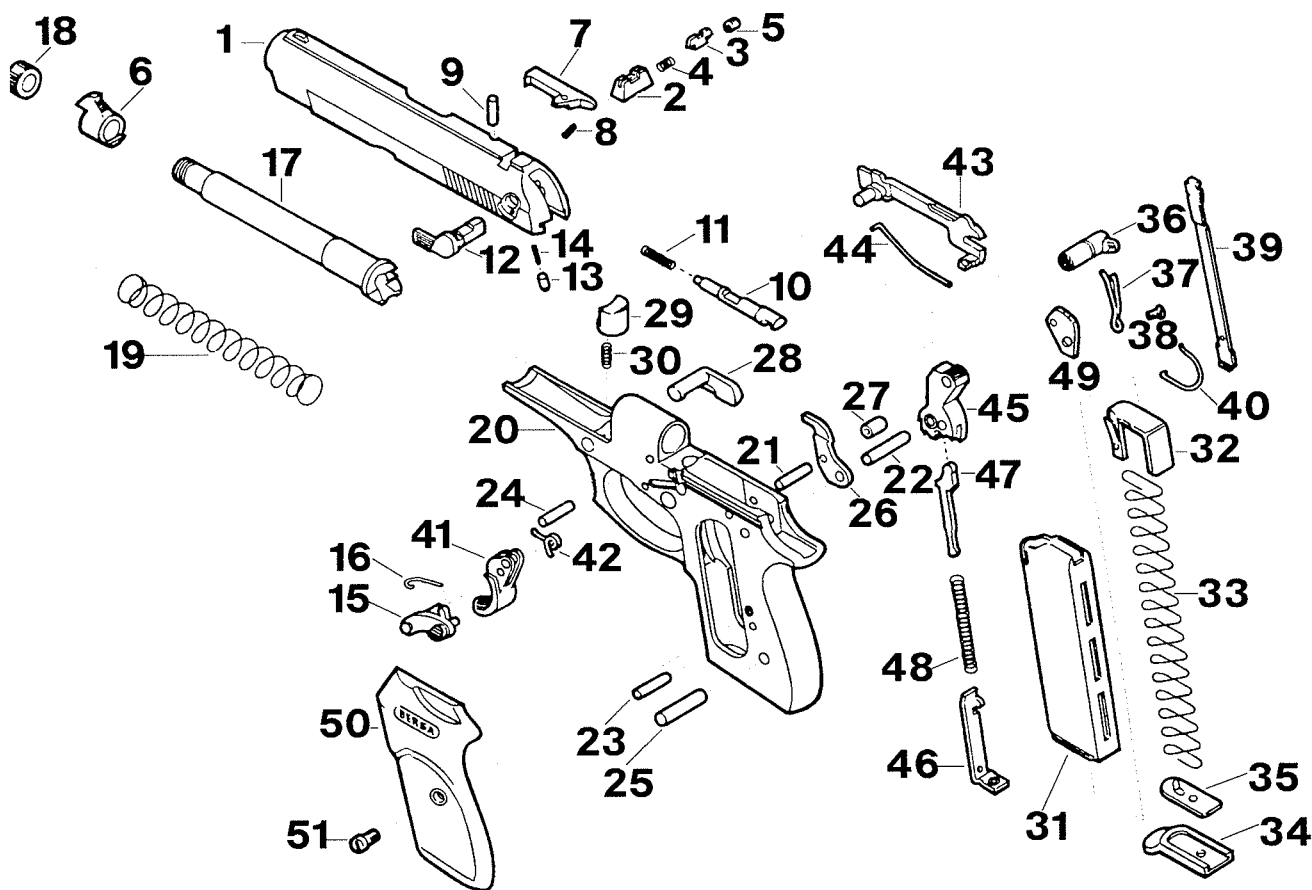
1	Slide	20	Sear Bar Pin	39	Sear Activator
2	Rear Sight	21	Barrel Retainer Pin	40	Sear Activator Screw
3	Extractor Pin	22	Disassembly Latch Limit Pin	41	Trigger Spring
4	Front Sight	23	Ejector	42	Trigger Spring Guide
5	Barrel	24	Ejector Bushing	43	Hammer
6	Slide Stop	25	Magazine Safety	44	Sear Bar
7	Extractor	26	Magazine Safety Spring	45	Hammer Spring Guide
8	Extractor Spring	27	Takedown Latch	46	Hammer Spring
9	Firing Pin	28	Takedown Latch Spring Plug	47	Magazine Latch
10	Firing Pin Spring	29	Takedown Latch Spring	48	Magazine Release Button
11	Recoil Spring	30	Takedown Latch Pin	49	Magazine Latch Spring
12	Barrel Bushing	31	Magazine Body	50	Magazine Latch Screw
13	Firing Pin Safety	32	Magazine Floorplate	51	Trigger Safety Bar
14	Firing Pin Safety Stop	33	Magazine Follower	52	Trigger Safety Button
15	Firing Pin Safety Spring	34	Magazine Spring	53	Right Grip Panel
16	Slide Stop Spring	35	Magazine Floorplate Latch	54	Left Grip Panel
17	Frame	36	Trigger	55	Grip Screws
18	Ejector Pin	37	Disconnecter Pin		
19	Hammer Pin	38	Disconnecter		

Model 83-73 Auto



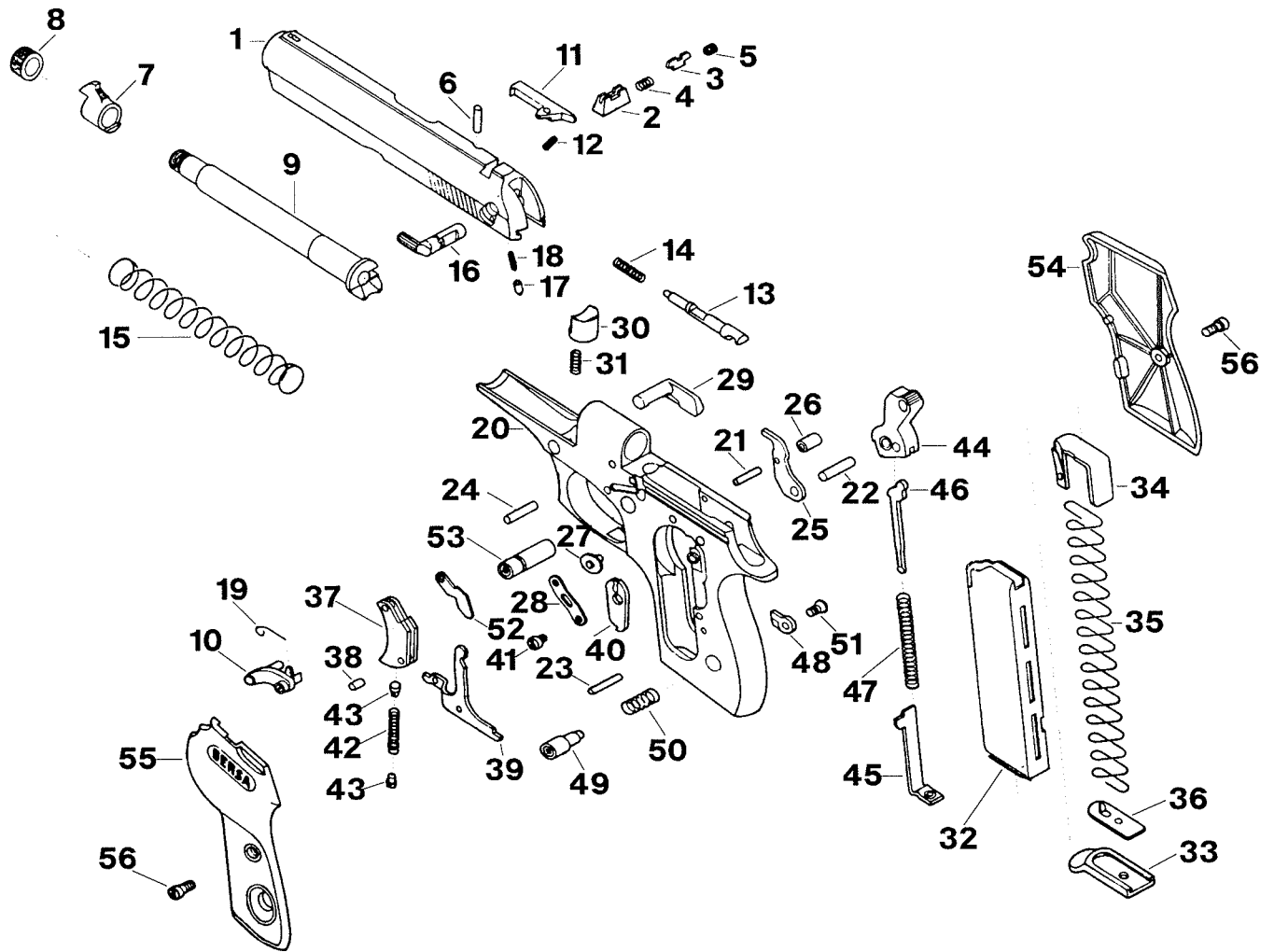
1	Slide	27	Disconnecter Spring
2	Rear Sight	28	Magazine Catch
3	Rear Sight Blade	29	Magazine Catch Spring
4	Rear Sight Spring	30	Magazine Catch Pin
5	Rear Sight Screw	31	Hammer
6	Extractor	32	Hammer Spring Guide
7	Extractor Spring	33	Hammer Spring
8	Extractor Pin	34	Cocking Piece
9	Firing Pin	35	Cocking Piece Pin
10	Firing Pin Spring	36	Hammer Release
11	Safety	37	Hammer Pin
12	Safety Spring	38	Hammer Release Bush
13	Safety Stop	39	Hammer Release Pin
14	Barrel	40	Magazine Safety
15	Recoil Spring	41	Magazine Safety Spring
16	Frame	42	Magazine
17	Slide Stop	43	Feeder Platform
18	Slide Stop Spring	44	Magazine Spring
19	Disassembly Bar	45	Magazine Bottom Holder
20	Trigger	46	Magazine Bottom
21	Trigger Spring	47	Grip
22	Trigger Pin	48	Grip Screw
23	Slide Catch	49	Grip Pin
24	Slide Catch Spring	50	Firing Pin Stop Spring
25	Slide Catch Pin	51	Firing Pin Stop
26	Disconnecter		

Model 223 Auto



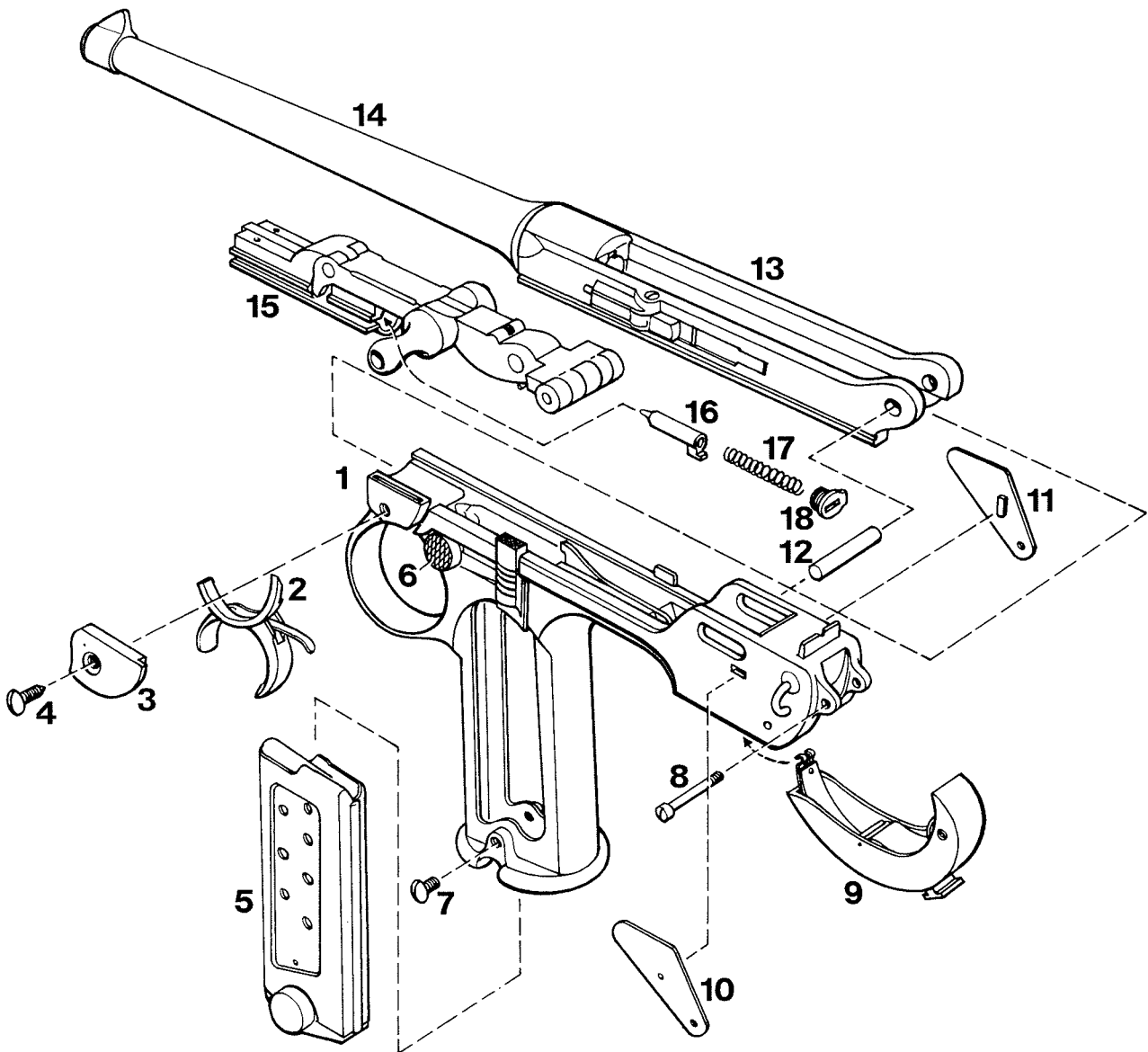
1	Slide	27	Ejector Bush
2	Rear Sight	28	Disassembly Piece
3	Rear Sight Blade	29	Slide Stop
4	Rear Sight Spring	30	Slide Stop Spring
5	Rear Sight Screw	31	Magazine
6	Front Sight	32	Feeder Platform
7	Extractor	33	Magazine Spring
8	Extractor Spring	34	Magazine Bottom
9	Extractor Pin	35	Magazine Bottom Holder
10	Firing Pin	36	Magazine Catch
11	Firing Pin Spring	37	Magazine Catch Spring
12	Safety	38	Magazine Catch Screw
13	Safety Stop	39	Magazine Safety
14	Safety Spring	40	Magazine Safety Spring
15	Catch Slide	41	Trigger
16	Catch Slide Spring	42	Trigger Spring
17	Barrel	43	Disconnecter
18	Front Sight Nut	44	Disconnecter Spring
19	Recoil Spring	45	Hammer
20	Frame	46	Cocking Piece
21	Ejector Pin	47	Hammer Spring Guide
22	Hammer Pin	48	Hammer Spring
23	Cocking Piece Pin	49	Hammer Release
24	Barrel Pin	50	Grip Plate
25	Grip Pin	51	Grip Plate Screw
26	Ejector		

Model 224, 225 and 226 Auto



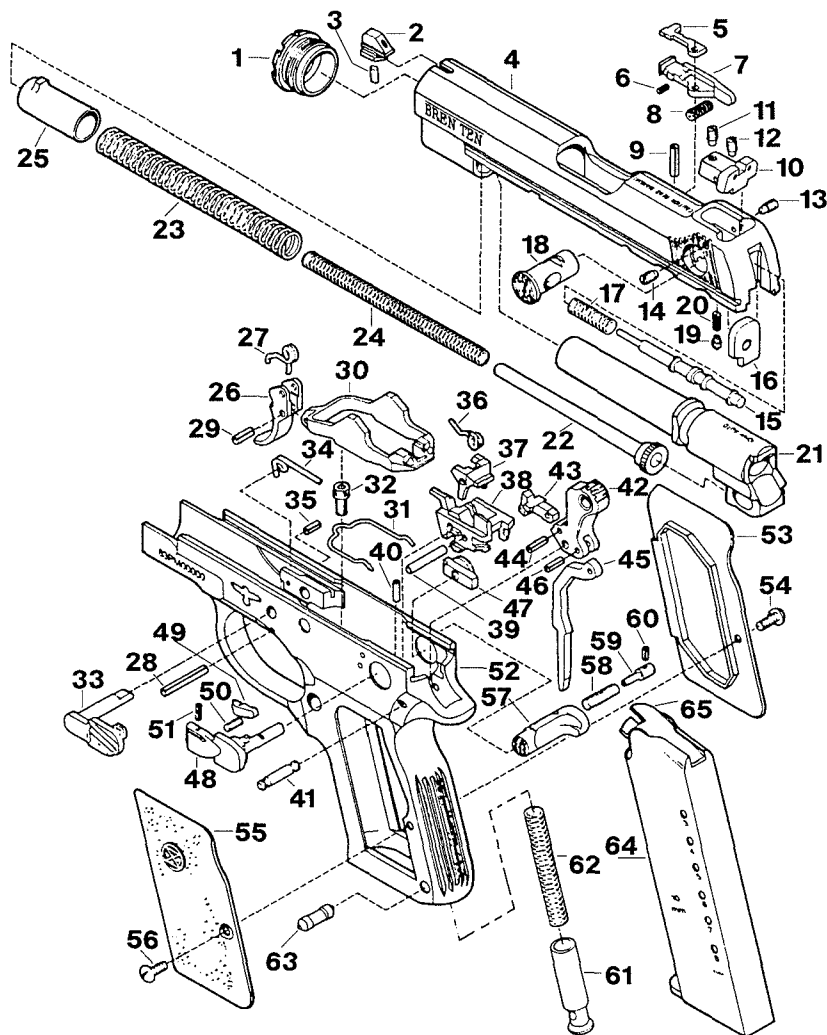
1	Slide	20	Frame	39	Disconnecter
2	Rear Sight Body	21	Ejector Pin	40	Release Piece
3	Rear Sight Blade	22	Hammer Pin	41	Release Piece Screw
4	Rear Sight Spring	23	Cocking Piece Pin	42	Trigger Spring
5	Rear Sight Screw	24	Barrel Pin	43	Trigger Spring Pin
6	Extractor Pin	25	Ejector	44	Hammer
7	Front Sight	26	Ejector Bush	45	Cocking Piece
8	Front Sight Nut	27	Magazine Safety	46	Hammer Spring Guide
9	Barrel	28	Magazine Safety Spring	47	Hammer Spring
10	Catch Slide	29	Disassembly Piece	48	Magazine Catch
11	Extractor	30	Slide Top	49	Magazine Button
12	Extractor Spring	31	Slide Top Spring	50	Magazine Catch Spring
13	Firing Pin	32	Magazine Body	51	Magazine Catch Screw
14	Firing Pin Spring	33	Magazine Bottom	52	Trigger Safety
15	Recoil Spring	34	Feeder Platform	53	Safety Button
16	Firing Pin Safety	35	Magazine Spring	54	Grip Plate Right
17	Firing Pin Safety Top	36	Magazine Bottom Holder	55	Grip Plate Left
18	Firing Pin Safety Spring	37	Trigger	56	Grip Screws
19	Catch Slide Spring	38	Disconnecter Pin		

Autoloading Pistol



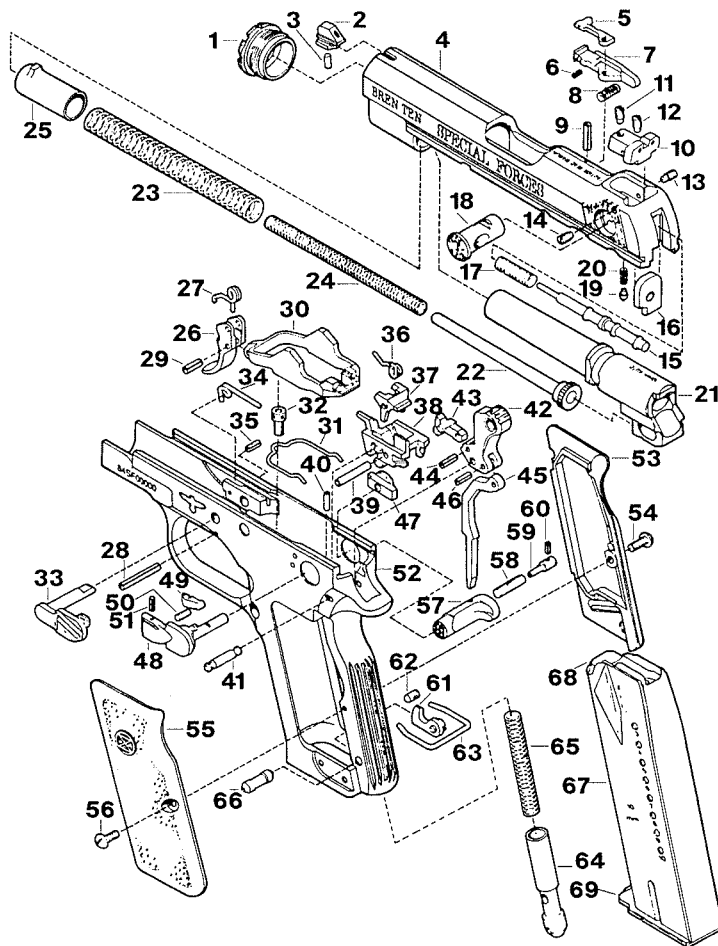
1	Frame	11	Cover Plate (Right)
2	Trigger	12	Connecting Pin
3	Trigger Cover	13	Receiver
4	Trigger Cover Screw	14	Barrel
5	Magazine Assembly	15	Breechblock and Toggle Links
6	Magazine Catch Button	16	Firing Pin
7	Grip Screw	17	Firing Pin Spring
8	Recoil Spring Housing Screw	18	Firing Pin Screw
9	Recoil Spring Housing with Recoil Spring		
10	Cover Plate (Left)		
		Parts Not Shown	
			Grips

Pocket Auto



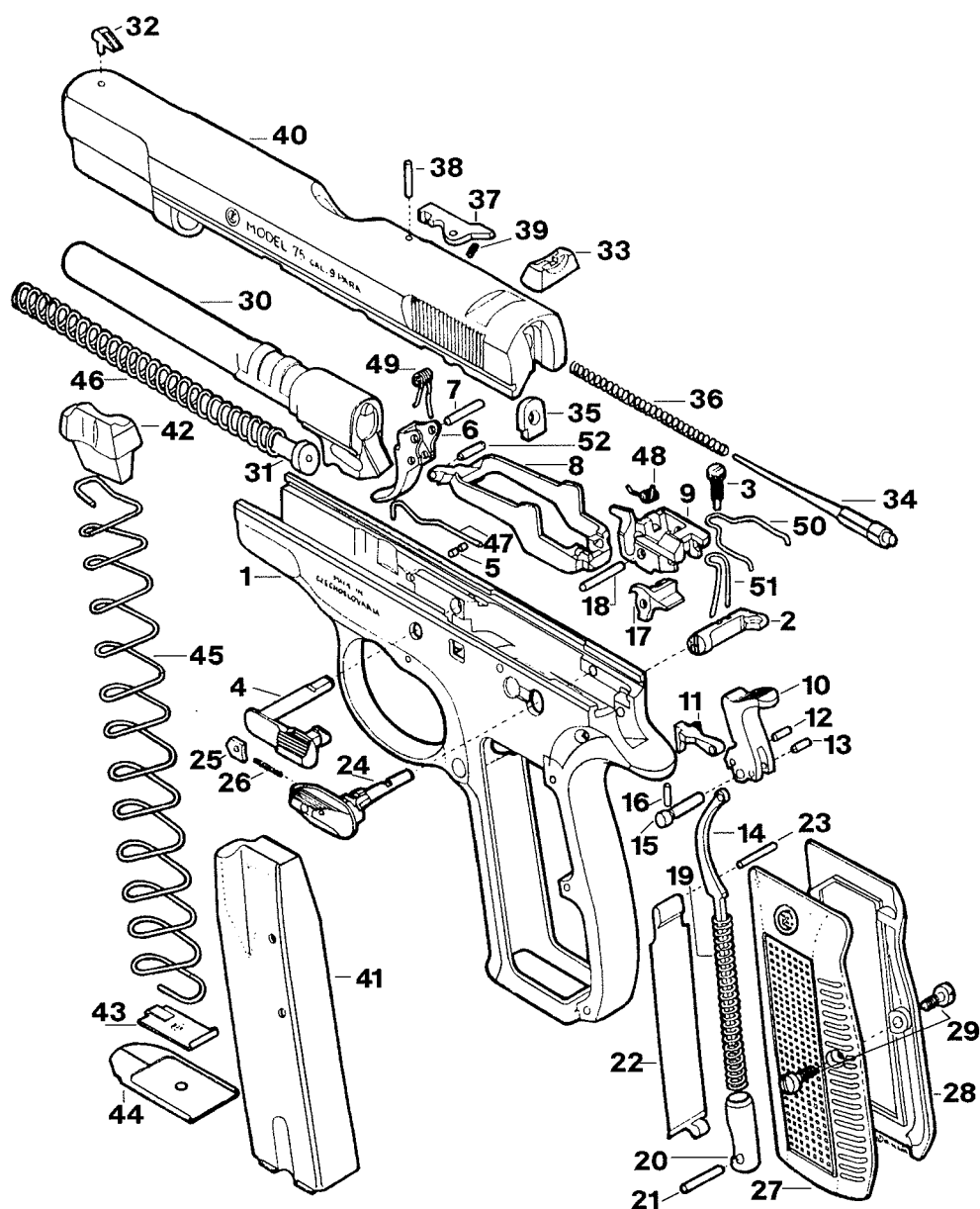
1	Barrel Bushing	21	Barrel	44	Hook Pin
2	Front Sight	22	Recoil Spring Guide	45	Hammer Strut
3	Front Sight Plug	23	Recoil Spring, Outer	46	Strut Pin
4	Slide	24	Recoil Spring, Inner	47	Thumb Safety Bushing
5	Loaded Chamber Indicator	25	Recoil Spring Tube/Barrel	48	Thumb Safety-Lever
6	Loaded Chamber Indicator Spring		Bushing Lock	49	Thumb Safety-Lever Detent
7	Extractor	26	Trigger	50	Thumb Safety-Lever Detent Spring
8	Extractor Spring	27	Trigger Return Spring	51	Thumb Safety-Lever Detent Pin
9	Extractor Pin	28	Trigger Pivot Pin	52	Receiver (Frame)
10	Rear Sight	29	Trigger Bar Pivot Pin	53	Right Stock
11	Forward Rear Sight Elevation	30	Trigger Bar	54	Right Stock Screw
	Adjustment Screw	31	Trigger Bar Spring	55	Left Stock
12	Rearward Rear Sight Elevation	32	Trigger Bar Spring Screw	56	Left Stock Screw
	Adjustment Screw	33	Slide Stop	57	Magazine Release
13	Right Rear Sight Windage	34	Slide Stop Spring	58	Magazine Release Spring
	Adjustment Screw	35	Slide Stop Spring Pin	59	Magazine Release Lock
14	Left Rear Sight Windage	36	Sear Spring	60	Magazine Release Lock Pin
	Adjustment Screw	37	Sear	61	Mainspring Retainer
15	Firing Pin	38	Sear Housing	62	Mainspring
16	Firing Pin Retainer	39	Sear Pin	63	Mainspring Retainer Pin
17	Firing Pin Spring	40	Hammer Pin Retainer	64	Magazine Body
18	Firing Pin Block	41	Hammer Pin	65	Magazine Follower
19	Firing Pin Block Detent	42	Hammer		
20	Firing Pin Block Detent Spring	43	Double Action Hook		
				Parts Not Shown	
					Magazine Spring

Special Forces Model Auto



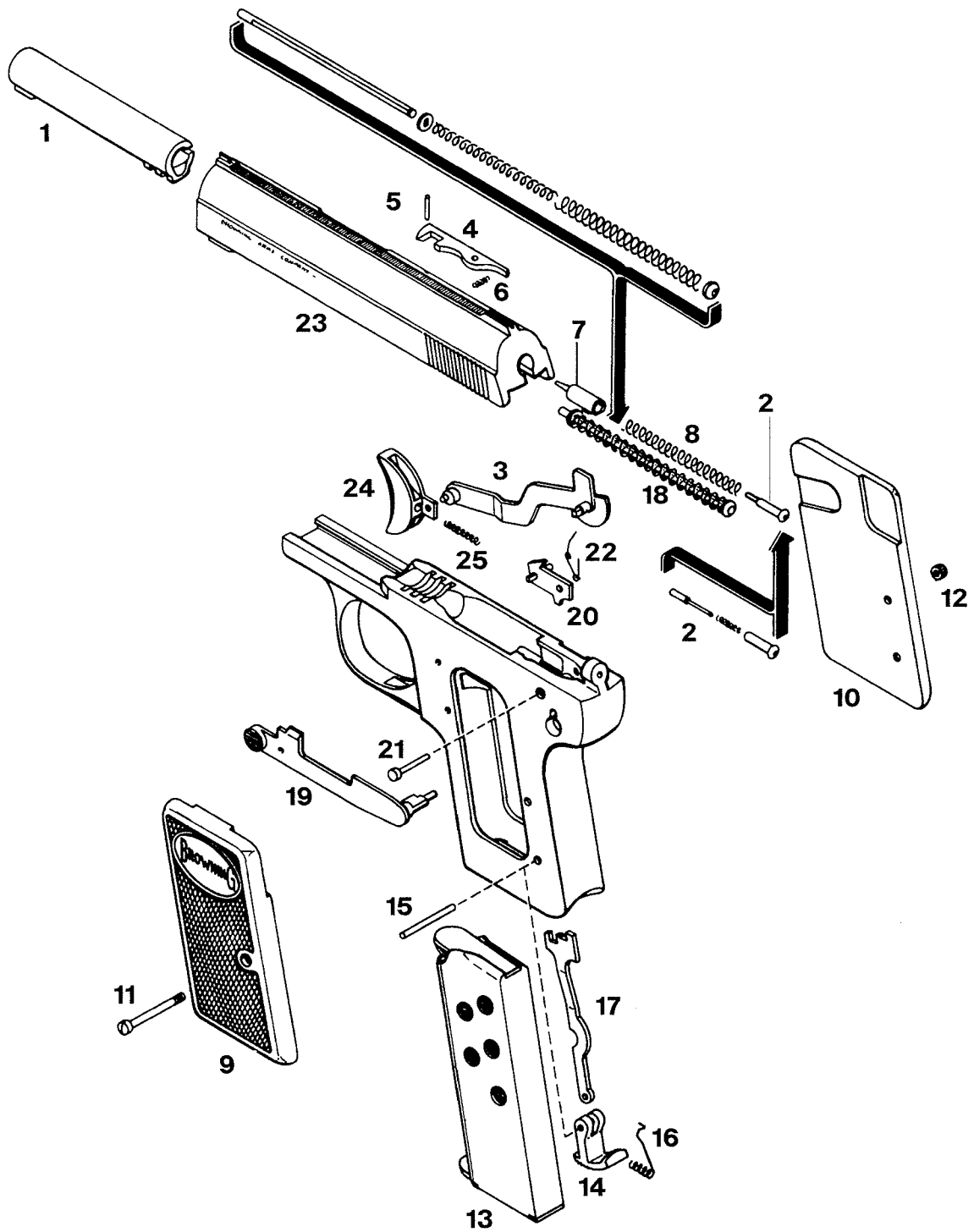
1	Barrel Bushing	23	Recoil Spring, Outer	49	Thumb Safety-Lever Detent
2	Front Sight	24	Recoil Spring, Inner	50	Thumb Safety-Lever Detent Spring
3	Front Sight Plug	25	Recoil Spring Tube/Barrel Bushing Lock	51	Thumb Safety-Lever Detent Pin
4	Slide	26	Trigger	52	Receiver (Frame)
5	Loaded Chamber Indicator	27	Trigger Return Spring	53	Right Stock
6	Loaded Chamber Indicator Spring	28	Trigger Pivot Pin	54	Right Stock Screw
7	Extractor	29	Trigger Bar Pivot Pin	55	Left Stock
8	Extractor Spring	30	Trigger Bar	56	Left Stock Screw
9	Extractor Pin	31	Trigger Bar Spring	57	Magazine Release
10	Rear Sight	32	Trigger Bar Spring Screw	58	Magazine Release Spring
11	Forward Rear Sight Elevation Adjustment Screw	33	Slide Stop	59	Magazine Release Lock
12	Rearward Rear Sight Elevation Adjustment Screw	34	Slide Stop Spring	60	Magazine Release Lock Pin
13	Right Rear Sight Windage Adjustment Screw	35	Slide Stop Spring Pin	61	Magazine Catch Selector Cam
14	Left Rear Sight Windage Adjustment Screw	36	Sear Spring	62	Magazine Catch Selector Keeper
15	Firing Pin	37	Sear	63	Magazine Catch Selector Keeper Spring
16	Firing Pin Retainer	38	Sear Housing	64	Lanyard Loop/Mainspring Retainer
17	Firing Pin Spring	39	Sear Pin	65	Mainspring
18	Firing Pin Block	40	Hammer Pin Retainer	66	Lanyard Loop/Mainspring Retainer Pin
19	Firing Pin Block Detent	41	Hammer Pin	67	Magazine Body
20	Firing Pin Block Detent Spring	42	Hammer	68	Magazine Follower
21	Barrel	43	Double Action Hook	69	Magazine Floorplate
22	Recoil Spring Guide	44	Hook Pin		
		45	Hammer Strut		
		46	Strut Pin		
		47	Thumb Safety Bushing		
		48	Thumb Safety-Lever		
				Parts Not Shown	
					Magazine Floorplate Retainer
					Magazine Spring

Model CZ-75 Auto



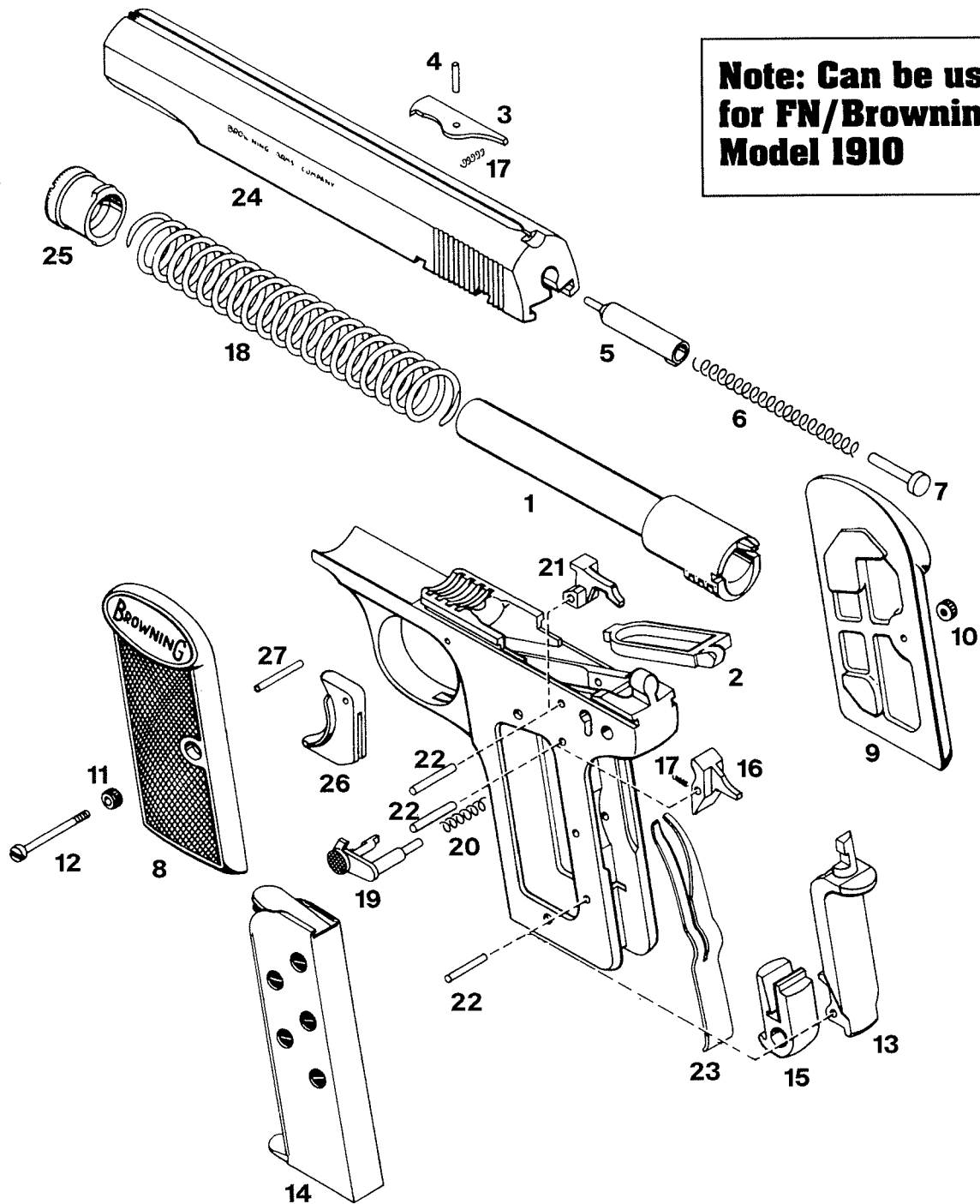
1	Frame	18	Sear Pin	36	Firing Pin Spring
2	Magazine Catch	19	Hammer Spring	37	Extractor
3	Trigger Bar Spring Screw	20	Hammer Spring Base	38	Extractor Pivot Pin
4	Slide Stop	21	Hammer Spring Base Pin	39	Extractor Spring
5	Slide Stop Pin Spring Pin	22	Magazine Security Spring Plate	40	Slide
6	Trigger	23	Magazine Security Spring Plate Pin	41	Magazine Body
7	Trigger Pin	24	Safety-Lever	42	Magazine Follower
8	Trigger Bar	25	Safety-Lever Detent Plate	43	Magazine Spring Plate
9	Sear Assembly Housing with Ejector	26	Safety-Lever Detent Plate Spring	44	Magazine Floorplate
10	Hammer	27	Left Grip	45	Magazine Spring
11	Interruptor	28	Right Grip	46	Recoil Spring
12	Interruptor Pin	29	Grip Screw	47	Slide Stop Pin Spring
13	Hammer Strut Pin	30	Barrel	48	Hammer Stop Spring
14	Hammer Strut	31	Recoil Spring Guide	49	Trigger Spring
15	Hammer Pin	32	Front Sight	50	Trigger Bar Spring
16	Hammer Pin Retaining Pin	33	Rear Sight	51	Magazine Catch Spring
17	Sear	34	Firing Pin	52	Trigger Bar Pin
		35	Firing Pin Retainer		

25 Auto



1	Barrel	10	Grip Plate, Right	19	Safety
2	Cocking Indicator Assembly	11	Grip Plate Screw	20	Sear
3	Connector	12	Grip Plate Escutcheon	21	Sear Pin
4	Extractor	13	Magazine	22	Sear Spring
5	Extractor Pin	14	Magazine Latch	23	Slide
6	Extractor Spring	15	Magazine Latch Pin	24	Trigger
7	Firing Pin	16	Magazine Latch Spring	25	Trigger Spring
8	Firing Pin Spring	17	Magazine Safety		
9	Grip Plate, Left	18	Recoil Spring Assembly		

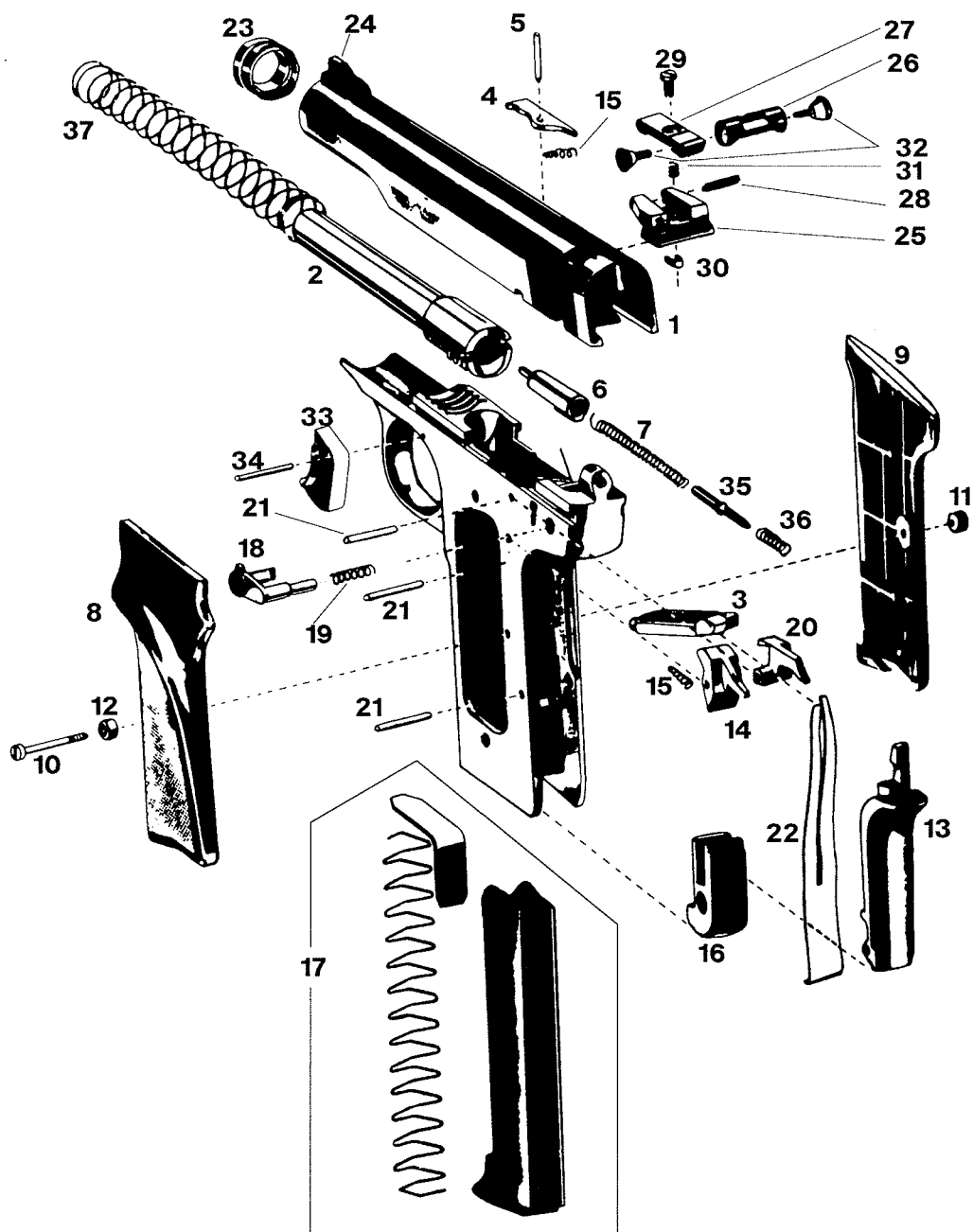
380 and 32 Auto (Pre-1969)



Note: Can be used for FN/Browning Model 1910

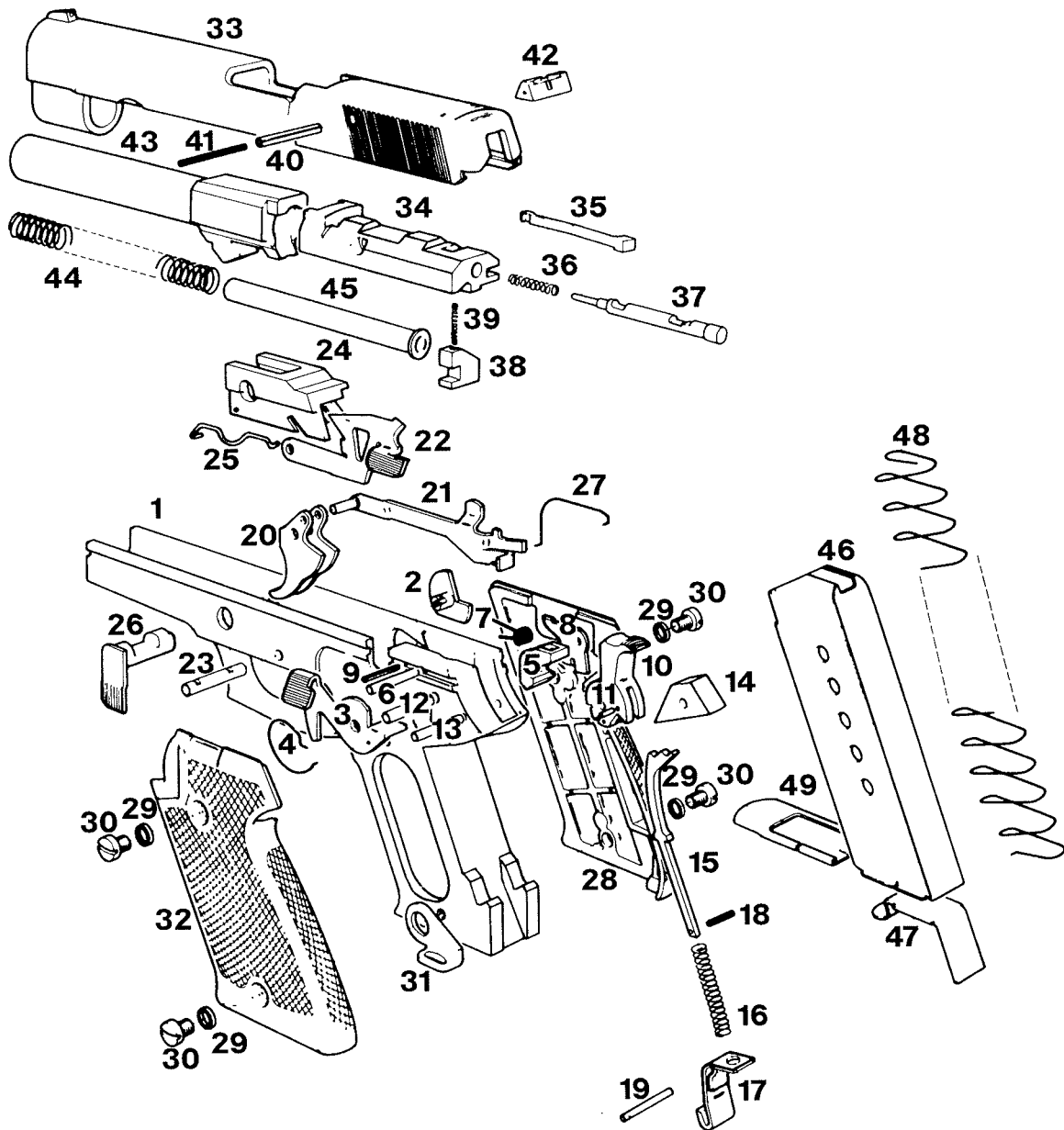
1	Barrel	11	Grip Plate Escutcheon, Unthreaded	20	Safety Spring
2	Connector	12	Grip Plate Screw	21	Sear
3	Extractor	13	Grip Safety	22	Sear Pin, Magazine Safety Pin and Grip Safety Pin
4	Extractor Pin	14	Magazine Complete	23	Sear Spring
5	Firing Pin	15	Magazine Latch	24	Slide
6	Firing Pin Spring	16	Magazine Safety	25	Slide Ring
7	Firing Pin Spring Guide	17	Magazine Safety and Extractor Spring	26	Trigger
8	Grip Plate, Left	18	Recoil Spring	27	Trigger Pin
9	Grip Plate, Right	19	Safety		
10	Grip Plate Escutcheon, Threaded				

380 Auto (1969-1974)



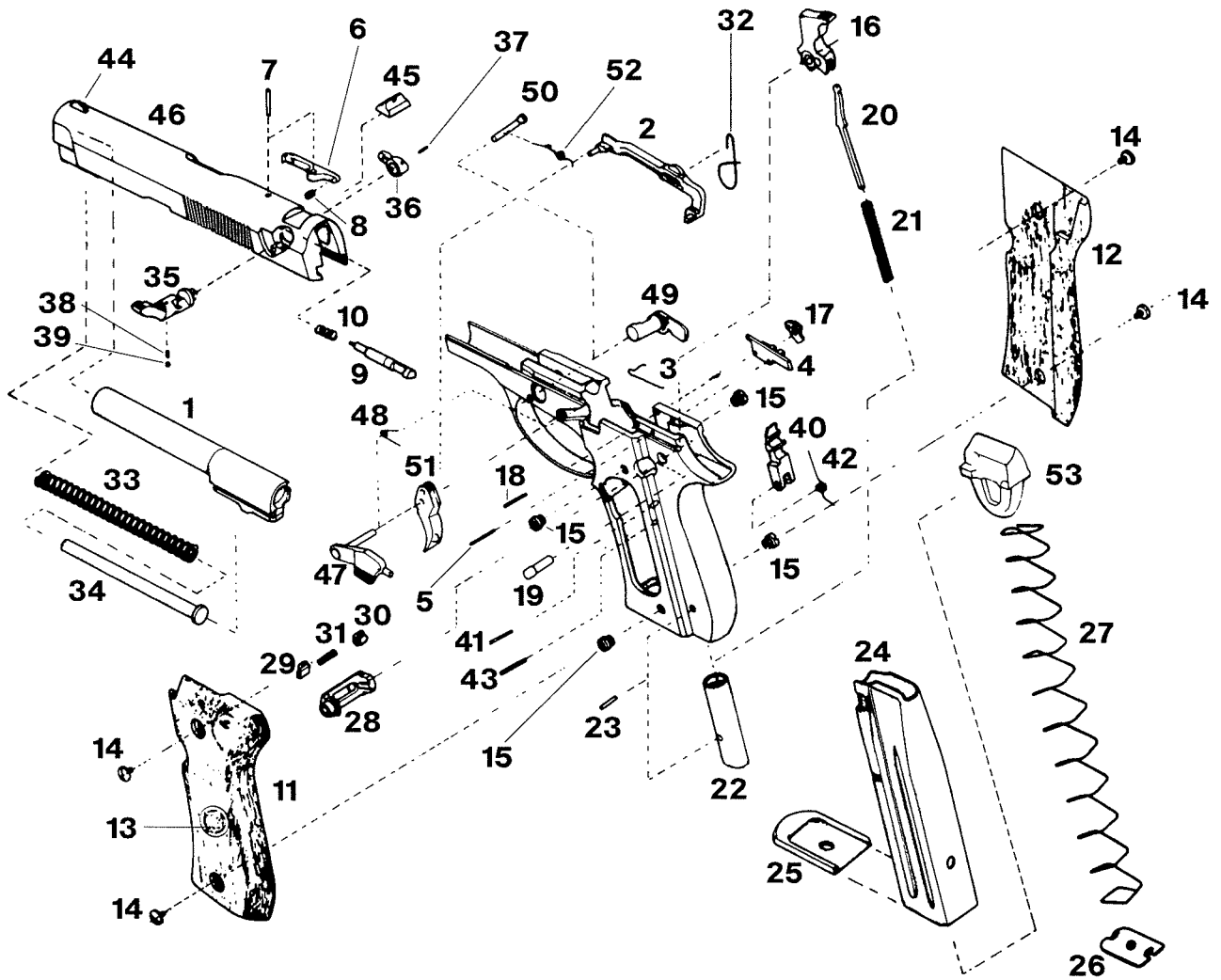
1	Slide	14	Magazine Safety	25	Sight Base, Rear
2	Barrel	15	Magazine Safety and Extractor Spring	26	Sight Aperture, Rear
3	Connector	16	Magazine Latch	27	Sight Aperture Housing, Rear
4	Extractor	17	Magazine Assembly	28	Sight Aperture Housing Pin, Rear
5	Extractor Pin	18	Safety	29	Sight Elevation Screw, Rear
6	Firing Pin	19	Safety Spring	30	Sight Elevation Screw Spring, Rear
7	Firing Pin Spring	20	Sear	31	Sight Elevation Spring, Rear
8	Grip Plate, Left	21	Sear Pin, Magazine Safety Pin and Grip Safety Pin	32	Sight Windage Screw, Rear
9	Grip Plate, Right	22	Sear Spring	33	Trigger
10	Grip Plate Screw	23	Slide Ring	34	Trigger Pin
11	Grip Escutcheon, Threaded	24	Sight with Ramp, Front	35	Cocking Indicator
12	Grip Escutcheon, Unthreaded			36	Cocking Indicator Spring
13	Grip Safety			37	Recoil Spring

BDA DA Auto (1969 - 1974)



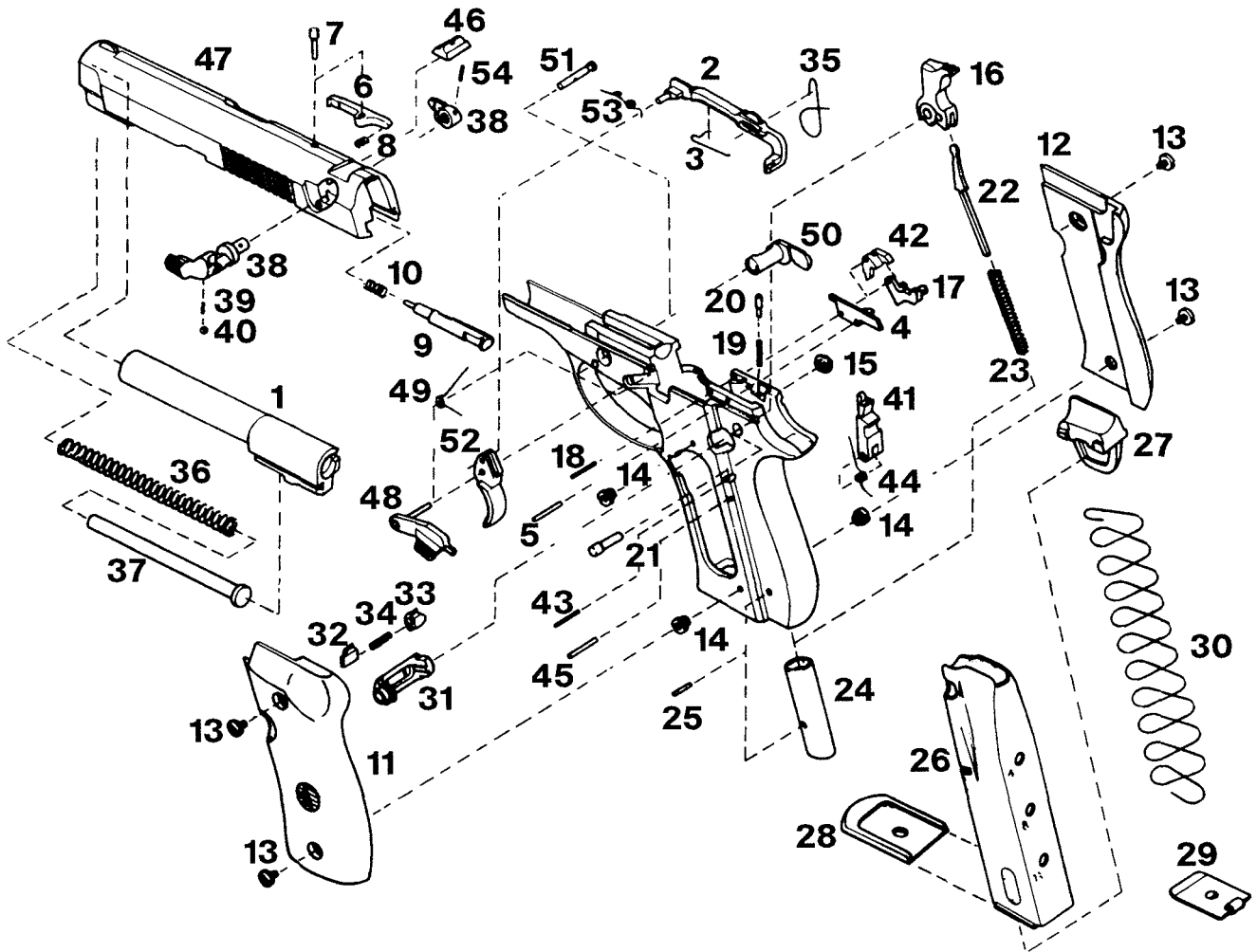
1	Frame	18	Hammer Spring Pin	35	Extractor
2	Decocking Lever Seat	19	Magazine Catch Pin	36	Firing Pin Spring
3	Decocking Lever	20	Trigger	37	Firing Pin
4	Decocking Lever Spring	21	Trigger Rod	38	Safety Slide
5	Sear	22	Slide Release	39	Safety Slide Spring
6	Sear Pin	23	Trigger Pin	40	Firing Pin Retaining Pin, Outer
7	Sear Torsion Spring	24	Locking Insert	41	Firing Pin Retaining Pin, Inner
8	Safety-Lever	25	Slide Release	42	Sight, Rear
9	Sear Spring Pin	26	Disassembly Lever	43	Barrel
10	Hammer	27	Trigger Spring	44	Recoil Spring
11	Hammer Pin	28	Grip Plate, Right	45	Recoil Spring Guide
12	Hammer Axle	29	Grip Plate Washer	46	Magazine
13	Hammer Stop Pin	30	Grip Plate Screw	47	Magazine Follower
14	Hammer Stop	31	Strap Ring	48	Magazine Spring
15	Mainspring Guide	32	Grip Plate, Left	49	Magazine Base Plate
16	Mainspring	33	Slide		
17	Magazine Catch	34	Rear Insert		

BDA 380 Auto



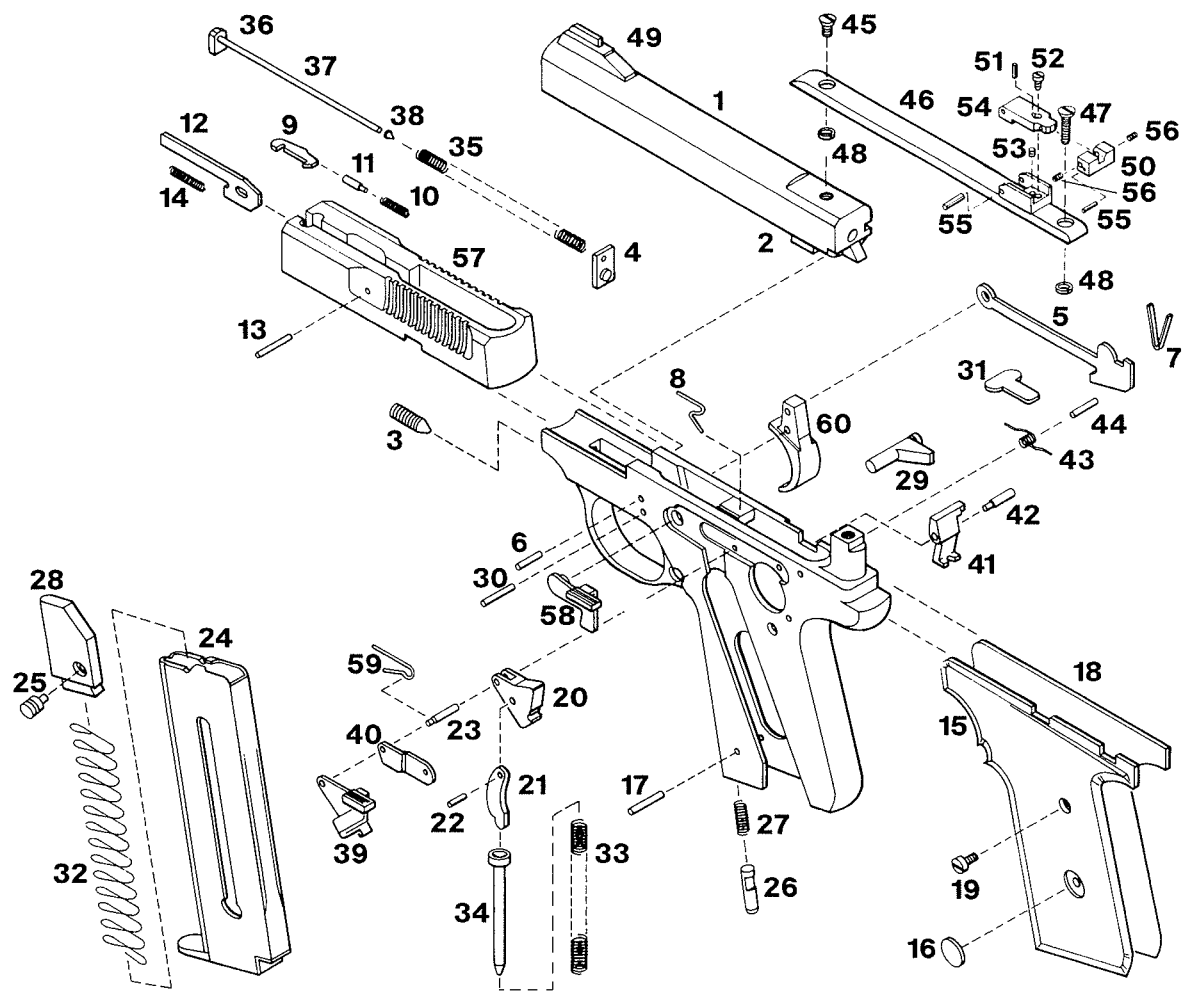
1	Barrel	19	Hammer Pin	37	Safety and Decocking Lever Pin
2	Disconnecter	20	Hammer Strut	38	Safety Spring
3	Disconnecter Spring	21	Mainspring	39	Safety Spring Ball
4	Ejector	22	Mainspring Guide	40	Sear
5	Ejector Pin	23	Mainspring Pin	41	Sear Pin
6	Extractor	24	Magazine Body	42	Sear Spring
7	Extractor Pin	25	Magazine Floorplate	43	Sear Spring Pin
8	Extractor Spring	26	Magazine Floorplate Retainer	44	Front Sight Blade
9	Firing Pin	27	Magazine Spring	45	Rear Sight
10	Firing Pin Spring	28	Magazine Latch	46	Slide
11	Grip Plate, Left	29	Magazine Latch Retainer, Left	47	Slide Stop
12	Grip Plate, Right	30	Magazine Latch Retainer, Right	48	Slide Stop Spring
13	Grip Plate Medallion	31	Magazine Latch Retainer Spring	49	Takedown Lever
14	Grip Plate Screws	32	Magazine Safety Spring	50	Takedown Lever Stop
15	Grip Plate Bushings	33	Recoil Spring	51	Trigger
16	Hammer	34	Recoil Spring Guide	52	Trigger Spring
17	Hammer Disconnecter	35	Safety and Decocking Lever, Left	53	Magazine Follower
18	Hammer Disconnecter Pin	36	Safety and Decocking Lever, Right		

BDA 380 (1978-Present)



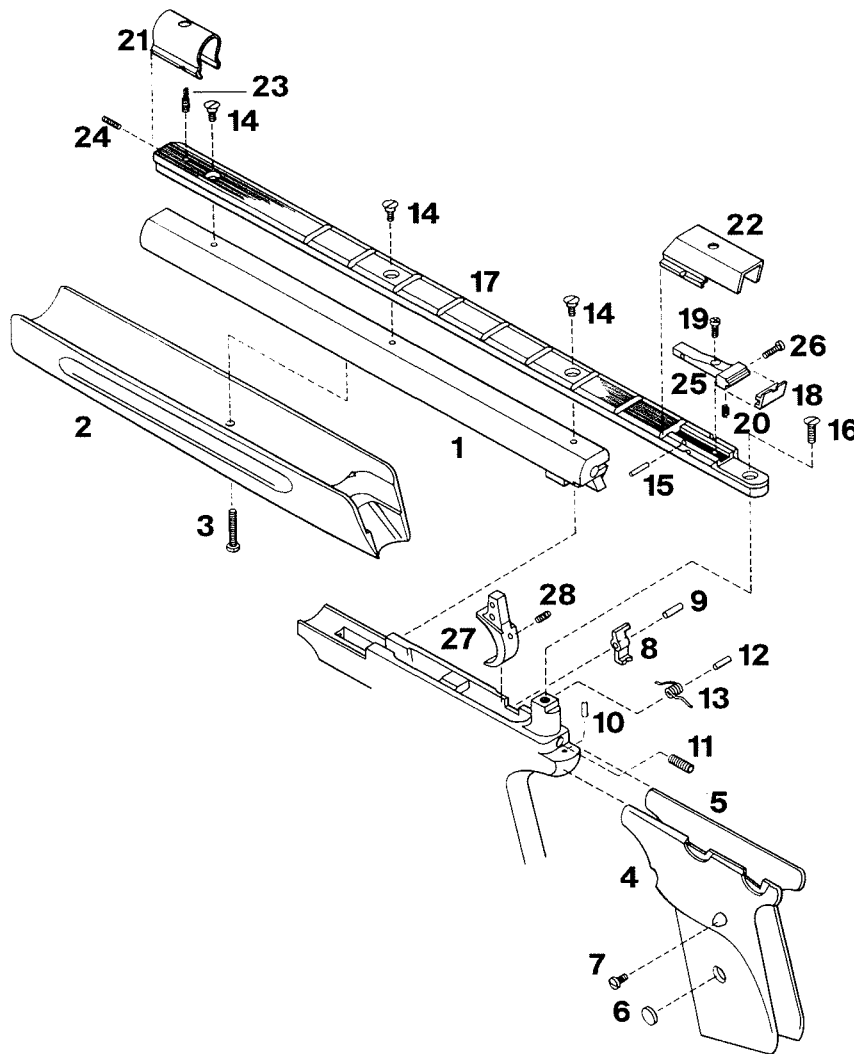
1	Barrel	20	Hammer Disconnecter	39	Safety Spring
2	Disconnecter		Spring Plunger	40	Safety Spring Ball
3	Disconnecter Spring	21	Hammer Pin	41	Sear
4	Ejector	22	Hammer Strut	42	Sear Disconnecter
5	Ejector Pin	23	Mainspring	43	Sear Pin
6	Extractor	24	Mainspring Guide	44	Sear Spring
7	Extractor Pin	25	Mainspring Pin	45	Sear Spring Pin
8	Extractor Spring	26	Magazine Body	46	Sight, Rear
9	Firing Pin	27	Magazine Follower	47	Slide
10	Firing Pin Spring	28	Magazine Floorplate	48	Slide Stop
11	Grip Plate, Left	29	Magazine Floorplate Retainer	49	Slide Stop Spring
12	Grip Plate, Right	30	Magazine Spring	50	Takedown Lever
13	Grip Plate Screw	31	Magazine Latch	51	Takedown Lever Stop
14	Grip Plate Bushing	32	Magazine Latch Retainer, Left	52	Trigger
15	Grip Plate Bushing and Spring Retainer	33	Magazine Latch Retainer, Right	53	Trigger Spring
16	Hammer	34	Magazine Latch Retainer Spring	54	Safety Assembly Pin
17	Hammer Disconnecter	35	Magazine Safety Spring		
18	Hammer Disconnecter Pin	36	Recoil Spring	Parts Not Shown	
19	Hammer Disconnecter Spring	37	Recoil Spring Guide		Grip Plate Medallion
		38	Safety Assembly		

Buckmark Auto



1	Barrel Assembly	26	Magazine Ejector	50	Rear Sight Blade
2	Barrel Block	27	Magazine Ejector Spring	51	Rear Sight Detent Pin
3	Barrel Mounting Screw	28	Magazine Follower	52	Rear Sight Elevation Screw
4	Buffer	29	Magazine Latch	53	Rear Sight Elevation Spring
5	Disconnecter	30	Magazine Latch Pin and Trigger Pin	54	Rear Sight Leaf
6	Disconnecter Pin	31	Magazine Latch Spring	55	Rear Sight Leaf/Friction Pin
7	Disconnecter Spring	32	Magazine Spring	56	Rear Sight Windage Screw
8	Ejector	33	Mainspring	57	Slide
9	Extractor	34	Mainspring Plunger	58	Stop Open Latch Assembly with Thumb-Piece
10	Extractor Spring	35	Recoil Spring	59	Stop Open Latch Spring
11	Extractor Spring Plunger	36	Recoil Spring Guide	60	Trigger
12	Firing Pin	37	Recoil Spring Guide Rod	Parts Not Shown	
13	Firing Pin Retainer	38	Recoil Spring Guide Rod		Recoil Spring Guide Assembly
14	Firing Pin Spring		Retaining Ring		Sight Blade
15	Grip, Left	39	Safety Assembly with Thumb-Piece		Sight Blade Screw
16	Grip Medallion	40	Safety Click Plate		Sight Elevation Screw
17	Grip Pin	41	Sear		Sight Rear Assembly Complete
18	Grip, Right	42	Sear Pin		Sight Front Pin
19	Grip Screw	43	Sear Spring		Sight Front Screw
20	Hammer	44	Sear Spring Pin		Sight Leaf
21	Hammer Link	45	Sight Base Screw, Front		Sight Rivet
22	Hammer Link Pin	46	Sight Base, Rear		
23	Hammer Pin	47	Sight Base Screw, Rear		
24	Magazine Body	48	Sight Base Screw-Lock Washer		
25	Magazine Button	49	Sight, Front		

Buckmark Silhouette Auto



- 1 Barrel
- 2 Forearm
- 3 Forearm Screw
- 4 Grip, Left
- 5 Grip, Right
- 6 Grip Medallion
- 7 Grip Screw
- 8 Sear
- 9 Sear Pin
- 10 Sear Screw Stop Pin
- 11 Sear Spring Adjusting Screw
- 12 Sear Spring Pin
- 13 Sear Spring
- 14 Sight Base Screw Front
- 15 Sight Base Retaining Pin
- 16 Sight Base Screw Rear
- 17 Sight Base
- 18 Sight Blade
- 19 Sight Elevation Screw
- 20 Sight Elevation Spring
- 21 Sight Hood, Front
- 22 Sight Hood, Rear
- 23 Sight Post Front

- 24 Sight Post Lock Screw
- 25 Sight Windage Screw Retainer
- 26 Sight Windage Screw
- 27 Trigger Adjustable
- 28 Trigger Limit Screw

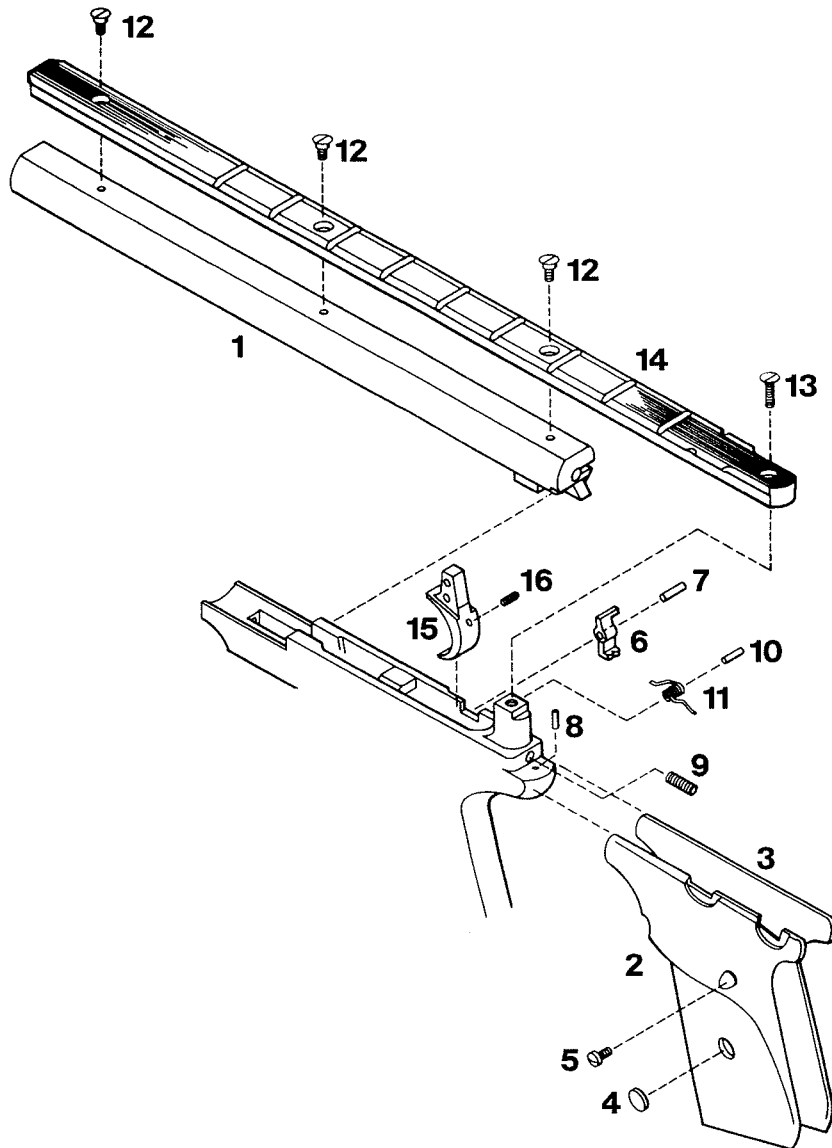
Parts Not Shown

(See Challenger I and II)

- Barrel Block
- Barrel Mounting Screw
- Disconnecter Assembly
- Ejector
- Extractor
- Extractor Spring
- Extractor Spring Plunger
- Firing Pin
- Firing Pin Retaining Pin
- Hammer
- Hammer Link
- Hammer Link Pin
- Hammer Pin

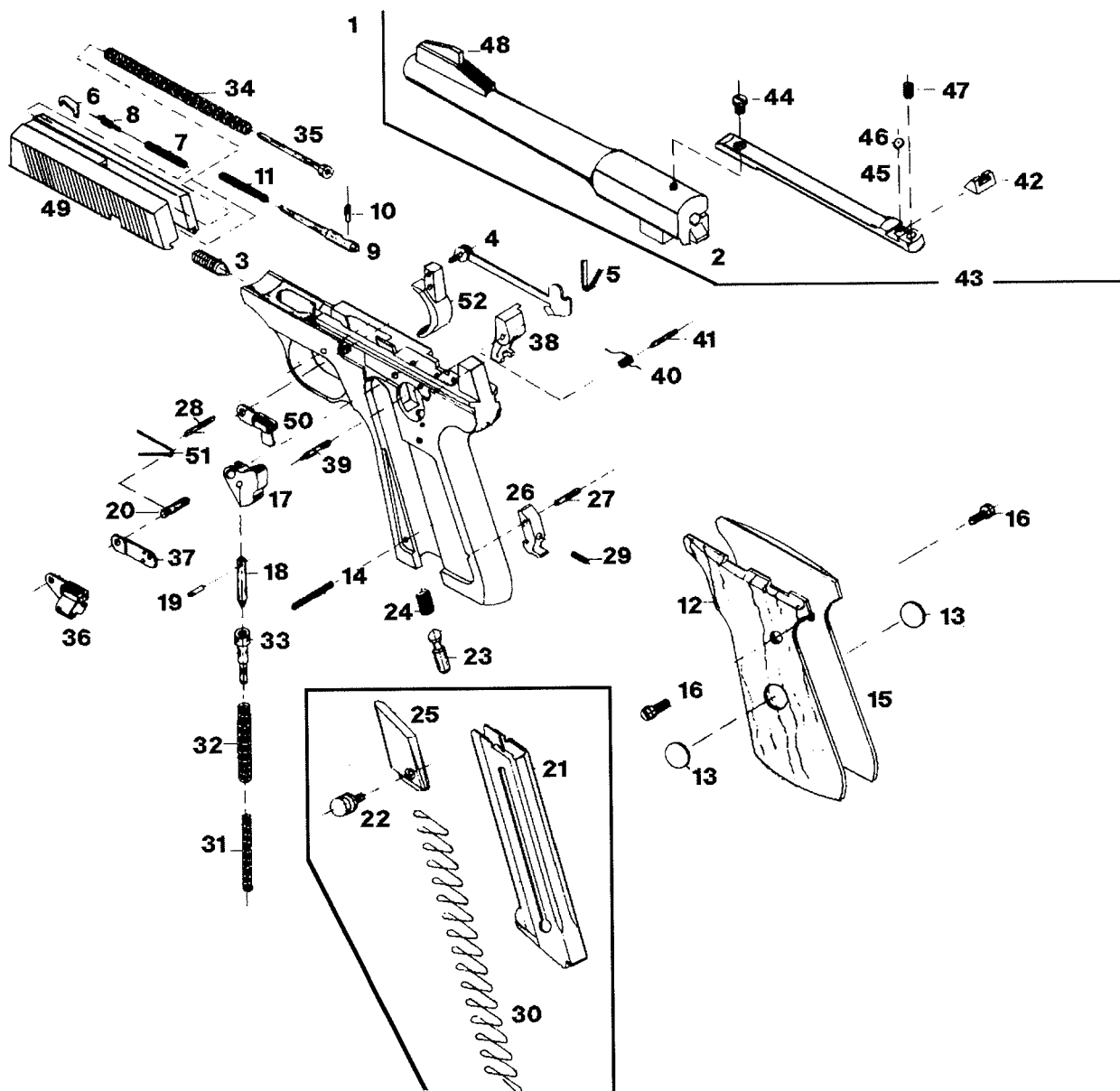
- Magazine Body
- Magazine Button
- Magazine Ejector
- Magazine Ejector Spring
- Magazine Follower
- Magazine Latch
- Magazine Latch Pin and Trigger Pin
- Magazine Latch Spring
- Mainspring
- Mainspring Plunger
- Recoil Spring
- Recoil Spring Guide
- Recoil Spring Guide Rod
- Safety Assembly with Thumb-Piece
- Safety Click Plate
- Stop Open Latch
- Stop Open Latch Spring

Buckmark Varmint Auto



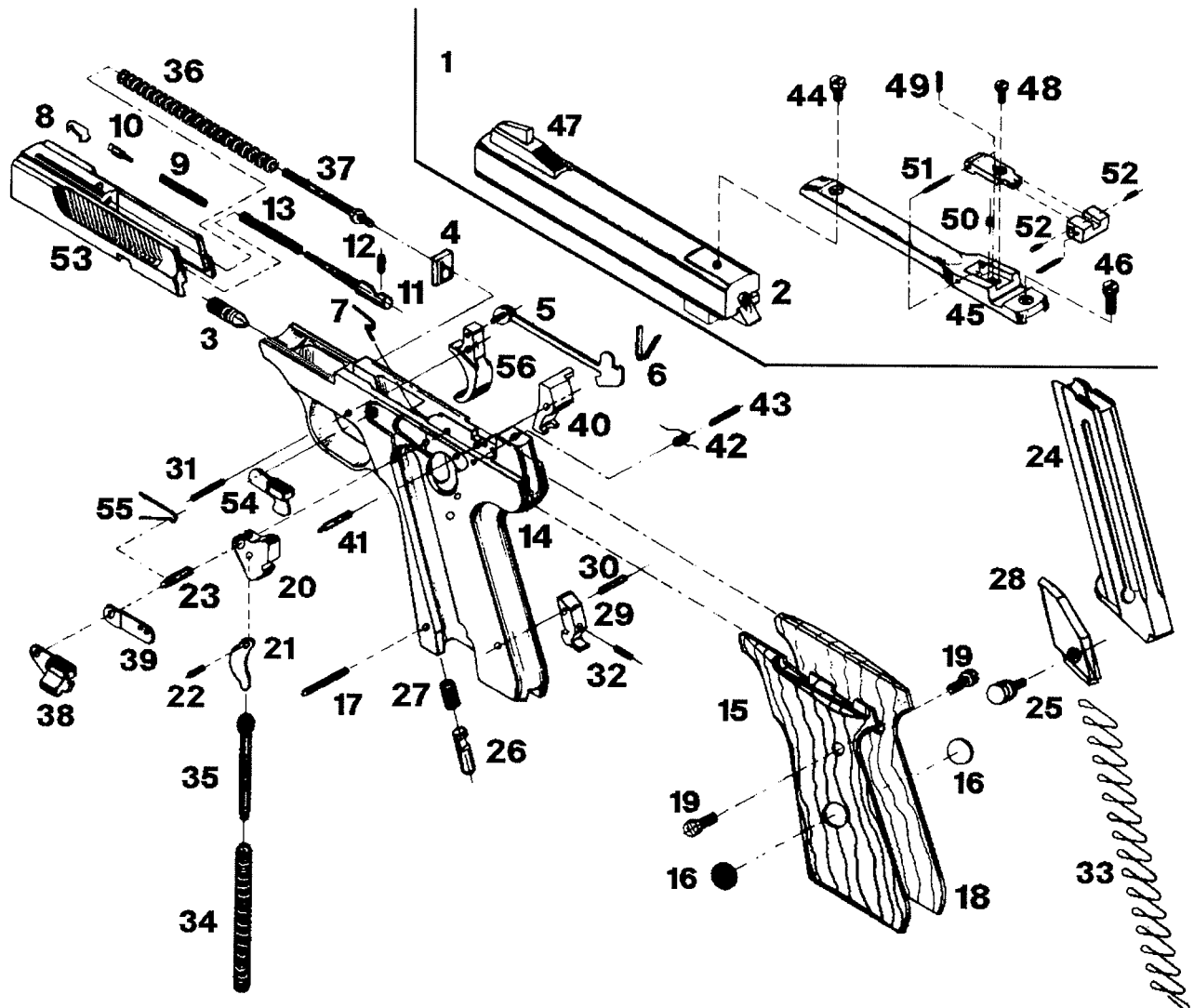
1	Barrel Assembly	Disconnecter Assembly	Magazine Ejector
2	Grip, Left	Disconnecter Spring	Magazine Ejector Spring
3	Grip, Right	Ejector	Magazine Follower
4	Grip Medallion	Extractor	Magazine Latch
5	Grip Screw	Extractor Spring	Magazine Latch Spring
6	Sear	Extractor Spring Plunger	Magazine Spring
7	Sear Pin	Firing Pin	Mainspring
8	Sear Screw Stop Pin	Firing Pin Retaining Pin	Mainspring Plunger
9	Sear Spring Adjusting Screw	Forearm	Recoil Spring
10	Sear Spring Pin	Forearm Screw	Recoil Spring Guide
11	Sear Spring	Hammer	Recoil Spring Guide Rod
12	Sight Base Screw, Front	Hammer Link	Safety Assembly with Thumb-Piece
13	Sight Base Screw, Rear	Hammer Link Pin	Safety Click Plate
14	Sight Base	Hammer Pin	Stop Open Latch
15	Trigger, Adjustable	Magazine Body	Stop Open Latch Spring
16	Trigger Limit Screw	Magazine Button	
Parts Not Shown			
(See Challenger II and III)			
	Barrel Block		
	Barrel Mounting Screw		

Challenger II Auto



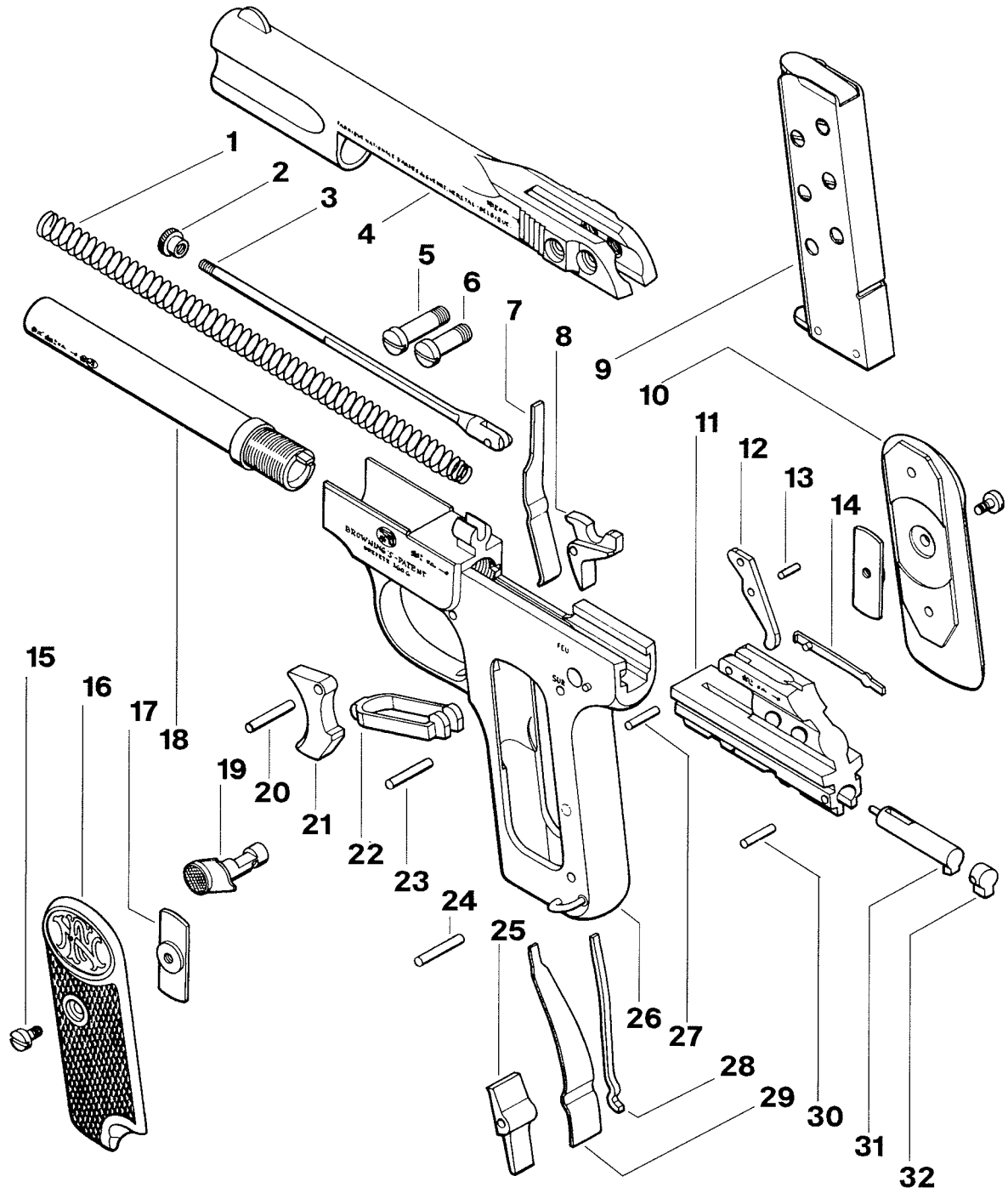
1	Barrel Assembly	19	Hammer Link Pin	37	Safety Click Plate
2	Barrel Block	20	Hammer Pin	38	Sear
3	Barrel Mounting Screw	21	Magazine Body	39	Sear Pin
4	Disconnecter Assembly	22	Magazine Button	40	Sear Spring
5	Disconnecter Spring	23	Magazine Ejector	41	Sear Spring Pin
6	Extractor	24	Magazine Ejector Spring	42	Sight Aperture, Rear
7	Extractor Spring	25	Magazine Follower	43	Sight Assembly, Rear
8	Extractor Spring Plunger	26	Magazine Latch	44	Sight Base Mounting Screw
9	Firing Pin	27	Magazine Latch Pin	45	Sight Base Rear
10	Firing Pin Retaining Pin	28	Trigger Pin	46	Sight Base Rear Spring
11	Firing Pin Spring	29	Magazine Latch Spring	47	Sight Elevation Screw, Rear
12	Grip, Left	30	Magazine Spring	48	Sight, Front
13	Grip Medallion	31	Mainspring, Inner	49	Slide
14	Grip Pin	32	Mainspring, Outer	50	Stop Open Latch Assembly with Thumb-Piece
15	Grip, Right	33	Mainspring Plunger	51	Stop Open Latch Spring
16	Grip Screw	34	Recoil Spring	52	Trigger
17	Hammer	35	Recoil Spring Guide		
18	Hammer Link	36	Safety Assembly with Thumb-Piece		

Challenger III Auto



1	Barrel Assembly	20	Hammer	39	Safety Click Plate
2	Barrel Block	21	Hammer Link	40	Sear
3	Barrel Mounting Screw	22	Hammer Link Pin	41	Sear Pin
4	Buffer	23	Hammer Pin	42	Sear Spring
5	Disconnecter Assembly	24	Magazine Body	43	Sear Spring Pin
6	Disconnecter Spring	25	Magazine Button	44	Sight Base Rear, Front Screw
7	Ejector	26	Magazine Ejector	45	Sight Base Rear
8	Extractor	27	Magazine Ejector Spring	46	Sight Base Rear, Rear Screw
9	Extractor Spring	28	Magazine Follower	47	Sight, Front
10	Extractor Spring Plunger	29	Magazine Latch	48	Rear Sight Elevation Screw
11	Firing Pin	30	Magazine Latch Pin	49	Rear Sight Elevation Spring
12	Firing Pin Retaining Pin	31	Trigger Pin	50	Rear Sight Leaf/Friction Pin
13	Firing Pin Spring	32	Magazine Latch Spring	51	Rear Sight Pin
14	Frame	33	Magazine Spring	52	Rear Sight Windage Screw
15	Grip, Left	34	Mainspring	53	Slide
16	Grip Medallion	35	Mainspring Plunger	54	Stop Open Latch Assembly with Thumb-Piece
17	Grip Pin	36	Recoil Spring	55	Stop Open Latch Spring
18	Grip, Right	37	Recoil Spring Guide	56	Trigger
19	Grip Screw	38	Safety Assembly with Thumb-Piece		

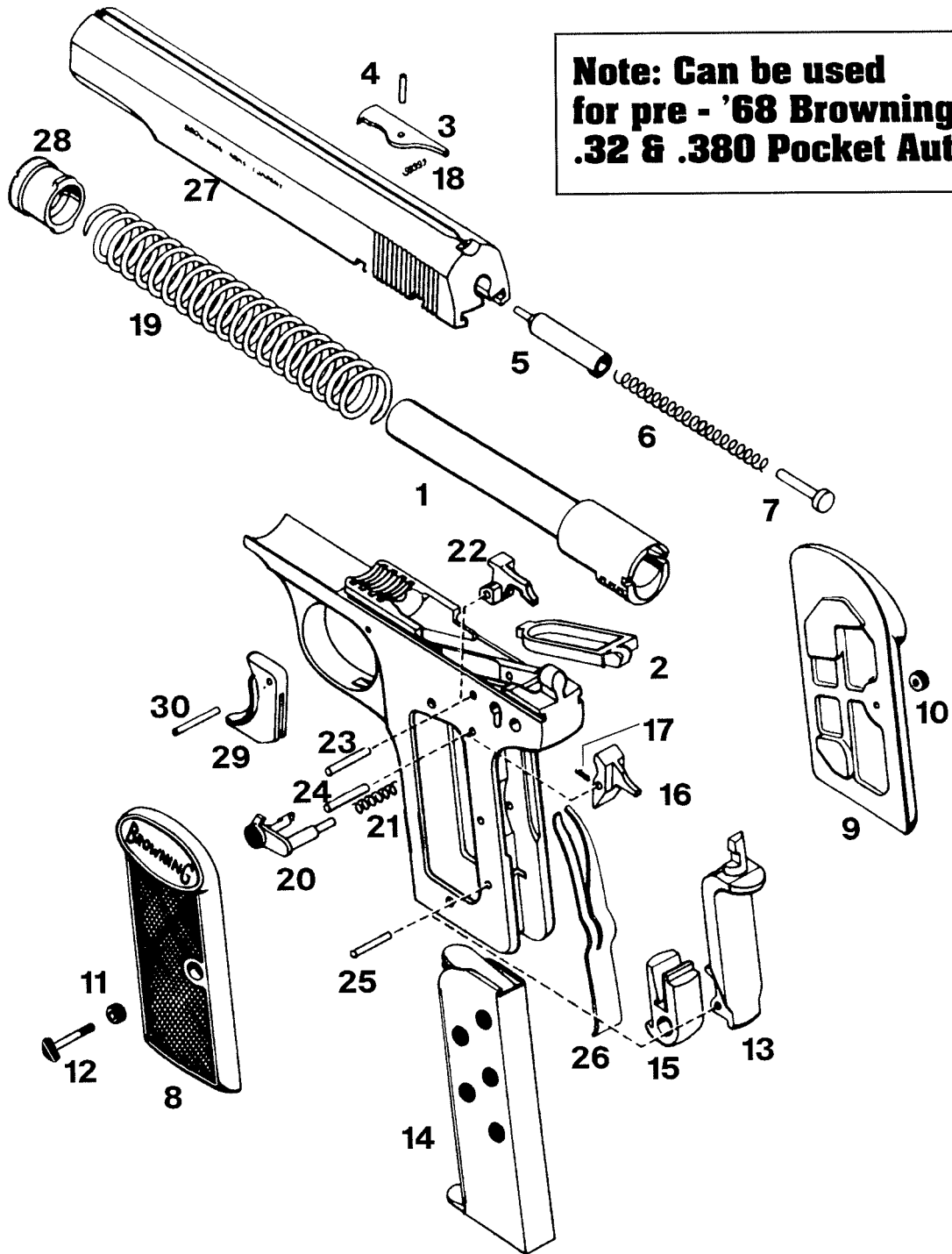
Model 1900 Auto



1	Recoil Spring	12	Cocking Lever	23	Sear Pin
2	Recoil Spring Guide Nut	13	Recoil Spring Guide Pin	24	Magazine Catch Pin
3	Recoil Spring Guide	14	Extractor	25	Magazine Catch
4	Slide	15	Grip Screw	26	Frame
5	Breechblock Screw (Long)	16	Left Grip	27	Cocking Lever Pin
6	Breechblock Screw (Short)	17	Grip Retainer	28	Safety Spring
7	Sear Spring	18	Barrel	29	Trigger Bar Spring
8	Sear	19	Safety	30	Breechblock Plug Pin
9	Magazine	20	Trigger Pin	31	Firing Pin
10	Right Grip	21	Trigger	32	Breechblock Plug
11	Breechblock	22	Trigger Bar		

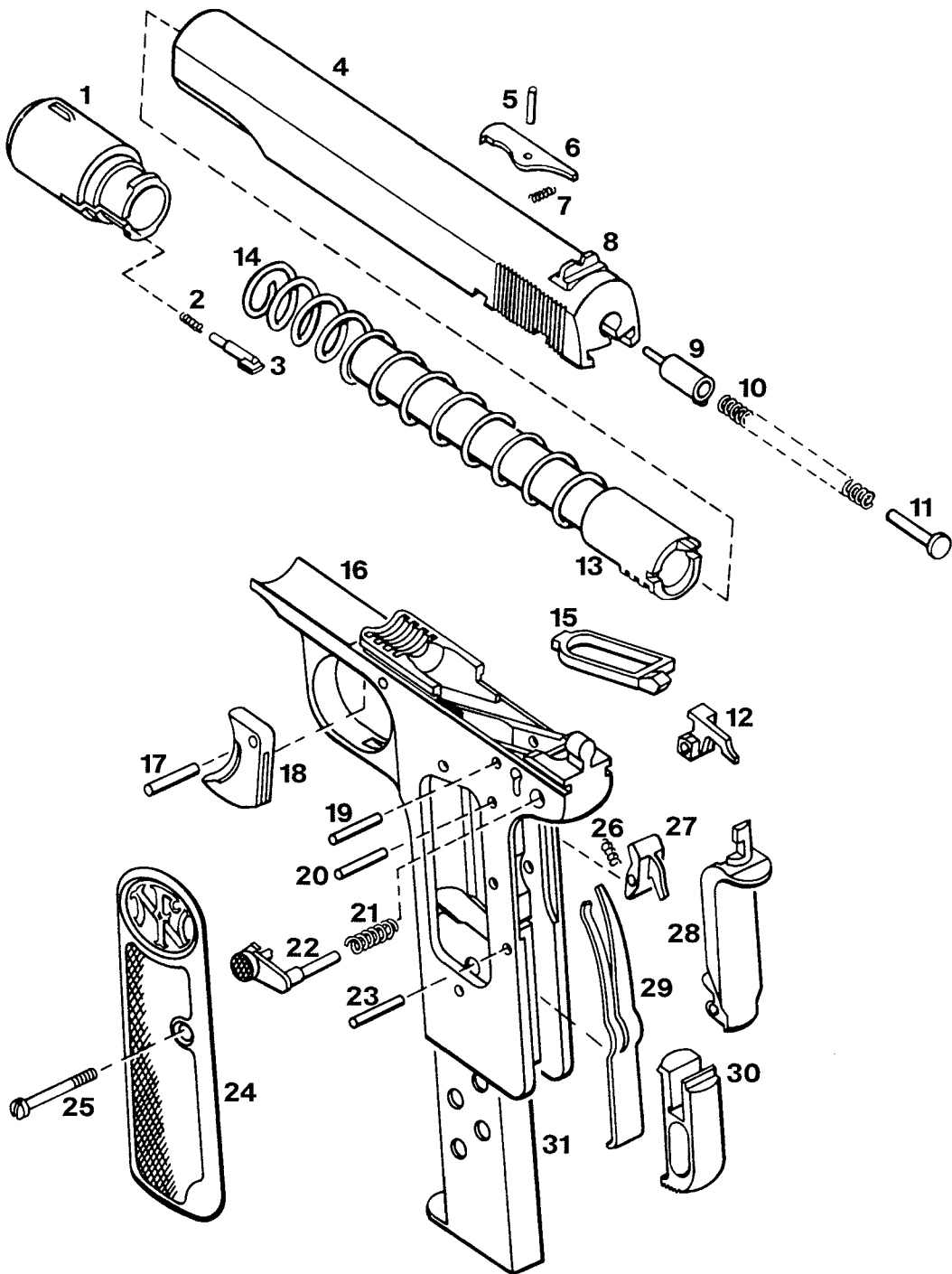
Model 1910 Auto

Note: Can be used for pre - '68 Browning .32 & .380 Pocket Auto.



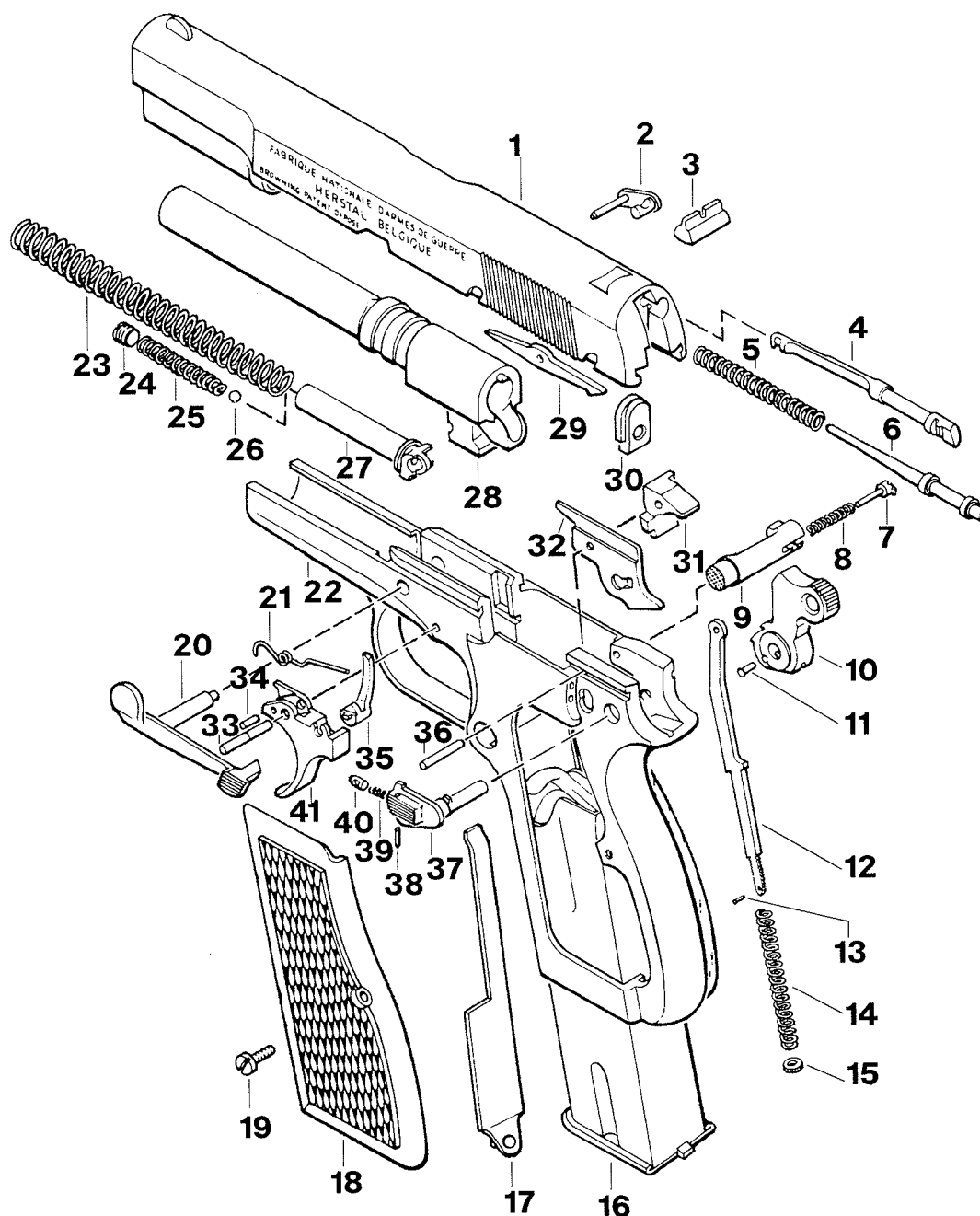
1	Barrel	11	Grip Escutcheon, Unthreaded	21	Safety Spring
2	Connector	12	Grip Plate Screw	22	Sear
3	Extractor	13	Grip Safety	23	Sear Pin
4	Extractor Pin	14	Magazine, Complete	24	Magazine Safety Pin
5	Firing Pin	15	Magazine Latch	25	Grip Safety Pin
6	Firing Pin Spring	16	Magazine Safety	26	Sear Spring
7	Firing Pin Spring Guide	17	Magazine Safety Spring	27	Slide
8	Grip Plate, Left	18	Extractor Spring	28	Slide Ring
9	Grip Plate, Right	19	Recoil Spring	29	Trigger
10	Grip Escutcheon, Threaded	20	Safety	30	Trigger Pin

Model 1922 Auto



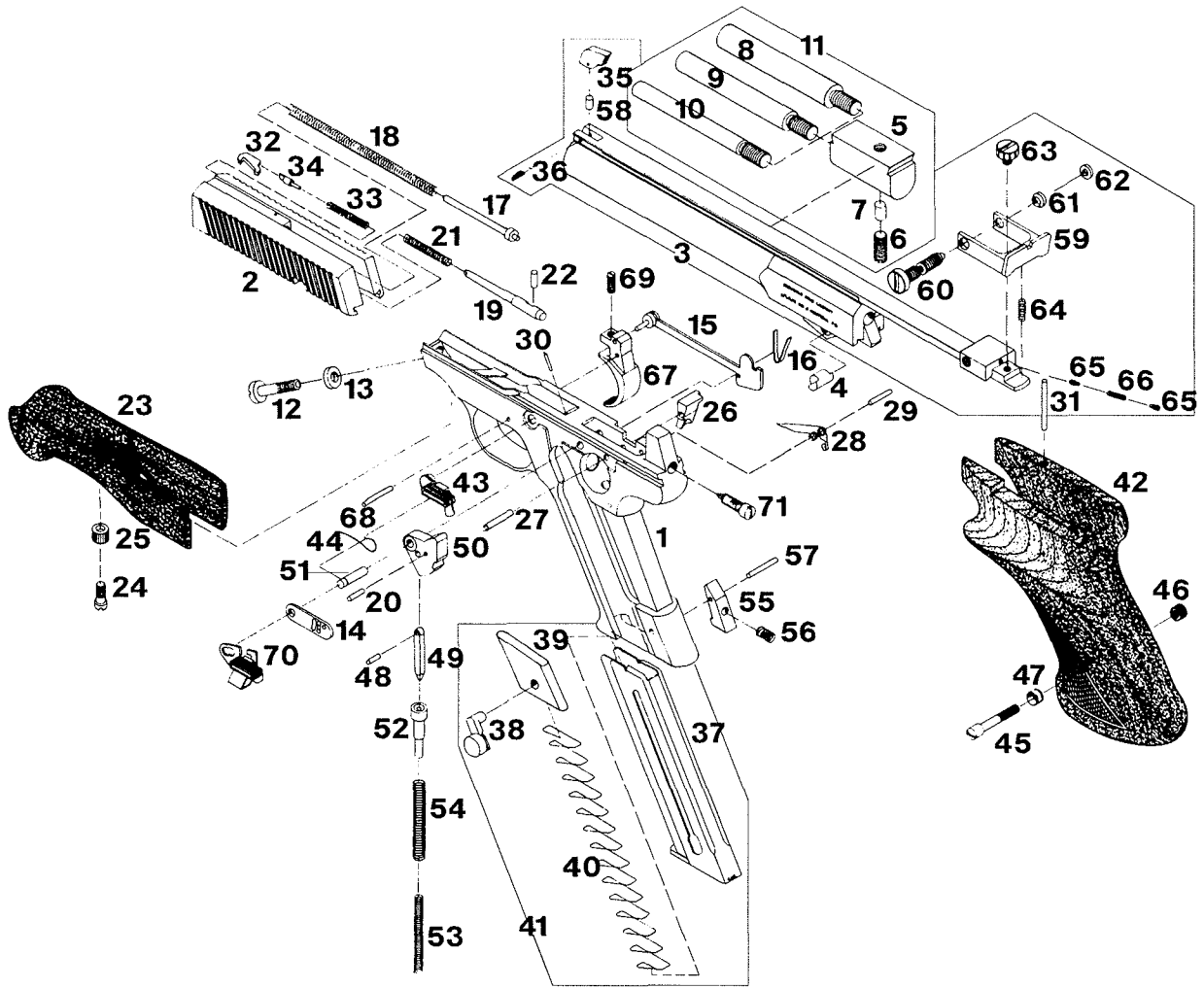
1	Slide Extension	12	Sear	23	Grip Safety Hinge Pin
2	Slide Extension Spring	13	Barrel	24	Left Grip Panel
3	Slide Extension Catch	14	Recoil Spring	25	Grip Screw
4	Slide	15	Trigger Bar	26	Magazine Safety Spring
5	Extractor Pin	16	Frame	27	Magazine Safety
6	Extractor	17	Trigger Pin	28	Grip Safety
7	Extractor Spring	18	Trigger	29	Mainspring
8	Rear Sight	19	Sear Pin	30	Magazine Catch
9	Firing Pin	20	Magazine Safety Pin	31	Magazine
10	Firing Pin Spring	21	Safety Catch Spring		
11	Spring Follower	22	Safety Catch		

Model 1935 Hi-Power Auto



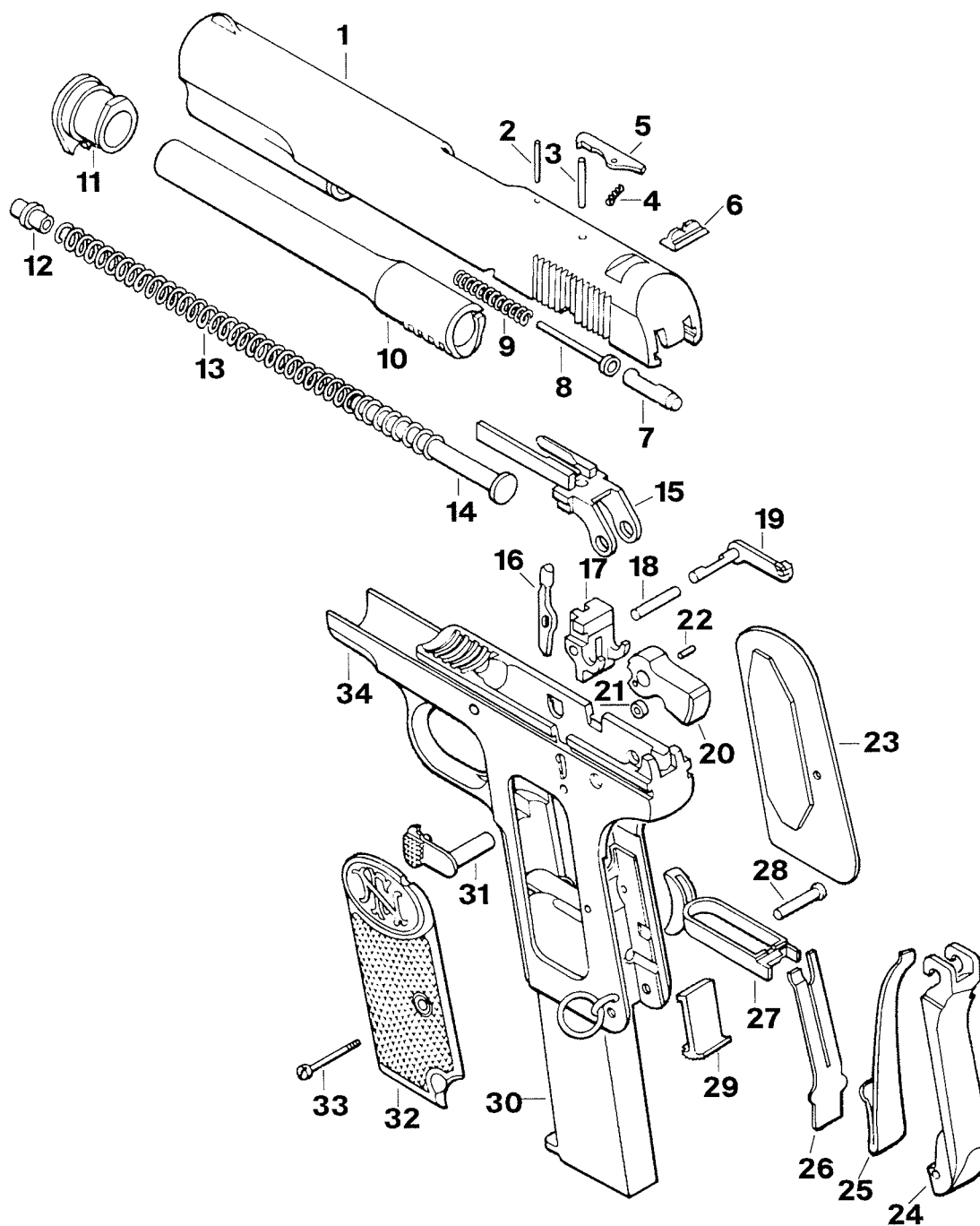
1	Slide	15	Hammer Spring Support	29	Sear Lever
2	Sear Lever Retainer	16	Magazine	30	Firing Pin Retainer Plate
3	Rear Sight	17	Sear Spring	31	Sear
4	Extractor	18	Left-Hand Grip	32	Ejector
5	Firing Pin Spring	19	Grip Screw	33	Trigger Pin
6	Firing Pin	20	Slide Stop	34	Trigger Spring Pin
7	Magazine Catch Spring Guide	21	Trigger Spring	35	Trigger Lever
8	Magazine Catch Spring	22	Frame (Receiver)	36	Sear Pin
9	Magazine Catch	23	Recoil Spring	37	Safety Catch
10	Hammer	24	Spring Retainer	38	Stud Retainer Pin
11	Hammer Pin	25	Detent Ball Spring	39	Stud Spring
12	Hammer Strut	26	Detent Ball	40	Stud
13	Hammer Strut Pin	27	Recoil Spring Guide	41	Trigger
14	Hammer Spring	28	Barrel		

Nomad, Challenger and Medalist Auto



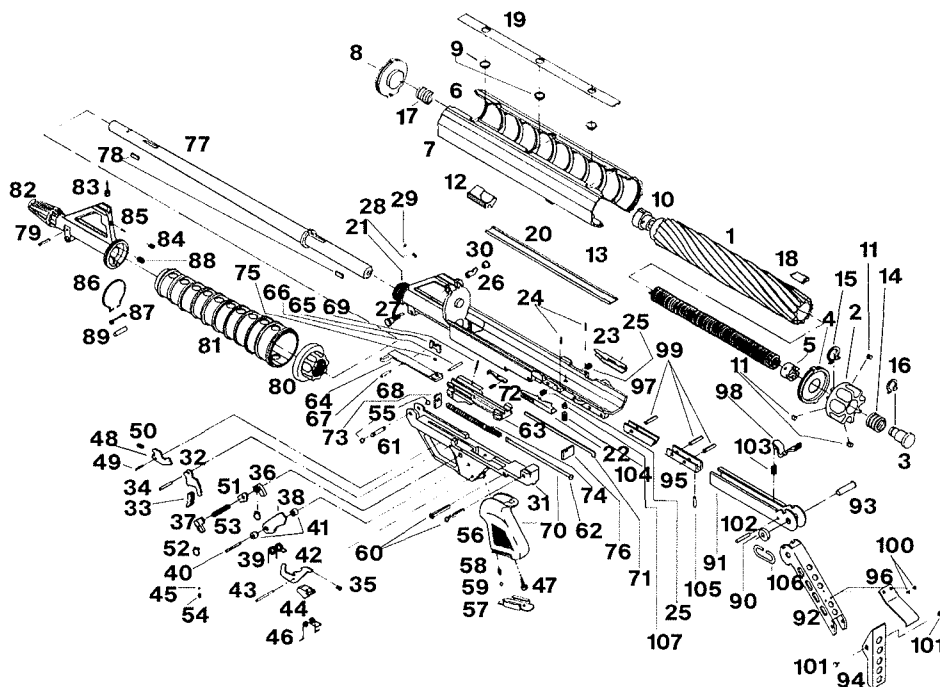
1	Frame	26	Sear	51	Hammer Pin
2	Slide	27	Sear Pin	52	Mainspring Plunger
3	Barrel with Ventilated Rib	28	Sear Spring	53	Mainspring, Inner
4	Barrel Guide Pin	29	Sear Spring Pin	54	Mainspring, Outer
5	Counterweight Support	30	Ejector	55	Magazine Latch
6	Counterweight Support Screw	31	Ejector Deflection Pin	56	Magazine Latch Spring
7	Counterweight Support Bushing	32	Extractor	57	Magazine Latch Pin
8	Counterweight 2.52 oz.	33	Extractor Spring	58	Ventilated Rib Retaining Pin
9	Counterweight 1.79 oz.	34	Extractor Plunger	59	Sight Aperture, Rear
10	Counterweight .94 oz.	35	Sight Blade, Front	60	Sight Windage Screw, Rear
11	Counterweight Support and Weights	36	Sight Blade Retaining Pin, Front	61	Sight Windage Bushing, Rear
12	Barrel Mounting Screw	37	Magazine	62	Sight Windage Washer, Rear
13	Barrel Mounting Screw Washer	38	Magazine Button	63	Sight Elevation Screw, Rear
14	Click Plate	39	Magazine Follower	64	Sight Elevation Spring
15	Disconnecter	40	Magazine Spring	65	Sight Adjusting Screw Follower, Windage or Elevation
16	Disconnecter Spring	41	Magazine Complete	66	Sight Adjusting Screw Follower Spring, Windage and Elevation
17	Recoil Spring Guide	42	Grip, Right-Hand	67	Trigger
18	Recoil Spring	43	Stop Open Latch	68	Trigger Pin
19	Firing Pin	44	Stop Open Latch Spring	69	Trigger Backlash Adjustment Screw
20	Fire Pin For Dry Firing	45	Grip Screw	70	Safety
21	Firing Pin Spring	46	Grip Escutcheon, Threaded	71	Trigger Pull Adjustment Screw
22	Firing Pin Retaining Pin	47	Grip Escutcheon, Unthreaded		
23	Forend	48	Hammer Link Pin		
24	Forend Screw	49	Hammer Link		
25	Forend Screw Escutcheon	50	Hammer		

Swedish Model 1907



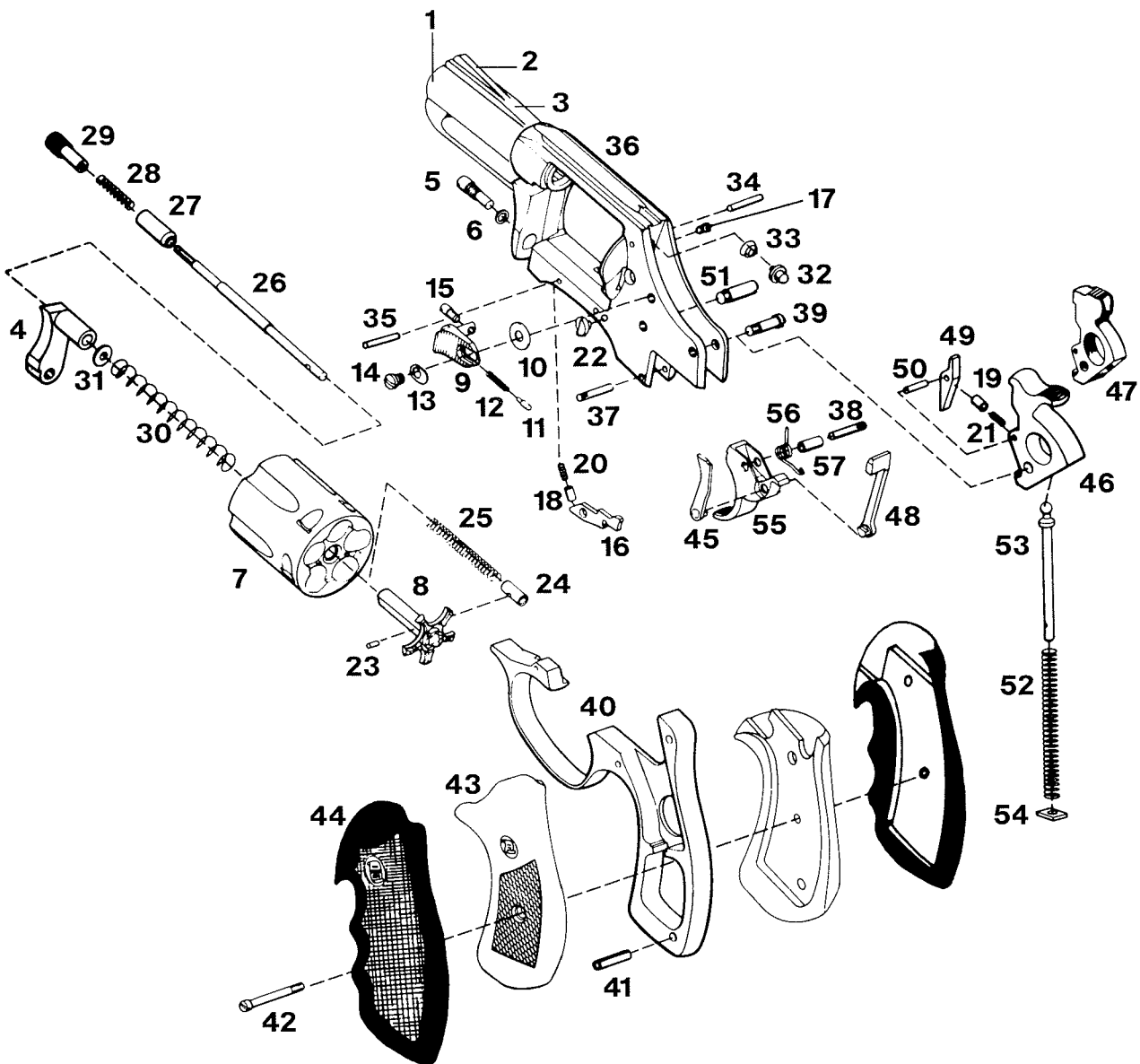
1	Slide	13	Recoil Spring	25	Hammer Spring
2	Extractor Pin	14	Recoil Spring Guide	26	Sear Spring
3	Firing Pin Retainer Pin	15	Ejector and Cartridge Guide	27	Trigger
4	Extractor Spring	16	Disconnecter	28	Grip Safety Pin
5	Extractor	17	Sear	29	Magazine Catch
6	Rear Sight	18	Sear Pin	30	Magazine
7	Firing Pin Extension	19	Slide Stop	31	Safety
8	Firing Pin	20	Hammer	32	Left Grip
9	Firing Pin Spring	21	Hammer Roll	33	Grip Screw
10	Barrel	22	Roll Axis Pin	34	Receiver
11	Barrel Bushing	23	Right Grip		
12	Bushing Stop	24	Grip Safety		

Model 100 Auto



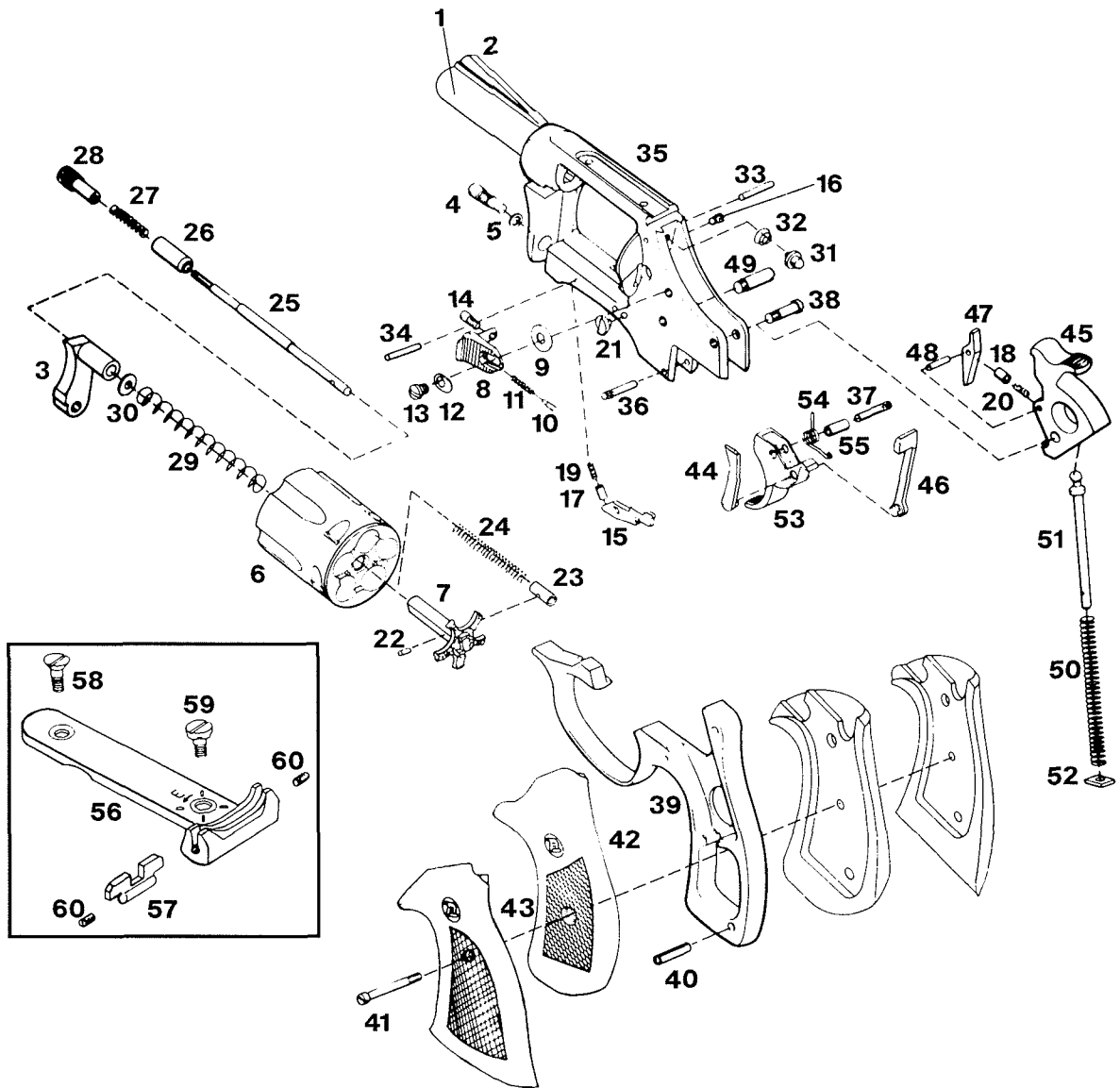
1	Fluted Cartridge Carrier	37	Safety-Lever, Left	73	Return Spring Retainer
2	Rear End Cap	38	Hammer	74	Return Spring Bolt
3	Spring Release Button	39	Hammer Spring	75	Firing Pin Spring
4	Clutch Plate	40	Hammer Pin	76	Buffer
5	Drive Spring Retainer	41	Hammer Bushing	77	Barrel
6	Magazine Outer Shell, Right	42	Sear	78	Barrel Key
7	Magazine Outer Shell, Left	43	Sear Pivot Pin	79	Barrel Cross Pin
8	Front End Cap	44	Disconnecter	80	Barrel Nut
9	Magazine Lens	45	Safety Ball	81	Barrel Shroud
10	Splined Driver	46	Disconnecter Spring	82	Front Sight
11	Clutch Roller Bearing	47	Pistol Grip Mounting Screw	83	Front Sight Post
12	Feed Lips	48	Bolt Catch	84	Front Sight Post Spring
13	Drive Spring	49	Bolt Catch Pin	85	Front Sight Post Pin
14	Clutch Spring	50	Bolt Catch Spring	86	Sling Ring
15	Snap Ring, Large	51	Safety	87	Sling Ring Clasp
16	Snap Ring, Small	52	Safety C-Ring	88	Barrel Shroud Spring
17	Magazine Compression Spring	53	Safety Shaft	89	Sling Sleeve
18	Magazine Follower	54	Safety Spring	90	Pivot Pin Washer
19	Ribbon Clamp, Upper	55	C-Rings	91	Sliding Arm
20	Ribbon Clamp, Lower	56	Pistol Grip	92	Pivoting Arm
21	Upper Receiver	57	Pistol Grip Cover	93	Pivot Pin
22	Magazine Catch, Left	58	Pistol Grip Cover Spring	94	Buttplate
23	Magazine Catch, Right	59	Pistol Grip Cover Ball	95	Sliding Arm Lock
24	Magazine Catch Pins	60	Takedown Pins	96	Leaf Spring
25	Magazine Catch Spring	61	Hinge Pin	97	Sliding Arm Track
26	Rear Sight Blade	62	Return Spring Washer	98	Buttstock Release Lever
27	Rear Sight Screw	63	Bolt	99	Sliding Arm Lock and Track Pins
28	Rear Sight Spring	64	Bolt Handle	100	Leaf Spring Rivets
29	Rear Sight Ball	65	Firing Pin	101	Knurled Hinge Pins
30	Rear Sight Bushing	66	Bolt Handle Pin	102	Release Lever Roll Pin
31	Lower Receiver	67	Firing Pin Stop Pin	103	Release Lever Spring
32	Trigger	68	Extractor	104	Sliding Arm Lock Spring
33	Trigger Pad	69	Extractor Pin	105	Stop Dowell
34	Trigger Pin	70	Return Spring Rod	106	Stock Ring
35	Trigger Spring	71	Ejector	107	Magazine Ejector Button
36	Safety-Lever, Right	72	Extractor Spring		

Bulldog 44 Special Revolver



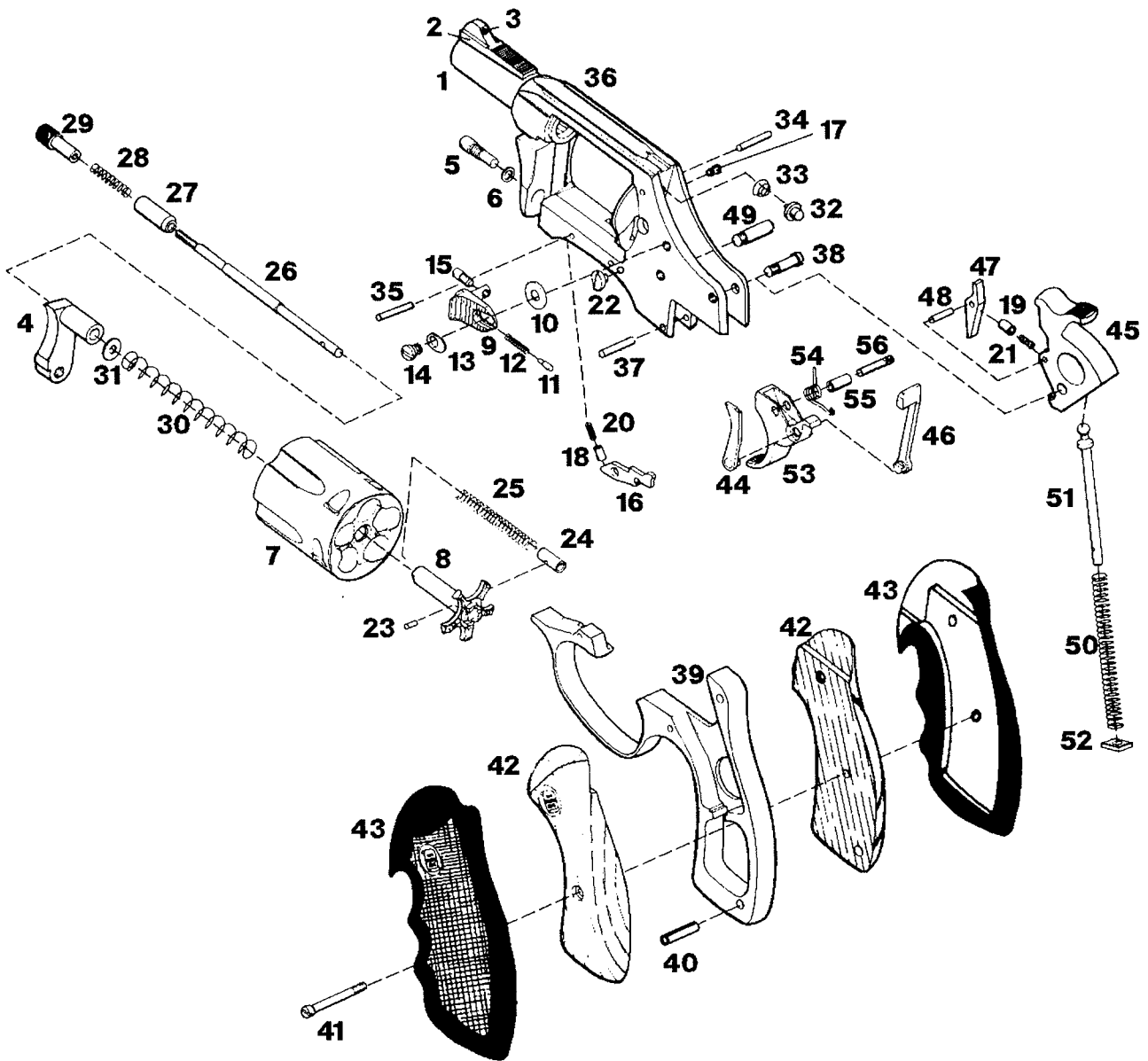
1	Barrel	20	Cylinder Plunger Spring	39	Frame Assembly Screw
2	Front Sight	21	Hammer Plunger Spring	40	Grip Frame and Trigger Guard
3	Shroud	22	Cylinder Stud	41	Grip Locating Pin
4	Crane	23	Ejector Rod Assembly Pin	42	Grip Screw
5	Crane Screw	24	Ejector Rod Bushing	43	Grips, Bulldog Style
6	Crane Screw Washer	25	Ejector Rod Lock Spring	44	Grips, Neoprene
7	Cylinder	26	Ejector Rod	45	Hand
8	Ejector	27	Ejector Rod Collar	46	Hammer
9	Cylinder Latch	28	Ejector Rod Collar Spring	47	Hammer Spurless
10	Cylinder Latch Washer	29	Ejector Rod Head	48	Hammer Block
11	Cylinder Latch Plunger	30	Ejector Rod Return Spring	49	Hammer Pawl
12	Cylinder Latch Plunger Spring	31	Ejector Rod Washer	50	Hammer Pawl Pin
13	Cylinder Latch Cover Plate	32	Firing Pin	51	Hammer Screw
14	Cylinder Latch Retaining Screw	33	Firing Pin Spring	52	Mainspring
15	Cylinder Latch Release Screw	34	Firing Pin Retaining Pin	53	Mainspring Guide Rod
16	Cylinder Stop	35	Cylinder Retaining Pin	54	Mainspring Seat
17	Cylinder Stop Bushing	36	Frame Assembly	55	Trigger
18	Cylinder Plunger	37	Frame Assembly Pin	56	Trigger Spring
19	Hammer Plunger	38	Trigger Pin	57	Trigger Spring Bushing

Bulldog Tracker Revolver



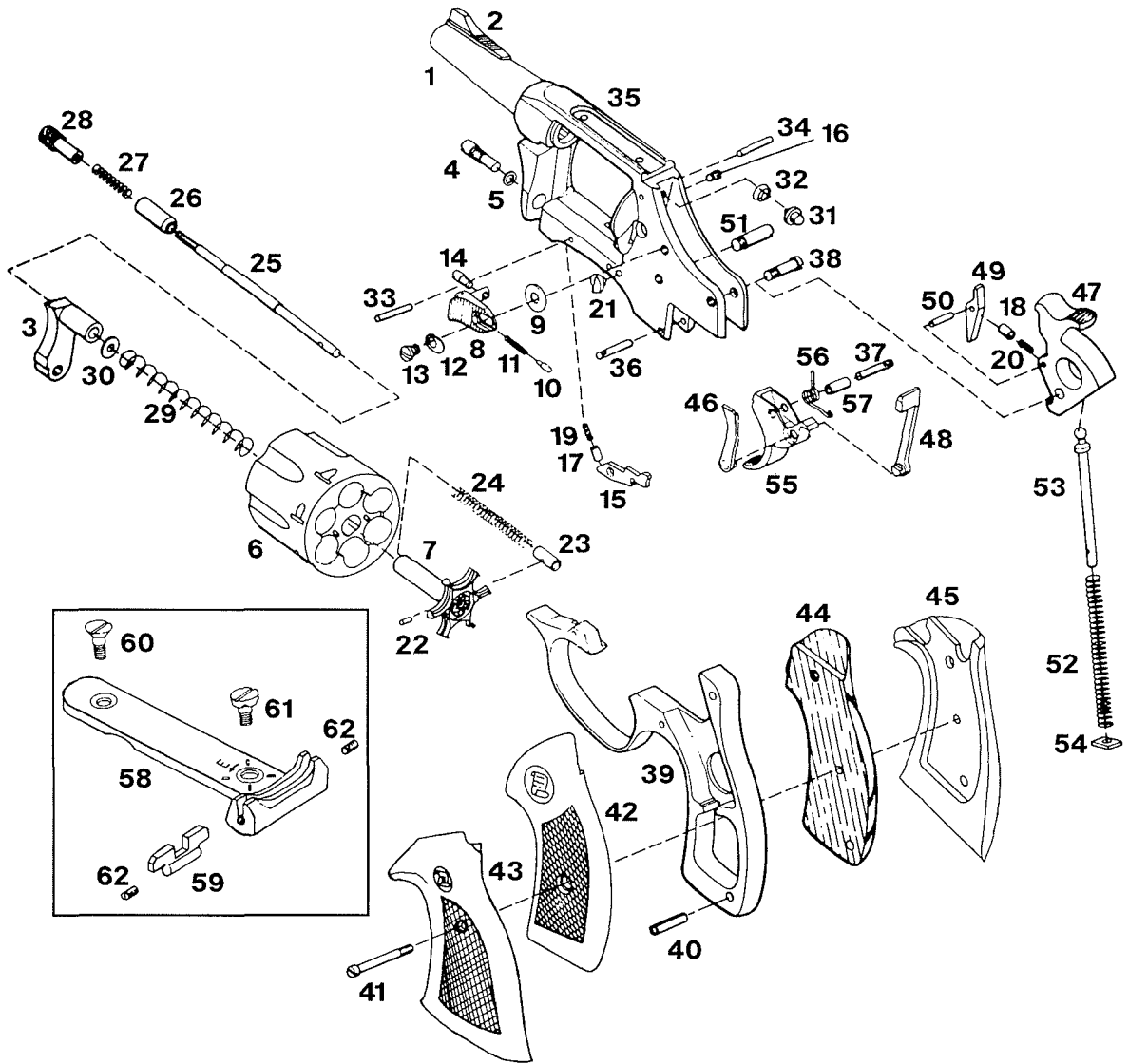
1	Barrel	21	Cylinder Stud	41	Grip Screw
2	Front Sight	22	Ejector Rod Assembly Pin	42	Grips, Bulldog Style
3	Crane	23	Ejector Rod Bushing	43	Grips, Square Butt
4	Crane Screw	24	Ejector Rod Lock Spring	44	Hand
5	Crane Screw Washer	25	Ejector Rod	45	Hammer
6	Cylinder	26	Ejector Rod Collar	46	Hammer Block
7	Ejector	27	Ejector Rod Collar Spring	47	Hammer Pawl
8	Cylinder Latch	28	Ejector Rod Head	48	Hammer Pawl Pin
9	Cylinder Latch Washer	29	Ejector Rod Return Spring	49	Hammer Screw
10	Cylinder Latch Plunger	30	Ejector Rod Washer	50	Mainspring
11	Cylinder Latch Plunger Spring	31	Firing Pin	51	Mainspring Guide Rod
12	Cylinder Latch Cover Plate	32	Firing Pin Spring	52	Mainspring Seat
13	Cylinder Latch Retaining Screw	33	Firing Pin Retaining Pin	53	Trigger
14	Cylinder Latch Release Screw	34	Cylinder Retaining Pin	54	Trigger Spring
15	Cylinder Stop	35	Frame Assembly	55	Trigger Spring Bushing
16	Cylinder Stop Bushing	36	Frame Assembly Pin	56	Rear Sight Body
17	Cylinder Plunger	37	Trigger Pin	57	Rear Sight Blade
18	Hammer Plunger	38	Frame Assembly Screw	58	Rear Sight Retaining Screw
19	Cylinder Plunger Spring	39	Grip Frame and Trigger Guard	59	Rear Sight Elevation Screw
20	Hammer Plunger Spring	40	Grip Locating Pin	60	Rear Sight Windage Screws

Off-Duty Revolver



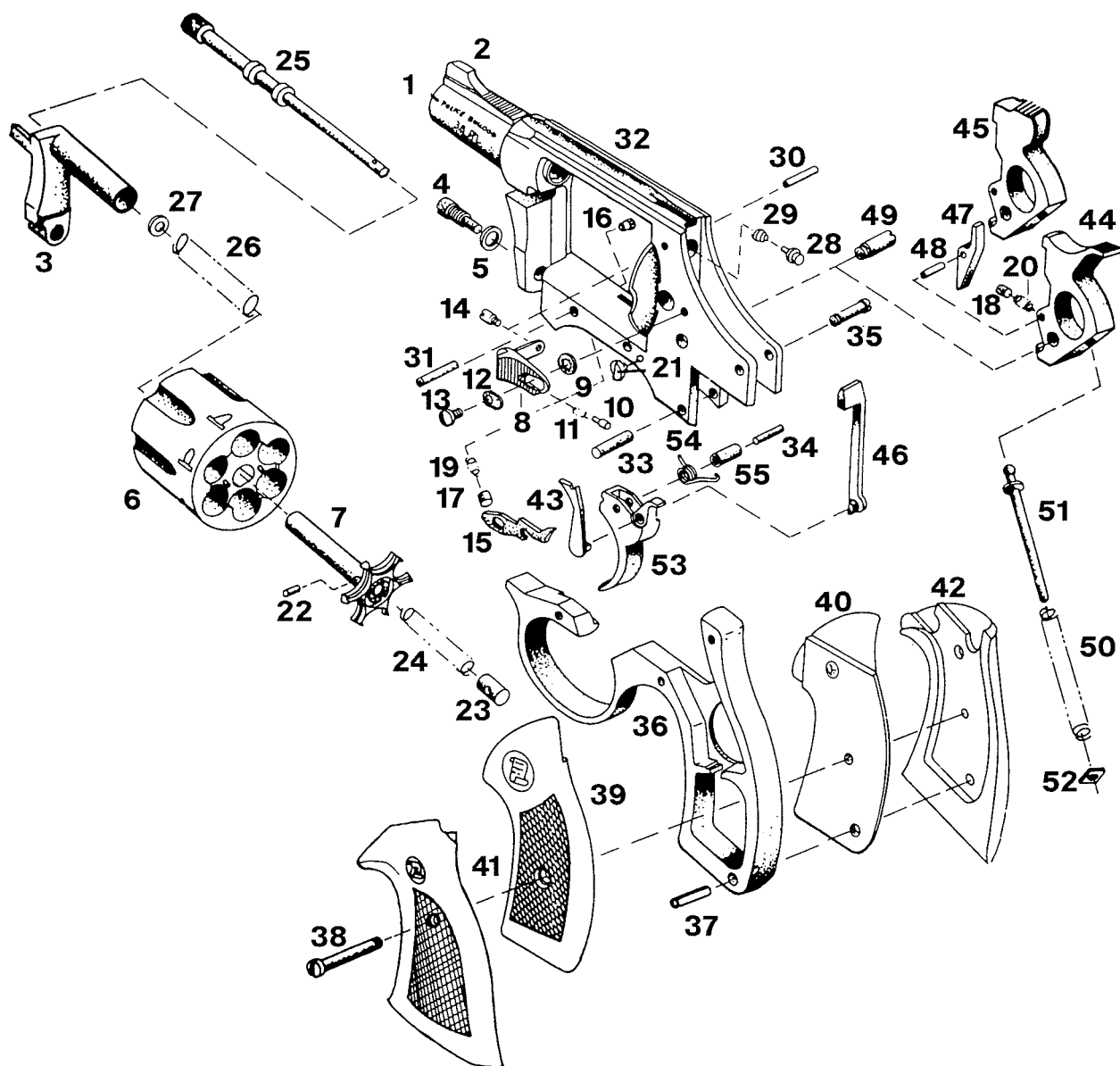
1	Barrel Assembly	20	Cylinder Plunger Spring	39	Grip Frame and Trigger Guard
2	Front Sight	21	Hammer Plunger Spring	40	Grip Locating Pin
3	Sight Insert	22	Cylinder Stop Stud	41	Grip Screw
4	Crane	23	Ejector Rod Assembly Pin	42	Grips, Plain Panel
5	Crane Screw	24	Ejector Rod Bushing	43	Grips, Neoprene
6	Crane Screw Washer	25	Ejector Rod Lock Spring	44	Hand
7	Cylinder	26	Ejector Rod	45	Hammer
8	Ejector	27	Ejector Rod Collar	46	Hammer Block
9	Cylinder Latch	28	Ejector Rod Collar Spring	47	Hammer Pawl
10	Cylinder Latch Washer	29	Ejector Rod Head	48	Hammer Pawl Pin
11	Cylinder Latch Plunger	30	Ejector Rod Return Spring	49	Hammer Screw
12	Cylinder Latch Plunger Spring	31	Ejector Rod Washer	50	Mainspring
13	Cylinder Latch Cover Plate	32	Firing Pin	51	Mainspring Guide Rod
14	Cylinder Latch Retaining Screw	33	Firing Pin Spring	52	Mainspring Seat
15	Cylinder Latch Release Screw	34	Firing Pin Retaining Pin	53	Trigger
16	Cylinder Stop	35	Cylinder Retaining Pin	54	Trigger Spring
17	Cylinder Stop Bushing	36	Frame Assembly	55	Trigger Spring Bushing
18	Cylinder Plunger	37	Frame Assembly Pin	56	Trigger Pin
19	Hammer Plunger	38	Frame Assembly Screw		

Pathfinder Revolver



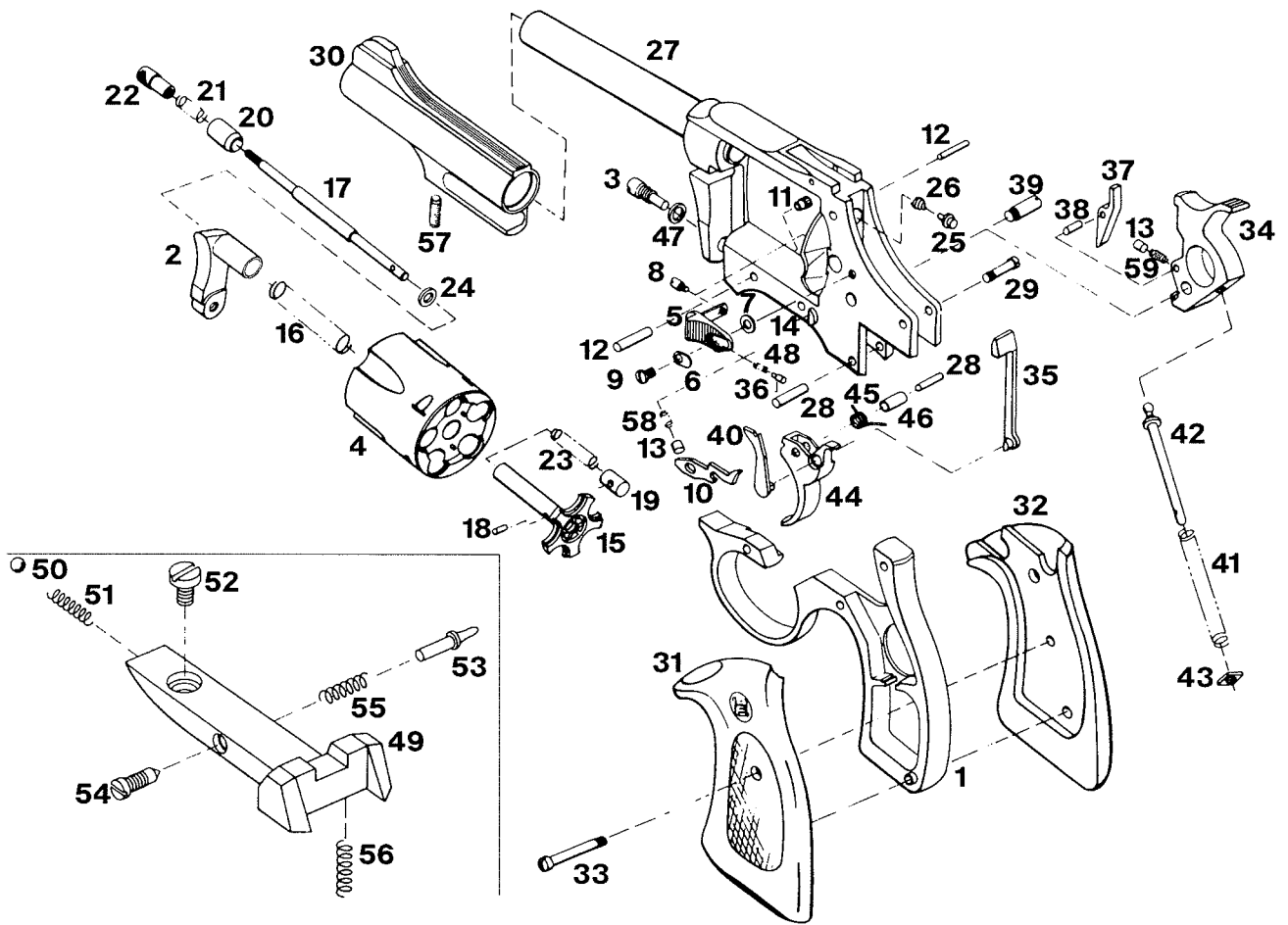
1	Barrel	22	Ejector Rod Assembly Pin	43	Left Grip, Square Butt
2	Front Sight	23	Ejector Rod Bushing	44	Right Grip, Round Butt
3	Crane	24	Ejector Rod Lock Spring	45	Right Grip, Square Butt
4	Crane Screw	25	Ejector Rod	46	Hand
5	Crane Screw Washer	26	Ejector Rod Collar	47	Hammer
6	Cylinder	27	Ejector Rod Collar Spring	48	Hammer Block
7	Ejector	28	Ejector Rod Head	49	Hammer Pawl
8	Cylinder Latch	29	Ejector Rod Return Spring	50	Hammer Pawl Pin
9	Cylinder Latch Washer	30	Ejector Rod Washer	51	Hammer Screw
10	Cylinder Latch Plunger	31	Firing Pin	52	Hammer Spring
11	Cylinder Latch Plunger Spring	32	Firing Pin Spring	53	Hammer Spring Strutt
12	Cylinder Latch Cover Plate	33	Cylinder Retaining Pin	54	Hammer Spring Seat
13	Cylinder Latch Retaining Screw	34	Firing Pin Retaining Pin	55	Trigger
14	Cylinder Latch Release Screw	35	Frame	56	Trigger Spring
15	Cylinder Stop	36	Frame Assembly Pin	57	Trigger Spring Bushing
16	Cylinder Stop Bushing	37	Trigger Pin	58	Rear Sight Base
17	Cylinder Plunger	38	Frame Assembly Screw	59	Rear Sight Blade
18	Hammer Plunger	39	Grip Frame/Trigger Guard	60	Rear Sight Retaining Screw
19	Cylinder Plunger Spring	40	Grip Locating Pin	61	Rear Sight Elevation Screw
20	Hammer Plunger Spring	41	Grip Screw	62	Rear Sight Windage Screws
21	Cylinder Stud	42	Left Grip, Round Butt		

Police Bulldog and Police Undercover Revolver



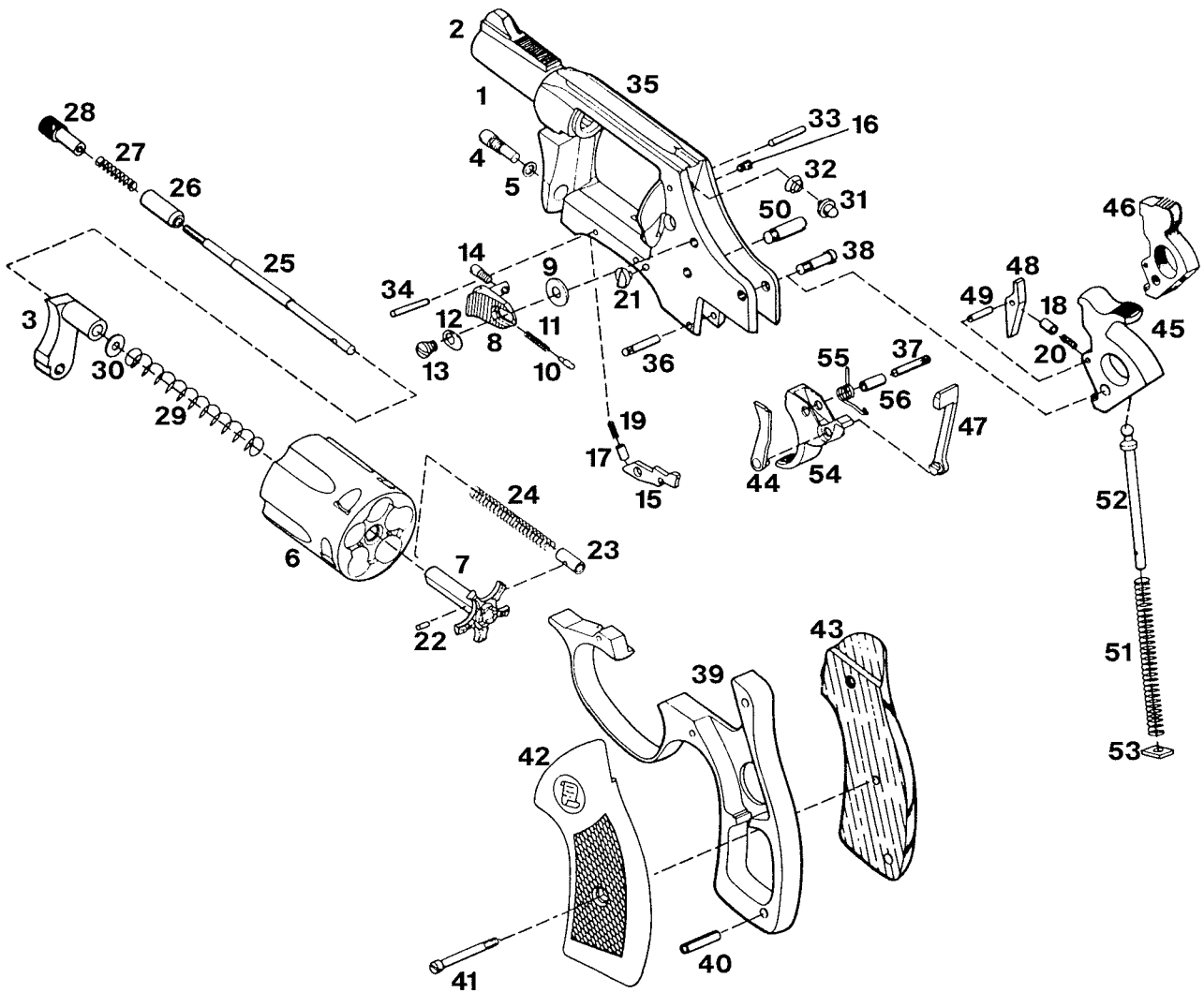
1	Barrel	20	Hammer Plunger Spring	39	Left Grip, Round Butt
2	Front Sight	21	Cylinder Stop Stud	40	Right Grip, Round Butt
3	Crane	22	Ejector Rod Assembly Pin	41	Left Grip, Square Butt
4	Crane Screw	23	Ejector Rod Bushing	42	Right Grip, Square Butt
5	Crane Screw Washer	24	Ejector Rod Lock Spring	43	Cylinder Hand
6	Cylinder	25	Ejector Rod	44	Hammer, Regular
7	Ejector	26	Ejector Rod Return Spring	45	Hammer, Spurless
8	Cylinder Latch	27	Ejector Rod Washer	46	Hammer Block
9	Cylinder Latch Washer	28	Firing Pin	47	Hammer Pawl
10	Cylinder Latch Plunger	29	Firing Pin Spring	48	Hammer Pawl Pin
11	Cylinder Latch Plunger Spring	30	Firing Pin Retaining Pin	49	Hammer Screw
12	Cylinder Latch Cover Plate	31	Cylinder Retaining Pin	50	Hammer Spring
13	Cylinder Latch Retaining Screw	32	Frame	51	Hammer Spring Strut
14	Cylinder Latch Release Screw	33	Frame Assembly Pin	52	Hammer Spring Seat
15	Cylinder Stop	34	Trigger Pin	53	Trigger
16	Cylinder Stop Bushing	35	Frame Assembly Screw	54	Trigger Spring
17	Cylinder Plunger	36	Grip Frame/Trigger Guard	55	Trigger Spring Bushing
18	Hammer Plunger	37	Grip Locating Pin		
19	Cylinder Plunger Spring	38	Grip Screw		

Target Bulldog Revolver



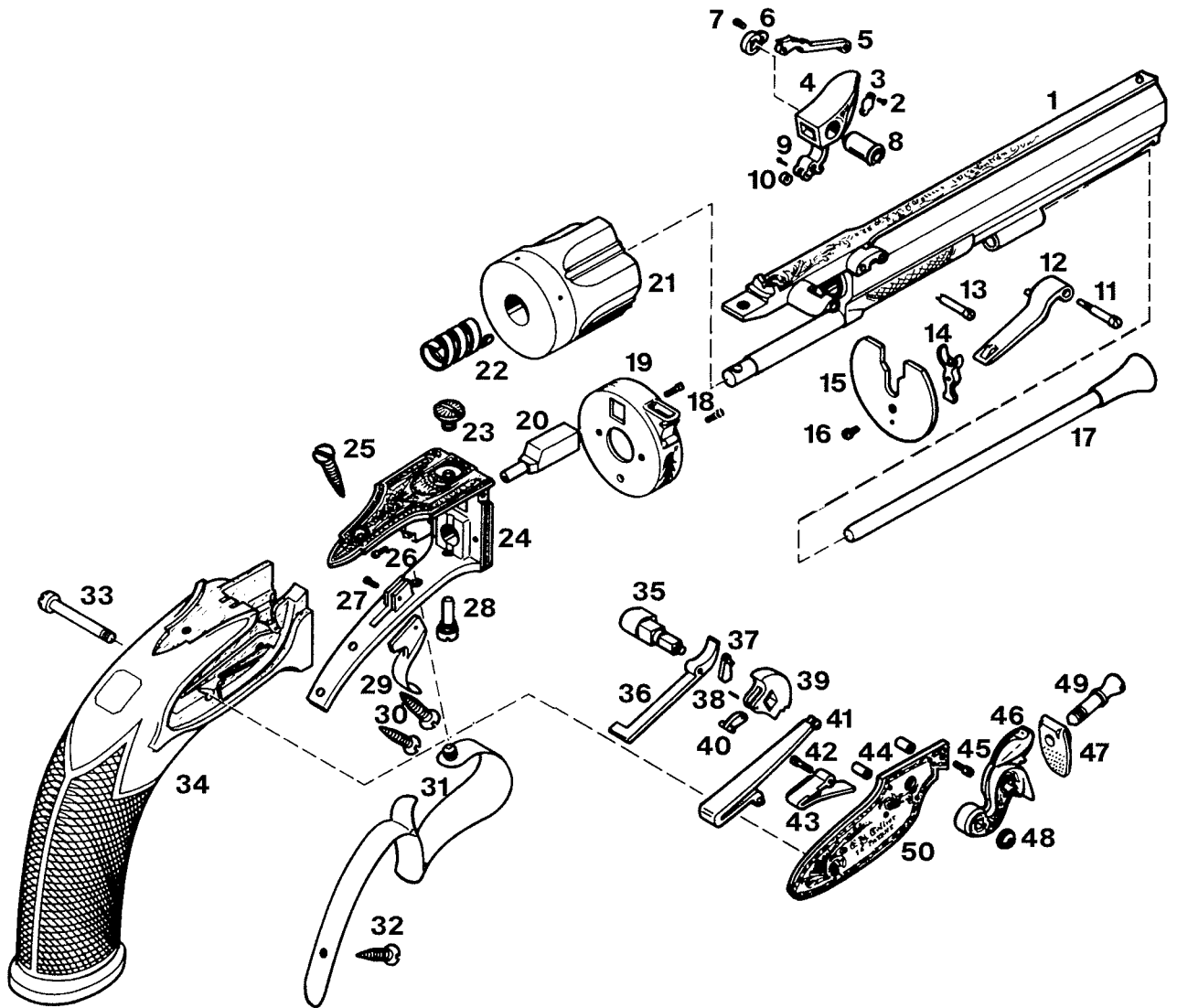
1	Grip Frame	21	Ejector Rod Collar Spring	43	Mainspring Seat
2	Crane	22	Ejector Rod Head	44	Trigger
3	Crane Screw	23	Ejector Rod Lock Spring	45	Trigger Spring
4	Cylinder	24	Ejector Rod Washer	46	Trigger Spring Bushing
5	Cylinder Latch	25	Firing Pin	47	Crane Screw Washer
6	Cylinder Latch Cover Plate	26	Firing Pin Spring	48	Cylinder Latch Spring
7	Cylinder Latch Washer	27	Frame and Barrel	49	Rear Sight Base
8	Cylinder Latch Release Screw	28	Frame Assembly and Trigger Pins	50	Sight Detent Ball
9	Cylinder Latch Retaining Screw	29	Frame Assembly Screw	51	Sight Detent Spring
10	Cylinder Stop	30	Barrel Shroud	52	Sight Elevation Screw
11	Cylinder Stop Bushing	31	Left Grip	53	Sight Windage Plunger
12	Cylinder Stop and Firing Pin Retaining Pins	32	Right Grip	54	Sight Windage Screw
13	Cylinder Stop and Hammer Pawl Plungers	33	Grip Screw	55	Sight Windage Spring
14	Ejection Stud	34	Hammer	56	Sight Elevation Spring
15	Ejector	35	Hammer Block Assembly	57	Barrel Shroud Screw
16	Ejector Return Spring	36	Cylinder Latch Plunger	58	Cylinder Stop Plunger Spring
17	Ejector Rod	37	Hammer Pawl	59	Hammer Pawl Plunger Spring
18	Ejector Rod Assembly Pin	38	Hammer Pawl Pin		
19	Ejector Rod Bushing	39	Hammer Screw		
20	Ejector Rod Collar	40	Hand Assembly		
		41	Mainspring		
		42	Mainspring Strut		
		43	Mainspring Seat		
		44	Trigger		
		45	Trigger Spring		
		46	Trigger Spring Bushing		
		47	Crane Screw Washer		
		48	Cylinder Latch Spring		
		49	Rear Sight Base		
		50	Sight Detent Ball		
		51	Sight Detent Spring		
		52	Sight Elevation Screw		
		53	Sight Windage Plunger		
		54	Sight Windage Screw		
		55	Sight Windage Spring		
		56	Sight Elevation Spring		
		57	Barrel Shroud Screw		
		58	Cylinder Stop Plunger Spring		
		59	Hammer Pawl Plunger Spring		
			Parts Not Shown		
			Grip Escutcheon		
			Grip Escutcheon Nut		
			Grip Locating Pin		

Undercover Revolver



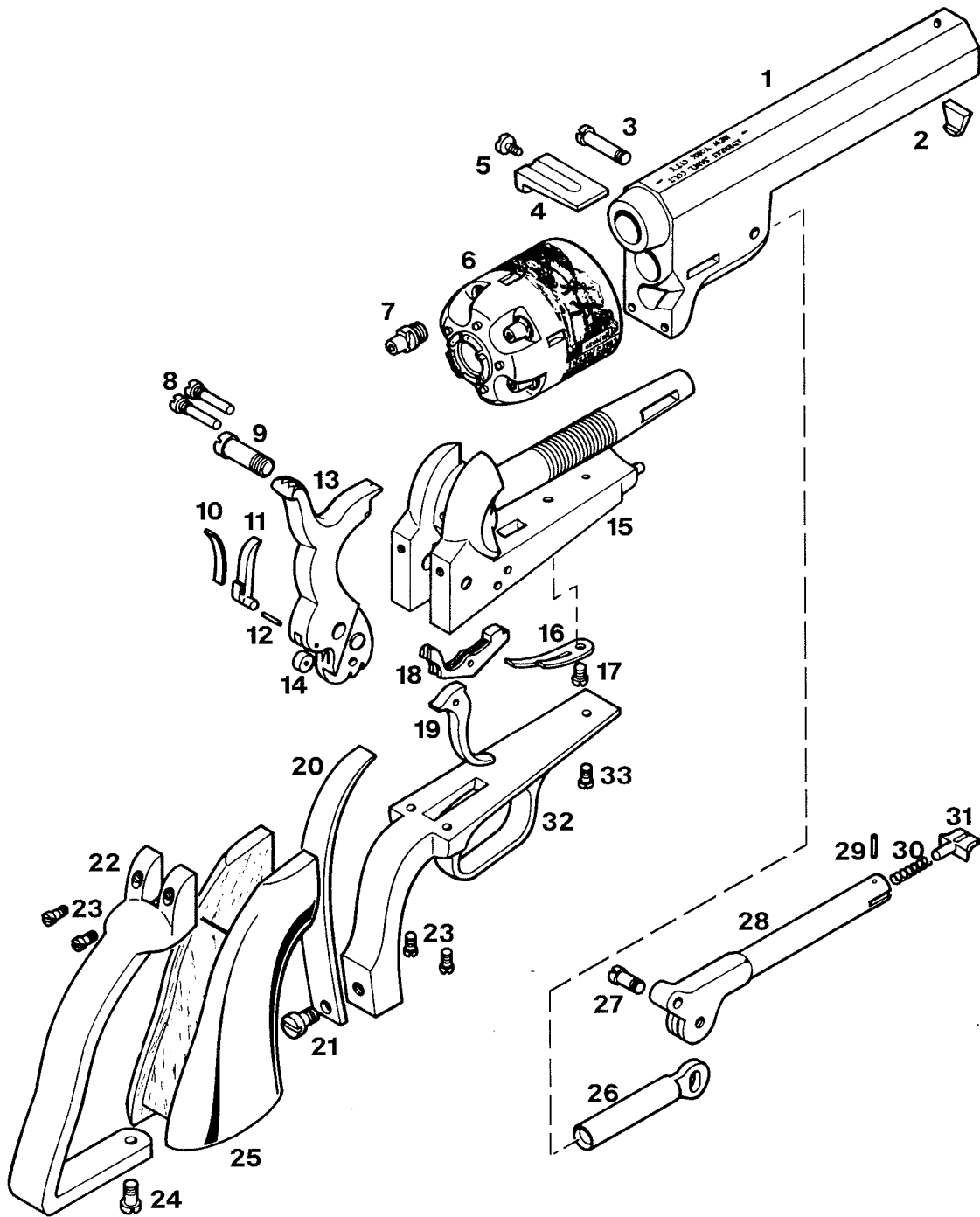
1	Barrel	20	Hammer Plunger Spring	39	Grip Frame/Trigger Guard
2	Front Sight	21	Cylinder Stop Stud	40	Grip Locating Pin
3	Crane	22	Ejector Rod Assembly Pin	41	Grip Screw
4	Crane Screw	23	Ejector Rod Bushing	42	Left Grip
5	Crane Screw Washer	24	Ejector Rod Lock Spring	43	Right Grip
6	Cylinder	25	Ejector Rod	44	Hand
7	Ejector	26	Ejector Rod Collar	45	Hammer, Regular
8	Cylinder Latch	27	Ejector Rod Collar Spring	46	Hammer, Spurless
9	Cylinder Latch Washer	28	Ejector Rod Head	47	Hammer Block
10	Cylinder Latch Plunger	29	Ejector Rod Return Spring	48	Hammer Pawl
11	Cylinder Latch Plunger Spring	30	Ejector Rod Washer	49	Hammer Pawl Pin
12	Cylinder Latch Cover Plate	31	Firing Pin	50	Hammer Screw
13	Cylinder Latch Retaining Screw	32	Firing Pin Spring	51	Hammer Spring
14	Cylinder Latch Release Screw	33	Firing Pin Retaining Pin	52	Hammer Spring Strut
15	Cylinder Stop	34	Cylinder Retaining Pin	53	Hammer Spring Seat
16	Cylinder Stop Bushing	35	Frame	54	Trigger
17	Cylinder Plunger	36	Frame Assembly Pin	55	Trigger Spring
18	Hammer Plunger	37	Trigger Pin	56	Trigger Spring Bushing
19	Cylinder Plunger Spring	38	Frame Assembly Screw		

Flintlock Revolver



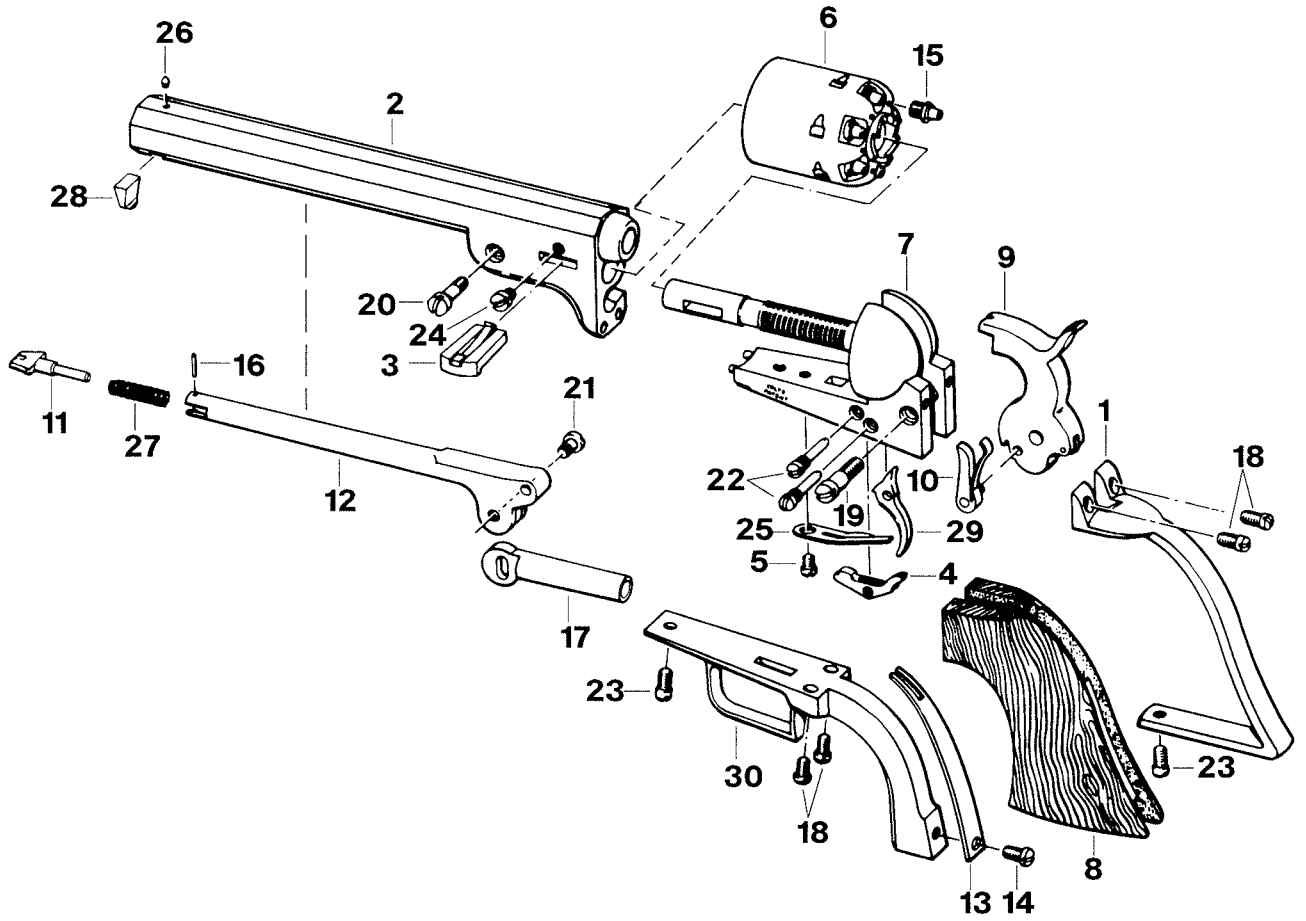
Key					
1	Barrel	17	Ramrod	34	Stock
2	Priming Reservoir Cover Screw	18	Pan Housing Screws	35	Hammer Pivot
3	Priming Reservoir Cover	19	Pan Housing	36	Sear
4	Frizzen	20	Pan Housing Index Block	37	Fly
5	Priming Drum Lever	21	Cylinder	38	Stirrup Pin
6	Priming Drum Retainer Lock	22	Cylinder Spring	39	Tumbler
7	Priming Drum Retainer Lock Screw	23	Upper Barrel Mounting Screw	40	Stirrup
8	Priming Drum	24	Frame	41	Mainspring
9	Frizzen Spring Roller Screw	25	Tang Screw	42	Sear Spring Screw
10	Frizzen Spring Roller	26	Pan Housing Index Block Screw	43	Sear Spring
11	Frizzen Spring Screw	27	Trigger Pivot Screw	44	Lockplate Bushings
12	Frizzen Spring	28	Lower Barrel Mounting Screw	45	Lockplate Screw
13	Frizzen Pivot	29	Trigger	46	Hammer
14	Cylinder Plate Yoke	30	Tang Screws	47	Top Jaw
15	Cylinder Plate	31	Trigger Guard	48	Hammer Cap Nut
16	Cylinder Plate Screw	32	Trigger Guard Screw	49	Jaw Screw
		33	Lockplate Screw	50	Lockplate

1849 Revolver



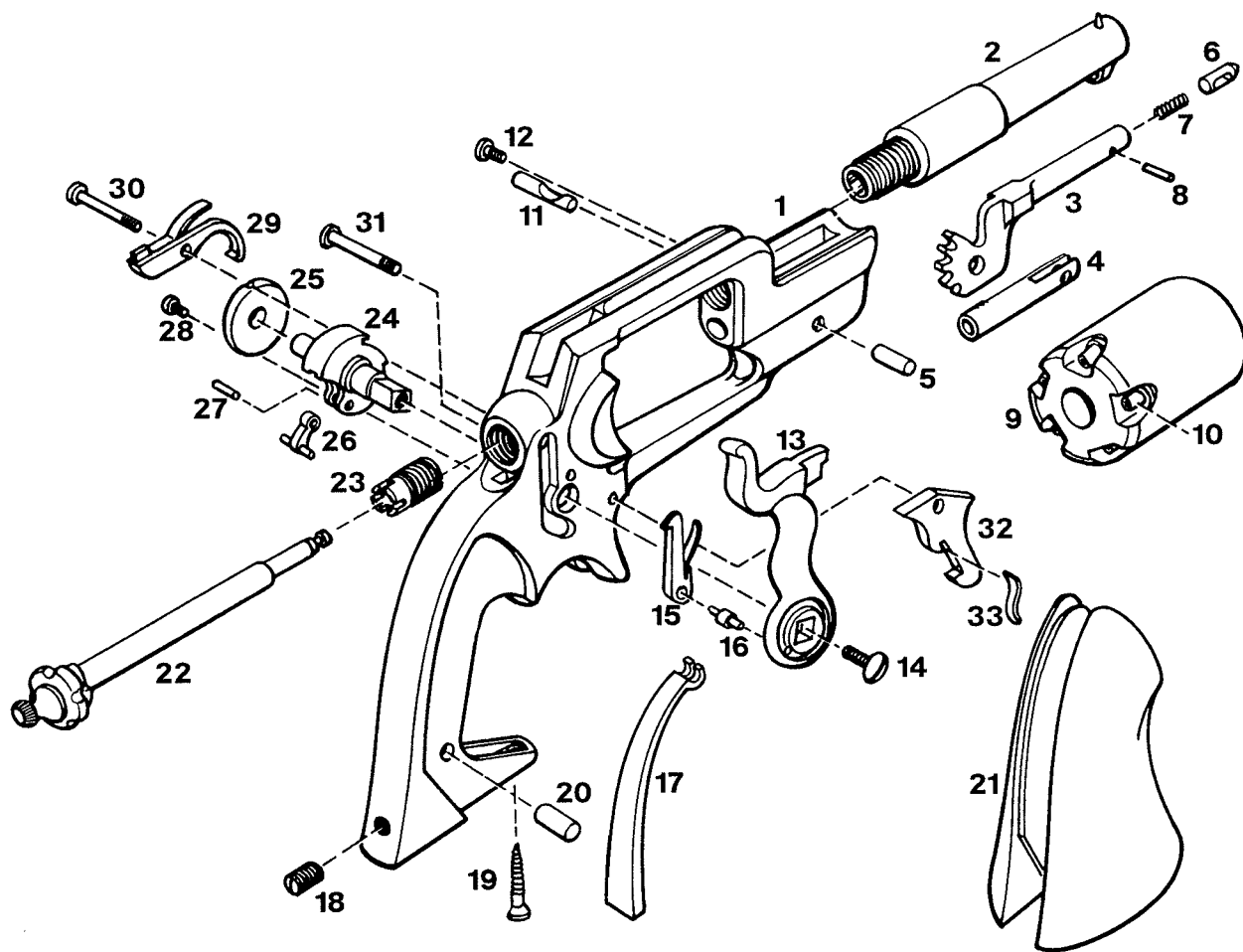
1	Barrel	13	Hammer	24	Butt Screw
2	Loading Lever Catch	14	Hammer Roller	25	Stocks
3	Loading Lever Screw	15	Frame	26	Loading Lever Plunger
4	Barrel Key	16	Trigger and Bolt Spring	27	Loading Lever Plunger Screw
5	Barrel Wedge Screw	17	Trigger and Bolt Spring Screw	28	Loading Lever
6	Cylinder	18	Bolt	29	Loading Lever Catch Pin
7	Nipple	19	Trigger	30	Loading Lever Catch Spring
8	Trigger and Bolt Stop Screws	20	Mainspring	31	Loading Lever Catch
9	Hammer Screw	21	Mainspring Screw	32	Trigger Guard
10	Hand Spring	22	Backstrap	33	Trigger Guard Screw
11	Hand	23	Backstrap and Trigger Guard Screws		
12	Hammer Roller Pin				

1851 Navy and 1862 Pocket Navy Revolver



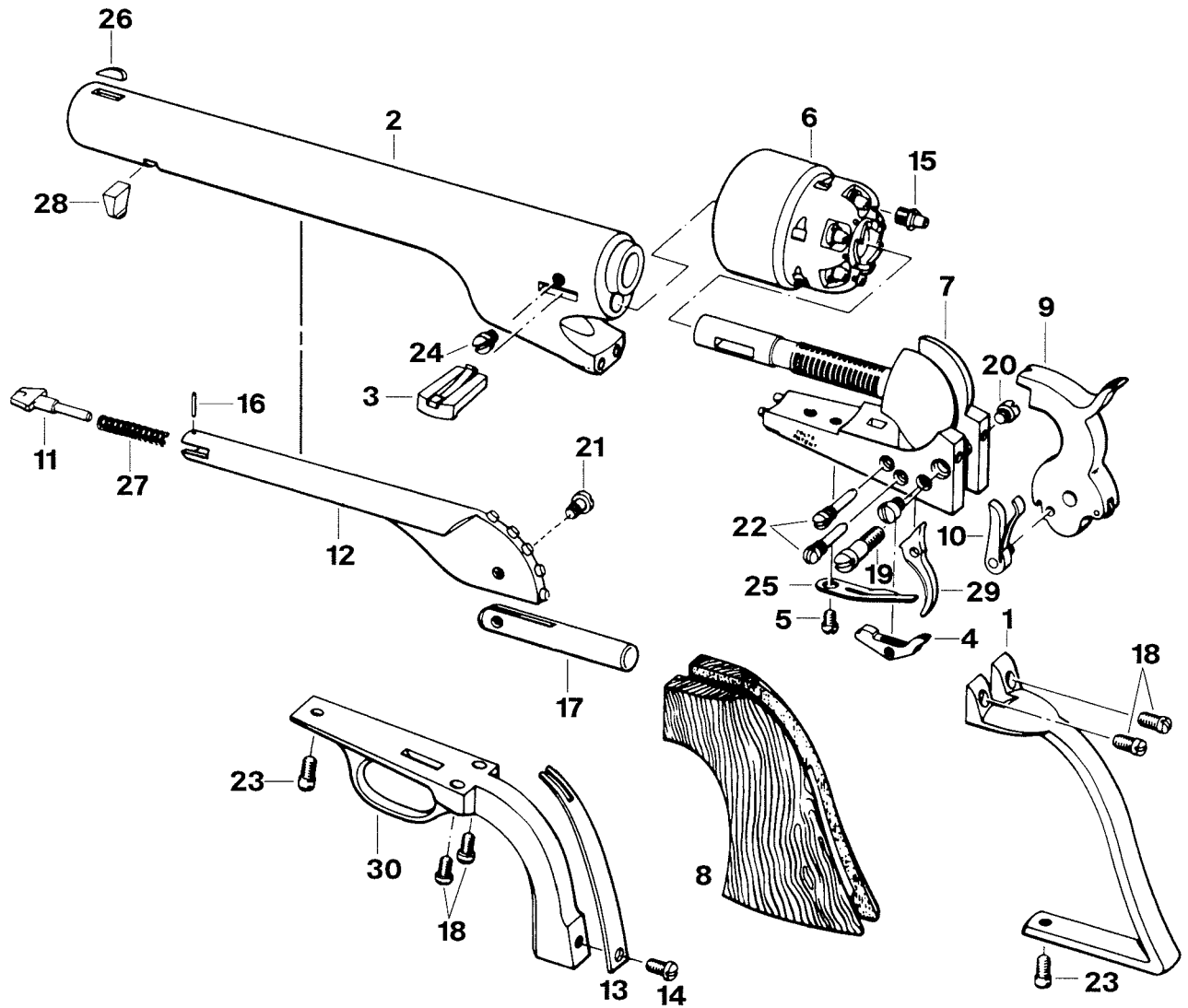
Key			
1	Backstrap	21	Loading Lever Plunger Screw
2	Barrel	22	Bolt and Trigger Screws
3	Barrel Wedge	23	Trigger Guard and Butt Screws
4	Bolt	24	Wedge Screw
5	Bolt Spring Screw	25	Sear and Bolt Spring
6	Cylinder	26	Front Sight
7	Frame	27	Loading Lever Latch Spring
8	Stocks	28	Barrel Stud
9	Hammer	29	Trigger
10	Hand and Spring Assembly	30	Trigger Guard
11	Loading Lever Latch		
12	Loading Lever		
13	Mainspring		
14	Mainspring Screw		
15	Nipple		
16	Loading Lever Latch Retaining Pin		
17	Loading Lever Plunger		
18	Backstrap and Guard Screws		
19	Hammer Screw		
20	Loading Lever Screw		

1855 Sidehammer Revolver



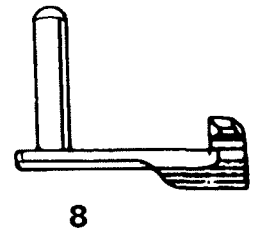
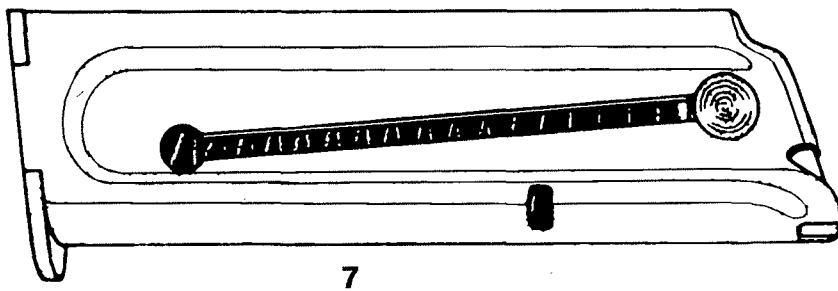
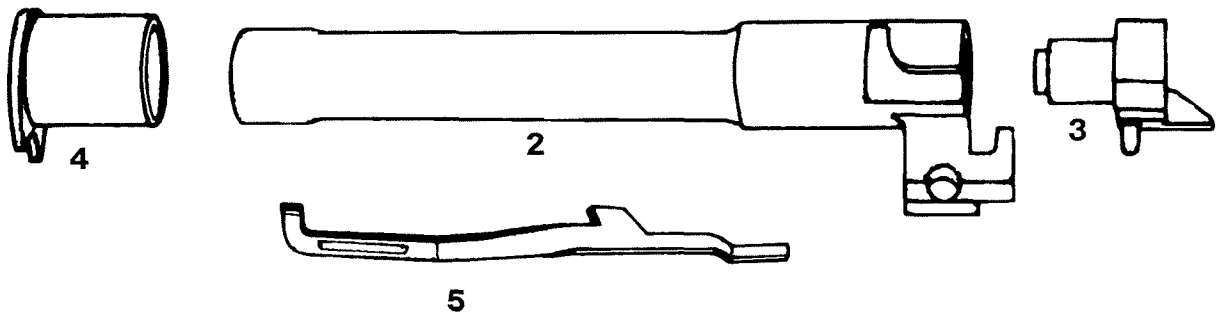
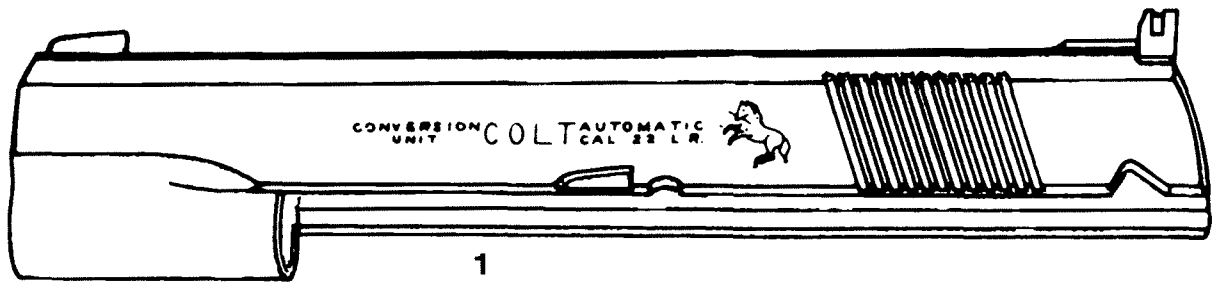
1	Frame	17	Mainspring
2	Barrel	18	Mainspring Tension Screw
3	Loading Lever	19	Grip Screw
4	Loading Lever Plunger	20	Mainspring Pin
5	Loading Lever Plunger Pin	21	Stocks
6	Loading Lever Latch	22	Cylinder Arbor
7	Loading Lever Latch Spring	23	Cylinder Arbor Sleeve
8	Loading Lever Latch Pin	24	Sear
9	Cylinder	25	Sideplate
10	Nipple	26	Stirrup
11	Cylinder Arbor Retaining Pin	27	Stirrup Pin
12	Cylinder Arbor Retaining Pin Screw	28	Sideplate Screw
13	Hammer	29	Cylinder Stop and Spring
14	Hammer Screw	30	Cylinder Stop Screw
15	Hand and Hand Spring	31	Trigger Screw
16	Hand Pin	32	Trigger
		33	Trigger Spring

1860 Army, 1861 Navy and 1862 Police Revolver



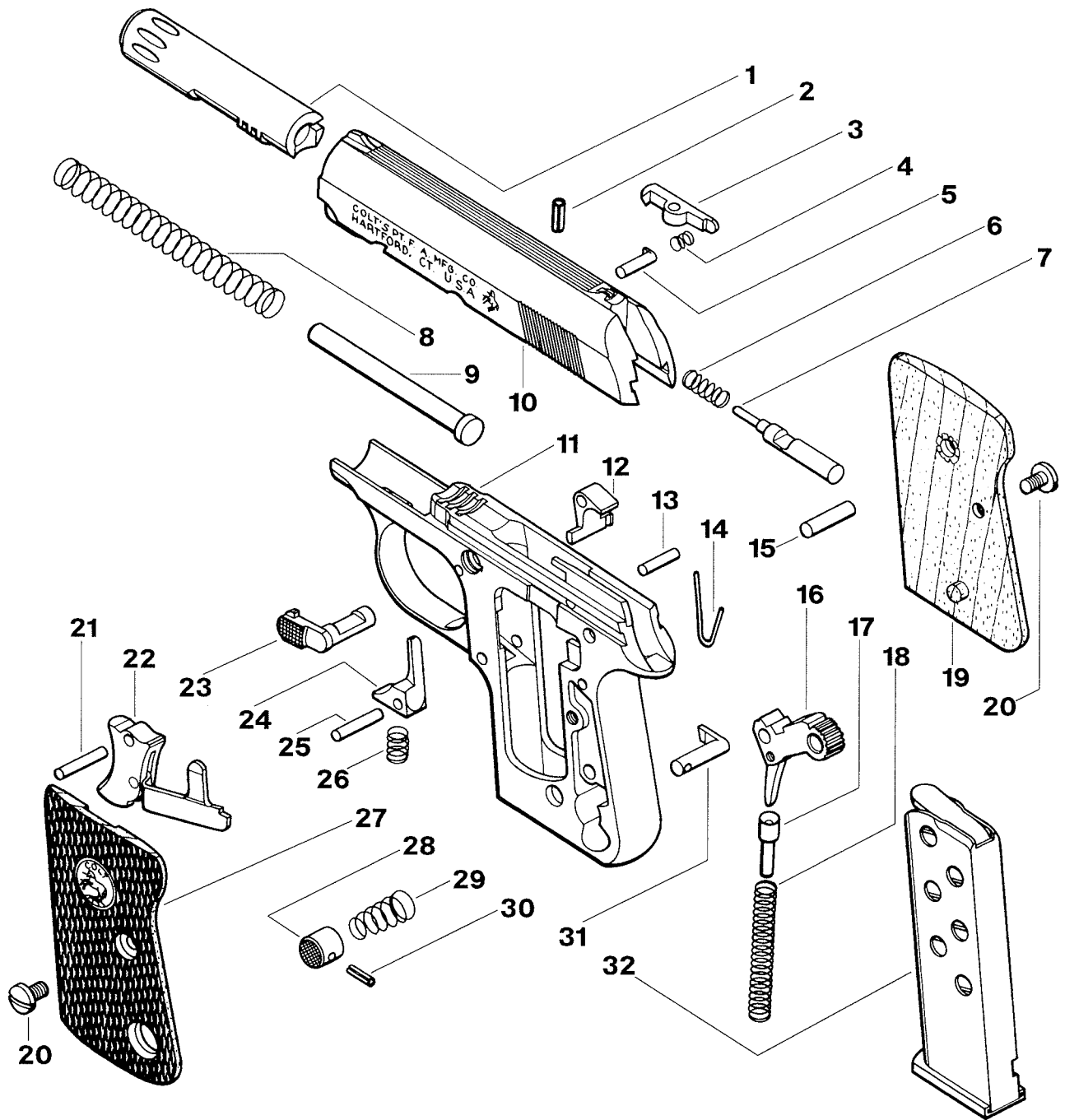
1	Backstrap	16	Loading Lever Latch Retaining Pin
2	Barrel	17	Loading Lever Plunger
3	Barrel Wedge	18	Backstrap and Guard Screws
4	Bolt	19	Hammer Screw
5	Bolt Spring Screw	20	Guide Screw
6	Cylinder	21	Loading Lever Plunger Screw
7	Frame	22	Bolt and Trigger Screws
8	Stocks	23	Trigger Guard and Butt Screw
9	Hammer	24	Wedge Screw
10	Hand and Spring Assembly	25	Sear and Bolt Spring
11	Loading Lever Latch	26	Front Sight
12	Loading Lever	27	Loading Lever Latch Spring
13	Mainspring	28	Barrel Stud
14	Mainspring Screw	29	Trigger
15	Nipple	30	Trigger Guard

22-Caliber Conversion Unit



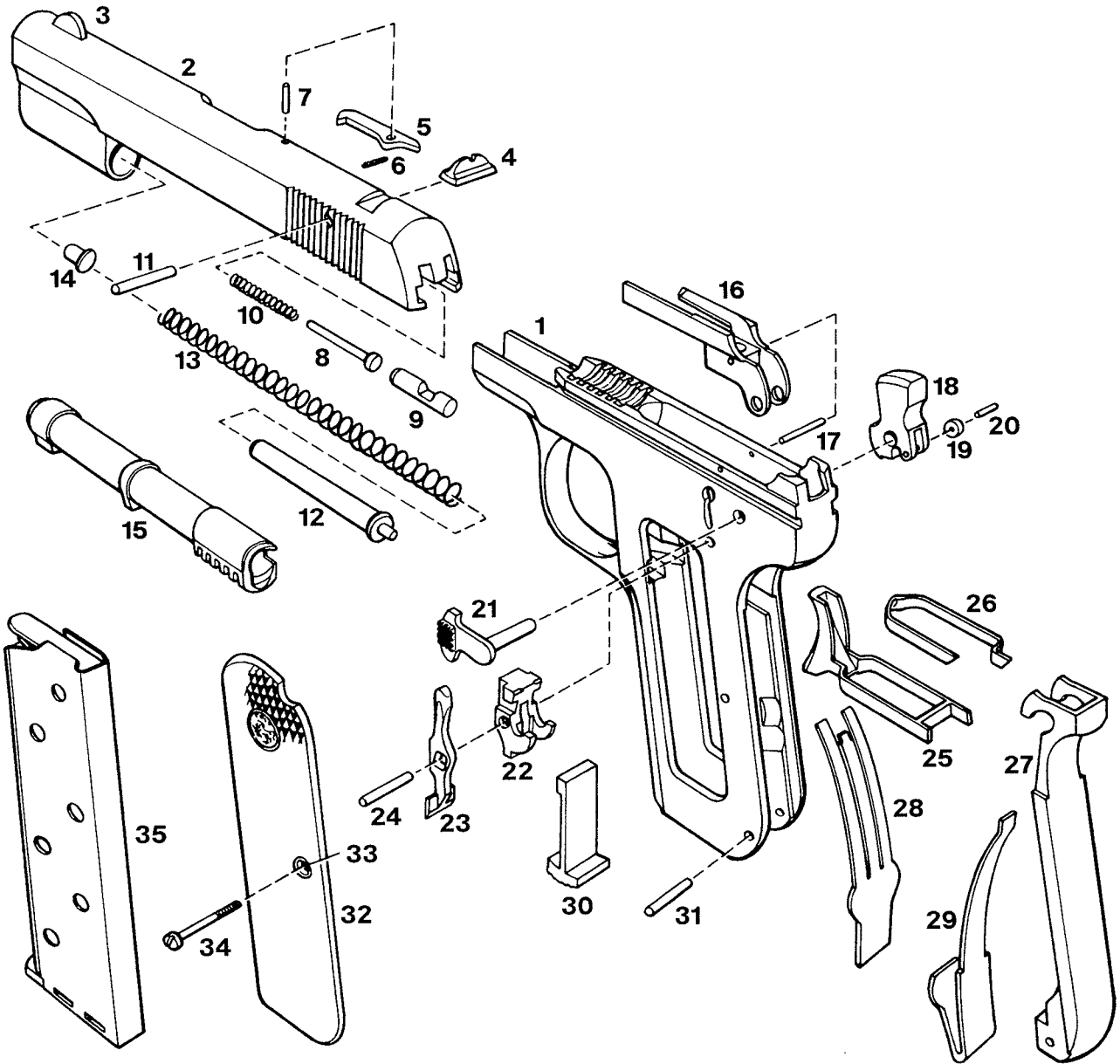
1	Slide (with Sights)	5	Ejector
2	Barrel	6	Recoil Spring
3	Floating Chamber	7	Magazine
4	Barrel Bushing	8	Slide Stop

22 Short and 25 ACP Pocket Auto



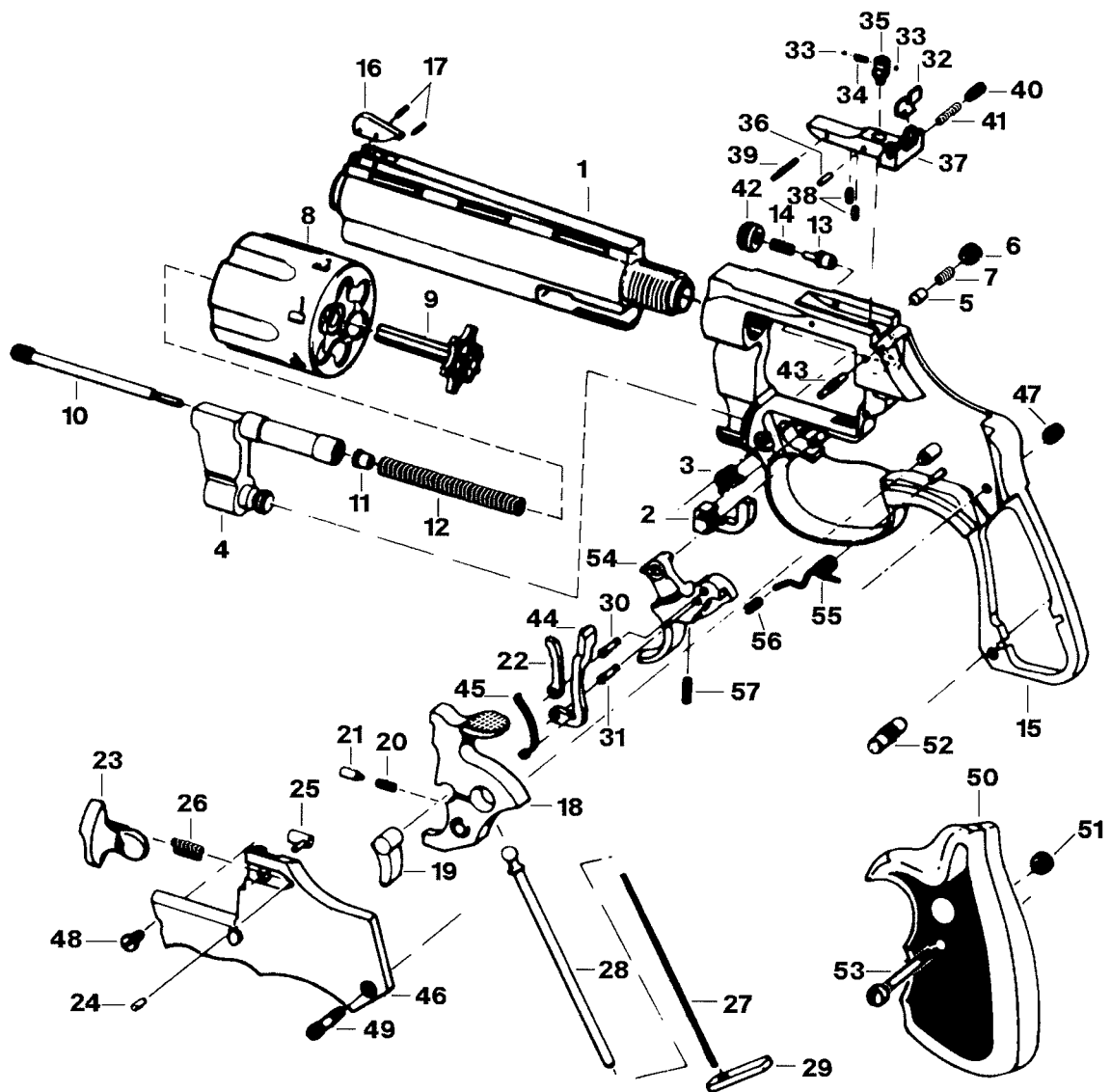
1	Barrel	12	Sear	23	Thumb Safety
2	Extractor Pivot Pin	13	Sear Pin	24	Magazine Safety
3	Extractor	14	Sear Spring	25	Magazine Safety Pin
4	Extractor Spring	15	Hammer Pin	26	Magazine Safety Spring
5	Firing Pin Retaining Pin	16	Hammer	27	Left Grip
6	Firing Pin Spring	17	Hammer Spring Guide	28	Magazine Catch Button
7	Firing Pin	18	Hammer Spring	29	Magazine Catch Spring
8	Recoil Spring	19	Right Grip	30	Magazine Catch Button Pin
9	Recoil Spring Plunger	20	Grip Screw	31	Magazine Catch
10	Slide	21	Trigger Pin	32	Magazine
11	Frame	22	Trigger with Disconnecter		

1908 Model M Pocket Auto 32 ACP and 380 ACP



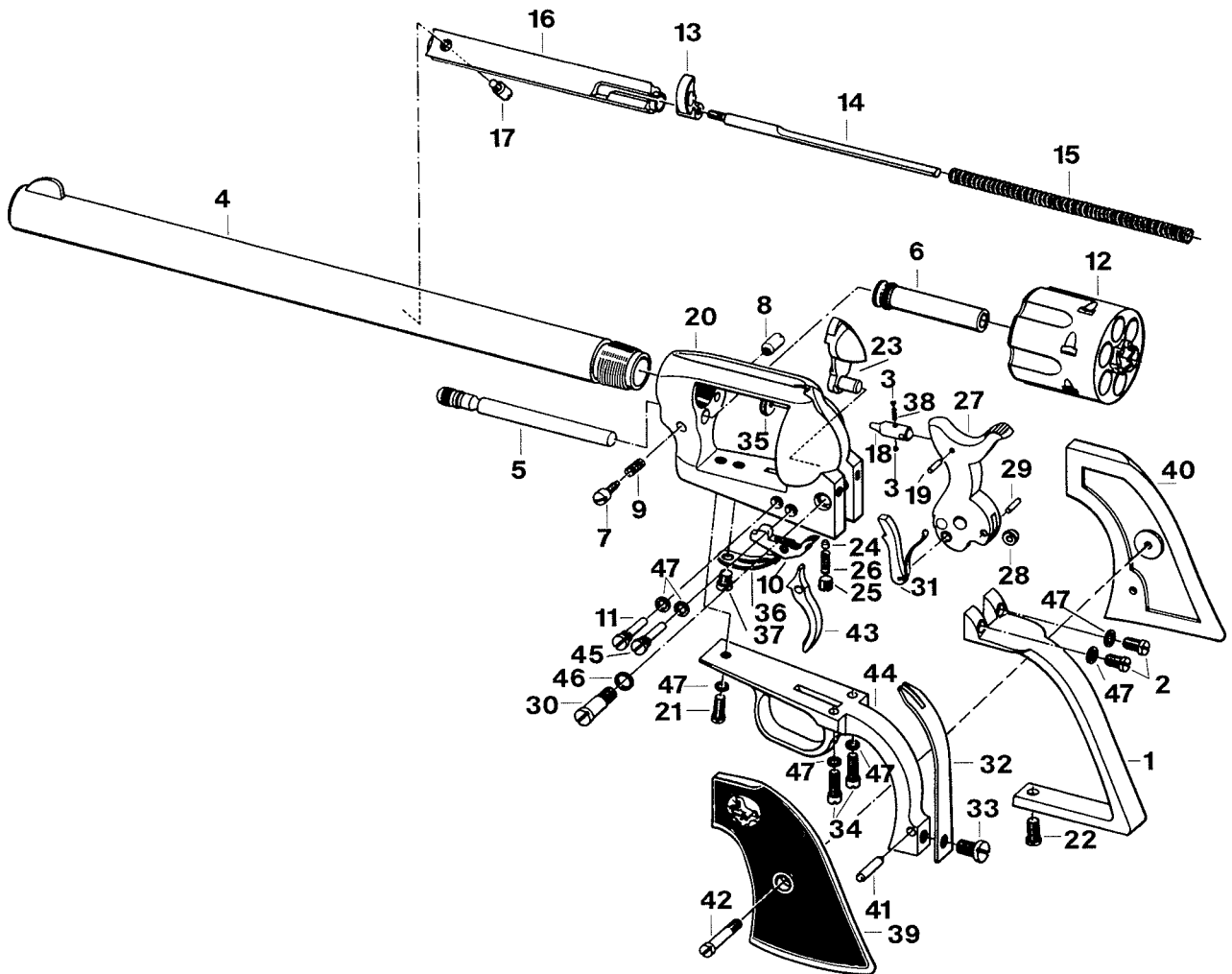
1	Frame	13	Recoil Spring	25	Trigger
2	Slide	14	Recoil Spring Plug	26	Depressor
3	Front Sight	15	Barrel	27	Grip Safety
4	Rear Sight	16	Ejector	28	Sear Spring
5	Extractor	17	Ejector Pin	29	Mainspring
6	Extractor Spring	18	Hammer	30	Magazine Catch
7	Extractor Pivot Pin	19	Hammer Roller Bushing	31	Grip Safety Pin
8	Firing Pin	20	Hammer Roller Pin	32	Grip
9	Firing Pin Impeller	21	Slide Lock	33	Grip Escutcheon
10	Firing Pin Spring	22	Sear	34	Grip Screw
11	Firing Pin Lock Pin	23	Disconnector	35	Magazine with Spring and Follower
12	Recoil Spring Guide	24	Sear Pin		

Anaconda Revolver



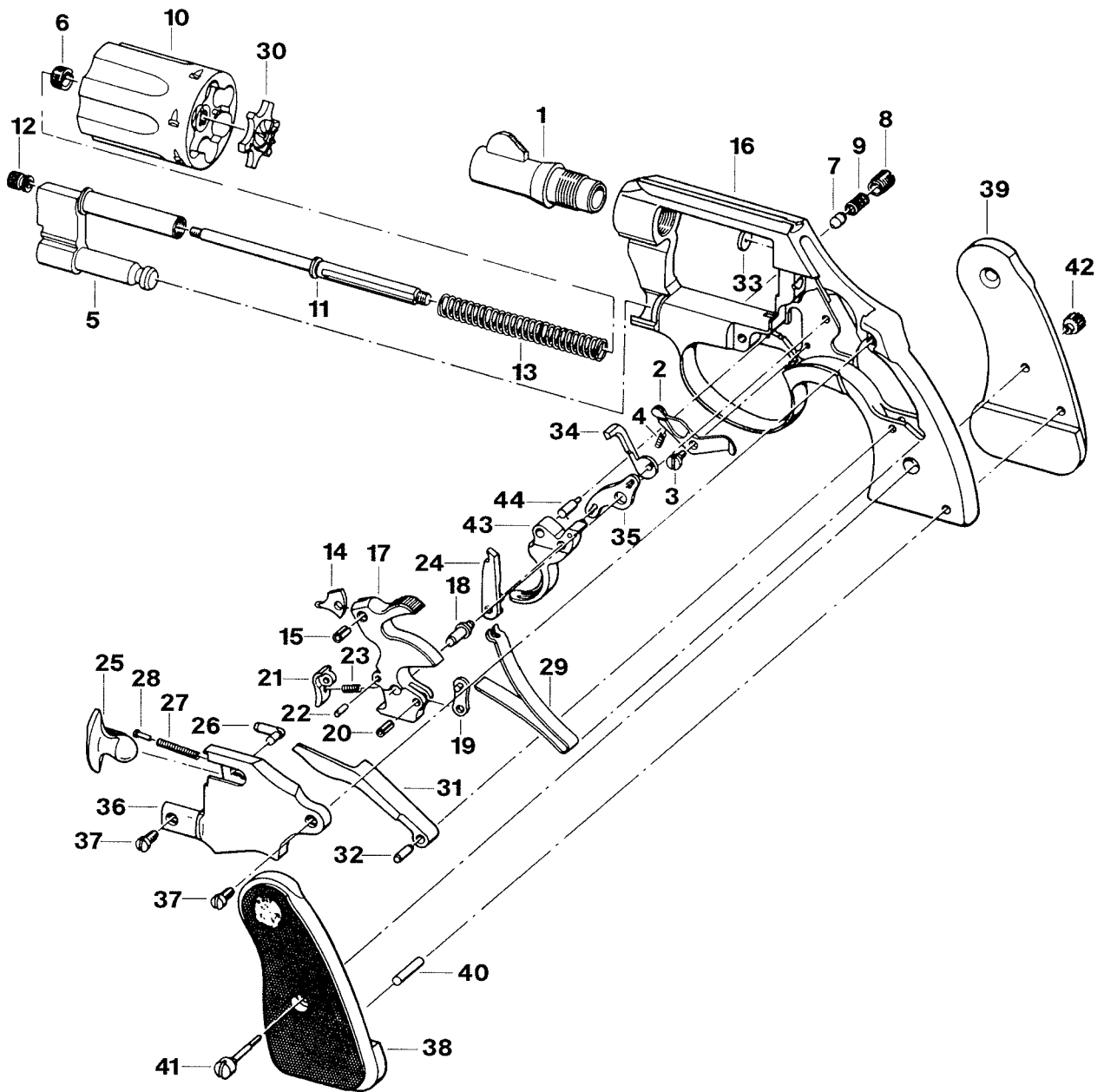
1	Barrel	20	Hammer Strut Spring	39	Rear Sight Leaf Pin
2	Bolt	21	Hammer Strut Spring Guide	40	Rear Sight Windage Screw
3	Bolt Spring	22	Hand	41	Rear Sight Windage Spring
4	Crane	23	Latch	42	Recoil Plate
5	Crane Lock Detent	24	Latch Insert	43	Recoil Plate Pin
6	Crane Lock Screw	25	Latch Pin Assembly	44	Safety Connector
7	Crane Lock Spring	26	Latch Spring	45	Safety Connector and Hand Spring
8	Cylinder	27	Hammer Spring	46	Sideplate
9	Ejector Ratchet and Stem	28	Hammer Spring Guide	47	Sideplate Nut
10	Ejector Rod	29	Hammer Spring Seat	48	Sideplate Screw
11	Ejector Rod Bushing	30	Hand Pivot Pin	49	Sideplate and Stock Screw
12	Ejector Spring	31	Safety-Lever Pivot Pin	50	Stock
13	Firing Pin	32	Rear Sight Blade	51	Stock Screw Nut
14	Firing Pin Spring	33	Rear Sight Blade	52	Stock Pin
15	Frame	34	Rear Sight Detent Spring	53	Stock Screw
16	Front Sight Blade	35	Rear Sight Elevation Screw	54	Trigger Assembly
17	Front Sight Blade Pin	36	Rear Sight Elevation Screw Pin	55	Trigger Return Spring
18	Hammer	37	Rear Sight Base	56	Trigger Return Spring Guide
19	Hammer Strut	38	Rear Sight Base Elevation Springs	57	Trigger Screw

Buntline Special Revolver



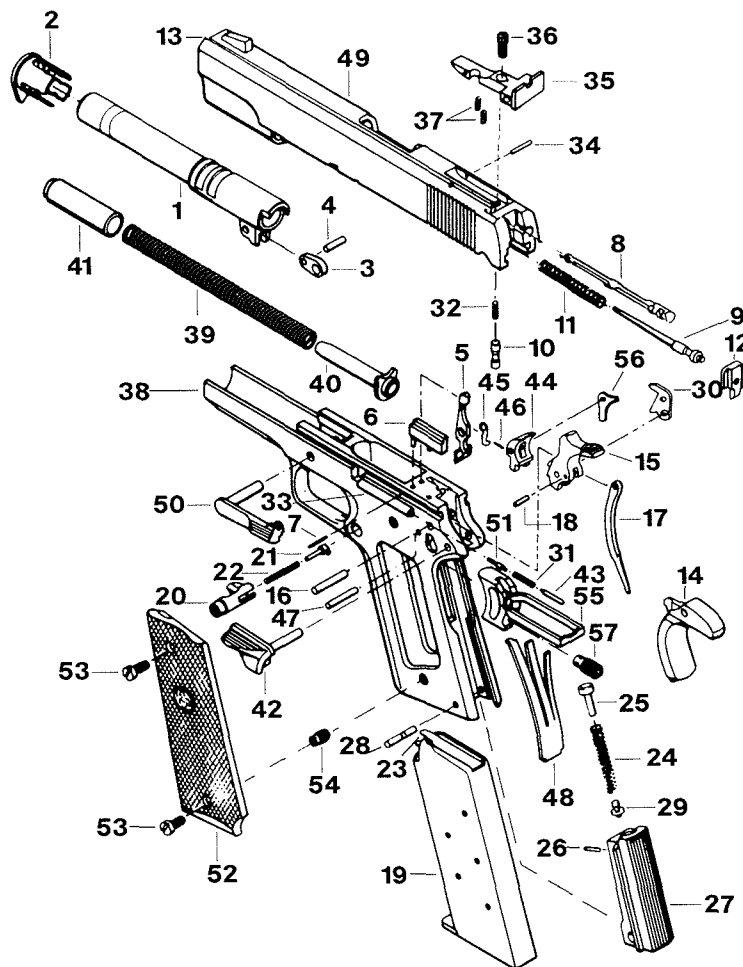
1	Backstrap	17	Ejector Rod Tube Screw	33	Mainspring Screw
2	Backstrap Screws	18	Firing Pin	34	Rear Guard Screws
3	Firing Pin Ball	19	Firing Pin Rivet	35	Recoil Plate
4	Barrel	20	Frame	36	Sear and Bolt Spring
5	Cylinder Base Pin	21	Front Guard Screw	37	Sear and Bolt Spring Screw
6	Cylinder Base Pin Bushing	22	Front Backstrap Screw	38	Firing Pin Detent Spring
7	Cylinder Base Pin Screw	23	Loading Gate	39	Stock, Left
8	Cylinder Base Pin Screw Nut	24	Loading Gate Catch	40	Stock, Right
9	Cylinder Base Pin Spring	25	Loading Gate Catch Screw	41	Stock Pin
10	Bolt	26	Loading Gate Spring	42	Stock Screw
11	Bolt Screw	27	Hammer	43	Trigger
12	Cylinder	28	Hammer Roller Bushing	44	Trigger Guard
13	Ejector Head	29	Hammer Roller Pin	45	Trigger Screw
14	Ejector Rod	30	Hammer Screw	46	Hammer Screw Washer
15	Ejector Rod Spring	31	Hand and Hand Spring	47	Washer
16	Ejector Rod Tube	32	Mainspring		

Cobra Revolver (Old Model)



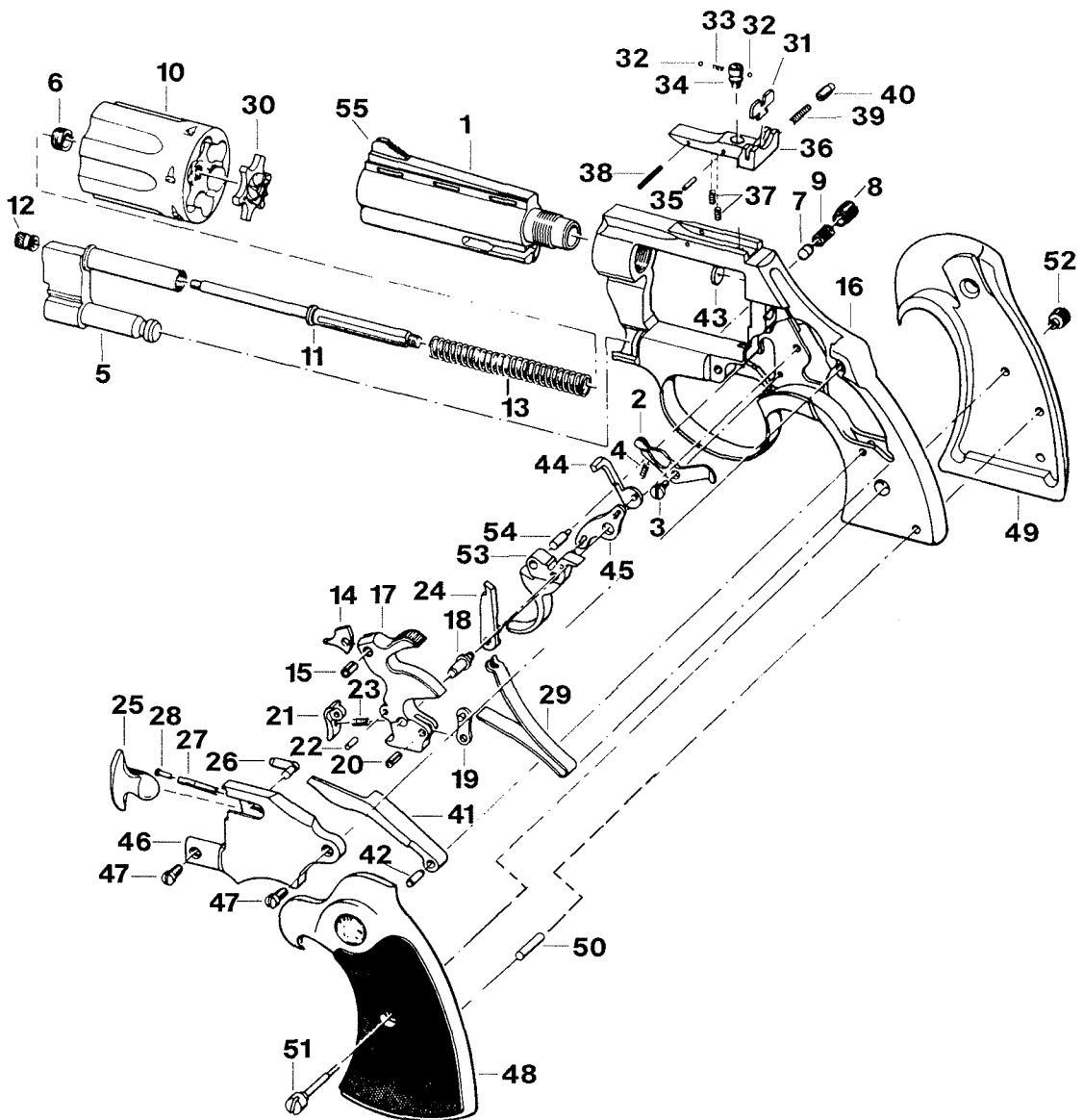
1	Barrel	16	Frame	31	Rebound Lever
2	Bolt	17	Hammer	32	Rebound Lever Pin
3	Shoulder Screw	18	Hammer Pivot Pin	33	Recoil Plate
4	Bolt Spring	19	Hammer Stirrup	34	Safety
5	Crane	20	Hammer Stirrup Pin	35	Safety-Lever
6	Crane Bushing	21	Hammer Strut	36	Sideplate
7	Crane Lock Detent	22	Hammer Strut Pin	37	Sideplate Screws
8	Spring Retaining Screw	23	Hammer Strut Spring	38	Left Grip
9	Crane Lock Spring	24	Hand	39	Right Grip
10	Cylinder	25	Cylinder Latch	40	Grip Alignment Pin
11	Ejector Rod	26	Cylinder Latch Pin	41	Grip Screw
12	Ejector Rod Head	27	Cylinder Latch Spring	42	Grip Screw Nut
13	Ejector Spring	28	Cylinder Latch Spring Guide	43	Trigger
14	Firing Pin	29	Mainspring	44	Trigger Shoulder Pin
15	Firing Pin Roll Pin	30	Ejector Ratchet		

Combat Commander, 10mm Delta Elite, Lightweight Commander MK.IV, Officers ACP MK.IV Series 80 and Gold Cup National Match MK.IV Series 80 Auto



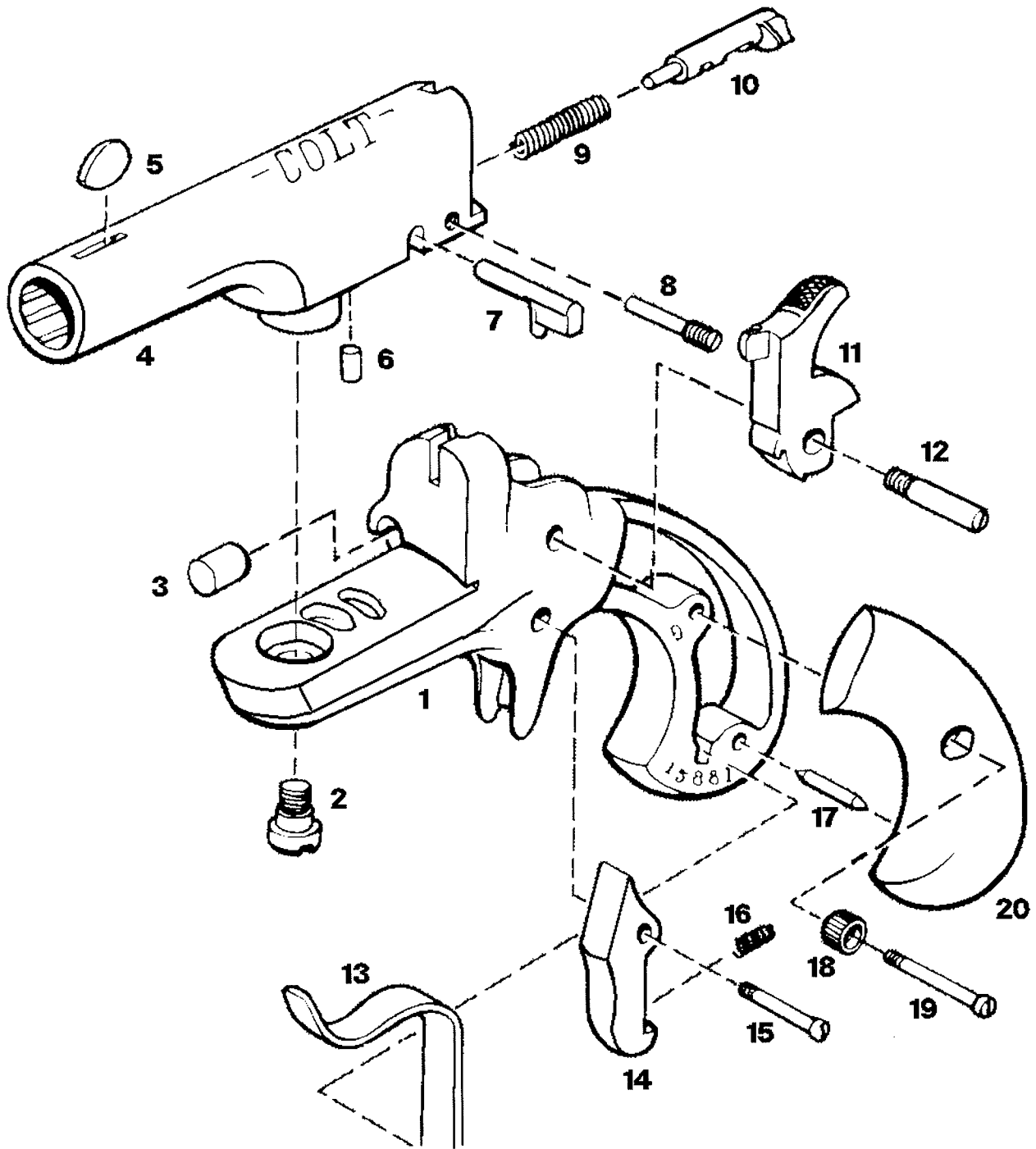
1	Barrel	25	Mainspring Cap	49	Slide
2	Barrel Bushing	26	Mainspring Cap Pin	50	Slide Stop
3	Barrel Link	27	Mainspring Housing (Flat)	51	Slide Stop Plunger
4	Barrel Link Pin	28	Mainspring Housing Pin	52	Stock
5	Disconnecter	29	Mainspring Housing Pin Retainer	53	Stock Screws
6	Ejector	30	Plunger Lever	54	Stock Screw Bushing
7	Ejector Pin	31	Plunger Spring	55	Trigger Assembly
8	Extractor	32	Firing Pin Plunger Spring	56	Trigger Bar Lever
9	Firing Pin	33	Plunger Tube	57	Trigger Stop
10	Firing Pin Plunger	34	Rear Sight Leaf Pin	Parts Not Shown	
11	Firing Pin Spring	35	Rear Sight Leaf	Firing Pin Block Plunger	
12	Firing Pin Stop	36	Rear Sight Elevation Screw	Firing Pin Block Plunger Spring	
13	Front Sight	37	Rear Sight Elevation Springs	Magazine Spring	
14	Grip Safety	38	Receiver	Rear Sight Blade	
15	Hammer	39	Recoil Spring	Rear Sight Detent Ball	
16	Hammer Pin	40	Recoil Spring Guide	Rear Sight Elevating Screw Pin	
17	Hammer Strut	41	Recoil Spring Plug	Rear Sight Windage Screw	
18	Hammer Strut Pin	42	Safety Lock	Rear Sight Windage Spring	
19	Magazine Assembly	43	Safety Lock Plunger	Sear Depressor Spring	
20	Magazine Catch	44	Sear	(Gold Cup only)	
21	Magazine Catch Lock	45	Depressor	Sear Depressor (Gold Cup only)	
22	Magazine Catch Spring	46	Depressor Spring		
23	Magazine Follower	47	Sear Pin		
24	Mainspring	48	Sear Spring		

Commando, Diamondback and Viper Revolver



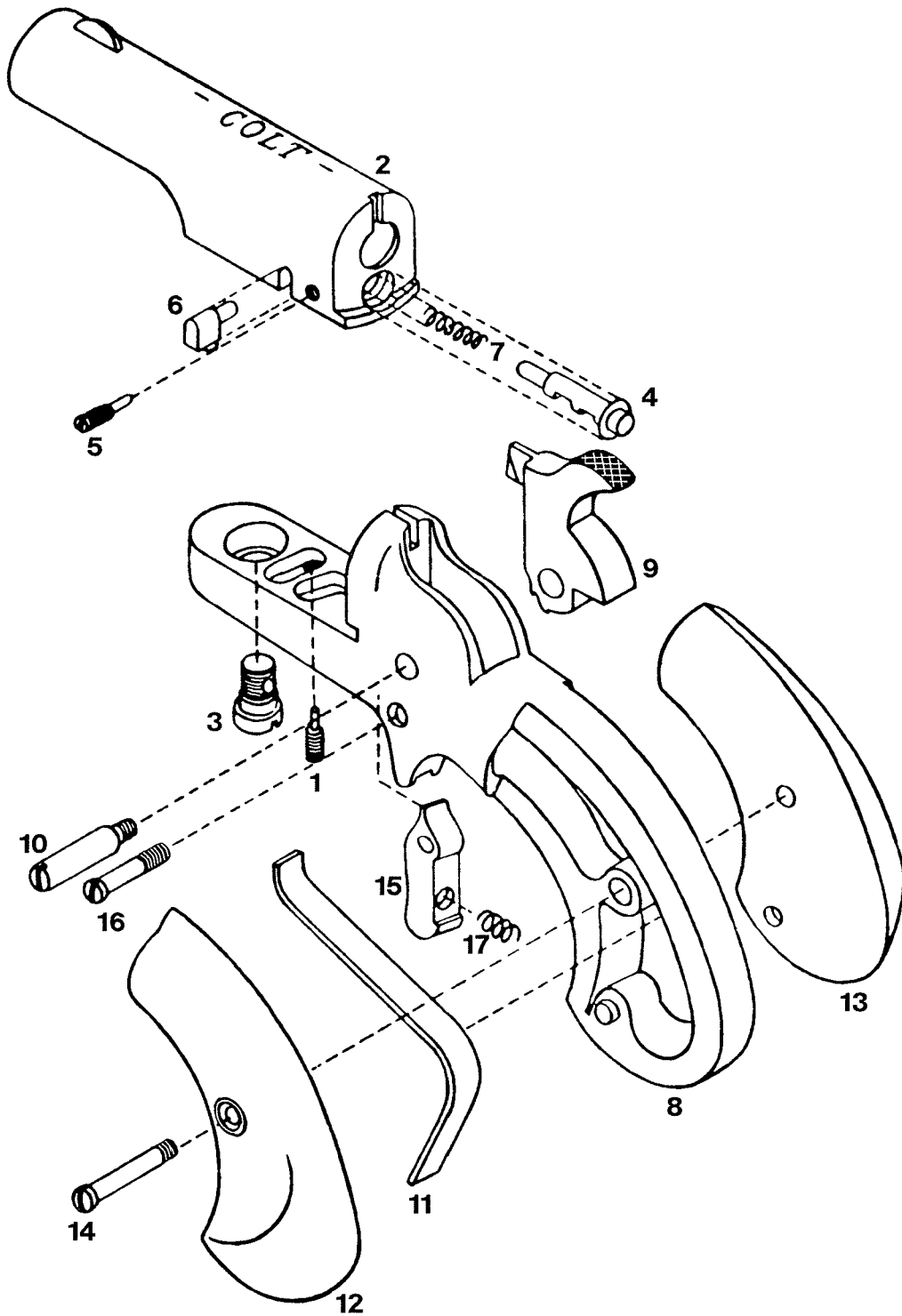
1	Barrel	21	Hammer Strut	40	Rear Sight Windage Screw
2	Bolt	22	Hammer Strut Pin	41	Rebound Lever
3	Bolt Screw	23	Hammer Strut Spring	42	Rebound Lever Pin
4	Bolt Spring	24	Hand	43	Recoil Plate
5	Crane	25	Latch	44	Safety
6	Crane Bushing	26	Latch Pin	45	Safety-Lever
7	Crane Lock Detent	27	Latch Spring	46	Sideplate
8	Crane Lock Screw	28	Latch Spring Guide	47	Sideplate Screw
9	Crane Lock Spring	29	Mainspring	48	Stock, Left
10	Cylinder	30	Ratchet	49	Stock, Right
11	Ejector Rod	31	Rear Sight Blade	50	Stock Pin
12	Ejector Rod Head	32	Rear Sight Detent Balls	51	Stock Screw
13	Ejector Spring	33	Rear Sight Detent Spring	52	Stock Screw Nut
14	Firing Pin	34	Rear Sight Elevation Screw	53	Trigger
15	Firing Pin Rivet	35	Rear Sight Elevation Screw Pin	54	Trigger Pin
16	Frame	36	Rear Sight Leaf	55	Front Sight
17	Hammer	37	Rear Sight Leaf Elevation Springs		
18	Hammer Pin	38	Rear Sight Leaf Pin	Parts Not Shown	Ejector Bushing
19	Hammer Stirrup	39	Rear Sight Windage Spring		
20	Hammer Stirrup Pin				

Derringer #3



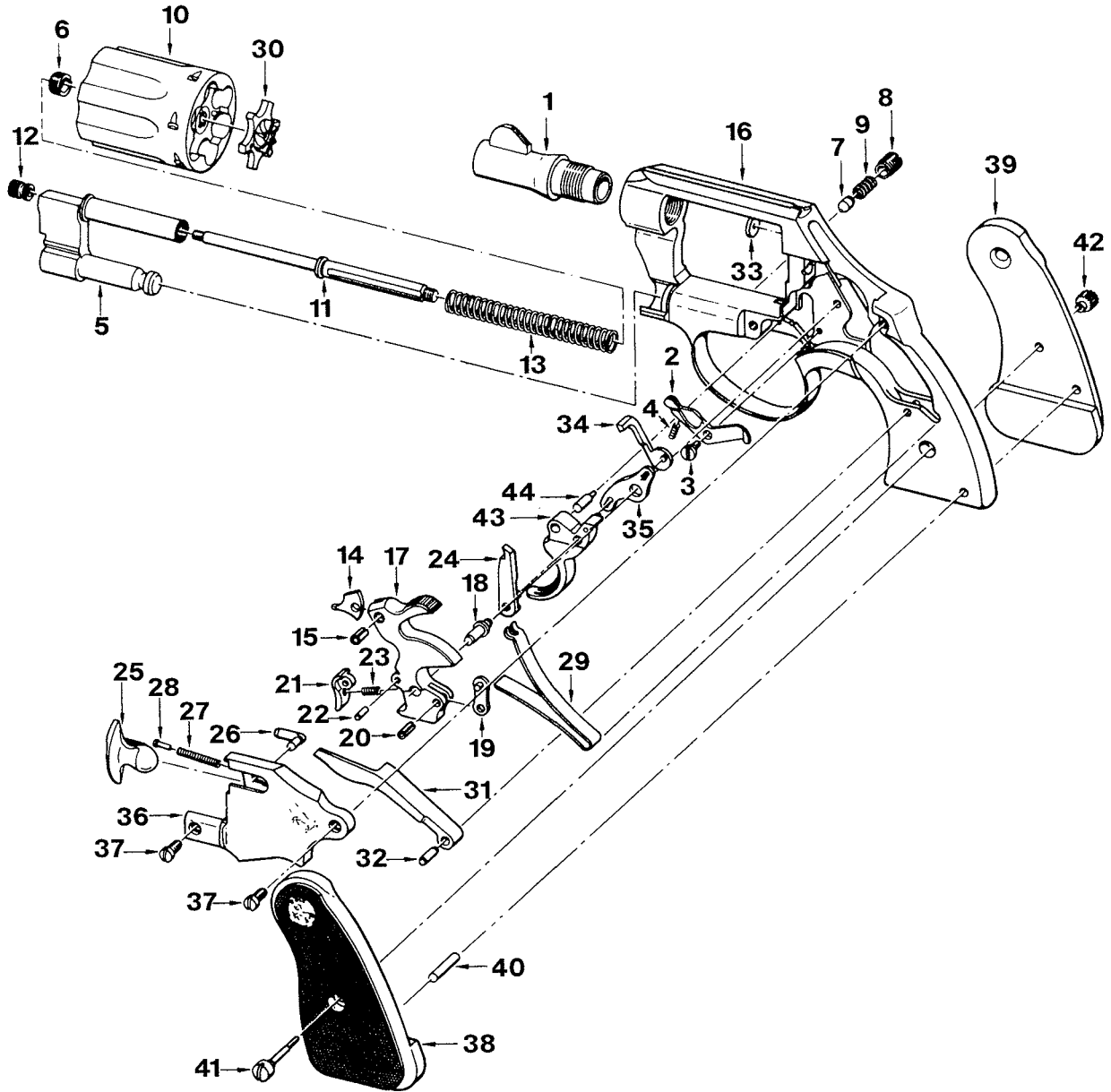
1	Frame	8	Barrel Latch and Ejector Screw	15	Trigger Screw
2	Barrel Screw	9	Barrel Latch and Ejector Spring	16	Trigger Spring (Flat or Coil Type)
3	Barrel Latch Bushing	10	Barrel Latch and Ejector	17	Grip Pin
4	Barrel	11	Hammer	18	Escutcheon
5	Front Sight	12	Hammer Screw	19	Grip Screw
6	Barrel Stop Pin	13	Mainspring	20	Grip
7	Barrel Latch Release Pin	14	Trigger		

Derringer #4



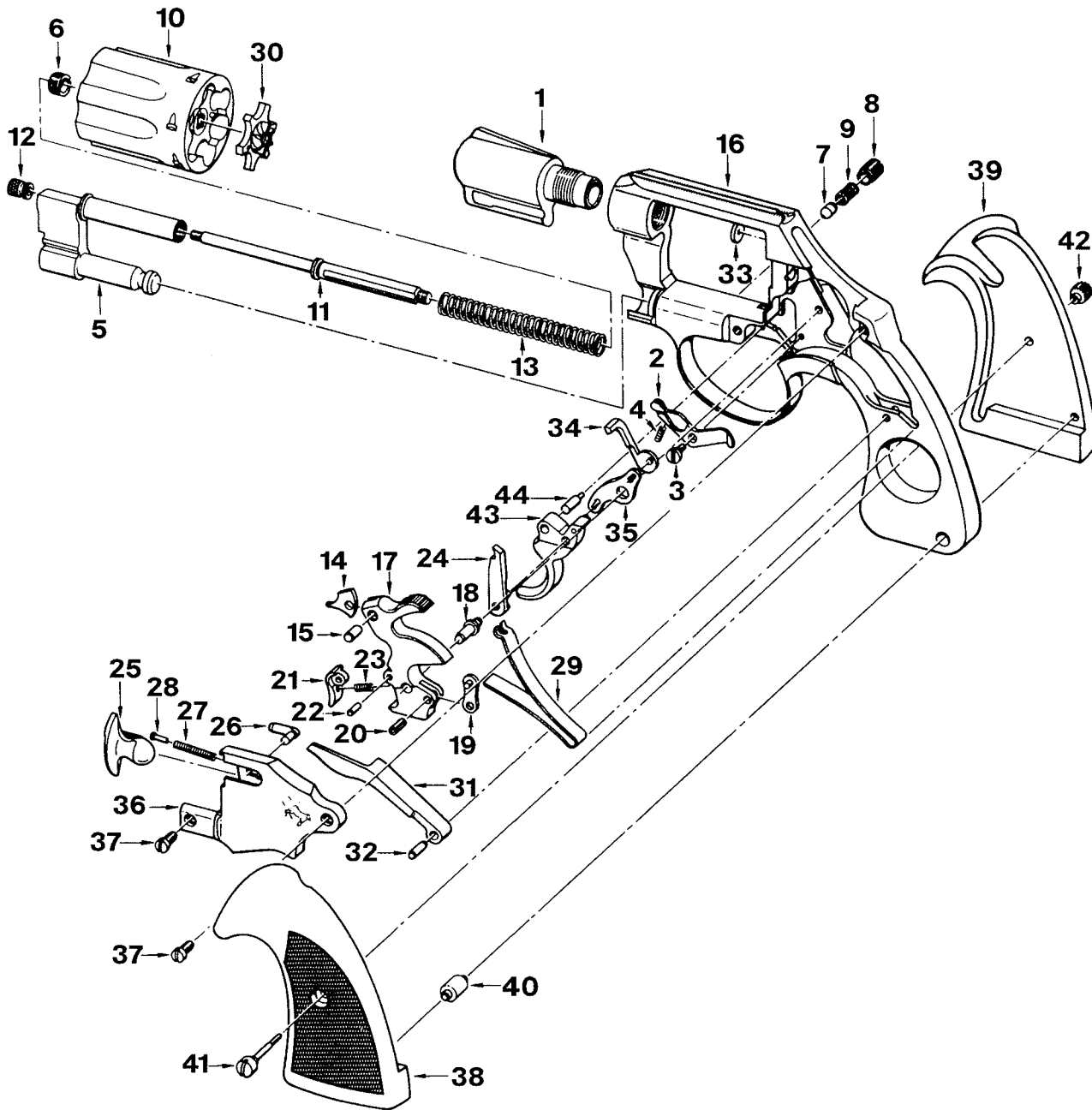
1	Assembly Screw	7	Ejector Spring	13	Stock, Left
2	Barrel	8	Frame	14	Stock Screw
3	Barrel Pivot Screw	9	Hammer	15	Trigger
4	Ejector	10	Hammer Screw	16	Trigger Screw
5	Ejector Retaining Screw	11	Mainspring	17	Trigger Spring
6	Ejector Sear	12	Stock, Right		

Detective Special and Agent (Old Model) Revolver



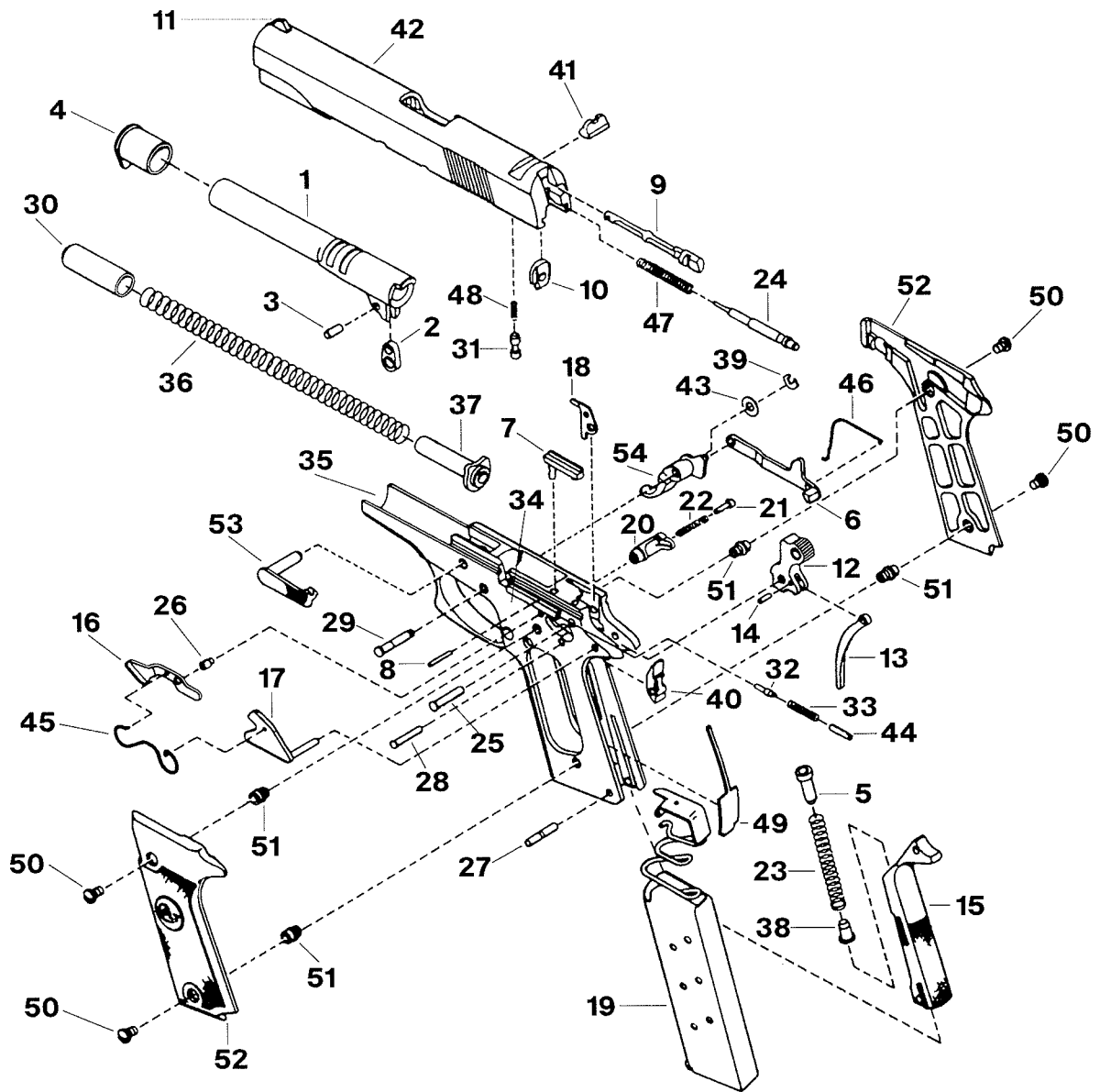
1	Barrel	16	Frame	31	Rebound Lever
2	Bolt	17	Hammer	32	Rebound Lever Pin
3	Bolt Screw	18	Hammer Pin	33	Recoil Cup
4	Bolt Spring	19	Hammer Stirrup	34	Safety
5	Crane	20	Hammer Stirrup Pin	35	Safety-Lever
6	Crane Bushing	21	Hammer Strut	36	Sideplate
7	Crane Detent	22	Hammer Strut Pin	37	Sideplate Screws
8	Spring Retaining Screw	23	Hammer Strut Spring	38	Stock, Left
9	Crane Lock Spring	24	Hand	39	Stock, Right
10	Cylinder	25	Latch	40	Stock Pin
11	Ejector Rod	26	Latch Pin	41	Stock Screw
12	Ejector Rod Head	27	Helical-Compression Spring	42	Stock Screw Nut
13	Ejector Spring	28	Latch Spring Guide	43	Trigger
14	Firing Pin	29	Mainspring	44	Headless Shoulder Pin
15	Roll Pin	30	Ejector Ratchet		

Detective Special, Agent and Cobra (New Model) Revolver



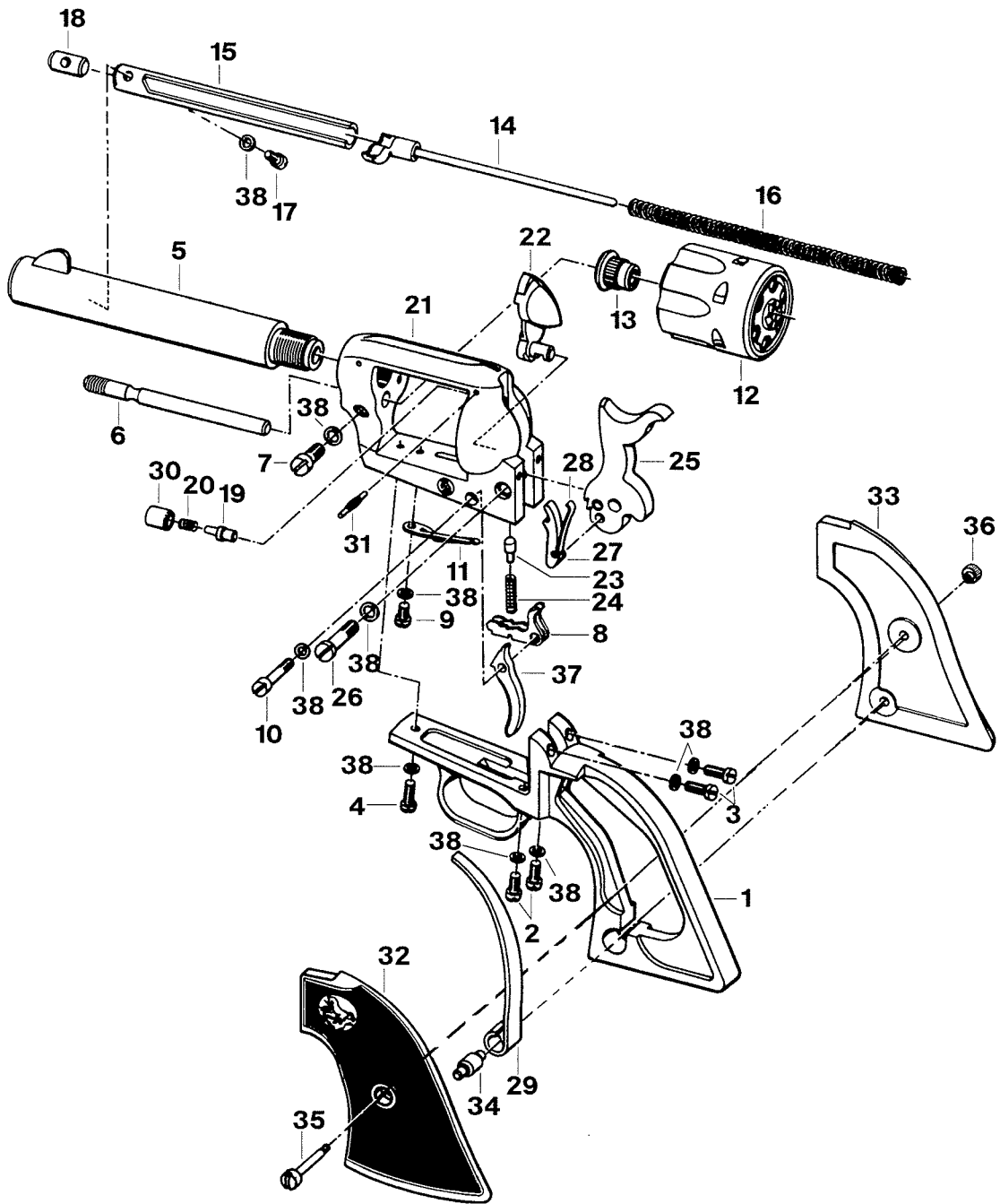
1	Barrel Assembly	16	Frame Assembly	31	Rebound Lever
2	Bolt	17	Hammer Assembly	32	Rebound Lever Pin
3	Bolt Screw	18	Hammer Pin	33	Recoil Plate
4	Bolt Spring	19	Hammer Stirrup	34	Safety Assembly
5	Crane	20	Hammer Stirrup Pin	35	Safety-Lever
6	Crane Bushing	21	Hammer Strut	36	Sideplate
7	Crane Detent	22	Hammer Strut Pin	37	Sideplate Screws
8	Spring Retaining Screw	23	Hammer Strut Spring	38	Stock, Left
9	Crane Lock Spring	24	Hand Detent Assembly	39	Stock, Right
10	Cylinder	25	Latch	40	Stock Pin
11	Ejector Rod	26	Latch Pin	41	Stock Screw
12	Ejector Rod Head	27	Latch Spring	42	Stock Screw Nut
13	Ejector Spring	28	Latch Spring Guide	43	Trigger
14	Firing Pin	29	Mainspring	44	Trigger Pin
15	Firing Pin Rivet	30	Ejector Ratchet		

Double Eagle Auto



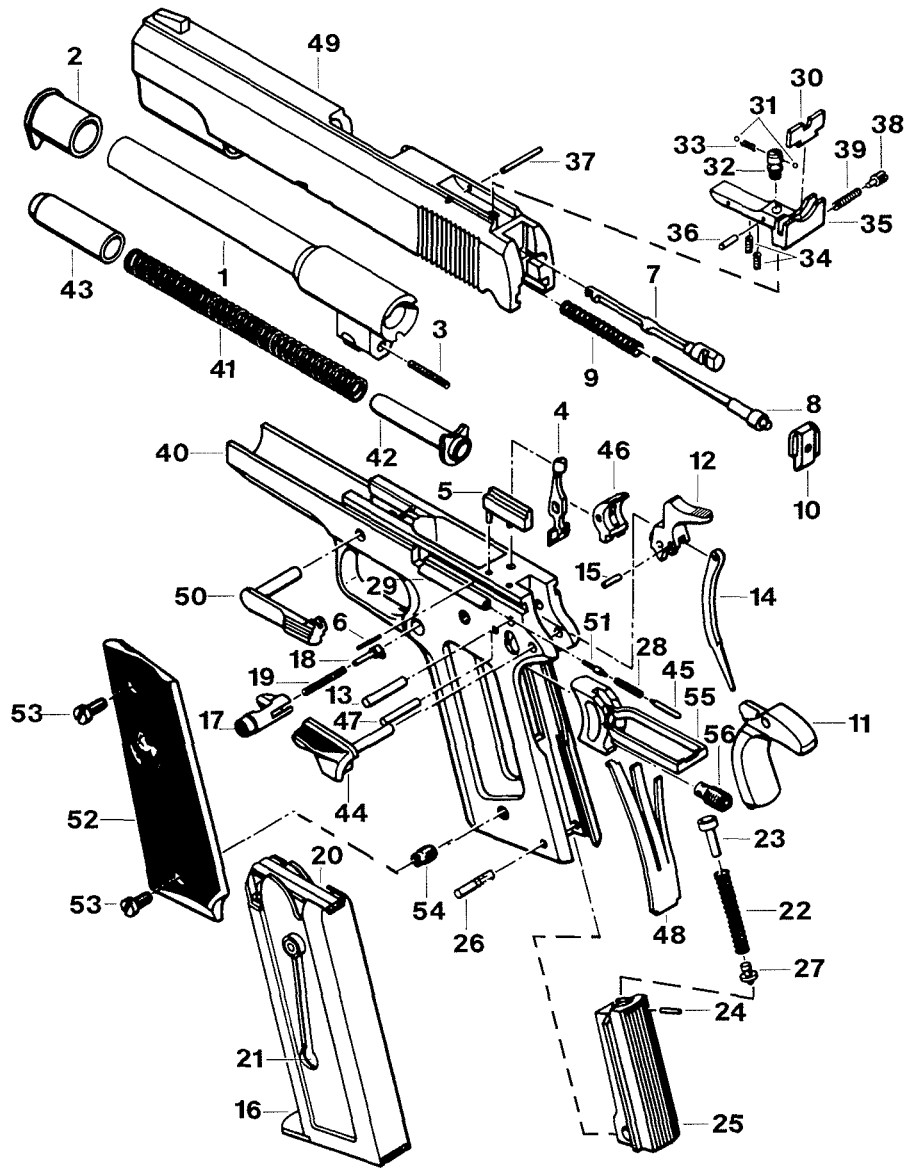
1	Barrel	19	Magazine Assembly	37	Recoil Spring Guide
2	Barrel Link	20	Magazine Catch	38	Pin Retainer
3	Barrel Link Pin	21	Magazine Catch Lock	39	Trigger Retaining Ring
4	Barrel Bushing	22	Magazine Catch/Gate Spring	40	Sear
5	Mainspring Cap	23	Mainspring	41	Rear Sight
6	Drawbar	24	Firing Pin	42	Slide
7	Ejector	25	Hammer Pin	43	Spacer Washer
8	Ejector Pin	26	Decocking Lever Pin	44	Spiral Pin
9	Extractor	27	Mainspring Housing Pin	45	Decocking Spring
10	Firing Pin Stop	28	Sear Pin	46	Drawbar Spring
11	Front Sight	29	Trigger Pin	47	Firing Pin Spring
12	Hammer	30	Recoil Spring Plug	48	Firing Pin Plunger Spring
13	Hammer Strut	31	Firing Pin Plunger	49	Sear Spring
14	Hammer Strut Pin	32	Slide Stop Plunger	50	Stock Screws
15	Mainspring Housing	33	Plunger Spring	51	Stock Screw Bushings
16	Forward Decocking Lever	34	Plunger Tube	52	Stocks
17	Rear Decocking Lever	35	Receiver	53	Slide Stop
18	Plunger Lever	36	Recoil Spring	54	Trigger

Frontier Scout and Buntline Scout Revolver



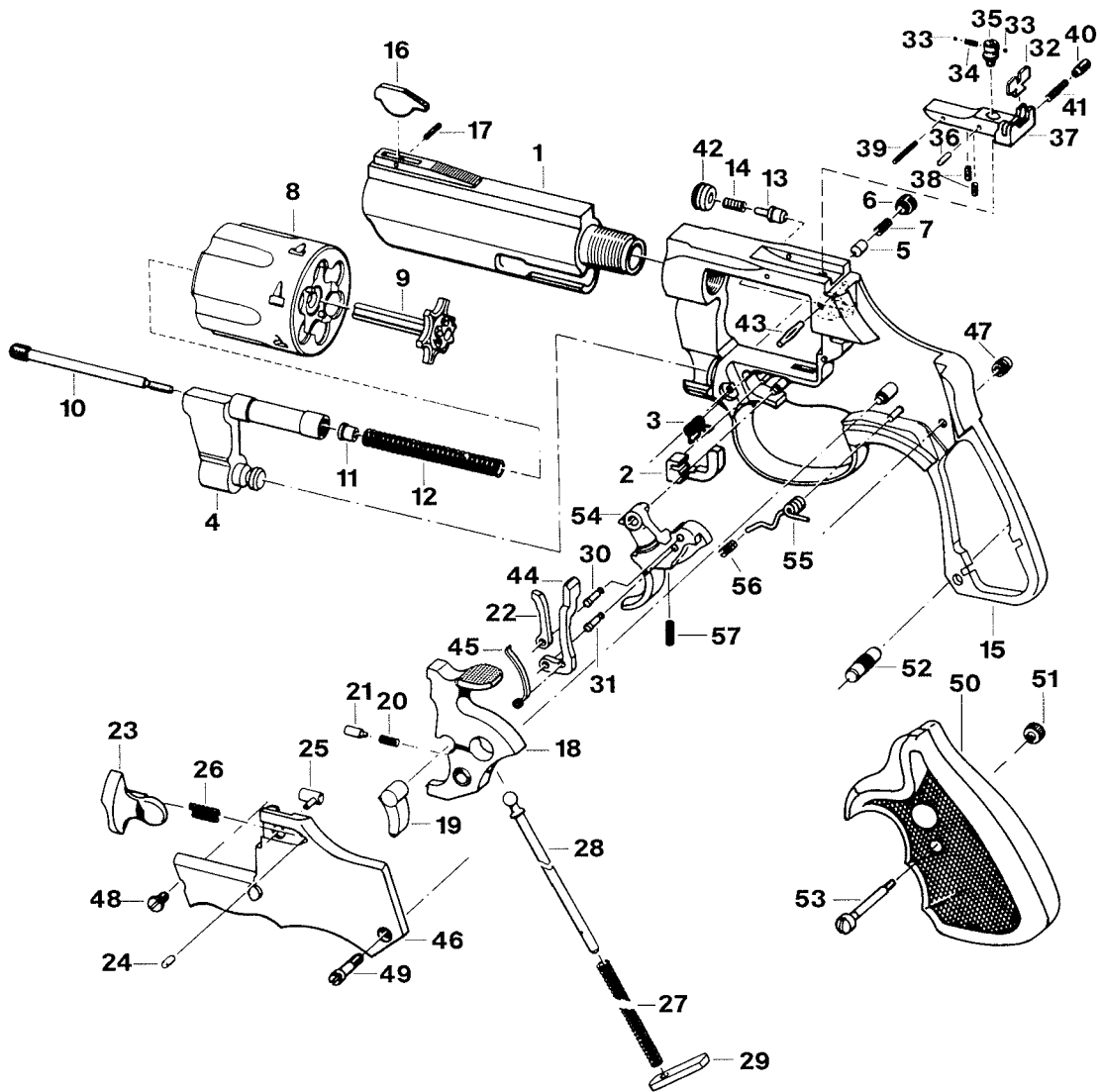
1	Backstrap	14	Ejector Rod	27	Hand and Post Assembly
2	Backstrap Screws, Bottom	15	Ejector Rod Tube	28	Hand Spring
3	Backstrap Screws, Top	16	Ejector Spring	29	Mainspring
4	Backstrap Screw, Front	17	Ejector Tube Screw	30	Recoil Cup
5	Barrel	18	Ejector Tube Plug	31	Recoil Cup Pin
6	Base Pin	19	Firing Pin	32	Stock, Left
7	Base Pin Screw	20	Firing Pin Spring	33	Stock, Right
8	Bolt	21	Frame	34	Stock Pin
9	Bolt Spring Screw	22	Gate	35	Stock Screw
10	Bolt and Trigger Screw	23	Gate Detent	36	Stock Screw Nut
11	Bolt and Trigger Spring	24	Gate Spring	37	Trigger
12	Cylinder	25	Hammer	38	Washer
13	Cylinder Bushing	26	Hammer Screw		

Gold Cup New Model Auto



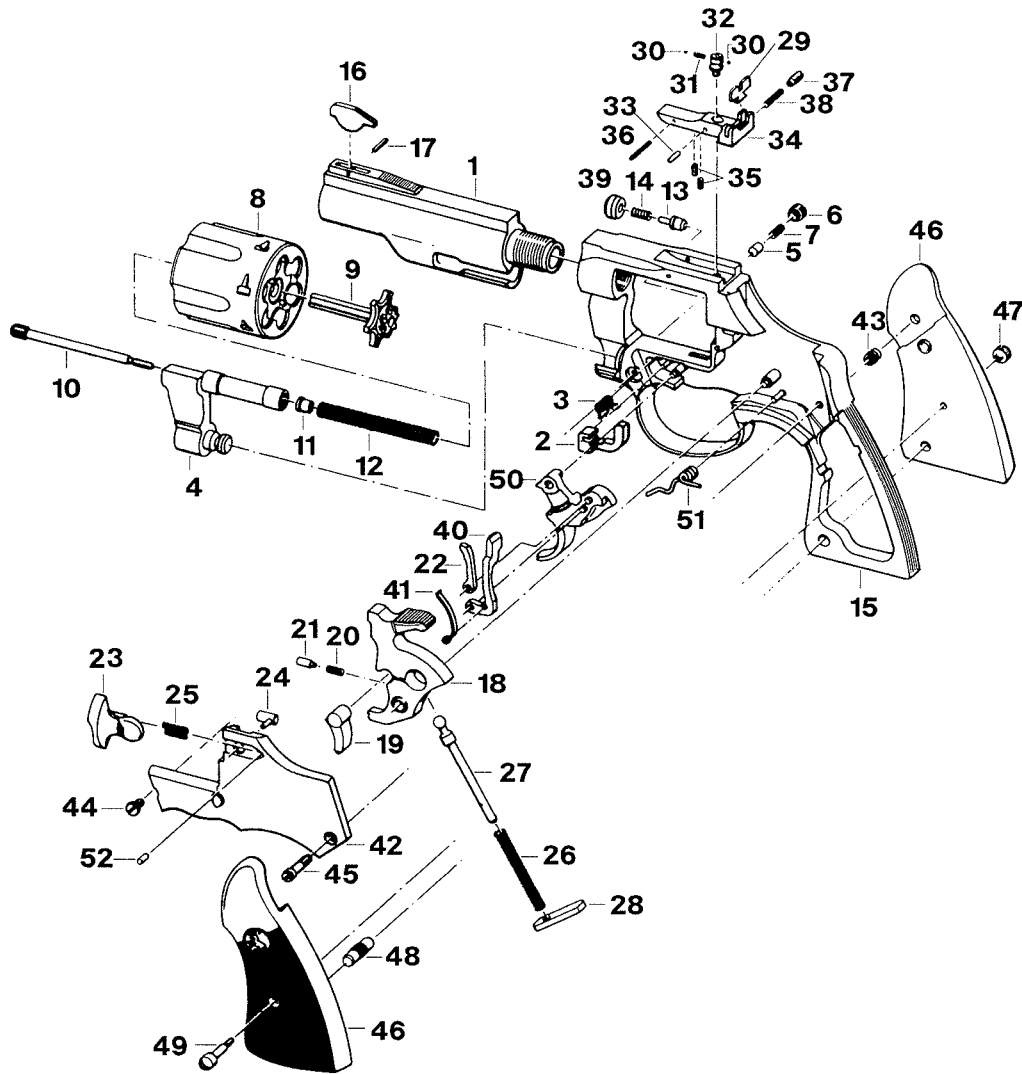
- | | | |
|---------------------------------|---|-------------------------------------|
| 1 Barrel | 20 Magazine Follower Assembly | 38 Rear Sight Windage Screw |
| 2 Barrel Bushing | 21 Magazine Spring Assembly | 39 Rear Sight Windage Spring |
| 3 Barrel Return Spring | 22 Mainspring | 40 Receiver |
| 4 Disconnecter | 23 Mainspring Cap | 41 Recoil Spring |
| 5 Ejector | 24 Mainspring Cap Pin | 42 Recoil Spring Guide |
| 6 Ejector Pin | 25 Mainspring Housing | 43 Recoil Spring Plug |
| 7 Extractor | 26 Mainspring Housing Pin | 44 Safety Lock |
| 8 Firing Pin | 27 Mainspring Housing Pin Retainer | 45 Safety Lock Plunger |
| 9 Firing Pin Spring | 28 Plunger Spring | 46 Sear |
| 10 Firing Pin Stop | 29 Plunger Tube | 47 Sear Pin |
| 11 Grip Safety | 30 Rear Sight Blade | 48 Sear Spring |
| 12 Hammer | 31 Rear Sight Detent Balls | 49 Slide Assembly |
| 13 Hammer Pin | 32 Rear Sight Elevation Screw | 50 Slide Stop |
| 14 Hammer Strut | 33 Rear Sight Detent Spring | 51 Slide Stop Plunger |
| 15 Hammer Strut Pin | 34 Rear Sight Elevation Springs | 52 Stock Assembly |
| 16 Magazine Assembly | 35 Rear Sight Leaf | 53 Stock Screws |
| 17 Magazine Catch | 36 Rear Sight Elevation Screw Pin | 54 Stock Screw Bushing |
| 18 Magazine Catch Lock | 37 Rear Sight Leaf Pin | 55 Trigger Assembly |
| 19 Magazine Catch Spring | | 56 Trigger Stop |

King Cobra Revolver



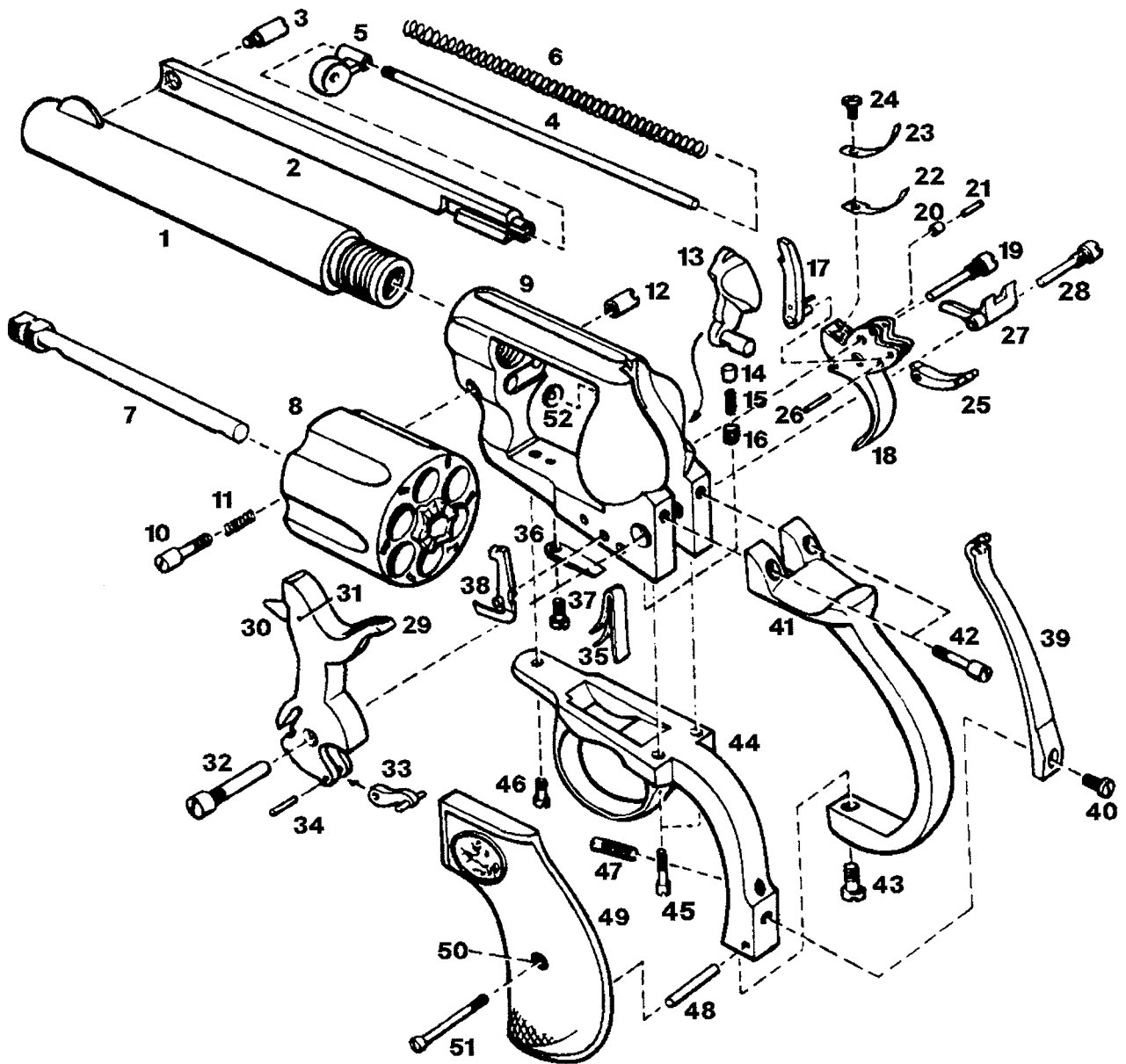
1	Barrel	22	Hand	43	Recoil Plate Pin
2	Bolt	23	Latch	44	Safety Connector
3	Bolt Spring	24	Latch Insert	45	Safety Connector and Hand Spring
4	Crane Assembly	25	Latch Pin Assembly	46	Sideplate
5	Crane Lock Detent	26	Latch Spring	47	Sideplate Nut
6	Crane Lock Screw	27	Mainspring	48	Sideplate Screw
7	Crane Lock Spring	28	Mainspring Guide	49	Sideplate and Stock Screw
8	Cylinder	29	Mainspring Seat	50	Stock Assembly
9	Ejector Ratchet and Stem	30	Hand Pivot Pin	51	Stock Nut
10	Ejector Rod	31	Safety-Lever Pivot Pin	52	Stock Pin
11	Ejector Rod Bushing	32	Rear Sight Blade	53	Stock Screw
12	Ejector Spring	33	Rear Sight Detent Balls	54	Trigger Assembly
13	Firing Pin	34	Rear Sight Detent Spring	55	Trigger Return Spring
14	Firing Pin Spring	35	Rear Sight Elevation Screw	56	Return Spring Guide
15	Frame Detent Assembly	36	Rear Sight Elevation Screw Pin	57	Trigger Screw
16	Front Sight Blade	37	Rear Sight Leaf	Parts Not Shown	
17	Front Sight Blade Pin	38	Rear Sight Leaf Elevation Springs		Bolt Pivot Pin
18	Hammer	39	Rear Sight Leaf Pin		Hammer Pivot Pin
19	Hammer Strut	40	Rear Sight Windage Screw		Pivot Pin Spring
20	Hammer Strut Spring	41	Rear Sight Windage Spring		Trigger Pivot Pin
21	Hammer Strut Spring Guide	42	Recoil Plate		

Lawman Mk. III, Metro Police Mk. III, Official Police Mk. III, Trooper Mk. III and Peacekeeper Revolver



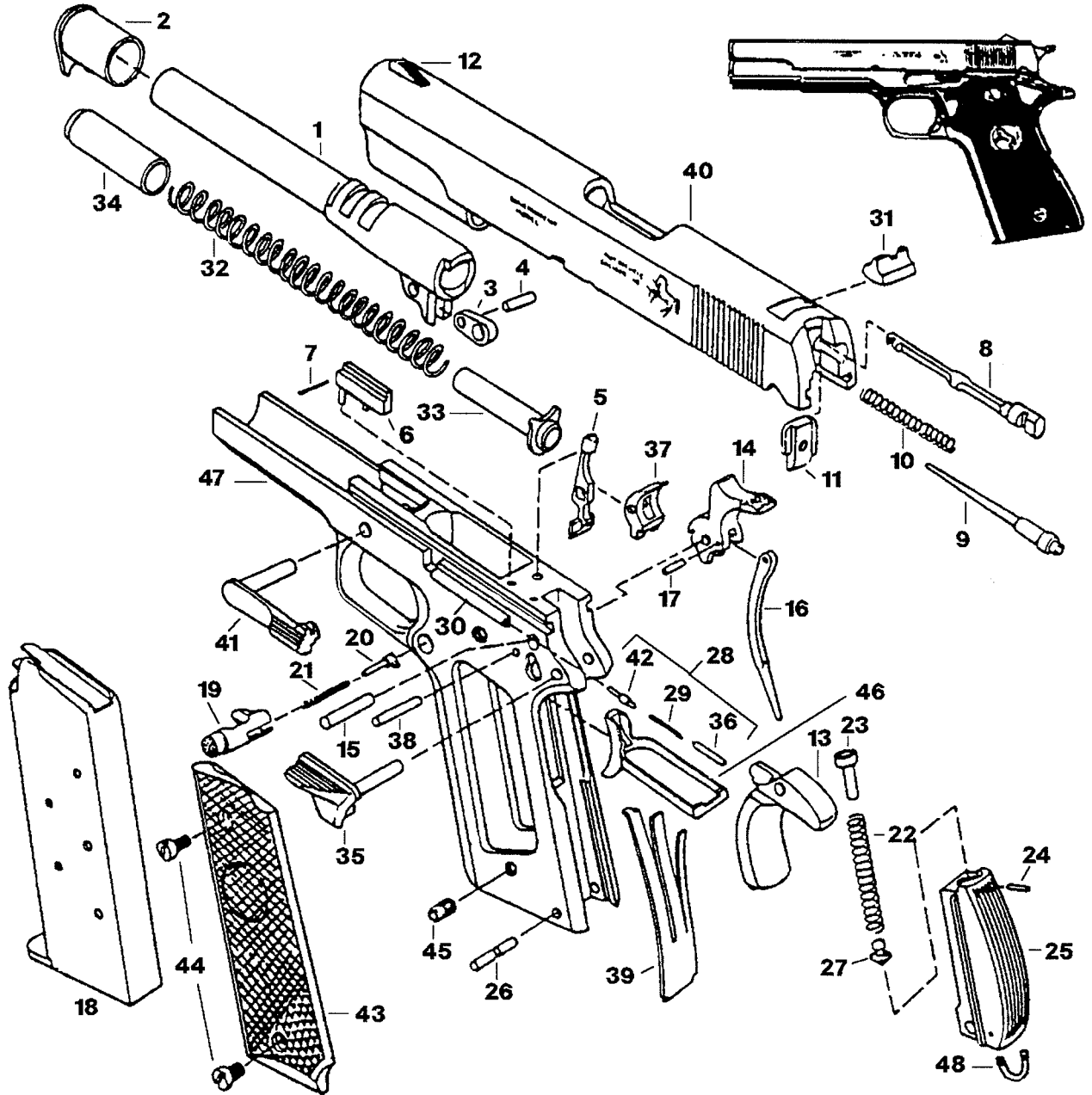
1	Barrel	22	Hand	43	Sideplate Nut
2	Bolt	23	Latch	44	Sideplate Screw
3	Bolt Spring	24	Latch Pin Assembly	45	Sideplate and Stock Screw
4	Crane Assembly	25	Latch Spring	46	Grips
5	Crane Lock Detent	26	Mainspring	47	Stock Nut
6	Crane Lock Screw	27	Mainspring Guide	48	Stock Pin
7	Crane Lock Spring	28	Mainspring Seat	49	Stock Screw
8	Cylinder	29	Rear Sight Blade	50	Trigger Assembly
9	Ejector Ratchet and Stem	30	Rear Sight Detent Balls	51	Trigger Return Spring
10	Ejector Rod	31	Rear Sight Detent Spring	52	Latch Insert
11	Ejector Rod Bushing	32	Rear Sight Elevation Screw	Parts Not Shown	
12	Ejector Spring	33	Rear Sight Elevation Screw Pin		Bolt Pivot Pin
13	Firing Pin	34	Rear Sight Leaf		Hammer Pivot Pin
14	Firing Pin Spring	35	Rear Sight Leaf Elevation Springs		Pivot Pin
15	Frame	36	Rear Sight Leaf Pin		Pivot Pin Spring
16	Front Sight Blade	37	Rear Sight Windage Screw		Recoil Plate Pin
17	Front Sight Blade Pin	38	Rear Sight Windage Spring		Trigger Pivot Pin
18	Hammer	39	Recoil Plate		Trigger Screw
19	Hammer Strut	40	Safety Connector		
20	Hammer Strut Spring	41	Safety Connector and Hand Spring		
21	Hammer Strut Spring Guide	42	Sideplate		

Lightning Revolver



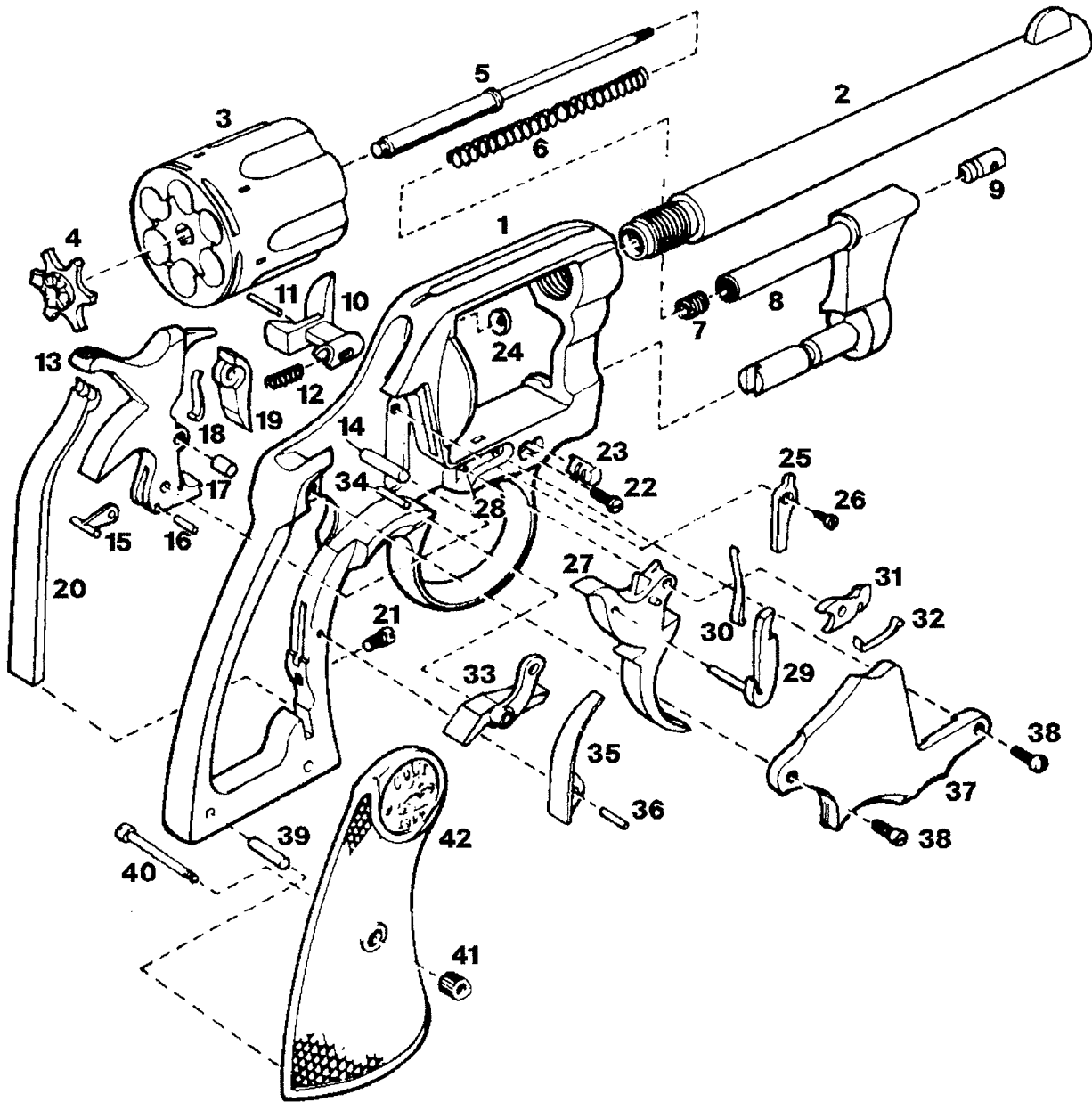
1	Barrel	19	Trigger Screw	37	Trigger Spring Screw
2	Ejector Housing	20	Trigger Roll	38	Cylinder Stop
3	Ejector Housing Screw	21	Trigger Roll Pin	39	Mainspring
4	Ejector Rod	22	Trigger Strut Spring	40	Mainspring Screw
5	Ejector Rod Head	23	Hand Spring	41	Backstrap
6	Ejector Spring	24	Hand and Strut Spring Screw	42	Backstrap Screws
7	Cylinder Pin	25	Trigger Strut	43	Butt Screw
8	Cylinder	26	Trigger Strut Pin	44	Trigger Guard
9	Frame	27	Sear	45	Rear Trigger Guard Screws
10	Cylinder Pin Lock Screw	28	Sear Screw	46	Front Trigger Guard Screw
11	Cylinder Pin Lock Screw Spring	29	Hammer	47	Mainspring Tension Screw
12	Cylinder Pin Lock Nut	30	Firing Pin	48	Grip Pin
13	Loading Gate	31	Firing Pin Rivet	49	Grip, Rubber
14	Loading Gate Catch	32	Hammer Screw	50	Escutcheon
15	Loading Gate Catch Spring	33	Stirrup	51	Grip Screw
16	Loading Gate Catch Screw	34	Stirrup Pin	52	Recoil Plate
17	Hand	35	Hand and Cylinder Stop Tension Spring		
18	Trigger	36	Trigger Spring		

Model 1911-1911A1 Auto



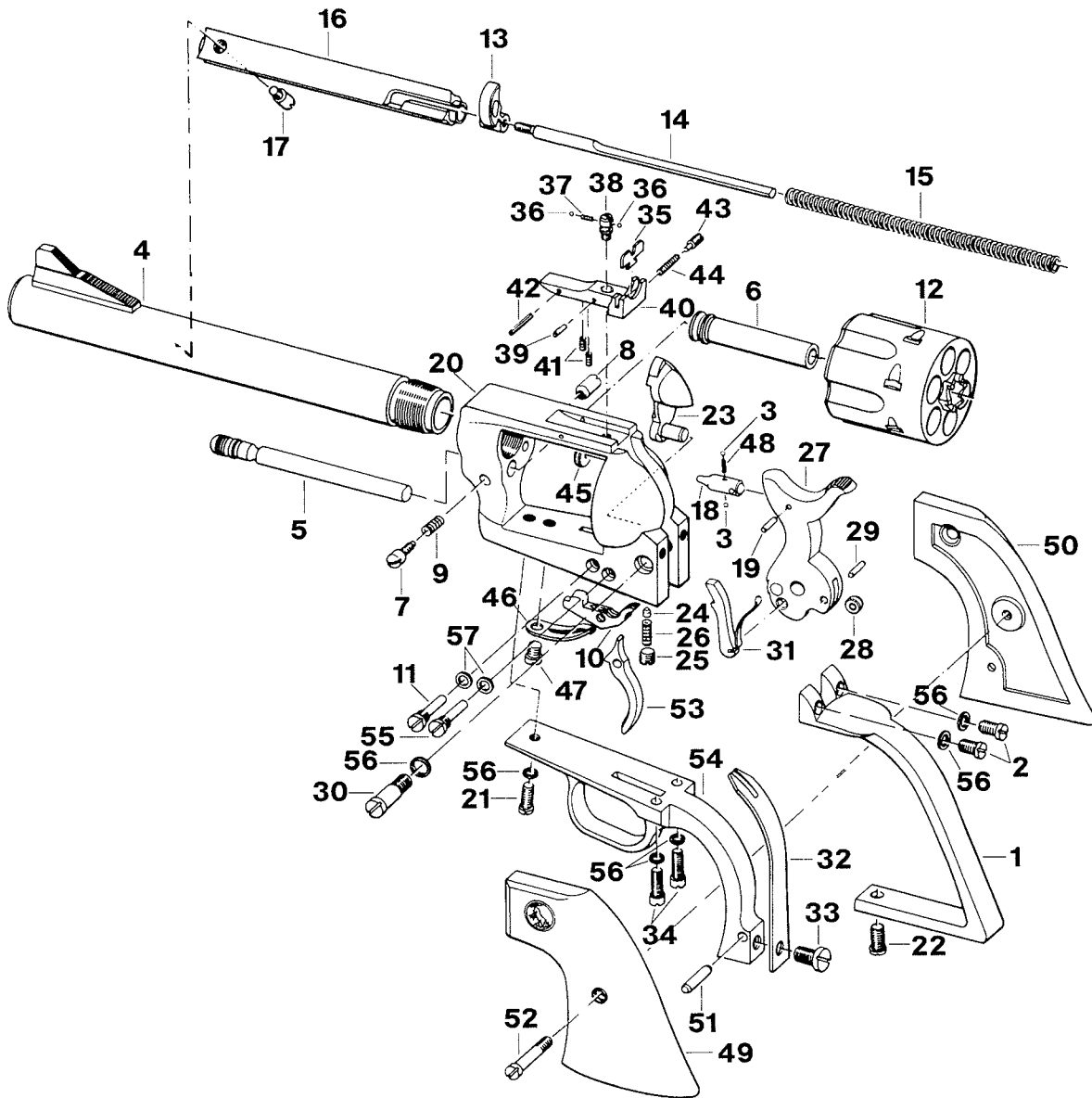
1	Barrel	17	Hammer Strut Pin	33	Recoil Spring Guide
2	Barrel Bushing	18	Magazine Assembly	34	Recoil Spring Plug
3	Barrel Link	19	Magazine Catch	35	Safety Lock
4	Barrel Link Pin	20	Magazine Catch Lock	36	Safety Lock Plunger
5	Disconnecter	21	Magazine Catch Spring	37	Sear
6	Ejector	22	Mainspring	38	Sear/Disconnecter Pin
7	Ejector Pin	23	Mainspring Cap	39	Sear Spring
8	Extractor	24	Mainspring Cap Pin	40	Slide
9	Firing Pin	25	Mainspring Housing	41	Slide Stop
10	Firing Pin Spring	26	Mainspring Housing Pin	42	Slide Stop Plunger
11	Firing Pin Stop	27	Mainspring Housing Pin Retainer	43	Stock Assembly
12	Front Sight	28	Plunger Spring Assembly	44	Stock Screws
13	Grip Safety	29	Plunger Spring	45	Stock Screw Bushing
14	Hammer	30	Plunger Tube	46	Trigger
15	Hammer Pin	31	Rear Sight	47	Frame
16	Hammer Strut	32	Recoil Spring	48	Lanyard Loop

New Army and New Navy Revolver



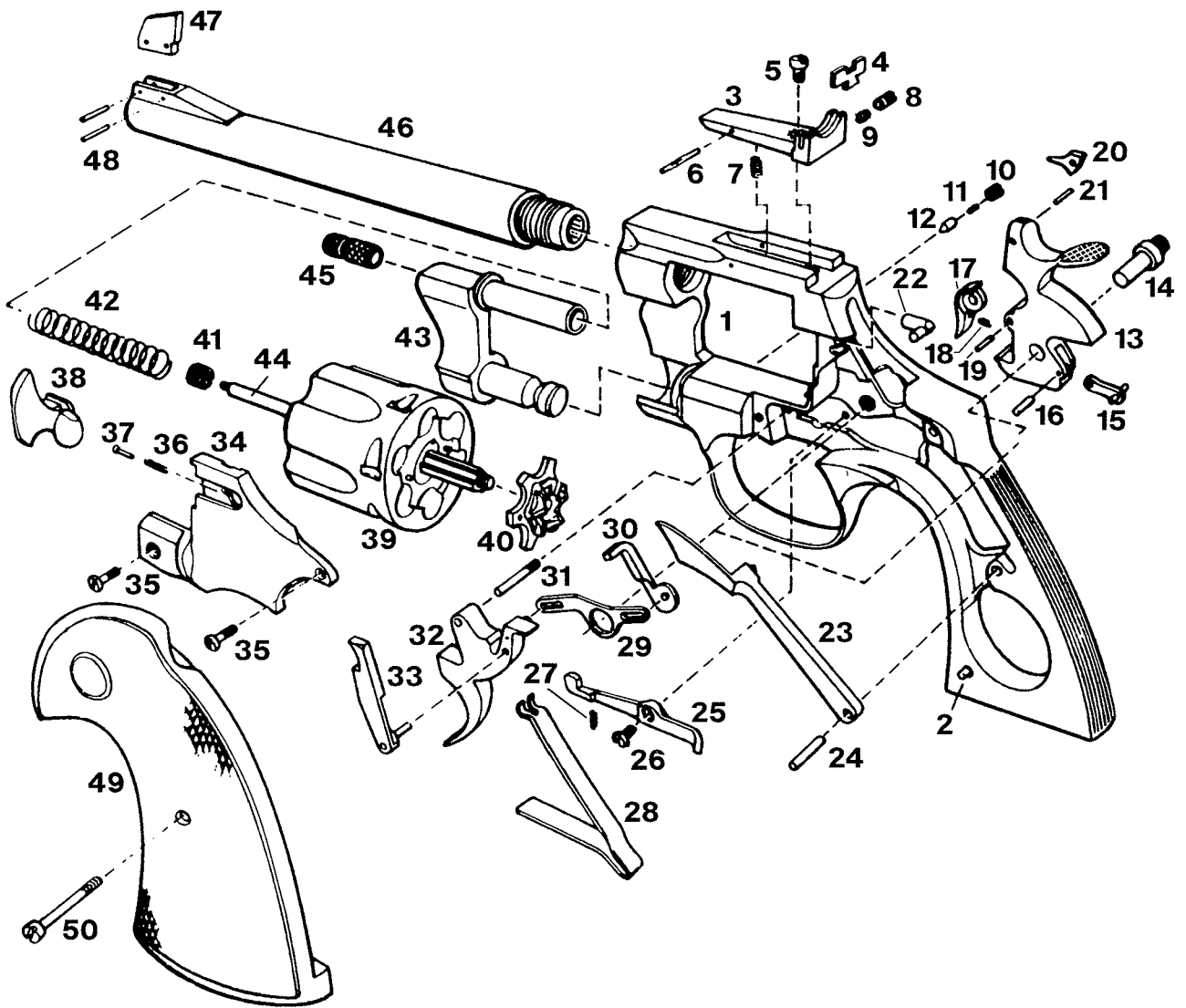
1	Frame	15	Hammer Stirrup	29	Cylinder Hand
2	Barrel	16	Hammer Stirrup Pin	30	Cylinder Hand Spring
3	Cylinder	17	Hammer Strut Spring Roller	31	Cylinder Stop
4	Ejector Ratchet	18	Hammer Strut Spring	32	Cylinder Stop Spring
5	Ejector Rod	19	Hammer Strut	33	Rebound Lever
6	Ejector Rod Spring	20	Mainspring	34	Rebound Lever Pin
7	Crane Bushing	21	Mainspring Tension Screw	35	Rebound Lever Spring
8	Crane	22	Crane Lock Screw	36	Rebound Lever Spring Pin
9	Ejector Rod Head	23	Crane Lock	37	Sideplate
10	Cylinder Latch	24	Firing Pin Bushing	38	Sideplate Screws
11	Cylinder Latch Retaining Pin	25	Locking Lever	39	Grip Locator Pin
12	Cylinder Latch Spring	26	Locking Lever Screw	40	Grip Screw
13	Hammer	27	Trigger	41	Grip Screw Bushing
14	Hammer Pin	28	Trigger Axis Pin	42	Grip

New Frontier SAA Revolver



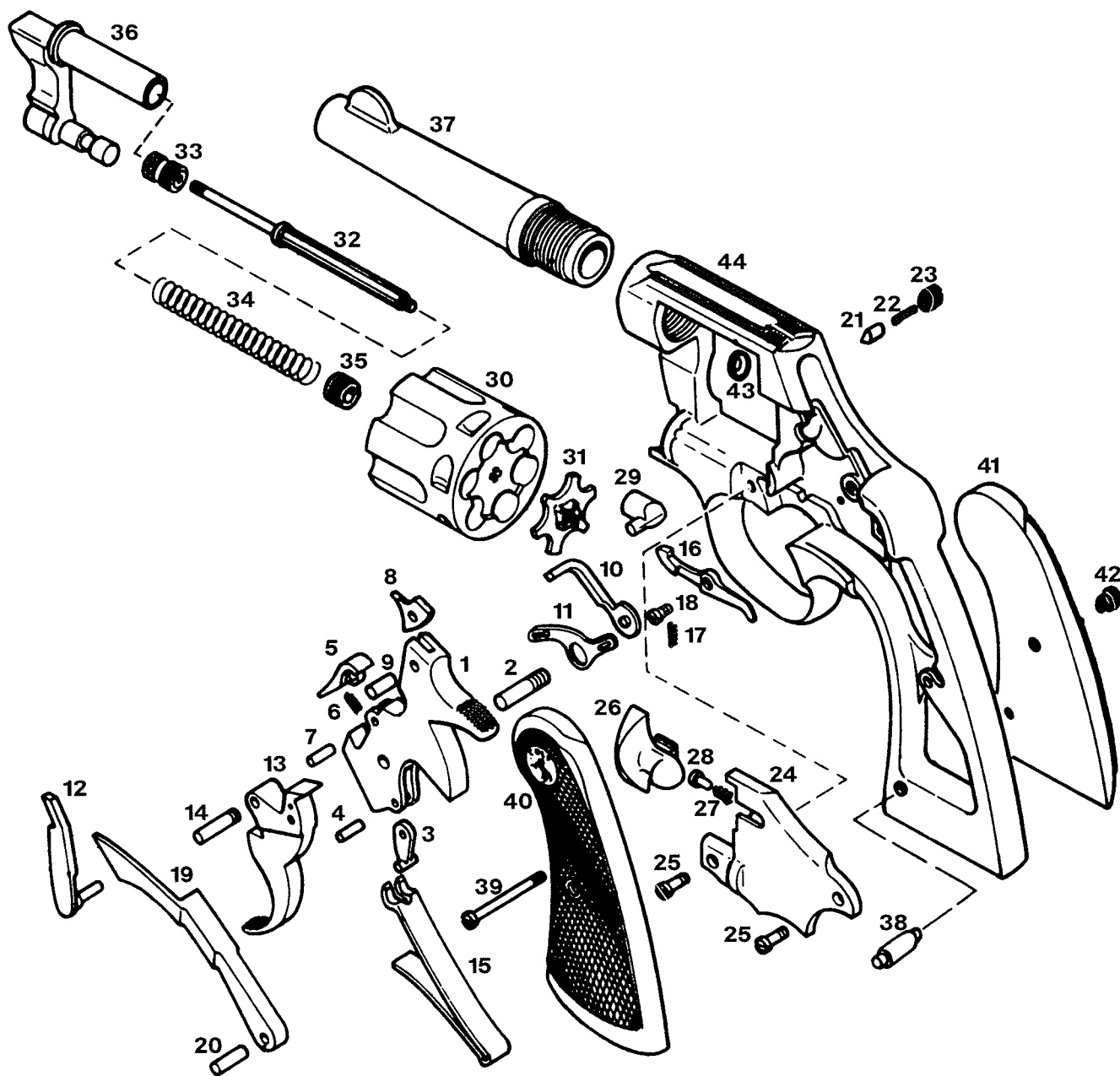
1	Backstrap	20	Frame	39	Rear Sight Elevation Screw Pin
2	Backstrap Screws	21	Front Guard Screw	40	Rear Sight Leaf
3	Balls	22	Frontstrap Screw	41	Rear Sight Leaf Elevation Springs
4	Barrel	23	Gate	42	Rear Sight Leaf Pin
5	Base Pin	24	Gate Catch	43	Rear Sight Windage Screw
6	Base Pin Bushing	25	Gate Catch Screw	44	Rear Sight Windage Spring
7	Base Pin Screw	26	Gate Spring	45	Recoil Plate
8	Base Pin Screw Nut	27	Hammer Assembly	46	Sear and Bolt Spring
9	Base Pin Spring	28	Hammer Roll	47	Sear and Bolt Spring Screw
10	Bolt	29	Hammer Roll Pin	48	Spring
11	Bolt Screw	30	Hammer Screw	49	Left Grip
12	Cylinder	31	Hand	50	Right Grip
13	Ejector Head	32	Mainspring	51	Stock Pin
14	Ejector Rod	33	Mainspring Screw	52	Stock Screw
15	Ejector Spring	34	Rear Guard Screws	53	Trigger
16	Ejector Tube	35	Rear Sight Blade	54	Trigger Guard
17	Ejector Tube Screw	36	Rear Sight Detent Balls	55	Trigger Screw
18	Firing Pin	37	Rear Sight Detent Spring	56	Washers
19	Firing Pin Rivet	38	Rear Sight Elevation Screw		

Officer's Model Match Revolver



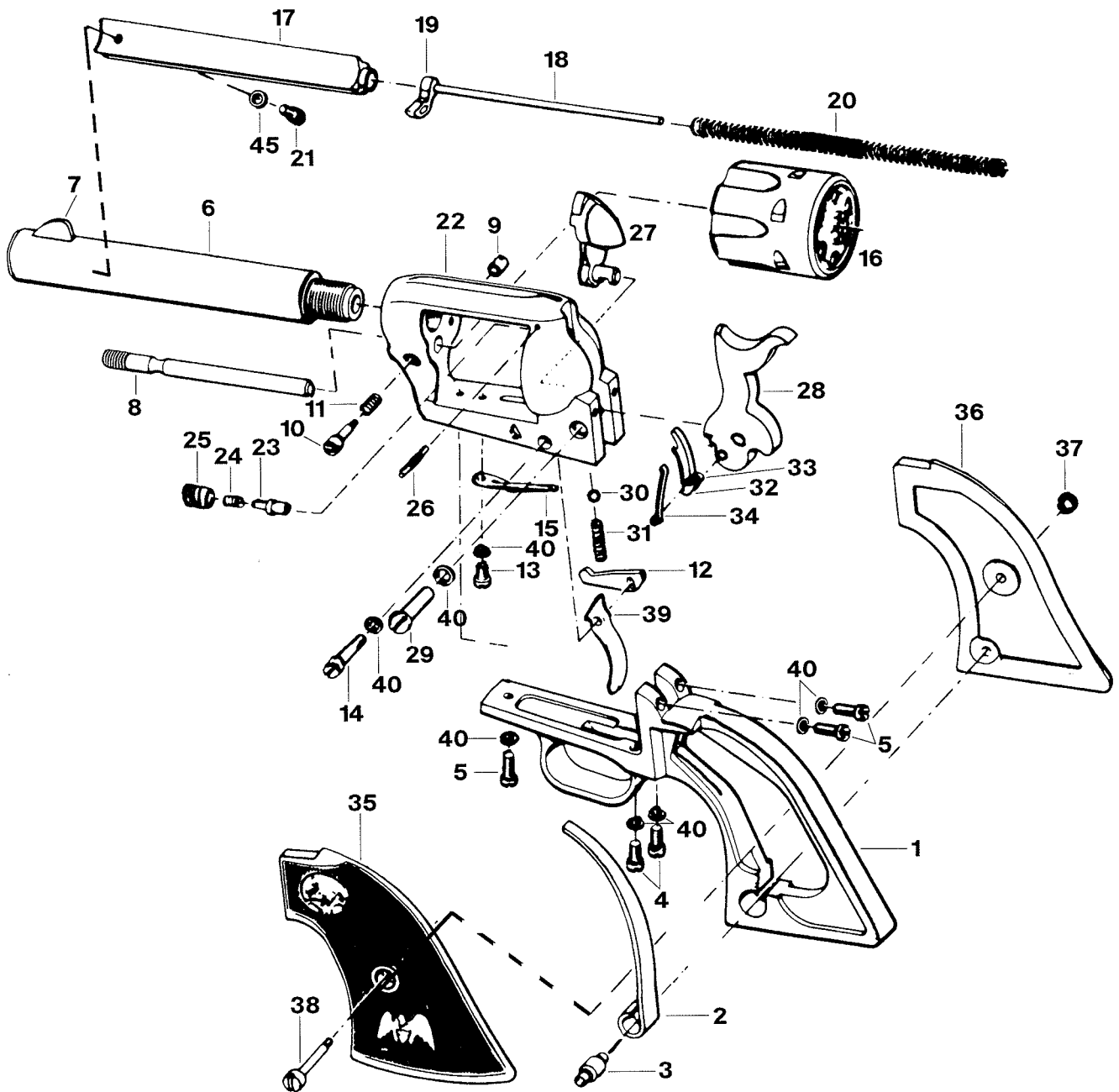
1	Frame	18	Strut Spring	35	Sideplate Screws
2	Stock Pin	19	Strut Pin	36	Latch Spring
3	Rear Sight Leaf	20	Firing Pin	37	Latch Spring Guide
4	Rear Sight Blade	21	Firing Pin Rivet	38	Latch
5	Rear Sight Elevation Screw	22	Latch Pin	39	Cylinder
6	Rear Sight Elevation Pin	23	Rebound Lever	40	Ratchet
7	Rear Sight Elevation Spring	24	Rebound Lever Pin	41	Crane Bushing
8	Rear Sight Windage Screw	25	Bolt	42	Ejector Spring
9	Rear Sight Windage Spring	26	Bolt Screw	43	Crane
10	Crane Lock Screw	27	Bolt Spring	44	Ejector Rod
11	Crane Lock Spring	28	Mainspring	45	Ejector Rod Head
12	Crane Lock Detent	29	Safety-Lever	46	Barrel
13	Hammer	30	Safety	47	Front Sight Blade
14	Hammer Pin	31	Trigger Pin	48	Front Sight Pins
15	Hammer Stirrup	32	Trigger	49	Stock
16	Hammer Stirrup Pin	33	Hand	50	Stock Screw
17	Strut	34	Sideplate		

Official Police Revolver



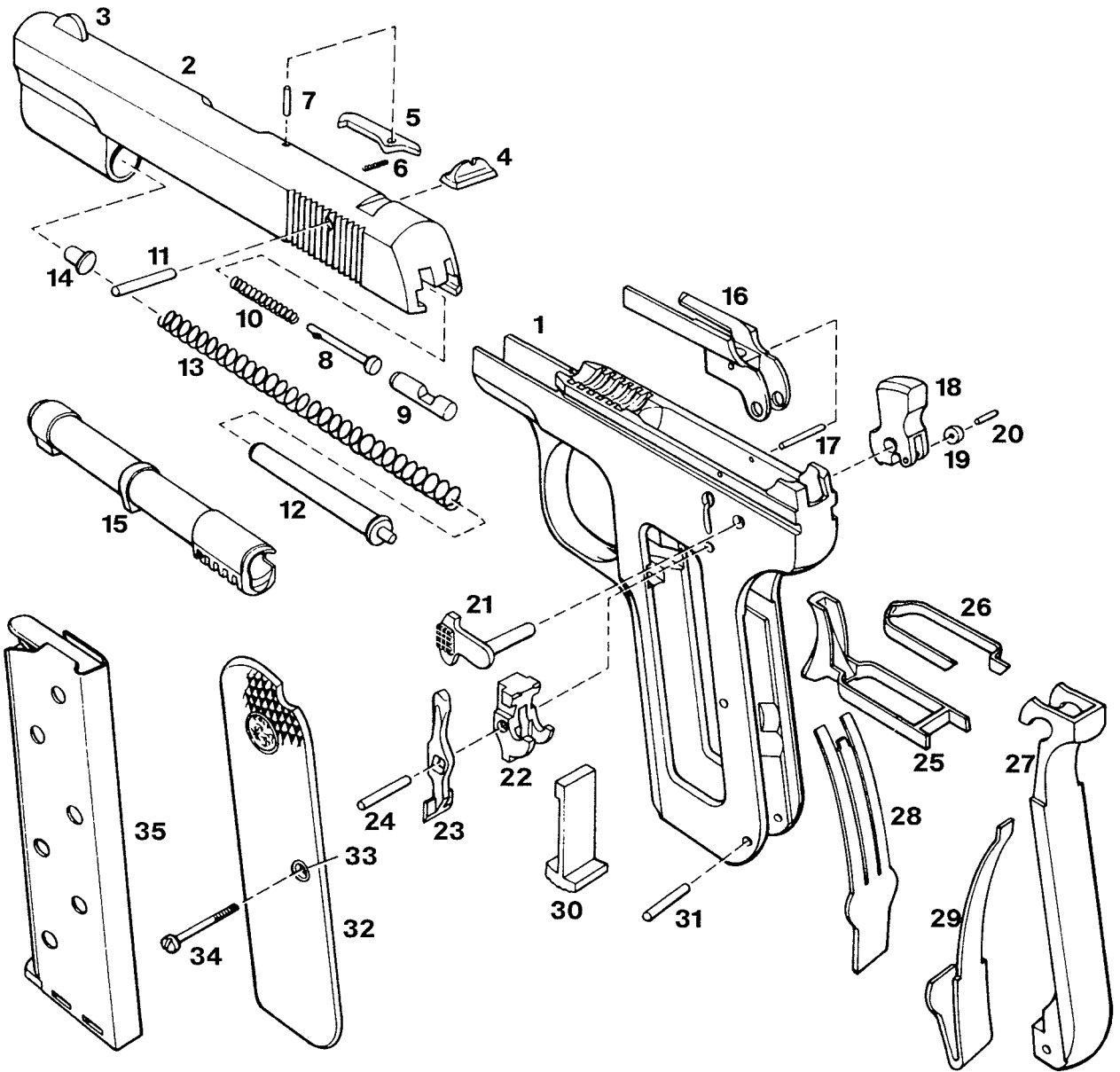
1	Hammer	17	Bolt Spring	33	Ejector Rod Head
2	Hammer Pin	18	Bolt Screw	34	Ejector Spring
3	Hammer Stirrup	19	Rebound Lever	35	Crane Bushing
4	Hammer Stirrup Pin	20	Rebound Lever Pin	36	Crane
5	Strut	21	Crane Lock Detent	37	Barrel
6	Strut Spring	22	Crane Lock Spring	38	Stock Pin
7	Strut Pin	23	Crane Lock Screw	39	Stock Screw
8	Firing Pin	24	Sideplate	40	Stock, Left
9	Firing Pin Rivet	25	Sideplate Screws	41	Stock, Right
10	Safety	26	Latch	42	Stock Screw Nut
11	Safety-Lever	27	Latch Spring	43	Recoil Plate
12	Hand	28	Latch Spring Guide	44	Frame
13	Trigger	29	Latch Pin	Parts Not Shown	
14	Trigger Pin	30	Cylinder		Cylinder Bushing
15	Mainspring	31	Ratchet		Cylinder Bushing Pin
16	Bolt	32	Ejector Rod		

Peacemaker, Peacemaker Buntline, New Frontier and New Frontier Buntline Revolver



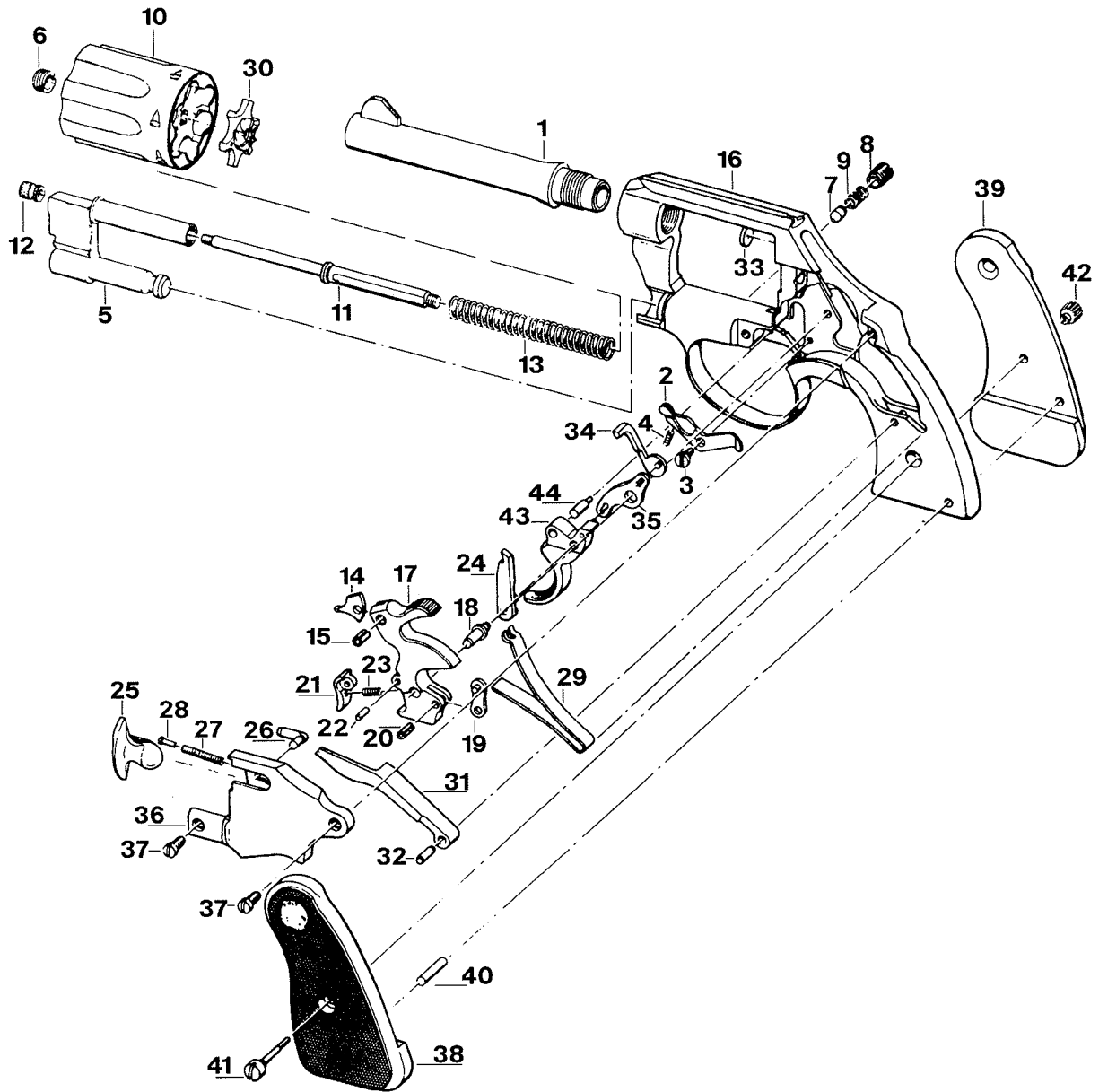
1	Backstrap	15	Bolt and Trigger Spring	29	Hammer Screw
2	Mainspring	16	Cylinder	30	Gate Detent
3	Stock Pin	17	Ejector Tube	31	Gate Detent Spring
4	Backstrap Screws, Bottom	18	Ejector Rod	32	Hand
5	Backstrap Screws, Front and Top	19	Ejector Rod Head	33	Hand Post
6	Barrel	20	Ejector Spring	34	Hand Spring
7	Front Sight	21	Ejector Tube Screw	35	Stock, Left
8	Base Pin	22	Frame	36	Stock, Right
9	Base Pin Lock Nut	23	Firing Pin	37	Stock Nut
10	Base Pin Lock Screw	24	Firing Pin Spring	38	Stock Screw
11	Base Pin Lock Spring	25	Recoil Plate	39	Trigger
12	Bolt	26	Recoil Plate Pin	40	Washers
13	Bolt Spring Screw	27	Gate		
14	Bolt and Trigger Screw	28	Hammer		

Pocket Auto



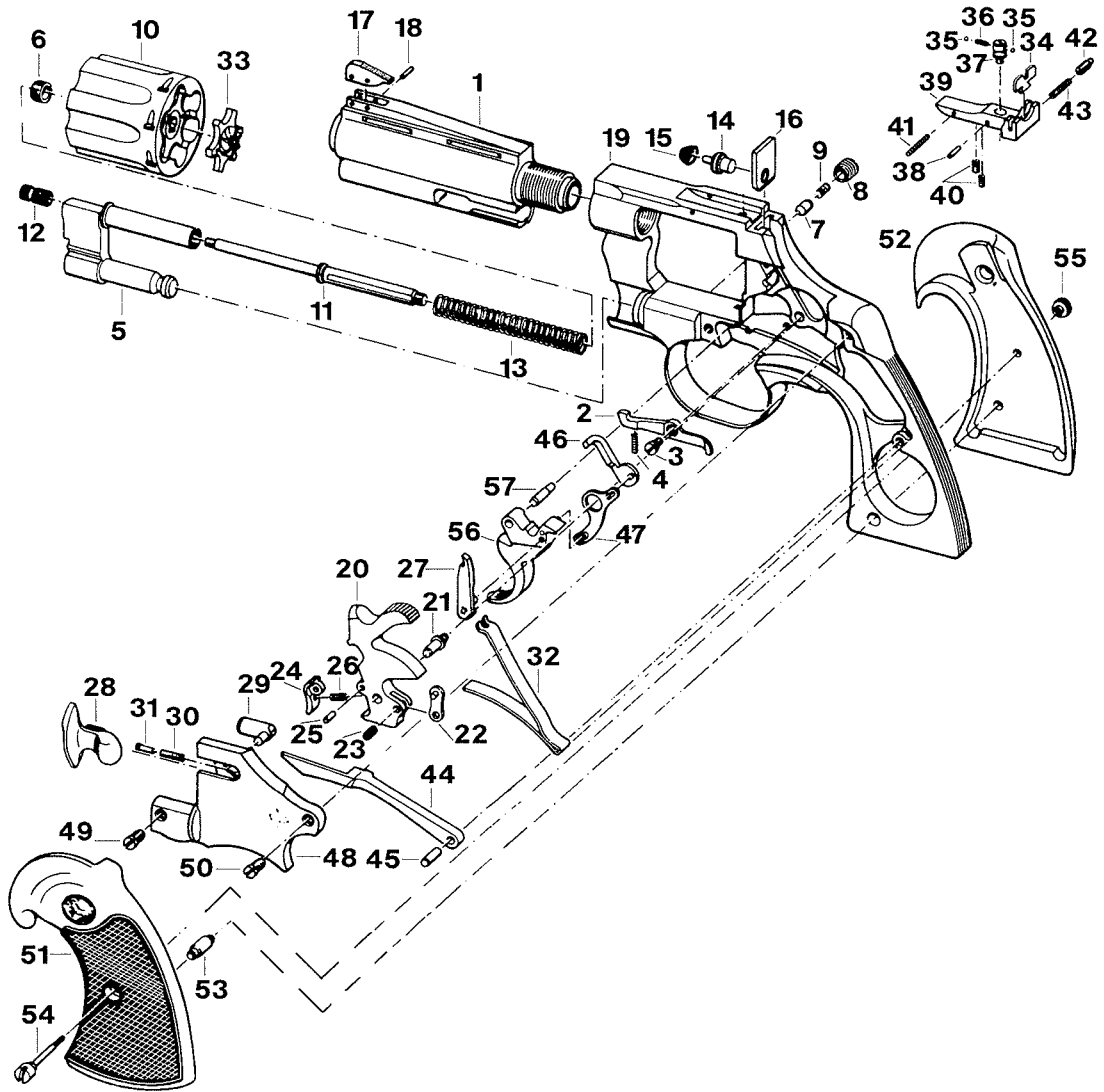
1	Frame	19	Hammer Roll
2	Slide	20	Hammer Roll Pin
3	Front Sight	21	Slide Lock Safety
4	Rear Sight	22	Sear
5	Extractor	23	Disconnecter
6	Extractor Spring	24	Sear Pin
7	Extractor Pin	25	Trigger
8	Front Firing Pin	26	Depressor
9	Rear Firing Pin	27	Grip Safety
10	Firing Pin Spring	28	Sear Spring
11	Firing Pin Lock	29	Mainspring
12	Recoil Spring Guide	30	Magazine Catch
13	Recoil Spring	31	Grip Safety Pin
14	Plug	32	Grip
15	Barrel	33	Escutcheon
16	Ejector	34	Grip Screw
17	Ejector Pin	35	Magazine
18	Hammer		

Police Positive Special Revolver



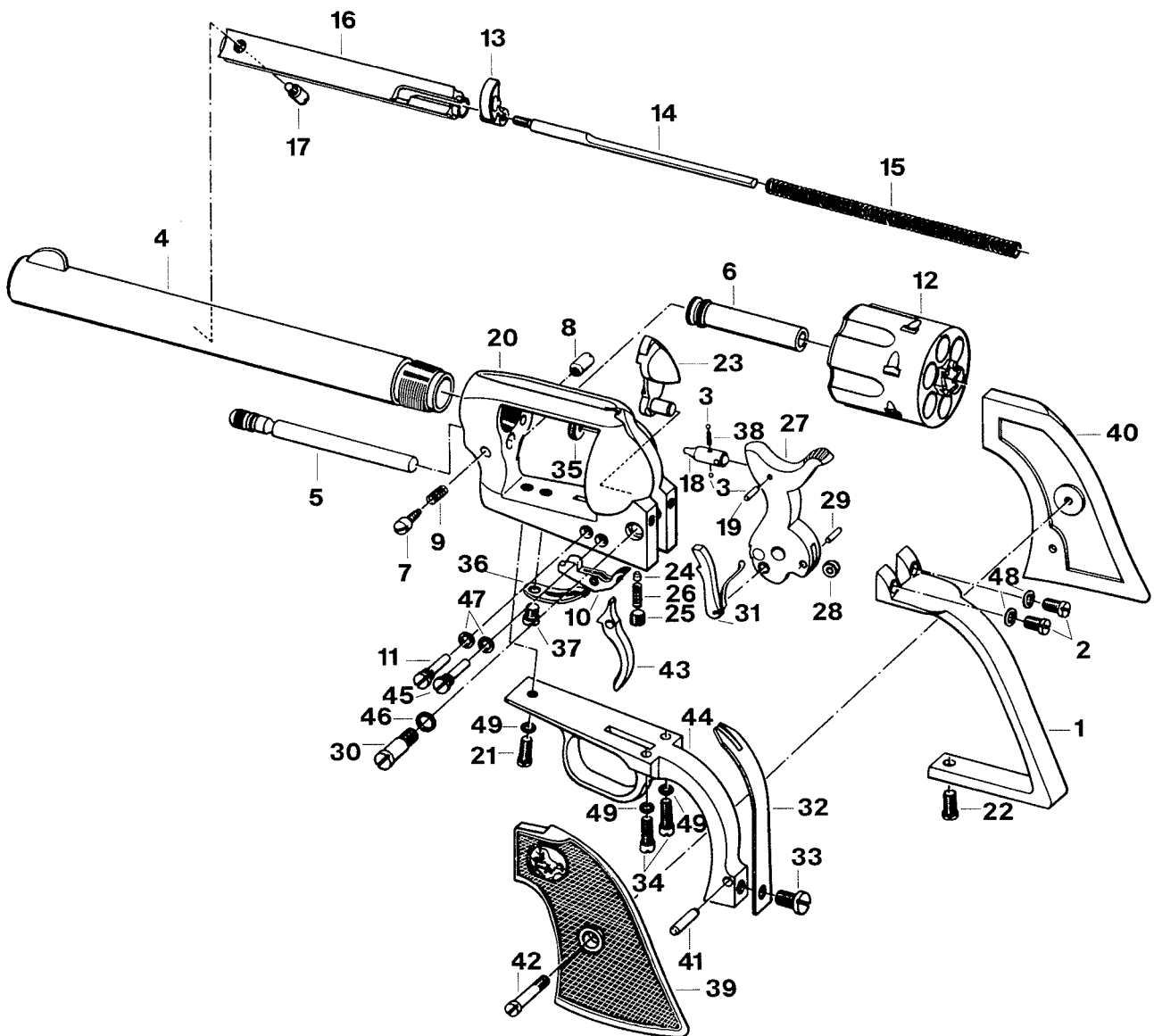
1 Barrel	16 Frame	31 Rebound Lever
2 Bolt	17 Hammer Assembly	32 Rebound Lever Pin
3 Bolt Screw	18 Hammer Pin	33 Recoil Plate
4 Bolt Spring	19 Hammer Stirrup Detent Assembly	34 Safety Assembly
5 Crane	20 Stirrup Pin (Roll Pin)	35 Safety-Lever
6 Crane Bushing	21 Hammer Strut	36 Sideplate
7 Crane Lock Detent	22 Hammer Strut Pin	37 Sideplate Screws
8 Spring Retaining Screw	23 Hammer Strut Spring	38 Stock, Left
9 Crane Lock Spring	24 Hand	39 Stock, Right
10 Cylinder	25 Latch	40 Stock Pin
11 Ejector Rod	26 Latch Pin	41 Stock Screw
12 Ejector Rod Head	27 Helical-Compression Spring	42 Stock Screw Nut
13 Ejector Spring	28 Latch Spring Guide	43 Trigger
14 Firing Pin	29 Mainspring	44 Headless Shoulder Pin
15 Roll Pin	30 Ejector Ratchet	

Police Python, Python and Trooper (Old Model) Revolver



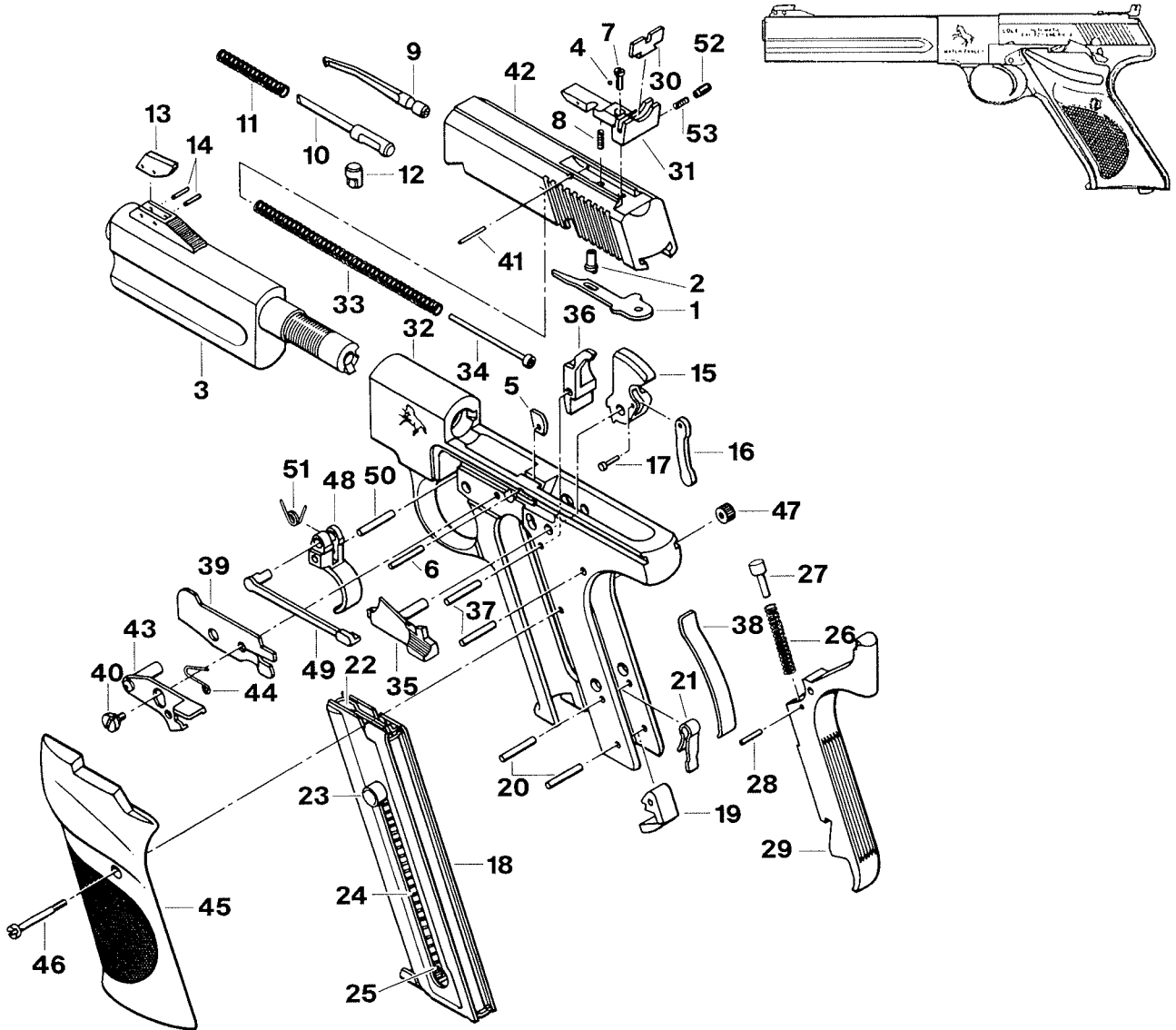
1	Barrel	22	Hammer Stirrup	43	Rear Sight Windage Spring
2	Bolt	23	Roll Pin	44	Rebound Lever
3	Bolt Screw	24	Hammer Strut	45	Rebound Lever Pin
4	Bolt Spring	25	Hammer Strut Pin	46	Safety
5	Crane	26	Hammer Strut Spring	47	Safety-Lever
6	Crane Bushing	27	Hand	48	Sideplate
7	Crane Lock Detent	28	Latch	49	Sideplate Screw, Front
8	Crane Lock Screw	29	Latch Pin	50	Sideplate Screw, Target
9	Crane Lock Spring	30	Latch Spring	51	Left Grip
10	Cylinder Detent Assembly	31	Latch Spring Guide	52	Right Grip
11	Ejector Rod	32	Mainspring	53	Stock Pin
12	Ejector Rod Head	33	Ratchet	54	Stock Screw, Target
13	Ejector Spring	34	Rear Sight Blade	55	Stock Screw Nut
14	Firing Pin	35	Rear Sight Detent Balls	56	Trigger
15	Firing Pin Spring	36	Rear Sight Detent Spring	57	Trigger Pin
16	Firing Pin Stop	37	Rear Sight Elevation Screw		
17	Front Sight Blade	38	Rear Sight Elevation Screw Pin	Parts Not Shown	
18	Front Sight Pin	39	Rear Sight Leaf	Ejector Bushing	
19	Frame	40	Rear Sight Leaf Elevation Springs	Firing Pin Rivet	
20	Hammer Assembly	41	Rear Sight Leaf Pin	Latch Insert	
21	Hammer Pin	42	Rear Sight Windage Screw	Recoil Plate	

Single Action Army Revolver



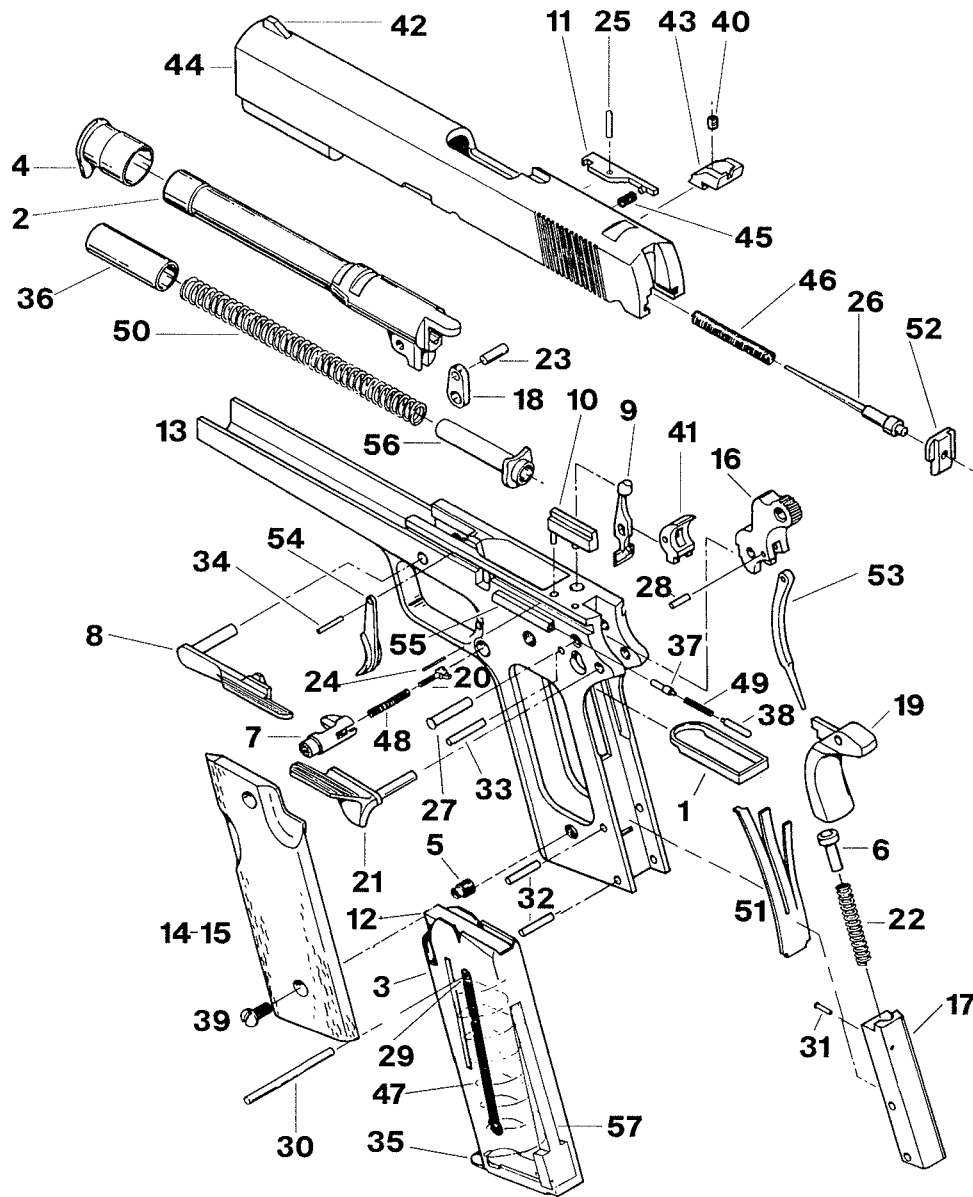
1	Backstrap	18	Firing Pin	35	Recoil Plate
2	Backstrap Screws	19	Firing Pin Rivet	36	Sear and Bolt Spring
3	Balls	20	Frame	37	Sear and Bolt Spring Screw
4	Barrel	21	Front Guard Screw	38	Spring
5	Base Pin	22	Front Strap Screw	39	Stock, Left
6	Base Pin Bushing	23	Gate	40	Stock, Right
7	Base Pin Screw	24	Gate Catch	41	Stock Pin
8	Base Pin Screw Nut	25	Gate Catch Screw	42	Stock Screw
9	Base Pin Spring	26	Gate Spring	43	Trigger
10	Bolt	27	Hammer	44	Trigger Guard
11	Bolt Screw	28	Hammer Roll	45	Trigger Screw
12	Cylinder	29	Hammer Roll Pin	46	Hammer Screw Washer
13	Ejector Head	30	Hammer Screw	47	Bolt Screw Washers
14	Ejector Rod	31	Hand Assembly	48	Backstrap Screw Washers
15	Ejector Spring	32	Mainspring	49	Rear Guard Screw Washers
16	Ejector Tube	33	Mainspring Screw		
17	Ejector Tube Screw	34	Rear Guard Screws		

Woodsman Match Target, Target, Sport, Huntsman and Targetsman



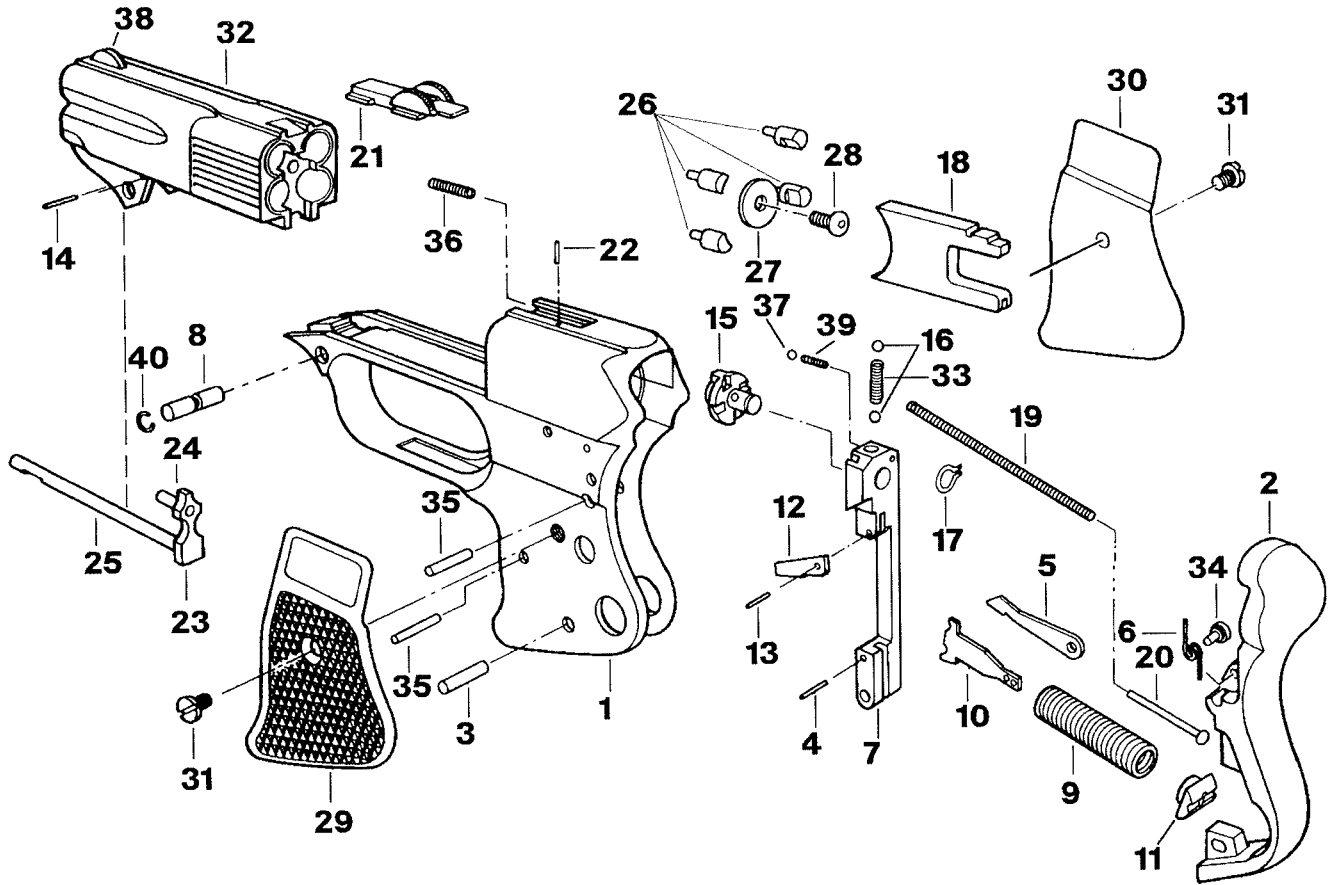
1	Assembly Lock	20	Magazine Catch Pin and Magazine Housing Lock Pin	38	Sear Spring
2	Assembly Lock Plunger	21	Magazine Catch Spring	39	Sideplate
3	Barrel Detent Assembly	22	Magazine Follower	40	Sideplate Screw
4	Rear Sight Detent Ball	23	Magazine Follower Stud	41	Rear Sight Leaf Pin
5	Ejector	24	Magazine Spring	42	Slide Detent Assembly
6	Ejector Pin	25	Magazine Spring Guide	43	Slide Stop Detent Assembly
7	Rear Sight Elevation Screw	26	Mainspring	44	Slide Stop Spring
8	Rear Sight Elevation Spring	27	Mainspring Cap	45	Stock Assembly
9	Extractor	28	Mainspring Cap Pin	46	Stock Screw
10	Firing Pin	29	Mainspring Housing	47	Stock Screw Nut
11	Firing Pin Spring	30	Rear Sight Blade	48	Trigger
12	Firing Pin Stop	31	Rear Sight Leaf Assembly	49	Trigger Bar
13	Front Sight Blade	32	Receiver	50	Trigger Pin
14	Front Sight Blade Pins	33	Recoil Spring	51	Trigger Spring
15	Hammer	34	Recoil Spring Guide	52	Rear Sight Windage Screw
16	Hammer Strut	35	Safety Lock Detent Assembly	53	Rear Sight Windage Spring
17	Hammer Strut Pin	36	Sear	Parts Not Shown	
18	Magazine Assembly	37	Sear Pin and Mainspring Retainer Pin		Rear Sight Detent Ball
19	Magazine Catch				Rear Sight Detent Spring

Model A 357 Magnum Auto



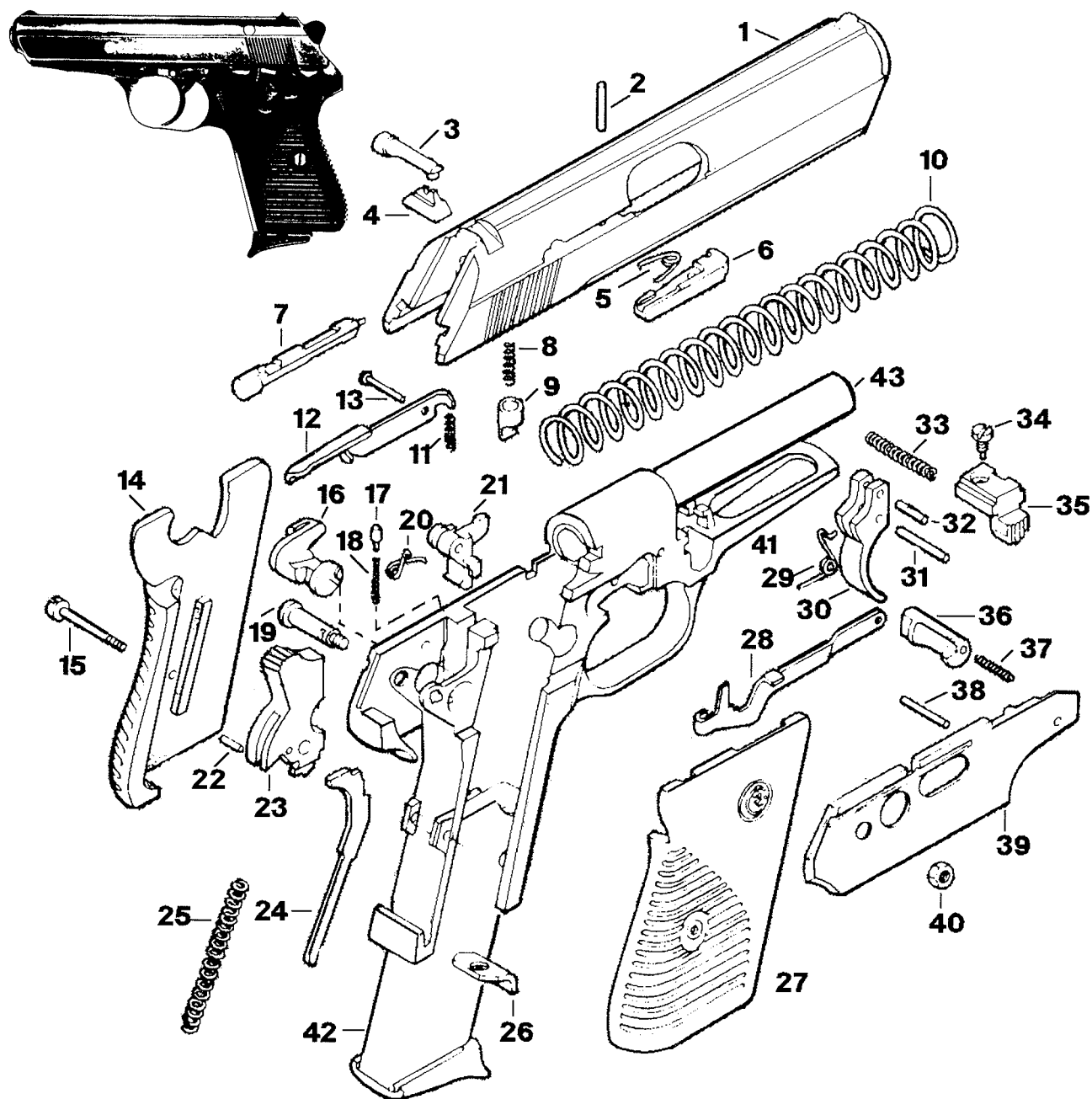
1	Trigger Bar	20	Magazine Catch Lock	39	Grip Screw
2	Barrel	21	Thumb Lock	40	Rear Sight Screw
3	Magazine Body	22	Mainspring	41	Sear
4	Barrel Bushing	23	Barrel Link Pin	42	Front Sight
5	Grip Screw Bushing	24	Ejector Pin	43	Rear Sight
6	Mainspring Cap	25	Extractor Pin	44	Slide
7	Magazine Catch	26	Firing Pin	45	Extractor Spring
8	Slide Catch	27	Hammer Pin	46	Firing Pin Spring
9	Disconnecter	28	Hammer Strut Pin	47	Magazine Spring
10	Ejector	29	Magazine Follower Pin	48	Magazine Catch Spring
11	Extractor	30	Magazine Loading Pin	49	Plunger Tube Spring
12	Magazine Follower	31	Mainspring Cap Pin	50	Recoil Spring
13	Frame	32	Mainspring Housing Pins	51	Sear Spring
14	Grip, Left	33	Sear Pin	52	Firing Pin Stop
15	Grip, Right	34	Trigger Pin	53	Hammer Strut
16	Hammer	35	Magazine Floorplate	54	Trigger
17	Mainspring Housing	36	Recoil Plug	55	Plunger Tube
18	Barrel Link	37	Slide Stop Plunger	56	Recoil Spring Plunger Tube
19	Grip Lock	38	Thumb Lock Plunger	57	Magazine Wedge

4-Shot Derringer



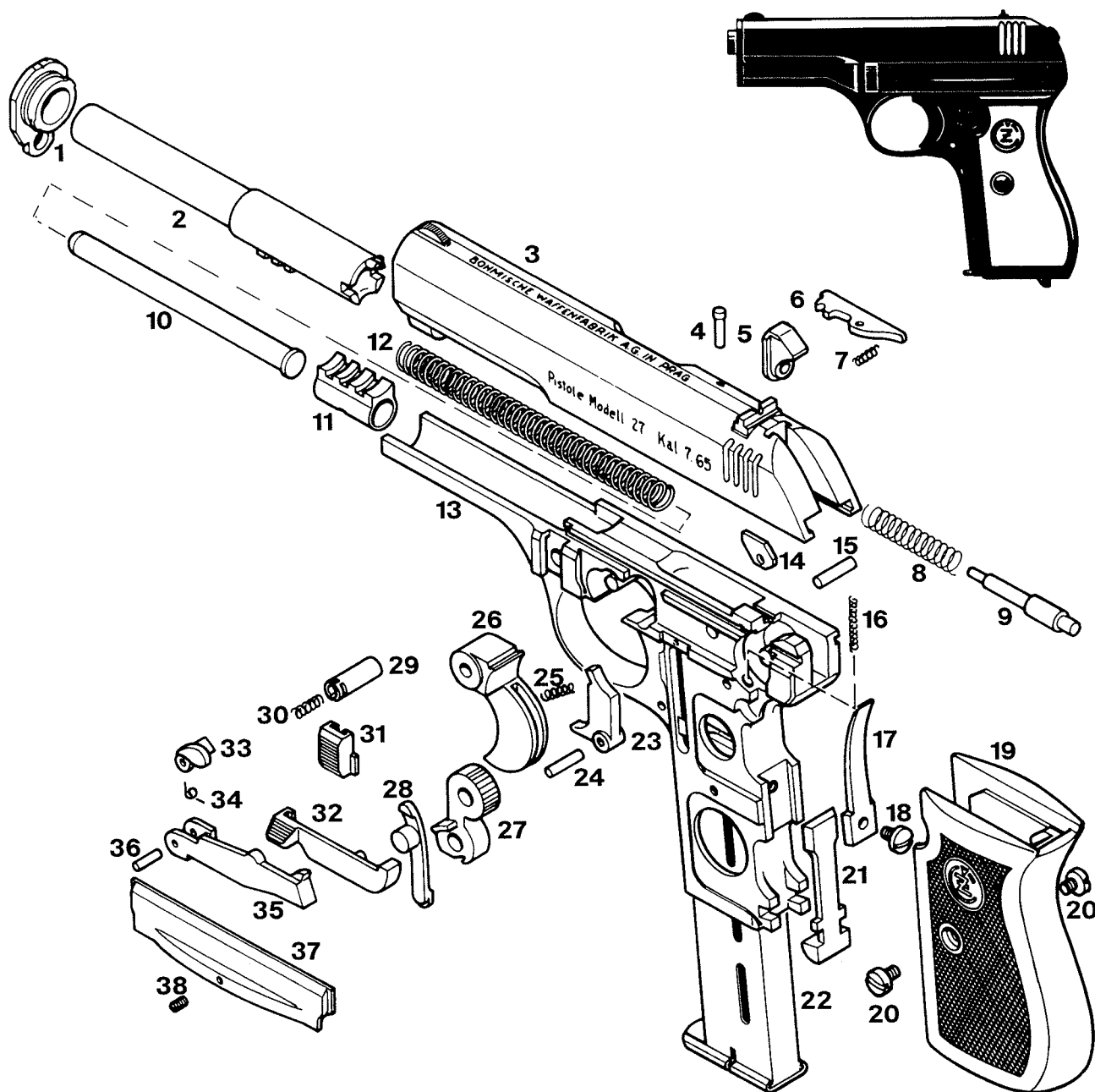
1	Frame	23	Extractor
2	Backstrap	24	Extractor Guide
3	Mounting Pin	25	Extractor Push Rod
4	Hammer Strut Bearing Pin	26	Firing Pins
5	Hand	27	Firing Pin Retaining Washer
6	Hand Spring	28	Firing Pin Retaining Washer Screw
7	Hammer	29	Left Grip
8	Barrel Pin	30	Right Grip
9	Hammer Spring	31	Grip Screws
10	Strut	32	Barrel
11	Bearing	33	Ratchet Plunger Spring
12	Sear	34	Hand Pivot Pin
13	Sear Pin	35	Hammer Pivot and Mounting Pin
14	Extractor Stop Pin	36	Latch Spring
15	Ratchet	37	Ratchet Retainer Ball
16	Ratchet Plungers	38	Front Sight
17	Ratchet Retaining Ring	39	Ratchet Ball Spring
18	Trigger	40	Pivot Pin Retaining Ring
19	Trigger Spring		
20	Trigger Spring Guide Rod		
21	Latch		
22	Latch Stop Pin		
		Parts Not Shown	
			Hand Spring Retainer
			Barrel Pivot Retaining Pin

CZ Model 50 Auto



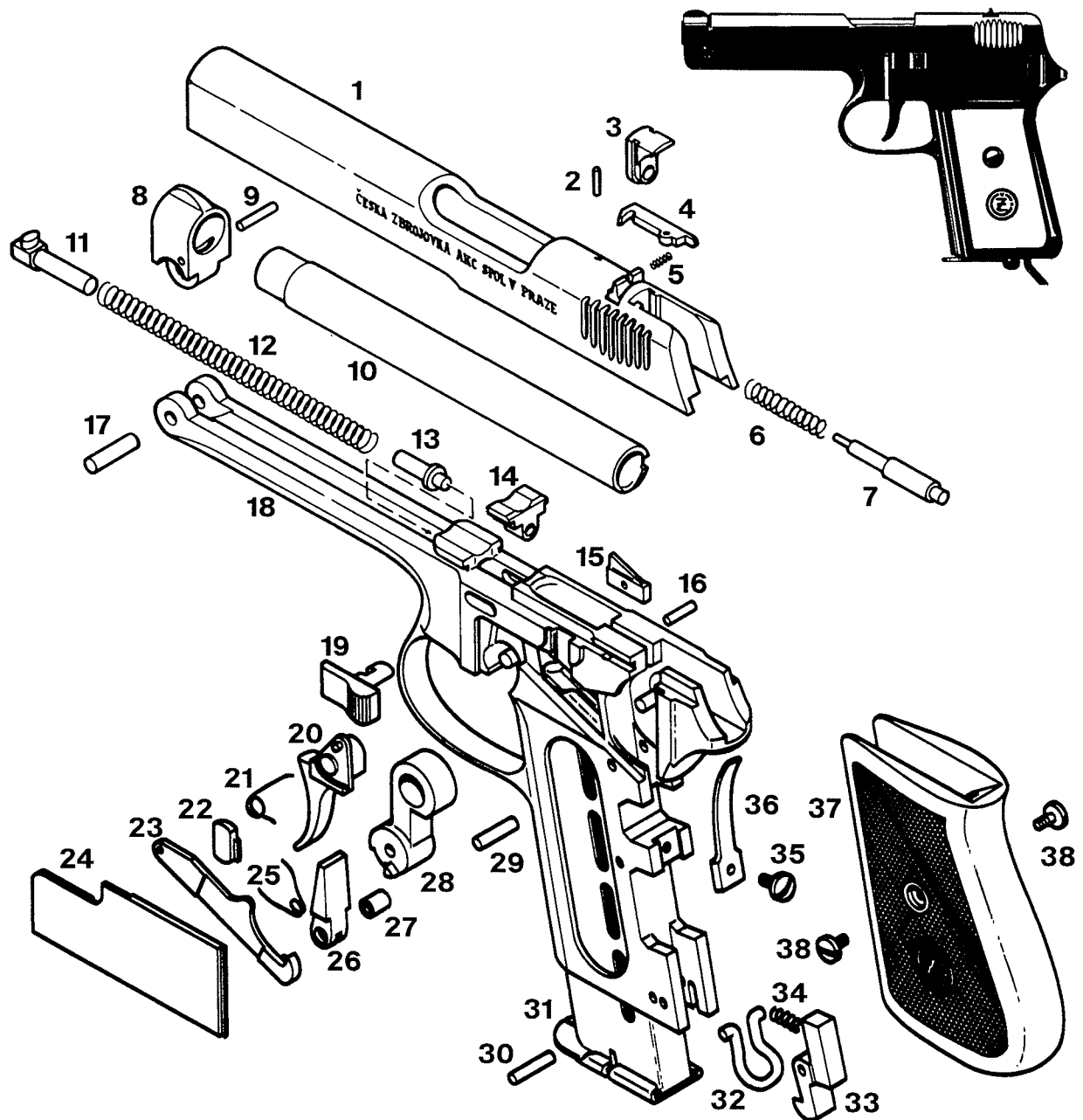
1	Slide	16	Safety	31	Trigger Pin
2	Extractor Pin	17	Safety Plunger	32	Trigger Bar Pin
3	Cartridge Indicator	18	Safety Spring	33	Takedown Catch Spring
4	Rear Sight	19	Hammer Bolt	34	Takedown Catch Screw
5	Extractor Spring	20	Sear Spring	35	Takedown Catch
6	Extractor	21	Sear	36	Magazine Catch
7	Firing Pin	22	Hammer Strut Pin	37	Magazine Catch Spring
8	Firing Pin Lock Spring	23	Hammer	38	Sear Pin
9	Firing Pin Lock	24	Hammer Strut	39	Sideplate
10	Recoil Spring	25	Hammer Spring	40	Hammer Bolt Nut
11	Hold-Open Latch Spring	26	Spring Retainer	41	Receiver
12	Hold-Open Latch and Ejector	27	Right Grip	42	Magazine
13	Hold-Open Hinge Pin	28	Trigger Bar	43	Barrel
14	Left Grip	29	Trigger Spring		
15	Grip Screw	30	Trigger		

CZ Model 1927 Auto



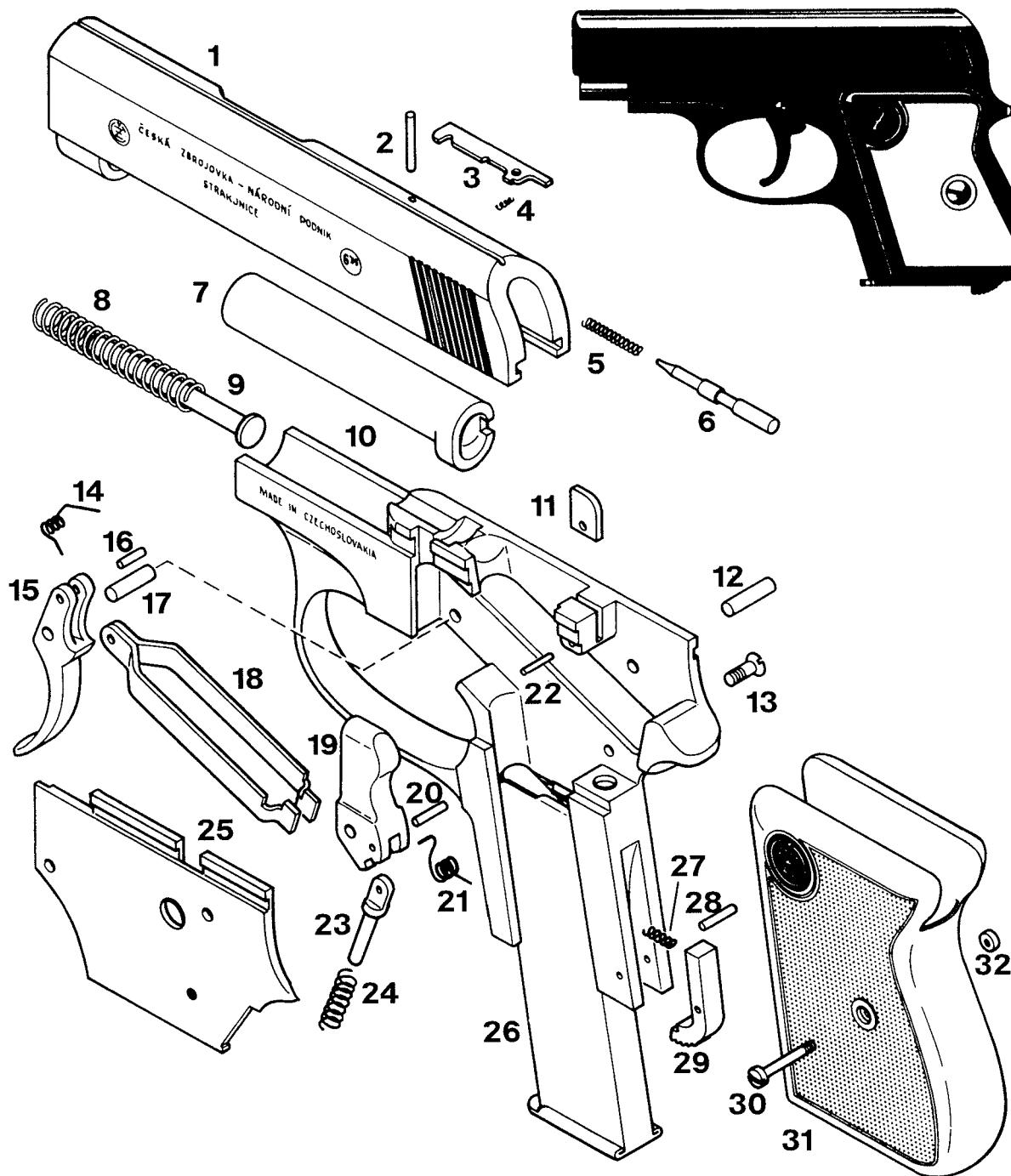
1	Barrel Bushing	14	Ejector	27	Hammer
2	Barrel	15	Ejector Pin	28	Safety Release
3	Slide	16	Safety and Trigger Bar Spring	29	Takedown Cross Pin
4	Extractor Pin	17	Hammer Spring	30	Takedown Catch Spring
5	Firing Pin Retainer	18	Hammer Spring Retaining Screw	31	Takedown Catch
6	Extractor	19	Grip	32	Safety Catch
7	Extractor Spring	20	Grip Screws	33	Disconnecter
8	Firing Pin Spring	21	Magazine Catch	34	Disconnecter Spring
9	Firing Pin	22	Magazine	35	Trigger Bar
10	Recoil Spring Guide	23	Magazine Disconnecter	36	Trigger Bar Hinge Pin
11	Barrel Retainer	24	Disconnecter Hinge Pin	37	Sideplate
12	Recoil Spring	25	Trigger Spring	38	Sideplate Screw
13	Frame	26	Trigger		

CZ Model 1938 Auto



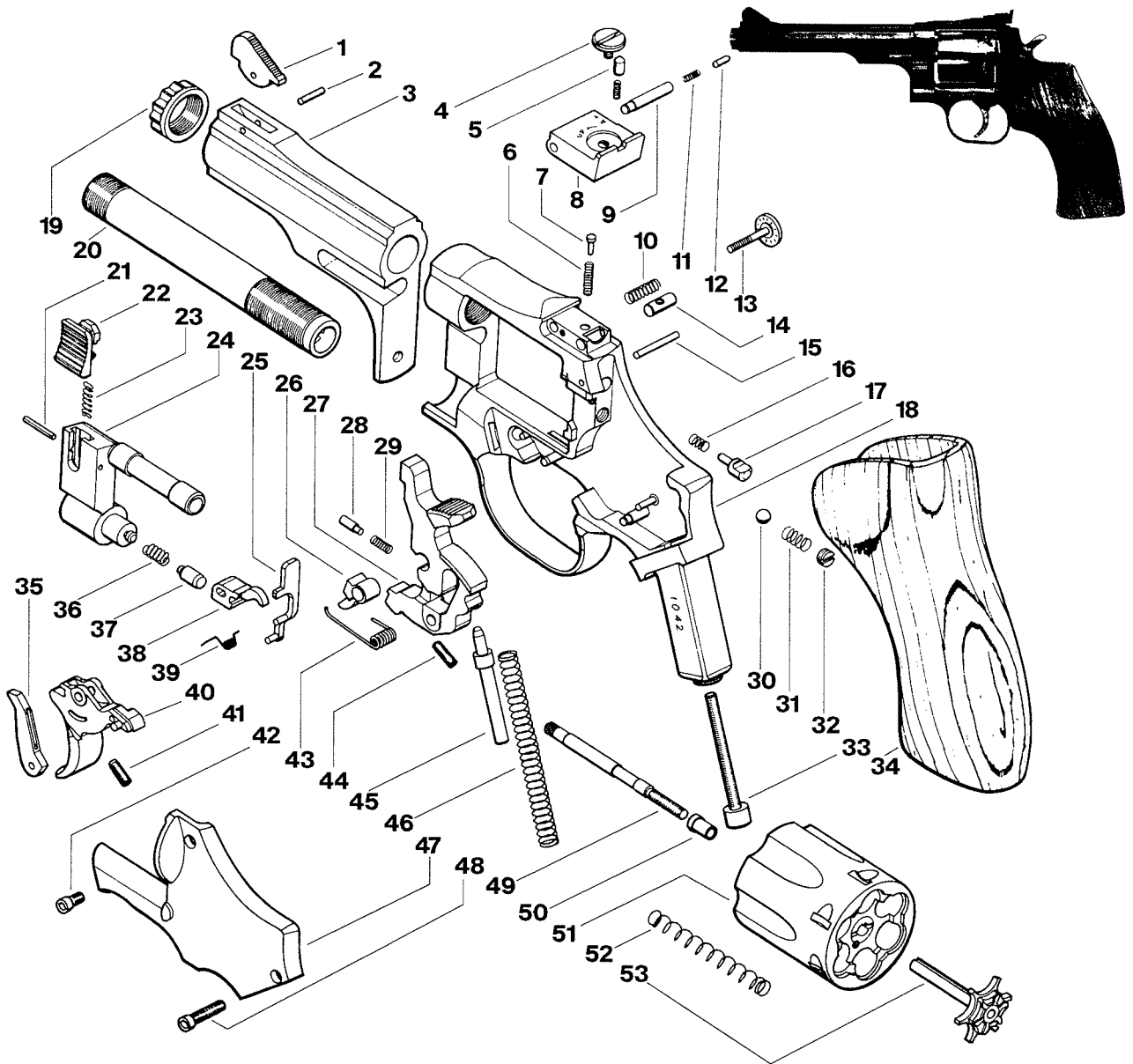
1	Slide	14	Slide Locking Block	27	Sear Pivot Sleeve
2	Extractor Pin	15	Ejector	28	Hammer
3	Firing Pin Retainer	16	Ejector Pin	29	Sear Pin
4	Extractor	17	Hinge Pin	30	Magazine Catch Pin
5	Extractor Spring	18	Frame	31	Magazine
6	Firing Pin Spring	19	Takedown Latch	32	Lanyard Loop
7	Firing Pin	20	Trigger	33	Magazine Catch
8	Barrel Mount	21	Trigger Spring	34	Magazine Catch Spring
9	Barrel Bushing Pin	22	Disconnecter	35	Hammer Spring Screw
10	Barrel	23	Trigger Bar	36	Hammer Spring
11	Recoil Spring Guide	24	Sideplate	37	Grip
12	Recoil Spring	25	Sear Spring	38	Grip Screw
13	Takedown Latch Plunger	26	Sear		

CZ Model 1945 Auto



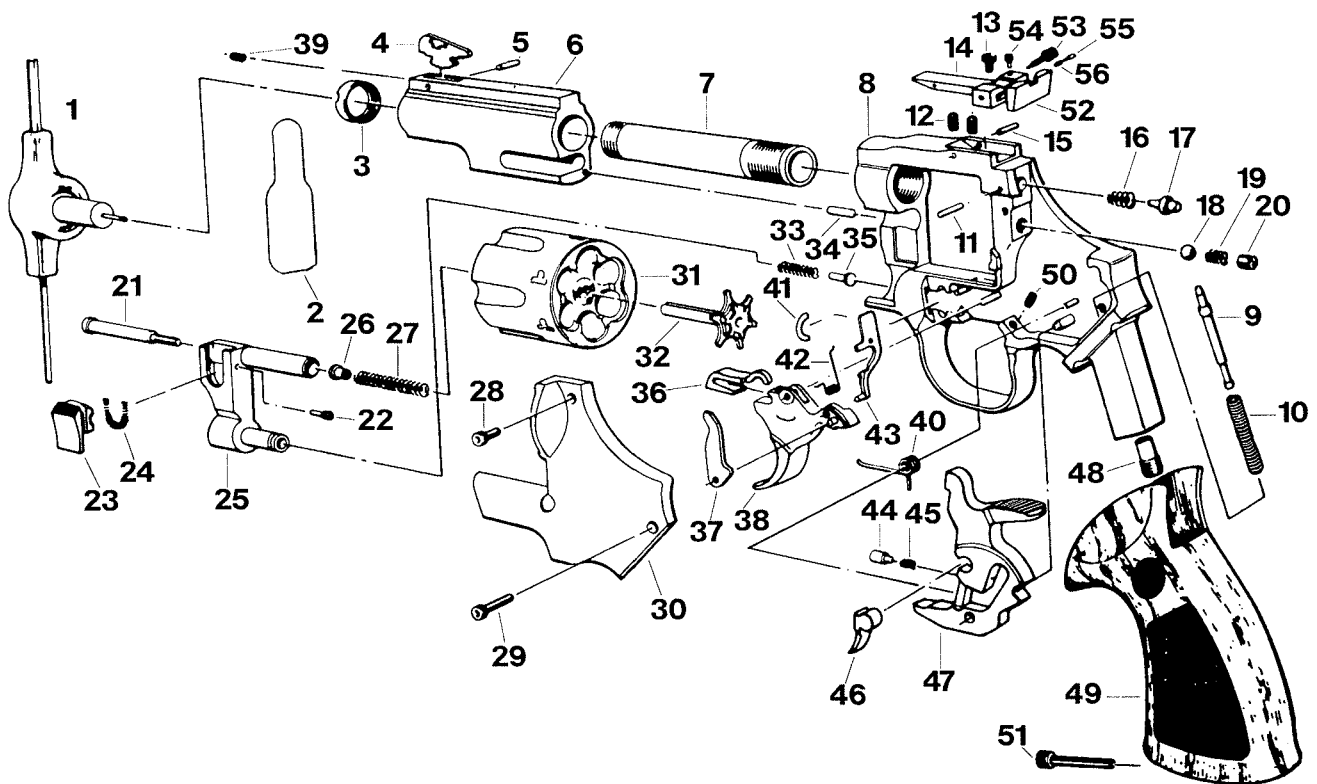
- | | | | | | |
|----|---------------------|----|---------------------------|----|-----------------------|
| 1 | Slide | 12 | Hammer Pin | 23 | Hammer Strut |
| 2 | Extractor Pin | 13 | Sideplate Screw | 24 | Hammer Spring |
| 3 | Extractor | 14 | Trigger Spring | 25 | Sideplate |
| 4 | Extractor Spring | 15 | Trigger | 26 | Magazine |
| 5 | Firing Pin Spring | 16 | Trigger Bar Pin | 27 | Magazine Catch Spring |
| 6 | Firing Pin | 17 | Trigger Hinge Pin | 28 | Magazine Catch Pin |
| 7 | Barrel | 18 | Trigger Bar | 29 | Magazine Catch |
| 8 | Recoil Spring | 19 | Hammer | 30 | Grip Screw |
| 9 | Recoil Spring Guide | 20 | Hammer Strut Pin | 31 | Grip |
| 10 | Frame | 21 | Trigger Bar Return Spring | 32 | Grip Screw Nut |
| 11 | Ejector | 22 | Ejector Pin | | |

Model 12 Revolver



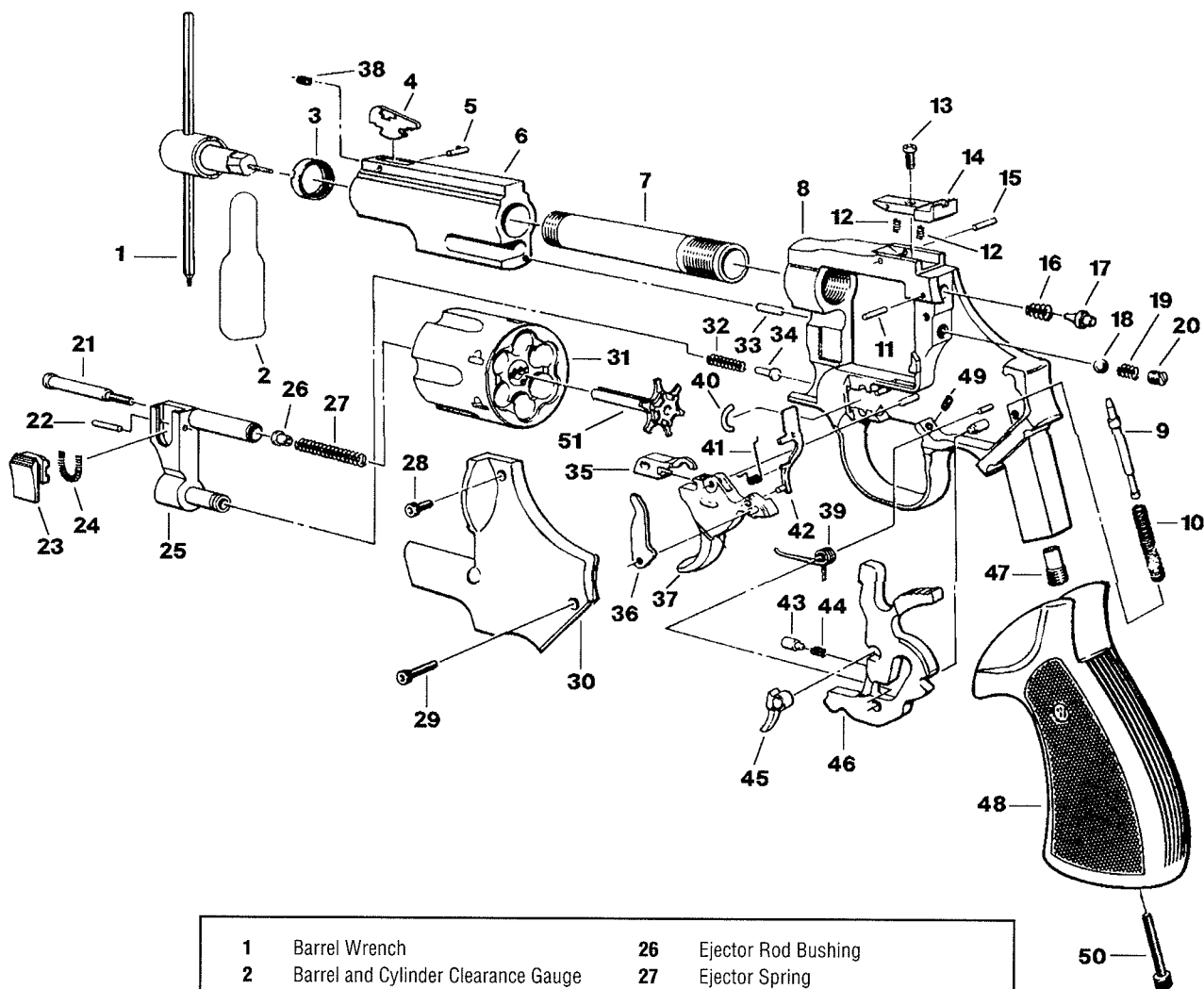
1	Front Sight	19	Barrel Nut	37	Bolt Plunger
2	Front Sight Pin	20	Barrel	38	Bolt
3	Shroud	21	Latch Retaining Pin	39	Hand Spring
4	Elevation Screw	22	Latch	40	Trigger
5	Elevation Click Plunger	23	Latch Spring	41	Trigger Stop Screw
6	Elevation Tension Spring	24	Crane	42	Sideplate Screw, Short
7	Elevation Tension Plunger	25	Firing Pin Connector	43	Trigger Return Spring
8	Rear Sight Body	26	Strut	44	Hammer Pin
9	Hinge Pin	27	Hammer	45	Mainspring Guide
10	Windage Tension Spring	28	Strut Plunger	46	Mainspring
11	Plunger Spring	29	Strut Spring	47	Sideplate
12	Windage Click Plunger	30	Cylinder Aligning Ball	48	Sideplate Screw, Long
13	Windage Screw	31	Aligning Ball Spring	49	Ejector Rod
14	Elevation Nut	32	Aligning Ball Screw	50	Ejector Rod Bushing
15	Firing Pin Retaining Pin	33	Grip Screw	51	Cylinder
16	Firing Pin Spring	34	Grip	52	Ejector Spring
17	Firing Pin	35	Hand	53	Extractor
18	Frame	36	Bolt Spring		

Model 8-2S, 14-2S, 708 and 714 Revolver



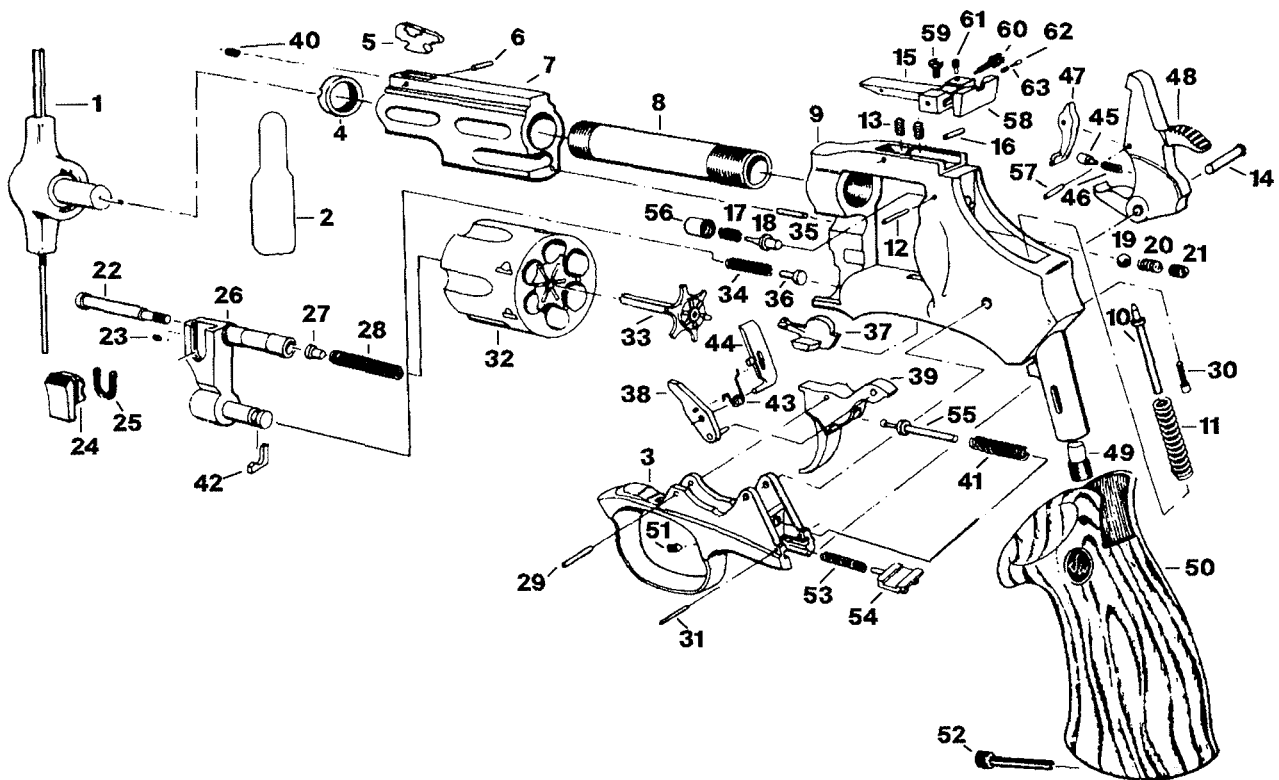
1	Wrench	29	Long Sideplate Screw
2	Gauge, Barrel and Cylinder Clearance	30	Sideplate
3	Barrel Nut	31	Cylinder
4	Front Sight	32	Extractor
5	Front Sight Pin	33	Bolt Spring
6	Shroud	34	Shroud Locating Pin
7	Barrel	35	Bolt Plunger
8	Frame	36	Bolt
9	Mainspring Guide	37	Hand
10	Mainspring	38	Trigger
11	Firing Pin Retaining Pin	39	Front Sight Retaining Screw
12	Rear Sight Elevation Tension Springs	40	Trigger Return Spring
13	Rear Sight Elevation Screw	41	Crane Lock
14	Rear Sight Body	42	Hand Spring
15	Rear Sight Retaining Pin	43	Connector
16	Firing Pin Spring	44	Strut Plunger
17	Firing Pin	45	Strut Spring
18	Cylinder Aligning Ball	46	Strut
19	Cylinder Aligning Ball Spring	47	Hammer
20	Aligning Ball Screw	48	Mainspring Seat
21	Ejector Rod	49	Grip
22	Latch Retaining Screw	50	Trigger Stop Screw
23	Latch	51	Grip Screw
24	Latch Spring	52	Rear Sight Blade
25	Crane	53	Windage Screw Retainer
26	Ejector Rod Bushing	54	Windage Screw
27	Ejector Spring	55	Windage Plunger Spring
28	Short Sideplate Screw	56	Windage Plunger

Model 8-2, 9-2, 14-2 and 15-2 Revolver



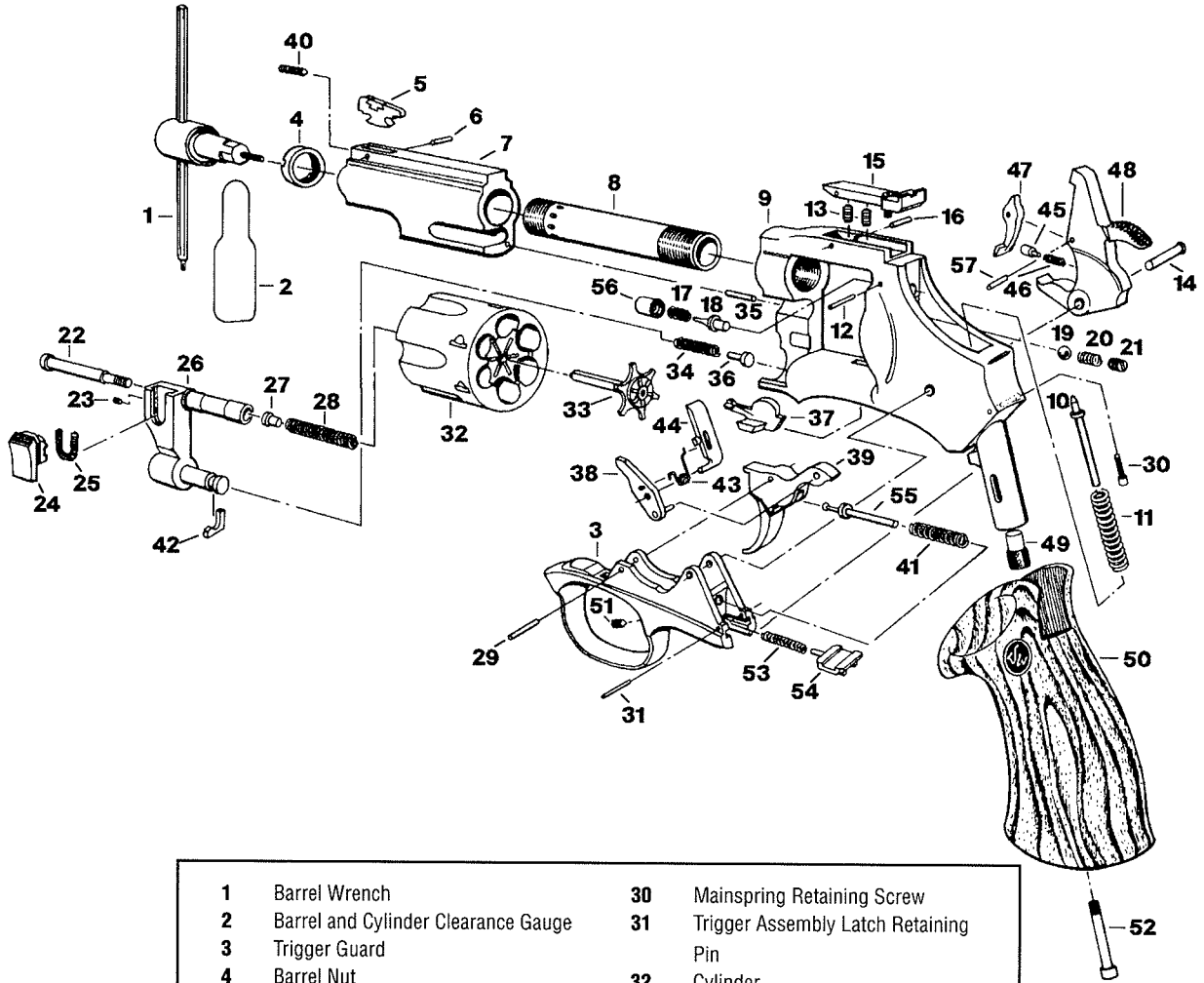
1	Barrel Wrench	26	Ejector Rod Bushing
2	Barrel and Cylinder Clearance Gauge	27	Ejector Spring
3	Barrel Nut	28	Short Sideplate Screw
4	Front Sight	29	Long Sideplate Screw
5	Front Sight Pin	30	Sideplate
6	Shroud	31	Cylinder
7	Barrel	32	Bolt Spring
8	Frame	33	Shroud Locating Pin
9	Mainspring Guide	34	Bolt Plunger
10	Mainspring	35	Bolt
11	Firing Pin Retaining Pin	36	Hand
12	Rear Sight Elevation Tension Springs	37	Trigger
13	Rear Sight Elevation Screw	38	Front Sight Retaining Screw
14	Rear Sight Body	39	Trigger Return Spring
15	Rear Sight Retaining Pin	40	Crane Lock
16	Firing Pin Spring	41	Hand Spring
17	Firing Pin	42	Connector
18	Cylinder Aligning Ball	43	Strut Plunger
19	Cylinder Aligning Ball Spring	44	Strut Spring
20	Aligning Ball Screw	45	Strut
21	Ejector Rod	46	Hammer
22	Latch Retaining Pin	47	Mainspring Seat
23	Latch	48	Grip
24	Latch Spring	49	Trigger Stop Screw
25	Crane	50	Grip Screw
		51	Extractor

Model 375, 40, 41, 44, 45, 740, 741 and 744 Revolver



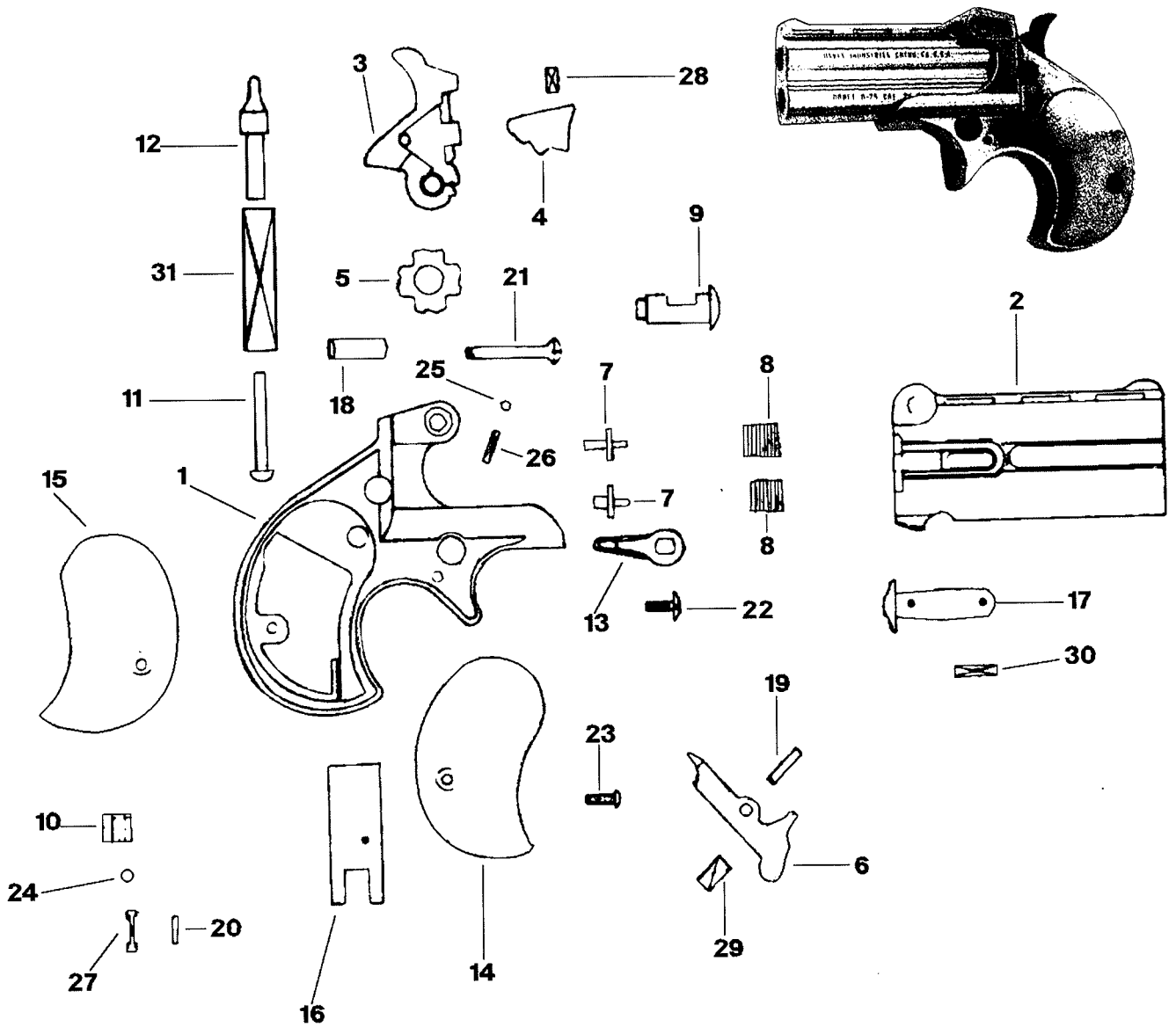
1	Wrench	21	Aligning Ball Screw	42	Crane Lock
2	Barrel and Cylinder Clearance Gauge	22	Ejector Rod	43	Hand Spring
3	Trigger Guard	23	Latch Retaining Screw	44	Connector
4	Barrel Nut	24	Latch	45	Strut Plunger
5	Front Sight	25	Latch Spring	46	Strut Spring
6	Front Sight Pin	26	Crane	47	Strut
7	Shroud	27	Ejector Rod Bushing	48	Hammer
8	Barrel	28	Ejector Spring	49	Mainspring Seat
9	Frame	29	Trigger Pivot Pin	50	Grip
10	Mainspring Guide	30	Mainspring Retaining Screw	51	Trigger Stop Screw
11	Mainspring	31	Trigger Assembly Latch Retaining Pin	52	Grip Screw
12	Firing Pin Retaining Pin	32	Cylinder	53	Trigger Assembly Latch Spring
13	Rear Sight Elevation Tension Springs	33	Extractor	54	Trigger Assembly Latch
14	Hammer Pivot Pin	34	Bolt Plunger Spring	55	Trigger Return Spring Guide
15	Rear Sight Body	35	Shroud Locating Pin	56	Firing Pin Bushing
16	Rear Sight Retaining Pin	36	Bolt Plunger	57	Strut Pivot Pin
17	Firing Pin Spring	37	Bolt	58	Rear Sight Blade
18	Firing Pin	38	Hand	59	Elevation Screw
19	Cylinder Aligning Ball	39	Trigger	60	Windage Screw
20	Cylinder Aligning Ball Spring	40	Sight Retaining Screw	61	Windage Screw Retainer
		41	Trigger Return Spring	62	Windage Plunger
				63	Windage Plunger Spring

Model 44 Revolver



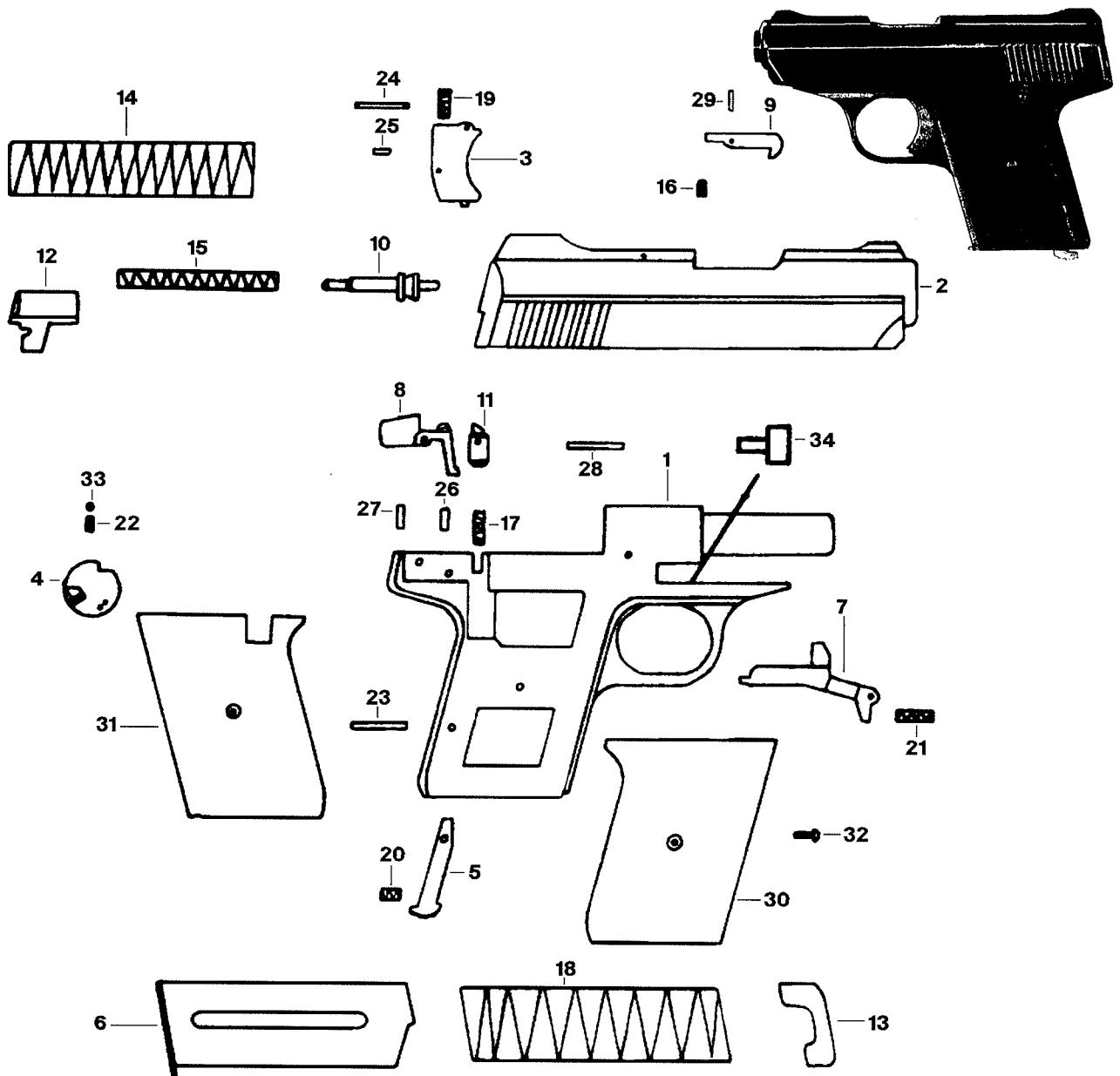
1	Barrel Wrench	30	Mainspring Retaining Screw
2	Barrel and Cylinder Clearance Gauge	31	Trigger Assembly Latch Retaining Pin
3	Trigger Guard	32	Cylinder
4	Barrel Nut	33	Extractor
5	Front Sight	34	Bolt Plunger Spring
6	Front Sight Pin	35	Shroud Locating Pin
7	Shroud	36	Bolt Plunger
8	Barrel	37	Bolt
9	Frame	38	Hand
10	Mainspring Guide	39	Trigger
11	Mainspring	40	Sight Retaining Screw
12	Firing Pin Retaining Pin	41	Trigger Return Spring
13	Rear Sight Elevation Tension Springs	42	Crane Lock
14	Hammer Pivot Pin	43	Hand Spring
15	Rear Sight Body	44	Connector
16	Rear Sight Retaining Pin	45	Strut Plunger
17	Firing Pin Spring	46	Strut Spring
18	Firing Pin	47	Strut
19	Cylinder Aligning Ball	48	Hammer
20	Cylinder Aligning Ball Spring	49	Mainspring Seat
21	Aligning Ball Screw	50	Grip
22	Ejector Rod	51	Trigger Stop Screw
23	Latch Retaining Screw	52	Grip Screw
24	Latch	53	Trigger Assembly Latch Spring
25	Latch Spring	54	Trigger Assembly Latch
26	Crane	55	Trigger Return Spring Guide
27	Ejector Rod Bushing	56	Firing Pin Bushing
28	Ejector Spring	57	Strut Pivot Pin
29	Trigger Pivot Pin		

Derringer

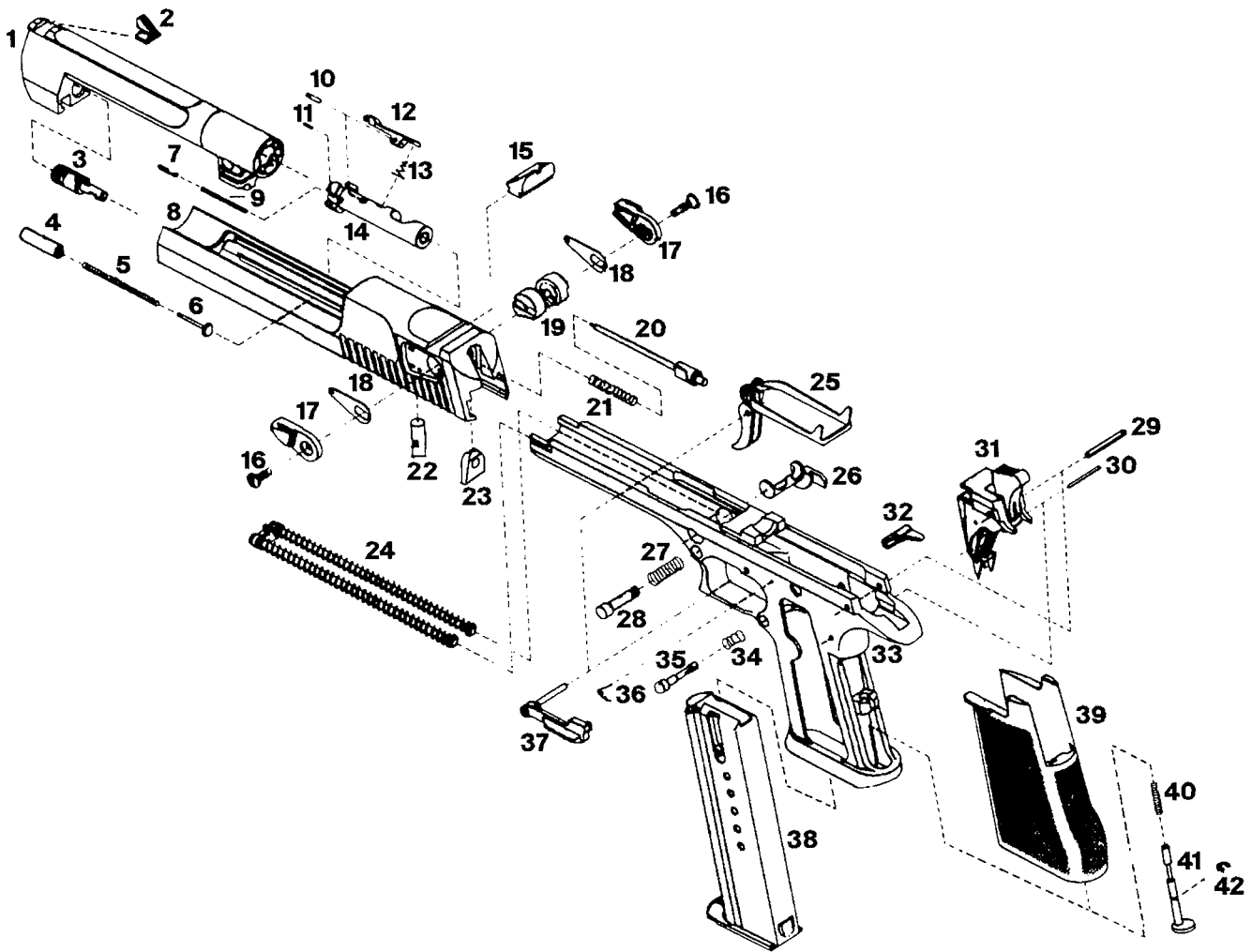


1	Frame	17	Extractor
2	Barrel	18	Hammer Pivot Pin
3	Hammer	19	Trigger Pin
4	Selector	20	Safety Pin
5	Cam	21	Hinge Screw
6	Trigger	22	Lock Screw
7	Firing Pins	23	Grip Screw
8	Bushings	24	Safety Ball
9	Lock	25	Lock Ball
10	Safety	26	Lock Spring
11	Screw	27	Safety Spring
12	Guide Pin	28	Selector Spring
13	Locking Lever	29	Trigger Spring
14	Right Grip	30	Extractor Spring
15	Left Grip	31	Mainspring
16	Cam Spring		

P-32 and P-380 Auto

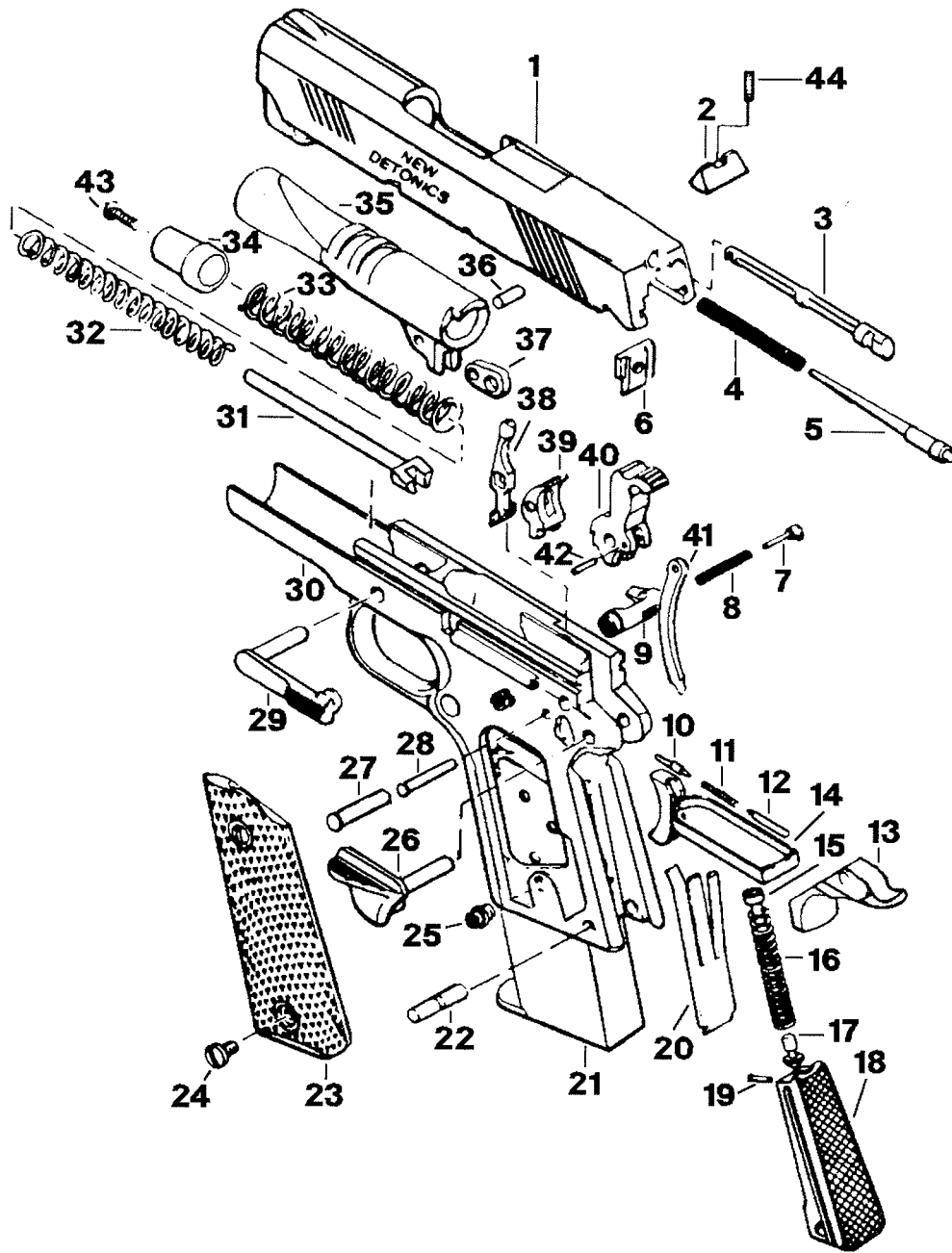


1	Frame	18	Magazine Spring
2	Slide	19	Trigger Spring
3	Trigger	20	Magazine Catch Spring
4	Safety	21	Disconnecter Spring
5	Magazine Catch	22	Safety Spring
6	Magazine	23	Magazine Catch Pin
7	Disconnecter	24	Trigger Pin
8	Cam	25	Disconnecter Pin
9	Extractor	26	Cam Pin
10	Firing Pin	27	Retainer Pin
11	Sear	28	Barrel Press Pin
12	Firing Pin Retainer	29	Extractor Pin
13	Magazine Follower	30	Right Grip
14	Recoil Spring	31	Left Grip
15	Firing Pin Spring	32	Grip Screw
16	Extractor Spring	33	Safety Ball
17	Sear Spring	34	Buffer



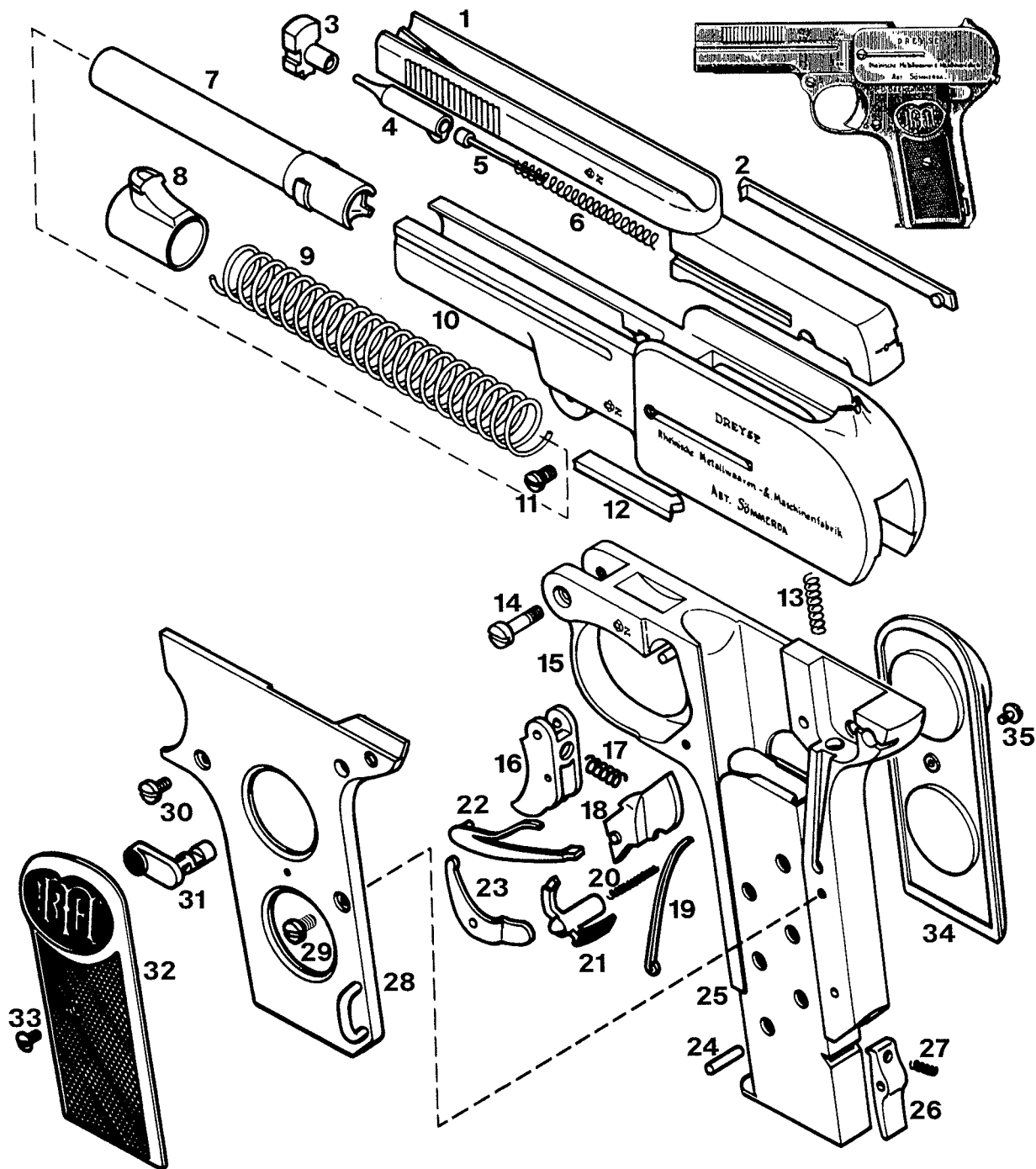
1	Barrel	22	Bolt Guide Pin
2	Front Sight	23	Firing Pin Stop
3	Gas Piston	24	Recoil Spring Assembly
4	Bolt Stabilizer Pin	25	Trigger Assembly
5	Bolt Stabilizer Spring	26	Barrel Lock
6	Guide Pin	27	Barrel Lock Spring
7	Ejector	28	Barrel Lock Pin
8	Slide	29	Hammer Pin
9	Ejector Spring	30	Sear Pin
10	Extractor Pin	31	Hammer Mechanism Assembly
11	Ejector Pin	32	Magazine Catch
12	Extractor	33	Frame
13	Extractor Spring	34	Magazine Catch Spring
14	Bolt	35	Magazine Catch Pin
15	Rear Sight	36	Slide Catch Spring
16	Safety Screws	37	Slide Catch
17	Safety-Lever	38	Magazine Assembly
18	Safety Springs	39	Grip
19	Safety Drum	40	Grip Pin Spring
20	Firing Pin	41	Grip Pin
21	Firing Pin Spring	42	Retaining Ring

Combat Master Auto



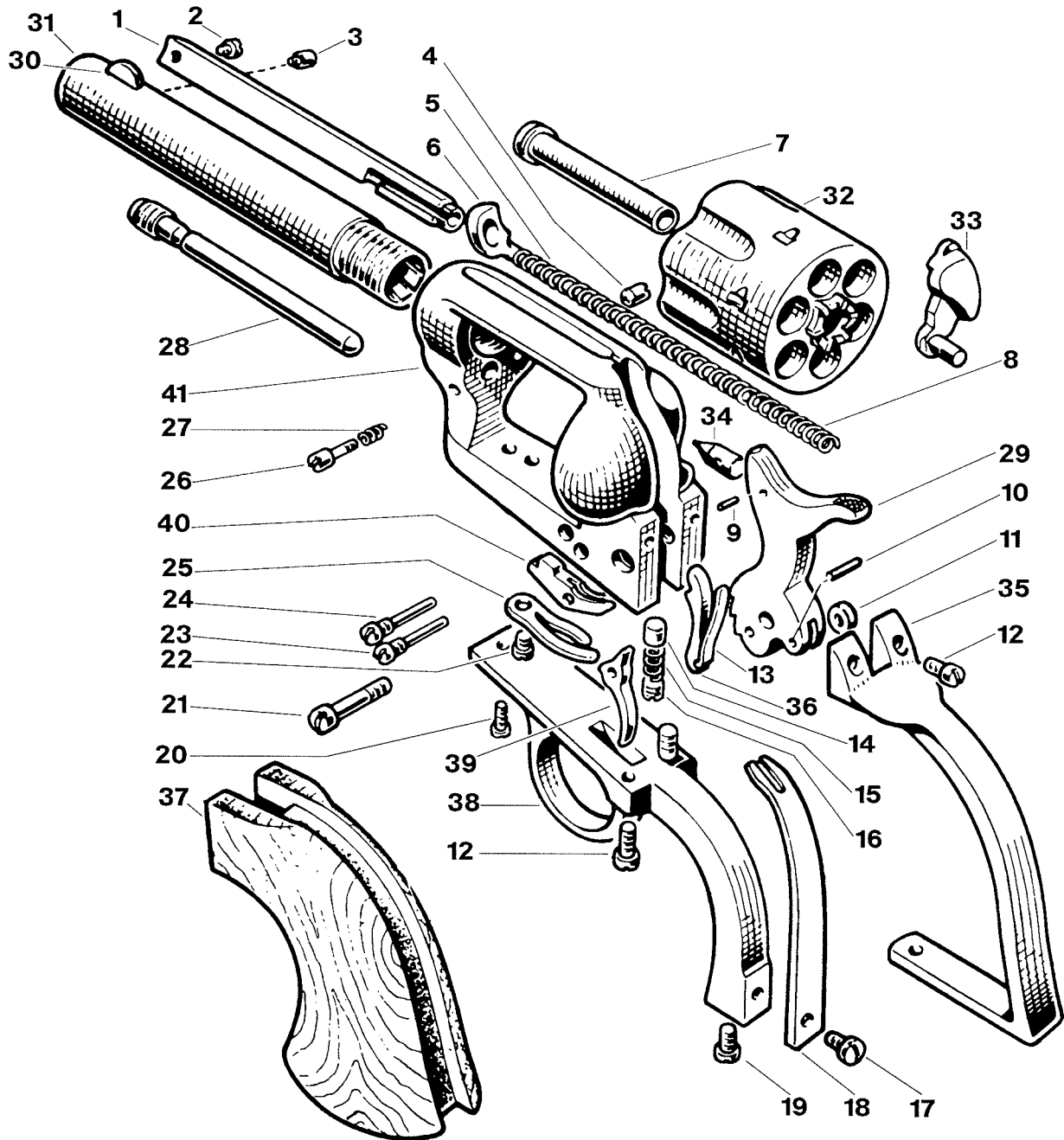
1	Slide	16	Mainspring	30	Frame
2	Rear Sight	17	Mainspring Housing Pin Retainer	31	Recoil Spring Guide
3	Extractor	18	Mainspring Housing	32	Inner Recoil Spring
4	Firing Pin Spring	19	Mainspring Cap Pin	33	Outer Recoil Spring
5	Firing Pin	20	Sear Spring	34	Recoil Spring Cap
6	Firing Pin Stop	21	Magazine Assembly	35	Barrel
7	Magazine Catch Lock	22	Mainspring Housing Pin	36	Barrel Link Pin
8	Magazine Catch Spring	23	Left Grip	37	Barrel Link
9	Magazine Catch	24	Stock Screw	38	Disconnecter
10	Slide Stop Plunger	25	Stock Screw Bushing	39	Sear
11	Slide Stop Plunger Spring	26	Safety-Lever	40	Hammer
12	Safety Lock Plunger	27	Hammer Pin	41	Hammer Strut
13	Beavertail Grip Extension	28	Sear Pin	42	Hammer Strut Pin
14	Trigger	29	Slide Stop	43	Recoil Spring Guide Screw
15	Mainspring Guide			44	Rear Sight Retention Screw

Model 1907 Auto



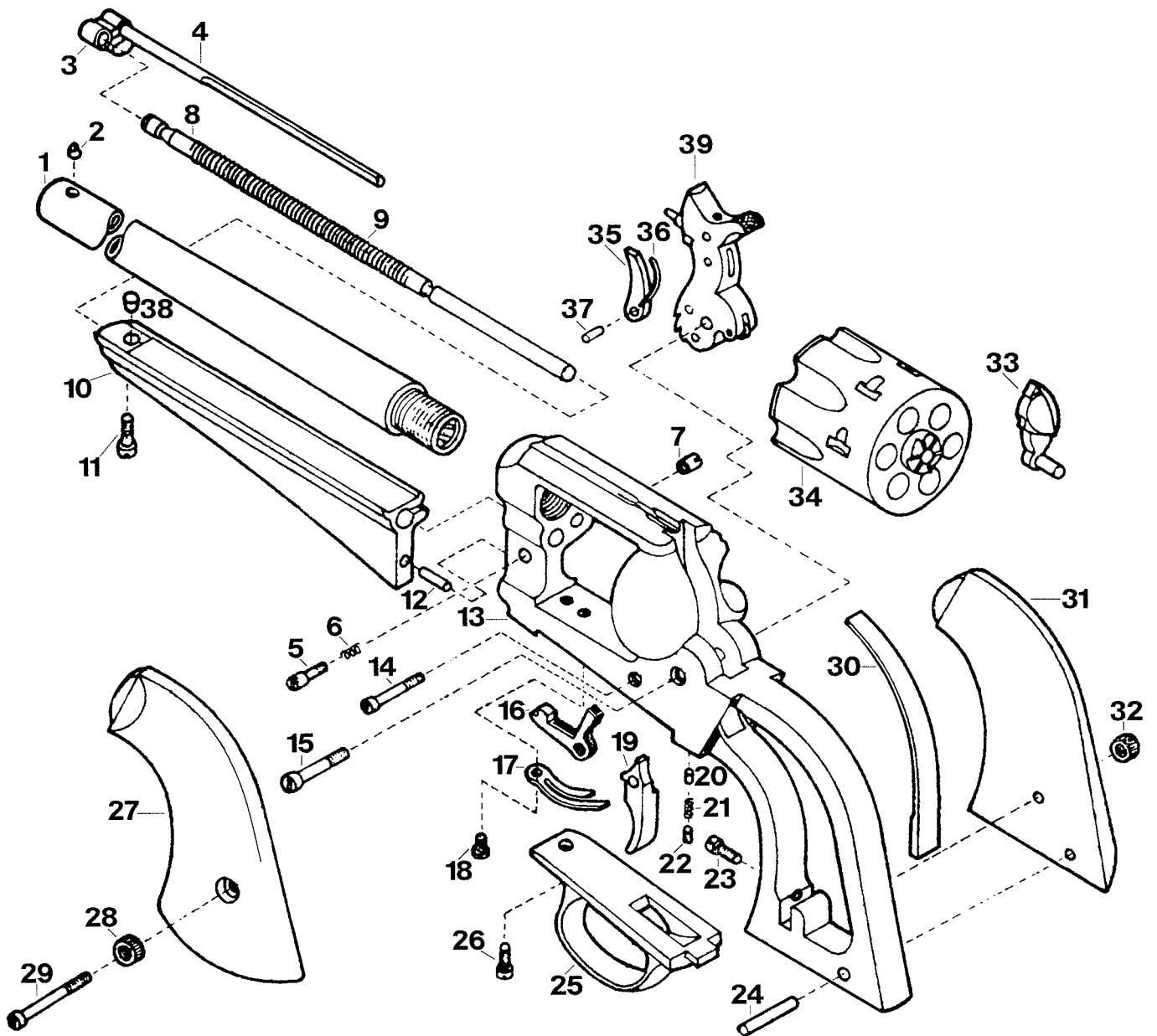
- | | | | | | |
|----|------------------------|----|---------------------|----|-----------------------|
| 1 | Slide | 13 | Sear Spring | 25 | Magazine |
| 2 | Extractor | 14 | Hinge Screw | 26 | Magazine Catch |
| 3 | Bolt Head | 15 | Grip Frame | 27 | Magazine Catch Spring |
| 4 | Firing Pin | 16 | Trigger | 28 | Sideplate |
| 5 | Cocking Indicator | 17 | Trigger Spring | 29 | Sideplate Screw |
| 6 | Firing Pin Spring | 18 | Sear | 30 | Front Sideplate Screw |
| 7 | Barrel | 19 | Safety Catch Spring | 31 | Safety Catch |
| 8 | Barrel Spring Follower | 20 | Frame Latch Spring | 32 | Left Grip Panel |
| 9 | Recoil Spring | 21 | Frame Latch | 33 | Left Grip Screw |
| 10 | Upper Frame | 22 | Trigger Bar | 34 | Right Grip Panel |
| 11 | Ejector Screw | 23 | Disconnecter | 35 | Right Grip Screw |
| 12 | Ejector | 24 | Magazine Catch Pin | | |

Dakota Model 1873 Revolver



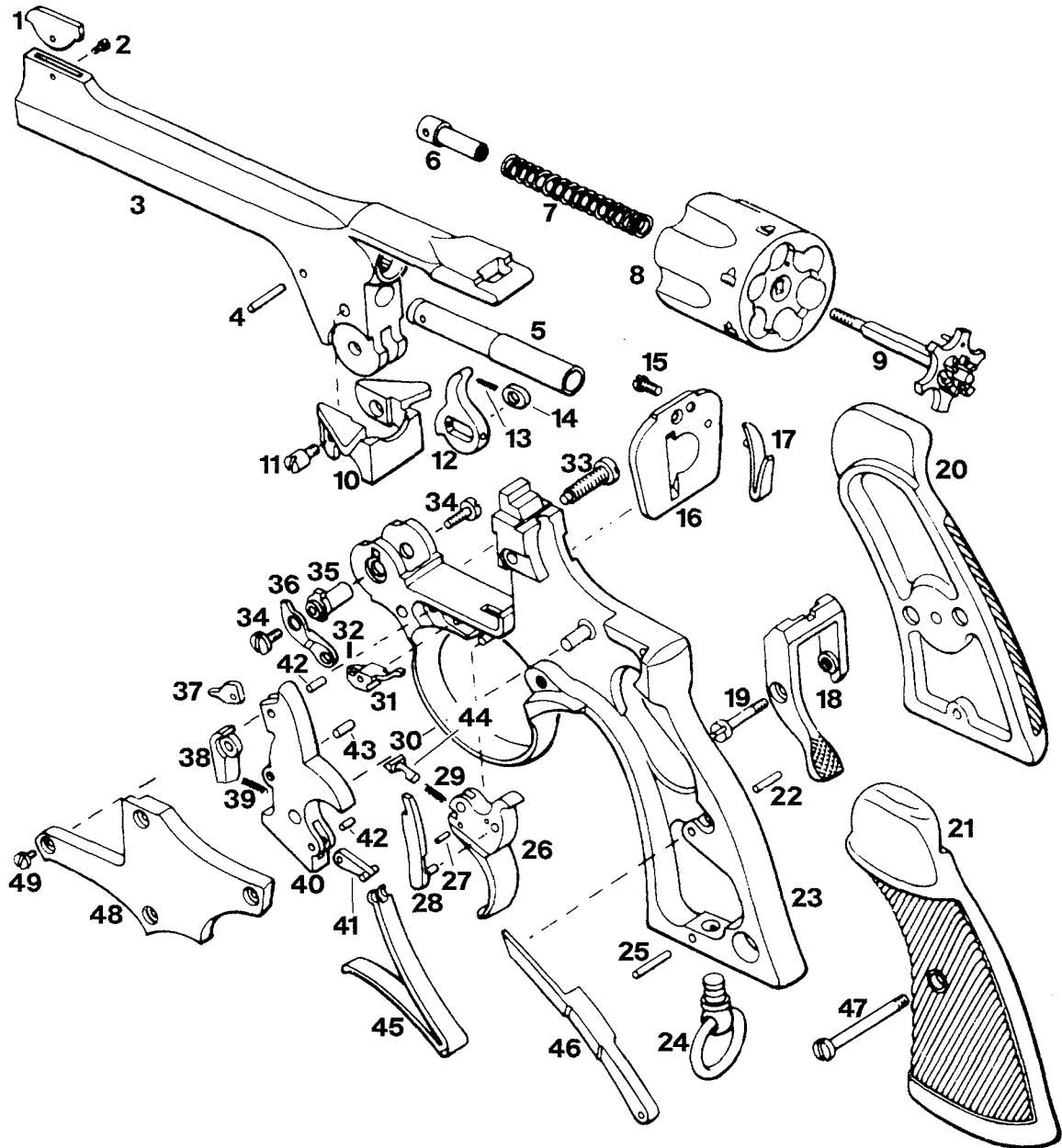
1	Ejector Tube	15	Loading Gate Spring	29	Hammer
2	Ejector Tube Screw	16	Loading Gate Catch Screw	30	Front Sight
3	Ejector Tube Screw Bushing	17	Mainspring	31	Barrel
4	Ejector Pin Nut	18	Mainspring	32	Cylinder
5	Ejector Rod	19	Front Backstrap Screw	33	Loading Gate
6	Ejector Rod Head	20	Front Trigger Guard Screw	34	Firing Pin
7	Base Pin Bushing	21	Hammer Screw	35	Backstrap
8	Ejector Spring	22	Bolt Spring Screw	36	Hand
9	Firing Pin Lock Pin	23	Trigger Screw	37	Stock
10	Mainspring Roller Pin	24	Bolt Screw	38	Trigger Guard
11	Mainspring Roller	25	Sear and Bolt Spring	39	Trigger
12	Backstrap Screw	26	Cylinder Base Pin Screw	40	Bolt
13	Hand Spring	27	Cylinder Base Pin Spring	41	Frame
14	Loading Gate Catch	28	Cylinder Base Pin		

Remington 1875 Army Revolver



1	Barrel	14	Trigger and Bolt Screw	27	Left Grip
2	Front Sight	15	Hammer Screw	28	Left Grip Escutcheon
3	Ejector Rod Head	16	Cylinder Locking Bolt	29	Grip Screw
4	Ejector Rod	17	Trigger and Bolt Spring	30	Mainspring
5	Cylinder Lock Screw	18	Trigger and Bolt Spring Screw	31	Right Grip
6	Cylinder Lock Spring	19	Trigger	32	Right Grip Escutcheon
7	Cylinder Lock Nut	20	Gate Plunger	33	Loading Gate
8	Cylinder Pin	21	Gate Plunger Spring	34	Cylinder
9	Ejector Spring	22	Gate Plunger Screw	35	Hand
10	Ejector Housing	23	Mainspring Screw	36	Hand Spring
11	Ejector Housing Screw	24	Pin	37	Hand Axis Pin
12	Ejector Housing Pin	25	Trigger Guard	38	Ejector Housing Stud
13	Frame	26	Trigger Guard Screw	39	Hammer Assembly

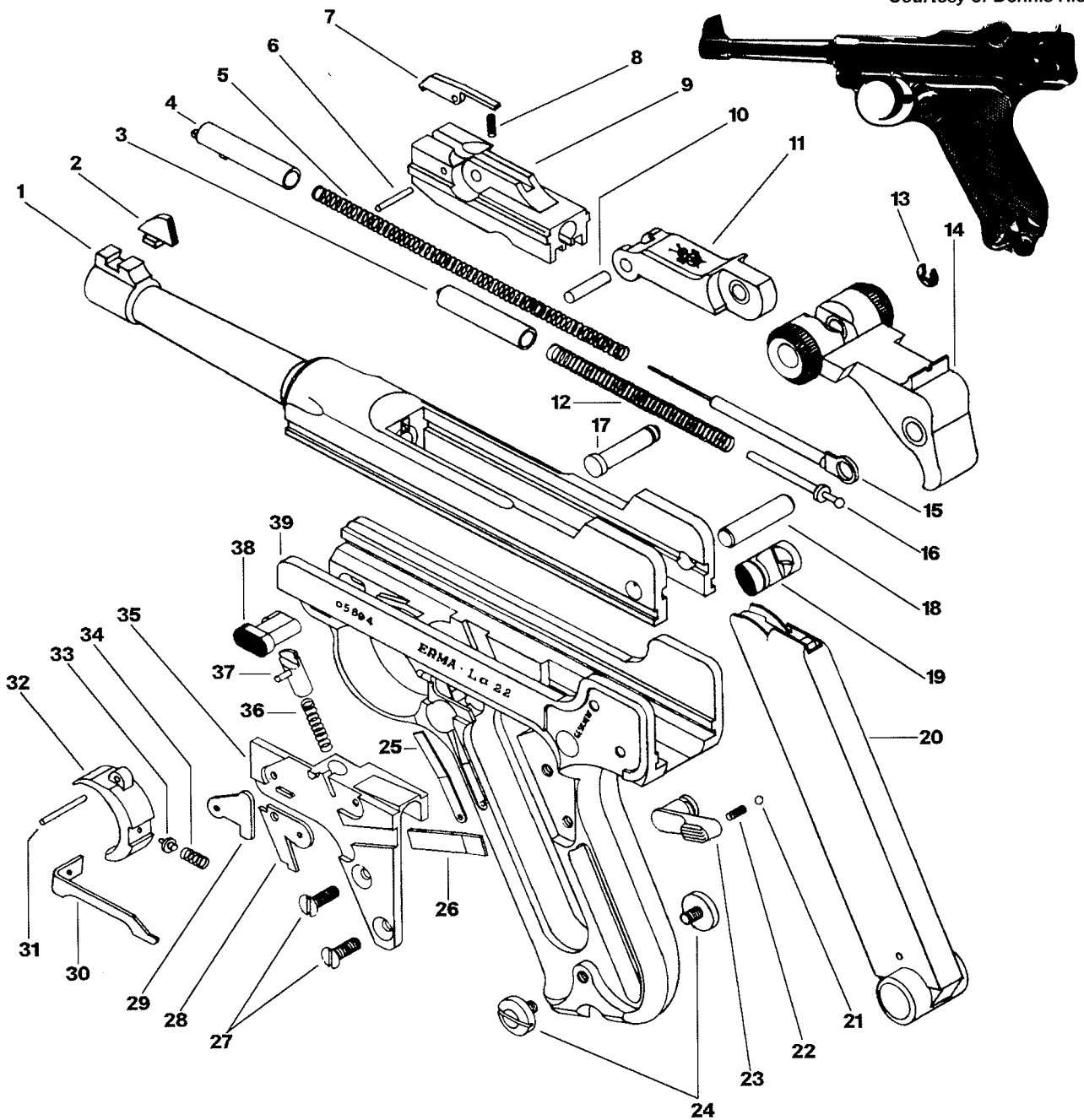
No. 2 Mk. I Revolve



1	Front Sight Blade	18	Barrel Latch	35	Hinge Pin
2	Front Sight Screw	19	Barrel Latch Screw	36	Cam Lever
3	Barrel	20	Right Grip	37	Hammer Nose
4	Cylinder Arbor Retaining Pin	21	Left Grip	38	Hammer Catch
5	Cylinder Arbor	22	Mainspring Lever Pin	39	Hammer Catch Spring
6	Extractor Nut	23	Frame	40	Hammer
7	Extractor Spring	24	Lanyard Ring	41	Hammer Swivel
8	Cylinder	25	Grip Pin	42	Hammer Swivel Pin
9	Extractor	26	Trigger	43	Hammer Catch Retaining Pin
10	Cylinder Retaining Cam	27	Stop Operating Catch Pin	44	Nose Retaining Pin
11	Cylinder Cam Screw	28	Hand	45	Mainspring
12	Extractor Lever	29	Stop Operating Catch Spring	46	Mainspring Lever
13	Extractor Lever Spring	30	Stop Operating Catch	47	Grip Screw
14	Extractor Lever Roller	31	Cylinder Stop	48	Sideplate
15	Recoil Plate Screw	32	Cylinder Stop Spring	49	Sideplate Screw
16	Recoil Plate	33	Cam Lever Screw		
17	Barrel Latch Spring	34	Hinge Pin Screws		

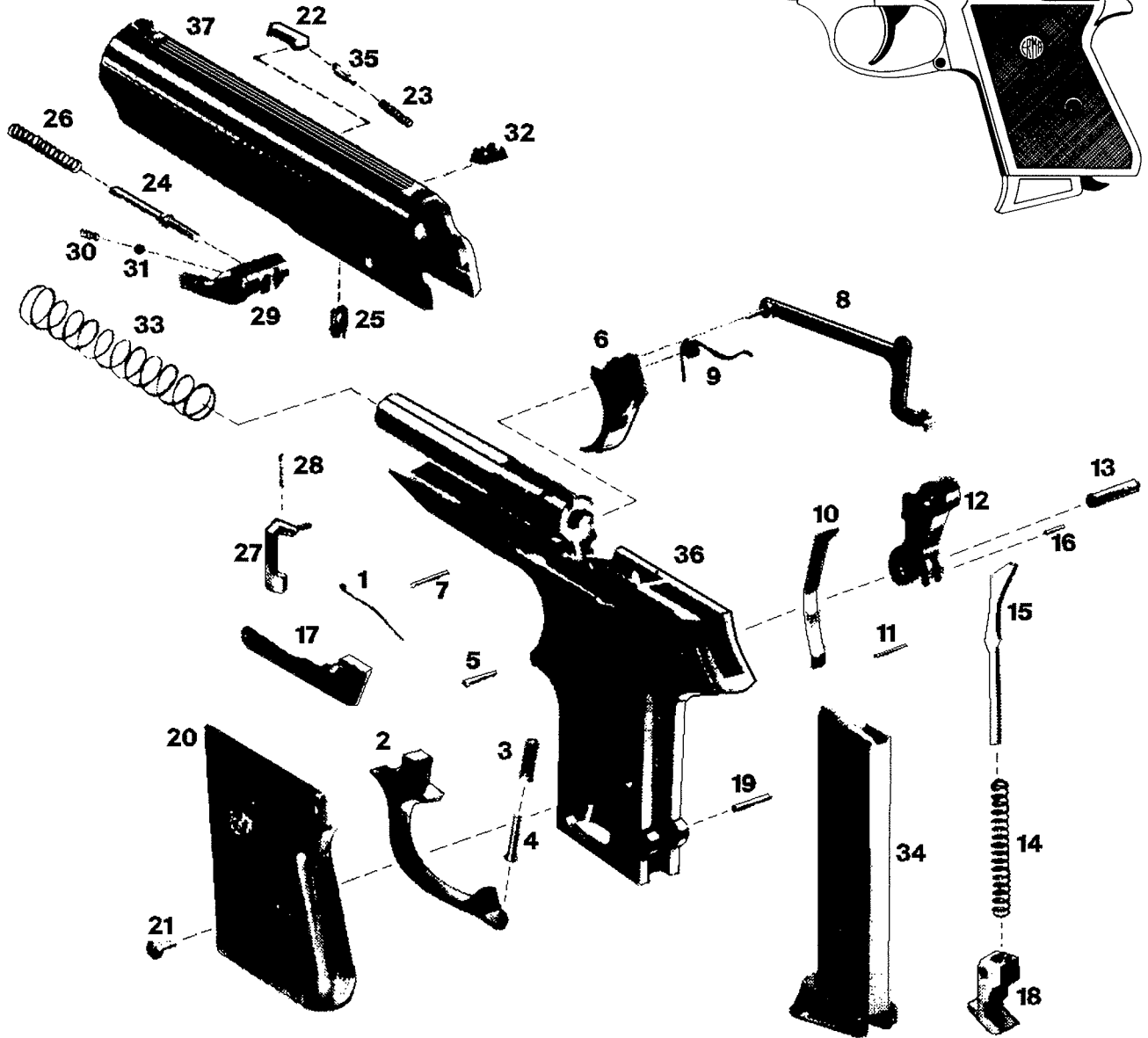
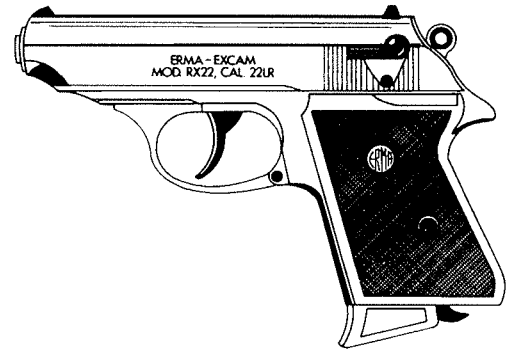
22 Auto

Courtesy of Dennis Riordan

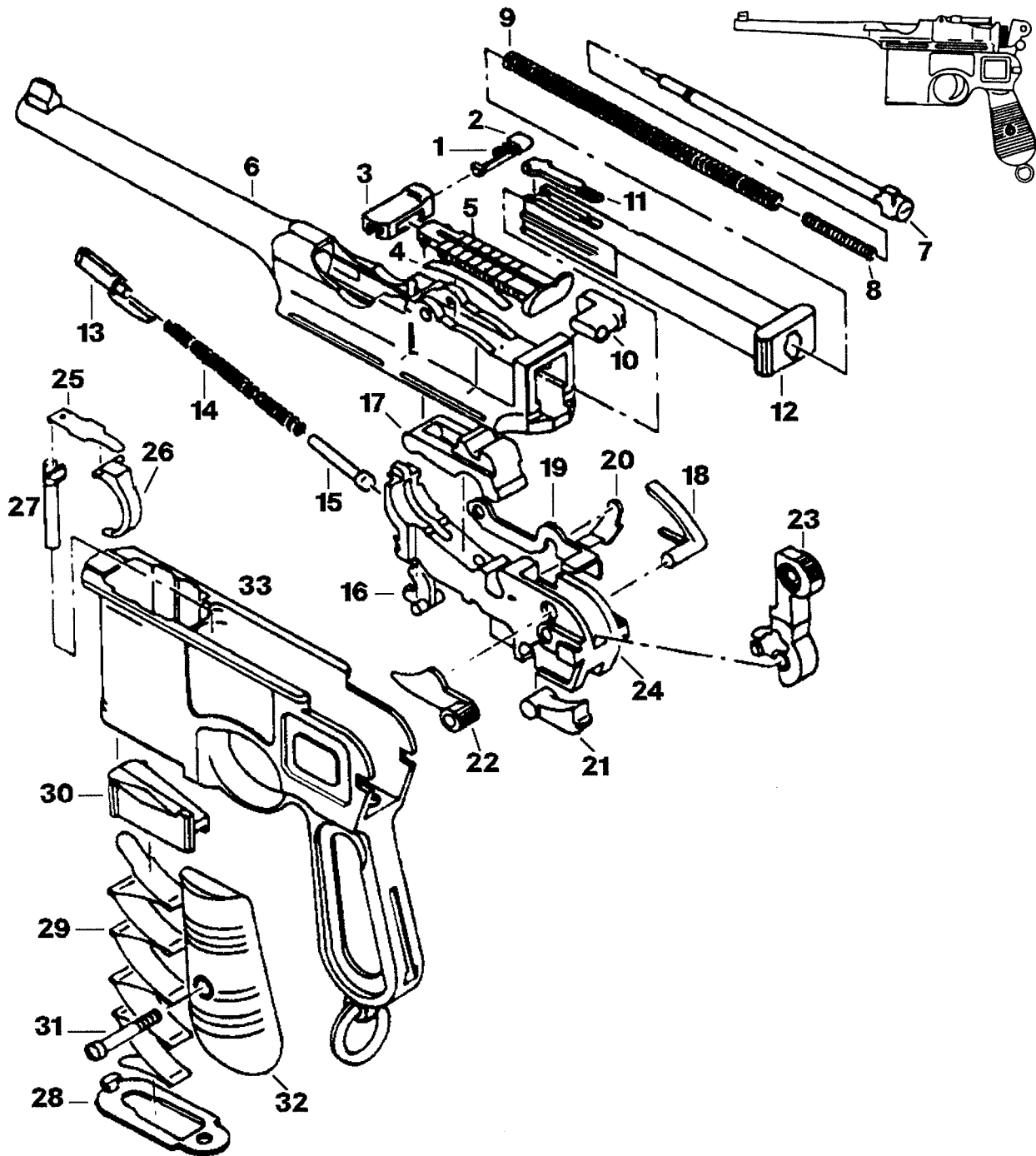


1	Barrel and Receiver	15	Firing Pin Spring Guide and Ejector	29	Disconnecter
2	Front Sight	16	Recoil Spring Guide	30	Trigger Bar
3	Recoil Spring Sleeve	17	Toggle Axle Pin	31	Trigger Pin
4	Firing Pin	18	Receiver Axle Pin	32	Trigger
5	Firing Pin Spring	19	Magazine Catch	33	Trigger Plunger
6	Extractor Pin	20	Magazine Assembly	34	Trigger Spring
7	Extractor	21	Safety Ball	35	Sear Housing
8	Extractor Spring	22	Safety Spring	36	Sear Spring
9	Breechblock	23	Safety-Lever	37	Sear
10	Breechblock Pin	24	Grip Screws	38	Locking Bolt
11	Front Toggle Link	25	Magazine Catch Spring	39	Frame
12	Recoil Spring	26	Safety Bar	Parts Not Shown	
13	Toggle Axle Lockwasher	27	Sear Housing Screws	Grips	
14	Rear Toggle Link	28	Sear Lever		

RX22 Auto



1	Leaf Spring	14	Mainspring	27	Safety Link
2	Trigger Guard	15	Mainspring Guide	28	Safety Spring
3	Lock Spring	16	Mainspring Guide Pin	29	Thumb Safety
4	Spring Pin	17	Catch Link	30	Thumb Spring
5	Guard Pin	18	Magazine Catch	31	Thumb Safety Detent Ball
6	Trigger	19	Magazine Catch Pin	32	Rear Sight
7	Trigger Pin	20	Left Grip	33	Recoil Spring
8	Trigger Bar	21	Grip Screw	34	Magazine Assembly
9	Trigger Bar Spring	22	Extractor	35	Extractor Pin
10	Sear	23	Extractor Spring	36	Frame Assembly
11	Sear Pin	24	Firing Pin	37	Slide
12	Hammer	25	Firing Pin Retainer		
13	Hammer Pin	26	Firing Pin Spring		

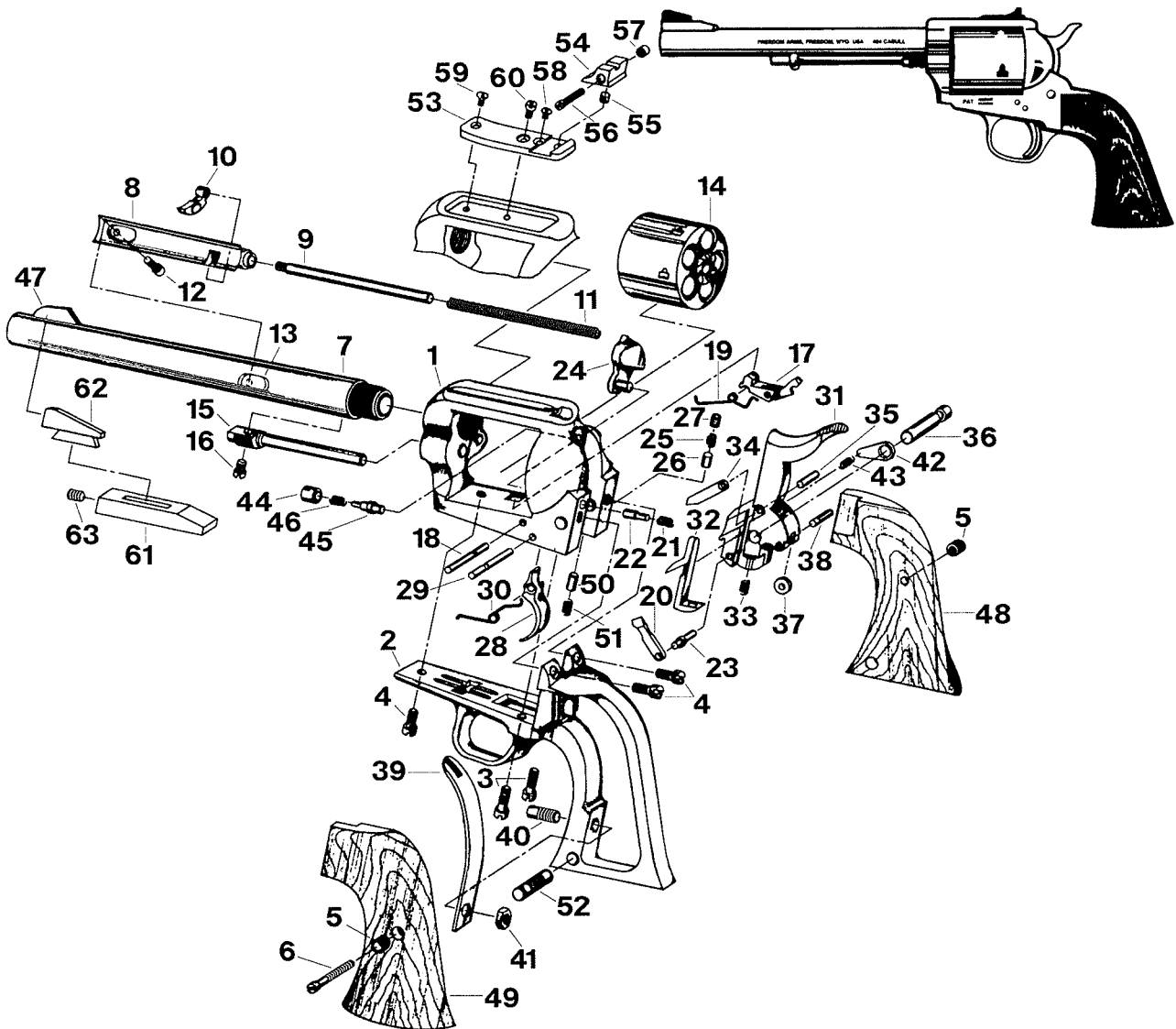


- 1 Rear Sight Slide Lock Spring
- 2 Rear Sight Slide Lock
- 3 Rear Sight Slide
- 4 Rear Sight Spring
- 5 Rear Sight
- 6 Receiver
- 7 Firing Pin
- 8 Firing Pin Spring
- 9 Recoil Spring
- 10 Bolt Stop
- 11 Extractor
- 12 Bolt

- 13 Rocker Plunger
- 14 Mainspring
- 15 Mainspring Plunger
- 16 Rocker Coupling
- 17 Bolt Locking Block
- 18 Sear Spring and Hammer Pivot
- 19 Sear Arm
- 20 Sear
- 21 Lock Frame Stop
- 22 Safety-Lever
- 23 Hammer
- 24 Lock Mechanism Frame

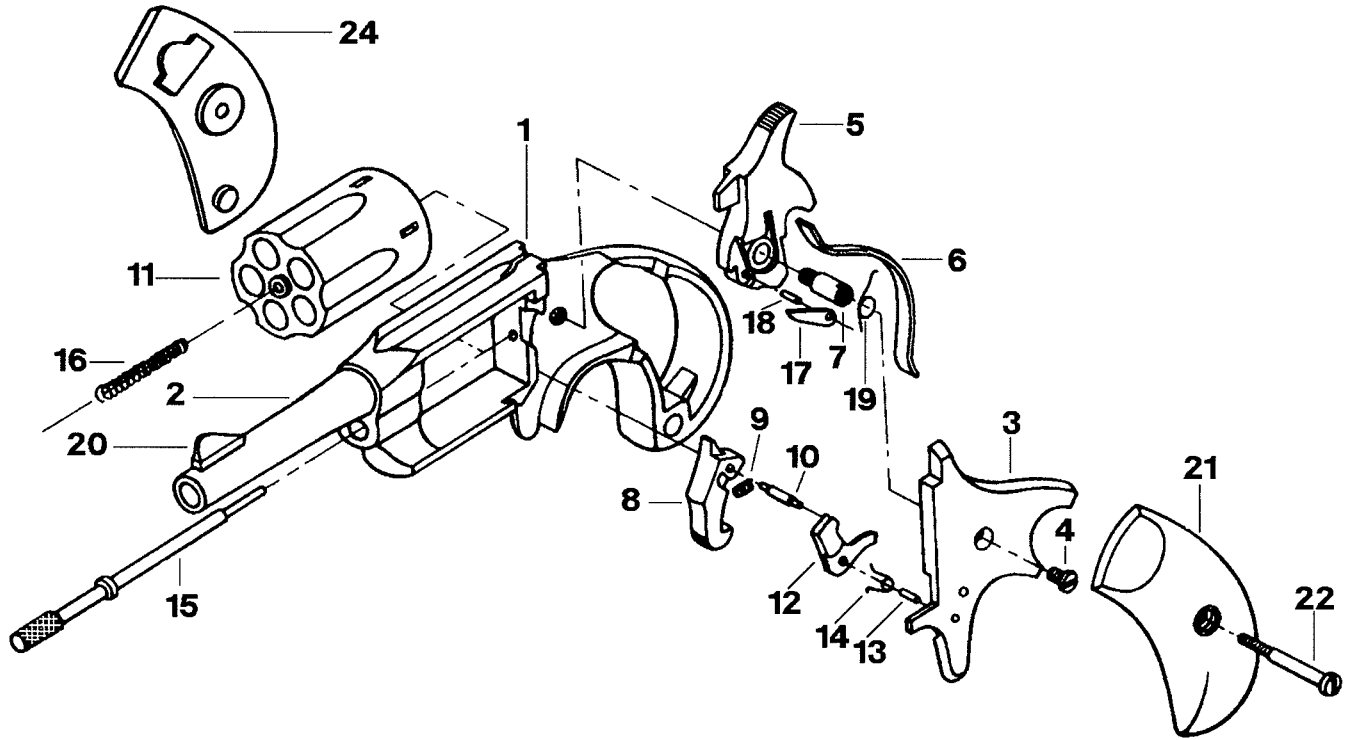
- 25 Trigger Spring
 - 26 Trigger
 - 27 Magazine Plunger
 - 28 Floorplate
 - 29 Magazine Spring
 - 30 Magazine Follower
 - 31 Grip Screw
 - 32 Left Grip
 - 33 Frame
- Parts Not Shown**
Right Grip

Casull Revolver



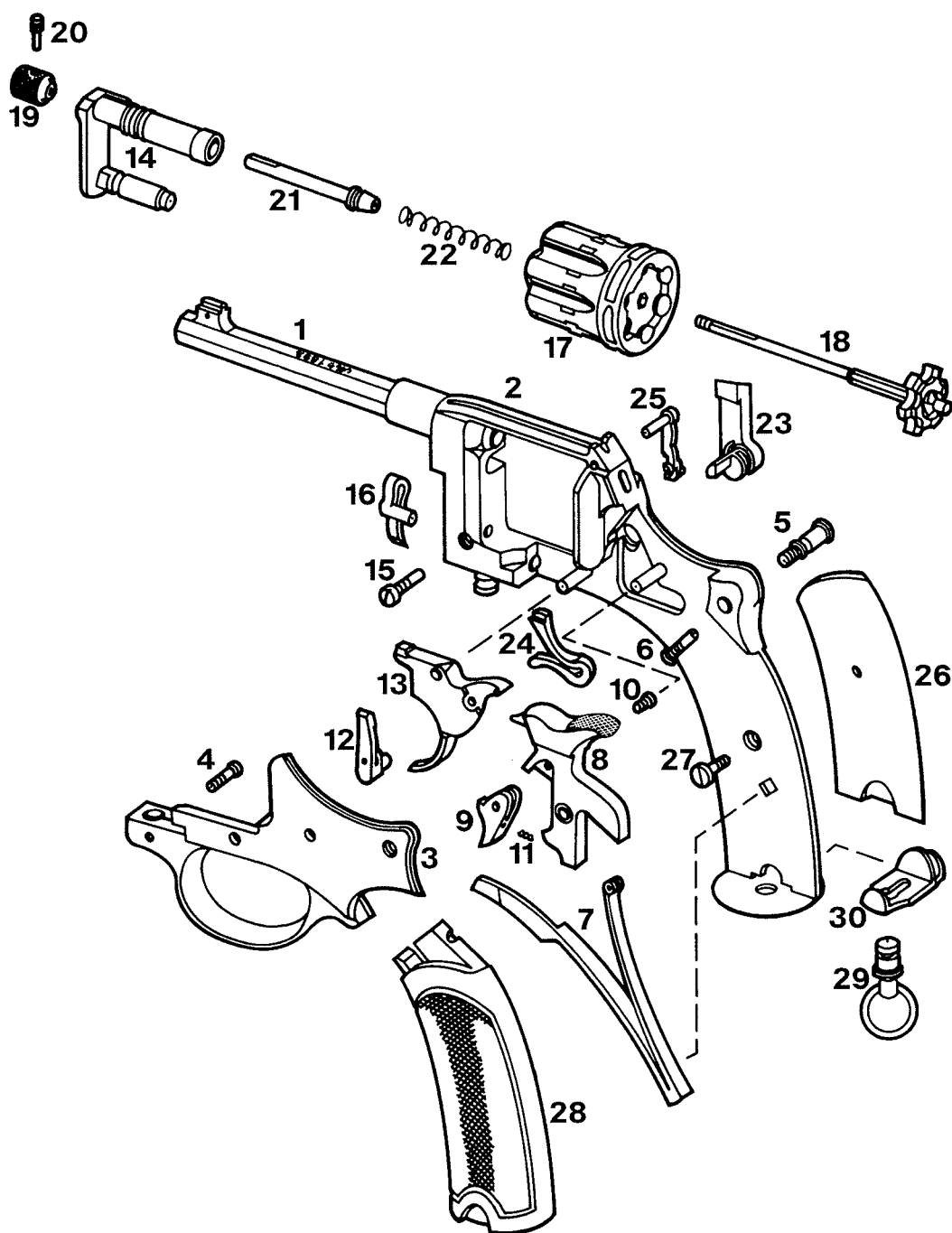
1	Cylinder Frame	22	Cylinder Hand Plunger	43	Trippet Spring
2	Grip Frame	23	Cylinder Hand Pin	44	Recoil Bushing
3	Frame Screws, Bottom	24	Loading Gate	45	Firing Pin
4	Frame Screws, Back and Bottom	25	Loading Gate Spring	46	Firing Pin Spring
5	Grip Escutcheons	26	Loading Gate Plunger	47	Front Sight
6	Grip Screw	27	Loading Gate Screw	48	Right Grip
7	Barrel	28	Trigger	49	Left Grip
8	Ejector Tube	29	Trigger Axis Pin	50	Hammer Axis Pin Retaining Pin
9	Ejector Rod	30	Trigger Spring	51	Hammer Axis Pin Retaining Spring
10	Ejector Rod Head	31	Hammer	52	Grip Locating Pin
11	Ejector Spring	32	Hammer Safety Bar	53	Spring Sight Base
12	Ejector Screw	33	Hammer Safety Bar Spring	54	Sight Leaf
13	Ejector Tube Recoil Lug	34	Hammer Safety Bar Actuator	55	Sight Adjustment Lug
14	Cylinder	35	Hammer Safety Bar Actuator Pin	56	Windage Screw
15	Cylinder Axis Pin	36	Hammer Axis Pin	57	Windage Screw Nut
16	Cylinder Axis Pin Screw	37	Hammer Roller	58	Sight Lock Screw
17	Cylinder Lock	38	Hammer Roller Pin	59	Sight Hold-Down Screw
18	Cylinder Lock Axis Pin	39	Mainspring	60	Sight Elevation Screw
19	Cylinder Lock Spring	40	Mainspring Anchor Bolt	61	Front Sight Ramp
20	Cylinder Hand	41	Mainspring Anchor Screw Nut	62	Front Sight Blade
21	Cylinder Hand Spring	42	Trippet	63	Front Sight Blade Set Screw

Mini Revolver



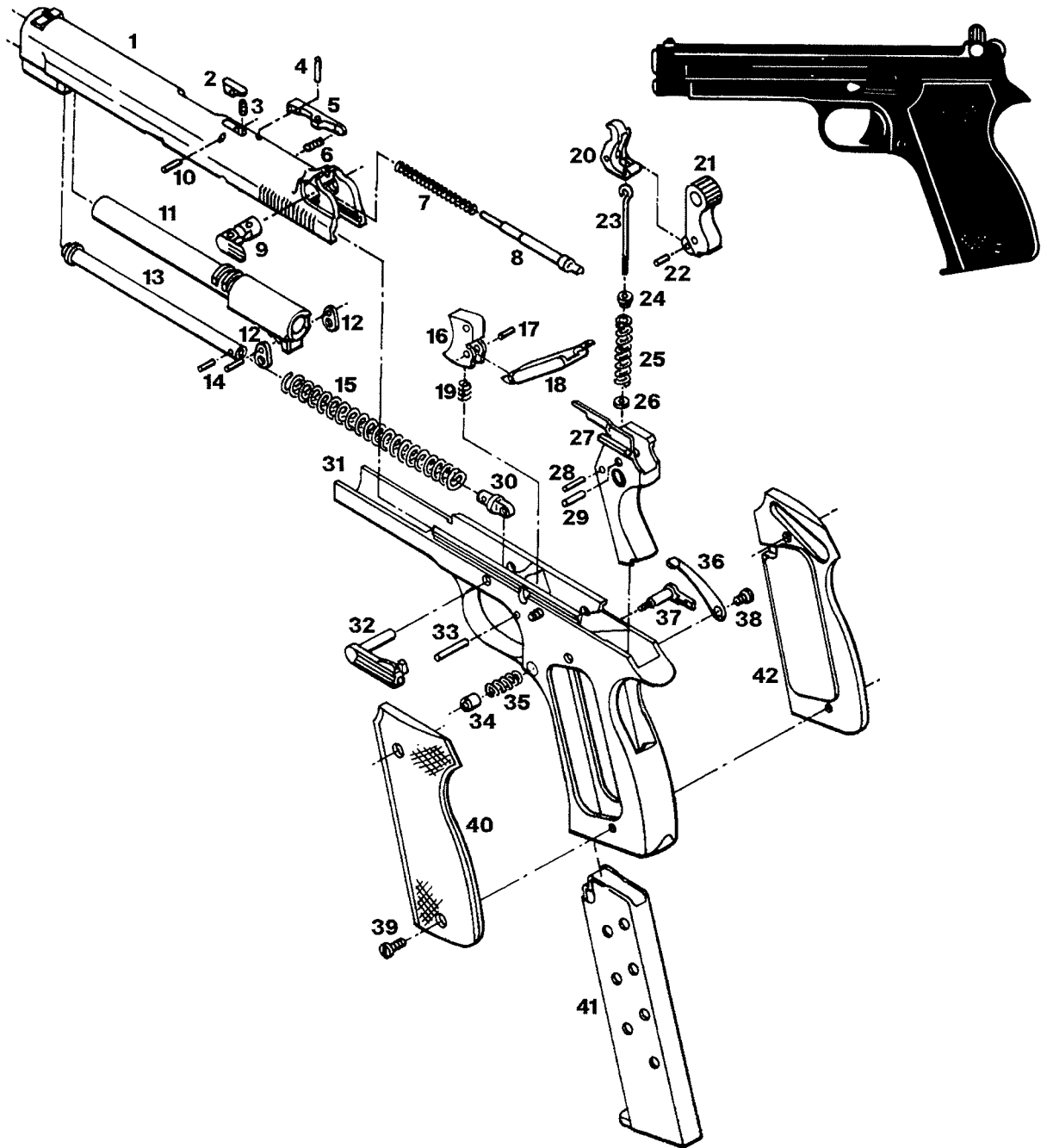
1	Receiver	12	Cylinder Lock
2	Barrel	13	Cylinder Lock Axis Pin
3	Sideplate Cover	14	Cylinder Lock Spring
4	Sideplate Cover Screw	15	Cylinder Pin
5	Hammer	16	Cylinder Pin Spring
6	Mainspring	17	Hand
7	Hammer Axis Pin	18	Hand Pin
8	Trigger	19	Hand Pin Spring
9	Trigger Spring	20	Front Sight
10	Trigger Axis Pin	21	Grip
11	Cylinder	22	Grip Screw

Model 1892 Ordnance Revolver

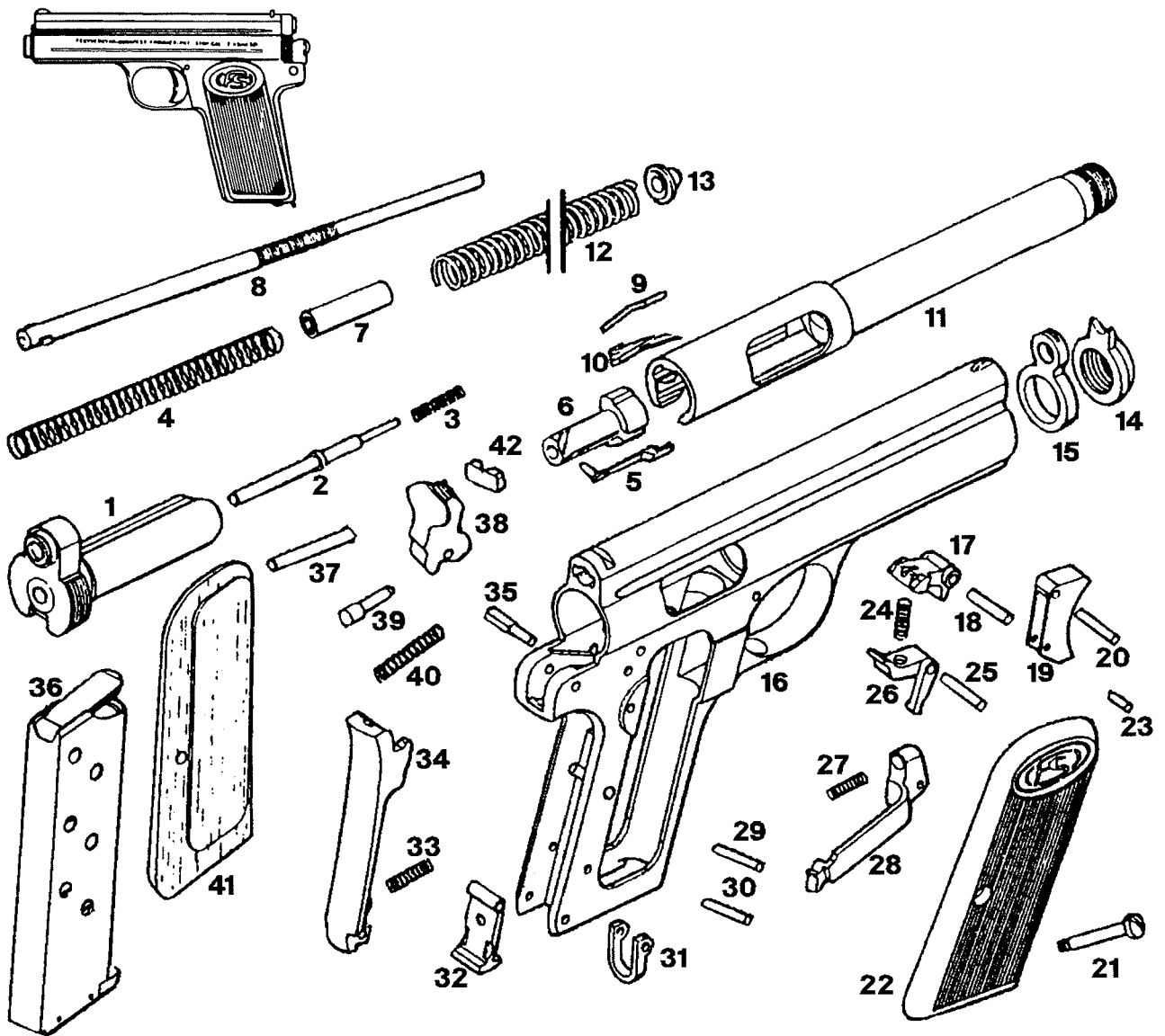


1	Barrel	11	Strut Spring	21	Extractor Bearing
2	Frame	12	Pawl	22	Extractor Spring
3	Sideplate	13	Trigger	23	Cylinder Gate
4	Sideplate Screw	14	Crane	24	Cylinder Gate Spring
5	Disassembly Screw	15	Crane Screw	25	Cylinder Catch
6	Disassembly Set-Screw	16	Crane Spring	26	Right Grip
7	Mainspring	17	Cylinder	27	Right Grip Screw
8	Hammer	18	Extractor	28	Left Grip
9	Strut	19	Extractor Knob	29	Lanyard Ring
10	Strut Screw	20	Extractor Knob Screw	30	Lanyard Ring Plate

Model 1935A Auto

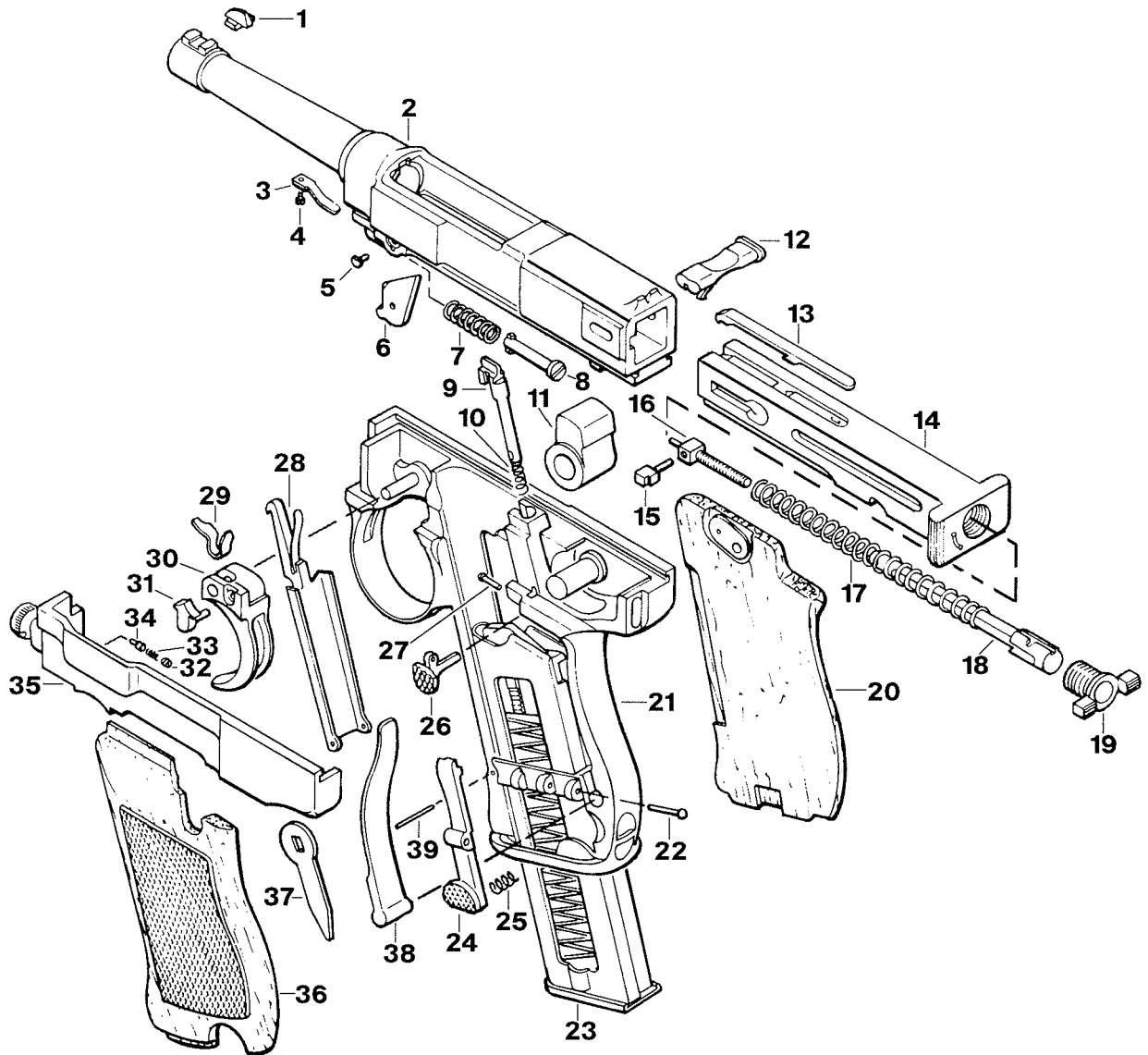


1	Slide	15	Recoil Spring	30	Recoil Spring Guide Tip
2	Cartridge Indicator	16	Trigger	31	Frame
3	Indicator Spring	17	Trigger Bar Pin	32	Slide Stop
4	Extractor Pin	18	Trigger Bar Disconnecter	33	Trigger Pin
5	Extractor	19	Trigger Bar Spring	34	Magazine Catch Nut
6	Extractor Spring	20	Sear	35	Magazine Catch Spring
7	Firing Pin Spring	21	Hammer	36	Magazine Safety
8	Firing Pin	22	Hammer Strut Pin	37	Magazine Catch
9	Safety	23	Hammer Strut	38	Magazine Safety Screw
10	Cartridge Indicator Pin	24	Sear Pressure Plate	39	Grip Screw
11	Barrel	25	Hammer Spring	40	Left Grip
12	Barrel Link	26	Hammer Strut Nut	41	Magazine
13	Recoil Spring Guide	27	Ejector/Sear Housing	42	Right Grip
14	Recoil Spring Guide and Barrel Link Pins	28	Sear Pin		
		29	Hammer Pin		



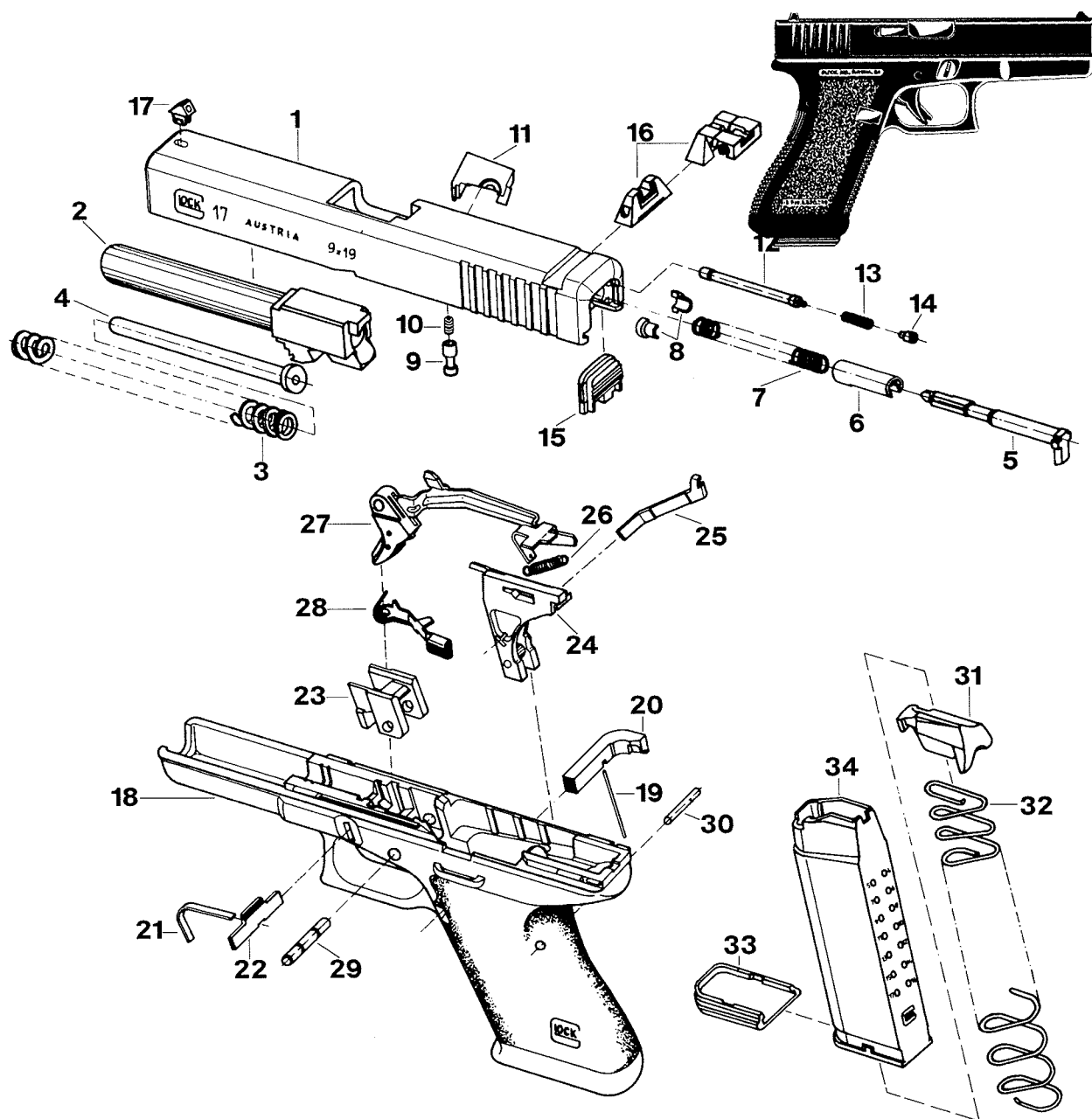
1	Bolt Body	16	Frame	31	Lanyard Loop
2	Firing Pin	17	Bolt Catch	32	Magazine Catch
3	Firing Pin Spring	18	Bolt Catch Pin	33	Grip Safety Spring
4	Bolt Return Spring	19	Trigger	34	Grip Safety
5	Extractor	20	Trigger Pin	35	Disconnecter Pin
6	Bolt Head	21	Grip Screw	36	Magazine
7	Recoil Spring Guide Sleeve	22	Right Grip	37	Hammer Pin
8	Recoil Spring Guide Assembly	23	Trigger Bar Pin	38	Hammer
9	Ejector Spring	24	Sear Spring	39	Hammer Plunger
10	Ejector	25	Sear Pin	40	Hammer Spring
11	Barrel and Extension	26	Sear	41	Left Grip
12	Recoil Spring	27	Trigger Spring	42	Rear Sight
13	Barrel Nut Retainer	28	Trigger Bar		
14	Barrel Nut	29	Magazine Catch Pin		
15	Barrel Guide	30	Grip Safety Pin		
		31	Lanyard Loop		
		32	Magazine Catch		
		33	Grip Safety Spring		
		34	Grip Safety		
		35	Disconnecter Pin		
		36	Magazine		
		37	Hammer Pin		
		38	Hammer		
		39	Hammer Plunger		
		40	Hammer Spring		
		41	Left Grip		
		42	Rear Sight		

Model 1910 Auto



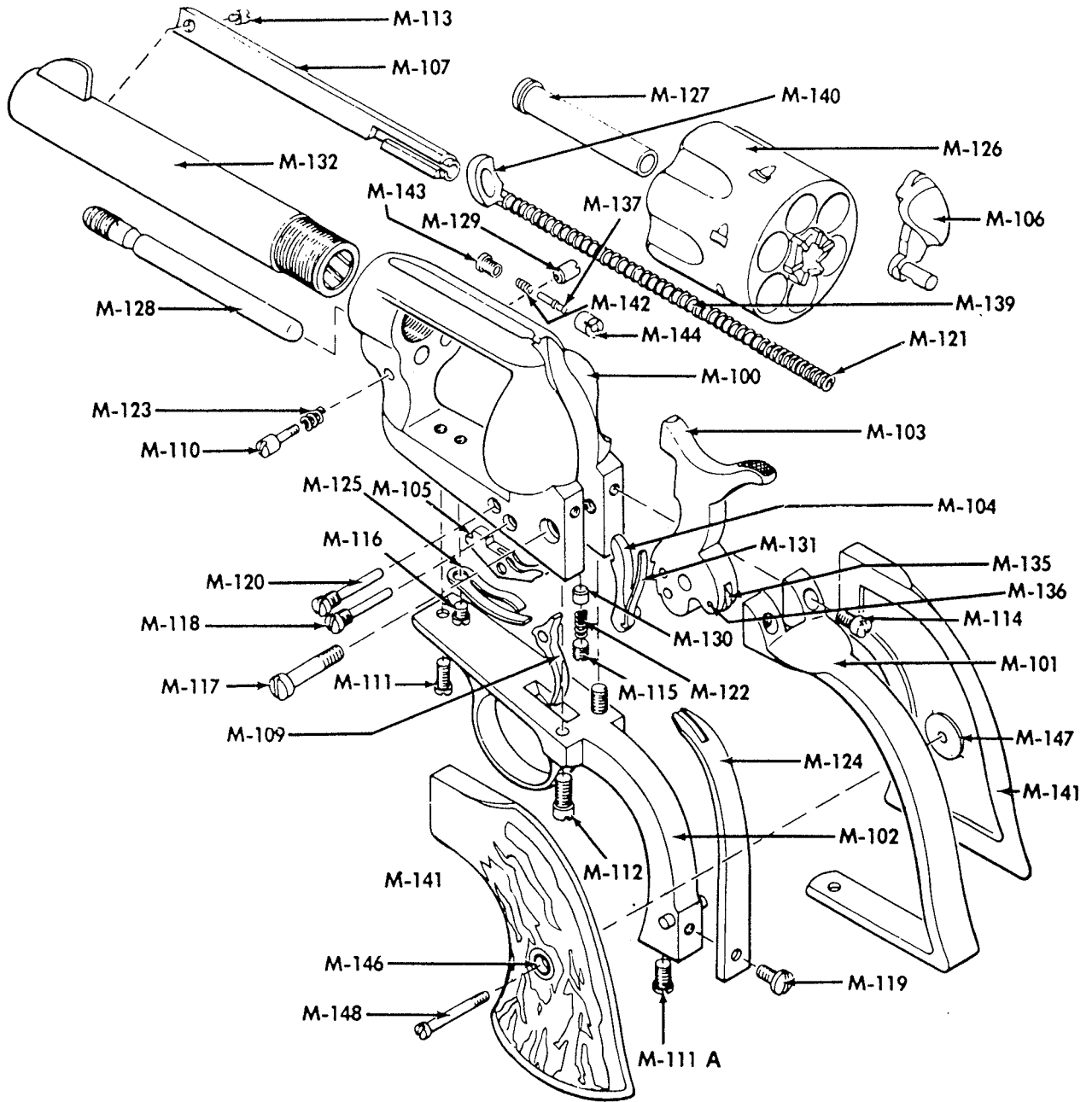
1	Front Sight	15	Firing Pin Guide	29	Trigger Spring
2	Barrel and Receiver	16	Firing Pin Head	30	Trigger
3	Sear Spring	17	Firing Pin Spring	31	Disconnecter
4	Screw	18	Firing Pin Body	32	Set-Screw
5	Sear Pin	19	Safety Catch	33	Spring
6	Sear	20	Right Grip	34	Plunger
7	Barrel Return Spring	21	Frame	35	Sideplate Assembly
8	Barrel Spring Guide	22	Magazine Catch Pin	36	Left Grip
9	Ejector and Hold-Open Catch	23	Magazine	37	Disassembly Tool
10	Hold-Open Spring	24	Magazine Catch	38	Recoil Spring
11	Locking Block	25	Magazine Catch Spring	39	Grip Safety Pin
12	Cross Key	26	Hold-Open Catch		
13	Extractor	27	Hold-Open Catch Pin		
14	Bolt	28	Grip Safety		
				Parts Not Shown	
					Takedown Screw

Model 17 Auto

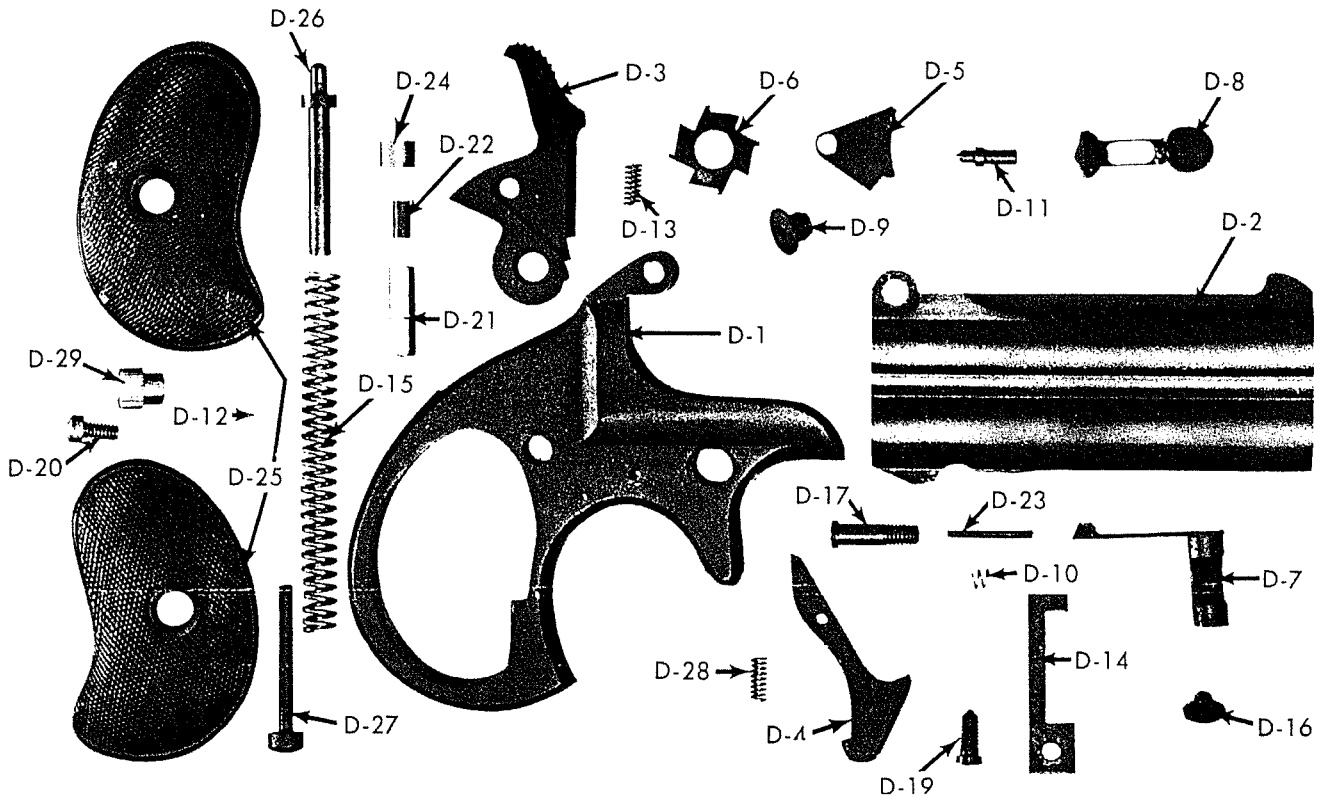


1	Slide	13	Extractor Depressor Plunger Spring	24	Trigger Mechanism Housing with Ejector
2	Barrel	14	Spring-Loaded Bearing	25	Connector
3	Recoil Spring	15	Slide Cover Plate	26	Trigger Spring
4	Recoil Spring Tube	16	Rear Sight Assembly	27	Trigger with Trigger Bar
5	Firing Pin	17	Front Sight	28	Slide Stop Lever
6	Spacer Sleeve	18	Receiver	29	Trigger Pin
7	Firing Pin Spring	19	Magazine Catch Spring	30	Trigger Mechanism Housing Pin
8	Spring Cups	20	Magazine Catch	31	Follower
9	Firing Pin Safety	21	Slide Lock Spring	32	Magazine Spring
10	Firing Pin Safety Spring	22	Slide Lock	33	Magazine Floorplate
11	Extractor	23	Locking Block	34	Magazine Tube
12	Extractor Depressor Plunger				

Single-Action Revolver

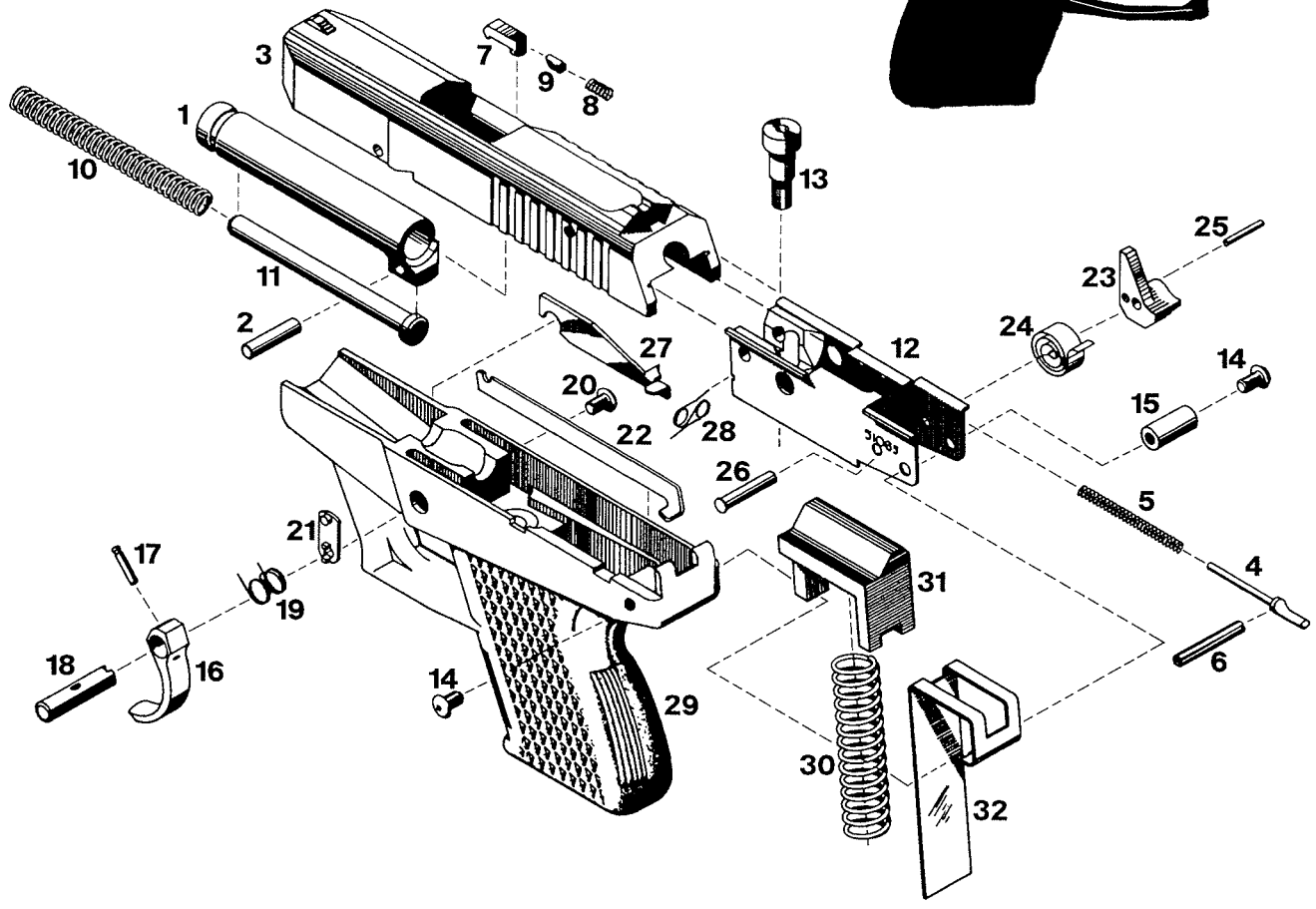


100	Frame	115	Gate Catch Screw	130	Gate Catch
101	Backstrap	116	Sear and Bolt Spring Screw	131	Hand Spring
102	Triggerguard	117	Hammer Screw	132	Barrel
103	Hammer	118	Trigger Screw	135	Main Spring Roller
104	Hand Assembly	119	Mainspring Screw	136	Main Spring Roller Pin
105	Bolt	120	Bolt Screw	137	Firing Pin
106	Gate	121	Ejector Screw	139	Ejector Rod
107	Ejector Tube	122	Gate Spring	140	Ejector Rod Head
108	Ejector Rod Assembly	123	Base Pin Catch Spring	141	Grips
109	Trigger	124	Main Spring	142	Firing Pin Spring
110	Base Pin Catch Screw	125	Sear and Bolt Spring	143	Flash PLate
111	Front Triggerguard Scw	126	Cylinder	144	Firing Pin Cap
112	Rear Triggergard Screw	127	Base Spring Bushing	145	Firing Pin Assembly
113	Ejector Tube Screw	128	Base Pin	146-48	Grip Inserts
114	Upper Backstrap Screw	129	Base Pin Catch Nut		

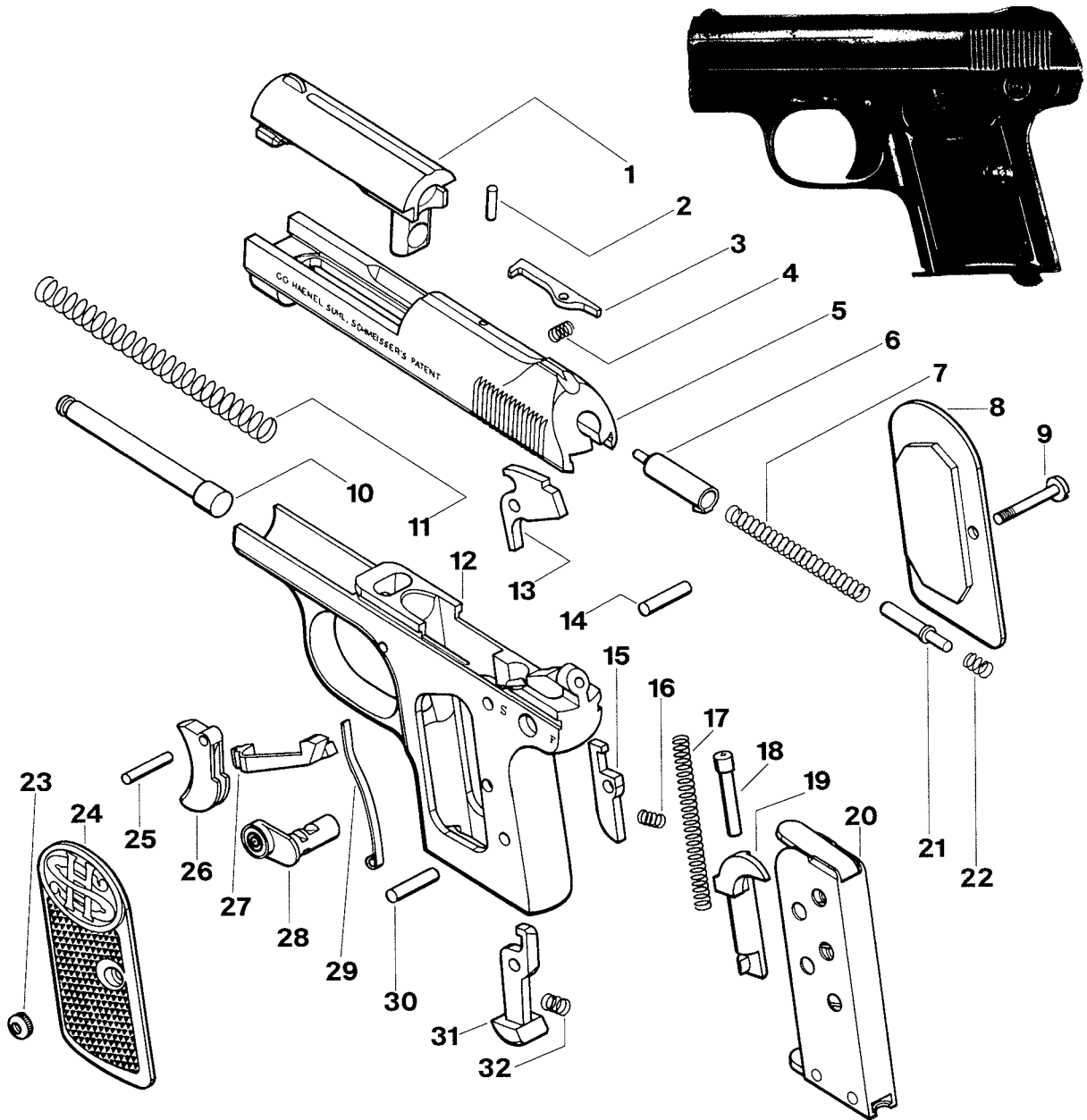


D-1	Frame	D-16	Barrel Lock Screw
D-2	Barrel	D-17	Barrel Hinge Screw
D-3	Hammer	D-18	Ejector Screw
D-4	Trigger	D-19	Selector Star Spring ScREW
D-5	Selector	D-20	Grip Screws
D-6	Selector Star	D-21	Hammer Pin
D-7	Barrel Lock	D-22	Selector Pin
D-8	Ejector	D-23	Trigger Pin
D-9	Flashplates	D-24	Selector Star Bushing
D-10	Firing Pin Spring	D-25	Grips
D-11	Firing Pin	D-26	Main Spring Guide
D-12	Grip Yoke	D-27	Main Spring Guide Pin
D-13	Selector Spring	D-28	Trigger Spring
D-14	Selector Star Spring	D-29	Grip Inserts
D-15	Main Spring		

P-10 Auto

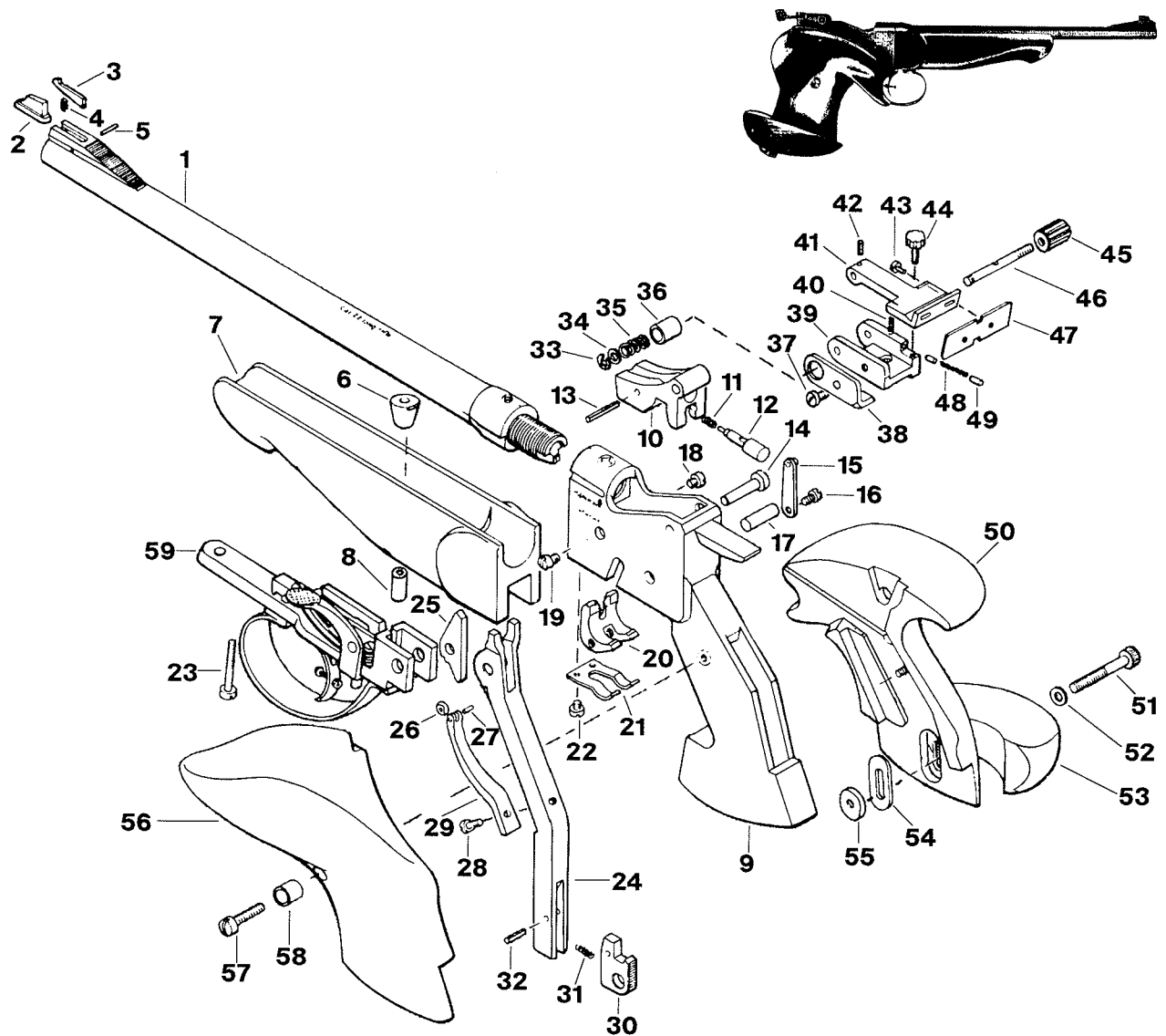


1	Barrel	12	Frame	23	Hammer
2	Barrel Pin	13	Frame Screw, Middle	24	Hammer Spring
3	Slide	14	Frame Screw, Rear	25	Hammer Pin
4	Firing Pin	15	Frame Bar	26	Hammer Axis
5	Firing Pin Spring	16	Trigger	27	Slide Stop
6	Firing Pin Pin	17	Trigger Pin	28	Slide Stop Spring
7	Extractor	18	Trigger Axis	29	Grip
8	Extractor Spring	19	Trigger Spring	30	Magazine Spring
9	Extractor Plunger	20	Trigger Screw	31	Magazine Follower
10	Recoil Spring	21	Trigger Lever	32	Magazine Plate
11	Recoil Spring Guide	22	Trigger Bar		



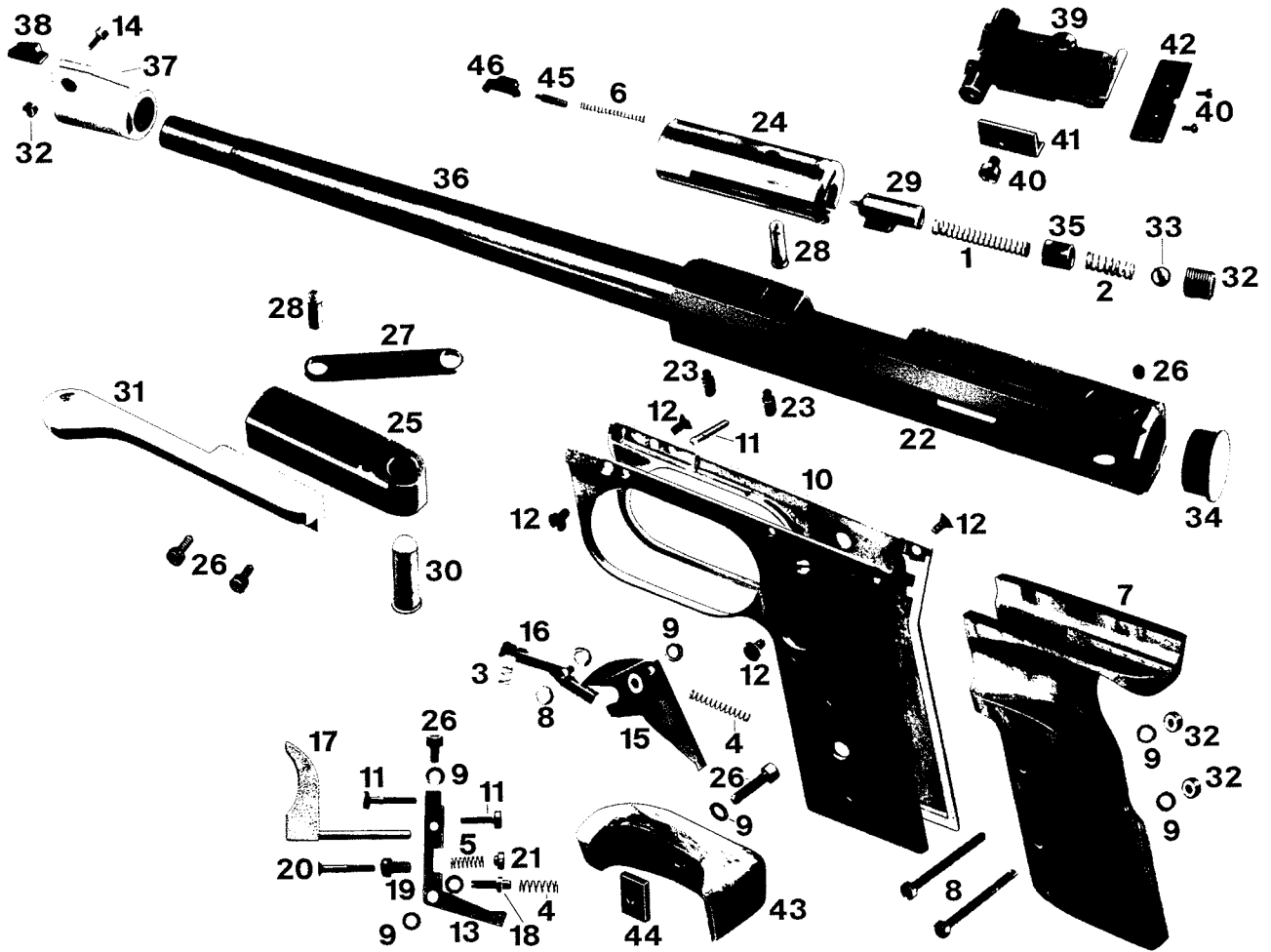
1	Barrel	17	Sear Spring
2	Extractor Pin	18	Sear Spring Plunger
3	Extractor	19	Sear Spring Housing
4	Extractor Spring	20	Magazine
5	Slide	21	Signal Pin
6	Firing Pin	22	Signal Pin Spring
7	Mainspring	23	Grip Escutcheon
8	Right Grip	24	Left Grip
9	Grip Screw	25	Trigger Pin
10	Recoil Spring Guide	26	Trigger
11	Recoil Spring	27	Trigger Bar
12	Frame	28	Safety
13	Sear	29	Trigger Bar Spring
14	Sear Pin	30	Magazine Catch Pin
15	Magazine Safety	31	Magazine Catch
16	Magazine Safety Spring	32	Magazine Catch Spring

Model 103 Single Shot



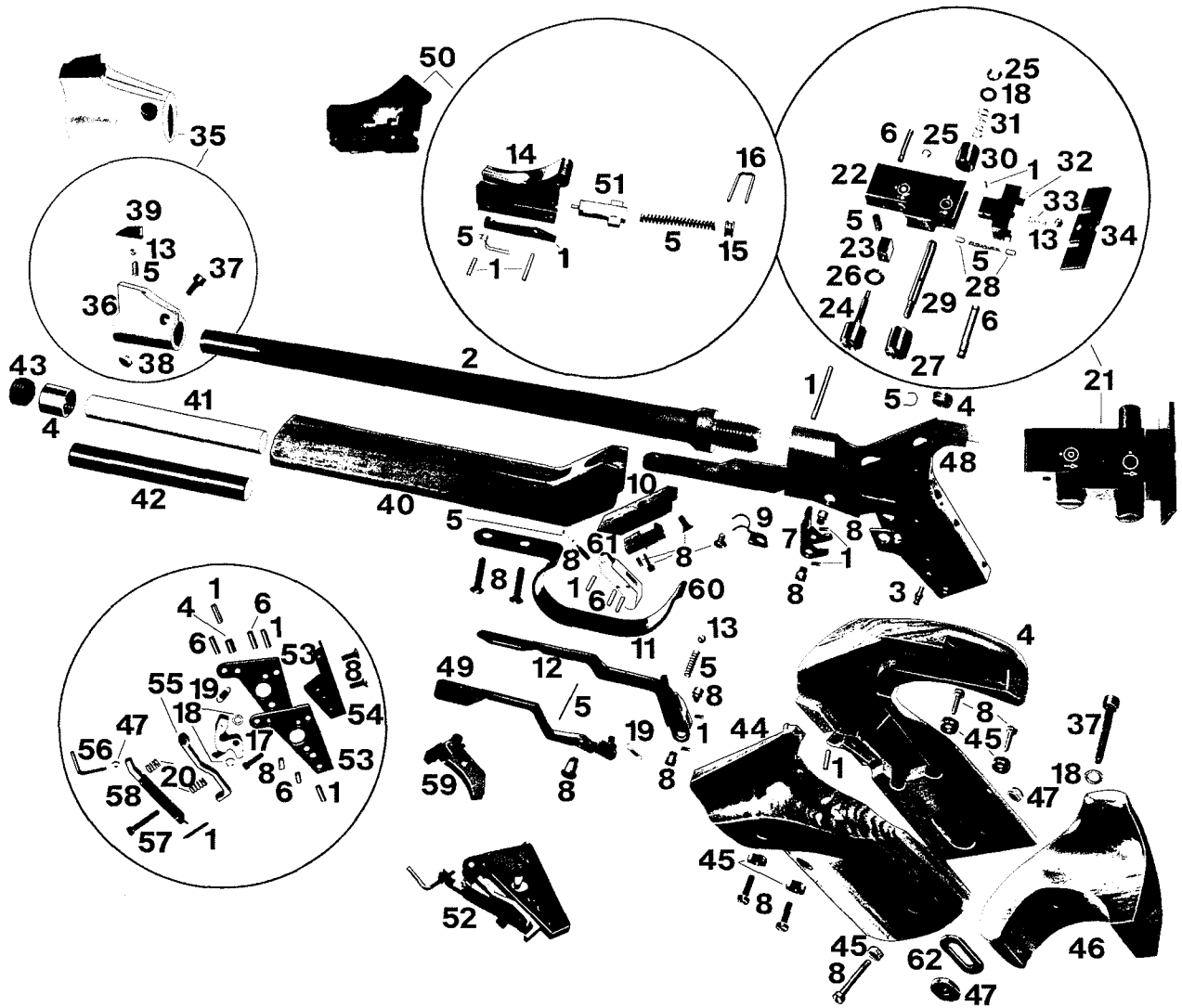
1	Barrel	21	Extractor Spring	41	Sight Leaf
2	Front Sight Blade	22	Extractor Spring Screw	42	Retainer Pin
3	Front Sight Latch	23	Front Guard Screw	43	Sight Blade Screw
4	Sight Latch Spring	24	Lever	44	Sight Elevating Screw
5	Latch Hinge Pin	25	Hammer	45	Windage Screw
6	Barrel Lug	26	Spring Roller	46	Sight Leaf Hinge
7	Forestock	27	Roller Pin	47	Sight Blade
8	Bushing	28	Mainspring Retaining Screw	48	Detent Spring
9	Frame	29	Mainspring	49	Detent
10	Breechblock	30	Lever Latch	50	Right Grip
11	Firing Pin Spring	31	Latch Spring	51	Heel Support Screw
12	Firing Pin	32	Latch Pin	52	Washer
13	Firing Pin Retaining Pin	33	C-Washer	53	Heel Support
14	Breechblock Hinge Pin	34	Washer	54	Elongated Washer
15	Hinge Pin Retaining Spring	35	Spring	55	Nut
16	Spring Retaining Screw	36	Nut	56	Left Grip
17	Cross Pin	37	Sight Retainer Screw	57	Grip Screw
18	Right Extractor Screw	38	Retainer Plate	58	Bushing
19	Left Extractor Screw	39	Sight Base	59	Trigger Assembly
20	Extractor	40	Sight Leaf Spring		

Model 120 Single Shot



1	Mainspring	24	Breech
2	Locking Spring	25	Locking Piece
3	Sear Spring	26	Allen Screws
4	Springs	27	Connecting Piece
5	Let-Off Spring	28	Hinge Pin
6	Extractor Spring	29	Firing Pin
7	Grip	30	Support Pin
8	Grip Screws	31	Breech Lever
9	Washers	32	Nuts
10	Frame	33	Ball
11	Pins	34	End Cover
12	Counter-Sunk Screws	35	Mainspring Support
13	Trigger Bar	36	Barrel
14	Allen Set Screw	37	Front Sight Mounting
15	Striking Piece	38	Front Sight
16	Sear	39	Rear Sight
17	Trigger Latch	40	Screws
18	Adjustment Screw	41	Fixation Piece
19	Let-Off Screw	42	Rear Sight Blade
20	Let-Off Spring Screw	43	Hand Support
21	Hexagonal Nut	44	Nut Disc
22	Breech Housing	45	Extractor Bolt
23	Barrel Screws	46	Extractor

Model 150 Single Shot

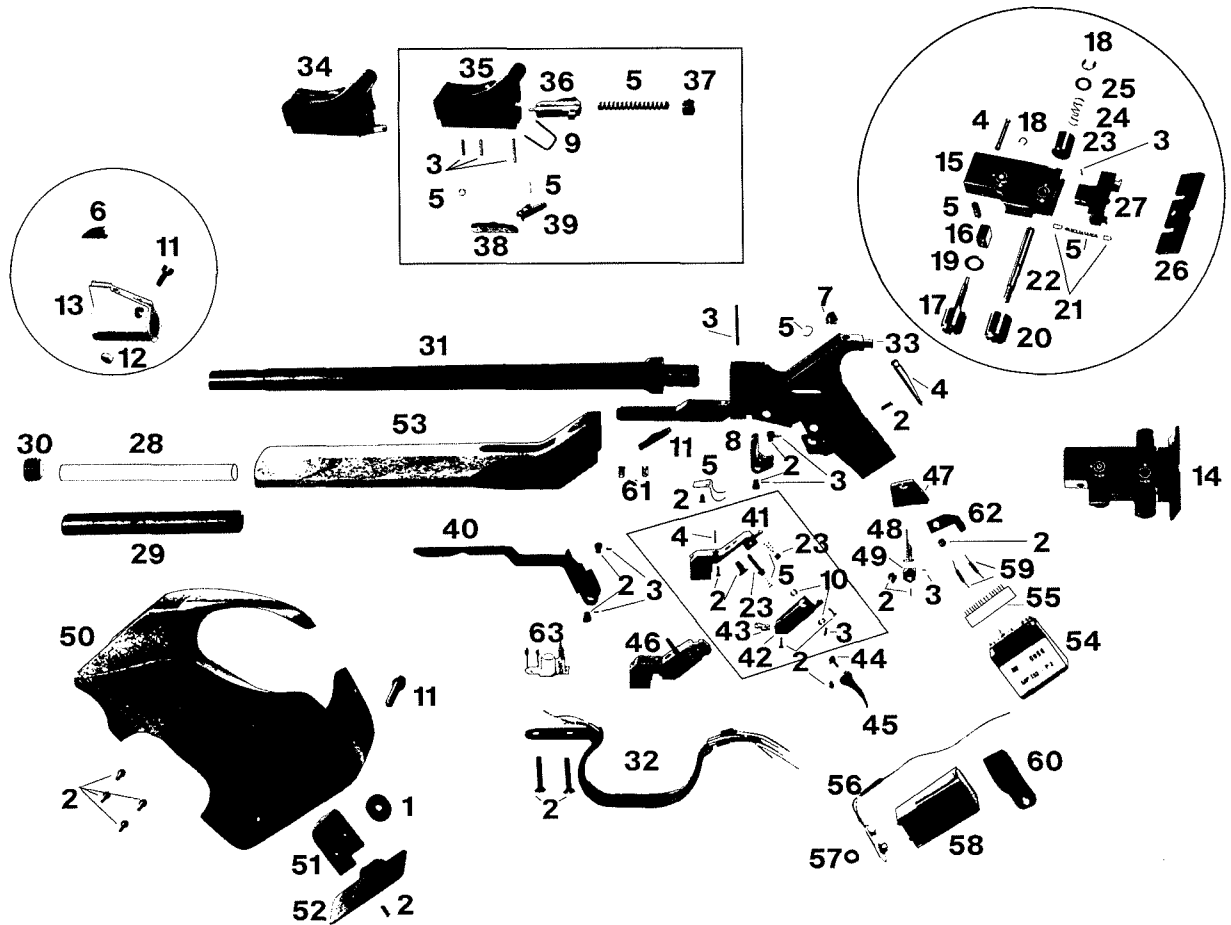


1	Pins	23	Elevation Piece	45	Screw Guides
2	Barrel	24	Micro-Screw	46	Hand Support
3	Spring Pin	25	Benzing Washers	47	Nuts
4	Annulus	26	Special Washer	48	Receiver
5	Springs	27	Micro-Nut	49	Trigger Cocking Lever
6	Bolts	28	Click Pins	50	Breech, Complete
7	Ejector	29	Windage Axle	51	Firing Pin
8	Screws	30	Spring Housing	52	Hair Trigger, Complete
9	Ejector Spring	31	Spring for Windage	53	Trigger Plates
10	Trigger Sear	32	Rear Sight Leaf	54	Trigger Base
11	Trigger Guard	33	Spring for Rear Sight Blade	55	Trigger Sear
12	Breech Lever	34	Rear Sight Blade	56	Short Lever
13	Balls	35	Front Sight Mounting, Complete	57	Trigger Spring Screw
14	Breech	36	Front Sight Mounting	58	Lever
15	Spring Ring	37	Allen Screws	59	Trigger Latch, Complete
16	Clamp	38	Female Screw	60	Trigger Latch
17	Hammer	39	Front Sight	61	Sliding Piece
18	Washers	40	Forend	62	Metal Insertion
19	Small Spring	41	Insertion		
20	Trigger Springs	42	Extra Weight		
21	Rear Sight, Complete	43	Forend Screw		
22	Rear Sight Base	44	Grips		

Parts Not Shown

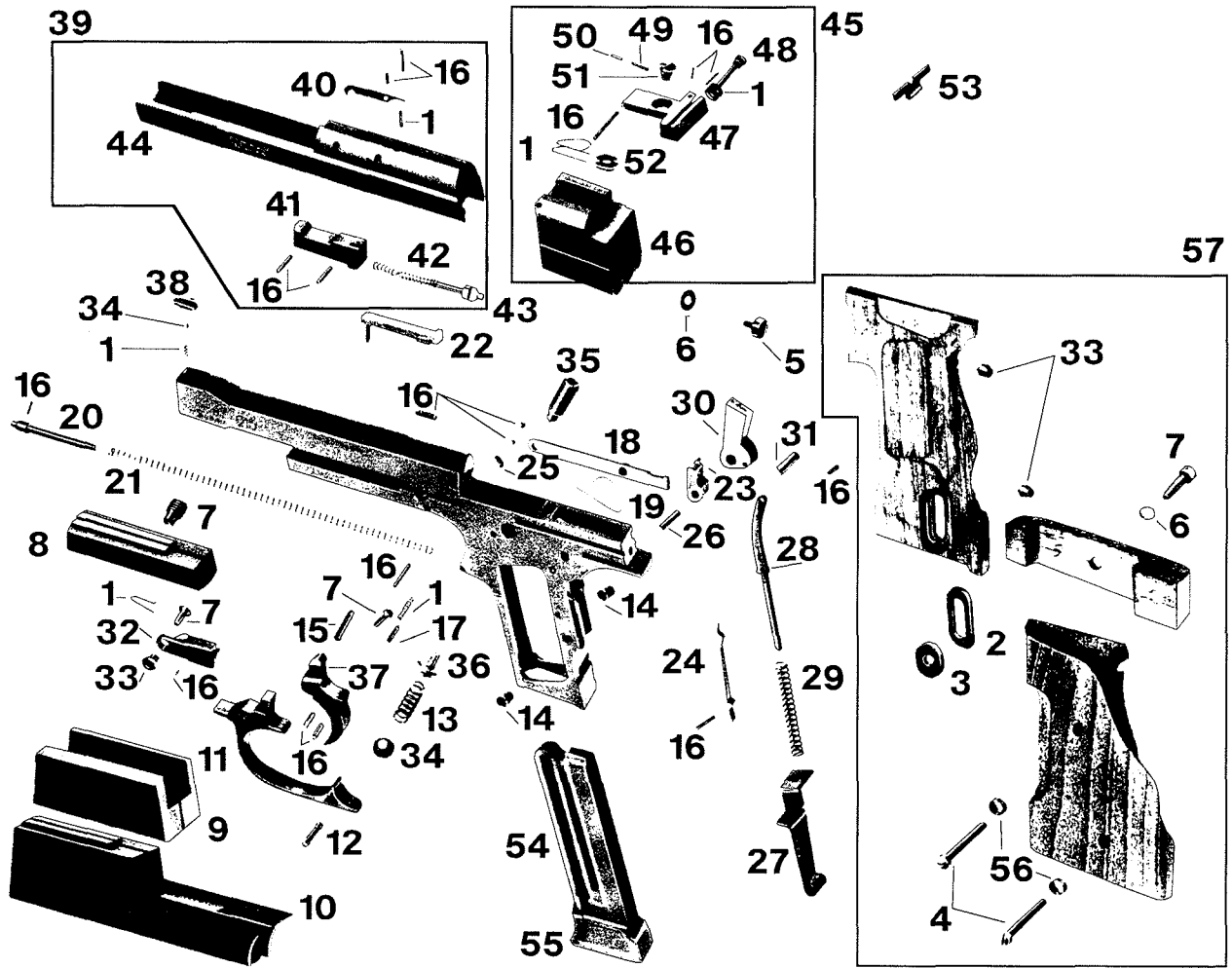
- Long Screw
- Strong Trigger Spring
- Lever, Complete

Model 152 Single Shot



1	Nut	23	Spring Housing	45	Trigger Latch
2	Screws	24	Spring for Windage	46	Mechanical Part of Trigger, Complete
3	Pins	25	Washer	47	Support of Magnet
4	Bolts	26	Rear Sight Blade	48	Core
5	Springs	27	Rear Sight Leaf	49	Adjusting Angle
6	Front Sight	28	Insertion	50	Target Grip
7	Annulus	29	Extra Weight	51	Guard
8	Ejector	30	Forend Screw	52	Cover Plate
9	Clamp	31	Barrel	53	Forend
10	Ball Bearings	32	Trigger Guard, Complete	54	Electronic Print P 2
11	Allen Screws	33	Receiver	55	Plug Socket
12	Female Screw	34	Breech Complete	56	Press Button Contacts
13	Front Sight Mounting	35	Breech	57	O-Washer
14	Rear Sight Complete	36	Firing Pin	58	Battery
15	Rear Sight Base	37	Spring Washer	59	Black Strands
16	Elevation Piece	38	Catch Release	60	Battery Extractor Strap
17	Micro-Screw	39	Catch	61	Insulation Pipes
18	Benzing Washer	40	Breech Lever, Complete	62	Wire Stopper
19	Special Washer	41	Trigger Base	63	Switch and Indicator Print
20	Micro-Nut	42	Trigger Support		
21	Click-Pins	43	Switch Cell		
22	Windage Axle	44	Trigger Fixation		

Model 208/211 and 214/215 Auto

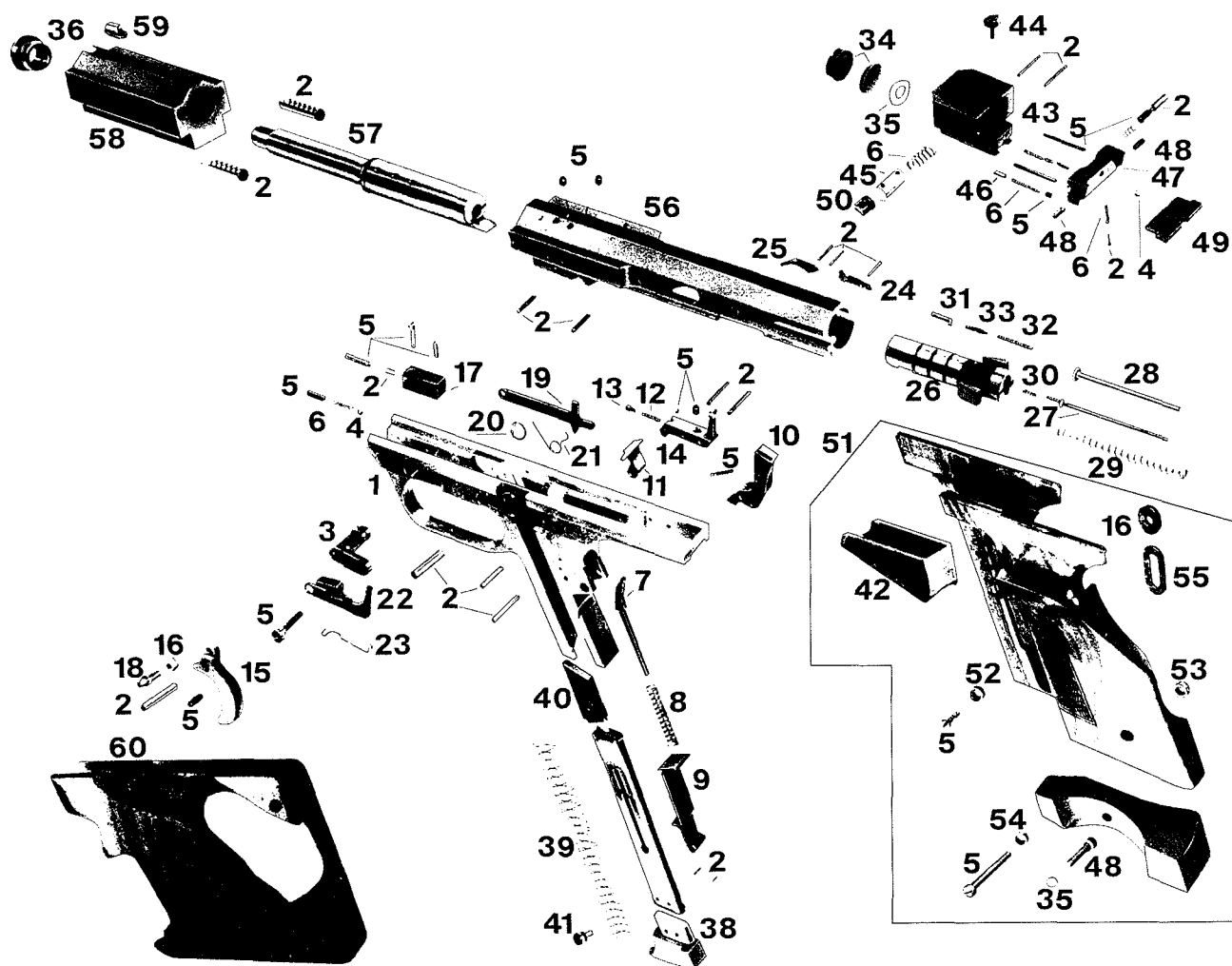


1	Springs	23	Sear	45	Rear Sight, Complete
2	Metal Insertion	24	Sear Spring	46	Rear Sight Support
3	Nut Disc	25	Sear Screw	47	Rear Sight Leaf
4	Grip Plate Screws	26	Sear Pin	48	Adjustable Windage Screw
5	Fixing Screw	27	Magazine Holder	49	Click Spring
6	Washers	28	Hammer Strut	50	Click Bolt
7	Screws	29	Mainspring	51	Adjustable Elevation Screw
8	Normal Weight	30	Hammer	52	Adjustable Elevation Nut
9	Heavy Weight	31	Hammer Bolt	53	Rear Sight Blade
10	Extra Heavy Weight	32	Blocking Piece	54	Magazine, Complete
11	Trigger Guard	33	Nuts	55	Magazine Extension
12	Trigger Guard Pin	34	Balls	56	Foundations
13	Trigger Guard Spring	35	Pressure Piece	57	Grips, Complete
14	Annulus	36	Safety		
15	Trigger Pin	37	Trigger Latch, Complete		
16	Pins	38	Front Sight		
17	Trigger Screw	39	Breech, Complete		
18	Trigger Bar	40	Extractor		
19	Trigger Bar Spring	41	Firing Pin Support		
20	Spring Pin	42	Firing Pin Spring		
21	Recuperator Spring	43	Firing Pin		
22	Ejector	44	Breech		

Parts Not Shown

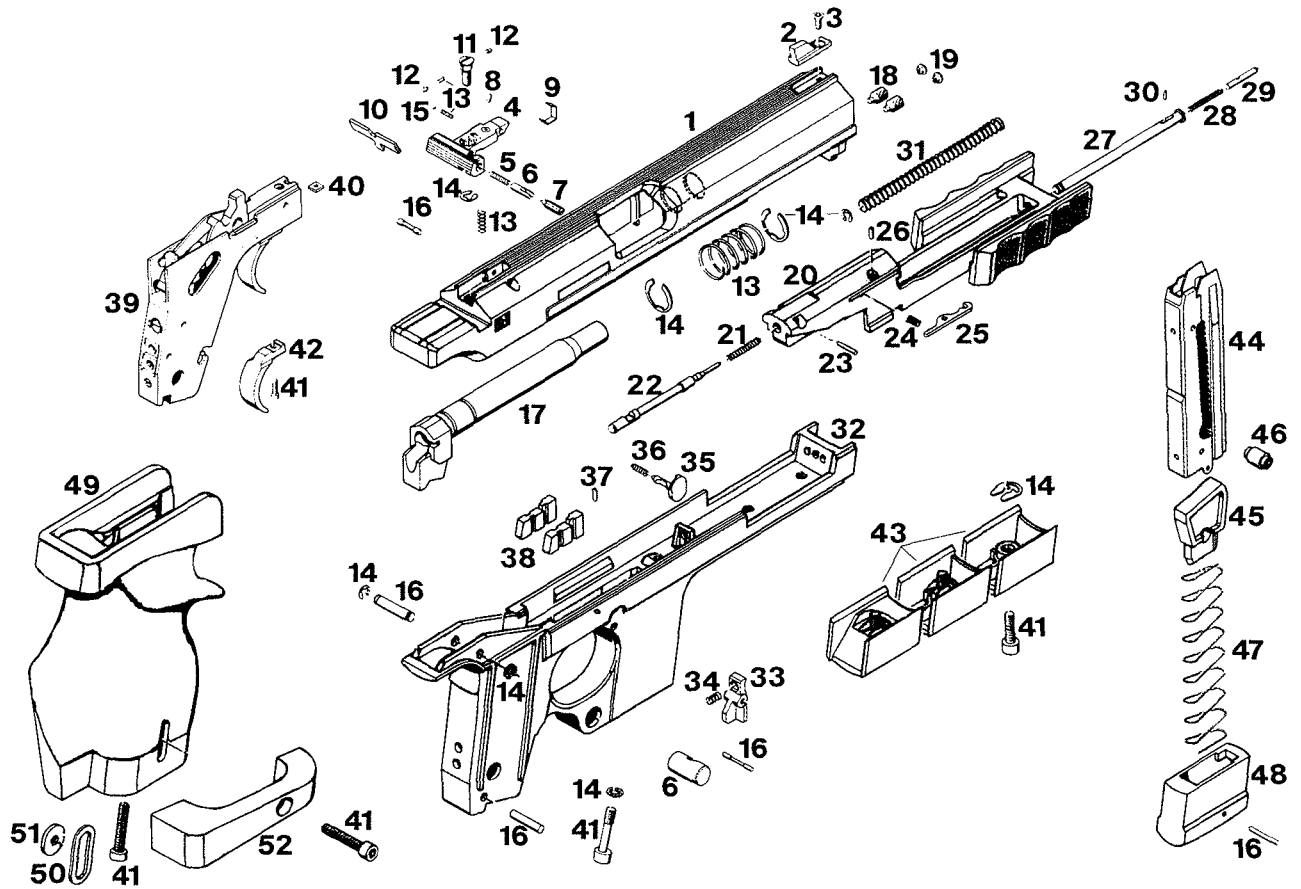
- Short Trigger Latch, Complete
- Magazine Feeder
- Magazine Support
- Slide
- Magazine Spring

Model 232 Auto

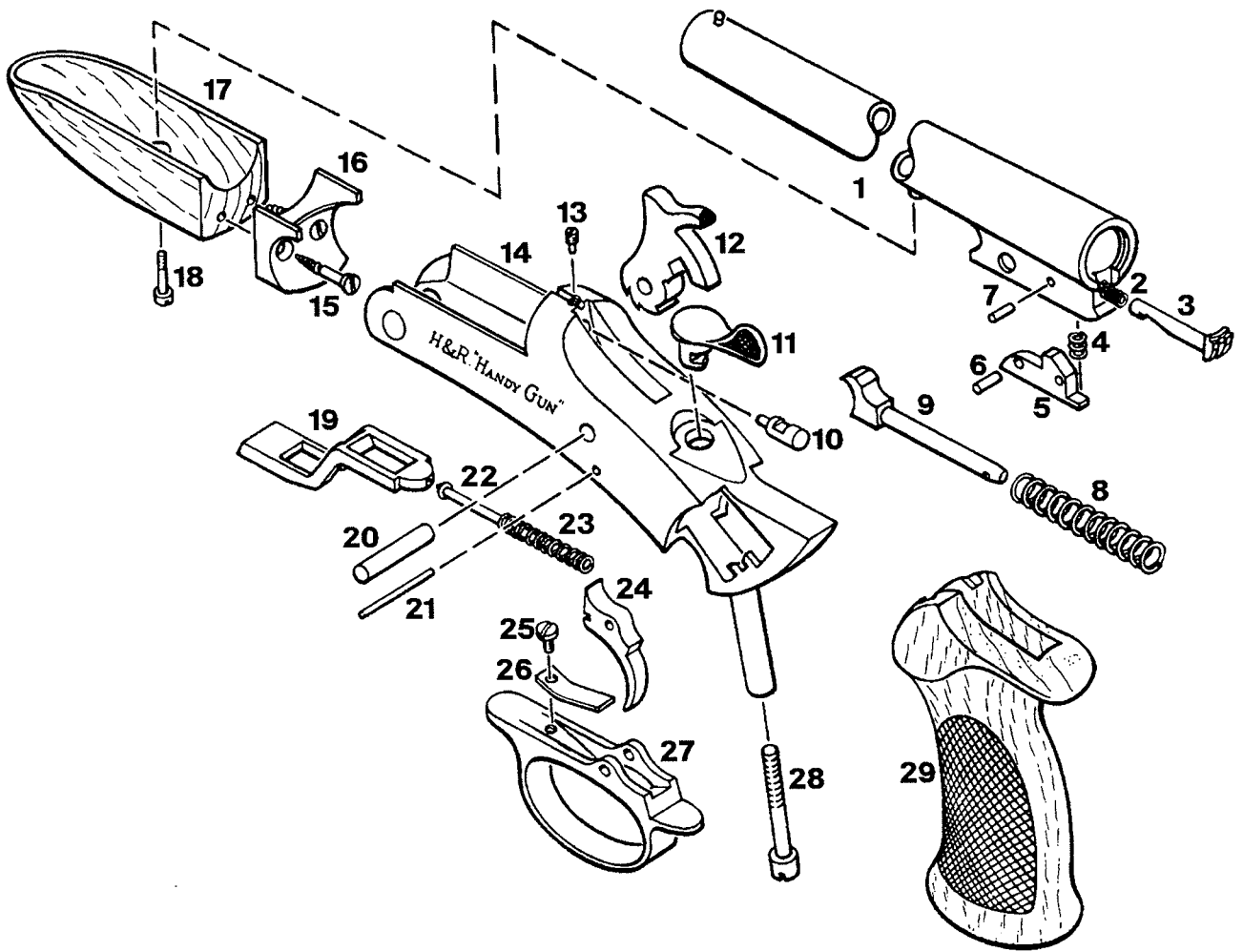


1	Frame	21	Trigger Bar Spring	41	Feeder Button
2	Pins	22	Breech Catch	42	Rubber Wedge
3	Locking Lever	23	Breech Catch Spring	43	Rear Sight
4	Balls	24	Disconnecter	44	Elevation Screw
5	Screws	25	Ejector	45	Pivot Pin
6	Springs	26	Breech	46	Click Pin
7	Hammer Strut	27	Firing Pin	47	Rear Sight Support
8	Mainspring	28	Firing Pin Guide	48	Allen Screw
9	Magazine Catch	29	Recoil Spring	49	Rear Sight Blade
10	Hammer	30	Firing Pin Spring	50	Windage Screw
11	Trigger Sear	31	Extractor	51	Adjustable Grips
12	Sear Spring	32	Extractor Spring	52	Screw Guide
13	Sear Spring Screw	33	Extractor Spring Pin	53	Female Screw
14	Bearing	34	Buffer	54	Foundation
15	Trigger Latch	35	Washer	55	Metal Insertion
16	Nuts	36	Muzzle Nut	56	Receiver
17	Adjustment Piece	37	Magazine Body	57	Barrel
18	Trigger Screw	38	Magazine Extension	58	Barrel Sleeve
19	Trigger Bar	39	Magazine Spring	59	Front Sight
20	Positioning Washer	40	Feeder	60	Target Grip

Model 280 Auto

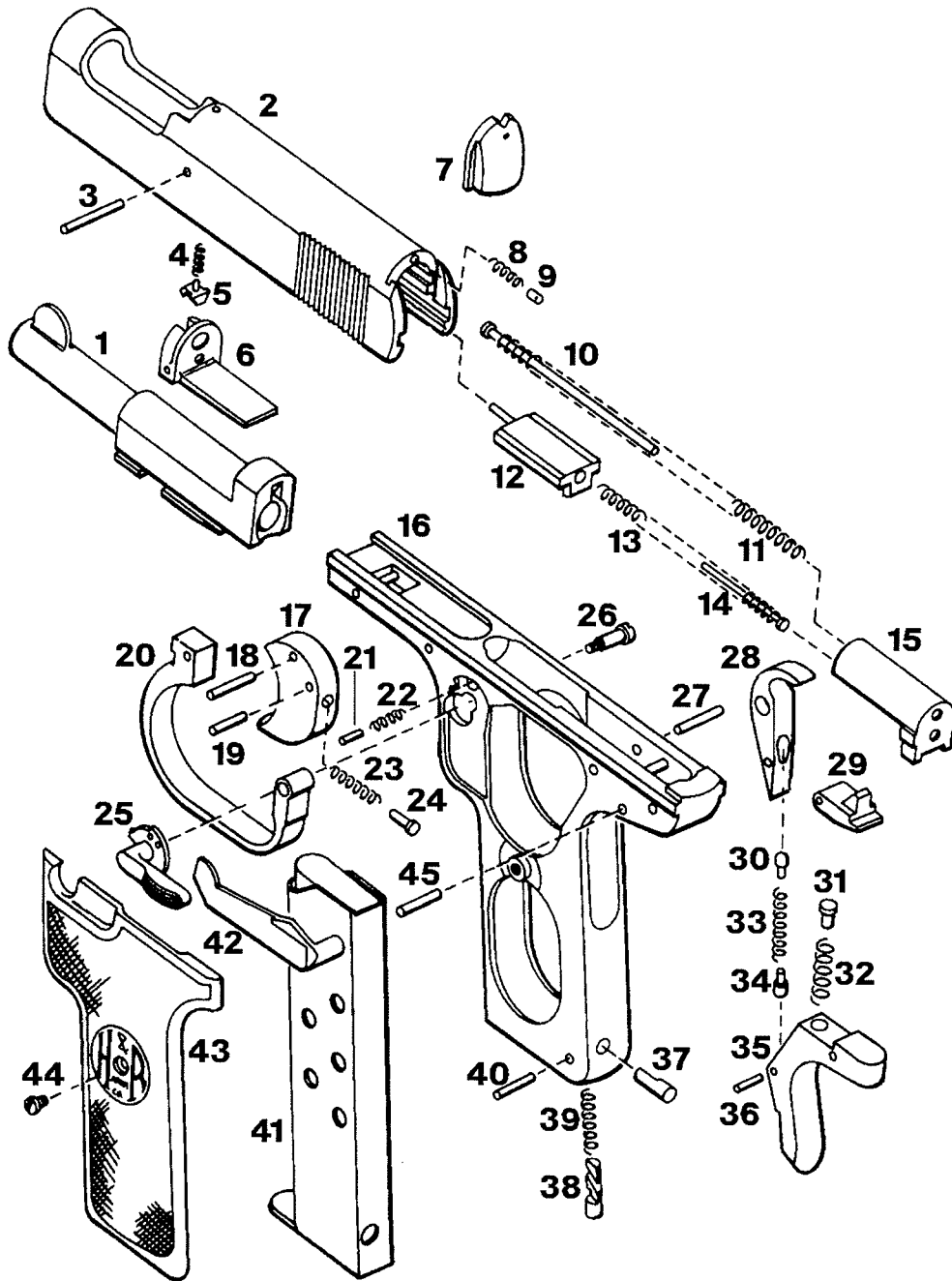


1	Receiver	20	Slide, Complete	38	Buffers
2	Foresight	21	Firing Pin Spring	39	Trigger Action, Complete
3	Countersunk Allen Screw	22	Firing Pin	40	Square Nut
4	Rear Sight Mount	23	Conex Pin	41	Allen Screws
5	Pressure Stud Spring	24	Extractor Spring	42	Trigger
6	Pressure Stud	25	Extractor	43	Counterweights
7	Windage Adjustment Screw	26	Expansion Pin	44	Magazine Box, Complete
8	Windage Click Pin	27	Recoil Spring Guide	45	Magazine Follower
9	Leaf Spring	28	Compression Stud Spring	46	Loading Button
10	Rear Sight Blade	29	Compression Stud	47	Magazine Spring
11	Elevation Adjustment Screw	30	Expansion Pin	48	Magazine Extension
12	Click Pin	31	Recoil Spring	49	Adjustable Grip, Complete
13	Compression Springs	32	Frame	50	Metal Insert
14	Circlips	33	Magazine Catch	51	Nut
15	Ball	34	Compression Spring for Magazine Catch	52	Palm Shelf
16	Pins	35	Slide Catch, Complete	Parts Not Shown	
17	Barrel, Complete	36	Slide Catch Spring	Trigger Pin	
18	Screws	37	Grub Screw	Trigger Allen Screw	
19	Plugs			Trigger Circlip	



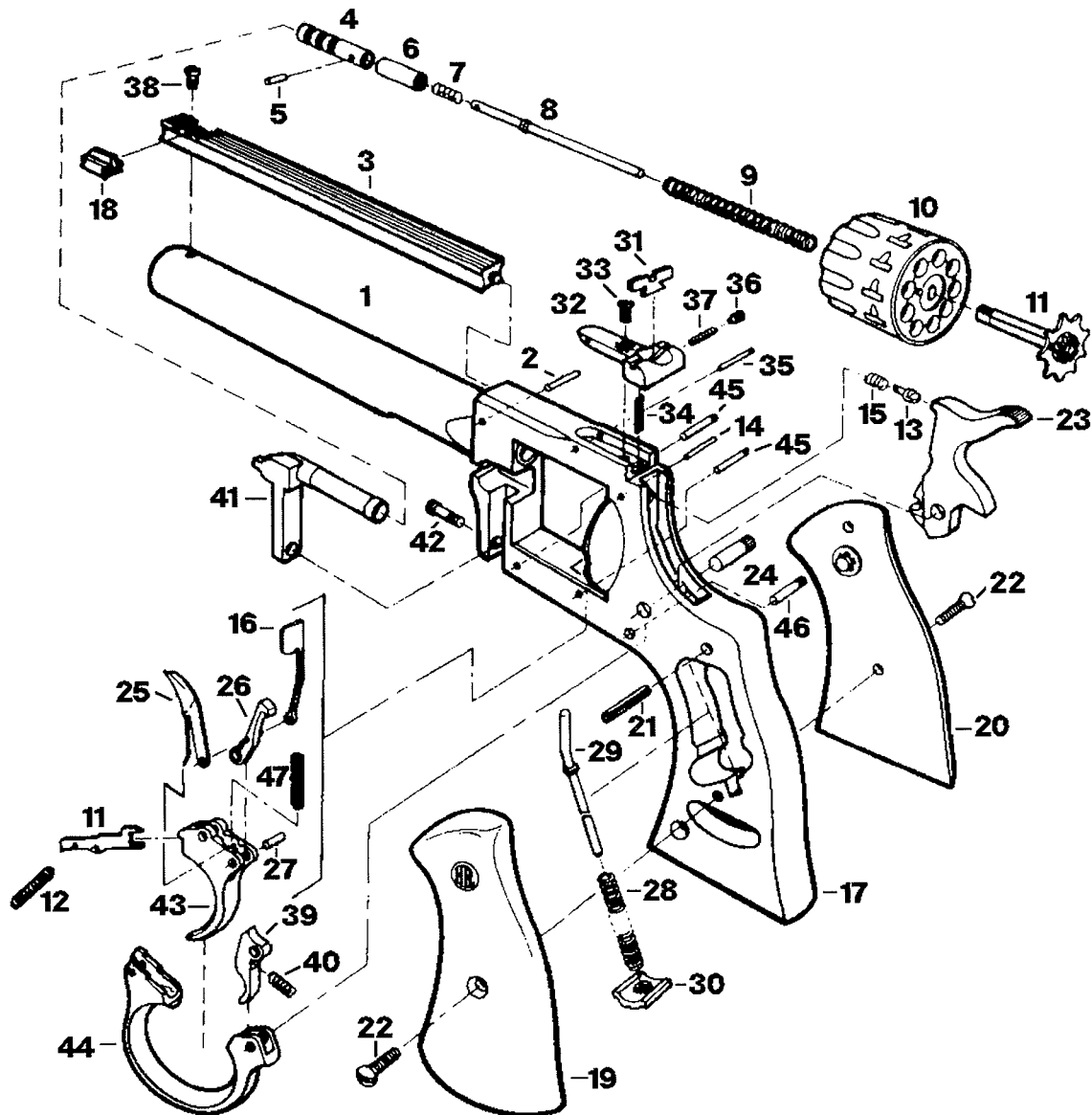
1	Barrel	16	Forend Iron
2	Ejector Spring	17	Forend
3	Ejector	18	Forend Screw
4	Ejector Sear Spring	19	Barrel Latch
5	Ejector Sear	20	Hammer Pin
6	Ejector Sear Trip Pin	21	Trigger Pin
7	Ejector Sear Pivot	22	Barrel Latch Plunger
8	Hammer Spring	23	Barrel Latch Spring
9	Hammer Strut	24	Trigger
10	Firing Pin	25	Trigger Spring Screw
11	Barrel Latch Lever	26	Trigger Spring
12	Hammer	27	Trigger Guard
13	Firing Pin Retaining Screw	28	Grip Screw
14	Frame	29	Grip
15	Forend Iron Screws		

32 Auto



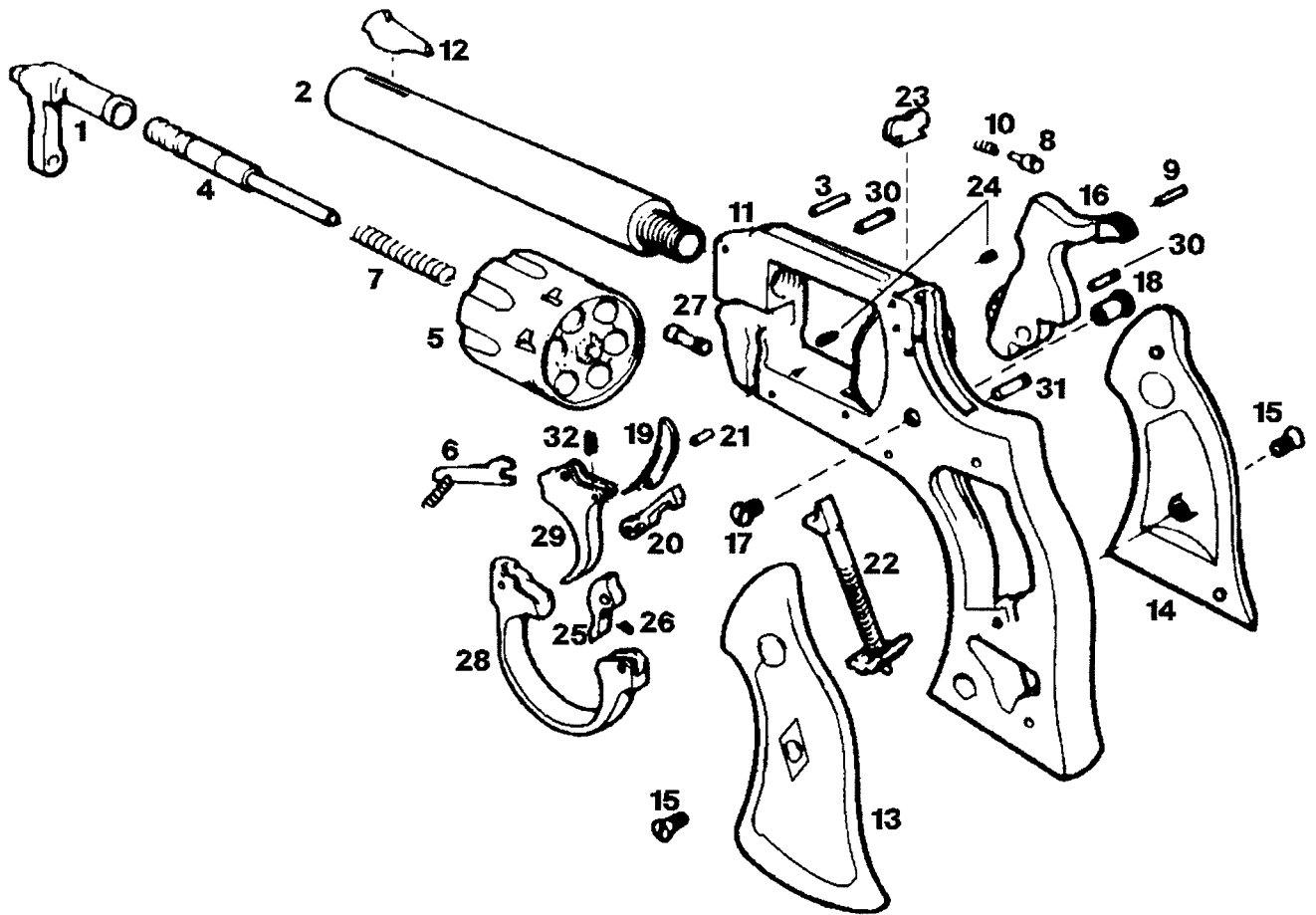
1	Barrel	16	Frame	31	Sear Spring Follower
2	Slide	17	Trigger	32	Sear Spring
3	Bolt Face Retainer Pin	18	Trigger Pin	33	Magazine Safety Spring
4	Extractor Spring	19	Trigger Stop Pin	34	Magazine Safety Spring Plunger
5	Extractor	20	Trigger Guard	35	Grip Safety
6	Bolt Face	21	Safety Catch Detent	36	Magazine Safety Pin
7	Slide End Plate	22	Safety Catch Detent Spring	37	Magazine Catch
8	End Plate Detent Spring	23	Trigger Spring	38	Magazine Release Button
9	End Plate Detent	24	Trigger Spring Plunger	39	Magazine Catch Spring
10	Recoil Spring Guide	25	Thumb Safety	40	Magazine Catch Pin
11	Recoil Spring	26	Trigger Guard Hinge Screw	41	Magazine Assembly
12	Firing Pin	27	Sear Pin	42	Trigger Bar
13	Firing Pin Spring	28	Magazine Safety	43	Grip
14	Firing Pin Spring Guide	29	Sear	44	Grip Screw
15	Slide Return Block	30	Trigger Bar Detent	45	Grip Safety Stop Pin

Model 603, 604, 903, 904, 905, 504, 826, 829 and 832 Revolver

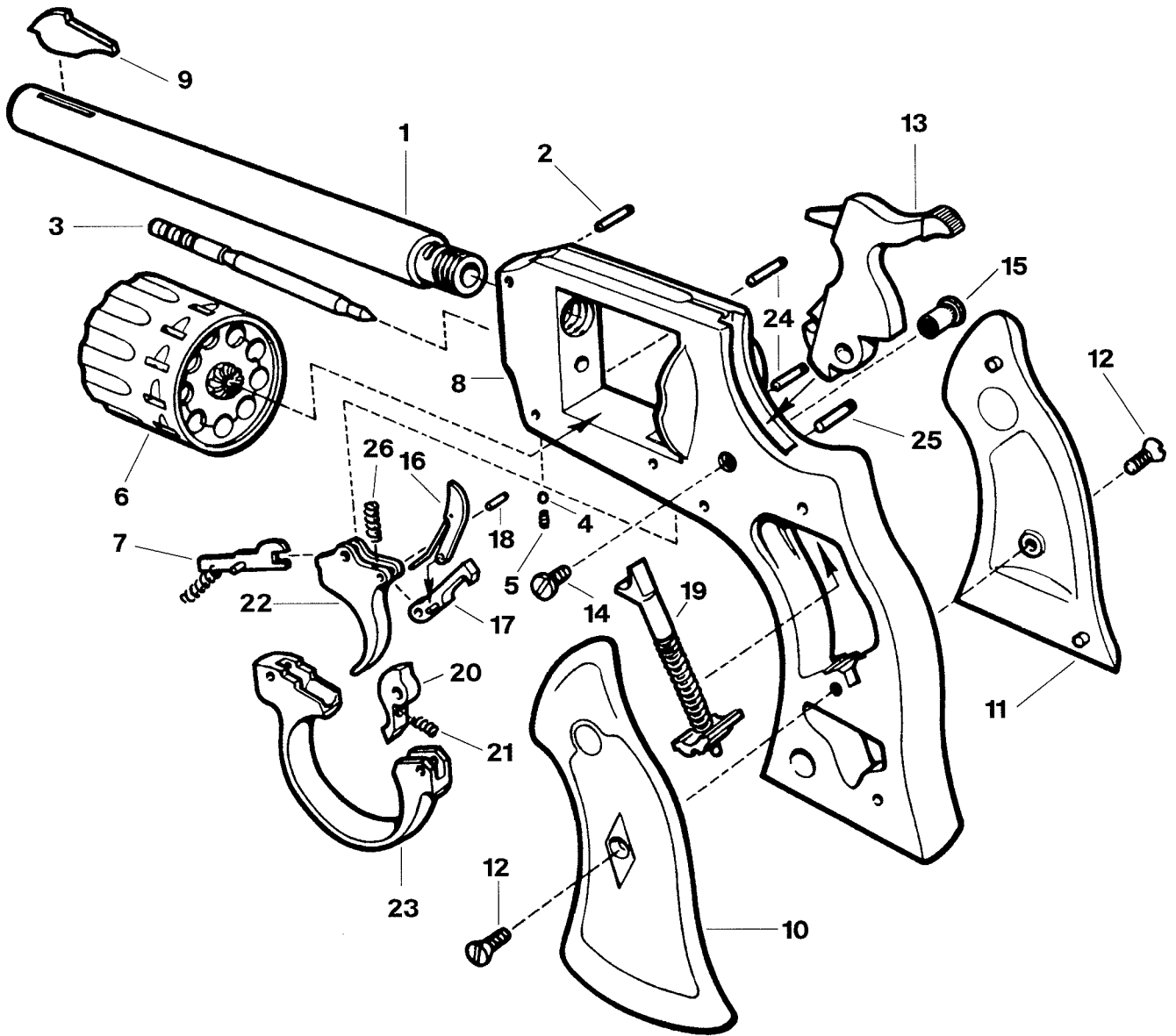


1	Barrel	17	Frame	33	Rear Sight Elevation Screw
2	Barrel Retaining Pin	18	Front Sight	34	Rear Sight Elevation Spring
3	Barrel Rib	19	Left Grip	35	Rear Sight Pivot Pin
4	Center Pin Head	20	Right Grip	36	Rear Sight Windage Screw
5	Center Pin Head Retaining Pin	21	Grip Pin	37	Rear Sight Windage Spring
6	Center Pin Spring Bushing	22	Grip Screws	38	Barrel Rib Screw
7	Center Pin Spring	23	Hammer	39	Sear
8	Center Pin	24	Hammer Pin	40	Sear Spring
9	Extractor Spring	25	Lever and Spring Assembly	41	Cylinder Crane
10	Cylinder	26	Lifter	42	Cylinder Crane Pivot Pin
11	Cylinder Stop	27	Lifter Pin	43	Trigger
12	Cylinder Stop Spring	28	Mainspring	44	Trigger Guard
13	Firing Pin	29	Mainspring Guide Rod	45	Front Trigger Guard and Trigger Pins
14	Firing Pin Retaining Pin	30	Mainspring Guide Seat	46	Rear Trigger Guard and Sear Pin
15	Firing Pin Spring	31	Rear Sight Blade	47	Trigger Spring
16	Firing Pin Striker	32	Rear Sight Base		

Model 732 and 733 Revolver

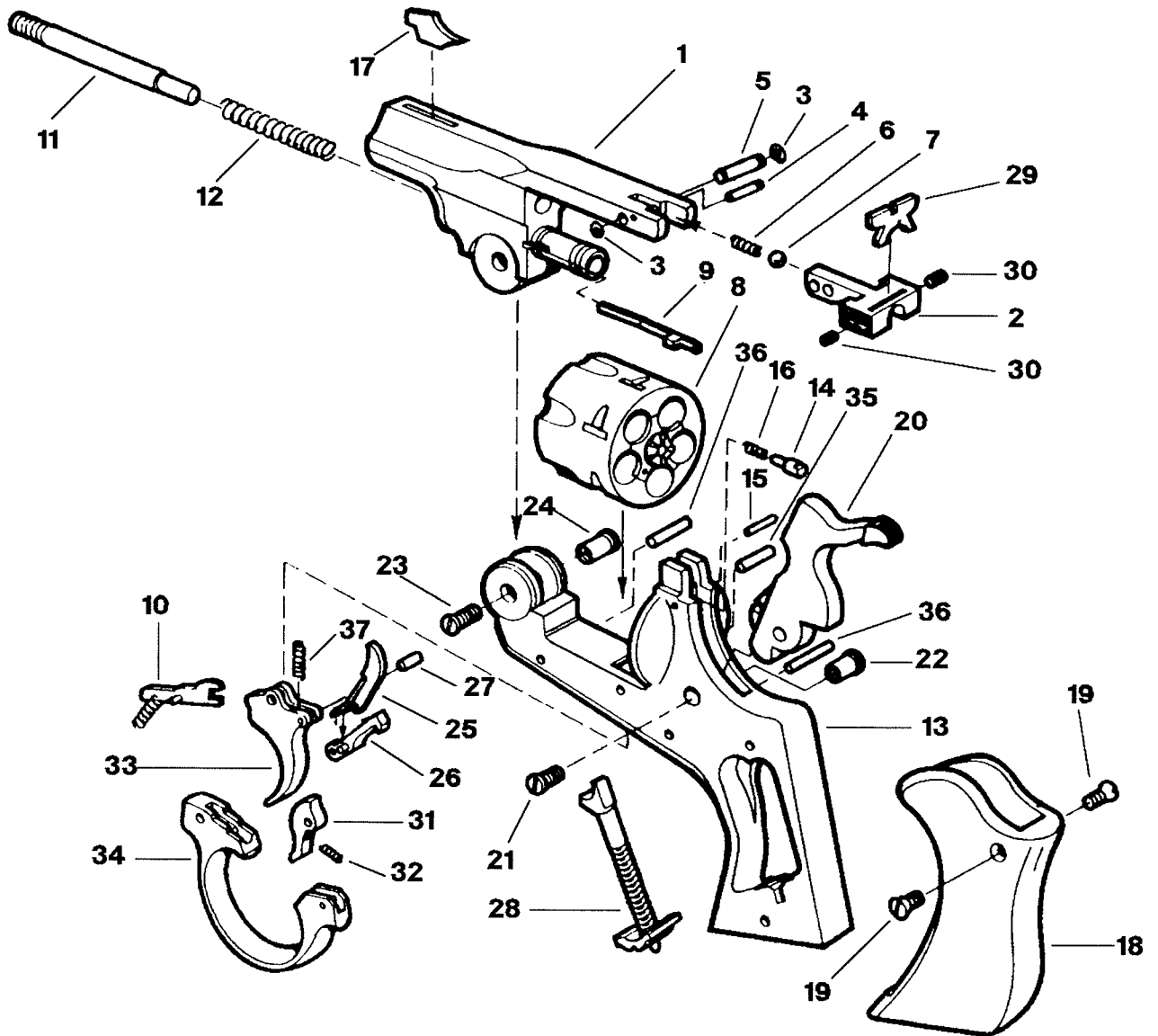


1	Cylinder Crane	18	Hammer Screw Stud
2	Barrel	19	Lever and Spring Assembly
3	Barrel Retaining Pin	20	Lifter
4	Center Pin Assembly	21	Lifter Pin
5	Cylinder and Extractor Assembly	22	Mainspring and Guide Assembly
6	Cylinder Stop and Spring	23	Rear Sight
7	Extractor Spring	24	Rear Sight Windage Screws
8	Firing Pin	25	Sear
9	Firing Pin Retaining Pin	26	Sear Spring
10	Firing Pin Spring	27	Crane Pivot Pin
11	Frame	28	Trigger Guard
12	Front Sight	29	Trigger
13	Grip, Left	30	Trigger Pin and Front Guard Pins
14	Grip, Right	31	Trigger Guard Rear Pin and Sear Pin
15	Grip Screws	32	Trigger Spring
16	Hammer		
17	Hammer Screw		



1	Barrel	15	Hammer Screw Stud
2	Barrel Retaining Pin	16	Lever and Spring Assembly
3	Center Pin	17	Lifter
4	Center Pin Ball Detent	18	Lifter Pin
5	Center Pin Ball Detent Spring	19	Mainspring and Guide Assembly
6	Cylinder and Extractor Assembly	20	Sear
7	Cylinder Stop and Spring	21	Sear Spring
8	Frame	22	Trigger
9	Front Sight	23	Trigger Guard
10	Left Grip	24	Trigger Pin and Guard Pin (Small)
11	Right Grip	25	Trigger Guard Rear Pin and Sear Pin (Large)
12	Grip Screws	26	Trigger Spring
13	Hammer		
14	Hammer Screw		

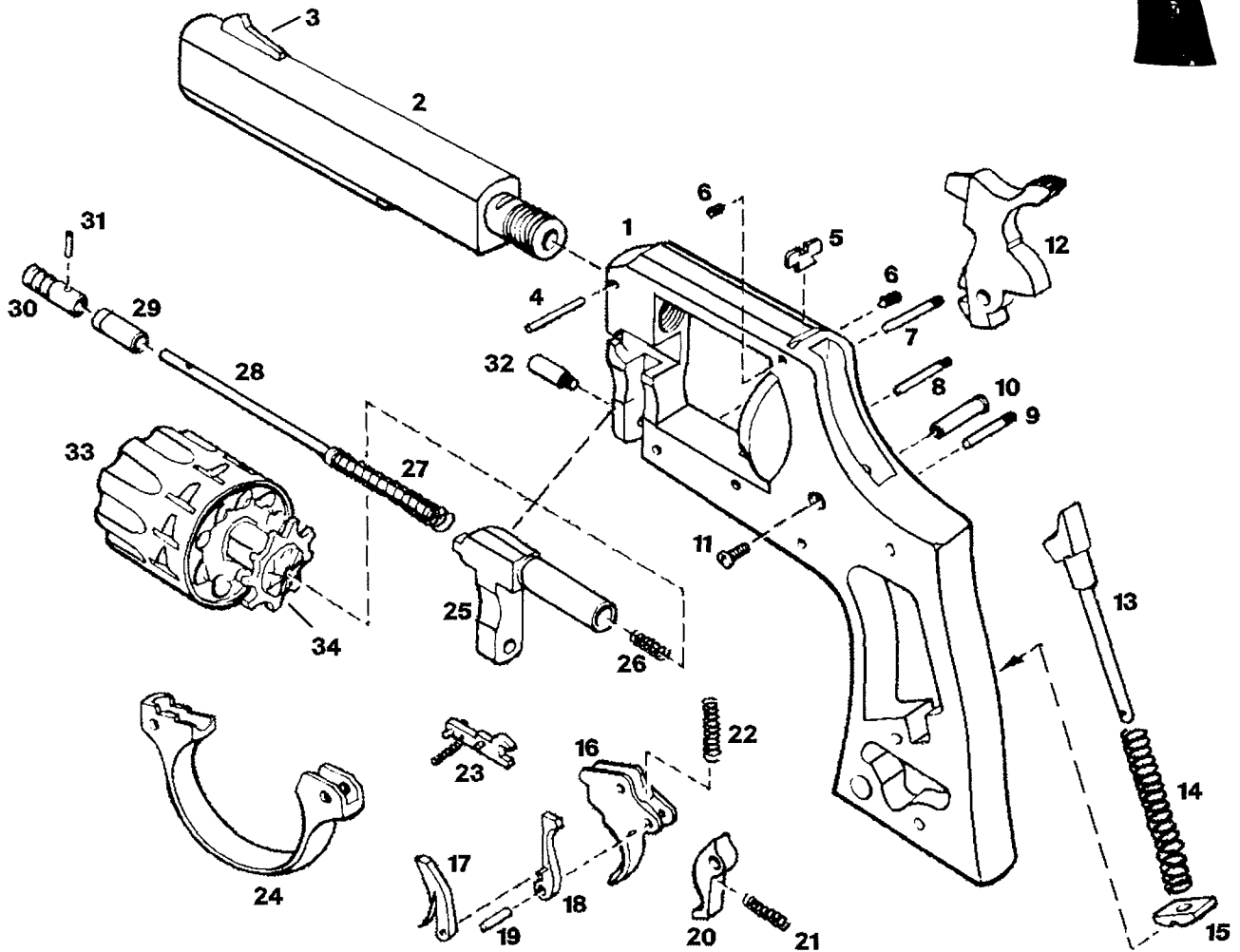
Model 925 Revolver



Key					
1	Barrel	15	Firing Pin Retaining Pin	30	Rear Sight Windage Screws
2	Barrel Catch	16	Firing Pin Spring	31	Sear
3	Barrel Catch Locking Spring	17	Front Sight	32	Sear Spring
4	Barrel Catch Pin	18	Grip	33	Trigger
5	Barrel Catch Pivot Pin	19	Grip Screws	34	Trigger Guard
6	Barrel Catch Spring	20	Hammer	35	Trigger Pin
7	Barrel Catch Spring Follower	21	Hammer Screw	36	Trigger Guard Rear Pin and Sear Pin (Large)
8	Cylinder and Extractor Assembly	22	Hammer Screw Stud	37	Trigger Spring
9	Cylinder Catch	23	Hinge Screw	Parts Not Shown	
10	Cylinder Stop Assembly	24	Hinge Screw Stud		Front Sight Screw
11	Ejector Rod	25	Lever and Spring Assembly		Front Sight Pin
12	Ejector Spring	26	Lifter		Front Sight Spring
13	Frame	27	Lifter Pin		
14	Firing Pin	28	Mainspring and Guide Assembly		
		29	Rear Sight Blade		

Model 929 Revolver

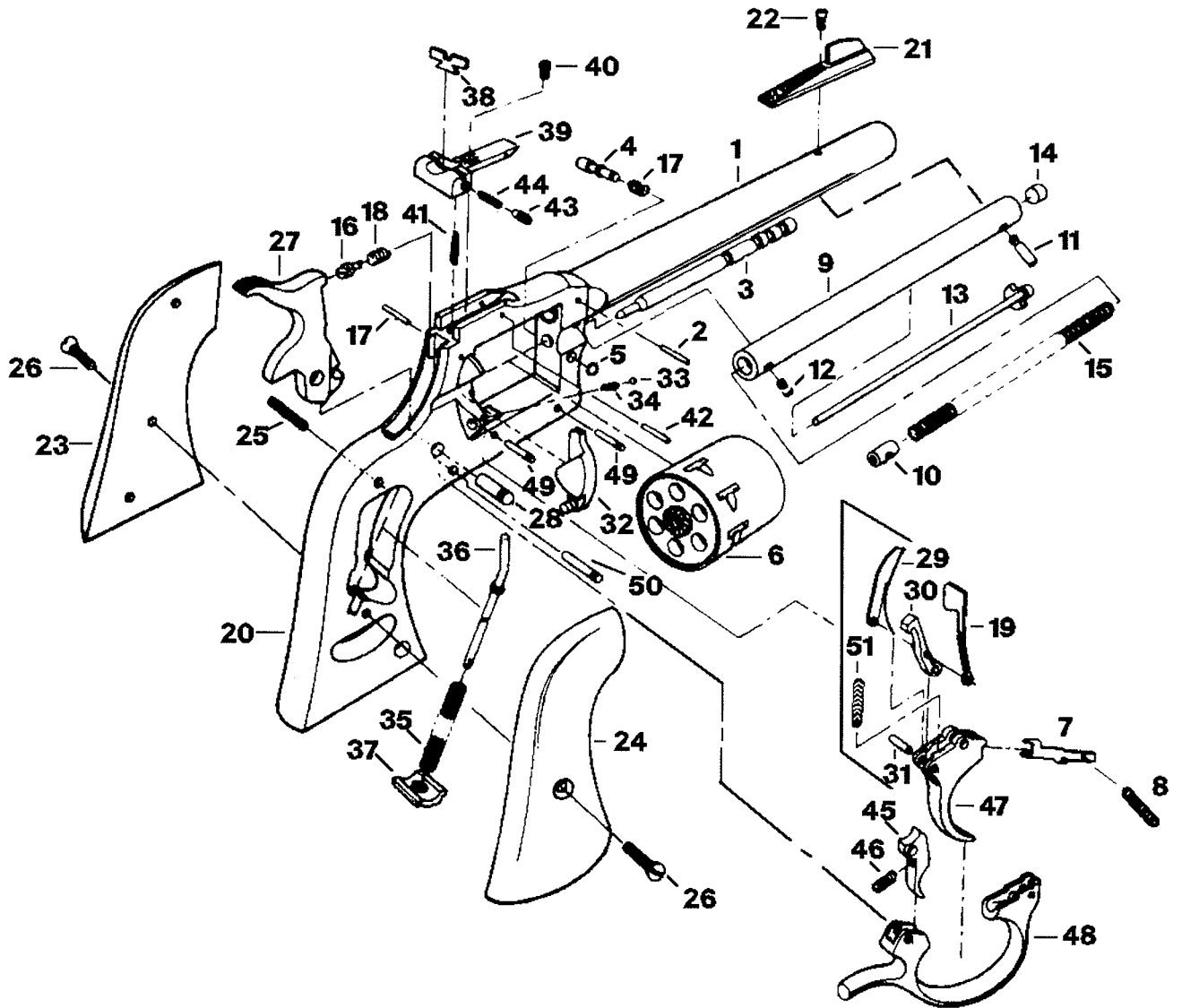
Courtesy James M. Triggs/NRA



Key			
1	Frame	13	Mainspring Guide
2	Barrel	14	Mainspring
3	Front Sight	15	Mainspring Seat
4	Barrel Retaining Pin	16	Trigger
5	Rear Sight Leaf	17	Lever and Spring Assembly
6	Rear Sight Windage Screws	18	Lifter
7	Front Trigger Guard Pin	19	Lifter Pin
8	Trigger Pin	20	Sear
9	Rear Trigger Guard and Sear Pin	21	Sear Spring
10	Hammer Screw Stud	22	Trigger Spring
11	Hammer Screw	23	Cylinder Stop Assembly
12	Hammer	24	Trigger Guard
		25	Swingout Arm Assembly
		26	Center Pin Spring
		27	Extractor Spring
		28	Center Pin
		29	Center Pin Guide
		30	Center Pin Head
		31	Center Pin Head Pin
		32	Cylinder Crane Pivot Pin
		33	Cylinder
		34	Extractor
Parts Not Shown			
			Right Grip
			Left Grip
			Grip Screws

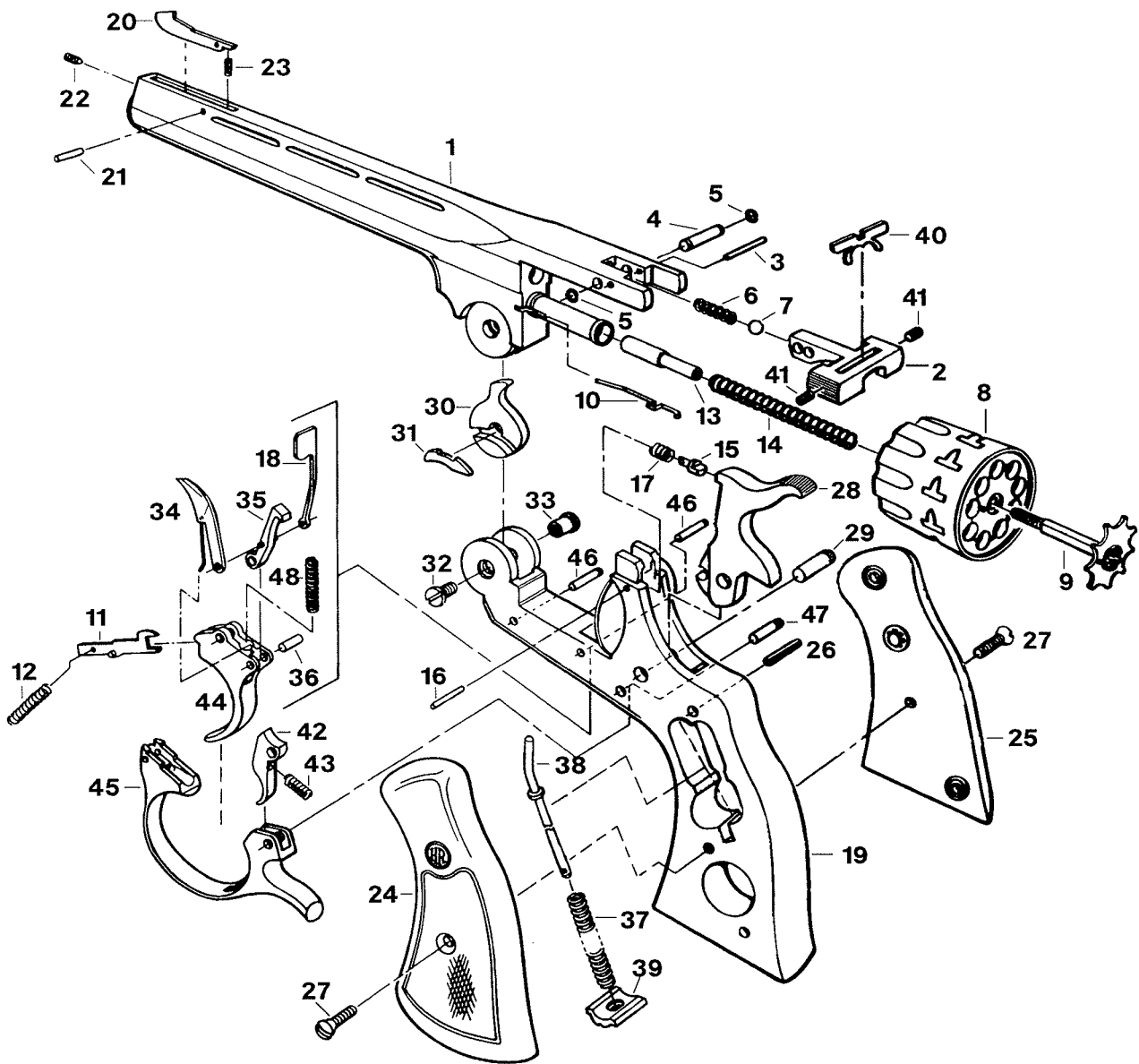
HARRINGTON & RICHARDSON

Model 949, 950, 976, 649, 650, 660, 666, 676 and 686 Revolver



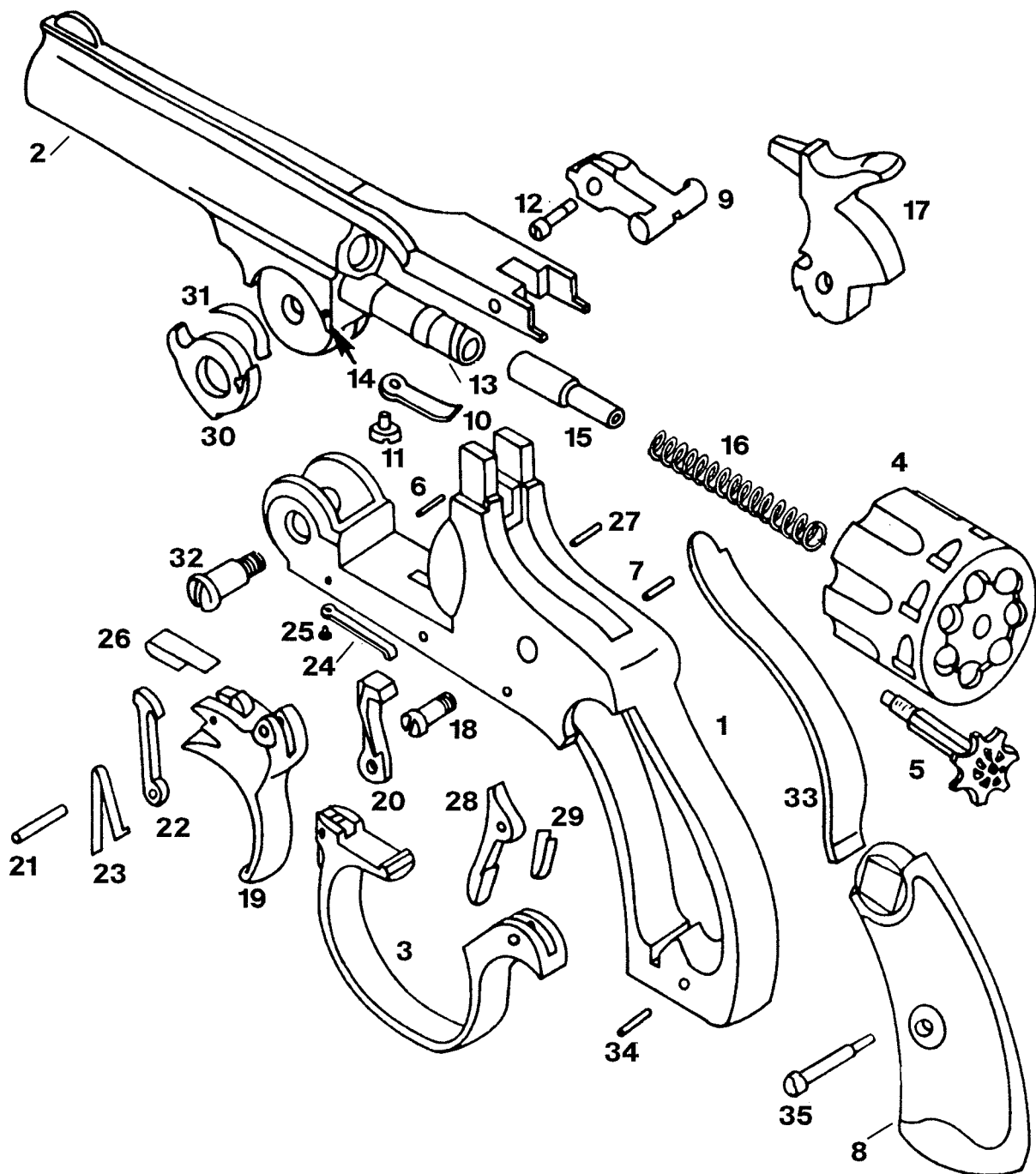
1	Barrel	18	Firing Pin and Center Pin Catch Spring	34	Loading Gate Ball Spring
2	Barrel Retaining Pin	19	Firing Pin Striker	35	Mainspring
3	Center Pin	20	Frame	36	Mainspring Guide Rod
4	Center Pin Catch	21	Front Sight	37	Mainspring Guide Seat
5	Center Pin Catch Retainer	22	Front Sight Screw	38	Rear Sight Blade
6	Cylinder	23	Left Grip	39	Rear Sight Base
7	Cylinder Stop	24	Right Grip	40	Rear Sight Elevation Screw
8	Cylinder Stop Spring	25	Grip Pin	41	Rear Sight Elevation Spring
9	Ejector Housing	26	Grip Screws	42	Rear Sight Pivot Pin
10	Ejector Housing Bushing	27	Hammer	43	Rear Sight Windage Screw
11	Front Ejector Housing Screw	28	Hammer Pin	44	Rear Sight Windage Spring
12	Rear Ejector Housing Screw	29	Lever and Spring Assembly	45	Sear
13	Ejector Rod	30	Lifter	46	Sear Spring
14	Ejector Rod Stop	31	Lifter Pin	47	Trigger
15	Ejector Spring	32	Loading Gate	48	Trigger Guard
16	Firing Pin	33	Loading Gate Ball	49	Front Trigger Guard and Trigger Pin
17	Firing Pin Retaining Pin			50	Rear Trigger Guard and Sear Pin
				51	Trigger Spring

Model 999 Sportsman Revolver

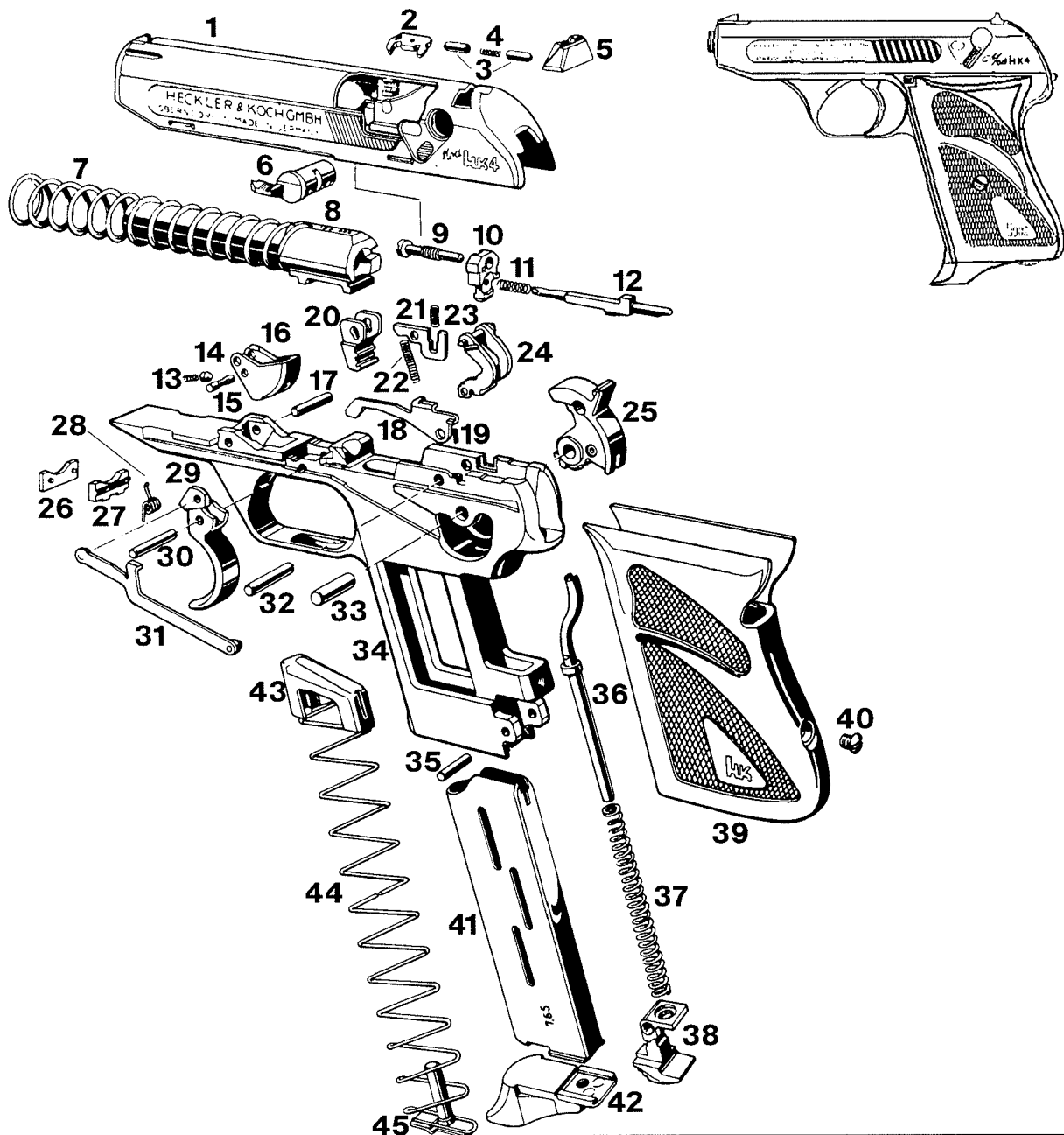


1	Barrel and Cylinder Arbor Assembly	17	Firing Pin Spring	34	Lever and Spring Assembly
2	Barrel Catch	18	Firing Pin Striker	35	Lifter
3	Barrel Catch Pin	19	Frame	36	Lifter Pin
4	Barrel Catch Pivot Pin	20	Front Sight	37	Mainspring
5	Barrel Catch Pivot Pin Retainers	21	Front Sight Pin	38	Mainspring Guide Rod
6	Barrel Catch Spring	22	Front Sight Adjusting Screw	39	Mainspring Guide Seat
7	Barrel Catch Spring Follower	23	Front Sight Spring	40	Rear Sight Blade
8	Cylinder	24	Left Grip	41	Rear Sight Windage Screws
9	Extractor	25	Right Grip	42	Sear
10	Cylinder Catch	26	Grip Pin	43	Sear Spring
11	Cylinder Stop	27	Grip Screws	44	Trigger
12	Cylinder Stop Spring	28	Hammer	45	Trigger Guard
13	Extractor Extension	29	Hammer Pin	46	Front Trigger Guard Pin and Trigger Pin
14	Extractor Spring	30	Hook	47	Rear Trigger Guard Pin and Sear Pin
15	Firing Pin	31	Hook Slide	48	Trigger Spring
16	Firing Pin Retaining Pin	32	Barrel Hinge Screw		
		33	Barrel Hinge Screw Stud		

Top Break 22 7-Shot Revolver



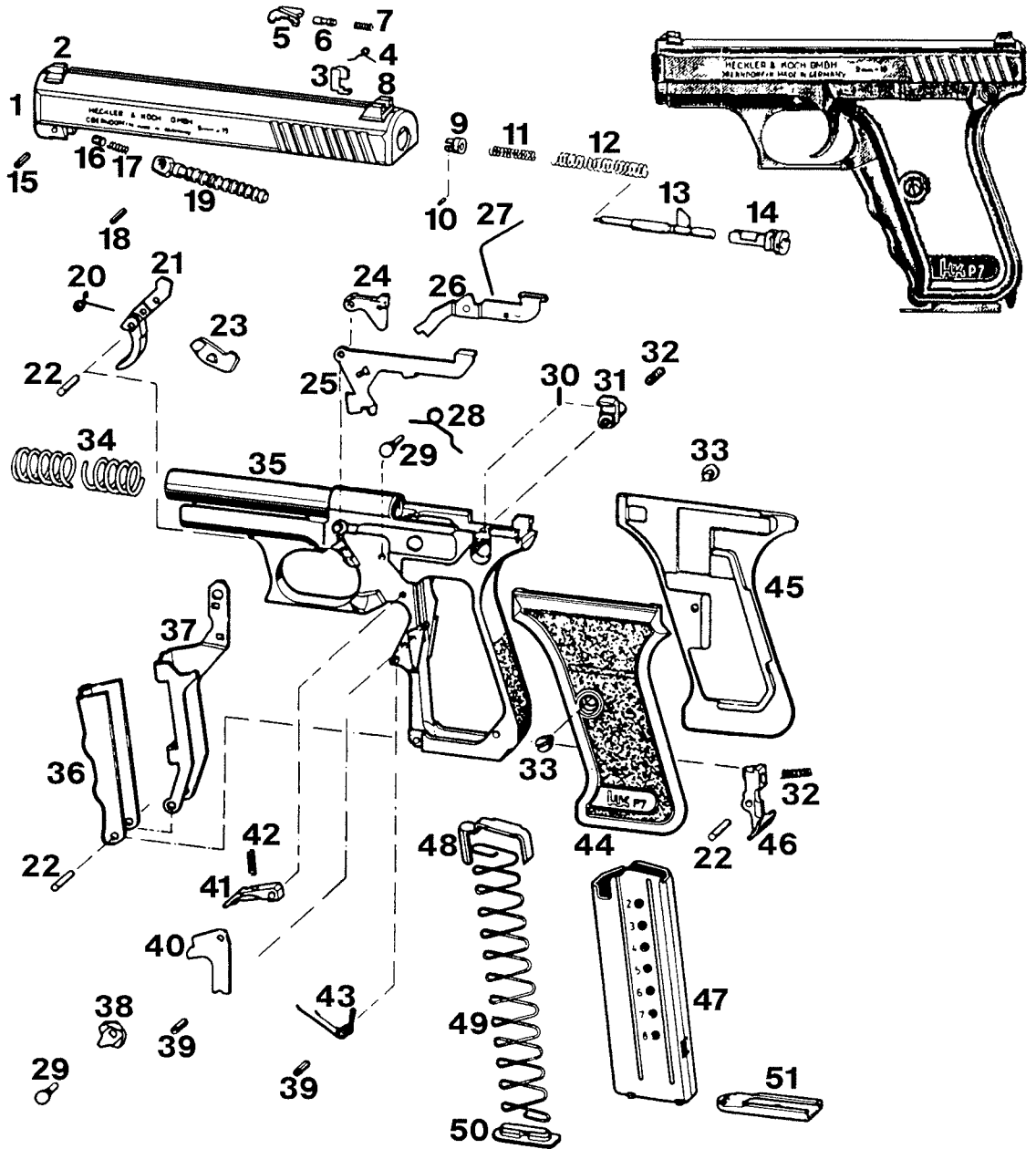
1	Frame	14	Cylinder Arbor Pin	27	Trigger Pin
2	Barrel	15	Extractor Extension	28	Sear
3	Trigger Guard	16	Extractor Spring	29	Sear Spring
4	Cylinder	17	Hammer	30	Extractor Hook
5	Extractor	18	Hammer Screw	31	Hook Spring
6	Front Guard Pin	19	Trigger	32	Barrel Hinge Screw
7	Guard/Sear Pin	20	Lifter	33	Mainspring
8	Left Grip	21	Lifter Pin	34	Grip Pin
9	Barrel Catch	22	Hand	35	Grip Screw
10	Barrel Catch Spring	23	Hand Spring		
11	Barrel Catch Spring Screw	24	Cylinder Stop	Parts Not Shown	
12	Barrel Catch Pivot Screw	25	Cylinder Stop Screw		Right Grip
13	Cylinder Arbor	26	Trigger Spring		



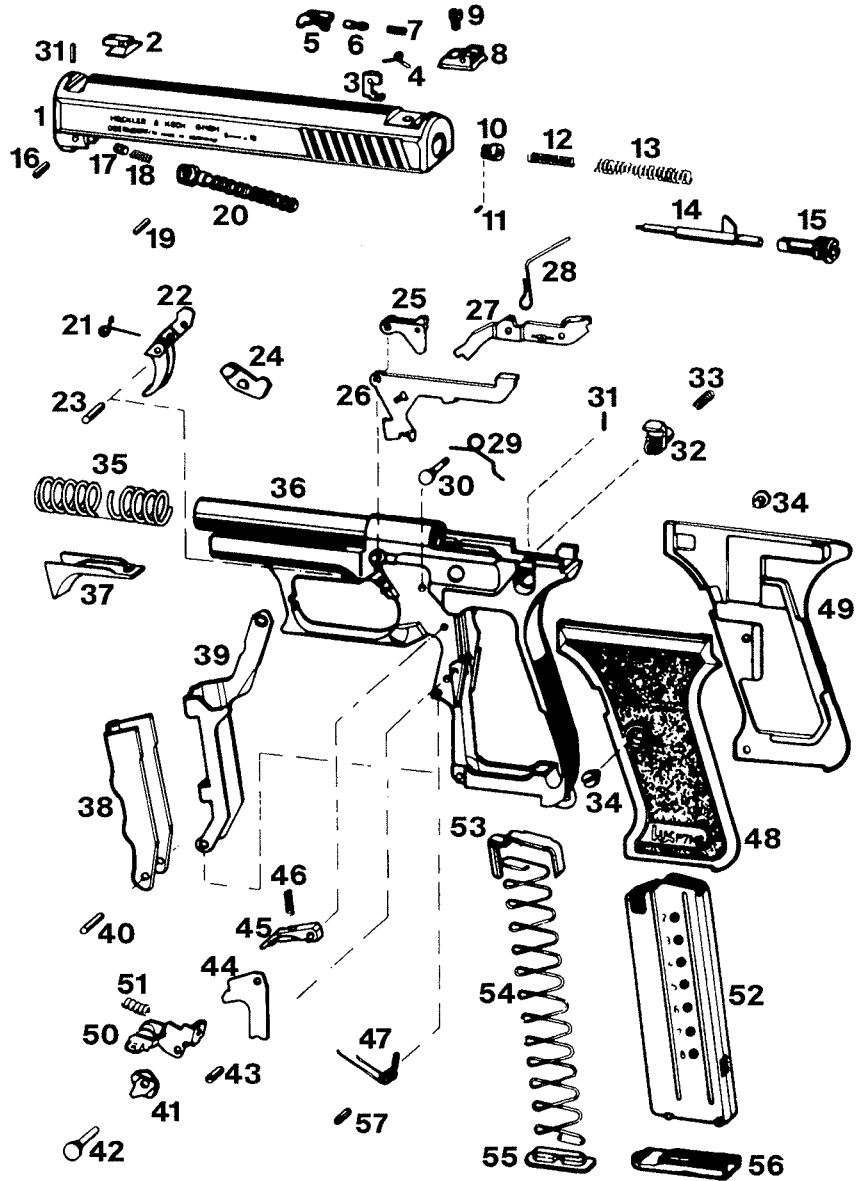
1	Slide	16	Barrel Clamp	31	Trigger Bar
2	Extractor	17	Cylindrical Pin	32	Cylindrical Pin
3	Set Bolts	18	Ejector	33	Hammer Pin
4	Compression Spring	19	Ejector Spring	34	Receiver
5	Rear Sight	20	Sear	35	Cylindrical Pin
6	Safety Pin	21	Spring Support	36	Spring Rod
7	Recoil Spring	22	Drag Spring	37	Mainspring
8	Barrel	23	Disconnecter Spring	38	Magazine Catch
9	Cylinder-Head Screw	24	Disconnecter	39	Grip
10	Face Plate	25	Hammer	40	Lens Head Countersunk Screw
11	Firing Pin Spring	26	Buffer Plate	41	Magazine Housing
12	Firing Pin	27	Buffer	42	Floorplate with Grip Extension
13	Plunger Spring	28	Elbow Spring	43	Follower
14	Plunger	29	Trigger	44	Follower Spring
15	Stop Pin	30	Cylindrical Pin	45	Locking Plate Assembly

HECKLER & KOCH

P7 Auto

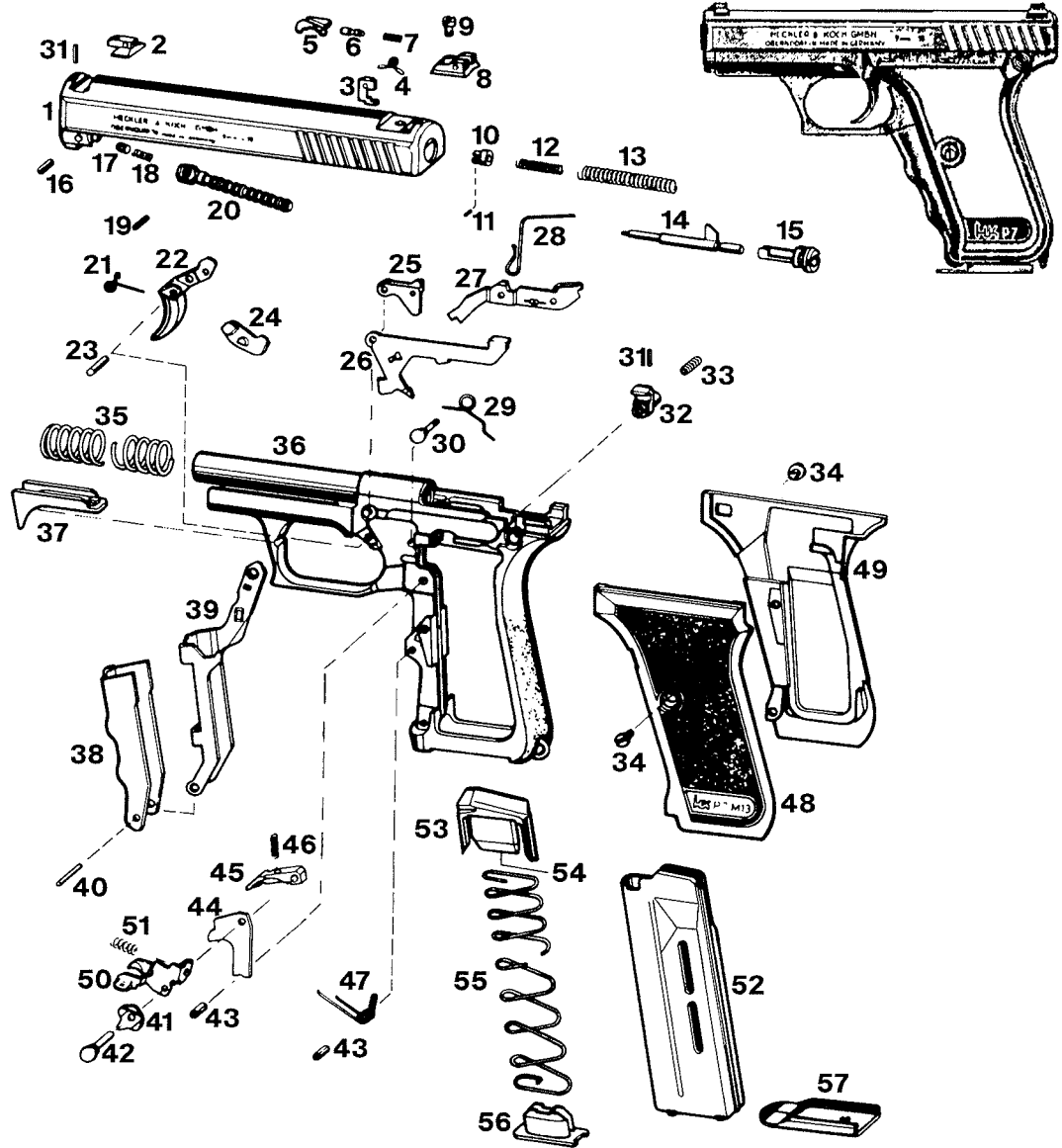


1	Slide	18	Clamping Pin	35	Receiver with Barrel
2	Front Sight	19	Piston	36	Squeeze Cocker
3	Drop Safety Catch	20	Elbow Spring	37	Drag Lever
4	Elbow Spring	21	Trigger	38	Rocker
5	Extractor	22	Cylindrical Pins	39	Clamping Levers
6	Pressure Pin	23	Sear	40	Cocking Lever Stop
7	Compression Spring	24	Sear Control Lever	41	Cocking Latch
8	Rear Sight	25	Catch Lever	42	Compression Spring
9	Ring	26	Ejector Lever	43	Elbow Spring
10	Cylindrical Pin	27	Spring	44	Grip Shell, Left
11	Inner Firing Pin Spring	28	Elbow Spring	45	Grip Shell, Right
12	Outer Firing Pin Spring	29	Locking Pins	46	Magazine Catch
13	Firing Pin	30	Clamping Sleeve	47	Magazine Housing
14	Bushing	31	Slide Retaining Catch	48	Follower
15	Clamping Sleeve	32	Compression Spring	49	Follower Spring
16	Fixing Pin	33	Grip Screws	50	Locking Plate
17	Compression Spring	34	Recoil Spring	51	Floorplate

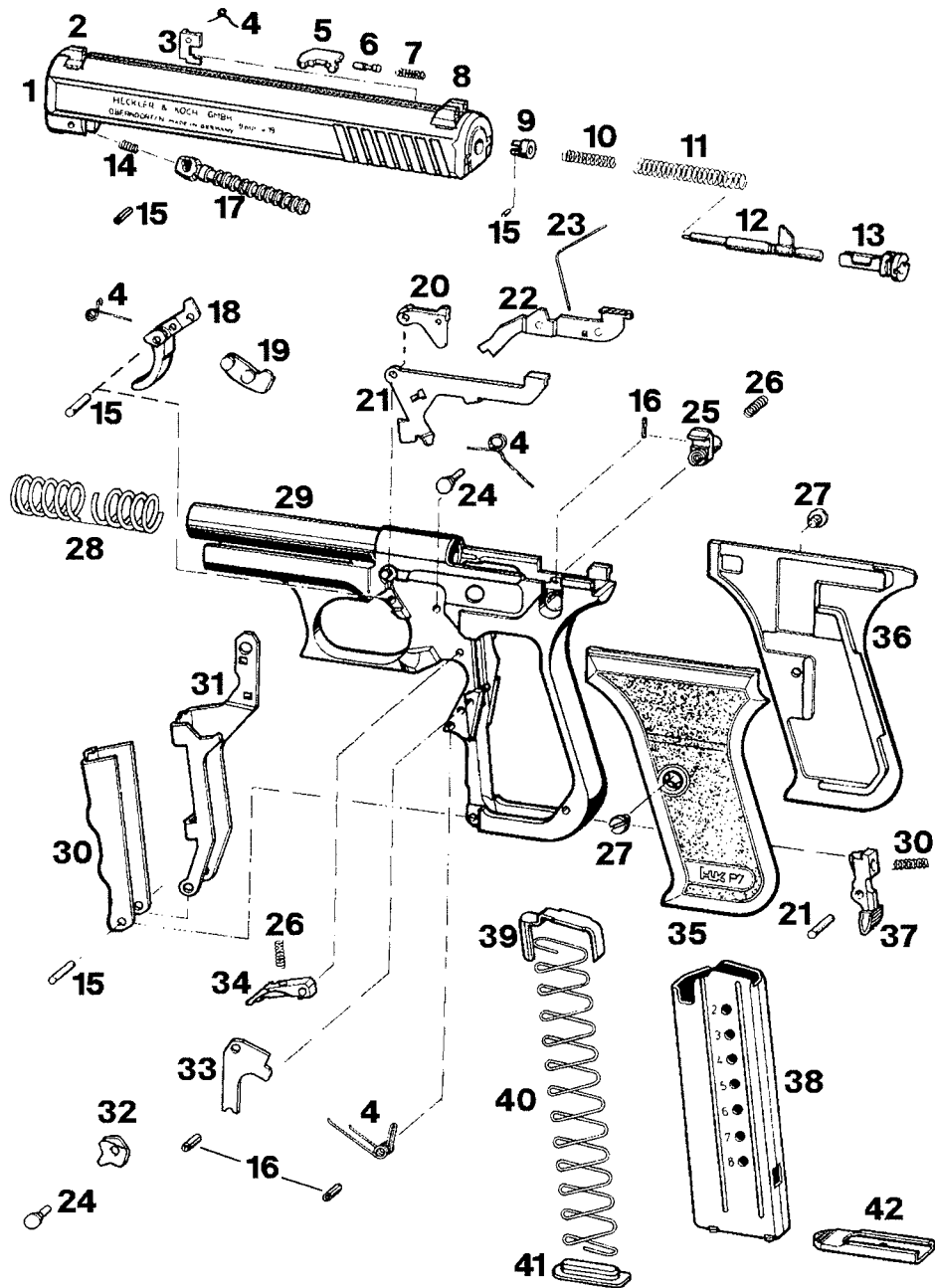


1	Slide	20	Piston	39	Drag Lever
2	Front Sight	21	Trigger Spring	40	Cocking Lever Axle
3	Drop Safety Catch	22	Trigger	41	Rocker
4	Drop Safety Catch Spring	23	Trigger Pin	42	Magazine Catch Axle
5	Extractor	24	Transmission Lever	43	Roll Pin
6	Extractor Plunger	25	Disconnecter	44	Stop
7	Extractor Spring	26	Slide Stop	45	Cocking Latch
8	Rear Sight	27	Sear Lever	46	Cocking Latch Spring
9	Rear Sight Screw	28	Sear Spring	47	Cocking Lever Spring
10	Firing Pin Collar	29	Rocker Spring	48	Grip, Left
11	Firing Pin Collar Pin	30	Rocker Spring Axle	49	Grip, Right
12	Firing Pin Return Spring	31	Front Sight/Slide Retainer Pin	50	Magazine Catch
13	Firing Pin Spring	32	Slide Removal Button	51	Magazine Catch Spring
14	Firing Pin	33	Slide Removal Button Spring	52	Magazine Housing
15	Firing Pin Bushing	34	Grip Screws	53	Follower
16	Piston Roll Pin	35	Recoil Spring	54	Follower Spring
17	Piston Plunger	36	Receiver with Barrel	55	Magazine Lockplate
18	Piston Plunger Spring	37	Trigger Heat Shield	56	Magazine Floorplate
19	Plunger Retaining Roll Pin	38	Cocking Lever	57	Cocking Lever Spring Pin

P7M13



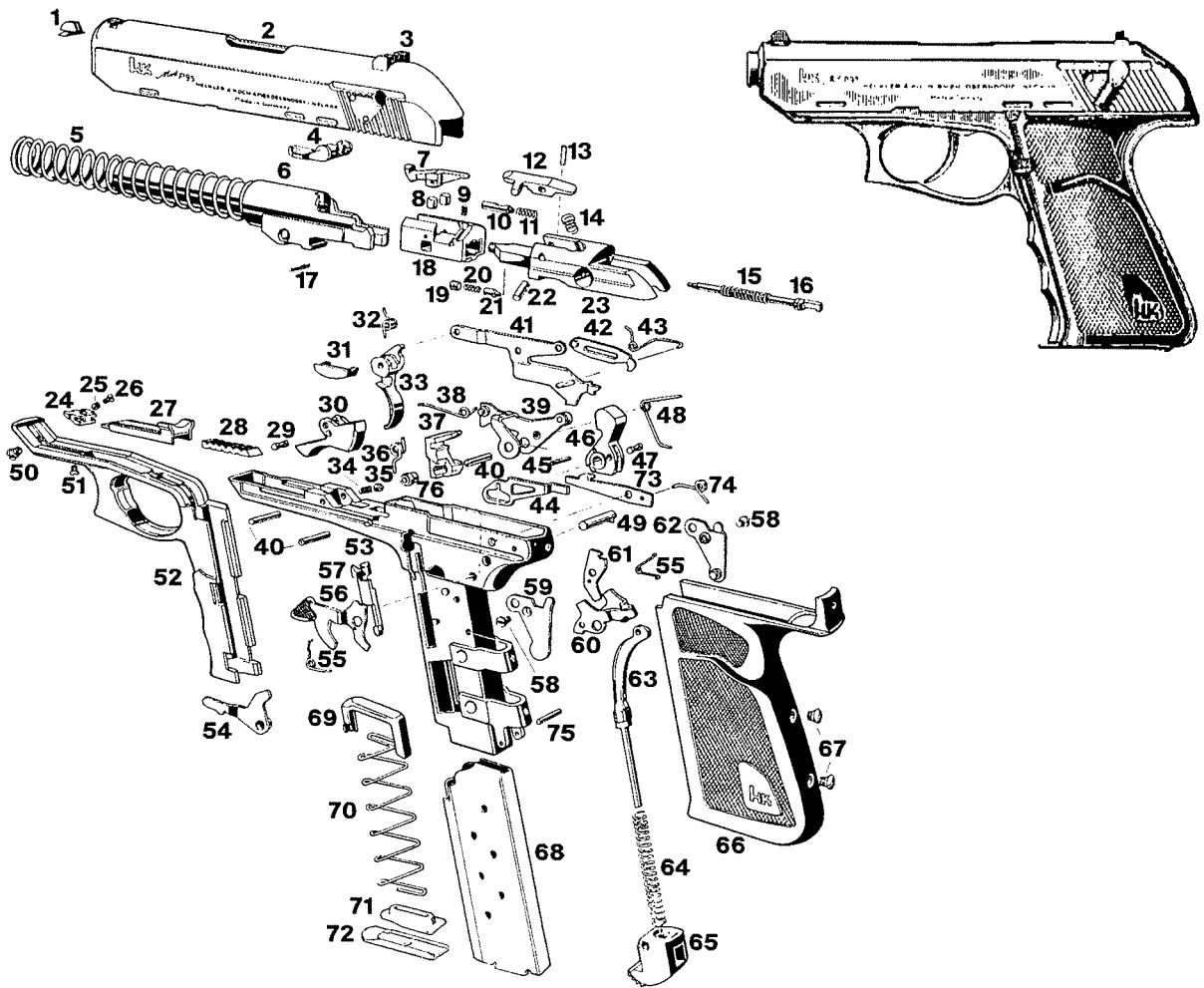
1	Slide	20	Piston	39	Drag Lever
2	Front Sight	21	Trigger Spring	40	Cocking Lever Axle
3	Drop Safety Catch	22	Trigger	41	Rocker
4	Drop Safety Catch Spring	23	Trigger Pin	42	Magazine Catch Axle
5	Extractor	24	Transmission Lever	43	Roll Pins
6	Extractor Plunger	25	Disconnecter	44	Stop
7	Extractor Spring	26	Slide Stop	45	Cocking Latch
8	Rear Sight	27	Sear Lever	46	Cocking Latch Spring
9	Rear Sight Screw	28	Sear Spring	47	Cocking Lever Spring
10	Firing Pin Collar	29	Rocker Spring	48	Grip, Left
11	Firing Pin Collar Pin	30	Rocker Spring Axle	49	Grip, Right
12	Firing Pin Return Spring	31	Front Sight/Slide Retainer Pin	50	Magazine Catch
13	Firing Pin Spring	32	Slide Removal Button	51	Magazine Catch Spring
14	Firing Pin	33	Slide Removal Button Spring	52	Magazine Housing
15	Firing Pin Bushing	34	Grip Screws	53	Follower
16	Piston Roll Pin	35	Recoil Spring	54	Follower Insert
17	Piston Plunger	36	Receiver with Barrel	55	Follower Spring
18	Piston Plunger Spring	37	Trigger Heat Shield	56	Locking Plate
19	Plunger Retaining Roll Pin	38	Cocking Lever	57	Magazine Floorplate



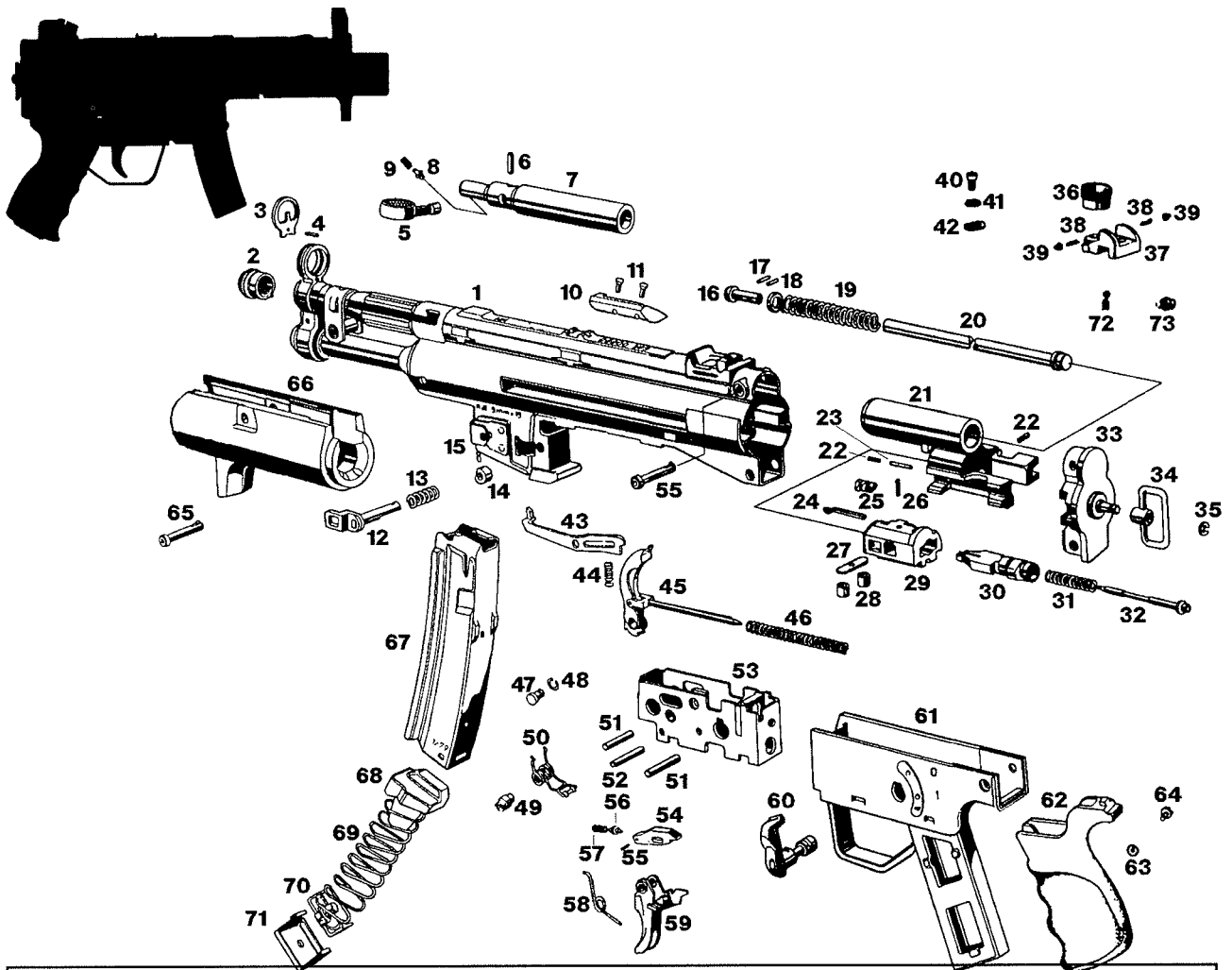
1	Slide	15	Cylindrical Pins	29	Grip with Barrel
2	Front Sight	16	Clamping Sleeves	30	Squeeze Cocker
3	Drop Safety Catch	17	Retarder Piston	31	Drag Lever
4	Elbow Spring	18	Trigger	32	Rocker
5	Extractor	19	Sear	33	Stop
6	Pressure Pin	20	Disconnecter	34	Catch
7	Extractor Spring	21	Slide Catch Lever	35	Grip, Left
8	Rear Sight	22	Transmission Lever	36	Grip, Right
9	Spacer Ring	23	Spring	37	Magazine Catch
10	Return Spring	24	Bearing Pins	38	Magazine Housing
11	Firing Pin Spring	25	Stripping Button	39	Follower
12	Firing Pin	26	Compression Spring	40	Follower Spring
13	Cap	27	Grip Screws	41	Follower Spring Locking Plate
14	Piston Spring	28	Recoil Spring	42	Magazine Floorplate

HECKLER & KOCH

P9S 9mm Auto

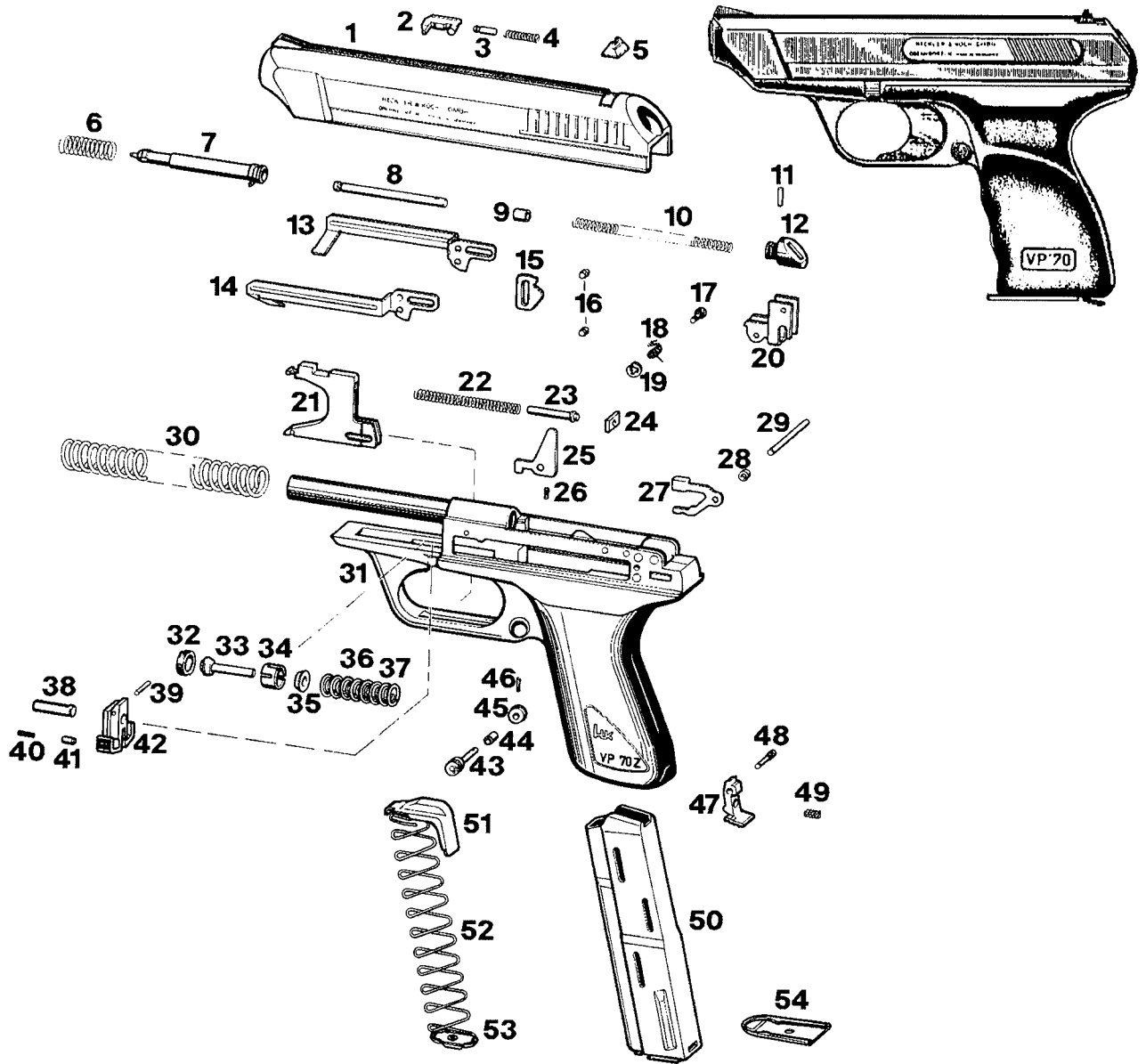


1	Front Sight	27	Buffer Housing	53	Receiver
2	Slide	28	Plastic Buffer	54	Safety Catch
3	Rear Sight	29	Stop Pin	55	Elbow Spring
4	Safety	30	Barrel Catch	56	Cocking Lever
5	Recoil Spring	31	Insert Piece	57	Catch
6	Barrel	32	Trigger Spring	58	Countersunk Screw
7	Extractor	33	Trigger	59	Bearing Plate, Left
8	Locking Rollers	34	Compression Spring	60	Angle Lever
9	Compression Spring	35	Catch Bolt	61	Intermediate Lever
10	Pressure Pin	36	Elbow Spring	62	Bearing Plate, Right
11	Compression Spring for Pressure Pin	37	Catch Lever	63	Shank
12	Locking Catch	38	Catch Spring	64	Compression Spring
13	Clamping Sleeve	39	Disconnecter	65	Magazine Catch
14	Compression Spring	40	Cylindrical Pins	66	Combat Grip
15	Firing Pin Spring	41	Pull Bar	67	Raised Head Countersunk Screws
16	Firing Pin	42	Trigger Lever	68	Magazine Housing
17	Spiral Pin	43	Pull Bar Spring	69	Follower
18	Bolt Head	44	Indicator Pin	70	Follower Spring
19	Threaded Pin	45	Spiral Pin	71	Follower Spring Support
20	Compression Spring	46	Hammer	72	Magazine Floorplate
21	Catch Bolt	47	Stop Pin	73	Ejector
22	Cylindrical Pin	48	Disconnecter Spring	74	Ejector Spring
23	Bolt Head Carrier	49	Hammer Axle	75	Magazine Catch Pin
24	Support	50	Threaded Bushing	76	Flanged Bush
25	Sleeve	51	Raised Countersunk Head Screw		
26	Raised Countersunk Head Screw	52	Trigger Guard		

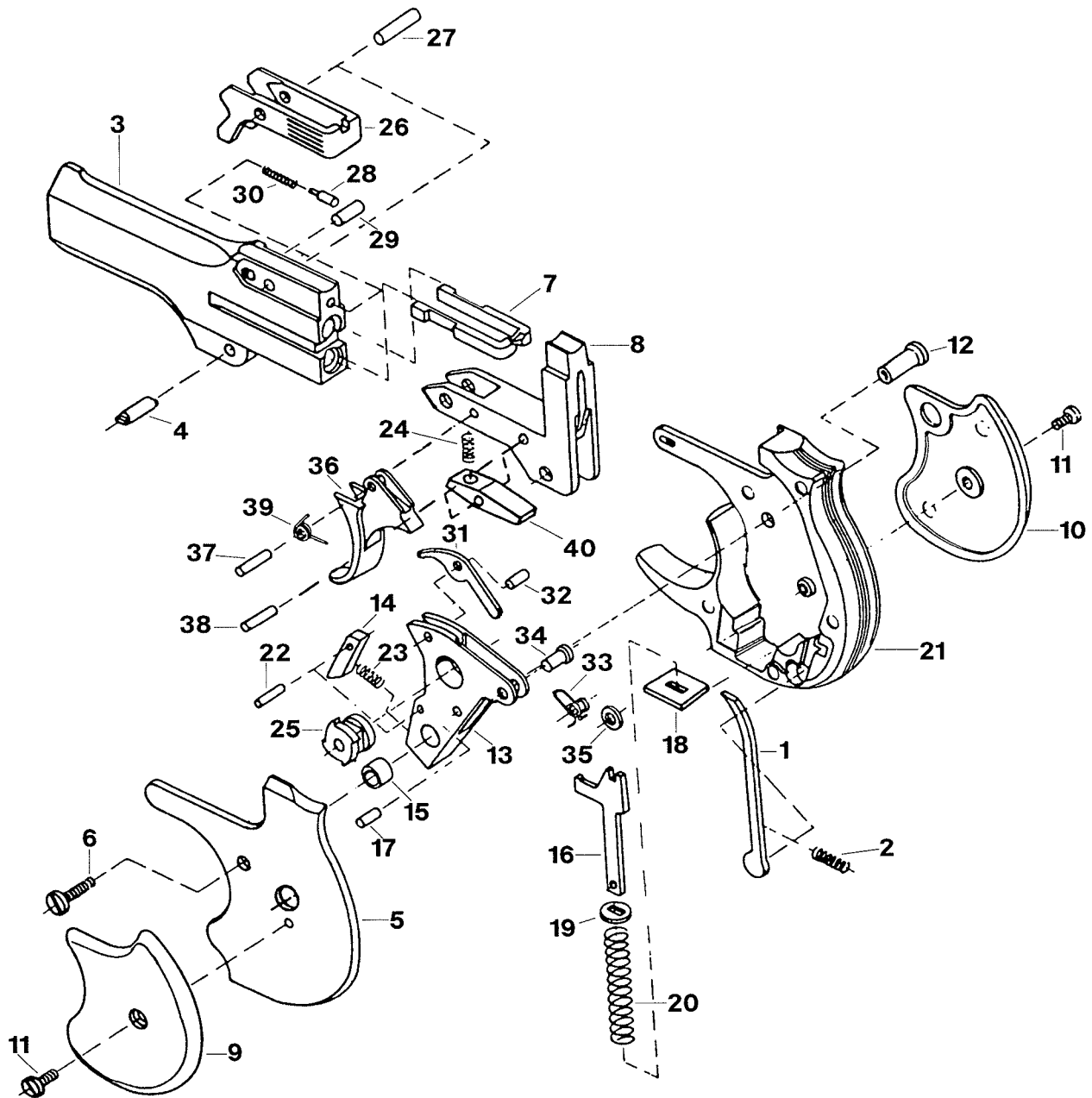


1	Receiver	26	Roller Holder Roll Pin	50	Sear Spring with Roller
2	Cocking Tube Cap	27	Roller Holder	51	Trigger and Sear Pins
3	Front Sight Element	28	Locking Rollers	52	Hammer Pin
4	Front Sight Element Pin	29	Bolt Head	53	Trigger Housing
5	Cocking Handle	30	Bolt Head Locking Piece	54	Sear
6	Cocking Handle Roll Pin	31	Firing Pin Spring	55	Sear Spring Pin
7	Cocking Handle Support	32	Firing Pin	56	Sear Spring Plunger
8	Plunger	33	Butt Cap Assembly	57	Sear Spring
9	Plunger Spring	34	Butt Cap Sling Ring	58	Trigger Spring
10	Cartridge Case Deflector	35	Butt Cap Sling Ring Retainer	59	Trigger
11	Case Deflector Rivets	36	Rear Sight Drum	60	Safety-Lever
12	Magazine Catch	37	Rear Sight Base	61	Grip Frame
13	Magazine Catch Spring	38	Windage Adjustment Springs	62	Grip
14	Magazine Catch Button	39	Windage Adjustment Screws	63	Grip Screw Lock Washer
15	Magazine Catch Roll Pin	40	Sight Base Mounting Screw	64	Grip Screw
16	Stop Pin	41	Sight Base Mounting Screw	65	Forend Pin
17	Stop Pin Rivets		Spring Washer	66	Forend
18	Guide Ring	42	Sight Base Flat Washer	67	Magazine Body
19	Recoil Spring	43	Ejector	68	Magazine Follower
20	Recoil Spring Tube	44	Ejector Spring	69	Magazine Spring
21	Bolt Head Carrier	45	Hammer with Strut	70	Magazine Spring Locking Plate
22	Bolt Head Carrier Roll Pin	46	Hammer Spring	71	Magazine Floorplate
23	Locking Piece Stop Pin	47	Ejector Axle	72	Sight Base Ball Detent
24	Extractor Spring	48	Ejector Axle Spring	73	Sight Base Spring
25	Extractor	49	Spacer Sleeve		

VP70Z Auto

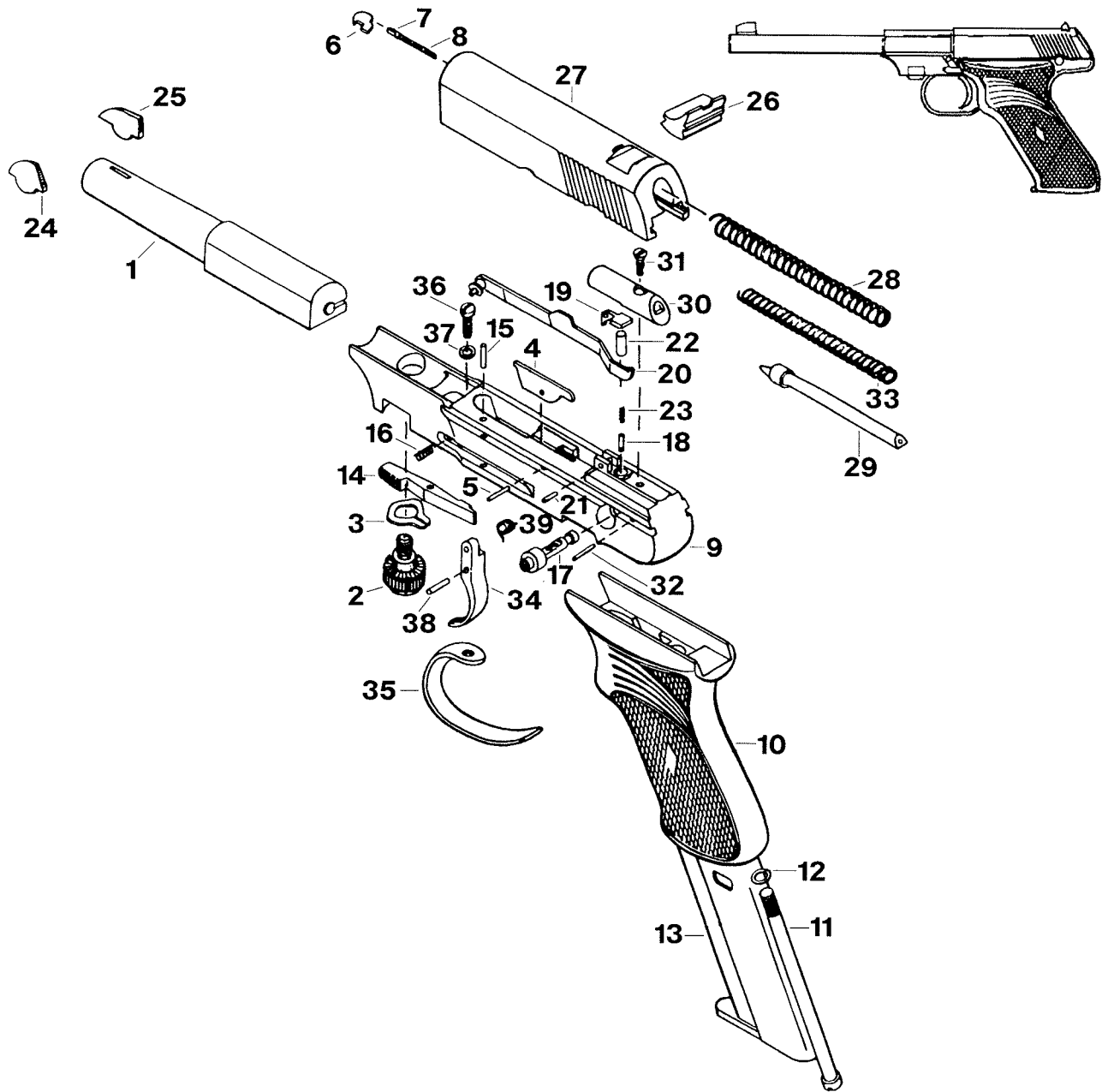


1	Slide	19	Elbow Spring Circlip	38	Buffer Bolt
2	Extractor	20	Trigger Lever Driver Control Lever	39	Buffer Bolt Roll Pin
3	Extractor Plunger	21	Trigger	40	Compression Spring
4	Extractor Spring	22	Trigger Spring	41	Retaining Bushing
5	Rear Sight	23	Trigger Spring Plunger	42	Retaining Catch
6	Firing Pin Spring	24	Trigger Spring Support Plate	43	Safety Button
7	Firing Pin	25	Drop Safety	44	Safety Button Guide Bushing
8	Firing Pin Spring Guide Rod	26	Drop Safety Compression Spring	45	Safety Button Locking Bushing
9	Firing Pin Spring Guide Rod Bushing	27	Catch Fork	46	Safety Button Retaining Pin
10	Firing Pin Spring	28	Guide Roller	47	Magazine Catch
11	Slide Cap Retaining Pin	29	Guide Roller Pin	48	Magazine Catch Screw
12	Slide Cap	30	Recoil Spring	49	Magazine Catch Spring
13	Trigger Lever, Right	31	Receiver with Barrel	50	Magazine Body
14	Trigger Lever, Left	32	Buffer Spring Threaded Ring	51	Magazine Follower
15	Trigger Lever Driver	33	Buffer Spring Guide Bolt	52	Magazine Spring
16	Trigger Lever Guide Bolts	34	Buffer Spring Brake Ring	53	Magazine Spring Locking Plate
17	Elbow Spring Axle	35	Buffer Spring Contact Piece	54	Magazine Floorplate
18	Elbow Spring	36	Inner Buffer Spring		
		37	Outer Buffer Spring		



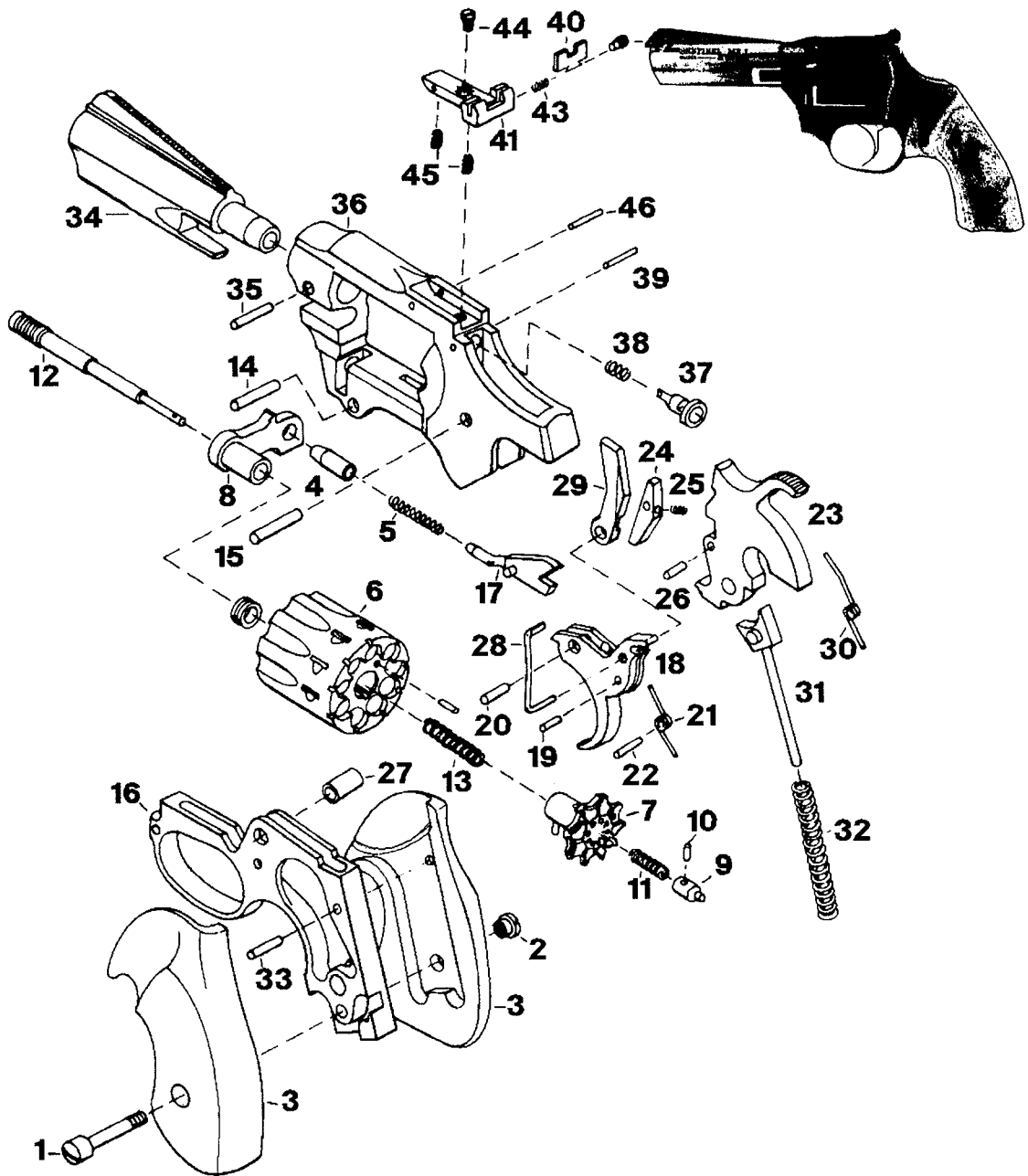
1	Actuator	15	Hammer Pivot Sleeve	29	Stirrup Roller
2	Actuator Spring	16	Hammer Strut	30	Stirrup Plunger Spring
3	Barrel	17	Hammer Strut Pin	31	Striker
4	Barrel Pivot Pin	18	Hammer Strut Plate	32	Striker Pivot Pin
5	Cover Plate	19	Hammer Strut Washer	33	Striker Spring
6	Cover Plate Screw	20	Hammer Spring	34	Striker Spring Retaining Pin
7	Extractor	21	Housing	35	Striker Spring Spacer Washer
8	L Frame	22	Hammer Pawl Pin	36	Trigger
9	Grip, Left	23	Hammer Pawl Spring	37	Trigger Pivot Pin
10	Grip, Right	24	Hammer Safety Block Spring	38	Hammer Safety Block Pin
11	Grip Screws	25	Ratchet	39	Trigger Spring
12	Hammer Pivot Screw	26	Stirrup	40	Hammer Safety Block
13	Hammer	27	Stirrup Pivot Pin		
14	Hammer Pawl	28	Stirrup Plunger		

Duramatic Auto



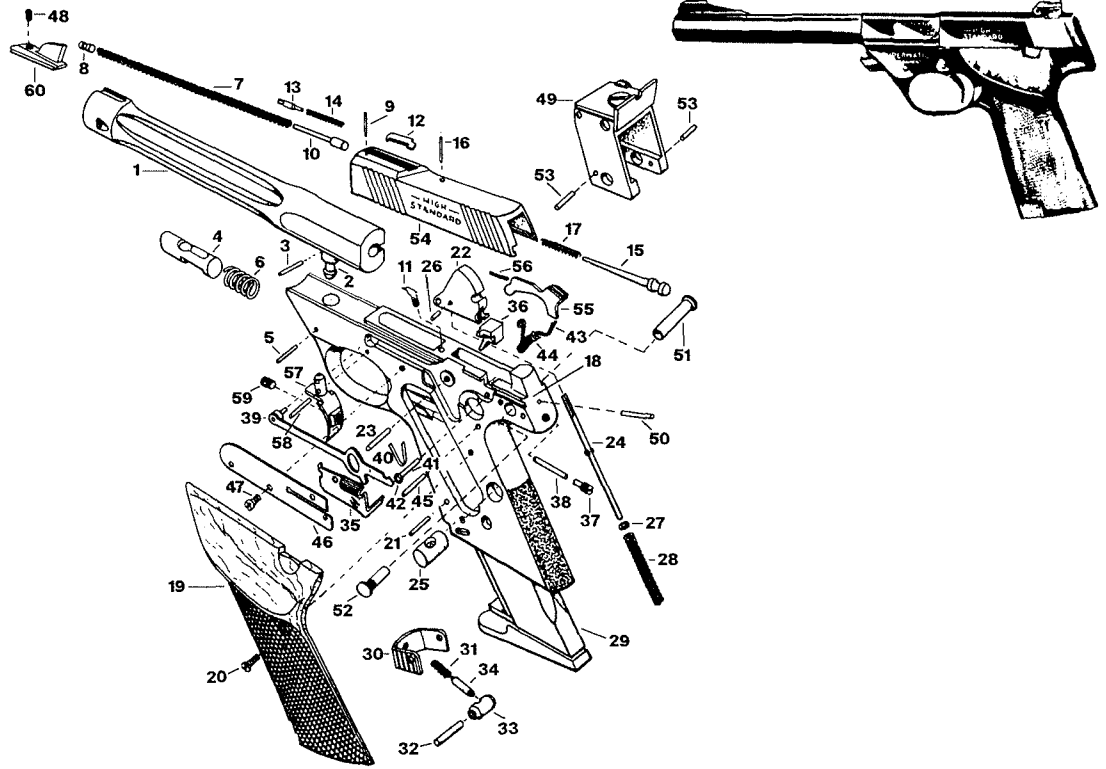
1	Barrel and Front Sight Assembly	17	Safety	32	Striker Sleeve Screw Locking Pin
2	Barrel Screw	18	Safety Detent	33	Striker Spring
3	Barrel Nut Lockwasher	19	Sear	34	Trigger
4	Ejector	20	Sear Bar and Trigger<R>Pull Pin Assembly	35	Trigger Guard
5	Ejector Pin	21	Sear Pin	36	Trigger Guard Screw
6	Extractor	22	Sear Plunger	37	Trigger Guard Screw Lock Washer
7	Extractor Plunger	23	Sear Spring	38	Trigger Pin
8	Extractor Spring	24	Front Sight, Short Barrel	39	Trigger Spring
9	Frame	25	Front Sight, Long Barrel		
10	Grip	26	Rear Sight	Parts Not Shown	
11	Grip Bolt	27	Slide		Magazine Button
12	Grip Bolt Washer	28	Slide Spring		Magazine Follower
13	Magazine Assembly	29	Striker		Magazine Spring
14	Magazine Catch	30	Striker Sleeve		Trigger Pull Pin
15	Magazine Catch Pin	31	Striker Sleeve Screw		
16	Magazine Catch Spring				

Mark I Sentinel Revolver



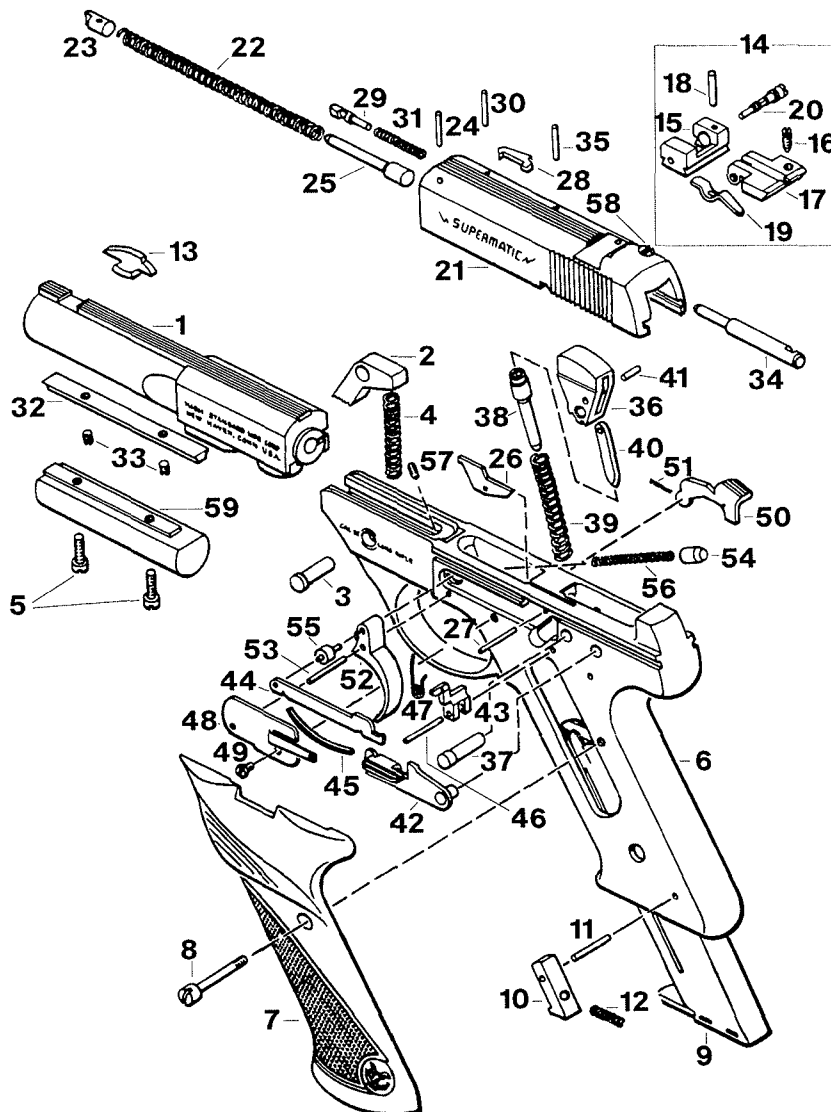
1	Grip Screw	17	Cylinder Stop Assembly	33	Grip Alignment Pin
2	Escutcheon Nut	18	Trigger	34	Barrel
3	Grips	19	Trigger Spring Contact Pin	35	Barrel Retention Pin
4	Link Pivot Pin	20	Trigger Pivot Pin	36	Frame
5	Cylinder Stop Spring	21	Trigger Spring	37	Firing Pin
6	Cylinder	22	Trigger Spring Returning Pin	38	Firing Pin Spring
7	Ejector	23	Hammer	39	Firing Pin Retention Pin
8	Crane Assembly	24	Hammer Pawl	40	Rear Sight Blade
9	Cylinder Lock Plunger	25	Hammer Pawl Spring	41	Rear Sight Base
10	Cylinder Lock Plunger Pin	26	Hammer Pawl Pin	42	Windage Screw
11	Cylinder Lock Plunger Spring	27	Hammer Sleeve	43	Windage Spring
12	Ejector Rod	28	Hammer Safety Stop	44	Elevation Screw
13	Ejector Rod Return Spring	29	Hand	45	Elevation Springs
14	Trigger Guard Assembly Pin	30	Hand Spring	46	Rear Sight Pin
15	Hammer Pivot Pin	31	Hammer Spring Guide Assembly		
16	Trigger Guard	32	Hammer Spring		

Military Model 107 Auto



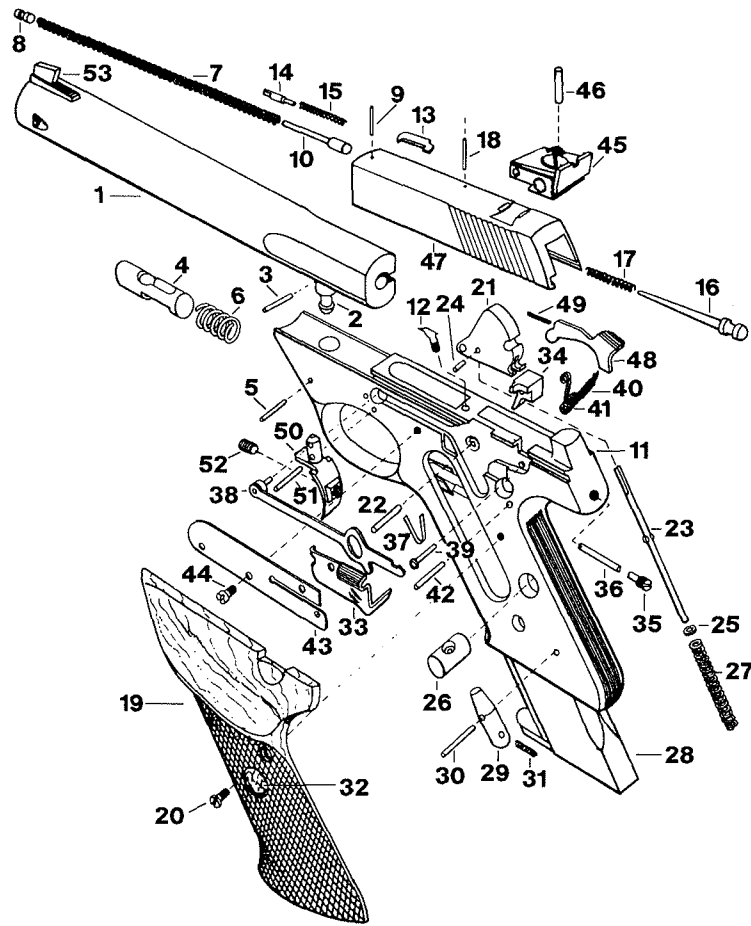
1	Barrel	33	Magazine Catch Roller	Barrel Weight Lock Screws
2	Barrel Stud	34	Magazine Catch Spring Guide Pin	Grip Screw Washer
3	Barrel Stud Retaining Pin	35	Safety	Magazine Button
4	Barrel Takedown Plunger	36	Sear	Magazine Follower
5	Barrel Takedown Plunger Pin	37	Sear Adjustment Screw	Magazine Spring
6	Barrel Takedown Plunger Spring	38	Sear Adjustment Screw Plunger	Rear Sight Base
7	Driving Spring	39	Sear Bar and Trigger Pull Pin Assembly	Rear Sight Base Bracket
8	Driving Spring Plug	40	Sear Bar Spring	Rear Sight Cross Member
9	Driving Spring Plug Pin	41	Sear Pin	Rear Sight Elevation Adjustment Screw
10	Driving Spring Plunger	42	Sear Pin Retaining Ring	Rear Sight Elevation Ball
11	Ejector	43	Sear Spring	Rear Sight Elevation Detent Plunger
12	Extractor	44	Sear Spring Leg Retainer	Rear Sight Elevation Plunger
13	Extractor Plunger	45	Sear Spring Pin	Rear Sight Elevation Spring
14	Extractor Spring	46	Sideplate	Rear Sight Leaf
15	Firing Pin	47	Sideplate Screw	Rear Sight Leaf Pivot Pin
16	Firing Pin Retaining Pin	48	Front Sight Screw	Rear Sight Windage Screw
17	Firing Pin Spring	49	Rear Sight Adjustable Assembly	Rear Sight Retaining Pin
18	Frame	50	Rear Sight Base Frame Assembly Pins	Rear Sight Windage Detent Plunger
19	Grips	51	Rear Sight Base Sleeve	Rear Sight Windage Detent Plunger Spring
20	Grip Screw	52	Rear Sight Base Stud	Rear Sight Windage Spring
21	Grip Alignment Pin	53	Rear Sight Base Alignment Pins	Slide Assembly
22	Hammer	54	Slide	Weight
23	Hammer Pin	55	Slide Lock Lever	Weight Bracket
24	Hammer Strut	56	Slide Lock Spring	
25	Hammer Strut Anchor Pin	57	Trigger	
26	Hammer Strut Pin	58	Trigger Pin	
27	Hammer Strut Washer	59	Trigger Stop Screw	
28	Hammer Spring	60	Front Sight Assembly	
29	Magazine Assembly			
30	Magazine Catch			
31	Magazine Catch Spring			
32	Magazine Catch Roller Pin			
		Parts Not Shown		
			Barrel Weight	
			Barrel Filler Screws	

Model 100 and 101 Auto

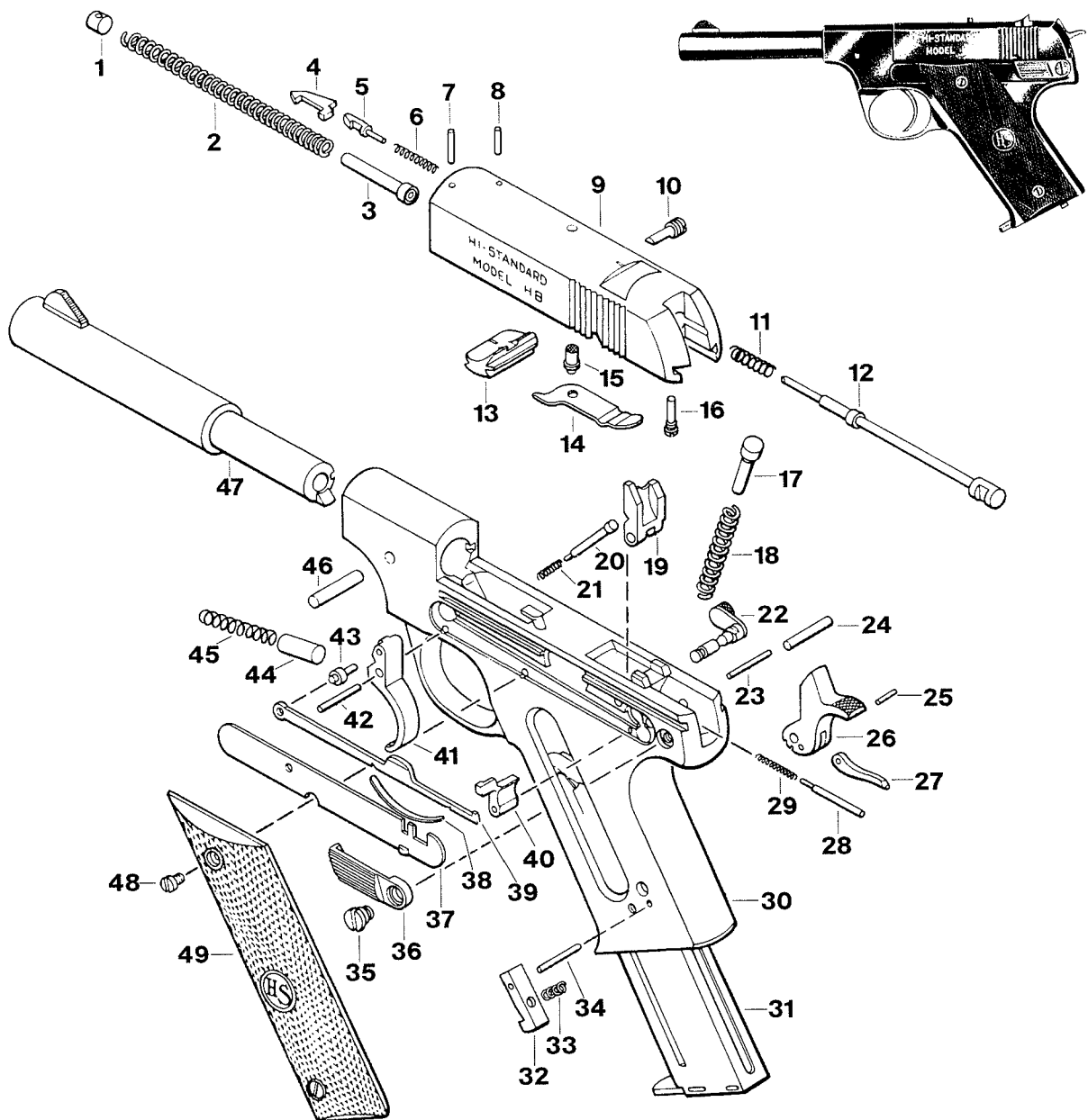


1	Barrel	22	Driving Spring	43	Sear
2	Barrel Catch	23	Driving Spring Plug	44	Sear Bar
3	Barrel Catch Pin	24	Driving Spring Plug Pin	45	Sear Bar Spring
4	Barrel Catch Spring	25	Driving Spring Plunger	46	Sear Pin
5	Barrel Weight Screws	26	Ejector	47	Sear Spring
6	Frame	27	Ejector Pin	48	Sideplate
7	Grips	28	Extractor	49	Sideplate Screw
8	Grip Screw	29	Extractor Plunger	50	Slide Lock Lever
9	Magazine	30	Extractor Plunger Retaining Pin	51	Slide Lock Spring
10	Magazine Catch	31	Extractor Spring	52	Trigger
11	Magazine Catch Pin	32	Filler Plate	53	Trigger Pin
12	Magazine Catch Spring	33	Filler Plate Screws	54	Trigger Plunger
13	Front Sight	34	Firing Pin	55	Trigger Pull Pin
14	Rear Sight, Fixed	35	Firing Pin Retaining Pin	56	Trigger Spring
15	Rear Sight Base	36	Hammer	57	Trigger Stop Screw
16	Rear Sight Elevation Screw	37	Hammer Pin	58	Wear Plug
17	Rear Sight Leaf	38	Hammer Plunger	59	Barrel Weight
18	Rear Sight Retaining Pin	39	Hammer Spring		
19	Rear Sight Spring	40	Hammer Strut	Parts Not Shown	
20	Rear Sight Windage Screw	41	Hammer Strut Pin		Grip Screw Nut
21	Slide	42	Safety-Lever		Grip Escutcheon
					Magazine Button

Model 104 Super Citation Auto

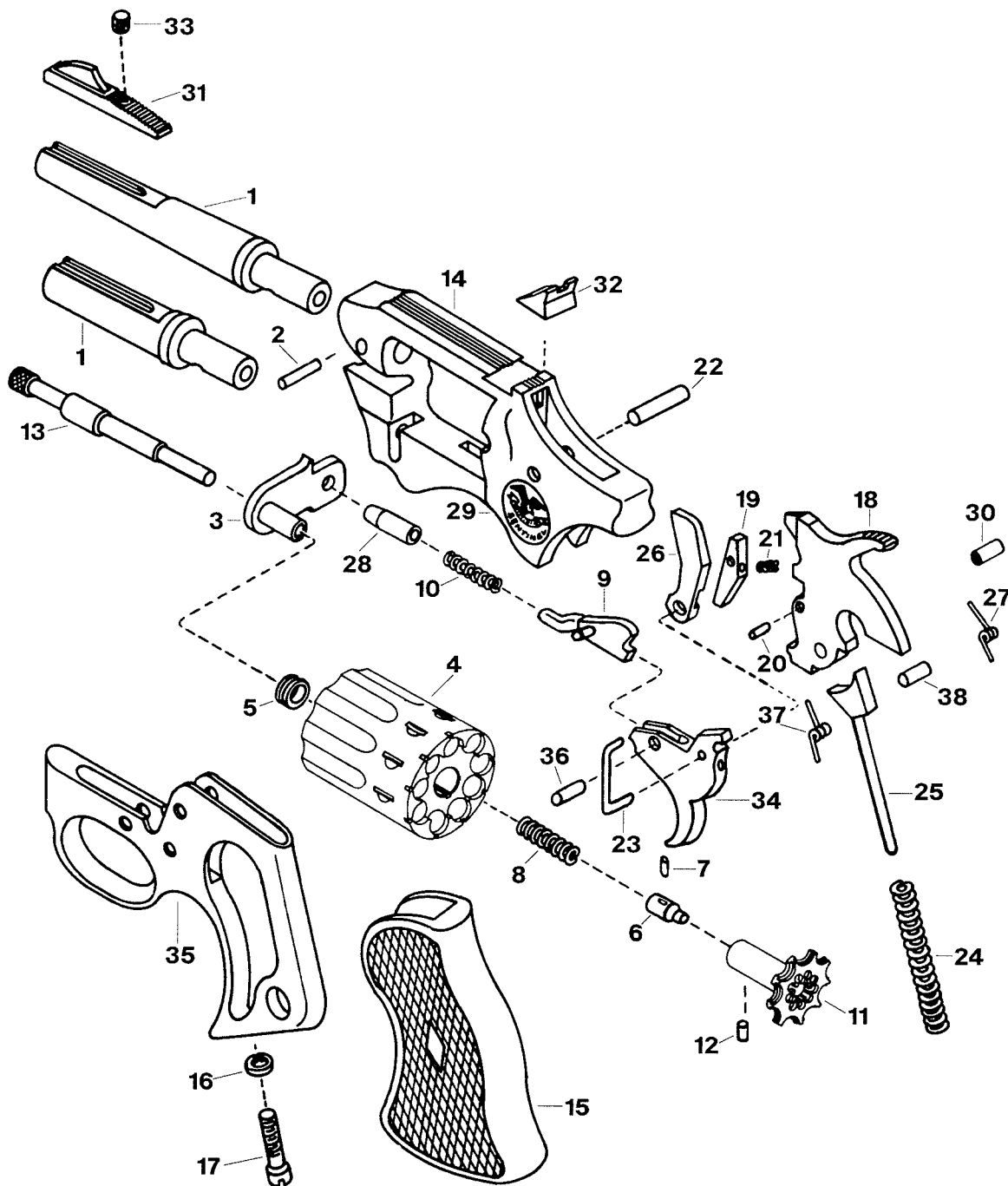


1	Barrel	29	Magazine Catch	Barrel Weight
2	Barrel Stud	30	Magazine Catch Pin	Barrel Weight Lock Screws
3	Barrel Stud Pin	31	Magazine Catch Spring	Grip Screw Washers
4	Barrel Takedown Plunger	32	Medallion	Magazine Button
5	Barrel Takedown Plunger Pin	33	Safety	Magazine Follower
6	Barrel Takedown Plunger Spring	34	Sear	Magazine Spring
7	Driving Spring	35	Sear Adjustment Screw	Front Sight Screw
8	Driving Spring Plug	36	Sear Adjustment Screw Plunger	Rear Sight Base
9	Driving Spring Plug Pin	37	Sear Bar Spring	Rear Sight Cross Member
10	Driving Spring Plunger	38	Sear Bar and Trigger Pull Pin Assembly	Rear Sight Elevation Screw
11	Frame	39	Sear Pin	Rear Sight Elevation Ball
12	Ejector	40	Sear Spring Leg Retainer	Rear Sight Elevation Detent Plunger
13	Extractor	41	Adjustable Sear Spring	Rear Sight Elevation Spring
14	Extractor Plunger	42	Sear Spring Pin	Rear Sight Leaf
15	Extractor Spring	43	Sideplate	Rear Sight Leaf Pivot Pin
16	Firing Pin	44	Sideplate Screw	Rear Sight Windage Screw
17	Firing Pin Spring	45	Adjustable Rear Sight	Rear Sight Windage Detent
18	Firing Pin Retaining Pin	46	Rear Sight Retaining Pin	Plunger Spring
19	Grips	47	Slide	Rear Sight Windage Spring
20	Grip Screws	48	Slide Lock Lever	Weight Bracket
21	Hammer	49	Slide Lock Spring	Weight
22	Hammer Pin	50	Trigger	Weight Screw
23	Hammer Strut	51	Trigger Pin	
24	Hammer Strut Pin	52	Trigger Stop Screw	
25	Hammer Strut Ring	53	Front Sight	
26	Hammer Strut Anchor Pin			
27	Hammer Spring			
28	Magazine Assembly			
		Parts Not Shown		
		Barrel Filler Screws		



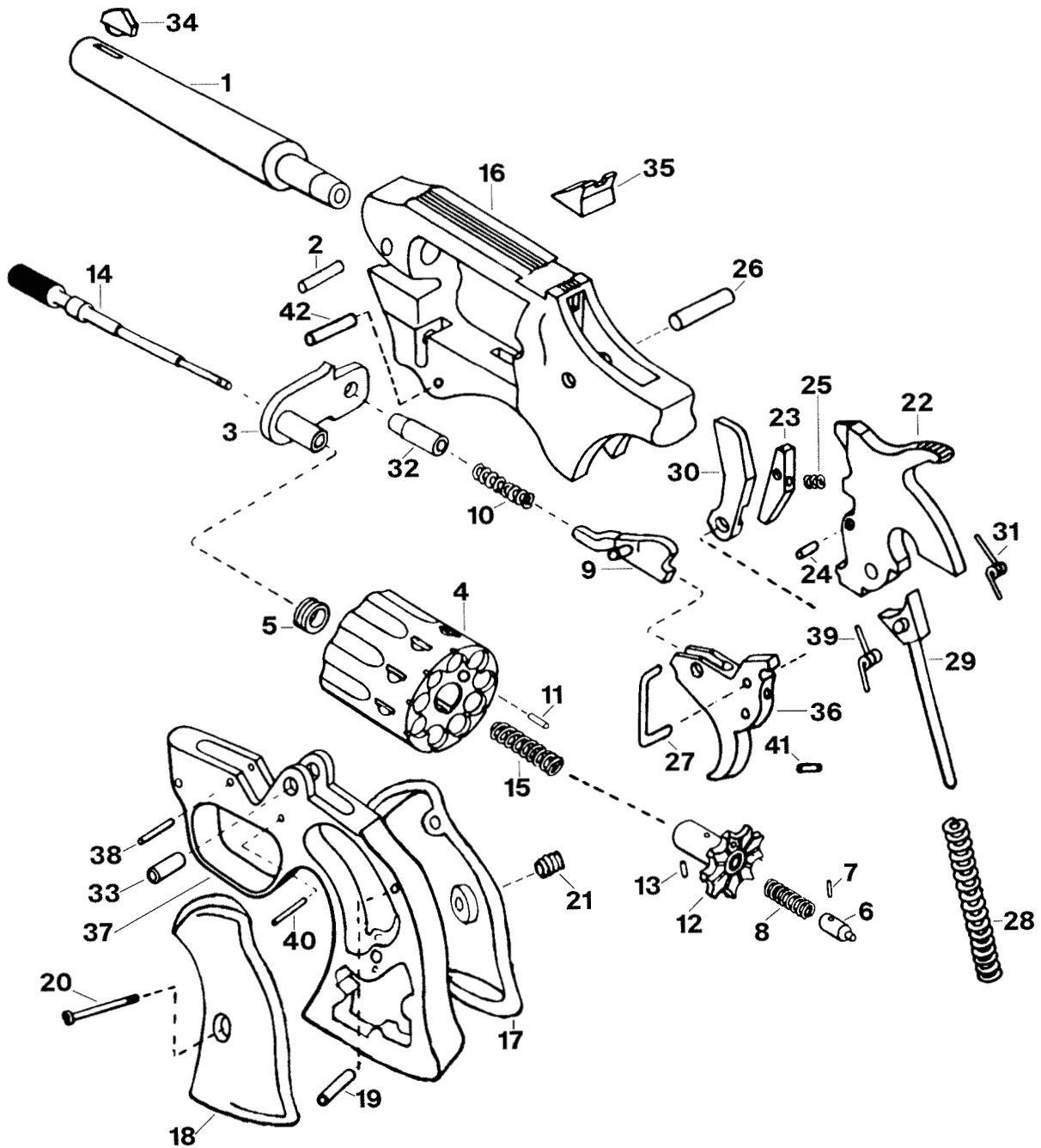
1	Recoil Spring Stop	18	Mainspring	35	Safety Catch Screw
2	Recoil Spring	19	Slide Stop	36	Safety Catch
3	Recoil Spring Guide	20	Slide Stop Plunger	37	Sideplate
4	Extractor	21	Slide Stop Spring	38	Trigger Bar Spring
5	Extractor Plunger	22	Takedown Latch	39	Trigger Bar
6	Extractor Spring	23	Sear Pin	40	Sear
7	Recoil Spring Stop Pin	24	Hammer Pin	41	Trigger
8	Extractor Pin	25	Hammer Strut Pin	42	Trigger Pin
9	Slide	26	Hammer	43	Pull Pin
10	Assembly Lock Screw	27	Hammer Strut	44	Trigger Spring Plunger
11	Firing Pin Spring	28	Sear Plunger	45	Trigger Spring
12	Firing Pin	29	Sear Spring	46	Barrel Pin
13	Rear Sight	30	Frame	47	Barrel
14	Assembly Lock Plunger	31	Magazine Assembly	48	Grip Screws
15	Assembly Lock	32	Magazine Catch	49	Grip, Left
16	Firing Pin Retaining Screw	33	Magazine Catch Spring		
17	Mainspring Guide	34	Magazine Catch Pin		

Model R-101 Revolver



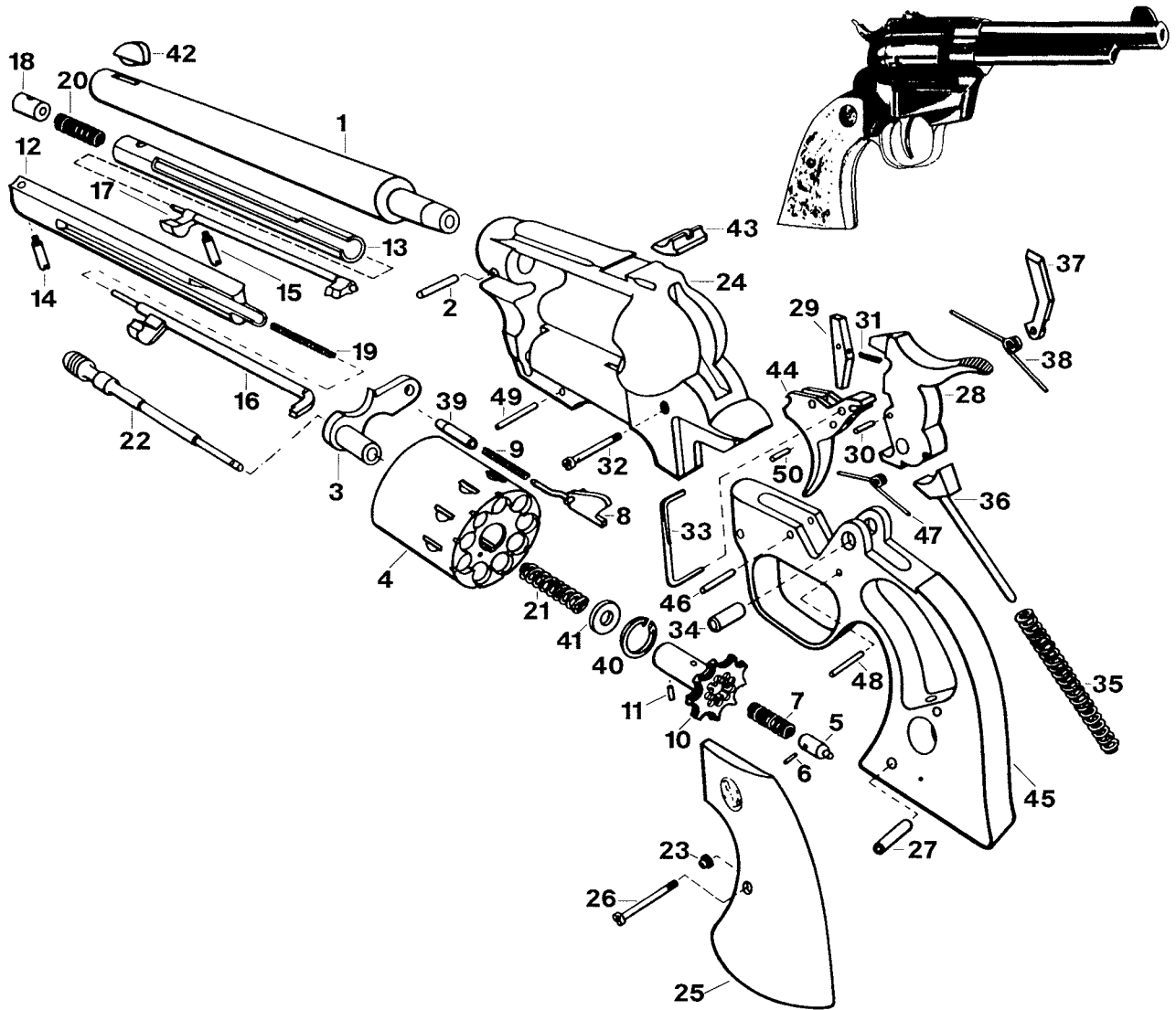
1	Barrels	14	Frame	27	Hand Spring
2	Barrel Pin	15	Grip	28	Link Pivot Pin
3	Crane Assembly	16	Grip Lockwasher	29	Monogram Insert
4	Cylinder	17	Grip Screw	30	Hammer Sleeve
5	Cylinder Bushing	18	Hammer	31	Front Sight
6	Cylinder Lock Plunger	19	Hammer Pawl	32	Rear Sight
7	Cylinder Lock Plunger Pin	20	Hammer Pawl Pin	33	Sight Set Screw
8	Cylinder Lock Plunger Spring	21	Hammer Pawl Spring	34	Trigger
9	Cylinder Stop Assembly	22	Hammer Pivot Pin	35	Trigger Guard
10	Cylinder Stop Spring	23	Hammer Safety Stop	36	Trigger Pivot Pin
11	Ejector	24	Hammer Spring	37	Trigger Spring
12	Ejector Alignment Dowel	25	Hammer Spring Guide Assembly	38	Trigger Spring Retaining Pin
13	Ejector Rod	26	Hand		

Model R-108 Revolver



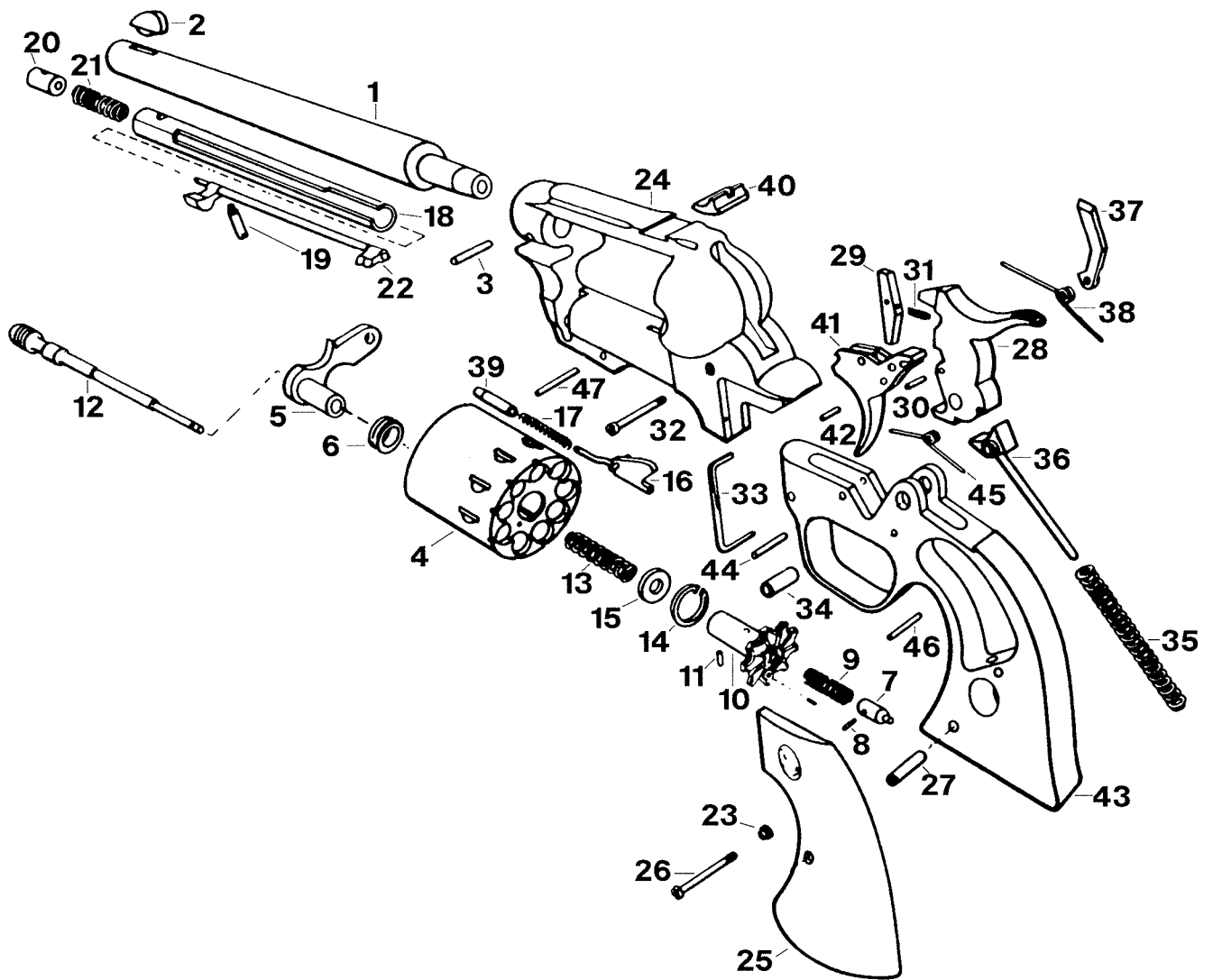
1	Barrel	15	Ejector Rod Return Spring	29	Hammer Spring Guide Assembly
2	Barrel Pin	16	Frame	30	Hand
3	Crane Assembly	17	Grip, Right	31	Hand Spring
4	Cylinder	18	Grip, Left	32	Link Pivot Pin
5	Cylinder Bushing	19	Grip Alignment Pin	33	Hammer Sleeve
6	Cylinder Lock Plunger	20	Grip Screw	34	Sight, Front
7	Cylinder Lock Plunger Pin	21	Grip Escutcheon Nut	35	Sight, Rear
8	Cylinder Lock Plunger Spring	22	Hammer	36	Trigger
9	Cylinder Stop Assembly	23	Hammer Pawl	37	Trigger Guard
10	Cylinder Stop Spring	24	Hammer Pawl Pin	38	Trigger Pivot Pin
11	Cylinder Ejector Alignment Pin	25	Hammer Pawl Spring	39	Trigger Spring
12	Ejector	26	Hammer Pivot Pin	40	Trigger Spring Retaining Pin
13	Ejector Alignment Dowel	27	Hammer Safety Stop	41	Trigger Spring Contact Pin
14	Ejector Rod	28	Hammer Spring	42	Trigger Guard Assembly Pin

Model W-102 and Model W-103 Revolver



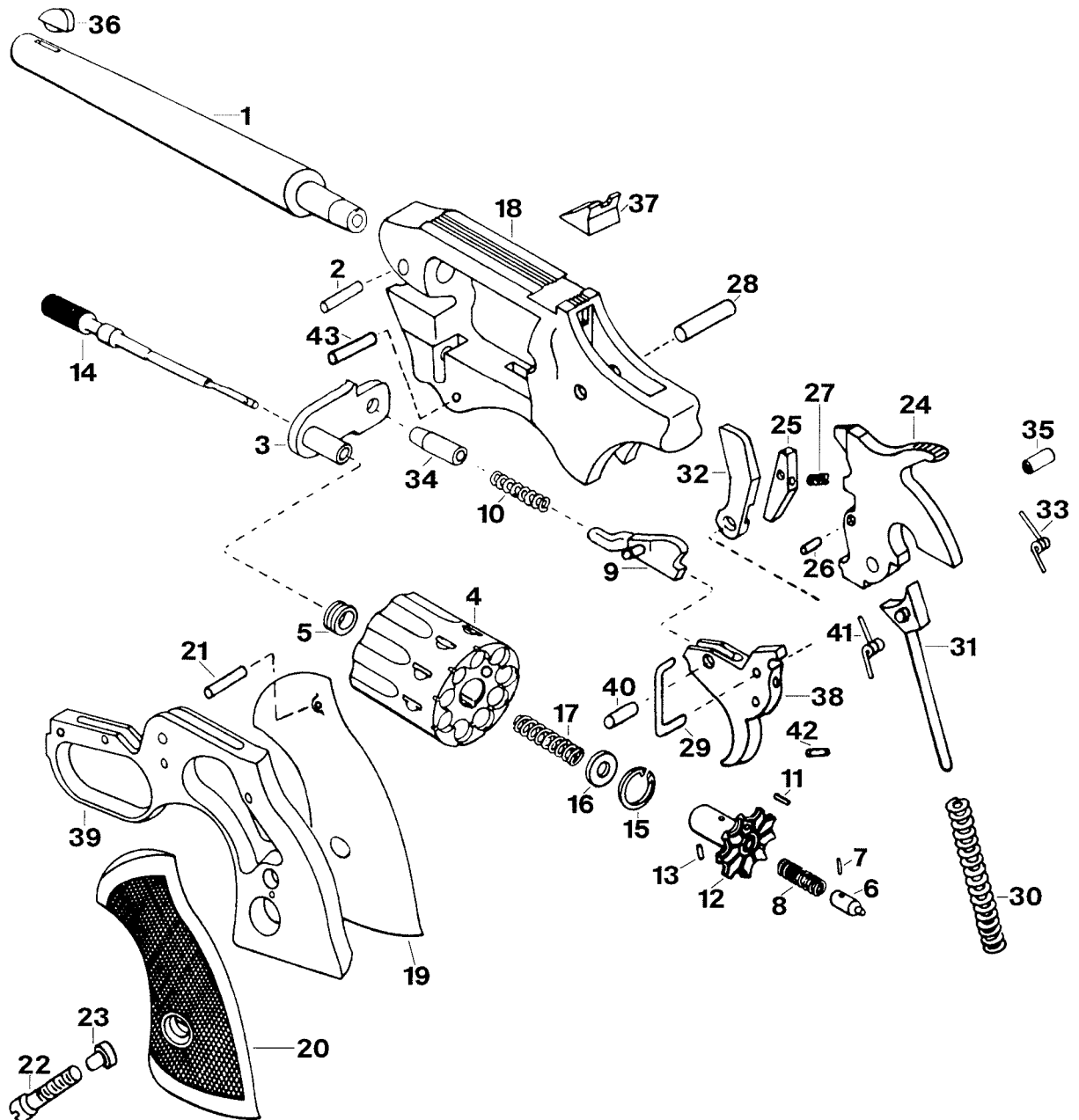
1	Barrel	16	Ejector Latch Rod Assembly	32	Hammer Pivot Screw
2	Barrel Pin	17	Ejector Latch Rod Assembly (Model W-103)	33	Hammer Safety Stop
3	Crane Assembly	18	Ejector Latch Housing Plug (Model W-102)	34	Hammer Sleeve
4	Cylinder	19	Ejector Latch Rod Spring (Model W-102)	35	Hammer Spring
5	Cylinder Lock Plunger	20	Ejector Latch Rod Spring (Model W-103)	36	Hammer Spring Guide
6	Cylinder Lock Plunger Pin	21	Ejector Rod Return Spring	37	Head Assembly
7	Cylinder Lock Plunger Spring	22	Ejector Rod	38	Hand
8	Cylinder Stop Assembly	23	Escutcheon Nut	39	Hand Spring
9	Cylinder Stop Spring	24	Frame	40	Link Pivot Pin
10	Ejector	25	Grips	41	Retaining Ring
11	Ejector Alignment Dowel	26	Grip Screw	42	Return Spring Washer
12	Ejector Latch Housing (Model W-102)	27	Grip Alignment Pin	43	Front Sight
13	Ejector Latch Housing (Model W-103)	28	Hammer	44	Rear Sight
14	Ejector Latch Housing Screw (Model W-102)	29	Hammer Pawl	45	Trigger
15	Ejector Latch Housing Screw (Model W-103)	30	Hammer Pawl Pin	46	Trigger Guard
		31	Hammer Pawl Spring	47	Trigger Pivot Pin
				48	Trigger Spring
				49	Trigger Spring Retaining Pin
				50	Trigger Guard Assembly Pin
					Trigger Spring Contact Pin

Model W-104 and Model W-105 Revolver



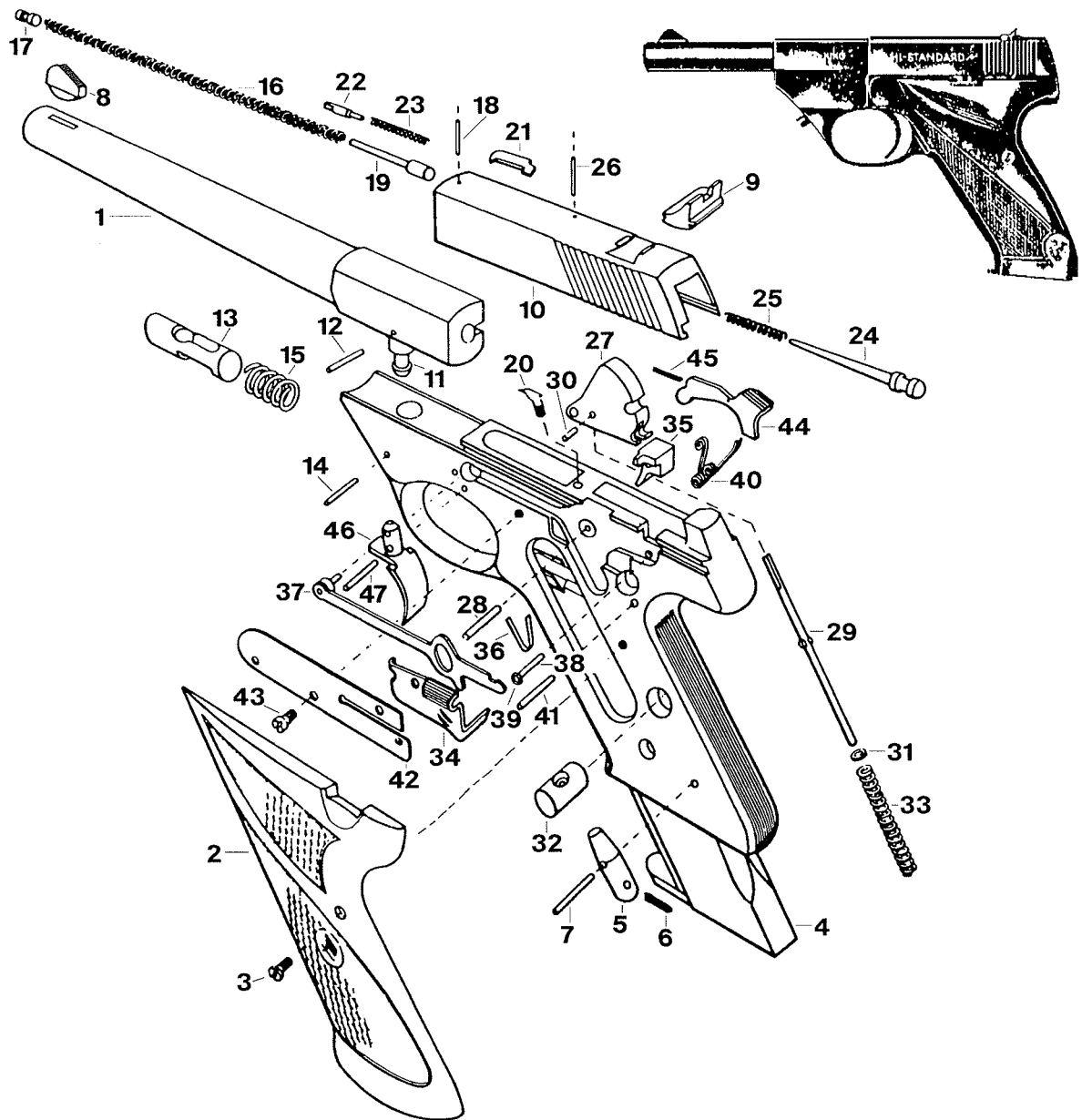
1	Barrel	17	Cylinder Stop Spring	33	Hammer Safety Stop
2	Front Sight	18	Ejector Latch Housing	34	Hammer Sleeve
3	Barrel Pin	19	Ejector Latch Housing Screw	35	Hammer Spring
4	Cylinder	20	Ejector Latch Housing Plug	36	Hammer Spring Guide Head Assembly
5	Crane Assembly	21	Ejector Latch Rod Spring	37	Hand
6	Cylinder Bushing	22	Ejector Latch Rod Assembly	38	Hand Spring
7	Cylinder Lock Plunger	23	Escutcheon Nut	39	Link Pivot Pin
8	Cylinder Lock Plunger Pin	24	Frame	40	Rear Sight
9	Cylinder Lock Plunger Spring	25	Grips	41	Trigger
10	Ejector	26	Grip Screw	42	Trigger Spring Contact Pin
11	Ejector Alignment Dowel	27	Grip Alignment Pin	43	Trigger Guard
12	Ejector Rod	28	Hammer	44	Trigger Pivot Pin
13	Ejector Rod Return Spring	29	Hammer Pawl	45	Trigger Spring
14	Retaining Ring	30	Hammer Pawl Pin	46	Trigger Spring Retaining Pin
15	Return Spring Washer	31	Hammer Pawl Spring	47	Trigger Guard Assembly Pin
16	Cylinder Stop Assembly	32	Hammer Pivot Screw		

Sentinel Deluxe Revolver



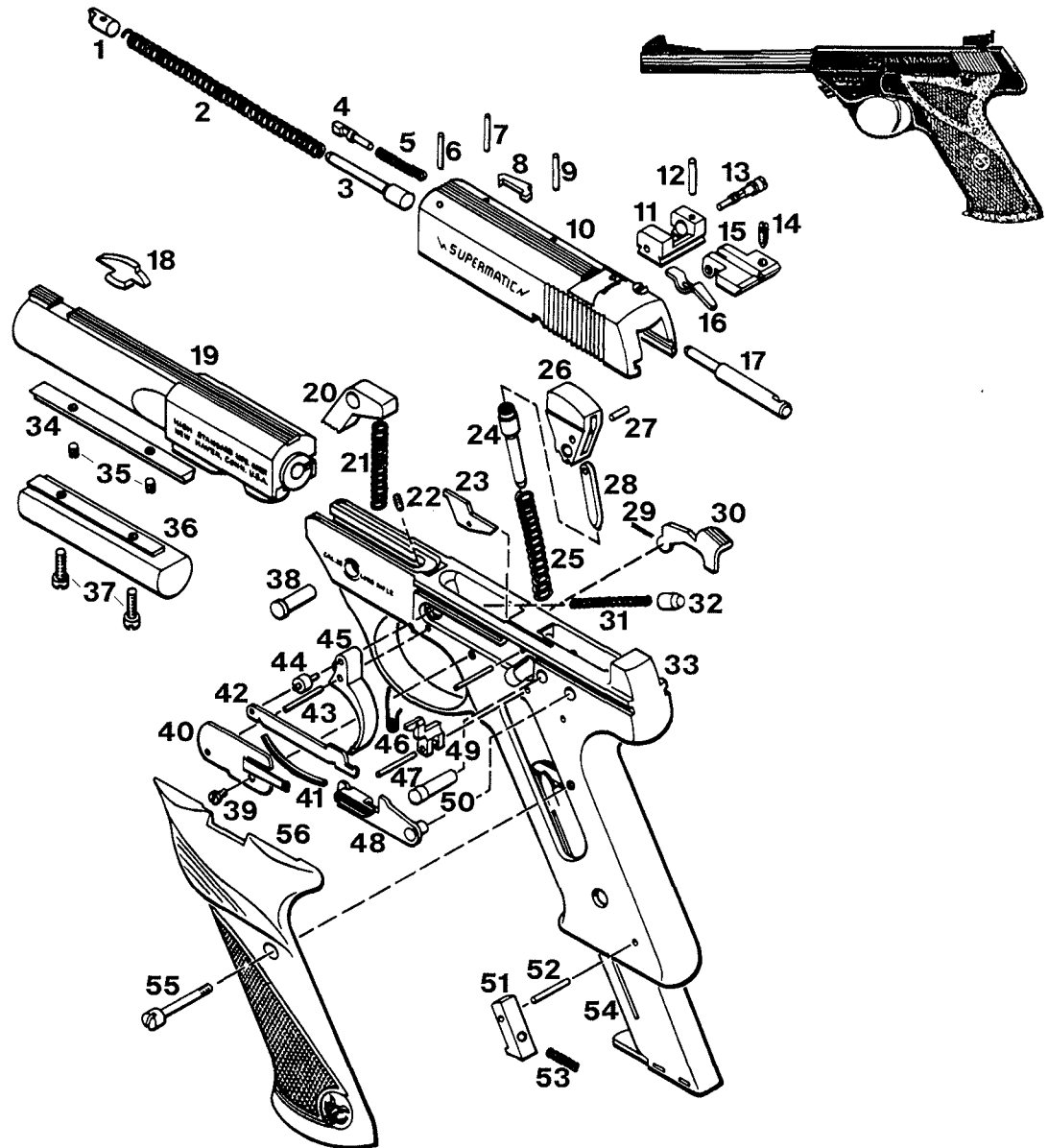
1	Barrel	16	Ejector Rod Return Spring	31	Hammer Spring Guide Assembly
2	Barrel Pin	17	Ejector Rod Return Spring	32	Hand
3	Crane Assembly	18	Frame	33	Hand Spring
4	Cylinder	19	Grip, Right	34	Link Pivot Pin
5	Cylinder Bushing	20	Grip, Left	35	Hammer Sleeve
6	Cylinder Lock Plunger	21	Grip Alignment Pin	36	Front Sight
7	Cylinder Lock Plunger Pin	22	Grip Screw	37	Rear Sight
8	Cylinder Lock Plunger Spring	23	Grip Escutcheon Nut	38	Trigger
9	Cylinder Stop Assembly	24	Hammer	39	Trigger Guard
10	Cylinder Stop Spring	25	Hammer Pawl	40	Trigger Pivot Pin
11	Cylinder Ejector Alignment Pin	26	Hammer Pawl Pin	41	Trigger Spring
12	Ejector	27	Hammer Pawl Spring	42	Trigger Spring Contact Pin
13	Ejector Alignment Dowel	28	Hammer Pivot Pin	43	Trigger Guard Assembly Pin
14	Ejector Rod	29	Hammer Safety Stop		
15	Ejector Rod Retaining Ring	30	Hammer Spring		
				Parts Not Shown	
					Trigger Spring Retaining Pin

Sport King Auto



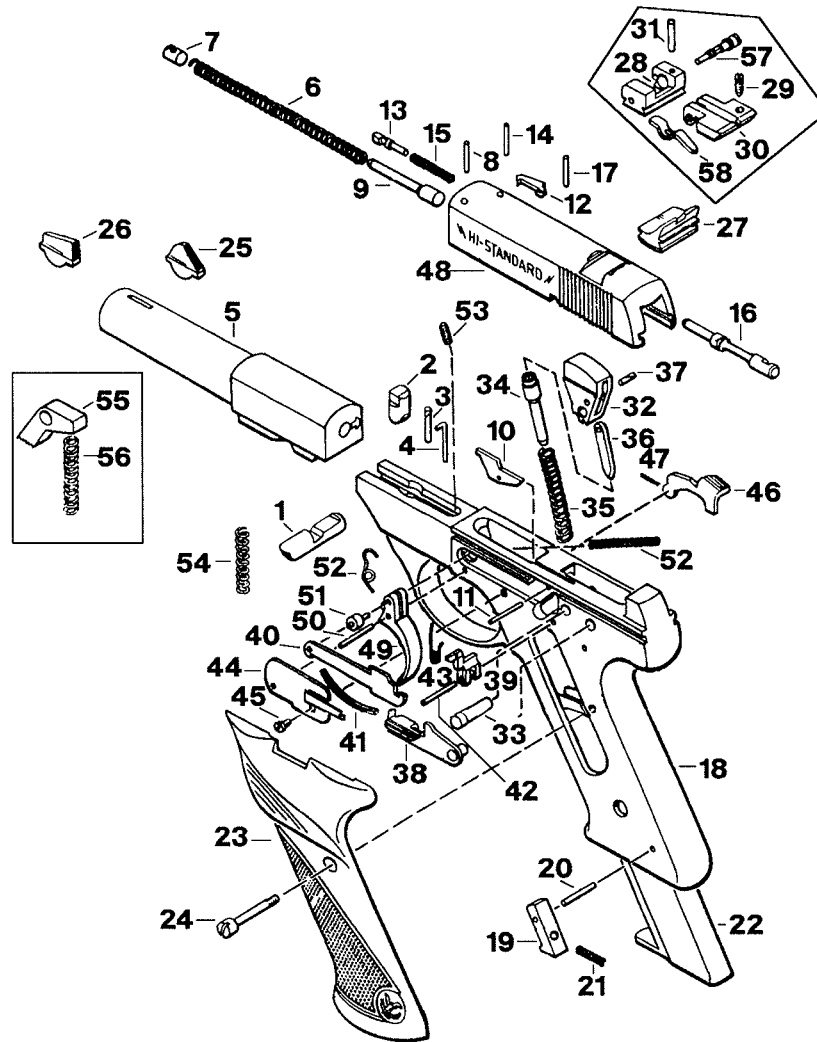
1	Barrel	19	Driving Spring Plunger	37	Sear Bar and Trigger Pull Pin Assembly
2	Grips	20	Ejector	38	Sear Pin
3	Grip Screw	21	Extractor	39	Sear Pin Retaining Ring
4	Magazine	22	Extractor Plunger	40	Sear Spring
5	Magazine Catch	23	Extractor Spring	41	Sear Spring Pin
6	Magazine Catch Spring	24	Firing Pin	42	Slideplate
7	Magazine Catch Pin	25	Firing Pin Spring	43	Slideplate Screw
8	Front Sight	26	Firing Pin Retaining Pin	44	Slide Lock Lever
9	Rear Sight	27	Hammer	45	Slide Lock Spring
10	Slide	28	Hammer Pin	46	Trigger
11	Barrel Stud	29	Hammer Strut	47	Trigger Pin
12	Barrel Stud Pin	30	Hammer Strut Pin		
13	Barrel Takedown Plunger	31	Hammer Strut Ring		
14	Barrel Takedown Plunger Pin	32	Hammer Strut Anchor Pin	Parts Not Shown	
15	Barrel Takedown Plunger Spring	33	Hammer Spring		Magazine Button
16	Driving Spring	34	Safety		Magazine Follower
17	Driving Spring Plug	35	Sear		Magazine Spring
18	Driving Spring Plug Pin	36	Sear Bar Spring		Medallion

Supermatic Auto



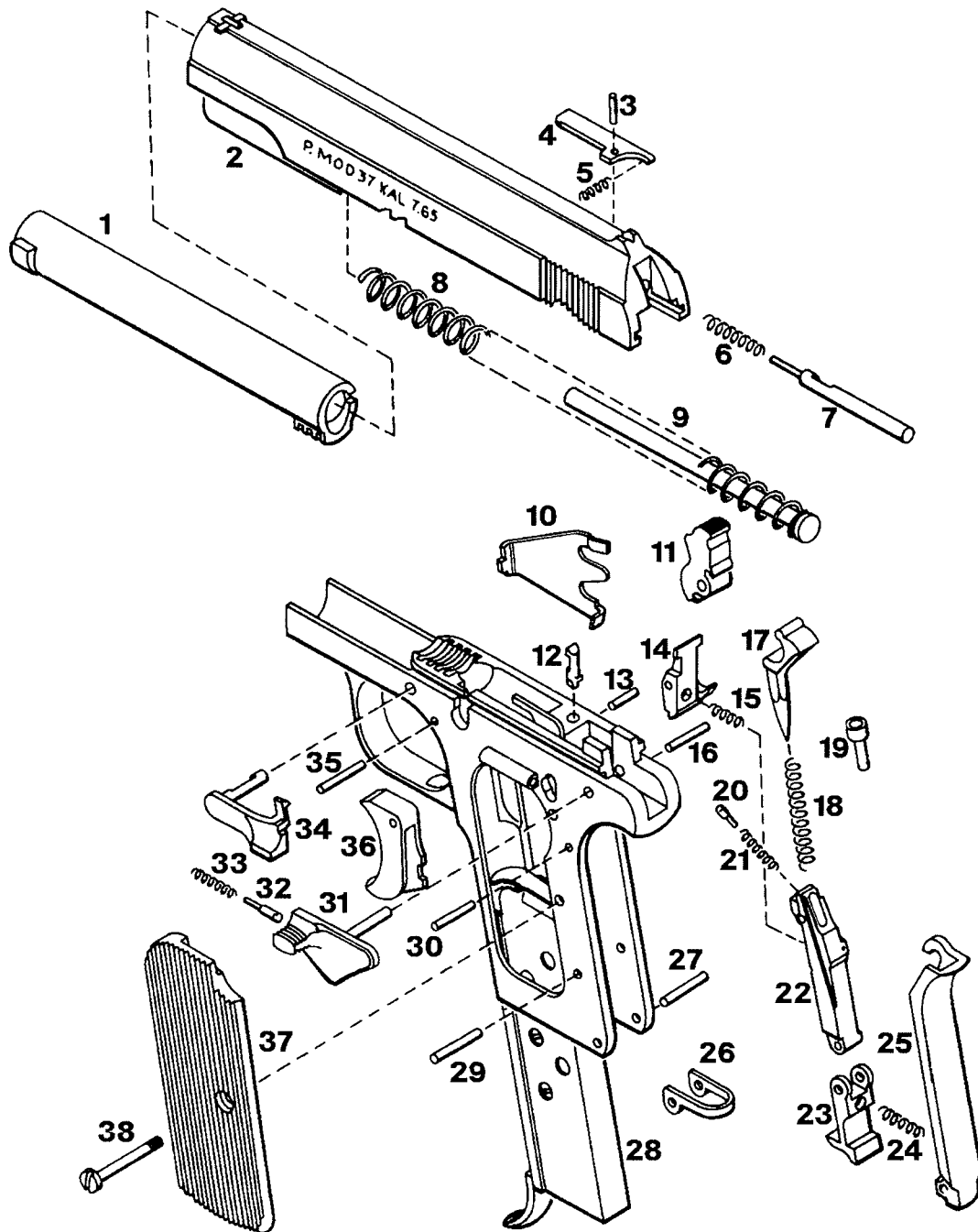
- | | | | | | |
|----|----------------------------|----|------------------------------|----|-----------------------|
| 1 | Driving Spring Plug | 20 | Takedown Plunger | 39 | Sideplate Screw |
| 2 | Driving Spring | 21 | Takedown Plunger Spring | 40 | Sideplate |
| 3 | Driving Spring Plunger | 22 | Trigger Stop Adjusting Screw | 41 | Trigger Bar Spring |
| 4 | Extractor Plunger | 23 | Ejector | 42 | Sear Bar |
| 5 | Extractor Spring | 24 | Hammer Spring Plunger | 43 | Trigger Pin |
| 6 | Driving Spring Plug Pin | 25 | Hammer Spring | 44 | Trigger Bar Stud |
| 7 | Extractor Limit Pin | 26 | Hammer | 45 | Trigger |
| 8 | Extractor | 27 | Hammer Strut Pin | 46 | Sear Spring |
| 9 | Firing Pin Retaining Pin | 28 | Hammer Strut | 47 | Sear Pin |
| 10 | Slide | 29 | Slide Stop Spring | 48 | Safety |
| 11 | Rear Sight Base | 30 | Slide Stop | 49 | Sear |
| 12 | Rear Sight Pin | 31 | Trigger Spring | 50 | Hammer Pivot |
| 13 | Windage Adjustment Screw | 32 | Trigger Spring Plunger | 51 | Magazine Catch |
| 14 | Elevation Adjustment Screw | 33 | Frame | 52 | Magazine Catch Pin |
| 15 | Rear Sight Blade | 34 | Weight Bracket | 53 | Magazine Catch Spring |
| 16 | Rear Sight Tension Spring | 35 | Bracket Screws | 54 | Magazine |
| 17 | Firing Pin | 36 | Barrel Weight | 55 | Grip Screw |
| 18 | Front Sight | 37 | Barrel Weight Screws | 56 | Grip Panel |
| 19 | Barrel | 38 | Takedown Plunger Pin | | |

Takedown Model Auto



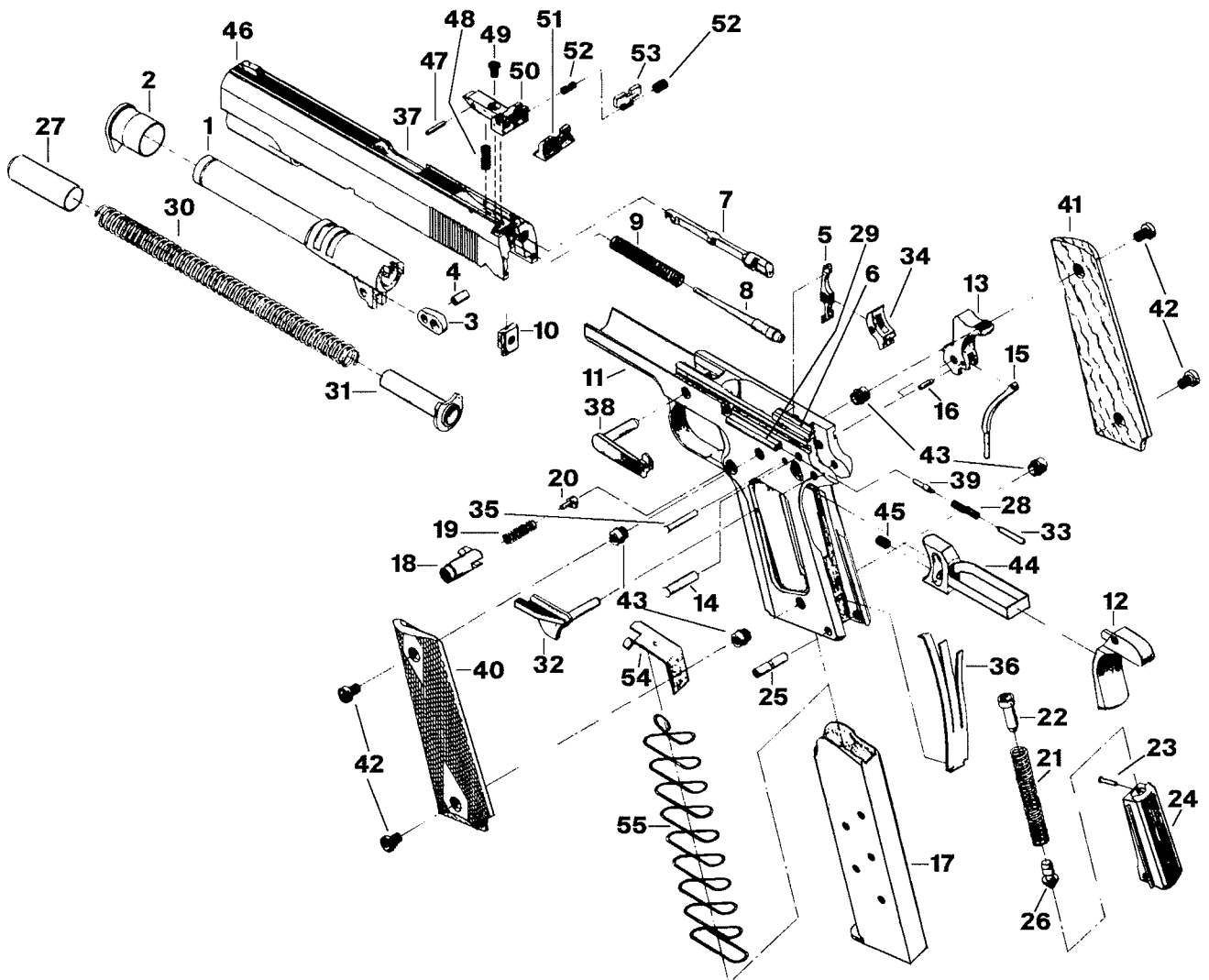
1	Barrel Plunger Cam	25	Front Sight (4 1/2" barrel)	49	Trigger
2	Barrel Lock	26	Front Sight (6 3/4" barrel)	50	Trigger Pin
3	Barrel Lock Pin	27	Rear Sight, Fixed	51	Trigger Pull Pin
4	Barrel Lock Retaining Pin	28	Rear Sight Base	52	Trigger Springs
5	Barrel	29	Rear Sight Elevation Screw	53	Trigger Stop Screw
6	Driving Spring	30	Rear Sight Leaf	54	Takedown Plunger Spring
7	Driving Spring Plug	31	Rear Sight Retaining Pin	55	Barrel Lock (Alternate Model)
8	Driving Spring Plug Pin	32	Hammer	56	Barrel Lock Spring
9	Driving Spring Plunger	33	Hammer Pin		(Alternate Model)
10	Ejector	34	Hammer Plunger	57	Rear Sight Windage Screw
11	Ejector Pin	35	Hammer Spring	58	Rear Sight Elevation Spring
12	Extractor	36	Hammer Strut	Parts Not Shown	
13	Extractor Plunger	37	Hammer Strut Pin		Magazine Button
14	Extractor Plunger Retaining Pin	38	Safety-Lever		Magazine Follower
15	Extractor Spring	39	Sear		Magazine Spring
16	Firing Pin	40	Sear Bar		Grip Screw Nut
17	Firing Pin Retaining Pin	41	Sear Bar Spring		Grip Escutcheon
18	Frame	42	Sear Pin		Front Sight Set-Screw
19	Magazine Catch	43	Sear Spring		Firing Pin Sleeve
20	Magazine Catch Pin	44	Sideplate		Wear Plug
21	Magazine Catch Spring	45	Sideplate Screw		
22	Magazine	46	Sidelock Lever		
23	Grip	47	Sidelock Spring		
24	Grip Screw	48	Slide		

Model P-37 Auto



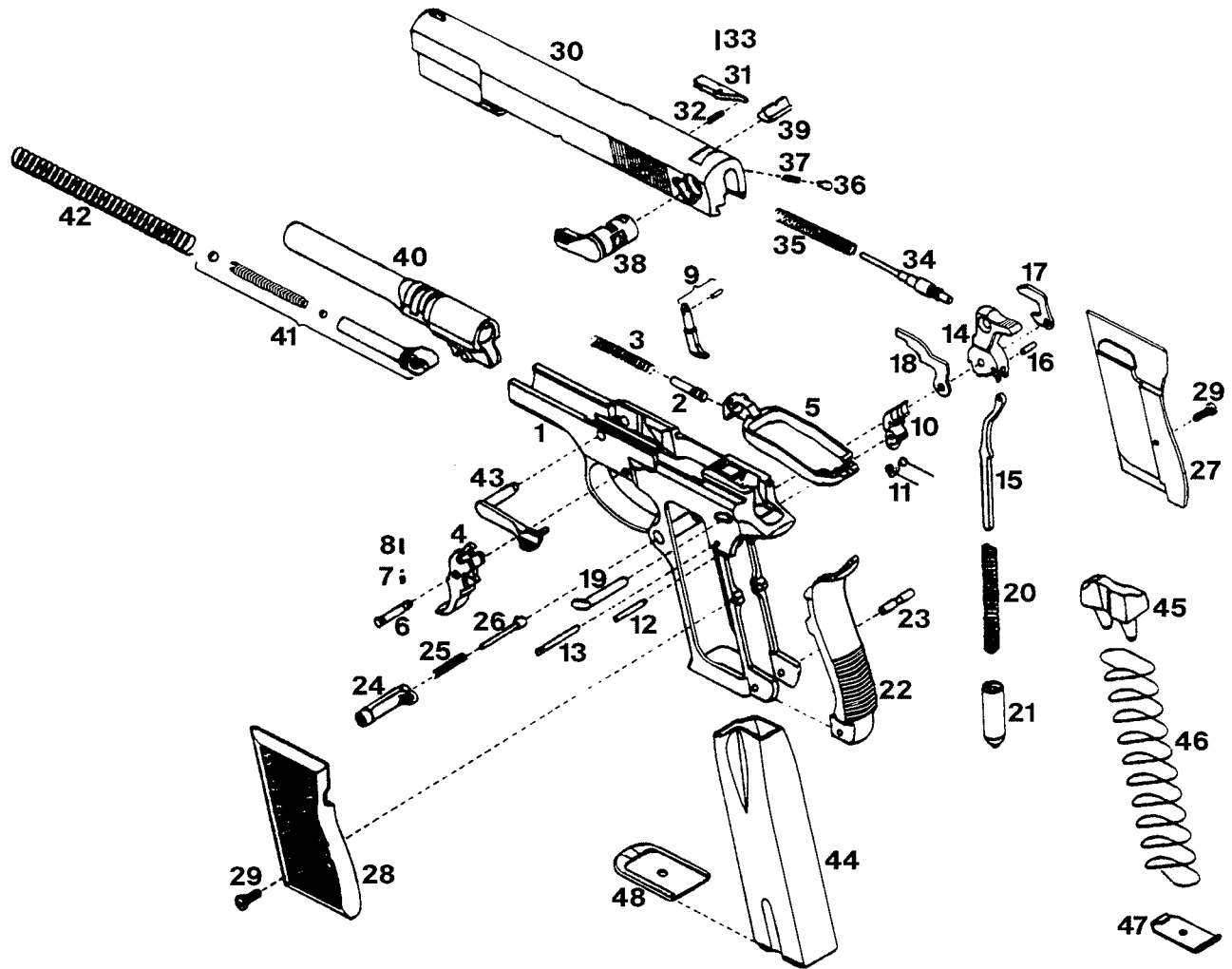
1	Barrel	14	Sear	27	Lanyard Loop Pin
2	Slide	15	Sear Spring	28	Magazine
3	Extractor Pin	16	Hammer Pin	29	Magazine Catch Pin
4	Extractor	17	Hammer Strut	30	Housing Retaining Pin
5	Extractor Spring	18	Hammer Spring	31	Thumb Safety
6	Firing Pin Spring	19	Hammer Spring Follower	32	Safety Detent
7	Firing Pin	20	Trigger Spring Follower	33	Safety Detent Spring
8	Recoil Spring	21	Trigger Spring	34	Slide Stop
9	Recoil Spring Guide	22	Hammer Spring Housing	35	Trigger Hinge Pin
10	Trigger Bar	23	Magazine Latch	36	Trigger
11	Hammer	24	Magazine Latch Spring	37	Grip Panel
12	Disconnecter	25	Grip Safety	38	Grip Screw
13	Disconnecter and Ejector Pin	26	Lanyard Loop		

Javelina Auto

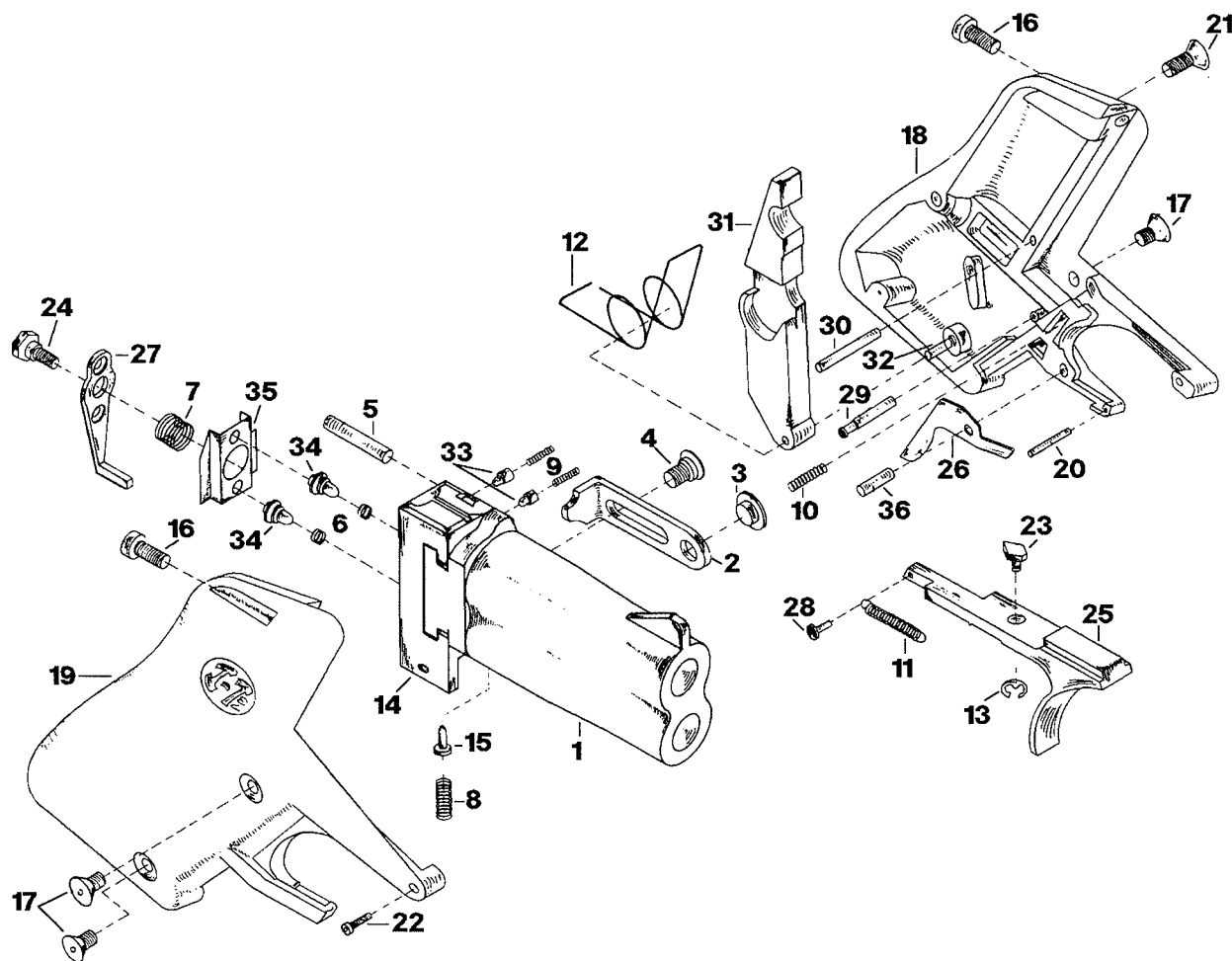
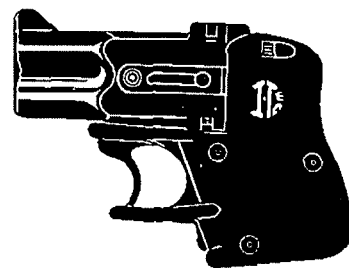


1	Barrel	20	Magazine Catch Retainer	39	Slide Stop Plunger
2	Barrel Bushing	21	Mainspring	40	Left Grip
3	Barrel Link	22	Mainspring Cap	41	Right Grip
4	Barrel Link Pin	23	Mainspring Cap Pin	42	Grip Screws
5	Disconnecter	24	Mainspring Housing	43	Grip Screw Bushings
6	Ejector	25	Mainspring Housing Pin	44	Trigger Assembly
7	Extractor	26	Mainspring Housing Pin Retainer	45	Trigger Stop Screw
8	Firing Pin	27	Recoil Spring Plug	46	Front Sight
9	Firing Pin Spring	28	Slide Stop Plunger Spring	47	Rear Sight Pivot Pin
10	Firing Pin Stop	29	Slide Stop Plunger Tube	48	Rear Sight Spring
11	Frame	30	Recoil Spring	49	Rear Sight Elevation Screw
12	Grip Safety	31	Recoil Spring Guide	50	Rear Sight Base
13	Hammer	32	Thumb Safety	51	Fixed Rear Sight
14	Hammer Pin	33	Thumb Safety Lock Plunger	52	Rear Sight Windage Screws
15	Hammer Strut	34	Sear	53	Rear Sight Blade
16	Hammer Strut Pin	35	Sear Pin	54	Magazine Follower
17	Magazine Body	36	Sear Spring	55	Magazine Spring
18	Magazine Catch	37	Slide		
19	Magazine Catch Spring	38	Slide Stop		
				Parts Not Shown	
				Ejector Pin	

Model R9 Auto

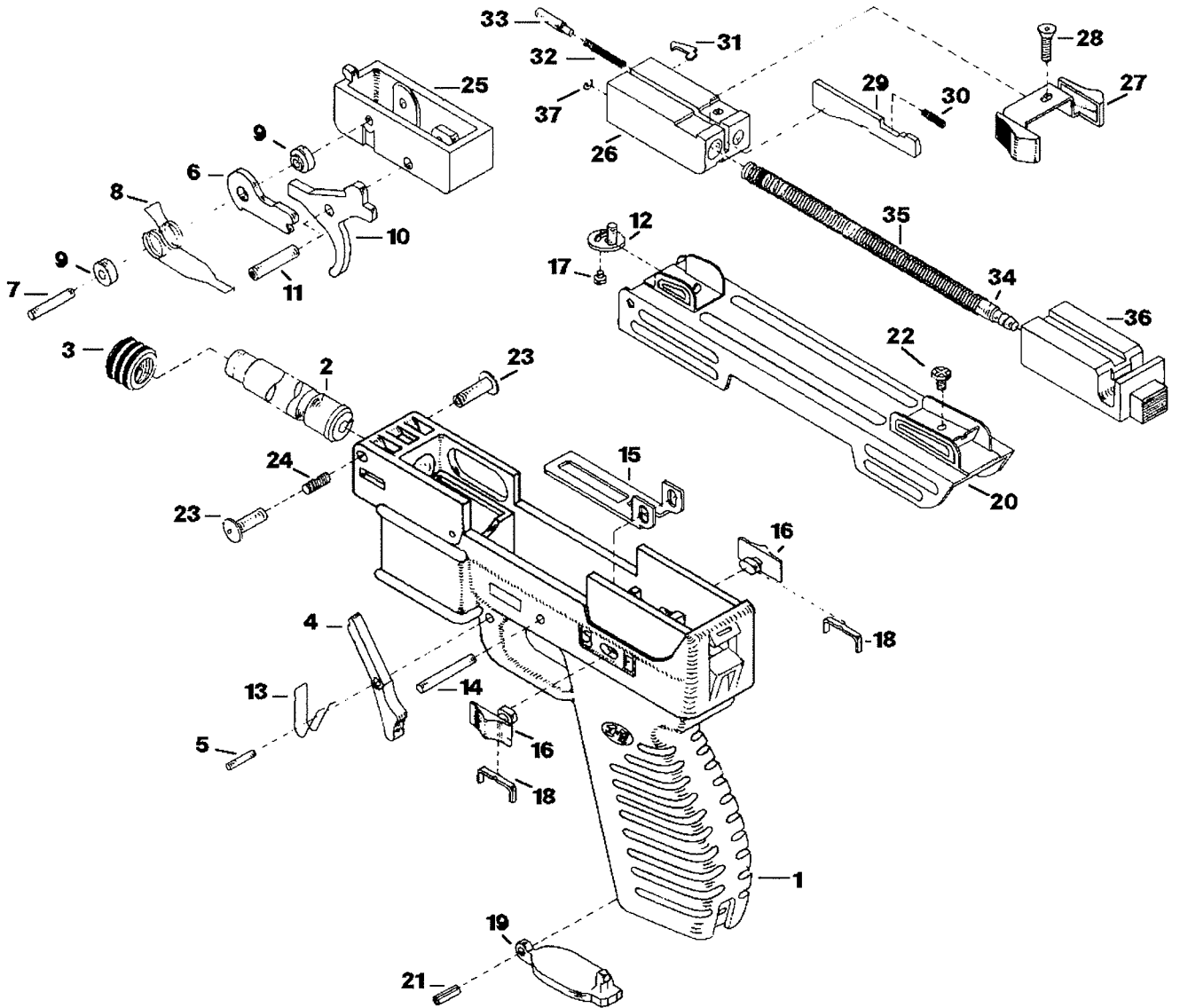


1	Frame	17	Sear Trip	33	Extractor Pin
2	Trigger Drawbar Plunger	18	Ejector	34	Firing Pin
3	Trigger Drawbar Plunger Spring	19	Hammer Axle Pin	35	Firing Pin Spring
4	Trigger	20	Hammer Spring	36	Safety Plunger
5	Trigger Drawbar	21	Hammer Spring Cap	37	Safety Plunger Spring
6	Trigger Pin	22	Rear Grip Insert	38	Safety
7	Trigger Pin Retainer	23	Rear Grip Insert Pin	39	Rear Sight
8	Trigger Pin Retainer Spring	24	Magazine Catch	40	Barrel
9	Disconnecter	25	Magazine Catch Spring	41	Recoil Spring Guide
10	Sear	26	Magazine Retainer Catch	42	Recoil Spring
11	Sear Spring	27	Right Grip	43	Slide Stop
12	Sear Spring Retainer Pin	28	Left Grip	44	Magazine Body
13	Sear Pin	29	Grip Screws	45	Magazine Follower
14	Hammer	30	Slide	46	Magazine Spring
15	Hammer Strut	31	Extractor	47	Magazine Spring Plate
16	Hammer Strut Pin	32	Extractor Spring	48	Magazine Floorplate

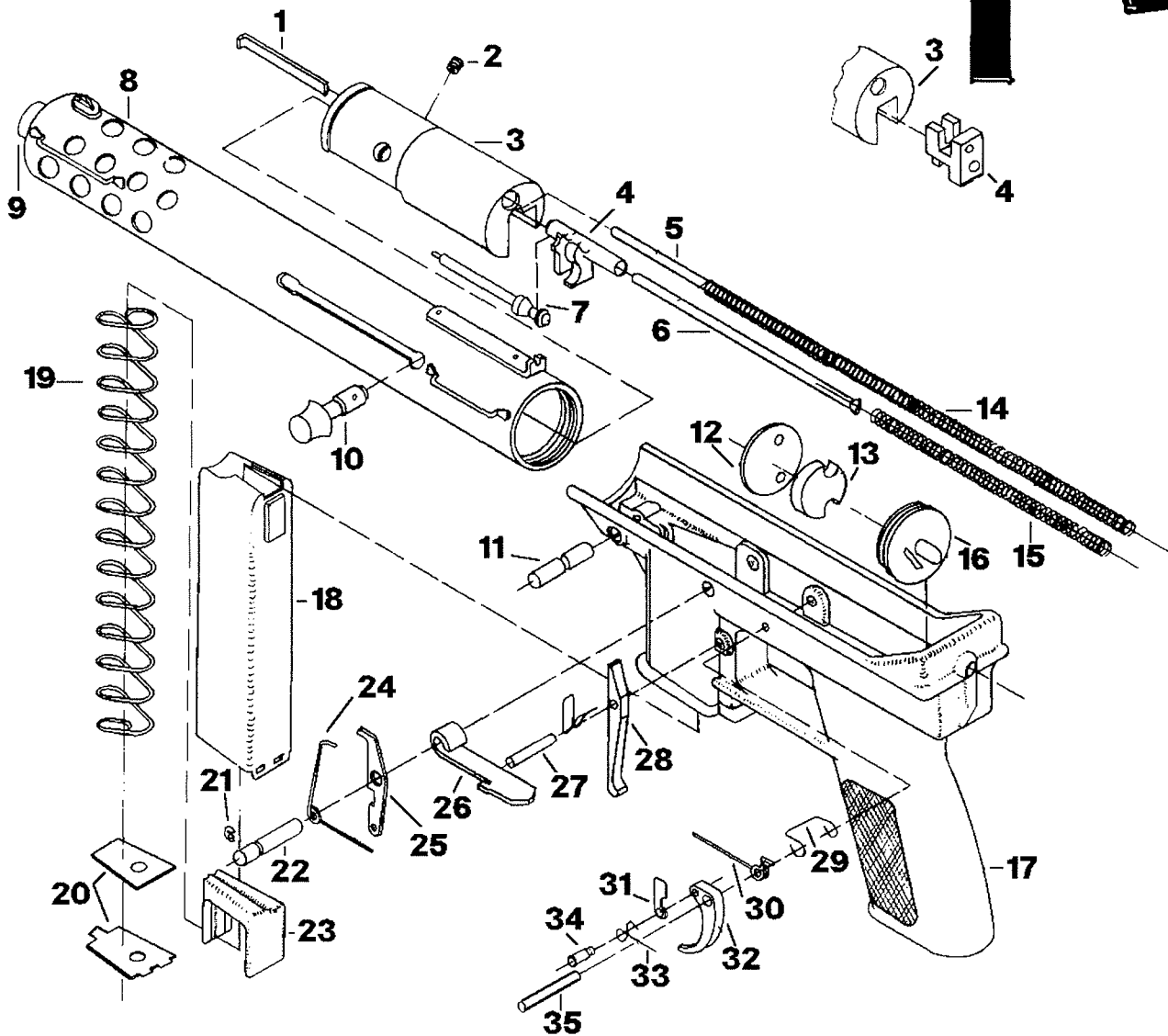
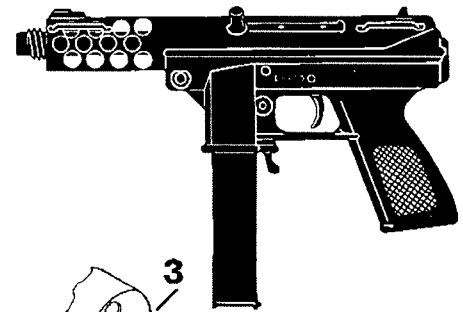


1	Barrel	13	Trigger Cam Spring	25	Trigger
2	Ejector	14	Frame	26	Safety
3	Ejector Knob	15	Barrel Lock	27	Selector
4	Ejector Screw	16	Upper Frame Screw	28	Upper Trigger Spring Pin
5	Barrel Axis	17	Frame and Hammer Axis Screws	29	Lower Trigger Spring Pin
6	Firing Pin Springs	18	Left Grip	30	Selector Pin
7	Selector Spring	19	Right Grip	31	Hammer
8	Barrel Lock Spring	20	Grip Pin	32	Hammer Axis
9	Poppett Springs	21	Large Grip Screw	33	Centering Poppetts
10	Safety Spring	22	Small Grip Screw	34	Firing Pins
11	Trigger Return Spring	23	Trigger Cam	35	Firing Pin Retainer
12	Hammer Spring	24	Selector Screw	36	Safety Axis

TEC-22 Auto

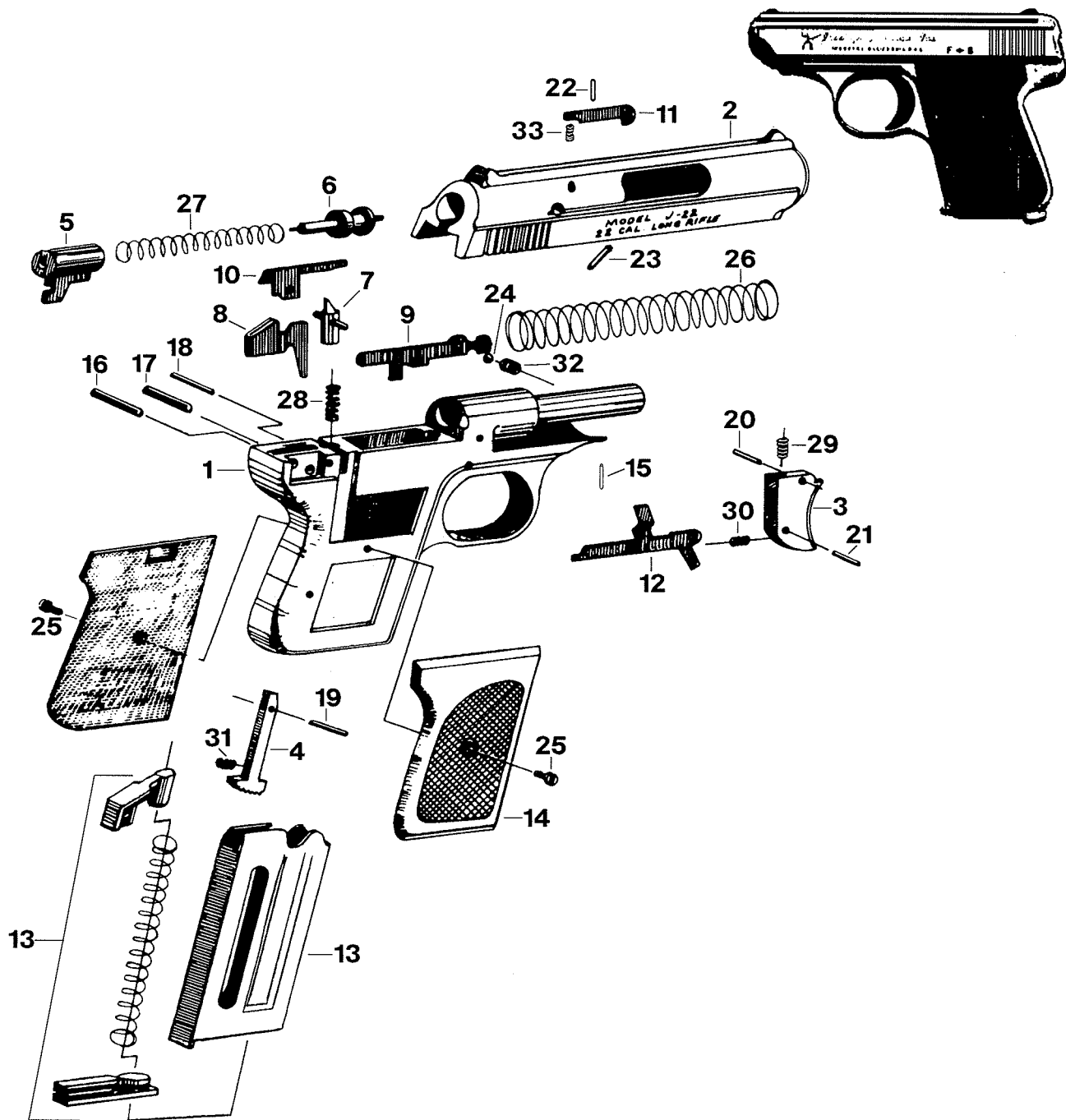


1	Frame	14	Insert Pin	27	Operating Handle
2	Barrel	15	Safety	28	Operating Handle Screw
3	Threaded Cover	16	Safety Buttons	29	Firing Pin
4	Magazine Catch Lever	17	Front Sight Screw	30	Firing Pin Spring
5	Magazine Catch Axis	18	Safety Springs	31	Extractor
6	Hammer	19	Butt	32	Extractor Spring
7	Hammer Axis	20	Cover	33	Extractor Pin
8	Mainspring	21	Butt Pin	34	Recoil Spring Guide
9	Hammer Bushing	22	Rear Sight Elevation Screw	35	Recoil Spring
10	Trigger	23	Cover Axes	36	Latch Button
11	Trigger Bushing	24	Cover Axis Screw	37	E-Ring
12	Front Sight	25	Insert		
13	Magazine Catch Spring	26	Bolt		



1	Extractor	13	Buffer	25	Ejector
2	Extractor Screw	14	Recoil Spring	26	Sear
3	Bolt	15	Striker Spring	27	Magazine Catch Axis
4	Striker	16	Rear Stabilizing Disk Cap	28	Magazine Catch
5	Recoil Spring Guide	17	Frame	29	Sear Retainer
6	Striker Guide	18	Magazine	30	Trigger Spring
7	Firing Pin	19	Magazine Spring	31	Disconnecter
8	Upper Receiver	20	Magazine Bottom Plates	32	Trigger
9	Barrel	21	Large E-Ring	33	Disconnecter Spring
10	Operating Handle	22	Sear Axis	34	Disconnecter Axis
11	Assembly Pin	23	Follower	35	Trigger Axis
12	Buffer Plate	24	Sear Spring		

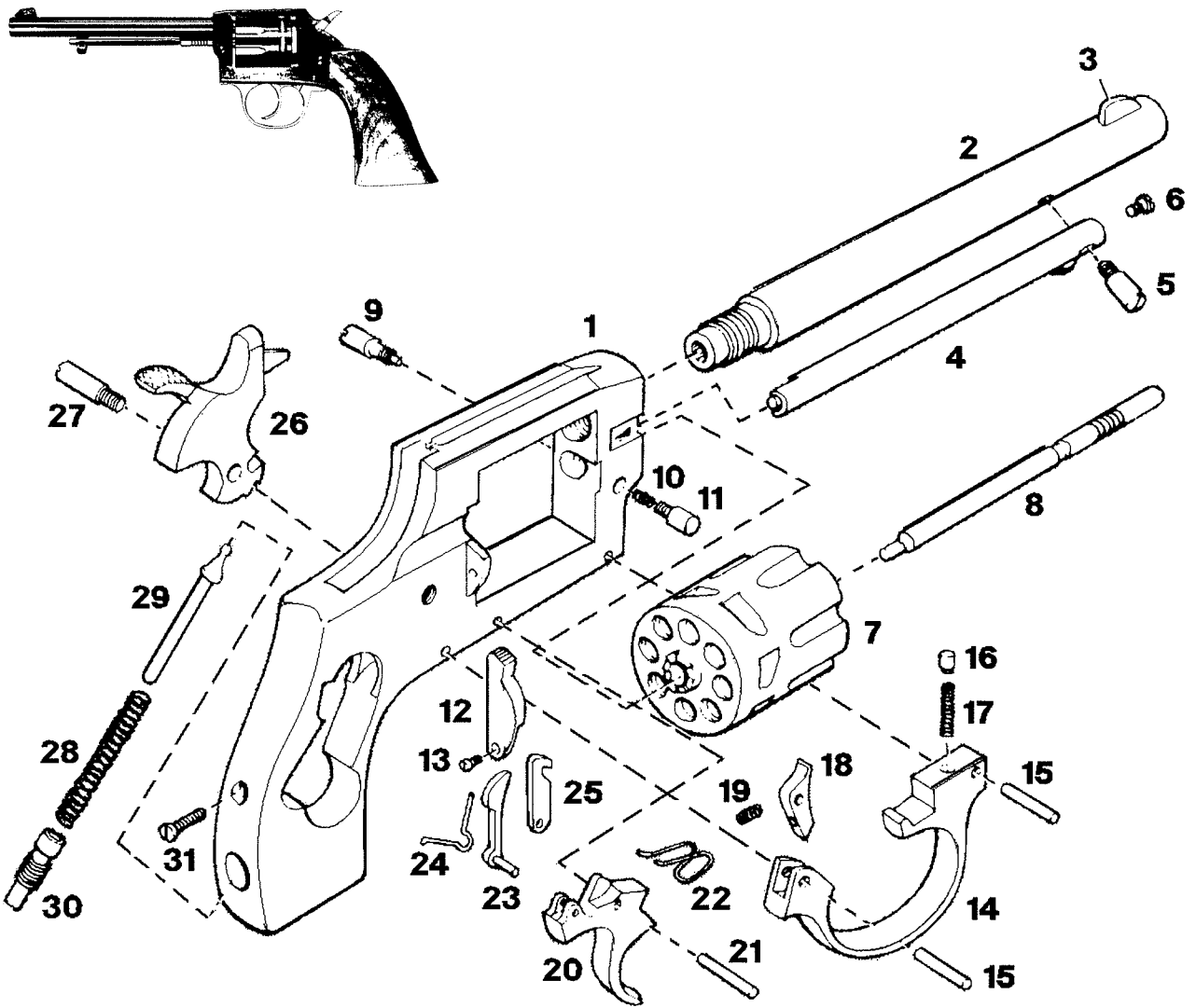
J-22 Auto



1	Frame	12	Trigger Bar Assembly	23	Wear Pin
2	Slide	13	Magazine Assembly	24	Safety Ball
3	Trigger	14	Grips	25	Grip Screws
4	Catch	15	Barrel Cross Pin	26	Recoil Spring
5	Takedown Button	16	Takedown Cross Pin	27	Firing Pin Spring
6	Firing Pin	17	Cam Pivot Pin	28	Sear Spring
7	Sear Assembly	18	Ejector Cross Pin	29	Trigger Retaining Spring
8	Cam	19	Catch Cross Pin	30	Trigger Bar Spring
9	Safety	20	Trigger Cross Pin	31	Catch Spring
10	Ejector	21	Trigger Bar Cross Pin	32	Safety Ball Spring
11	Extractor	22	Extractor Pin	33	Extractor Spring

Model 50 Revolver

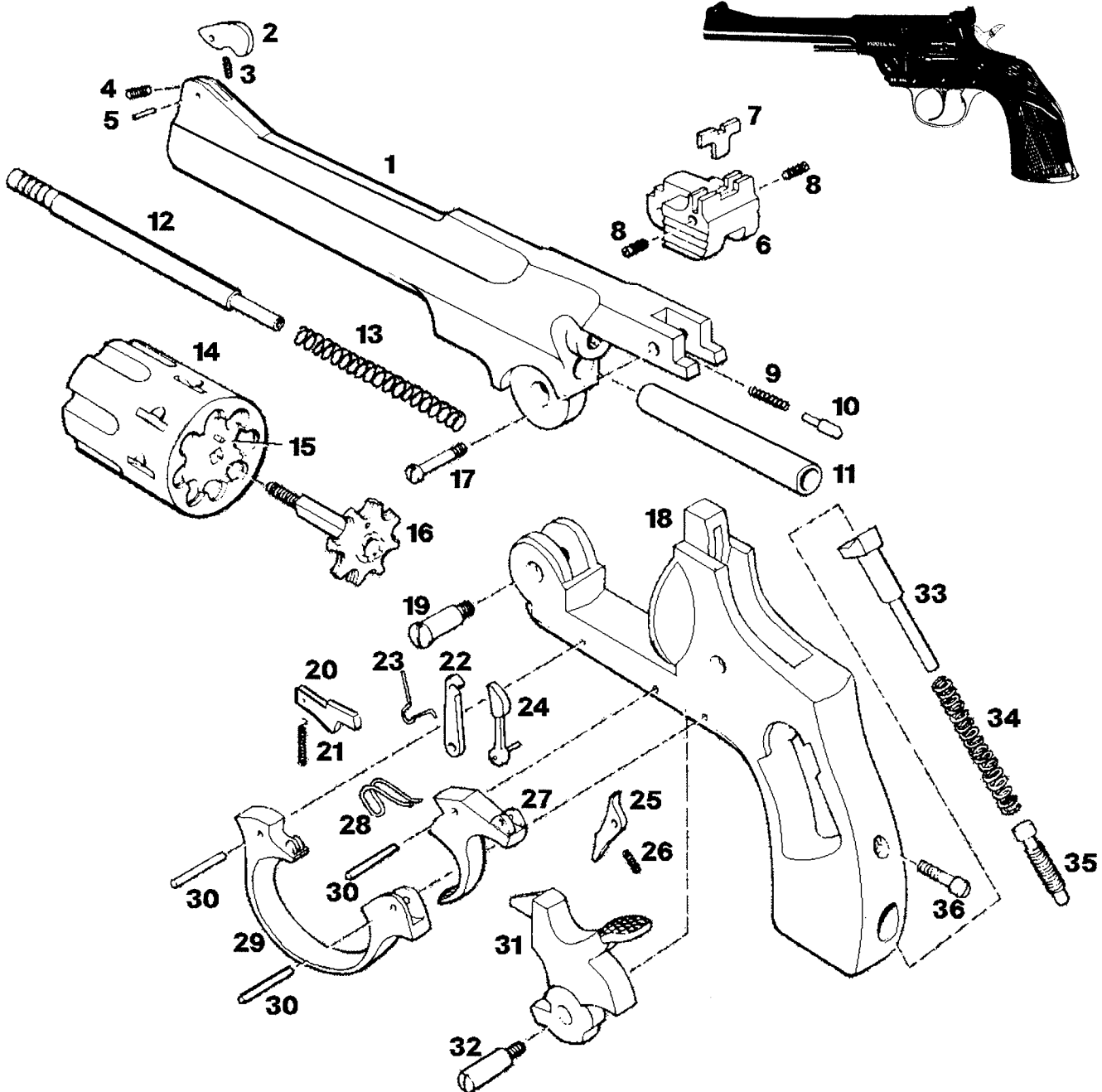
Courtesy of James M. Triggs/NRA



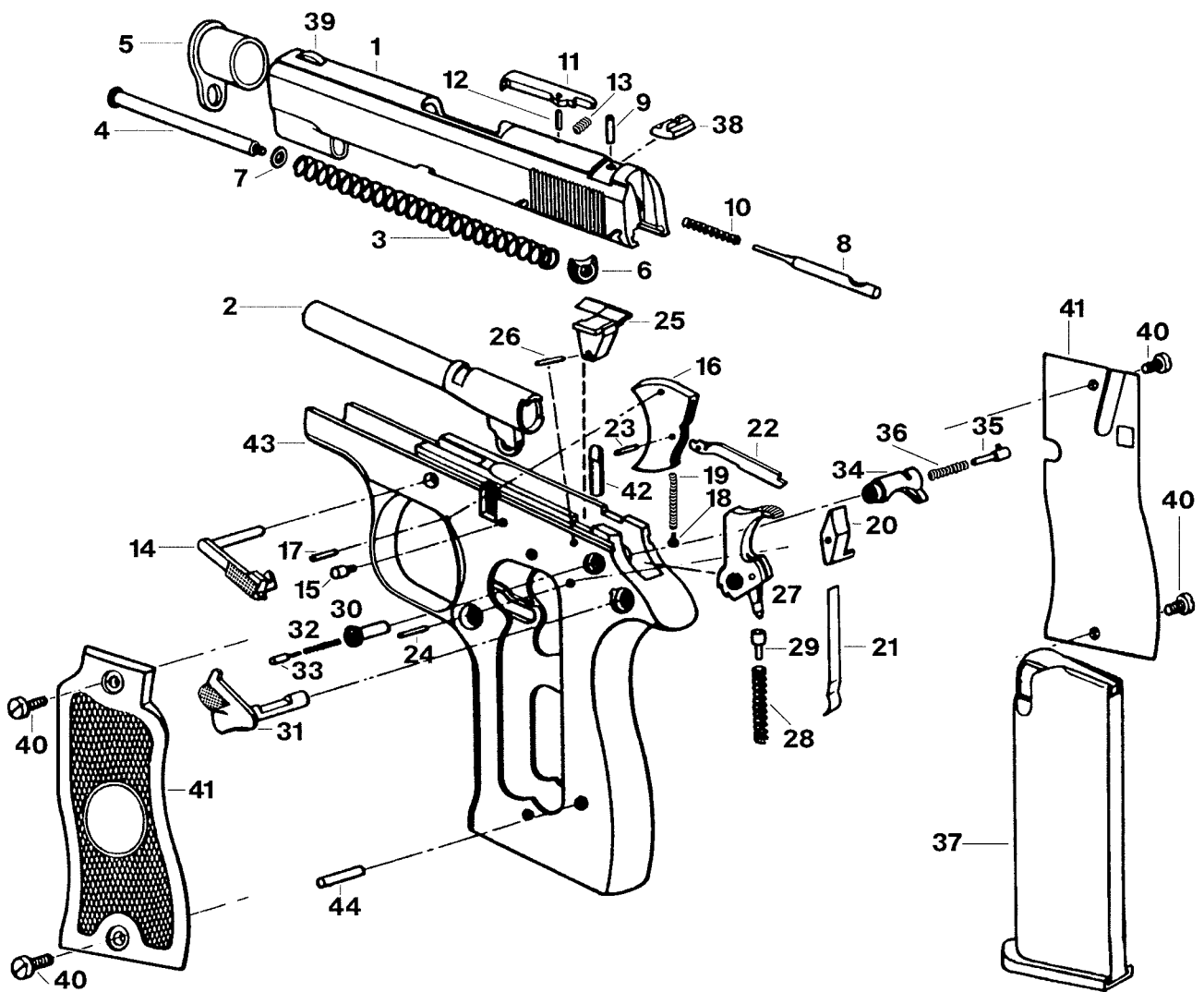
1	Frame	12	Loading Gate	23	Lever
2	Barrel	13	Loading Gate Screw	24	Lever Spring
3	Front Sight Blade	14	Trigger Guard	25	Lifter
4	Ejector Assembly	15	Trigger Guard Pins	26	Hammer
5	Ejector Tube Screw	16	Cylinder Friction Stud	27	Hammer Screw
6	Ejector Lock Screw	17	Cylinder Friction Stud Spring	28	Mainspring
7	Cylinder	18	Sear	29	Mainspring Plunger
8	Center Pin	19	Sear Spring	30	Mainspring Adjusting Screw
9	Center Pin Catch Nut	20	Trigger	31	Grip Screw
10	Center Pin Catch Spring	21	Trigger Pin		
11	Center Pin Catch Screw	22	Trigger Spring		
				Parts Not Shown	
					One-Piece Grip

Model 66 Revolver

Courtesy of James M. Triggs/NRA



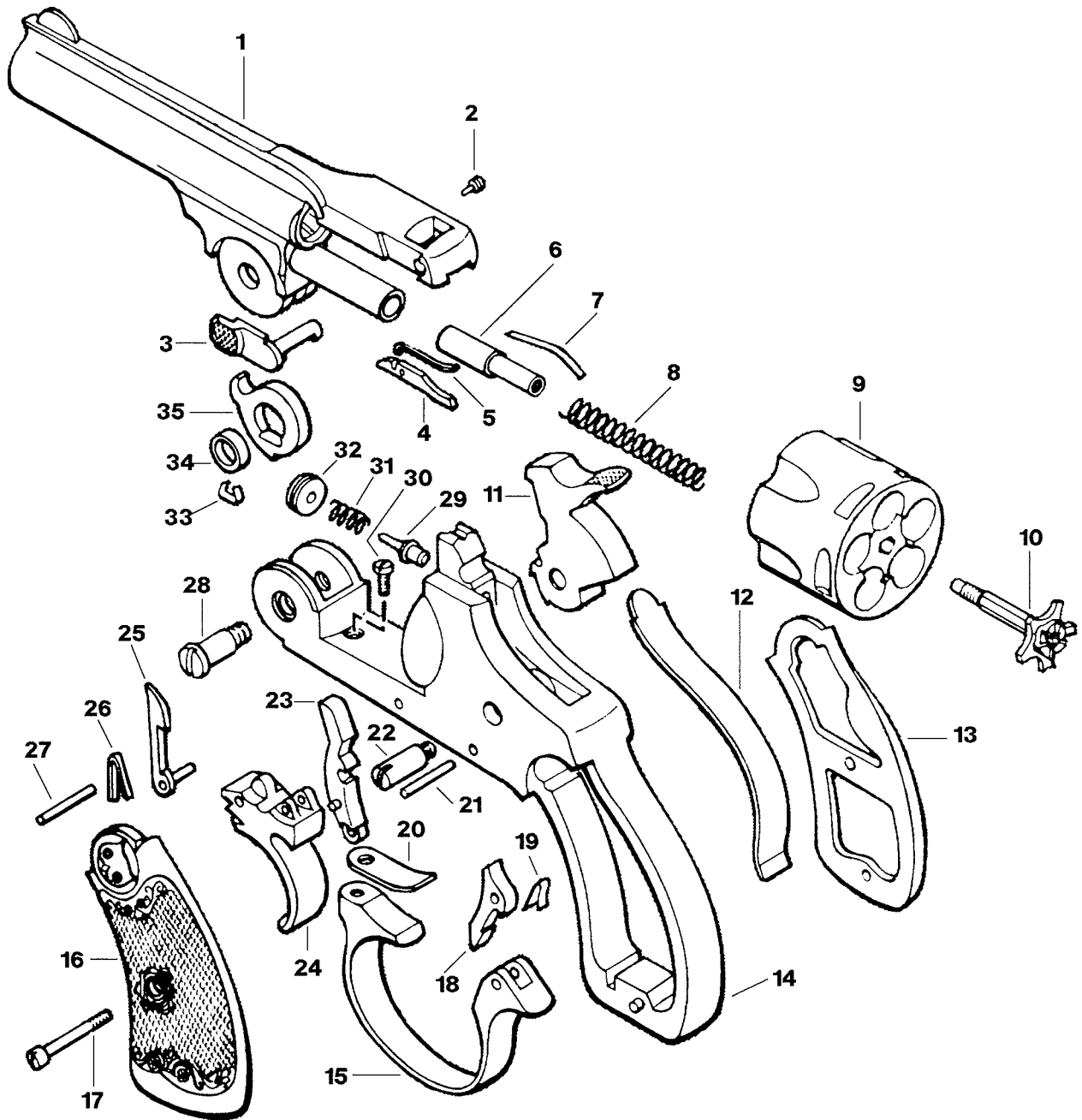
1	Barrel	15	Extractor Pin	29	Trigger Guard
2	Front Sight Blade	16	Extractor	30	Trigger and Guard Pins
3	Front Sight Spring	17	Barrel Catch Screw	31	Hammer
4	Front Sight Adjusting Screw	18	Frame	32	Hammer Screw
5	Front Sight Pin	19	Joint Screw	33	Mainspring Plunger
6	Barrel Catch	20	Cylinder Stop	34	Mainspring
7	Rear Sight Blade	21	Cylinder Stop Spring	35	Mainspring Adjusting Screw
8	Rear Sight Adjusting Screws	22	Lifter	36	Grip Screw
9	Barrel Catch Spring	23	Lever Spring	Parts Not Shown	
10	Barrel Catch Plunger	24	Lever and Pin	Grip (Large, One-Piece)	
11	Quill	25	Sear	Grip (Small, Two-Piece)	
12	Ejector Rod	26	Sear Spring	Tang Plug Screw	
13	Extractor Spring	27	Trigger		
14	Cylinder	28	Trigger Spring		



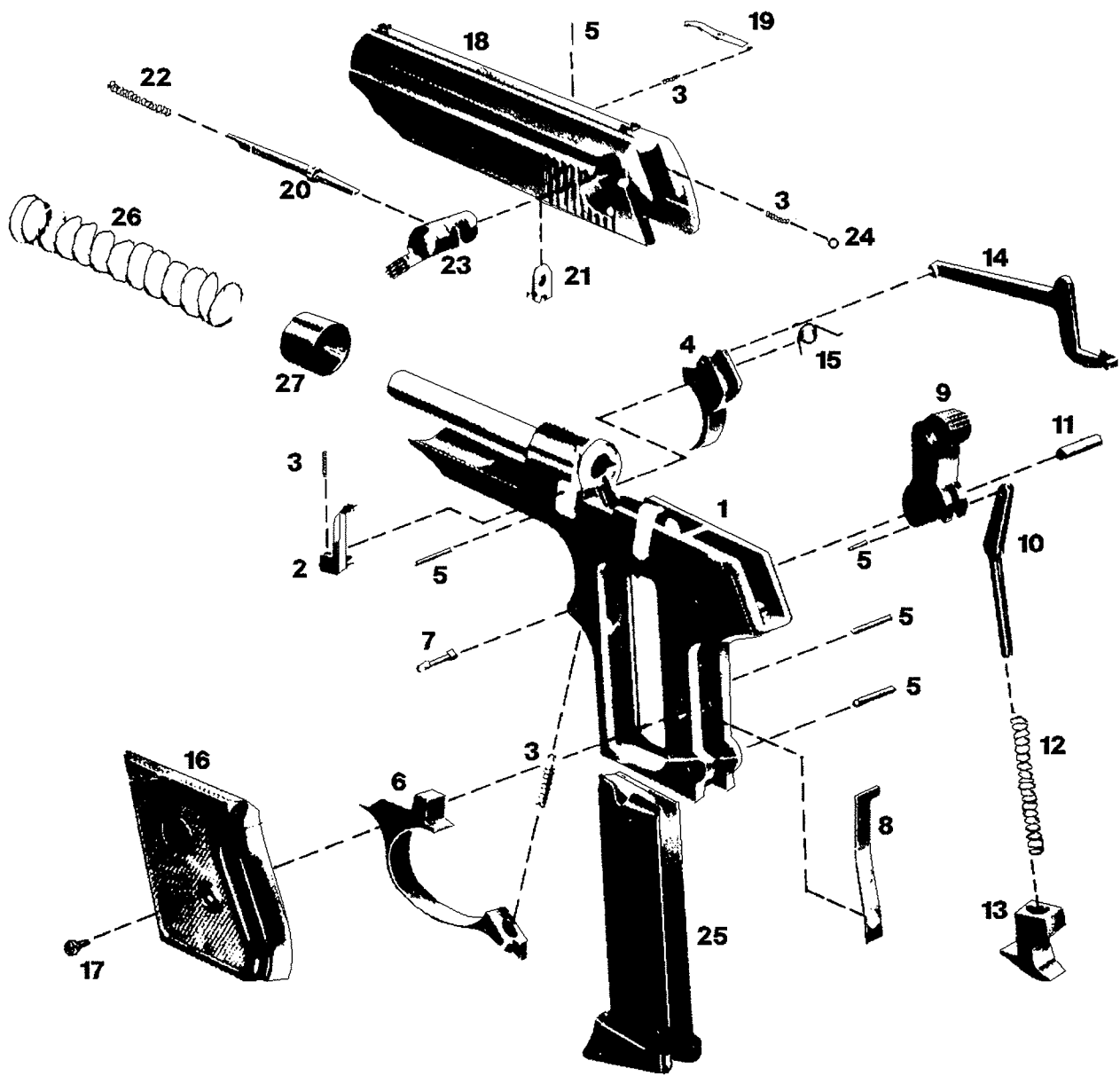
1	Slide	18	Trigger Plunger	35	Magazine Catch Lock
2	Barrel with Link and Pin	19	Trigger Plunger Spring	36	Magazine Catch Lock Spring
3	Recoil Spring	20	Sear	37	Magazine
4	Recoil Spring Guide	21	Sear Spring	38	Rear Sight
5	Barrel Bushing	22	Sear Bar	39	Front Sight
6	Recoil Spring Guide Head	23	Sear Bar Pin	40	Grip Screws
7	Recoil Spring Guide Washer	24	Sear Pin	41	Grips
8	Firing Pin	25	Ejector	42	Disconnecter
9	Firing Pin Retaining Pin	26	Ejector Pin	43	Frame
10	Firing Pin Spring	27	Hammer with Strut and Pin	44	Grip Locator Pin
11	Extractor	28	Hammer Spring		
12	Extractor Pin	29	Hammer Spring Plunger	Parts Not Shown	
13	Extractor Spring	30	Hammer Pin		Link
14	Slide Stop	31	Thumb Safety		Link Pin
15	Slide Stop Plunger Screw	32	Safety Spring		Hammer Strut
16	Trigger	33	Safety Plunger		Hammer Strut Pin
17	Trigger Pin	34	Magazine Catch		Recoil Spring Assembly

Top-Break Revolver

Courtesy of Blacksmith Corporation

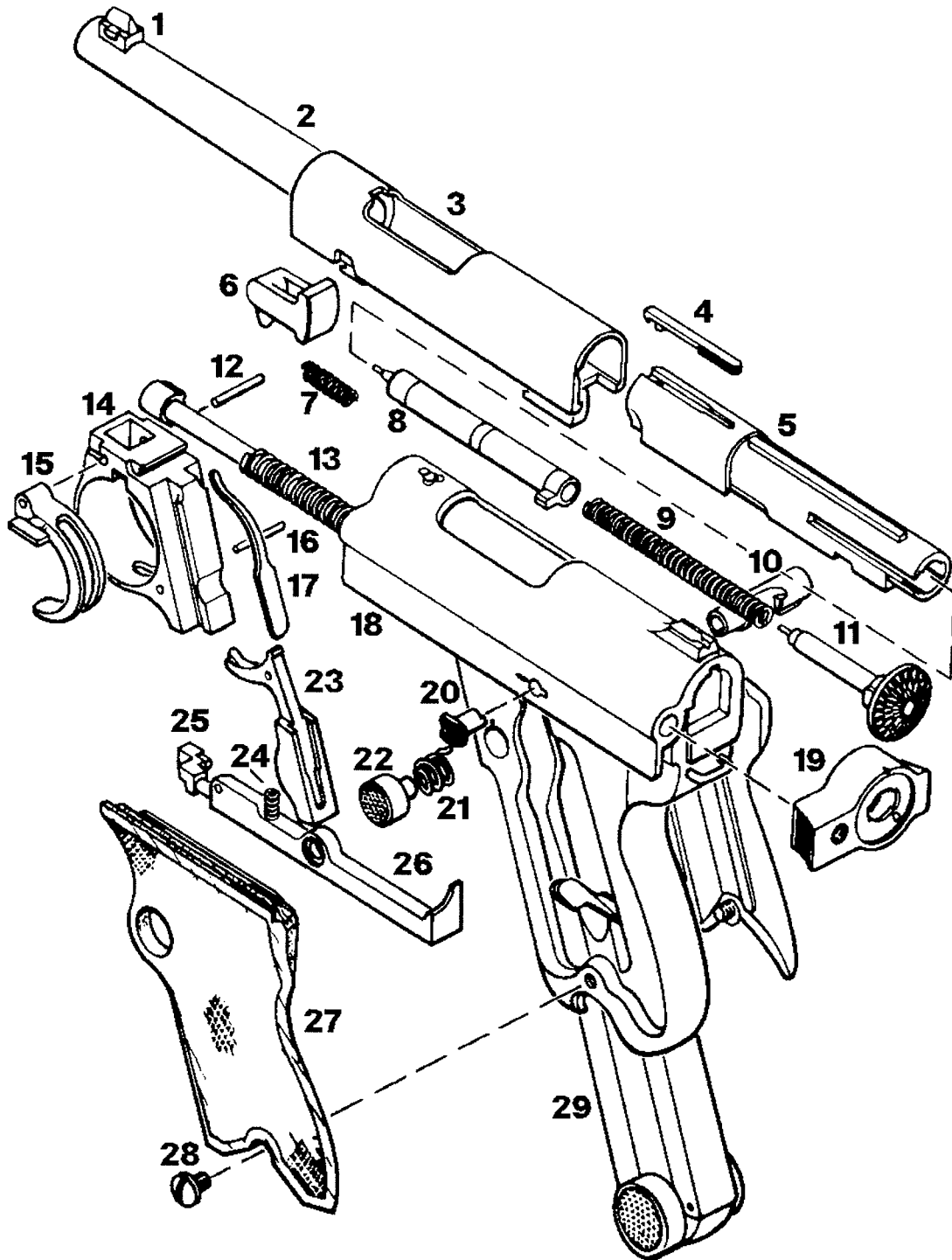


1	Barrel Assembly	13	Right Grip	25	Hand
2	Barrel Catch Screw	14	Frame	26	Hand Spring
3	Barrel Catch	15	Trigger Guard	27	Trigger Pin
4	Barrel Catch Spring Cover	16	Left Grip	28	Hinge Screw
5	Barrel Catch Spring	17	Grip Screw	29	Firing Pin
6	Extractor Stem	18	Sear	30	Trigger Guard Screw
7	Cylinder Friction Spring	19	Sear Spring	31	Firing Pin Spring
8	Extractor Spring	20	Trigger Spring	32	Firing Pin Bushing
9	Cylinder	21	Trigger Guard Pin	33	Extractor Spring
10	Extractor	22	Hammer Screw	34	Extractor Bushing
11	Hammer	23	Lifter	35	Extractor Cam
12	Hammer Spring	24	Trigger		



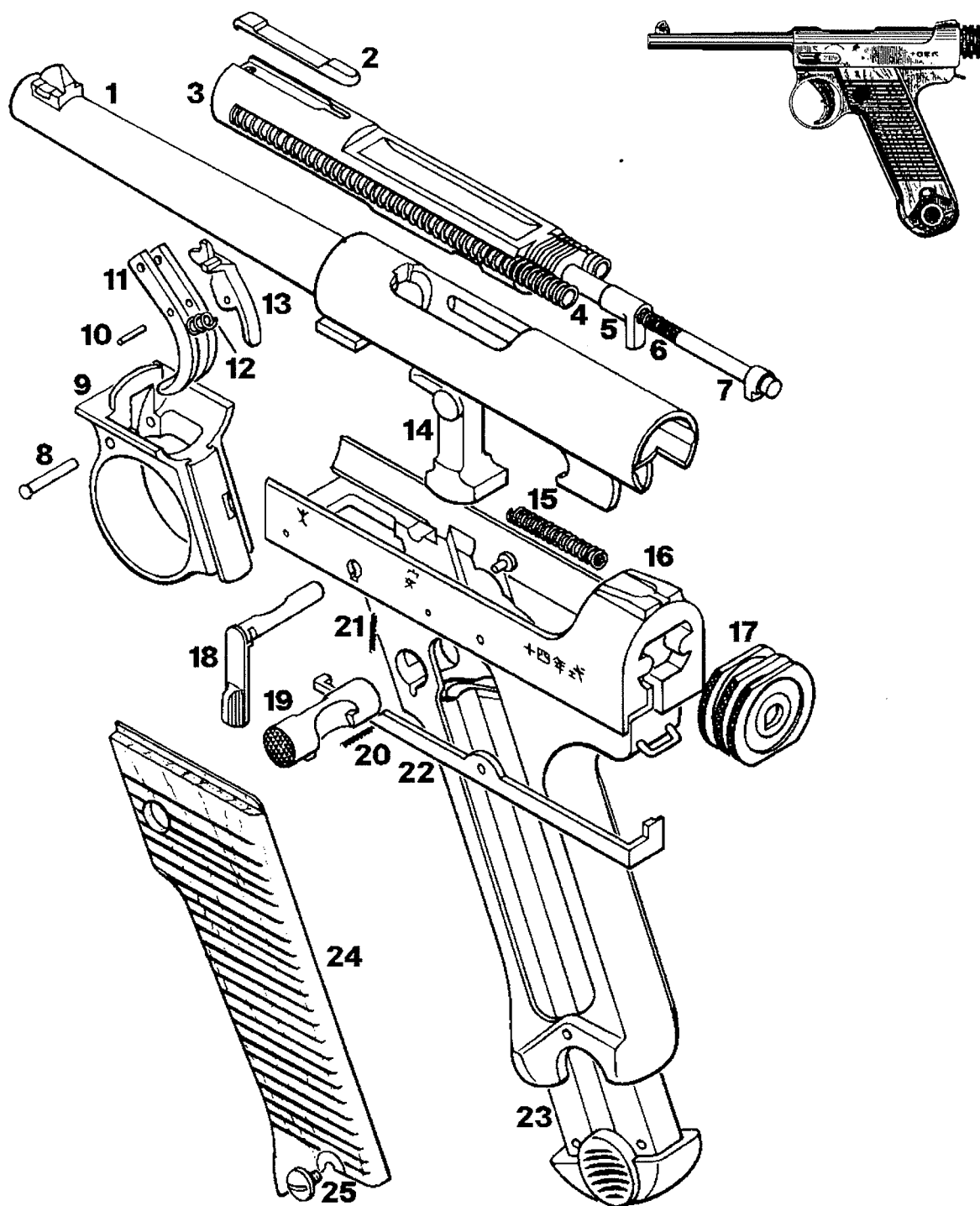
1	Frame	10	Mainspring Guide Rod	19	Extractor
2	Firing Pin Stop	11	Hammer Pin	20	Firing Pin
3	Springs	12	Mainspring	21	Firing Pin Plug
4	Trigger	13	Magazine Catch	22	Firing Pin Spring
5	Cylindrical Pins	14	Trigger Bar	23	Safety-Lever
6	Trigger Guard	15	Trigger Bar Spring	24	Steel Ball
7	Trigger Guard Pin	16	Grip Plates	25	Magazine Assembly
8	Sear	17	Grip Plate Screw	26	Recoil Spring
9	Hammer	18	Slide	27	Sear Spring Plunger

Baby Nambu Auto



1	Front Sight	11	Firing Pin Retainer	21	Magazine Catch Spring
2	Barrel	12	Trigger Pin	22	Magazine Catch Button
3	Barrel Extension	13	Recoil Spring and Guide	23	Grip Safety
4	Extractor	14	Trigger Guard	24	Sear Spring
5	Bolt	15	Trigger	25	Disconnecter
6	Locking Block	16	Grip Safety Pin	26	Sear
7	Locking Block Spring	17	Grip Safety Spring	27	Grip Panel
8	Firing Pin	18	Frame	28	Grip Screw
9	Firing Pin Spring	19	Cocking Knob	29	Magazine Assembly
10	Magazine Catch	20	Bolt Latch		

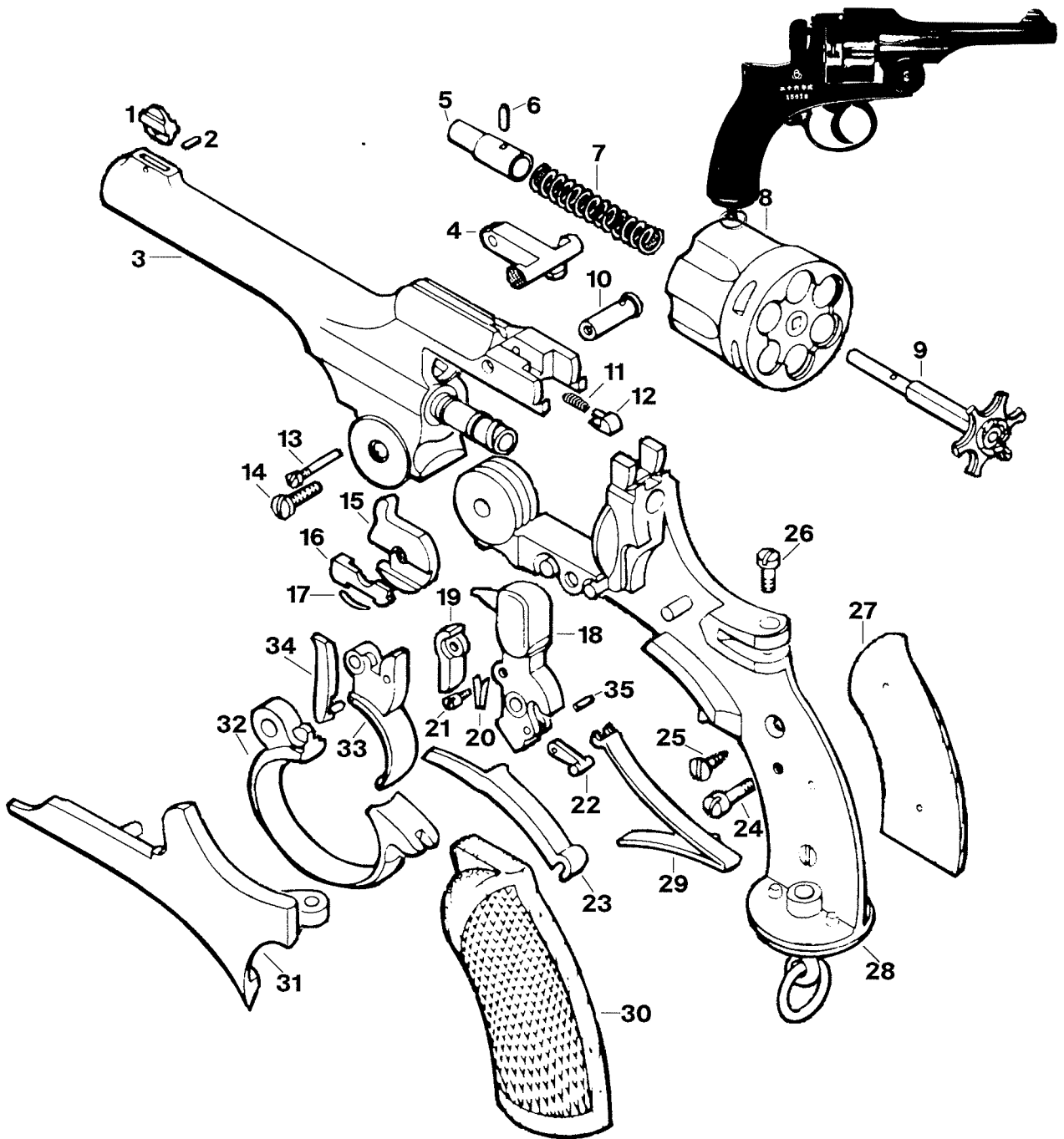
Nambu Type 14 Auto



1	Barrel and Barrel Extension	10	Trigger Sear Pin	19	Magazine Catch
2	Extractor	11	Trigger	20	Magazine Catch Spring
3	Bolt	12	Sear Spring	21	Magazine Safety Spring with Plunger
4	Recoil Spring	13	Trigger Sear	22	Trigger Bar
5	Firing Pin	14	Locking Block	23	Magazine Assembly
6	Firing Pin Spring	15	Locking Block Spring	24	Grip Panel
7	Firing Pin Extension	16	Frame	25	Grip Screw
8	Trigger Hinge Pin	17	Cocking Piece		
9	Trigger Guard	18	Safety		

Type 26 Revolver

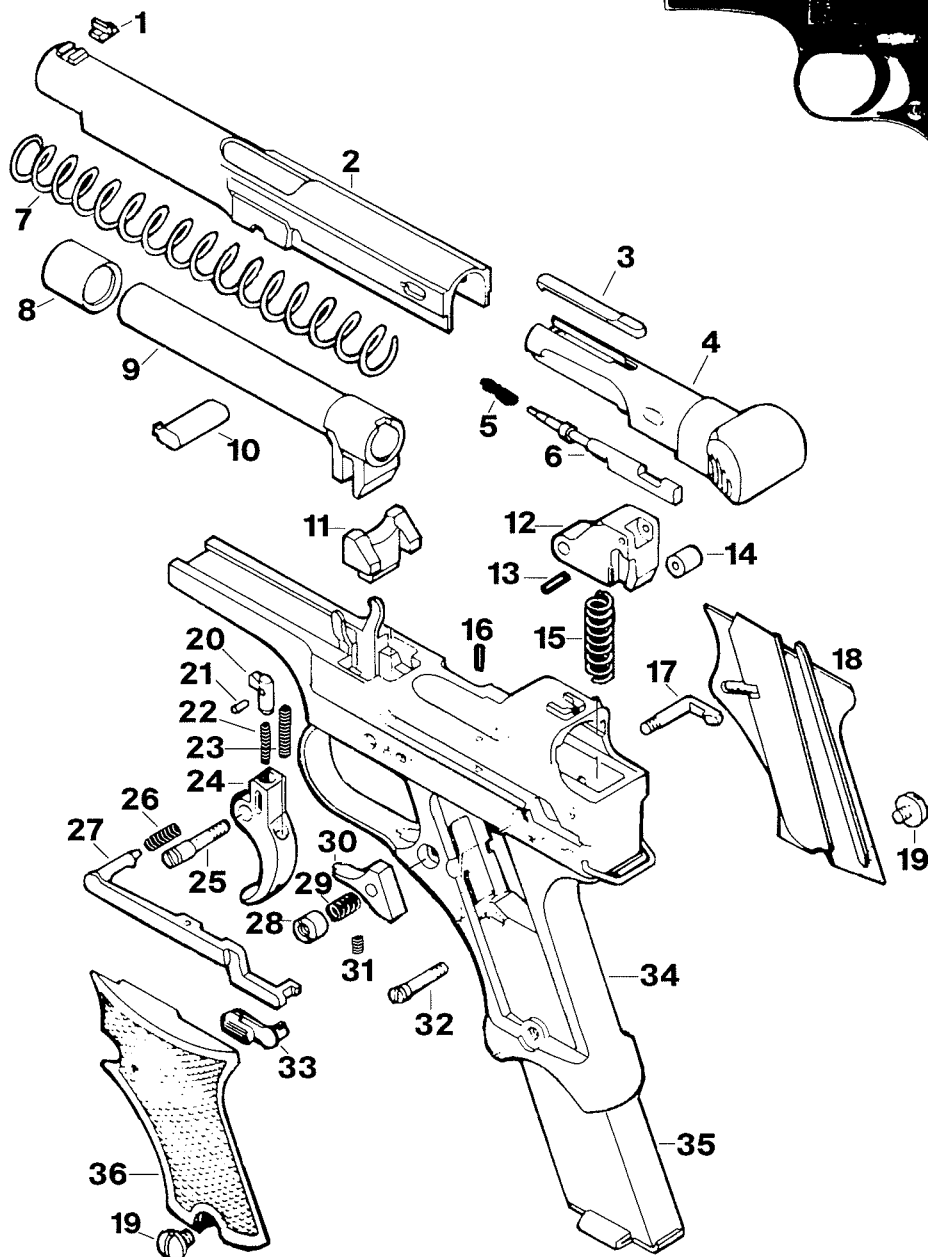
Courtesy of Blacksmith Corporation



1	Front Sight	13	Latch Screw	25	Right Grip Screw
2	Front Sight Pin	14	Hinge Pin Screw	26	Sideplate Hinge Screw
3	Barrel	15	Extractor Cam	27	Right Grip
4	Latch	16	Extractor Release	28	Frame
5	Extractor Bearing	17	Release Tension Spring	29	Mainspring
6	Extractor Bearing Pin	18	Hammer	30	Left Grip
7	Extractor Spring	19	Strut	31	Sideplate
8	Cylinder	20	Strut Spring	32	Trigger Guard
9	Extractor	21	Strut Screw	33	Trigger
10	Barrel Hinge Pin	22	Hammer Stirrup	34	Hand
11	Latch Spring	23	Rebound Lever	35	Hammer Stirrup Pin
12	Latch Spring Plunger	24	Rebound Lever Screw		

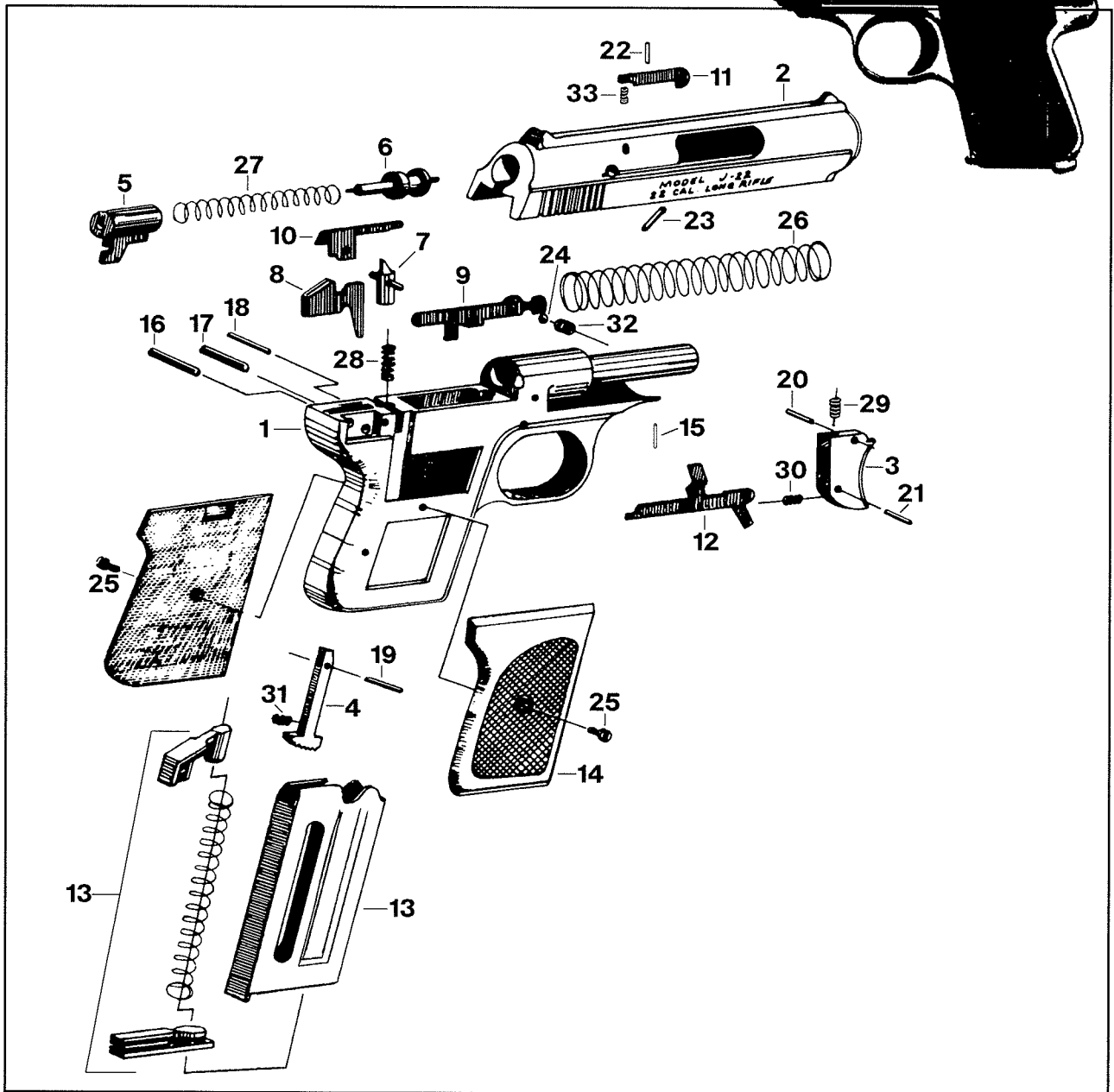
Type 94 Auto

Courtesy of Blacksmith Corporation



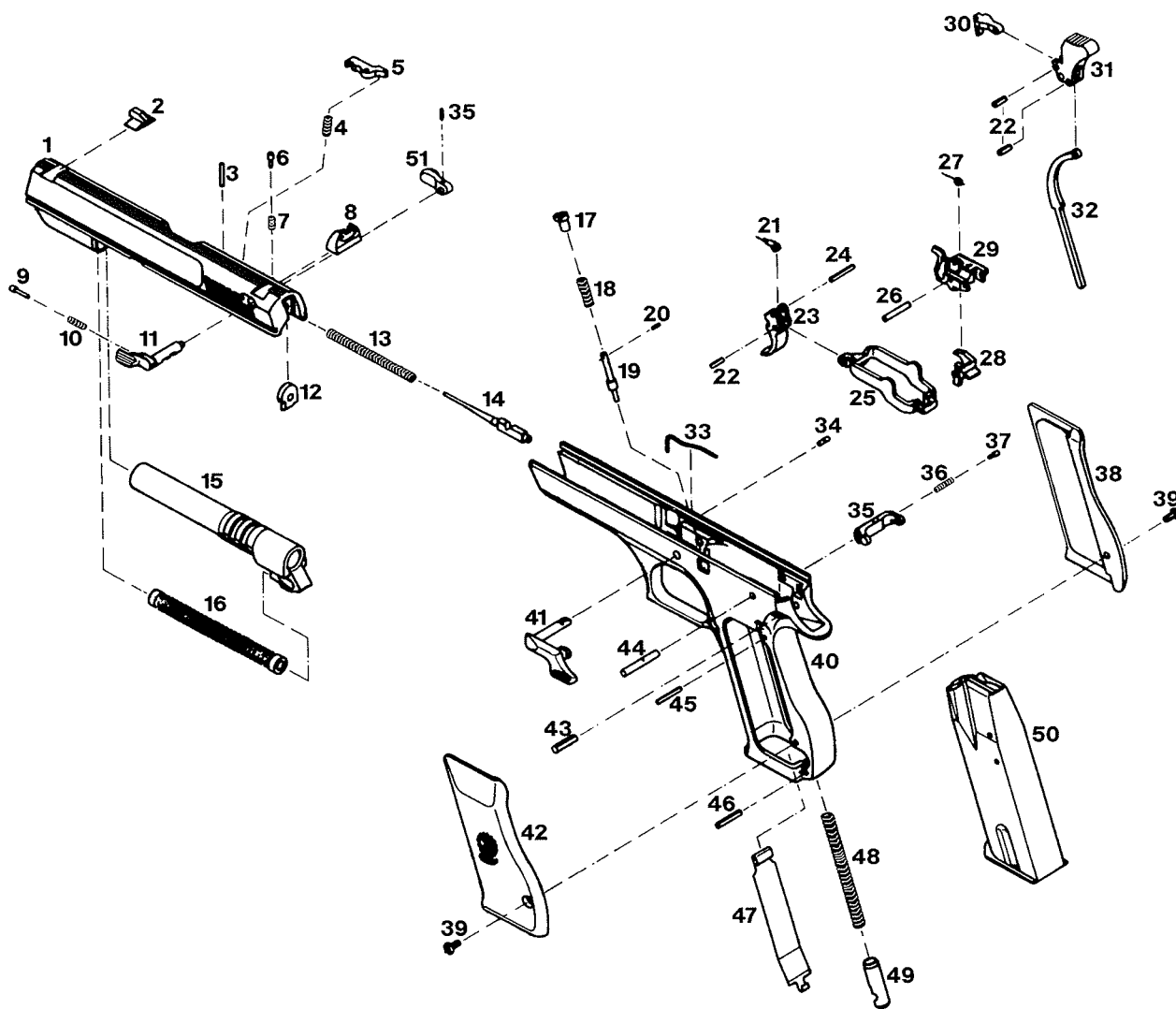
- | | | | | | |
|----|----------------------|----|---------------------|----|--------------------------|
| 1 | Front Sight | 13 | Hammer Roller Pin | 25 | Trigger Screw |
| 2 | Slide | 14 | Hammer Roller | 26 | Sear Spring |
| 3 | Extractor | 15 | Hammer Spring | 27 | Sear and Trigger Bar |
| 4 | Breechbolt | 16 | Sear Hinge Pin | 28 | Magazine Catch Nut |
| 5 | Firing Pin Spring | 17 | Magazine Catch | 29 | Magazine Catch Spring |
| 6 | Firing Pin | 18 | Right Grip | 30 | Magazine-Operated Safety |
| 7 | Recoil Spring | 19 | Grip Screw | 31 | Magazine Safety Spring |
| 8 | Recoil Spring Collar | 20 | Disconnecter | 32 | Hammer Screw |
| 9 | Barrel | 21 | Disconnecter Pin | 33 | Safety Catch |
| 10 | Cross Bolt | 22 | Disconnecter Spring | 34 | Frame |
| 11 | Locking Block | 23 | Trigger Spring | 35 | Magazine Assembly |
| 12 | Hammer | 24 | Trigger | 36 | Left Grip |

J-22 Auto



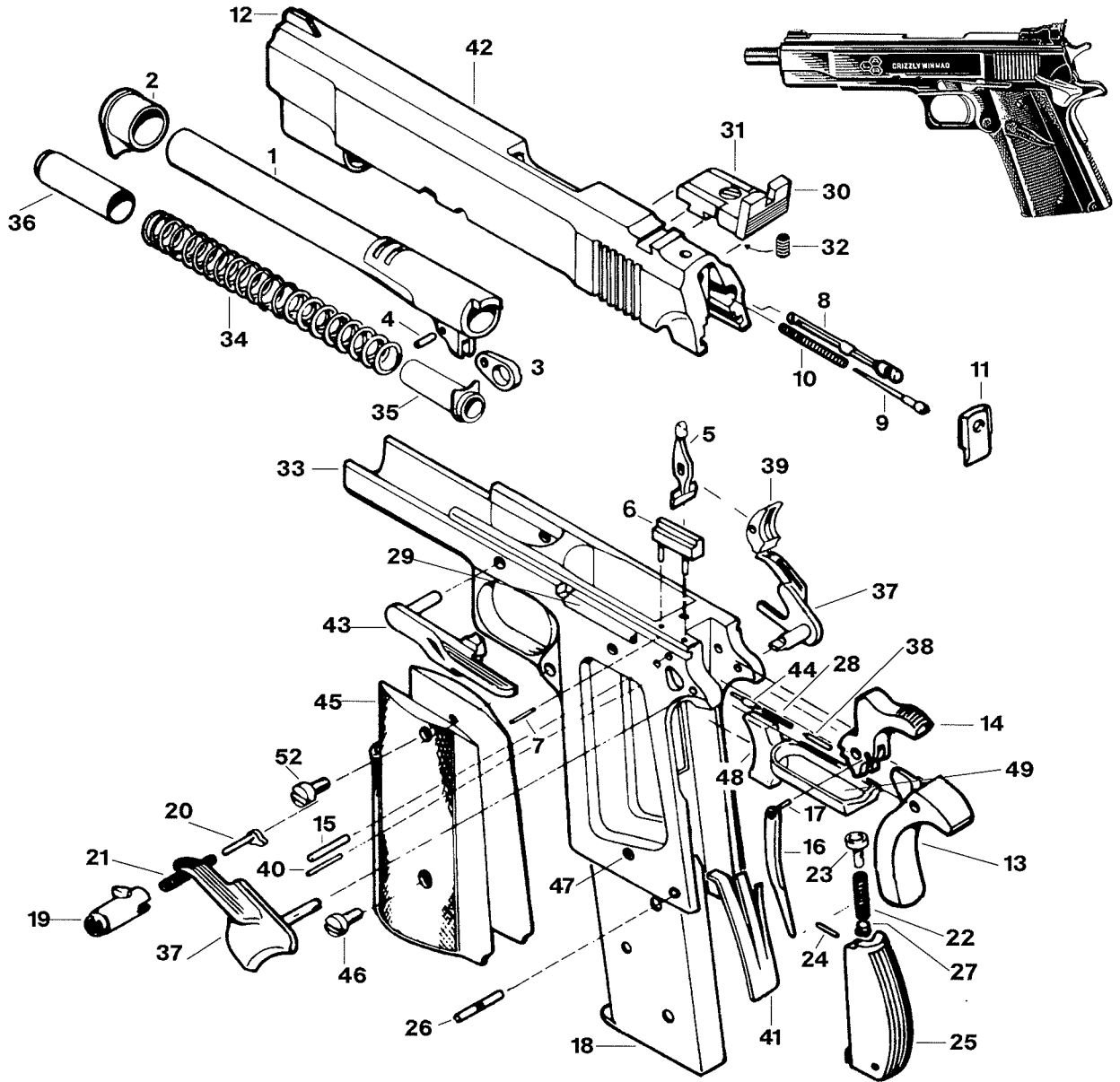
1	Frame	12	Trigger Bar Assembly	23	Wear Pin
2	Slide	13	Magazine Assembly	24	Safety Ball
3	Trigger	14	Grips	25	Grip Screws
4	Catch	15	Barrel Cross Pin	26	Recoil Spring
5	Takedown Button	16	Takedown Cross Pin	27	Firing Pin Spring
6	Firing Pin	17	Cam Pivot Pin	28	Sear Spring
7	Sear Assembly	18	Ejector Cross Pin	29	Trigger Retaining Spring
8	Cam	19	Catch Cross Pin	30	Trigger Bar Spring
9	Safety	20	Trigger Cross Pin	31	Catch Spring
10	Ejector	21	Trigger Bar Cross Pin	32	Safety Ball Spring
11	Extractor	22	Extractor Pin	33	Extractor Spring

941 Auto/IMI Baby Eagle



1	Slide	18	Plunger Spring	35	Magazine Catch
2	Front Sight	19	Plunger Pin	36	Magazine Catch Spring
3	Extractor Pin	20	Safety Pin	37	Magazine Catch Plunger
4	Extractor Spring	21	Trigger Spring	38	Right Grip
5	Extractor	22	Pins	39	Grip Screws
6	Firing Pin Safety	23	Trigger	40	Frame
7	Firing Pin Safety Spring	24	Trigger Pin	41	Slide Catch
8	Rear Sight	25	Trigger Bar	42	Left Grip
9	Safety Plunger	26	Sear Pin	43	Hammer Pin
10	Safety Spring	27	Sear Spring	44	Sear Housing Pin
11	Safety	28	Sear	45	Magazine Plate Pin
12	Firing Pin Plate	29	Sear Housing	46	Hammer Spring Cup Pin
13	Firing Pin Spring	30	Interruptor	47	Magazine Plate
14	Firing Pin	31	Hammer	48	Hammer Spring
15	Barrel	32	Hammer Rod	49	Hammer Spring Cup
16	Recoil Springs Assembly	33	Slide Catch Spring	50	Magazine Assembly
17	Trigger Plunger	34	Slide Catch Spring Pin		

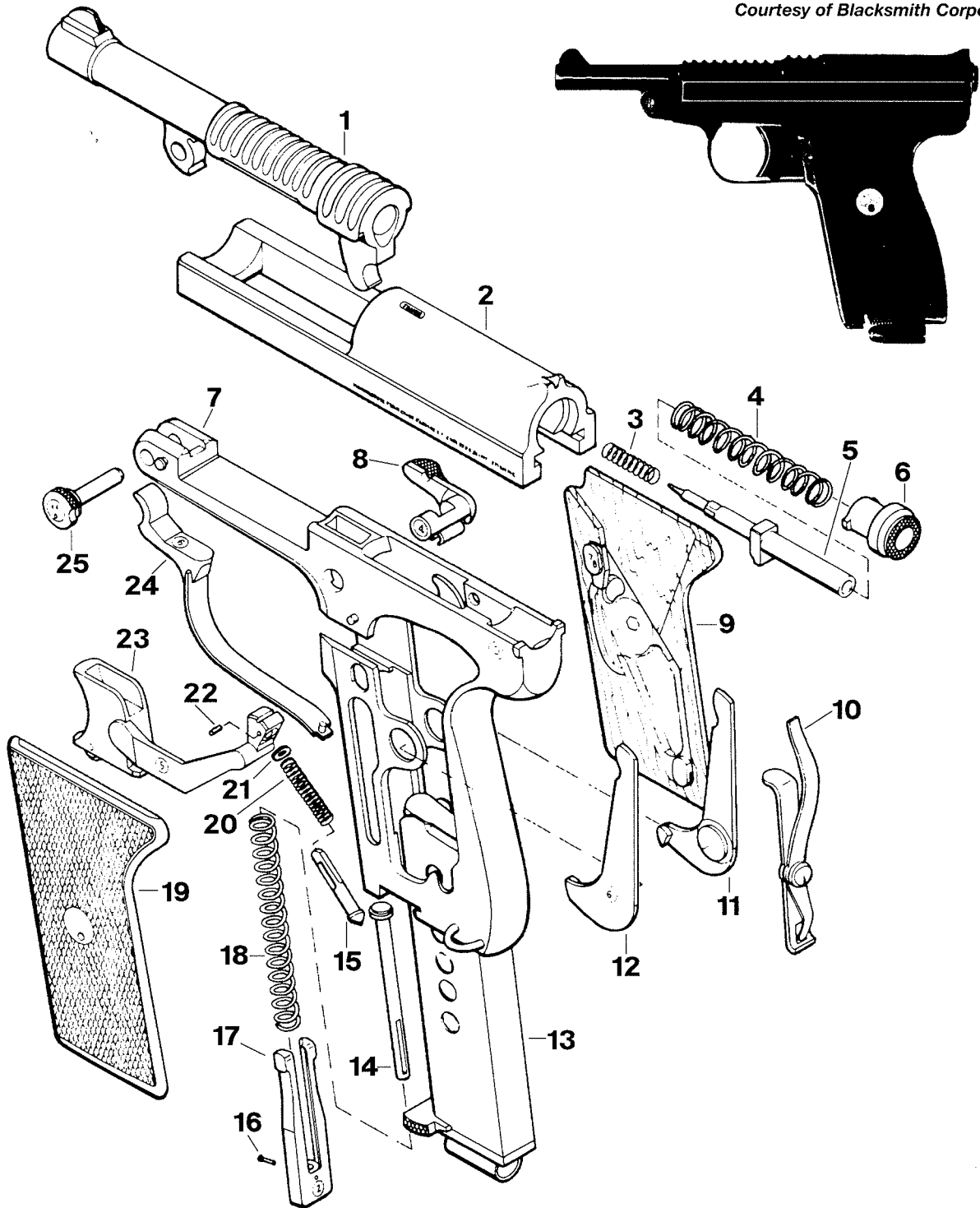
Grizzly Win. Mag. Mark II Auto



1	Barrel	19	Magazine Catch	36	Recoil Spring Plug
2	Barrel Bushing	20	Magazine Catch Lock	37	Safety Lock
3	Barrel Link	21	Magazine Catch Spring	38	Safety Lock Plunger
4	Barrel Link Pin	22	Mainspring	39	Sear
5	Disconnecter	23	Mainspring Cap	40	Sear Pin
6	Ejector	24	Mainspring Cap Pin	41	Sear Spring
7	Ejector Pin	25	Mainspring Housing	42	Slide
8	Extractor	26	Mainspring Housing Pin	43	Slide Stop
9	Firing Pin	27	Mainspring Housing Pin	44	Slide Stop Plunger
10	Firing Pin Spring		Retainer	45	Stock Assembly
11	Firing Pin Stop	28	Plunger Spring	46	Stock Screws
12	Front Sight	29	Plunger Tube	47	Stock Screw Bushings
13	Grip Safety	30	Rear Sight	48	Trigger Assembly
14	Hammer	31	Rear Sight Adjustment Screw	49	Trigger Bar
15	Hammer Pin	32	Rear Sight Spring		
16	Hammer Strut	33	Receiver	Parts Not Shown	
17	Hammer Strut Pin	34	Recoil Spring		Magazine Follower
18	Magazine Assembly	35	Recoil Spring Guide		Magazine Spring

9mm Browning Auto

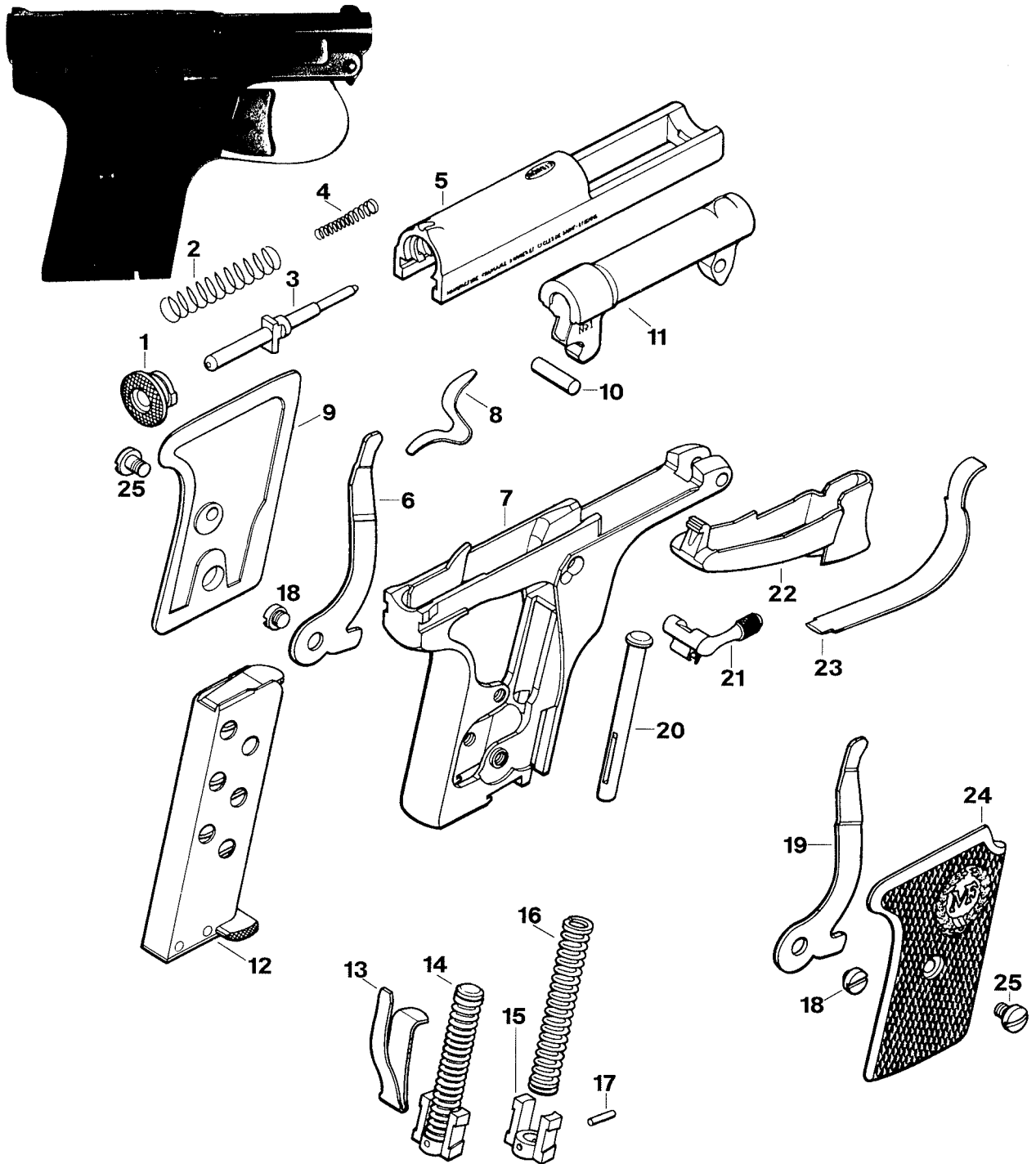
Courtesy of Blacksmith Corporation



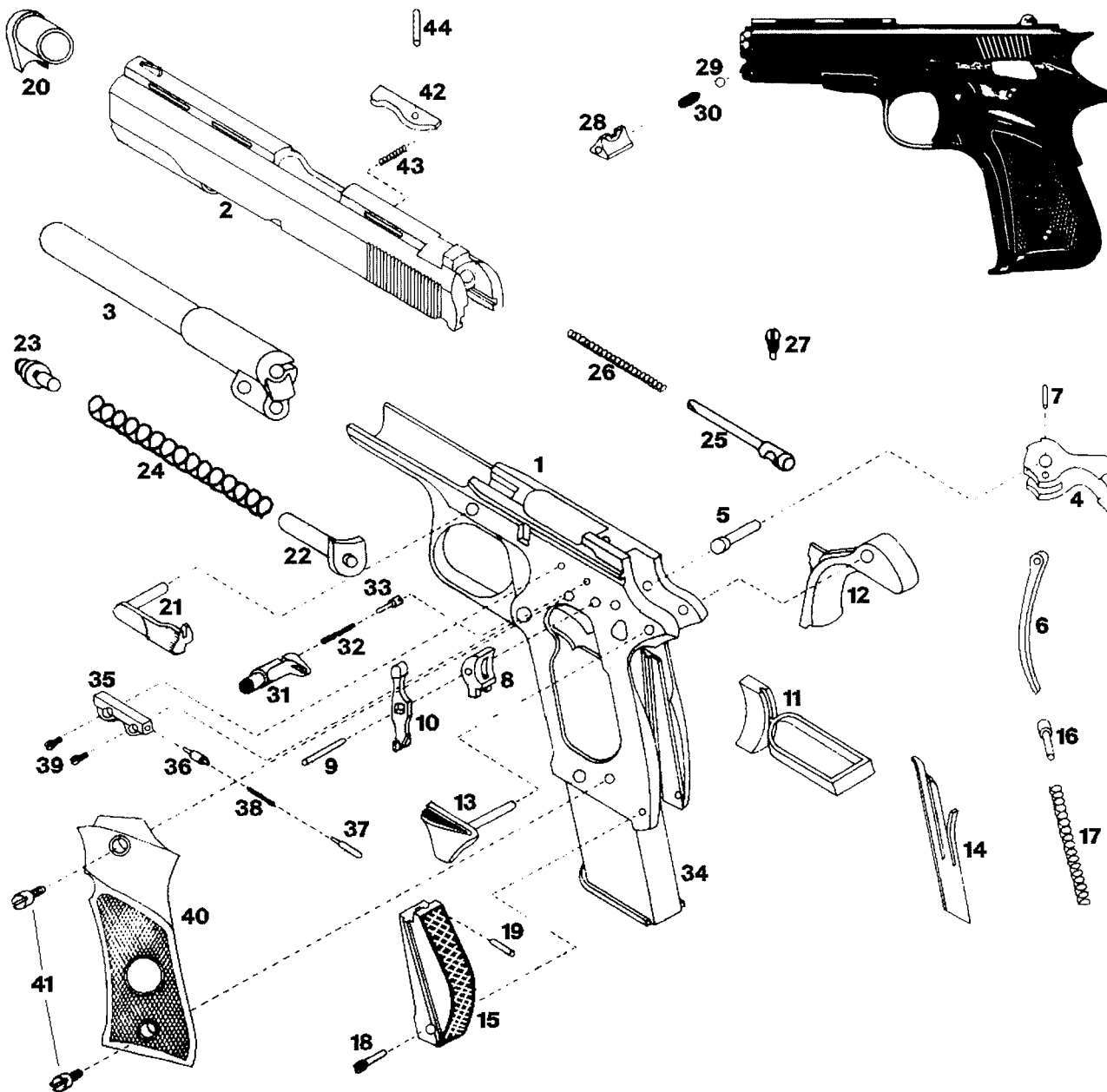
1	Barrel	10	Barrel Lever Spring	19	Left Grip
2	Slide	11	Right Recoil Lever	20	Trigger Spring
3	Firing Pin Rebound Spring	12	Left Recoil Lever	21	Trigger Spring Washer
4	Mainspring	13	Magazine Assembly	22	Trigger Strut Pin
5	Firing Pin	14	Recoil Spring Guide	23	Trigger
6	Slide Cap	15	Trigger Strut	24	Trigger Guard
7	Frame	16	Recoil Link Pin	25	Barrel Hinge Pin
8	Barrel Lever	17	Recoil Link		
9	Right Grip	18	Recoil Spring		

Pocket Model Auto

Courtesy of Dennis Riordan

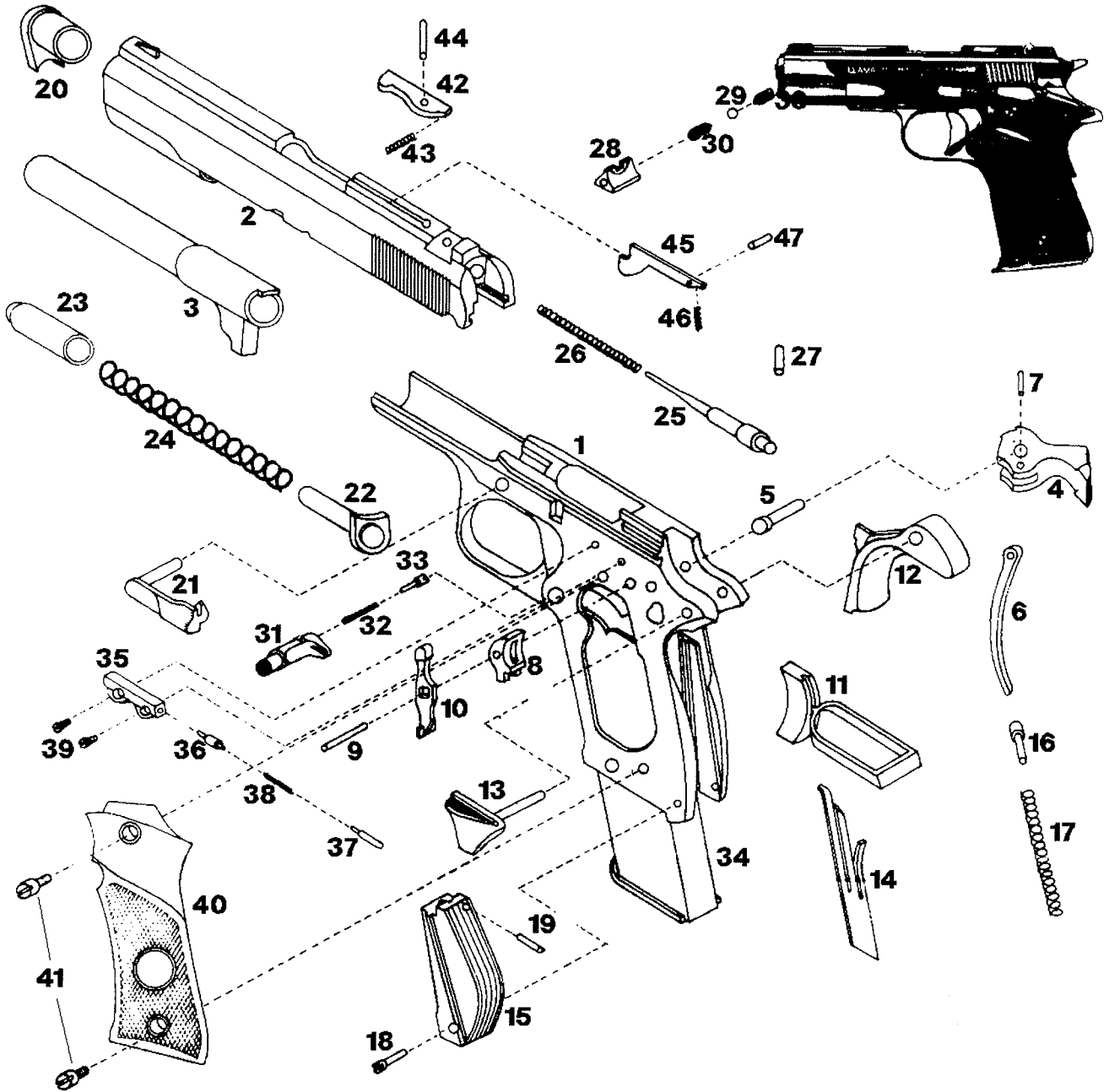


1	Slide Cap	10	Barrel Pin	19	Right Recoil Lever
2	Mainspring	11	Barrel	20	Recoil Spring Guide
3	Firing Pin	12	Magazine Assembly	21	Barrel Lever
4	Firing Pin Rebound Spring	13	Barrel Lever Spring	22	Trigger
5	Slide	14	Recoil Spring Assembly	23	Trigger Guard
6	Left Recoil Lever	15	Recoil Link	24	Right Grip
7	Frame	16	Recoil Spring	25	Grip Screws
8	Trigger Spring	17	Recoil Link Pin		
9	Left Grip	18	Recoil Lever Screws		



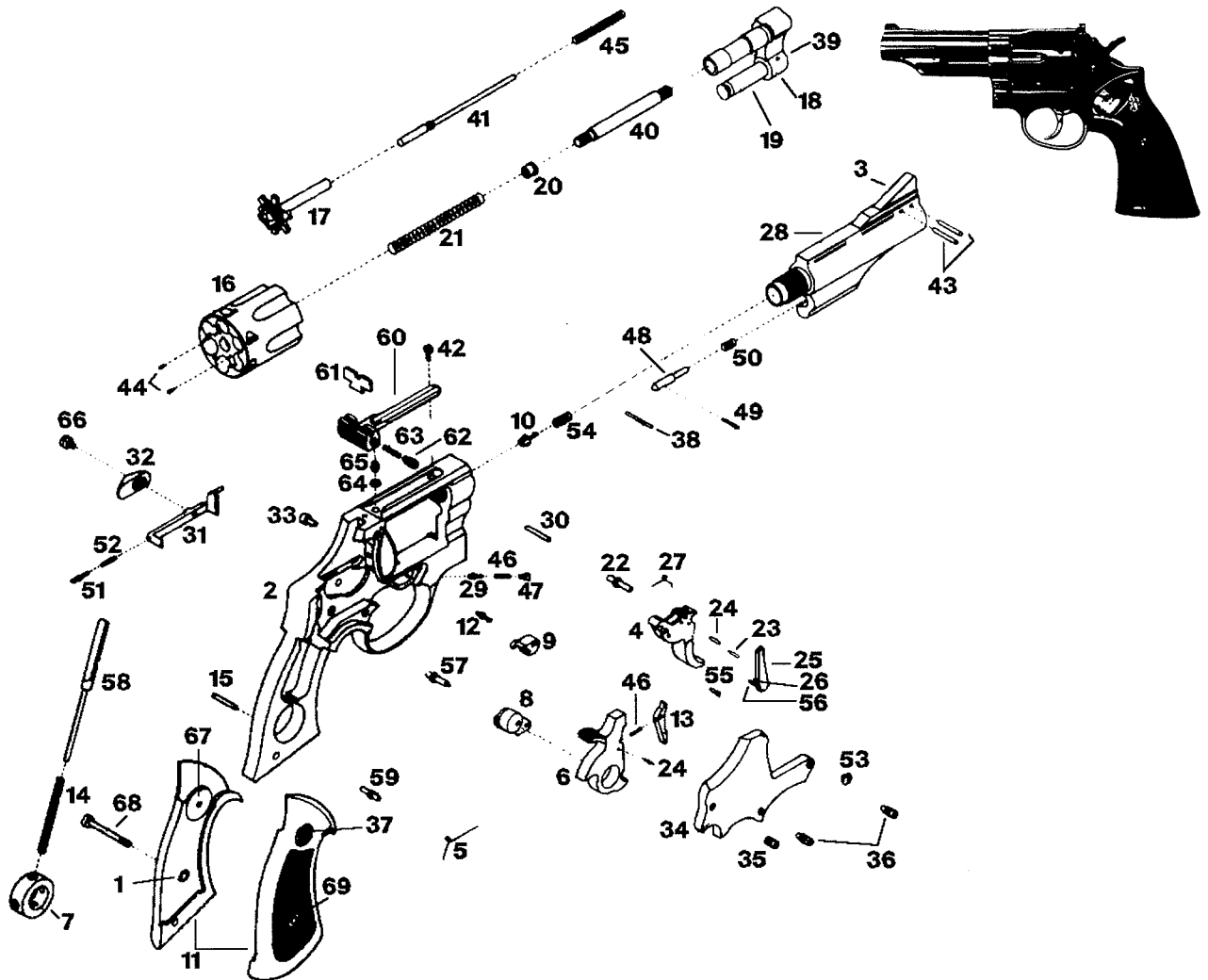
1	Frame	16	Mainspring Cap	31	Magazine Catch
2	Slide	17	Mainspring	32	Magazine Catch Spring
3	Barrel	18	Mainspring Housing Pin	33	Magazine Catch Lock
4	Hammer	19	Mainspring Cap Pin	34	Magazine Assembly
5	Hammer Pin	20	Barrel Bushing	35	Plunger Tube
6	Hammer Strut	21	Slide Stop	36	Slide Stop Plunger
7	Hammer Strut Pin	22	Recoil Spring Guide	37	Safety Lock Plunger
8	Sear	23	Plug	38	Plunger Spring
9	Sear Pin	24	Recoil Spring	39	Plunger Screws
10	Disconnecter	25	Firing Pin	40	Grips
11	Trigger	26	Firing Pin Spring	41	Grips Screws
12	Grip Safety	27	Firing Pin Lock	42	Extractor
13	Safety Lock	28	Adjustable Sight	43	Extractor Spring
14	Sear Spring	29	Adjustable Sight Ball	44	Extractor Pin
15	Mainspring Housing	30	Adjustable Sight Screws		

32 Auto



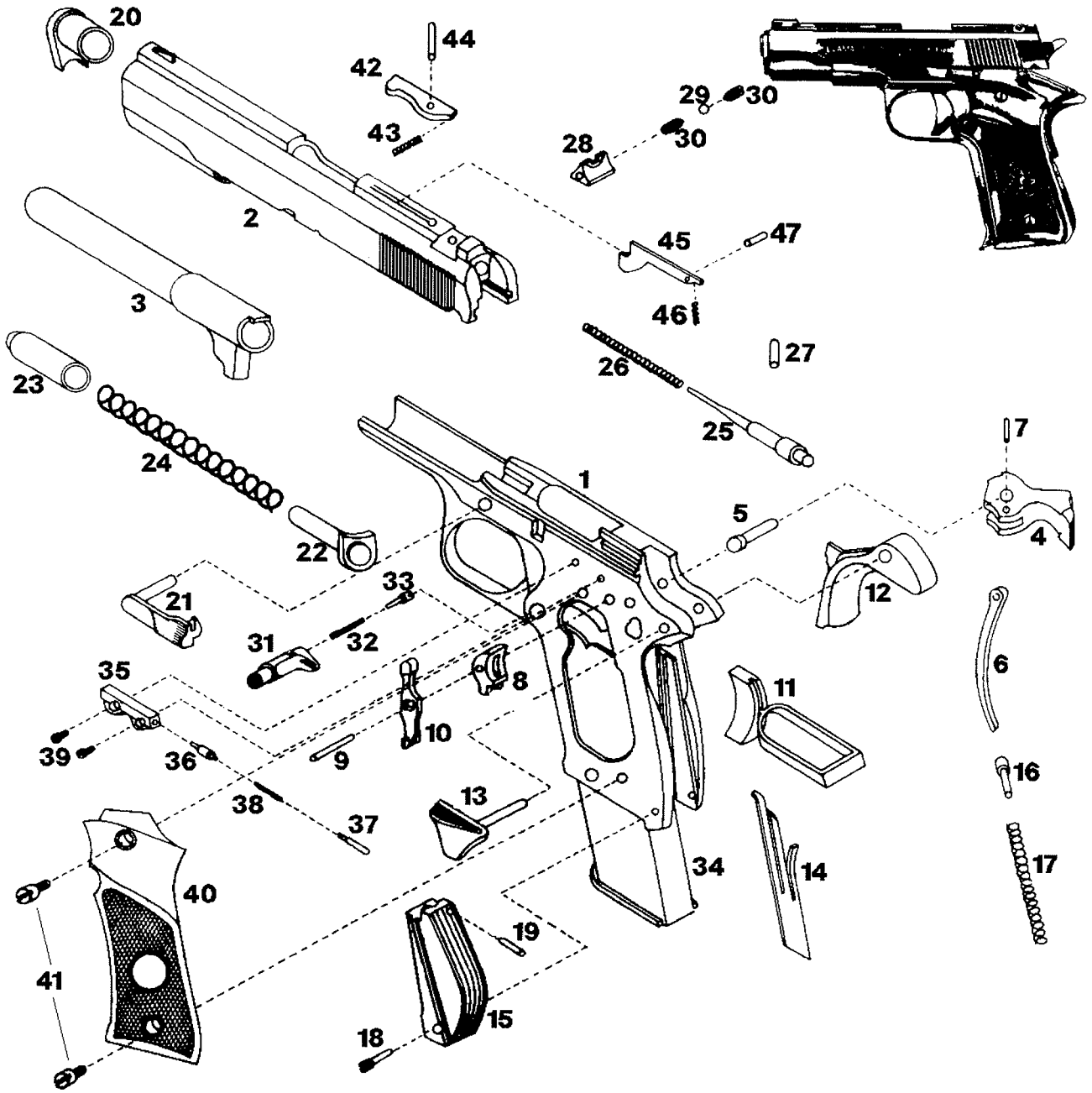
1	Frame	17	Mainspring	33	Magazine Catch Lock
2	Slide	18	Mainspring Housing Pin	34	Magazine Assembly
3	Barrel	19	Mainspring Cap Pin	35	Plunger Tube
4	Hammer	20	Barrel Bushing	36	Slide Stop Plunger
5	Hammer Pin	21	Slide Stop	37	Safety Lock Plunger
6	Hammer Strut	22	Recoil Spring Guide	38	Plunger Spring
7	Hammer Strut Pin	23	Plug	39	Plunger Screws
8	Sear	24	Recoil Spring	40	Grip
9	Sear Pin	25	Firing Pin	41	Grip Screws
10	Disconnecter	26	Firing Pin Spring	42	Extractor
11	Trigger	27	Firing Pin Lock	43	Extractor Spring
12	Grip Safety	28	Adjustable Sight	44	Extractor Pin
13	Safety Lock	29	Adjustable Sight Ball	45	Loaded-Chamber Indicator
14	Sear Spring	30	Adjustable Sight Screw	46	Indicator Spring
15	Mainspring Housing	31	Magazine Catch	47	Indicator Pin
16	Mainspring Cap	32	Magazine Catch Spring		

357 Revolver



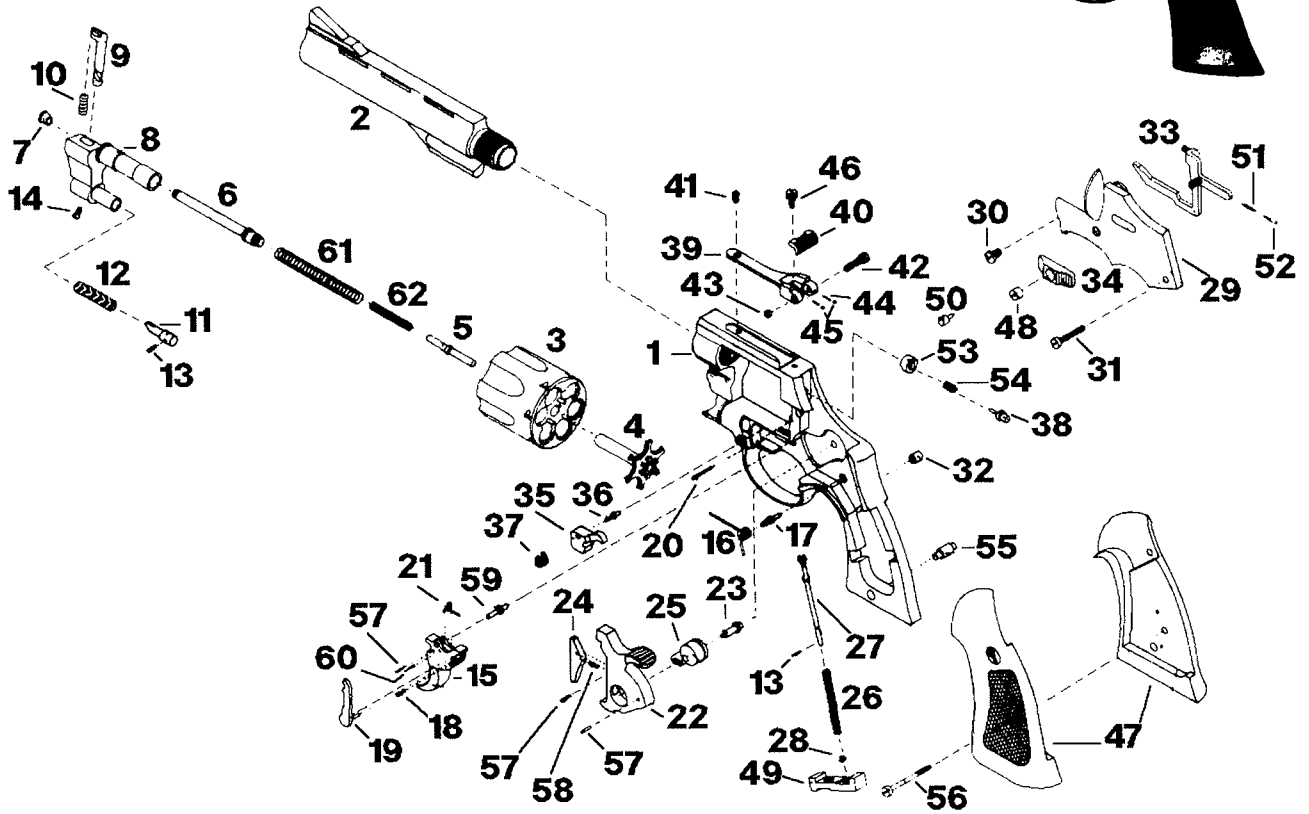
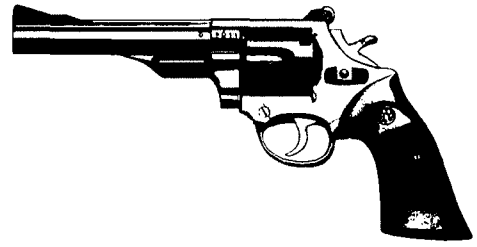
1	Washer	25	Hand	48	Locking Bolt
2	Frame	26	Hand Spring Stop	49	Locking Bolt Pin
3	Front Sight	27	Hand Spring	50	Locking Bolt Spring
4	Trigger	28	Barrel	51	Bolt Plunger
5	Trigger Spring	29	Cylinder Stop Plunger	52	Bolt Spring
6	Hammer	30	Barrel Pin	53	Upper Plate Screw
7	Pressure Regulator	31	Bolt	54	Firing Nose Spring
8	Hammer Cam	32	Thumb-Piece	55	Trigger Spring Plunger
9	Cylinder Stop	33	Frame Lug	56	Hand Axle
10	Firing Nose	34	Sideplate	57	Hammer Strut
11	Stocks	35	Plate Screw	58	Hammer Spring
12	Cylinder Stop Center	36	Yoke Screws	59	Trigger Spring Pin
13	Sear	37	Medallion	60	Rear Sight Leaf
14	Hammer Spring	38	Firing Nose Pin	61	Rear Sight
15	Stock Guide Pin	39	Yoke Pin	62	Rear Sight Windage Screw
16	Cylinder	40	Extractor Rod	63	Rear Sight Spring
17	Extractor	41	Center Pin	64	Nut Plate of Rear Sight
18	Yoke	42	Rear Sight Leaf Screw		Leaf Elevator
19	Yoke Center	43	Front Sight Pins	65	Rear Sight Elevating Nut
20	Extractor Collar	44	Extractor Guide Plungers	66	Thumb-Piece Screw
21	Extractor Spring	45	Extractor Spring	67	Rivet for Medallion
22	Trigger Stud	46	Cylinder Stop Plunger Spring	68	Stock Screw
23	Hand Spring Pin		and Sear Spring	69	Nut
24	Sear Pin and Hand Spring Axle	47	Cylinder Stop Screw		

380 Auto



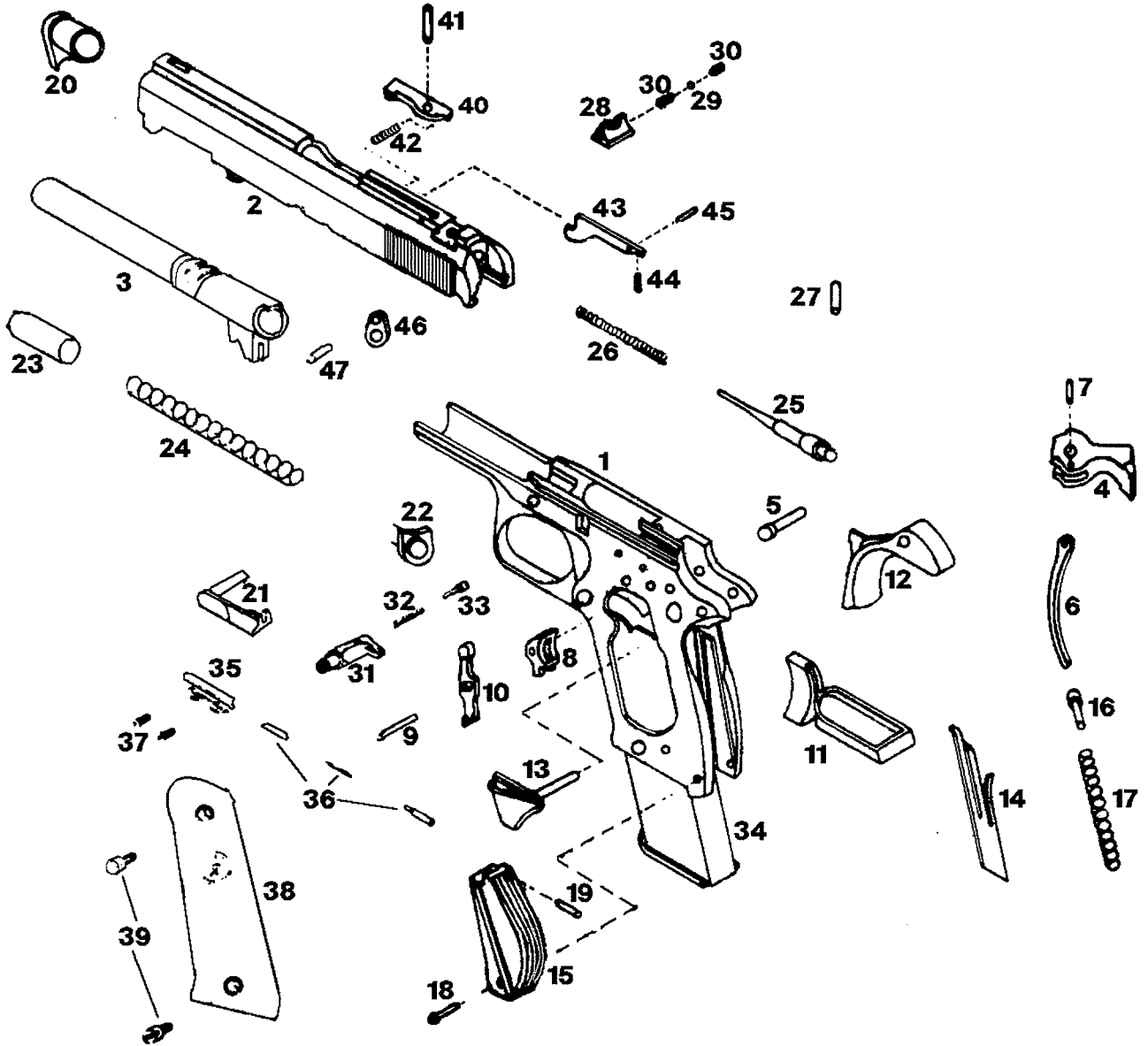
6	Hammer Strut	20	Barrel Bushing	34	Magazine
7	Hammer Strut Pin	21	Slide Stop	35	Plunger Tube
8	Sear	22	Recoil Spring Guide	36	Slide Stop Plunger
9	Sear Pin	23	Plug	37	Safety Lock Plunger
10	Disconnecter	24	Recoil Spring	38	Plunger Spring
11	Trigger	25	Firing Pin	39	Plunger Screws
12	Grip Safety	26	Firing Pin Spring	40	Grip
13	Safety Lock	27	Firing Pin Lock	41	Grip Screws
14	Sear Spring	28	Adjustable Sight	42	Extractor
15	Mainspring Housing	29	Adjustable Sight Ball	43	Extractor Spring
16	Mainspring Cap	30	Adjustable Sight Screws	44	Extractor Pin
17	Mainspring	31	Magazine Catch	45	Loaded-Chamber Indicator
18	Mainspring Housing Pin	32	Magazine Catch Spring	46	Indicator Spring
19	Mainspring Cap Pin	33	Magazine Catch Lock	47	Indicator Pin

44 Magnum Revolver



1	Frame	22	Hammer	43	Rear Sight Screw Nut
2	Barrel	23	Hammer Stud	44	Elevating Nut Springs
3	Cylinder	24	Sear	45	Elevating Nut Balls
4	Extractor	25	Hammer Cam	46	Rear Sight Elevating Nut
5	Center Pin	26	Hammer Spring	47	Stocks
6	Extractor Rod	27	Hammer Strut	48	Thumb-Piece Nut
7	Extractor Rod Collar	28	Hammer Spring Prop	49	Pressure Regulator
8	Yoke	29	Sideplate	50	Frame Lug
9	Yoke Bolt	30	Plate Screw	51	Bolt Plunger Spring
10	Bolt Spring	31	Grip Screw Guide	52	Bolt Plunger
11	Bolt Disconnecter	32	Grip Screw Guide Nut	53	Pin Bush
12	Disconnecter Spring	33	Bolt	54	Firing Nose Spring
13	Disconnecter Spring Pins	34	Thumb-Piece	55	Stock Guide Pin
14	Yoke Screw	35	Cylinder Stop	56	Stock Screw
15	Trigger	36	Cylinder Stop Center	57	Sear Pin and Hammer Strut Pin
16	Trigger Spring	37	Cylinder Stop Spring	58	Sear Spring
17	Trigger Spring Pin	38	Firing Nose	59	Trigger Stud
18	Trigger Spring Plunger	39	Rear Sight Leaf	60	Hand Spring Pin
19	Hand	40	Rear Sight	61	Extractor Spring
20	Hand Stop	41	Rear Sight Leaf Screw	62	Center Pin Spring
21	Hand Spring	42	Rear Sight Windage Screw		

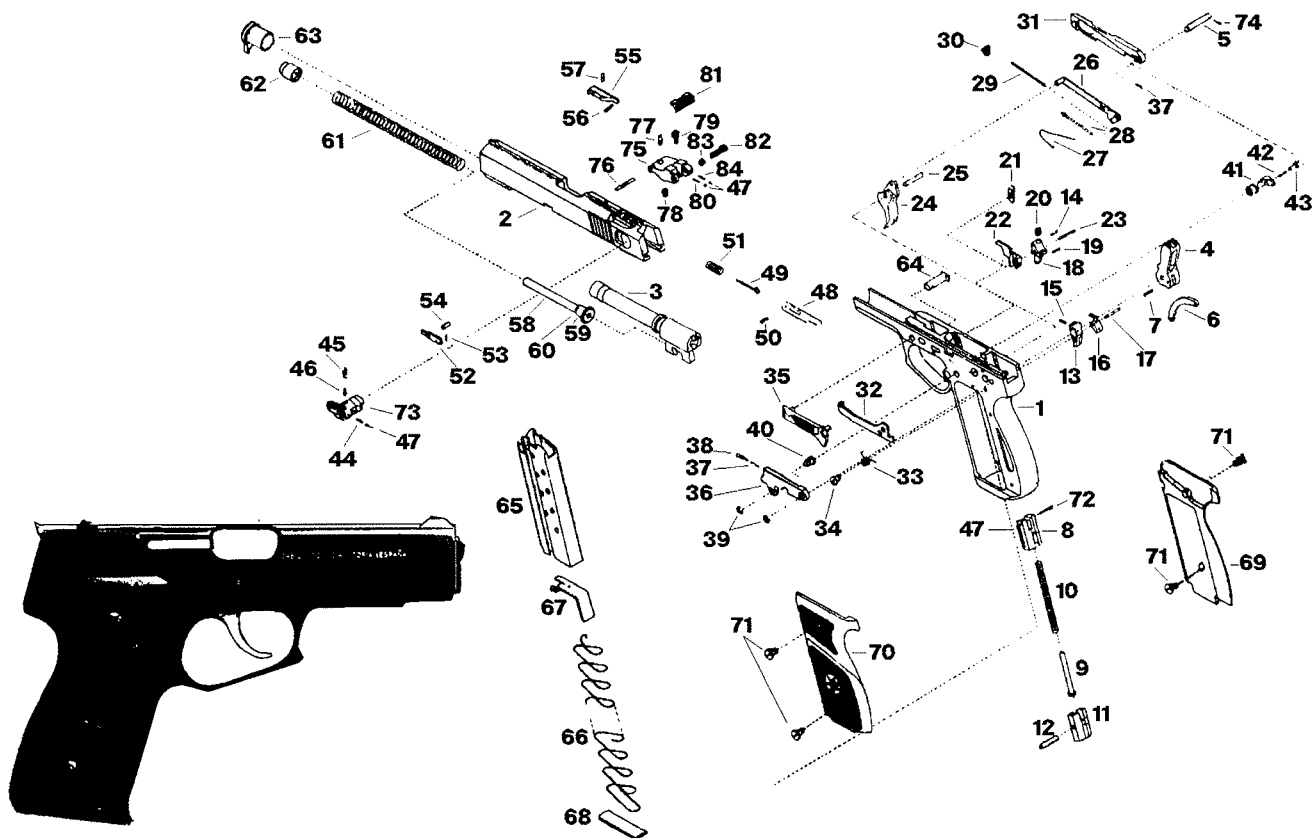
45 Auto



1	Frame	18	Mainspring Housing Pin	35	Plunger Tube
2	Slide	19	Mainspring Cap Pin	36	Plunger Complete
3	Barrel	20	Barrel Bushing	37	Plunger Screws
4	Hammer	21	Slide Stop	38	Grip
5	Hammer Pin	22	Recoil Spring Guide	39	Grip Screws
6	Hammer Strut	23	Plug	40	Extractor
7	Hammer Strut Pin	24	Recoil Spring	41	Extractor Pin
8	Sear	25	Firing Pin	42	Extractor Spring
9	Sear Pin	26	Firing Pin Spring	43	Loaded-Chamber Indicator
10	Disconnecter	27	Firing Pin Lock	44	Indicator Spring
11	Trigger	28	Adjustable Rear Sight	45	Indicator Pin
12	Grip Safety	29	Adjustable Sight Ball	46	Barrel Link
13	Safety Lock	30	Adjustable Sight Screws	47	Barrel Link Pin
14	Sear Spring	31	Magazine Catch		
15	Mainspring Housing	32	Magazine Catch Spring		
16	Mainspring Cap	33	Magazine Catch Lock		
17	Mainspring	34	Magazine		

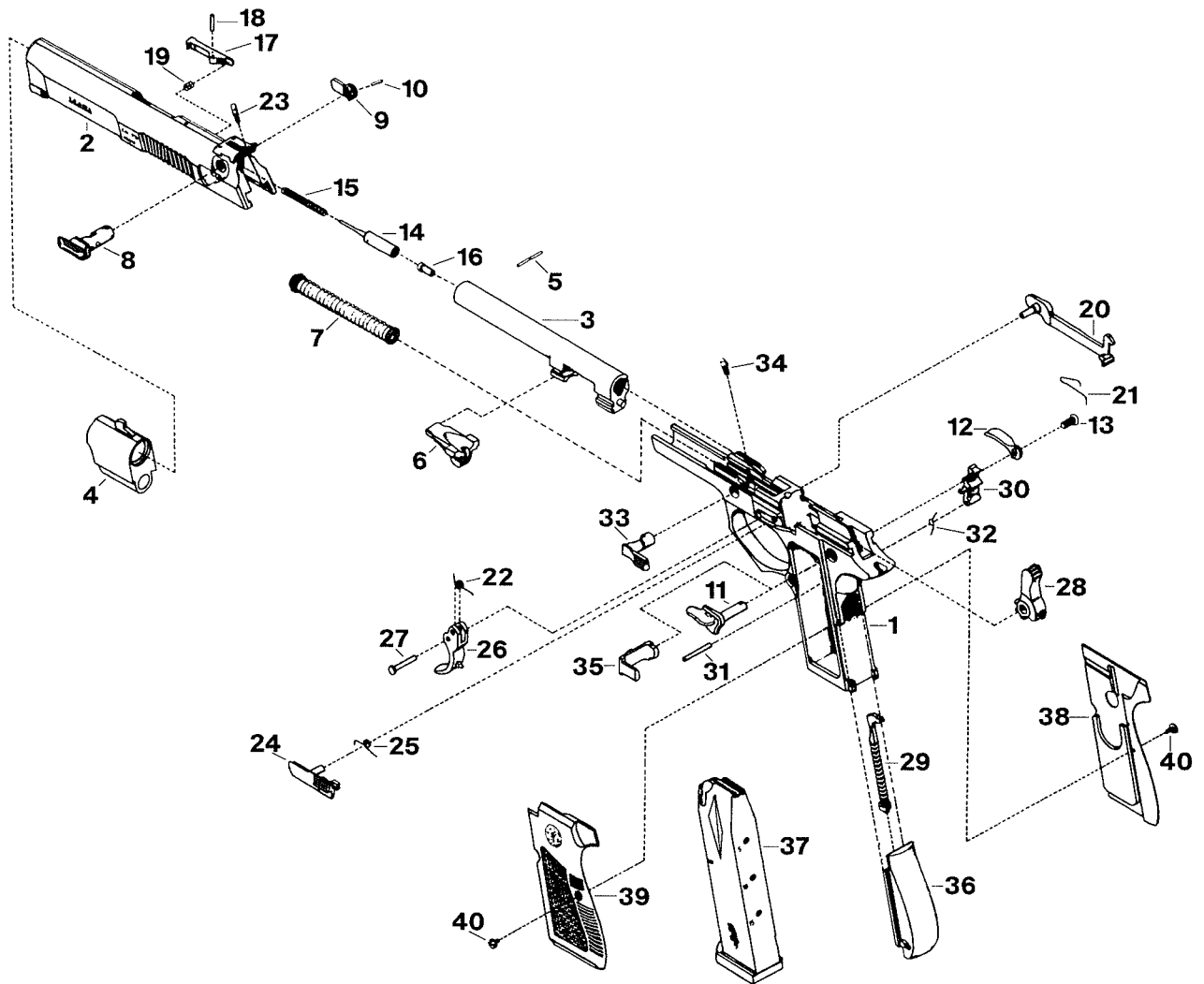
Parts Not Shown
Front Sight

45 Omni Auto



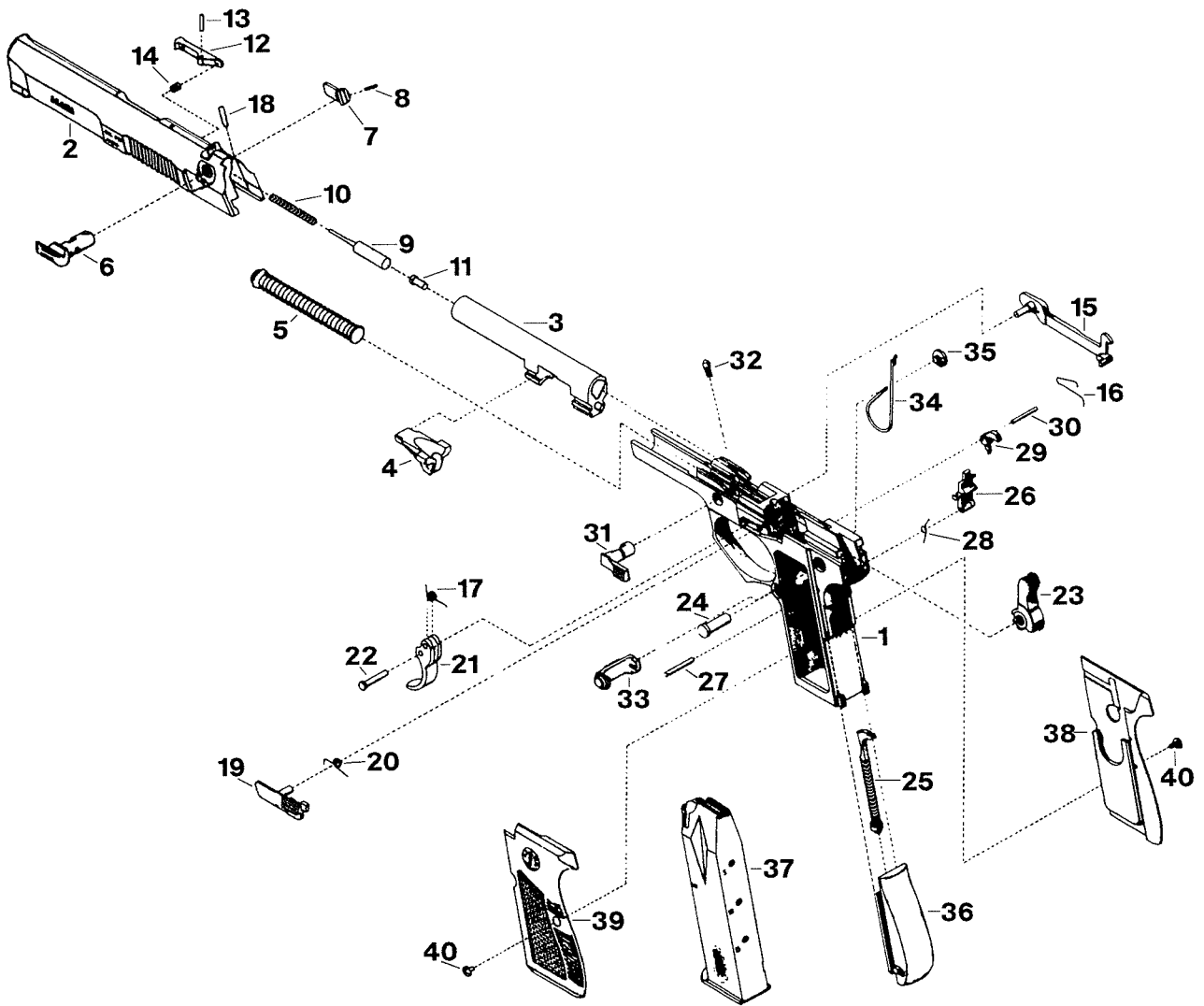
1	Frame	29	Double Action Trigger Bar Spring	57	Extractor Pin
2	Slide	30	Double Action Trigger Bar Spring Support	58	Recoil Spring Guide
3	Barrel	31	Bolt	59	Recoil Spring Guide Head
4	Hammer	32	Single Action Trigger Bar	60	Recoil Spring Guide Pin
5	Hammer Pin	33	Single Action Trigger Bar Spring	61	Recoil Spring
6	Stirrup	34	Single Action Trigger Bar Spring Pin	62	Recoil Spring Plug
7	Stirrup Pin	35	Slide Stop	63	Barrel Bushing
8	Hammer Spring Carriage	36	Plunger Tube	64	Barrel Pin
9	Hammer Spring Guide	37	Plunger Tube Spring/Bolt Spring	65	Magazine
10	Hammer Spring	38	Tube Spring Plunger	66	Magazine Spring
11	Hammer Spring Stop	39	Tube Fixing Washer	67	Magazine Follower
12	Hammer Spring Stop Pin	40	Tube Fixing Pin	68	Magazine Buttplate
13	Sear	41	Magazine Catch	69	Right Stock
14	Automatic Safety Lock Spring Pin	42	Magazine Catch Spring	70	Left Stock
15	Sear Spring	43	Catch Screw	71	Stock Screws
16	Automatic Safety Lock Disconnecter	44	Manual Safety Lock Ball Spring	72	Hammer Spring Carriage Pin
17	Sear Pin	45	Safety Lock Plunger	73	Manual Safety Lock
18	Automatic Safety Lock	46	Safety Lock Plunger Spring	74	Hammer Pin Transverse Pin
19	Automatic Safety Lock Pin	47	Carriage Ball Bearings	75	Rear Sight Leaf
20	Automatic Safety Lock Spring	48	Rear Part of Firing Pin	76	Leaf Stud
21	Manual Safety Lock	49	Front Part of Firing Pin	77	Rear Sight Pin Fastening Pin/Firing Nose Butt Pin
22	Ejector	50	Firing Pin Stud	78	Rear Sight Elevating Spring
23	Ejector Pin	51	Firing Pin Spring	79	Rear Sight Elevating Screw
24	Trigger	52	Firing Pin Safety Lock	80	Elevating Screw Spring
25	Trigger Pin	53	Firing Pin Safety Lock Spring	81	Rear Sight
26	Double Action Trigger Bar	54	Firing Pin Safety Lock Pin	82	Rear Sight Windage Screw
27	Double Action Trigger Bar Raising Spring	55	Extractor	83	Rear Sight Windage Spring
28	Double Action Trigger Bar Spring Guide	56	Extractor Spring	84	Rear Sight Windage Screw Spring

M-87 Auto



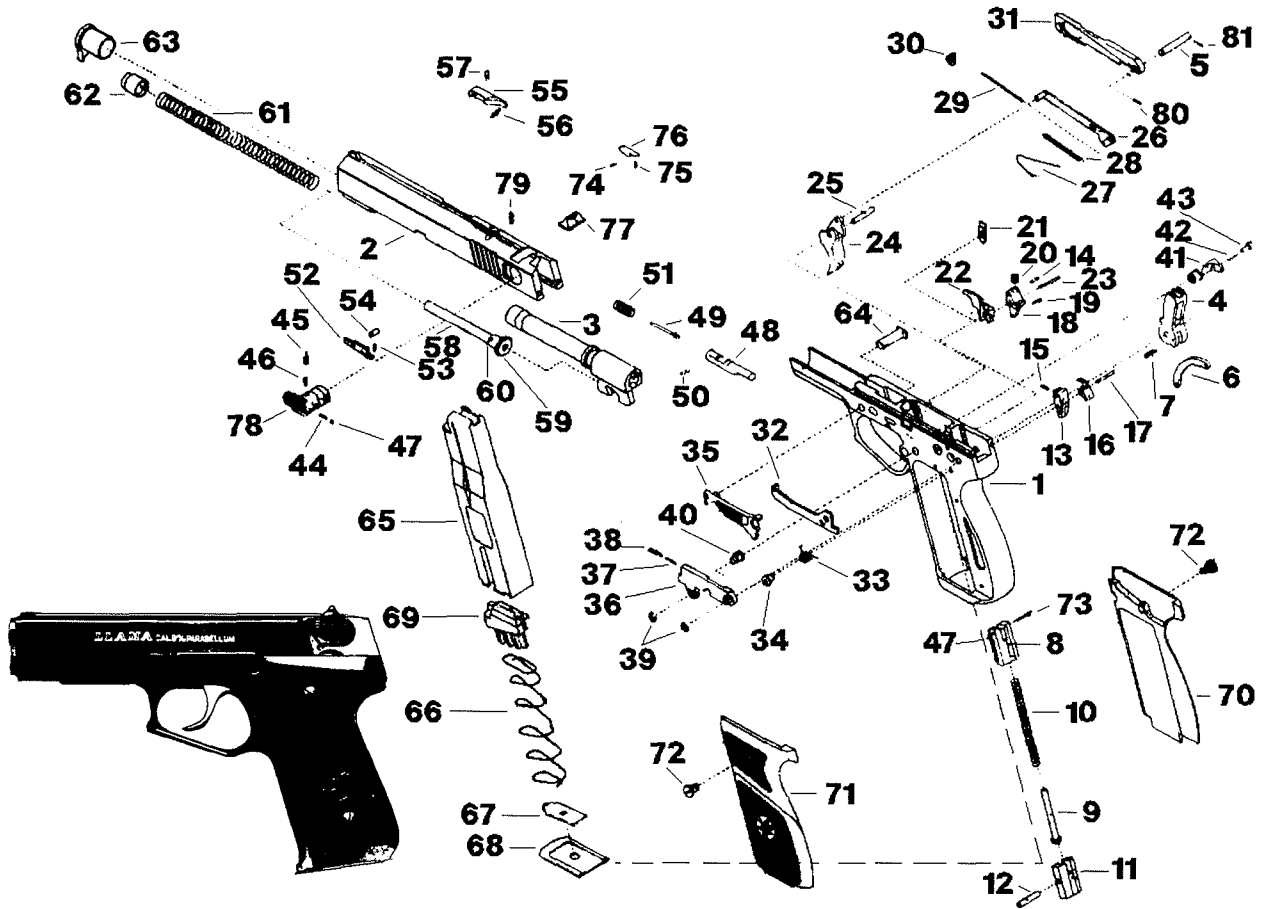
1	Frame	14	Firing Pin	28	Hammer
2	Slide	15	Firing Pin Spring	29	Hammer Spring
3	Barrel	16	Firing Pin Impeller	30	Sear
4	Muzzle Compensator	17	Extractor	31	Sear Pin
5	Muzzle Compensator Fastening Pin	18	Extractor Pin	32	Sear Spring
6	Locking Block	19	Extractor Spring	33	Disassembling Latch
7	Recoil Spring	20	Trigger Bar	34	Disassembling Latch Fixing Pin
8	Left Safety	21	Trigger Bar Spring	35	Magazine Catch
9	Right Safety	22	Trigger Spring	36	Hammer Spring Housing
10	Right Safety Pin	23	Trigger Bar Disconnecter	37	Magazine Assembly
11	Safety Lock	24	Slide Stop	38	Right Grip
12	Right Grip Safety	25	Slide Stop Spring	39	Left Grip
13	Grip Fastening Screw	26	Trigger	40	Grip Screws
		27	Trigger Pin		

9mm DA M-82 Auto



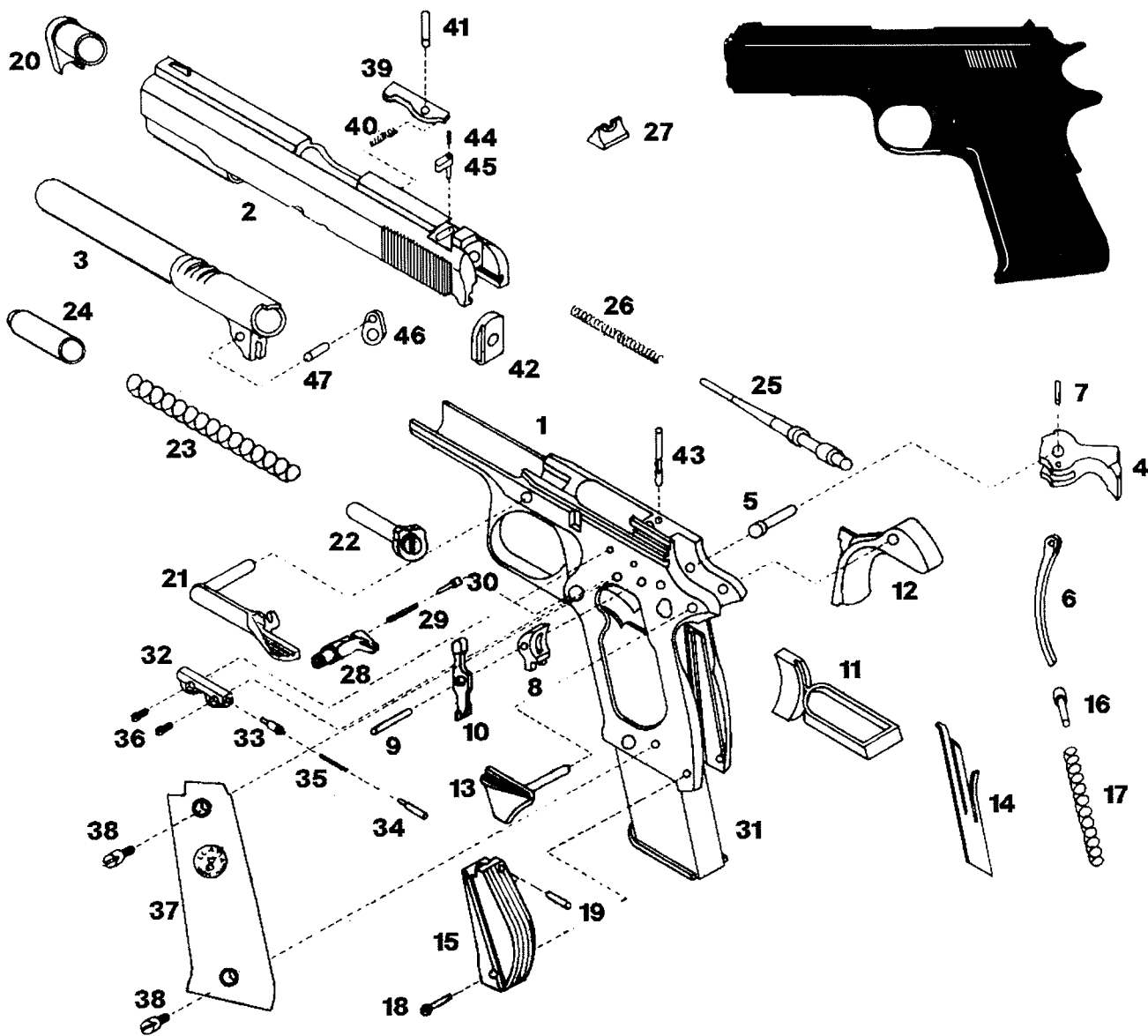
1	Frame	21	Trigger
2	Slide	22	Trigger Pin
3	Barrel	23	Hammer
4	Locking Block	24	Hammer Pin
5	Recoil Spring	25	Hammer Spring
6	Left Safety	26	Sear
7	Right Safety	27	Sear Pin
8	Right Safety Pin	28	Sear Spring
9	Firing Pin	29	Sear Disconnecter
10	Firing Pin Spring	30	Sear Disconnecter Pin
11	Firing Pin Impeller	31	Disassembling Latch
12	Extractor	32	Disassembling Latch Fixing Pin
13	Extractor Pin	33	Magazine Catch
14	Extractor Spring	34	Magazine Safety
15	Trigger Bar	35	Magazine Safety Screw
16	Trigger Bar Spring	36	Hammer Spring Housing
17	Trigger Spring	37	Magazine
18	Trigger Bar Disconnecter	38	Right Grip
19	Slide Stop	39	Left Grip
20	Slide Stop Spring	40	Grip Screws

9mm Omni Auto



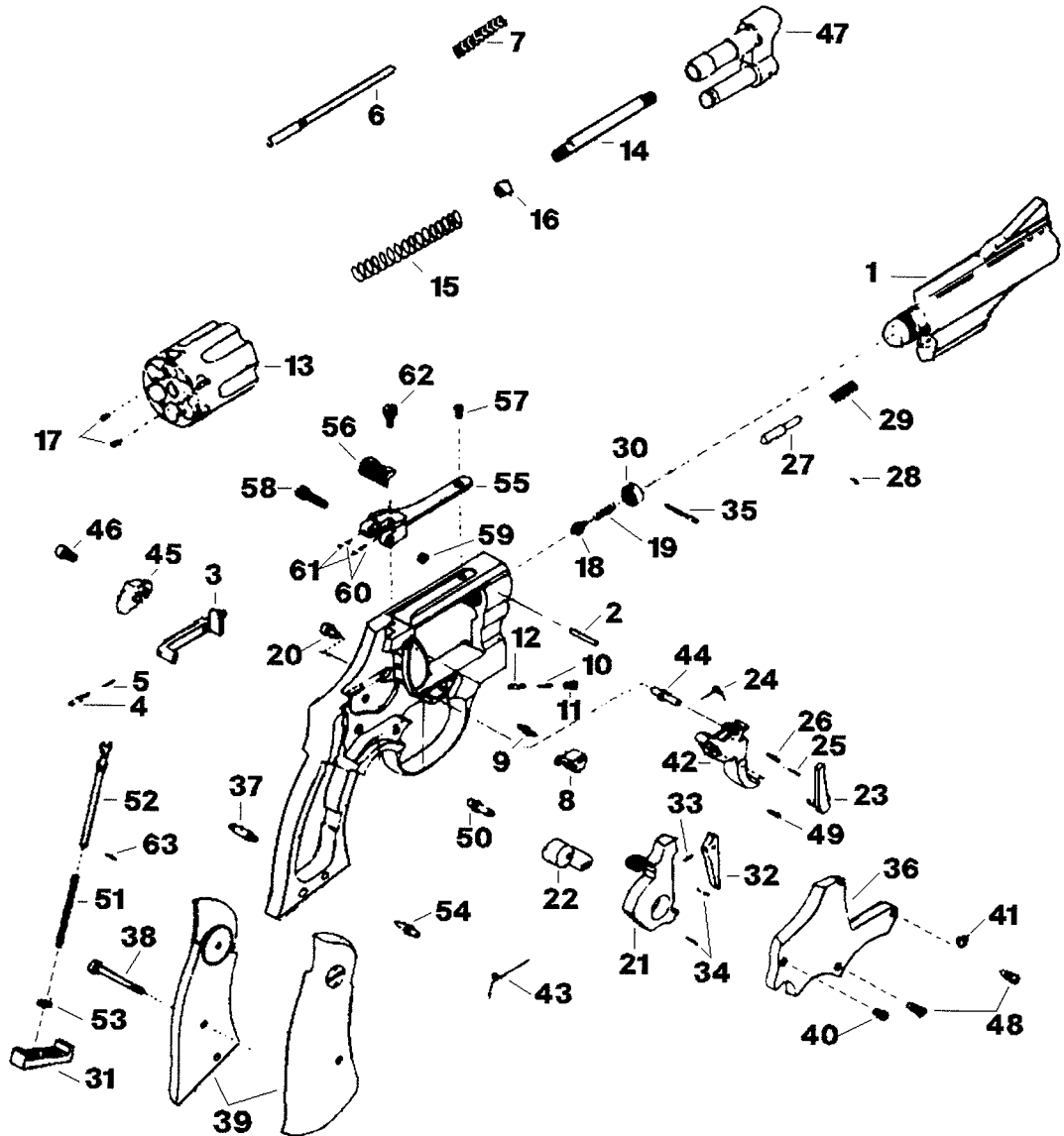
1	Frame	28	Double Action Trigger Bar Spring Guide	54	Firing Pin Safety Lock Pin
2	Slide	29	Double Action Trigger Bar Spring Support	55	Extractor
3	Barrel	30	Double Action Trigger Bar Spring Support	56	Extractor Spring
4	Hammer	31	Bolt	57	Extractor Pin
5	Hammer Pin	32	Single Action Trigger Bar	58	Recoil Spring Guide
6	Stirrup	33	Single Action Trigger Bar Spring	59	Recoil Spring Guide Head
7	Stirrup Pin	34	Single Action Trigger Bar Spring Pin	60	Recoil Spring Guide Pin
8	Hammer Spring Carriage	35	Slide Stop	61	Recoil Spring
9	Hammer Spring Guide	36	Plunger Tube	62	Recoil Spring Plug
10	Hammer Spring	37	Plunger Tube Spring	63	Barrel Bushing
11	Hammer Spring Stop	38	Tube Spring Plunger	64	Barrel Pin
12	Hammer Spring Stop Pin	39	Tube Fixing Washers	65	Magazine
13	Sear	40	Tube Fixing Pin	66	Magazine Spring
14	Automatic Safety Lock Spring Pin	41	Magazine Catch	67	Magazine Buttplate Catch
15	Sear Spring	42	Magazine Catch Spring	68	Magazine Buttplate
16	Automatic Safety Lock Disconnecter	43	Catch Screw	69	Magazine Follower
17	Sear Pin	44	Manual Safety Lock Ball Spring	70	Right Stock
18	Automatic Safety Lock	45	Safety Lock Plunger	71	Left Stock
19	Automatic Safety Lock Pin	46	Safety Lock Plunger Spring	72	Stock Screws
20	Automatic Safety Lock Spring	47	Carriage Ball Bearing	73	Hammer Spring Carriage Pin
21	Manual Safety Lock	48	Rear Part of Firing Pin	74	Indicator Pin
22	Ejector	49	Front Part of Firing Pin	75	Indicator Spring
23	Ejector Pin	50	Firing Pin Stud	76	Loaded-Chamber Indicator
24	Trigger	51	Firing Pin Spring	77	Rear Sight
25	Trigger Pin	52	Firing Pin Safety Lock	78	Manual Safety Lock
26	Double Action Trigger Bar	53	Firing Pin Safety Lock Spring	79	Firing Pin Stop Pin
27	DA Trigger Bar Raising Spring			80	Bolt Spring
				81	Hammer Pin Transverse Pin

9mm Parabellum Auto



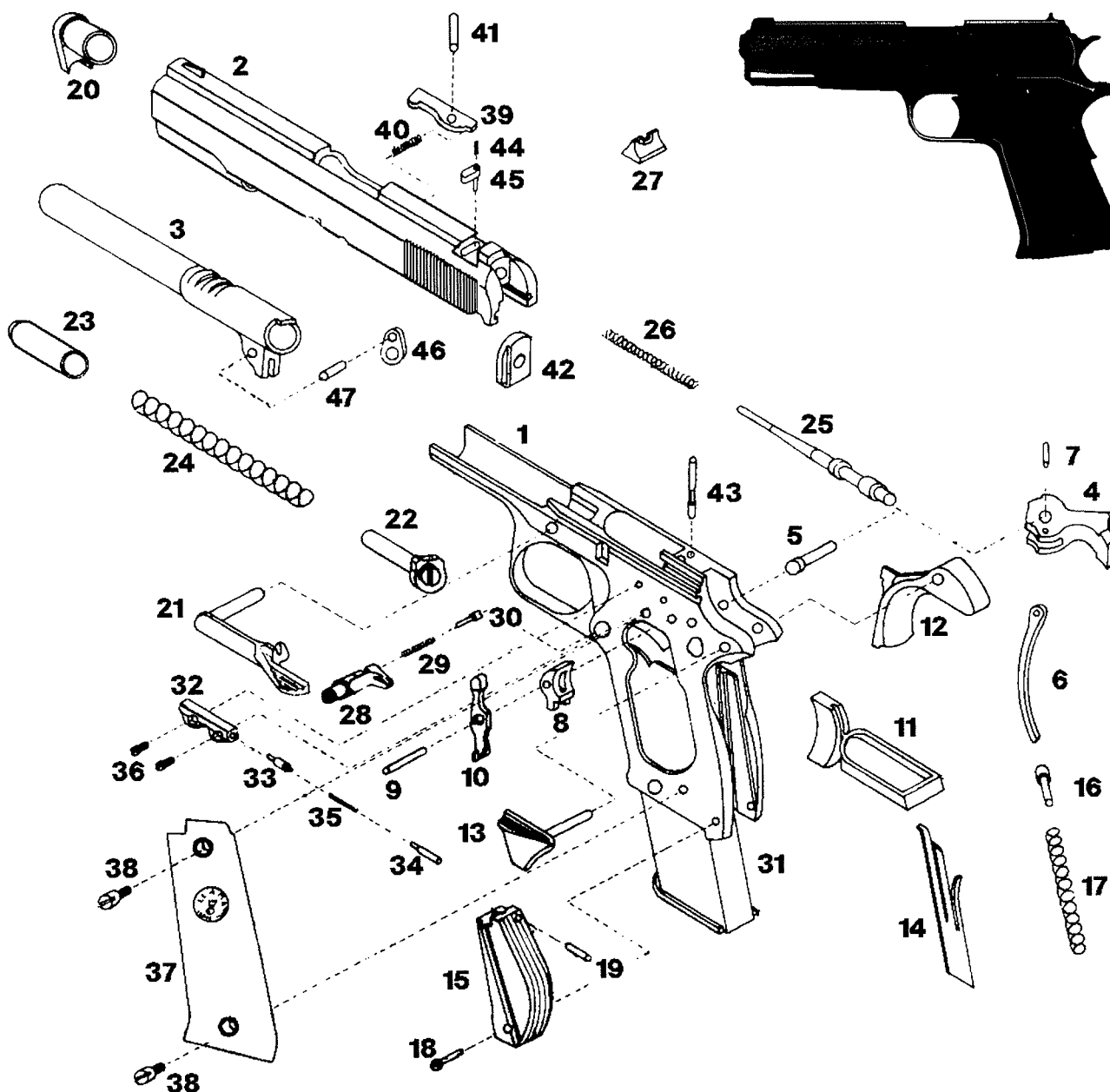
1	Frame	17	Mainspring	33	Slide Stop Plunger
2	Slide	18	Mainspring Housing Pin	34	Safety Lock Plunger
3	Barrel	19	Mainspring Cap Pin	35	Plunger Spring
4	Hammer	20	Barrel Bushing	36	Plunger Screws
5	Hammer Pin	21	Slide Stop	37	Grip
6	Hammer Strut	22	Recoil Spring Guide	38	Grip Screws
7	Hammer Strut Pin	23	Recoil Spring	39	Extractor
8	Sear	24	Plug	40	Extractor Spring
9	Sear Pin	25	Firing Pin	41	Extractor Pin
10	Disconnecter	26	Firing Pin Spring	42	Firing Pin Retainer
11	Trigger	27	Rear Sight	43	Firing Pin Safety Disconnecter
12	Grip Safety	28	Magazine Catch	44	Firing Pin Safety Spring
13	Safety Lock	29	Magazine Catch Spring	45	Firing Pin Safety
14	Sear Spring	30	Magazine Catch Lock	46	Catenary
15	Mainspring Housing	31	Magazine	47	Catenary Pin
16	Mainspring Cap	32	Plunger Tube		

Comanche III Revolver



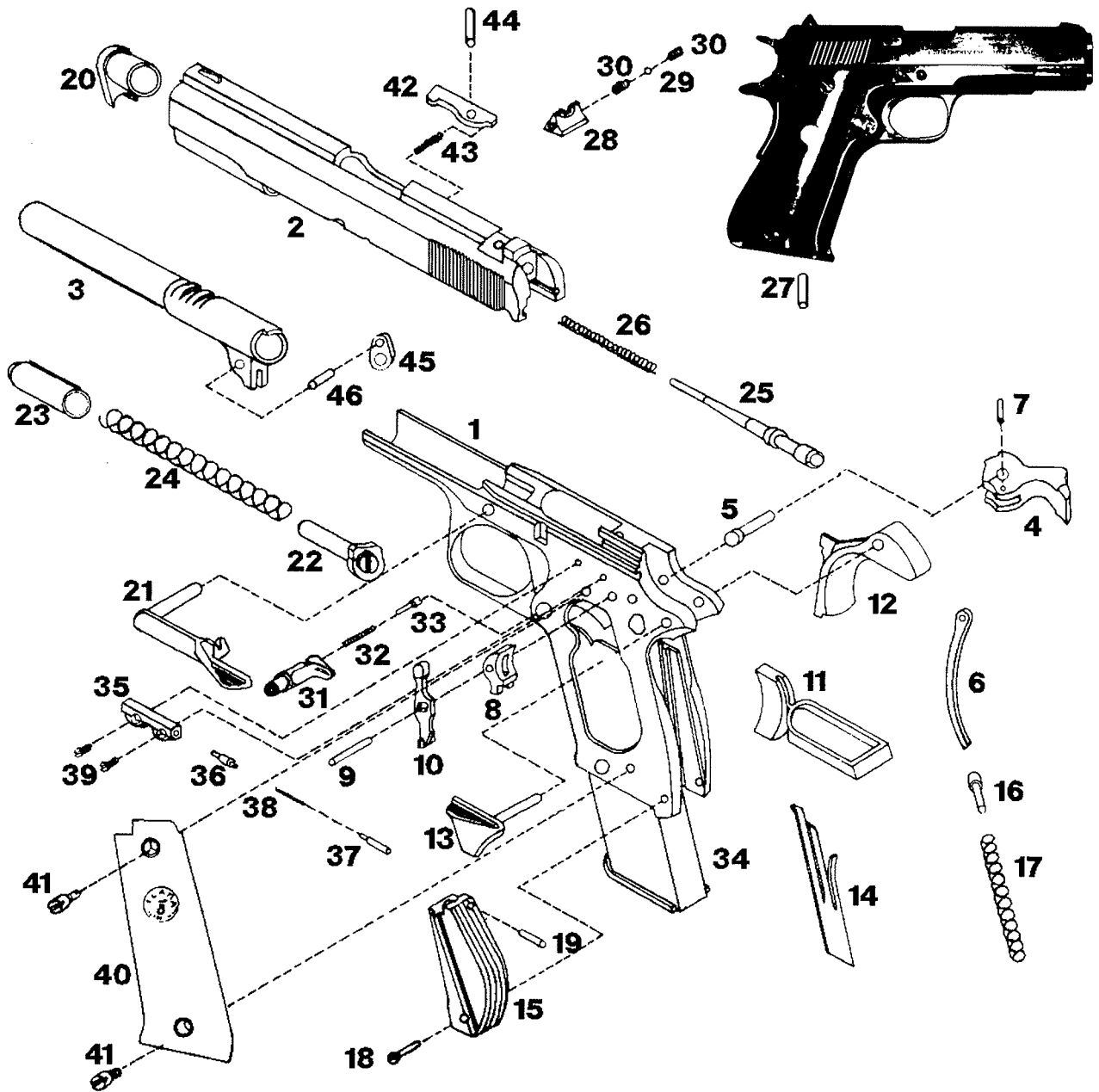
1	Barrel	22	Hammer Cam	43	Trigger Spring
2	Barrel Pin	23	Hand	44	Trigger Stud
3	Bolt	24	Hand Spring	45	Thumb-Piece
4	Bolt Plunger	25	Hand Spring Pin	46	Thumb-Piece Screw
5	Bolt Spring	26	Hammer Strut Pin	47	Yoke
6	Center Pin	27	Locking Bolt	48	Yoke Screws
7	Center Pin Spring	28	Locking Bolt Pin	49	Trigger Spring Plunger
8	Cylinder Stop	29	Locking Bolt Spring	50	Hammer Stud
9	Cylinder Stop Center	30	Pin Bushing	51	Hammer Spring
10	Cylinder Stop Plunger Spring	31	Pressure Regulator	52	Hammer Strut
11	Cylinder Stop Screw	32	Sear	53	Hammer Strut Prop
12	Cylinder Stop Plunger	33	Sear Spring	54	Trigger Spring Pin
13	Cylinder/Extractor	34	Sear Pin	55	Rear Sight Leaf
14	Extractor Rod	35	Steady Pins	56	Rear Sight
15	Extractor Spring	36	Sideplate	57	Rear Sight Leaf Screw
16	Extractor Collar	37	Stock Guide Pin	58	Rear Sight Windage Screw
17	Extractor Pins	38	Stock Screw	59	Rear Sight Screw Nut
18	Firing Nose	39	Stocks	60	Ball Springs
19	Firing Nose Spring	40	Plate Screw	61	Elevation Nut Balls
20	Frame Lug	41	Plate Screw, Upper	62	Rear Sight Elevation Nut
21	Hammer	42	Trigger	63	Disconnecter Spring Pin

Large Frame IX-A Auto



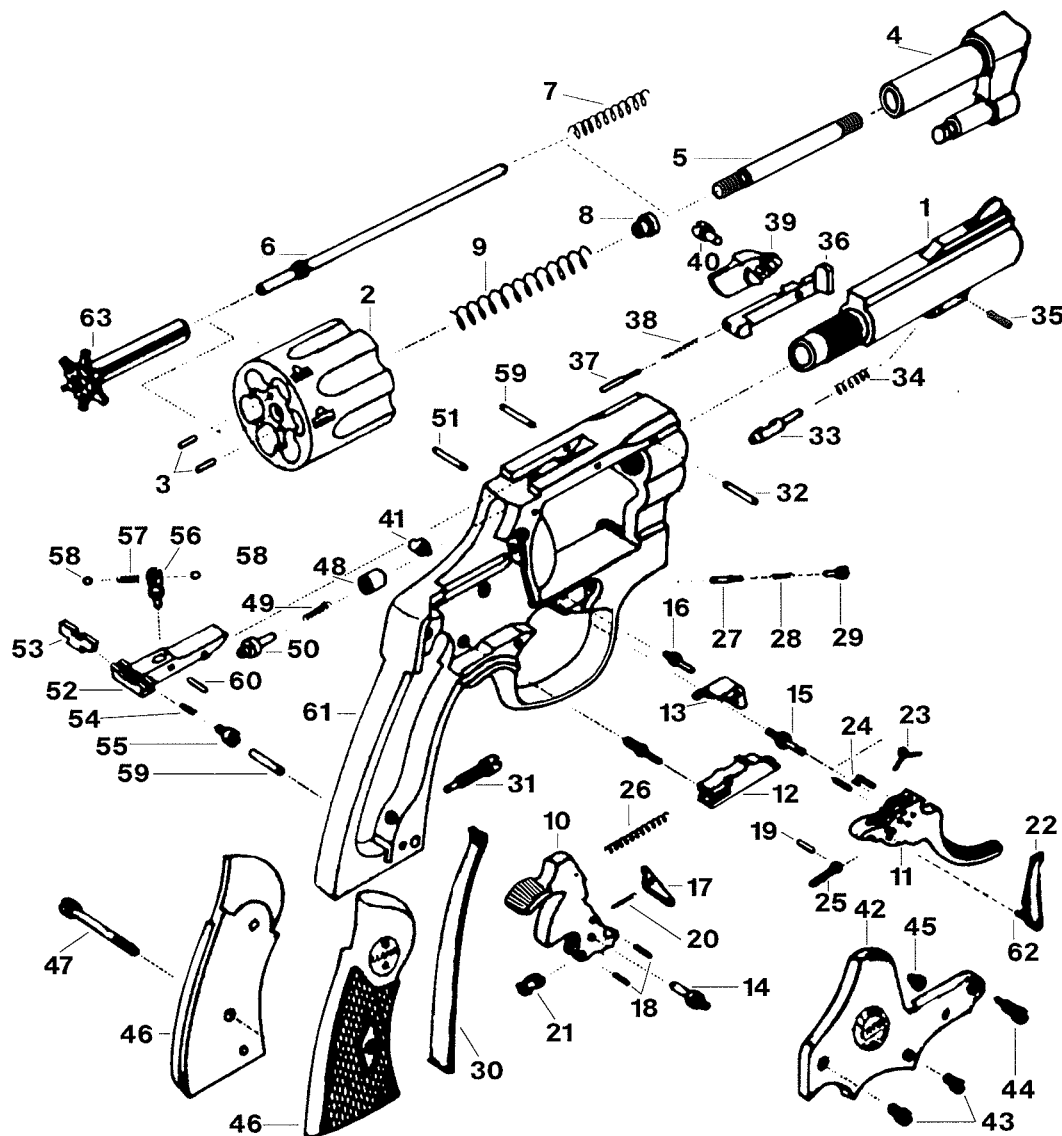
1	Frame	17	Mainspring	33	Slide Stop Plunger
2	Slide	18	Mainspring Housing Pin	34	Safety Lock Plunger
3	Barrel	19	Mainspring Cap Pin	35	Plunger Spring
4	Hammer	20	Barrel Bushing	36	Plunger Screws
5	Hammer Pin	21	Slide Stop	37	Grip
6	Hammer Strut	22	Recoil Spring Guide	38	Grip Screws
7	Hammer Strut Pin	23	Plug	39	Extractor
8	Sear	24	Recoil Spring	40	Extractor Spring
9	Sear Pin	25	Firing Pin	41	Extractor Pin
10	Disconnecter	26	Firing Pin Spring	42	Firing Pin Retainer
11	Trigger	27	Rear Sight	43	Firing Pin Safety Disconnecter
12	Grip Safety	28	Magazine Catch	44	Firing Pin Safety Spring
13	Safety Lock	29	Magazine Catch Spring	45	Firing Pin Safety
14	Sear Spring	30	Magazine Catch Lock	46	Catenary
15	Mainspring Housing	31	Magazine	47	Catenary Pin
16	Mainspring Cap	32	Plunger Tube		

Large Frame IX-B



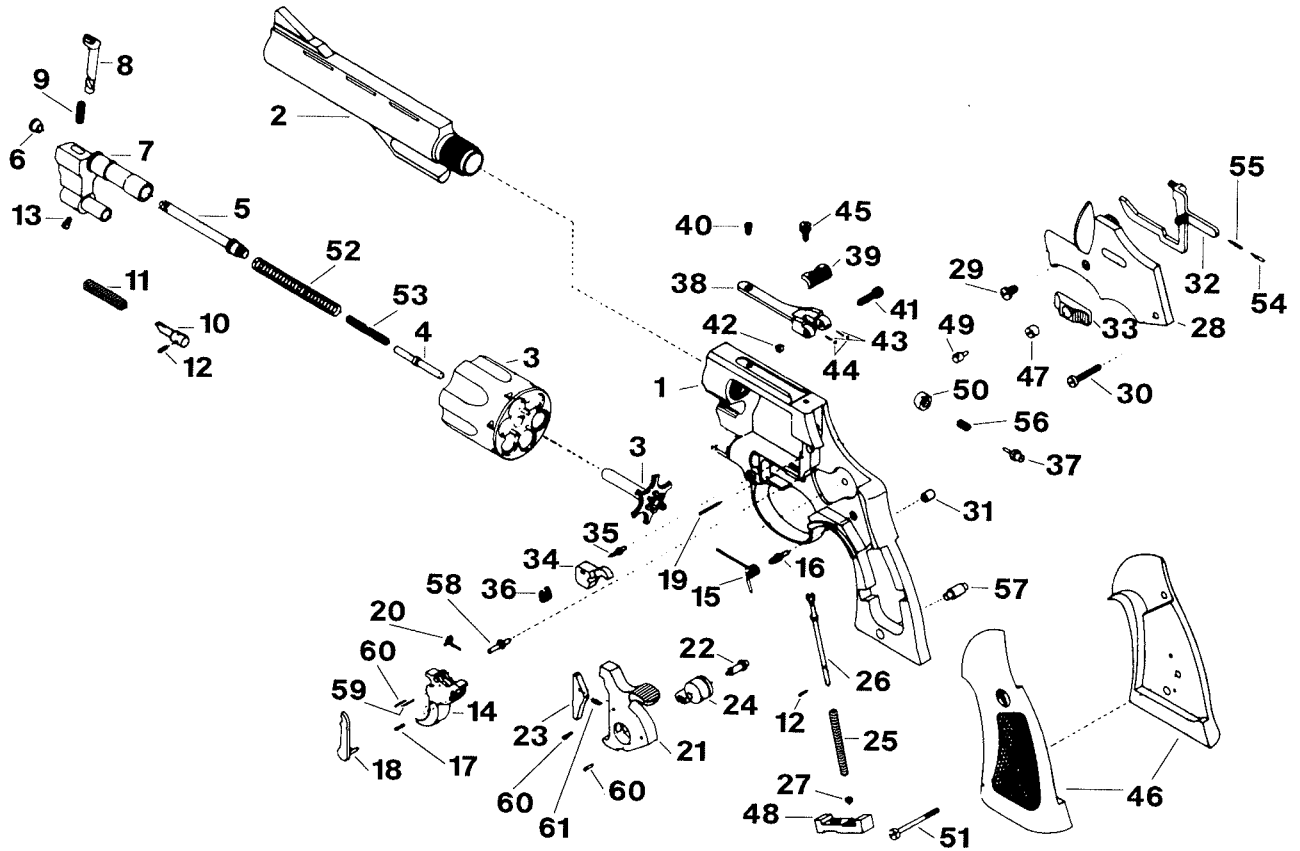
1	Frame	17	Mainspring	33	Magazine Catch Lock
2	Slide	18	Mainspring Housing Pin	34	Magazine
3	Barrel	19	Mainspring Cap Pin	35	Plunger Tube
4	Hammer	20	Barrel Bushing	36	Slide Stop Plunger
5	Hammer Pin	21	Slide Stop	37	Safety Lock Plunger
6	Hammer Strut	22	Recoil Spring Guide	38	Plunger Spring
7	Hammer Strut Pin	23	Plug	39	Plunger Screws
8	Sear	24	Recoil Spring	40	Grip
9	Sear Pin	25	Firing Pin	41	Grip Screws
10	Disconnecter	26	Firing Pin Spring	42	Extractor
11	Trigger	27	Firing Pin Lock	43	Extractor Spring
12	Grip Safety	28	Adjustable Sight	44	Extractor Pin
13	Safety Lock	29	Adjustable Sight Ball	45	Catenary
14	Sear Spring	30	Adjustable Sight Screws	46	Catenary Pin
15	Mainspring Housing	31	Magazine Catch		
16	Mainspring Cap	32	Magazine Catch Spring		

Martial 38 and 22 Revolver



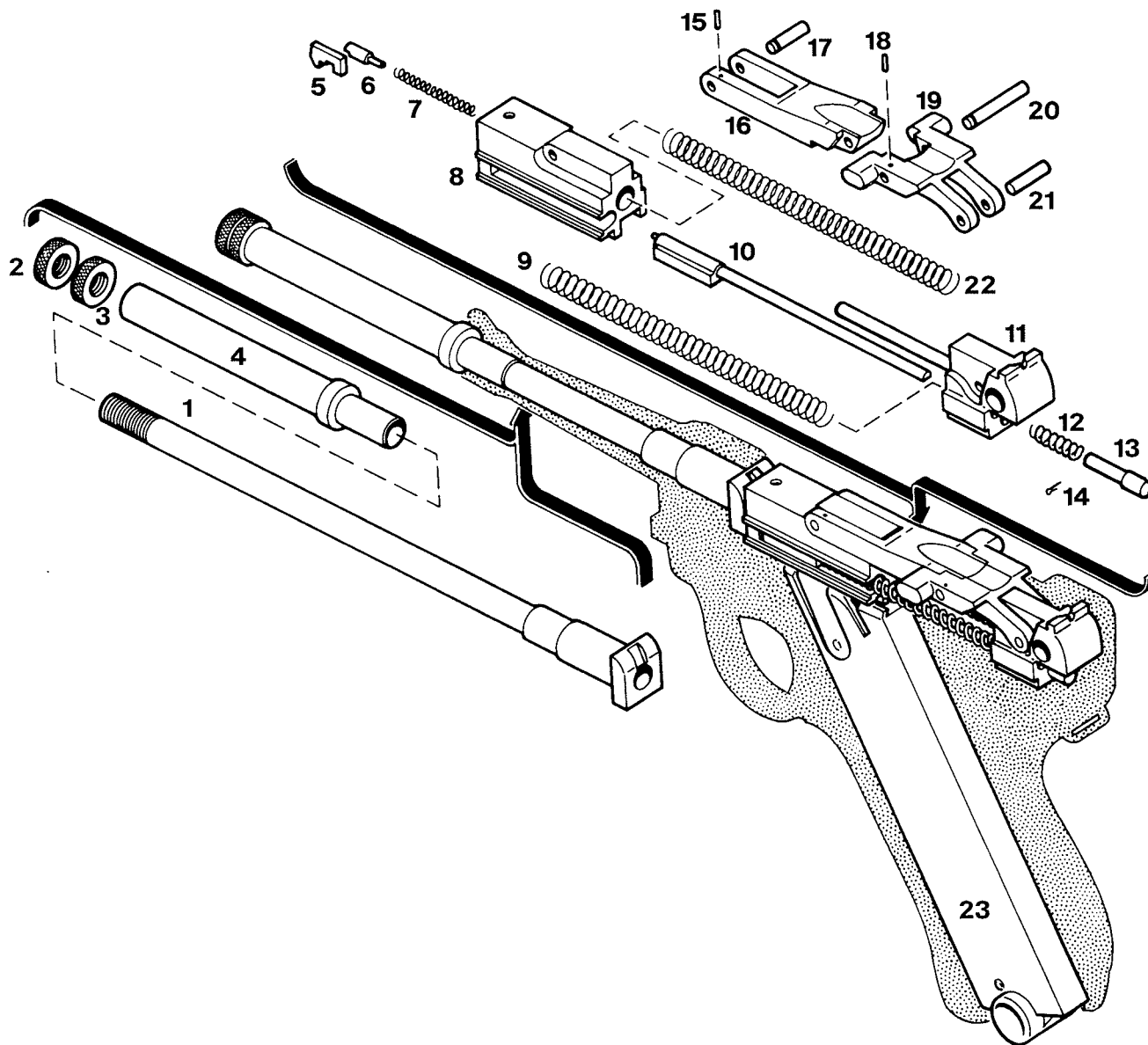
1	Barrel	22	Hand	43	Sideplate Screws
2	Cylinder	23	Hand Lever Spring	44	Yoke Screw
3	Extractor Pins	24	Hand Spring Pins	45	Sideplate Screw
4	Yoke	25	Trigger Lever	46	Grip Panels
5	Extractor Rod	26	Rebound Slide Spring	47	Grip Screw
6	Center Pin	27	Cylinder Stop Plunger	48	Pin Bushing
7	Center Pin Spring	28	Cylinder Stop Spring	49	Firing Pin Nose Spring
8	Extractor Collar	29	Cylinder Stop Screw	50	Firing Pin Nose
9	Extractor Spring	30	Mainspring	51	Steady Pin
10	Hammer	31	Strain Screw	52	Rear Sight Base
11	Trigger	32	Barrel Pin	53	Rear Sight Leaf
12	Rebound Slide	33	Lock Bolt	54	Rear Sight Spring
13	Cylinder Stop	34	Lock Bolt Spring	55	Rear Sight Windage Screw
14	Hammer Stud	35	Lock Bolt Pin	56	Rear Sight Elevation Nut
15	Trigger Stud	36	Bolt	57	Elevation Screw Spring
16	Cylinder Stop Center	37	Bolt Plunger	58	Elevation Screw Detents
17	Sear	38	Bolt Spring	59	Leaf Stud
18	Sear Pins	39	Thumb-Piece	60	Block Pin
19	Stirrup Pin	40	Thumb Screw	61	Frame
20	Sear Spring	41	Frame Lug	62	Hand Pin
21	Stirrup	42	Sideplate	63	Extractor

Super Comanche 44 Magnum Revolver



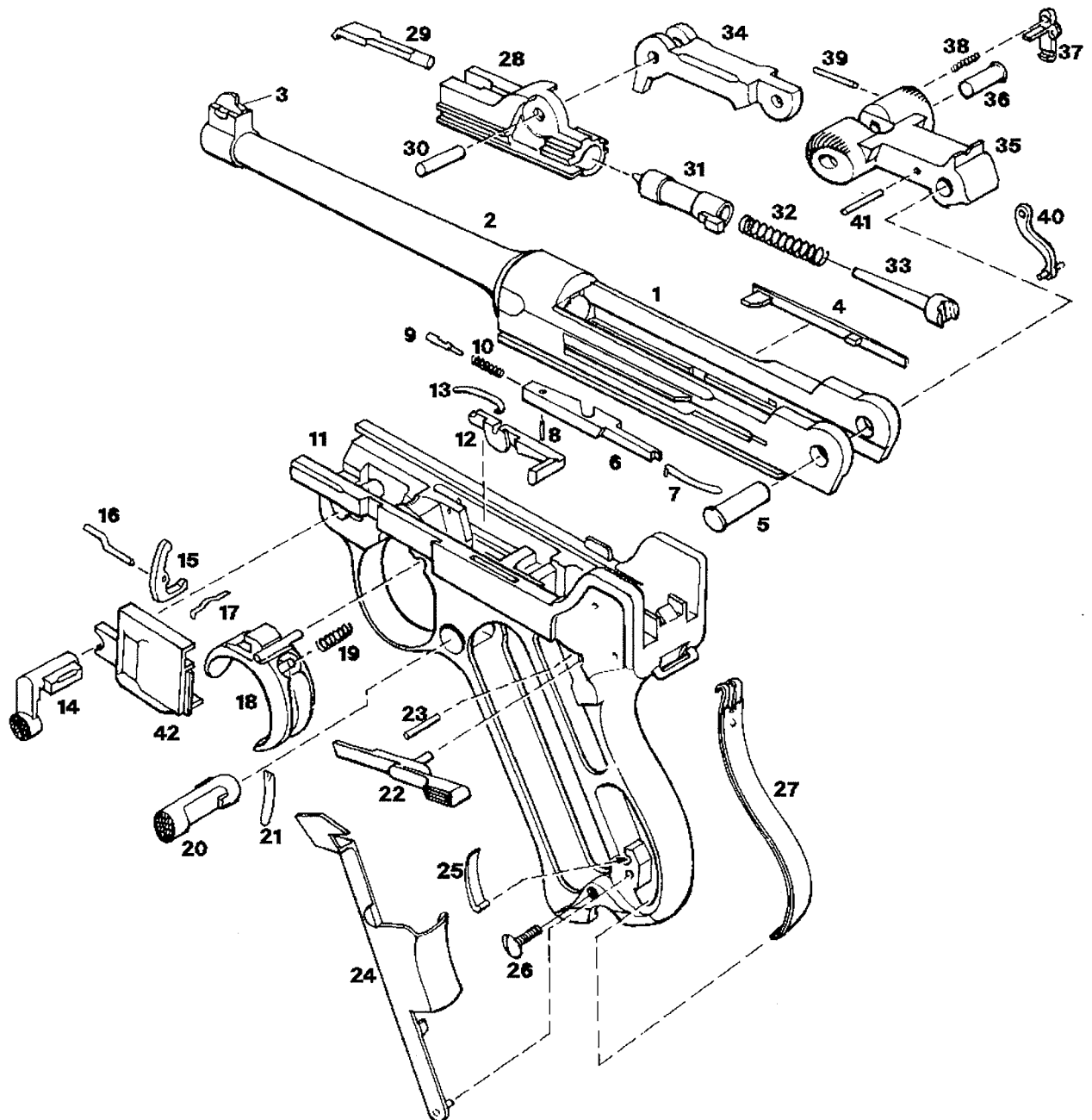
1	Frame	32	Bolt
2	Barrel	33	Thumb-Piece
3	Cylinder and Extractor	34	Cylinder Stop
4	Center Pin	35	Cylinder Stop Center
5	Extractor Rod	36	Cylinder Stop Spring
6	Extractor Rod Collar	37	Firing Nose
7	Yoke (Crane)	38	Rear Sight Leaf
8	Yoke Bolt	39	Rear Sight
9	Bolt Spring	40	Rear Sight Leaf Screw
10	Bolt Disconnecter	41	Rear Sight Windage Screw
11	Disconnecter Spring	42	Rear Sight Screw Nut
12	Disconnecter Spring Pin	43	Elevating Nut Springs
13	Yoke Screw	44	Elevating Nut Balls
14	Trigger	45	Rear Sight Elevation Nut
15	Trigger Spring	46	Stocks
16	Trigger Spring Pin	47	Thumb-Piece Nut
17	Trigger Spring Plunger	48	Pressure Regulator
18	Hand	49	Frame Lug
19	Hand Stop	50	Pin Bushing
20	Hand Spring	51	Stock Screw
21	Hammer	52	Extractor Spring
22	Hammer Stud	53	Center Pin Spring
23	Sear	54	Bolt Plunger
24	Hammer Cam	55	Bolt Plunger Spring
25	Hammer Spring	56	Firing Nose Spring
26	Hammer Strut	57	Stock Guide Pin
27	Hammer Spring Prop	58	Trigger Stud
28	Sideplate	59	Hand Spring Pin
29	Plate Screw	60	Sear Pin and Hammer Strut Pin
30	Grip Screw Guide	61	Sear Spring
31	Grip Screw Guide Nut		

Conversion Unit

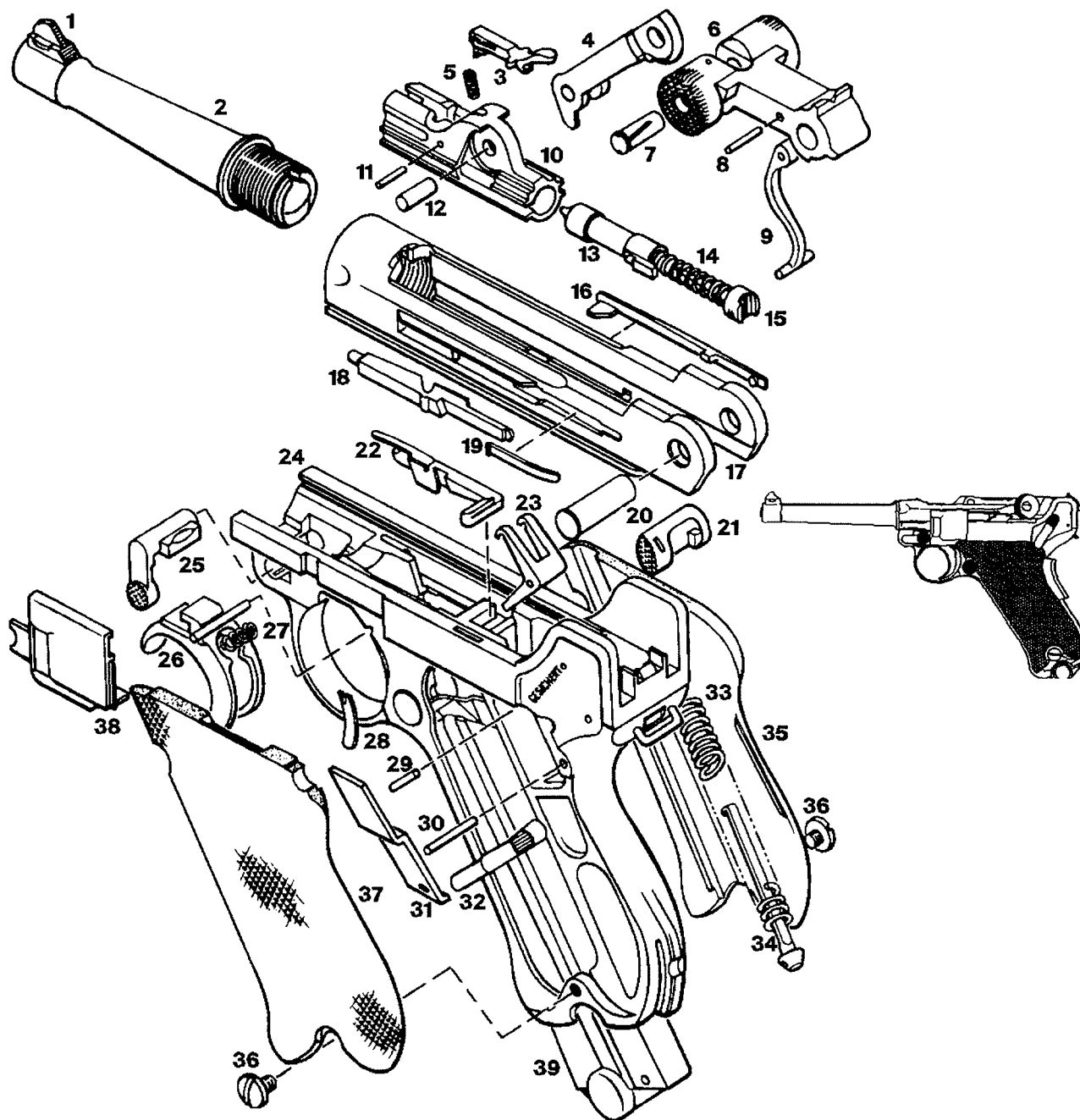


1	Barrel Liner	9	Firing Pin Spring	17	Front Toggle Pin
2	Front Barrel Lock Nut	10	Firing Pin	18	Center Pin Key
3	Rear Barrel Lock Nut	11	Rear Sight Block	19	Rear Toggle Link
4	Barrel Adaptor Sleeve	12	Buffer Spring	20	Center Toggle Pin
5	Extractor	13	Buffer	21	Rear Toggle Pin
6	Extractor Plunger	14	Retaining Clip	22	Recoil Spring
7	Extractor Spring	15	Front Toggle Pin Key	23	Magazine
8	Breechblock	16	Center Toggle Link		

Model 1900-02 Auto

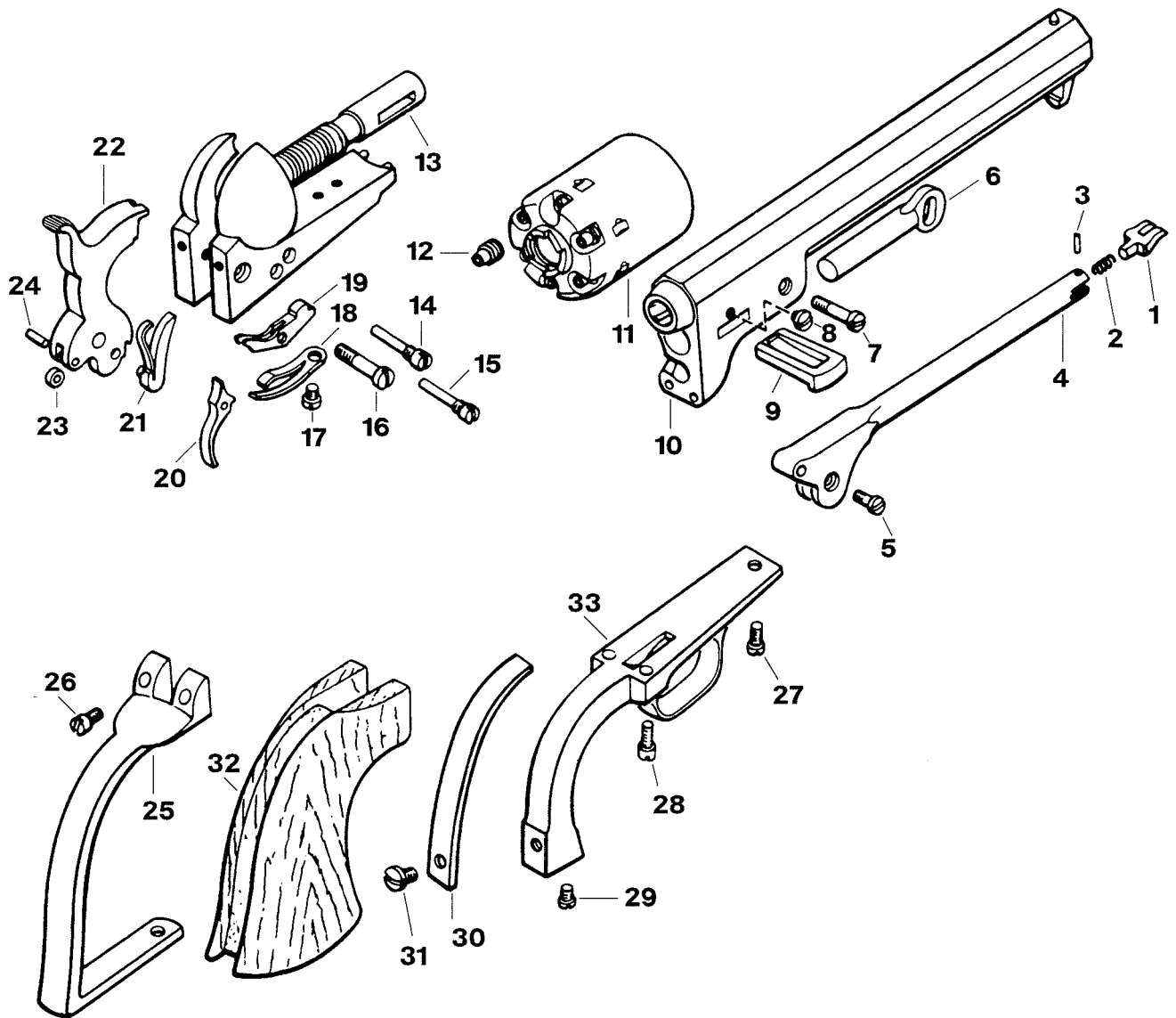


1	Receiver	15	Trigger Lever	29	Extractor
2	Barrel	16	Trigger Lever Pin	30	Breechblock Connecting Pin
3	Front Sight	17	Locking Bolt Spring	31	Firing Pin
4	Ejector	18	Trigger	32	Firing Pin Spring
5	Connecting Pin	19	Trigger Spring	33	Firing Pin Spring Retainer
6	Sear Bar	20	Magazine Catch	34	Forward Toggle Link
7	Sear Bar Spring	21	Magazine Catch Spring	35	Rear Toggle Link
8	Sear Bar Plunger Pin	22	Safety-Lever	36	Forward and Rear Toggle Link Pin
9	Sear Bar Plunger	23	Safety-Lever Pin	37	Toggle Lock
10	Sear Bar Plunger Spring	24	Grip Safety	38	Toggle Lock Spring
11	Frame	25	Grip Safety Spring	39	Toggle Lock Pin
12	Hold-Open Latch	26	Grip Screw	40	Coupling Link
13	Hold-Open Latch Spring	27	Recoil Spring	41	Coupling Link Pin
14	Locking Bolt	28	Breechblock	42	Trigger Plate



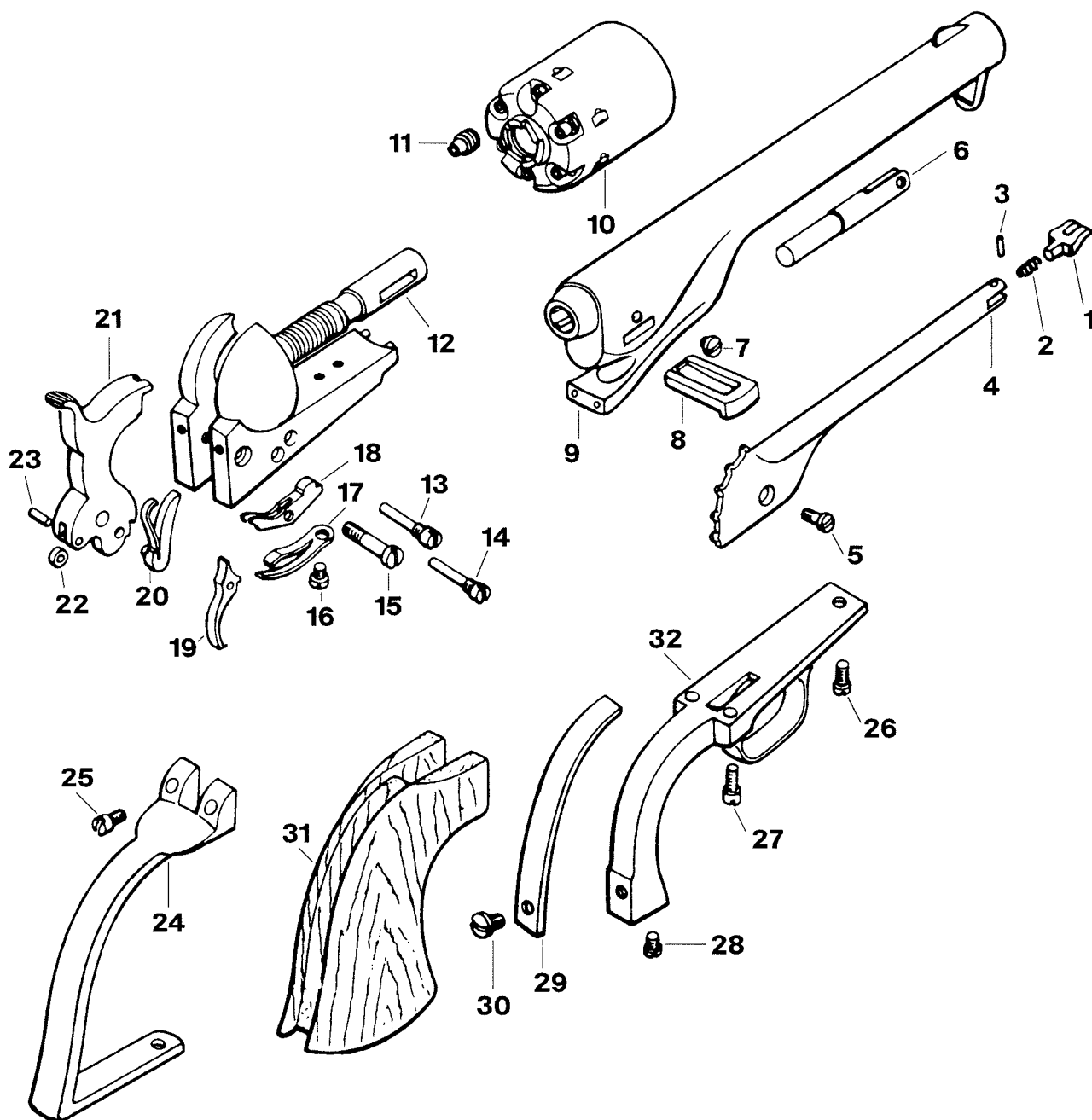
1	Front Sight	14	Firing Pin Spring	27	Trigger Spring
2	Barrel	15	Firing Pin Spring Retainer	28	Magazine Catch Spring
3	Extractor	16	Ejector	29	Safety-Lever Pin
4	Center Toggle Link	17	Barrel Extension (Receiver)	30	Recoil Lever Pin
5	Extractor Spring	18	Sear Bar	31	Safety Bar
6	Rear Toggle Link	19	Sear Bar Spring	32	Safety-Lever
7	Center Toggle Pin	20	Rear Toggle Pin	33	Mainspring
8	Coupling Link Pin	21	Magazine Catch	34	Mainspring Guide
9	Coupling Link	22	Hold-Open Latch with Spring	35	Right Grip Panel
10	Breechblock	23	Recoil Spring Lever	36	Grip Screws
11	Extractor Pin	24	Frame	37	Left Grip Panel
12	Breechblock Pin	25	Locking Bolt	38	Trigger Sideplate
13	Firing Pin	26	Trigger	39	Magazine

1851 Navy Revolver



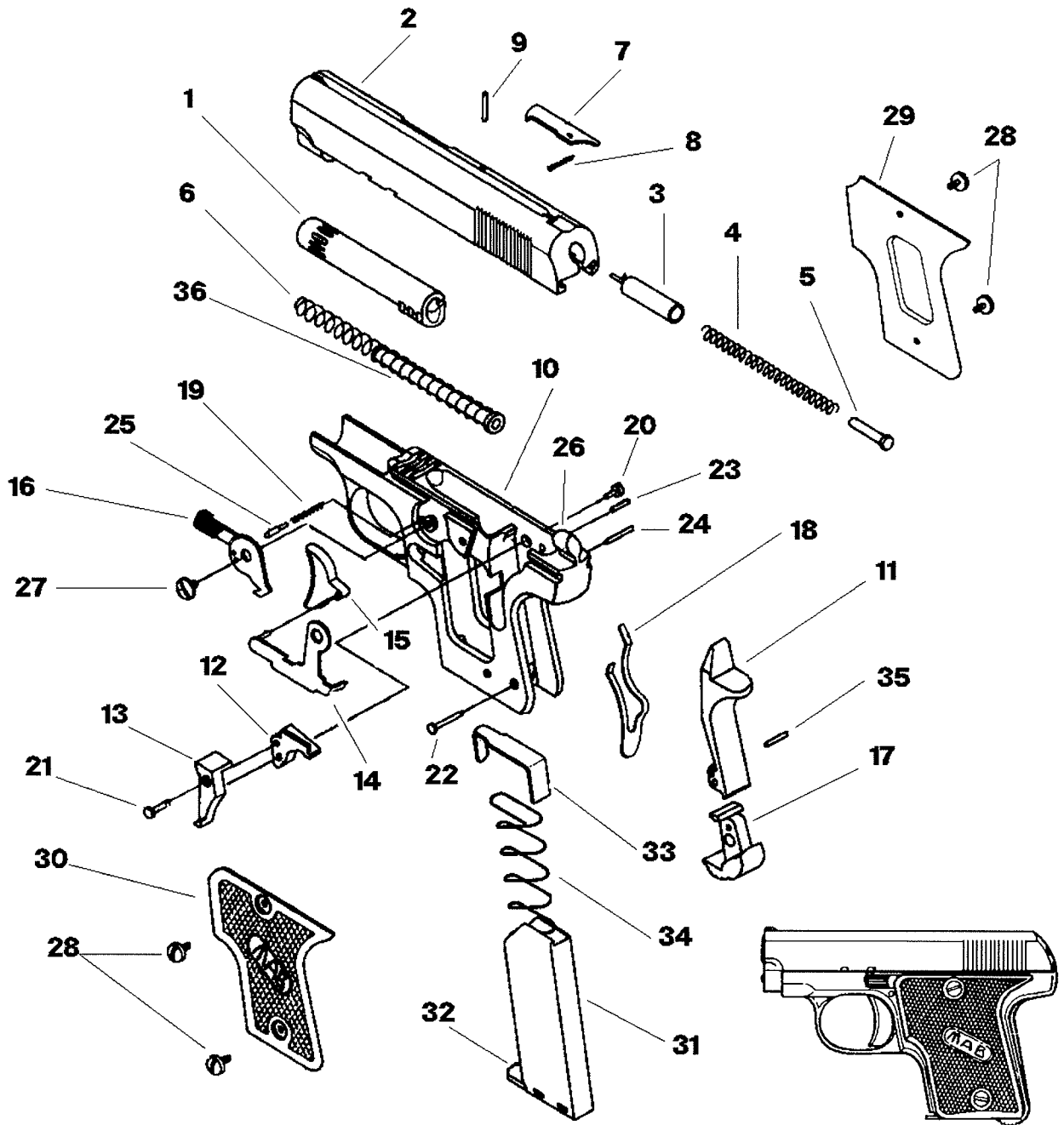
1	Loading Lever Latch	12	Nipple	23	Roller
2	Loading Lever Latch Spring	13	Base Pin	24	Roller Pin
3	Loading Lever Latch Pin	14	Bolt Screw	25	Backstrap
4	Loading Lever	15	Trigger Screw	26	Rear Backstrap Screws
5	Plunger Screw	16	Hammer Screw	27	Front Trigger Guard Screw
6	Barrel	17	Trigger and Bolt Spring Screw	28	Rear Trigger Guard Screws
7	Loading Lever Screw	18	Trigger and Bolt Spring	29	Lower Backstrap Screw
8	Wedge Screw	19	Bolt	30	Mainspring
9	Wedge	20	Trigger	31	Mainspring Screw
10	Frame	21	Hand and Spring	32	Grip
11	Cylinder	22	Hammer	33	Trigger Guard

1860 Army Revolver



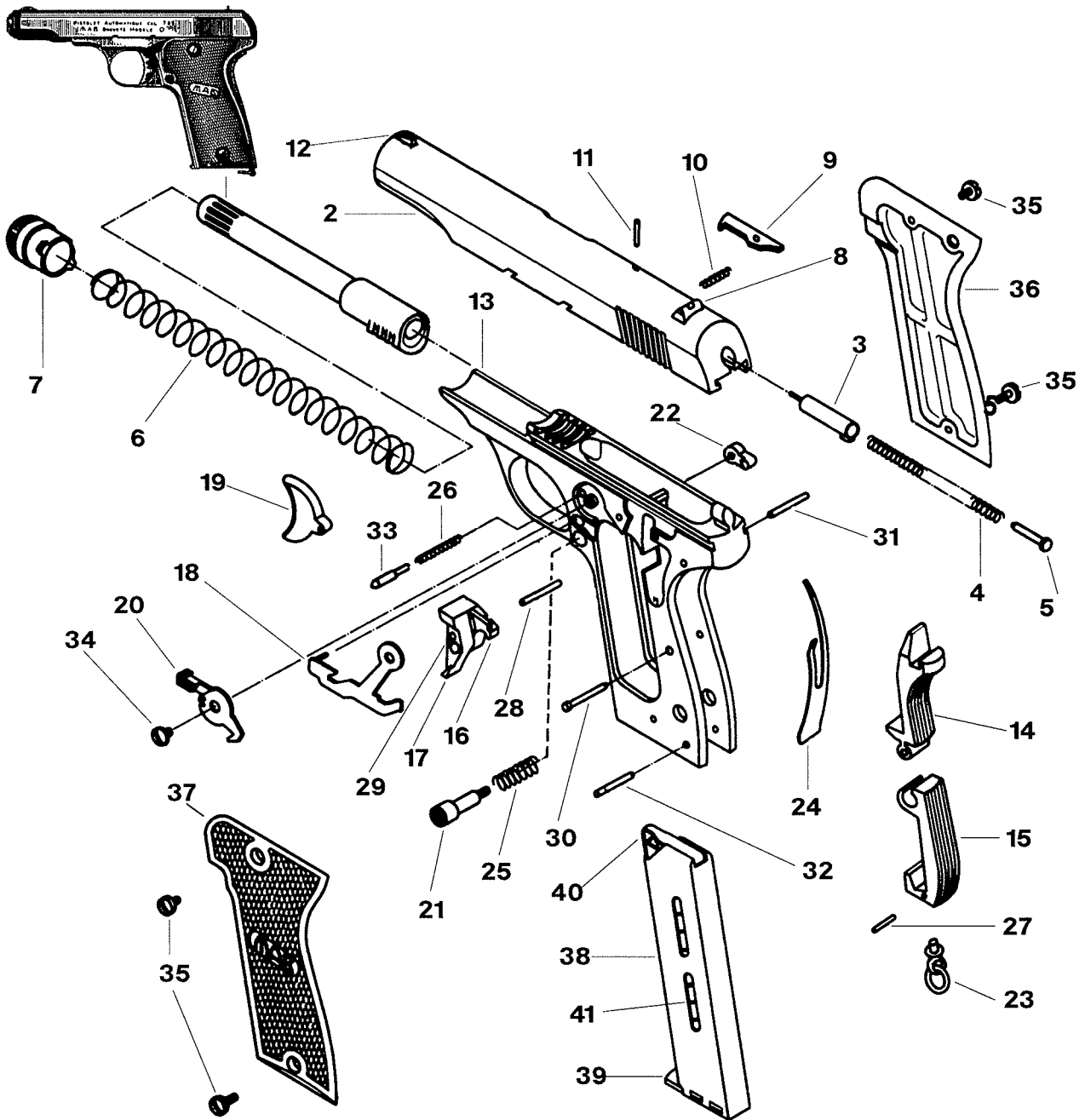
1	Loading Lever Latch	12	Base Pin	23	Roller Pin
2	Loading Lever Latch Spring	13	Bolt Screw	24	Backstrap
3	Loading Lever Latch Pin	14	Trigger Screw	25	Rear Backstrap Screws
4	Loading Lever	15	Hammer Screw	26	Front Trigger Guard Screw
5	Plunger Screw	16	Trigger and Bolt Spring Screw	27	Rear Trigger Guard Screws
6	Plunger	17	Trigger and Bolt Spring	28	Lower Backstrap Screw
7	Wedge Screw	18	Bolt	29	Mainspring
8	Wedge	19	Trigger	30	Mainspring Screw
9	Barrel	20	Hand and Spring	31	Grip
10	Cylinder	21	Hammer	32	Trigger Guard
11	Nipple	22	Roller		

Model A Auto



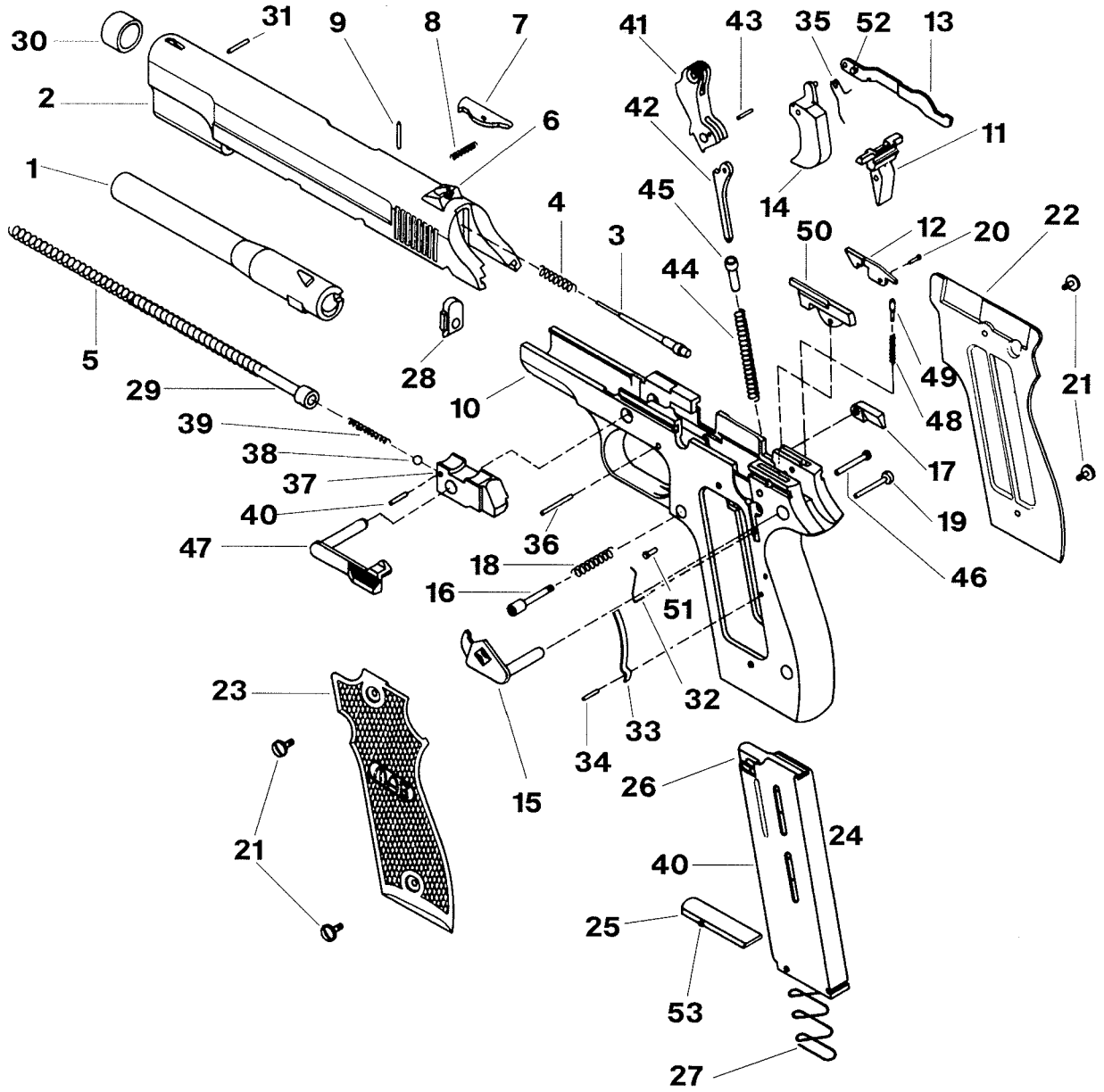
1	Barrel	13	Magazine Safety	25	Thumb Safety Plunger
2	Slide	14	Connector	26	Striker Spring Base
3	Firing Pin	15	Trigger	27	Thumb Safety Screw
4	Firing Pin Spring	16	Safety Catch	28	Grip Screws
5	Firing Pin Spring Guide	17	Magazine Catch	29	Grip, Right
6	Recoil Spring	18	Mainspring	30	Grip, Left
7	Extractor	19	Safety Catch Spring	31	Magazine Body
8	Extractor Spring	20	Sear Pin	32	Magazine Floorplate
9	Extractor Pin	21	Magazine Safety Pin	33	Magazine Follower
10	Frame	22	Grip Safety Axis Pin	34	Magazine Spring
11	Grip Safety	23	Grip Safety Stud	35	Magazine Catch Pin
12	Sear	24	Striker Spring Base Pin	36	Recoil Spring Guide

Model D Auto



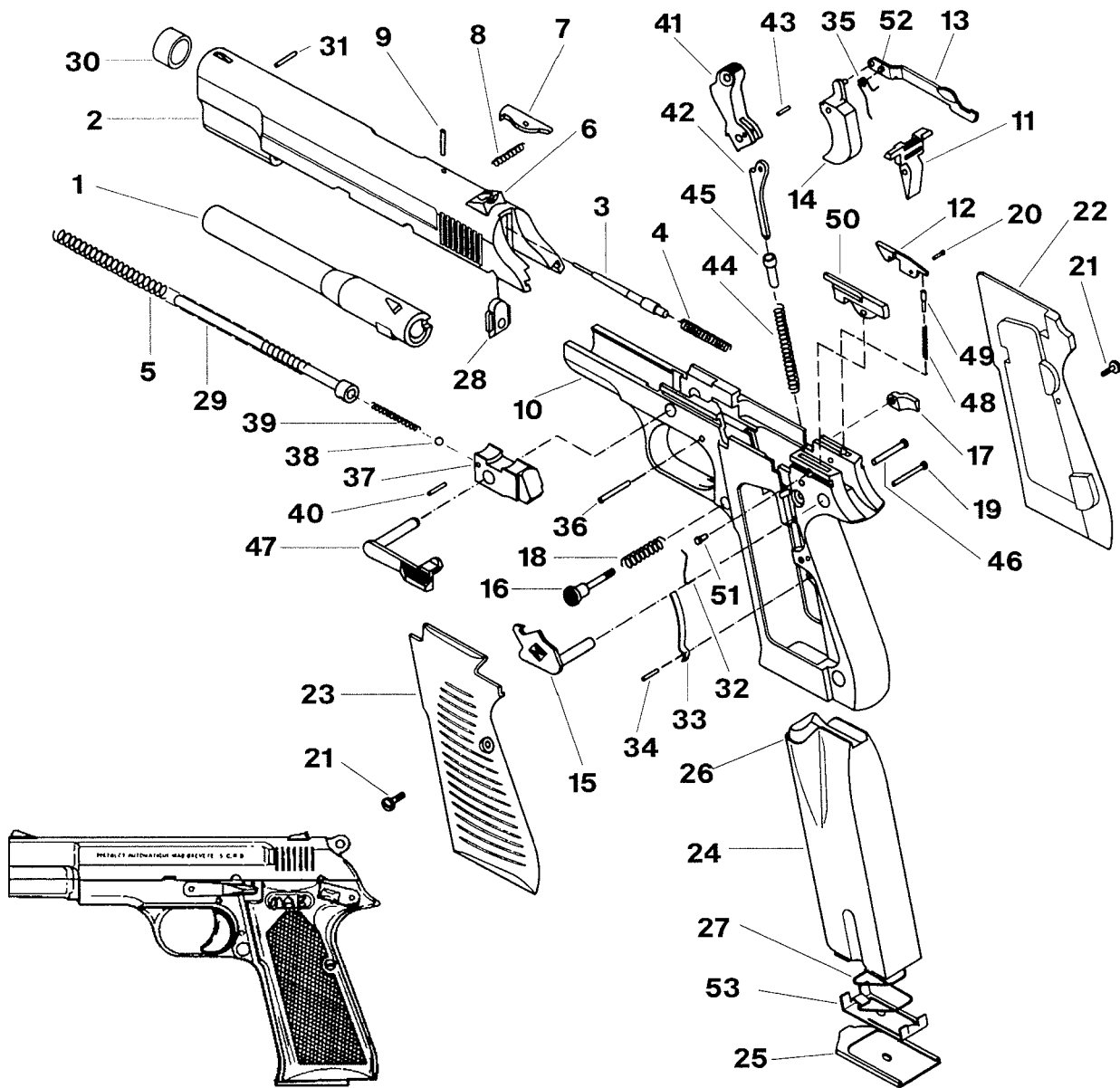
1	Barrel	15	Lower Backstrap Insert	29	Magazine Safety Pin
2	Slide	16	Sear	30	Takedown Pin
3	Firing Pin	17	Magazine Safety	31	Grip Safety Stud
4	Firing Pin Spring	18	Connector	32	Grip Safety Axis Pin
5	Firing Pin Spring Guide	19	Trigger	33	Safety Plunger
6	Recoil Spring	20	Safety Catch	34	Safety Screw
7	Muzzle Bushing	21	Magazine Release Button	35	Grip Screws
8	Rear Sight	22	Magazine Release Catch	36	Grip, Right
9	Extractor	23	Lanyard Loop	37	Grip, Left
10	Extractor Spring	24	Mainspring	38	Magazine Body
11	Extractor Pin	25	Magazine Catch Spring	39	Magazine Floorplate
12	Front Sight	26	Safety Spring	40	Magazine Follower
13	Frame	27	Lanyard Loop Pin	41	Magazine Spring
14	Grip Safety	28	Sear Pin		

Model P8 Auto



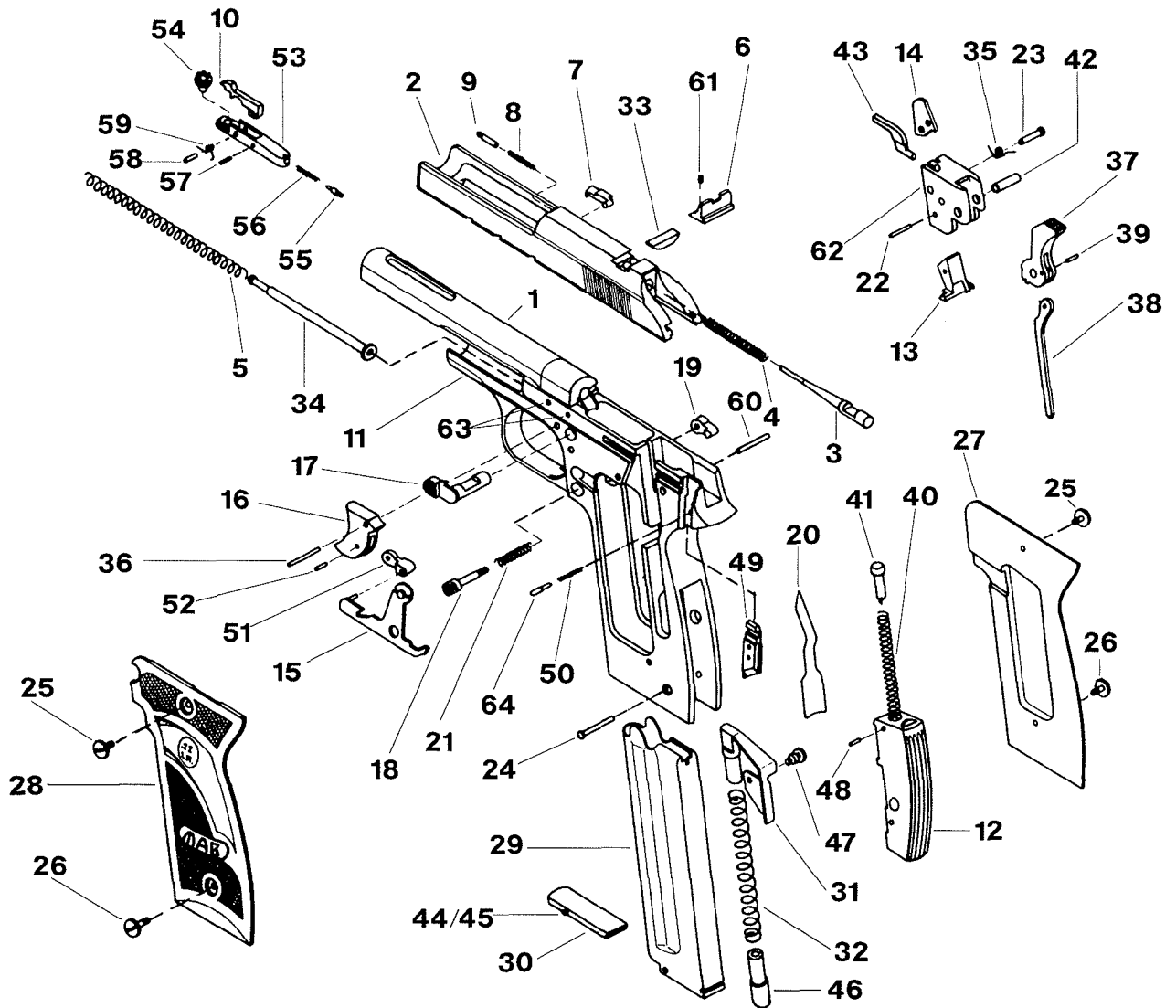
1	Barrel	19	Sear Pin	37	Barrel Block
2	Slide	20	Magazine Safety Pin	38	Slide Latch Spring Ball
3	Firing Pin	21	Grip Screws	39	Slide Latch Spring
4	Firing Pin Spring	22	Grip, Right	40	Recoil Spring Guide Pin
5	Recoil Spring	23	Grip, Left	41	Hammer
6	Rear Sight	24	Magazine Body	42	Hammer Strut
7	Extractor	25	Magazine Floorplate	43	Hammer Strut Pin
8	Extractor Spring	26	Magazine Follower	44	Hammer Spring
9	Extractor Pin	27	Magazine Spring	45	Hammer Spring Plunger
10	Frame	28	Firing Pin Retainer	46	Hammer Pivot
11	Sear	29	Recoil Spring Guide	47	Slide Lock Lever
12	Magazine Safety	30	Slide Ring	48	Magazine Safety Spring
13	Trigger Connector	31	Slide Ring Retainer Pin	49	Magazine Safety Spring Plunger
14	Trigger	32	Safety Catch Spring	50	Ejector
15	Safety-Lever	33	Sear Spring	51	Ejector Pin
16	Magazine Catch Button	34	Sear Spring Pin	52	Trigger Spring Stud
17	Magazine Catch	35	Trigger Spring	53	Magazine Floorplate Pin
18	Magazine Catch Spring	36	Trigger Pin		

Model P15 Auto

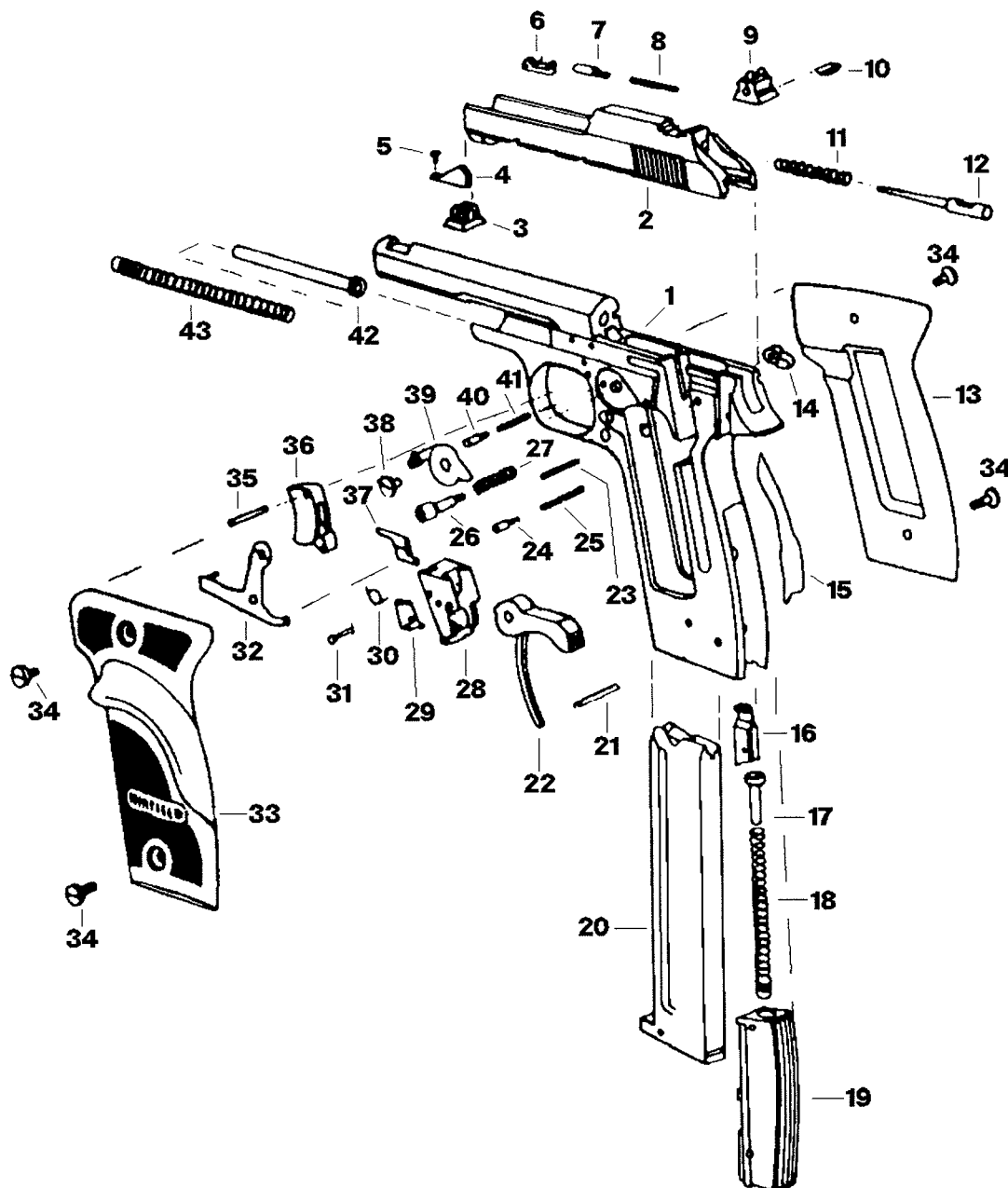


1	Barrel	19	Sear Pin	37	Barrel Block
2	Slide	20	Magazine Safety Pin	38	Slide Latch Spring Ball
3	Firing Pin	21	Grip Screws	39	Slide Latch Spring
4	Firing Pin Spring	22	Grip, Right	40	Recoil Spring Guide Pin
5	Recoil Spring	23	Grip, Left	41	Hammer
6	Rear Sight	24	Magazine Body	42	Hammer Strut
7	Extractor	25	Magazine Floorplate	43	Hammer Strut Pin
8	Extractor Spring	26	Magazine Follower	44	Hammer Spring
9	Extractor Pin	27	Magazine Spring	45	Hammer Spring Plunger
10	Frame	28	Firing Pin Retainer	46	Hammer Pivot
11	Sear	29	Recoil Spring Guide	47	Slide Lock Lever
12	Magazine Safety	30	Slide Ring	48	Magazine Safety Spring
13	Trigger Connector	31	Slide Ring Retainer	49	Magazine Safety Spring Plunger
14	Trigger	32	Safety Catch Spring	50	Ejector
15	Safety-Lever	33	Sear Spring	51	Ejector Pin
16	Magazine Catch Button	34	Sear Spring Pin	52	Trigger Connector Spring Stud
17	Magazine Catch Retainer	35	Trigger Spring	53	Magazine Floorplate Retainer
18	Magazine Catch Spring	36	Trigger Pin		

Model R22 Auto



1	Barrel	23	Magazine Safety Pin	45	Magazine Floorplate Plunger Spring
2	Slide	24	Hammer Spring Housing Pin	46	Magazine Spring Guide
3	Firing Pin	25	Grip Screws, Short	47	Magazine Follower Stud
4	Firing Pin Spring	26	Grip Screws, Long	48	Hammer Spring Housing Pin
5	Recoil Spring	27	Grip, Right	49	Slide Retainer
6	Rear Sight	28	Grip, Left	50	Slide Retainer Plunger Spring
7	Extractor	29	Magazine Body	51	Trigger Link
8	Extractor Spring	30	Magazine Floorplate	52	Trigger Link Pin
9	Extractor Spring Plunger	31	Magazine Follower	53	Front Sight Base
10	Front Sight	32	Magazine Spring	54	Front Sight Adjusting Screw
11	Frame	33	Firing Pin Retainer	55	Front Sight Base Plunger
12	Hammer Spring Housing	34	Recoil Spring Guide	56	Front Sight Base Plunger Spring
13	Sear	35	Sear Spring	57	Front Sight Pin
14	Magazine Safety	36	Trigger Pivot Pin	58	Front Sight Spring Pin
15	Trigger Bar	37	Hammer	59	Front Sight Spring
16	Trigger	38	Hammer Strut	60	Hammer Block Pin
17	Thumb Safety	39	Hammer Strut Pin	61	Rear Sight Screw
18	Magazine Button	40	Hammer Spring	62	Hammer Block
19	Magazine Catch Retainer	41	Hammer Spring Plunger	63	Barrel Pins
20	Mainspring	42	Hammer Pin	64	Slide Retainer Plunger
21	Magazine Catch Spring	43	Ejector		
22	Sear Pivot Pin	44	Magazine Floorplate Plunger		

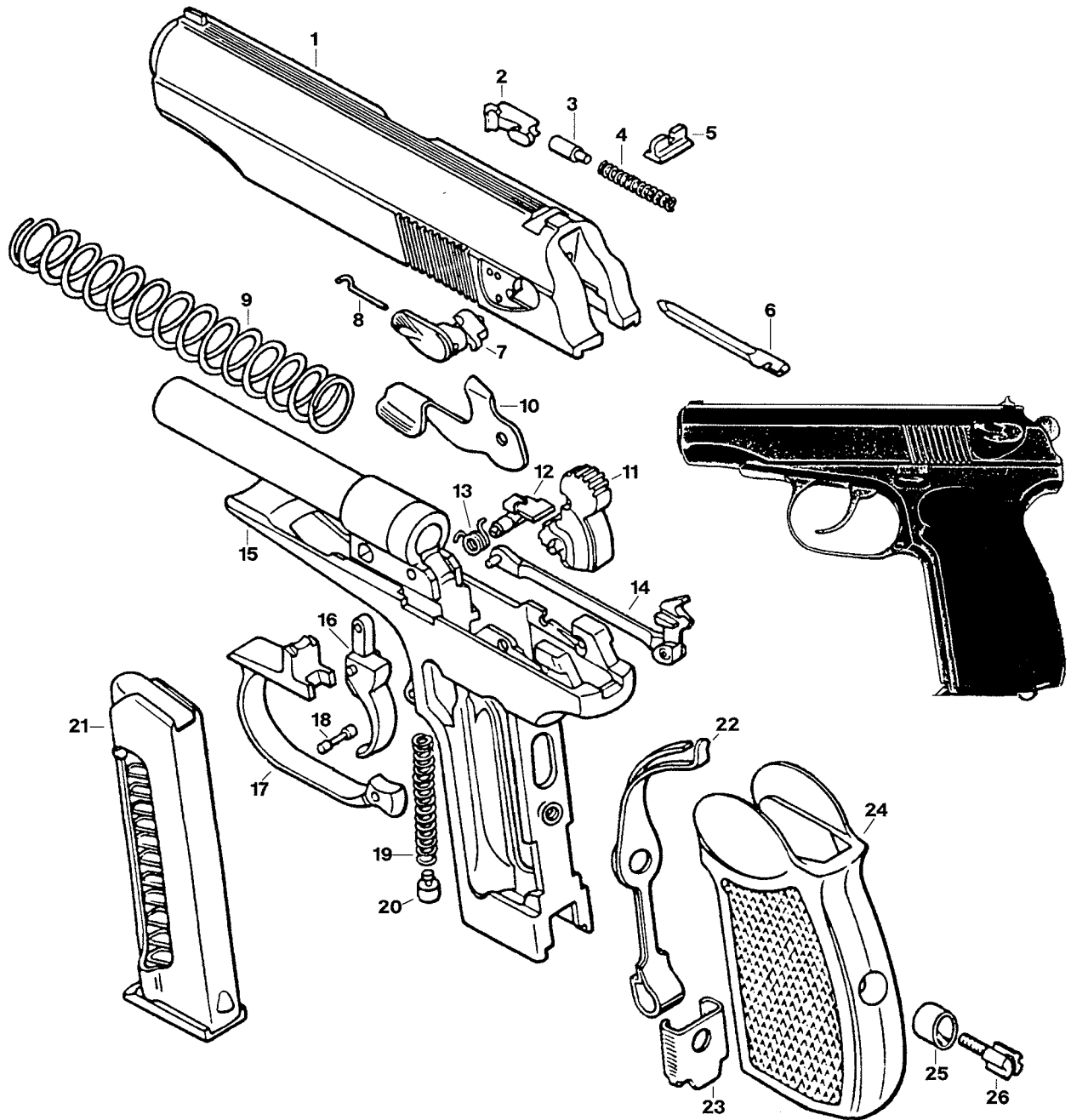


- | | | | | | |
|----|--------------------------|----|-----------------------------|------------------------|----------------------------|
| 1 | Frame | 17 | Hammer Spring Plunger | 32 | Trigger Bar and Disconnect |
| 2 | Slide | 18 | Hammer Spring | 33 | Left Grip |
| 3 | Front Sight Base | 19 | Hammer Spring Housing | 34 | Grip Screws |
| 4 | Front Sight Blade | 20 | Magazine Assembly | 35 | Trigger Axis Pin |
| 5 | Front Sight Blade Screw | 21 | Trigger/Sear Spring Pin | 36 | Trigger |
| 6 | Extractor | 22 | Hammer with Strut and Pin | 37 | Ejector |
| 7 | Extractor Spring Plunger | 23 | Sear Housing Pin | 38 | Safety-Lever Screw |
| 8 | Extractor Spring | 24 | Magazine Catch Lock Plunger | 39 | Safety-Lever |
| 9 | Rear Sight | 25 | Magazine Catch | 40 | Safety Spring Plunger |
| 10 | Firing Pin Retainer | | Lock<R>Plunger Spring | 41 | Safety Spring |
| 11 | Firing Pin Spring | 26 | Magazine Catch Button | 42 | Recoil Spring Guide |
| 12 | Firing Pin | 27 | Magazine Catch Spring | 43 | Recoil Spring |
| 13 | Right Grip | 28 | Hammer Block | | |
| 14 | Magazine Catch | 29 | Magazine Safety | Parts Not Shown | |
| 15 | Trigger/Sear Spring | 30 | Magazine Safety Spring | | Sear |
| 16 | Takedown Latch | 31 | Magazine Safety Pin | | Sear Housing |

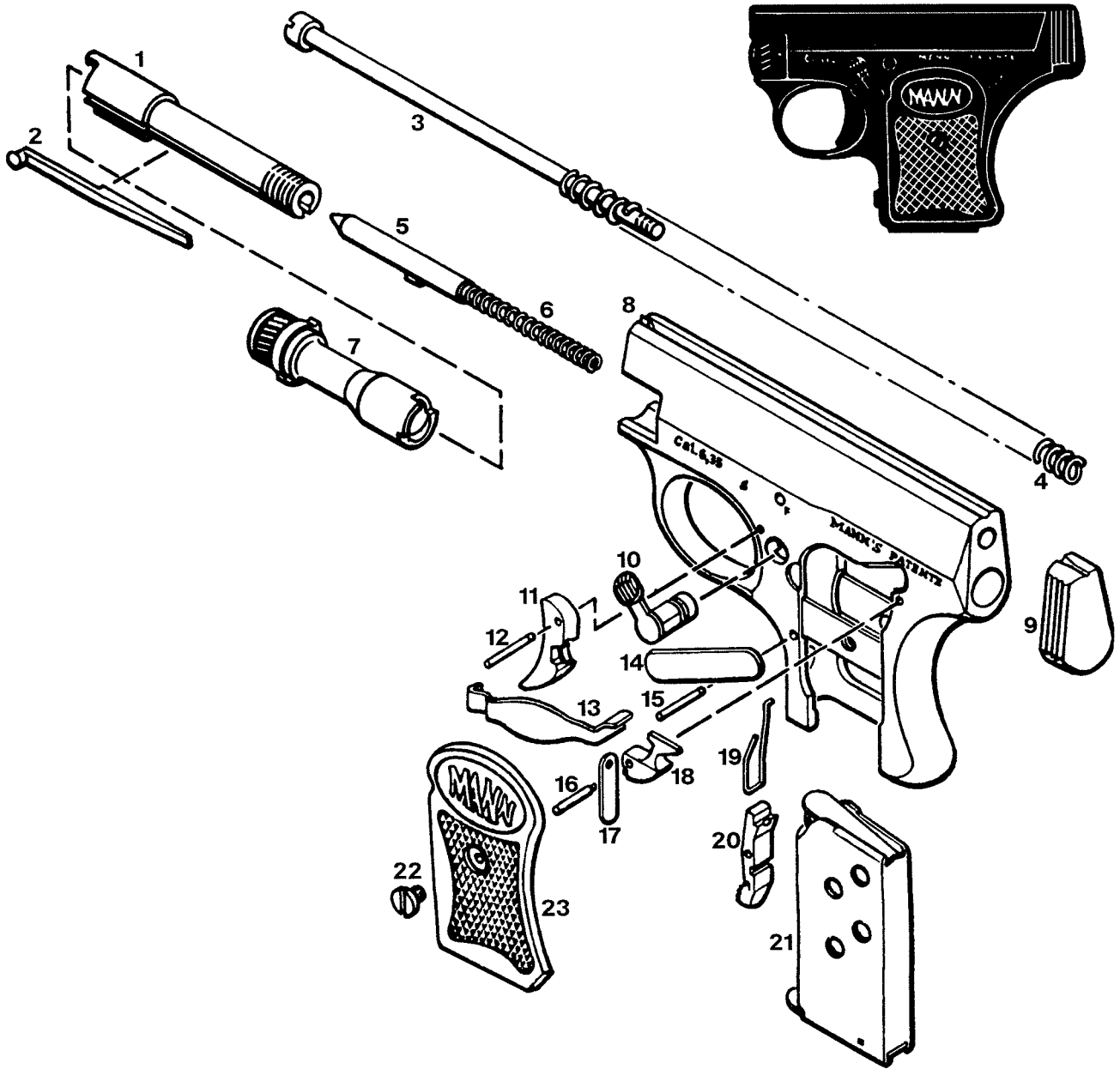
MAKAROV

9mm Auto

Courtesy of Blacksmith Corporation

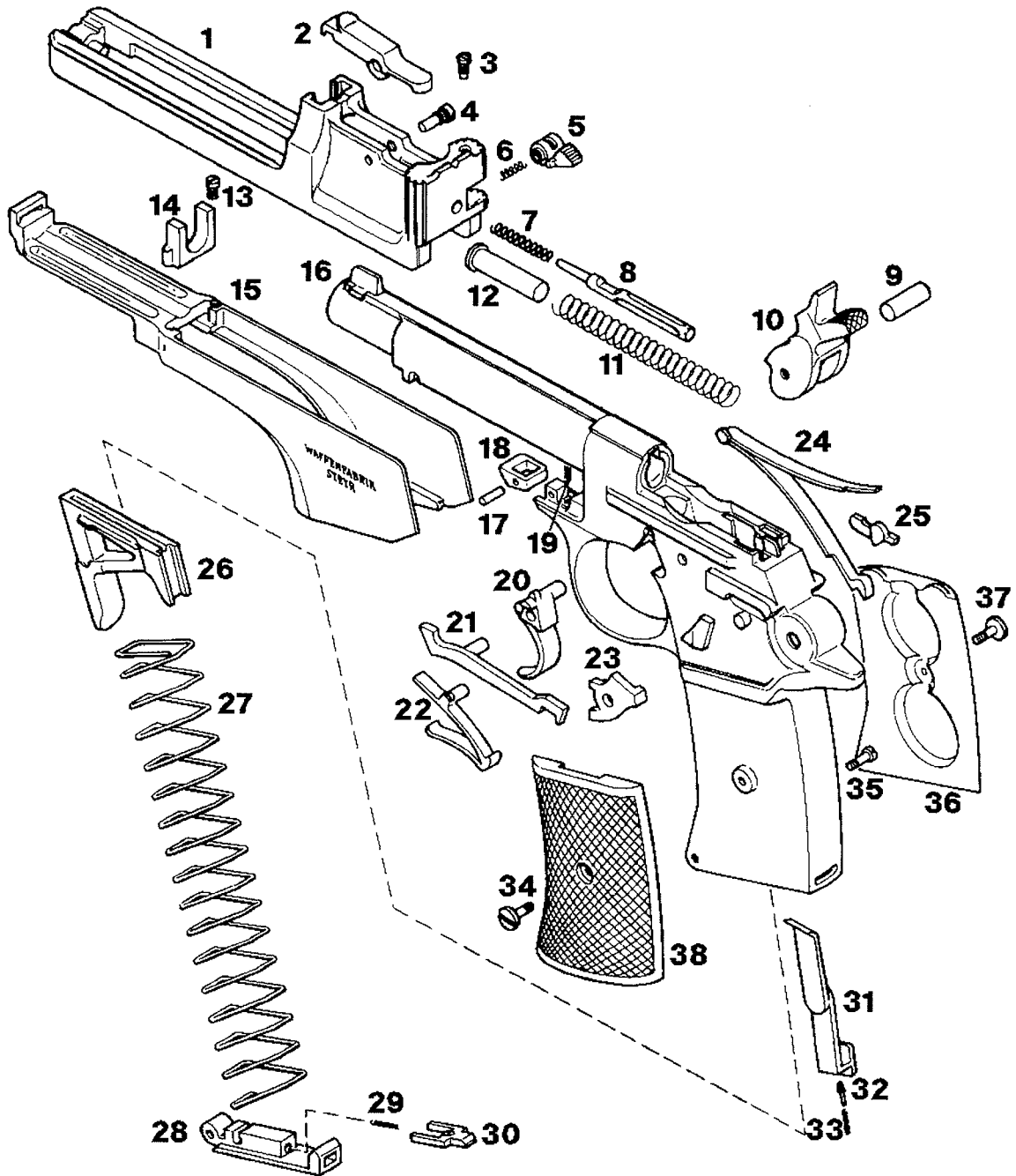


- | | | | | | |
|---|----------------------|----|----------------------------|----|---------------------------|
| 1 | Slide | 10 | Ejector and Slide Stop | 19 | Trigger Guard Spring |
| 2 | Extractor | 11 | Hammer | 20 | Spring Plunger |
| 3 | Extractor Plunger | 12 | Sear | 21 | Magazine Assembly |
| 4 | Extractor Spring | 13 | Sear and Slide Stop Spring | 22 | Hammer and Trigger Spring |
| 5 | Rear Sight | 14 | Trigger Bar Assembly | 23 | Spring Retainer |
| 6 | Firing Pin | 15 | Frame and Barrel Assembly | 24 | Grip |
| 7 | Safety | 16 | Trigger | 25 | Grip Screw Detent Bushing |
| 8 | Safety Detent Spring | 17 | Trigger Guard | 26 | Grip Screw |
| 9 | Recoil Spring | 18 | Trigger Guard Pin | | |



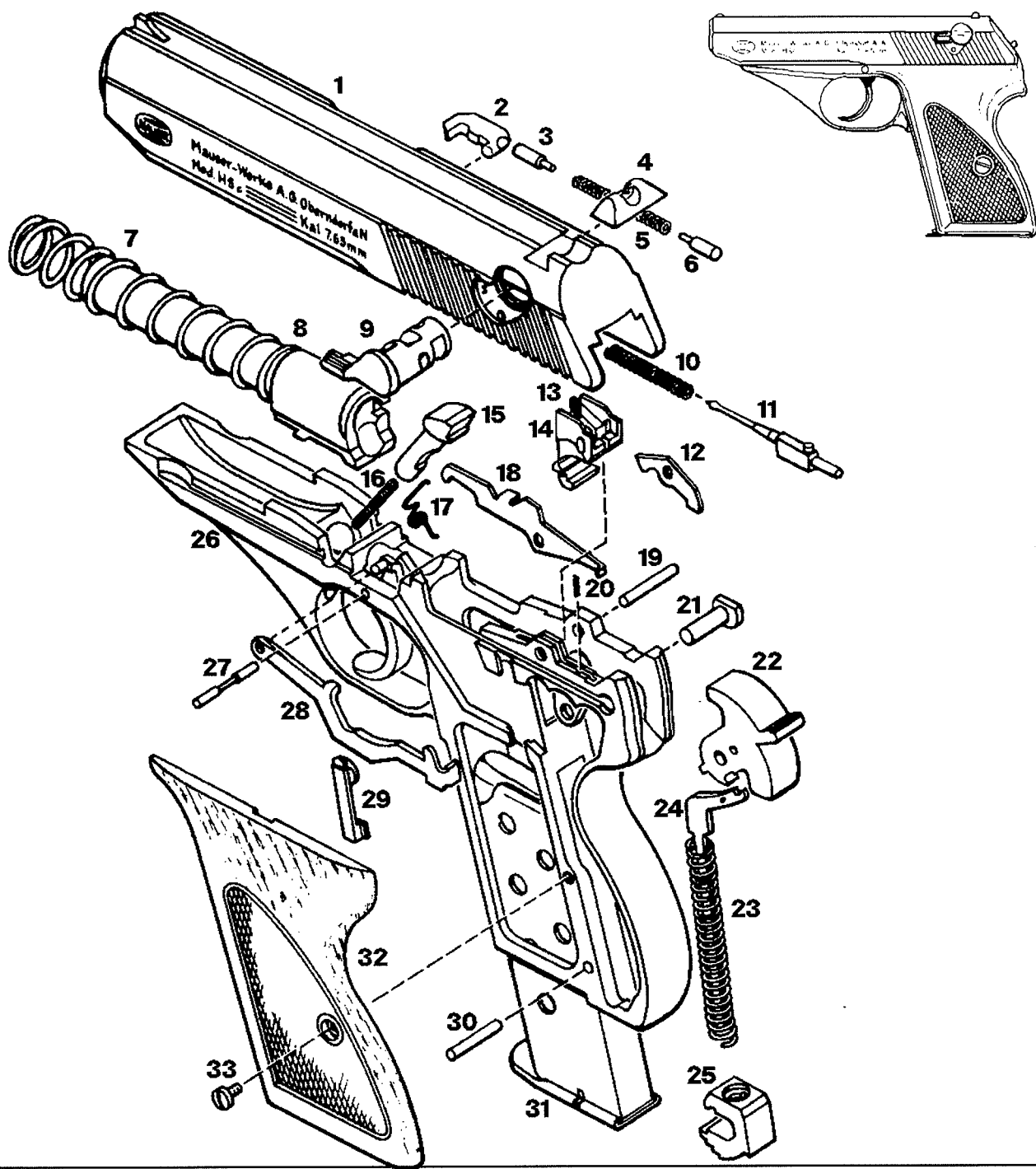
1	Breechblock	13	Trigger Bar
2	Ejector	14	Sideplate
3	Recoil Spring Guide	15	Magazine Catch Pivot
4	Recoil Spring	16	Sear Pin
5	Firing Pin	17	Sear Spring
6	Firing Pin Spring	18	Sear
7	Barrel	19	Magazine Catch Spring
8	Frame	20	Magazine Catch
9	Bolt Knob	21	Magazine Assembly
10	Safety-Lever	22	Grip Screws
11	Trigger	23	Grip Panels
12	Trigger Pin		

Model 1901 Auto



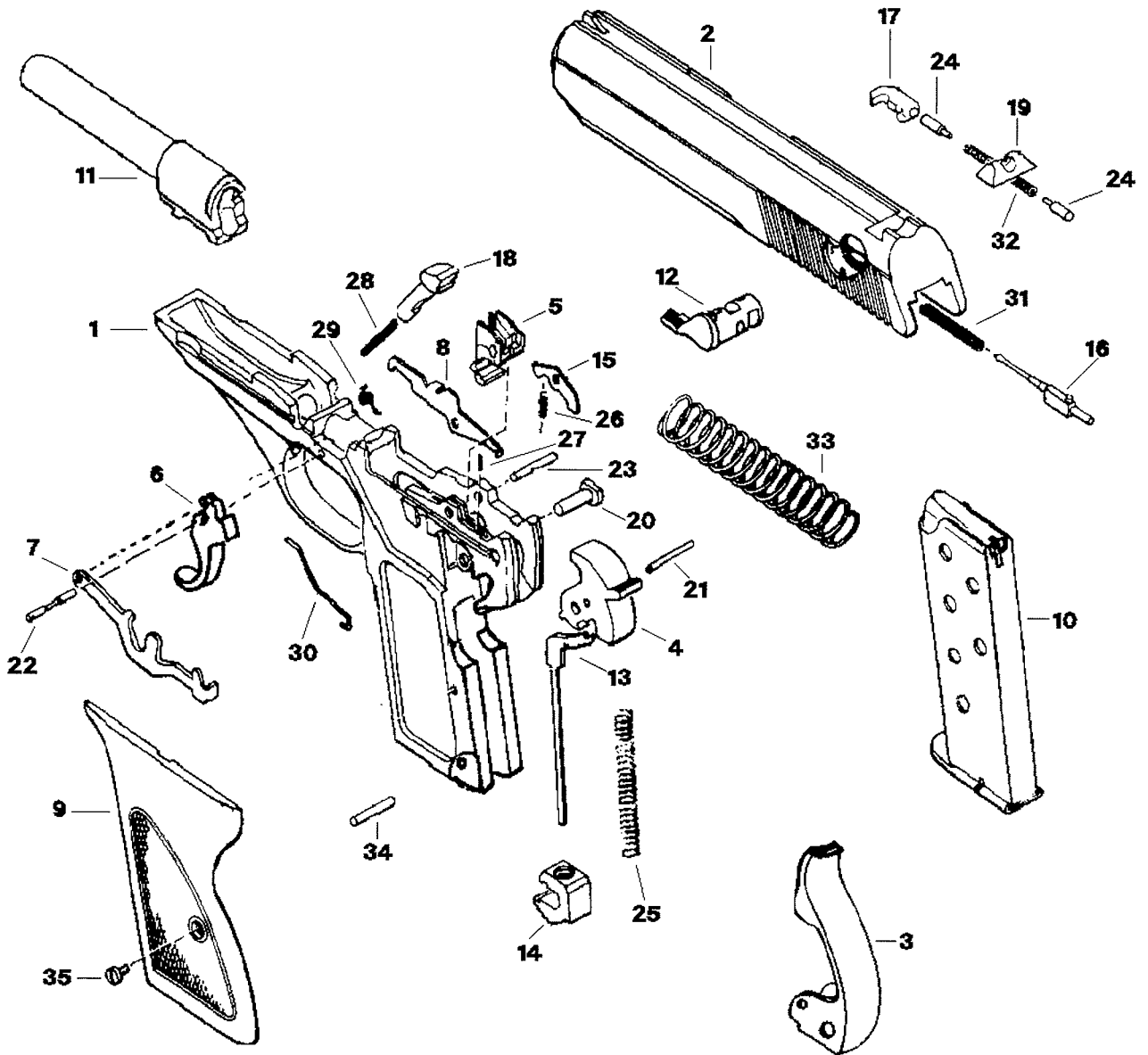
1	Slide	14	Yoke	27	Magazine Spring
2	Extractor	15	Frame Sleeve	28	Magazine Floorplate
3	Safety Catch Screw	16	Barrel and Frame	29	Floorplate Latch Spring
4	Extractor Pivot Screw	17	Takedown Latch Pin	30	Floorplate Latch
5	Safety	18	Takedown Latch	31	Magazine Unloading Latch
6	Safety Spring	19	Takedown Latch Spring	32	Magazine Unloading Latch Plunger
7	Firing Pin Spring	20	Trigger	33	Magazine Unloading Latch Spring
8	Firing Pin	21	Trigger Bar	34	Left Grip Screw
9	Hammer Axis Pin	22	Trigger/Sear Spring	35	Floorplate Pivot Screw
10	Hammer	23	Sear	36	Right Grip
11	Recoil Spring	24	Mainspring	37	Right Grip Screw
12	Recoil Spring Guide	25	Locking Block	38	Left Grip
13	Yoke Retaining Screw	26	Magazine Follower		

Model HSc Auto



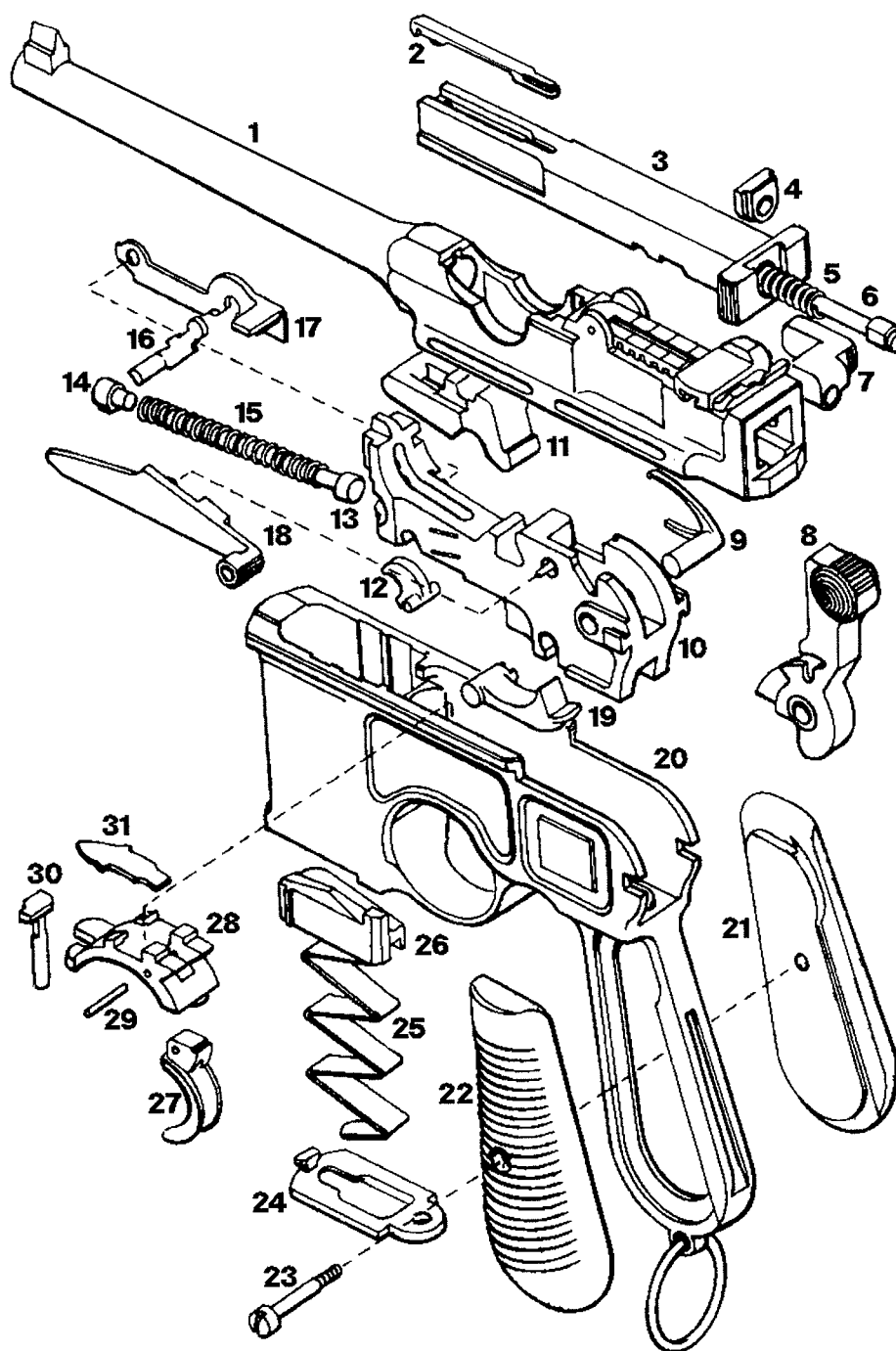
1	Slide	12	Cartridge Feed Cam	23	Hammer Spring
2	Extractor	13	Sear Spring	24	Hammer Strut
3	Extractor Plunger	14	Sear	25	Magazine Catch
4	Rear Sight	15	Takedown Latch	26	Frame
5	Extractor Spring	16	Takedown Latch Spring	27	Trigger Pin
6	Safety Detent Plunger	17	Trigger Spring	28	Trigger Bar
7	Recoil Spring	18	Magazine Safety	29	Disconnecter
8	Barrel	19	Sear Hinge Pin	30	Magazine Catch Pin
9	Safety	20	Magazine Safety Spring	31	Magazine Assembly
10	Firing Pin Spring	21	Hammer Axis Pin	32	Grip Panels
11	Firing Pin	22	Hammer	33	Grip Screws

Model HSc (Post-1945) Auto



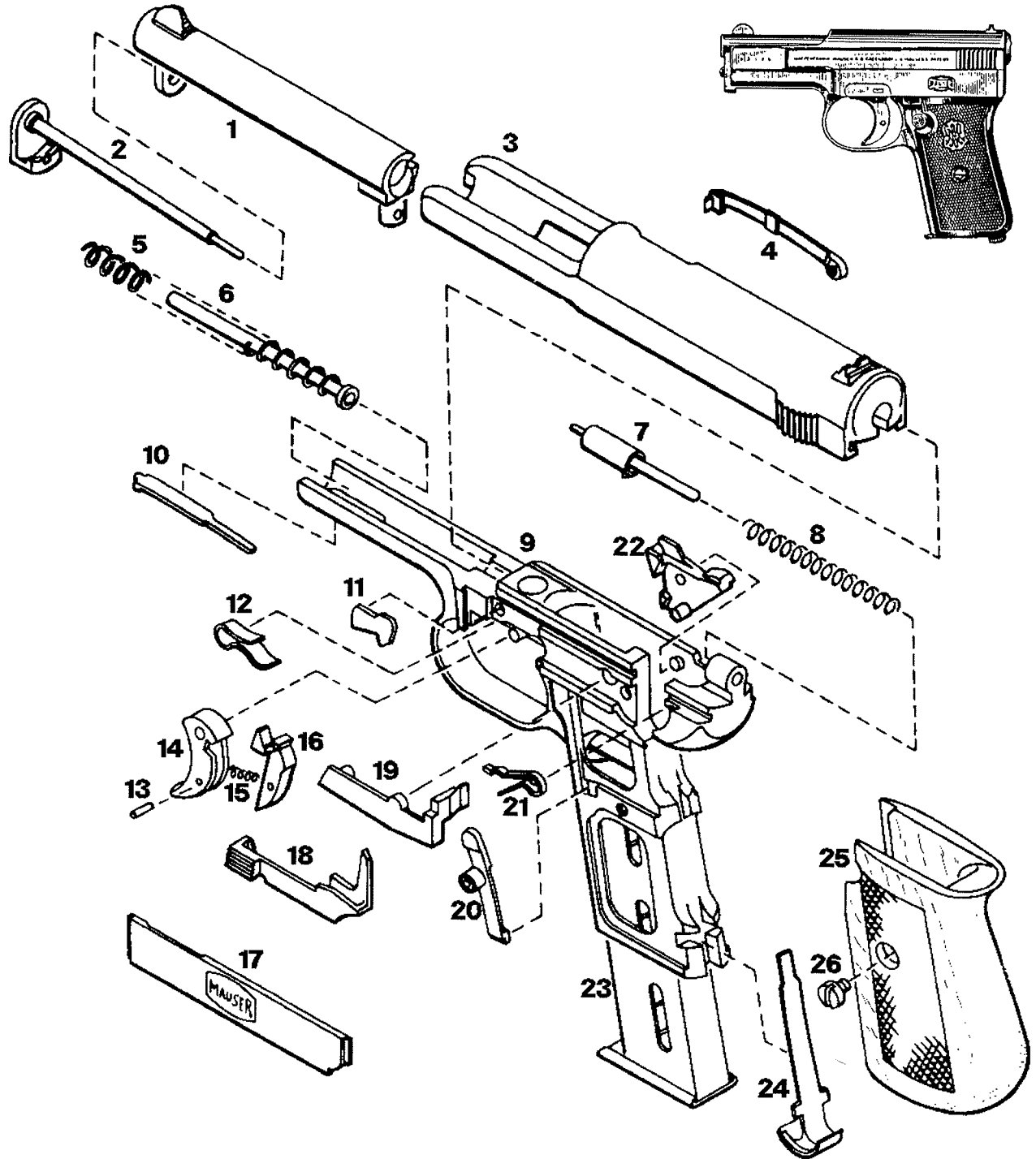
1	Frame	13	Hammer Strut	25	Mainspring
2	Slide	14	Magazine Release	26	Sear Spring
3	Backstrap	15	Magazine Safety	27	Ejector Spring
4	Hammer	16	Firing Pin	28	Takedown Latch Spring
5	Sear	17	Extractor	29	Trigger Spring
6	Trigger	18	Takedown Latch	30	Trigger Bar Spring
7	Trigger Bar	19	Rear Sight	31	Firing Pin Spring
8	Ejector	20	Hammer Axis Pin	32	Extractor Spring
9	Grips	21	Hammer Strut Pin	33	Recoil Spring
10	Magazine Assembly	22	Trigger Pin	34	Magazine Release Pin
11	Barrel	23	Sear Pin	35	Grip Screws
12	Safety	24	Extractor Pins		

Model 1896 "Broomhandle" (Early Type Cone Hammer) Auto



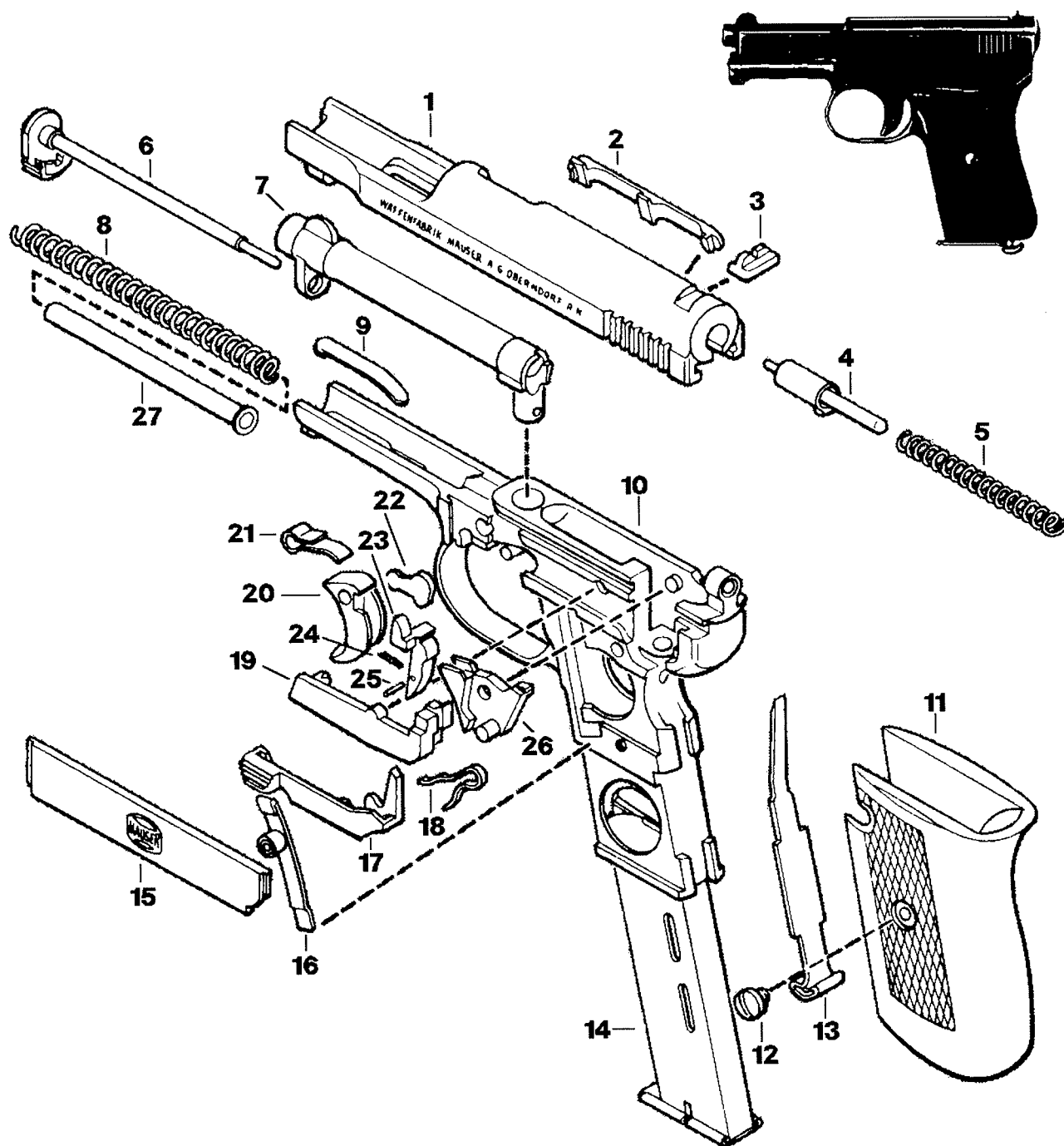
1	Barrel and Barrel Extension	12	Rocker Coupling	23	Grip Screw
2	Extractor	13	Mainspring Plunger	24	Magazine Floorplate
3	Bolt	14	Rocker Plunger	25	Magazine Spring
4	Firing Pin Retainer	15	Mainspring	26	Magazine Follower
5	Firing Pin Spring	16	Sear	27	Trigger
6	Firing Pin	17	Sear Arm	28	Trigger Housing
7	Bolt Stop	18	Safety	29	Trigger Pin
8	Hammer	19	Lock Frame Stop	30	Floorplate Plunger
9	Sear Spring and Hammer Pivot	20	Receiver	31	Trigger Spring
10	Lock Mechanism Frame	21	Right Grip Panel		
11	Bolt Locking Block	22	Left Grip Panel		

Model 1909-1910 Pocket Auto

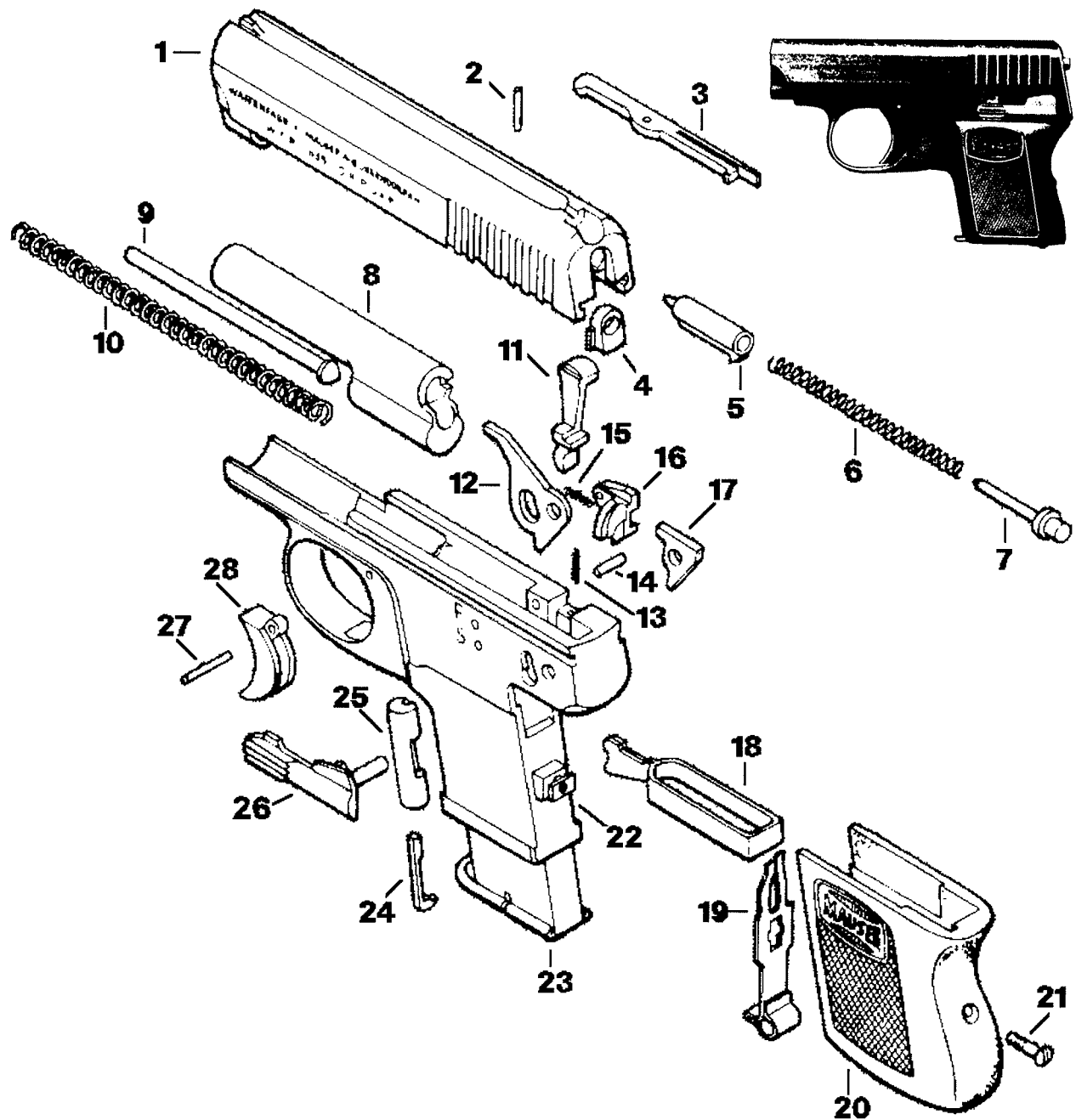


- | | | | | | |
|---|---------------------|----|--------------------|----|-------------------------|
| 1 | Barrel | 10 | Takedown Rod Catch | 19 | Trigger Bar |
| 2 | Takedown Rod | 11 | Disconnecter | 20 | Safety Catch Release |
| 3 | Slide | 12 | Trigger Spring | 21 | Trigger Bar Spring |
| 4 | Extractor | 13 | Trigger Pin | 22 | Ejector/Hold-Open Catch |
| 5 | Recoil Spring | 14 | Trigger | 23 | Magazine Assembly |
| 6 | Recoil Spring Guide | 15 | Trigger Sear Pin | 24 | Magazine Catch |
| 7 | Firing Pin | 16 | Trigger Sear | 25 | Grip |
| 8 | Firing Pin Spring | 17 | Sideplate | 26 | Grip Screws |
| 9 | Frame | 18 | Safety Catch | | |

Model 1910-1934 Pocket Auto

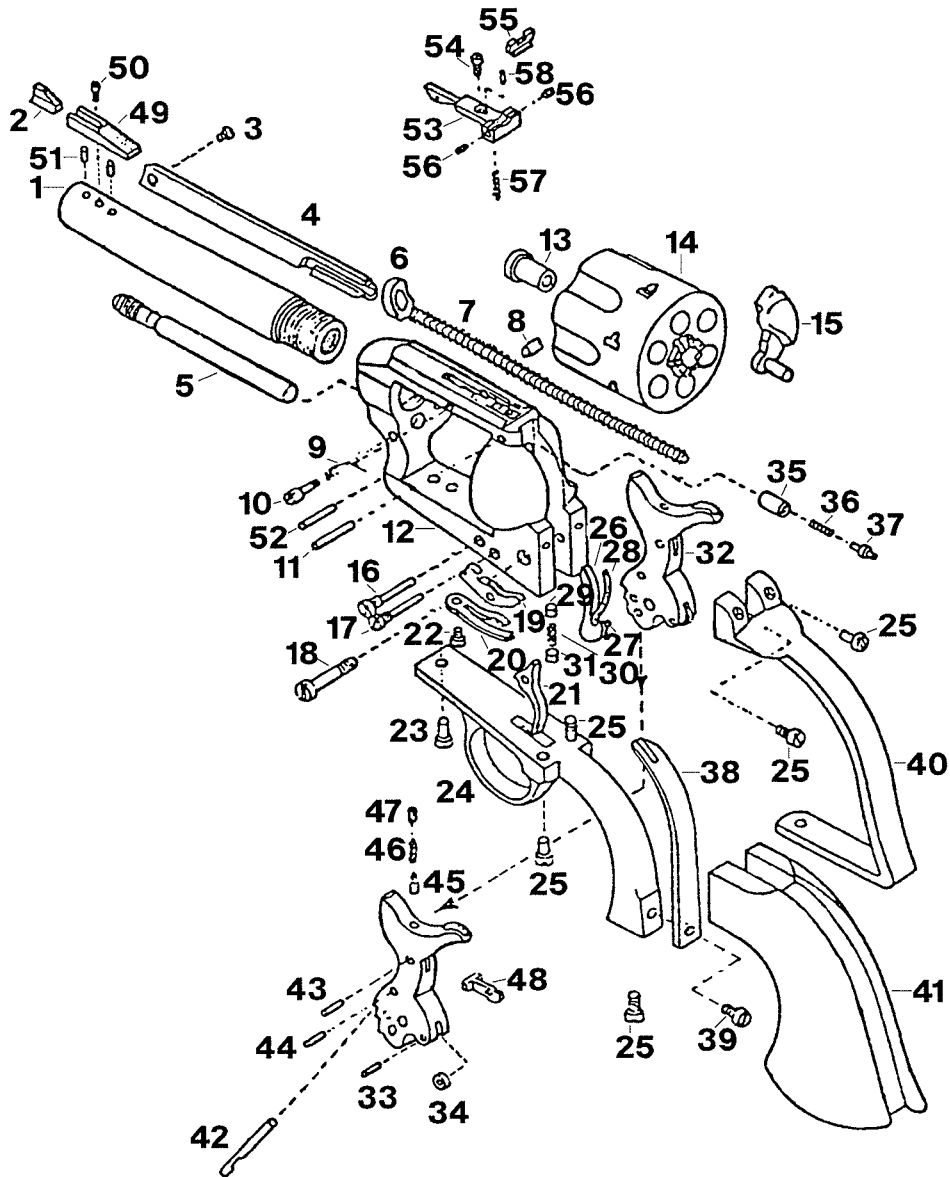


1	Slide	10	Frame	19	Trigger Bar
2	Extractor	11	Grip	20	Trigger
3	Rear Sight	12	Grip Screw	21	Trigger Spring
4	Firing Pin	13	Magazine Catch	22	Disconnecter
5	Firing Pin Spring	14	Magazine Assembly	23	Trigger Sear
6	Takedown Rod	15	Sideplate	24	Trigger Sear Spring
7	Barrel	16	Safety Catch Release	25	Trigger Sear Pin
8	Recoil Spring	17	Safety Catch	26	Ejector and Hold-Open Catch
9	Takedown Rod Catch	18	Trigger Bar Spring	27	Recoil Spring Guide

W.T.P. Old Model Auto*Courtesy of Blacksmith Corporation*

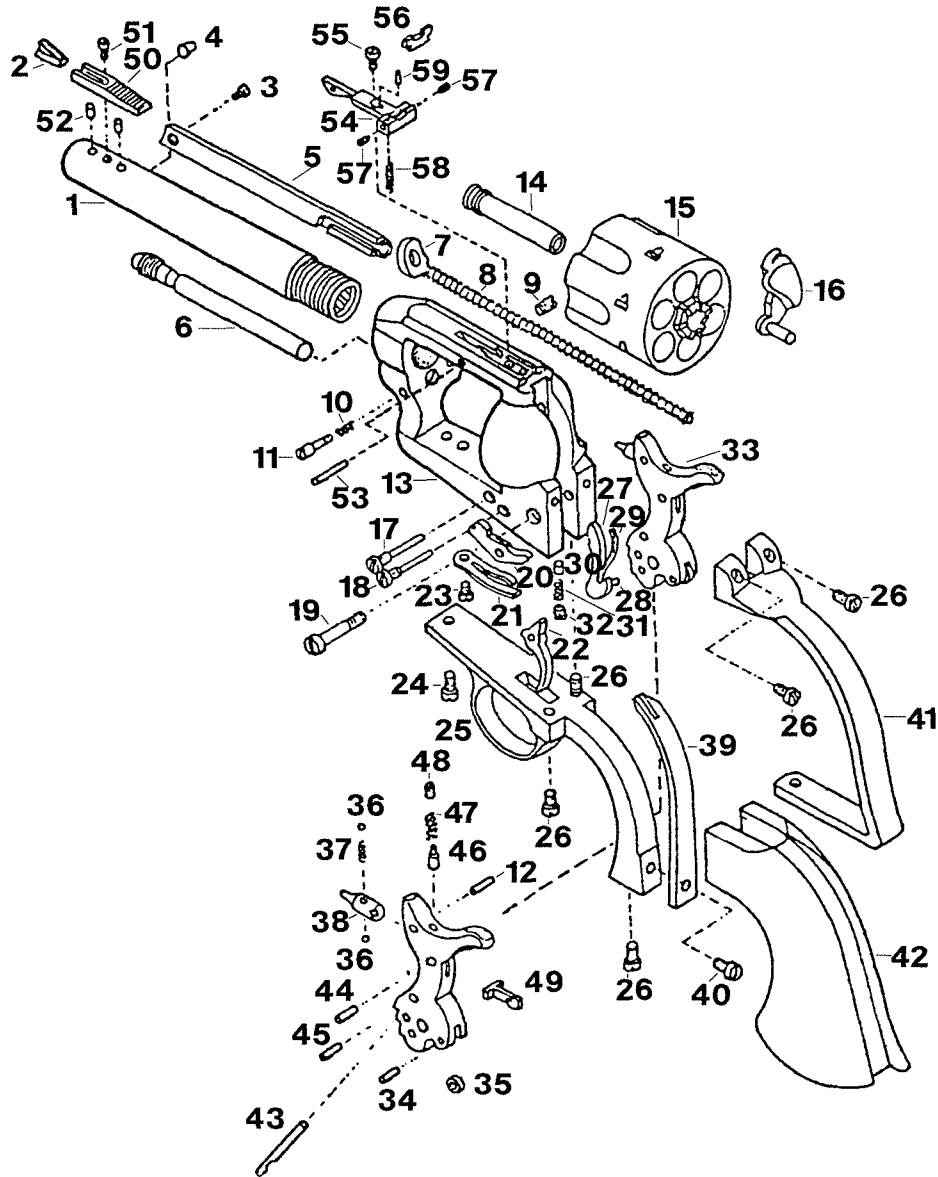
1	Slide	11	Disconnecter	21	Grip Screw
2	Extractor Pin	12	Magazine Disconnecter	22	Frame
3	Extractor	13	Disconnecter Spring	23	Magazine Assembly
4	Firing Pin Retainer	14	Sear Pin	24	Takedown Catch Spring
5	Firing Pin	15	Sear Spring	25	Takedown Catch
6	Firing Pin Spring	16	Sear	26	Safety Catch
7	Firing Pin Spring Guide	17	Trigger Lever	27	Trigger Pin
8	Barrel	18	Trigger Bar	28	Trigger
9	Recoil Spring Guide Rod	19	Magazine Catch		
10	Recoil Spring	20	Grip		

22 Rimfire Revolver



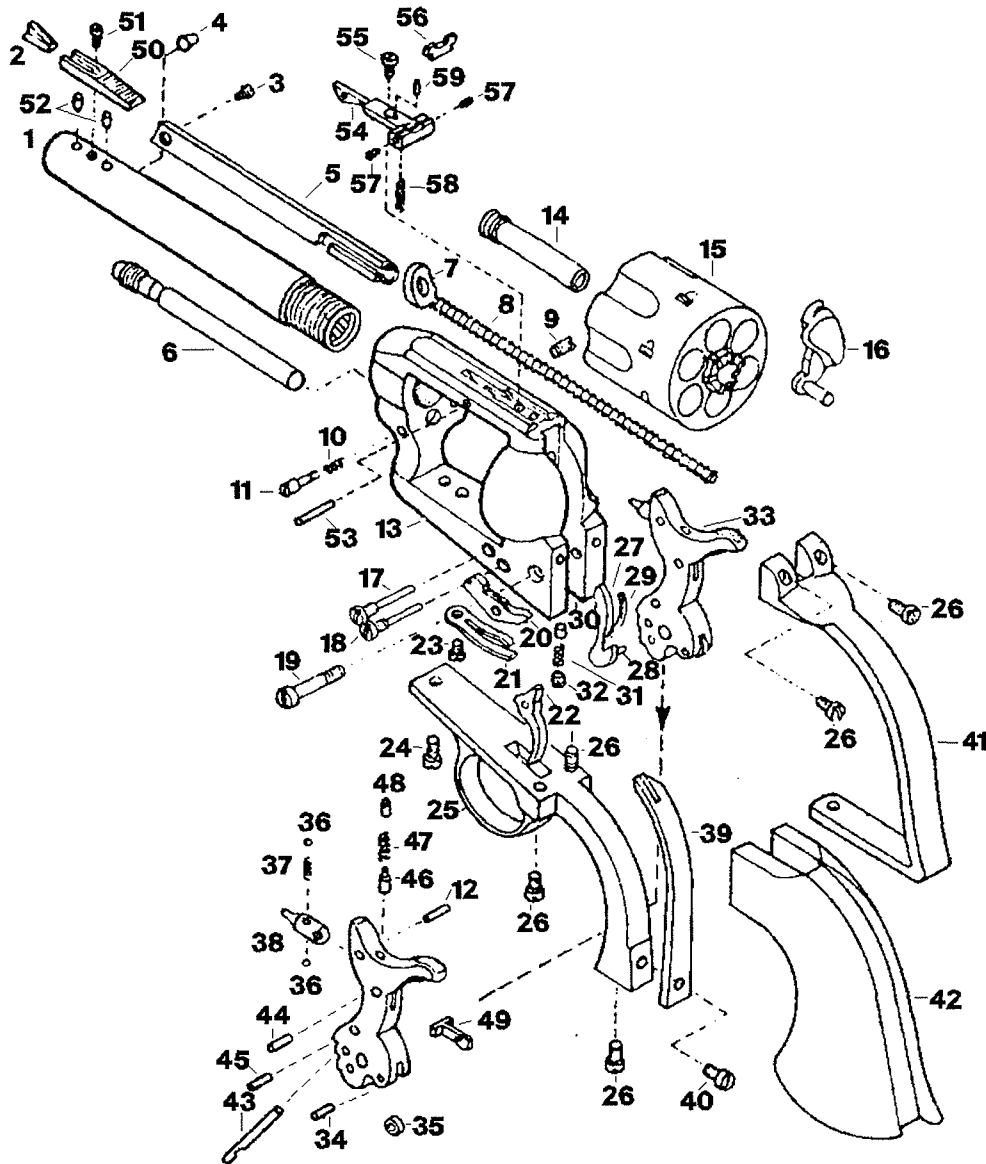
1	Barrel	21	Trigger	41	Grip
2	Front Sight	22	Sear and Bolt Spring Screw	42	Safety Block Rod
3	Ejector Rod Housing Screw	23	Front Guard Screw	43	Safety Block Pin
4	Ejector Rod Housing	24	Trigger Guard	44	Safety Block Rod Pin
5	Base Pin	25	Trigger Guard/Backstrap Screws	45	Safety Block Plunger
6	Ejector Rod with Head	26	Hand	46	Safety Block Plunger Spring
7	Ejector Rod Spring	27	Hand Pin	47	Safety Block Plunger Screw
8	Base Pin Screw Nut	28	Hand Spring	48	Safety Block
9	Base Pin Spring	29	Gate Catch Detent	49	Front Sight Base
10	Base Pin Screw	30	Gate Catch Spring	50	Front Sight Base Screw
11	Firing Pin Rivet Pin	31	Gate Catch Screw	51	Front Sight Pins
12	Frame	32	Hammer	52	Rear Sight Leaf Pin
13	Base Pin Bushing	33	Hammer Roll Pin	53	Rear Sight Base
14	Cylinder	34	Hammer Roll	54	Rear Sight Elevation Screw
15	Gate	35	Firing Pin Bearing (2)	55	Rear Sight Blade
16	Bolt Screw	36	Firing Pin Spring	56	Rear Sight Windage Screws
17	Trigger Screw	37	Firing Pin	57	Rear Sight Elevation Spring
18	Hammer Screw	38	Mainspring	58	Rear Sight Elevation Detent
19	Bolt	39	Mainspring Screw		
20	Sear and Bolt Spring	40	Backstrap		

SA Target/Silhouette Revolver



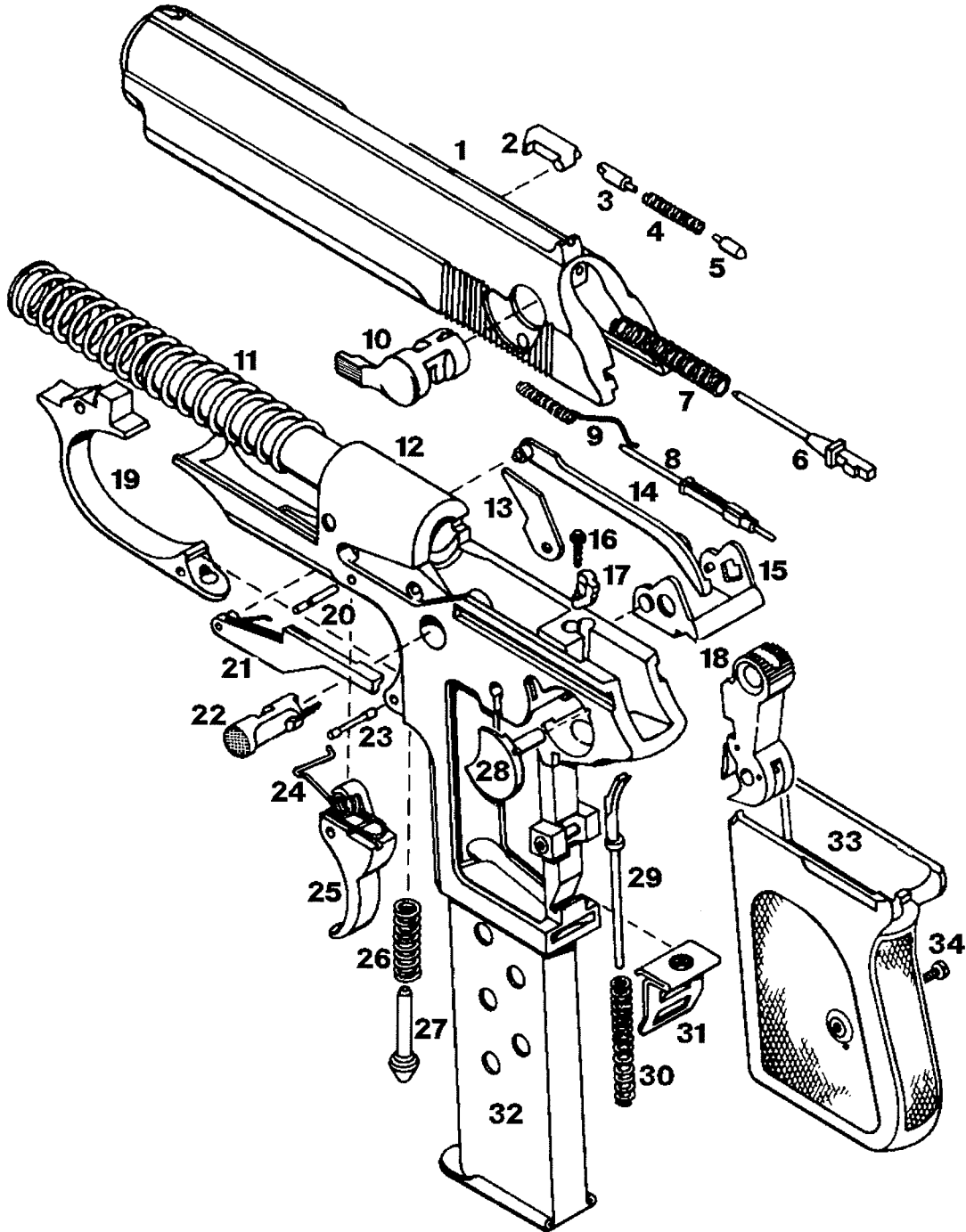
1	Barrel	21	Sear and Bolt Spring	41	Backstrap
2	Front Sight	22	Trigger	42	Grip
3	Ejector Rod Housing Screw	23	Sear and Bolt Spring Screw	43	Safety Block Rod
4	Ejector Rod Housing Lug	24	Front Guard Screw	44	Safety Block Pin
5	Ejector Rod Housing	25	Trigger Guard	45	Safety Block Rod Pin
6	Base Pin	26	Trigger Guard/Backstrap Screws	46	Safety Block Detent
7	Ejector Rod with Head	27	Hand	47	Safety Block Detent Spring
8	Ejector Rod Spring	28	Hand Assembly	48	Safety Block Detent Screw
9	Base Pin Screw Nut	29	Hand Spring	49	Safety Block
10	Base Pin Spring	30	Gate Catch Detent	50	Front Sight Base
11	Base Pin Screw	31	Gate Catch Spring	51	Front Sight Base Screw
12	Firing Pin Retaining Pin	32	Gate Catch Screw	52	Front Sight Base Pins
13	Frame	33	Hammer	53	Rear Sight Base Pin
14	Base Pin Bushing	34	Hammer Roll Pin	54	Rear Sight Base
15	Cylinder	35	Hammer Roll	55	Rear Sight Elevation Screw
16	Gate	36	Firing Pin Housing	56	Rear Sight Blade
17	Bolt Screw	37	Firing Pin Spring	57	Rear Sight Windage Screws
18	Trigger Screw	38	Firing Pin	58	Rear Sight Elevation Spring
19	Hammer Screw	39	Mainspring	59	Rear Sight Elevation Detent
20	Bolt	40	Mainspring Screw		

Single Action Revolver



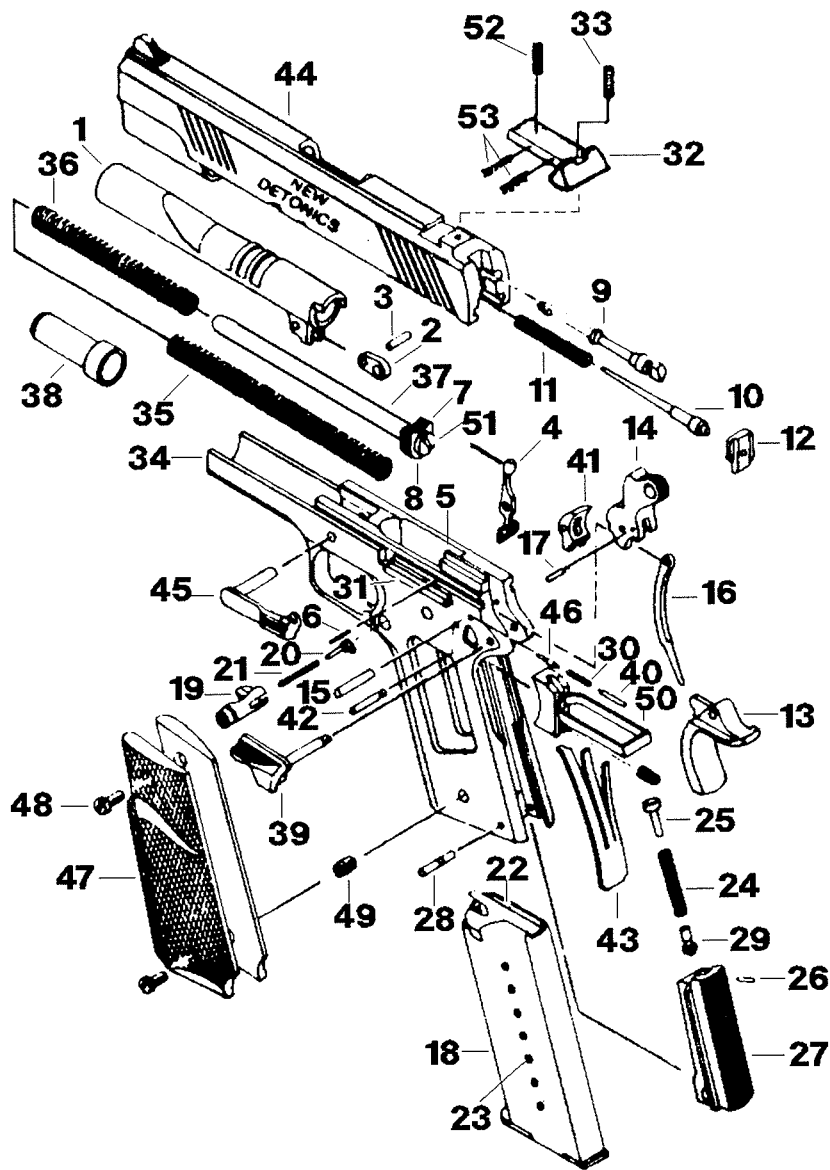
1	Barrel	21	Sear and Bolt Spring	41	Backstrap
2	Front Sight Blade	22	Trigger	42	Grip
3	Ejector Rod Housing Screw	23	Sear and Bolt Spring Screw	43	Safety Block Rod
4	Ejector Rod Housing Lug	24	Front Guard Screw	44	Safety Block Pin
5	Ejector Rod Housing	25	Trigger Guard	45	Safety Block Rod Pin
6	Base Pin	26	Trigger Guard/Backstrap Screws	46	Safety Block Plunger
7	Ejector Rod and Head	27	Hand	47	Safety Block Plunger Spring
8	Ejector Rod Spring	28	Hand Pin	48	Safety Block Plunger Screw
9	Base Pin Screw Nut	29	Hand Spring	49	Safety Block
10	Base Pin Spring	30	Gate Catch	50	Front Sight Base
11	Base Pin Screw	31	Gate Catch Spring	51	Front Sight Base Screw
12	Firing Pin Rivet	32	Gate Catch Screw	52	Front Sight Pins
13	Frame	33	Hammer	53	Rear Sight Leaf Pin
14	Base Pin Bushing	34	Hammer Roll Pin	54	Rear Sight Base
15	Cylinder	35	Hammer Roller	55	Rear Sight Elevation Screw
16	Gate	36	Firing Pin Bearings	56	Rear Sight Blade
17	Bolt Screw	37	Firing Pin Spring	57	Rear Sight Windage Screws
18	Trigger Screw	38	Firing Pin	58	Rear Sight Elevation Spring
19	Hammer Screw	39	Mainspring	59	Rear Sight Elevation Detent
20	Bolt	40	Mainspring Screw		

Turkish 380 Auto



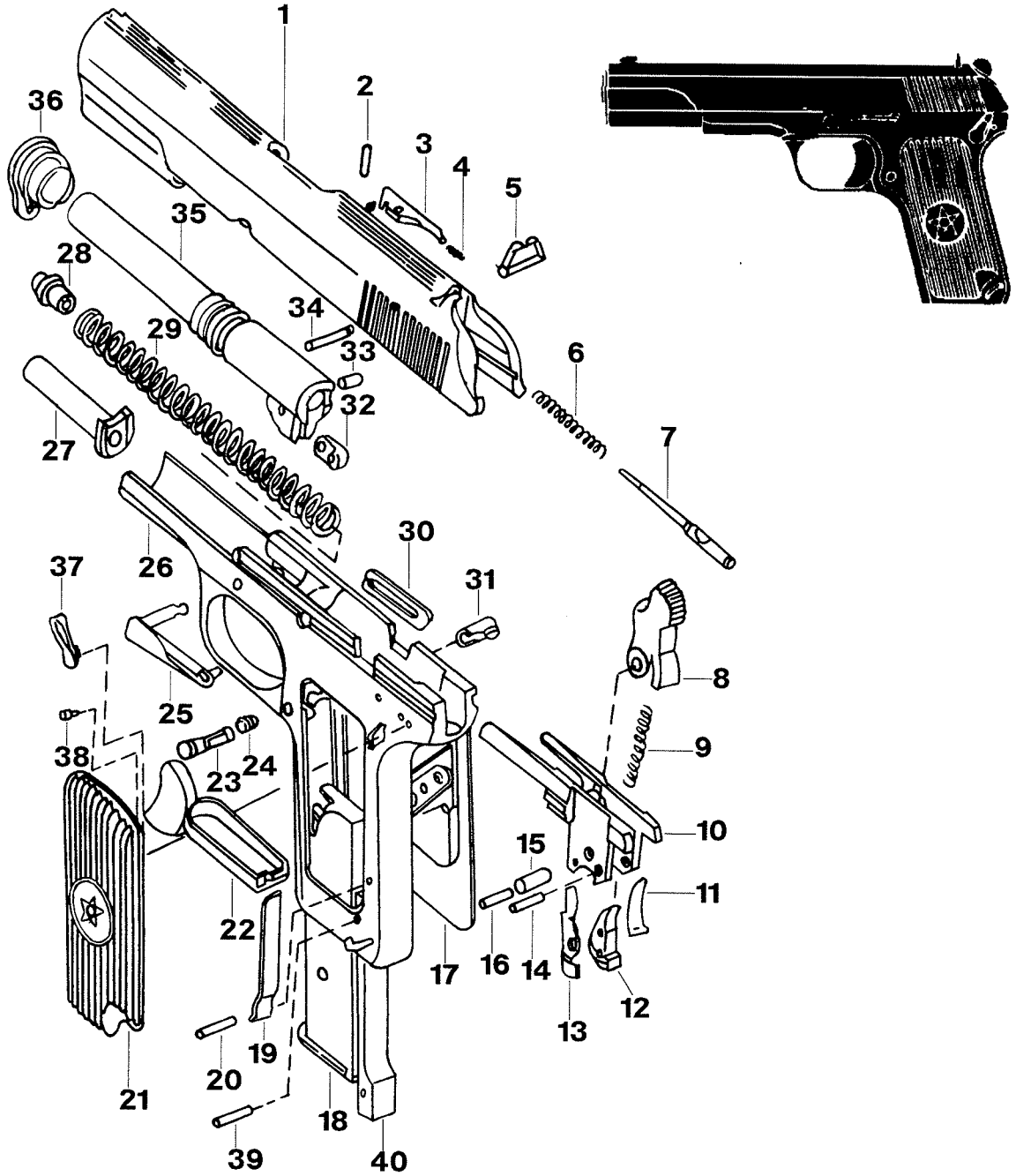
1	Slide	13	Hammer Release	24	Trigger Spring
2	Extractor	14	Trigger Bar	25	Trigger
3	Extractor Plunger	15	Cocking Piece	26	Trigger Guard Spring
4	Extractor Spring	16	Hammer Block Plunger and Spring	27	Trigger Guard Plunger
5	Safety Catch Plunger	17	Hammer Block	28	Hammer Pin
6	Firing Pin	18	Hammer	29	Hammer Strut
7	Firing Pin Spring	19	Trigger Guard	30	Hammer Spring
8	Cartridge Indicator	20	Trigger Pin	31	Lanyard Loop/Mainspring Retaining Bar
9	Indicator Spring	21	Ejector and Spring	32	Magazine Assembly
10	Safety Catch	22	Magazine Catch	33	Grip
11	Recoil Spring	23	Trigger Guard Pin	34	Grip Screw
12	Frame and Barrel				

Scoremaster/ServiceMaster Auto



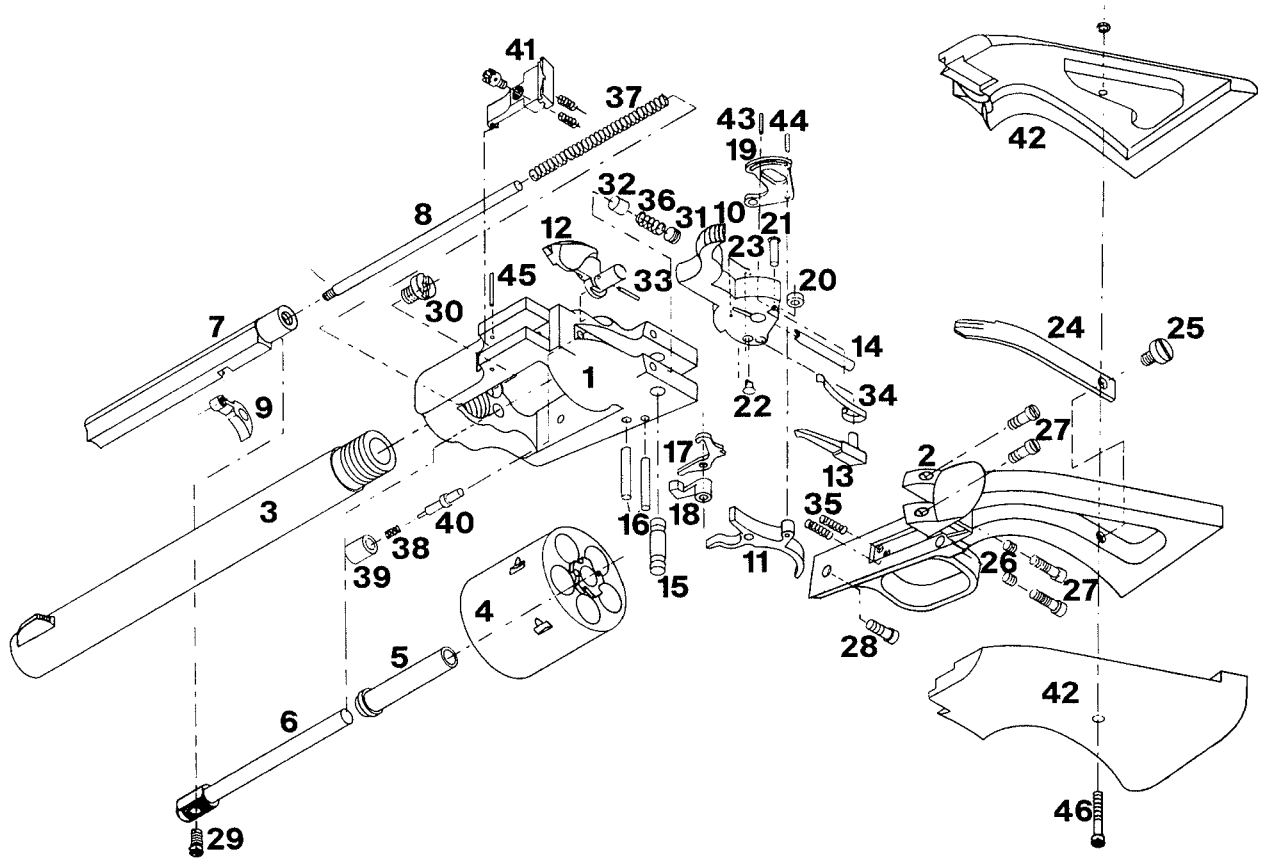
1	Barrel	19	Magazine Catch	36	Recoil Spring—Inner
2	Barrel Link	20	Magazine Catch Lock	37	Recoil Spring Guide
3	Barrel Link Pin	21	Magazine Catch Spring	38	Recoil Spring Cap
4	Disconnecter	22	Magazine Follower	39	Safety Lock
5	Ejector	23	Magazine Spring	40	Safety Lock Plunger
6	Ejector Pin	24	Mainspring	41	Sear
7	Elastomer	25	Mainspring Cap	42	Sear Pin
8	Elastomer Retaining Plate	26	Mainspring Cap Spring	43	Sear Spring
9	Extractor	27	Mainspring Housing	44	Slide
10	Firing Pin	28	Mainspring Housing Pin	45	Slide Stop
11	Firing Pin Spring	29	Mainspring Housing Pin Retainer	46	Slide Stop Plunger
12	Firing Pin Stop	30	Plunger Spring	47	Stock
13	Grip Safety	31	Plunger Tube	48	Stock Screws
14	Hammer	32	Rear Sight Windage Screw	49	Stock Screw Bushing
15	Hammer Pin	33	Rear Sight Elevation Screw	50	Trigger Assembly
16	Hammer Strut	34	Receiver	51	Recoil Spring Guide Screw
17	Hammer Strut Pin	35	Recoil Spring—Outer	52	Rear Sight Retention Pin
18	Magazine Assembly			53	Rear Sight Springs

213 Auto



1	Slide	15	Hammer Pin	29	Recoil Spring
2	Extractor Pin	16	Sear Pin	30	Slide Stop Clip
3	Extractor	17	Right Grip	31	Magazine Catch Lock
4	Extractor Spring	18	Magazine Assembly	32	Barrel Link
5	Rear Sight	19	Trigger Spring	33	Barrel Link Pin
6	Firing Pin Spring	20	Trigger Spring Fixing Pin	34	Firing Pin Retainer Pin
7	Firing Pin	21	Left Grip	35	Barrel
8	Hammer	22	Trigger	36	Barrel Bushing
9	Hammer Spring	23	Magazine Catch	37	Safety Assembly
10	Hammer and Sear Housing	24	Magazine Catch Spring	38	Safety Fixing Screw
11	Sear Spring	25	Slide Stop	39	Insert Pin
12	Sear	26	Frame	40	Insert
13	Disconnecter	27	Recoil Spring Guide		
14	Hammer Spring Stop	28	Recoil Spring Plug		

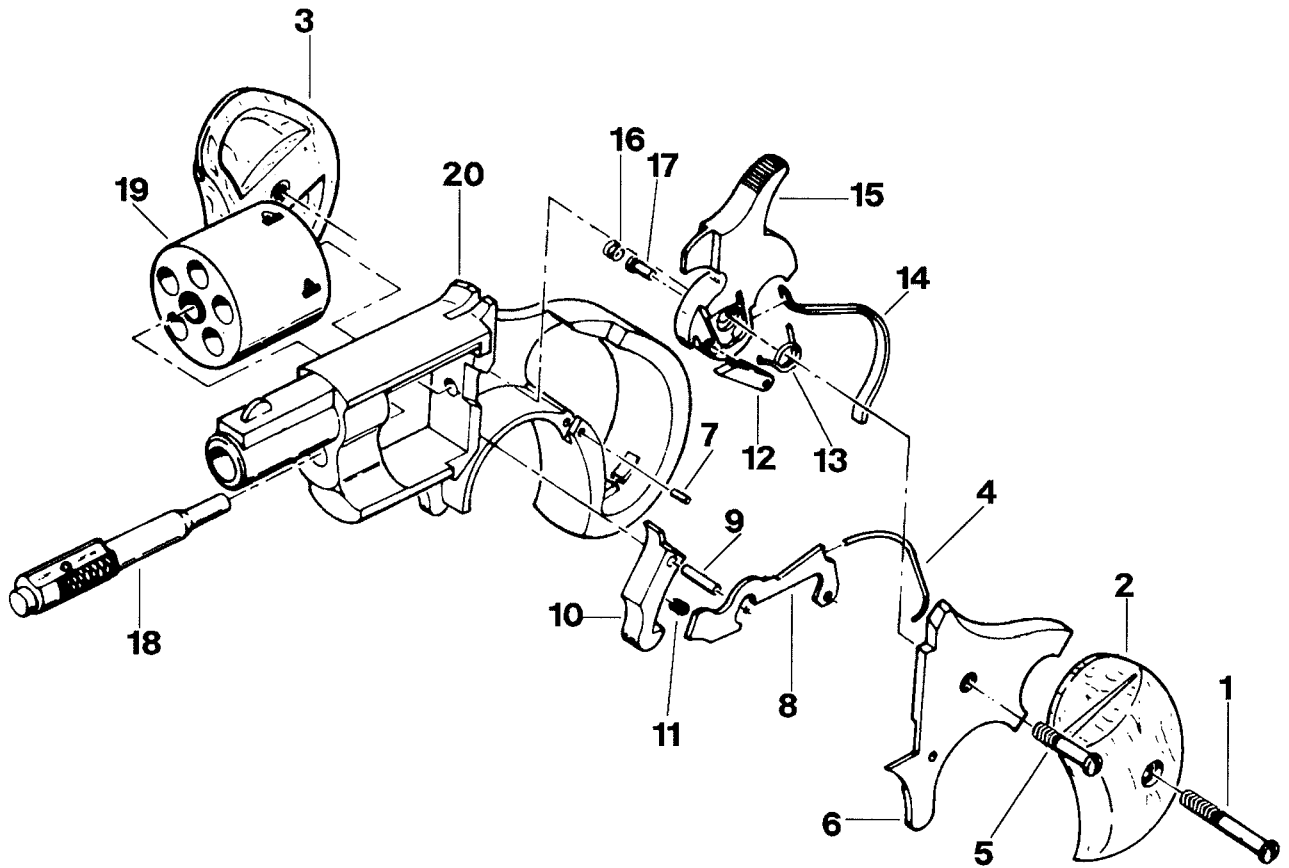
450 Magnum Revolver



1	Cylinder Frame	24	Mainspring
2	Grip Frame	25	Mainspring Screw
3	Barrel	26	Hammer Pin Lock Screws
4	Cylinder	27	Frame Screws
5	Cylinder Bushing	28	Front Trigger Guard Screw
6	Cylinder Pin	29	Cylinder Pin Screw
7	Ejector Housing	30	Ejector Housing Screw
8	Ejector Rod	31	Gate Screw
9	Ejector Tab	32	Gate Piston
10	Hammer	33	Gate Pin
11	Trigger	34	Hand Spring
12	Gate	35	Trigger Bolt Springs
13	Hand	36	Gate Spring
14	Auxiliary Firing Pin	37	Ejector Spring
15	Hammer Pin	38	Firing Pin Spring
16	Hammer Pin and Trigger Pin	39	Recoil Plate
17	Latch Cam	40	Firing Pin
18	Latch	41	Rear Sight Assembly
19	Auxiliary Firing Pin Cam	42	Grips
20	Roller	43	Auxiliary Firing Pin Pin
21	Roller Pin	44	Cam Pin Tab
22	Button Latch	45	Rear Sight Assembly Pin
23	Button Latch Spring	46	Grip Screw

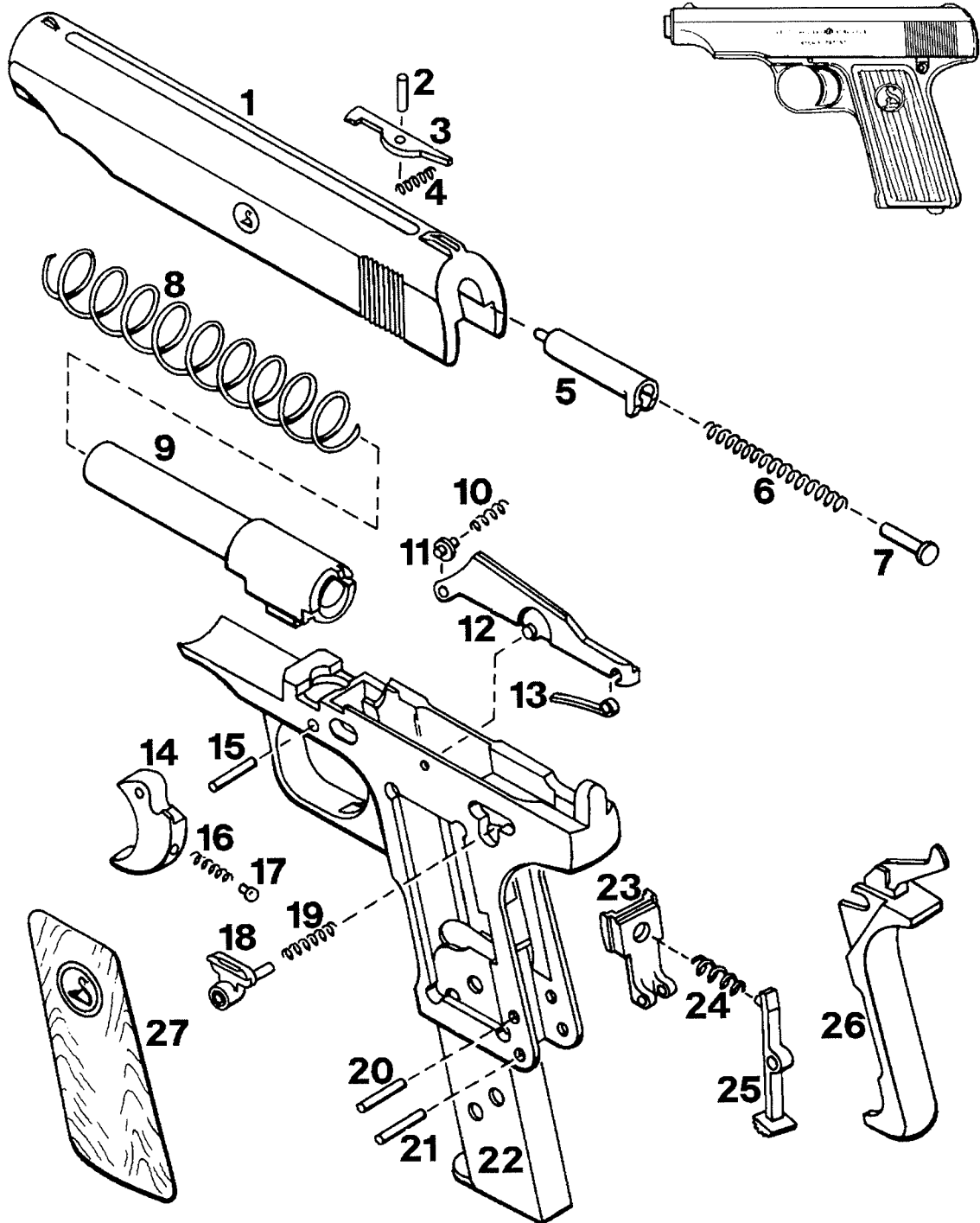
NORTH AMERICAN ARMS

**A-22S-5 Mini Revolver/also other NAA
Mini Revolvers**



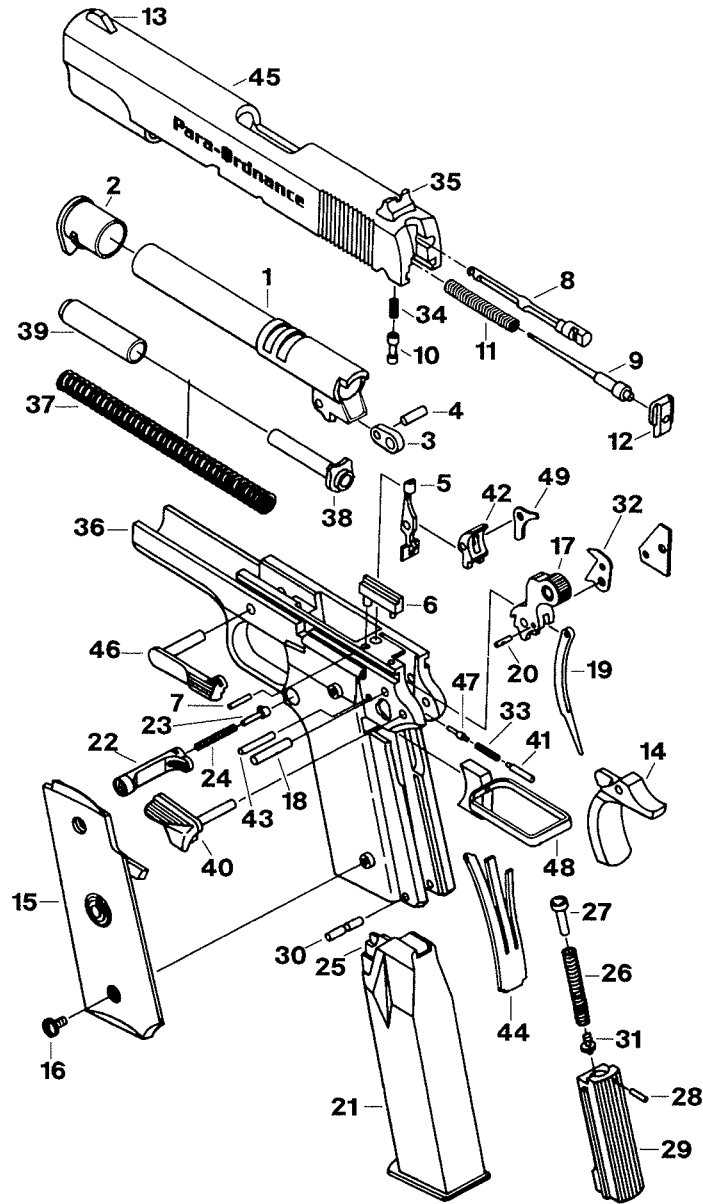
1	Grip Screw	11	Trigger Spring
2	Left Grip Panel	12	Cylinder Hand
3	Right Grip Panel	13	Hand Spring
4	Latch Spring	14	Mainspring
5	Hammer Screw	15	Hammer
6	Sideplate	16	Index Spring
7	Latch Pin	17	Index Pin
8	Cylinder Bolt	18	Cylinder Pin Assembly
9	Trigger Pin	19	Cylinder
10	Trigger	20	Frame

Pocket Auto



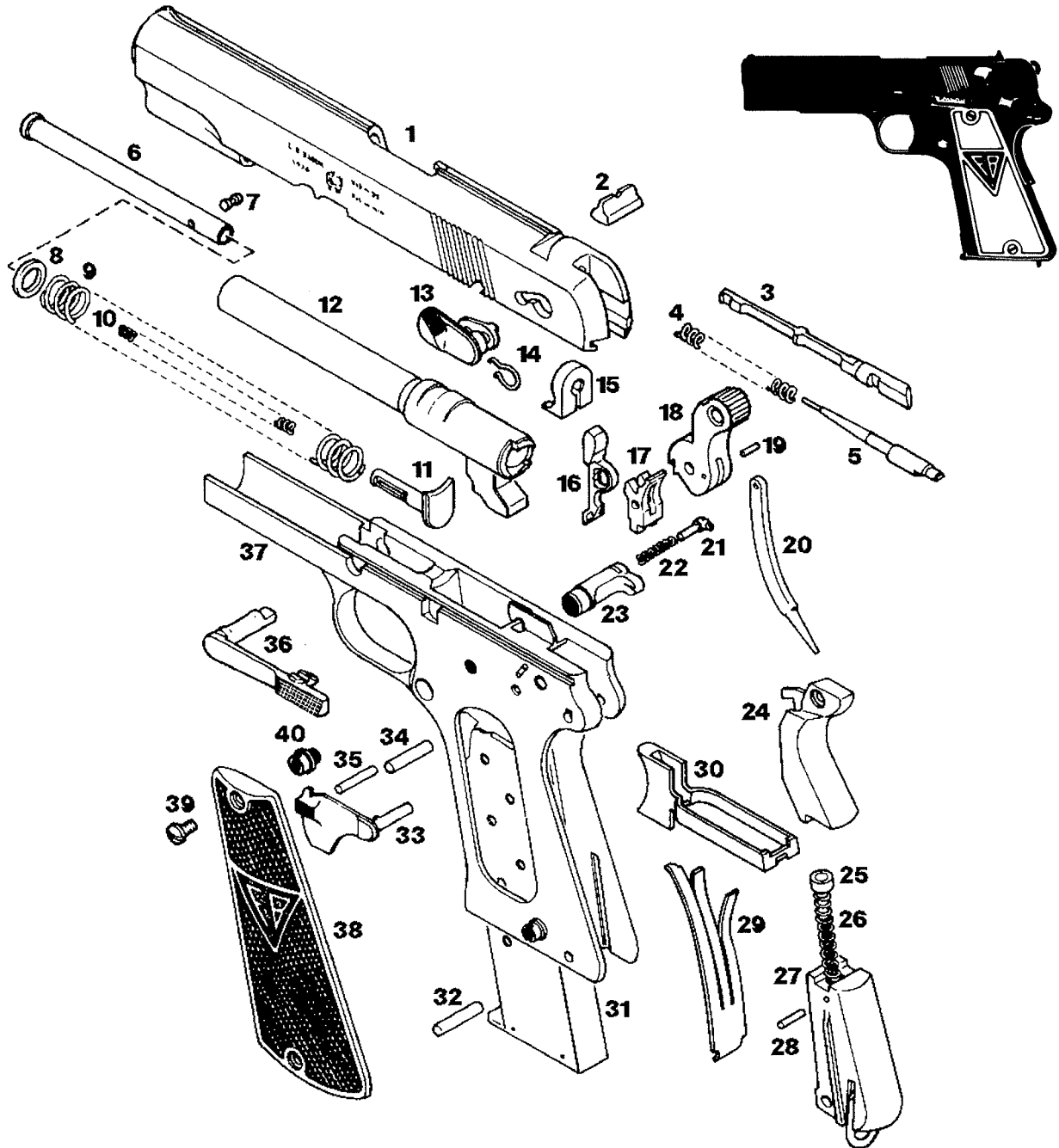
1	Slide	11	Disconnecter	20	Magazine and Left Grip Latch Hinge Pin
2	Extractor Pin	12	Sear	21	Grip Safety Hinge Pin
3	Extractor	13	Sear Spring	22	Magazine
4	Extractor Spring	14	Trigger	23	Grip Latch
5	Firing Pin	15	Trigger Pin	24	Magazine Catch Spring
6	Firing Pin Spring	16	Trigger Spring	25	Magazine Catch
7	Firing Pin Spring Guide	17	Trigger Spring Plunger	26	Grip Safety
8	Recoil Spring	18	Takedown Catch	27	Grip Panel
9	Barrel	19	Takedown Catch Spring		
10	Disconnecter Spring				

P14-45 Auto



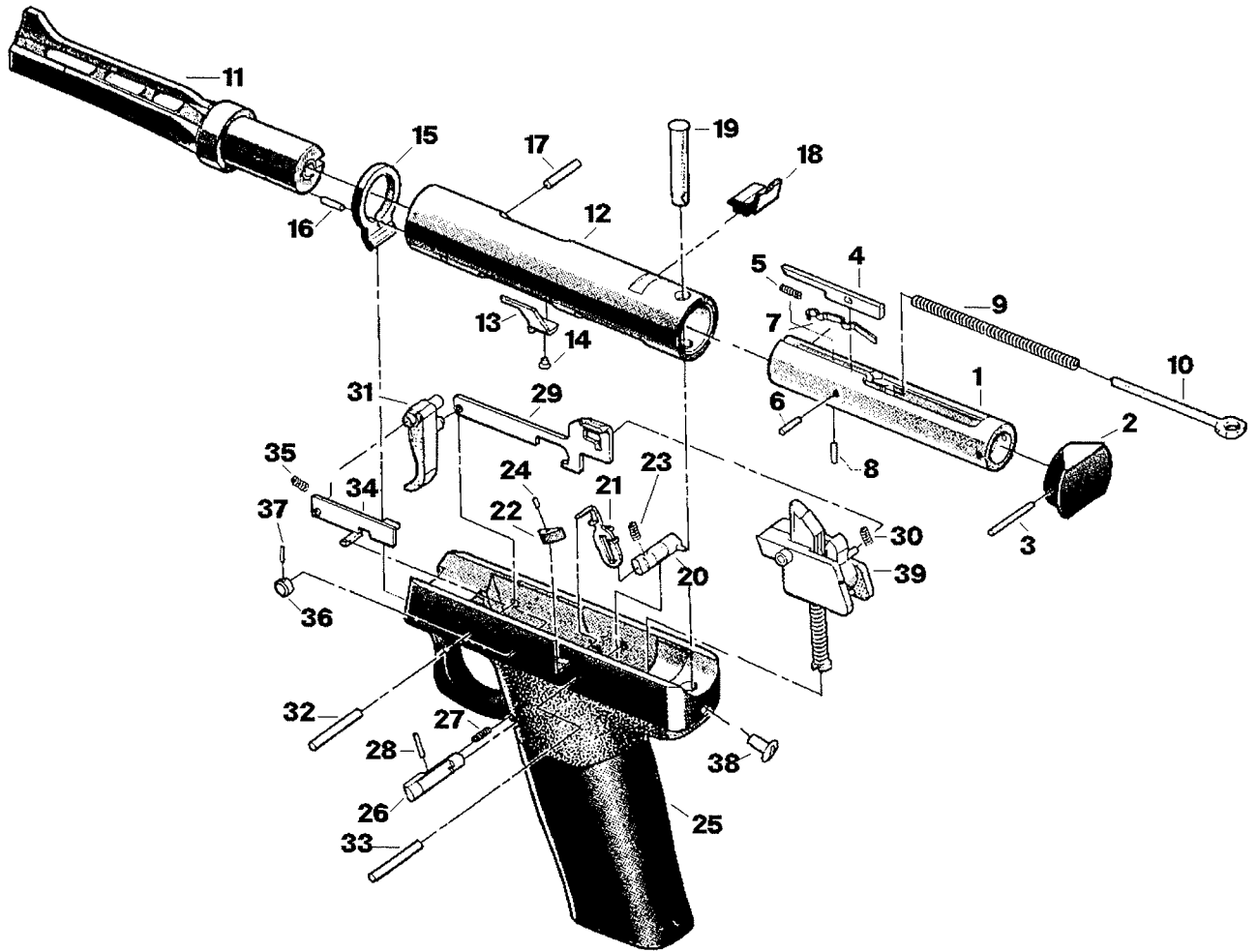
- | | | | | | |
|-----------|--------------------|-----------|---------------------------------|-----------|---------------------|
| 1 | Barrel | 19 | Hammer Strut | 36 | Receiver |
| 2 | Barrel Bushing | 20 | Hammer Strut Pin | 37 | Recoil Spring |
| 3 | Barrel Link | 21 | Magazine Assembly | 38 | Recoil Spring Guide |
| 4 | Barrel Link Pin | 22 | Magazine Catch | 39 | Recoil Spring Plug |
| 5 | Disconnecter | 23 | Magazine Catch Lock | 40 | Safety Lock |
| 6 | Ejector | 24 | Magazine Catch Spring | 41 | Safety Lock Plunger |
| 7 | Ejector Pin | 25 | Magazine Follower | 42 | Sear |
| 8 | Extractor | 26 | Mainspring | 43 | Sear Pin |
| 9 | Firing Pin | 27 | Mainspring Cap | 44 | Sear Spring |
| 10 | Firing Pin Plunger | 28 | Mainspring Cap Pin | 45 | Slide |
| 11 | Firing Pin Spring | 29 | Mainspring Housing (Flat) | 46 | Slide Stop |
| 12 | Firing Pin Stop | 30 | Mainspring Housing Pin | 47 | Slide Stop Plunger |
| 13 | Front Sight | 31 | Mainspring Housing Pin Retainer | 48 | Trigger Assembly |
| 14 | Grip Safety | 32 | Plunger Lever | 49 | Trigger Bar Lever |
| 15 | Grip | 33 | Plunger Spring | | |
| 16 | Grip Screw | 34 | Firing Pin Plunger Spring | | |
| 17 | Hammer | 35 | Rear Sight | | |
| 18 | Hammer Pin | | | | |
- Parts Not Shown**
- Magazine Floorplate
 - Magazine Floorplate Retainer
 - Magazine Spring

Model 1935 (P-35) Auto



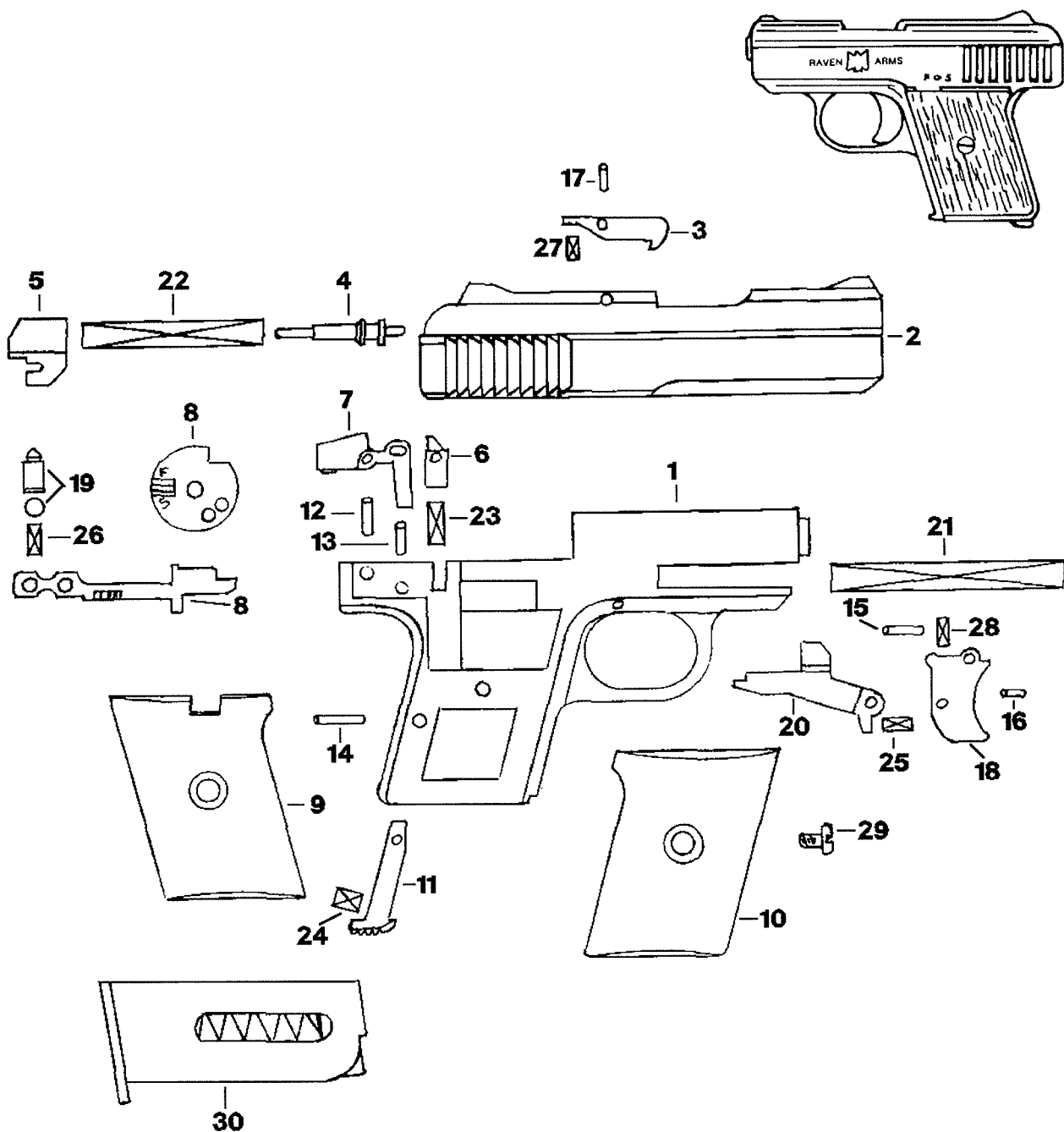
1	Slide	15	Firing Pin Retainer	29	Sear Spring
2	Rear Sight	16	Disconnecter	30	Trigger
3	Extractor	17	Sear	31	Magazine
4	Firing Pin Spring	18	Hammer	32	Mainspring Housing Pin
5	Firing Pin	19	Hammer Strut Pin	33	Takedown Latch
6	Recoil Spring Guide	20	Hammer Strut	34	Hammer Pin
7	Spring Guide Retainer Pin	21	Magazine Catch Spring Guide	35	Sear and Disconnecter Pin
8	Recoil Spring Stop	22	Magazine Catch Spring	36	Slide Stop/Hold-Open
9	Recoil Spring	23	Magazine Catch	37	Frame
10	Auxiliary Recoil Spring	24	Grip Safety	38	Grip Panel
11	Recoil Spring Guide Extension	25	Mainspring Cap	39	Grip Screw
12	Barrel	26	Mainspring	40	Grip Escutcheon
13	Hammer Drop Catch	27	Mainspring Housing		
14	Hammer Drop Catch Spring	28	Mainspring Retainer Pin		

Exactor Auto



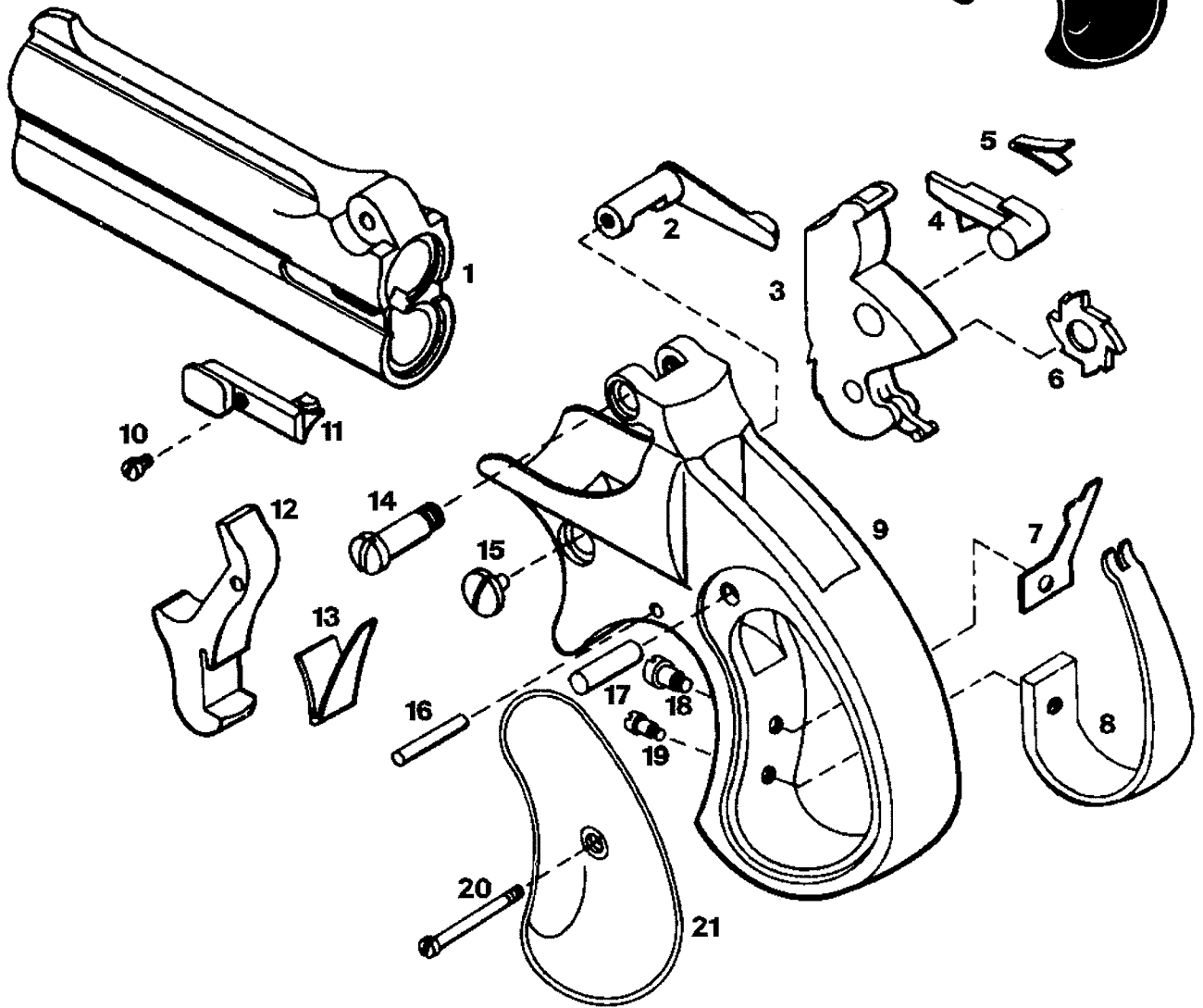
1 Bolt	15 Recoil Lug	29 Disconnecter
2 Actuator Handle	16 Alignment Pin	30 Disconnecter Spring
3 Actuator Pin	17 Shank Pin	31 Trigger Sub-Assembly
4 Firing Pin	18 Fixed Rear Sight	32 Trigger Retaining Pin
5 Firing Pin Spring	19 Bolt Stop Pin	33 Frame Retaining Pin
6 Firing Pin Pin	20 Hammer Block Sub-Assembly	34 Bolt Hold-Open
7 Extractor	21 Safety-Lever Sub-Assembly	35 Bolt Hold-Open Spring
8 Extractor Pin	22 Safety Knob	36 Bolt Hold-Open Knob
9 Recoil Spring	23 Safety Spring	37 Bolt Hold-Open Pin
10 Recoil Spring Guide	24 Safety Knob Pin	38 Takedown Screw
11 Barrel Sub-Assembly	25 Grip Body	39 Fire Control Sub-Assembly
12 Receiver	26 Magazine Latch	
13 Ejector	27 Magazine Latch Spring	Parts Not Shown
14 Ejector Screw	28 Magazine Latch Pin	Adjustable Rear Sight
		Magazine

Model P-25 and MP-25 Auto



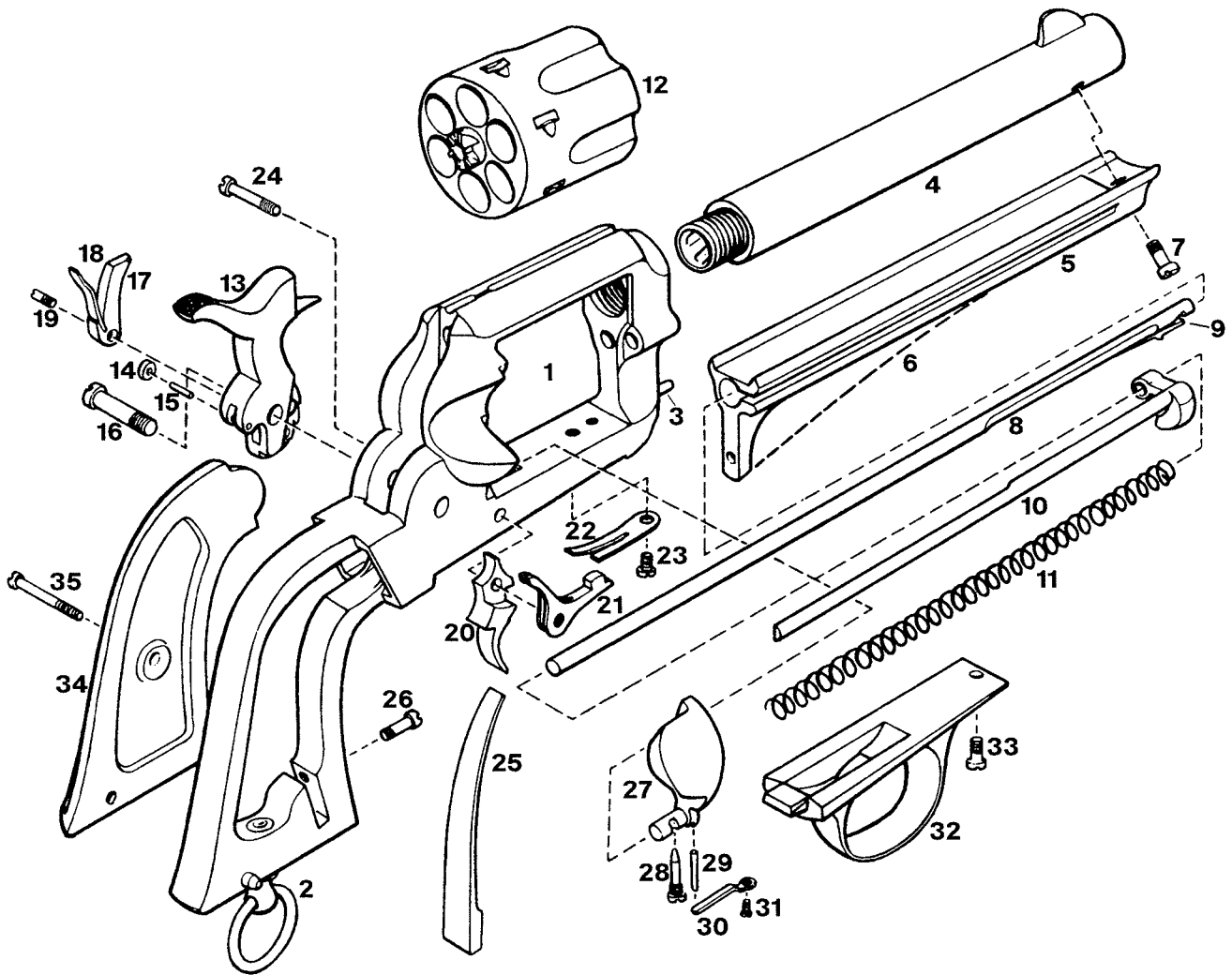
1	Frame	11	Magazine Catch	21	Recoil Spring
2	Slide	12	Retainer Pin	22	Striker Spring
3	Extractor	13	Cam Pin	23	Sear Spring
4	Firing Pin	14	Catch Pin	24	Catch Spring
5	Retainer	15	Pivot Pin	25	Trigger Spring
6	Sear Assembly	16	Trigger Pin	26	Plunger Spring
7	Cam	17	Extractor Pin	27	Extractor Spring
8	Safety Assembly	18	Trigger	28	Return Spring
9	Left Grip	19	Plunger and Ball	29	Grip Screw
10	Right Grip	20	Disconnecter	30	Magazine Assembly

Double Derringer Auto



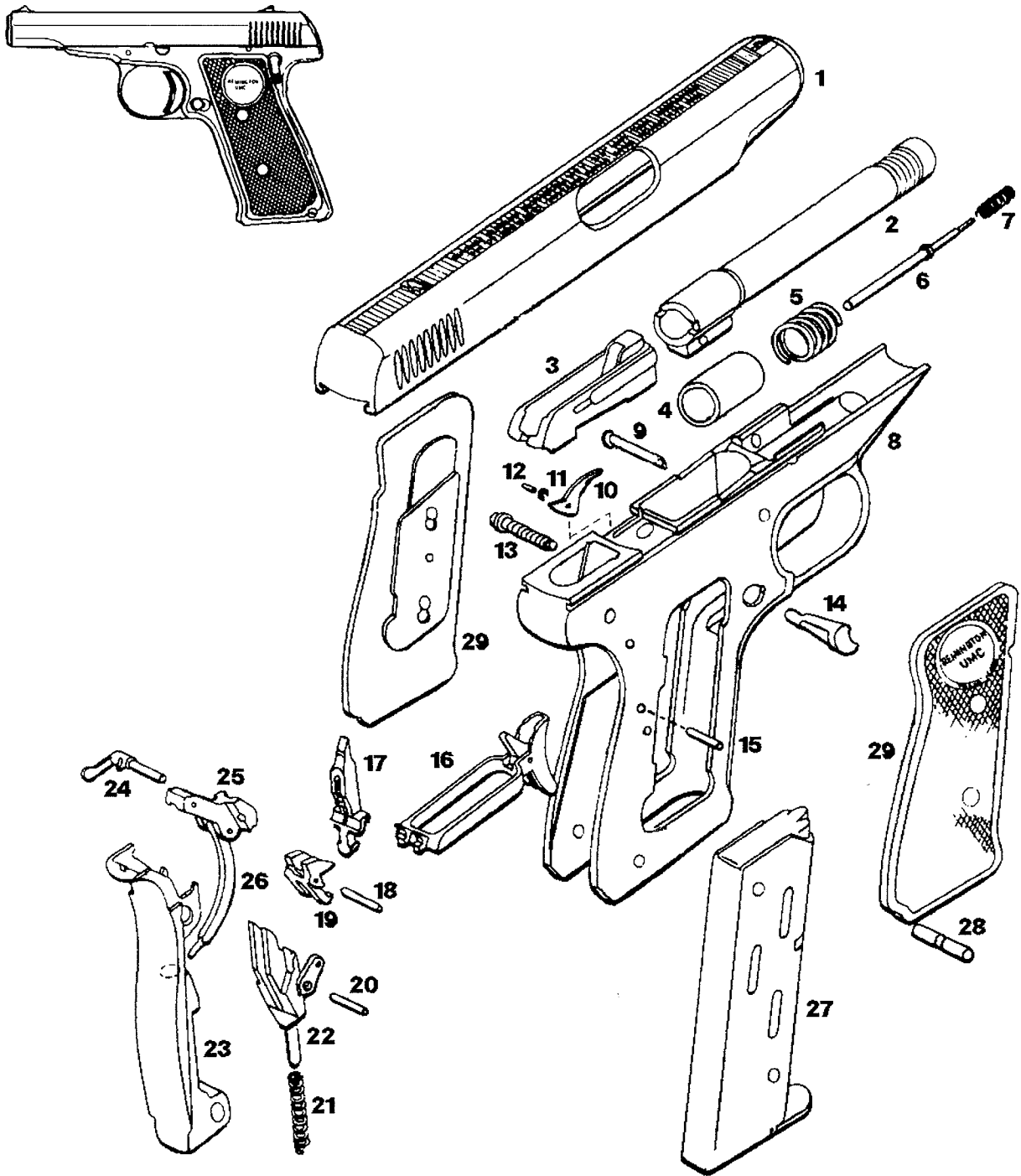
1	Barrels	12	Trigger
2	Barrel Lock	13	Trigger Spring
3	Hammer	14	Barrel Hinge Screw
4	Firing Pin	15	Barrel Lock Screw
5	Firing Pin Spring	16	Trigger Pin
6	Firing Pin Ratchet	17	Hammer Pin
7	Firing Pin Ratchet Spring	18	Firing Pin Ratchet Spring Screw
8	Mainspring	19	Mainspring Screw
9	Frame	20	Grip Screw
10	Ejector Screw	21	Grip Panel
11	Ejector		

Model 1890 Frontier Revolver



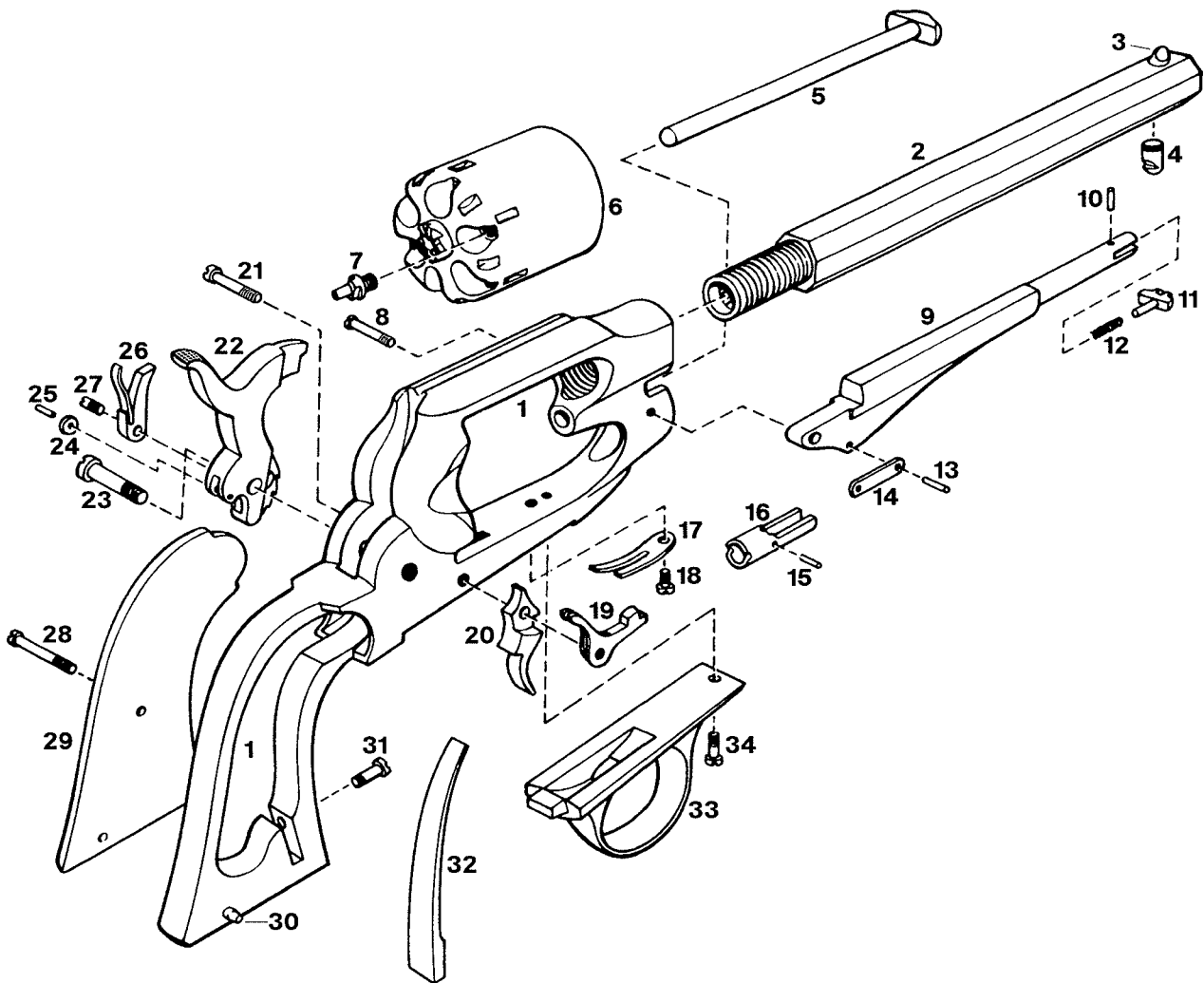
1	Frame	13	Hammer	25	Mainspring
2	Lanyard Swivel Ring Assembly	14	Hammer Roll	26	Strain Screw
3	Ejector Housing Stud	15	Hammer Roll Pin	27	Gate
4	Barrel	16	Hammer Screw	28	Gate Retaining Screw
5	Ejector Housing	17	Hand	29	Gate Plunger
6	Ejector Housing for Model 1875	18	Hand Spring	30	Gate Plunger Spring
7	Ejector Housing Screw	19	Hand Stud	31	Gate Plunger Spring Screw
8	Base Pin	20	Trigger	32	Trigger Guard
9	Base Pin Catch Spring	21	Bolt	33	Trigger Guard Screw
10	Ejector Rod	22	Trigger and Bolt Spring	34	Grip
11	Ejector Spring	23	Trigger and Bolt Spring Screw	35	Grip Screw
12	Cylinder	24	Trigger and Bolt Screw		

Model 51 Auto



1	Slide	11	Ejector Spring	20	Sear Lock Lever Pin
2	Barrel	12	Ejector Pin	21	Mainspring
3	Breech Bolt	13	Magazine Lock Spring and Follower	22	Sear Lock
4	Recoil Spring Bushing	14	Magazine Lock	23	Grip Safety
5	Recoil Spring	15	Sear Lock Pin	24	Safety-Lever
6	Firing Pin	16	Trigger	25	Hammer
7	Firing Pin Spring	17	Disconnecter	26	Mainspring Strut
8	Frame	18	Sear Pin	27	Magazine Assembly
9	Barrel Lock Pin	19	Sear	28	Grip Safety Pin
10	Ejector			29	Grip Panel

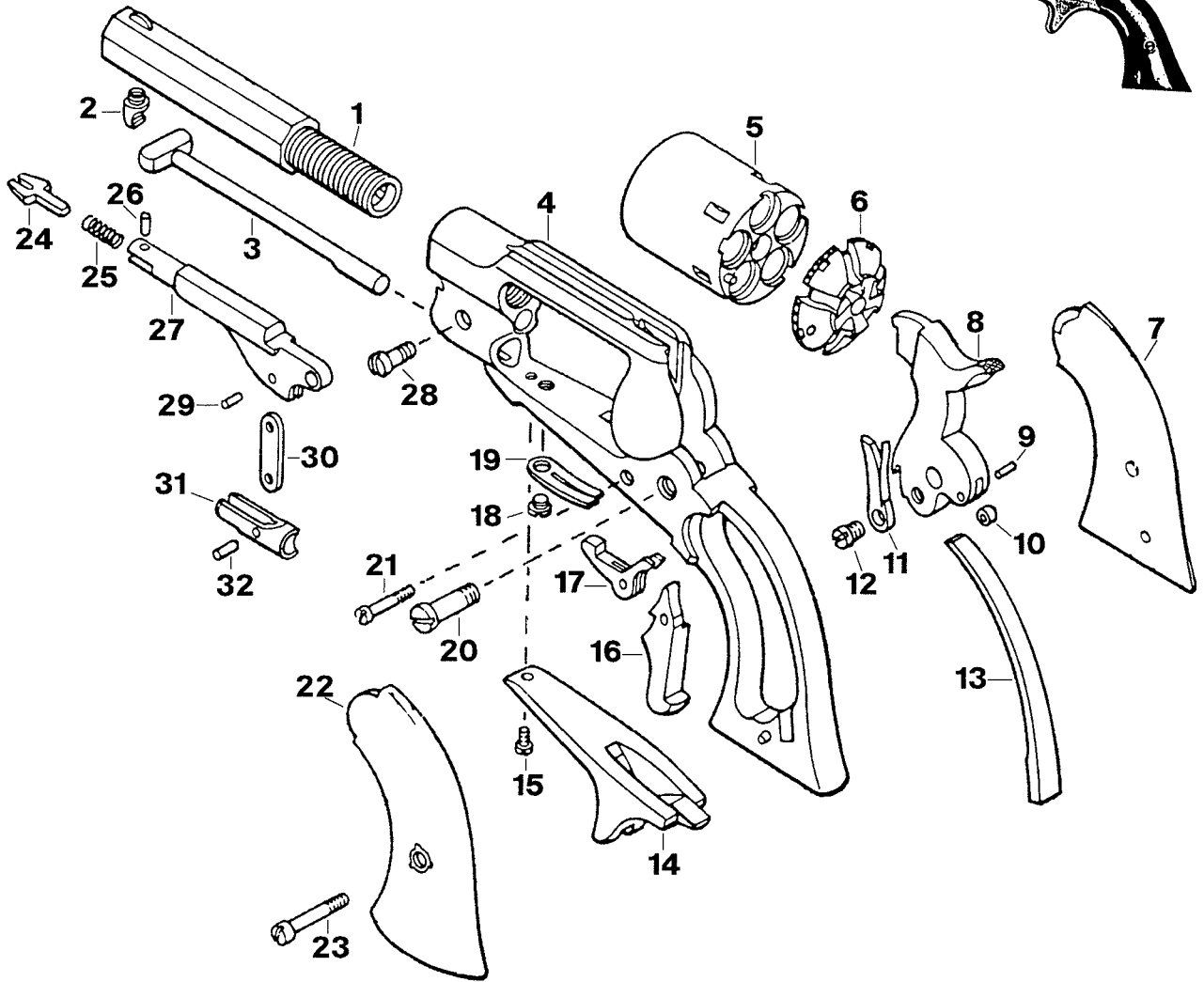
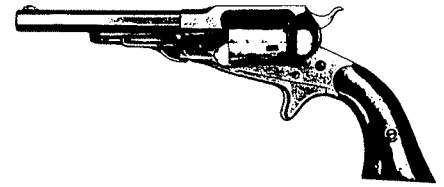
New Model Army 44 Revolver



1	Frame	13	Front Plunger Link Pin	24	Hammer Roll
2	Barrel	14	Plunger Link	25	Hammer Roll Pin
3	Front Sight	15	Rear Plunger Link Pin	26	Hand and Hand Spring
4	Barrel Stud	16	Plunger	27	Hand Screw
5	Cylinder Pin	17	Trigger and Cylinder Stop Spring	28	Grip Screw
6	Cylinder	18	Trigger and Cylinder Stop Spring	29	Grip
7	Nipple		Screw	30	Grip Pin
8	Loading Lever Screw	19	Cylinder Stop	31	Mainspring Set Screw
9	Loading Lever	20	Trigger	32	Mainspring
10	Latch Pin	21	Trigger and Cylinder Stop Screw	33	Trigger Guard
11	Latch	22	Hammer	34	Trigger Guard Screw
12	Latch Spring	23	Hammer Screw		

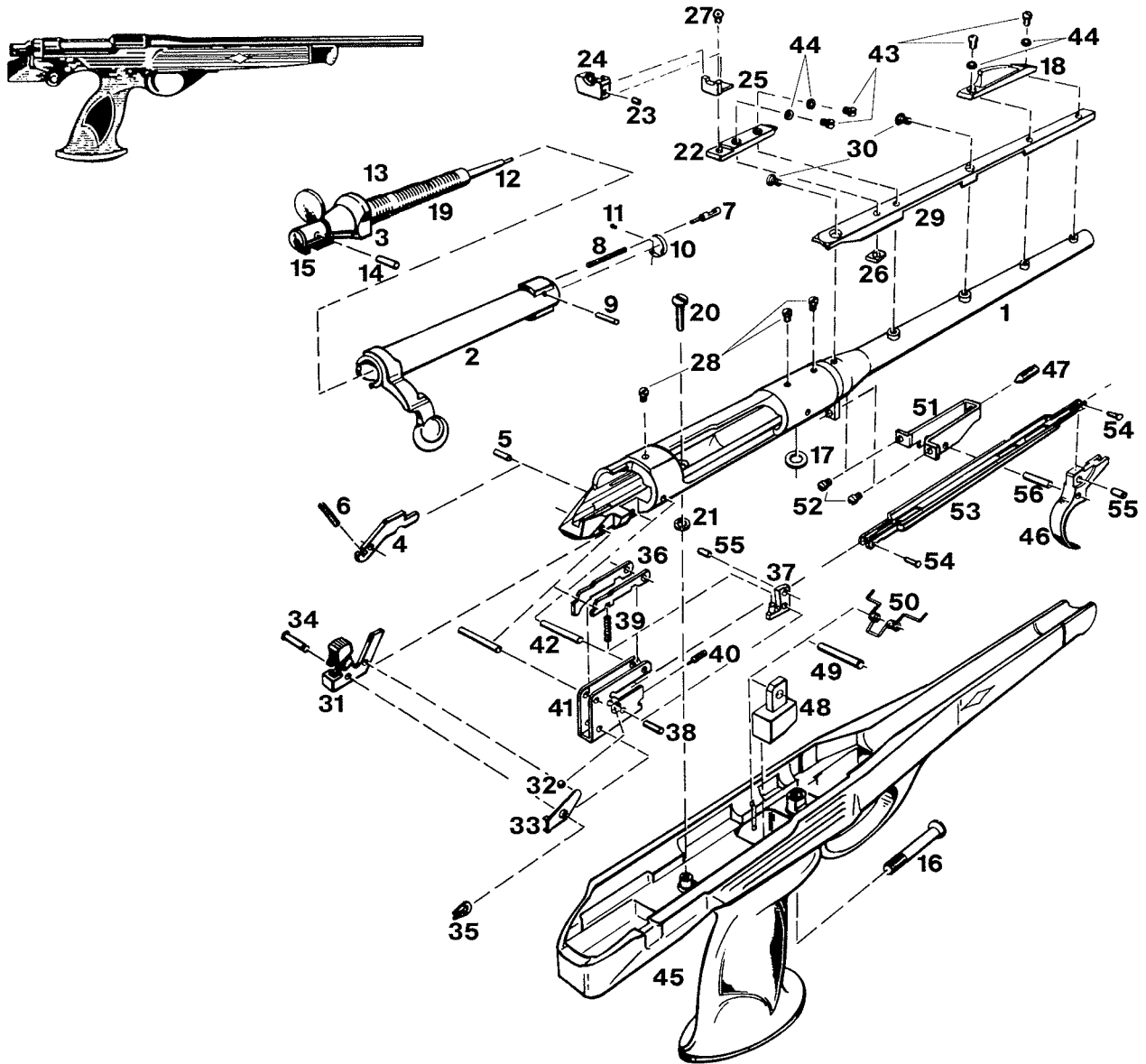
New Model Pocket Revolver

Courtesy of Blacksmith Corporation



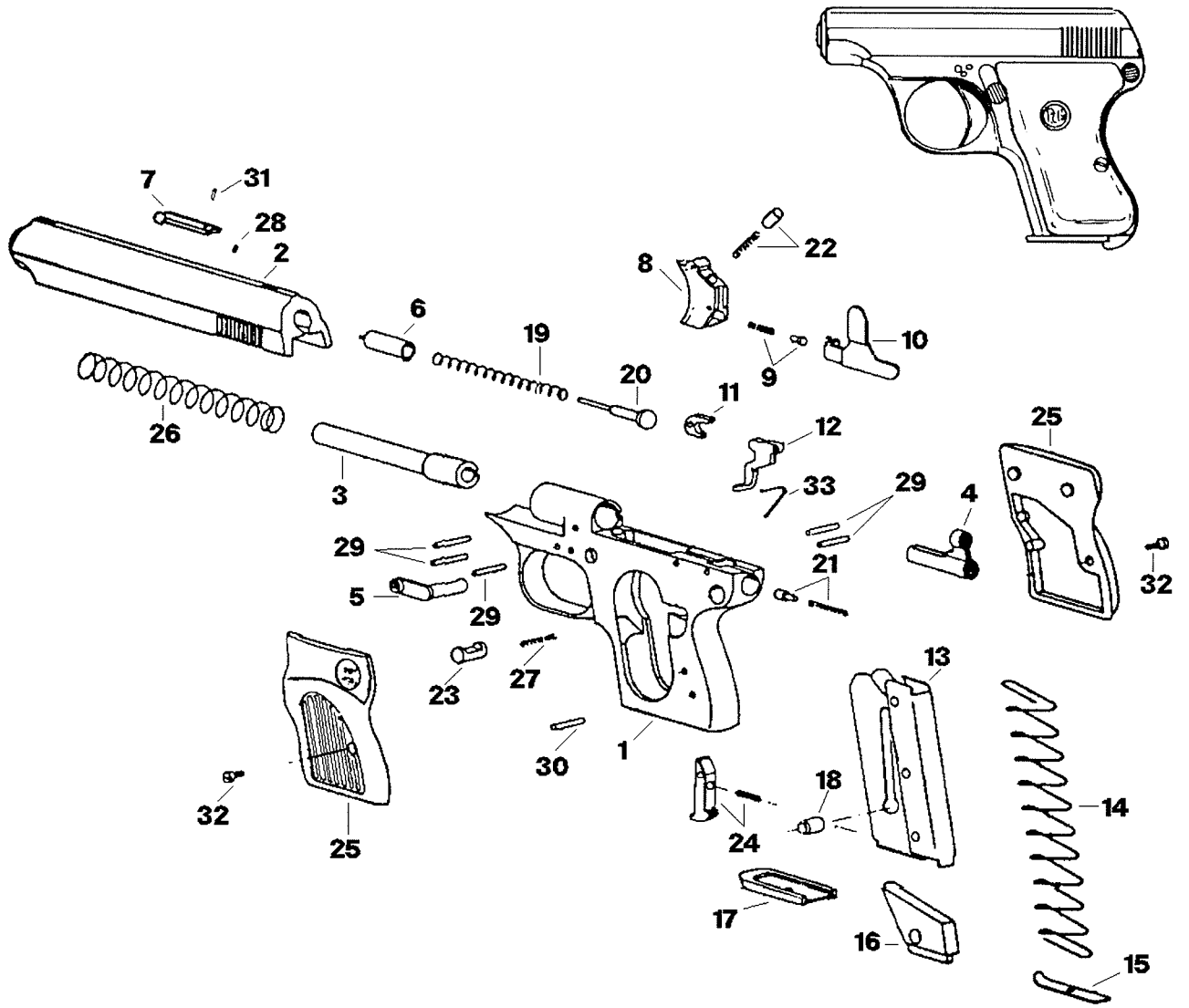
1	Barrel	12	Hand Retaining Screw	23	Grip Screw
2	Rammer Latch	13	Mainspring	24	Loading Lever Latch
3	Cylinder Pin	14	Trigger Guard	25	Latch Spring
4	Frame	15	Trigger Guard Screw	26	Latch Pin
5	Cylinder	16	Trigger	27	Loading Lever
6	Cylinder Backplate	17	Cylinder Stop	28	Lever Screw
7	Right Grip	18	Trigger Spring Screw	29	Lever Link Pin
8	Hammer	19	Trigger Spring	30	Link
9	Roller Pin	20	Hammer Screw	31	Rammer
10	Roller	21	Trigger Screw	32	Rammer Link Pin
11	Hand	22	Left Grip		

XP-100 Bolt Action



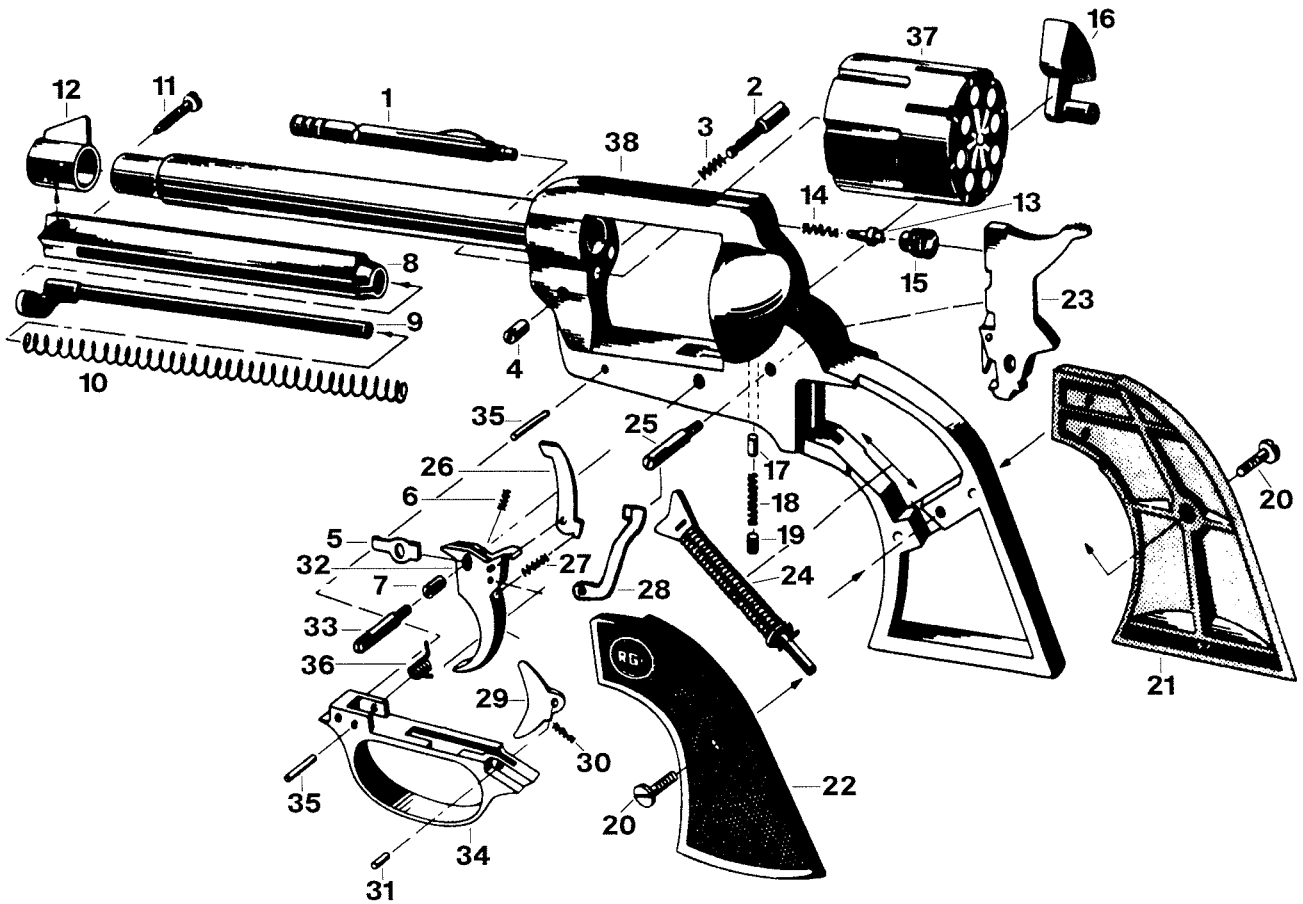
1	Barrel	20	Rear Receiver Screw	39	Sear Block Spring
2	Bolt Assembly	21	Rear Receiver Screw Washer	40	Sear Block Stop Screw
3	Bolt Plug	22	Rear Sight Base	41	Sear Housing
4	Bolt Stop	23	Rear Sight Elevation Screw	42	Sear Pins
5	Bolt Stop Pin	24	Rear Sight Eyepiece	43	Sight Screws
6	Bolt Stop Spring	25	Rear Sight Leaf	44	Sight Washers
7	Ejector	26	Rear Sight Nut	45	Stock Assembly
8	Ejector Spring	27	Rear Sight Windage Screw	46	Trigger
9	Ejector Pin	28	Receiver Plug Screws	47	Trigger Adjustment Screw
10	Extractor	29	Rib	48	Trigger Balance
11	Extractor Rivet	30	Rib Screws	49	Trigger Balance Pin
12	Firing Pin	31	Safety Assembly	50	Trigger Balance Spring
13	Firing Pin Assembly	32	Safety Detent Ball	51	Trigger Housing
14	Firing Pin Cross Pin	33	Safety Detent Spring	52	Trigger Housing Screws
15	Firing Pin Head	34	Safety Pivot Pin	53	Trigger Link
16	Forward Receiver Screw	35	Safety Snap Washer	54	Trigger Link Pins
17	Forward Receiver Screw Washer	36	Sear Safety Cam	55	Trigger Link Roller
18	Front Sight	37	Sear Block Assembly	56	Trigger Pin
19	Mainspring	38	Sear Block Pin		

22 and 25 Auto



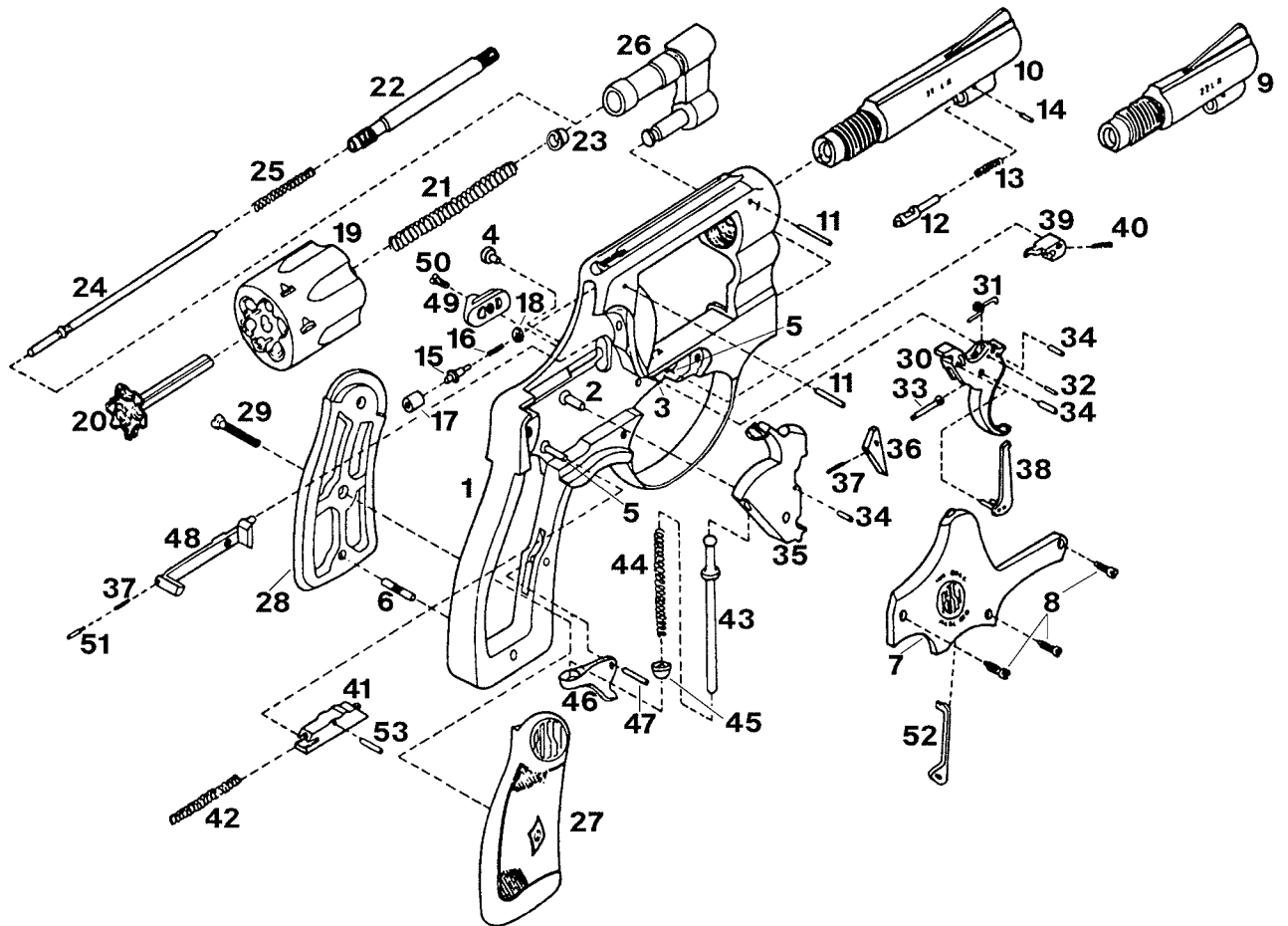
1	Receiver	18	Magazine Follower Thumb-Piece
2	Slide	19	Firing Pin Spring
3	Barrel	20	Firing Pin Follower
4	Hammer	21	Sear Cam Spring and Follower
5	Safety	22	Safety Spring and Follower
6	Firing Pin	23	Disconnecter Button
7	Extractor	24	Magazine Retainer and Spring
8	Trigger	25	Grips
9	Trigger Bar Spring and Plunger	26	Barrel Spring
10	Trigger Bar	27	Disconnecter Button Spring
11	Sear	28	Extractor Spring
12	Sear Cam	29	Dowel Pins
13	Magazine Body	30	Magazine Retainer Pin
14	Magazine Spring	31	Extractor Pin
15	Magazine Base Plate	32	Grip Screws
16	Magazine Follower	33	Sear Spring
17	Magazine Floorplate		

RG 63 Revolver



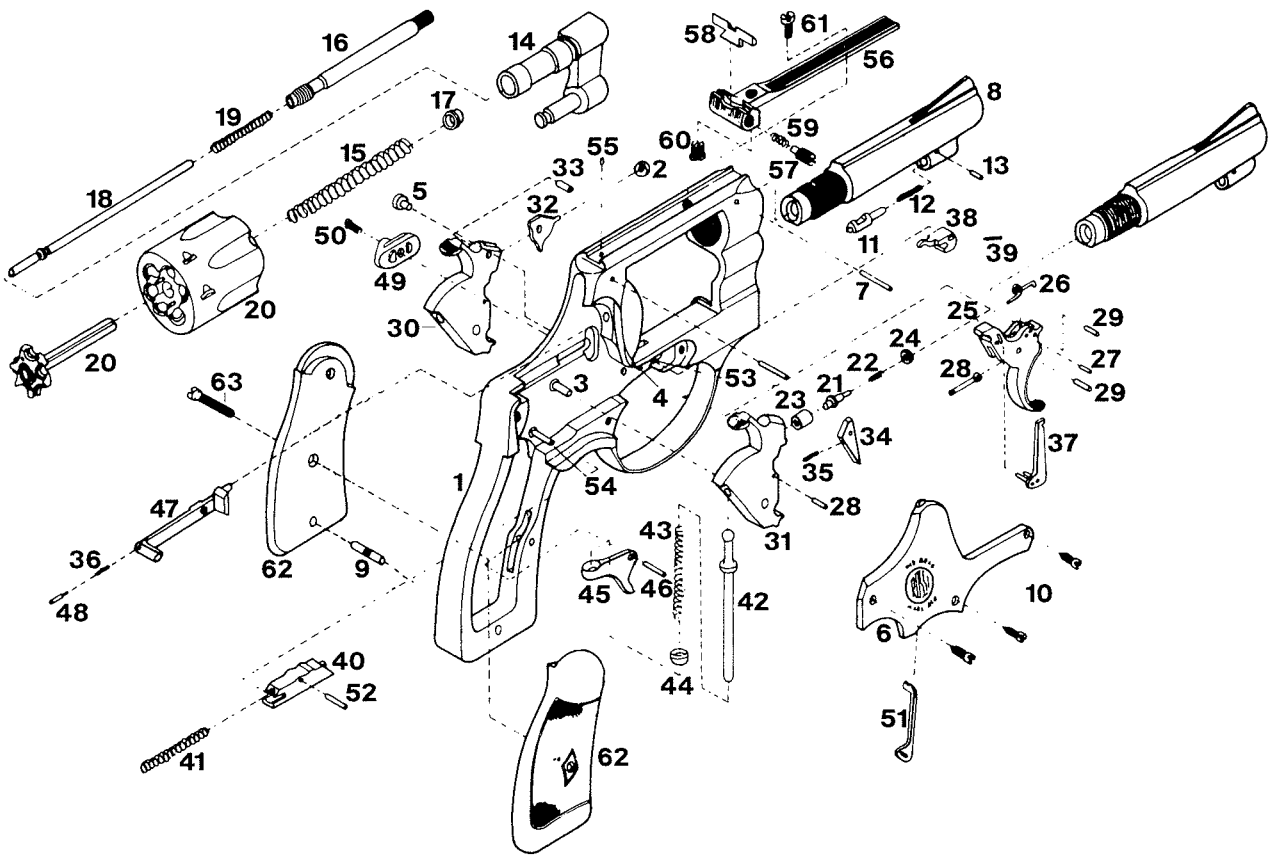
1	Cylinder Pin, Complete	21	Right Grip Plate
2	Attachment Pin	22	Left Grip Plate
3	Pressure Spring	23	Hammer, Complete
4	Slotted Nut	24	Mainspring Assembly
5	Cylinder Stop	25	Hammer Screw
6	Pressure Spring	26	Hand
7	Trigger Bushing	27	Hand Spring
8	Ejector Tube	28	Hammer Safety
9	Ejector Rod	29	Tension Latch
10	Pressure Spring	30	Tension Latch Spring
11	Lens Head Screw	31	Straight Pin
12	Front Sight	32	Trigger
13	Firing Pin	33	Trigger Screw
14	Firing Pin Spring	34	Trigger Guard
15	Firing Pin Sleeve	35	Straight Pin
16	Loading Gate	36	Trigger Spring
17	Straight Pin	37	Cylinder
18	Pressure Spring	38	Frame
19	Threaded Pin		
20	Grip Plate Screws		
		Parts Not Shown	
		Barrel Pin	

22 Senator Revolver



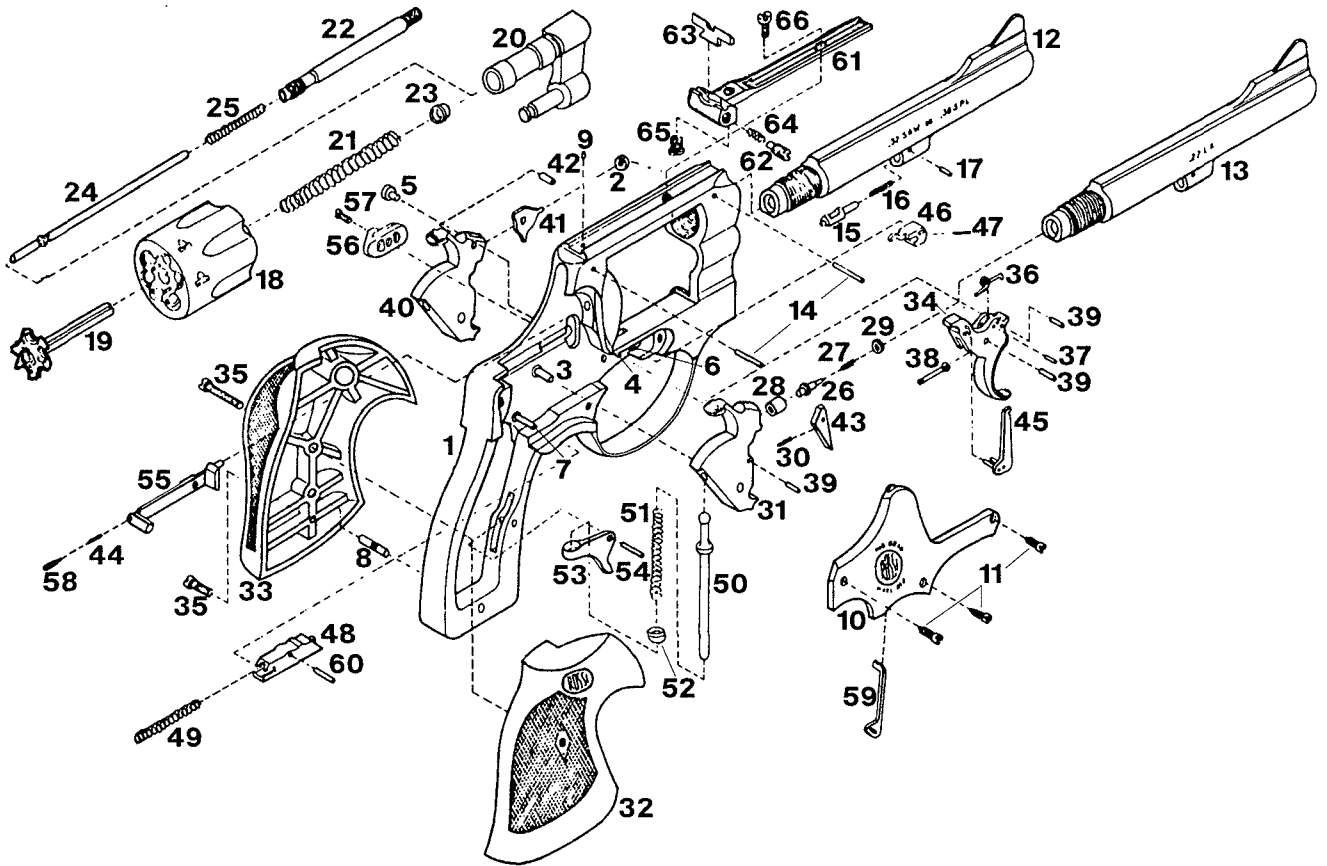
1	Frame with Bushing and Pins	28	Left Grip
2	Hammer Pin	29	Grip Screw
3	Trigger Pin	30	Trigger
4	Frame Lug	31	Hand Lever Spring
5	Cylinder Stop and Rebound Slide Pin	32	Hand Lever Spring Pin
6	Stock Pin	33	Trigger Lever
7	Sideplate	34	Trigger Lever Pins and Sear Spring Pin
8	Sideplate Screws	35	Target Hammer
9	Barrel, 2"	36	Sear
10	Barrel, 3"	37	Sear Spring and Bolt Plunger Spring
11	Barrel Pin and Firing Pin Retainer Pin	38	Hand
12	Locking Bolt	39	Cylinder Stop
13	Locking Bolt Spring	40	Cylinder Stop Spring
14	Locking Bolt Pin	41	Rebound Slide
15	Firing Pin	42	Rebound Slide Spring
16	Firing Pin Spring	43	Mainspring Rod
17	Firing Pin Bushing	44	Mainspring
18	Firing Pin Washer	45	Mainspring Swivel
19	Cylinder	46	Mainspring Stop
20	Extractor	47	Mainspring Stop Pin
21	Extractor Spring	48	Bolt
22	Extractor Rod	49	Thumb-Piece
23	Extractor Collar	50	Thumb-Piece Screw
24	Center Pin	51	Bolt Plunger
25	Center Pin Spring	52	Hammer Block
26	Yoke (Crane)	53	Hammer Block Pin
27	Right Grip		

Model 68, 69, 70 and 31 Revolver



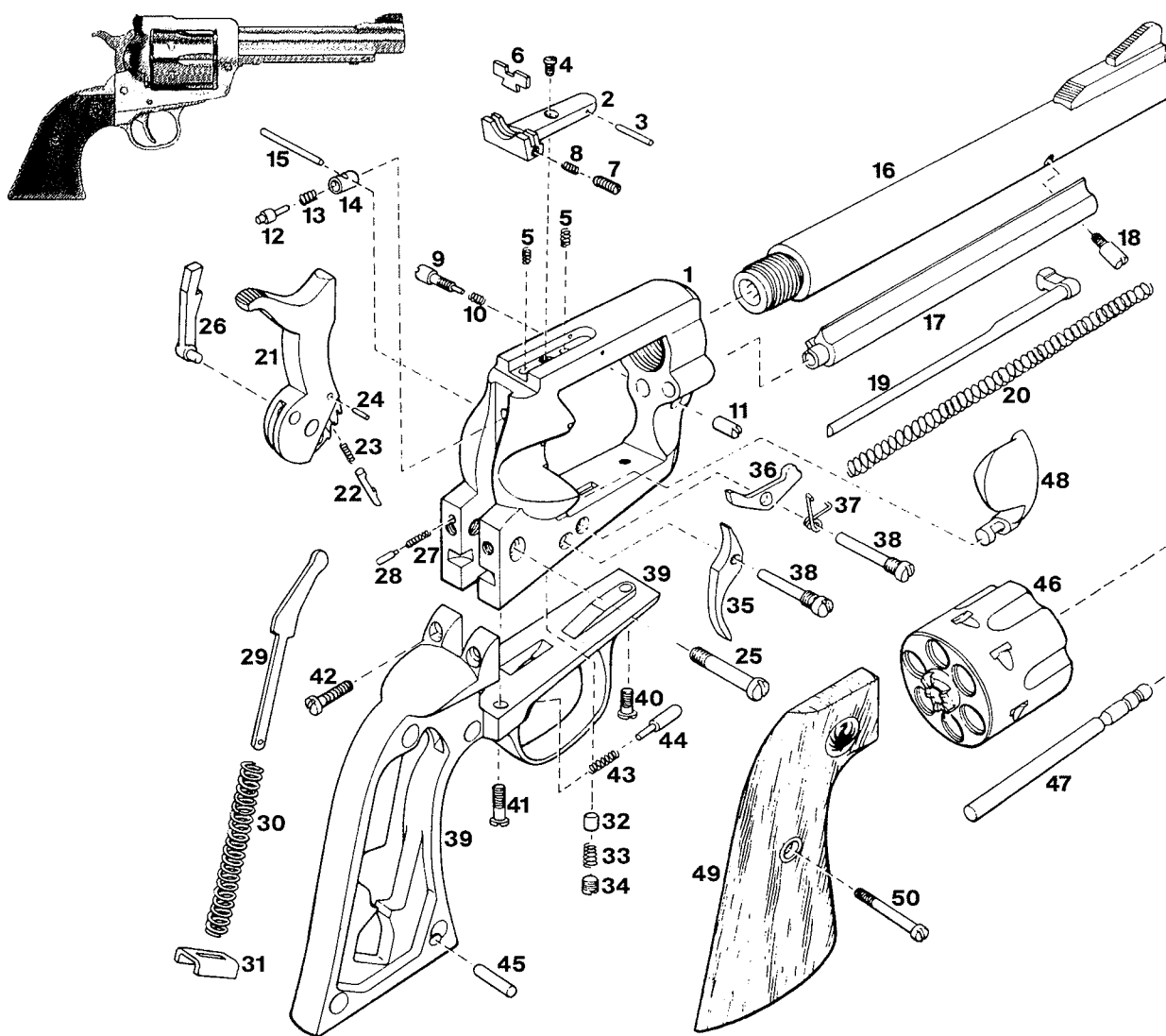
1	Frame	22	Firing Pin Spring	43	Mainspring
2	Hammer Nose Bushing	23	Firing Pin Bushing	44	Mainspring Swivel
3	Hammer Pin	24	Firing Pin Washer	45	Mainspring Stop
4	Trigger Pin	25	Trigger	46	Mainspring Stop Pin
5	Frame Lug	26	Hand Lever Spring	47	Bolt
6	Sideplate	27	Hand Lever Spring Pin	48	Bolt Plunger
7	Barrel Pin	28	Trigger Lever	49	Thumb-Piece
8	Barrel	29	Trigger Lever Pins	50	Thumb-Piece Screw
9	Stock Pin	30	Target Hammer	51	Hammer Block
10	Plate Screws	31	Standard Hammer	52	Hammer Block Pin
11	Locking Bolt	32	Hammer Nose	53	Cylinder Stop Pin
12	Locking Bolt Spring	33	Hammer Nose Rivet	54	Rebound Slide Pin
13	Locking Bolt Pin	34	Sear	55	Elevation Screw Pin
14	Yoke (Crane)	35	Sear Spring	56	Rear Sight Base
15	Extractor Spring	36	Bolt Spring	57	Rear Sight Windage Screw
16	Extractor Rod	37	Hand	58	Rear Sight Leaf
17	Extractor Collar	38	Cylinder Stop	59	Rear Sight Windage Spring
18	Center Pin	39	Cylinder Stop Spring	60	Rear Sight Elevation Screw
19	Center Pin Spring	40	Rebound Slide	61	Rear Sight Lock Screw
20	Cylinder with Extractor and Pins	41	Rebound Slide Spring	62	Grips
21	Firing Pin	42	Mainspring Rod	63	Grip Screw

Target Revolver



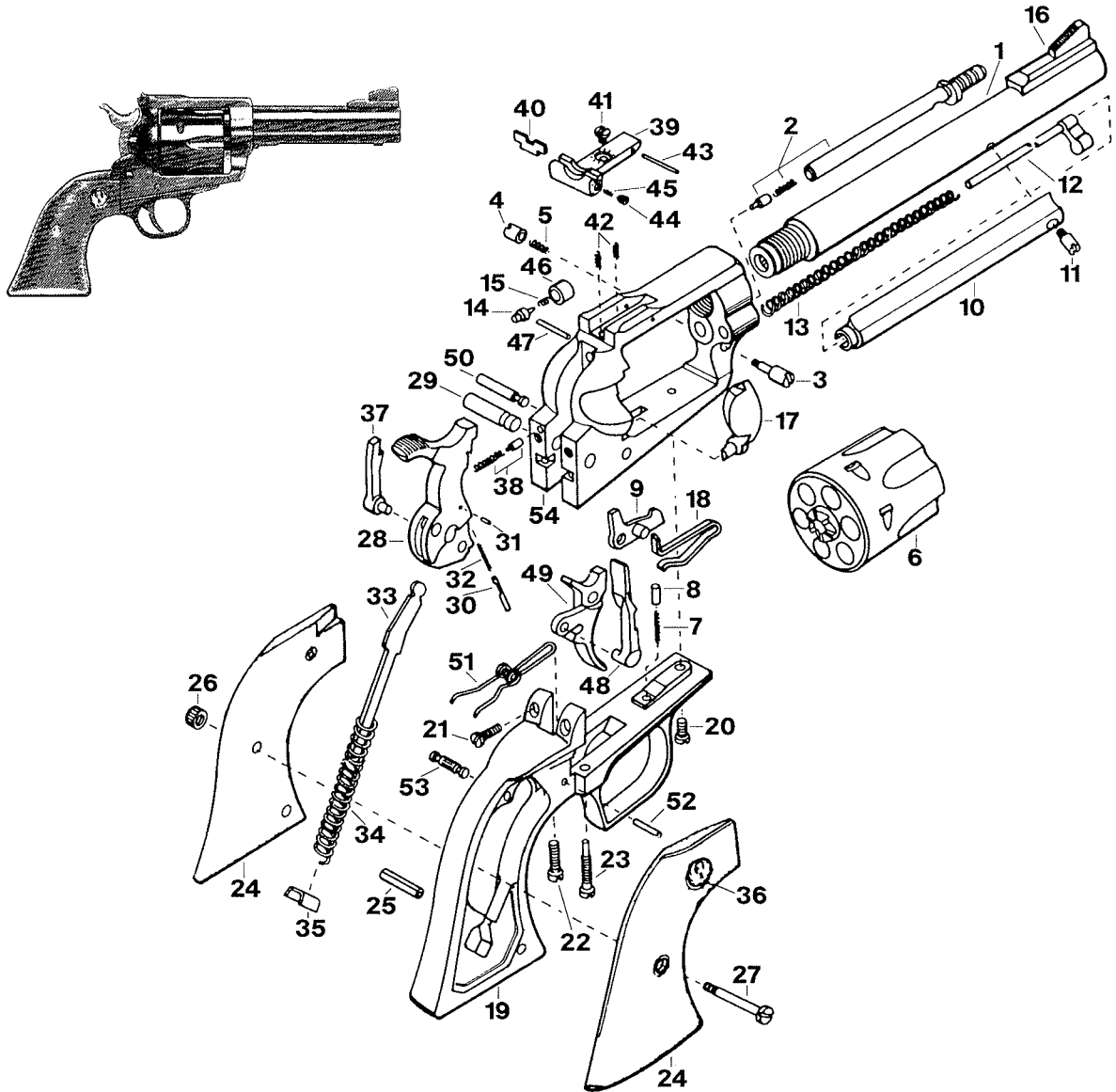
1	Frame with Bushing and Pins	23	Extractor Collar	45	Hand
2	Hammer Nose Bushing	24	Center Pin	46	Cylinder Stop
3	Hammer Pin	25	Center Pin Spring	47	Cylinder Stop Spring
4	Trigger Pin	26	Firing Pin	48	Rebound Slide
5	Frame Lug	27	Firing Pin Spring	49	Rebound Slide Spring
6	Cylinder Stop Pin	28	Firing Pin Bushing	50	Mainspring Rod
7	Rebound Slide Pin	29	Firing Pin Washer	51	Mainspring
8	Stock Pin	30	Sear Spring	52	Mainspring Swivel
9	Elevation Screw Pin	31	Target Hammer (Rimfire)	53	Mainspring Stop
10	Sideplate	32	Right Grip	54	Mainspring Stop Pin
11	Sideplate Screws	33	Left Grip	55	Bolt
12	Barrel 38	34	Trigger	56	Thumb-Piece
13	Barrel 22	35	Grip Screw	57	Thumb-Piece Screw
14	Barrel Pins	36	Hand Lever Spring	58	Bolt Plunger
15	Locking Bolt	37	Hand Lever Spring Pin	59	Hammer Block
16	Locking Bolt Spring	38	Trigger Lever	60	Hammer Block Pin
17	Locking Bolt Pin	39	Trigger Lever Pins	61	Rear Sight Base
18	Cylinder	40	Target Hammer (Centerfire)	62	Rear Sight Windage Screw
19	Extractor	41	Hammer Nose	63	Rear Sight Leaf
20	Yoke (Crane)	42	Hammer Nose Rivet	64	Rear Sight Spring
21	Extractor Spring	43	Sear	65	Rear Sight Elevation Screw
22	Extractor Rod	44	Bolt Plunger Spring	66	Rear Sight Lock Screw

44 Magnum Blackhawk Revolver



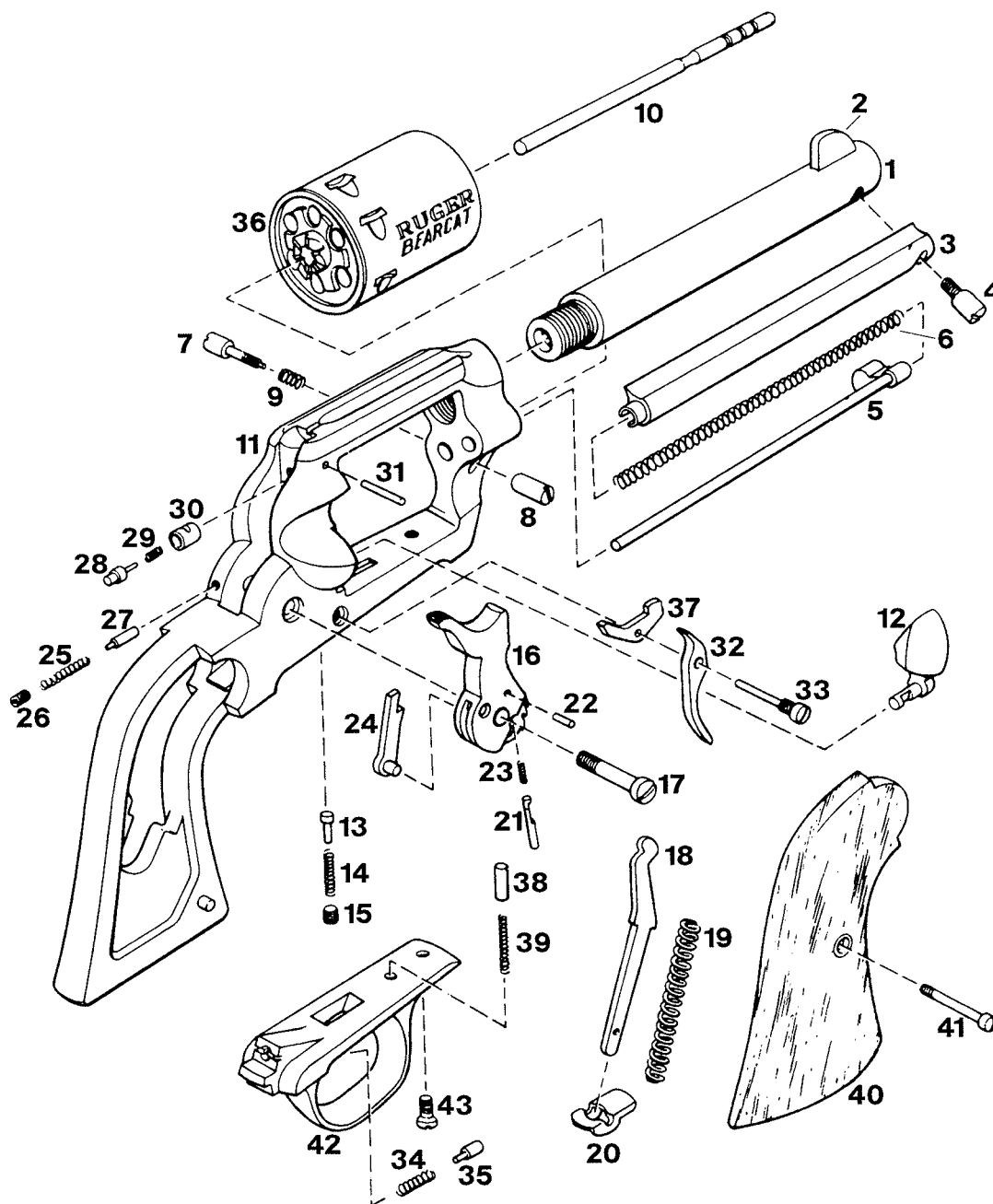
1	Cylinder Frame	18	Ejector Housing Screw	35	Trigger
2	Rear Sight	19	Ejector Rod Assembly	36	Cylinder Latch
3	Rear Sight Pivot Pin	20	Ejector Spring	37	Cylinder Latch Spring
4	Rear Sight Elevation Screw	21	Hammer	38	Trigger and Latch Pivot Screws
5	Rear Sight Elevation Springs	22	Hammer Plunger	39	Grip Frame
6	Rear Sight Leaf	23	Hammer Plunger Spring	40	Front Grip Frame Screw
7	Rear Sight Leaf Screw	24	Hammer Plunger Retaining Pin	41	Lower Grip Frame Screws
8	Rear Sight Leaf Spring	25	Hammer Pivot Screw	42	Rear Grip Frame Screws
9	Base Pin Latch	26	Pawl	43	Trigger Spring
10	Base Pin Latch Spring	27	Pawl Spring	44	Trigger Spring Plunger
11	Base Pin Latch Nut	28	Pawl Spring Plunger	45	Grip Pin
12	Firing Pin	29	Hammer Strut	46	Cylinder
13	Firing Pin Spring	30	Mainspring	47	Base Pin
14	Recoil Plate	31	Mainspring Seat	48	Gate
15	Recoil Plate Retaining Pin	32	Gate Detent Plunger	49	Grip Panels
16	Barrel	33	Gate Detent Plunger Spring	50	Grip Screw
17	Ejector Housing	34	Gate Detent Plunger Screw		

357 Maximum Blackhawk



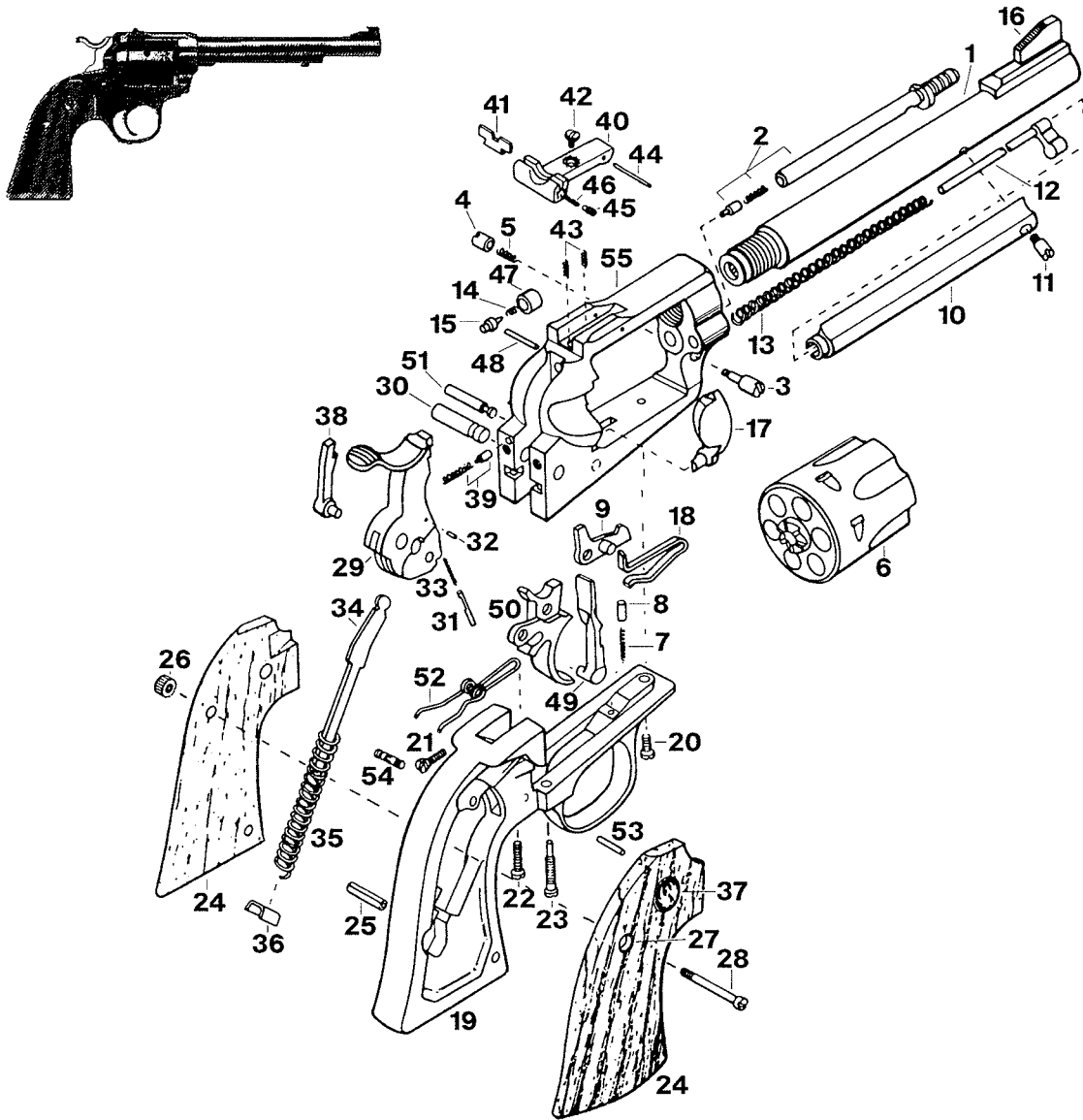
1	Barrel	20	Grip Frame Screw, Front	39	Rear Sight Assembly
2	Base Pin Assembly	21	Grip Frame Screw, Top	40	Rear Sight Blade
3	Base Pin Latch	22	Grip Frame Screw, Bottom	41	Rear Sight Elevation Screw
4	Base Pin Latch Nut	23	Grip Frame Screw and Pivot Lock	42	Rear Sight Elevation Springs
5	Base Pin Latch Spring	24	Grip Panels, Complete	43	Rear Sight Pivot Pin
6	Cylinder	25	Grip Panel Dowel	44	Rear Sight Windage Adjusting Screw
7	Cylinder Latch Spring	26	Grip Panel Ferrule, Left	45	Rear Sight Windage Spring
8	Cylinder Latch Spring Plunger	27	Grip Panel Screw	46	Recoil Plate
9	Cylinder Latch	28	Hammer Assembly	47	Recoil Plate Cross Pin
10	Ejector Housing	29	Hammer Pivot	48	Transfer Bar
11	Ejector Housing Screw	30	Hammer Plunger	49	Trigger
12	Ejector Rod	31	Hammer Plunger Pin	50	Trigger Pivot
13	Ejector Rod Spring	32	Hammer Plunger Spring	51	Trigger Spring
14	Firing Pin	33	Hammer Strut	52	Trigger Spring Pin
15	Firing Pin Rebound Spring	34	Mainspring	53	Trigger Spring Retaining Pin
16	Front Sight	35	Mainspring Seat	54	Frame
17	Gate	36	Medallion	Parts Not Shown	
18	Gate Detent Spring	37	Pawl		Grip Panel Ferrule, Right
19	Grip Frame	38	Pawl Spring and Plunger		Rear Sight Detent Ball

Bearcat 22 Revolver



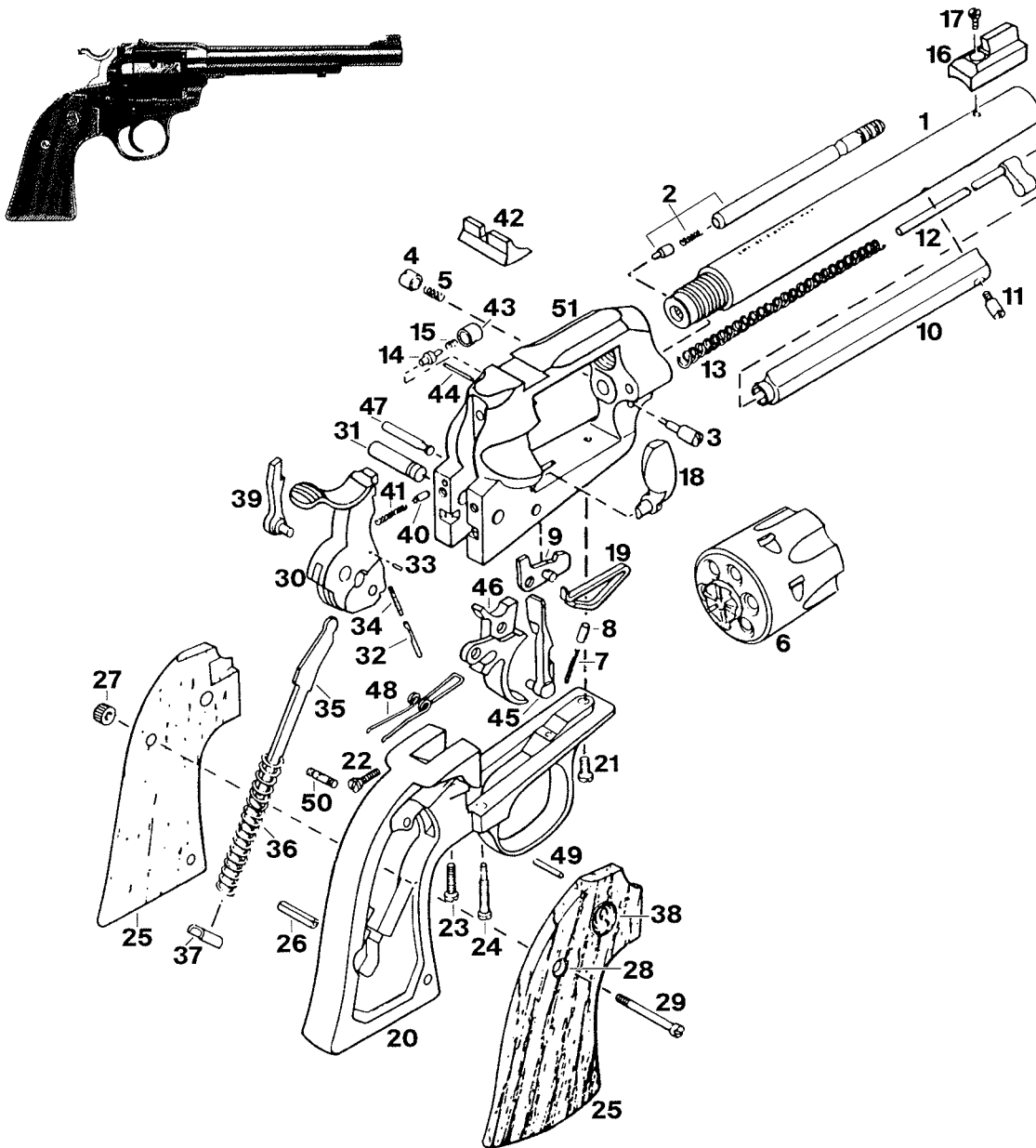
1	Barrel	16	Hammer	31	Recoil Plate Cross Pin
2	Front Sight	17	Hammer Pivot	32	Trigger
3	Ejector Housing	18	Hammer Strut	33	Trigger Pivot
4	Ejector Housing Screw	19	Hammer Spring	34	Trigger Spring
5	Ejector Rod Assembly	20	Hammer Spring Seat	35	Trigger Spring Plunger
6	Ejector Spring	21	Hammer Plunger	36	Cylinder
7	Base Pin Latch Body	22	Hammer Plunger Pin	37	Cylinder Latch
8	Base Pin Latch Nut	23	Hammer Plunger Spring	38	Cylinder Latch Plunger
9	Base Pin Latch Spring	24	Pawl	39	Cylinder Latch Spring
10	Base Pin	25	Pawl Spring	40	Grip Panel
11	Frame	26	Pawl Screw	41	Grip Panel Screw
12	Gate Assembly	27	Pawl Spring Plunger	42	Trigger Guard
13	Gate Detent Plunger	28	Firing Pin	43	Trigger Guard Screw
14	Gate Detent Spring	29	Firing Pin Rebound Spring		
15	Gate Retaining Screw	30	Recoil Plate		

Bisley Revolver



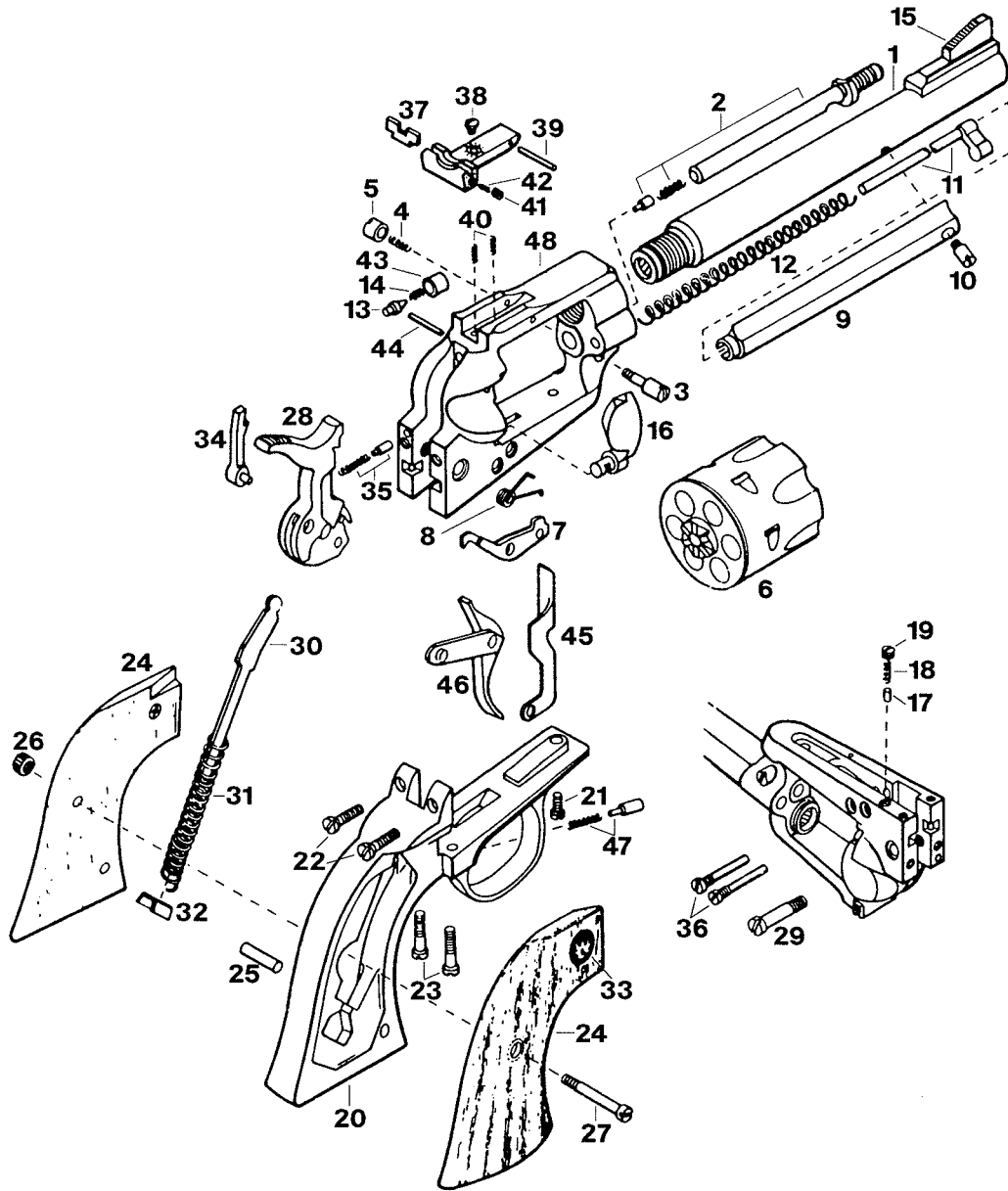
1	Barrel	20	Grip Frame Screw, Front	39	Pawl Spring and Plunger
2	Base Pin Assembly	21	Grip Frame Screw, Back	40	Rear Sight Assembly, Complete
3	Base Pin Latch	22	Grip Frame Screw, Bottom	41	Rear Sight Blade
4	Base Pin Latch Nut	23	Grip Frame Screw and Pivot Lock	42	Rear Sight Elevation Screw
5	Base Pin Latch Spring	24	Grip Panels	43	Rear Sight Elevation Springs
6	Cylinder	25	Grip Panel Dowel	44	Rear Sight Pivot Pin
7	Cylinder Latch Spring	26	Grip Panel Ferrule, Left	45	Rear Sight Windage Adjusting Screw
8	Cylinder Latch Spring Plunger	27	Grip Panel Ferrule, Right	46	Rear Sight Windage Spring
9	Cylinder Latch	28	Grip Panel Screw	47	Recoil Plate
10	Ejector Housing	29	Hammer Assembly	48	Recoil Plate Cross Pin
11	Ejector Housing Screw	30	Hammer Pivot	49	Transfer Bar
12	Ejector Rod Assembly	31	Hammer Plunger	50	Trigger
13	Ejector Rod Spring	32	Hammer Plunger Pin	51	Trigger Pivot
14	Firing Pin Rebound Spring	33	Hammer Plunger Spring	52	Trigger Spring
15	Firing Pin	34	Hammer Strut	53	Trigger Spring Pin
16	Front Sight	35	Mainspring	54	Trigger Spring Retaining Pin
17	Gate	36	Mainspring Seat	55	Frame
18	Gate Detent Spring	37	Medallion		
19	Grip Frame	38	Pawl		
				Parts Not Shown	
					Rear Sight Detent Ball

Bisley Rimfire Revolver



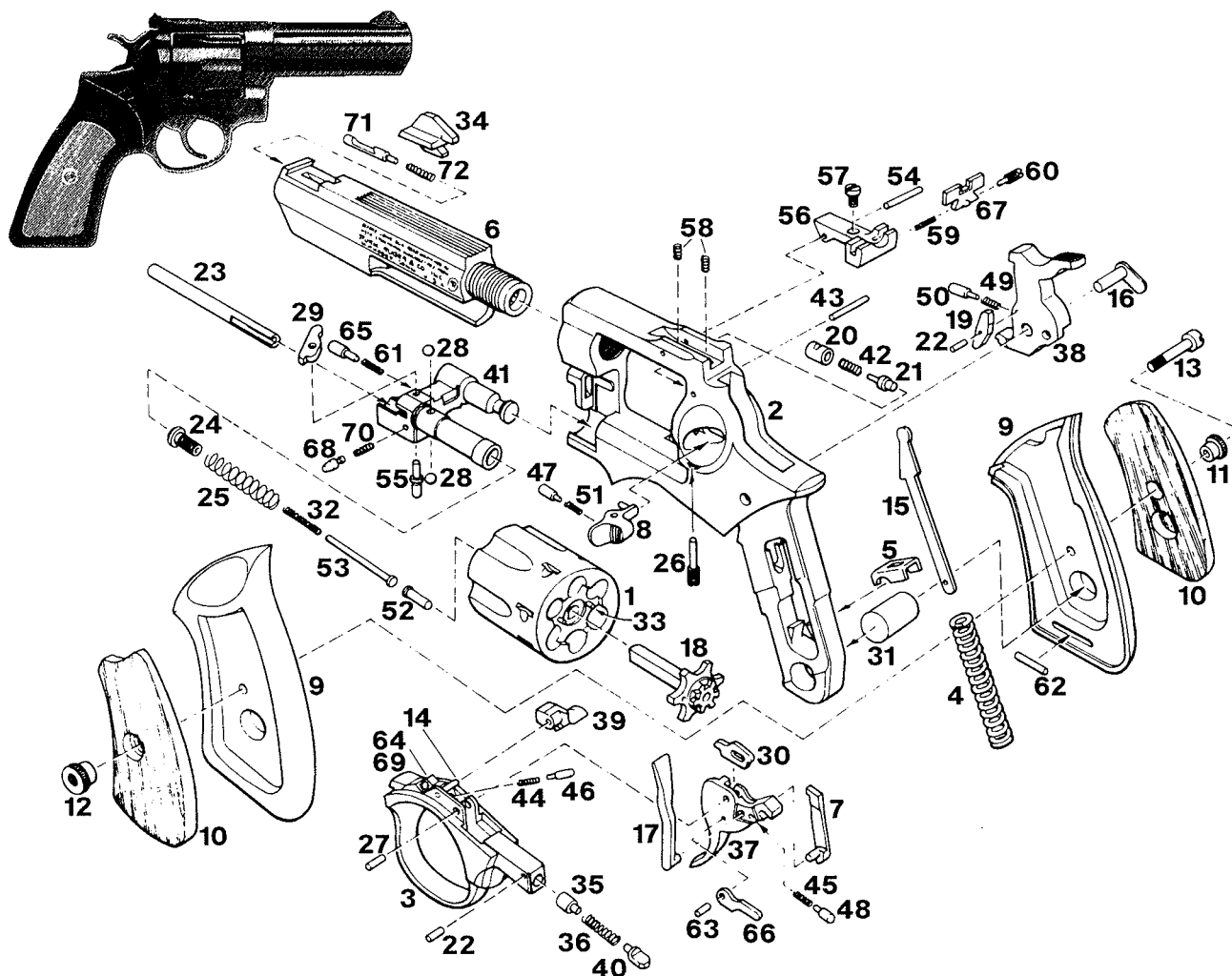
1	Barrel	18	Gate	35	Hammer Strut
2	Base Pin Assembly	19	Gate Detent Spring	36	Mainspring
3	Base Pin Latch	20	Grip Frame	37	Mainspring Seat
4	Base Pin Latch Nut	21	Grip Frame Screw, Front	38	Medallion
5	Base Pin Latch Spring	22	Grip Frame Screw, Back	39	Pawl
6	Cylinder	23	Grip Frame Screw, Bottom	40	Pawl Plunger
7	Cylinder Latch Spring	24	Grip Frame Screw and Pivot Lock	41	Pawl Plunger Spring
8	Cylinder Latch Spring Plunger	25	Grip Panels, Complete	42	Rear Sight
9	Cylinder Latch	26	Grip Panel Dowel	43	Recoil Plate
10	Ejector Housing	27	Grip Panel Ferrule, Left	44	Recoil Plate Cross Pin
11	Ejector Housing Screw	28	Grip Panel Ferrule, Right	45	Transfer Bar
12	Ejector Rod Assembly	29	Grip Panel Screw	46	Trigger
13	Ejector Rod Spring	30	Hammer Assembly	47	Trigger Pivot
14	Firing Pin	31	Hammer Pivot	48	Trigger Spring
15	Firing Pin Rebound Spring	32	Hammer Plunger	49	Trigger Spring Pin
16	Front Sight	33	Hammer Plunger Pin	50	Trigger Spring Retaining Pin
17	Front Sight Screw	34	Hammer Plunger Spring	51	Frame

Blackhawk and Super Blackhawk Revolver



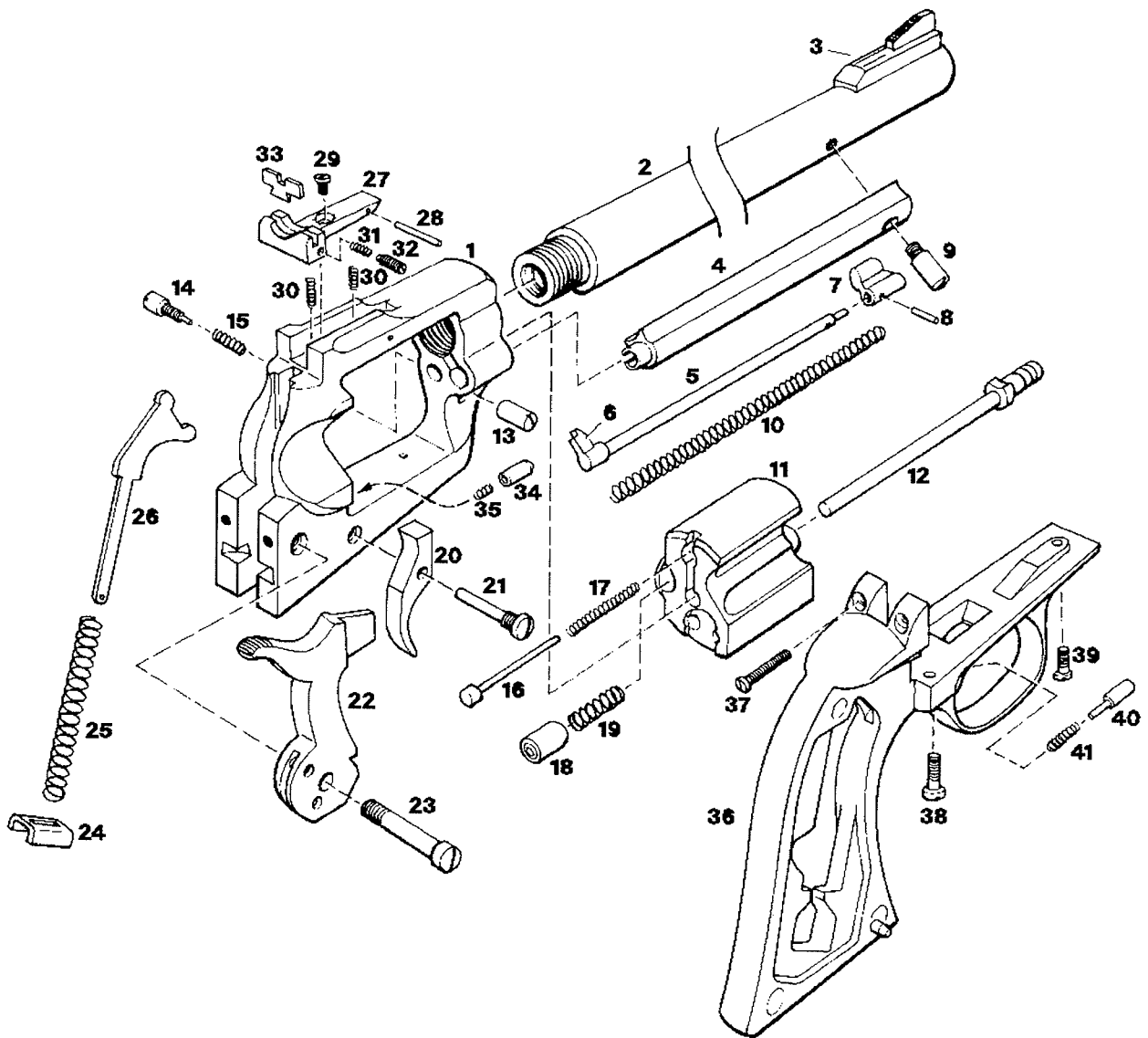
1	Barrel	18	Gate Detent Spring	35	Pawl Spring and Plunger
2	Base Pin Assembly	19	Gate Spring Screw	36	Pivot Screws
3	Base Pin Latch	20	Grip Frame	37	Rear Sight Blade
4	Base Pin Latch Spring	21	Grip Frame Screw, Front	38	Rear Sight Elevation Screw
5	Base Pin Nut	22	Grip Frame Screws, Back	39	Rear Sight Pivot Pin
6	Cylinder	23	Grip Frame Screws, Bottom	40	Rear Sight Springs
7	Cylinder Latch	24	Grip Panels	41	Rear Sight Windage Adjusting<R>Screw
8	Cylinder Latch Spring	25	Grip Panel Dowel	42	Rear Sight Windage Spring
9	Ejector Housing	26	Grip Panel Ferrule, Left	43	Recoil Plate
10	Ejector Housing Screw	27	Grip Panel Screw	44	Recoil Plate Cross Pin
11	Ejector Rod Assembly	28	Hammer	45	Transfer Bar
12	Ejector Spring	29	Hammer Pivot	46	Trigger
13	Firing Pin	30	Hammer Strut	47	Trigger Spring and Plunger
14	Firing Pin Rebound Spring	31	Mainspring	48	Frame
15	Front Sight	32	Mainspring Seat	Parts Not Shown	
16	Gate Assembly	33	Medallion	Grip Panel Ferrule, Right	
17	Gate Detent Plunger	34	Pawl		

GP-100 Revolver



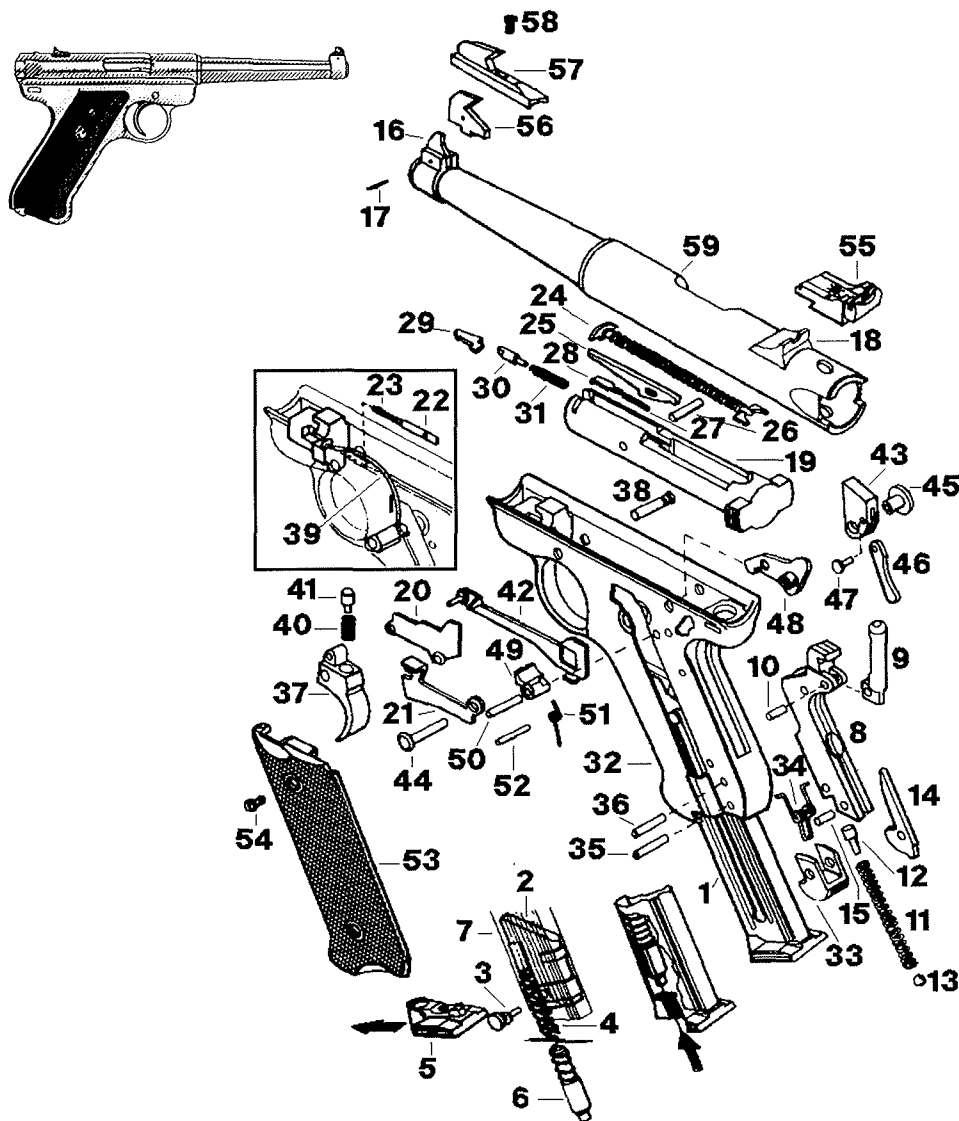
1	Cylinder	25	Ejector Spring	50	Hammer Dog Spring Plunger
2	Frame	26	Crane Latch Pivot	51	Crane Latch Spring
3	Trigger Guard	27	Trigger Pivot Pin	52	Center Pin Lock
4	Mainspring	28	Cylinder Retaining Balls	53	Center Pin Rod
5	Mainspring Seat	29	Front Latch	54	Rear Sight Cross Pin
6	Barrel	30	Trigger Plunger	55	Front Latch Pivot Pin
7	Pawl	31	Grip Panel Locator	56	Rear Sight Base
8	Crane Latch	32	Center Pin Spring	57	Rear Sight Elevation Screw
9	Grip Panels	33	Ejector Alignment Pins	58	Rear Sight Elevation Springs
10	Panel Inserts	34	Front Sight	59	Rear Sight Windage Spring
11	Grip Ferrule, Right	35	Trigger Link Plunger	60	Rear Sight Windage Adjustment Screw
12	Grip Ferrule, Left	36	Trigger Guard Latch Spring	61	Front Latch Spring
13	Grip Panel Screw	37	Trigger	62	Disassembly Pin
14	Cylinder Latch Pivot	38	Hammer	63	Trigger Link Pin
15	Hammer Strut	39	Cylinder Latch	64	Crane Pivot Lock Plunger
16	Hammer Pivot Assembly	40	Trigger Guard Latch	65	Front Latch Spring Plunger
17	Transfer Bar	41	Crane and Crane Pivot Assembly	66	Trigger Link
18	Ejector	42	Firing Pin Rebound Spring	67	Rear Sight Blade
19	Hammer Dog	43	Recoil Plate Cross Pin	68	Front Latch Pivot Lock
20	Recoil Plate	44	Cylinder Latch Spring	69	Crane Pivot Lock Spring
21	Firing Pin	45	Pawl Plunger Spring	70	Front Latch Pivot Lock Spring
22	Hammer Dog Pivot Pin and Trigger Guard Latch Pin	46	Cylinder Latch Plunger	71	Front Sight Plunger
23	Ejector Rod	47	Crane Latch Spring Plunger	72	Front Sight Plunger Spring
24	Ejector Retainer	48	Pawl Plunger		
		49	Hammer Dog Spring		

Hawkeye



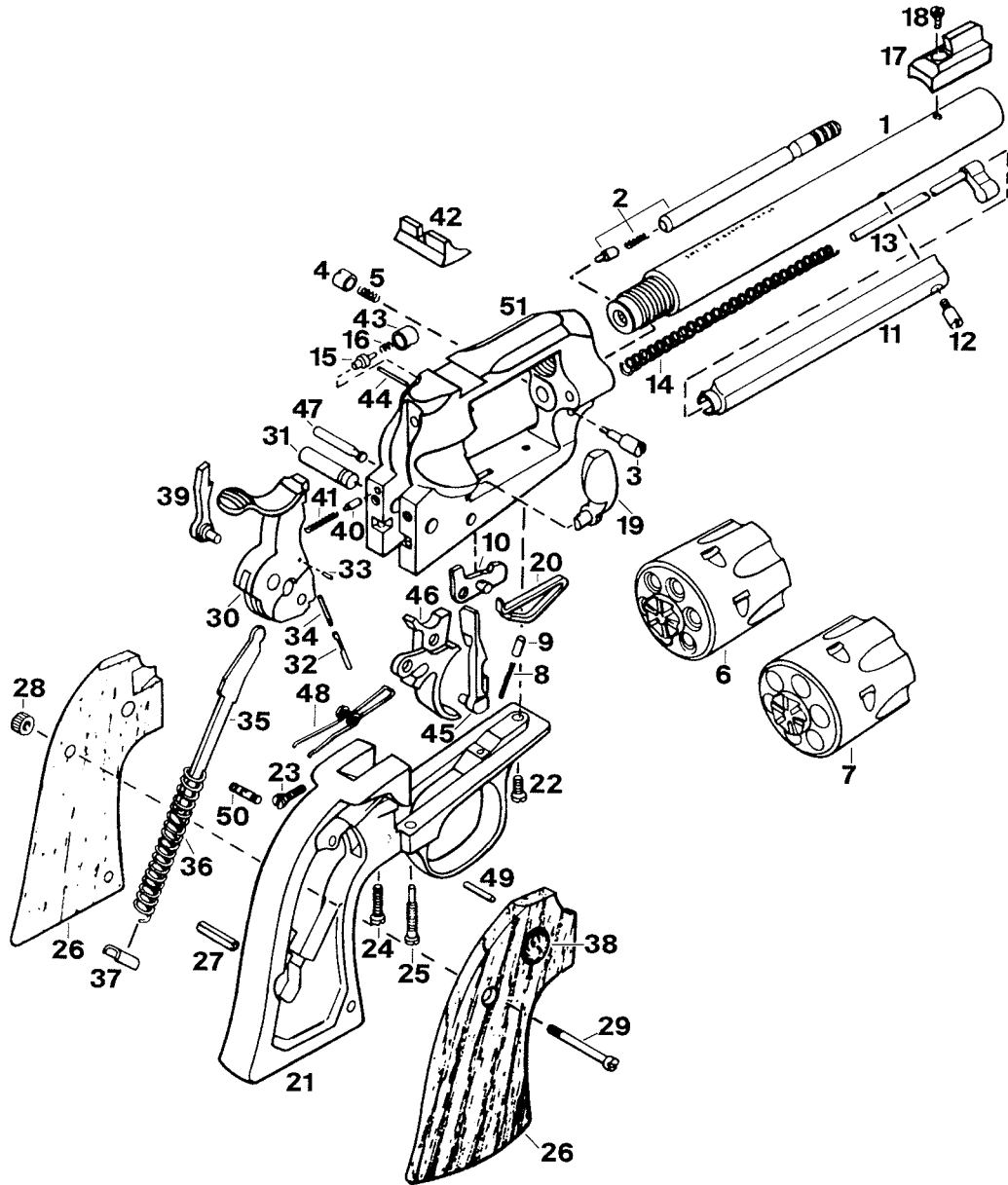
1	Frame	15	Base Pin Latch Spring	29	Elevating Screw
2	Barrel	16	Firing Pin	30	Elevating Springs
3	Front Sight	17	Firing Pin Spring	31	Windage Spring
4	Ejector Housing	18	Breechblock Lock Plunger	32	Windage Screw
5	Ejector Rod	19	Lock Plunger Spring	33	Rear Sight Leaf
6	Ejector	20	Trigger	34	Detent Plunger
7	Ejector Thumb-Piece	21	Trigger Screw	35	Detent Plunger Spring
8	Ejector Thumb-Piece Pin	22	Hammer	36	Grip Frame
9	Ejector Housing Screw	23	Hammer Screw	37	Rear Grip Frame Screws
10	Ejector Spring	24	Mainspring Seat	38	Lower Grip Frame Screws
11	Breechblock	25	Mainspring	39	Front Grip Frame Screw
12	Base Pin	26	Hammer Strut	40	Trigger Spring Plunger
13	Base Pin Latch Nut	27	Rear Sight Assembly	41	Trigger Spring
14	Base Pin Latch	28	Rear Sight Pivot Pin		

Mark II Standard and Target Auto



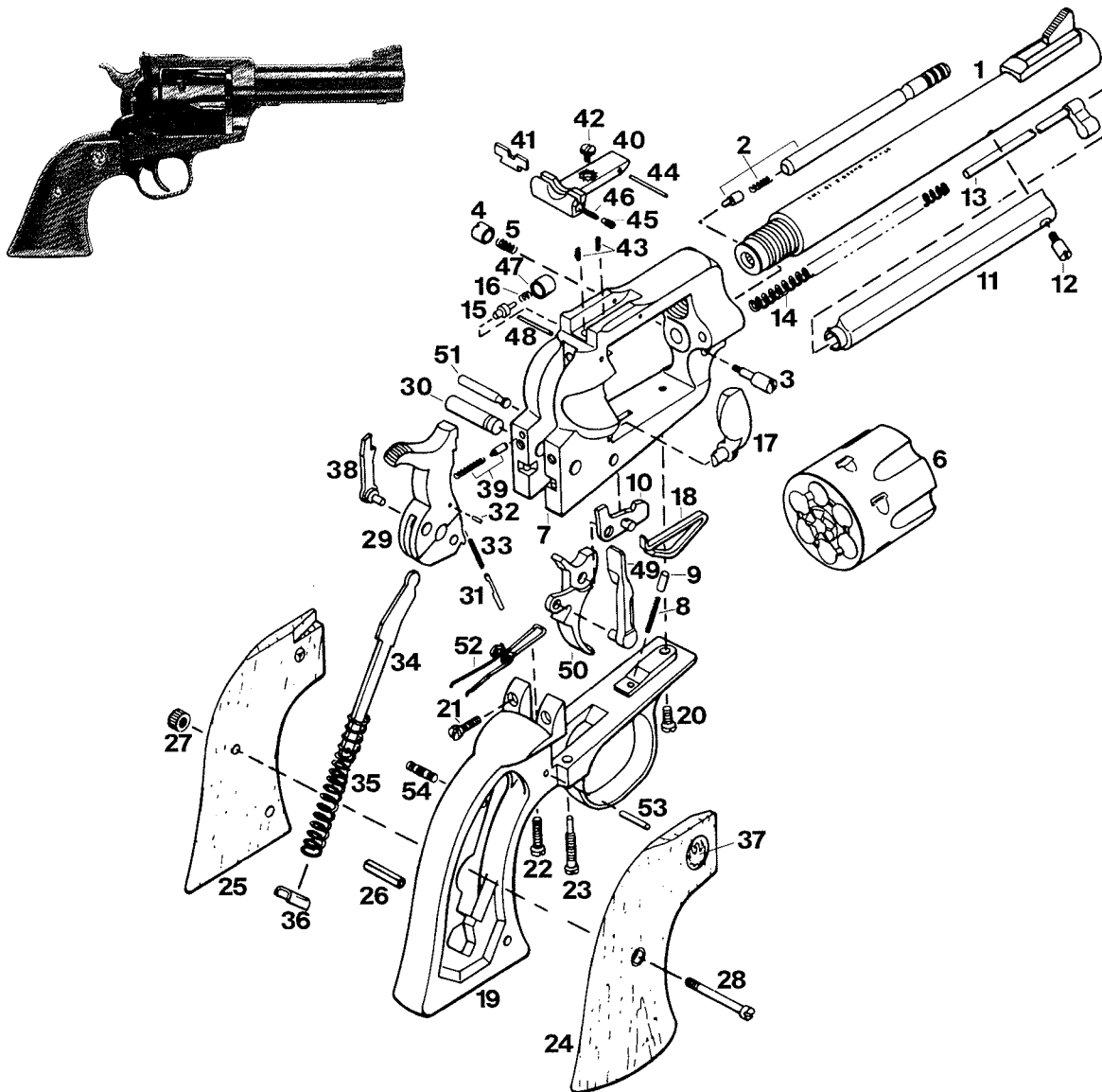
1	Magazine, Complete	21	Bolt Stop Thumb-Piece	42	Disconnecter
2	Magazine Follower	22	Bolt Stop Plunger	43	Hammer
3	Magazine Follower Button	23	Bolt Stop Plunger Spring	44	Hammer Pivot
4	Magazine Spring	24	Recoil Spring Assembly	45	Hammer Bushing
5	Magazine Block (Bottom)	25	Firing Pin	46	Hammer Strut
6	Magazine Block Retaining Plunger	26	Firing Pin Stop	47	Hammer Strut Pin
7	Magazine Body	27	Rebound Spring	48	Safety
8	Mainspring Housing	28	Rebound Spring Support	49	Sear
9	Bolt Stop Pin	29	Extractor	50	Sear Pivot
10	Bolt Stop Pivot Pin	30	Extractor Plunger	51	Sear Spring
11	Mainspring	31	Extractor Spring	52	Sear Spring Stop Pin
12	Mainspring Plunger	32	Grip Frame with Trigger Guard	53	Grip Panels
13	Detent Ball	33	Magazine Latch	54	Grip Panel Screws
14	Housing Latch	34	Magazine Latch Spring	55	Adjustable Rear Sight, Target
15	Housing Latch Pivot	35	Magazine Latch Pin	56	Front Sight Blade, Target
16	Front Sight Blade	36	Magazine Latch Stop Pin	57	Ramp Front Sight, Target
17	Front Sight Pin	37	Trigger	58	Ramp Front Sight Screw, Target
18	Rear Sight (Standard Model)	38	Trigger Pivot	59	Barrel
19	Bolt	39	Trigger Pivot Retainer		
20	Bolt Stop Assembly	40	Trigger Spring		
		41	Trigger Spring Plunger		
				Parts Not Shown	
					Medallion
					Trigger with Overstop Travel

New Model Bisley Revolver



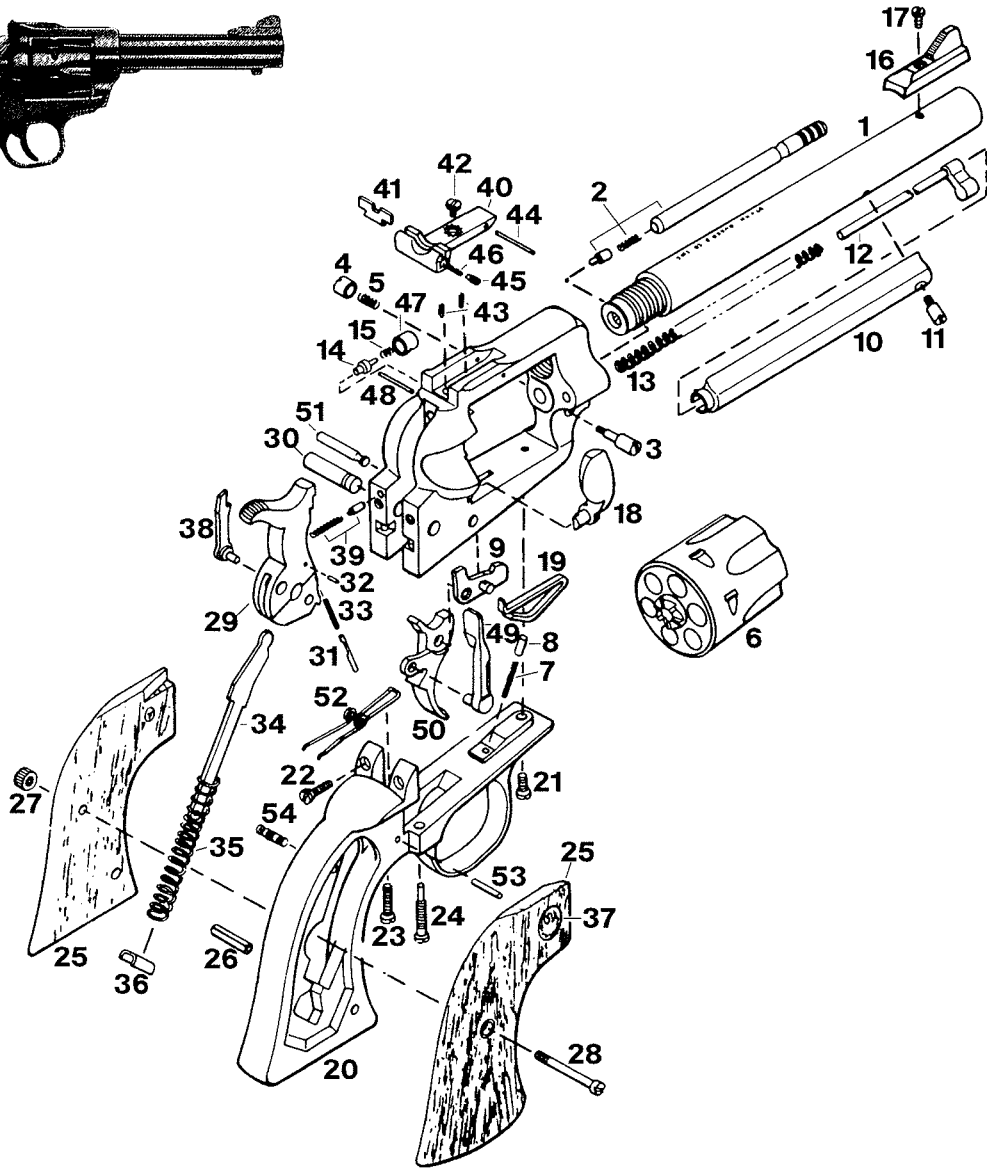
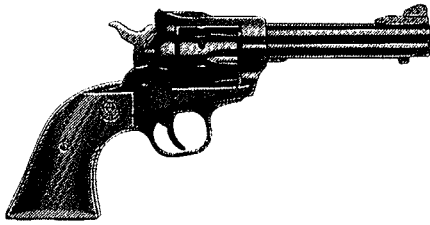
1	Barrel	18	Front Sight Screw	35	Hammer Strut
2	Base Pin Assembly	19	Gate	36	Mainspring
3	Base Pin Latch	20	Gate Detent Spring	37	Mainspring Seat
4	Base Pin Latch Nut	21	Grip Frame	38	Medallion
5	Base Pin Latch Spring	22	Grip Frame Screw, Front	39	Pawl
6	Cylinder (22 L.R.)	23	Grip Frame Screw, Back	40	Pawl Plunger
7	Cylinder (32 H&R Mag.)	24	Grip Frame Screw, Bottom	41	Pawl Plunger Spring
8	Cylinder Latch Spring	25	Grip Frame Screw and Pivot Lock	42	Rear Sight
9	Cylinder Latch Spring Plunger	26	Grip Panels, Complete	43	Recoil Plate
10	Cylinder Latch	27	Grip Panel Dowel	44	Recoil Plate Cross Pin
11	Ejector Housing	28	Grip Panel Ferrule, Left	45	Transfer Bar
12	Ejector Housing Screw	29	Grip Panel Screw	46	Trigger
13	Ejector Rod Assembly	30	Hammer Assembly	47	Trigger Pivot
14	Ejector Rod Spring	31	Hammer Pivot	48	Trigger Spring
15	Firing Pin	32	Hammer Plunger	49	Trigger Spring Pin
16	Firing Pin Rebound Spring	33	Hammer Plunger Pin	50	Trigger Spring Retaining Pin
17	Front Sight Ramp	34	Hammer Plunger Spring	51	Frame

New Model Blackhawk Revolver



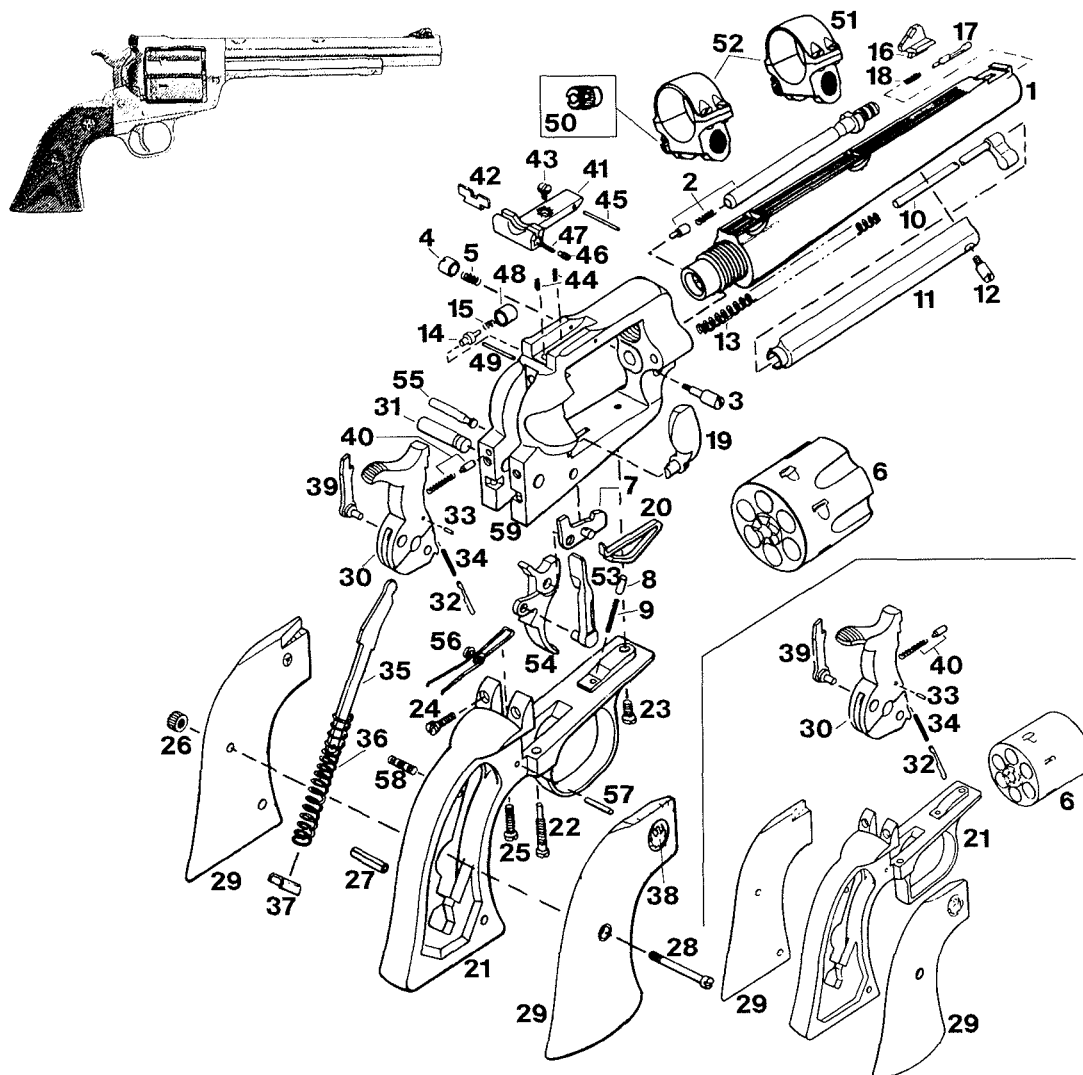
1	Barrel	20	Grip Frame Screw, Front	39	Pawl Spring and Plunger
2	Base Pin Assembly	21	Grip Frame Screw, Back	40	Rear Sight Assembly, Complete
3	Base Pin Latch	22	Grip Frame Screw, Bottom	41	Rear Sight Blade
4	Base Pin Latch Nut	23	Grip Frame Screw and Pivot Lock	42	Rear Sight Elevation Screw
5	Base Pin Latch Spring	24	Grip Panel, Right	43	Rear Sight Elevation Springs
6	Cylinder	25	Grip Panel, Left	44	Rear Sight Pivot Pin
7	Cylinder Frame	26	Grip Panel Dowel	45	Rear Sight Windage Adjustment Screw
8	Cylinder Latch Spring	27	Grip Panel Ferrule, Left	46	Rear Sight Windage Spring
9	Cylinder Latch Spring Plunger	28	Grip Panel Screw	47	Recoil Plate
10	Cylinder Latch	29	Hammer Assembly	48	Recoil Plate Cross Pin
11	Ejector Housing	30	Hammer Pivot	49	Transfer Bar
12	Ejector Housing Screw	31	Hammer Plunger	50	Trigger
13	Ejector Rod Assembly	32	Hammer Plunger Pin	51	Trigger Pivot
14	Ejector Rod Spring	33	Hammer Plunger Spring	52	Trigger Spring
15	Firing Pin	34	Hammer Strut	53	Trigger Spring Pin
16	Firing Pin Rebound Spring	35	Mainspring	54	Trigger Spring Retaining Pin
17	Gate	36	Mainspring Seat		
18	Gate Detent Spring and Retainer	37	Medallion		
19	Grip Frame	38	Pawl		
				Parts Not Shown	
					Grip Panel Ferrule, Right

New Model Single-Six SA Revolver



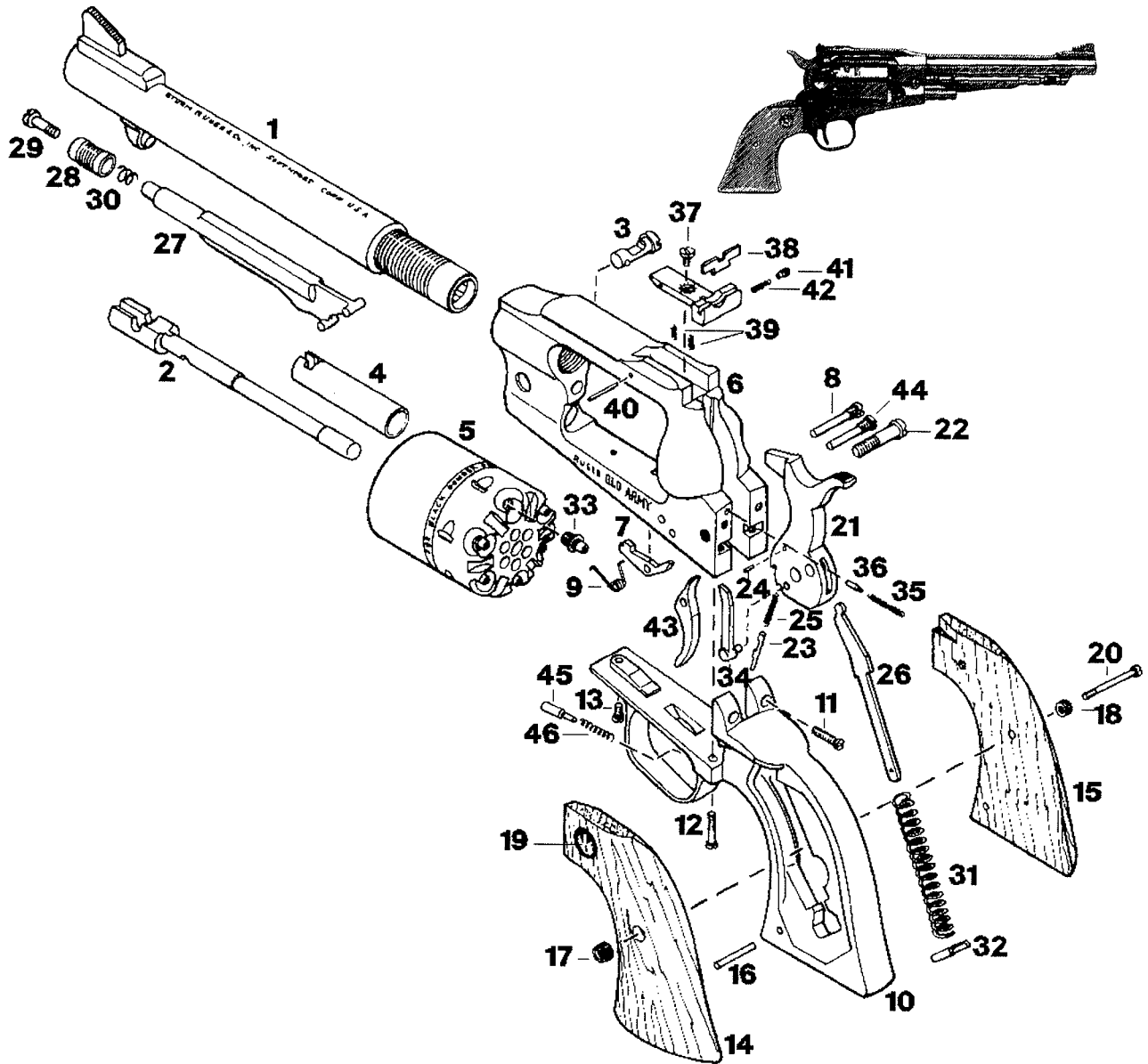
1	Barrel	20	Grip Frame	39	Pawl Spring and Plunger
2	Base Pin Assembly	21	Grip Frame Screw, Front	40	Rear Sight Assembly, Complete
3	Base Pin Latch	22	Grip Frame Screw, Back	41	Rear Sight Blade
4	Base Pin Latch Nut	23	Grip Frame Screw, Bottom	42	Rear Sight Elevation Screw
5	Base Pin Latch Spring	24	Grip Frame Screw and Pivot Lock	43	Rear Sight Elevation Springs
6	Cylinder	25	Grip Panels, Complete	44	Rear Sight Pivot Pin
7	Cylinder Latch Spring	26	Grip Panel Dowel	45	Rear Sight Windage Adjusting Screw
8	Cylinder Latch Spring Plunger	27	Grip Panel Ferrule, Left	46	Rear Sight Windage Spring
9	Cylinder Latch	28	Grip Panel Screw	47	Recoil Plate
10	Ejector Housing	29	Hammer Assembly	48	Recoil Plate Cross Pin
11	Ejector Housing Screw	30	Hammer Pivot	49	Transfer Bar
12	Ejector Rod Assembly	31	Hammer Plunger	50	Trigger
13	Ejector Rod Spring	32	Hammer Plunger Pin	51	Trigger Pivot
14	Firing Pin	33	Hammer Plunger Spring	52	Trigger Spring
15	Firing Pin Rebound Spring	34	Hammer Strut	53	Trigger Spring Pin
16	Front Sight	35	Mainspring	54	Trigger Spring Retaining Pin
17	Front Sight Screw	36	Mainspring Seat		
18	Gate	37	Medallion		
19	Gate Detent Spring	38	Pawl		
				Parts Not Shown	
					Grip Panel Ferrule, Right

New Model Super Blackhawk Hunter Model Revolver

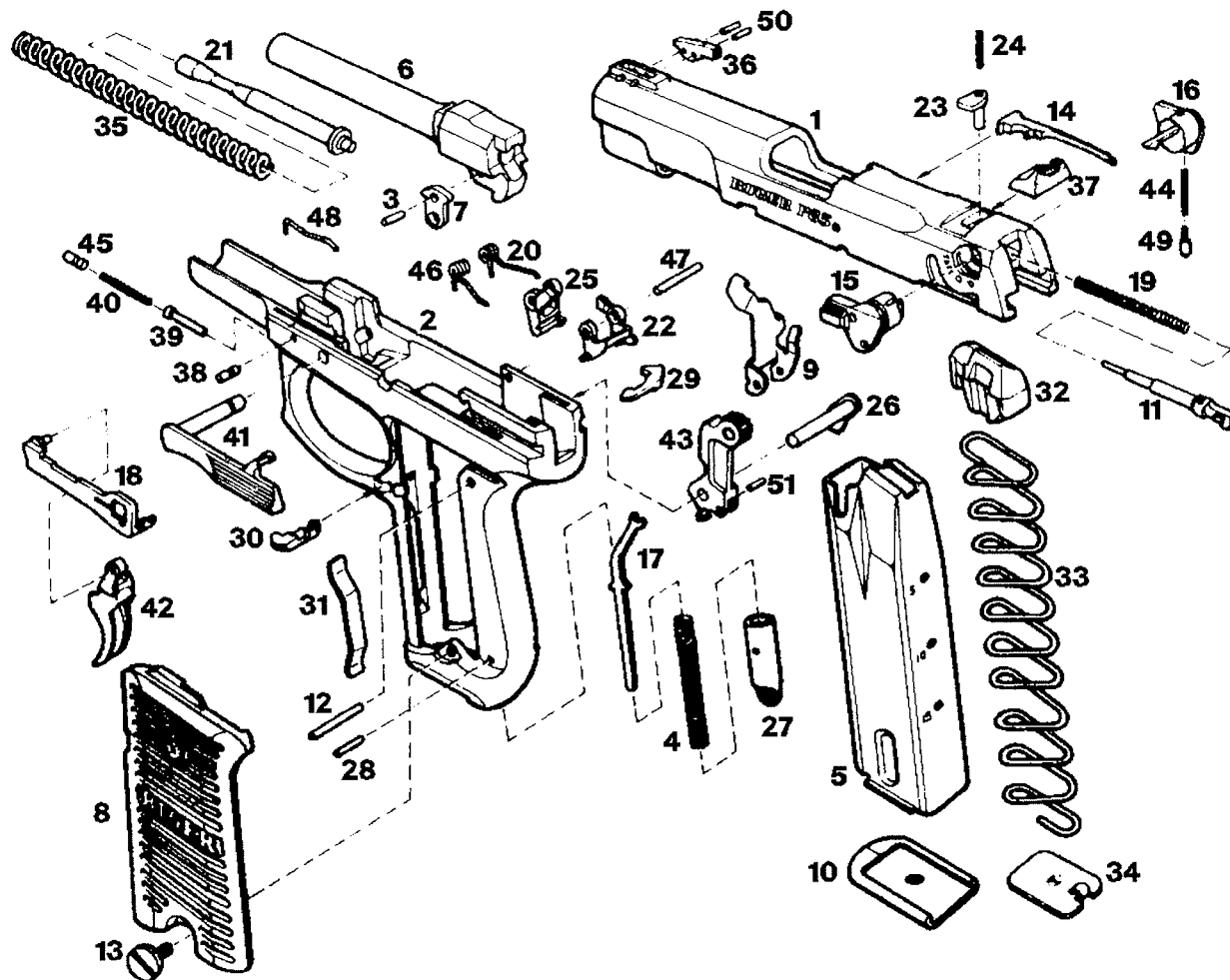


1	Barrel	23	Grip Frame Screw, Front	45	Rear Sight Pivot Pin
2	Base Pin Assembly	24	Grip Frame Screw, Back	46	Rear Sight Windage Adjustment Screw
3	Base Pin Latch	25	Grip Frame Screw, Bottom	47	Rear Sight Windage Spring
4	Base Pin Latch Nut	26	Grip Panel Ferrule, Left	48	Recoil Plate
5	Base Pin Latch Spring	27	Grip Panel Locating Pin	49	Recoil Plate Cross Pin
6	Cylinder	28	Grip Panel Screw	50	Scope Base Nut
7	Cylinder Latch	29	Grip Panels	51	Scope Ring Screw
8	Cylinder Latch Plunger	30	Hammer Assembly	52	Scope Rings
9	Cylinder Latch Spring	31	Hammer Pivot	53	Transfer Bar
10	Ejector Rod Assembly	32	Hammer Plunger	54	Trigger
11	Ejector Housing	33	Hammer Plunger Cross Pin	55	Trigger Pivot
12	Ejector Housing Screw	34	Hammer Plunger Spring	56	Trigger Spring
13	Ejector Rod Spring	35	Hammer Strut	57	Trigger Spring Pin
14	Firing Pin	36	Mainspring	58	Trigger Spring Retaining Pin
15	Firing Pin Rebound Spring	37	Mainspring Seat	59	Frame
16	Front Sight	38	Medallion		
17	Front Sight Plunger	39	Pawl	Parts Not Shown	
18	Front Sight Spring	40	Pawl Spring and Plunger		Cylinder Latch Stud
19	Gate	41	Rear Sight		Grip Panel Ferrule, Right
20	Gate Detent Spring	42	Rear Sight Blade		Rear Sight Detent Ball
21	Grip Frame	43	Rear Sight Elevation Screw		Scope Base Clamp
22	Grip Frame Screw and Pivot Lock	44	Rear Sight Elevation Springs		

Old Army Blackpowder Revolver



1	Barrel Assembly	17	Grip Panel Ferrule, Left	33	Nipple
2	Base Pin	18	Grip Panel Ferrule, Right	34	Pawl
3	Base Pin Retaining Pin Assembly	19	Grip Panel Medallion	35	Pawl Spring
4	Bullet Rammer	20	Grip Panel Screw	36	Pawl Spring Plunger
5	Cylinder	21	Hammer	37	Rear Sight Elevation Screw
6	Cylinder Frame	22	Hammer Pivot	38	Rear Sight Blade
7	Cylinder Latch	23	Hammer Plunger	39	Rear Sight Elevation Springs
8	Cylinder Latch Pivot	24	Hammer Plunger Pin	40	Rear Sight Pivot Pin
9	Cylinder Latch Spring	25	Hammer Plunger Spring	41	Rear Sight Windage Adjustment Screw
10	Grip Frame	26	Hammer Strut	42	Rear Sight Windage Spring
11	Grip Frame Screw, Back	27	Loading Lever	43	Trigger
12	Grip Frame Screw, Bottom	28	Loading Lever Catch	44	Trigger Pivot Screw
13	Grip Frame Screw, Front	29	Loading Lever Catch Screw	45	Trigger Plunger
14	Grip Panel, Left	30	Loading Lever Catch Spring	46	Trigger Spring
15	Grip Panel, Right	31	Mainspring		
16	Grip Panel Dowel	32	Mainspring Seat		

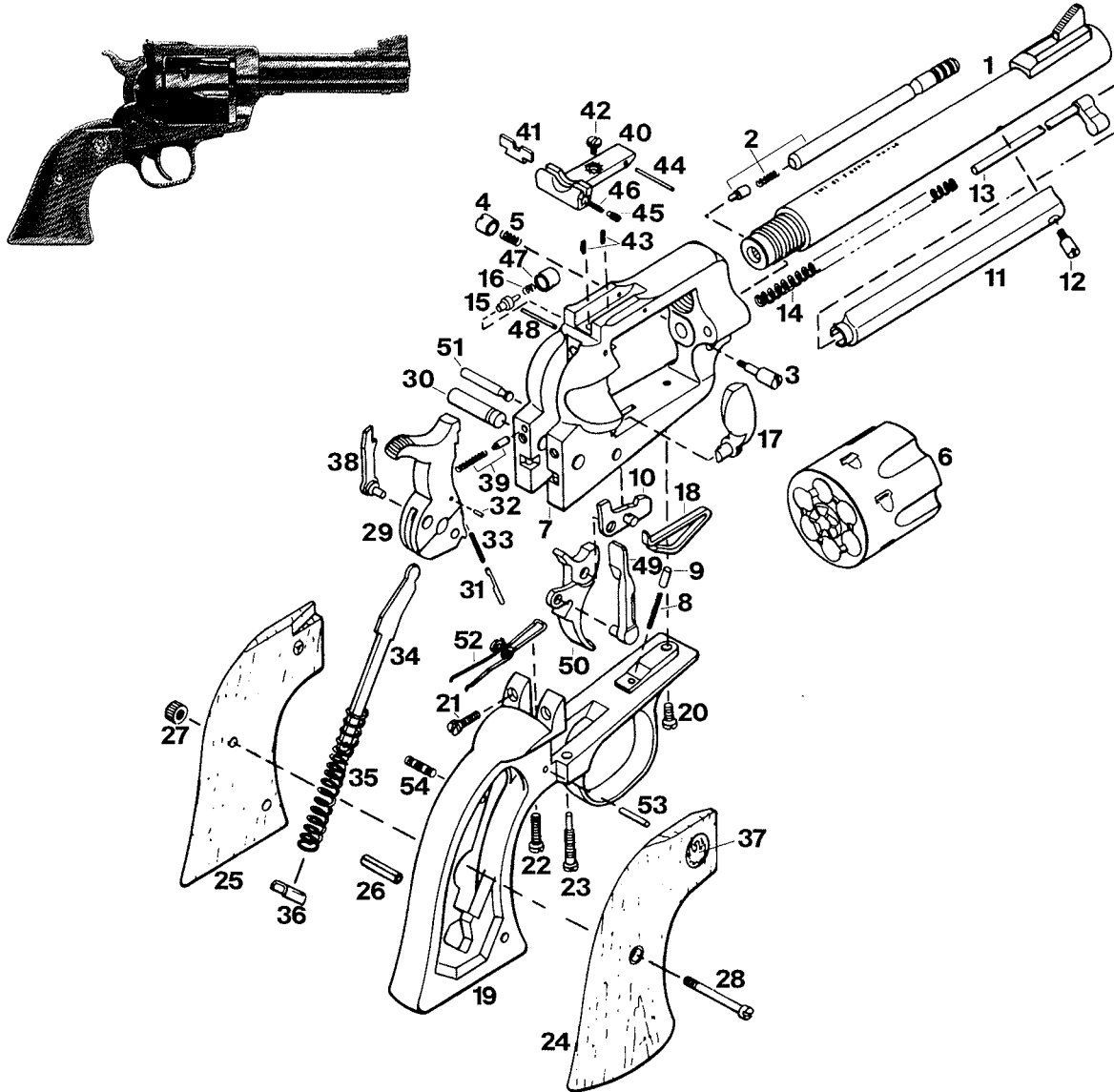


1	Slide	28	Hammer Spring Seat Pin
2	Frame	29	Magazine Latch, Right
3	Barrel Link Pin	30	Magazine Latch, Left
4	Hammer Spring	31	Magazine Latch Spring
5	Magazine Body	32	Magazine Follower
6	Barrel	33	Magazine Spring
7	Barrel Link	34	Magazine Spring Seat
8	Grip Panel, Left	35	Recoil Spring
9	Ejector	36	Sight, Front
10	Magazine Floorplate	37	Sight, Rear
11	Firing Pin	38	Slide Stop Spring Retainer
12	Ejector Pin	39	Trigger Bar Plunger
13	Grip Panel Screws	40	Trigger Bar Plunger Spring
14	Extractor	41	Slide Stop
15	Safety, Left	42	Trigger
16	Safety, Right	43	Hammer
17	Hammer Strut	44	Safety Detent Plunger Spring
18	Trigger Bar	45	Trigger Bar Spring Retainer
19	Firing Pin Spring	46	Sear Spring
20	Blocker Lever Spring	47	Sear Pivot Pin
21	Guide Rod	48	Slide Stop Spring
22	Blocker Lever	49	Safety Detent Plunger
23	Firing Pin Block	50	Front Sight Cross Pins
24	Firing Pin Block Spring	51	Hammer Strut Pin
25	Sear		
26	Hammer Pivot Assembly		
27	Hammer Spring Seat		

Parts Not Shown

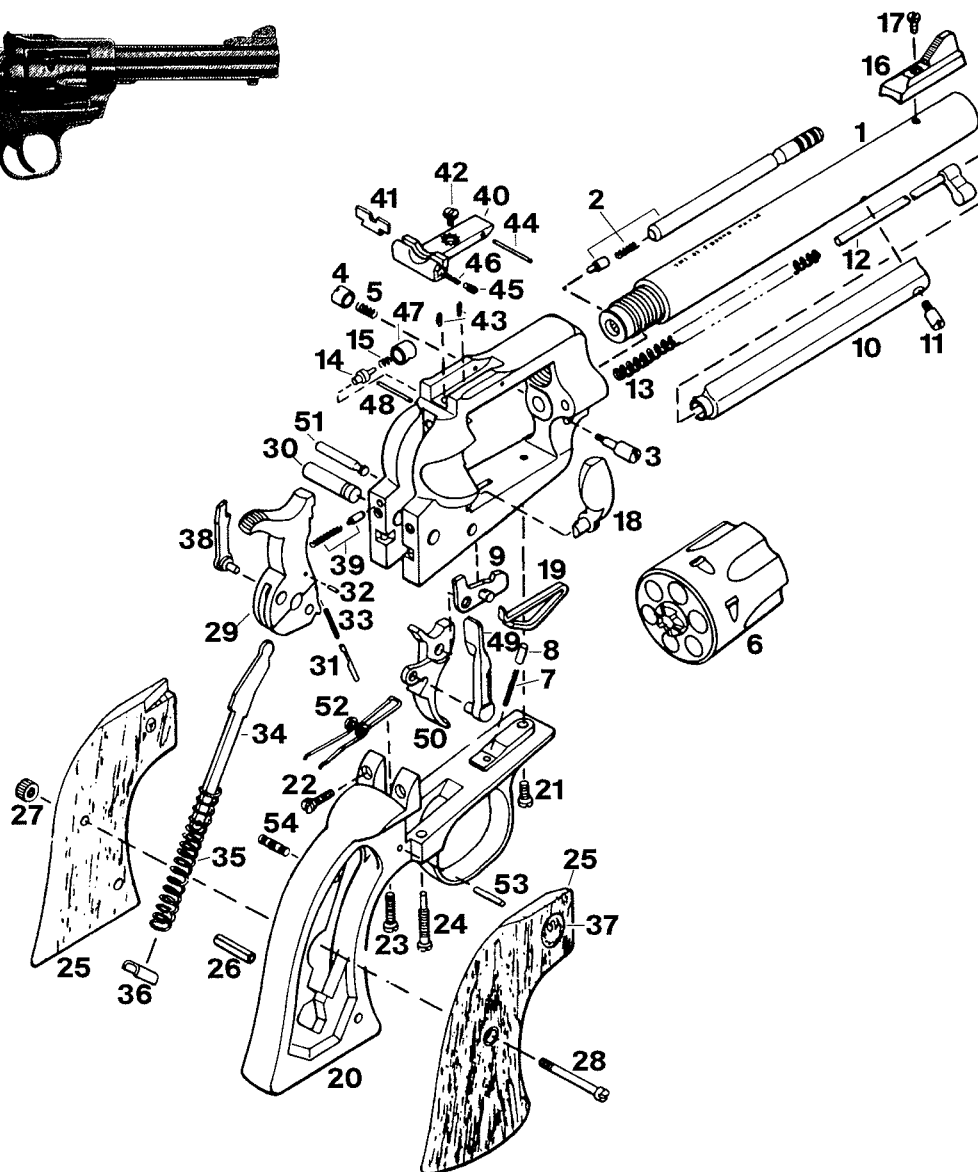
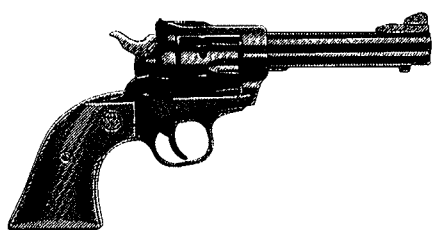
Grip Panel, Right

New Model Blackhawk Revolver



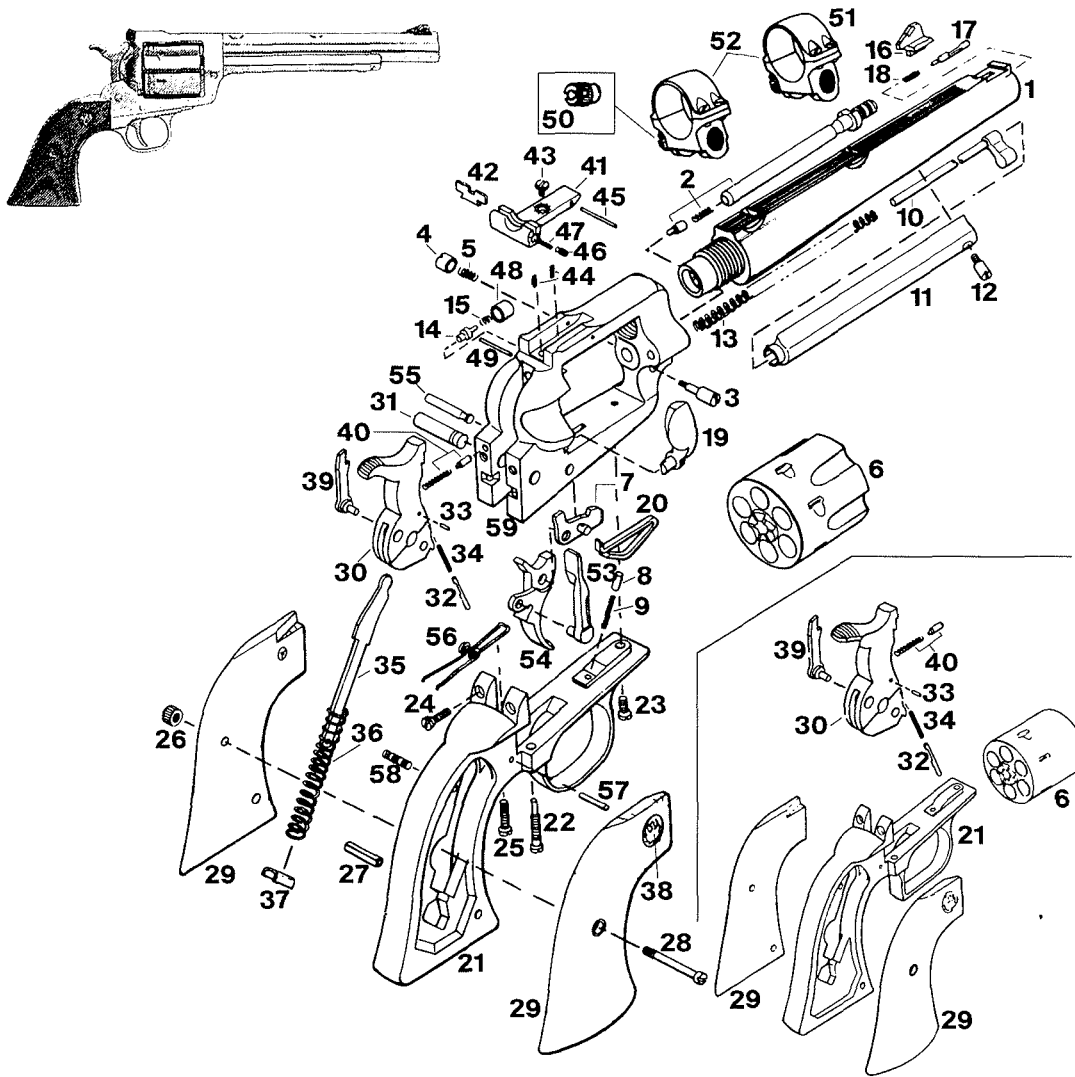
1	Barrel	20	Grip Frame Screw, Front	39	Pawl Spring and Plunger
2	Base Pin Assembly	21	Grip Frame Screw, Back	40	Rear Sight Assembly, Complete
3	Base Pin Latch	22	Grip Frame Screw, Bottom	41	Rear Sight Blade
4	Base Pin Latch Nut	23	Grip Frame Screw and Pivot Lock	42	Rear Sight Elevation Screw
5	Base Pin Latch Spring	24	Grip Panel, Right	43	Rear Sight Elevation Springs
6	Cylinder	25	Grip Panel, Left	44	Rear Sight Pivot Pin
7	Cylinder Frame	26	Grip Panel Dowel	45	Rear Sight Windage Adjustment Screw
8	Cylinder Latch Spring	27	Grip Panel Ferrule, Left	46	Rear Sight Windage Spring
9	Cylinder Latch Spring Plunger	28	Grip Panel Screw	47	Recoil Plate
10	Cylinder Latch	29	Hammer Assembly	48	Recoil Plate Cross Pin
11	Ejector Housing	30	Hammer Pivot	49	Transfer Bar
12	Ejector Housing Screw	31	Hammer Plunger	50	Trigger
13	Ejector Rod Assembly	32	Hammer Plunger Pin	51	Trigger Pivot
14	Ejector Rod Spring	33	Hammer Plunger Spring	52	Trigger Spring
15	Firing Pin	34	Hammer Strut	53	Trigger Spring Pin
16	Firing Pin Rebound Spring	35	Mainspring	54	Trigger Spring Retaining Pin
17	Gate	36	Mainspring Seat		
18	Gate Detent Spring and Retainer	37	Medallion		
19	Grip Frame	38	Pawl		
				Parts Not Shown	
				Grip Panel Ferrule, Right	

New Model Single-Six SA Revolver



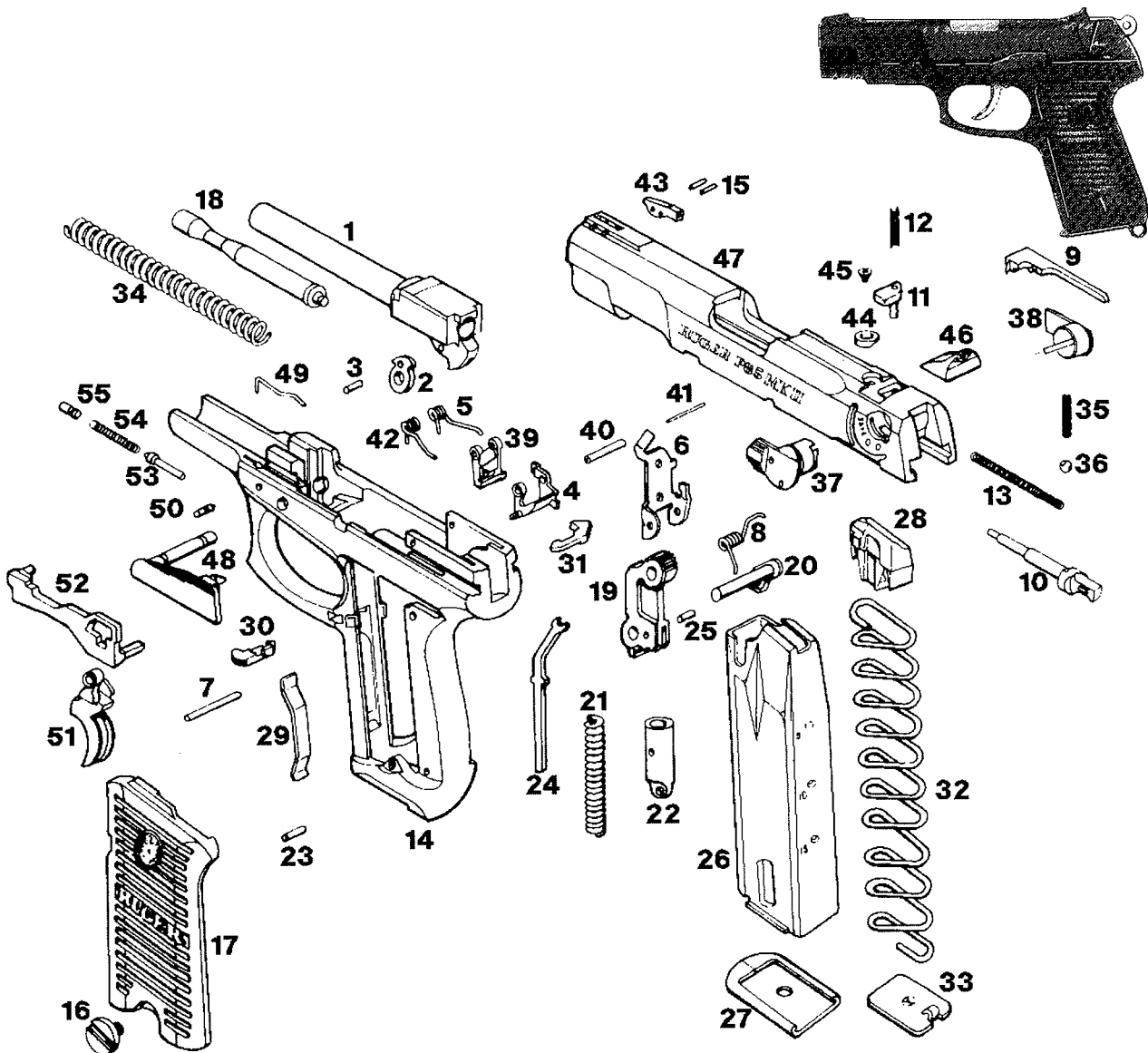
- | | | | | | |
|----|-------------------------------|----|---------------------------------|----|------------------------------------|
| 1 | Barrel | 20 | Grip Frame | 39 | Pawl Spring and Plunger |
| 2 | Base Pin Assembly | 21 | Grip Frame Screw, Front | 40 | Rear Sight Assembly, Complete |
| 3 | Base Pin Latch | 22 | Grip Frame Screw, Back | 41 | Rear Sight Blade |
| 4 | Base Pin Latch Nut | 23 | Grip Frame Screw, Bottom | 42 | Rear Sight Elevation Screw |
| 5 | Base Pin Latch Spring | 24 | Grip Frame Screw and Pivot Lock | 43 | Rear Sight Elevation Springs |
| 6 | Cylinder | 25 | Grip Panels, Complete | 44 | Rear Sight Pivot Pin |
| 7 | Cylinder Latch Spring | 26 | Grip Panel Dowel | 45 | Rear Sight Windage Adjusting Screw |
| 8 | Cylinder Latch Spring Plunger | 27 | Grip Panel Ferrule, Left | 46 | Rear Sight Windage Spring |
| 9 | Cylinder Latch | 28 | Grip Panel Screw | 47 | Recoil Plate |
| 10 | Ejector Housing | 29 | Hammer Assembly | 48 | Recoil Plate Cross Pin |
| 11 | Ejector Housing Screw | 30 | Hammer Pivot | 49 | Transfer Bar |
| 12 | Ejector Rod Assembly | 31 | Hammer Plunger | 50 | Trigger |
| 13 | Ejector Rod Spring | 32 | Hammer Plunger Spring | 51 | Trigger Pivot |
| 14 | Firing Pin | 33 | Hammer Plunger Spring | 52 | Trigger Spring |
| 15 | Firing Pin Rebound Spring | 34 | Hammer Strut | 53 | Trigger Spring Pin |
| 16 | Front Sight | 35 | Mainspring | 54 | Trigger Spring Retaining Pin |
| 17 | Front Sight Screw | 36 | Mainspring Seat | | |
| 18 | Gate | 37 | Medallion | | |
| 19 | Gate Detent Spring | 38 | Pawl | | |
- Parts Not Shown**
Grip Panel Ferrule, Right

New Model Super Blackhawk Hunter Model Revolver



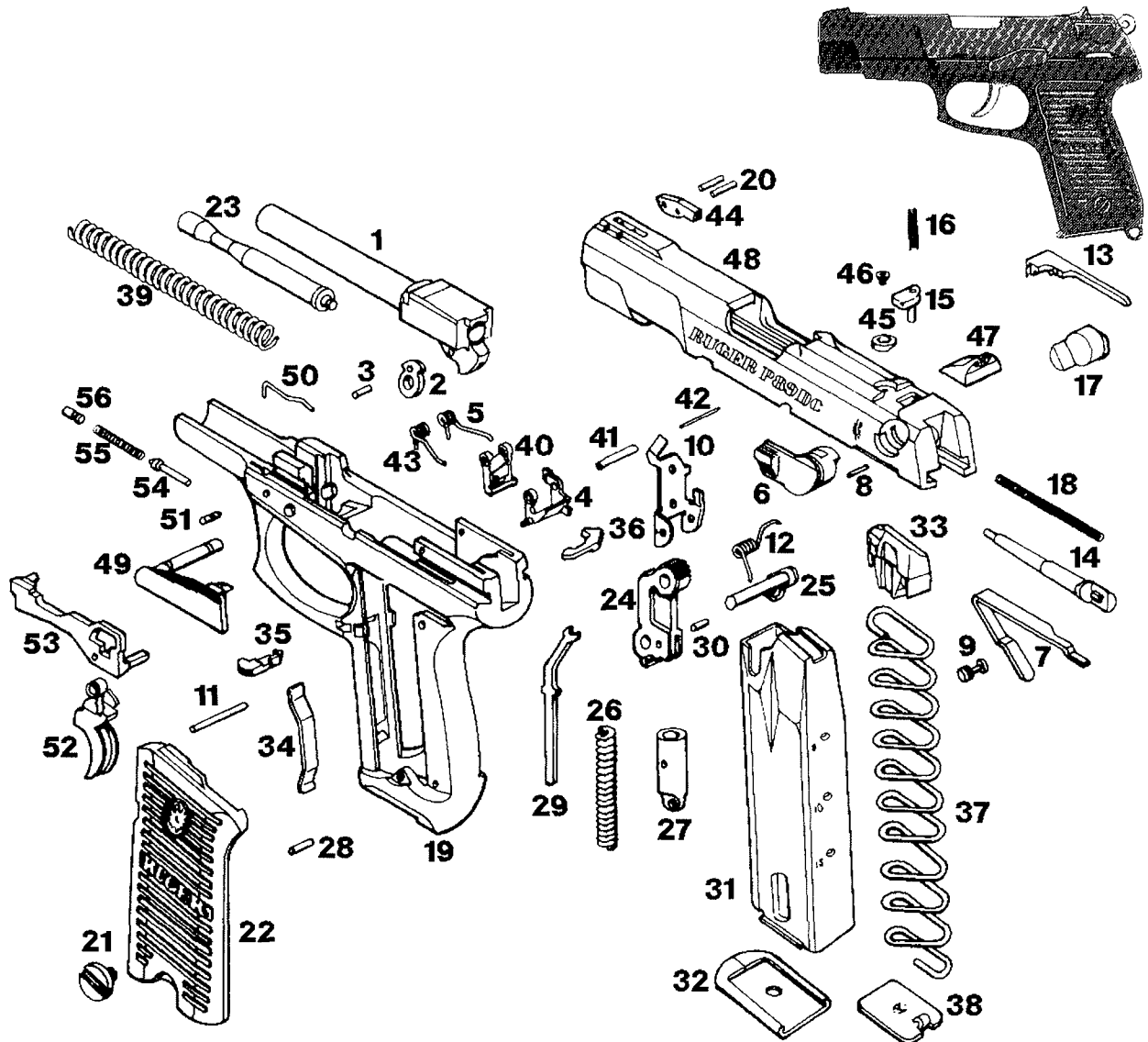
1	Barrel	23	Grip Frame Screw, Front	45	Rear Sight Pivot Pin
2	Base Pin Assembly	24	Grip Frame Screw, Back	46	Rear Sight Windage Adjustment Screw
3	Base Pin Latch	25	Grip Frame Screw, Bottom	47	Rear Sight Windage Spring
4	Base Pin Latch Nut	26	Grip Panel Ferrule, Left	48	Recoil Plate
5	Base Pin Latch Spring	27	Grip Panel Locating Pin	49	Recoil Plate Cross Pin
6	Cylinder	28	Grip Panel Screw	50	Scope Base Nut
7	Cylinder Latch	29	Grip Panels	51	Scope Ring Screw
8	Cylinder Latch Plunger	30	Hammer Assembly	52	Scope Rings
9	Cylinder Latch Spring	31	Hammer Pivot	53	Transfer Bar
10	Ejector Rod Assembly	32	Hammer Plunger	54	Trigger
11	Ejector Housing	33	Hammer Plunger Cross Pin	55	Trigger Pivot
12	Ejector Housing Screw	34	Hammer Plunger Spring	56	Trigger Spring
13	Ejector Rod Spring	35	Hammer Strut	57	Trigger Spring Pin
14	Firing Pin	36	Mainspring	58	Trigger Spring Retaining Pin
15	Firing Pin Rebound Spring	37	Mainspring Seat	59	Frame
16	Front Sight	38	Medallion		
17	Front Sight Plunger	39	Pawl	Parts Not Shown	
18	Front Sight Spring	40	Pawl Spring and Plunger		Cylinder Latch Stud
19	Gate	41	Rear Sight		Grip Panel Ferrule, Right
20	Gate Detent Spring	42	Rear Sight Blade		Rear Sight Detent Ball
21	Grip Frame	43	Rear Sight Elevation Screw		Scope Base Clamp
22	Grip Frame Screw and Pivot Lock	44	Rear Sight Elevation Springs		

P85 MKII Auto



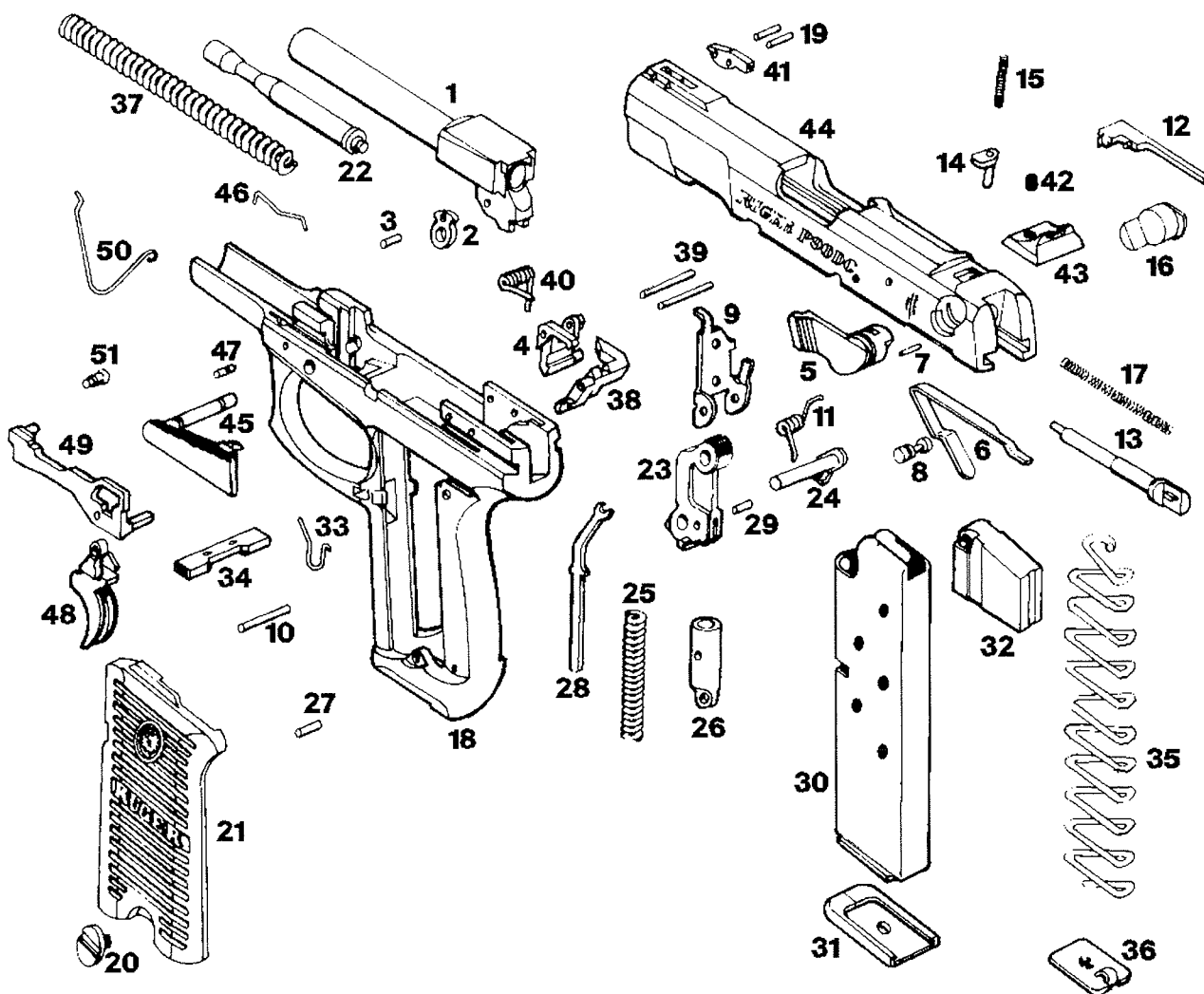
1	Barrel	21	Hammer Spring	41	Sear Pivot Pin
2	Barrel Link	22	Hammer Spring Seat	42	Sear Spring
3	Barrel Link Pin	23	Hammer Spring Seat Pin	43	Sight, Front
4	Blocker Lever	24	Hammer Strut	44	Sight Lock
5	Blocker Lever Spring	25	Hammer Strut Pin	45	Sight Lock Screw
6	Ejector	26	Magazine Body	46	Sight, Rear
7	Ejector Pin	27	Magazine Floorplate	47	Slide
8	Ejector Spring	28	Magazine Follower	48	Slide Stop
9	Extractor	29	Magazine Latch Spring	49	Slide Stop Spring
10	Firing Pin	30	Magazine Latch, Left	50	Slide Stop Spring Retainer
11	Firing Pin Block	31	Magazine Latch, Right	51	Trigger
12	Firing Pin Block Spring	32	Magazine Spring	52	Trigger Bar
13	Firing Pin Spring	33	Magazine Spring Seat	53	Trigger Bar Plunger
14	Frame	34	Recoil Spring	54	Trigger Bar Plunger Spring
15	Front Sight Cross Pins	35	Safety Detent Plunger Spring	55	Trigger Bar Spring Retainer
16	Grip Panel Screws	36	Safety Detent Ball		
17	Grip Panel, Left	37	Safety, Left	Parts Not Shown	
18	Guide Rod Assembly	38	Safety, Right		Grip Panel, Right
19	Hammer	39	Sear		Magazine Loader
20	Hammer Pivot Assembly	40	Sear Pivot Bearing		

P89DC Auto



1	Barrel	21	Grip Panel Screws	41	Sear Pivot Bearing
2	Barrel Link	22	Grip Panel, Left	42	Sear Pivot Pin
3	Barrel Link Pin	23	Guide Rod Assembly	43	Sear Spring
4	Blocker Lever	24	Hammer	44	Sight, Front
5	Blocker Lever Spring	25	Hammer Pivot Assembly	45	Sight Lock
6	Decocker Lever	26	Hammer Spring	46	Sight Lock Screw
7	Decocker Lever Spring	27	Hammer Spring Seat	47	Sight, Rear
8	Decocker Lever Spring Pin	28	Hammer Spring Seat Pin	48	Slide
9	Decocker Lever Spring Retainer	29	Hammer Strut	49	Slide Stop
10	Ejector	30	Hammer Strut Pin	50	Slide Stop Spring
11	Ejector Pin	31	Magazine Body	51	Slide Stop Spring Retainer
12	Ejector Spring	32	Magazine Floorplate	52	Trigger
13	Extractor	33	Magazine Follower	53	Trigger Bar
14	Firing Pin	34	Magazine Latch Spring	54	Trigger Bar Plunger
15	Firing Pin Block	35	Magazine Latch, Left	55	Trigger Bar Plunger Spring
16	Firing Pin Block Spring	36	Magazine Latch, Right	56	Trigger Bar Spring Retainer
17	Firing Pin Stop	37	Magazine Spring		
18	Firing Pin Spring	38	Magazine Spring Seat		
19	Frame	39	Recoil Spring		
20	Front Sight Cross Pins	40	Sear		
				Parts Not Shown	
				Grip Panel, Right	

P90DC Auto

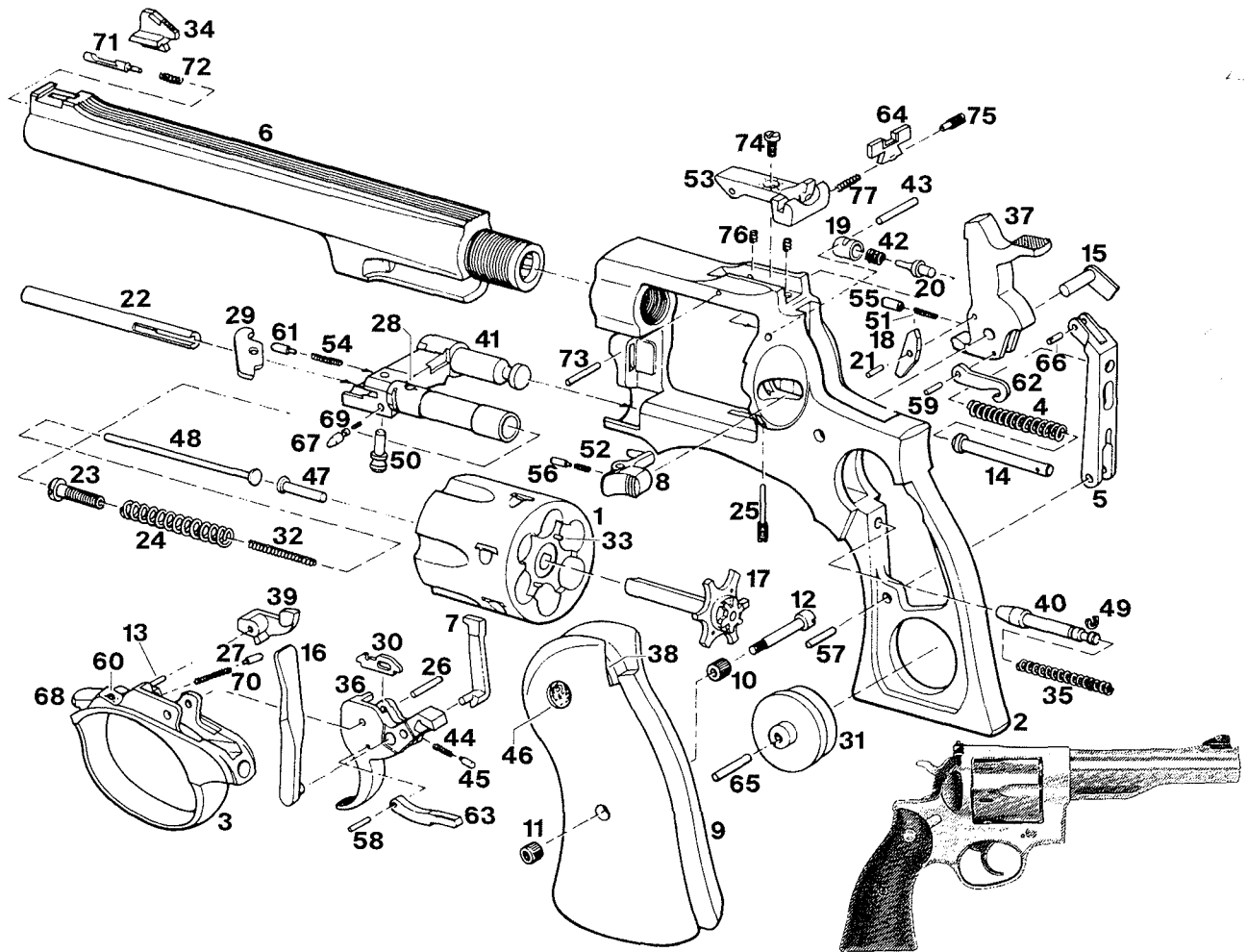


1	Barrel	19	Front Sight Cross Pins	37	Recoil Spring
2	Barrel Link	20	Grip Panel Screws	38	Sear
3	Barrel Link Pin	21	Grip Panel, Left	39	Sear Pivot Pins
4	Blocker Lever	22	Guide Rod Assembly	40	Sear Spring
5	Decocker Lever	23	Hammer	41	Sight, Front
6	Decocker Lever Spring	24	Hammer Pivot Assembly	42	Sight Lock Screw
7	Decocker Lever Spring Pin	25	Hammer Spring	43	Sight, Rear
8	Decocker Lever Spring Retainer	26	Hammer Spring Seat	44	Slide
9	Ejector	27	Hammer Spring Seat Pin	45	Slide Stop
10	Ejector Pin	28	Hammer Strut	46	Slide Stop Spring
11	Ejector Spring	29	Hammer Strut Pin	47	Slide Stop Spring Retainer
12	Extractor	30	Magazine Body	48	Trigger
13	Firing Pin	31	Magazine Floorplate	49	Trigger Bar
14	Firing Pin Block	32	Magazine Follower	50	Trigger Bar Spring
15	Firing Pin Block Spring	33	Magazine Latch Spring	51	Rivet
16	Firing Pin Stop	34	Magazine Latch		
17	Firing Pin Spring	35	Magazine Spring		
18	Frame	36	Magazine Spring Seat		

Parts Not Shown

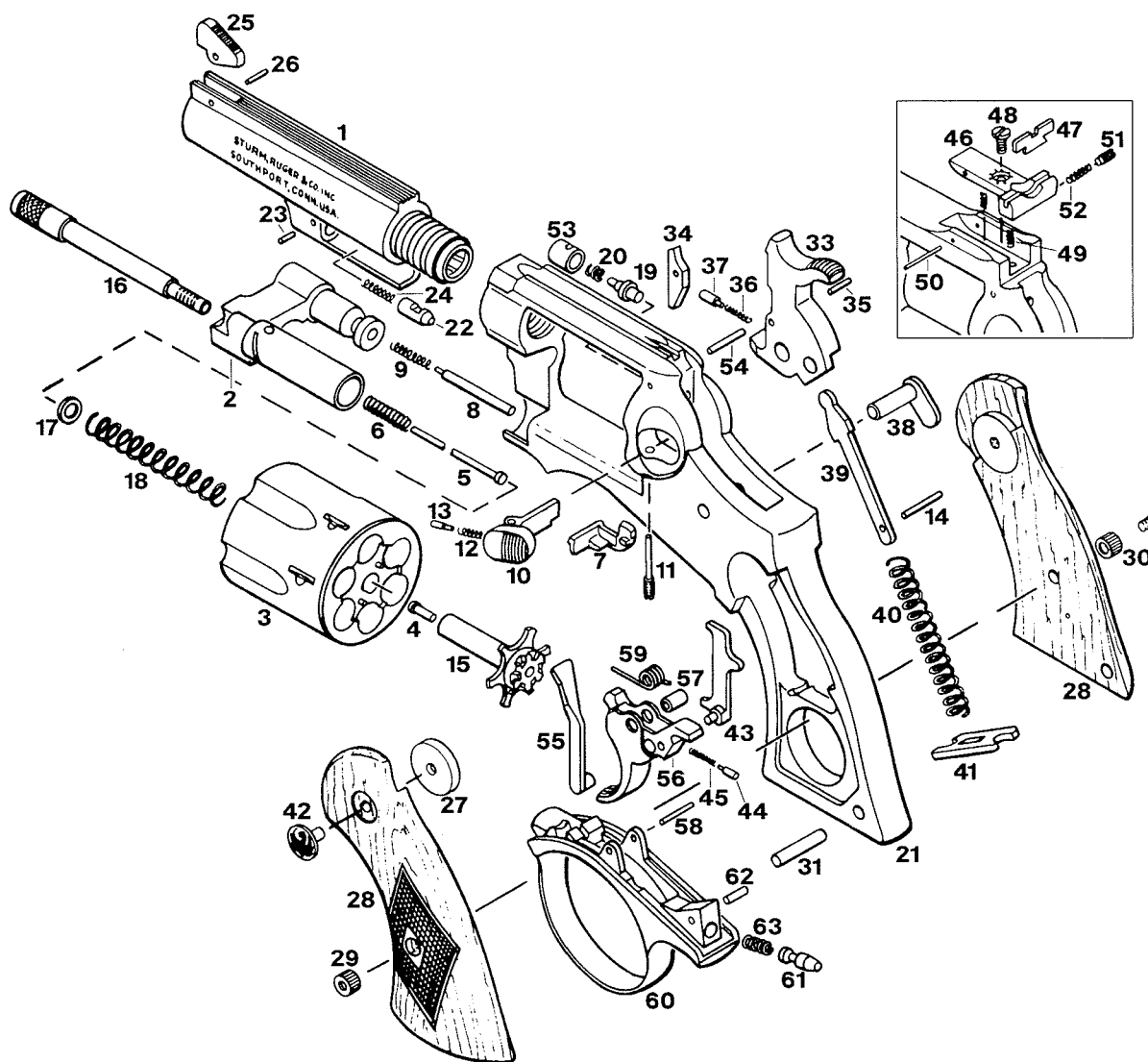
Grip Panel, Right

Redhawk Revolver



1	Cylinder	27	Cylinder Latch Plunger	52	Crane Latch Spring
2	Frame	28	Cylinder Retaining Balls	53	Rear Sight Base
3	Trigger Guard	29	Front Latch	54	Front Latch Spring
4	Mainspring	30	Trigger Plunger	55	Hammer Dog Spring Plunger
5	Mainspring Lever	31	Grip Panel Locator	56	Crane Latch Spring Plunger
6	Barrel	32	Center Pin Spring	57	Lever Pivot Pin
7	Pawl	33	Ejector Alignment Pins	58	Trigger Cross Pin
8	Crane Latch	34	Front Sight	59	Hammer Cross Pins
9	Grip Panels	35	Trigger Guard Latch Spring	60	Crane Pivot Lock Plunger
10	Grip Panel Ferrule, Right	36	Trigger	61	Front Latch Spring Plunger
11	Grip Panel Ferrule, Left	37	Hammer	62	Hammer Link
12	Grip Panel Screw	38	Grip Panel Boss	63	Trigger Link
13	Cylinder Latch Pivot	39	Cylinder Latch	64	Rear Sight Blade
14	Mainspring Strut	40	Trigger Guard Latch	65	Disassembly Pin
15	Hammer Pivot Assembly	41	Crane and Crane/Pivot Assembly	66	Mainspring Lever Cross Pin
16	Transfer Bar	42	Firing Pin Rebound Spring	67	Front Latch Pivot Lock
17	Ejector	43	Recoil Plate Cross Pin	68	Crane Pivot Spring
18	Hammer Dog	44	Pawl Plunger Spring	69	Front Latch Pivot Spring
19	Recoil Plate	45	Pawl Plunger	70	Cylinder Latch Spring
20	Firing Pin	46	Grip Medallions	71	Front Sight Plunger
21	Hammer Dog Pivot Pin	47	Center Pin Lock	72	Front Sight Plunger Spring
22	Ejector Rod	48	Center Pin Rod	73	Rear Sight Pivot Pin
23	Ejector Retainer	49	Trigger Guard Latch	74	Rear Sight Elevation Screw
24	Ejector Spring		Retaining<R>Ring	75	Rear Sight Windage Screw
25	Crane Latch Pivot	50	Front Latch Pivot Pin	76	Rear Sight Elevation Springs
26	Trigger Pivot Pin	51	Hammer Dog Spring	77	Rear Sight Windage Spring

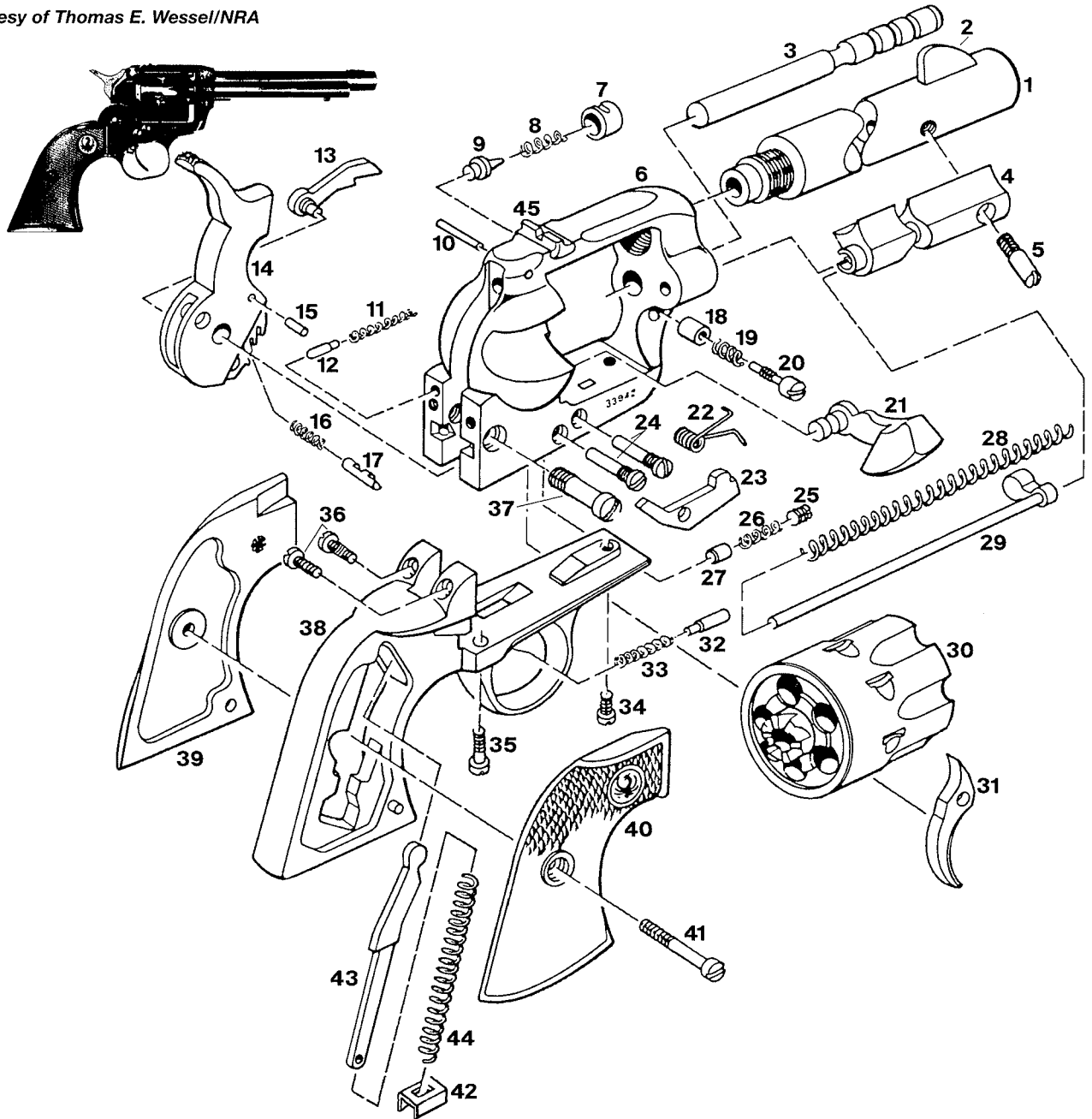
Security-Six, SP-6 and PS-6 Revolver



1	Barrel	22	Front Latch	43	Pawl
2	Crane/Crane Pivot Assembly	23	Front Latch Cross Pin	44	Pawl Plunger
3	Cylinder	24	Front Latch Spring	45	Pawl Spring
4	Cylinder Center Lock Pin	25	Front Sight Blade	46	Rear Sight
5	Cylinder Center Pin Rod	26	Front Sight Cross Pin	47	Rear Sight Blade
6	Cylinder Center Pin Spring	27	Grip Panel Boss	48	Rear Sight Elevation Screw
7	Cylinder Latch	28	Grip Panels	49	Rear Sight Elevation Springs
8	Cylinder Latch Plunger	29	Grip Panel Ferrule, Left	50	Rear Sight Pivot Pin
9	Cylinder Latch Spring	30	Grip Panel Ferrule, Right	51	Rear Sight Windage Screw
10	Cylinder Release Button	31	Grip Panel Dowel	52	Rear Sight Windage Spring
11	Cylinder Release Pivot	32	Grip Panel Screw	53	Recoil Plate
12	Cylinder Release Spring	33	Hammer	54	Recoil Plate Cross Pin
13	Cylinder Release Spring Plunger	34	Hammer Dog	55	Transfer Bar
14	Disassembly Pin	35	Hammer Dog Pivot Pin	56	Trigger
15	Ejector	36	Hammer Dog Spring	57	Trigger Bushing
16	Ejector Rod	37	Hammer Dog Spring Plunger	58	Trigger Pivot Pin
17	Ejector Rod Washer	38	Hammer Pivot Assembly	59	Trigger Spring
18	Ejector Spring	39	Hammer Strut	60	Trigger Guard
19	Firing Pin	40	Mainspring	61	Trigger Guard Plunger
20	Firing Pin Rebound Spring	41	Mainspring Seat	62	Trigger Guard Plunger Cross Pin
21	Frame	42	Grip Medallion	63	Trigger Guard Plunger Spring

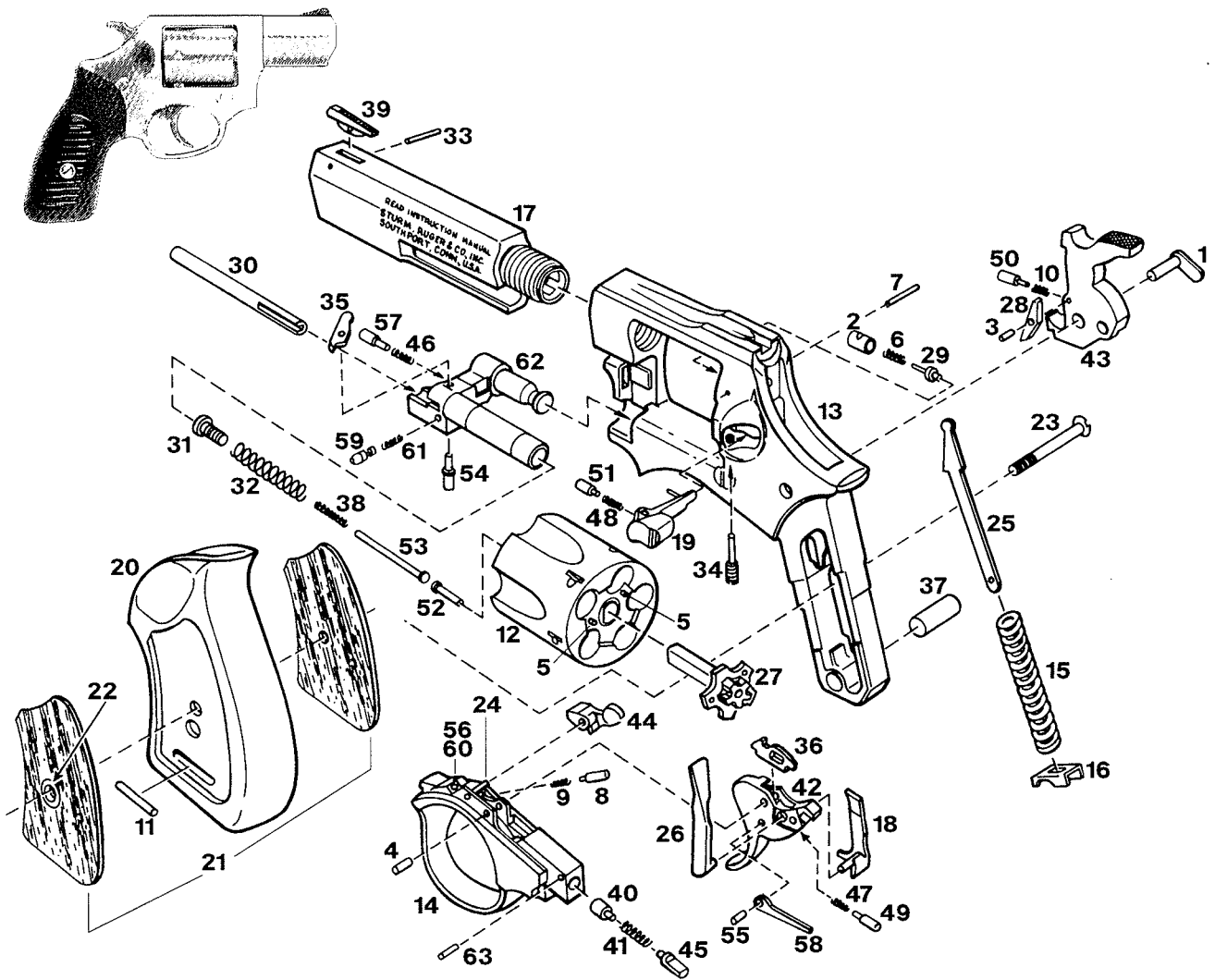
Old Model Single-Six Revolver

Courtesy of Thomas E. Wessel/NRA



1	Barrel	16	Hammer Plunger Spring	31	Trigger
2	Front Sight	17	Hammer Plunger	32	Trigger Plunger
3	Base Pin	18	Base Pin Nut	33	Trigger Spring
4	Ejector Housing	19	Base Pin Nut Latch Spring	34	Grip Frame Screw, Front
5	Ejector Housing Screw	20	Base Pin Latch	35	Grip Frame Screw, Lower
6	Cylinder Frame	21	Gate Assembly (Contoured)	36	Grip Frame Screws, Rear
7	Recoil Plate	22	Cylinder Latch Spring	37	Hammer Pivot Screw
8	Rebound Spring	23	Cylinder Latch	38	Grip Frame
9	Firing Pin	24	Pivot Screws	39	Grip Panel, Left
10	Recoil Plate Pin	25	Gate Spring Screw	40	Grip Panel, Right
11	Pawl Spring	26	Gate Detent Spring	41	Grip Panel Screw
12	Pawl Plunger	27	Gate Detent Plunger	42	Mainspring Seat
13	Pawl	28	Ejector Spring	43	Hammer Strut
14	Hammer	29	Ejector Rod Assembly	44	Mainspring
15	Hammer Plunger Pin	30	Cylinder	45	Rear Sight

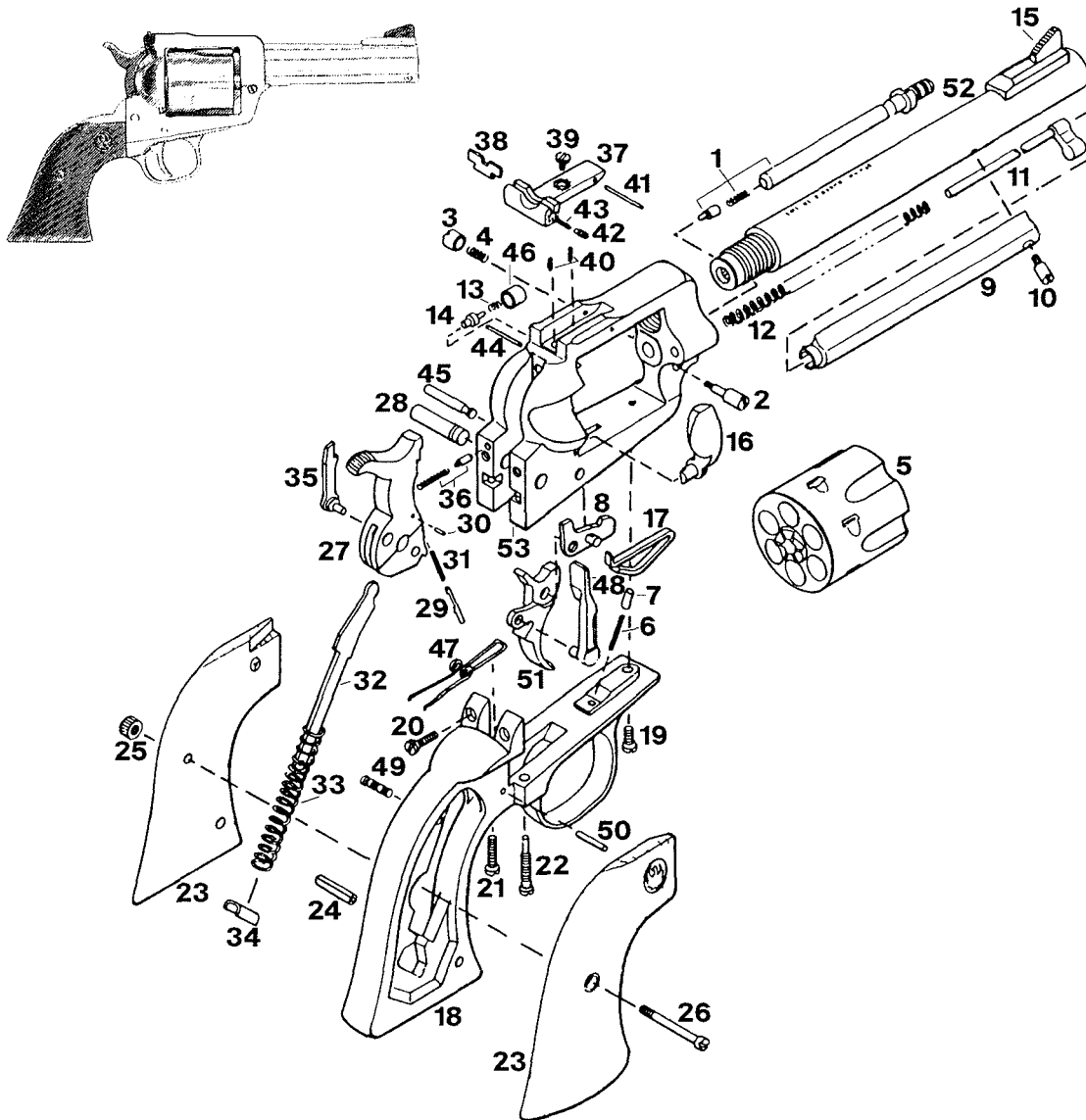
SP101 Revolver



1	Hammer Pivot Assembly	23	Grip Panel Screw	45	Trigger Guard Latch
2	Recoil Plate	24	Cylinder Latch Pivot	46	Pawl Plunger Spring
3	Hammer Dog Pivot Pin	25	Hammer Strut	47	Front Latch Spring
4	Trigger Pivot Pin	26	Transfer Bar	48	Cylinder Latch Spring
5	Ejector Alignment Pins	27	Ejector	49	Pawl Plunger
6	Firing Pin Rebound Spring	28	Hammer Dog	50	Hammer Dog Spring Plunger
7	Recoil Plate Cross Pin	29	Firing Pin	51	Crane Latch Spring Plunger
8	Cylinder Latch Plunger	30	Ejector Rod	52	Center Pin Lock
9	Crane Latch Spring	31	Ejector Retainer	53	Center Pin Rod
10	Hammer Dog Spring	32	Ejector Spring	54	Front Latch Pivot Pin
11	Disassembly Pin	33	Front Sight Cross Pin	55	Trigger Link Pin
12	Cylinder	34	Crane Latch Pivot	56	Crane Pivot Lock Plunger
13	Frame	35	Front Latch	57	Front Latch Spring Plunger
14	Trigger Guard	36	Trigger Plunger	58	Trigger Link
15	Mainspring	37	Grip Panel Locator	59	Front Latch Pivot Lock
16	Mainspring Seat	38	Center Pin Spring	60	Crane Pivot Lock Spring
17	Barrel	39	Front Sight	61	Front Latch Pivot Lock Spring
18	Pawl	40	Trigger Link Plunger	62	Crane and Crane Pivot Assembly
19	Crane Latch	41	Trigger Guard Latch Spring	63	Trigger Guard Latch Pin
20	Pistol Grip	42	Trigger		
21	Pistol Grip Insert	43	Hammer		
22	Ferrule	44	Cylinder Latch		

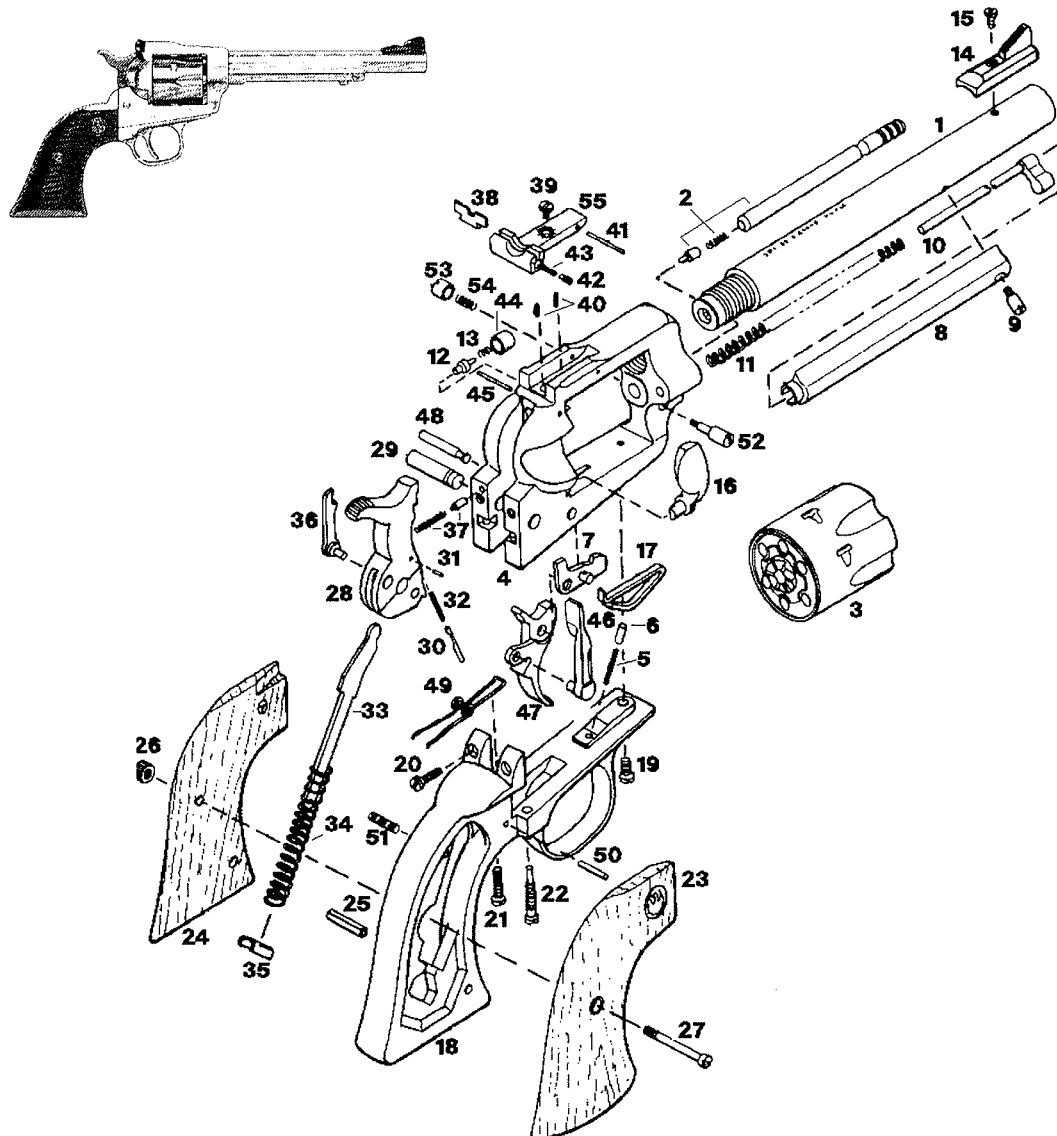
Parts Not Shown
Safety Disc

Stainless New Model Blackhawk and Super Blackhawk Revolver



1	Base Pin Assembly	21	Grip Frame Screw, Bottom	40	Rear Sight Elevation Springs
2	Base Pin Latch	22	Grip Frame Screw and Pivot Lock	41	Rear Sight Pivot Pin
3	Base Pin Latch Nut	23	Grip Panels	42	Rear Sight Windage Adjusting Screw
4	Base Pin Latch Spring	24	Grip Panel Dowel	43	Rear Sight Windage Spring
5	Cylinder	25	Grip Panel Ferrule	44	Recoil Plate Cross Pin
6	Cylinder Latch Spring	26	Grip Panel Screw	45	Trigger Pivot
7	Cylinder Latch Spring Plunger	27	Hammer Assembly	46	Recoil Plate
8	Cylinder Latch	28	Hammer Pivot	47	Trigger Spring
9	Ejector Housing	29	Hammer Plunger	48	Transfer Bar
10	Ejector Housing Screw	30	Hammer Plunger Pin	49	Trigger Spring Retaining Pin
11	Ejector Rod Assembly	31	Hammer Plunger Spring	50	Trigger Spring Pin
12	Ejector Roll Spring	32	Hammer Strut	51	Trigger
13	Firing Pin Rebound Spring	33	Mainspring	52	Barrel
14	Firing Pin	34	Mainspring Seat	53	Frame
15	Front Sight	35	Pawl	Parts Not Shown	
16	Gate	36	Pawl Spring and Plunger	Front Sight Blade	
17	Gate Detent Spring	37	Rear Sight Assembly, Complete	Front Sight Blade Cross Pin	
18	Grip Frame	38	Rear Sight Blade	Rear Sight Detent Ball	
19	Grip Frame Screw, Front	39	Rear Sight Elevation Screw		
20	Grip Frame Screw, Back				

Stainless New Model Single-Six Revolver

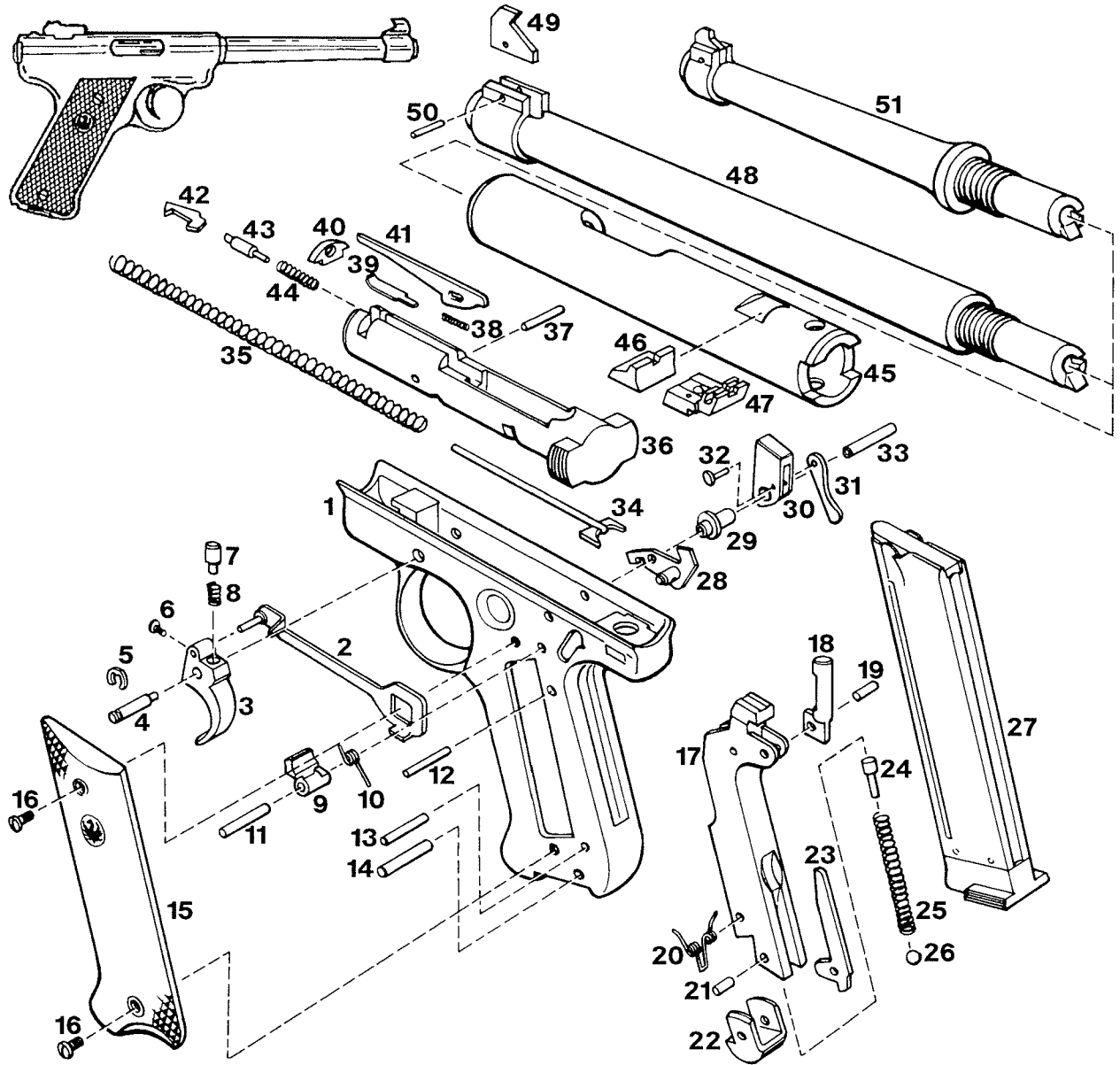


1	Barrel	21	Grip Frame Screw, Bottom	40	Rear Sight Elevation Springs
2	Base Pin Assembly	22	Grip Frame Screw and Pivot Lock	41	Rear Sight Pivot Pin
3	Cylinder	23	Grip Panel, Right	42	Rear Sight Windage Adjustment Screw
4	Cylinder Frame	24	Grip Panel, Left	43	Rear Sight Windage Spring
5	Cylinder Latch Spring	25	Grip Panel Dowel	44	Recoil Plate
6	Cylinder Latch Spring Plunger	26	Grip Panel Ferrule	45	Recoil Plate Cross Pin
7	Cylinder Latch	27	Grip Panel Screw	46	Transfer Bar
8	Ejector Housing	28	Hammer Assembly	47	Trigger
9	Ejector Housing Screw	29	Hammer Pivot	48	Trigger Pivot
10	Ejector Rod Assembly	30	Hammer Plunger	49	Trigger Spring
11	Ejector Rod Spring	31	Hammer Plunger Pin	50	Trigger Spring Pin
12	Firing Pin	32	Hammer Plunger Spring	51	Trigger Spring Retaining Pin
13	Firing Pin Rebound Spring	33	Hammer Strut	52	Base Pin Latch
14	Front Sight	34	Mainspring	53	Base Pin Latch Nut
15	Front Sight Screw	35	Mainspring Seat	54	Base Pin Latch Spring
16	Gate	36	Pawl	55	Rear Sight Base
17	Gate Detent Spring and Retainer	37	Pawl Spring and Plunger		
18	Grip Frame	38	Rear Sight Blade		
19	Grip Frame Screw, Front	39	Rear Sight Elevation Screw		
20	Grip Frame Screw, Back				

Parts Not Shown

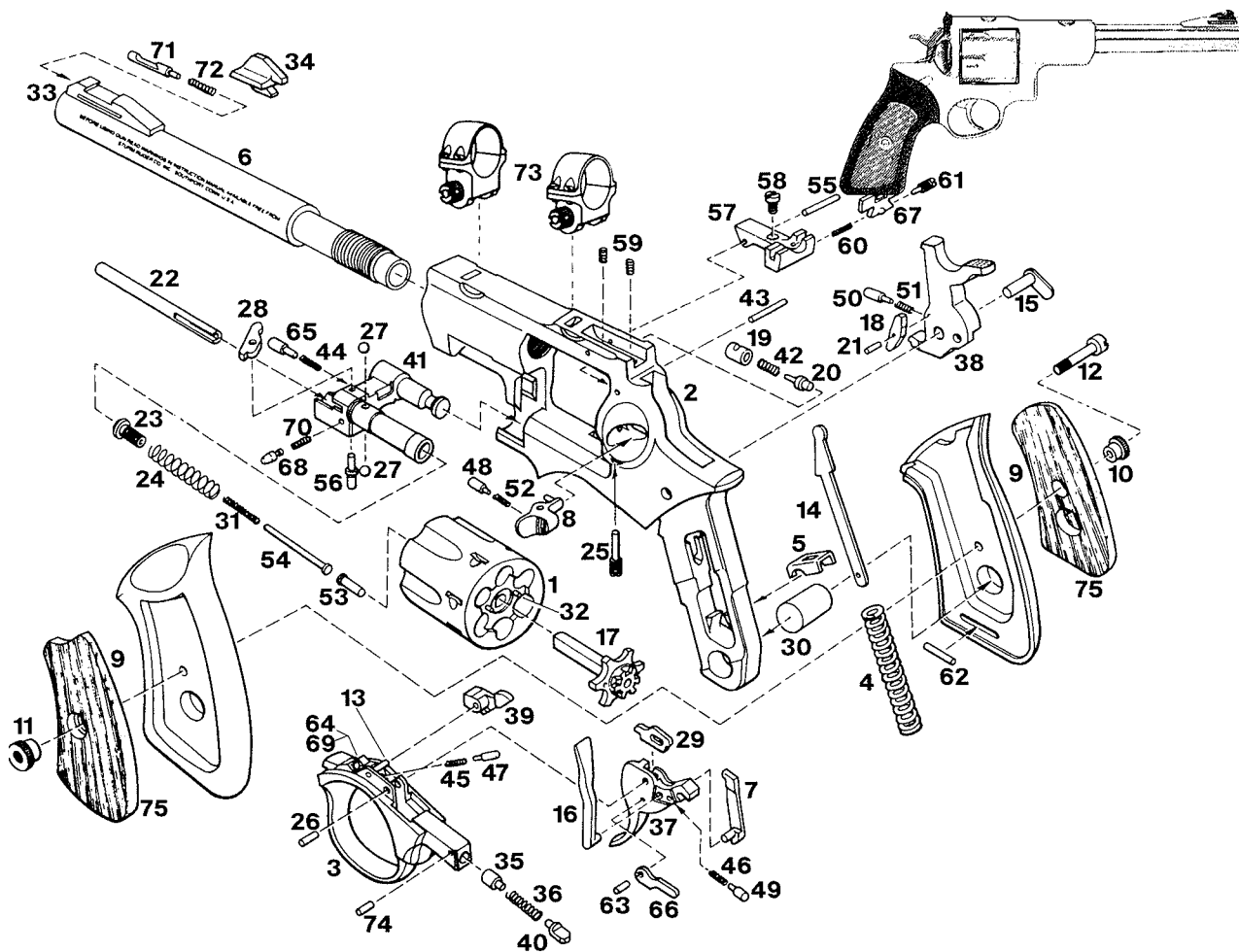
- Medallion
- Rear Sight Detent Ball

Standard and Target Mark I Auto



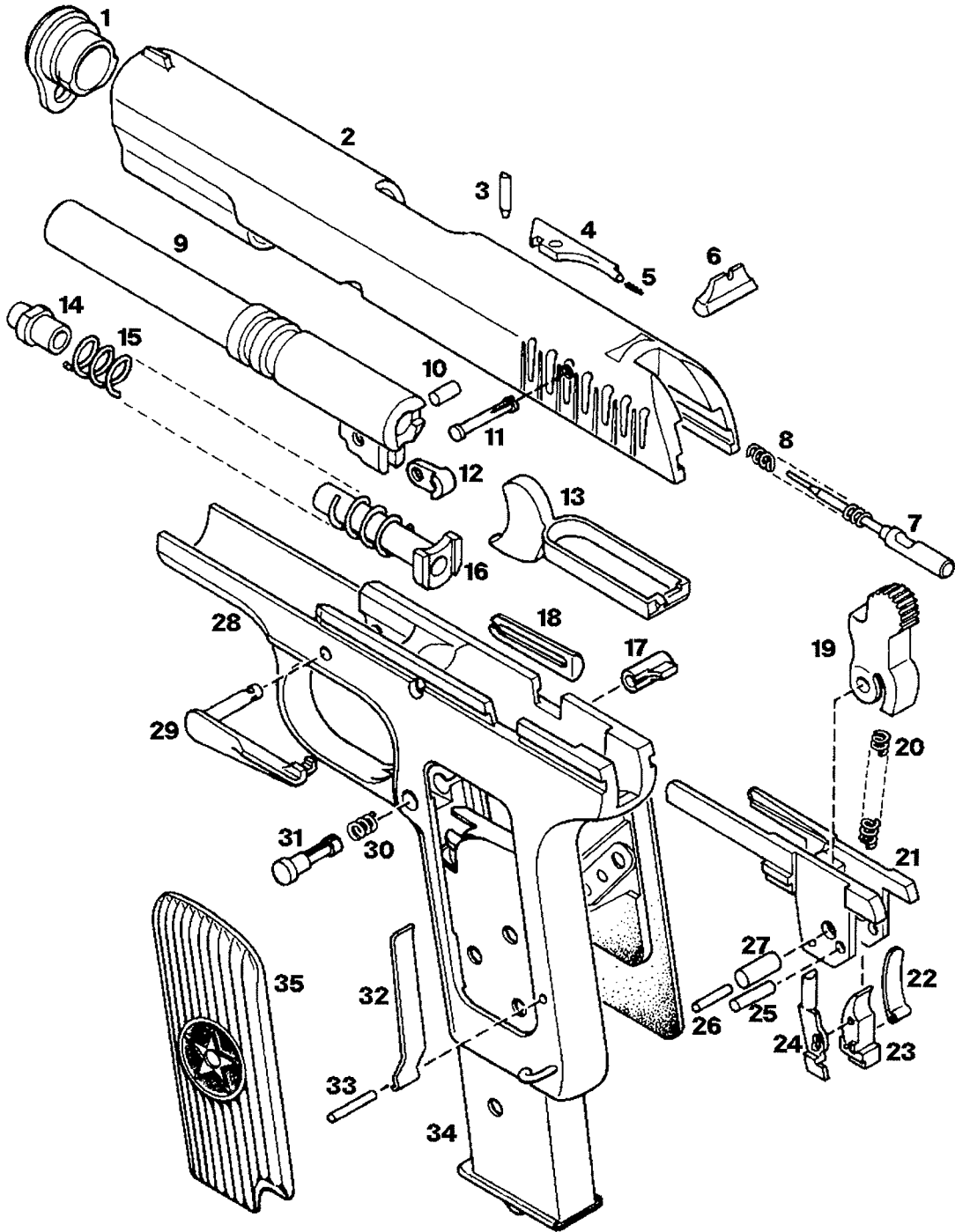
1	Frame	18	Bolt Stop	35	Recoil Spring
2	Disconnecter	19	Bolt Stop Pivot Pin	36	Bolt
3	Trigger	20	Magazine Catch Spring	37	Firing Pin Stop
4	Trigger Pin	21	Housing Latch Pivot Pin	38	Rebound Spring
5	Trigger Pin Lock Washer	22	Magazine Catch	39	Rebound Spring Support
6	Trigger Stop Screw (Mk. I)	23	Housing Latch	40	Recoil Spring Support
7	Trigger Spring Plunger	24	Mainspring Plunger	41	Firing Pin
8	Trigger Spring	25	Mainspring	42	Extractor
9	Sear	26	Detent Ball	43	Extractor Plunger
10	Sear Spring	27	Magazine Assembly	44	Extractor Spring
11	Sear Pivot Pin	28	Safety Catch	45	Receiver
12	Sear Spring Stop Pin	29	Hammer Bushing	46	Rear Sight (Standard)
13	Magazine Catch Stop Pin	30	Hammer	47	Micro Rear Sight (Mk. I)
14	Magazine Catch Pivot Pin	31	Hammer Strut	48	Barrel (Mk. I)
15	Grip	32	Hammer Strut Pin	49	Front Sight Blade (Mk. I)
16	Grip Screws	33	Hammer Pivot Pin	50	Front Sight Pin (Mk. I)
17	Mainspring Housing	34	Recoil Spring Guide	51	Barrel Assembly (Standard)

Super Redhawk



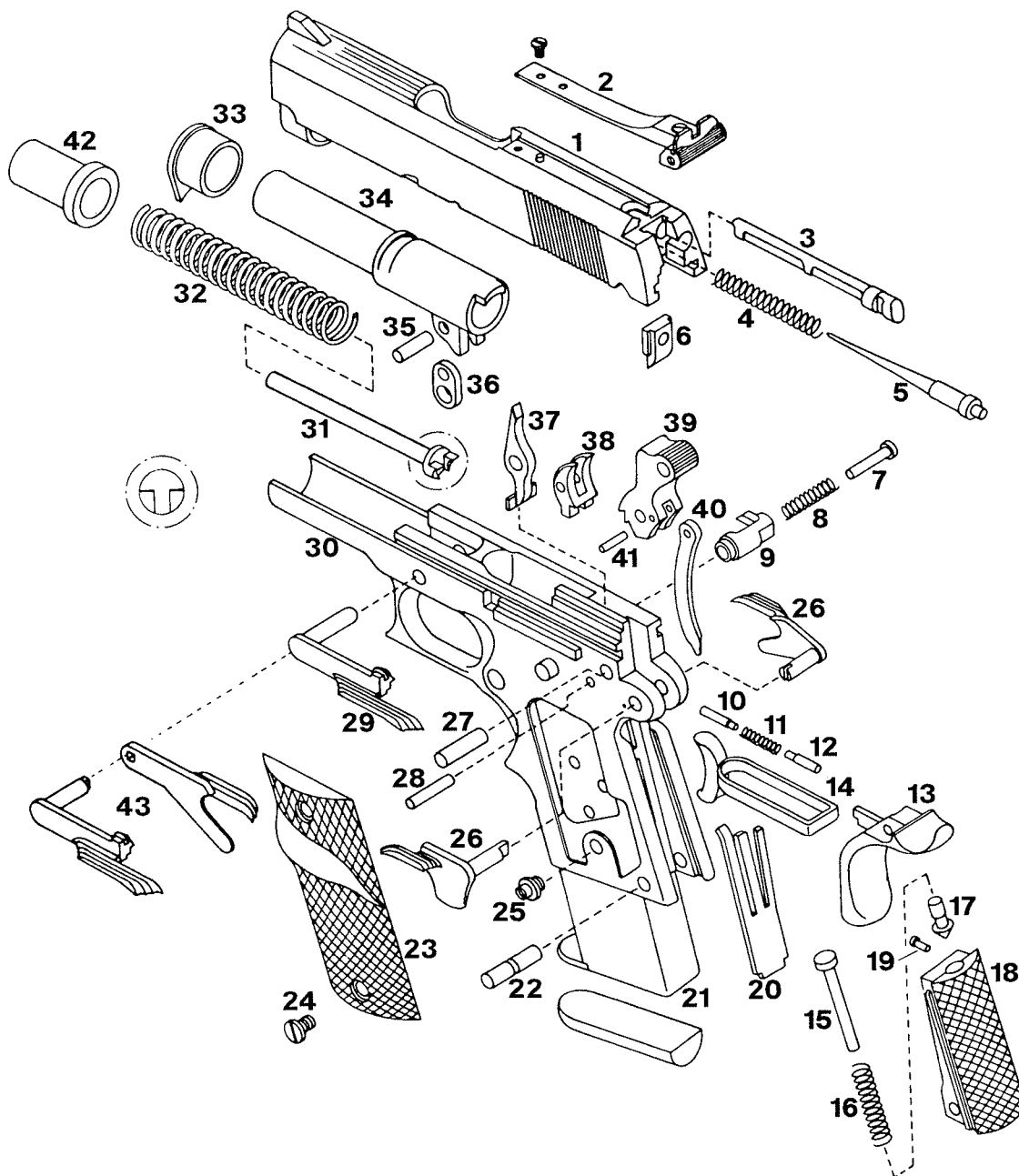
1	Cylinder	27	Cylinder Retaining Balls	53	Center Pin Lock
2	Frame	28	Front Latch	54	Center Pin Rod
3	Trigger Guard	29	Trigger Plunger	55	Rear Sight Cross Pin
4	Mainspring	30	Grip Panel Locator	56	Front Latch Pivot Pin
5	Mainspring Seat	31	Center Pin Spring	57	Rear Sight Base
6	Barrel	32	Ejector Alignment Pins	58	Rear Sight Elevation Screw
7	Pawl	33	Front Sight Base	59	Rear Sight Elevation Springs
8	Crane Latch	34	Front Sight	60	Rear Sight Windage Spring
9	Grip Panels/Panel Insert	35	Trigger Link Plunger	61	Rear Sight Windage Adjustment Screw
10	Grip Ferrule, Right	36	Trigger Guard Latch Spring	62	Disassembly Pin
11	Grip Ferrule, Left	37	Trigger	63	Trigger Link Pin
12	Grip Panel Screw	38	Hammer	64	Crane Pivot Lock Plunger
13	Cylinder Latch Pivot	39	Cylinder Latch	65	Front Latch Spring Plunger
14	Hammer Strut	40	Trigger Guard Latch	66	Trigger Link
15	Hammer Pivot Assembly	41	Crane and Crane Pivot Assembly	67	Rear Sight Blade
16	Transfer Bar	42	Firing Pin Rebound Spring	68	Front Latch Pivot Lock
17	Ejector	43	Recoil Plate Cross Pin	69	Crane Pivot Lock Spring
18	Hammer Dog	44	Cylinder Latch Spring	70	Front Latch Pivot Lock Spring
19	Recoil Plate	45	Front Latch Spring	71	Front Sight Plunger
20	Firing Pin	46	Pawl Plunger Spring	72	Front Sight Plunger Spring
21	Hammer Dog Pivot Pin	47	Cylinder Latch Plunger	73	Scope Rings
22	Ejector Rod	48	Crane Latch Plunger	74	Trigger Guard Latch Pin
23	Ejector Retainer	49	Pawl Plunger	75	Grips
24	Ejector Spring	50	Hammer Dog Plunger		
25	Crane Latch Pivot	51	Hammer Dog Spring		
26	Trigger Pivot Pin	52	Crane Latch Button Spring		

Tokarev Auto



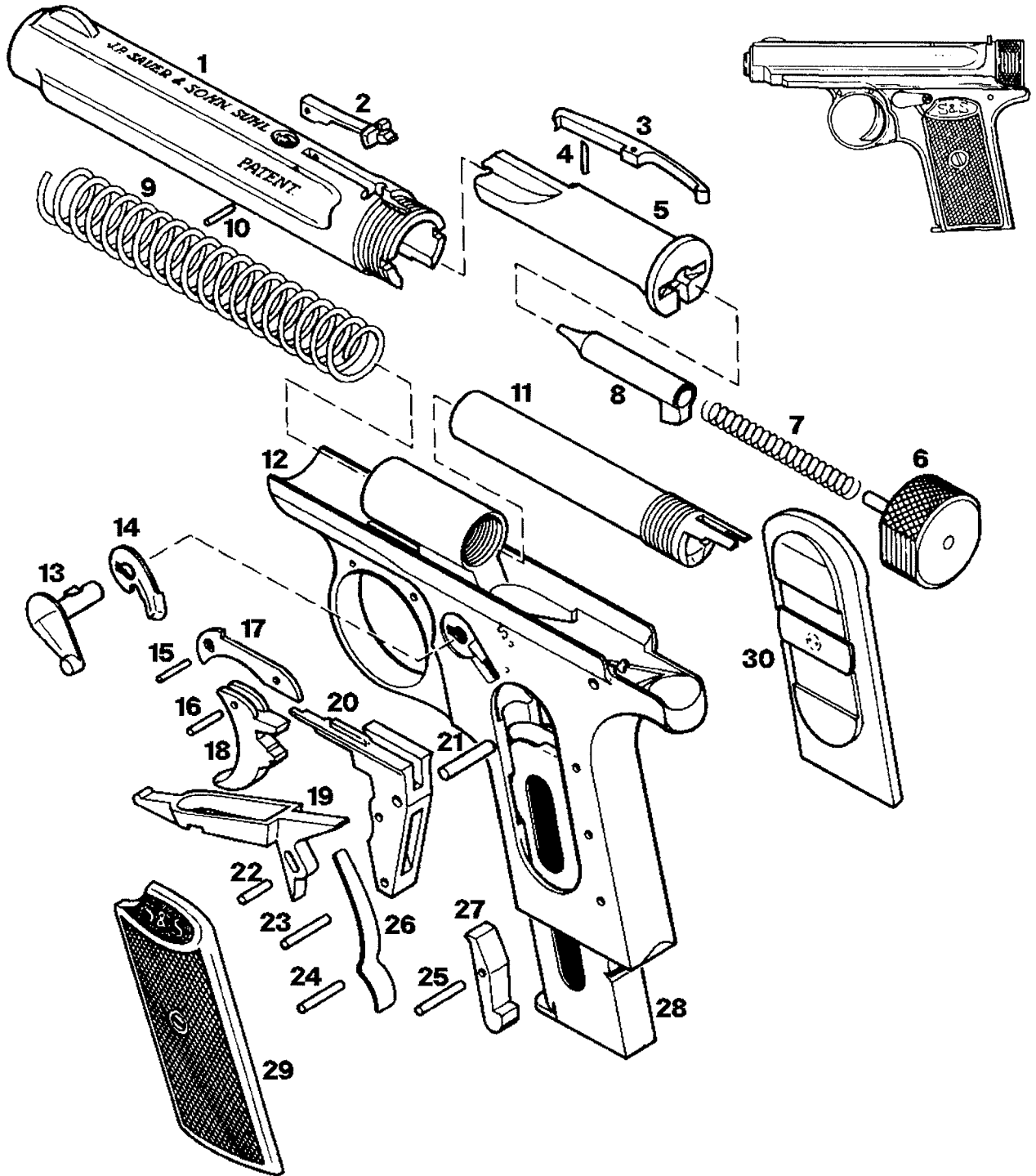
1	Barrel Bushing	13	Trigger	25	Spring Retainer Pin
2	Slide	14	Recoil Spring Retainer	26	Sear Pin
3	Extractor Pin	15	Recoil Spring	27	Hammer Pin
4	Extractor	16	Recoil Spring Guide	28	Frame
5	Extractor Spring	17	Magazine Catch	29	Slide Latch
6	Rear Sight	18	Slide Stop Retainer Clip	30	Magazine Catch Spring
7	Firing Pin	19	Hammer	31	Magazine Catch Spring Guide
8	Firing Pin Spring	20	Hammer Spring	32	Trigger Return Spring
9	Barrel	21	Hammer Mechanism Housing	33	Spring Retainer Pin
10	Barrel Link Pin	22	Sear Spring	34	Magazine Assembly
11	Firing Pin Retainer Pin	23	Sear	35	Grip Panel
12	Barrel Link	24	Disconnecter		

Enforcer and Matchmaster Auto

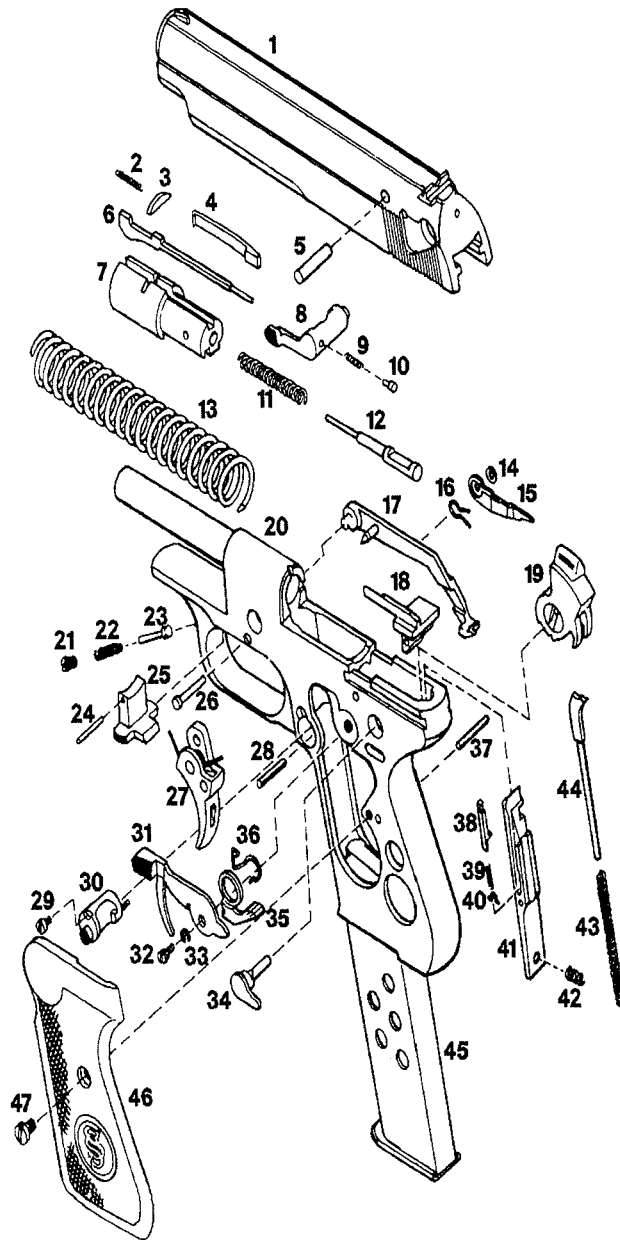


1	Slide	16	Mainspring	31	Recoil Spring Guide
2	Rear Sight and Screw	17	Mainspring Retainer	32	Recoil Spring
3	Extractor	18	Mainspring Housing	33	Barrel Bushing
4	Firing Pin Spring	19	Mainspring Cap Pin	34	Barrel
5	Firing Pin	20	Sear Spring	35	Barrel Link Pin
6	Firing Pin Stop	21	Magazine Assembly	36	Barrel Link
7	Magazine Catch Lock	22	Mainspring Housing Retention Pin	37	Disconnecter
8	Magazine Catch Spring	23	Grips	38	Sear
9	Magazine Catch	24	Grip Screw	39	Hammer
10	Slide Stop Plunger	25	Grip Screw Escutcheon	40	Hammer Strut
11	Plunger Spring	26	Safety	41	Hammer Strut Pin
12	Safety Plunger	27	Hammer Pin	42	Recoil Spring Plug
13	Beaver Tail	28	Sear Pin	43	Ambidextrous Slide Stop
14	Trigger	29	Slide Stop		
15	Mainspring Cap	30	Frame		

Model 1913 Auto



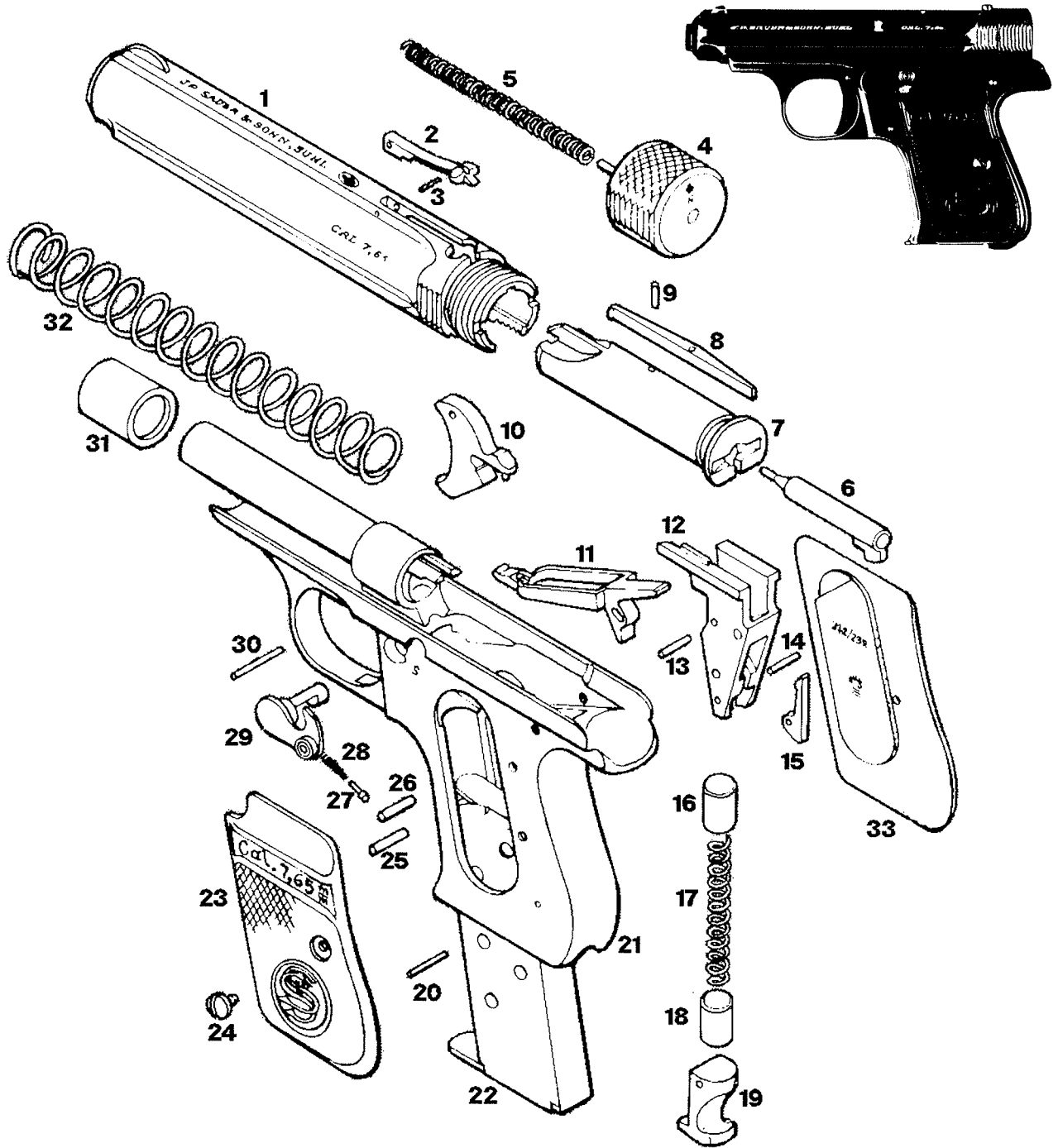
1	Slide	11	Barrel	21	Upper Sub-Frame Pin
2	Rear Sight and Latch	12	Frame	22	Trigger Bar Pin
3	Extractor	13	Safety Catch	23	Lower Sub-Frame Pin
4	Extractor Pin	14	Safety Catch Spring	24	Magazine Catch Spring Pin
5	Breechbolt	15	Slide Lock Pin	25	Magazine Catch Pin
6	Slide End Cap	16	Trigger Pin	26	Sear/Magazine Catch Spring
7	Firing Pin Spring	17	Slide Lock	27	Magazine Catch
8	Firing Pin	18	Trigger	28	Magazine Assembly
9	Recoil Spring	19	Trigger Bar and Sear	29	Grip Panel, Left
10	Rear Sight Pin	20	Mechanism Housing	30	Grip Panel, Right



1	Slide	17	Trigger Bar	33	Cocking Lever Hinge Screw
2	Cartridge Indicator Spring	18	Ejector		Retainer Clip
3	Cartridge Indicator Spring Retainer	19	Hammer	34	Hammer Extension
4	Extractor	20	Barrel and Frame Assembly	35	Hammer Lever
5	Breechblock Retainer Pin	21	Takedown Detent Spring Retainer	36	Cocking Lever Spring
6	Cartridge Indicator	22	Takedown Detent Spring	37	Sear Hinge Pin
7	Breechblock	23	Takedown Detent	38	Sear Disconnecter
8	Safety Catch	24	Takedown Latch Pin	39	Disconnecter Spring
9	Safety Detent Spring	25	Takedown Latch	40	Disconnecter Spring Retainer
10	Safety Detent	26	Trigger Pin	41	Sear
11	Firing Pin Spring	27	Trigger and Trigger Spring	42	Sear Spring
12	Firing Pin	28	Ejector Pin	43	Hammer Spring
13	Recoil Spring	29	Magazine Catch Retaining Screw	44	Hammer Strut
14	Magazine Safety Retainer	30	Magazine Catch and Spring	45	Magazine Assembly
15	Magazine Safety Bar	31	Cocking Lever	46	Grip Panel
16	Magazine Safety Spring	32	Cocking Lever Hinge Screw	47	Grip Screws

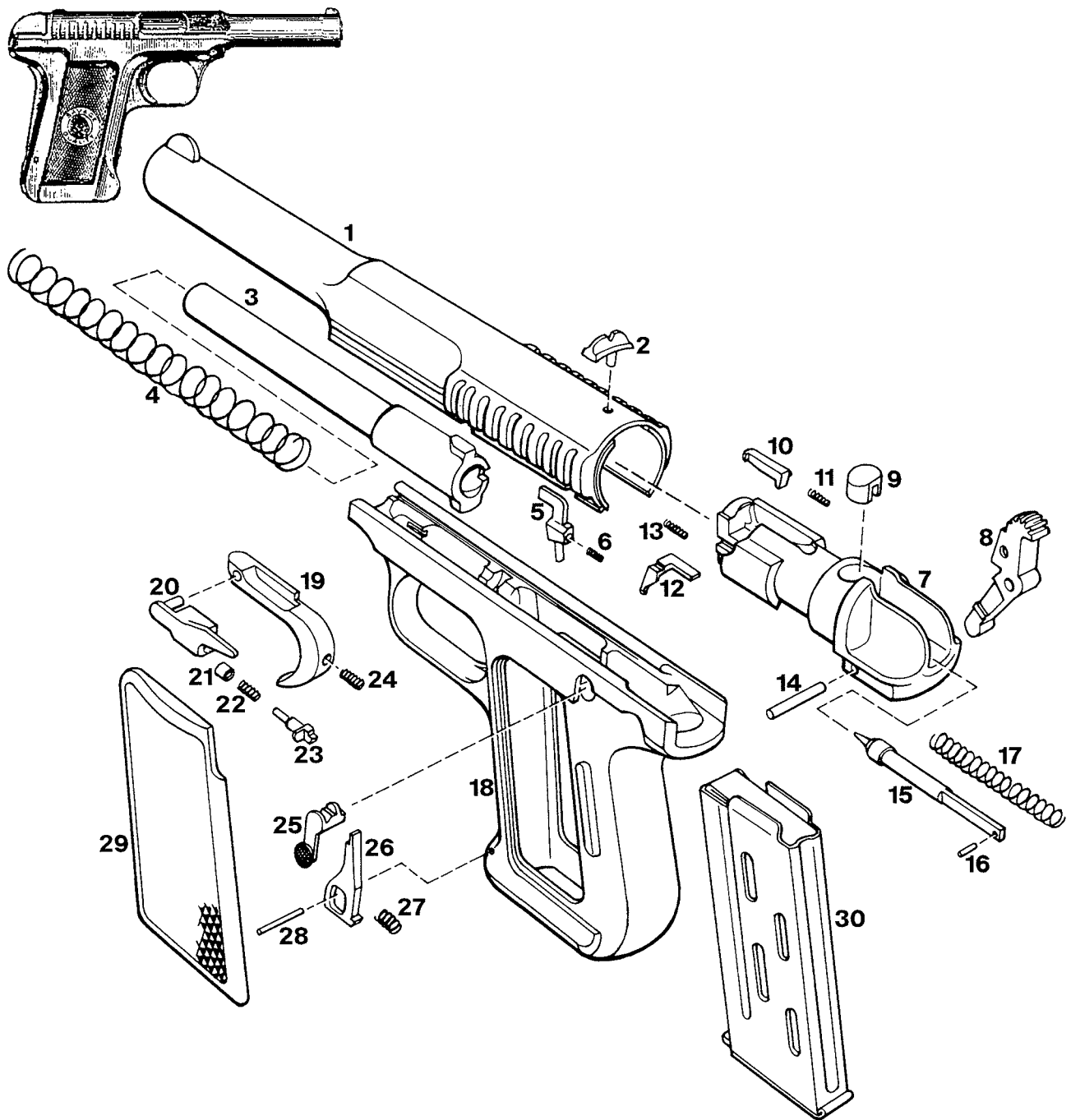
Model 1930 Auto

Courtesy of Blacksmith Corporation



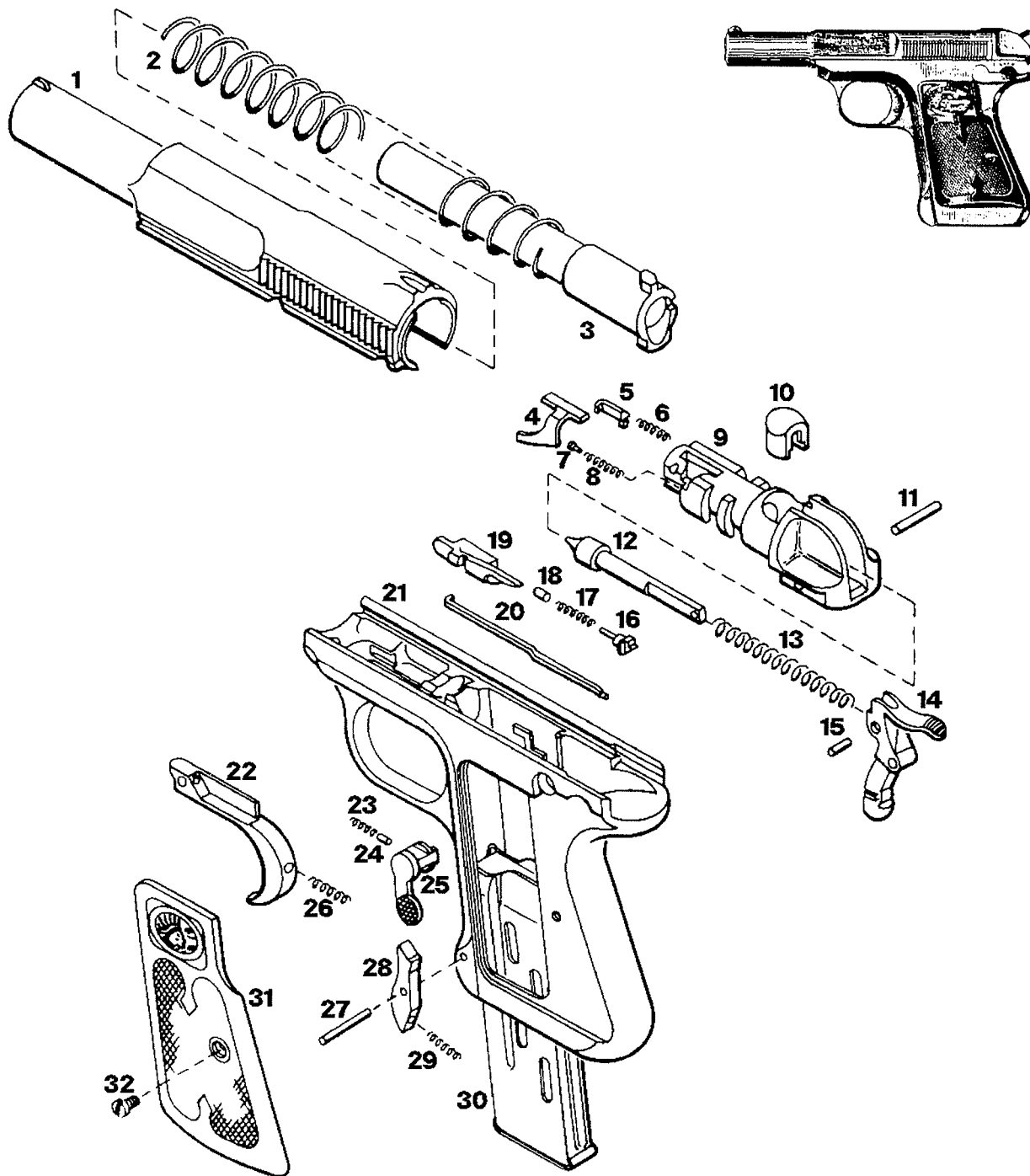
1	Slide	12	Mechanism Housing	23	Left Grip Panel
2	Rear Sight and Latch	13	Sear Pin	24	Grip Screws
3	Rear Sight and Latch Pin	14	Sear Cam Pin	25	Lower Mechanism Housing Pin
4	Slide Cap	15	Sear Cam	26	Upper Mechanism Housing Pin
5	Firing Pin Spring	16	Mainspring Follower	27	Safety Catch Detent Pin
6	Firing Pin	17	Mainspring	28	Safety Catch Detent Spring
7	Breechblock	18	Mainspring Cap	29	Safety Catch
8	Extractor	19	Magazine Catch	30	Trigger Pin
9	Extractor Pin	20	Magazine Catch Pin	31	Recoil Spring Guide
10	Trigger	21	Frame	32	Recoil Spring
11	Trigger Bar and Sear	22	Magazine Assembly	33	Right Grip Panel

Model 1910 Auto



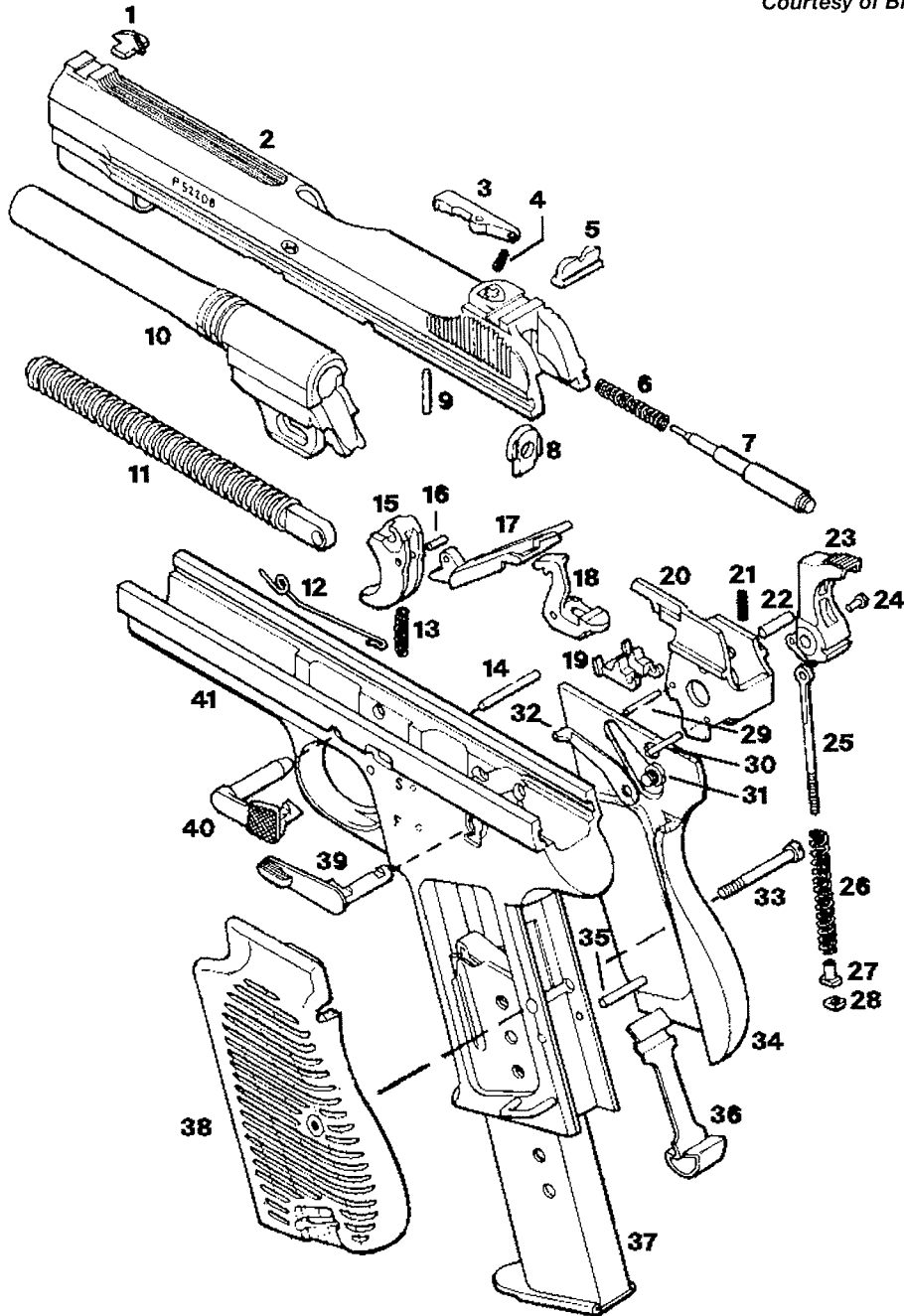
1	Slide	11	Extractor Spring	21	Sear Trip Lifter
2	Rear Sight	12	Sear	22	Sear Trip Spring
3	Barrel	13	Sear Spring	23	Sear Trip Catch
4	Recoil Spring	14	Cocking Lever Hinge Pin	24	Trigger Spring
5	Ejector	15	Firing Pin	25	Safety Catch
6	Safety Catch Spring	16	Firing Pin Hinge Pin	26	Magazine Catch
7	Breech Plug	17	Firing Pin Spring	27	Magazine Catch Spring
8	Cocking Lever Hammer	18	Frame	28	Magazine Catch Pin
9	Firing Pin Retainer	19	Trigger	29	Grip
10	Extractor	20	Sear Trip	30	Magazine Assembly

Model 1917 Auto



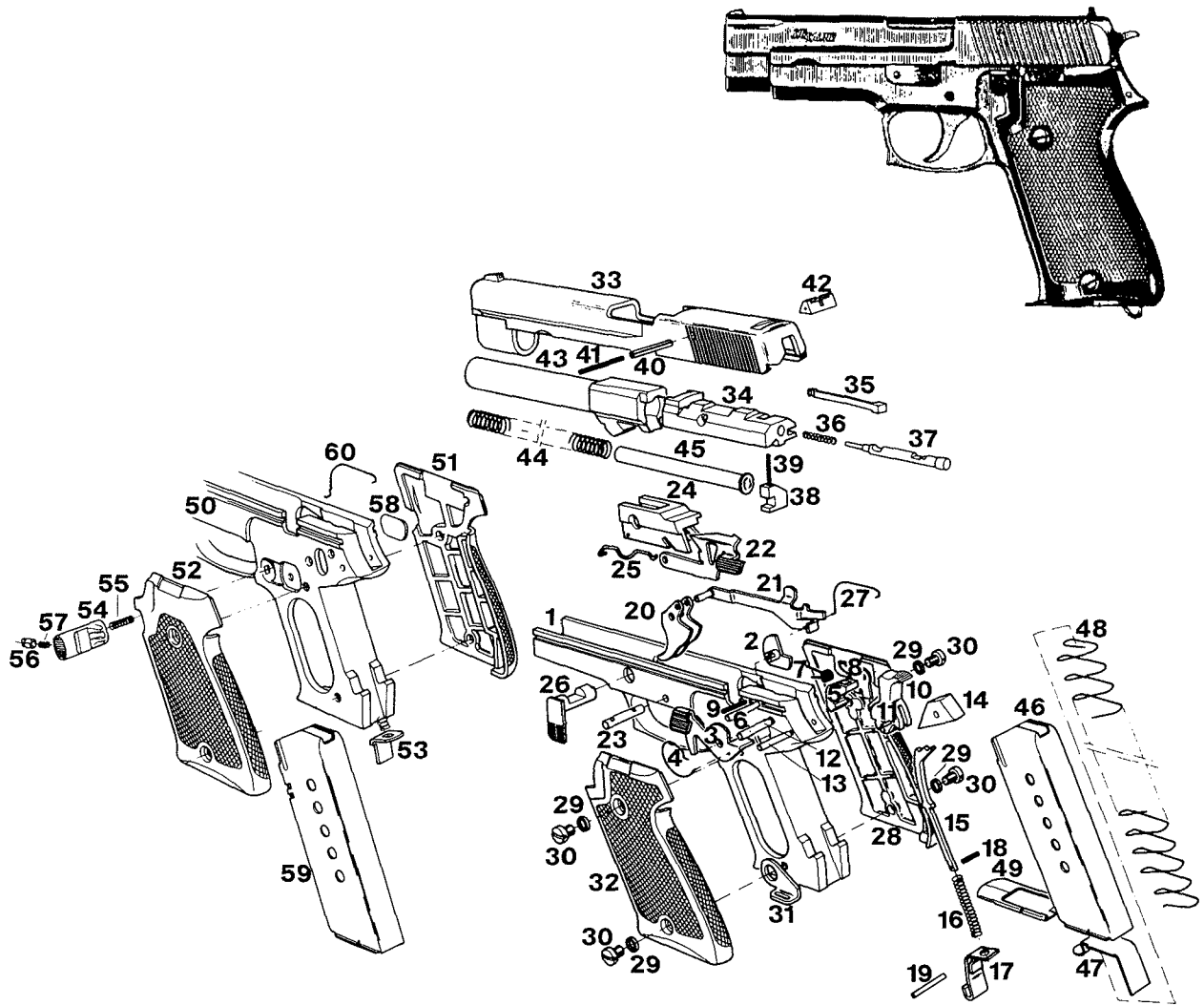
1	Slide	12	Firing Pin	23	Safety Catch Spring
2	Recoil Spring	13	Firing Pin Spring	24	Safety Catch Spring Plunger
3	Barrel	14	Cocking Lever	25	Safety Catch
4	Sear	15	Firing Pin Hinge Pin	26	Trigger Spring
5	Extractor	16	Sear Trip Catch	27	Magazine Catch Pin
6	Extractor Spring	17	Sear Trip Spring	28	Magazine Catch
7	Sear Spring Plunger	18	Sear Trip Lifter	29	Magazine Catch Spring
8	Sear Spring	19	Sear Trip	30	Magazine Assembly
9	Breech Plug	20	Trigger Bar	31	Grip Panel
10	Firing Pin Retainer	21	Frame	32	Grip Screws
11	Cocking Lever Hinge Pin	22	Trigger		

Courtesy of Blacksmith Corporation

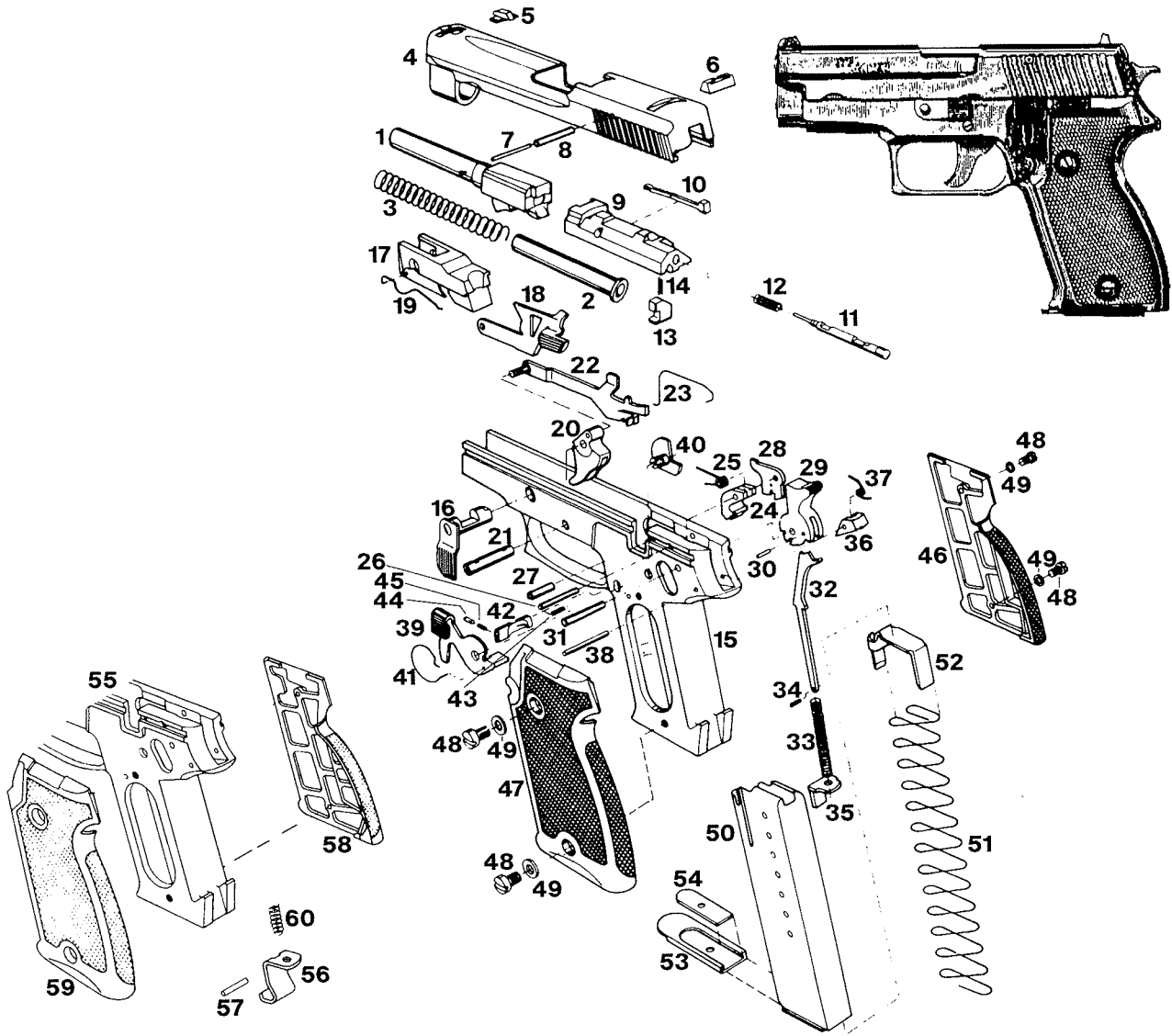


1	Front Sight	15	Trigger	29	Sear Hinge Pin
2	Slide	16	Trigger Bar Pin	30	Pressure Plate Stop Pin
3	Extractor	17	Trigger Bar	31	Magazine Disconnecter Screw
4	Extractor Spring	18	Sear	32	Magazine Disconnecter
5	Rear Sight	19	Sear Pressure Plate	33	Grip Screw
6	Firing Pin Spring	20	Sear and Hammer Housing	34	Right Grip Panel
7	Firing Pin	21	Sear Spring	35	Magazine Catch Pin
8	Firing Pin Retainer	22	Hammer Hinge Pin	36	Magazine Catch
9	Extractor Hinge Pin	23	Hammer	37	Magazine Assembly
10	Barrel	24	Hammer Strut Pin	38	Left Grip Panel
11	Recoil Spring Assembly	25	Hammer Strut	39	Safety Catch
12	Slide Stop Spring	26	Hammer Spring	40	Slide Stop
13	Trigger Spring	27	Hammer Spring Retainer Nut	41	Frame
14	Trigger Hinge Pin	28	Hammer Spring Retainer Lock Nut		

P220 Auto

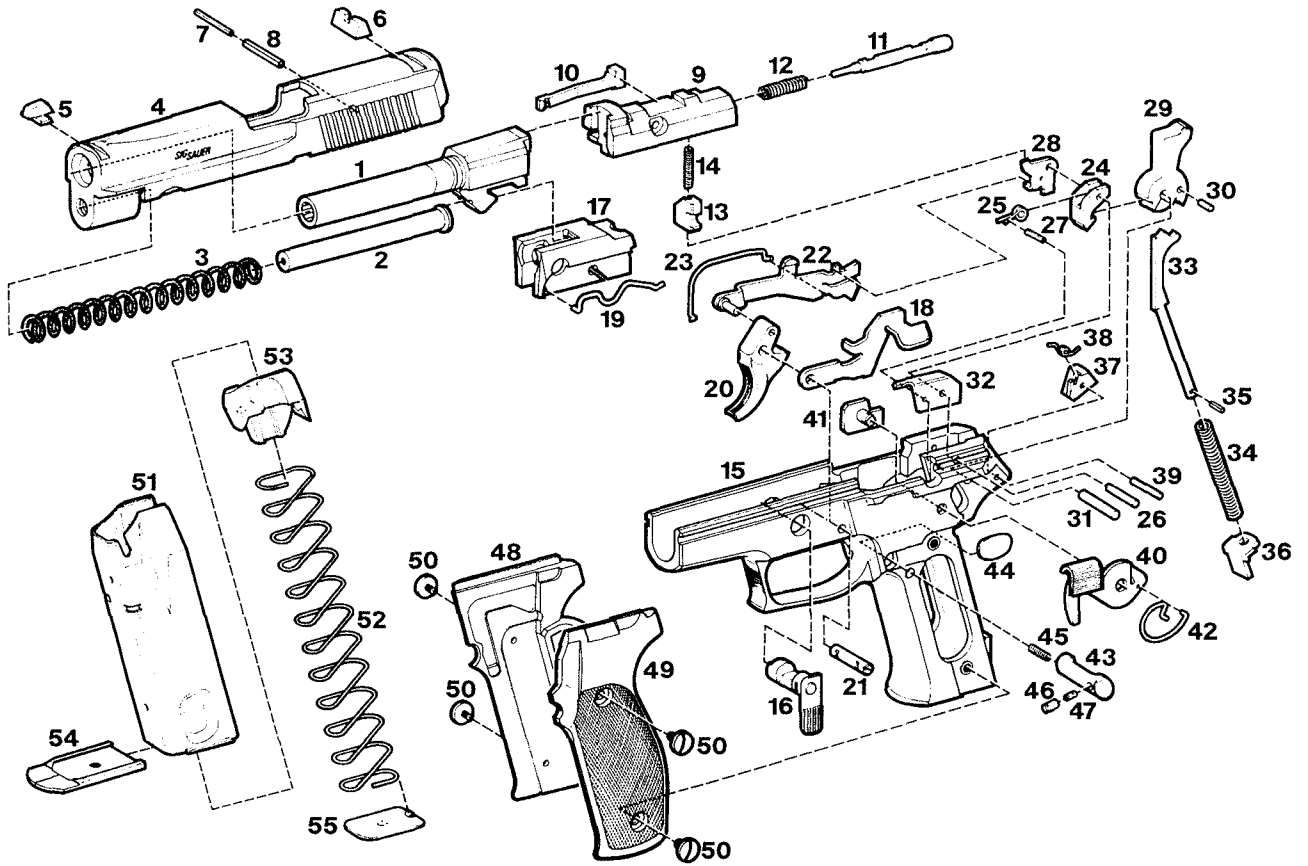


1	Frame	22	Slide Catch Lever	42	Rear Sight
2	Decocking Lever Bearing	23	Trigger Pivot	43	Barrel
3	Decocking Lever	24	Locking Insert	44	Recoil Spring
4	Decocking Lever Spring	25	Slide Catch Lever Spring	45	Recoil Spring Guide
5	Sear	26	Takedown Lever	46	Magazine Body
6	Sear Shaft	27	Trigger Bar Spring	47	Magazine Follower
7	Sear Spring	28	Right Grip Panel	48	Magazine Spring
8	Safety-Lever	29	Grip Screw Washers	49	Magazine Floorplate
9	Spring Pin	30	Grip Screws	P220 American Parts Only	
10	Hammer	31	Lanyard Loop	50	Frame
11	Hammer Strut Pin	32	Left Grip Panel	51	Right Grip Panel
12	Hammer Pivot Pin	33	Slide	52	Left Grip Panel
13	Hammer Stop Pin	34	Breechblock	53	Mainspring Seat
14	Hammer Stop	35	Extractor	54	Magazine Catch Spring
15	Hammer Strut	36	Firing Pin Spring	55	Magazine Catch Stop Spring
16	Mainspring	37	Firing Pin	56	Magazine Catch Stop Spring
17	Magazine Catch	38	Safety Lock	57	Magazine Catch Stop Spring
18	Mainspring Retaining Pin	39	Safety Lock Spring	58	Support Plate
19	Magazine Catch Pin	40	Outer Breechblock Retaining Pin	59	Magazine Body
20	Trigger	41	Inner Breechblock Retaining Pin	60	Trigger Bar Spring
21	Trigger Bar		Pin Lock Pin		

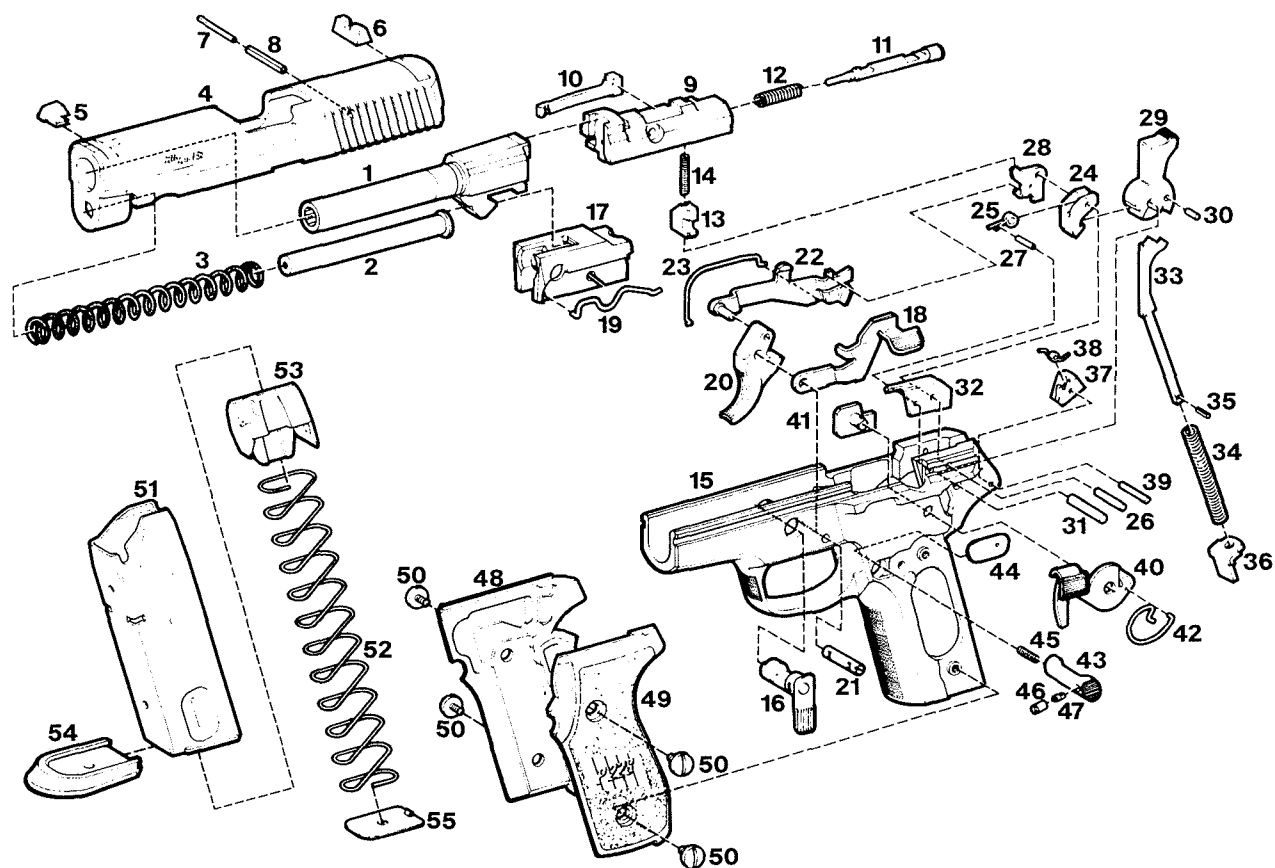


1	Barrel	21	Trigger Pivot	42	Magazine Catch
2	Recoil Spring Guide	22	Trigger Bar	43	Magazine Catch Spring
3	Recoil Spring	23	Trigger Bar Spring	44	Magazine Catch Stop
4	Slide	24	Sear	45	Magazine Stop Spring
5	Front Sight	25	Sear Spring	46	Right Grip Panel
6	Rear Sight	26	Sear Shaft	47	Left Grip Panel
7	Breechblock Retaining Pin	27	Sear Spring Pin	48	Grip Screws
8	Breechblock Retaining Pin	28	Safety-Lever	49	Grip Screw Washers
9	Breechblock	29	Hammer	50	Magazine Body
10	Extractor	30	Hammer Strut Pin	51	Magazine Spring
11	Firing Pin	31	Hammer Pivot Pin	52	Magazine Follower
12	Firing Pin Spring	32	Hammer Strut	53	Magazine Floorplate
13	Safety Lock	33	Mainspring	54	Magazine Spring Retainer
14	Safety Lock Spring	34	Mainspring Retaining Pin	P225 with Bottom Magazine Catch	
15	Frame	35	Mainspring Seat	Parts Only	
16	Takedown Lever	36	Hammer Stop	55	Frame
17	Locking Insert	37	Reset Spring	56	Magazine Catch
18	Slide Catch Lever	38	Hammer Stop Pin	57	Magazine Catch Pin
19	Slide Catch Lever Spring	39	Decocking Lever	58	Right Grip Panel
20	Trigger	40	Decocking Lever Bearing	59	Left Grip Panel
		41	Decocking Lever Spring	60	Magazine Catch Spring

P226 Auto

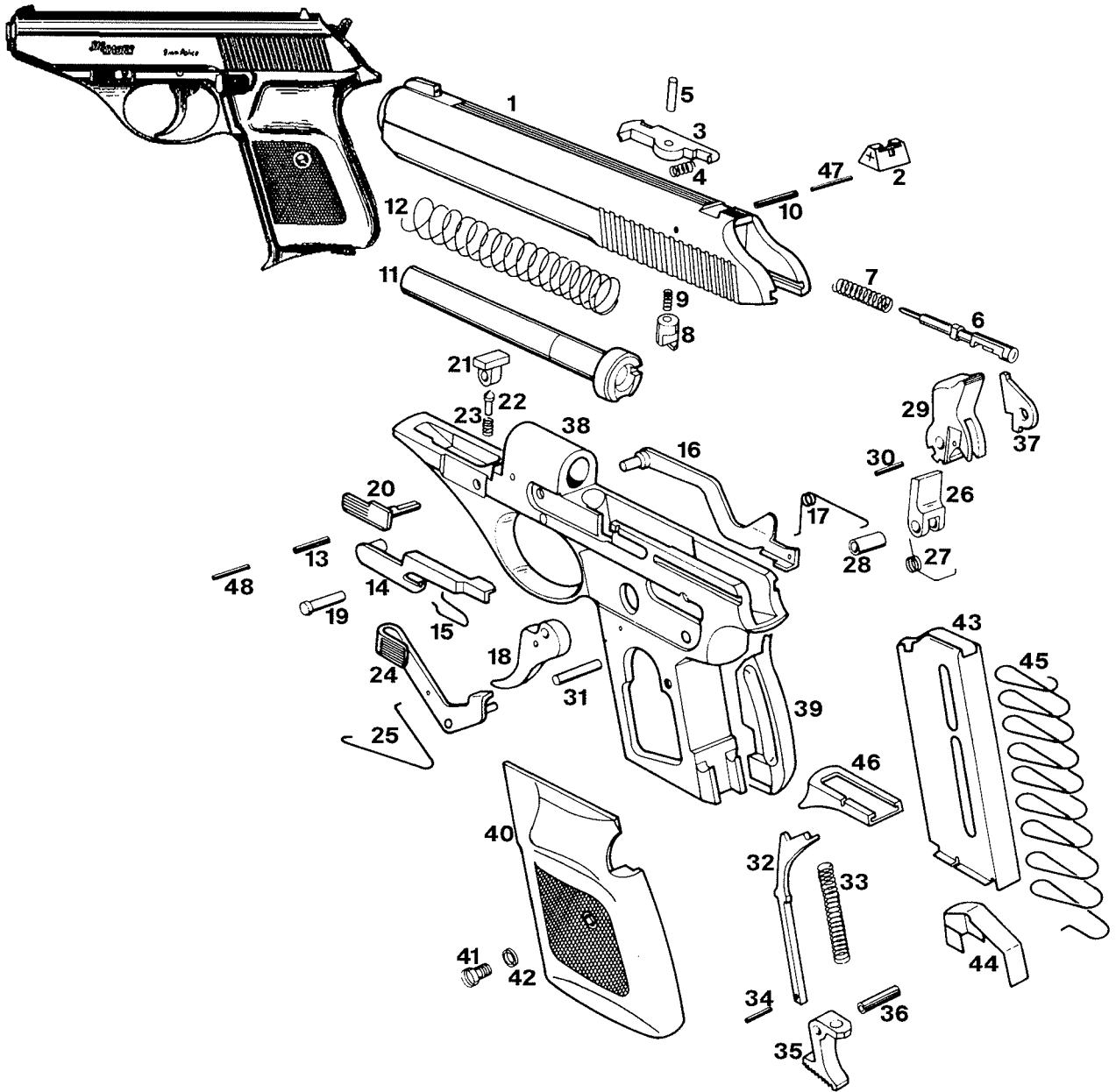


1	Barrel	18	Slide Catch Lever	37	Hammer Stop
2	Recoil Spring Guide	19	Slide Catch Lever Spring	38	Reset Spring
3	Recoil Spring	20	Trigger	39	Hammer Stop Pin
4	Slide	21	Trigger Pivot	40	Decocking Lever
5	Front Sight	22	Trigger Bar	41	Decocking Lever Bearing
6	Rear Sight	23	Trigger Bar Spring	42	Decocking Lever Spring
7	Breechblock Retaining Pin	24	Sear	43	Magazine Catch
8	Breechblock Retaining Pin	25	Sear Spring	44	Support Plate
9	Breechblock	26	Sear Shaft	45	Magazine Catch Spring
10	Extractor	27	Sear Spring Pin	46	Magazine Catch Stop
11	Firing Pin	28	Safety-Lever	47	Magazine Catch Stop Spring
12	Firing Pin Spring	29	Hammer	48	Right Grip Panel
13	Safety Lock	30	Hammer Strut Pin	49	Left Grip Panel
14	Safety Lock Spring	31	Hammer Pivot Pin	50	Grip Screws
15	Frame	32	Ejector	51	Magazine Body
16	Takedown Lever	33	Hammer Strut	52	Magazine Spring
17	Locking Insert	34	Mainspring	53	Magazine Follower
		35	Mainspring Retaining Pin	54	Magazine Floorplate
		36	Mainspring Seat	55	Magazine Spring Retainer



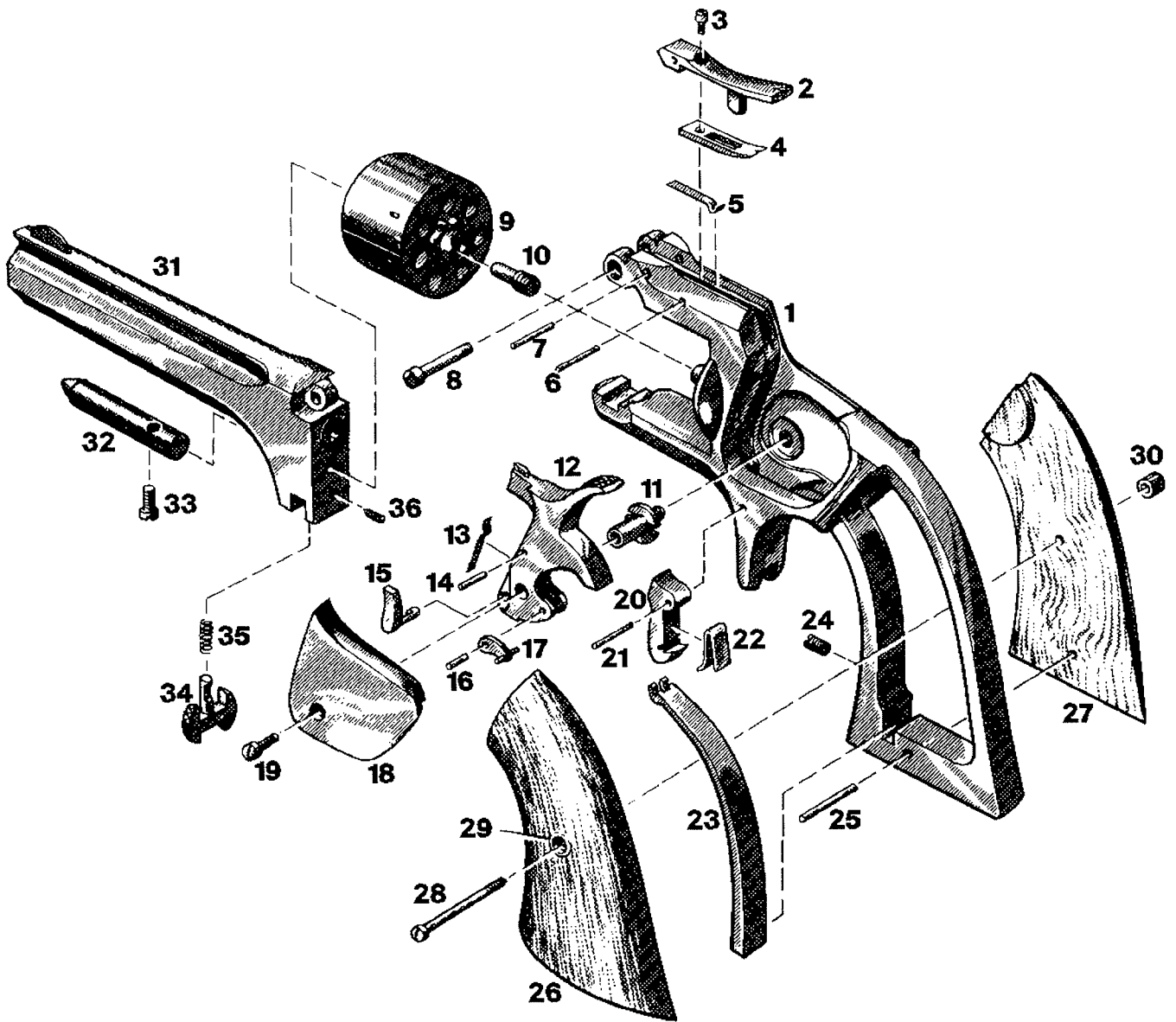
1	Barrel	19	Slide Catch Lever Spring	38	Reset Spring
2	Recoil Spring Guide	20	Trigger	39	Hammer Stop Pin
3	Recoil Spring	21	Trigger Pivot	40	Decocking Lever
4	Slide	22	Trigger Bar	41	Decocking Lever Bearing
5	Front Sight	23	Trigger Bar Spring	42	Decocking Lever Spring
6	Rear Sight	24	Sear	43	Magazine Catch
7	Breechblock Retaining Pin	25	Sear Spring	44	Support Plate
8	Breechblock Retaining Pin	26	Sear Shaft	45	Magazine Catch Spring
9	Breechblock	27	Sear Spring Pin	46	Magazine Catch Stop
10	Extractor	28	Safety-Lever	47	Magazine Catch Stop Spring
11	Firing Pin	29	Hammer	48	Right Grip Panel
12	Firing Pin Spring	30	Hammer Strut Pin	49	Left Grip Panel
13	Safety Lock	31	Hammer Pivot Pin	50	Grip Screws
14	Safety Lock Spring	32	Ejector	51	Magazine Body
15	Frame	33	Hammer Strut	52	Magazine Spring
16	Takedown Lever	34	Mainspring	53	Magazine Follower
17	Locking Insert	35	Mainspring Retaining Pin	54	Magazine Floorplate
18	Slide Catch Lever	36	Mainspring Seat	55	Magazine Spring Retainer
		37	Hammer Stop		

P230 Auto



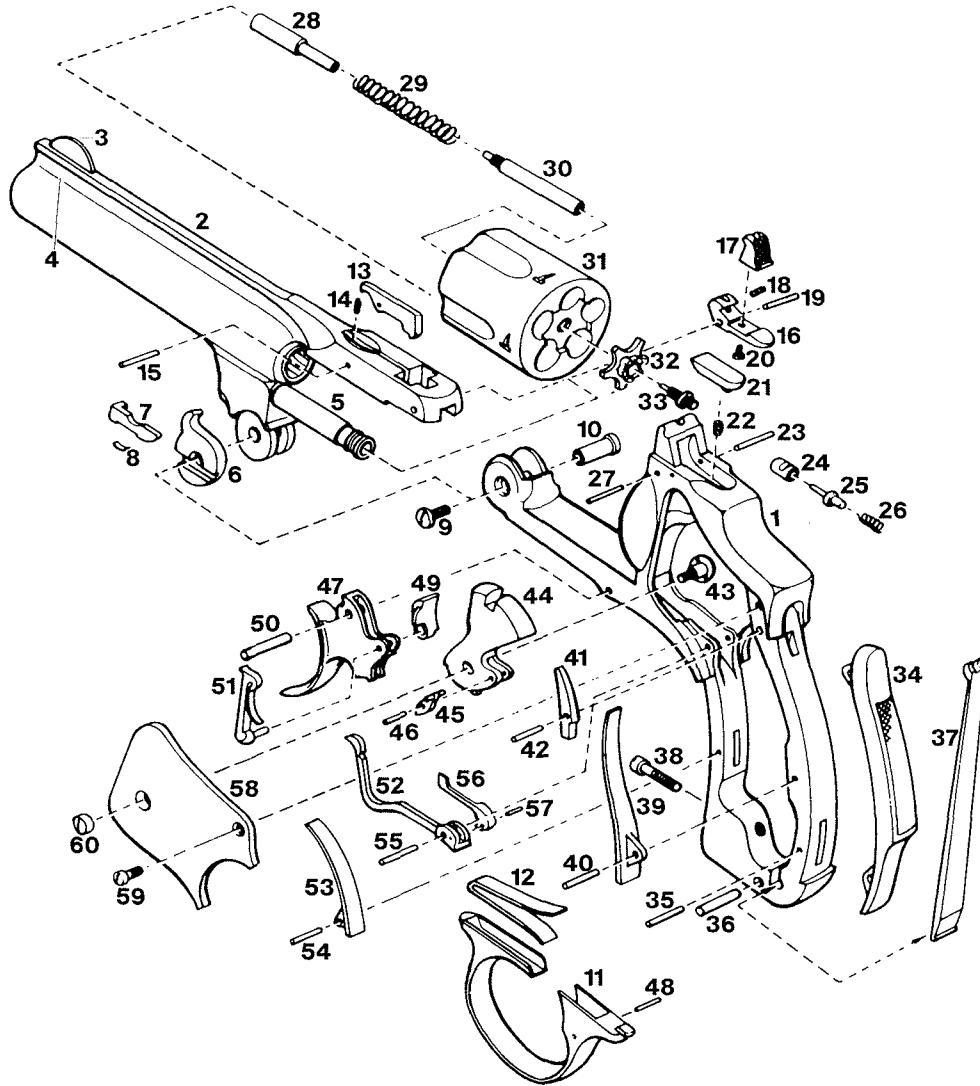
1	Slide	17	Trigger Bar Spring	33	Mainspring
2	Rear Sight	18	Trigger	34	Mainspring Retaining Pin
3	Extractor	19	Trigger Pivot	35	Magazine Catch
4	Extractor Spring	20	Takedown Latch Lever	36	Magazine Catch Pin
5	Extractor Pin	21	Takedown Latch	37	Safety-Lever
6	Firing Pin	22	Takedown Latch Plunger	38	Frame
7	Firing Pin Spring	23	Takedown Latch Spring	39	Right Grip Panel
8	Safety Lock	24	Decocking Lever	40	Left Grip Panel
9	Safety Lock Spring	25	Decocking Lever Spring	41	Grip Screws
10	Firing Pin Retaining Pin	26	Sear	42	Grip Screw Washers
11	Barrel	27	Sear Spring	43	Magazine Body
12	Recoil Spring	28	Sear Shaft	44	Magazine Follower
13	Barrel Retaining Pin	29	Hammer	45	Magazine Spring
14	Slide Catch Lever	30	Hammer Strut Pin	46	Magazine Floorplate
15	Slide Catch Spring	31	Hammer Pivot Pin	47	Firing Pin Retaining Pin Lock Pin
16	Trigger Bar	32	Hammer Strut	48	Barrel Retaining Pin Lock Pin

22 Model 1 (Second Issue) Revolver



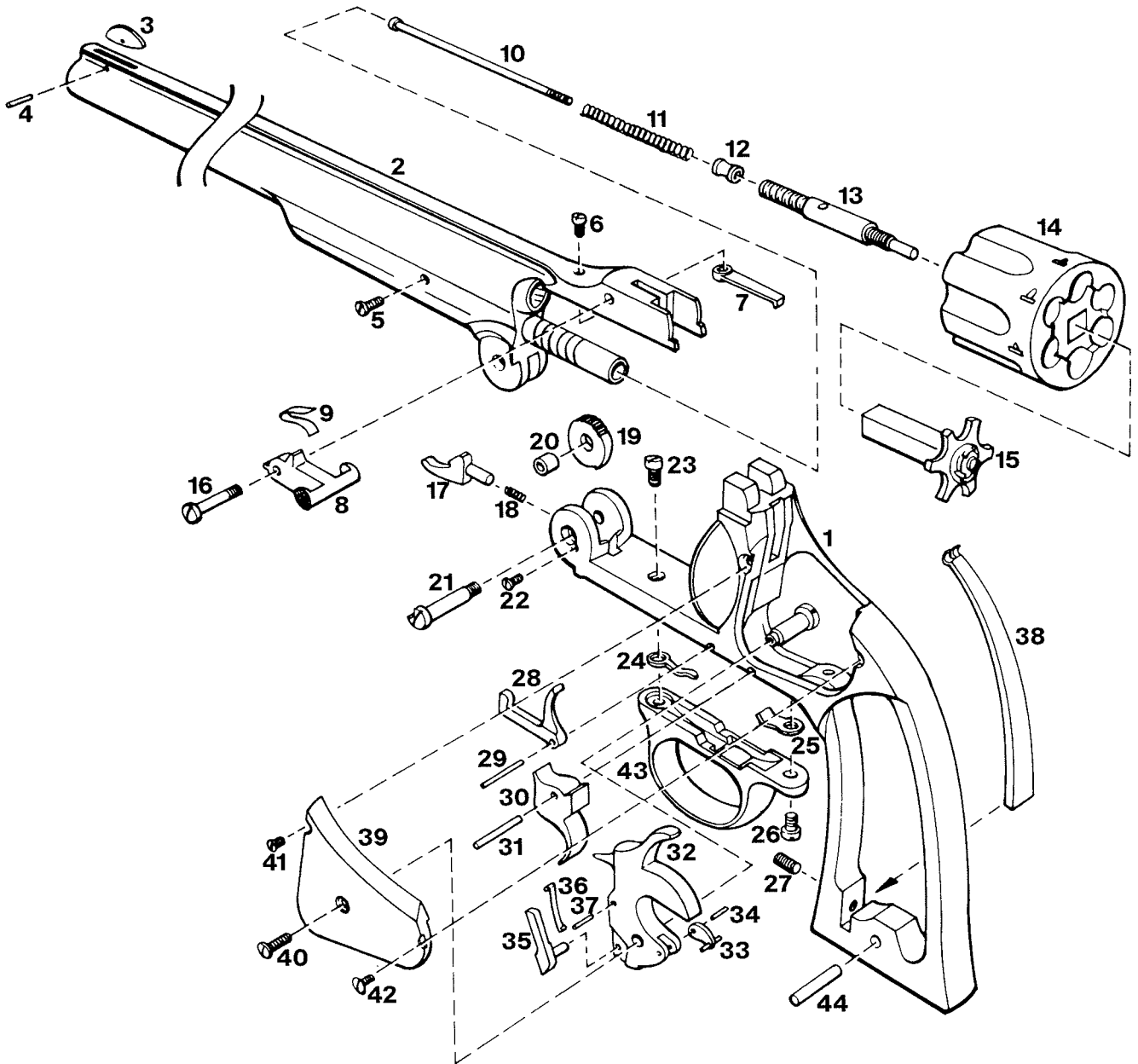
1	Frame	13	Hand Spring	25	Stock Locator Pin
2	Cylinder Stop	14	Hand Spring Pin	26	Left Grip
3	Cylinder Stop Screw	15	Hand	27	Right Grip
4	Cylinder Stop Striker	16	Stirrup Pin	28	Grip Screw
5	Cylinder Stop Spring	17	Stirrup	29	Grip Escutcheon
6	Cylinder Stop Spring Pin	18	Sideplate	30	Grip Escutcheon Nut
7	Cylinder Stop Pin	19	Sideplate Screw	31	Barrel
8	Barrel Pivot Screw	20	Trigger	32	Ejector Pin
9	Cylinder	21	Trigger Pin	33	Ejector Pin Screw
10	Cylinder Stud	22	Trigger Spring	34	Barrel Latch
11	Hammer Axis	23	Mainspring	35	Barrel Latch Spring
12	Hammer	24	Mainspring Strain Screw	36	Barrel Latch Screw

38 Safety Hammerless/ New Depature



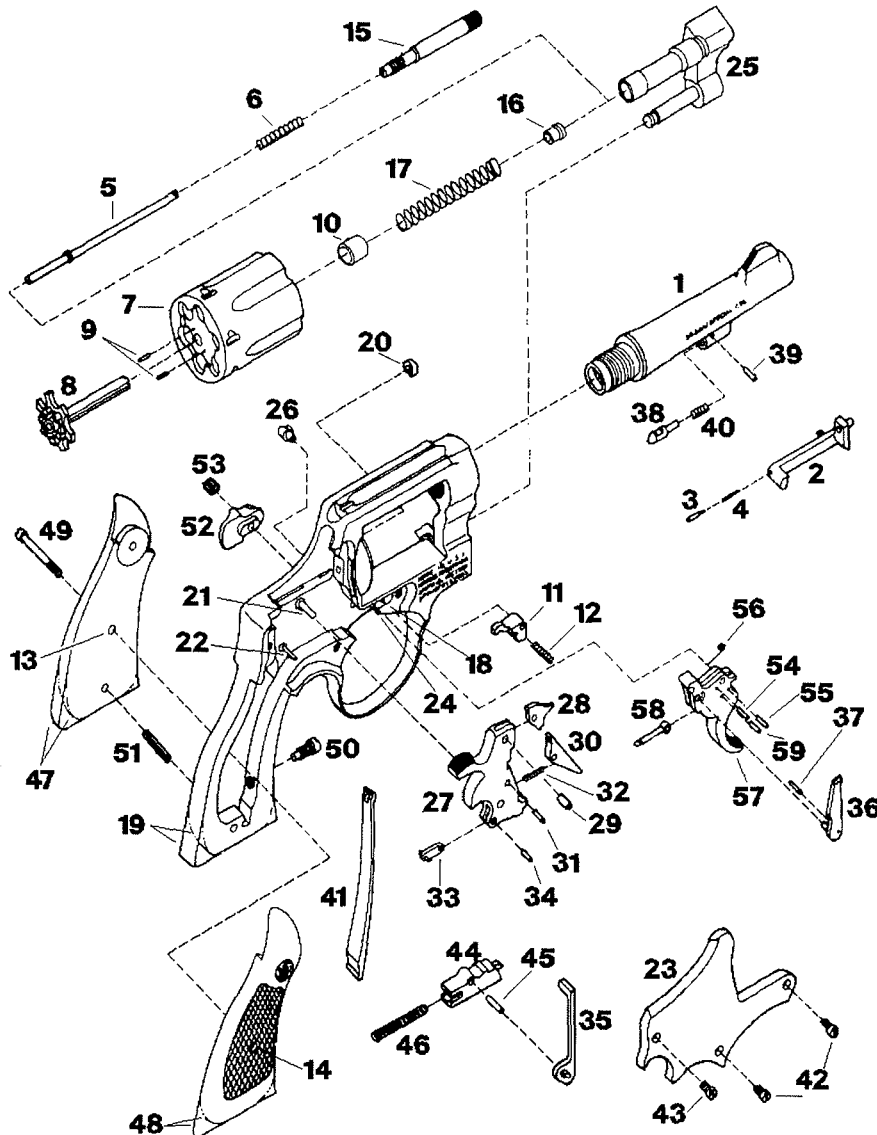
1	Frame	23	Barrel Catch Plate Pin	45	Stirrup
2	Barrel	24	Firing Pin Bushing	46	Stirrup Pin
3	Front Sight	25	Firing Pin	47	Trigger
4	Front Sight Pin	26	Firing Pin Spring	48	Trigger Stop Pin
5	Cylinder Base Pin	27	Firing Pin Bushing Retaining Pin	49	Sear
6	Extractor Cam	28	Extractor Spring	50	Trigger Pin
7	Extractor Cam Latch	29	Extractor Spring	51	Hammer and Spring
8	Extractor Cam Latch Spring	30	Extractor Rod	52	Cylinder Stop
9	Barrel Pivot Screw	31	Cylinder	53	Cylinder Stop Spring
10	Barrel Pivot	32	Extractor	54	Cylinder Stop Spring Pin
11	Trigger Guard	33	Extractor Stud	55	Cylinder Stop Pin
12	Trigger Spring	34	Safety-Lever	56	Split Spring
13	Cylinder Catch	35	Safety-Lever Pin	57	Split Spring Pin
14	Cylinder Catch Spring	36	Stock Pin	58	Sideplate
15	Cylinder Catch Pin	37	Mainspring	59	Slideplate Screw
16	Barrel Catch	38	Strain Screw	60	Hammer Stud Nut
17	Barrel Catch Thumb-Piece	39	Latch Spring	Parts Not Shown	
18	Barrel Catch Spring	40	Latch Spring Pin	Right Grip	
19	Barrel Catch Pin	41	Latch	Left Grip	
20	Barrel Catch Thumb-Piece Screw	42	Latch Pin	Grip Screw	
21	Barrel Catch Plate	43	Hammer Stud		
22	Barrel Catch Plate Spring	44	Hammer		

44 American Revolver



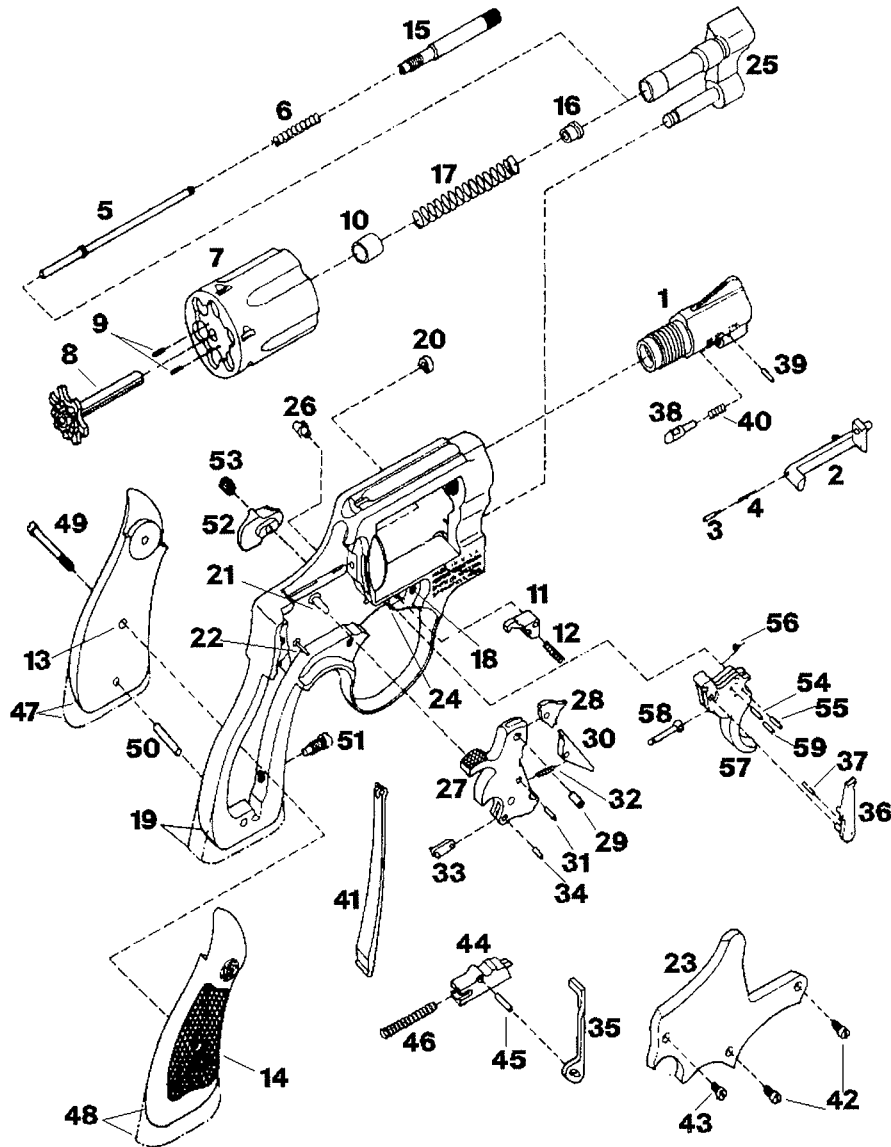
1	Frame	18	Ratchet Spring	35	Hand
2	Barrel	19	Ratchet	36	Hand Spring
3	Front Sight	20	Ratchet Bushing	37	Hand Spring Pin
4	Front Sight Pin	21	Barrel Pivot Screw	38	Mainspring
5	Cylinder Pin Screw	22	Barrel Pivot Locking Screw	39	Sideplate
6	Cylinder Catch Screw	23	Upper Trigger Guard Screw	40	Sideplate Hammer Pivot Screw
7	Cylinder Catch	24	Cylinder Stop Spring	41	Front Sideplate Screw
8	Barrel Release Catch	25	Trigger Spring	42	Rear Sideplate Screw
9	Barrel Release Spring	26	Lower Trigger Guard Screw	43	Trigger Guard
10	Extractor Lock Screw	27	Mainspring Set Screw	44	Grip Pin
11	Extractor Spring	28	Cylinder Stop	Parts Not Shown	
12	Extractor Spring Collar	29	Cylinder Stop Pin	Left Grip	
13	Cylinder Lift Screw	30	Trigger	Right Grip	
14	Cylinder	31	Trigger Pin	Grip Screw	
15	Extractor	32	Hammer		
16	Barrel Catch Screw	33	Stirrup		
17	Ratchet Pawl	34	Stirrup Pin		

Model 10 Revolver



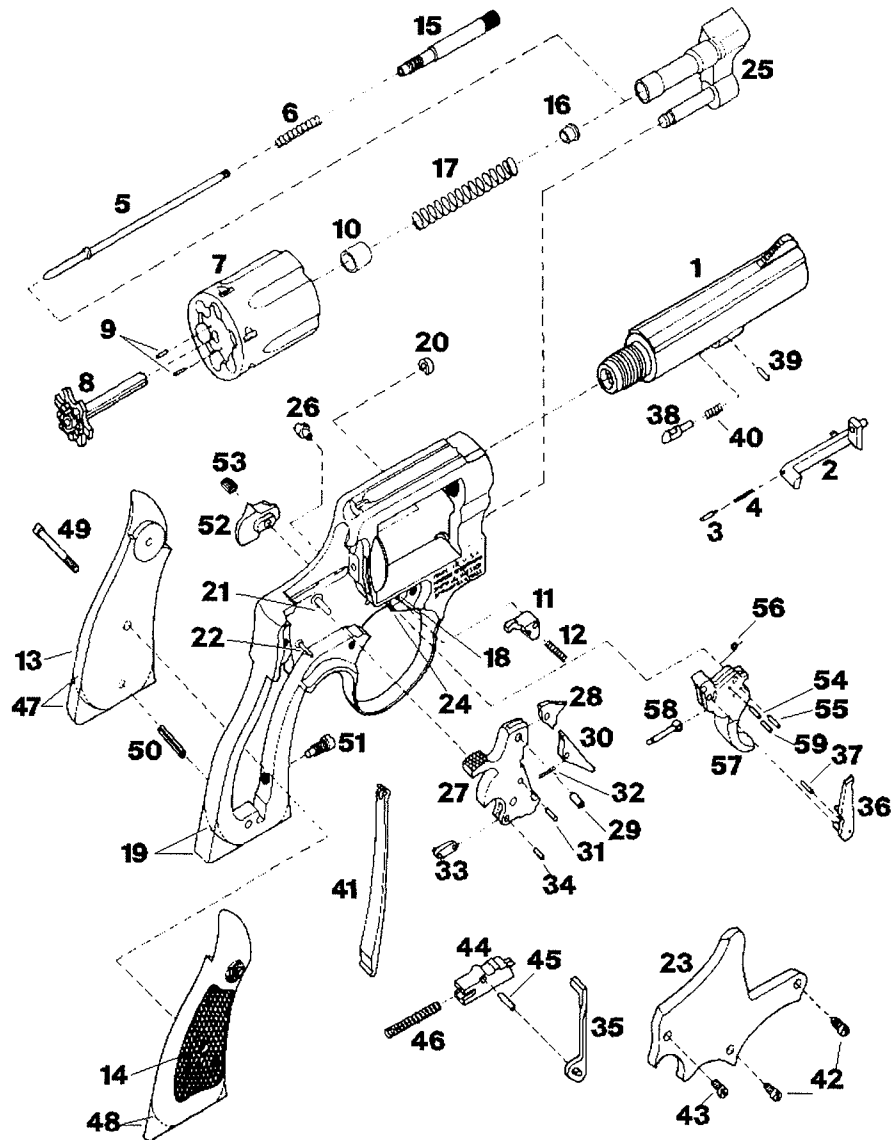
1	Barrel	21	Hammer Stud	41	Mainspring
2	Bolt	22	Rebound Slide Stud	42	Yoke Screws
3	Bolt Plunger	23	Sideplate	43	Sideplate Screw
4	Bolt Plunger Spring	24	Trigger Stud	44	Rebound Slide
5	Cylinder Center Pin	25	Yoke	45	Rebound Slide Pin
6	Cylinder Center Pin Spring	26	Frame Lug	46	Rebound Slide Spring
7	Cylinder	27	Hammer	47	Left Grip
8	Extractor	28	Hammer Nose	48	Right Grip
9	Extractor Pins	29	Hammer Nose Rivet	49	Grip Screw
10	Gas Ring	30	Sear	50	Mainspring Strain Screw
11	Cylinder Stop	31	Sear Pin	51	Grip Locator Pin
12	Cylinder Stop Spring	32	Sear Spring	52	Cylinder Latch Thumb-Piece
13	Grip Escutcheon	33	Stirrup	53	Cylinder Latch Thumb-Piece Nut
14	Grip Escutcheon Nut	34	Stirrup Pin	54	Hand Spring Pin
15	Extractor Rod	35	Hammer Block	55	Hand Spring Torsion Pin
16	Extractor Rod Collar	36	Hand	56	Hand Torsion Spring
17	Extractor Spring	37	Hand Pin	57	Trigger
18	Cylinder Stop Stud	38	Locking Bolt	58	Trigger Lever
19	Frame	39	Locking Bolt Pin	59	Trigger Lever Pin
20	Hammer Nose Bushing	40	Locking Bolt Spring		

Model 12 Revolver



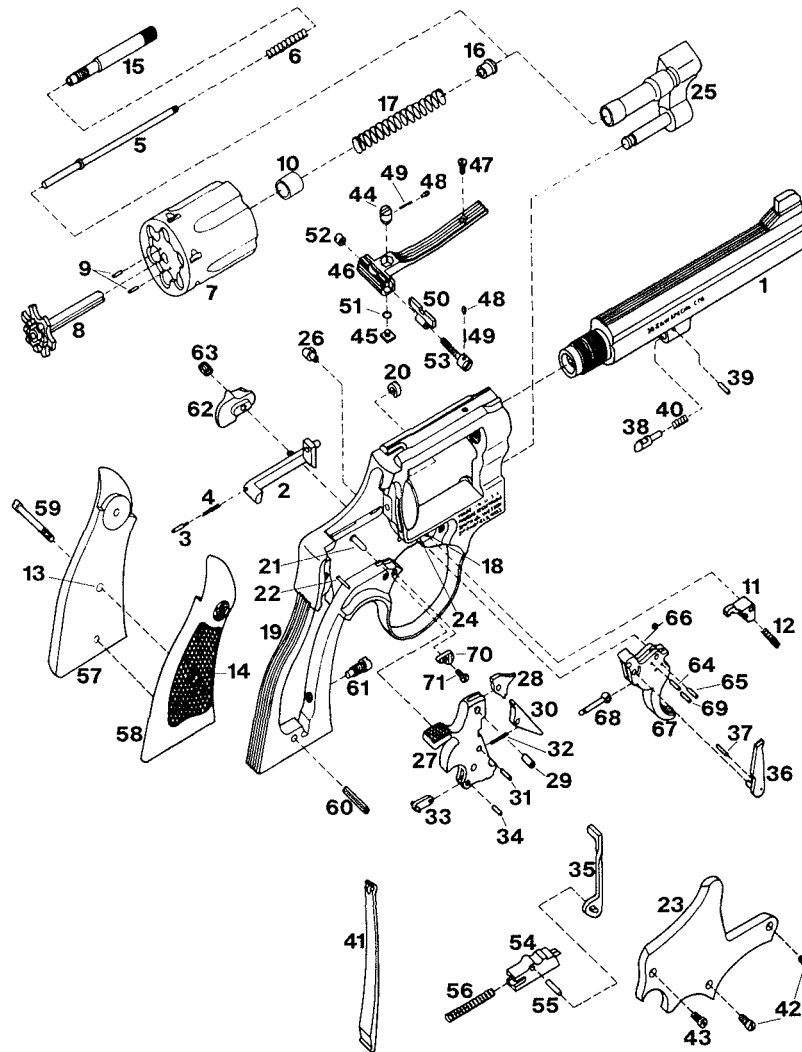
1	Barrel	21	Hammer Stud	41	Mainspring
2	Bolt	22	Rebound Slide Stud	42	Crowned Sideplate Screws
3	Bolt Plunger	23	Sideplate	43	Flat Sideplate Screw
4	Bolt Plunger Spring	24	Trigger Stud	44	Rebound Slide
5	Cylinder Center Pin	25	Yoke	45	Rebound Slide Pin
6	Cylinder Center Pin Spring	26	Frame Lug	46	Rebound Slide Spring
7	Cylinder	27	Hammer	47	Left Grip
8	Extractor	28	Hammer Nose	48	Right Grip
9	Extractor Pins	29	Hammer Nose Rivet	49	Grip Screw
10	Gas Ring	30	Sear	50	Grip Locator Pin
11	Cylinder Stop	31	Sear Pin	51	Mainspring Strain Screw
12	Cylinder Stop Spring	32	Sear Spring	52	Cylinder Latch Thumb-Piece
13	Grip Escutcheon	33	Stirrup	53	Cylinder Latch Thumb-Piece Nut
14	Grip Escutcheon Nut	34	Stirrup Pin	54	Hand Spring Pin
15	Extractor Rod	35	Hammer Block	55	Hand Spring Torsion Pin
16	Extractor Rod Collar	36	Hand	56	Hand Torsion Spring
17	Extractor Spring	37	Hand Pin	57	Trigger
18	Cylinder Stop Stud	38	Locking Bolt	58	Trigger Lever
19	Frame	39	Locking Bolt Pin	59	Trigger Lever Pin
20	Hammer Nose Bushing	40	Locking Bolt Spring		

Model 13 Revolver



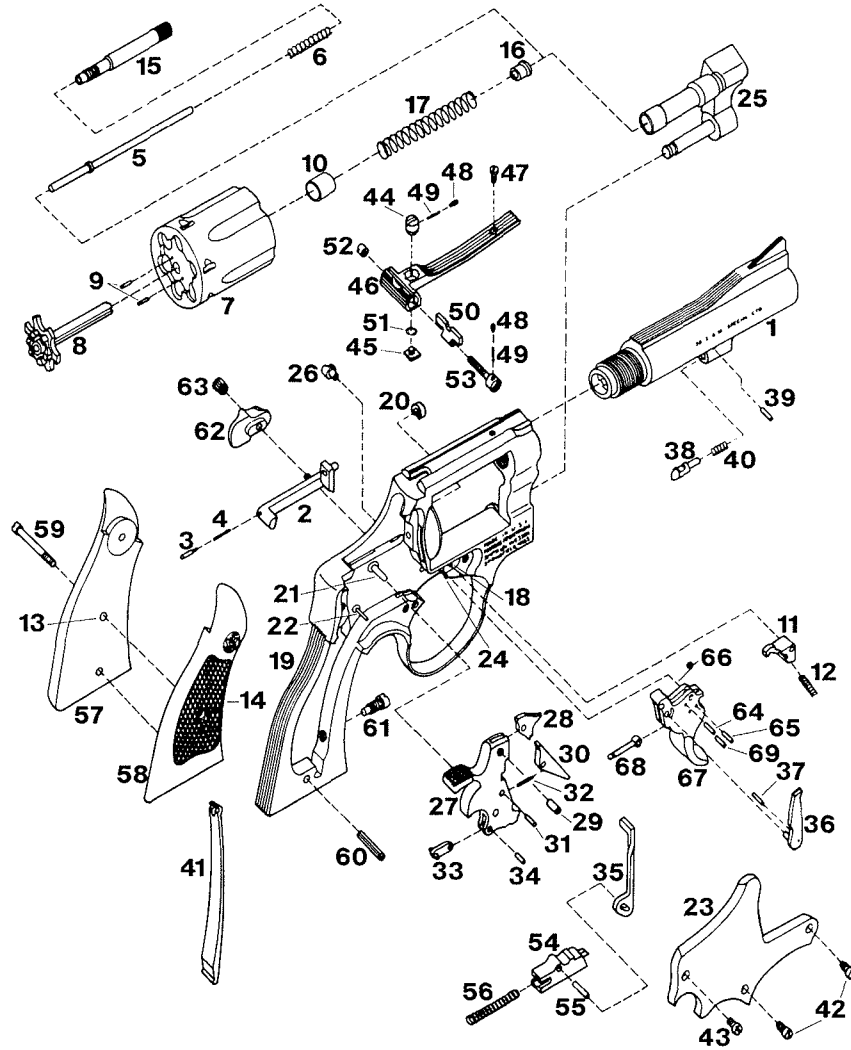
1	Barrel	21	Hammer Stud	41	Mainspring
2	Bolt	22	Rebound Slide Stud	42	Yoke Screws
3	Bolt Plunger	23	Sideplate	43	Sideplate Screw
4	Bolt Plunger Spring	24	Trigger Stud	44	Rebound Slide
5	Cylinder Center Pin	25	Yoke	45	Rebound Slide Pin
6	Cylinder Center Pin Spring	26	Frame Lug	46	Rebound Slide Spring
7	Cylinder	27	Hammer	47	Left Grip
8	Extractor	28	Hammer Nose	48	Right Grip
9	Extractor Pins	29	Hammer Nose Rivet	49	Grip Screw
10	Gas Ring	30	Sear	50	Grip Locator Pin
11	Cylinder Stop	31	Sear Pin	51	Mainspring Strain Screw
12	Cylinder Stop Spring	32	Sear Spring	52	Cylinder Latch Thumb-Piece
13	Grip Escutcheon	33	Stirrup	53	Cylinder Latch Thumb-Piece Nut
14	Grip Escutcheon Nut	34	Stirrup Pin	54	Hand Spring Pin
15	Extractor Rod	35	Hammer Block	55	Hand Spring Torsion Pin
16	Extractor Rod Collar	36	Hand	56	Hand Torsion Spring
17	Extractor Spring	37	Hand Pin	57	Trigger
18	Cylinder Stop Stud	38	Locking Bolt	58	Trigger Lever
19	Frame	39	Locking Bolt Pin	59	Trigger Lever Pin
20	Hammer Nose Bushing	40	Locking Bolt Spring		

Model 14 Revolver



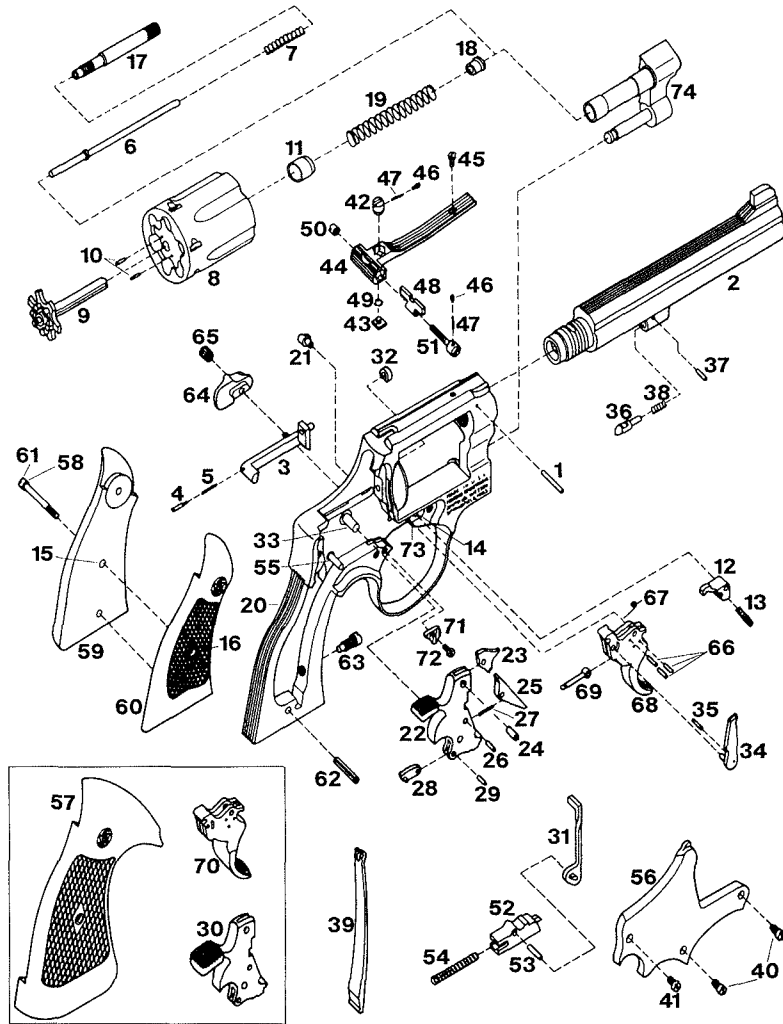
1	Barrel	25	Yoke	49	Rear Sight Plunger Spring
2	Bolt	26	Frame Lug	50	Rear Sight Slide
3	Bolt Plunger	27	Hammer	51	Rear Sight Spring Clip
4	Bolt Plunger Spring	28	Hammer Nose	52	Rear Sight Windage Nut
5	Cylinder Center Pin	29	Hammer Nose Rivet	53	Rear Sight Windage Screw
6	Cylinder Center Pin Spring	30	Sear	54	Rebound Slide
7	Cylinder	31	Sear Pin	55	Rebound Slide Pin
8	Extractor	32	Sear Spring	56	Rebound Slide Spring
9	Extractor Pins	33	Stirrup	57	Left Grip
10	Gas Ring	34	Stirrup Pin	58	Right Grip
11	Cylinder Stop	35	Hammer Block	59	Grip Screw
12	Cylinder Stop Spring	36	Hand	60	Grip Locator Pin
13	Grip Escutcheon	37	Hand Pin	61	Mainspring Strain Screw
14	Grip Escutcheon Nut	38	Locking Bolt	62	Cylinder Latch Thumb-Piece
15	Extractor Rod	39	Locking Bolt Pin	63	Cylinder Latch Thumb-Piece Nut
16	Extractor Rod Collar	40	Locking Bolt Spring	64	Hand Spring Pin
17	Extractor Spring	41	Mainspring	65	Hand Spring Torsion Pin
18	Cylinder Stop Stud	42	Yoke Screws	66	Hand Torsion Spring
19	Frame	43	Sideplate Screw	67	Trigger
20	Hammer Nose Bushing	44	Rear Sight Elevation Nut	68	Trigger Lever
21	Hammer Stud	45	Rear Sight Elevation Stud	69	Trigger Lever Pin
22	Rebound Slide Stud	46	Rear Sight Leaf	70	Trigger Stop
23	Sideplate	47	Rear Sight Leaf Screw	71	Trigger Stop Screw
24	Trigger Stud	48	Rear Sight Plunger		

Model 15 Revolver



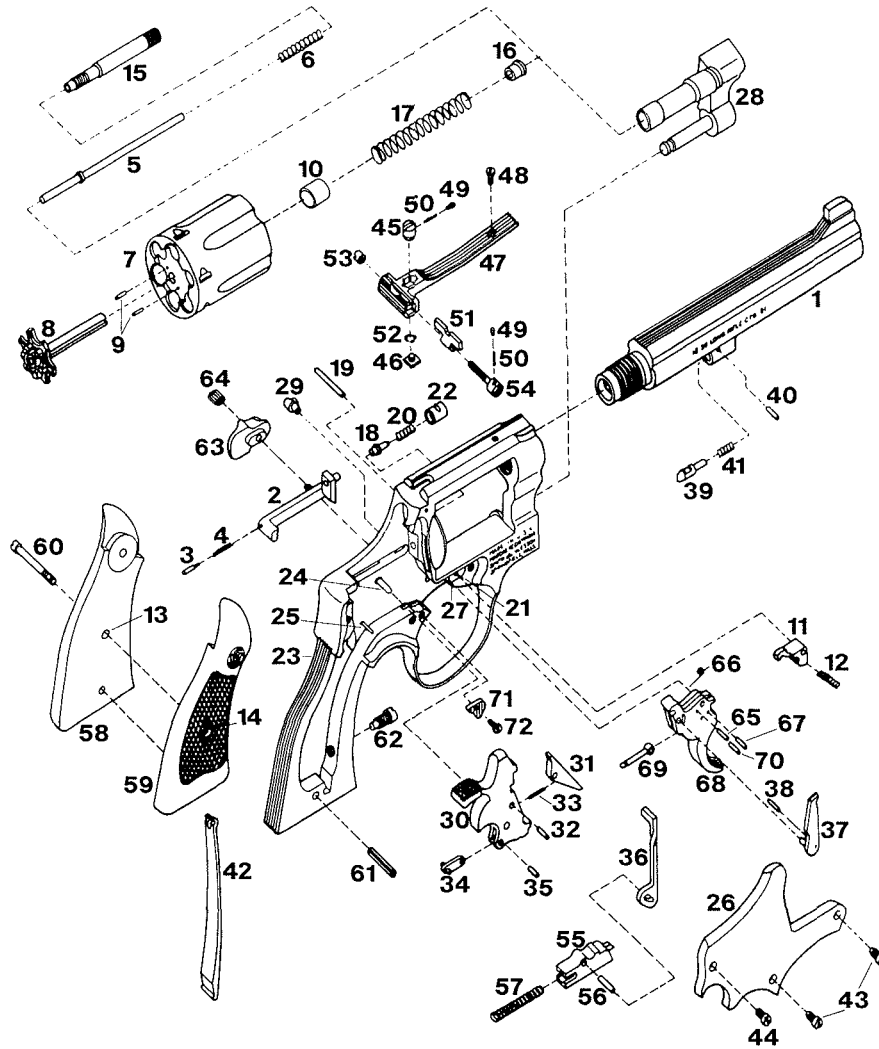
1	Barrel	25	Yoke	49	Rear Sight Plunger Spring
2	Bolt	26	Frame Lug	50	Rear Sight Slide
3	Bolt Plunger	27	Hammer	51	Rear Sight Spring Clip
4	Bolt Plunger Spring	28	Hammer Nose	52	Rear Sight Windage Nut
5	Cylinder Center Pin	29	Hammer Nose Rivet	53	Rear Sight Windage Screw
6	Cylinder Center Pin Spring	30	Sear	54	Rebound Slide
7	Cylinder	31	Sear Pin	55	Rebound Slide Pin
8	Extractor	32	Sear Spring	56	Rebound Slide Spring
9	Extractor Pins	33	Stirrup	57	Left Grip
10	Gas Ring	34	Stirrup Pin	58	Right Grip
11	Cylinder Stop	35	Hammer Block	59	Grip Screw
12	Cylinder Stop Spring	36	Hand	60	Grip Locator Pin
13	Grip Escutcheon	37	Hand Pin	61	Mainspring Strain Screw
14	Grip Escutcheon Nut	38	Locking Bolt	62	Cylinder Latch Thumb-Piece
15	Extractor Rod	39	Locking Bolt Pin	63	Cylinder Latch Thumb-Piece Nut
16	Extractor Rod Collar	40	Locking Bolt Spring	64	Hand Spring Pin
17	Extractor Spring	41	Mainspring	65	Hand Spring Torsion Pin
18	Cylinder Stop Stud	42	Yoke Screws	66	Hand Torsion Spring
19	Frame	43	Sideplate Screw	67	Trigger
20	Hammer Nose Bushing	44	Rear Sight Elevation Nut	68	Trigger Lever
21	Hammer Stud	45	Rear Sight Elevation Stud	69	Trigger Lever Pin
22	Rebound Slide Stud	46	Rear Sight Leaf	70	Trigger Stop
23	Sideplate	47	Rear Sight Leaf Screw		
24	Trigger Stud	48	Rear Sight Plunger		

Model 16 Revolver



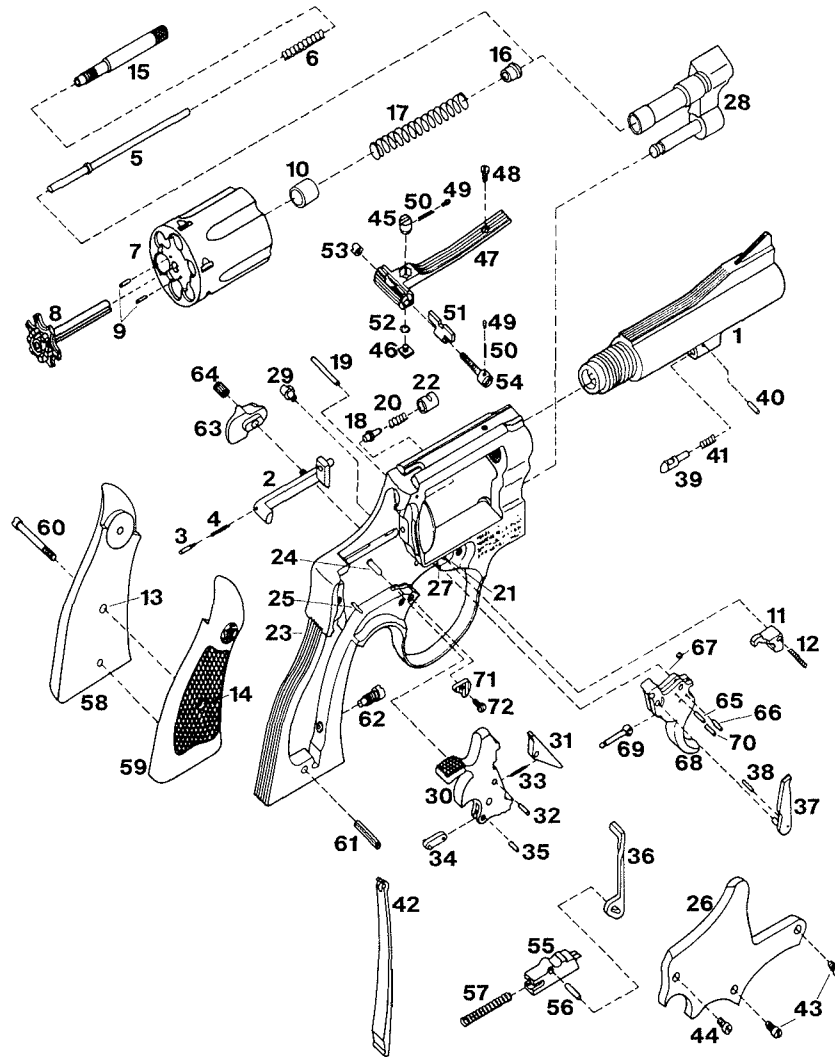
1	Barrel Pin	26	Sear Pin	51	Rear Sight Windage Screw
2	Barrel	27	Sear Spring	52	Rebound Slide
3	Bolt	28	Stirrup	53	Rebound Slide Pin
4	Bolt Plunger	29	Stirrup Pin	54	Rebound Slide Spring
5	Bolt Plunger Spring	30	Hammer, Target	55	Rebound Slide Stud
6	Cylinder Center Pin	31	Hammer Block	56	Sideplate
7	Cylinder Center Pin Spring	32	Hammer Nose Bushing	57	Stock Assembly, Target
8	Cylinder	33	Hammer Stud	58	Stock Screw, Target
9	Extractor Assembly	34	Hand	59	Left Grip
10	Extractor Pins	35	Hand Pin	60	Right Grip
11	Gas Ring	36	Locking Bolt	61	Grip Screw
12	Cylinder Stop	37	Locking Bolt Pin	62	Grip Locator Pin
13	Cylinder Stop Spring	38	Locking Bolt Spring	63	Mainspring Strain Screw
14	Cylinder Stop Stud	39	Mainspring	64	Cylinder Latch Thumb-Piece
15	Grip Escutcheon	40	Yoke Screws	65	Cylinder Latch Thumb-Piece Nut
16	Grip Escutcheon Nut	41	Sideplate Screw	66	Hand Spring Pins
17	Extractor Rod	42	Rear Sight Elevation Nut	67	Hand Torsion Spring
18	Extractor Rod Collar	43	Rear Sight Elevation Stud	68	Trigger
19	Extractor Spring	44	Rear Sight Leaf	69	Trigger Lever
20	Frame	45	Rear Sight Leaf Screw	70	Trigger, Target
21	Frame Lug	46	Rear Sight Plunger	71	Trigger Stop
22	Hammer	47	Rear Sight Plunger Springs	72	Trigger Stop Screw
23	Hammer Nose	48	Rear Sight Slide	73	Trigger Stud
24	Hammer Nose Rivet	49	Rear Sight Spring Clip	74	Yoke
25	Sear	50	Rear Sight Windage Nut		

Model 17 Revolver



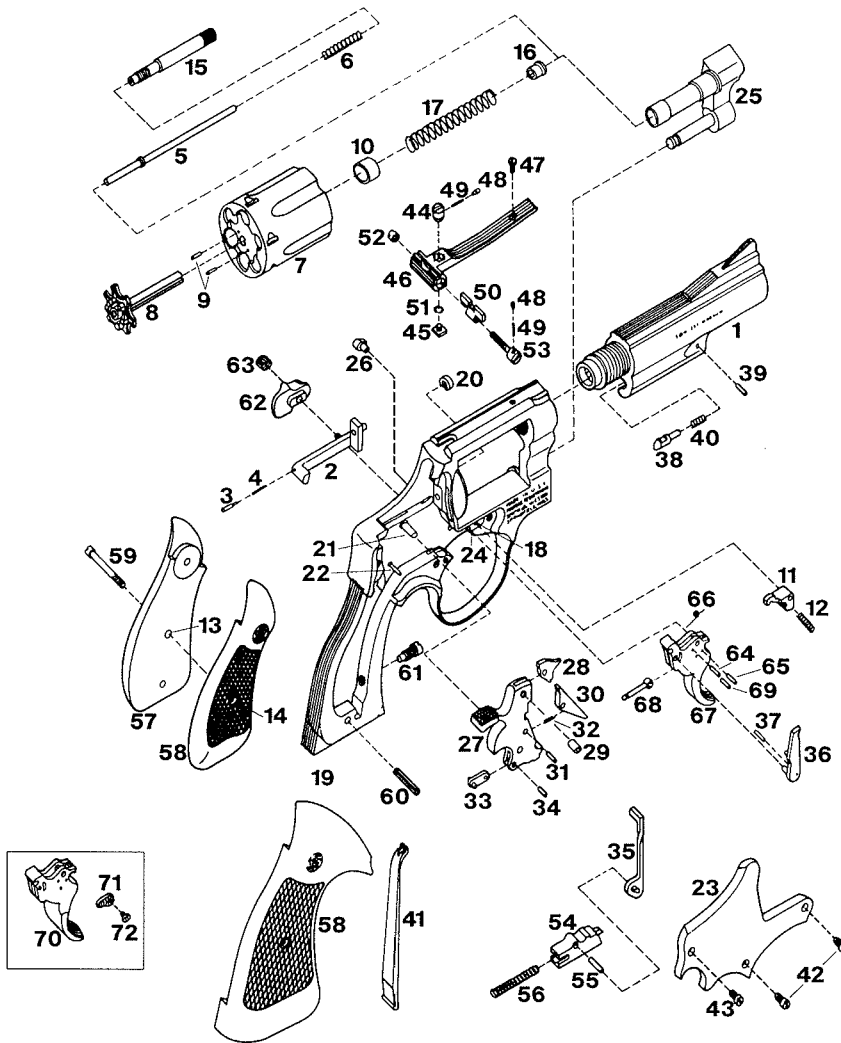
1	Barrel	25	Rebound Slide Stud	49	Rear Sight Plungers
2	Bolt	26	Sideplate	50	Rear Sight Plunger Springs
3	Bolt Plunger	27	Trigger Stud	51	Rear Sight Slide, Blue
4	Bolt Plunger Spring	28	Yoke	52	Rear Sight Spring Clip
5	Cylinder Center Pin	29	Frame Lug	53	Rear Sight Windage Nut
6	Cylinder Center Pin Spring	30	Hammer	54	Rear Sight Windage Screw
7	Cylinder	31	Sear	55	Rebound Slide
8	Extractor	32	Sear Pin	56	Rebound Slide Pin
9	Extractor Pins	33	Sear Spring	57	Rebound Slide Spring
10	Gas Ring	34	Stirrup	58	Left Grip
11	Cylinder Stop	35	Stirrup Pin	59	Right Grip
12	Cylinder Stop Spring	36	Hammer Block	60	Grip Screw
13	Grip Escutcheon	37	Hand	61	Grip Locator Pin
14	Grip Escutcheon Nut	38	Hand Pin	62	Mainspring Strain Screw
15	Extractor Rod	39	Locking Bolt	63	Cylinder Latch Thumb-Piece
16	Extractor Rod Collar	40	Locking Bolt Pin	64	Cylinder Latch Thumb-Piece Nut
17	Extractor Spring	41	Locking Bolt Spring	65	Hand Spring Pin
18	Firing Pin	42	Mainspring	66	Hand Torsion Spring
19	Firing Pin Bushing Pin	43	Yoke Screws	67	Hand Torsion Spring Pin
20	Firing Pin Spring	44	Sideplate Screw	68	Trigger
21	Cylinder Stop Stud	45	Rear Sight Elevation Nut	69	Trigger Lever
22	Firing Pin Bushing	46	Rear Sight Elevation Stud	70	Trigger Lever Pin
23	Frame	47	Rear Sight Leaf	71	Trigger Stop
24	Hammer Stud	48	Rear Sight Leaf Screw	72	Trigger Stop Screw

Model 18 Revolver



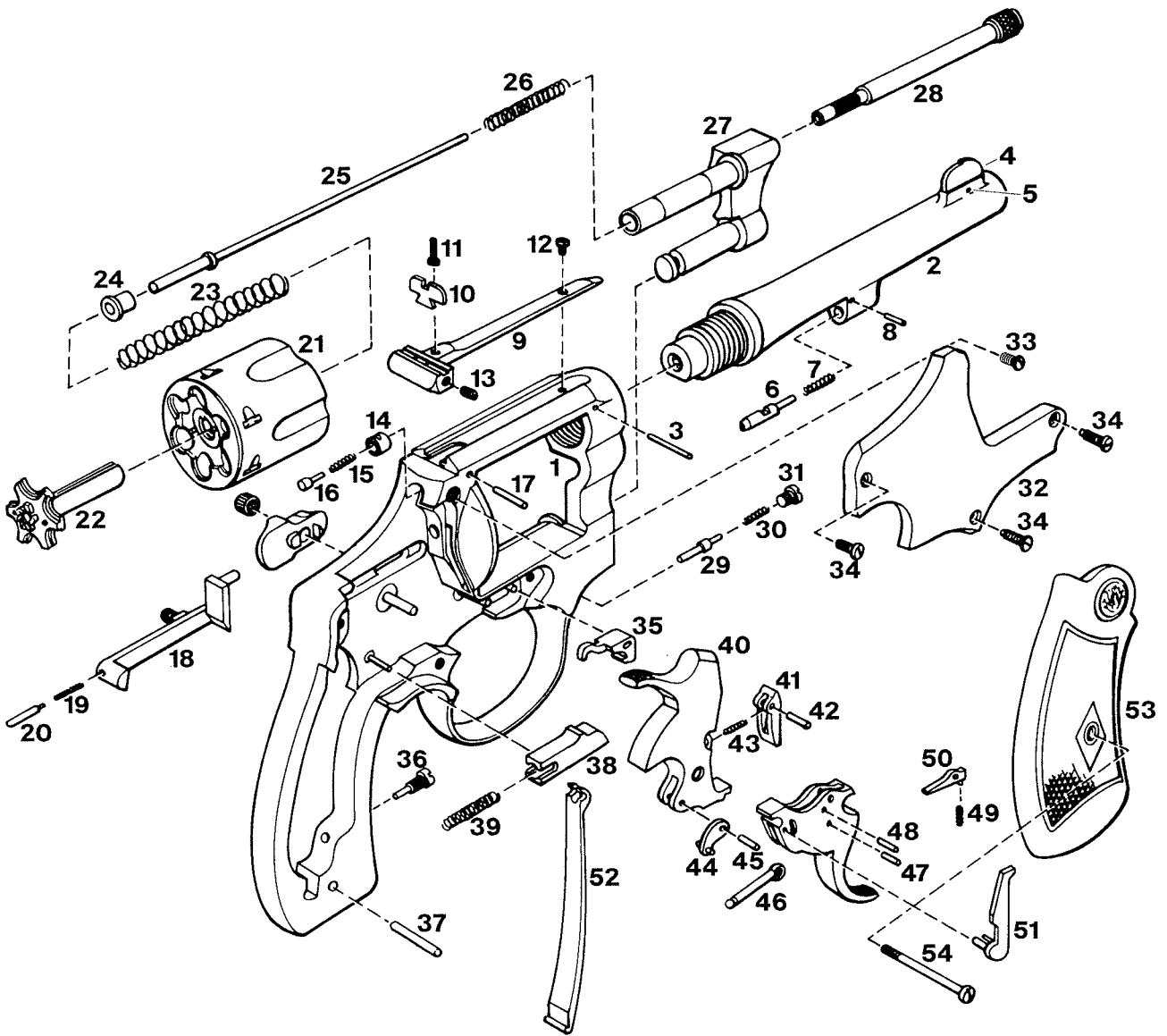
1	Barrel	25	Rebound Slide Stud	49	Rear Sight Plungers
2	Bolt	26	Sideplate	50	Rear Sight Plunger Springs
3	Bolt Plunger	27	Trigger Stud	51	Rear Sight Slide
4	Bolt Plunger Spring	28	Yoke	52	Rear Sight Spring Clip
5	Center Pin	29	Frame Lug	53	Rear Sight Windage Nut
6	Center Pin Spring	30	Hammer	54	Rear Sight Windage Screw
7	Cylinder	31	Sear	55	Rebound Slide
8	Extractor	32	Sear Pin	56	Rebound Slide Pin
9	Extractor Pins	33	Sear Spring	57	Rebound Slide Spring
10	Gas Ring	34	Stirrup	58	Stock, Left
11	Cylinder Stop	35	Stirrup Pin	59	Stock, Right
12	Cylinder Stop Spring	36	Hammer Block	60	Stock Screw
13	Escutcheon	37	Hand	61	Stock Pin
14	Escutcheon Nut	38	Hand Pin	62	Strain Screw
15	Extractor Rod	39	Locking Bolt	63	Thumb-Piece
16	Extractor Rod Collar	40	Locking Bolt Pin	64	Thumb-Piece Nut
17	Extractor Spring	41	Locking Bolt Spring	65	Hand Spring Pin
18	Firing Pin	42	Mainspring	66	Hand Spring Torsion Pin
19	Firing Pin Bushing Pin	43	York Screws, Crowned	67	Hand Torsion Spring
20	Firing Pin Spring	44	Plate Screw, Flat Head	68	Trigger
21	Cylinder Stop Stud	45	Rear Sight Elevation Nut	69	Trigger Lever
22	Firing Pin Bushing	46	Rear Sight Elevation Stud	70	Trigger Lever Pin
23	Frame	47	Rear Sight Leaf	71	Trigger Stop
24	Hammer Stud	48	Rear Sight Leaf Screw	72	Trigger Stop Screw

Model 19 Revolver



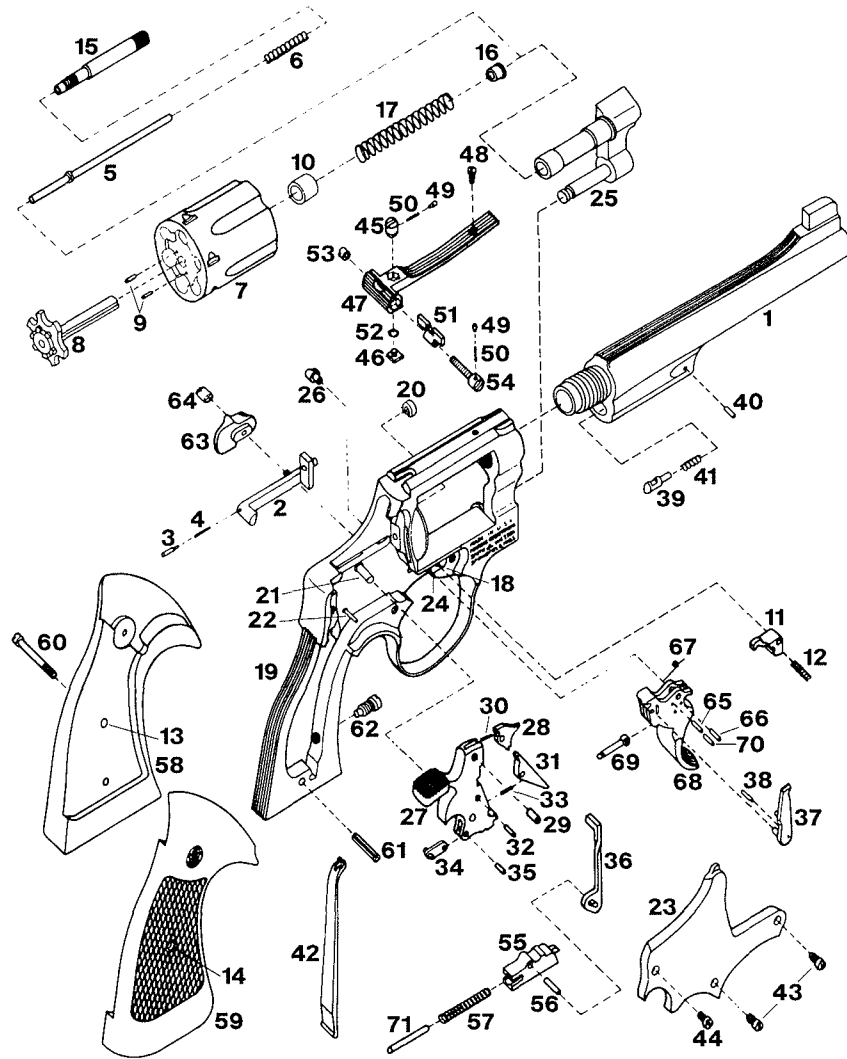
1	Barrel	25	Yoke	49	Rear Sight Plunger Spring
2	Bolt	26	Frame Lug	50	Rear Sight Slide
3	Bolt Plunger	27	Hammer	51	Rear Sight Spring Clip
4	Bolt Plunger Spring	28	Hammer Nose	52	Rear Sight Windage Nut
5	Center Pin	29	Hammer Nose Rivet	53	Rear Sight Windage Screw
6	Center Pin Spring	30	Sear	54	Rebound Slide
7	Cylinder	31	Sear Pin	55	Rebound Slide Pin
8	Extractor	32	Sear Spring	56	Rebound Slide Spring
9	Extractor Pins	33	Stirrup	57	Stock, Left
10	Gas Ring	34	Stirrup Pin	58	Stock, Right
11	Cylinder Stop	35	Hammer Block	59	Stock Screw
12	Cylinder Stop Spring	36	Hand	60	Stock Pin
13	Escutcheon	37	Hand Pin	61	Strain Screw
14	Escutcheon Nut	38	Locking Bolt	62	Thumb-Piece
15	Extractor Rod	39	Locking Bolt Pin	63	Thumb-Piece Nut
16	Extractor Rod Collar	40	Locking Bolt Spring	64	Hand Spring Pin
17	Extractor Spring	41	Mainspring	65	Hand Spring Torsion Pin
18	Cylinder Stop Stud	42	Yoke Screws, Crowned	66	Hand Torsion Spring
19	Frame	43	Plate Screw, Flat Head	67	Trigger
20	Hammer Nose Bushing	44	Rear Sight Elevation Nut	68	Trigger Lever
21	Hammer Stud	45	Rear Sight Elevation Stud	69	Trigger Lever Pin
22	Rebound Slide Stud	46	Rear Sight Leaf	70	Trigger, Target
23	Sideplate	47	Rear Sight Leaf Screw	71	Trigger Stop
24	Trigger Stud	48	Rear Sight Plunger	72	Trigger Stop Screw

Model 22/32 Kit Gun Revolver



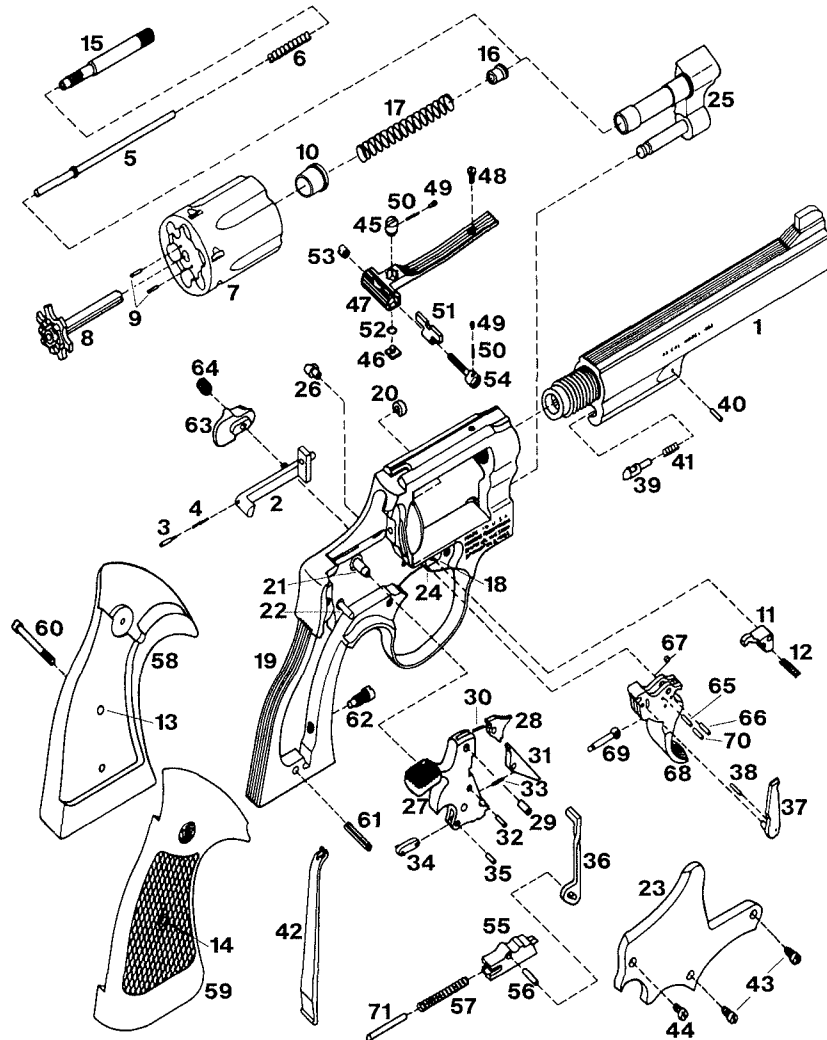
1	Frame	19	Bolt Plunger Spring	37	Stock Pin
2	Barrel	20	Bolt Plunger	38	Rebound Slide
3	Barrel Pin	21	Cylinder	39	Rebound Slide Spring
4	Front Sight Blade	22	Extractor	40	Hammer
5	Front Sight Pin	23	Extractor Spring	41	Sear
6	Locking Bolt	24	Extractor Rod Collar	42	Sear Pin
7	Locking Bolt Spring	25	Center Pin	43	Sear Spring
8	Locking Bolt Pin	26	Center Pin Spring	44	Stirrup
9	Rear Sight Leaf	27	Yoke	45	Stirrup Pin
10	Rear Sight Slide	28	Extractor Rod	46	Trigger Lever
11	Rear Sight Elevation Screw	29	Cylinder Stop Plunger	47	Trigger Lever Pin
12	Rear Sight Forward Screw	30	Cylinder Stop Plunger Spring	48	Hand Lever Pin
13	Rear Sight Windage Screws	31	Cylinder Stop Plunger Screw	49	Hand Lever Spring
14	Firing Pin Bushing	32	Sideplate	50	Hand Lever
15	Firing Pin Spring	33	Large Head Sideplate Screw	51	Hand
16	Firing Pin	34	Round Head Sideplate Screws	52	Mainspring
17	Firing Pin Bushing Pin	35	Cylinder Stop	53	Stocks
18	Bolt	36	Strain Screw	54	Stock Screw

Model 24 Revolver



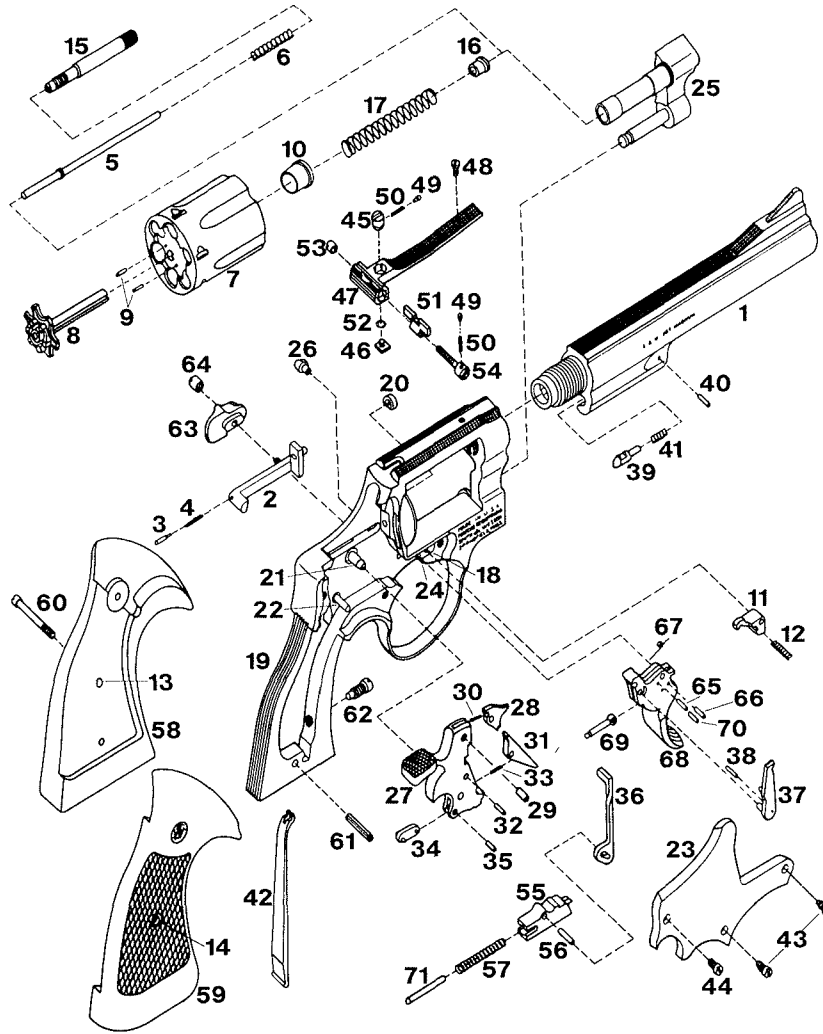
1	Barrel	25	Yoke	49	Rear Sight Plunger
2	Bolt	26	Frame Lug	50	Rear Sight Plunger Spring
3	Bolt Plunger	27	Hammer	51	Rear Sight Slide
4	Bolt Plunger Spring	28	Hammer Nose	52	Rear Sight Spring Clip
5	Center Pin	29	Hammer Nose Rivet	53	Rear Sight Windage Nut
6	Center Pin Spring	30	Hammer Nose Spring	54	Rear Sight Windage Screw
7	Cylinder	31	Sear	55	Rebound Slide
8	Extractor	32	Sear Pin	56	Rebound Slide Pin
9	Extractor Pins	33	Sear Spring	57	Rebound Slide Spring
10	Gas Ring	34	Stirrup	58	Stock, Left
11	Cylinder Stop	35	Stirrup Pin	59	Stock, Right
12	Cylinder Stop Spring	36	Hammer Block	60	Stock Screw
13	Escutcheon	37	Hand	61	Stock Pin
14	Escutcheon Nut	38	Hand Pin	62	Strain Screw
15	Extractor Rod	39	Locking Bolt	63	Thumb-Piece
16	Extractor Rod Collar	40	Locking Bolt Pin	64	Thumb-Piece Nut
17	Extractor Spring	41	Locking Bolt Spring	65	Hand Spring Pin
18	Cylinder Stop Stud	42	Mainspring	66	Hand Spring Torsion Pin
19	Frame	43	Plate Screws, Crowned	67	Hand Torsion Spring
20	Hammer Nose Bushing	44	Plate Screw, Flat Head	68	Trigger
21	Hammer Stud	45	Rear Sight Elevation Nut	69	Trigger Lever
22	Rebound Slide Stud	46	Rear Sight Elevation Stud	70	Trigger Lever Pin
23	Sideplate	47	Rear Sight Leaf	71	Trigger Stop Rod
24	Trigger Stud	48	Rear Sight Leaf Screw		

Model 25 Revolver



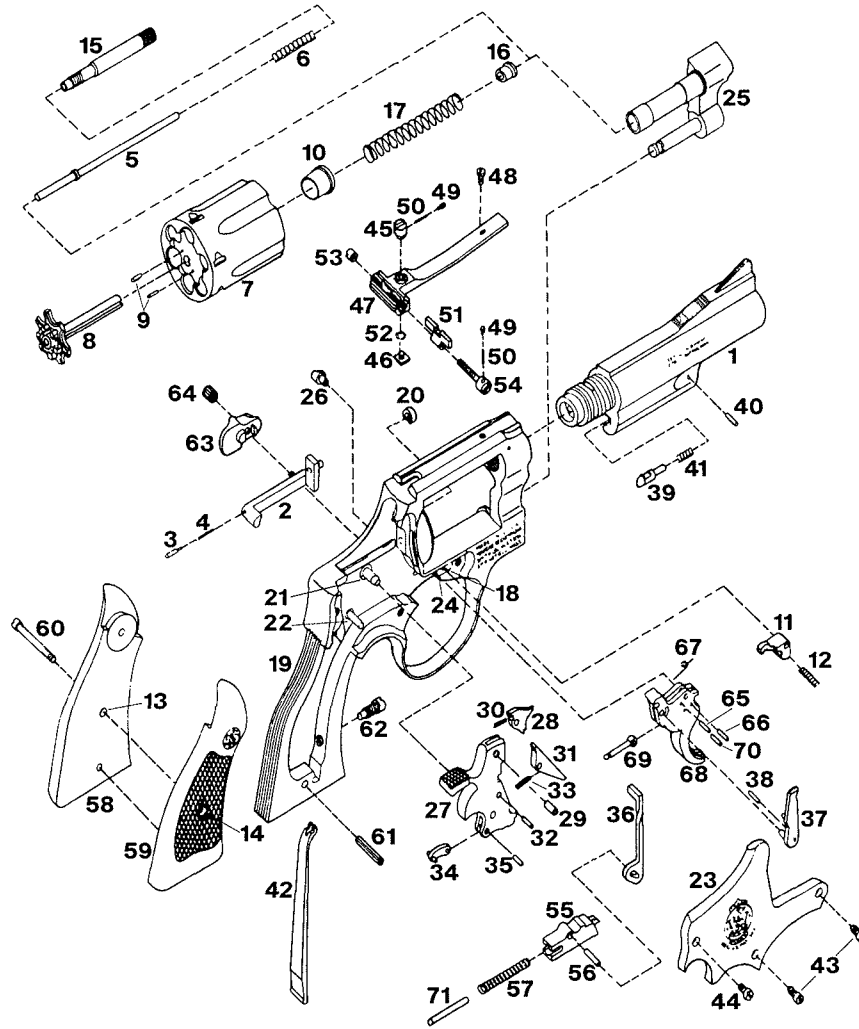
- | | | | | | |
|----|----------------------|----|---------------------------|----|---------------------------|
| 1 | Barrel | 25 | Yoke | 49 | Rear Sight Plunger |
| 2 | Bolt | 26 | Frame Lug | 50 | Rear Sight Plunger Spring |
| 3 | Bolt Plunger | 27 | Hammer | 51 | Rear Sight Slide |
| 4 | Bolt Plunger Spring | 28 | Hammer Nose | 52 | Rear Sight Spring Clip |
| 5 | Center Pin | 29 | Hammer Nose Rivet | 53 | Rear Sight Windage Nut |
| 6 | Center Pin Spring | 30 | Hammer Nose Spring | 54 | Rear Sight Windage Screw |
| 7 | Cylinder | 31 | Sear | 55 | Rebound Slide |
| 8 | Extractor | 32 | Sear Pin | 56 | Rebound Slide Pin |
| 9 | Extractor Pins | 33 | Sear Spring | 57 | Rebound Slide Spring |
| 10 | Gas Ring | 34 | Stirrup | 58 | Stock, Left |
| 11 | Cylinder Stop | 35 | Stirrup Pin | 59 | Stock, Right |
| 12 | Cylinder Stop Spring | 36 | Hammer Block | 60 | Stock Screw |
| 13 | Escutcheon | 37 | Hand | 61 | Stock Pin |
| 14 | Escutcheon Nut | 38 | Hand Pin | 62 | Strain Screw |
| 15 | Extractor Rod | 39 | Locking Bolt | 63 | Thumb-Piece |
| 16 | Extractor Rod Collar | 40 | Locking Bolt Pin | 64 | Thumb-Piece Nut |
| 17 | Extractor Spring | 41 | Locking Bolt Spring | 65 | Hand Spring Pin |
| 18 | Cylinder Stop Stud | 42 | Mainspring | 66 | Hand Spring Torsion Pin |
| 19 | Frame | 43 | Plate Screws, Crowned | 67 | Hand Torsion Spring |
| 20 | Hammer Nose Bushing | 44 | Plate Screw, Flat Head | 68 | Trigger |
| 21 | Hammer Stud | 45 | Rear Sight Elevation Nut | 69 | Trigger Lever |
| 22 | Rebound Slide Stud | 46 | Rear Sight Elevation Stud | 70 | Trigger Lever Pin |
| 23 | Sideplate | 47 | Rear Sight Leaf | 71 | Trigger Stop Rod |
| 24 | Trigger Stud | 48 | Rear Sight Leaf Screw | | |

Model 27 Revolver



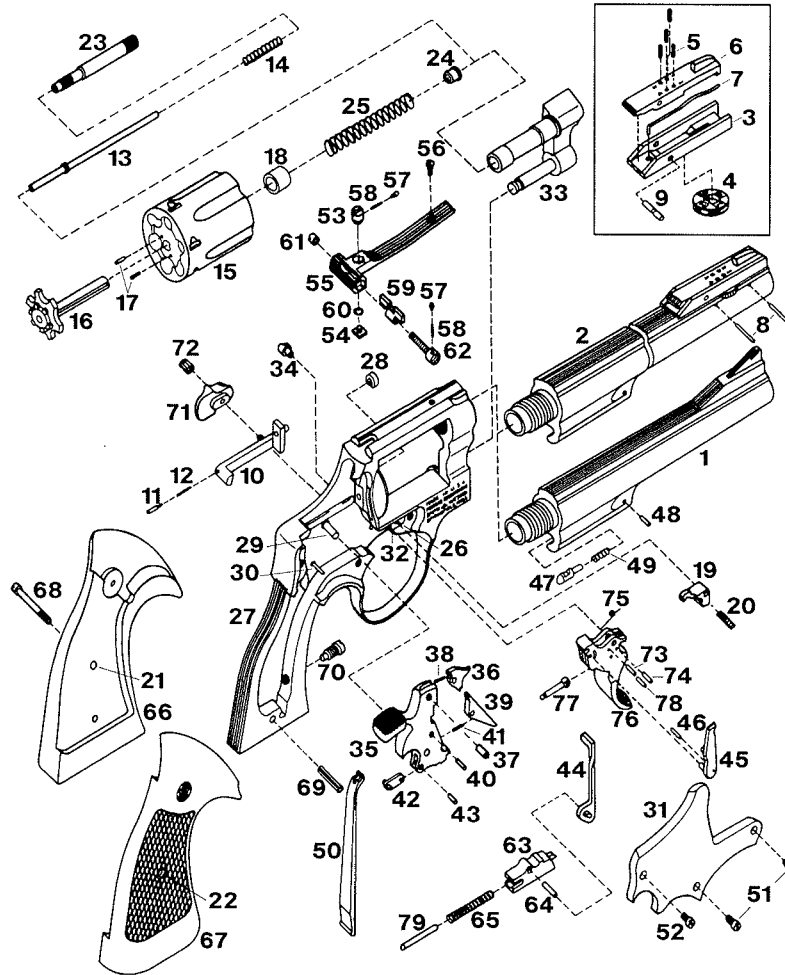
1	Barrel	26	Frame Lug	51	Rear Sight Slide
2	Bolt	27	Hammer	52	Rear Sight Spring Clip
3	Bolt Plunger	28	Hammer Nose	53	Rear Sight Windage Nut
4	Bolt Plunger Spring	29	Hammer Nose Rivet	54	Rear Sight Windage Screw
5	Center Pin	30	Hammer Nose Spring	55	Rebound Slide
6	Center Pin Spring	31	Sear	56	Rebound Slide Pin
7	Cylinder	32	Sear Pin	57	Rebound Slide Spring
8	Extractor	33	Sear Spring	58	Stock, Left
9	Extractor Pins	34	Stirrup	59	Stock, Right
10	Gas Ring	35	Stirrup Pin	60	Stock Screw
11	Cylinder Stop	36	Hammer Block	61	Stock Pin
12	Cylinder Stop Spring	37	Hand	62	Strain Screw
13	Escutcheon	38	Hand Pin	63	Thumb-Piece
14	Escutcheon Nut	39	Locking Bolt	64	Thumb-Piece Nut
15	Extractor Rod	40	Locking Bolt Pin	65	Hand Spring Pin
16	Extractor Rod Collar	41	Locking Bolt Spring	66	Hand Spring Torsion Pin
17	Extractor Spring	42	Mainspring	67	Hand Torsion Spring
18	Cylinder Stop Stud	43	Plate Screws, Crowned	68	Trigger
19	Frame	44	Plate Screw, Flat Head	69	Trigger Lever
20	Hammer Nose Bushing	45	Rear Sight Elevation Nut	70	Trigger Lever Pin
21	Hammer Stud	46	Rear Sight Elevation Stud	71	Trigger Stop Rod
22	Rebound Slide Stud	47	Rear Sight Leaf		
23	Sideplate	48	Rear Sight Leaf Screw		
24	Trigger Stud	49	Rear Sight Plunger		
25	Yoke	50	Rear Sight Plunger Spring		
				Parts Not Shown	
				Barrel Pin	

Model 28 Revolver



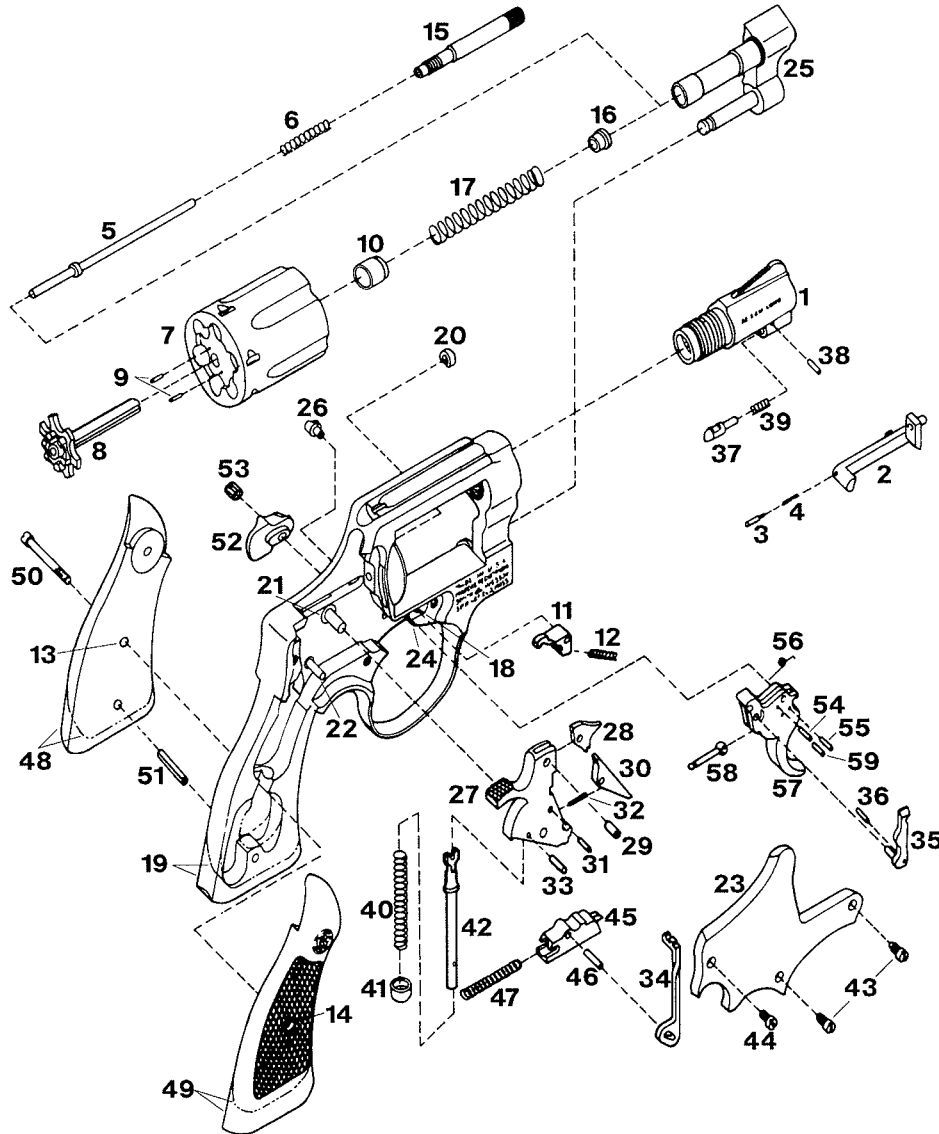
1	Barrel	25	Yoke	49	Rear Sight Plungers
2	Bolt	26	Frame Lug	50	Rear Sight Plunger Springs
3	Bolt Plunger	27	Hammer	51	Rear Sight Slide
4	Bolt Plunger Spring	28	Hammer Nose	52	Rear Sight Spring Clip
5	Center Pin	29	Hammer Nose Rivet	53	Rear Sight Windage Nut
6	Center Pin Spring	30	Hammer Nose Spring	54	Rear Sight Windage Screw
7	Cylinder	31	Sear	55	Rebound Slide
8	Extractor	32	Sear Pin	56	Rebound Slide Pin
9	Extractor Pins	33	Sear Spring	57	Rebound Slide Spring
10	Gas Ring	34	Stirrup	58	Stock, Left
11	Cylinder Stop	35	Stirrup Pin	59	Stock, Right
12	Cylinder Stop Spring	36	Hammer Block	60	Stock Screw
13	Escutcheon	37	Hand	61	Stock Pin
14	Escutcheon Nut	38	Hand Pin	62	Strain Screw
15	Extractor Rod	39	Locking Bolt	63	Thumb-Piece
16	Extractor Rod Collar	40	Locking Bolt Pin	64	Thumb-Piece Nut
17	Extractor Spring	41	Locking Bolt Spring	65	Hand Spring Pin
18	Cylinder Stop Stud	42	Mainspring	66	Hand Spring Torsion Pin
19	Frame	43	Plate Screws, Crowned	67	Hand Torsion Spring
20	Hammer Nose Bushing	44	Plate Screw, Flat Head	68	Trigger
21	Hammer Stud	45	Rear Sight Elevation Nut	69	Trigger Lever
22	Rebound Slide Stud	46	Rear Sight Elevation Stud	70	Trigger Lever Pin
23	Sideplate	47	Rear Sight Leaf	71	Trigger Stop Rod
24	Trigger Stud	48	Rear Sight Leaf Screw		

Model 29 Revolver



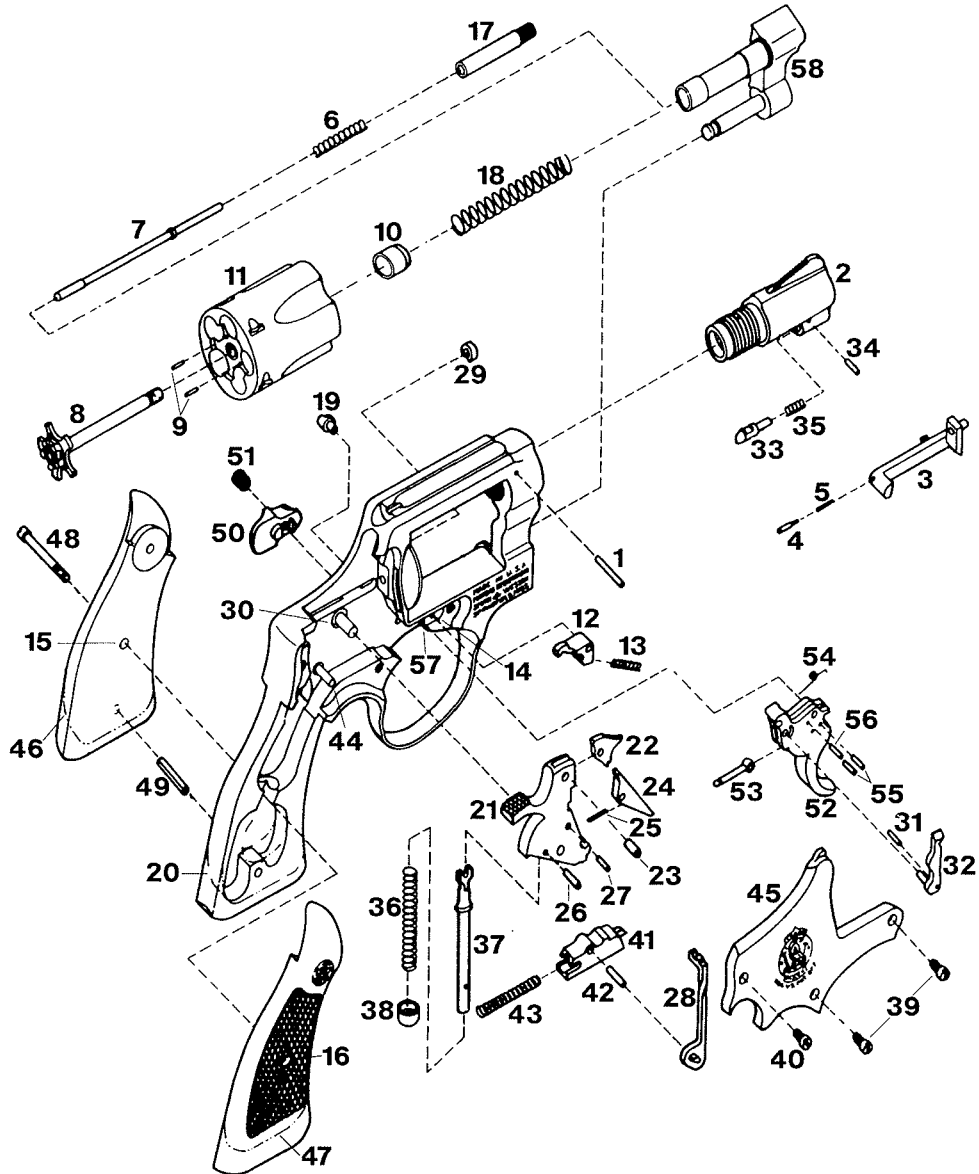
- | | | | | | |
|----|------------------------------|----|---------------------------|----|----------------------------|
| 1 | Barrel, Short | 28 | Hammer Nose Bushing | 55 | Rear Sight Leaf |
| 2 | Barrel, Long | 29 | Hammer Stud | 56 | Rear Sight Leaf Screw |
| 3 | Front Sight Base | 30 | Rebound Slide Stud | 57 | Rear Sight Plungers |
| 4 | Front Sight Cam | 31 | Sideplate | 58 | Rear Sight Plunger Springs |
| 5 | Front Sight Elevation Screws | 32 | Trigger Stud | 59 | Rear Sight Slide |
| 6 | Front Sight Leaf | 33 | Yoke | 60 | Rear Sight Spring Clip |
| 7 | Front Sight Leaf Spring | 34 | Frame Lug | 61 | Rear Sight Windage Nut |
| 8 | Front Sight Pins | 35 | Hammer | 62 | Rear Sight Windage Screw |
| 9 | Front Sight Pivot Pin | 36 | Hammer Nose | 63 | Rebound Slide |
| 10 | Bolt | 37 | Hammer Nose Rivet | 64 | Rebound Slide Pin |
| 11 | Bolt Plunger | 38 | Hammer Nose Spring | 65 | Rebound Slide Spring |
| 12 | Bolt Plunger Spring | 39 | Sear | 66 | Stock, Left |
| 13 | Center Pin | 40 | Sear Pin | 67 | Stock, Right |
| 14 | Center Pin Spring | 41 | Sear Spring | 68 | Stock Screw |
| 15 | Cylinder | 42 | Stirrup | 69 | Stock Pin |
| 16 | Extractor | 43 | Stirrup Pin | 70 | Strain Screw |
| 17 | Extractor Pins | 44 | Hammer Block | 71 | Thumb-Piece |
| 18 | Gas Ring | 45 | Hand | 72 | Thumb-Piece Nut |
| 19 | Cylinder Stop | 46 | Hand Pin | 73 | Hand Spring Pin |
| 20 | Cylinder Stop Spring | 47 | Locking Bolt | 74 | Hand Spring Torsion Pin |
| 21 | Escutcheon | 48 | Locking Bolt Pin | 75 | Hand Torsion Spring |
| 22 | Escutcheon Nut | 49 | Locking Bolt Spring | 76 | Trigger |
| 23 | Extractor Rod | 50 | Mainspring | 77 | Trigger Lever |
| 24 | Extractor Rod Collar | 51 | Plate Screws, Crowned | 78 | Trigger Lever Pin |
| 25 | Extractor Spring | 52 | Plate Screw, Flat Head | 79 | Trigger Stop Rod |
| 26 | Cylinder Stop Stud | 53 | Rear Sight Elevation Nut | | |
| 27 | Frame | 54 | Rear Sight Elevation Stud | | |
- Parts Not Shown**
Barrel Pin

Model 30 and 31 Revolver



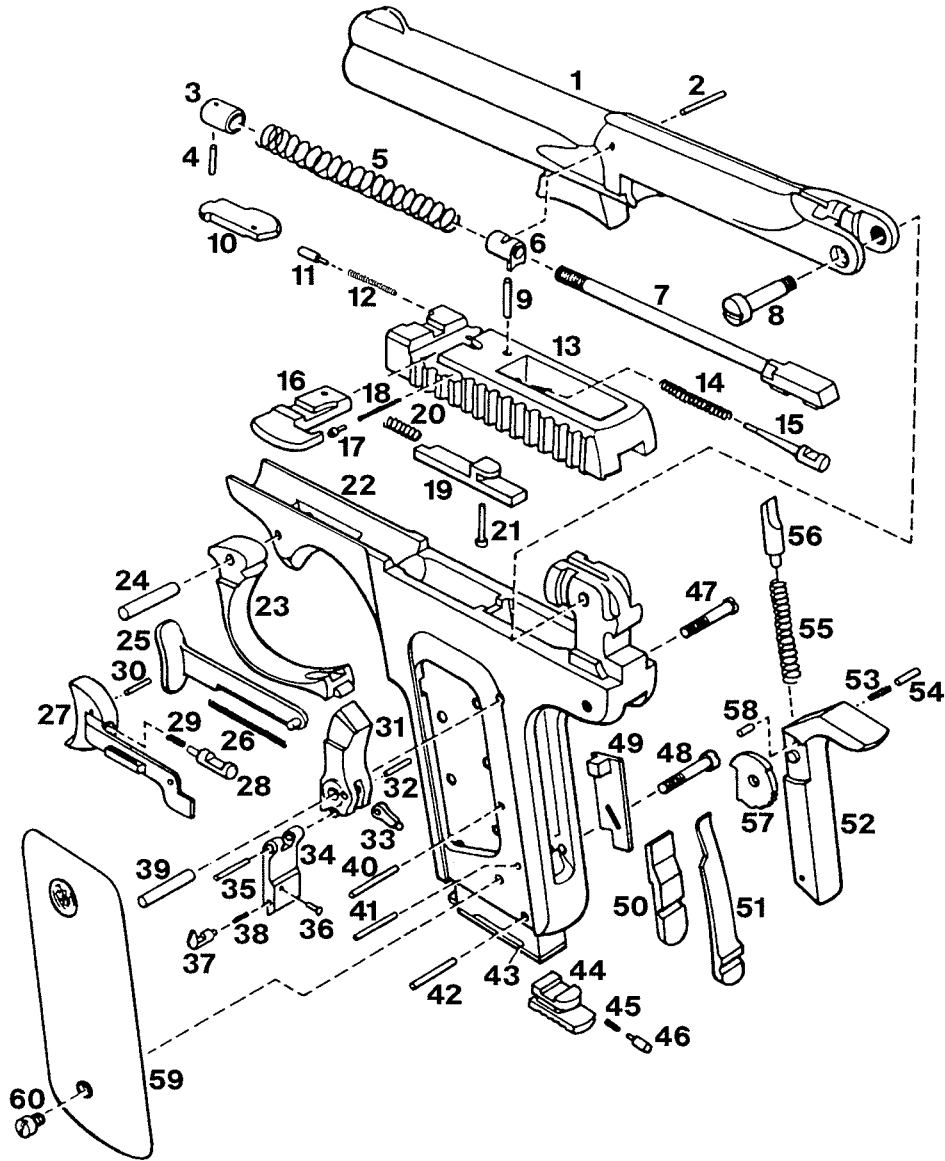
1	Barrel	22	Rebound Slide Stud	43	Plate Screws, Crowned
2	Bolt	23	Sideplate	44	Plate Screw, Flat Head
3	Bolt Plunger	24	Trigger Stud	45	Rebound Slide
4	Bolt Plunger Spring	25	Yoke	46	Rebound Slide Pin
5	Center Pin	26	Frame Lug	47	Rebound Slide Spring
6	Center Pin Spring	27	Hammer	48	Stock, Left
7	Cylinder	28	Hammer Nose	49	Stock, Right
8	Extractor	29	Hammer Nose Rivet	50	Stock Screw
9	Extractor Pins	30	Sear	51	Stock Pin
10	Gas Ring	31	Sear Pin	52	Thumb-Piece
11	Cylinder Stop	32	Sear Spring	53	Thumb-Piece Nut
12	Cylinder Stop Spring	33	Stirrup Pin	54	Hand Spring Pin
13	Escutcheon	34	Hammer Block	55	Hand Spring Torsion Pin
14	Escutcheon Nut	35	Hand	56	Hand Torsion Spring
15	Extractor Rod	36	Hand Pin	57	Trigger
16	Extractor Rod Collar	37	Locking Bolt	58	Trigger Lever
17	Extractor Spring	38	Locking Bolt Pin	59	Trigger Lever Pin
18	Cylinder Stop Stud	39	Locking Bolt Spring		
19	Frame	40	Mainspring	Parts Not Shown	
20	Hammer Nose Bushing	41	Mainspring Rod Swivel		Barrel Pin
21	Hammer Stud	42	Mainspring Stirrup		

Model 32 and 33 Revolver



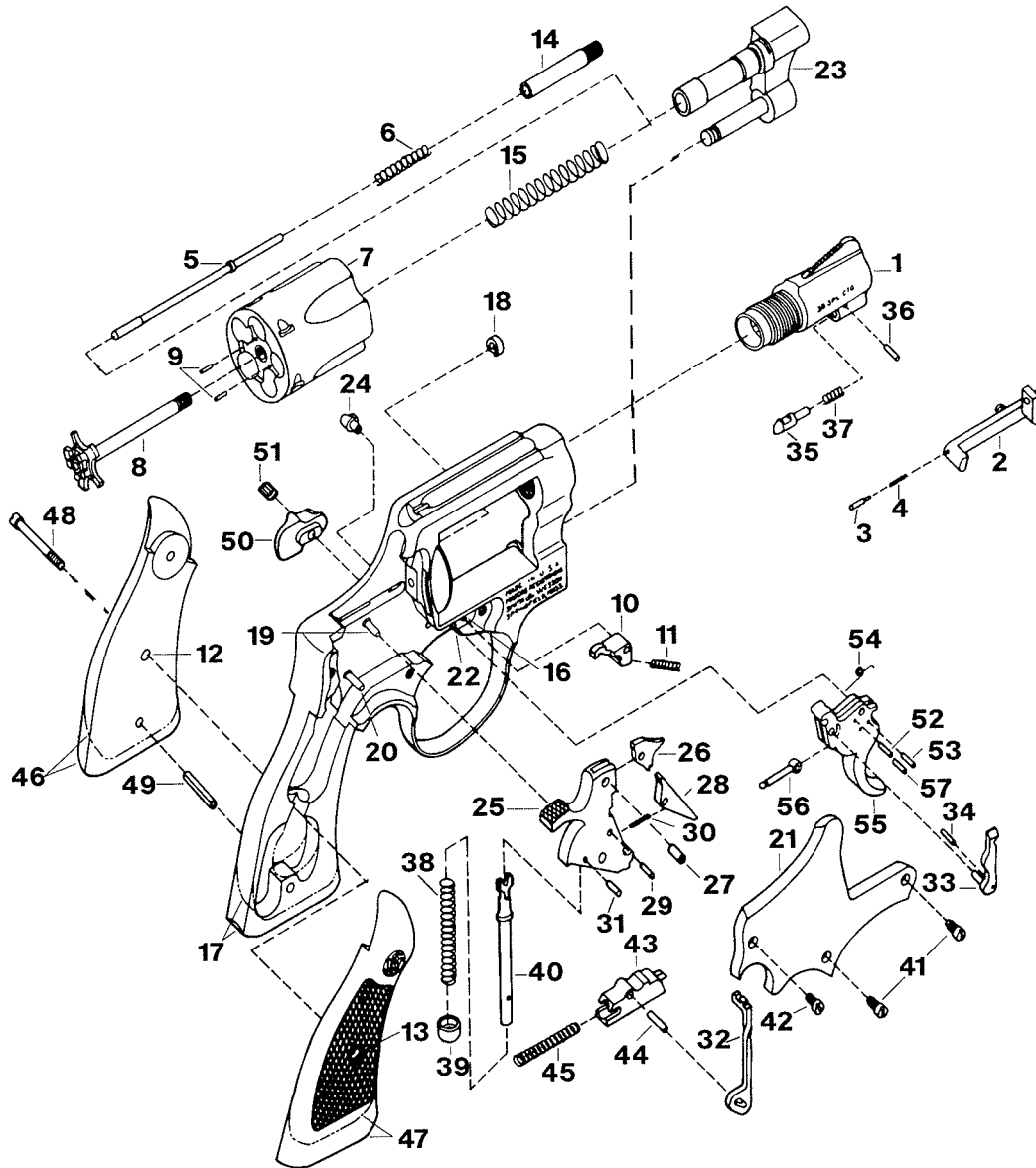
1	Barrel Pin	21	Hammer	41	Rebound Slide
2	Barrel	22	Hammer Nose	42	Rebound Slide Pin
3	Bolt	23	Hammer Nose Rivet	43	Rebound Slide Spring
4	Bolt Plunger	24	Sear	44	Rebound Slide Stud
5	Bolt Plunger Spring	25	Sear Spring	45	Sideplate
6	Center Pin Spring	26	Stirrup Pin	46	Stock, Left
7	Center Pin	27	Sear Pin	47	Stock, Right
8	Extractor Assembly	28	Hammer Block	48	Stock Screw
9	Extractor Pins	29	Hammer Nose Bushing	49	Stock Pin
10	Gas Ring	30	Hammer Stud	50	Thumb-Piece
11	Cylinder	31	Hand Pin	51	Thumb-Piece Nut
12	Cylinder Stop	32	Hand	52	Trigger
13	Cylinder Stop Spring	33	Locking Bolt	53	Trigger Lever
14	Cylinder Stop Stud	34	Locking Bolt Pin	54	Hand Torsion Spring
15	Escutcheon	35	Locking Bolt Spring	55	Trigger Lever Pins
16	Escutcheon Nut	36	Mainspring	56	Hand Spring Torsion Pin
17	Extractor Rod	37	Mainspring Stirrup	57	Trigger Stud
18	Extractor Spring	38	Mainspring Swivel	58	Yoke
19	Frame Lug	39	Plate Screws, Crowned		
20	Frame	40	Plate Screw, Flat Head		

Model 35 Auto



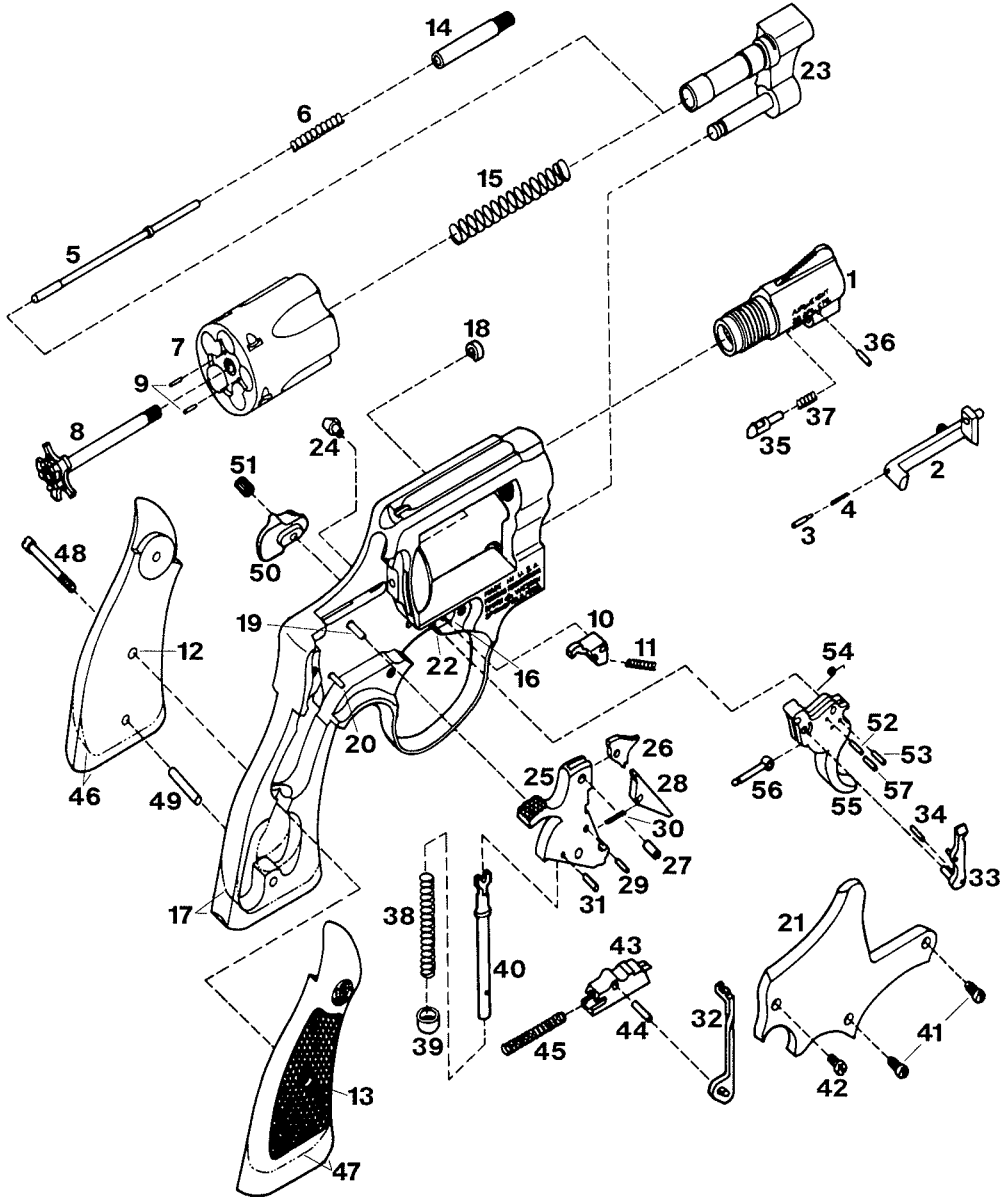
1	Barrel	21	Ejector Pin	41	Sear Spring Pin
2	Bushing Retaining Pin	22	Frame	42	Magazine Catch Pin
3	Recoil Spring Cap	23	Trigger Guard	43	Magazine
4	Cap Retaining Pin	24	Trigger Guard Pivot	44	Magazine Catch
5	Recoil Spring	25	Grip Safety	45	Magazine Catch Spring
6	Spring Rod Bushing	26	Grip Safety Spring	46	Magazine Catch Plunger
7	Recoil Spring Rod	27	Trigger	47	Upper Backstrap Screw
8	Pivot Screw	28	Trigger Plunger	48	Lower Backstrap Screw
9	Firing Pin Retaining Pin	29	Trigger Plunger Spring	49	Safety Slide
10	Extractor	30	Trigger Plunger Pin	50	Notch Plate
11	Extractor Plunger	31	Hammer	51	Sear Spring
12	Extractor Spring	32	Hammer Strut Pin	52	Backstrap
13	Slide	33	Hammer Strut	53	Safety Catch Spring
14	Firing Pin Spring	34	Sear	54	Plunger Retaining Pin
15	Firing Pin	35	Sear Hinge Pin	55	Mainspring
16	Bolt Release Catch	36	Sear Plunger Pin	56	Mainspring Plunger
17	Bolt Release Catch Spring Plunger	37	Sear Plunger	57	Safety Catch
18	Bolt Release Catch Spring	38	Sear Plunger Spring	58	Safety Catch Plunger
19	Ejector	39	Hammer Pin	59	Grip
20	Ejector Spring	40	Notch Plate Pin	60	Grip Screw

Model 36 Revolver



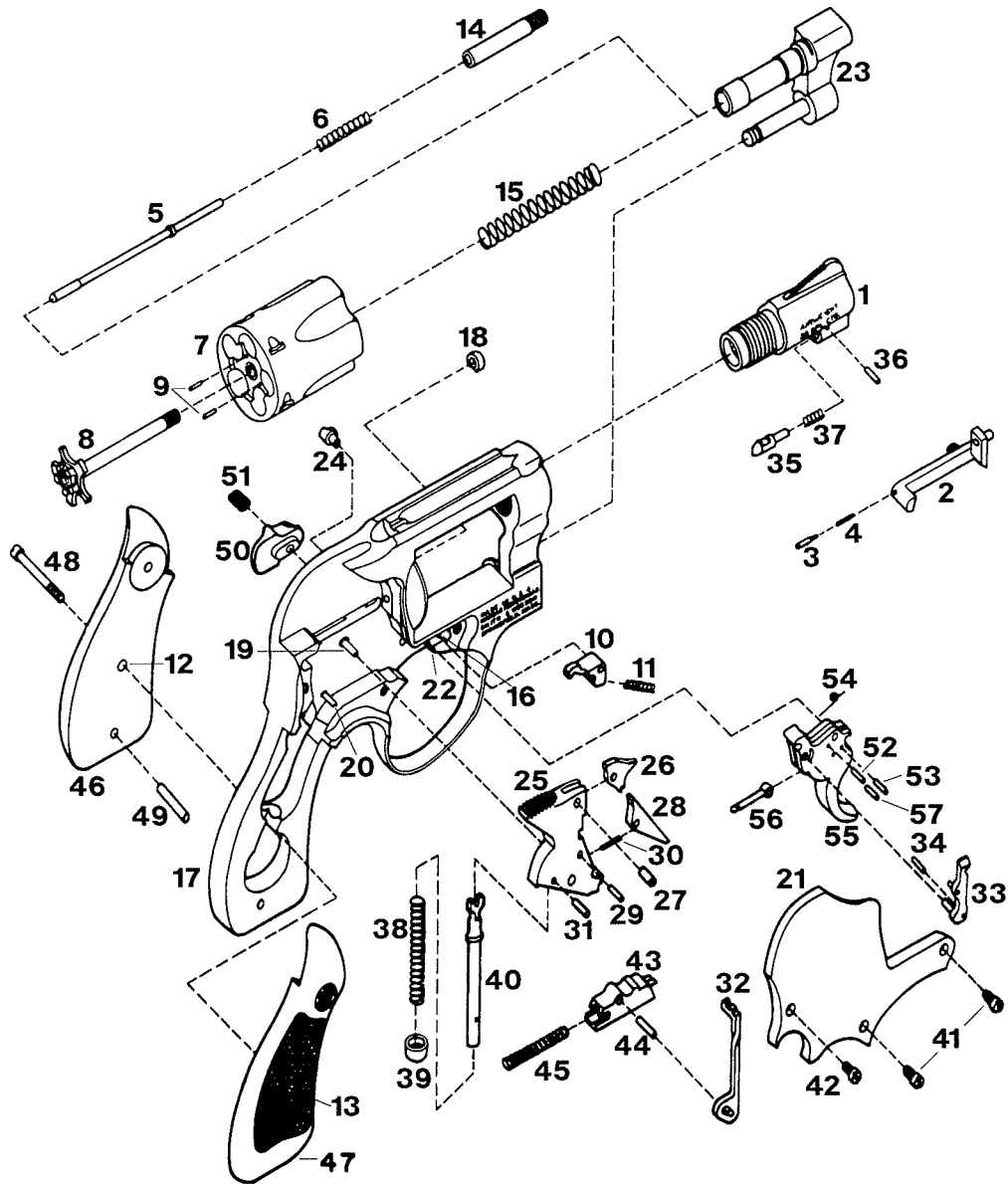
1	Barrel	20	Rebound Slide Stud	39	Mainspring Rod Swivel
2	Bolt	21	Slideplate	40	Mainspring Stirrup
3	Bolt Plunger	22	Trigger Stud	41	Plate Screws, Crowned
4	Bolt Plunger Spring	23	Yoke	42	Plate Screw, Flat Head
5	Center Pin	24	Frame Lug	43	Rebound Slide
6	Center Pin Spring	25	Hammer	44	Rebound Slide Pin
7	Cylinder	26	Hammer Nose	45	Rebound Slide Spring
8	Extractor	27	Hammer Nose Rivet	46	Stock, Left
9	Extractor Pins	28	Sear	47	Stock, Right
10	Cylinder Stop	29	Sear Pin	48	Stock Screw
11	Cylinder Stop Spring	30	Sear Spring	49	Stock Pin
12	Escutcheon	31	Stirrup Pin	50	Thumb-Piece
13	Escutcheon Nut	32	Hammer Block	51	Thumb-Piece Nut
14	Extractor Rod	33	Hand	52	Hand Spring Pin
15	Extractor Spring	34	Hand Pin	53	Hand Spring Torsion Pin
16	Cylinder Stop Stud	35	Locking Bolt	54	Hand Torsion Spring
17	Frame	36	Locking Bolt Pin	55	Trigger
18	Hammer Nose Bushing	37	Locking Bolt Spring	56	Trigger Lever
19	Hammer Stud	38	Mainspring	57	Trigger Lever Pin

Model 37 Revolver



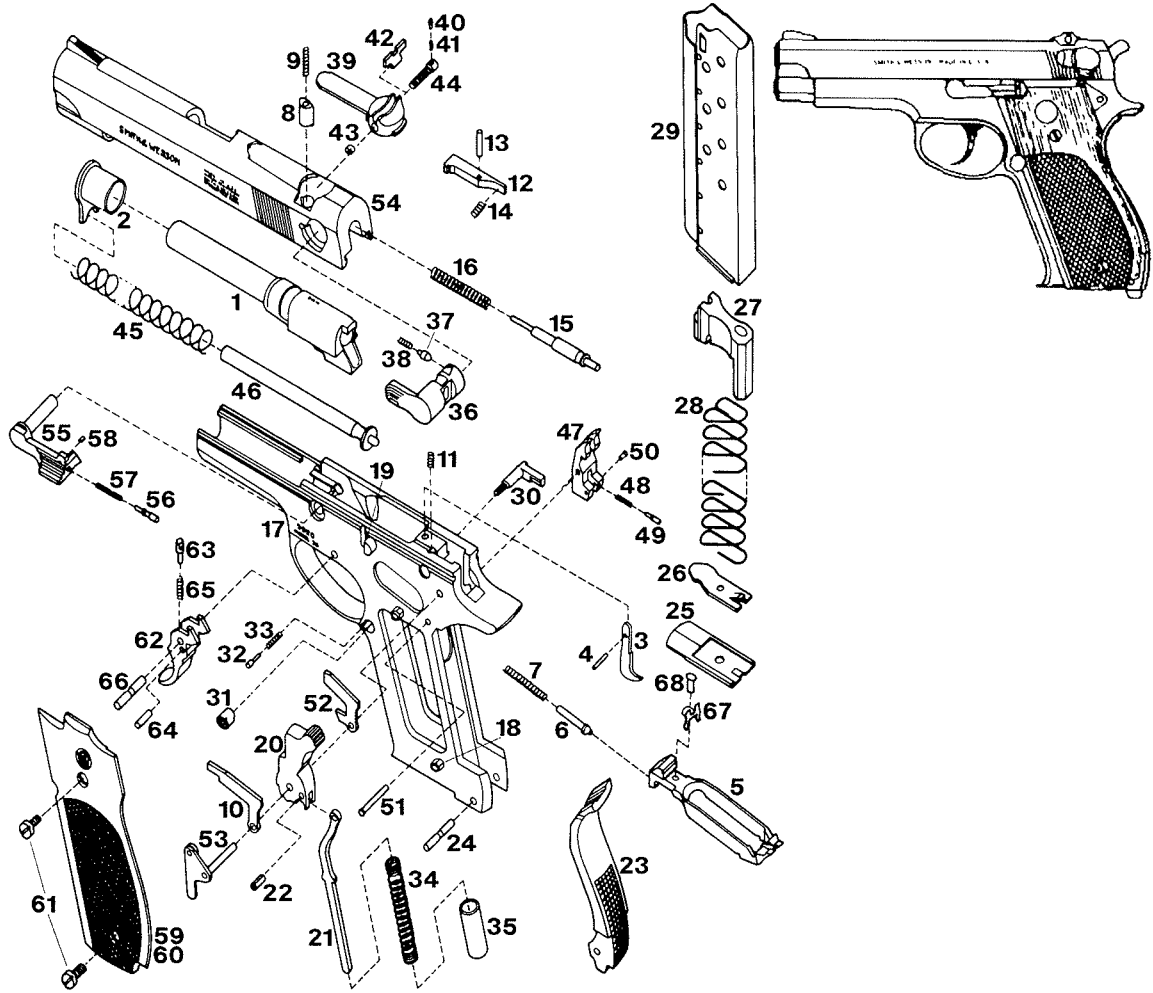
1	Barrel	20	Rebound Slide Stud	39	Mainspring Rod Swivel
2	Bolt	21	Sideplate	40	Mainspring Stirrup
3	Bolt Plunger	22	Trigger Stud	41	Plate Screws, Crowned
4	Bolt Plunger Spring	23	Yoke	42	Plate Screw, Flat Head
5	Center Pin	24	Frame Lug	43	Rebound Slide
6	Center Pin Spring	25	Hammer	44	Rebound Slide Pin
7	Cylinder	26	Hammer Nose	45	Rebound Slide Spring
8	Extractor	27	Hammer Nose Rivet	46	Stock, Left
9	Extractor Pins	28	Sear	47	Stock, Right
10	Cylinder Stop	29	Sear Pin	48	Stock Screw
11	Cylinder Stop Spring	30	Sear Spring	49	Stock Pin
12	Escutcheon	31	Stirrup Pin	50	Thumb-Piece
13	Escutcheon Nut	32	Hammer Block	51	Thumb-Piece Nut
14	Extractor Rod	33	Hand	52	Hand Spring Pin
15	Extractor Spring	34	Hand Pin	53	Hand Spring Torsion Pin
16	Cylinder Stop Stud	35	Locking Bolt	54	Hand Torsion Spring
17	Frame	36	Locking Bolt Pin	55	Trigger
18	Hammer Nose Bushing	37	Locking Bolt Spring	56	Trigger Lever
19	Hammer Stud	38	Mainspring	57	Trigger Lever Pin

Model 38 Revolver



1	Barrel	20	Rebound Slide Stud	39	Mainspring Rod Swivel
2	Bolt	21	Sideplate	40	Mainspring Stirrup
3	Bolt Plunger	22	Trigger Stud	41	Plate Screws, Crowned
4	Bolt Plunger Spring	23	Yoke	42	Plate Screw, Flat Head
5	Center Pin	24	Frame Lug	43	Rebound Slide
6	Center Pin Spring	25	Hammer	44	Rebound Slide Pin
7	Cylinder	26	Hammer Nose	45	Rebound Slide Spring
8	Extractor	27	Hammer Nose Rivet	46	Stock, Left
9	Extractor Pins	28	Sear	47	Stock, Right
10	Cylinder Stop	29	Sear Pin	48	Stock Screw
11	Cylinder Stop Spring	30	Sear Spring	49	Stock Pin
12	Escutcheon	31	Stirrup Pin	50	Thumb-Piece
13	Escutcheon Nut	32	Hammer Block	51	Thumb-Piece Nut
14	Extractor Rod	33	Hand	52	Hand Spring Pin
15	Extractor Spring	34	Hand Pin	53	Hand Spring Torsion Pin
16	Cylinder Stop Stud	35	Locking Bolt	54	Hand Torsion Spring
17	Frame	36	Locking Bolt Pin	55	Trigger
18	Hammer Nose Bushing	37	Locking Bolt Spring	56	Trigger Lever
19	Hammer Stud	38	Mainspring	57	Trigger Lever Pin

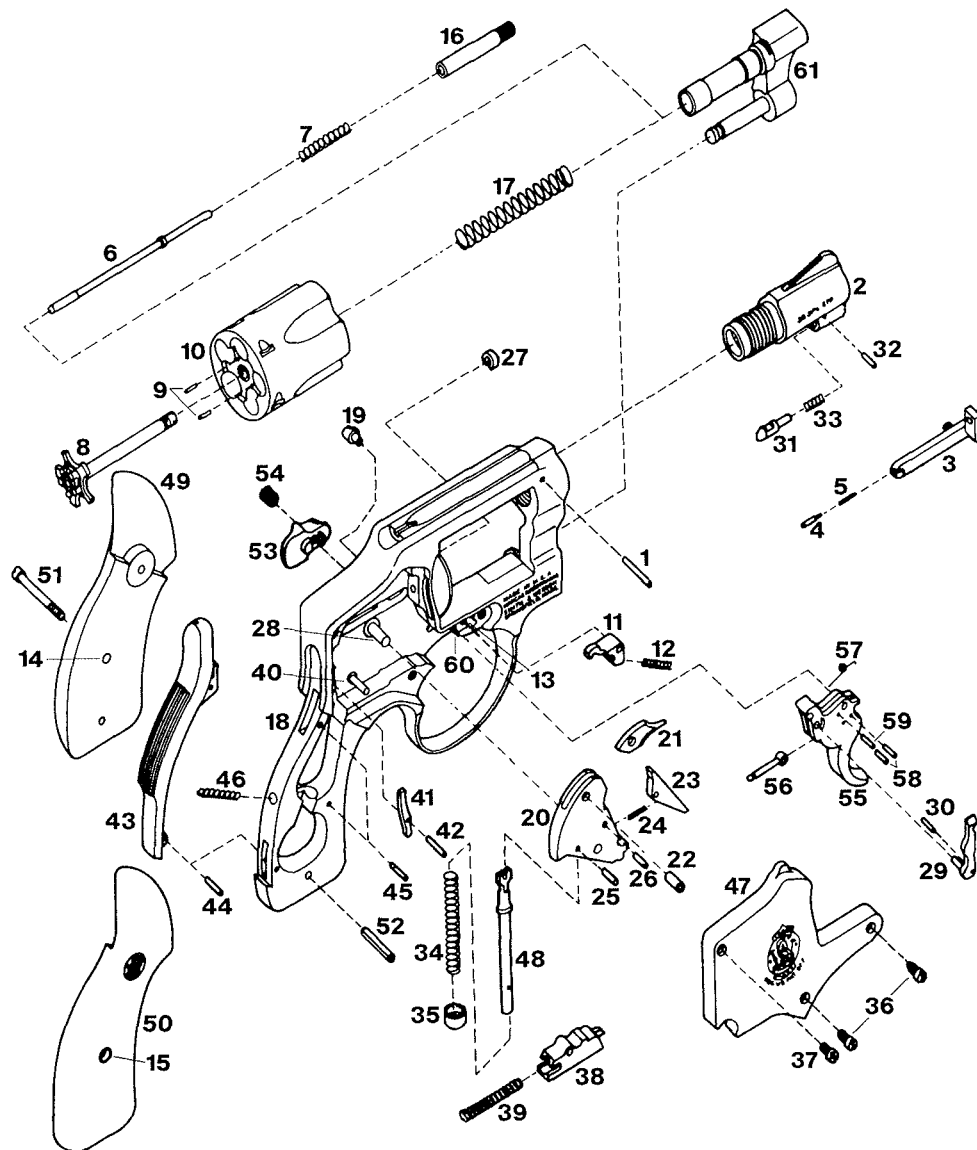
Model 39 Auto



- | | | | | | |
|----|----------------------------------|----|-------------------------------|----|---------------------------|
| 1 | Barrel | 27 | Magazine Follower | 53 | Sideplate |
| 2 | Barrel Bushing | 28 | Magazine Spring | 54 | Slide |
| 3 | Disconnecter | 29 | Magazine Tube | 55 | Slide Stop |
| 4 | Disconnecter Pin | 30 | Magazine Catch | 56 | Slide Stop Plunger |
| 5 | Drawbar | 31 | Magazine Catch Nut | 57 | Slide Stop Plunger Spring |
| 6 | Drawbar Plunger | 32 | Magazine Catch Plunger | 58 | Slide Stop Spiral Pin |
| 7 | Drawbar Plunger Spring | 33 | Magazine Catch Plunger Spring | 59 | Stock, Left |
| 8 | Ejector Depressor Plunger | 34 | Mainspring | 60 | Stock, Right |
| 9 | Ejector Depressor Plunger Spring | 35 | Mainspring Plunger | 61 | Stock Screws |
| 10 | Ejector Magazine Depressor | 36 | Manual Safety | 62 | Trigger |
| 11 | Ejector Spring | 37 | Manual Safety Plunger | 63 | Trigger Plunger |
| 12 | Extractor | 38 | Manual Safety Plunger Spring | 64 | Trigger Plunger Pin |
| 13 | Extractor Pin | 39 | Rear Sight Body | 65 | Trigger Plunger Spring |
| 14 | Extractor Spring | 40 | Rear Sight Plunger | 66 | Trigger Pin |
| 15 | Firing Pin | 41 | Rear Sight Plunger Spring | 67 | Trigger Play Spring |
| 16 | Firing Pin Spring | 42 | Rear Sight Slide | 68 | Trigger Play Spring Rivet |
| 17 | Frame | 43 | Rear Sight Windage Nut | | |
| 18 | Frame Stud | 44 | Rear Sight Windage Screw | | |
| 19 | Slide Stop Button | 45 | Recoil Spring | | |
| 20 | Hammer | 46 | Recoil Spring Guide Assembly | | |
| 21 | Stirrup | 47 | Sear | | |
| 22 | Stirrup Pin | 48 | Sear Spring | | |
| 23 | Insert | 49 | Sear Spring Plunger | | |
| 24 | Insert Pin | 50 | Sear Spring Plunger Pin | | |
| 25 | Magazine Buttplate | 51 | Sear Pin | | |
| 26 | Magazine Buttplate Catch | 52 | Sear Release Lever | | |

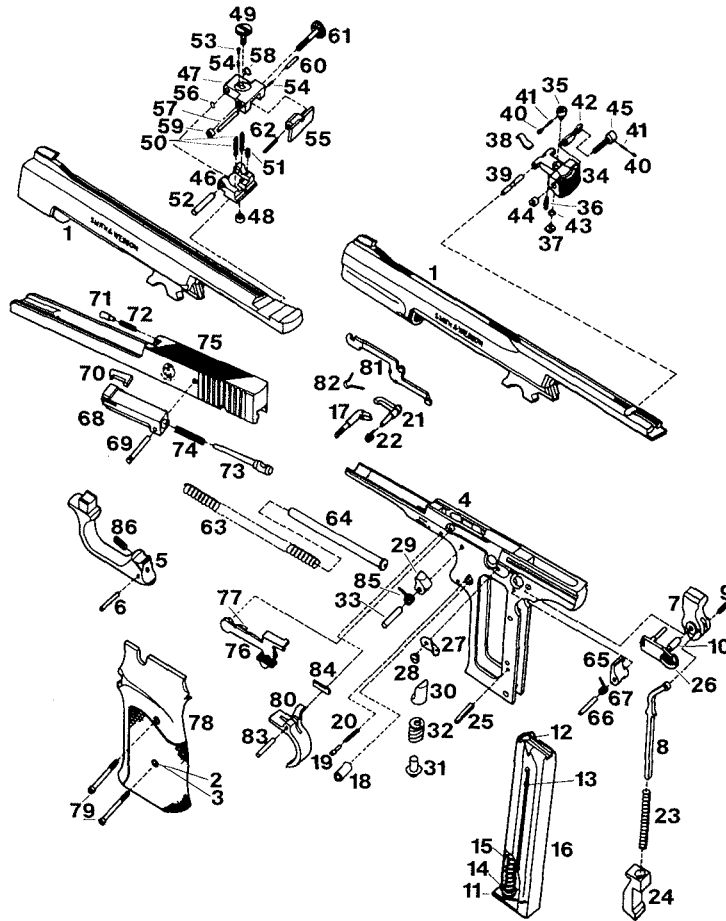
- Parts Not Shown**
- Recoil Spring Guide
 - Recoil Spring Guide Bushing
 - Recoil Spring Guide Plunger
 - Recoil Spring Guide Plunger Spring
 - Hammer Pin
 - Sideplate Button

Model 40 and 42 Revolver



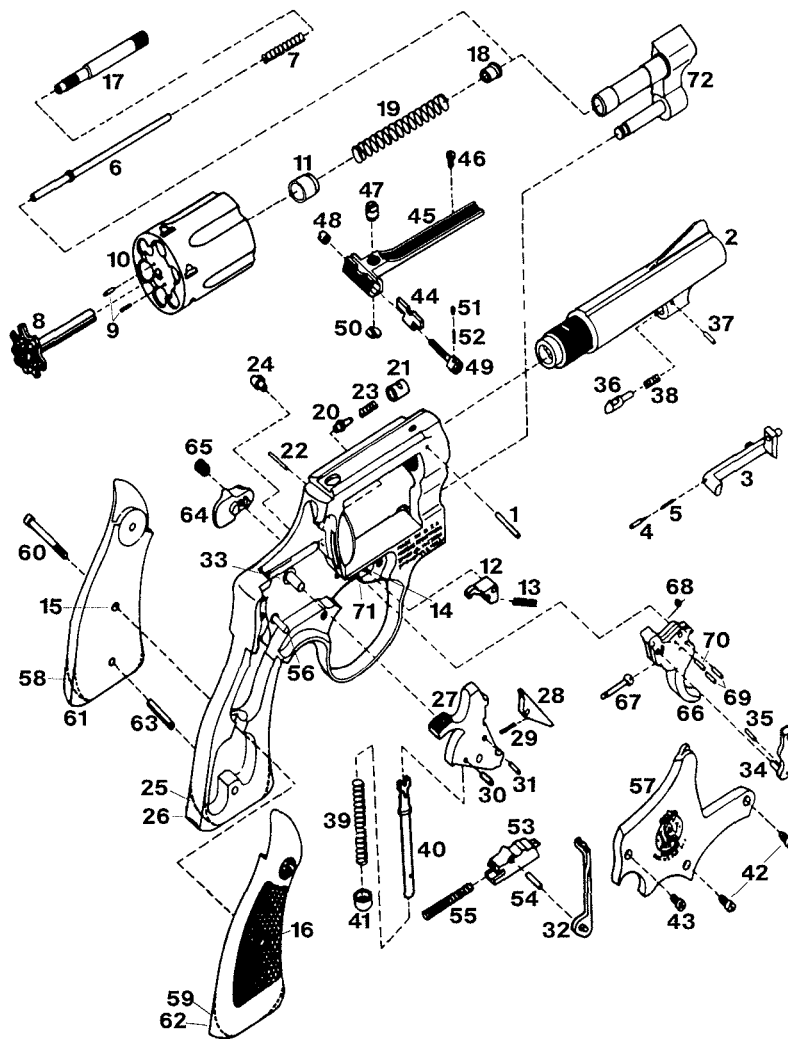
- | | | | | | |
|----|----------------------|----|----------------------------|----|------------------------------------|
| 1 | Barrel Pin | 21 | Hammer Nose | 41 | Safety Latch |
| 2 | Barrel | 22 | Hammer Nose Rivet | 42 | Safety Latch Pin |
| 3 | Bolt | 23 | Sear | 43 | Safety-Lever |
| 4 | Bolt Plunger | 24 | Sear Spring | 44 | Safety-Lever Disengaging Pin |
| 5 | Bolt Plunger Spring | 25 | Stirrup Pin | 45 | Safety-Lever Pin |
| 6 | Center Pin | 26 | Sear Pin | 46 | Safety-Lever Spring |
| 7 | Center Pin Spring | 27 | Hammer Nose Bushing | 47 | Sideplate |
| 8 | Extractor Assembly | 28 | Hammer Stud | 48 | Stirrup |
| 9 | Extractor Pins | 29 | Hand | 49 | Left Grip |
| 10 | Cylinder | 30 | Hand Pin | 50 | Right Grip |
| 11 | Cylinder Stop | 31 | Locking Bolt | 51 | Grip Screw |
| 12 | Cylinder Stop Spring | 32 | Locking Bolt Pin | 52 | Grip Locator Pin |
| 13 | Cylinder Stop Stud | 33 | Locking Bolt Spring | 53 | Thumb-Piece |
| 14 | Grip Escutcheon | 34 | Mainspring | 54 | Thumb-Piece Nut |
| 15 | Grip Escutcheon Nut | 35 | Mainspring Rod Swivel | 55 | Trigger |
| 16 | Extractor Rod | 36 | Sideplate Screws, Crowned | 56 | Trigger Lever |
| 17 | Extractor Spring | 37 | Sideplate Screw, Flat Head | 57 | Hand Torsion Spring |
| 18 | Frame | 38 | Rebound Slide Assembly | 58 | Trigger Lever and Hand Spring Pins |
| 19 | Frame Lug | 39 | Rebound Slide Spring | 59 | Hand Spring Torsion Pin |
| 20 | Hammer | 40 | Rebound Slide Stud | 60 | Trigger Stud |

Model 41 Auto



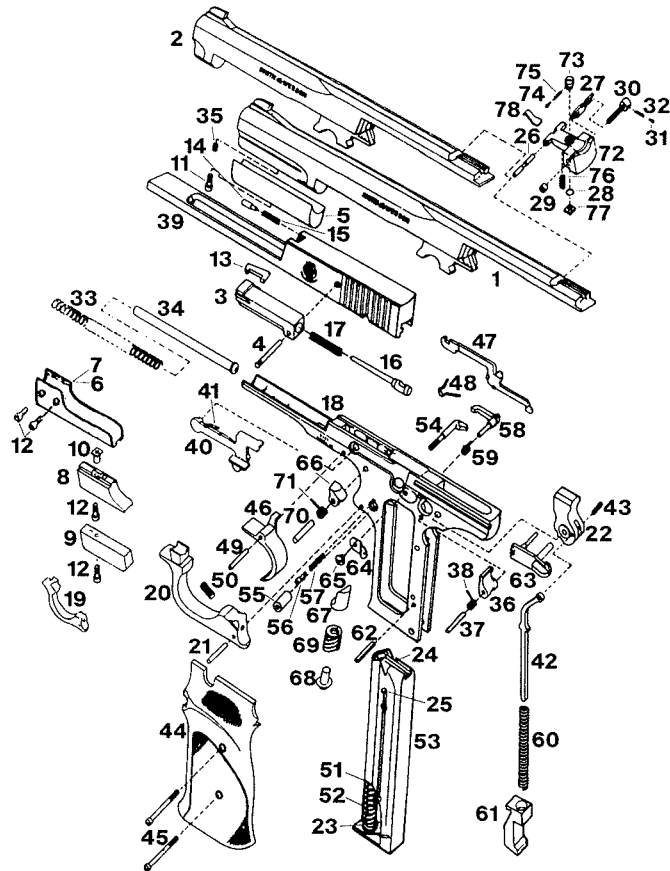
- | | | | | | |
|----|----------------------------------|----|------------------------------|----|------------------------------|
| 1 | Barrel, 5 1/2" Heavy, 7" | 30 | Pawl Cam | 59 | Rear Sight Windage Nut |
| 2 | Grip Escutcheon | 31 | Pawl Cam Plunger | 60 | Rear Sight Windage Plunger |
| 3 | Grip Escutcheon Nut | 32 | Pawl Cam Spring | 61 | Rear Sight Windage Screw |
| 4 | Frame | 33 | Pawl Pin | 62 | Rear Sight Windage Spring |
| 5 | Trigger Guard | 34 | Rear Sight Body | 63 | Recoil Spring |
| 6 | Trigger Guard Pin | 35 | Rear Sight Elevation Nut | 64 | Recoil Spring Guide |
| 7 | Hammer | 36 | Rear Sight Elevation Spring | 65 | Sear |
| 8 | Stirrup | 37 | Rear Sight Elevation Stud | 66 | Sear Pin |
| 9 | Stirrup Pin | 38 | Rear Sight Pivot Clip | 67 | Sear Spring |
| 10 | Hammer Pin | 39 | Rear Sight Pivot Pin | 68 | Bolt |
| 11 | Magazine Base Plate | 40 | Rear Sight Plungers | 69 | Bolt Pin |
| 12 | Magazine Follower | 41 | Rear Sight Plunger Springs | 70 | Extractor |
| 13 | Magazine Pin | 42 | Rear Sight Slide | 71 | Extractor Plunger |
| 14 | Magazine Plunger | 43 | Rear Sight Spring Clip | 72 | Extractor Spring |
| 15 | Magazine Spring | 44 | Rear Sight Windage Nut | 73 | Firing Pin |
| 16 | Magazine Body | 45 | Rear Sight Windage Screw | 74 | Firing Pin Spring |
| 17 | Magazine Catch | 46 | Rear Sight Base | 75 | Slide |
| 18 | Magazine Catch Nut | 47 | Rear Sight Body | 76 | Slide Stop and Ejector |
| 19 | Magazine Catch Plunger | 48 | Rear Sight Elevation Nut | 77 | Slide Stop Spring |
| 20 | Magazine Catch Spring | 49 | Rear Sight Elevation Screw | 78 | Grip |
| 21 | Magazine Disconnecter | 50 | Rear Sight Elevation Springs | 79 | Stock Screws |
| 22 | Magazine Disconnecter Spring | 51 | Rear Sight Lock Screw | 80 | Trigger |
| 23 | Mainspring | 52 | Rear Sight Pivot Pin | 81 | Trigger Bar |
| 24 | Mainspring Retainer | 53 | Rear Sight Plunger | 82 | Trigger Bar Spring |
| 25 | Mainspring Retainer Pin | 54 | Rear Sight Plunger Springs | 83 | Trigger Pin |
| 26 | Manual Safety | 55 | Rear Sight Slide | 84 | Trigger Pull Adjusting Lever |
| 27 | Manual Safety Spring Plate | 56 | Rear Sight Spring Clip | 85 | Trigger Spring |
| 28 | Manual Safety Spring Plate Screw | 57 | Rear Sight Traverse Pin | 86 | Trigger Stop Screw |
| 29 | Pawl | 58 | Rear Sight Wavy Washer | | |

Model 43 and 51 Revolver



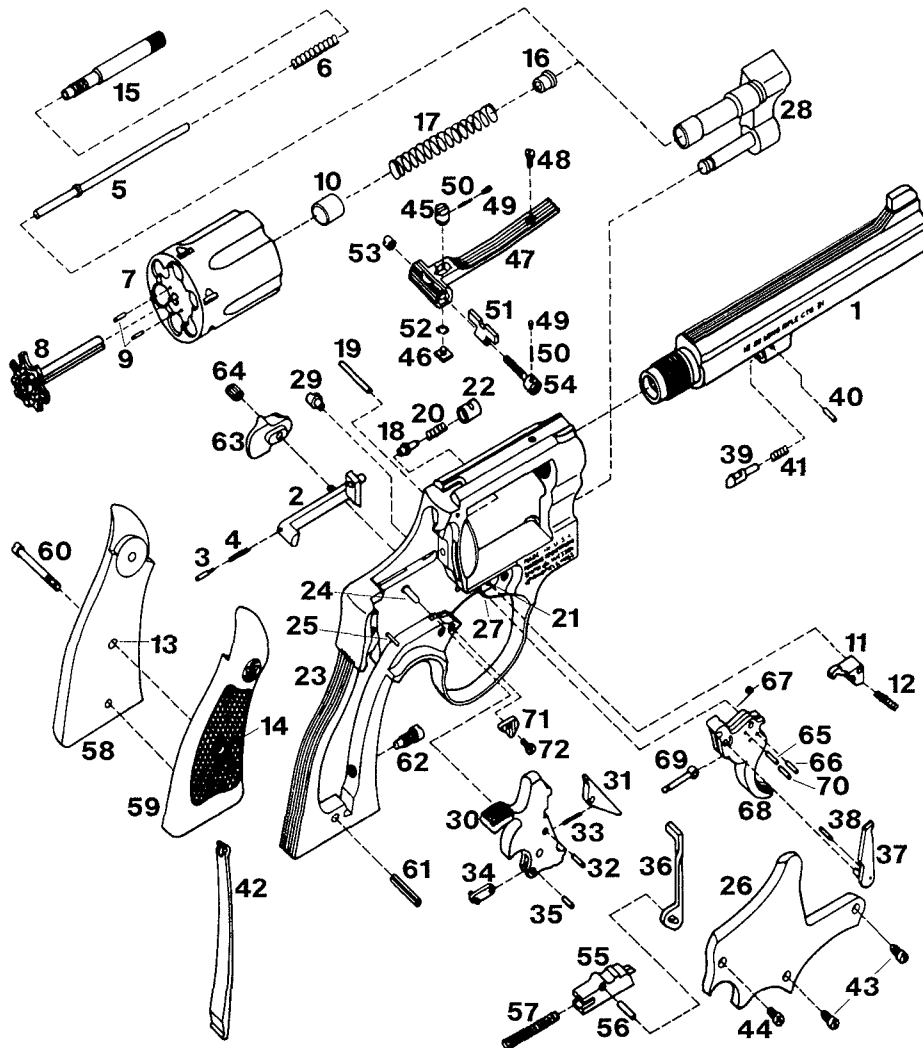
1	Barrel Pin	25	Frame, Round (Model 51)	49	Rear Sight Windage Screw
2	Barrel	26	Frame, Square (Model 43, 51)	50	Rear Sight Elevation Click Plug
3	Bolt	27	Hammer	51	Rear Sight Plunger
4	Bolt Plunger	28	Sear	52	Rear Sight Plunger Spring
5	Bolt Plunger Spring	29	Sear Spring	53	Rebound Slide Assembly
6	Center Pin	30	Stirrup Pin	54	Rebound Slide Pin
7	Center Pin Spring	31	Sear Pin	55	Rebound Slide Spring
8	Extractor Assembly	32	Hammer Block	56	Rebound Slide Stud
9	Extractor Pins	33	Hammer Stud	57	Sideplate
10	Cylinder	34	Hand	58	Left Grip, Round Butt
11	Gas Ring	35	Hand Pin	59	Right Grip, Round Butt
12	Cylinder Stop	36	Locking Bolt	60	Grip Screw
13	Cylinder Stop Spring	37	Locking Bolt Pin	61	Left Grip, Square Butt
14	Cylinder Stop Stud	38	Locking Bolt Spring	62	Right Grip, Square Butt
15	Grip Escutcheon	39	Mainspring	63	Grip Locator Pin
16	Grip Escutcheon Nut	40	Mainspring Stirrup	64	Thumb-Piece
17	Extractor Rod	41	Mainspring Swivel	65	Thumb-Piece Nut
18	Extractor Rod Collar	42	Sideplate Screws, Crowned	66	Trigger
19	Extractor Spring	43	Sideplate Screw, Flat Head	67	Trigger Lever
20	Firing Pin	44	Rear Sight Slide	68	Hand Torsion Spring
21	Firing Pin Bushing	45	Rear Sight Leaf	69	Trigger Lever and Hand Spring Pins
22	Firing Pin Bushing Pin	46	Rear Sight Leaf Screw	70	Hand Torsion Spring Pin
23	Firing Pin Spring	47	Rear Sight Elevation Screw	71	Trigger Stud
24	Frame Lug	48	Rear Sight Windage Nut	72	Yoke

Model 46 Auto



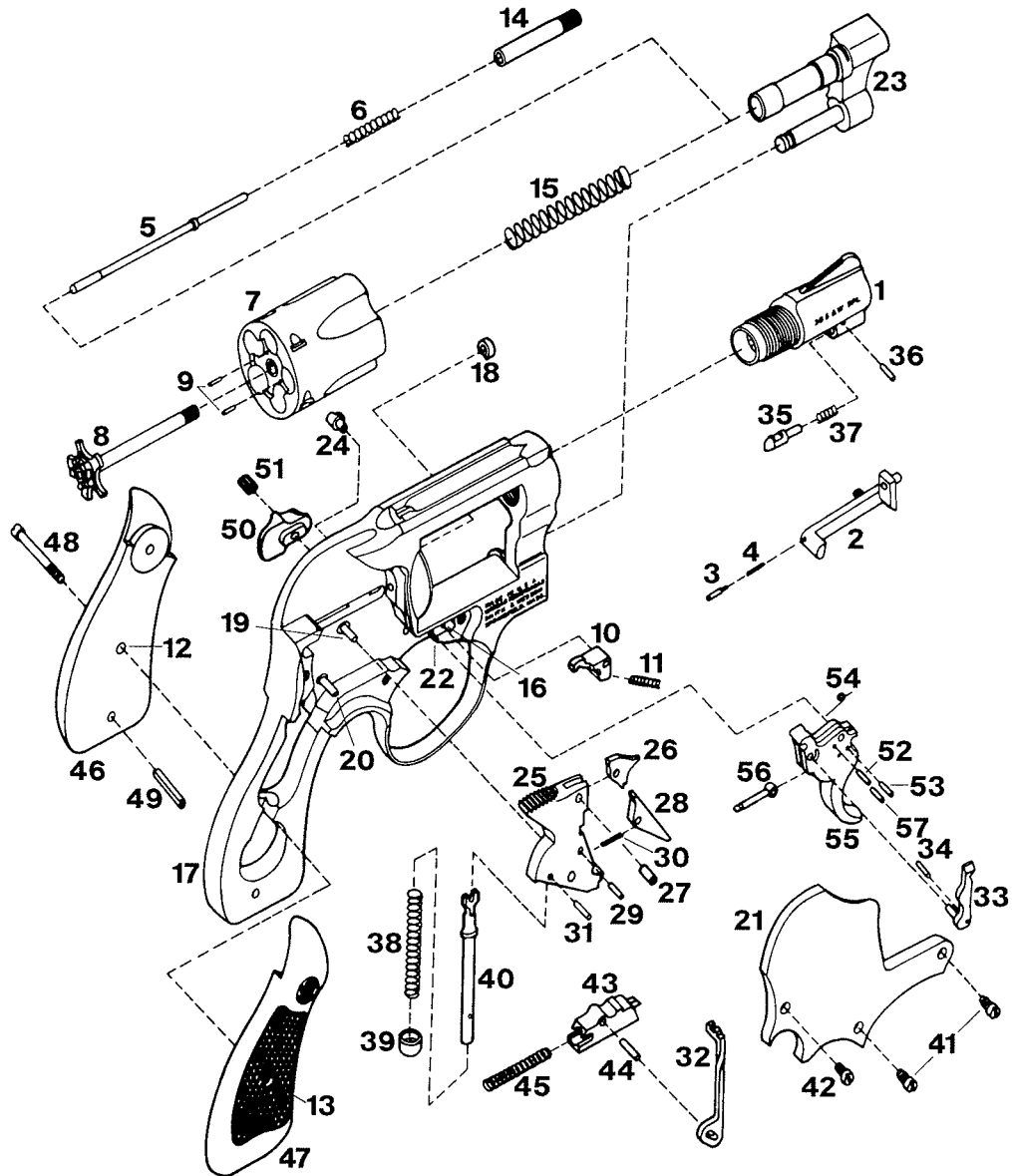
1	Barrel, 7"	27	Rear Sight Slide	55	Magazine Catch Nut
2	Barrel, 5"	28	Rear Sight Spring Clip	56	Magazine Catch Plunger
3	Bolt	29	Rear Sight Windage Nut	57	Magazine Catch Spring
4	Bolt Pin	30	Rear Sight Windage Screw	58	Magazine Disconnecter Assembly
5	Counterweight, 2 oz.	31	Rear Sight Windage Screw Plunger	59	Magazine Disconnecter Spring
6	Counterweight Upper Section, Steel, 7 1/4 oz.	32	Rear Sight Windage Screw Plunger Spring	60	Mainspring
7	Counterweight Upper Section, Aluminum, 3 oz.	33	Recoil Spring	61	Mainspring Retainer
8	Counterweight Middle Section, 4 1/4 oz.	34	Recoil Spring Guide	62	Mainspring Retainer Pin
9	Counterweight Lower Section, 4 oz.	35	Counterweight Hole Screw	63	Manual Safety Assembly
10	Counterweight Nut	36	Sear	64	Manual Safety Spring Plate
11	Counterweight Screw	37	Sear Pin	65	Manual Safety Spring Plate Screw
12	Counterweight Screws	38	Sear Spring	66	Pawl
13	Extractor	39	Slide	67	Pawl Cam
14	Extractor Plunger	40	Slide Stop and Ejector Assembly	68	Pawl Cam Plunger
15	Extractor Spring	41	Slide Stop Spring	69	Pawl Cam Spring
16	Firing Pin	42	Stirrup	70	Pawl Pin
17	Firing Pin Spring	43	Stirrup Pin	71	Pawl and Trigger Spring
18	Frame	44	Left Grip with Escutcheon	72	Rear Sight Base
19	Guard Accessory	45	Grip Screws	73	Rear Sight Elevating Nut
20	Guard	46	Trigger	74	Rear Sight Elevating Nut Plunger
21	Guard Pin	47	Trigger Bar	75	Rear Sight Elevating Nut Plunger Spring
22	Hammer	48	Trigger Bar Spring	76	Rear Sight Elevating Spring
23	Magazine Base Plate	49	Trigger Pin	77	Rear Sight Elevating Stud
24	Magazine Follower	50	Trigger Stop Screw	78	Rear Sight Pivot Clip
25	Magazine Pin	51	Magazine Spring		
26	Rear Sight Pivot Pin	52	Magazine Spring Plunger		
		53	Magazine Body		
		54	Magazine Catch		
				Parts Not Shown	
				Right Grip with Escutcheon	

Model 48 Revolver

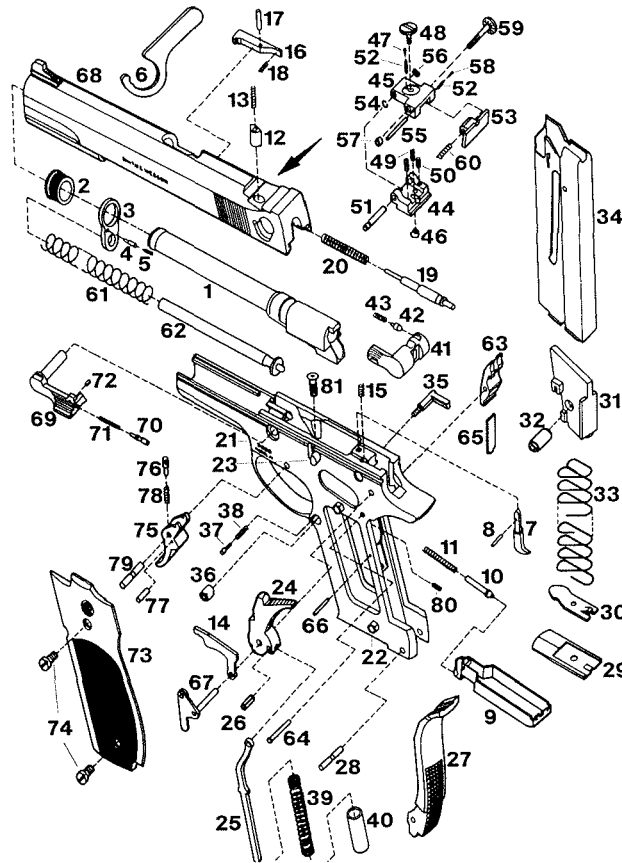


1	Barrel	25	Rebound Slide Stud	49	Rear Sight Plungers
2	Bolt	26	Sideplate	50	Rear Sight Plunger Springs
3	Bolt Plunger	27	Trigger Stud	51	Rear Sight Slide
4	Bolt Plunger Spring	28	Yoke	52	Rear Sight Spring Clip
5	Center Pin	29	Frame Lug	53	Rear Sight Windage Nut
6	Center Pin Spring	30	Hammer	54	Rear Sight Windage Screw
7	Cylinder	31	Sear	55	Rebound Slide
8	Extractor	32	Sear Pin	56	Rebound Slide Pin
9	Extractor Pins	33	Sear Spring	57	Rebound Slide Spring
10	Gas Ring	34	Stirrup	58	Left Grip
11	Cylinder Stop	35	Stirrup Pin	59	Right Grip
12	Cylinder Stop Spring	36	Hammer Block	60	Grip Screw
13	Grip Escutcheon	37	Hand	61	Grip Locator Pin
14	Grip Escutcheon Nut	38	Hand Pin	62	Strain Screw
15	Extractor Rod	39	Locking Bolt	63	Thumb-Piece
16	Extractor Rod Collar	40	Locking Bolt Pin	64	Thumb-Piece Nut
17	Extractor Spring	41	Locking Bolt Spring	65	Hand Spring Pin
18	Firing Pin	42	Mainspring	66	Hand Spring Torsion Pin
19	Firing Pin Bushing Pin	43	Sideplate Screws, Crowned	67	Hand Torsion Spring
20	Firing Pin Spring	44	Sideplate Screw, Flat Head	68	Trigger
21	Cylinder Stop Stud	45	Rear Sight Elevation Nut	69	Trigger Lever
22	Firing Pin Bushing	46	Rear Sight Elevation Stud	70	Trigger Lever Pin
23	Frame	47	Rear Sight Leaf	71	Trigger Stop
24	Hammer Stud	48	Rear Sight Leaf Screw	72	Trigger Stop Screw

Model 49 Revolver

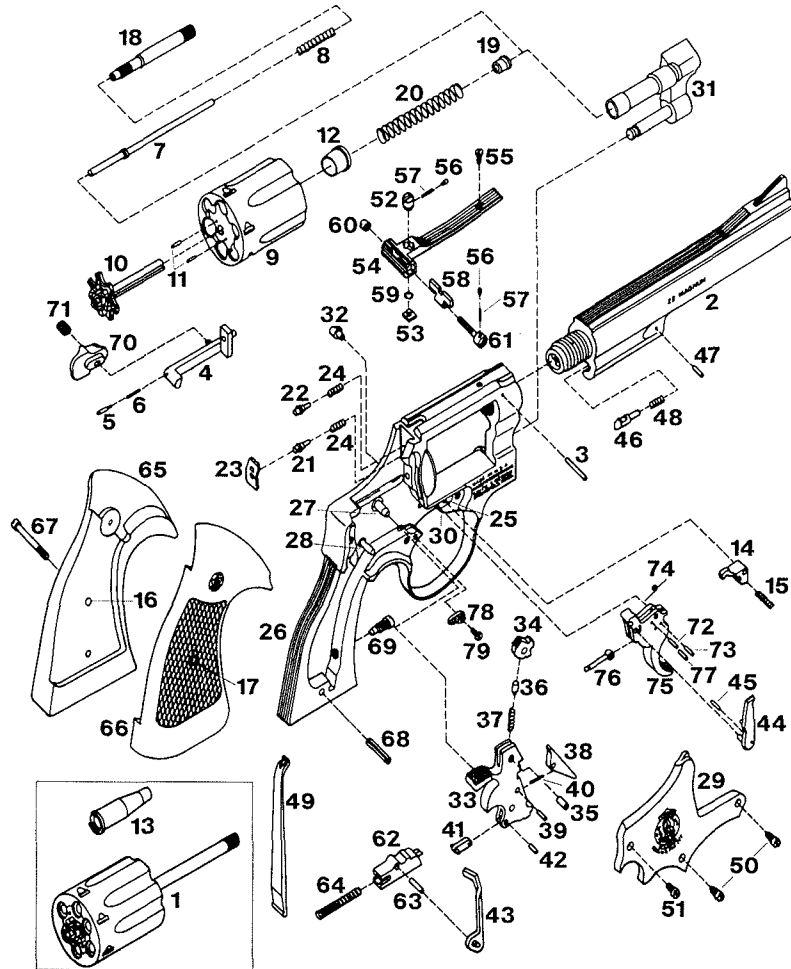


1	Barrel	20	Rebound Slide Stud	39	Mainspring Rod Swivel
2	Bolt	21	Sideplate	40	Mainspring Stirrup
3	Bolt Plunger	22	Trigger Stud	41	Sideplate Screws, Crowned
4	Bolt Plunger Spring	23	Yoke	42	Sideplate Screw, Flat Head
5	Center Pin	24	Frame Lug	43	Rebound Slide
6	Center Pin Spring	25	Hammer	44	Rebound Slide Pin
7	Cylinder	26	Hammer Nose	45	Rebound Slide Spring
8	Extractor	27	Hammer Nose Rivet	46	Left Grip
9	Extractor Pins	28	Sear	47	Right Grip
10	Cylinder Stop	29	Sear Pin	48	Grip Screw
11	Cylinder Stop Spring	30	Sear Spring	49	Grip Locator Pin
12	Grip Escutcheon	31	Stirrup Pin	50	Thumb-Piece
13	Grip Escutcheon Nut	32	Hammer Block	51	Thumb-Piece Nut
14	Extractor Rod	33	Hand	52	Hand Spring Pin
15	Extractor Spring	34	Hand Pin	53	Hand Spring Torsion Pin
16	Cylinder Stop Stud	35	Locking Bolt	54	Hand Torsion Spring
17	Frame	36	Locking Bolt Pin	55	Trigger
18	Hammer Nose Bushing	37	Locking Bolt Spring	56	Trigger Lever
19	Hammer Stud	38	Mainspring	57	Trigger Lever Pin



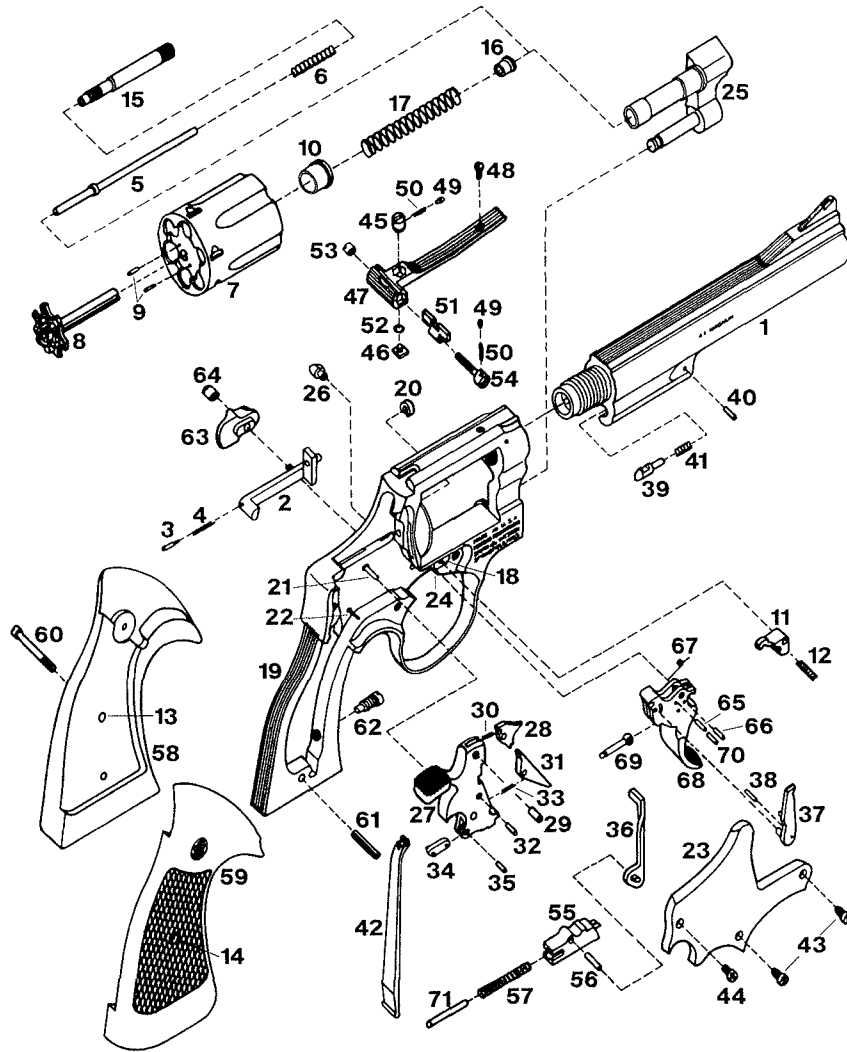
1	Barrel	32	Magazine Follower Pin	63	Sear
2	Barrel Bushing	33	Magazine Spring	64	Sear Pin
3	Barrel Bushing Plate	34	Magazine Body	65	Sear Spring
4	Barrel Bushing Plunger	35	Magazine Catch	66	Sear Spring Retaining Pin
5	Barrel Bushing Plunger Spring	36	Magazine Catch Nut	67	Sideplate Assembly
6	Barrel Bushing Wrench	37	Magazine Catch Plunger	68	Slide
7	Disconnecter	38	Magazine Catch Spring	69	Slide Stop
8	Disconnecter Pin	39	Mainspring	70	Slide Stop Plunger
9	Drawbar	40	Mainspring Plunger	71	Slide Stop Plunger Spring
10	Drawbar Plunger	41	Manual Safety	72	Slide Stop Spiral Pin
11	Drawbar Plunger Spring	42	Manual Safety Plunger	73	Grip
12	Ejector Depressor Plunger	43	Manual Safety Plunger Spring	74	Grip Screws
13	Ejector Depressor Plunger Spring	44	Rear Sight Base	75	Trigger
14	Ejector Magazine Depressor	45	Rear Sight Body	76	Trigger Plunger
15	Ejector Spring	46	Rear Sight Elevation Nut	77	Trigger Plunger Pin
16	Extractor	47	Rear Sight Elevation Plunger	78	Trigger Plunger Spring
17	Extractor Pivot Pin	48	Rear Sight Elevation Screw	79	Trigger Pin
18	Extractor Spring	49	Rear Sight Elevation Springs	80	Lower Trigger Stop Screw
19	Firing Pin	50	Rear Sight Lock Screw	81	Upper Trigger Stop Screw
20	Firing Pin Spring	51	Rear Sight Pivot Pin	Parts Not Shown	
21	Frame	52	Rear Sight Plunger Spring		Hammer Pin
22	Frame Stud	53	Rear Sight Slide		Recoil Spring Guide
23	Slide Stop Button	54	Rear Sight Spring Clip		Recoil Spring Guide Bushing
24	Hammer	55	Rear Sight Traverse Pin		Recoil Spring Guide Plunger
25	Stirrup	56	Rear Sight Wavy Washer		Recoil Spring Guide Spring
26	Stirrup Pin	57	Rear Sight Windage Nut		Sideplate
27	Frame Insert	58	Rear Sight Windage Plunger		Sideplate Button
28	Frame Insert Pin	59	Rear Sight Windage Screw		
29	Magazine Floorplate	60	Rear Sight Windage Spring		
30	Magazine Floorplate Catch	61	Recoil Spring		
31	Magazine Follower	62	Recoil Spring Guide Assembly		

Model 53 Revolver



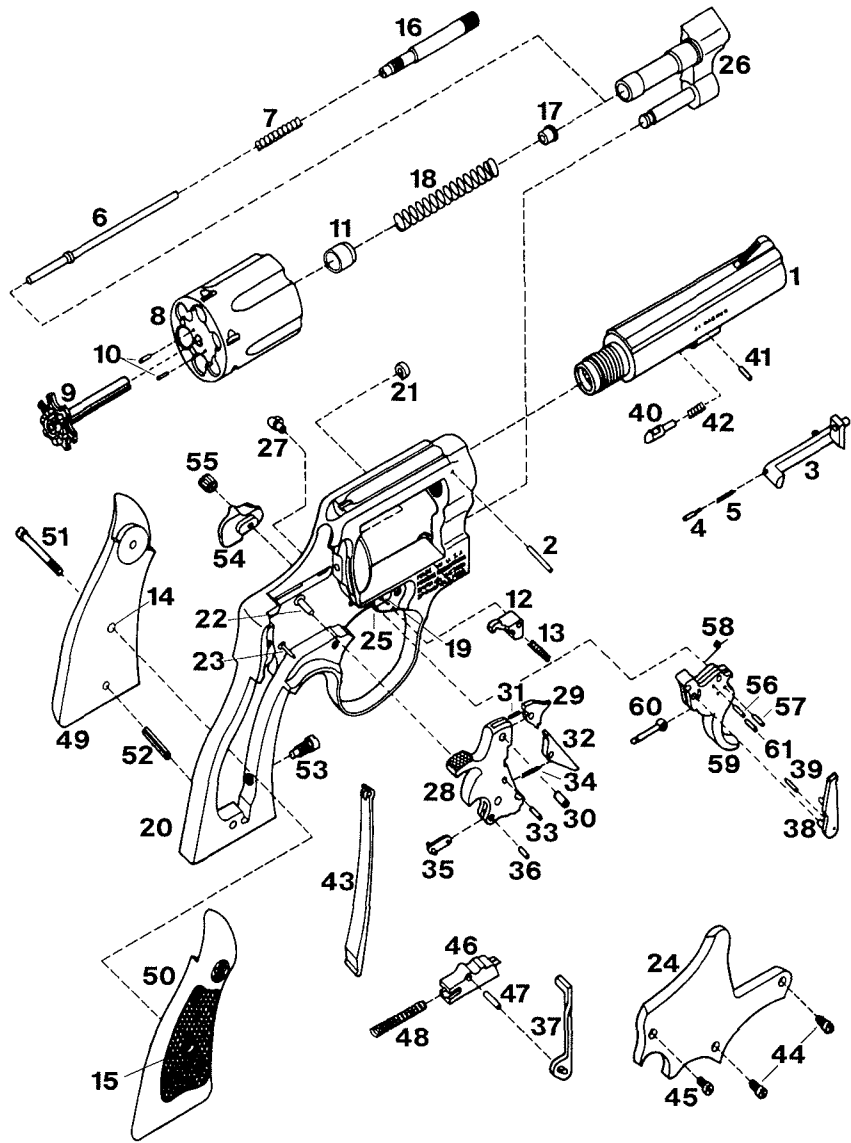
- | | | | | | |
|----|-------------------------|----|----------------------------|----|---------------------------|
| 1 | Auxiliary 22LR Cylinder | 28 | Rebound Slide Stud | 55 | Rear Sight Leaf Screw |
| 2 | Barrel | 29 | Sideplate | 56 | Rear Sight Plungers |
| 3 | Barrel Pin | 30 | Trigger Stud | 57 | Rear Sight Plunger Spring |
| 4 | Bolt | 31 | Yoke | 58 | Rear Sight Slide |
| 5 | Bolt Plunger | 32 | Frame Lug | 59 | Rear Sight Spring Clip |
| 6 | Bolt Plunger Spring | 33 | Hammer | 60 | Rear Sight Windage Nut |
| 7 | Center Pin | 34 | Hammer Nose | 61 | Rear Sight Windage Screw |
| 8 | Center Pin Spring | 35 | Hammer Nose Rivet | 62 | Rebound Slide |
| 9 | Cylinder, 22 WMR | 36 | Hammer Nose Plunger | 63 | Rebound Slide Pin |
| 10 | Extractor | 37 | Hammer Nose Plunger Spring | 64 | Rebound Slide Spring |
| 11 | Extractor Pins | 38 | Sear | 65 | Left Grip |
| 12 | Gas Ring | 39 | Sear Pin | 66 | Right Grip |
| 13 | Cylinder Insert | 40 | Sear Spring | 67 | Grip Screw |
| 14 | Cylinder Stop | 41 | Stirrup | 68 | Grip Locator Pin |
| 15 | Cylinder Stop Spring | 42 | Stirrup Pin | 69 | Strain Screw |
| 16 | Grip Escutcheon | 43 | Hammer Block | 70 | Thumb-Piece |
| 17 | Grip Escutcheon Nut | 44 | Hand | 71 | Thumb-Piece Nut |
| 18 | Extractor Rod | 45 | Hand Pin | 72 | Hand Spring Pin |
| 19 | Extractor Rod Collar | 46 | Locking Bolt | 73 | Hand Spring Torsion Pin |
| 20 | Extractor Spring | 47 | Locking Bolt Pin | 74 | Hand Torsion Spring |
| 21 | Lower Firing Pin | 48 | Locking Bolt Spring | 75 | Trigger |
| 22 | Upper Firing Pin | 49 | Mainspring | 76 | Trigger Lever |
| 23 | Firing Pin Retainer | 50 | Sideplate Screws, Crowned | 77 | Trigger Lever Pin |
| 24 | Firing Pin Springs | 51 | Sideplate Screw, Flat Head | 78 | Trigger Stop |
| 25 | Cylinder Stop Stud | 52 | Rear Sight Elevation Nut | 79 | Trigger Stop Screw |
| 26 | Frame | 53 | Rear Sight Elevation Stud | | |
| 27 | Hammer Stud | 54 | Rear Sight Leaf | | |

Model 57 Revolver

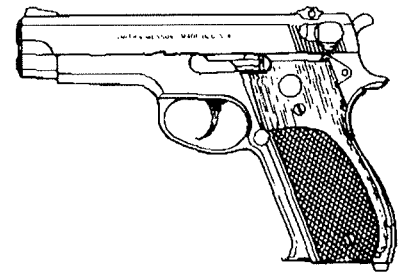
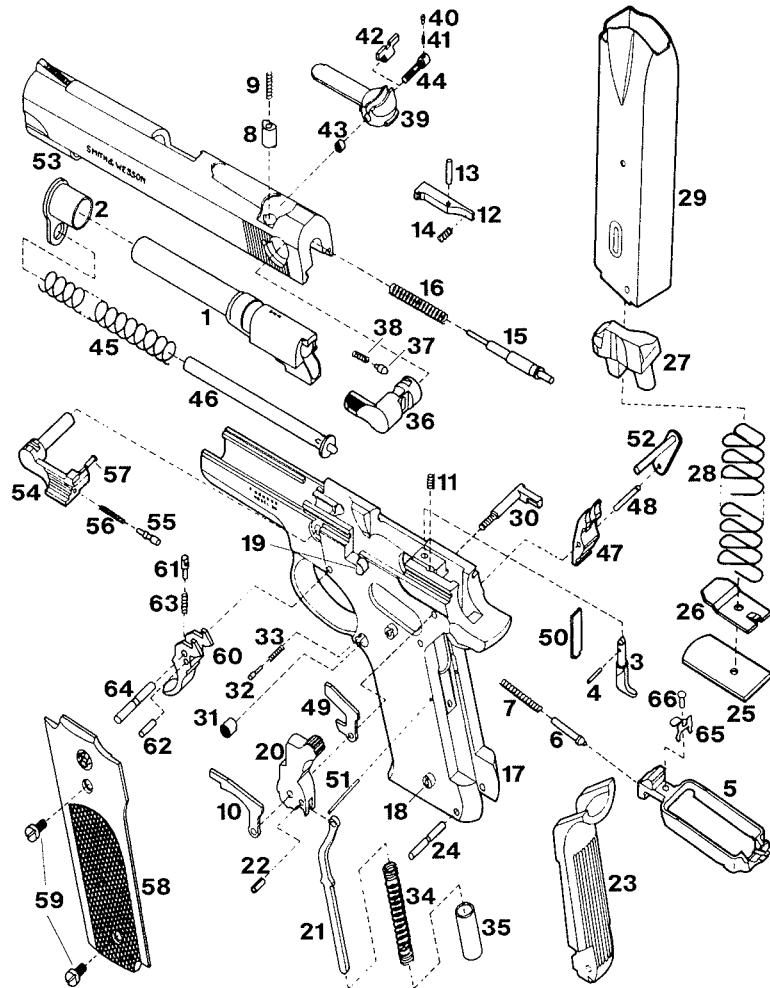


1	Barrel	25	Yoke	49	Rear Sight Plunger
2	Bolt	26	Frame Lug	50	Rear Sight Plunger Spring
3	Bolt Plunger	27	Hammer	51	Rear Sight Slide
4	Bolt Plunger Spring	28	Hammer Nose	52	Rear Sight Spring Clip
5	Center Pin	29	Hammer Nose Rivet	53	Rear Sight Windage Nut
6	Center Pin Spring	30	Hammer Nose Spring	54	Rear Sight Windage Screw
7	Cylinder	31	Sear	55	Rebound Slide
8	Extractor	32	Sear Pin	56	Rebound Slide Pin
9	Extractor Pins	33	Sear Spring	57	Rebound Slide Spring
10	Gas Ring	34	Stirrup	58	Left Grip
11	Cylinder Stop	35	Stirrup Pin	59	Right Grip
12	Cylinder Stop Spring	36	Hammer Block	60	Grip Screw
13	Grip Escutcheon	37	Hand	61	Grip Locator Pin
14	Grip Escutcheon Nut	38	Hand Pin	62	Strain Screw
15	Extractor Rod	39	Locking Bolt	63	Thumb-Piece
16	Extractor Rod Collar	40	Locking Bolt Pin	64	Thumb-Piece Nut
17	Extractor Spring	41	Locking Bolt Spring	65	Hand Spring Pin
18	Cylinder Stop Stud	42	Mainspring	66	Hand Spring Torsion Pin
19	Frame	43	Sideplate Screws, Crowned	67	Hand Torsion Spring
20	Hammer Nose Bushing	44	Sideplate Screw, Flat Head	68	Trigger
21	Hammer Stud	45	Rear Sight Elevation Nut	69	Trigger Lever
22	Rebound Slide Stud	46	Rear Sight Elevation Stud	70	Trigger Lever Pin
23	Sideplate	47	Rear Sight Leaf	71	Trigger Stop Rod
24	Trigger Stud	48	Rear Sight Leaf Screw		

Model 58 Revolver

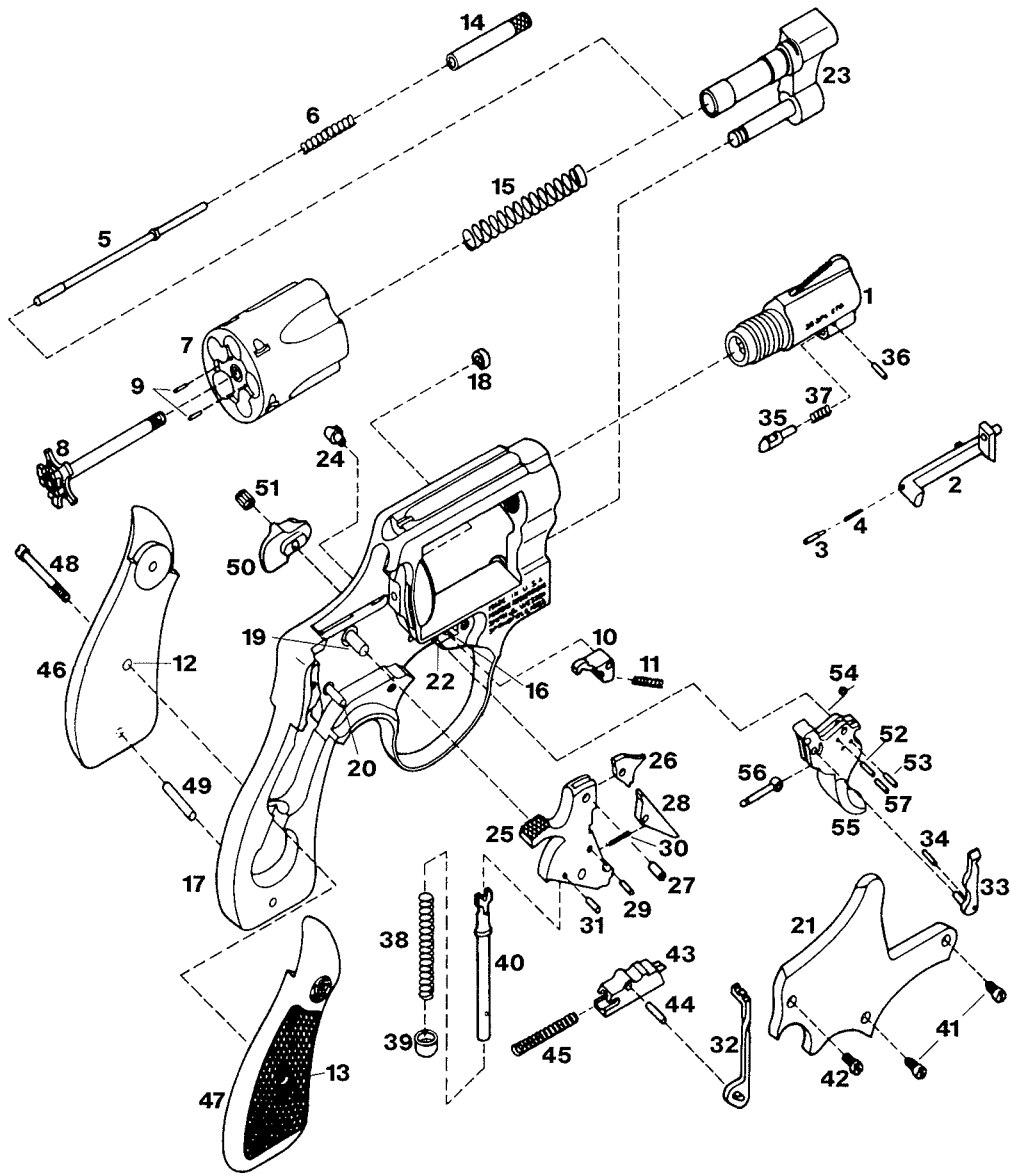


1	Barrel	22	Hammer Stud	43	Mainspring
2	Barrel Pin	23	Rebound Slide Stud	44	Sideplate Screws, Crowned
3	Bolt	24	Sideplate	45	Sideplate Screw, Flat Head
4	Bolt Plunger	25	Trigger Stud	46	Rebound Slide
5	Bolt Plunger Spring	26	Yoke	47	Rebound Slide Pin
6	Center Pin	27	Frame Lug	48	Rebound Slide Spring
7	Center Pin Spring	28	Hammer	49	Left Grip
8	Cylinder	29	Hammer Nose	50	Right Grip
9	Extractor	30	Hammer Nose Rivet	51	Grip Screw
10	Extractor Pins	31	Hammer Nose Spring	52	Grip Locator Pin
11	Gas Ring	32	Sear	53	Strain Screw
12	Cylinder Stop	33	Sear Pin	54	Thumb-Piece
13	Cylinder Stop Spring	34	Sear Spring	55	Thumb-Piece Nut
14	Grip Escutcheon	35	Stirrup	56	Hand Spring Pin
15	Grip Escutcheon Nut	36	Stirrup Pin	57	Hand Spring Torsion Pin
16	Extractor Rod	37	Hammer Block	58	Hand Torsion Spring
17	Extractor Rod Collar	38	Hand	59	Trigger
18	Extractor Spring	39	Hand Pin	60	Trigger Lever
19	Cylinder Stop Stud	40	Locking Bolt	61	Trigger Lever Pin
20	Frame	41	Locking Bolt Pin		
21	Hammer Nose Bushing	42	Locking Bolt Spring		

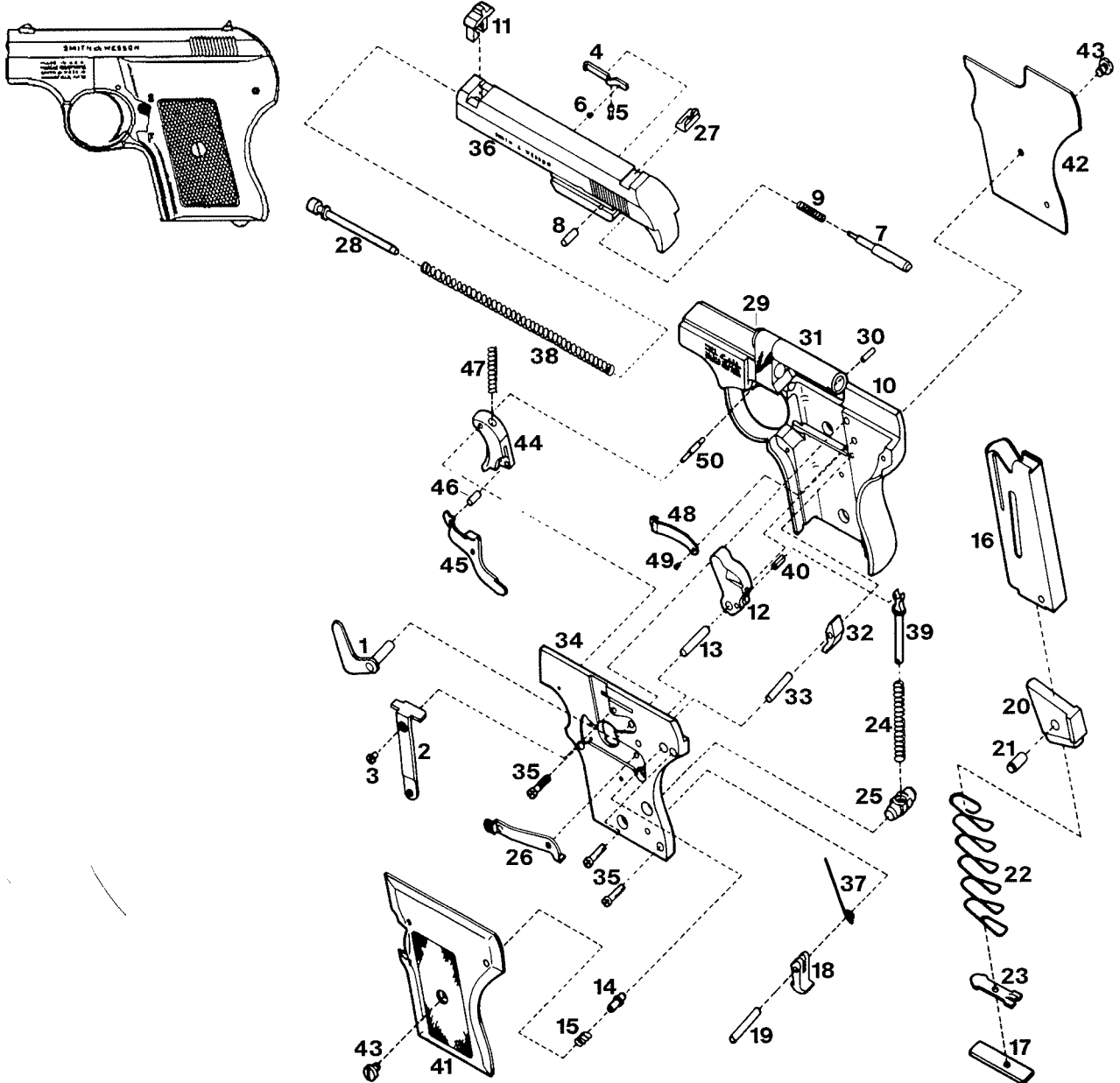


1	Barrel	26	Magazine Base Plate Catch	51	Sear Spring Retaining Pin
2	Barrel Bushing	27	Magazine Follower	52	Sideplate
3	Disconnecter	28	Magazine Spring	53	Slide
4	Disconnecter Pin	29	Magazine Body	54	Slide Stop
5	Drawbar	30	Magazine Catch	55	Slide Stop Plunger
6	Drawbar Plunger	31	Magazine Catch Nut	56	Slide Stop Plunger Spring
7	Drawbar Plunger Spring	32	Magazine Catch Plunger	57	Slide Stop Spiral Pin
8	Ejector Depressor Plunger	33	Magazine Catch Plunger Spring	58	Left Grip
9	Ejector Depressor Plunger Spring	34	Mainspring	59	Stock Screws
10	Ejector Magazine Depressor	35	Mainspring Plunger	60	Trigger
11	Ejector Spring	36	Manual Safety	61	Trigger Plunger
12	Extractor	37	Manual Safety Plunger	62	Trigger Plunger Pin
13	Extractor Pin	38	Manual Safety Plunger Spring	63	Trigger Plunger Spring
14	Extractor Spring	39	Rear Sight Leaf	64	Trigger Pin
15	Firing Pin	40	Rear Sight Plunger	65	Trigger Play Spring
16	Firing Pin Spring	41	Rear Sight Plunger Spring	66	Trigger Play Rivet
17	Frame	42	Rear Sight Slide		
18	Frame Stud	43	Rear Sight Windage Nut	Parts Not Shown	
19	Slide Stop Button	44	Rear Sight Windage Screw		Hammer Pin
20	Hammer	45	Recoil Spring		Recoil Spring Guide
21	Stirrup	46	Recoil Spring Guide Assembly		Recoil Spring Guide Bushing
22	Stirrup Pin	47	Sear		Recoil Spring Guide Plunger
23	Frame Insert	48	Sear Pin		Recoil Spring Guide Plunger Spring
24	Frame Insert Pin	49	Sear Release Lever		Right Grip
25	Magazine Base Plate	50	Sear Spring		Sideplate Button

Model 60 Revolver

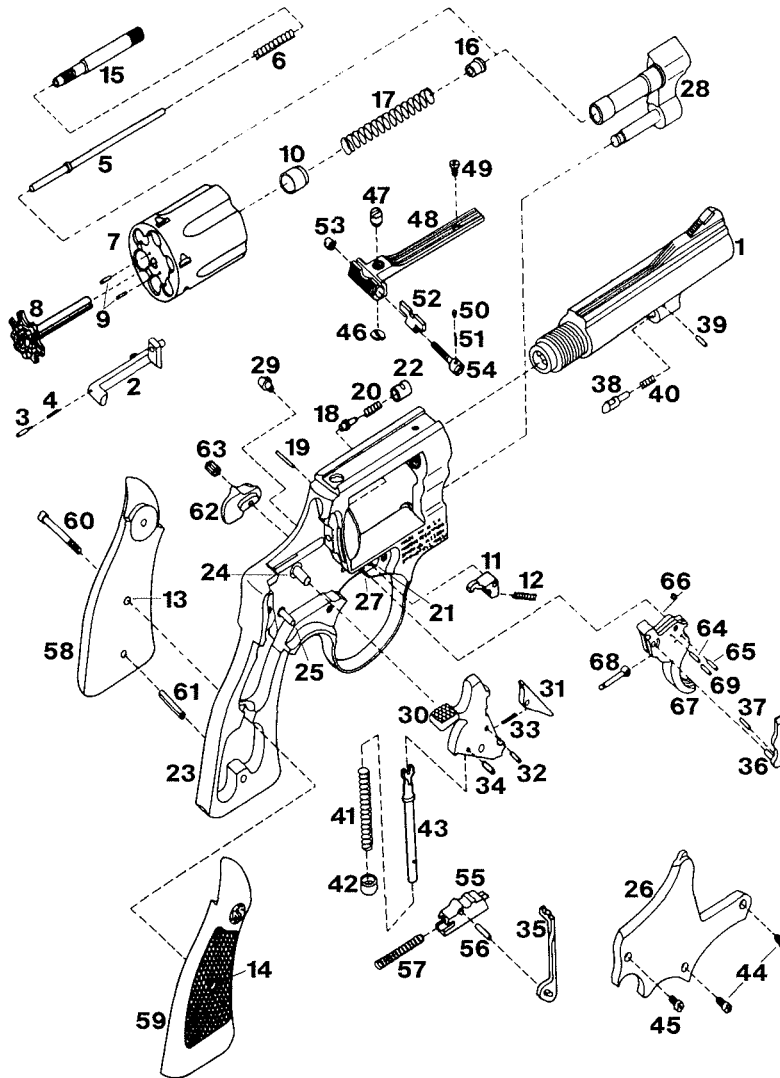


1	Barrel	20	Rebound Slide Stud	39	Mainspring Rod Swivel
2	Bolt	21	Sideplate	40	Mainspring Stirrup
3	Bolt Plunger	22	Trigger Stud	41	Sideplate Screws, Crowned
4	Bolt Plunger Spring	23	Yoke	42	Sideplate Screw, Flat Head
5	Center Pin	24	Frame Lug	43	Rebound Slide
6	Center Pin Spring	25	Hammer	44	Rebound Slide Pin
7	Cylinder	26	Hammer Nose	45	Rebound Slide Spring
8	Extractor	27	Hammer Nose Rivet	46	Left Grip
9	Extractor Pins	28	Sear	47	Right Grip
10	Cylinder Stop	29	Sear Pin	48	Grip Screw
11	Cylinder Stop Spring	30	Sear Spring	49	Grip Locator Pin
12	Grip Escutcheon	31	Stirrup Pin	50	Thumb-Piece
13	Grip Escutcheon Nut	32	Hammer Block	51	Thumb-Piece Nut
14	Extractor Rod	33	Hand	52	Hand Spring Pin
15	Extractor Spring	34	Hand Pin	53	Hand Spring Torsion Pin
16	Cylinder Stop Stud	35	Locking Bolt	54	Hand Torsion Spring
17	Frame	36	Locking Bolt Pin	55	Trigger
18	Hammer Nose Bushing	37	Locking Bolt Spring	56	Trigger Lever
19	Hammer Stud	38	Mainspring	57	Trigger Lever Pin



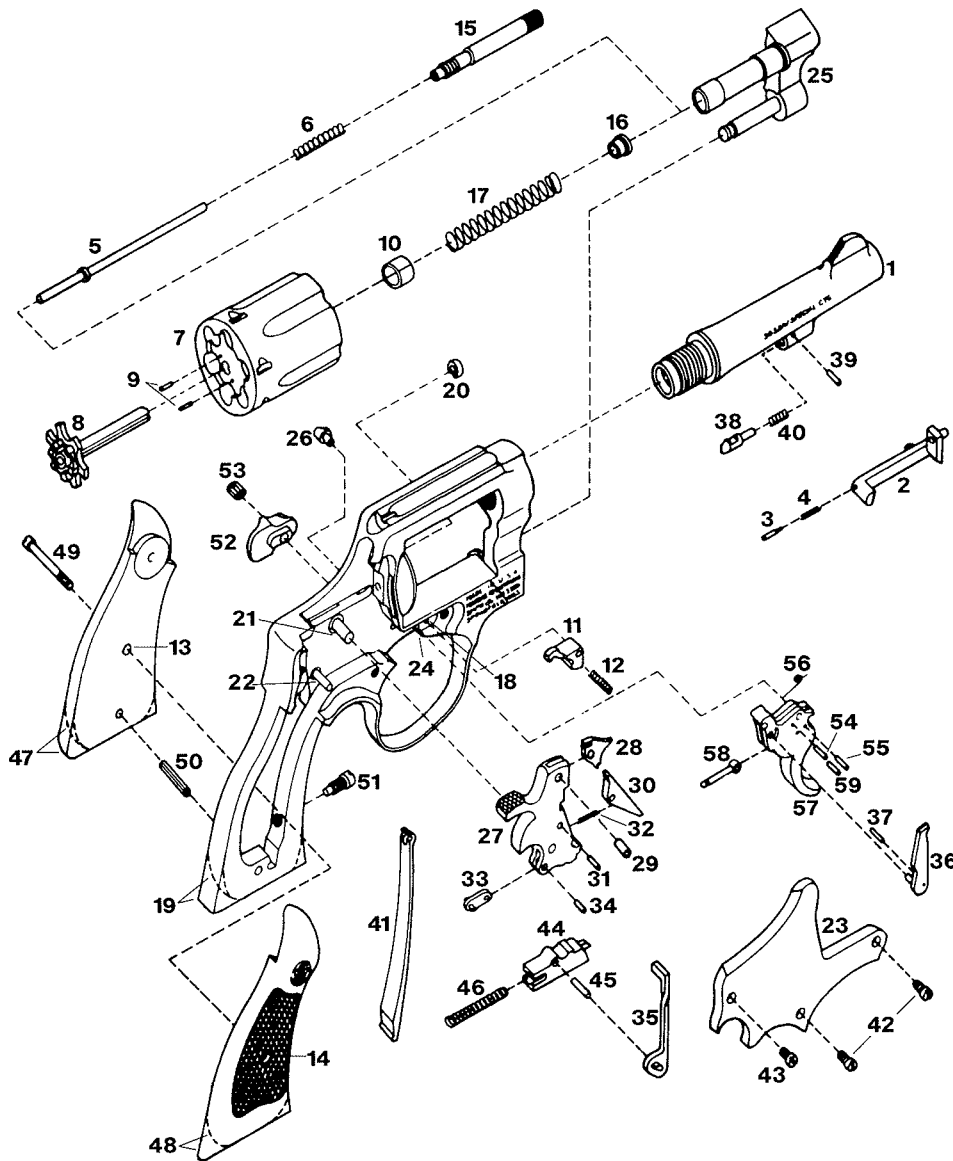
1	Disconnecter	18	Magazine Catch	35	Sideplate Screws
2	Ejector	19	Magazine Catch Pin	36	Slide
3	Ejector Screw	20	Magazine Follower	37	Magazine Catch and Sear Spring
4	Extractor	21	Magazine Follower Pin	38	Recoil Spring
5	Extractor Pin	22	Magazine Spring	39	Stirrup
6	Extractor Spring	23	Magazine Spring Plate	40	Stirrup Pin
7	Firing Pin	24	Mainspring	41	Left Grip
8	Firing Pin Retaining Pin	25	Mainspring Retainer	42	Right Grip
9	Firing Pin Spring	26	Manual Safety-Lever	43	Grip Screws
10	Frame	27	Rear Sight Blade	44	Trigger
11	Front Sight	28	Recoil Spring Guide	45	Trigger Bar
12	Hammer	29	Recoil Spring Guide Tube	46	Trigger Bar Pin
13	Hammer Pin	30	Recoil Spring Stop Pin	47	Trigger Bar Spring
14	Indicator Plunger	31	Retainer Tube	48	Trigger Block
15	Indicator Plunger Spring	32	Sear	49	Trigger Block Rivet
16	Magazine Body	33	Sear Pin	50	Trigger Pin
17	Magazine Base Plate	34	Sideplate		

Model 63 Revolver



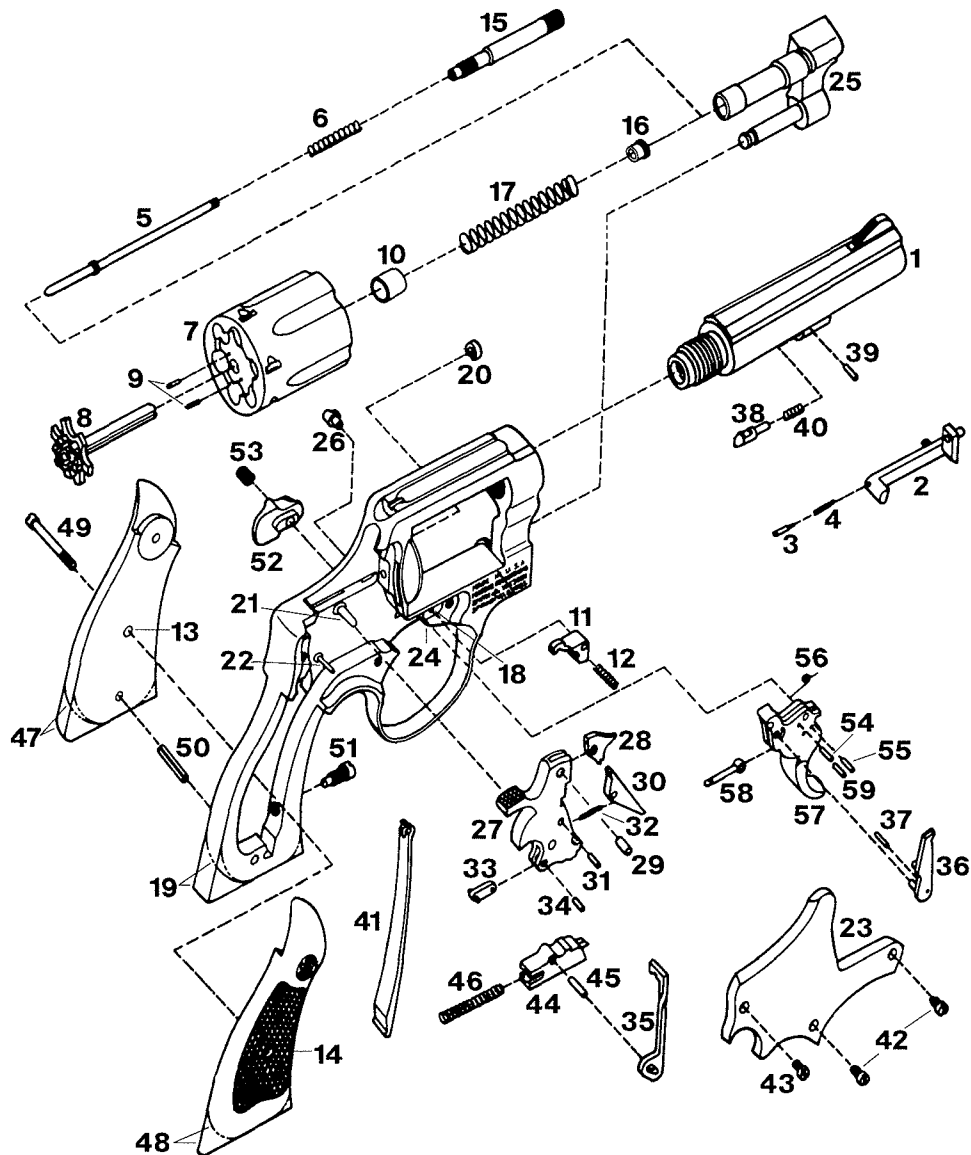
1	Barrel	24	Hammer Stud	47	Rear Sight Elevation Screw
2	Bolt	25	Rebound Slide Stud	48	Rear Sight Leaf
3	Bolt Plunger	26	Sideplate	49	Rear Sight Leaf Screw
4	Bolt Plunger Spring	27	Trigger Stud	50	Rear Sight Plunger
5	Center Pin	28	Yoke	51	Rear Sight Plunger Spring
6	Center Pin Spring	29	Frame Lug	52	Rear Sight Slide
7	Cylinder	30	Hammer	53	Rear Sight Windage Nut
8	Extractor	31	Sear	54	Rear Sight Windage Screw
9	Extractor Pins	32	Sear Pin	55	Rebound Slide
10	Gas Ring	33	Sear Spring	56	Rebound Slide Pin
11	Cylinder Stop	34	Stirrup Pin	57	Rebound Slide Spring
12	Cylinder Stop Spring	35	Hammer Block	58	Left Grip
13	Grip Escutcheon	36	Hand	59	Right Grip
14	Grip Escutcheon Nut	37	Hand Pin	60	Grip Screw
15	Extractor Rod	38	Locking Bolt	61	Grip Locator Pin
16	Extractor Rod Collar	39	Locking Bolt Pin	62	Thumb-Piece
17	Extractor Spring	40	Locking Bolt Spring	63	Thumb-Piece Nut
18	Firing Pin	41	Mainspring	64	Hand Spring Pin
19	Firing Pin Bushing Pin	42	Mainspring Rod Swivel	65	Hand Spring Torsion Pin
20	Firing Pin Spring	43	Mainspring Stirrup	66	Hand Torsion Spring
21	Cylinder Stop Stud	44	Sideplate Screws, Crowned	67	Trigger
22	Firing Pin Bushing	45	Sideplate Screw, Flat Head	68	Trigger Lever
23	Frame	46	Rear Sight Elevation Click Plug	69	Trigger Lever Pin

Model 64 Revolver



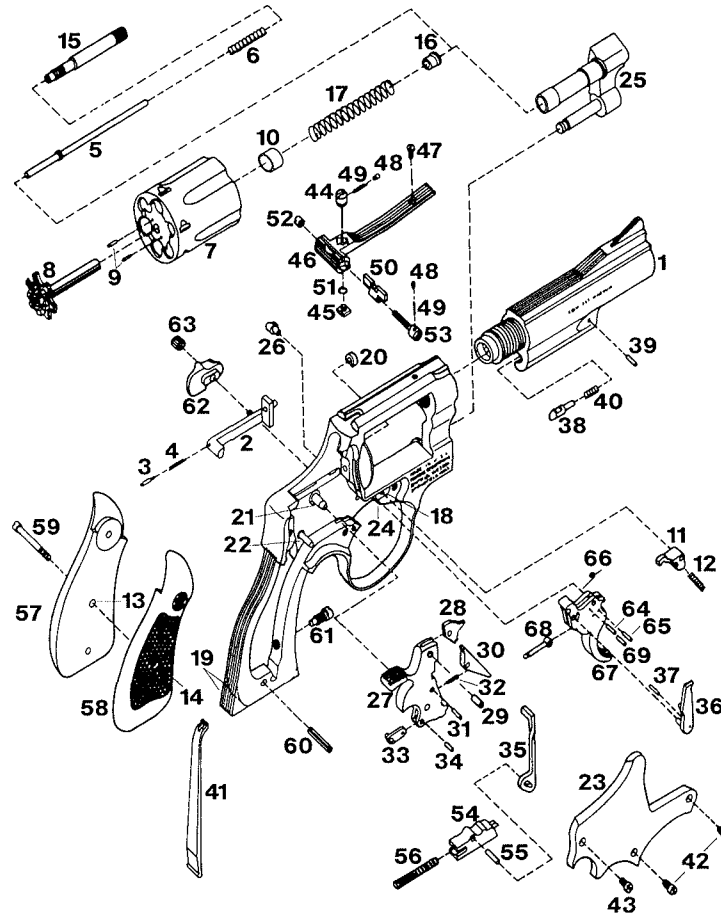
1	Barrel	21	Hammer Stud	41	Mainspring
2	Bolt	22	Rebound Slide Stud	42	Sideplate Screws, Crowned
3	Bolt Plunger	23	Sideplate	43	Sideplate Screw, Flat Head
4	Bolt Plunger Spring	24	Trigger Stud	44	Rebound Slide
5	Center Pin	25	Yoke	45	Rebound Slide Pin
6	Center Pin Spring	26	Frame Lug	46	Rebound Slide Spring
7	Cylinder	27	Hammer	47	Left Grip
8	Extractor	28	Hammer Nose	48	Right Grip
9	Extractor Pins	29	Hammer Nose Rivet	49	Grip Screw
10	Gas Ring	30	Sear	50	Grip Locator Pin
11	Cylinder Stop	31	Sear Pin	51	Strain Screw
12	Cylinder Stop Spring	32	Sear Spring	52	Thumb-Piece
13	Grip Escutcheon	33	Stirrup	53	Thumb-Piece Nut
14	Grip Escutcheon Nut	34	Stirrup Pin	54	Hand Spring Pin
15	Extractor Rod	35	Hammer Block	55	Hand Spring Torsion Pin
16	Extractor Rod Collar	36	Hand	56	Hand Torsion Spring
17	Extractor Spring	37	Hand Pin	57	Trigger
18	Cylinder Stop Stud	38	Locking Bolt	58	Trigger Lever
19	Frame	39	Locking Bolt Pin	59	Trigger Lever Pin
20	Hammer Nose Bushing	40	Locking Bolt Spring		

Model 65 Revolver



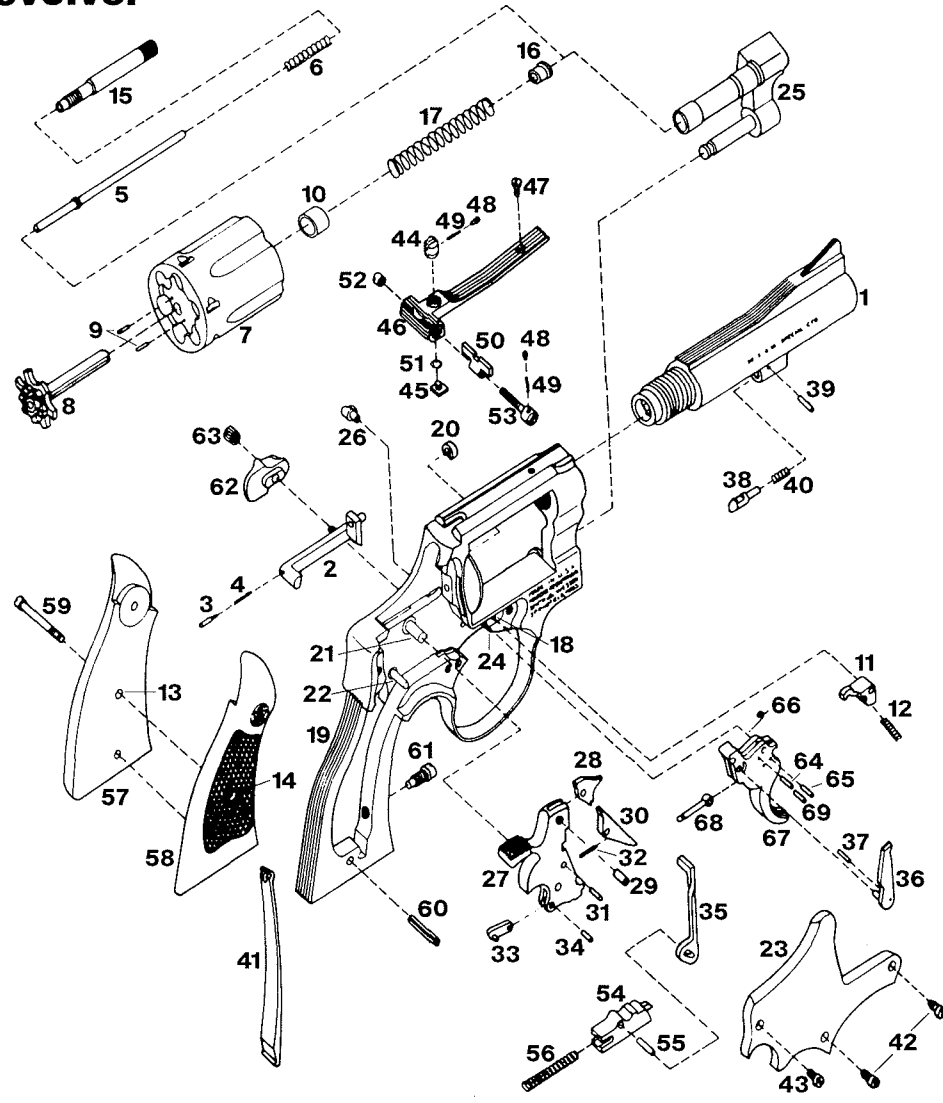
1	Barrel	21	Hammer Stud	41	Mainspring
2	Bolt	22	Rebound Slide Stud	42	Sideplate Screws, Crowned
3	Bolt Plunger	23	Sideplate	43	Sideplate Screw, Flat Head
4	Bolt Plunger Spring	24	Trigger Stud	44	Rebound Slide
5	Center Pin	25	Yoke	45	Rebound Slide Pin
6	Center Pin Spring	26	Frame Lug	46	Rebound Slide Spring
7	Cylinder	27	Hammer	47	Left Grip
8	Extractor	28	Hammer Nose	48	Right Grip
9	Extractor Pins	29	Hammer Nose Rivet	49	Grip Screw
10	Gas Ring	30	Sear	50	Grip Locator Pin
11	Cylinder Stop	31	Sear Pin	51	Strain Screw
12	Cylinder Stop Spring	32	Sear Spring	52	Thumb-Piece
13	Grip Escutcheon	33	Stirrup	53	Thumb-Piece Nut
14	Grip Escutcheon Nut	34	Stirrup Pin	54	Hand Spring Pin
15	Extractor Rod	35	Hammer Block	55	Hand Spring Torsion Pin
16	Extractor Rod Collar	36	Hand	56	Hand Torsion Spring
17	Extractor Spring	37	Hand Pin	57	Trigger
18	Cylinder Stop Stud	38	Locking Bolt	58	Trigger Lever
19	Frame	39	Locking Bolt Pin	59	Trigger Lever Pin
20	Hammer Nose Bushing	40	Locking Bolt Spring		

Model 66 Revolver

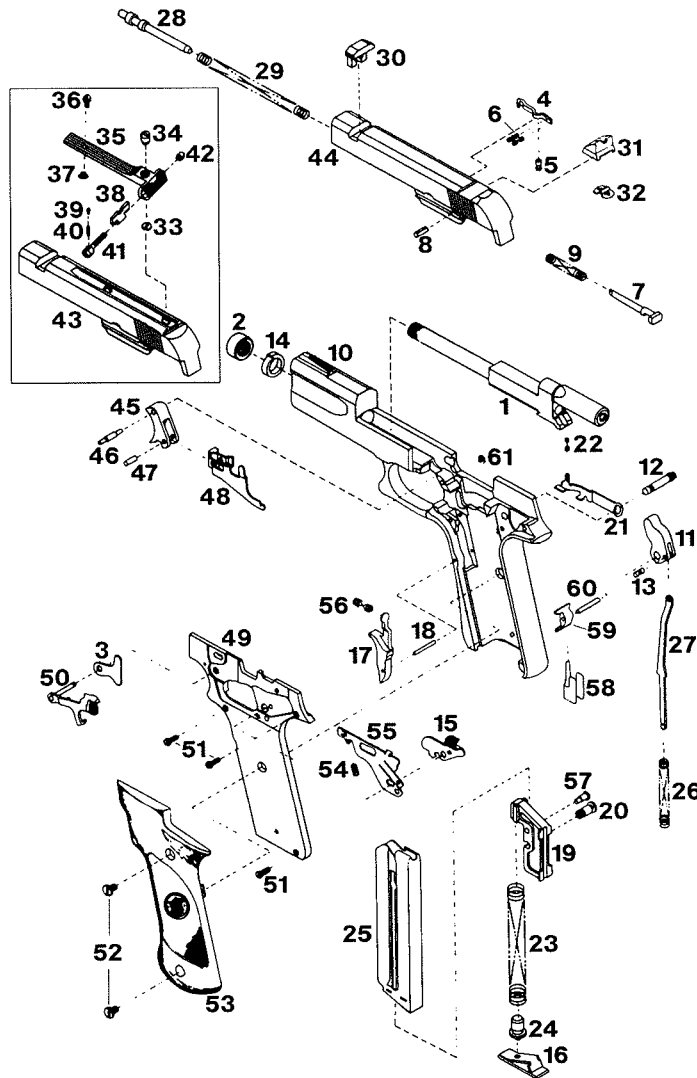


1	Barrel	24	Trigger Stud	47	Rear Sight Leaf Screw
2	Bolt	25	Yoke	48	Rear Sight Plungers
3	Bolt Plunger	26	Frame Lug	49	Rear Sight Plunger Springs
4	Bolt Plunger Spring	27	Hammer	50	Rear Sight Slide
5	Center Pin	28	Hammer Nose	51	Rear Sight Clip
6	Center Pin Spring	29	Hammer Nose Rivet	52	Rear Sight Windage Nut
7	Cylinder	30	Sear	53	Rear Sight Windage Screw
8	Extractor	31	Sear Pin	54	Rebound Slide
9	Extractor Pins	32	Sear Spring	55	Rebound Slide Pin
10	Gas Ring	33	Stirrup	56	Rebound Slide Spring
11	Cylinder Stop	34	Stirrup Pin	57	Left Grip, Round Butt
12	Cylinder Stop Spring	35	Hammer Block	58	Right Grip, Round Butt
13	Grip Escutcheon	36	Hand	59	Grip Screw
14	Grip Escutcheon Nut	37	Hand Pin	60	Grip Locator Pin
15	Extractor Rod	38	Locking Bolt	61	Strain Screw
16	Extractor Rod Collar	39	Locking Bolt Pin	62	Thumb-Piece
17	Extractor Spring	40	Locking Bolt Spring	63	Thumb-Piece Nut
18	Cylinder Stop Stud	41	Mainspring	64	Hand Spring Pin
19	Frame	42	Sideplate Screws, Crowned	65	Hand Spring Torsion Pin
20	Hammer Nose Bushing	43	Sideplate Screw, Flat Head	66	Hand Torsion Spring
21	Hammer Stud	44	Rear Sight Elevation Nut	67	Trigger
22	Rebound Slide Stud	45	Rear Sight Elevation Stud	68	Trigger Lever
23	Sideplate	46	Rear Sight Leaf	69	Trigger Lever Pin

Model 67 Revolver

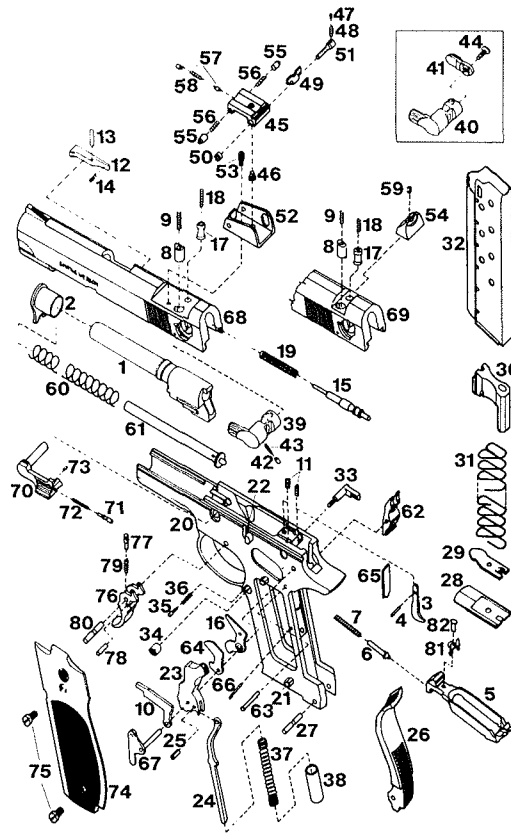


1	Barrel	24	Trigger Stud	47	Rear Sight Leaf Screw
2	Bolt	25	Yoke	48	Rear Sight Plungers
3	Bolt Plunger	26	Frame Lug	49	Rear Sight Plunger Springs
4	Bolt Plunger Spring	27	Hammer	50	Rear Sight Slide
5	Center Pin	28	Hammer Nose	51	Rear Sight Spring Clip
6	Center Pin Spring	29	Hammer Nose Rivet	52	Rear Sight Windage Nut
7	Cylinder	30	Sear	53	Rear Sight Windage Screw
8	Extractor	31	Sear Pin	54	Rebound Slide
9	Extractor Pins	32	Sear Spring	55	Rebound Slide Pin
10	Gas Ring	33	Stirrup	56	Rebound Slide Spring
11	Cylinder Stop	34	Stirrup Pin	57	Left Grip
12	Cylinder Stop Spring	35	Hammer Block	58	Right Grip
13	Grip Escutcheon	36	Hand	59	Grip Screw
14	Grip Escutcheon Nut	37	Hand Pin	60	Grip Locator Pin
15	Extractor Rod	38	Locking Bolt	61	Strain Screw
16	Extractor Rod Collar	39	Locking Bolt Pin	62	Thumb-Piece
17	Extractor Spring	40	Locking Bolt Spring	63	Thumb-Piece Nut
18	Cylinder Stop Stud	41	Mainspring	64	Hand Spring Pin
19	Frame	42	Sideplate Screws, Crowned	65	Hand Spring Torsion Pin
20	Hammer Nose Bushing	43	Sideplate Screw, Flat Head	66	Hand Torsion Spring
21	Hammer Stud	44	Rear Sight Elevation Nut	67	Trigger
22	Rebound Slide Stud	45	Rear Sight Elevation Stud	68	Trigger Lever
23	Sideplate	46	Rear Sight Leaf	69	Trigger Lever Pin

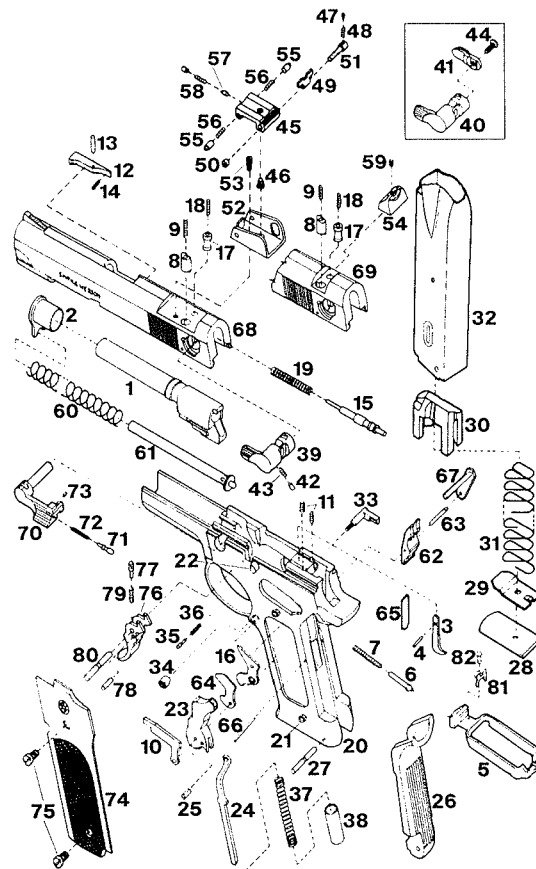


1	Barrel	23	Magazine Spring	42	Rear Wind. Screw Nut, Target
2	Barrel Nut	24	Magazine Spring Plunger	43	Slide, Target
3	Disconnecter	25	Magazine Body	44	Slide, 4 1/2"
4	Extractor	26	Mainspring	45	Trigger
5	Extractor Pin	27	Hammer Strut	46	Trigger Pin
6	Extractor Springs	28	Recoil Spring Guide	47	Trigger Bar Pin
7	Firing Pin	29	Recoil Spring	48	Trigger Bar
8	Firing Pin Retaining Pin	30	Recoil Spring Guide Plug	49	Sideplate
9	Firing Pin Spring	31	Rear Sight Body	50	Slide Stop/Ejector Assembly
10	Frame	32	Rear Sight Recoil Bushing	51	Sideplate Screws
11	Hammer	33	Rear Sight Elevation Screw<R>Retainer	52	Grip Screws
12	Hammer Pin	34	Rear Sight Elevation Screw, Target	53	Left Grip
13	Hammer Stirrup Pin	35	Rear Sight Leaf, Target	54	Slide Stop Spring
14	Barrel Nut Lock Washer	36	Rear Sight Leaf Screw, Target	55	Safety Catch Spring Plate
15	Safety Catch	37	Rear Sight Retainer Nut, Target	56	Trigger and Magazine Catch Spring
16	Magazine Base Plate	38	Rear Sight Leaf, Target	57	Slide Stop Stud
17	Magazine Catch	39	Rear Sight Wind. Screw Plunger, Target	58	Sear Spring
18	Magazine Catch Pin	40	Rear Sight Windage Screw Spring, Target	59	Sear
19	Magazine Follower	41	Rear Sight Windage Screw, Target	60	Sear Pin
20	Magazine Follower Pin			61	Trigger Pin Retainer
21	Magazine Safety			Parts Not Shown	
22	Magazine Safety Pin				Right Grip

Model 439 Auto

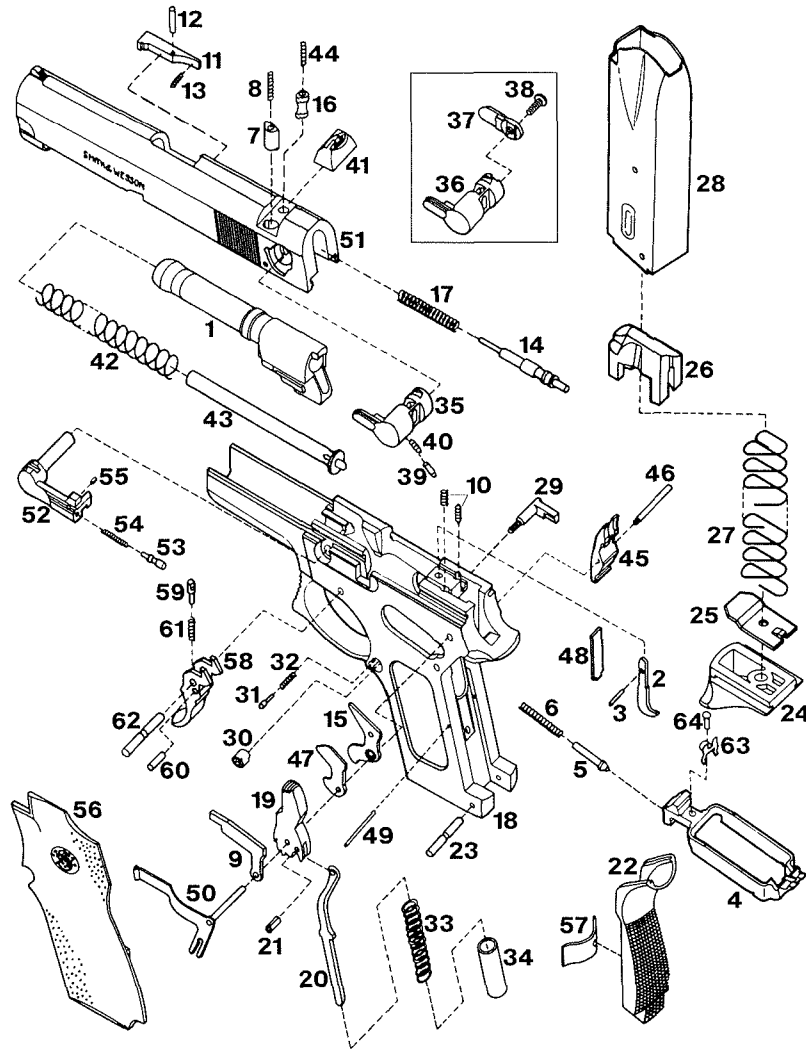


1	Barrel	32	Magazine Body	63	Sear Pin
2	Barrel Bushing	33	Magazine Catch	64	Sear Release Lever
3	Disconnecter	34	Magazine Catch Nut	65	Sear Spring
4	Disconnecter Pin	35	Magazine Catch Plunger	66	Sear Spring Retaining Pin
5	Drawbar	36	Magazine Catch Plunger Spring	67	Sideplate
6	Drawbar Plunger	37	Mainspring	68	Slide, Adjustable Sight
7	Drawbar Plunger Spring	38	Mainspring Plunger	69	Slide, Fixed Sight
8	Ejector Depressor Plunger	39	Manual Safety	70	Slide Stop
9	Ejector Depressor Plunger Spring	40	Ambidextrous Manual Safety	71	Slide Stop Plunger
10	Ejector Magazine Depressor	41	Manual Safety Right Side Lever	72	Slide Stop Plunger Spring
11	Ejector Springs	42	Manual Safety Plunger	73	Slide Stop Spiral Pin
12	Extractor	43	Manual Safety Plunger Spring	74	Left Grip
13	Extractor Pin	44	Manual Safety Screw	75	Stock Screws
14	Extractor Spring	45	Rear Sight Body	76	Trigger
15	Firing Pin	46	Rear Sight Elevation Screw	77	Trigger Plunger
16	Firing Pin Safety-Lever	47	Rear Sight Plunger	78	Trigger Plunger Pin
17	Firing Pin Safety-Lever Plunger	48	Rear Sight Plunger Spring	79	Trigger Plunger Spring
18	Firing Pin Safety-Lever Spring	49	Rear Sight Slide	80	Trigger Pin
19	Firing Pin Spring	50	Rear Sight Windage Nut	81	Trigger Play Spring
20	Frame	51	Rear Sight Windage Screw	82	Trigger Play Spring Rivet
21	Frame Stud	52	Rear Sight Base		
22	Slide Stop Button	53	Rear Sight Base Screw	Parts Not Shown	
23	Hammer	54	Rear Sight Body, Fixed Sight	Hammer Pin	
24	Stirrup	55	Rear Sight Body Plungers	Recoil Spring Guide	
25	Stirrup Pin	56	Rear Sight Body Plunger Springs	Recoil Spring Guide Bushing	
26	Frame Insert	57	Rear Sight Elevation Plungers	Recoil Spring Guide Plunger	
27	Frame Insert Pin	58	Rear Sight Elevation Spring	Recoil Spring Guide Plunger Spring	
28	Magazine Base Plate	59	Rear Sight Set Screw, Fixed Sight	Right Grip	
29	Magazine Base Plate Catch	60	Recoil Spring	Slide Stop Pin	
30	Magazine Follower	61	Recoil Spring Guide Assembly		
31	Magazine Spring	62	Sear		

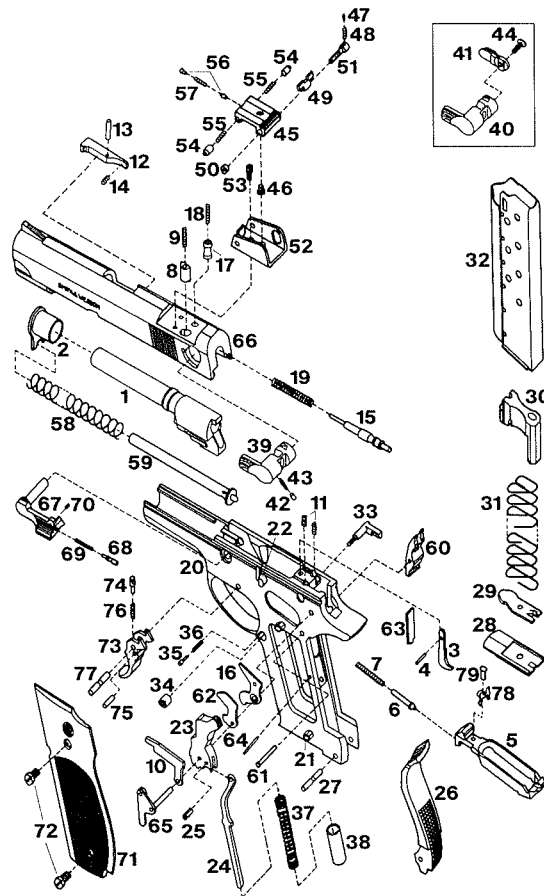


1	Barrel	31	Magazine Spring	61	Recoil Spring Guide Assembly
2	Barrel Bushing	32	Magazine Body	62	Sear
3	Disconnecter	33	Magazine Catch	63	Sear Pin
4	Disconnecter Pin	34	Magazine Catch Nut	64	Sear Release Lever
5	Drawbar	35	Magazine Catch Plunger	65	Sear Spring
6	Drawbar Plunger	36	Magazine Catch Plunger Spring	66	Sear Spring Retaining Pin
7	Drawbar Plunger Spring	37	Mainspring	67	Sideplate
8	Ejector Depressor Plunger	38	Mainspring Plunger	68	Slide, Adjustable Sight
9	Ejector Depressor Plunger Spring	39	Manual Safety	69	Slide, Fixed Sight
10	Ejector Magazine Depressor	40	Ambidextrous Manual Safety	70	Slide Stop
11	Ejector Springs	41	Manual Safety Right Side Lever	71	Slide Stop Plunger
12	Extractor	42	Manual Safety Plunger	72	Slide Stop Plunger Spring
13	Extractor Pin	43	Manual Safety Plunger Spring	73	Slide Stop Spiral Pin
14	Extractor Spring	44	Manual Safety Screw	74	Left Grip
15	Firing Pin	45	Rear Sight Body	75	Grip Screws
16	Firing Pin Safety-Lever	46	Rear Sight Elevation Screw	76	Trigger
17	Firing Pin Safety-Lever Plunger	47	Rear Sight Plunger	77	Trigger Plunger
18	Firing Pin Safety-Lever Spring	48	Rear Sight Plunger Spring	78	Trigger Plunger Pin
19	Firing Pin Spring	49	Rear Sight Slide	79	Trigger Plunger Spring
20	Frame	50	Rear Sight Windage Nut	80	Trigger Pin
21	Frame Stud	51	Rear Sight Windage Screw	81	Trigger Play Spring
22	Slide Stop Button	52	Rear Sight Base	82	Trigger Play Spring Rivet
23	Hammer	53	Rear Sight Base Screw		
24	Stirrup	54	Rear Sight Body, Fixed Sight	Parts Not Shown	
25	Stirrup pin	55	Rear Sight Body Plungers		Hammer Pin
26	Frame Insert	56	Rear Sight Body Plunger Springs		Recoil Spring Guide
27	Frame Insert Pin	57	Rear Sight Elevation Plungers		Recoil Spring Guide Bushing
28	Magazine Base Plate	58	Rear Sight Elevation Plunger Spring		Recoil Spring Guide Plunger
29	Magazine Base Plate Catch	59	Rear Sight Set Screw, Fixed Sight		Recoil Spring Guide Plunger Spring
30	Magazine Follower	60	Recoil Spring		Right Grip

Model 469 Auto

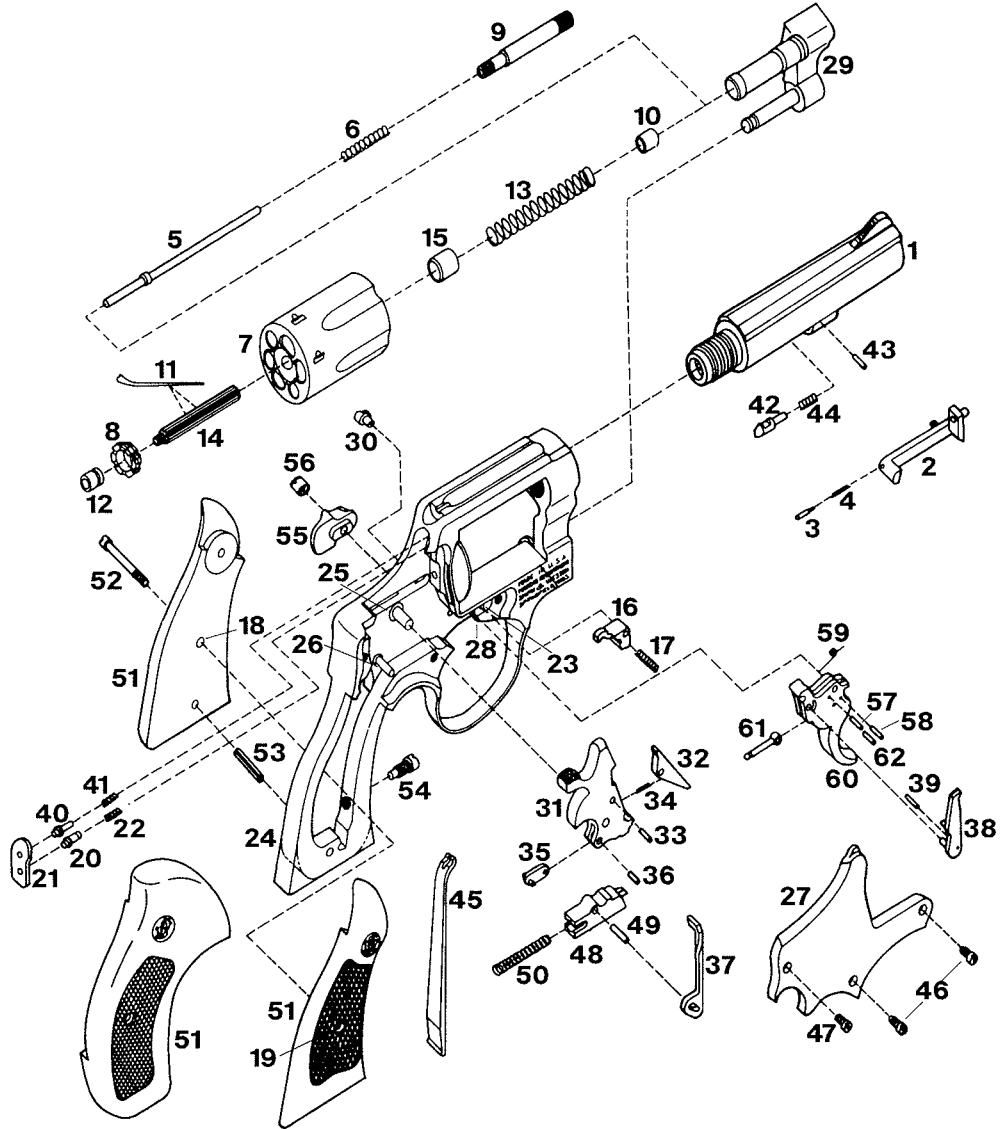


1	Barrel	25	Magazine Base Plate Catch	48	Sear Spring
2	Disconnecter	26	Magazine Follower	49	Sear Spring Retaining Pin
3	Disconnecter Pin	27	Magazine Spring	50	Sideplate
4	Drawbar	28	Magazine Body	51	Slide
5	Drawbar Plunger	29	Magazine Catch	52	Slide Stop
6	Drawbar Plunger Spring	30	Magazine Catch Nut	53	Slide Stop Plunger
7	Ejector Depressor Plunger	31	Magazine Catch Plunger	54	Slide Stop Plunger Spring
8	Ejector Depressor Plunger Spring	32	Magazine Catch Plunger Spring	55	Slide Stop Spiral Pin
9	Ejector Magazine Depressor	33	Mainspring	56	Left Grip
10	Ejector Springs	34	Mainspring Plunger	57	Grip Retaining Spring
11	Extractor	35	Manual Safety	58	Trigger
12	Extractor Pin	36	Ambidextrous Manual Safety	59	Trigger Plunger
13	Extractor Spring	37	Ambidextrous Manual Safety-Lever	60	Trigger Plunger Pin
14	Firing Pin	38	Ambidextrous Manual Safety-Lever Screw	61	Trigger Plunger Spring
15	Firing Pin Safety-Lever	39	Manual Safety Plunger	62	Trigger Pin
16	Firing Pin Safety Plunger	40	Manual Safety Plunger Spring	63	Trigger Play Spring
17	Firing Pin Spring	41	Rear Sight	64	Trigger Play Spring Rivet
18	Frame	42	Recoil Spring	Parts Not Shown	
19	Hammer	43	Recoil Spring Guide		Hammer Pin
20	Stirrup	44	Safety-Lever Plunger Spring		Recoil Spring Guide
21	Stirrup Pin	45	Sear		Recoil Spring Guide Bushing
22	Frame Insert	46	Sear Pin		Recoil Spring Guide Plunger
23	Frame Insert Pin	47	Sear Release Lever		Recoil Spring Guide Plunger Spring
24	Magazine Base Plate				

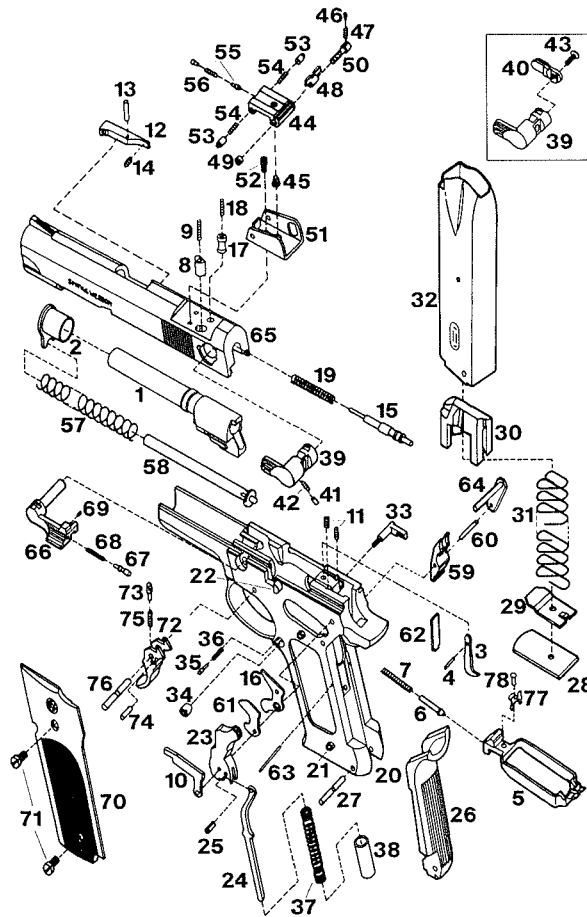


1	Barrel	30	Magazine Follower	59	Recoil Spring Guide Assembly
2	Barrel Bushing	31	Magazine Spring	60	Sear
3	Disconnecter	32	Magazine Body	61	Sear Pin
4	Disconnecter Pin	33	Magazine Catch	62	Sear Release Lever
5	Drawbar	34	Magazine Catch Nut	63	Sear Spring
6	Drawbar Plunger	35	Magazine Catch Plunger	64	Sear Spring Retaining Pin
7	Drawbar Plunger Spring	36	Magazine Catch Plunger Spring	65	Sideplate
8	Ejector Depressor Plunger	37	Mainspring	66	Slide
9	Ejector Depressor Plunger Spring	38	Mainspring Plunger	67	Slide Stop
10	Ejector Magazine Depressor	39	Manual Safety	68	Slide Stop Plunger
11	Ejector Springs	40	Manual Safety, Ambidextrous	69	Slide Stop Plunger Spring
12	Extractor	41	Manual Safety Right Side Lever	70	Slide Stop Spiral Pin
13	Extractor Pin	42	Manual Safety Plunger	71	Grip
14	Extractor Spring	43	Manual Safety Plunger Spring	72	Grip Screws
15	Firing Pin	44	Manual Safety Screw	73	Trigger
16	Firing Pin Safety-Lever	45	Rear Sight Body	74	Trigger Plunger
17	Firing Pin Safety-Lever Plunger	46	Rear Sight Elevation Screw	75	Trigger Plunger Pin
18	Firing Pin Safety-Lever Spring	47	Rear Sight Plunger	76	Trigger Plunger Spring
19	Firing Pin Spring	48	Rear Sight Plunger Spring	77	Trigger Pin
20	Frame	49	Rear Sight Slide	78	Trigger Play Spring
21	Frame Stud	50	Rear Sight Windage Nut	79	Trigger Play Spring Rivet
22	Slide Stop Button	51	Rear Sight Windage Screw		
23	Hammer	52	Rear Sight Base	Parts Not Shown	
24	Stirrup	53	Rear Sight Base Screw		Hammer Pin
25	Stirrup Pin	54	Rear Sight Body Plungers		Recoil Spring Guide
26	Frame Insert	55	Rear Sight Body Plunger Springs		Recoil Spring Guide Bushing
27	Frame Insert Pin	56	Rear Sight Elevation Plungers		Recoil Spring Guide Plunger
28	Magazine Base Plate	57	Rear Sight Elevation Spring		Recoil Spring Guide Plunger Spring
29	Magazine Base Plate Catch	58	Recoil Spring		Slide Stop Pin

Model 547 Revolver

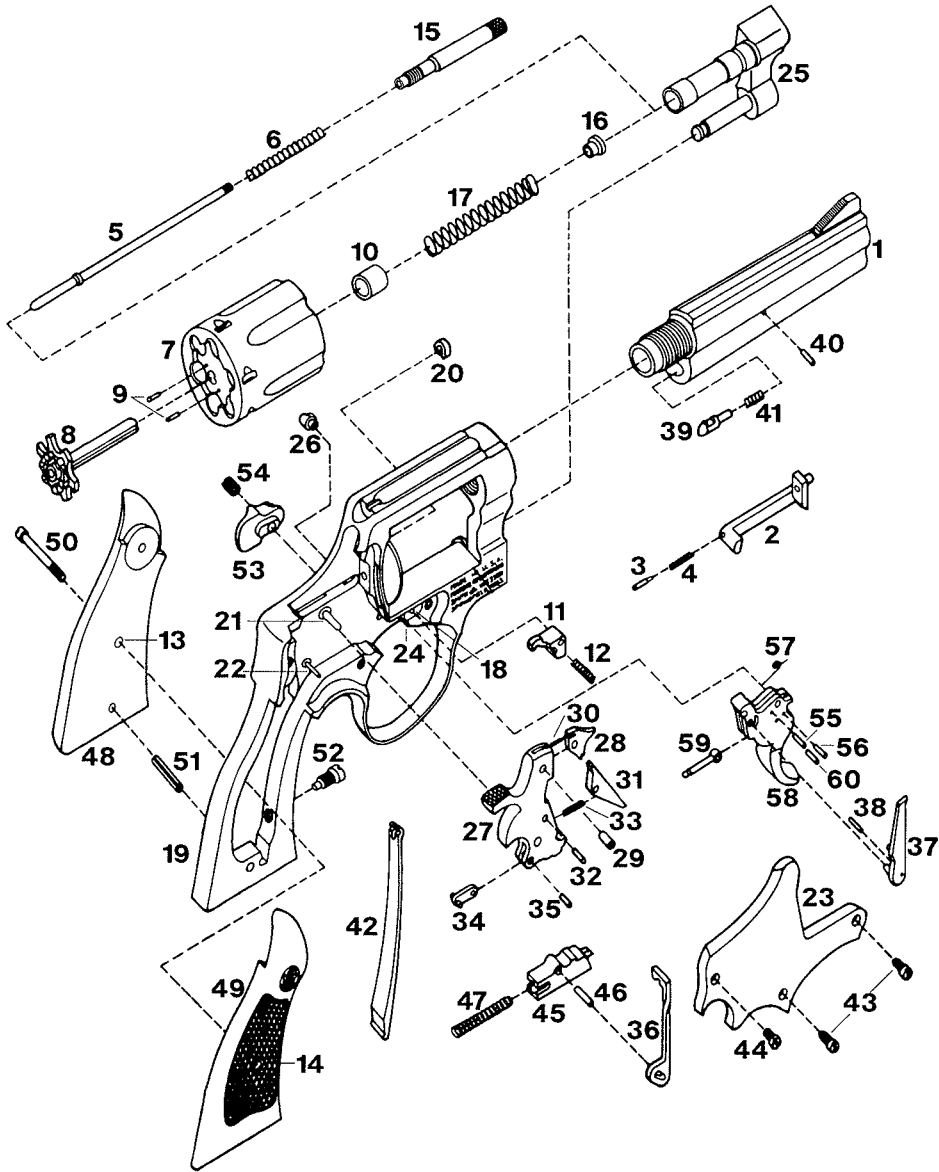


1	Barrel	22	Firing Pin Spring	43	Locking Bolt Pin
2	Bolt	23	Cylinder Stop Stud	44	Locking Bolt Spring
3	Bolt Plunger	24	Frame	45	Mainspring
4	Bolt Plunger Spring	25	Hammer Stud	46	Sideplate Screws, Crowned
5	Center Pin	26	Rebound Slide Stud	47	Sideplate Screw, Flat Head
6	Center Pin Spring	27	Sideplate	48	Rebound Slide
7	Cylinder	28	Trigger Stud	49	Rebound Slide Pin
8	Extractor Head	29	Yoke	50	Rebound Slide Spring
9	Extractor Rod	30	Frame Lug	51	Grips
10	Extractor Rod Collar	31	Hammer	52	Grip Screw
11	Extractor Segment	32	Sear	53	Grip Locator Pin
12	Extractor Shear Nut	33	Sear Pin	54	Strain Screw
13	Extractor Spring	34	Sear Spring	55	Thumb-Piece
14	Extractor Stem	35	Stirrup	56	Thumb-Piece Nut
15	Gas Ring	36	Stirrup Pin	57	Hand Spring Pin
16	Cylinder Stop	37	Hammer Block	58	Hand Spring Torsion Pin
17	Cylinder Stop Spring	38	Hammer	59	Hand Torsion Spring
18	Grip Escutcheon	39	Hand	60	Trigger
19	Grip Escutcheon Nut	40	Limit Pin	61	Trigger Lever
20	Firing Pin	41	Limit Pin Spring	62	Trigger Lever Pin
21	Firing Pin Retainer	42	Locking Bolt		



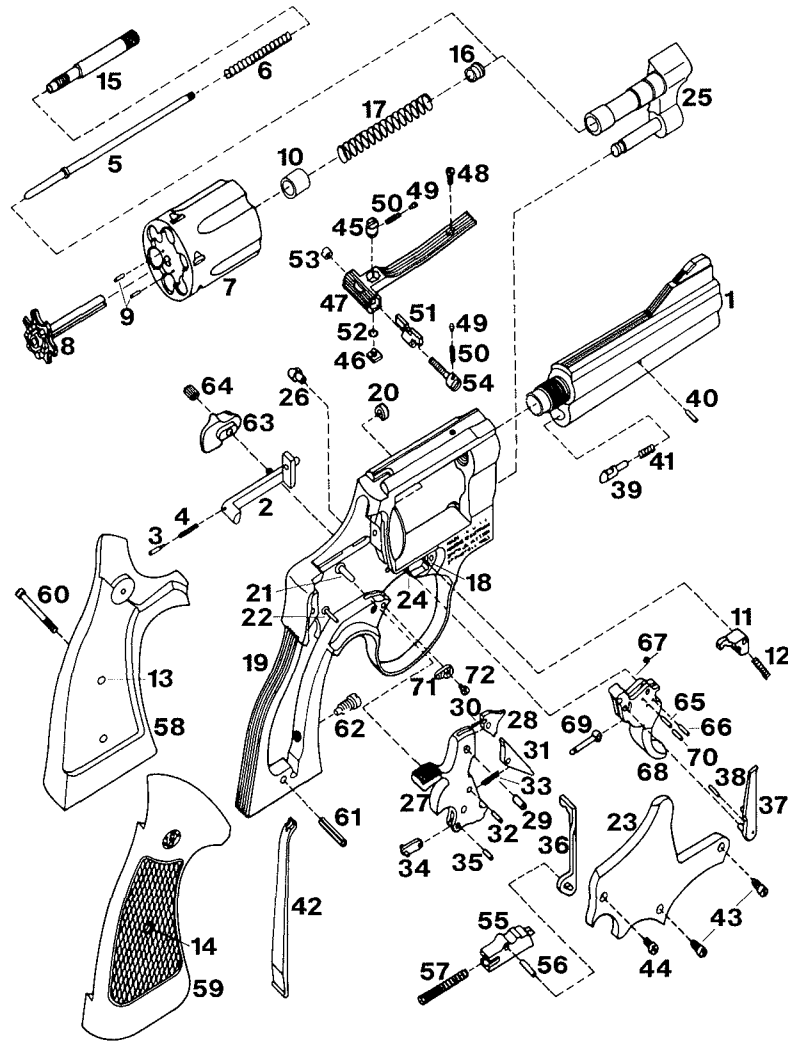
1	Barrel	30	Magazine Follower	59	Sear
2	Barrel Bushing	31	Magazine Spring	60	Sear Pin
3	Disconnecter	32	Magazine Body	61	Sear Release Lever
4	Disconnecter Pin	33	Magazine Catch	62	Sear Spring
5	Drawbar	34	Magazine Catch Nut	63	Sear Spring Retaining Pin
6	Drawbar Plunger	35	Magazine Catch Plunger	64	Slideplate
7	Drawbar Plunger Spring	36	Magazine Catch Plunger Spring	65	Slide, Adjustable Sight
8	Ejector Depressor Plunger	37	Mainspring	66	Slide Stop
9	Ejector Depressor Plunger Spring	38	Mainspring Plunger	67	Slide Stop Plunger
10	Ejector Magazine Depressor	39	Manual Safety	68	Slide Stop Plunger Spring
11	Ejector Springs	40	Manual Safety Right Side Lever	69	Slide Stop Spiral Pin
12	Extractor	41	Manual Safety Plunger	70	Left Grip
13	Extractor Pin	42	Manual Safety Plunger Spring	71	Grip Screws
14	Extractor Spring	43	Manual Safety Screw	72	Trigger
15	Firing Pin	44	Rear Sight Body	73	Trigger Plunger
16	Firing Pin Safety-Lever	45	Rear Sight Elevation Screw	74	Trigger Plunger Pin
17	Firing Pin Safety-Lever Plunger	46	Rear Sight Plunger	75	Trigger Plunger Spring
18	Firing Pin Safety-Lever Spring	47	Rear Sight Plunger Spring	76	Trigger Pin
19	Firing Pin Spring	48	Rear Sight Slide	77	Trigger Play Spring
20	Frame	49	Rear Sight Windage Nut	78	Trigger Play Spring Rivet
21	Frame Stud	50	Rear Sight Windage Screw		
22	Slide Stop Button	51	Rear Sight Base		Parts Not Shown
23	Hammer	52	Rear Sight Base Screw		Hammer Pin
24	Stirrup	53	Rear Sight Body Plungers		Recoil Spring Guide
25	Stirrup Pin	54	Rear Sight Body Plunger Springs		Recoil Spring Guide Bushing
26	Frame Insert	55	Rear Sight Elevation Plungers		Recoil Spring Guide Plunger
27	Frame Insert Pin	56	Rear Sight Elevation Spring		Recoil Spring Guide Plunger Spring
28	Magazine Base Plate	57	Recoil Spring		
29	Magazine Base Plate Catch	58	Recoil Spring Guide Assembly		

Model 581 Revolver



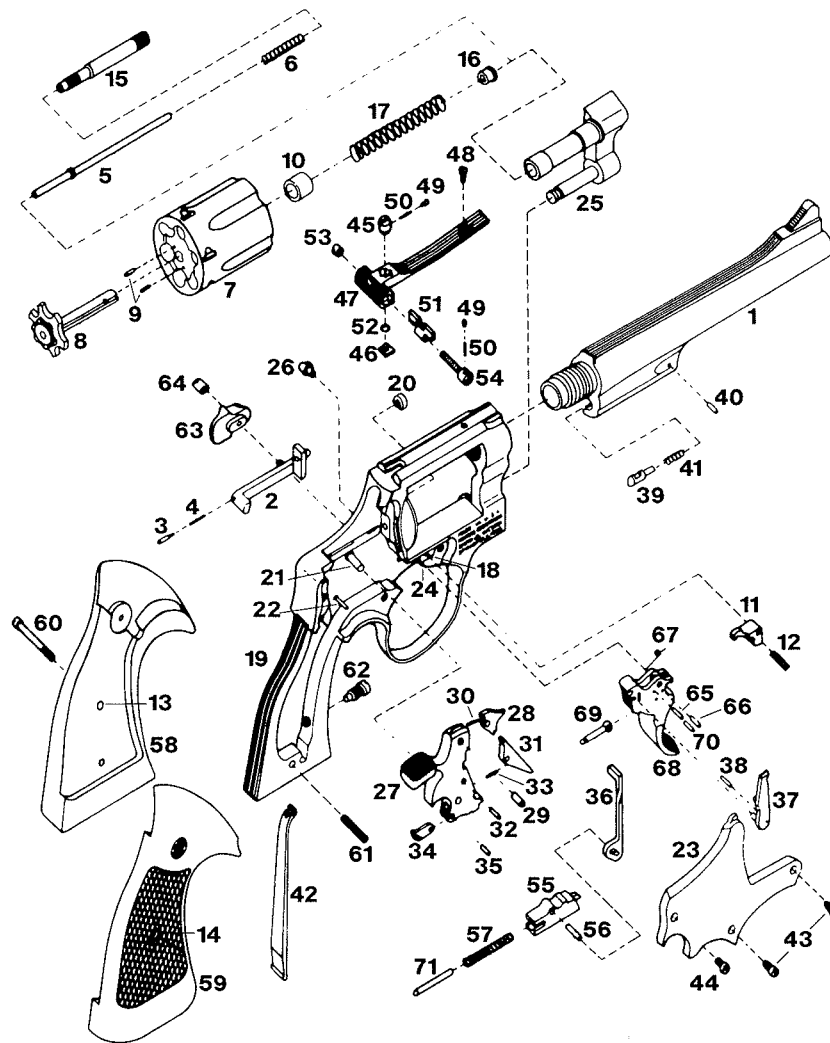
1	Barrel	21	Hammer Stud	41	Locking Bolt Spring
2	Bolt	22	Rebound Slide Stud	42	Mainspring
3	Bolt Plunger	23	Sideplate	43	Sideplate Screws, Crowned
4	Bolt Plunger Spring	24	Trigger Stud	44	Sideplate Screw, Flat Head
5	Center Pin	25	Yoke	45	Rebound Slide
6	Center Pin Spring	26	Frame Lug	46	Rebound Slide Pin
7	Cylinder	27	Hammer	47	Rebound Slide Spring
8	Extractor	28	Hammer Nose	48	Left Grip
9	Extractor Pins	29	Hammer Nose Rivet	49	Right Grip
10	Gas Ring	30	Hammer Nose Spring	50	Grip Screw
11	Cylinder Stop	31	Sear	51	Grip Locator Pin
12	Cylinder Stop Spring	32	Sear Pin	52	Strain Screw
13	Grip Escutcheon	33	Sear Spring	53	Thumb-Piece
14	Grip Escutcheon Nut	34	Stirrup	54	Thumb-Piece Nut
15	Extractor Rod	35	Stirrup Pin	55	Hand Spring Pin
16	Extractor Rod Collar	36	Hammer Block	56	Hand Spring Torsion Pin
17	Extractor Spring	37	Hand	57	Hand Torsion Spring
18	Cylinder Stop Stud	38	Hand Pin	58	Trigger
19	Frame	39	Locking Bolt	59	Trigger Lever
20	Hammer Nose Bushing	40	Locking Bolt Pin	60	Trigger Lever Pin

Model 586 Revolver



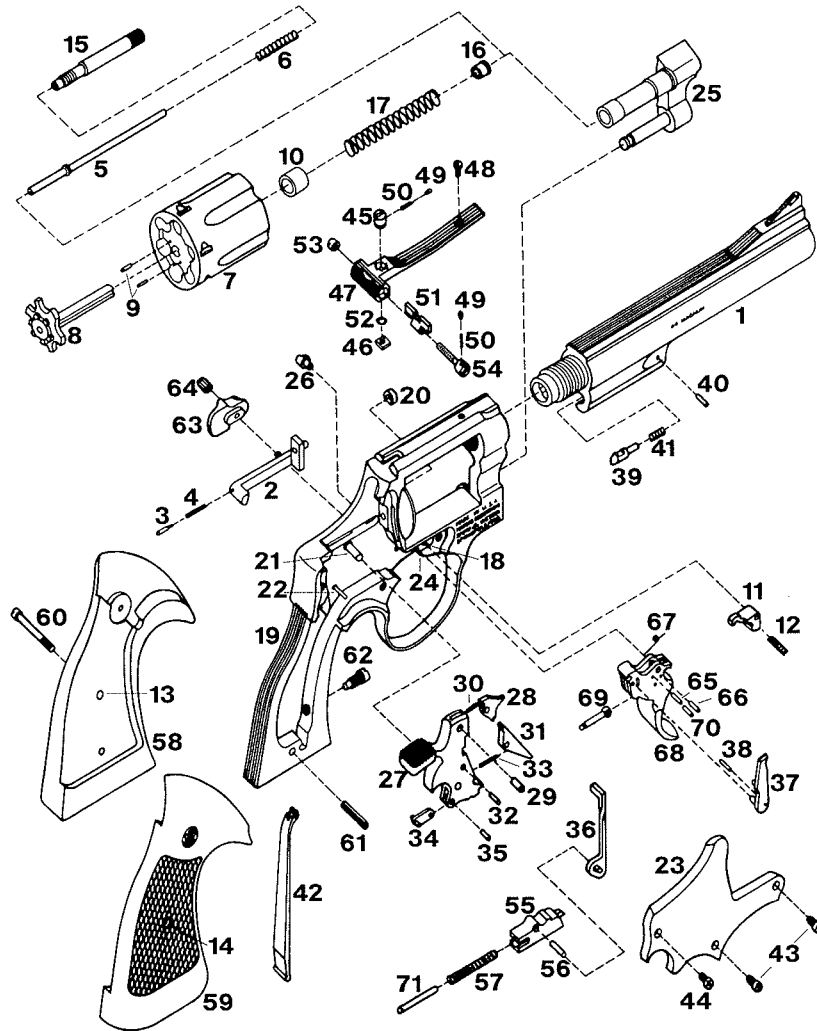
1	Barrel	25	Yoke	49	Rear Sight Plungers
2	Bolt	26	Frame Lug	50	Rear Sight Plunger Springs
3	Bolt Plunger	27	Hammer	51	Rear Sight Slide
4	Bolt Plunger Spring	28	Hammer Nose	52	Rear Sight Spring Clip
5	Center Pin	29	Hammer Nose Rivet	53	Rear Sight Windage Nut
6	Center Pin Spring	30	Hammer Nose Spring	54	Rear Sight Windage Screw
7	Cylinder	31	Sear	55	Rebound Slide
8	Extractor	32	Sear Pin	56	Rebound Slide Pin
9	Extractor Pins	33	Sear Spring	57	Rebound Slide Spring
10	Gas Ring	34	Stirrup	58	Left Grip
11	Cylinder Stop	35	Stirrup Pin	59	Right Grip
12	Cylinder Stop Spring	36	Hammer Block	60	Grip Screw
13	Grip Escutcheon	37	Hand	61	Grip Locator Pin
14	Grip Escutcheon Nut	38	Hand Pin	62	Strain Screw
15	Extractor Rod	39	Locking Bolt	63	Thumb-Piece
16	Extractor Rod Collar	40	Locking Bolt Pin	64	Thumb-Piece Nut
17	Extractor Spring	41	Locking Bolt Spring	65	Hand Spring Pin
18	Cylinder Stop Stud	42	Mainspring	66	Hand Spring Torsion Pin
19	Frame	43	Sideplate Screws, Crowned	67	Hand Torsion Spring
20	Hammer Nose Bushing	44	Sideplate Screw, Flat Head	68	Trigger
21	Hammer Stud	45	Rear Sight Elevation Nut	69	Trigger Lever
22	Rebound Slide Stud	46	Rear Sight Elevation Stud	70	Trigger Lever Pin
23	Sideplate	47	Rear Sight Leaf	71	Trigger Stop
24	Trigger Stud	48	Rear Sight Leaf Screw	72	Trigger Stop Screw

Model 624 Revolver



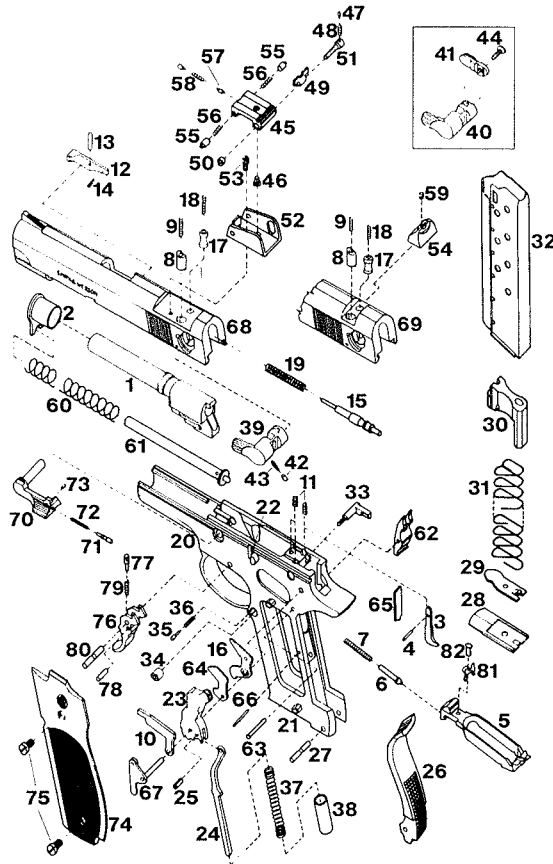
1	Barrel	25	Yoke	49	Rear Sight Plungers
2	Bolt	26	Frame Lug	50	Rear Sight Plunger Springs
3	Bolt Plunger	27	Hammer	51	Rear Sight Slide
4	Bolt Plunger Spring	28	Hammer Nose	52	Rear Sight Spring Clip
5	Center Pin	29	Hammer Nose Rivet	53	Rear Sight Windage Nut
6	Center Pin Spring	30	Hammer Nose Spring	54	Rear Sight Windage Screw
7	Cylinder	31	Sear	55	Rebound Slide
8	Extractor	32	Sear Pin	56	Rebound Slide Pin
9	Extractor Pins	33	Sear Spring	57	Rebound Slide Spring
10	Gas Ring	34	Stirrup	58	Left Grip
11	Cylinder Stop	35	Stirrup Pin	59	Right Grip
12	Cylinder Stop Spring	36	Hammer Block	60	Grip Screw
13	Grip Escutcheon	37	Hand	61	Grip Locator Pin
14	Grip Escutcheon Nut	38	Hand Pin	62	Strain Screw
15	Extractor Rod	39	Locking Bolt	63	Thumb-Piece
16	Extractor Rod Collar	40	Locking Bolt Pin	64	Thumb-Piece Nut
17	Extractor Spring	41	Locking Bolt Spring	65	Hand Spring Pin
18	Cylinder Stop Stud	42	Mainspring	66	Hand Spring Torsion Pin
19	Frame	43	Sideplate Screws, Crowned	67	Hand Torsion Spring
20	Hammer Nose Bushing	44	Sideplate Screw, Flat Head	68	Trigger
21	Hammer Stud	45	Rear Sight Elevation Nut	69	Trigger Lever
22	Rebound Slide Stud	46	Rear Sight Elevation Stud	70	Trigger Level Pin
23	Sideplate	47	Rear Sight Leaf	71	Trigger Stop Rod
24	Trigger Stud	48	Rear Sight Leaf Screw		

Model 629-1 Revolver

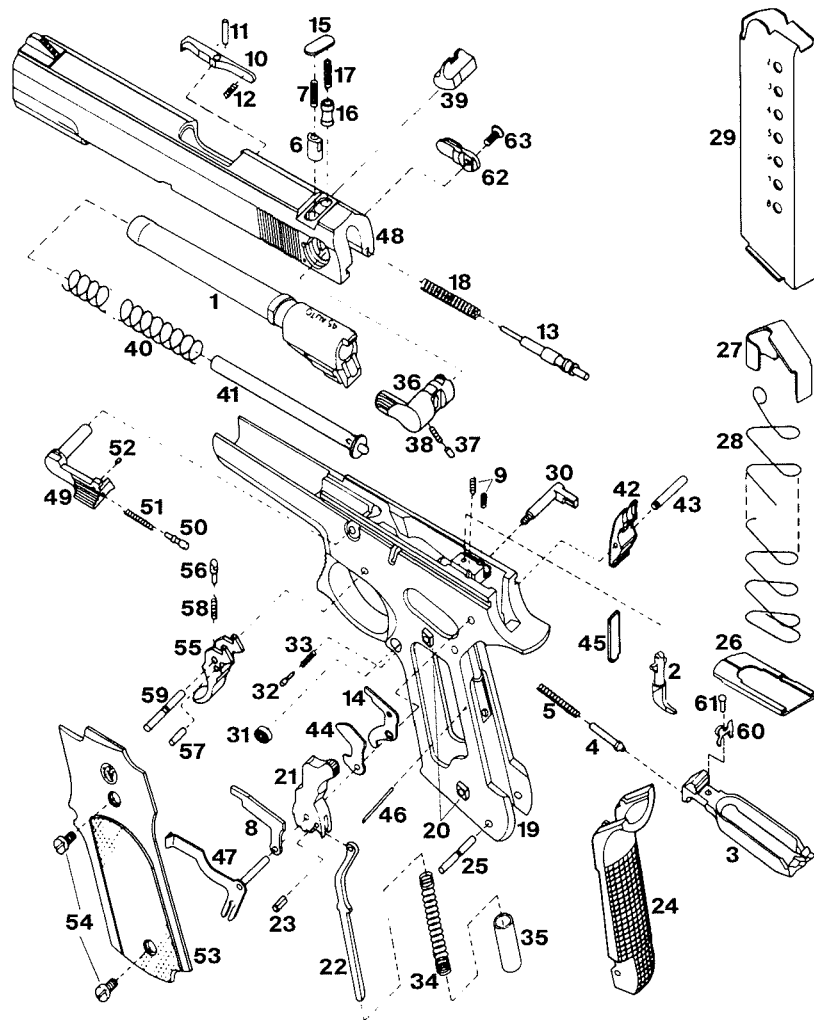


1	Barrel	26	Frame Lug	51	Rear Sight Slide
2	Bolt	27	Hammer	52	Rear Sight Spring Clip
3	Bolt Plunger Pin	28	Hammer Nose	53	Rear Sight Windage Nut
4	Bolt Plunger Spring	29	Hammer Nose Rivet	54	Rear Sight Windage Screw
5	Center Pin	30	Hammer Nose Spring	55	Rebound Slide
6	Center Pin Spring	31	Sear	56	Rebound Slide Pin
7	Cylinder	32	Sear Pin	57	Rebound Slide Spring
8	Extractor	33	Sear Spring	58	Left Grip
9	Extractor Pins	34	Stirrup	59	Right Grip
10	Gas Ring	35	Stirrup Pin	60	Grip Screw
11	Cylinder Stop	36	Hammer Block	61	Grip Locator Pin
12	Cylinder Stop Spring	37	Hand	62	Strain Screw
13	Grip Escutcheon	38	Hand Pin	63	Thumb-Piece
14	Grip Escutcheon Nut	39	Locking Bolt	64	Thumb-Piece Nut
15	Extractor Rod	40	Locking Bolt Pin	65	Hand Spring Pin
16	Extractor Rod Collar	41	Locking Bolt Spring	66	Hand Spring Torsion Pin
17	Extractor Spring	42	Mainspring	67	Hand Torsion Spring
18	Cylinder Stop Stud	43	Sideplate Screws, Crowned	68	Trigger
19	Frame	44	Sideplate Screw, Flat Head	69	Trigger Lever
20	Hammer Nose Bushing	45	Rear Sight Elevation Nut	70	Trigger Lever Pin
21	Hammer Stud	46	Rear Sight Elevation Stud	71	Trigger Stop Rod
22	Rebound Slide Stud	47	Rear Sight Leaf		
23	Sideplate	48	Rear Sight Leaf Screw		
24	Trigger Stud	49	Rear Sight Plungers		
25	Yoke	50	Rear Sight Plunger Springs		
				Parts Not Shown	
				Barrel Pin	

Model 639 Auto

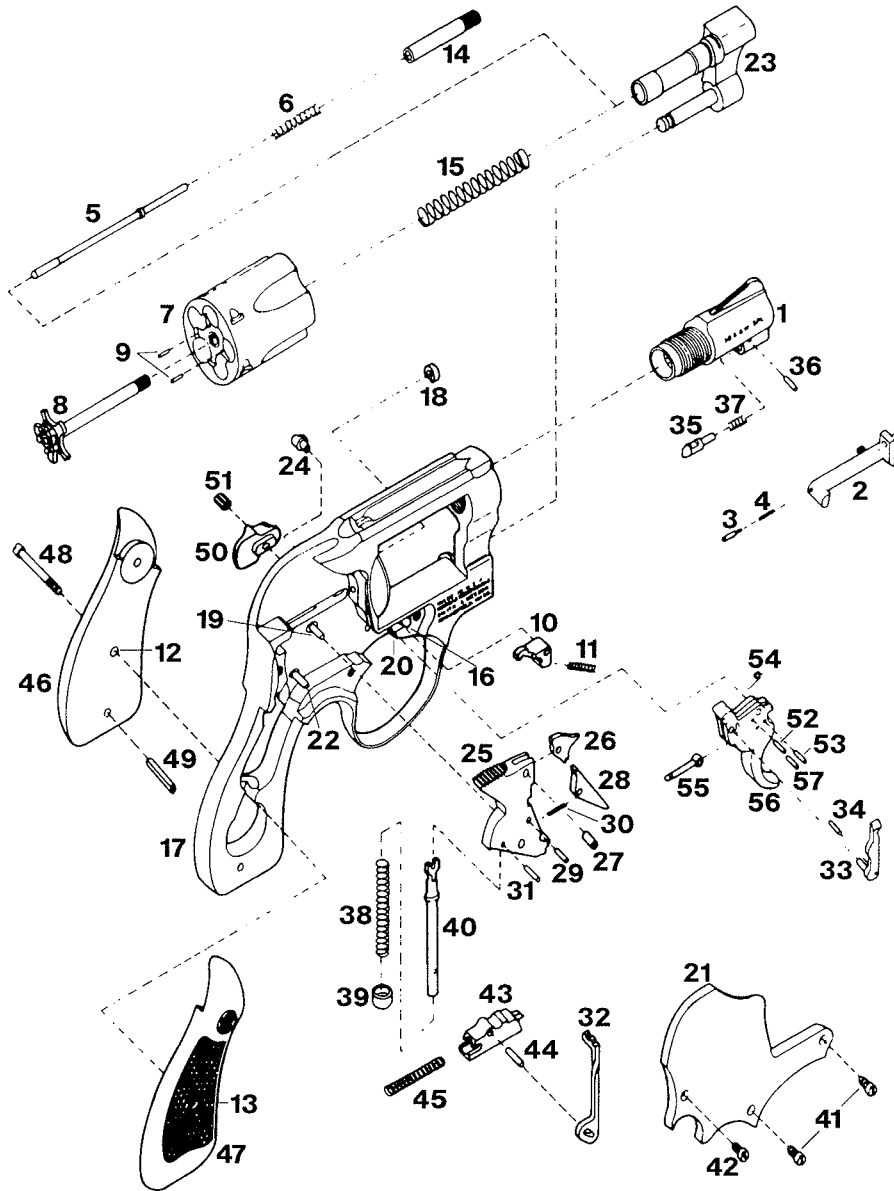


- | | | | | | |
|----|----------------------------------|----|-----------------------------------|------------------------------------|---------------------------|
| 1 | Barrel | 32 | Magazine Body | 63 | Sear Pin |
| 2 | Barrel Bushing | 33 | Magazine Catch | 64 | Sear Release Lever |
| 3 | Disconnecter | 34 | Magazine Catch Nut | 65 | Sear Spring |
| 4 | Disconnecter Pin | 35 | Magazine Catch Plunger | 66 | Sear Spring Retaining Pin |
| 5 | Drawbar | 36 | Magazine Catch Plunger Spring | 67 | Sideplate |
| 6 | Drawbar Plunger | 37 | Mainspring | 68 | Slide, Adjustable Sight |
| 7 | Drawbar Plunger Spring | 38 | Mainspring Plunger | 69 | Slide, Fixed Sight |
| 8 | Ejector Depressor Plunger | 39 | Manual Safety | 70 | Slide Stop |
| 9 | Ejector Depressor Plunger Spring | 40 | Manual Safety, Ambidextrous | 71 | Slide Stop Plunger |
| 10 | Ejector Magazine Depressor | 41 | Manual Safety Right Side Lever | 72 | Slide Stop Plunger Spring |
| 11 | Ejector Springs | 42 | Manual Safety Plunger | 73 | Slide Stop Spiral Pin |
| 12 | Extractor | 43 | Manual Safety Plunger Spring | 74 | Left Grip |
| 13 | Extractor Pin | 44 | Manual Safety Screw | 75 | Grip Screws |
| 14 | Extractor Spring | 45 | Rear Sight Body | 76 | Trigger |
| 15 | Firing Pin | 46 | Rear Sight Elevation Screw | 77 | Trigger Plunger |
| 16 | Firing Pin Safety-Lever | 47 | Rear Sight Plunger | 78 | Trigger Plunger Pin |
| 17 | Firing Pin Safety-Lever Plunger | 48 | Rear Sight Plunger Spring | 79 | Trigger Plunger Spring |
| 18 | Firing Pin Safety-Lever Spring | 49 | Rear Sight Slide | 80 | Trigger Pin |
| 19 | Firing Pin Spring | 50 | Rear Sight Windage Nut | 81 | Trigger Play Spring |
| 20 | Frame | 51 | Rear Sight Windage Screw | 82 | Trigger Play Spring Rivet |
| 21 | Frame Stud | 52 | Rear Sight Base | | |
| 22 | Slide Stop Button | 53 | Rear Sight Base Screw | Parts Not Shown | |
| 23 | Hammer | 54 | Rear Sight Body, Fixed Sight | Hammer Pin | |
| 24 | Stirrup | 55 | Rear Sight Body Plungers | Recoil Spring Guide | |
| 25 | Stirrup Pin | 56 | Rear Sight Body Plunger Springs | Recoil Spring Guide Bushing | |
| 26 | Frame Insert | 57 | Rear Sight Elevation Plungers | Recoil Spring Guide Plunger | |
| 27 | Frame Insert Pin | 58 | Rear Sight Elevation Spring | Recoil Spring Guide Plunger Spring | |
| 28 | Magazine Base Plate | 59 | Rear Sight Set Screw, Fixed Sight | Right Grip | |
| 29 | Magazine Base Plate Catch | 60 | Recoil Spring | Slide Stop Bar | |
| 30 | Magazine Follower | 61 | Recoil Spring Guide Assembly | | |
| 31 | Magazine Spring | 62 | Sear | | |



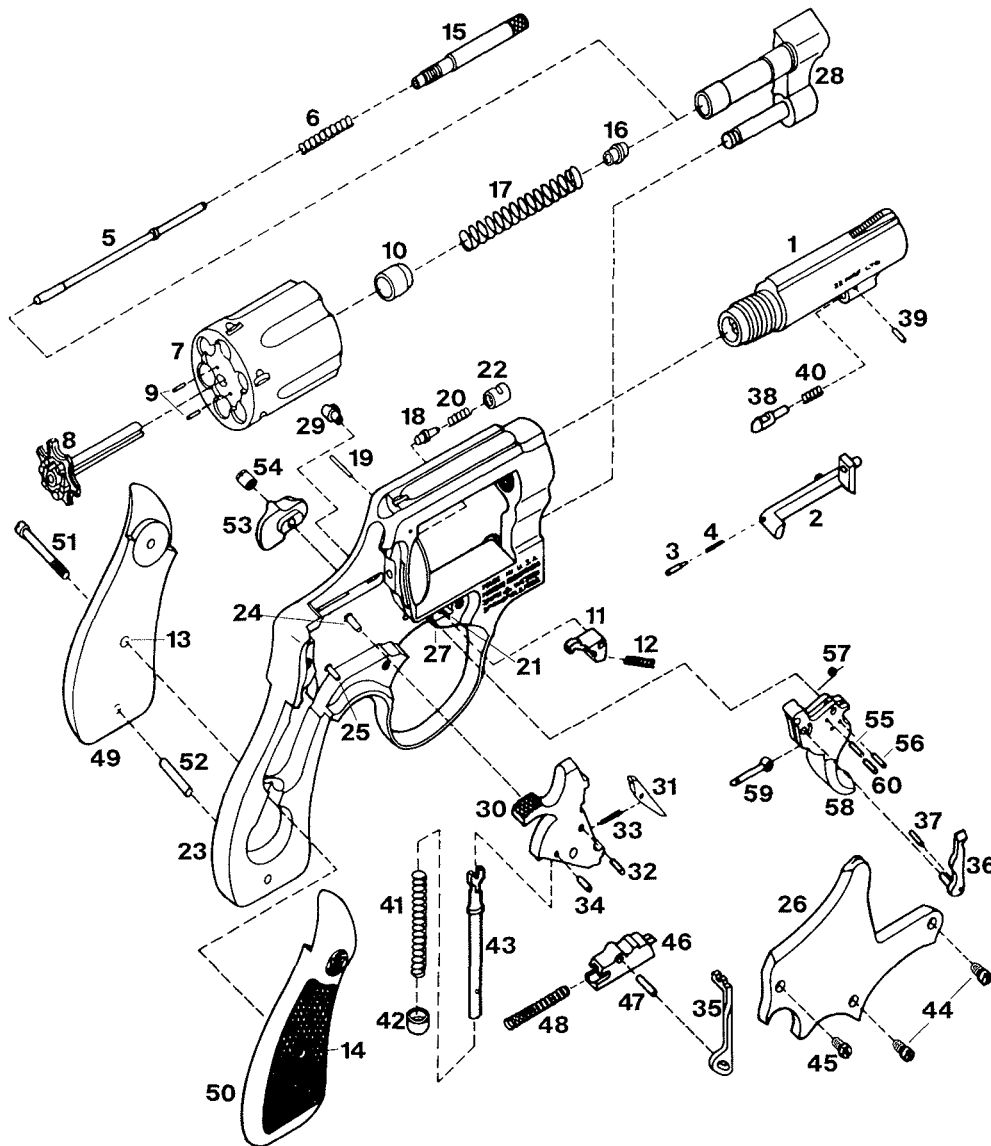
1	Barrel	25	Frame Insert Pin	49	Slide Stop
2	Disconnecter	26	Magazine Base Plate	50	Slide Stop Plunger
3	Drawbar	27	Magazine Follower	51	Slide Stop Plunger Spring
4	Drawbar Plunger	28	Magazine Spring	52	Slide Stop Spiral Pin
5	Drawbar Plunger Spring	29	Magazine Tube	53	Left Grip
6	Ejector Depressor Plunger	30	Magazine Catch	54	Grip Screws
7	Ejector Depressor Plunger Spring	31	Magazine Catch Nut	55	Trigger
8	Ejector Magazine Depressor	32	Magazine Catch Plunger	56	Trigger Plunger
9	Ejector Springs	33	Magazine Catch Plunger Spring	57	Trigger Plunger Pin
10	Extractor	34	Mainspring	58	Trigger Plunger Spring
11	Extractor Pin	35	Mainspring Plunger	59	Trigger Pin
12	Extractor Spring	36	Manual Safety	60	Trigger Play Spring
13	Firing Pin	37	Manual Safety Plunger	61	Trigger Play Spring Rivet
14	Firing Pin Safety-Lever	38	Manual Safety Plunger Spring	62	Ambidextrous Manual Safety Right Side Lever
15	Safety-Lever Spring Retainer	39	Rear Sight Body, Fixed	63	Ambidextrous Manual Safety Screw
16	Firing Pin Safety-Lever Plunger	40	Recoil Spring		
17	Firing Pin Safety-Lever Plunger Spring	41	Recoil Spring Guide Assembly		
18	Firing Pin Spring	42	Sear	Parts Not Shown	
19	Frame	43	Sear Pin		Hammer Pin
20	Frame Studs	44	Sear Release Lever		Recoil Spring Guide
21	Hammer	45	Sear Spring		Recoil Spring Guide Bushing
22	Stirrup	46	Sear Spring Retaining Pin		Recoil Spring Guide Plunger
23	Stirrup Pin	47	Sideplate		Recoil Spring Guide Plunger Spring
24	Frame Insert	48	Slide		Right Grip

Model 649 Revolver



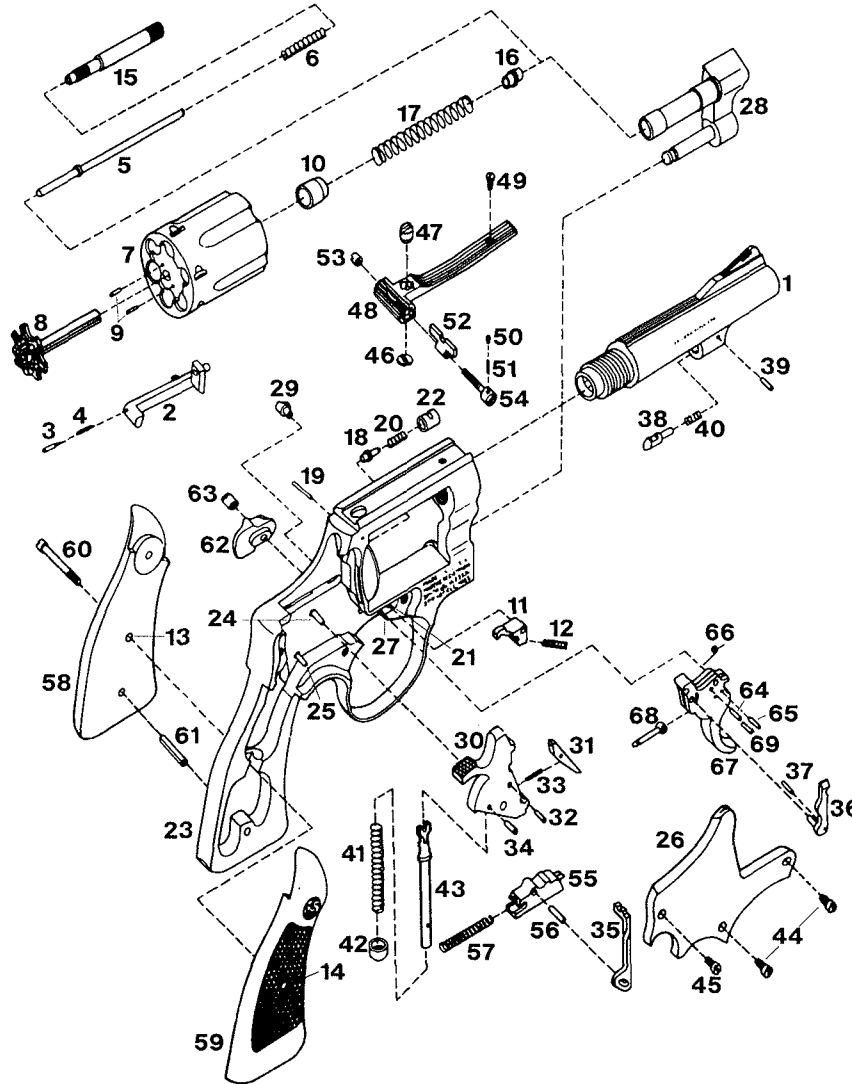
1	Barrel	20	Trigger Stud	39	Mainspring Swivel
2	Bolt	21	Sideplate	40	Mainspring Stirrup
3	Bolt Plunger	22	Rebound Slide Stud	41	Sideplate Screws, Crowned
4	Bolt Plunger Spring	23	Yoke	42	Sideplate Screw, Flat
5	Center Pin	24	Frame Lug	43	Rebound Slide
6	Center Pin Spring	25	Hammer	44	Rebound Slide Pin
7	Cylinder	26	Hammer Nose	45	Rebound Slide Spring
8	Extractor	27	Hammer Nose Rivet	46	Left Grip
9	Extractor Pins	28	Sear	47	Right Grip
10	Cylinder Stop	29	Sear Pin	48	Grip Pin
11	Cylinder Stop Spring	30	Sear Spring	49	Grip Locator Pin
12	Grip Escutcheon	31	Stirrup Pin	50	Thumb-Piece
13	Grip Escutcheon Nut	32	Hammer Block	51	Thumb-Piece Nut
14	Extractor Rod	33	Hand	52	Hand Torsion Spring Pin
15	Extractor Spring	34	Hand Pin	53	Hand Spring Pin
16	Cylinder Stop Stud	35	Locking Bolt	54	Hand Spring
17	Frame	36	Locking Bolt Pin	55	Trigger Lever
18	Hammer Nose Bushing	37	Locking Bolt Spring	56	Trigger
19	Hammer Stud	38	Mainspring	57	Trigger Lever Pin

Model 650 Revolver



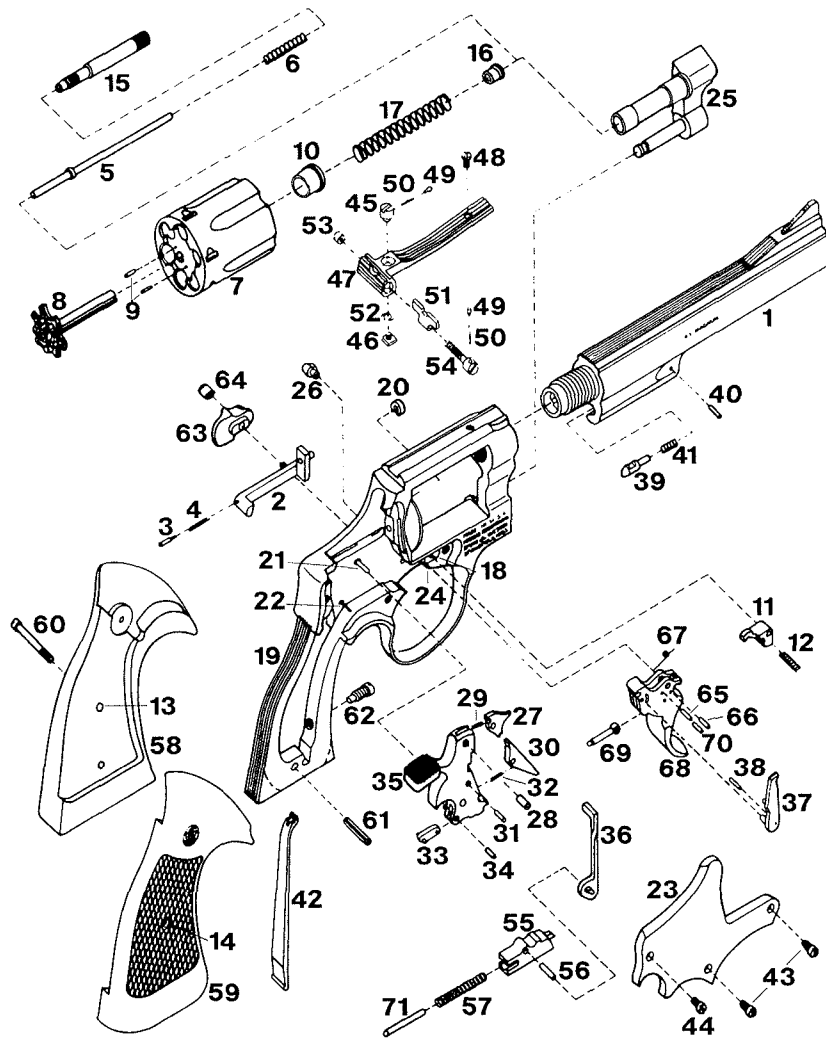
1	Barrel	21	Cylinder Stop Stud	41	Mainspring
2	Bolt	22	Firing Pin Bushing	42	Mainspring Rod Swivel
3	Bolt Plunger	23	Frame	43	Mainspring Stirrup
4	Bolt Plunger Spring	24	Hammer Stud	44	Sideplate Screws, Crowned
5	Center Pin	25	Rebound Slide Stud	45	Sideplate Screw, Flat Head
6	Center Pin Spring	26	Sideplate	46	Rebound Slide
7	Cylinder	27	Trigger Stud	47	Rebound Slide Pin
8	Extractor	28	Yoke	48	Rebound Slide Spring
9	Extractor Pins	29	Frame Lug	49	Left Grip
10	Gas Ring	30	Hammer	50	Right Grip
11	Cylinder Stop	31	Sear	51	Stock Screw
12	Cylinder Stop Spring	32	Sear Pin	52	Stock Pin
13	Escutcheon	33	Sear Spring	53	Thumb-Piece
14	Escutcheon Nut	34	Stirrup Pin	54	Thumb-Piece Nut
15	Extractor Rod	35	Hammer Block	55	Hand Spring Pin
16	Extractor Rod Collar	36	Hand	56	Hand Spring Torsion Pin
17	Extractor Spring	37	Hand Pin	57	Hand Torsion Spring
18	Firing Pin	38	Locking Bolt	58	Trigger
19	Firing Pin Bushing Pin	39	Locking Bolt Pin	59	Trigger Lever
20	Firing Pin Spring	40	Locking Bolt Spring	60	Trigger Lever Pin

Model 651 Revolver



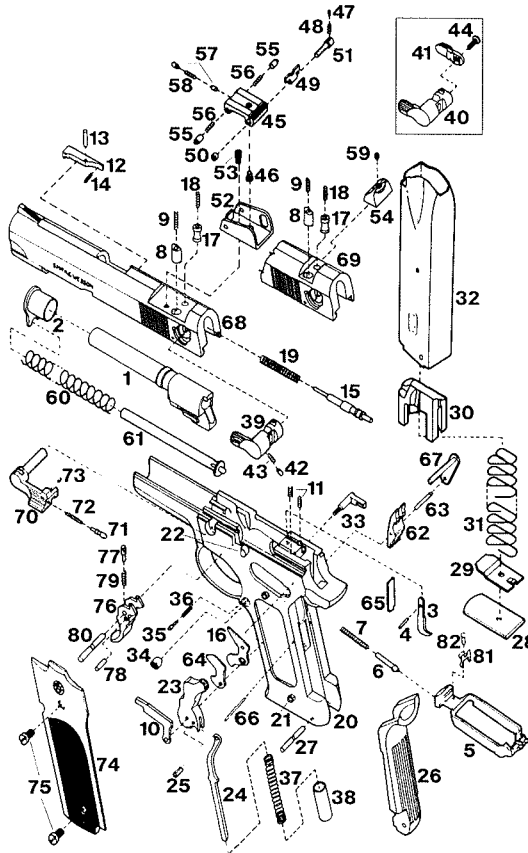
1	Barrel	24	Hammer Stud	47	Rear Sight Elevation Screw
2	Bolt	25	Rebound Slide Stud	48	Rear Sight Leaf
3	Bolt Plunger	26	Sideplate	49	Rear Sight Leaf Screw
4	Bolt Plunger Spring	27	Trigger Stud	50	Rear Sight Plunger
5	Center Pin	28	Yoke	51	Rear Sight Plunger Spring
6	Center Pin Spring	29	Frame Lug	52	Rear Sight Slide
7	Cylinder	30	Hammer	53	Rear Sight Windage Nut
8	Extractor	31	Sear	54	Rear Sight Windage Screw
9	Extractor Pins	32	Sear Pin	55	Rebound Slide
10	Gas Ring	33	Sear Spring	56	Rebound Slide Pin
11	Cylinder Stop	34	Stirrup Pin	57	Rebound Slide Spring
12	Cylinder Stop Spring	35	Hammer Block	58	Left Grip
13	Grip Escutcheon	36	Hand	59	Right Grip
14	Grip Escutcheon Nut	37	Hand Pin	60	Grip Screw
15	Extractor Rod	38	Locking Bolt	61	Grip Locator Pin
16	Extractor Rod Collar	39	Locking Bolt Pin	62	Thumb-Piece
17	Extractor Spring	40	Locking Bolt Spring	63	Thumb-Piece Nut
18	Firing Pin	41	Mainspring	64	Hand Spring Pin
19	Firing Pin Bushing Pin	42	Mainspring Rod Swivel	65	Hand Spring Torsion Pin
20	Firing Pin Spring	43	Mainspring Stirrup	66	Hand Torsion Spring
21	Cylinder Stop Stud	44	Sideplate Screws, Crowned	67	Trigger
22	Firing Pin Bushing	45	Sideplate Screw, Flat Head	68	Trigger Lever
23	Frame	46	Rear Sight Elevation Click Plug	69	Trigger Lever Pin

Model 657 Revolver

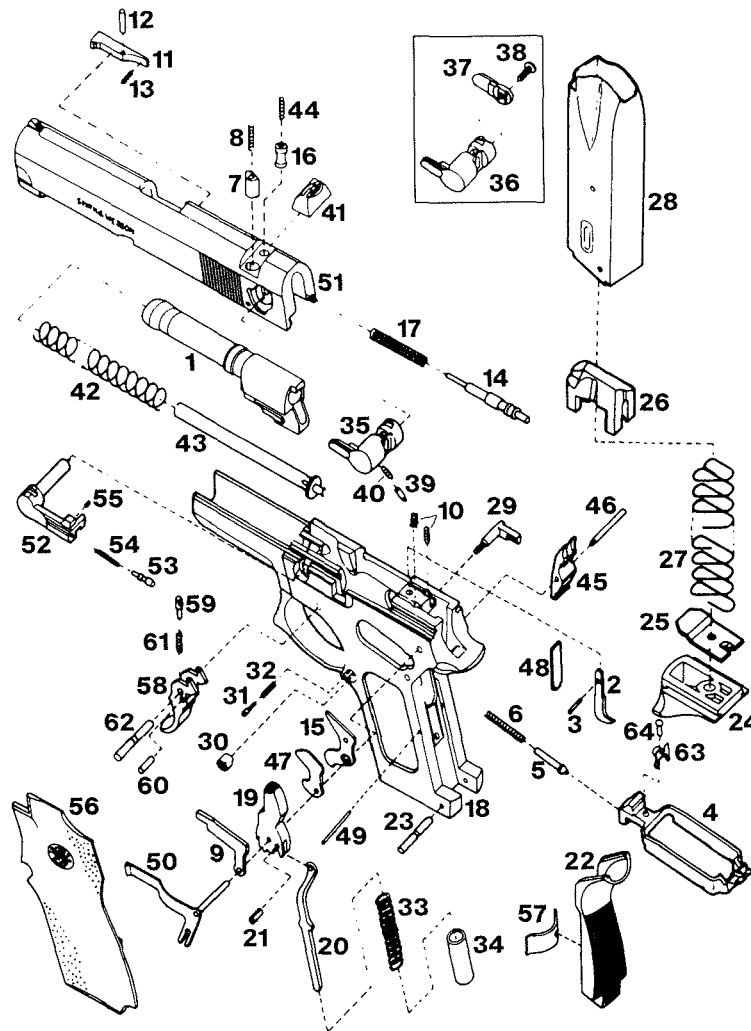


- | | | | | | |
|----|----------------------|----|----------------------------|----|----------------------------|
| 1 | Barrel | 25 | Yoke | 49 | Rear Sight Plungers |
| 2 | Bolt | 26 | Frame Lug | 50 | Rear Sight Plunger Springs |
| 3 | Bolt Plunger | 27 | Hammer Nose | 51 | Rear Sight Slide |
| 4 | Bolt Plunger Spring | 28 | Hammer Nose Rivet | 52 | Rear Sight Spring Clip |
| 5 | Center Pin | 29 | Hammer Nose Spring | 53 | Rear Sight Windage Nut |
| 6 | Center Pin Spring | 30 | Sear | 54 | Rear Sight Windage Screw |
| 7 | Cylinder | 31 | Sear Pin | 55 | Rebound Slide |
| 8 | Extractor | 32 | Sear Spring | 56 | Rebound Slide Pin |
| 9 | Extractor Pins | 33 | Stirrup | 57 | Rebound Slide Spring |
| 10 | Gas Ring | 34 | Stirrup Pin | 58 | Left Grip |
| 11 | Cylinder Stop | 35 | Hammer | 59 | Right Grip |
| 12 | Cylinder Stop Spring | 36 | Hammer Block | 60 | Grip Screw |
| 13 | Grip Escutcheon | 37 | Hand | 61 | Grip Locator Pin |
| 14 | Grip Escutcheon Nut | 38 | Hand Pin | 62 | Strain Screw |
| 15 | Extractor Rod | 39 | Locking Bolt | 63 | Thumb-Piece |
| 16 | Extractor Rod Collar | 40 | Locking Bolt Pin | 64 | Thumb-Piece Nut |
| 17 | Extractor Spring | 41 | Locking Bolt Spring | 65 | Hand Spring Pin |
| 18 | Cylinder Stop Stud | 42 | Mainspring | 66 | Hand Spring Torsion Pin |
| 19 | Frame | 43 | Sideplate Screws, Crowned | 67 | Hand Torsion Spring |
| 20 | Hammer Nose Bushing | 44 | Sideplate Screw, Flat Head | 68 | Trigger |
| 21 | Hammer Stud | 45 | Rear Sight Elevation Nut | 69 | Trigger Lever |
| 22 | Rebound Slide Stud | 46 | Rear Sight Elevation Stud | 70 | Trigger Lever Pin |
| 23 | Sideplate | 47 | Rear Sight Leaf | 71 | Trigger Stop Rod |
| 24 | Trigger Stud | 48 | Rear Sight Leaf Screw | | |

Model 659 Auto

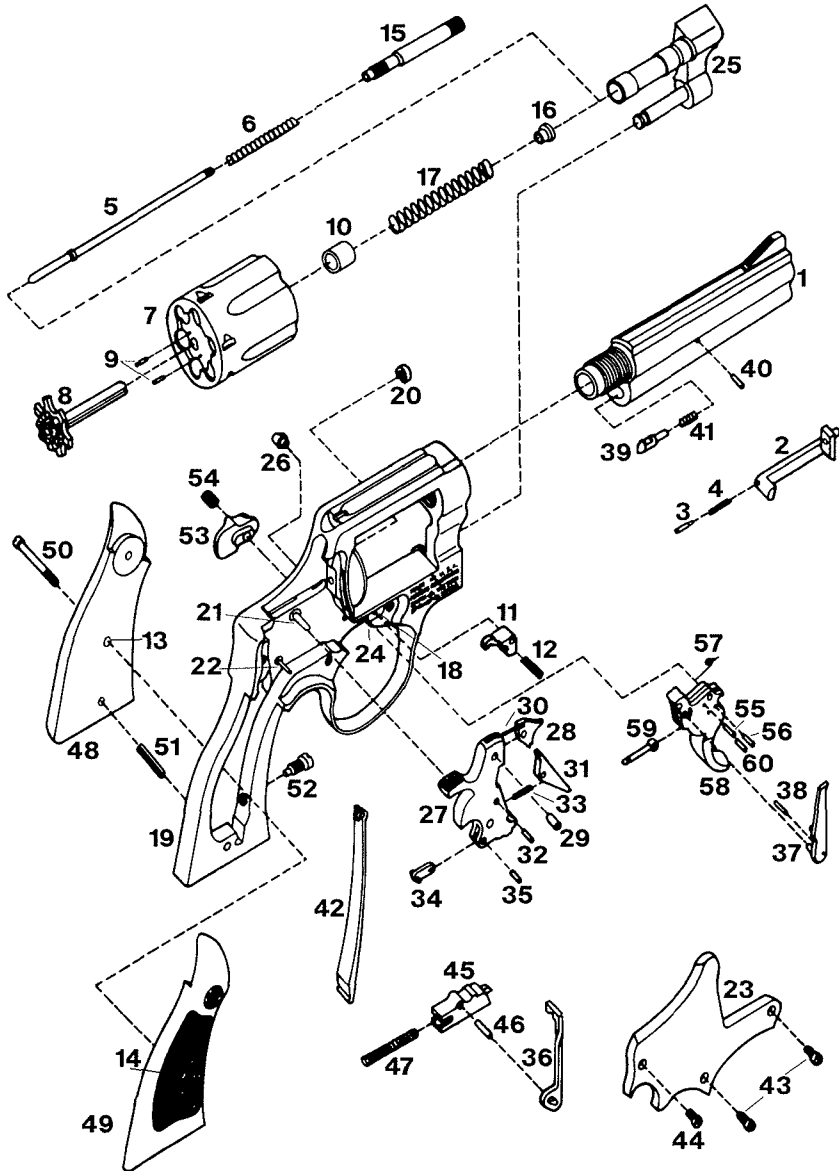


1	Barrel	32	Magazine Tube	63	Sear Pin
2	Barrel Bushing	33	Magazine Catch	64	Sear Release Lever
3	Disconnecter	34	Magazine Catch Nut	65	Sear Spring
4	Disconnecter Pin	35	Magazine Catch Plunger	66	Sear Spring Retaining Pin
5	Drawbar	36	Magazine Catch Plunger Spring	67	Sideplate
6	Drawbar Plunger	37	Mainspring	68	Slide, Adjustable Sight
7	Drawbar Plunger Spring	38	Mainspring Plunger	69	Slide, Fixed Sight
8	Ejector Depressor Plunger	39	Manual Safety	70	Slide Stop
9	Ejector Depressor Plunger Spring	40	Manual Safety, Ambidextrous	71	Slide Stop Plunger
10	Ejector Magazine Depressor	41	Manual Safety Right Side Lever	72	Slide Stop Plunger Spring
11	Ejector Springs	42	Manual Safety Plunger	73	Slide Stop Spiral Pin
12	Extractor	43	Manual Safety Plunger Spring	74	Left Grip
13	Extractor Pin	44	Manual Safety Screw	75	Grip Screws
14	Extractor Spring	45	Rear Sight Body	76	Trigger
15	Firing Pin	46	Rear Sight Elevation Screw	77	Trigger Plunger
16	Firing Pin Safety-Lever	47	Rear Sight Plunger	78	Trigger Plunger Pin
17	Firing Pin Safety-Lever Plunger	48	Rear Sight Plunger Spring	79	Trigger Plunger Spring
18	Firing Pin Safety-Lever Spring	49	Rear Sight Slide	80	Trigger Pin
19	Firing Pin Spring	50	Rear Sight Windage Nut	81	Trigger Play Spring
20	Frame	51	Rear Sight Windage Screw	82	Trigger Play Spring Rivet
21	Frame Stud	52	Rear Sight Base		
22	Slide Stop Button	53	Rear Sight Base Screw	Parts Not Shown	
23	Hammer	54	Rear Sight Body, Fixed Sight		Hammer Pin
24	Stirrup	55	Rear Sight Body Plungers		Recoil Spring Guide
25	Stirrup Pin	56	Rear Sight Body Plunger Springs		Recoil Spring Guide Bushing
26	Frame Insert	57	Rear Sight Elevation Plungers		Recoil Spring Guide Plunger
27	Frame Insert Pin	58	Rear Sight Elevation Spring		Recoil Spring Guide Plunger Spring
28	Magazine Base Plate	59	Rear Sight Set Screw, Fixed Sight		Slide Stop Pin
29	Magazine Base Plate Catch	60	Recoil Spring		Right Grip
30	Magazine Follower	61	Recoil Spring Guide Assembly		
31	Magazine Spring	62	Sear		



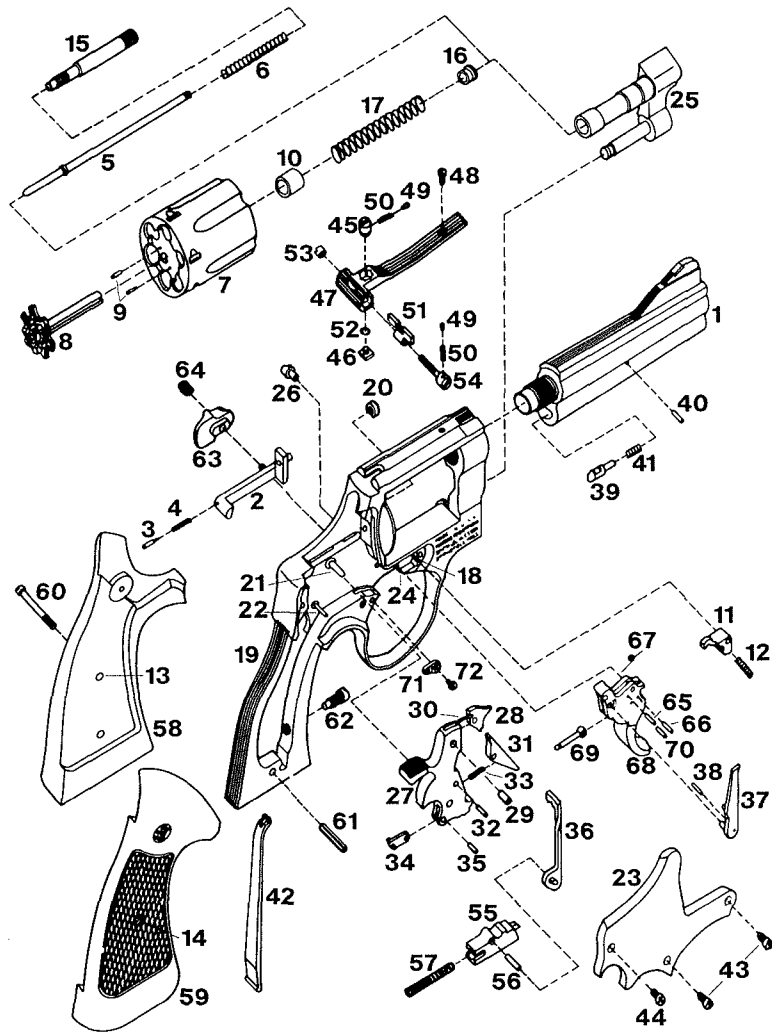
1	Barrel	26	Magazine Follower	48	Sear Spring
2	Disconnecter	27	Magazine Spring	49	Sear Spring Retaining Pin
3	Disconnecter Pin	28	Magazine Tube	50	Sideplate
4	Drawbar	29	Magazine Catch	51	Slide
5	Drawbar Plunger	30	Magazine Catch Nut	52	Slide Stop
6	Drawbar Plunger Spring	31	Magazine Catch Plunger	53	Slide Stop Plunger
7	Ejector Depressor Plunger	32	Magazine Catch Plunger Spring	54	Slide Stop Plunger Spring
8	Ejector Depressor Plunger Spring	33	Mainspring	55	Slide Stop Spiral Pin
9	Ejector Magazine Depressor	34	Mainspring Plunger	56	Left Grip
10	Ejector Springs	35	Manual Safety	57	Stock Retaining Spring
11	Extractor	36	Manual Safety, Ambidextrous	58	Trigger
12	Extractor Pin	37	Manual Safety-Lever, <R>Ambidextrous	59	Trigger Plunger
13	Extractor Spring	38	Manual Safety-Lever Screw, <R>Ambidextrous	60	Trigger Plunger Pin
14	Firing Pin	39	Manual Safety Plunger	61	Trigger Plunger Spring
15	Firing Pin Safety-Lever	40	Manual Safety Plunger Spring	62	Trigger Pin
16	Firing Pin Safety Plunger	41	Rear Sight	63	Trigger Play Spring
17	Firing Pin Spring	42	Recoil Spring	64	Trigger Play Spring Rivet
18	Frame	43	Recoil Spring Guide Assembly	Parts Not Shown	
19	Hammer	44	Safety-Lever Plunger Spring		Recoil Spring Guide
20	Stirrup	45	Sear		Recoil Spring Guide Bushing
21	Stirrup Pin	46	Sear Pin		Recoil Spring Guide Plunger
22	Frame Insert	47	Sear Release Lever		Recoil Spring Guide Plunger Spring
23	Frame Insert Pin				Right Grip
24	Magazine Base Plate				
25	Magazine Base Plate Catch				

Model 681 Revolver



1	Barrel	21	Hammer Stud	41	Locking Bolt Spring
2	Bolt	22	Rebound Slide Stud	42	Mainspring
3	Bolt Plunger	23	Sideplate	43	Sideplate Screws, Crowned
4	Bolt Plunger Spring	24	Trigger Stud	44	Sideplate Screw, Flat Head
5	Center Pin	25	Yoke	45	Rebound Slide
6	Center Pin Spring	26	Frame Lug	46	Rebound Slide Pin
7	Cylinder	27	Hammer	47	Rebound Slide Spring
8	Extractor	28	Hammer Nose	48	Left Grip
9	Extractor Pins	29	Hammer Nose Rivet	49	Right Grip
10	Gas Ring	30	Hammer Nose Spring	50	Grip Screw
11	Cylinder Stop	31	Sear	51	Grip Locator Pin
12	Cylinder Stop Spring	32	Sear Pin	52	Strain Screw
13	Grip Escutcheon	33	Sear Spring	53	Thumb-Piece
14	Grip Escutcheon Nut	34	Stirrup	54	Thumb-Piece Nut
15	Extractor Rod	35	Stirrup Pin	55	Hand Spring Pin
16	Extractor Rod Collar	36	Hammer Block	56	Hand Spring Torsion Pin
17	Extractor Spring	37	Hand	57	Hand Torsion Spring
18	Cylinder Stop Stud	38	Hand Pin	58	Trigger
19	Frame	39	Locking Bolt	59	Trigger Lever
20	Hammer Nose Bushing	40	Locking Bolt Pin	60	Trigger Lever Pin

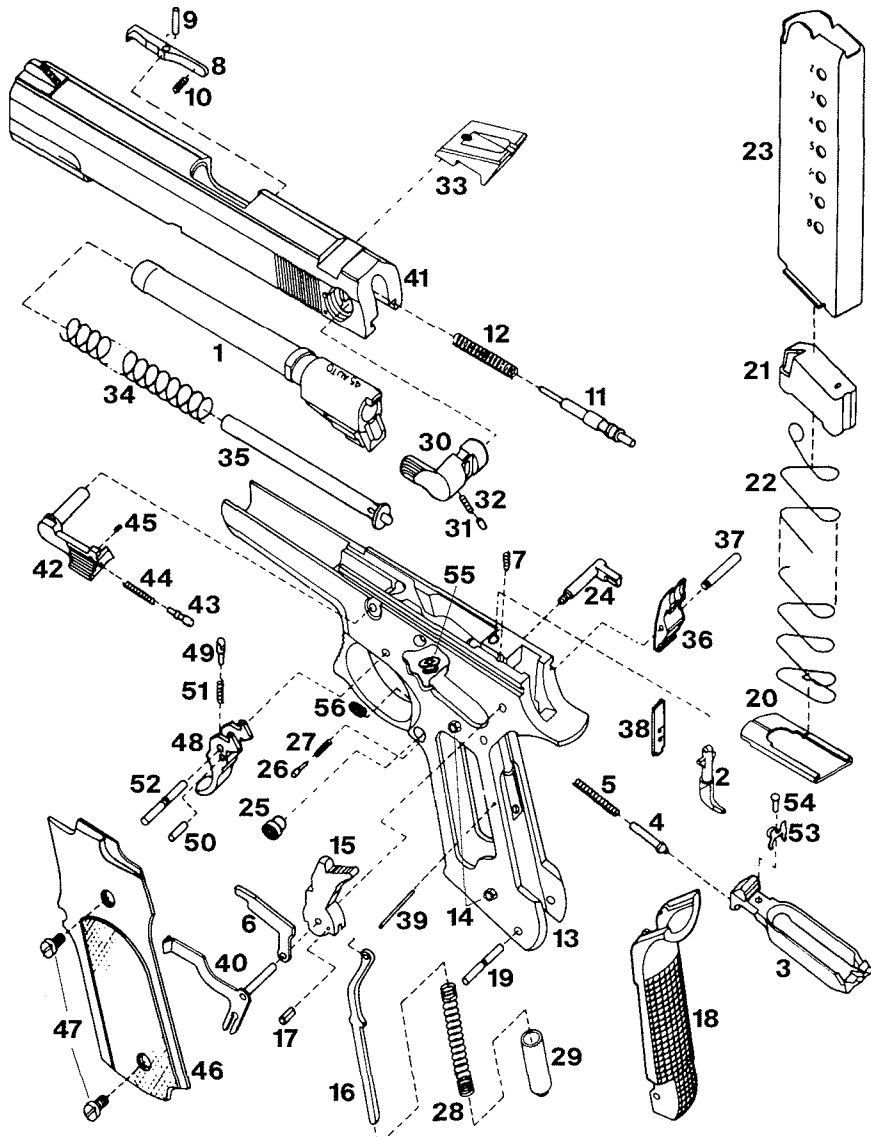
Model 686 Revolver



- | | | | | | |
|----|----------------------|----|----------------------------|----|--------------------------|
| 1 | Barrel | 26 | Frame Lug | 51 | Rear Sight Slide |
| 2 | Bolt | 27 | Hammer | 52 | Rear Sight Spring Clip |
| 3 | Bolt Plunger | 28 | Hammer Nose | 53 | Rear Sight Windage Nut |
| 4 | Bolt Plunger Spring | 29 | Hammer Nose Rivet | 54 | Rear Sight Windage Screw |
| 5 | Center Pin | 30 | Hammer Nose Spring | 55 | Rebound Slide |
| 6 | Center Pin Spring | 31 | Sear | 56 | Rebound Slide Pin |
| 7 | Cylinder | 32 | Sear Pin | 57 | Rebound Slide Spring |
| 8 | Extractor | 33 | Sear Spring | 58 | Left Grip |
| 9 | Extractor Pins | 34 | Stirrup | 59 | Right Grip |
| 10 | Gas Ring | 35 | Stirrup Pin | 60 | Grip Screw |
| 11 | Cylinder Stop | 36 | Hammer Block | 61 | Grip Locator Pin |
| 12 | Cylinder Stop Spring | 37 | Hand | 62 | Strain Screw |
| 13 | Grip Escutcheon | 38 | Hand Pin | 63 | Thumb-Piece |
| 14 | Grip Escutcheon Nut | 39 | Locking Bolt | 64 | Thumb-Piece Nut |
| 15 | Extractor Rod | 40 | Locking Bolt Pin | 65 | Hand Spring Pin |
| 16 | Extractor Rod Collar | 41 | Locking Bolt Spring | 66 | Hand Spring Torsion Pin |
| 17 | Extractor Spring | 42 | Mainspring | 67 | Hand Torsion Spring |
| 18 | Cylinder Stop Stud | 43 | Sideplate Screws, Crowned | 68 | Trigger |
| 19 | Frame | 44 | Sideplate Screw, Flat Head | 69 | Trigger Lever |
| 20 | Hammer Nose Bushing | 45 | Rear Sight Elevation Nut | 70 | Trigger Lever Pin |
| 21 | Hammer Stud | 46 | Rear Sight Elevation Stud | 71 | Trigger Stop |
| 22 | Rebound Slide Stud | 47 | Rear Sight Leaf | 72 | Trigger Stop Screw |
| 23 | Sideplate | 48 | Rear Sight Screw | | |
| 24 | Trigger Stud | 49 | Rear Sight Plungers | | |
| 25 | Yoke | 50 | Rear Sight Plunger Springs | | |

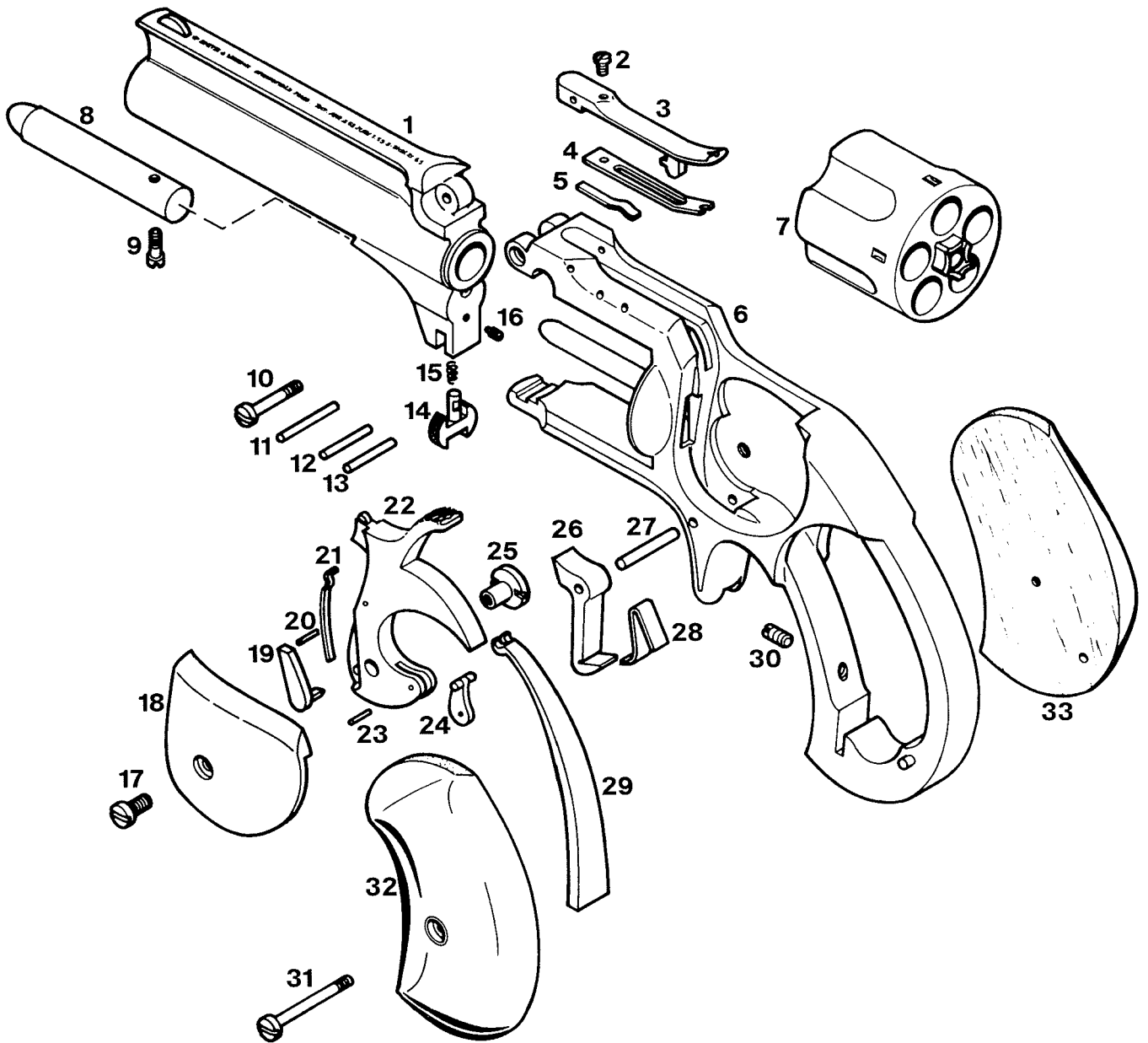
Parts Not Shown
Front Sight Blade

Model 745 Auto



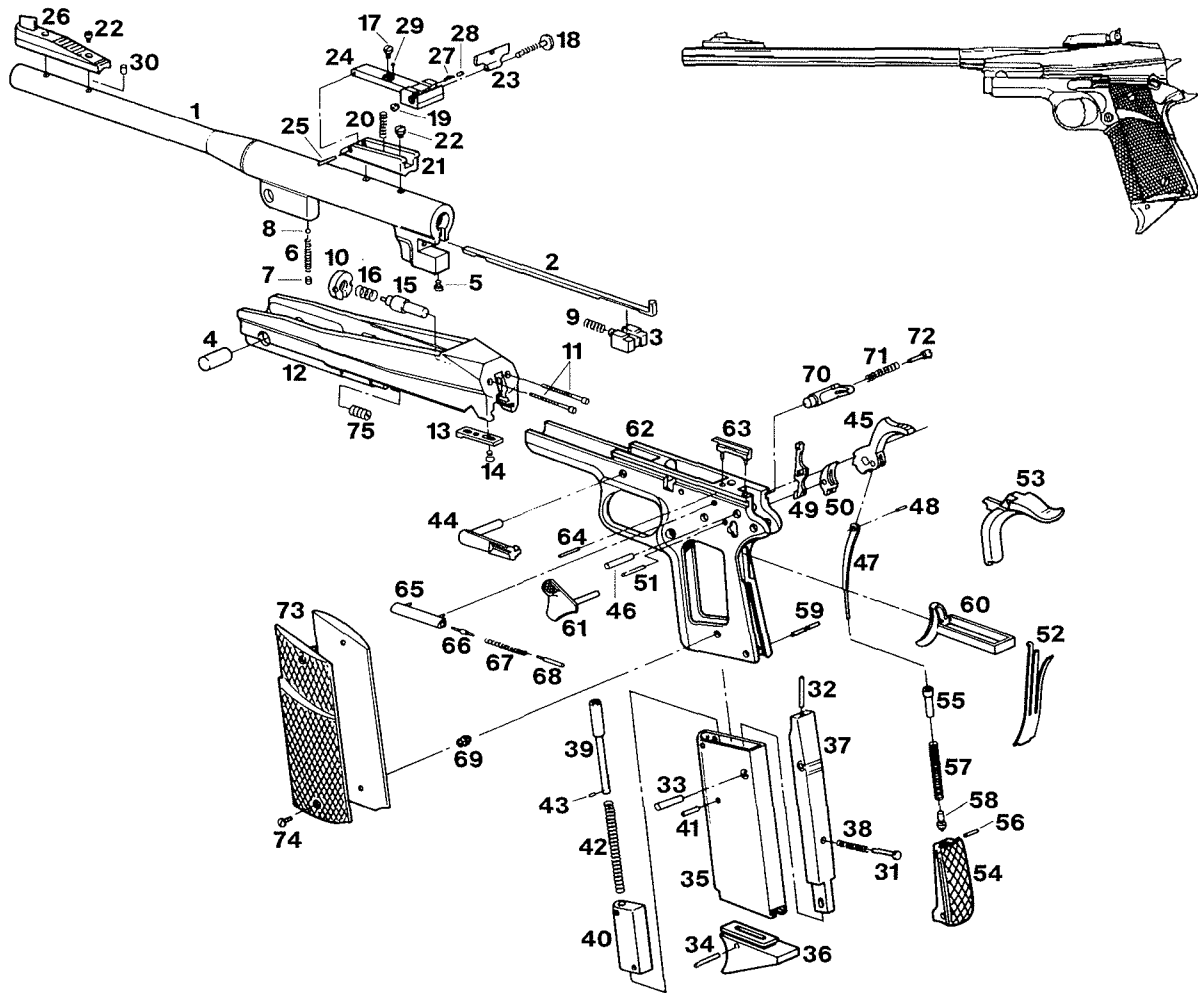
1	Barrel	22	Magazine Spring	43	Slide Stop Plunger
2	Disconnecter	23	Magazine Tube	44	Slide Stop Plunger Spring
3	Drawbar	24	Magazine Catch	45	Slide Stop Spiral Pin
4	Drawbar Plunger	25	Magazine Catch Nut	46	Left Grip
5	Drawbar Plunger Spring	26	Magazine Catch Plunger	47	Grip Screws
6	Ejector Magazine Depressor	27	Magazine Catch Plunger Spring	48	Trigger
7	Ejector Spring	28	Mainspring	49	Trigger Plunger
8	Extractor	29	Mainspring Plunger	50	Trigger Plunger Pin
9	Extractor Pin	30	Manual Safety	51	Trigger Plunger Spring
10	Extractor Spring	31	Manual Safety Plunger	52	Trigger Pin
11	Firing Pin	32	Manual Safety Plunger Spring	53	Trigger Play Spring
12	Firing Pin Spring	33	Rear Sight Body Fixed	54	Trigger Play Spring Rivet
13	Frame	34	Recoil Spring	55	Upper Lock-Out Screw
14	Frame Studs	35	Recoil Spring Guide Assembly	56	Adjustable Trigger Stop
15	Hammer	36	Sear	Parts Not Shown	
16	Stirrup	37	Sear Pin		Recoil Spring Guide
17	Stirrup Pin	38	Sear Spring		Recoil Spring Guide Bushing
18	Frame Insert	39	Sear Spring Retaining Pin		Recoil Spring Guide Plunger
19	Frame Insert Pin	40	Sideplate		Recoil Spring Guide Plunger Spring
20	Magazine Base Plate	41	Slide		Right Grip
21	Magazine Follower	42	Slide Stop		

Tip-Up 32 Revolver

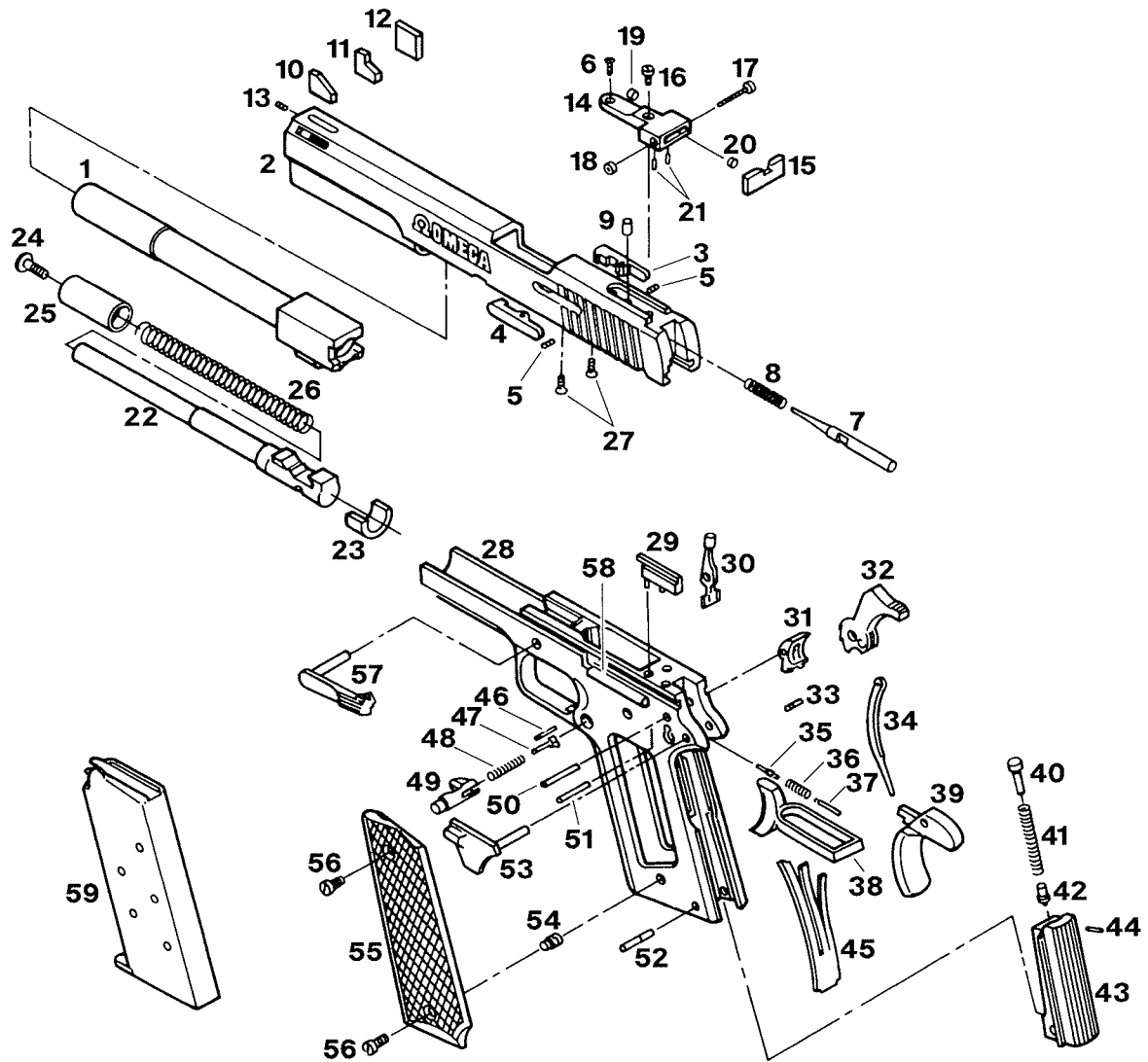


1	Barrel	12	Cylinder Stop Spring Pin	23	Hammer Stirrup Pin
2	Cylinder Stop Screw	13	Cylinder Stop Striker Pin	24	Hammer Stirrup
3	Cylinder Stop and Rear Sight	14	Barrel Latch	25	Hammer Stud
4	Cylinder Stop Striker	15	Barrel Latch Spring	26	Trigger
5	Cylinder Stop Spring	16	Barrel Latch Screw	27	Trigger Pin
6	Frame	17	Sideplate Screw	28	Trigger Spring
7	Cylinder	18	Sideplate	29	Mainspring
8	Ejector Rod	19	Cylinder Hand	30	Mainspring Strain Screw
9	Ejector Rod Screw	20	Cylinder Hand Spring Pin	31	Grip Screw
10	Barrel Hinge Pin	21	Cylinder Hand Spring	32	Left Grip Panel
11	Cylinder Stop Pin	22	Hammer	33	Right Grip Panel

1911-A2 Auto

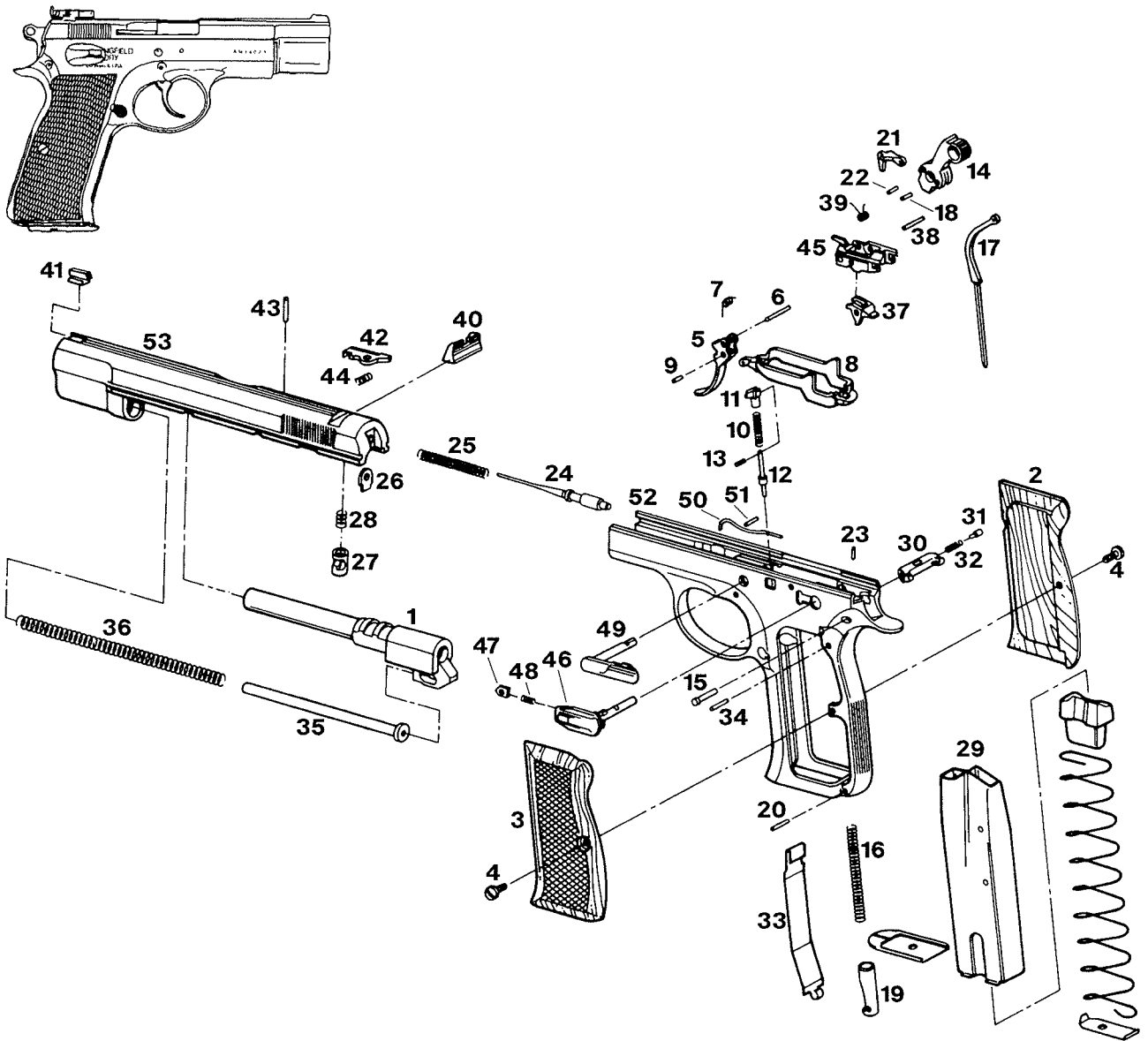


1	Barrel	26	Front Sight	51	Sear Pin
2	Extractor	27	Rear Sight Windage Spring	52	Sear Spring
3	Barrel Lock	28	Rear Sight Windage Plunger	53	Grip Safety
4	Pivot Pin	29	Rear Sight Ball Bearing	54	Mainspring Housing
5	Barrel Lock Screw	30	Sight Plug Screw	55	Mainspring Cap
6	Extractor Detent Spring	31	Release Lever Return Spring Guide	56	Mainspring Cap Pin
7	Extractor Detent Screw	32	Release Lever Unlocking Pin	57	Mainspring
8	Extractor Detent Bearing	33	Release Housing Lever Pivot Pin	58	Housing Pin Retainer
9	Barrel Lock Spring	34	Release Lever Trigger Pin	59	Mainspring Housing Pin
10	Recoil Plate	35	Release Housing	60	Trigger
11	Recoil Plate Screws	36	Release Lever Trigger	61	Safety Lock
12	Slide	37	Release Housing Lever	62	Frame
13	Disconnecter Interface	38	Release Lever Return Spring	63	Ejector
14	Disconnecter Interface Screw	39	Release Housing Plunger	64	Ejector Pin
15	Firing Pin	40	Release Plunger Housing	65	Plunger Tube
16	Firing Pin Spring	41	Release Plunger Pin	66	Slide Stop Plunger
17	Elevation Screw	42	Release Housing Plunger Spring	67	Plunger Spring
18	Windage Screw	43	Release Housing Plunger Pin	68	Safety Lock Plunger
19	Windage Cap	44	Slide Stop	69	Grip Screw Bushing
20	Elevation Spring	45	Hammer	70	Magazine Catch
21	Rear Sight Base	46	Hammer Pin	71	Magazine Catch Spring
22	Front and Rear Sight Screws	47	Hammer Strut	72	Magazine Catch Lock
23	Rear Sight Aperture	48	Hammer Strut Pin	73	Wraparound Grip
24	Rear Sight Leaf	49	Disconnecter	74	Grip Screw
25	Rear Sight Pin	50	Sear	75	Recoil Lug Adjustment Screw

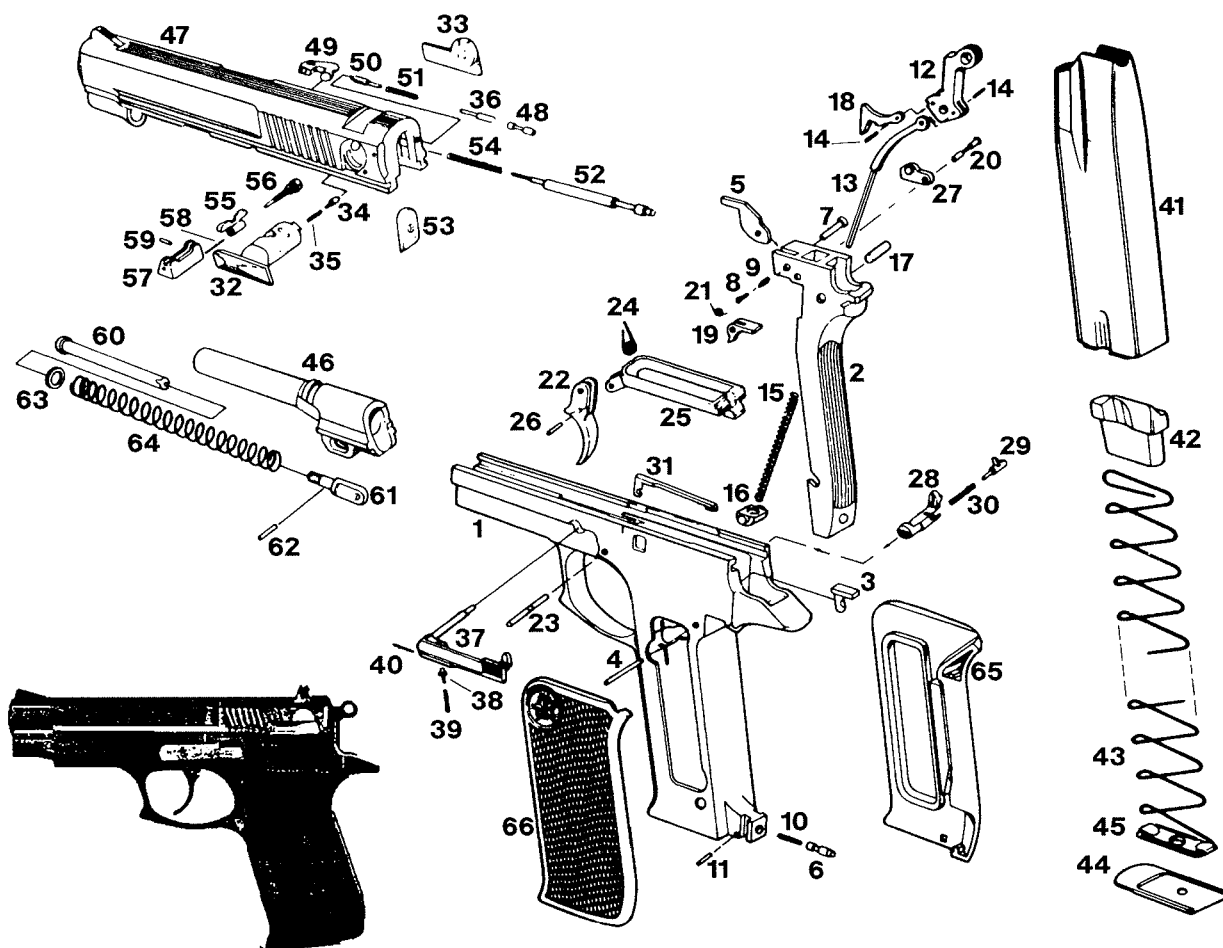


1	Barrel	21	Rear Sight Springs	40	Mainspring Cap
2	Slide	22	Recoil Spring Guide	41	Mainspring
3	Extractor	23	Buffer	42	Mainspring Retainer
4	Extractor/Pusher	24	Recoil Spring Guide Retaining Screw	43	Mainspring Housing
5	Extractor Springs	25	Recoil Spring Guide Plug	44	Mainspring Cap Retaining Pin
6	Rear Sight Screw	26	Recoil Spring	45	Sear Spring
7	Firing Pin	27	Extractor Screws	46	Ejector Pin
8	Firing Pin Spring	28	Frame	47	Magazine Catch Cock
9	Firing Pin Retainer	29	Ejector	48	Magazine Catch Spring
10	Front Sight, Ramp Style	30	Disconnecter	49	Magazine Catch
11	Front Sight, Patridge Style	31	Sear	50	Hammer Pin
12	Front Sight, Blank	32	Hammer	51	Sear Pin
13	Front Sight Screw	33	Hammer Strut Pin	52	Mainspring Housing Retaining Pin
14	Rear Sight Housing	34	Hammer Strut	53	Safety Cock
15	Rear Sight Blade	35	Slide Lock Plunger	54	Escutcheon
16	Elevation Screw	36	Plunger Spring	55	Grip Panel
17	Windage Screw	37	Safety Lock Plunger	56	Grip Screws
18	Windage Screw Nut	38	Trigger	57	Slide Lock
19	Front Spring Housing	39	Grip Safety	58	Plunger
20	Rear Spring Housing			59	Magazine

P9 Auto

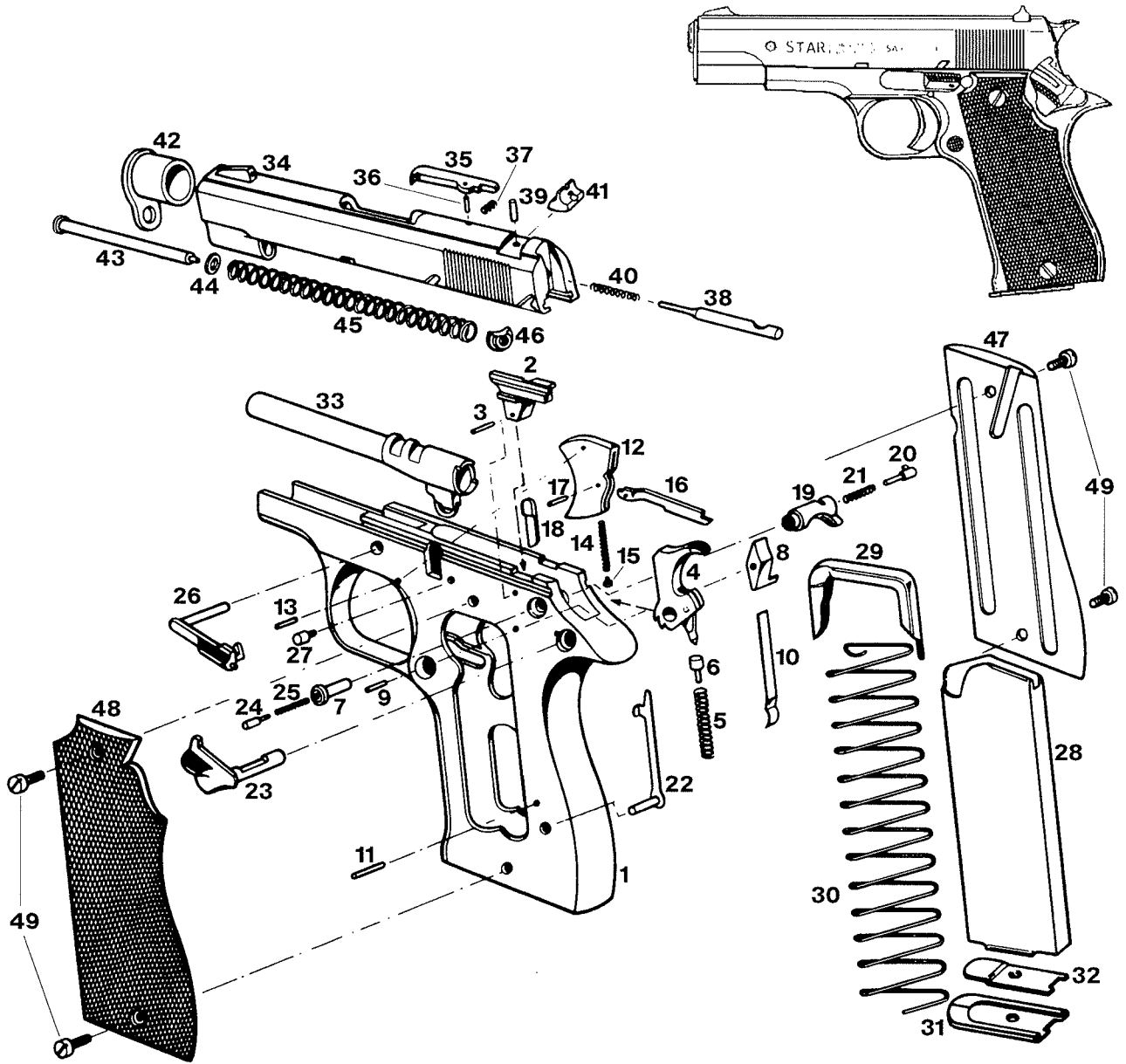


- | | | | | | |
|----|-------------------------|----|------------------------------------|----|----------------------------|
| 1 | Barrel | 19 | Hammer Spring Cup | 37 | Sear |
| 2 | Right Grip | 20 | Hammer Spring Cup Pin | 38 | Sear Pin |
| 3 | Left Grip | 21 | Interruptor | 39 | Sear Spring |
| 4 | Grip Screws | 22 | Interruptor Pin | 40 | Rear Sight |
| 5 | Trigger | 23 | Hammer Pin Retaining Pin | 41 | Front Sight |
| 6 | Trigger Pin | 24 | Firing Pin | 42 | Extractor |
| 7 | Trigger Spring | 25 | Firing Pin Spring | 43 | Extractor Pin |
| 8 | Trigger Bar | 26 | Firing Pin Retainer Plate | 44 | Extractor Spring |
| 9 | Trigger Bar Pin | 27 | Firing Pin Safety | 45 | Sear Assembly Housing with |
| 10 | Trigger Bar Spring | 28 | Firing Pin Safety Spring | | Ejector |
| 11 | Trigger Bar Guide | 29 | Magazine | 46 | Sear Safety |
| 12 | Trigger Bar Plunger | 30 | Magazine Catch | 47 | Sear Safety Retainer Plate |
| 13 | Trigger Bar Plunger Pin | 31 | Magazine Catch Spring Plunger | 48 | Sear Safety Spring |
| 14 | Hammer | 32 | Magazine Catch Spring | 49 | Slide Stop Pin |
| 15 | Hammer Pin | 33 | Magazine Security Spring Plate | 50 | Slide Stop Pin Spring |
| 16 | Hammer Spring | 34 | Magazine Security Spring Plate Pin | 51 | Slide Stop Pin Spring Pin |
| 17 | Hammer Strut | 35 | Recoil Spring Guide | 52 | Frame |
| 18 | Hammer Strut Pin | 36 | Recoil Spring | 53 | Slide |



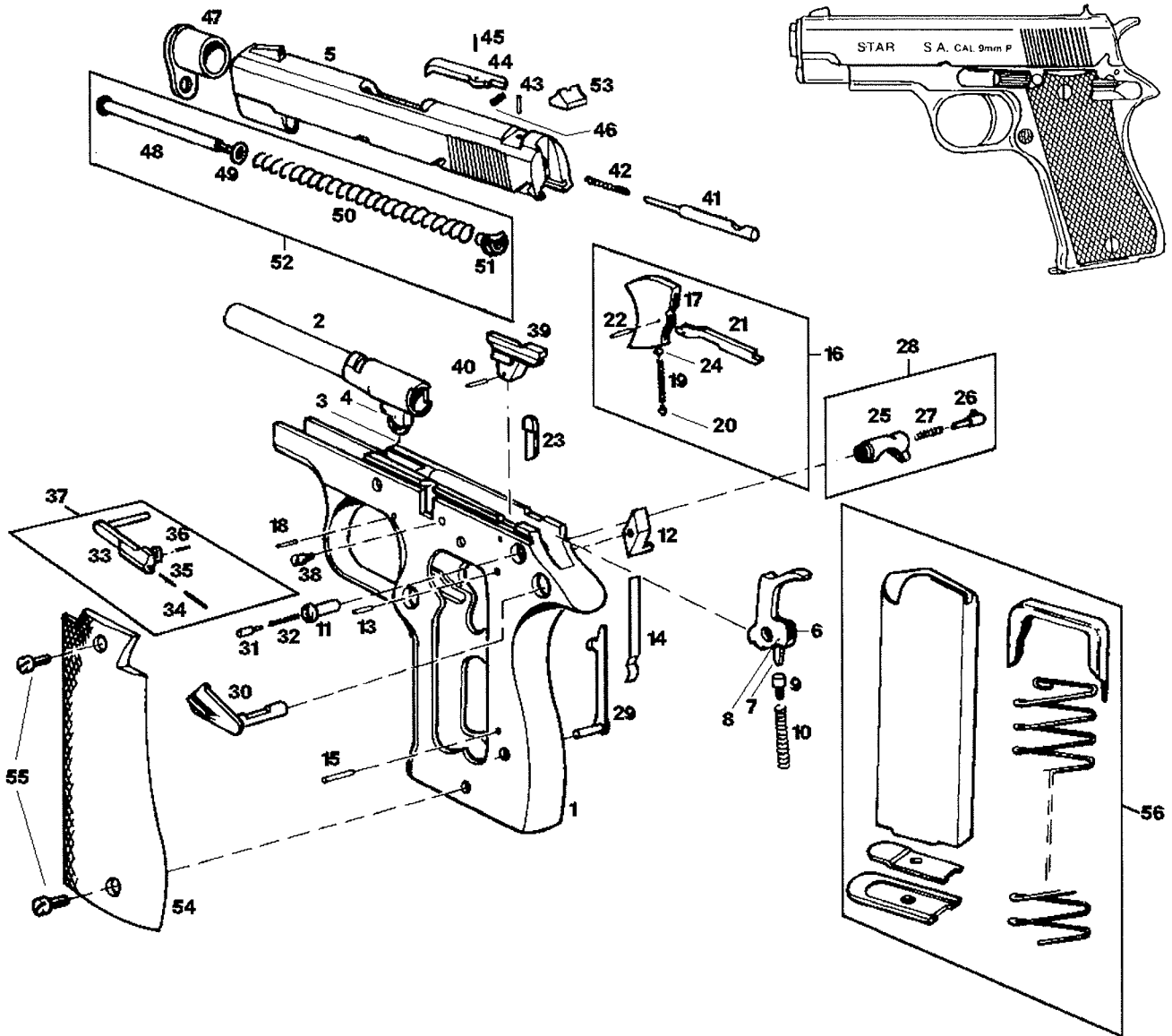
1	Frame	25	Trigger Bar	44	Magazine Floorplate
2	Backstrap	26	Trigger Bar Pin	45	Magazine Floorplate Catch
3	Hammer Lock Sliding Way Retaining Pin	27	Interruptor	46	Barrel
4	Hammer Lock Sliding Way Retaining Pin	28	Magazine Catch	47	Slide
5	Ejector	29	Magazine Catch Lock	48	Plunger Housing Plug
6	Backstrap Retaining Plunger	30	Magazine Catch Lock Spring	49	Extractor
7	Ejector Pin	31	Magazine Safety	50	Extractor Plunger
8	Ejector Friction Plunger	32	Ambidextrous Thumb Safety	51	Extractor Plunger Spring
9	Ejector Friction Plunger Spring	33	Ambidextrous Thumb Safety Wing, Right	52	Firing Pin
10	Backstrap Retaining Plunger Spring	34	Ambidextrous Thumb Safety Retaining Plunger	53	Firing Pin Retainer
11	Backstrap Retaining Plunger Pin	35	Ambidextrous Thumb Safety Retaining Plunger Spring	54	Firing Pin Spring
12	Hammer	36	Ambidextrous Thumb Safety Positioning Plunger	55	Rear Sight
13	Hammer Bar	37	Slide Stop	56	Rear Sight Windage Spindle
14	Hammer Pins	38	Slide Stop Plunger	57	Rear Sight Base
15	Hammer Spring	39	Slide Stop Plunger Spring	58	Rear Sight Windage Spindle Spring
16	Hammer Spring Support	40	Slide Stop Plunger Elastic Retaining Pin	59	Rear Sight Windage Spindle Retaining Pin
17	Hammer Axis	41	Magazine Tube	60	Recoil Spring Guide
18	Hammer Lock	42	Magazine Follower	61	Recoil Spring Guide Coupling
19	Sear	43	Magazine Follower Spring	62	Recoil Spring Guide Coupling Locking Pin
20	Sear Axis			63	Recoil Spring Guide Washer
21	Sear Spring			64	Recoil Spring
22	Trigger			65	Grip, Right
23	Trigger Pin			66	Grip, Left
24	Trigger Spring				

BKS Starlight Auto



1	Frame	18	Interrupter	35	Extractor
2	Ejector	19	Magazine Catch	36	Extractor Pin
3	Ejector Pin	20	Magazine Catch Lock	37	Extractor Spring
4	Hammer with Strut and Pin	21	Magazine Catch Spring	38	Firing Pin
5	Hammer Spring	22	Magazine Safety	39	Firing Pin Retaining Pin
6	Hammer Spring Plunger	23	Thumb Safety	40	Firing Pin Spring
7	Hammer Pin	24	Safety Plunger	41	Rear Sight
8	Sear	25	Safety Spring	42	Barrel Bushing
9	Sear Pin	26	Slide Stop	43	Recoil Spring Guide
10	Sear Spring	27	Slide Stop Screw Button	44	Recoil Spring Guide Washer
11	Sear Spring Retaining Pin	28	Magazine Tube	45	Recoil Spring
12	Trigger	29	Magazine Follower	46	Recoil Spring Guide Head
13	Trigger Pin	30	Magazine Spring	47	Grip, Right
14	Trigger Plunger Spring	31	Magazine Floorplate	48	Grip, Left
15	Trigger Plunger	32	Magazine Floorplate Catch	49	Grip Screws
16	Sear Bar	33	Barrel		
17	Sear Bar Pin	34	Slide		

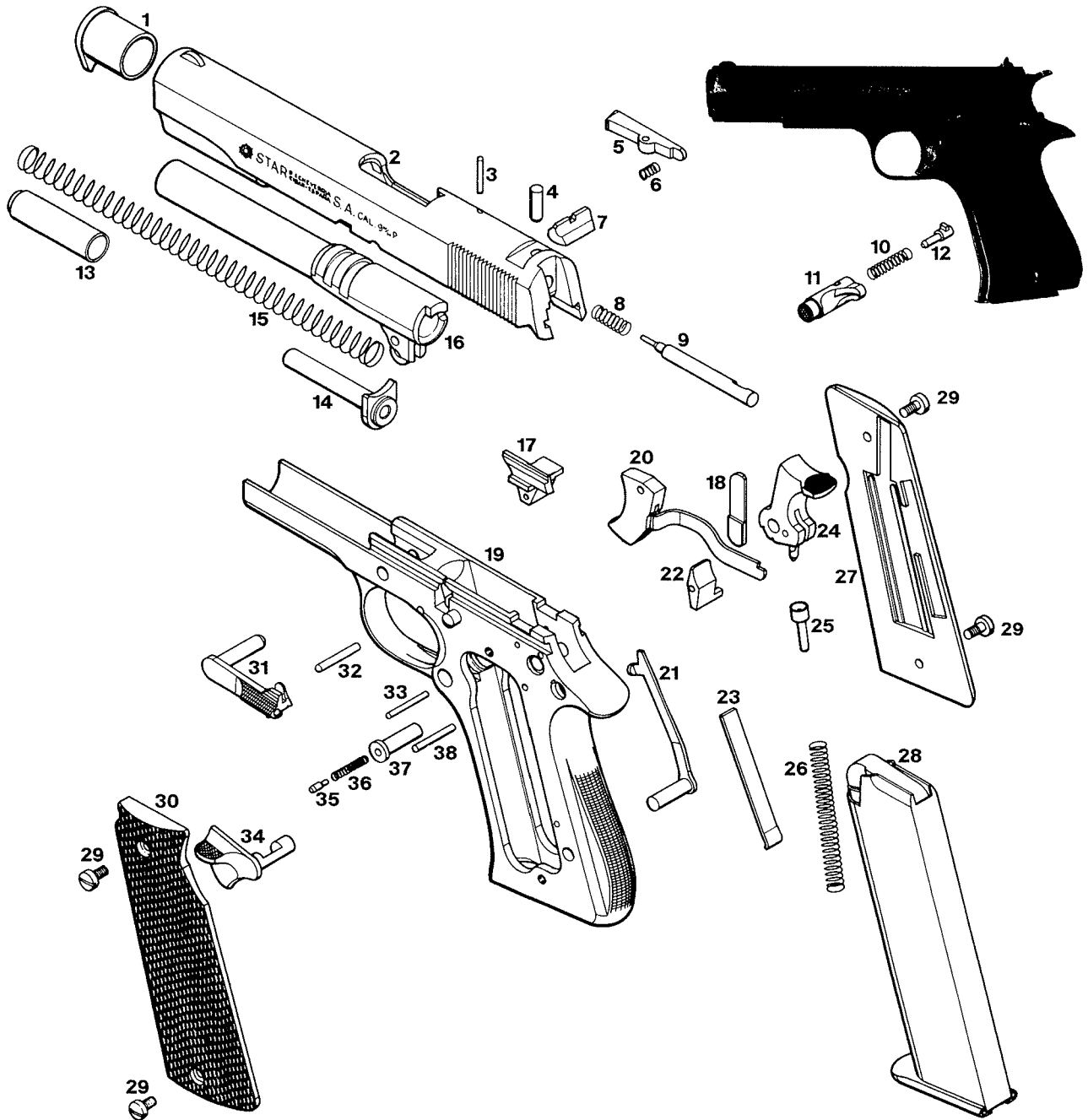
BM and BKM Auto



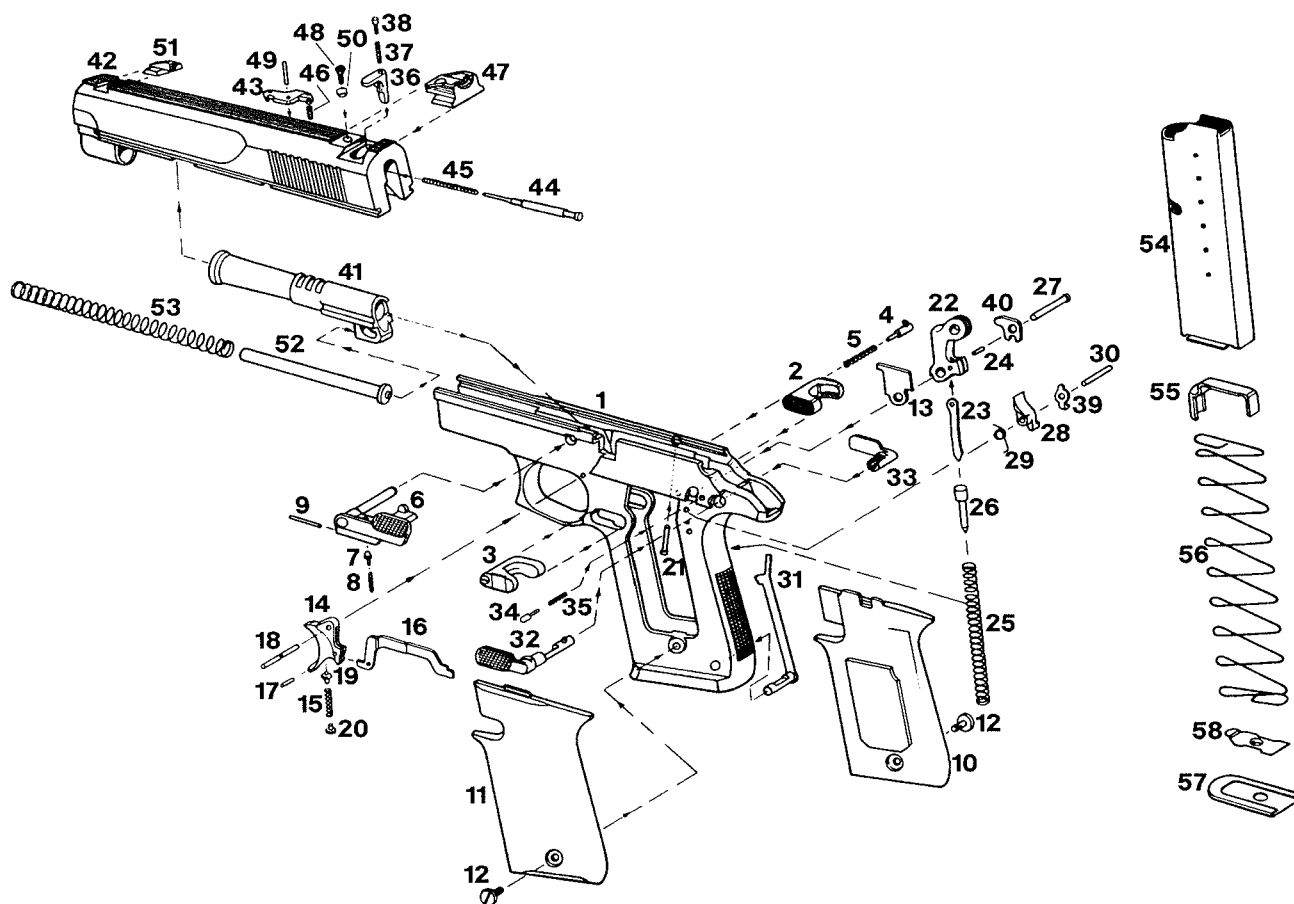
1	Frame	20	Trigger Plunger	39	Ejector
2	Barrel	21	Sear Bar	40	Ejector Pin
3	Barrel Link	22	Sear Bar Pin	41	Firing Pin
4	Barrel Link Pin	23	Disconnecter	42	Firing Pin Spring
5	Slide	24	Trigger Pin Retaining Plunger	43	Firing Pin Retaining Pin
6	Hammer	25	Magazine Catch	44	Extractor
7	Hammer Strut	26	Magazine Catch Lock	45	Extractor Pin
8	Hammer Strut Pin	27	Magazine Catch Lock Spring	46	Extractor Spring
9	Hammer Spring Plunger	28	Magazine Catch Assembly	47	Barrel Bushing
10	Hammer Spring	29	Magazine Safety	48	Recoil Spring Guide
11	Hammer Pin	30	Thumb Safety	49	Recoil Spring Guide Washer
12	Sear	31	Thumb Safety Plunger	50	Recoil Spring
13	Sear Pin	32	Thumb Safety Plunger Spring	51	Recoil Spring Guide Head
14	Sear Spring	33	Slide Stop	52	Recoil Spring Assembly
15	Sear Spring Retaining Pin	34	Slide Stop Plunger	53	Rear Sight
16	Trigger Assembly	35	Slide Stop Plunger Spring	54	Grips
17	Trigger	36	Slide Stop Plunger Pin	55	Grip Screws
18	Trigger Pin	37	Slide Stop Assembly	56	Magazine Assembly
19	Trigger Plunger Spring	38	Slide Stop Screw Button		

BS Auto

Courtesy of Dennis Riordan

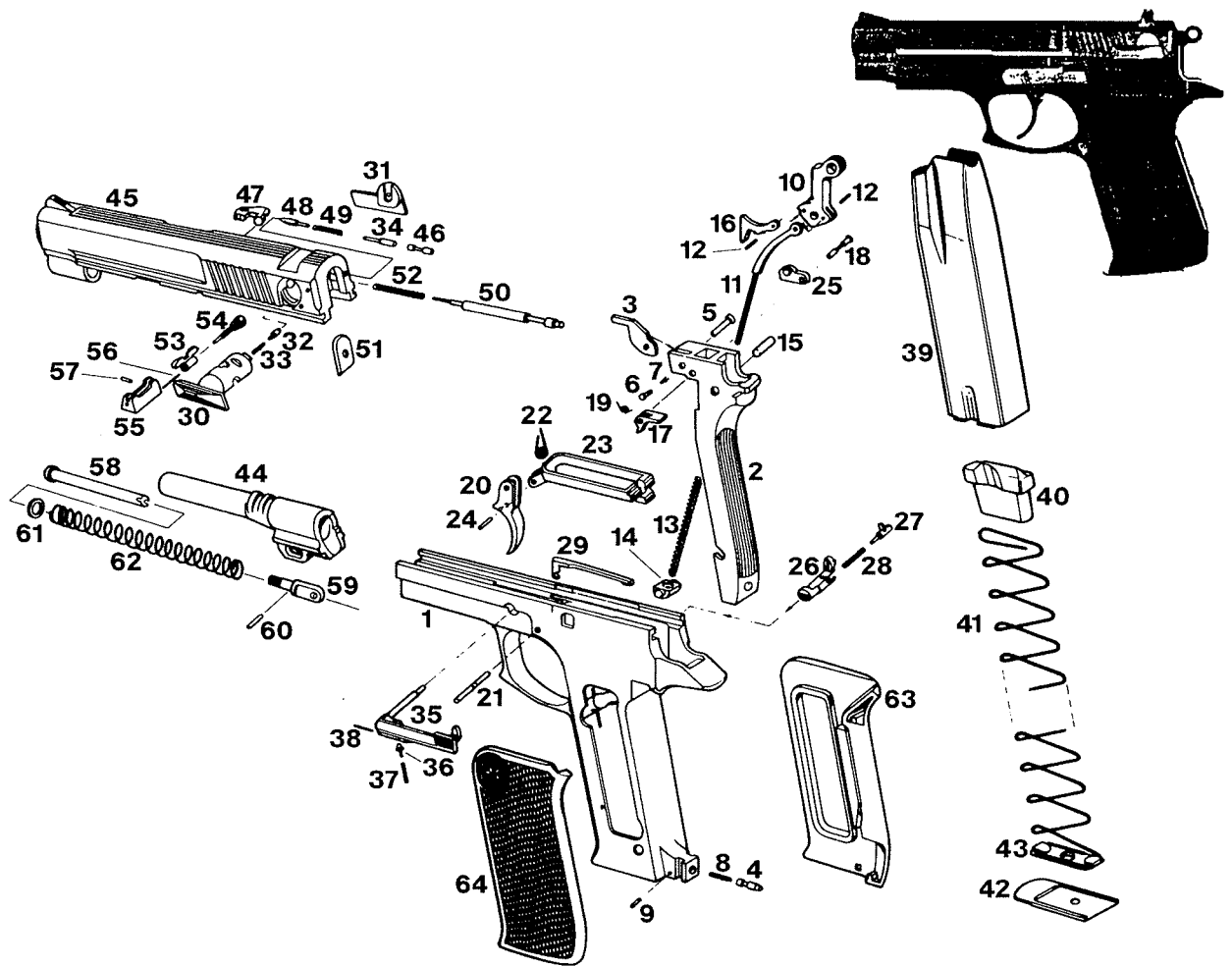


1	Barrel Bushing	14	Recoil Spring Guide	27	Grip, Right
2	Slide	15	Recoil Spring	28	Magazine Assembly
3	Extractor Pin	16	Barrel with Link and Pin	29	Grip Screws
4	Firing Pin Retaining Pin	17	Ejector	30	Grip, Left
5	Extractor	18	Disconnecter	31	Slide Stop
6	Extractor Spring	19	Frame	32	Trigger Pin
7	Rear Sight	20	Trigger with Sear Bar	33	Ejector Pin
8	Firing Pin Spring	21	Magazine Safety	34	Thumb Safety
9	Firing Pin	22	Sear	35	Safety Plunger
10	Magazine Catch Lock Spring	23	Sear Spring	36	Safety Spring
11	Magazine Catch	24	Hammer with Strut and Pin	37	Hammer Pin
12	Magazine Catch Lock	25	Hammer Spring Plunger	38	Sear Pin
13	Recoil Spring Plug	26	Hammer Spring		

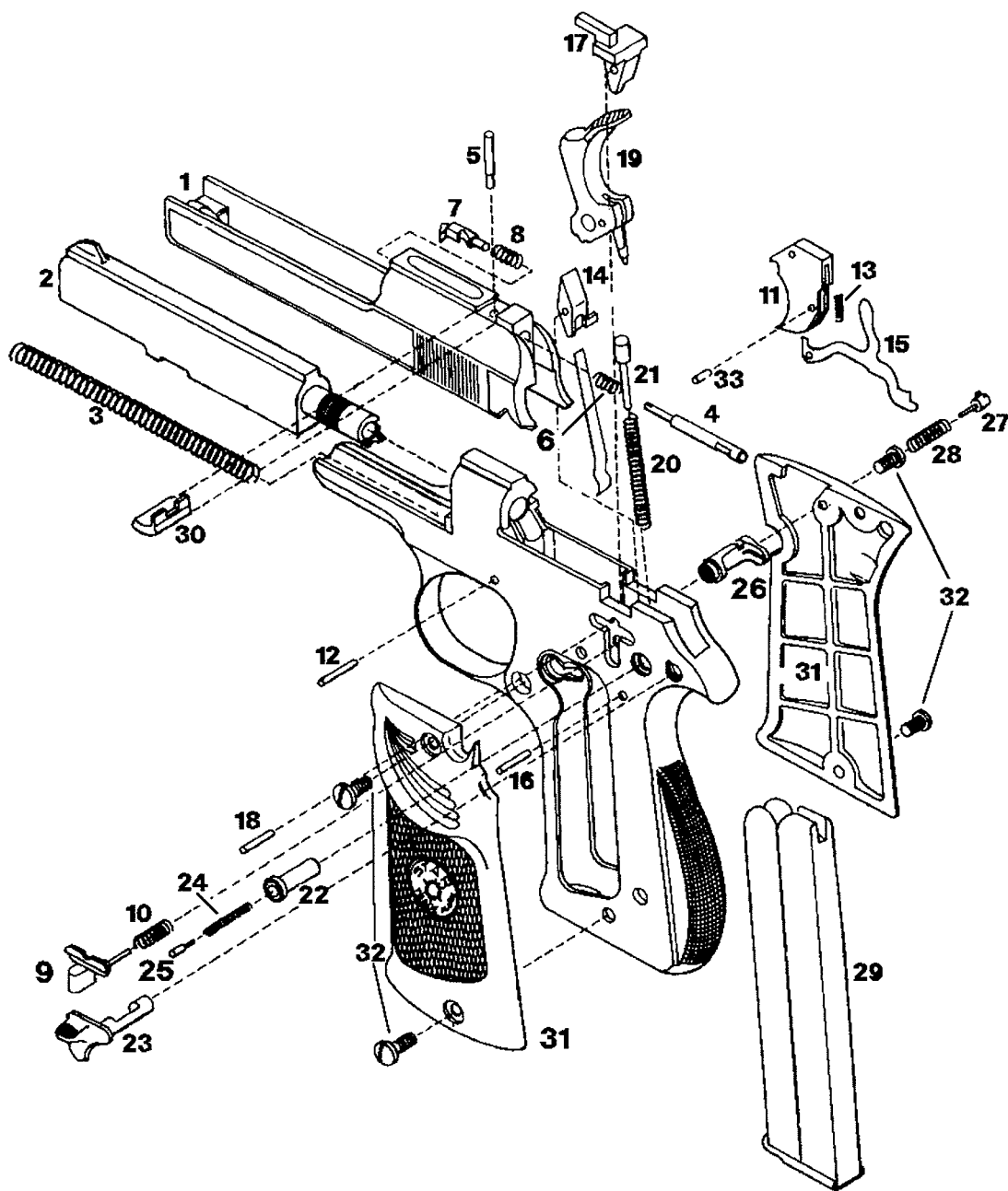


1	Frame	21	Interruptor	41	Barrel
2	Magazine Catch Body, Right	22	Hammer Body	42	Slide
3	Magazine Catch Body, Left	23	Hammer Bar	43	Extractor
4	Magazine Catch Lock	24	Hammer Bar Axis	44	Firing Pin
5	Magazine Catch Spring	25	Hammer Spring	45	Firing Pin Spring
6	Slide Stop	26	Hammer Spring Plunger	46	Extractor Spring
7	Slide Stop Plunger	27	Hammer Axis	47	Rear Sight
8	Slide Stop Plunger Spring	28	Sear	48	Rear Sight Screw
9	Slide Stop Plunger Retaining Pin	29	Sear Spring	49	Extractor Axis
10	Grip, Right	30	Sear Axis	50	Rear Sight Screw Washer
11	Grip, Left	31	Magazine Safety	51	Front Sight
12	Grip Screws	32	Thumb Safety	52	Recoil Spring Guide
13	Ejector	33	Thumb Safety Wing	53	Recoil Spring
14	Trigger Body	34	Thumb Safety Plunger	54	Magazine Tube
15	Trigger Spring	35	Thumb Safety Plunger Spring	55	Magazine Follower
16	Trigger Bar	36	Firing Pin Safety	56	Magazine Follower Spring
17	Trigger Bar Pin	37	Firing Pin Safety Spring	57	Magazine Floorplate
18	Trigger Axis	38	Firing Pin Safety Spring Plunger	58	Magazine Floorplate Catch
19	Trigger Axis Clip	39	Sear Pusher		
20	Trigger Plunger	40	Firing Pin Safety Pusher		

Model F Auto

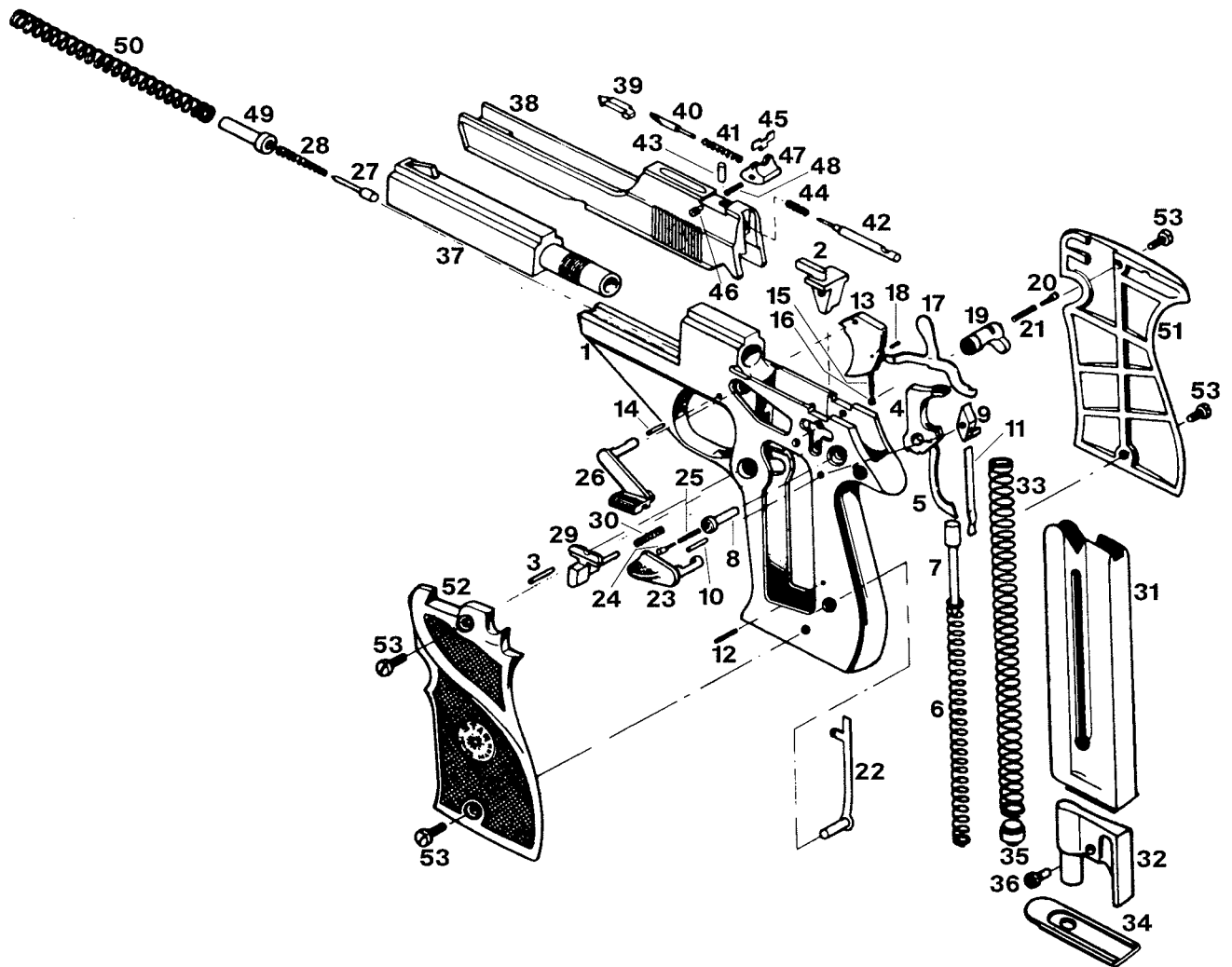


1	Frame	25	Interruptor	43	Magazine Floorplate Catch
2	Backstrap	26	Magazine Catch	44	Barrel
3	Ejector	27	Magazine Catch Lock	45	Slide
4	Backstrap Retaining Plunger	28	Magazine Catch Lock Spring	46	Housing Plug Plunger
5	Ejector Pin	29	Magazine Safety	47	Extractor
6	Ejector Friction Plunger	30	Ambidextrous Thumb Safety	48	Extractor Plunger
7	Ejector Friction Plunger Spring	31	Ambidextrous Thumb Safety Wing, Right	49	Extractor Plunger Spring
8	Backstrap Retaining Plunger Spring	32	Ambidextrous Thumb Safety Retaining Plunger	50	Firing Pin
9	Backstrap Retaining Plunger Pin	33	Ambidextrous Thumb Safety Retaining Plunger Spring	51	Firing Pin Retainer
10	Hammer	34	Ambidextrous Thumb Safety Positioning Plunger	52	Firing Pin Spring
11	Hammer Bar	35	Slide Stop	53	Rear Sight
12	Hammer Pins	36	Slide Stop Plunger	54	Rear Sight Windage Spindle
13	Hammer Spring	37	Slide Stop Plunger Spring	55	Rear Sight Base
14	Hammer Spring Support	38	Slide Stop Plunger Elastic Retaining Pin	56	Rear Sight Windage Spindle Spring
15	Hammer Axis	39	Magazine Tube	57	Rear Sight Windage Spindle Retaining Pin
16	Hammer Lock	40	Magazine Follower	58	Recoil Spring Guide
17	Sear	41	Magazine Follower Spring	59	Recoil Spring Guide Coupling
18	Sear Axis	42	Magazine Floorplate	60	Recoil Spring Guide Coupling Locking Pin
19	Sear Spring			61	Recoil Spring Guide Washer
20	Trigger			62	Recoil Spring
21	Trigger Pin			63	Grip, Right
22	Trigger Spring			64	Grip, Left
23	Trigger Bar				
24	Trigger Bar Pin				



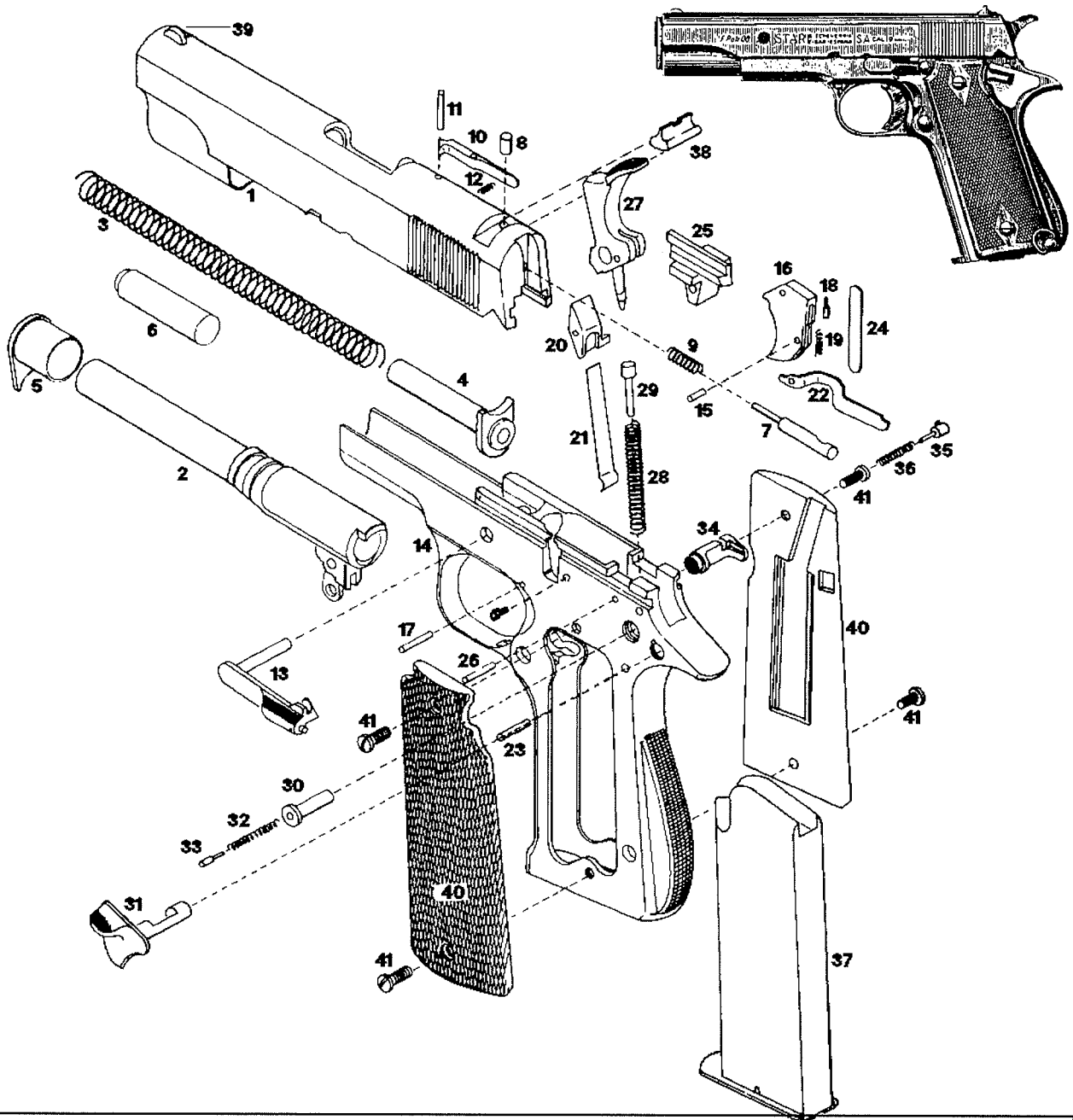
1	Slide	16	Sear Pin	31	Grip
2	Barrel with Front Sight	17	Ejector	32	Grip Screws
3	Recoil Spring	18	Ejector Pin	33	Sear Bar Pin
4	Firing Pin	19	Hammer with Strut and Pin	Parts Not Shown	
5	Firing Pin Retaining Pin	20	Hammer Spring		Extractor Plunger
6	Firing Pin Spring	21	Hammer Spring Plunger		Front Sight Screw
7	Extractor	22	Hammer Pin		Hammer Strut
8	Extractor Spring	23	Thumb Safety		Hammer Strut Pin
9	Slide Retainer	24	Safety Spring		Rear Sight Screw
10	Slide Retainer Spring	25	Safety Plunger		Sear Spring
11	Trigger	26	Magazine Catch		Slide Stop
12	Trigger Pin	27	Magazine Catch Lock		Trigger Plunger
13	Trigger Plunger Spring	28	Magazine Catch Lock Spring		
14	Sear	29	Magazine Assembly		
15	Sear Bar	30	Rear Sight		

Model FM Auto

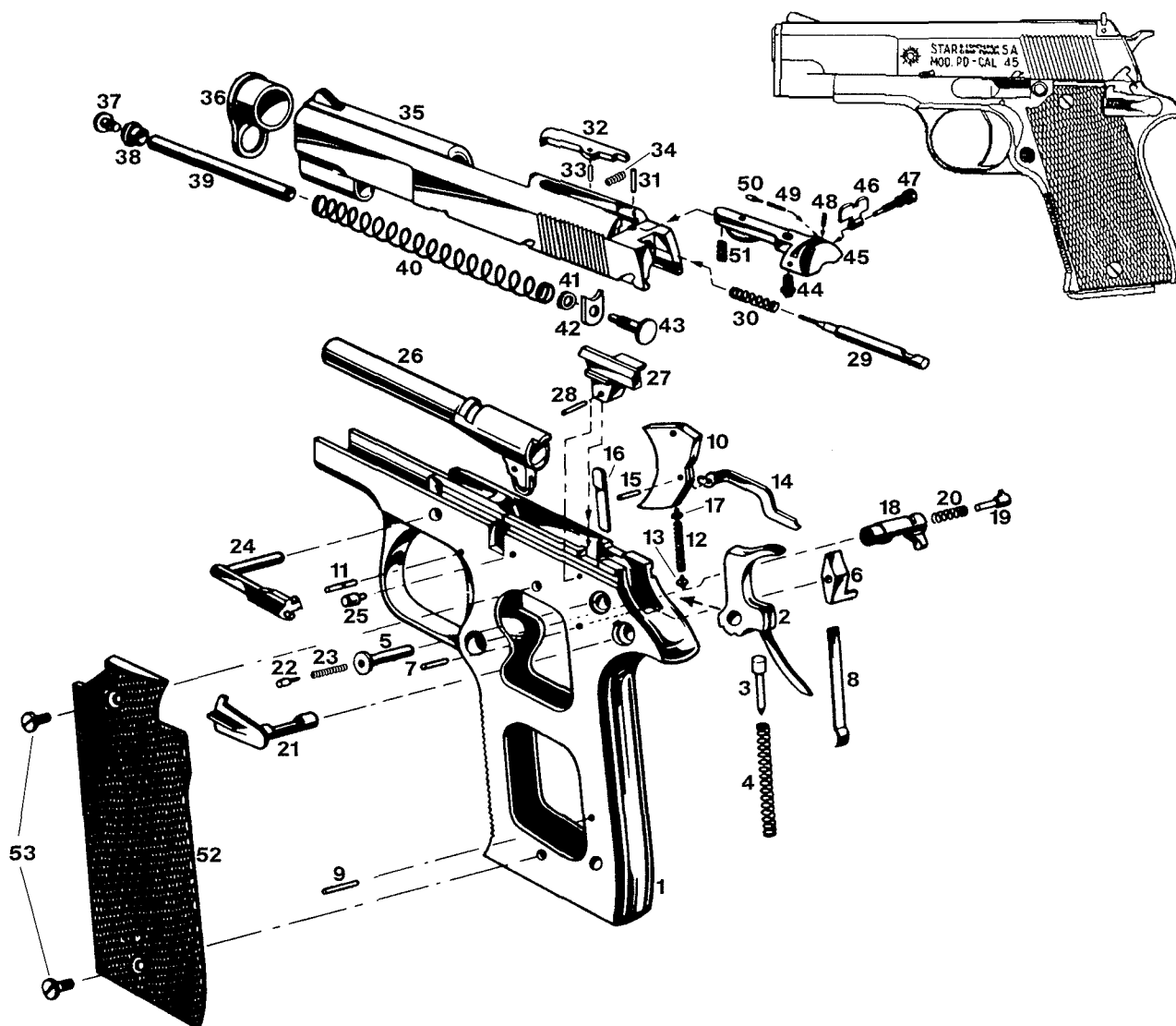


1	Frame	19	Magazine Catch	37	Barrel
2	Ejector	20	Magazine Catch Lock	38	Slide
3	Ejector Pin	21	Magazine Catch Spring	39	Extractor
4	Hammer with Strut and Pin	22	Magazine Safety	40	Extractor Plunger
5	Hammer Strut	23	Thumb Safety	41	Extractor Plunger Spring
6	Hammer Spring	24	Safety Plunger	42	Firing Pin
7	Hammer Spring Plunger	25	Safety Spring	43	Firing Pin Retaining Pin
8	Hammer Spring Guide	26	Slide Stop	44	Firing Pin Spring
9	Sear	27	Slide Stop Plunger	45	Rear Sight Blade
10	Sear Pin	28	Slide Stop Plunger Spring	46	Rear Sight Screw
11	Sear Spring	29	Slide Retainer	47	Rear Sight Base
12	Sear Spring Retaining Pin	30	Slide Retainer Spring	48	Rear Sight Spring
13	Trigger	31	Magazine Tube	49	Recoil Spring Guide
14	Trigger Pin	32	Magazine Follower	50	Recoil Spring
15	Trigger Plunger Spring	33	Magazine Follower Spring	51	Grip, Right
16	Trigger Plunger	34	Magazine Floorplate	52	Grip, Left
17	Sear Bar	35	Magazine Floorplate Release	53	Grip Screws
18	Sear Bar Pin	36	Magazine Follower Button		

Model P, A and B Auto



1	Slide	15	Sear Bar Pin	29	Hammer Spring Plunger
2	Barrel with Link and Pin	16	Trigger	30	Hammer Pin
3	Recoil Spring	17	Trigger Pin	31	Thumb Safety
4	Recoil Spring Guide	18	Trigger Plunger	32	Safety Spring
5	Barrel Bushing	19	Trigger Plunger Spring	33	Safety Plunger
6	Recoil Spring Plug	20	Sear	34	Magazine Catch
7	Firing Pin	21	Sear Spring	35	Magazine Catch Lock
8	Firing Pin Retaining Pin	22	Sear Bar	36	Magazine Catch Lock Spring
9	Firing Pin Spring	23	Sear Pin	37	Magazine Assembly
10	Extractor	24	Disconnecter	38	Rear Sight
11	Extractor Pin	25	Ejector	39	Front Sight
12	Extractor Spring	26	Ejector Pin	40	Grips
13	Slide Stop	27	Hammer with Strut and Pin	41	Grip Screws
14	Slide Stop Plunger Screw	28	Hammer Spring		

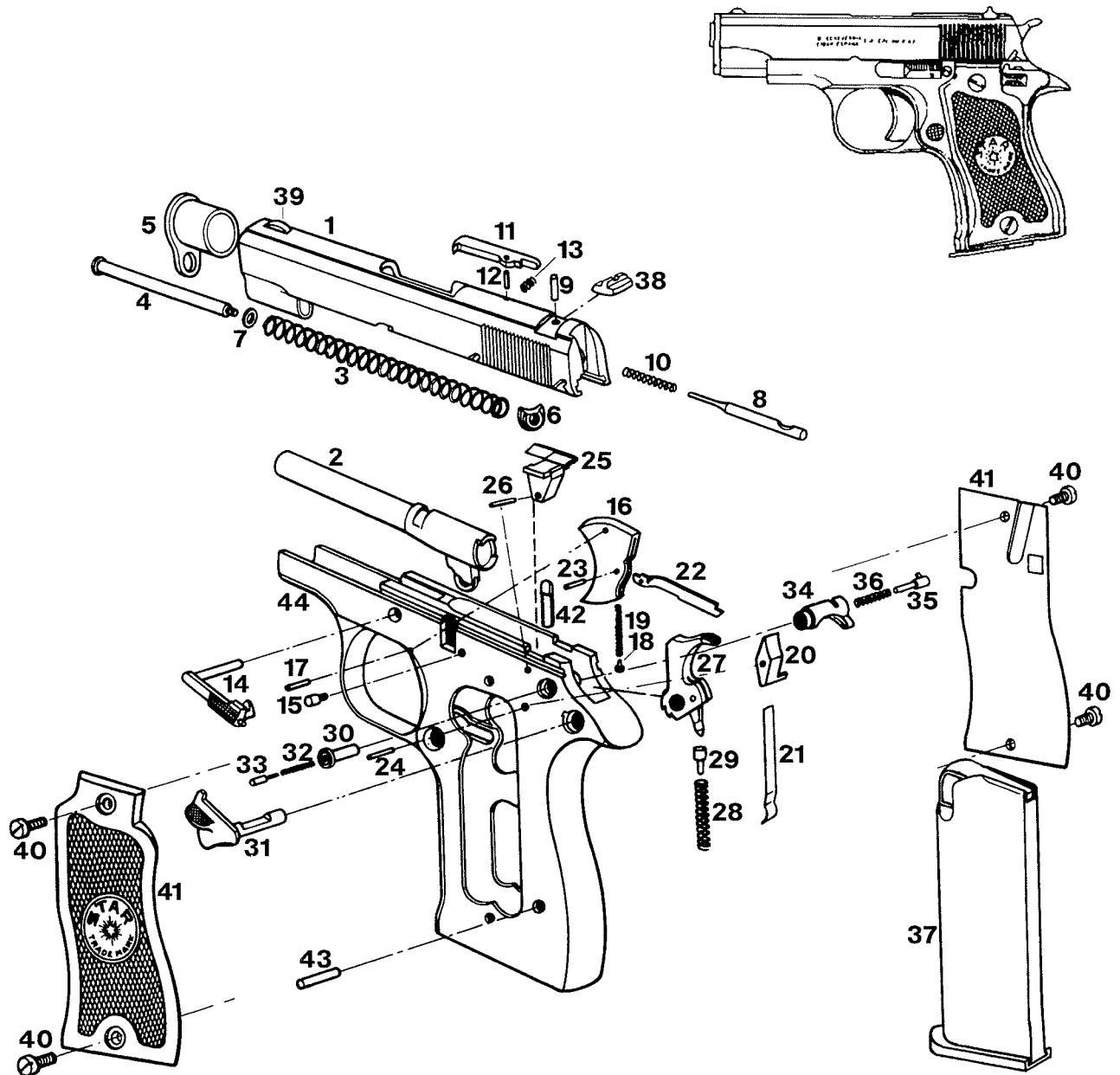


1	Frame	22	Thumb Safety Plunger	42	Recoil Spring Guide Buffer
2	Hammer and Strut	23	Safety Plunger Spring	43	Recoil Spring Guide Head
3	Hammer Spring Plunger	24	Slide Stop	44	Rear Sight Elevation Screw
4	Hammer Spring	25	Slide Stop Screw Button	45	Rear Sight Base
5	Hammer Pin	26	Barrel with Link and Pin	46	Rear Sight Leaf
6	Sear	27	Ejector	47	Rear Sight Windage Spindle
7	Sear Pin	28	Ejector Pin	48	Rear Sight Windage Spindle Retaining Pin
8	Sear Spring	29	Firing Pin	49	Rear Sight Windage Spindle Plunger Spring
9	Sear Spring Retaining Pin	30	Firing Pin Spring	50	Rear Sight Windage Spindle Plunger
10	Trigger	31	Firing Pin Retaining Pin	51	Rear Sight Elevation Spring
11	Trigger Pin	32	Extractor	52	Grips
12	Trigger Plunger Spring	33	Extractor Pin	53	Grip Screws
13	Trigger Plunger	34	Extractor Spring		
14	Sear Bar	35	Slide with Front Sight		
15	Sear Bar Pin	36	Barrel Bushing		
16	Disconnecter	37	Recoil Spring Guide Plug		
17	Trigger Pin Retaining Plunger	38	Recoil Spring Guide Washer		
18	Magazine Catch	39	Recoil Spring Guide		
19	Magazine Catch Lock	40	Recoil Spring		
20	Magazine Catch Lock Spring	41	Recoil Spring Guide Buffer Bearing Washer		
21	Thumb Safety				

Parts Not Shown

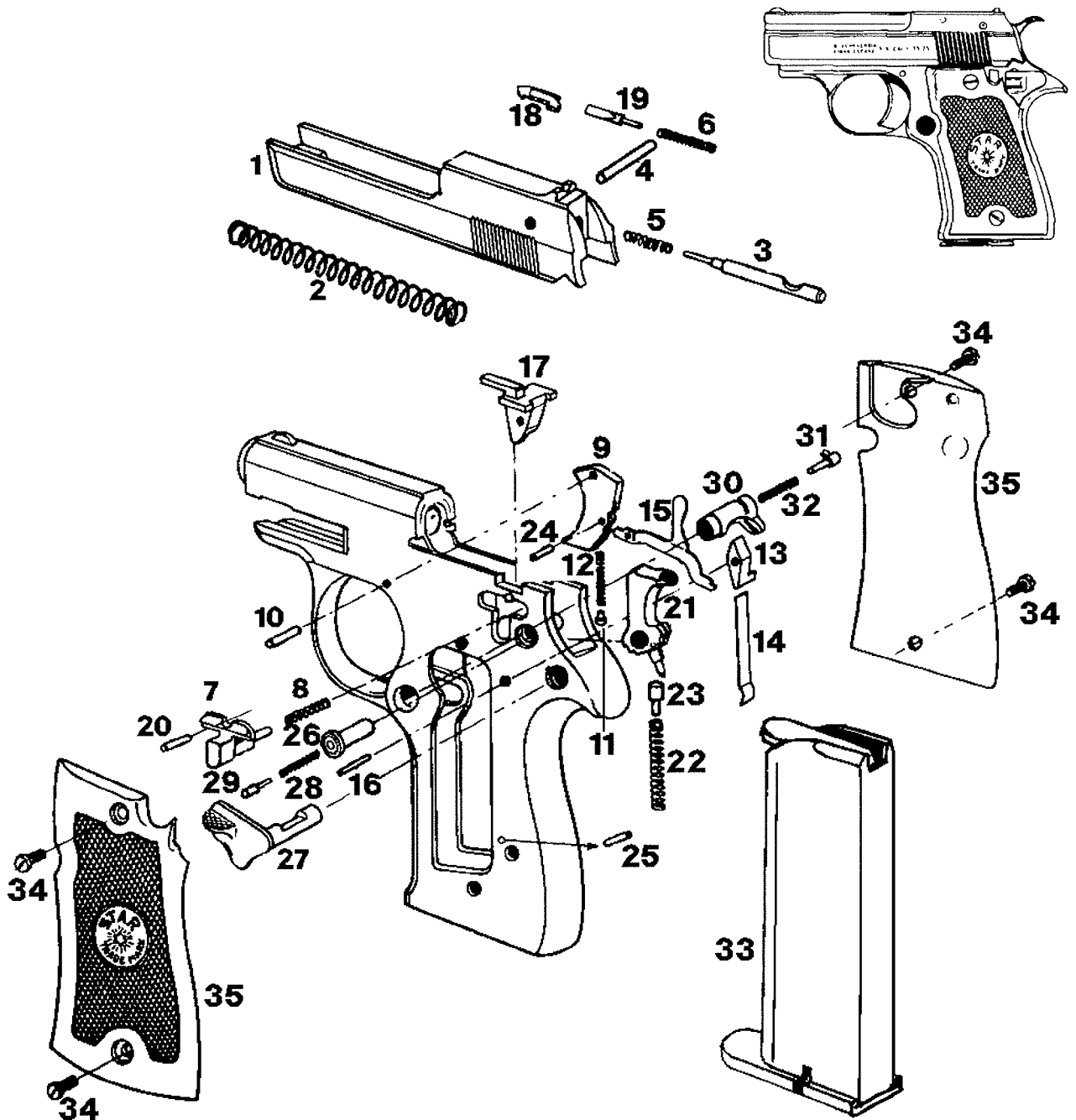
- Slide Stop Plunger
- Slide Stop Plunger Spring
- Slide Stop Plunger Pin

Starfire Auto (also Firearms International Model D)



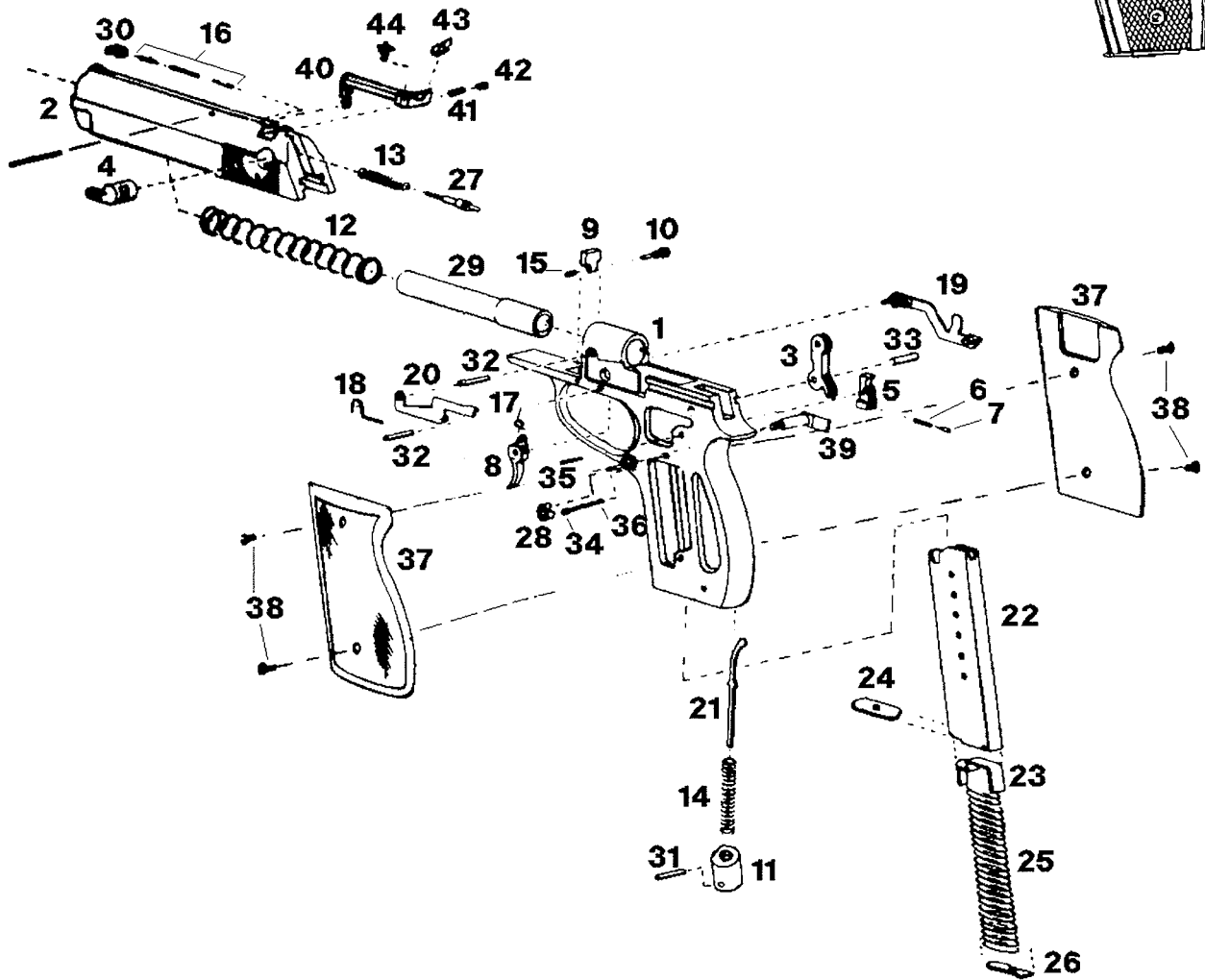
1	Slide	16	Trigger	31	Thumb Safety
2	Barrel with Link and Pin	17	Trigger Pin	32	Safety Spring
3	Recoil Spring	18	Trigger Plunger	33	Safety Plunger
4	Recoil Spring Guide	19	Trigger Plunger Spring	34	Magazine Catch
5	Barrel Bushing	20	Sear	35	Magazine Catch Lock
6	Recoil Spring Guide Head	21	Sear Spring	36	Magazine Catch Lock Spring
7	Recoil Spring Guide Washer	22	Sear Bar	37	Magazine Assembly
8	Firing Pin	23	Sear Bar Pin	38	Rear Sight
9	Firing Pin Retaining Pin	24	Sear Pin	39	Front Sight
10	Firing Pin Spring	25	Ejector	40	Grip Screws
11	Extractor	26	Ejector Pin	41	Grips
12	Extractor Pin	27	Hammer with Strut and Pin	42	Disconnecter
13	Extractor Spring	28	Hammer Spring	43	Sear Spring Retaining Pin
14	Slide Stop	29	Hammer Spring Plunger	44	Frame
15	Slide Stop Plunger Screw	30	Hammer Pin		

Starlet Auto



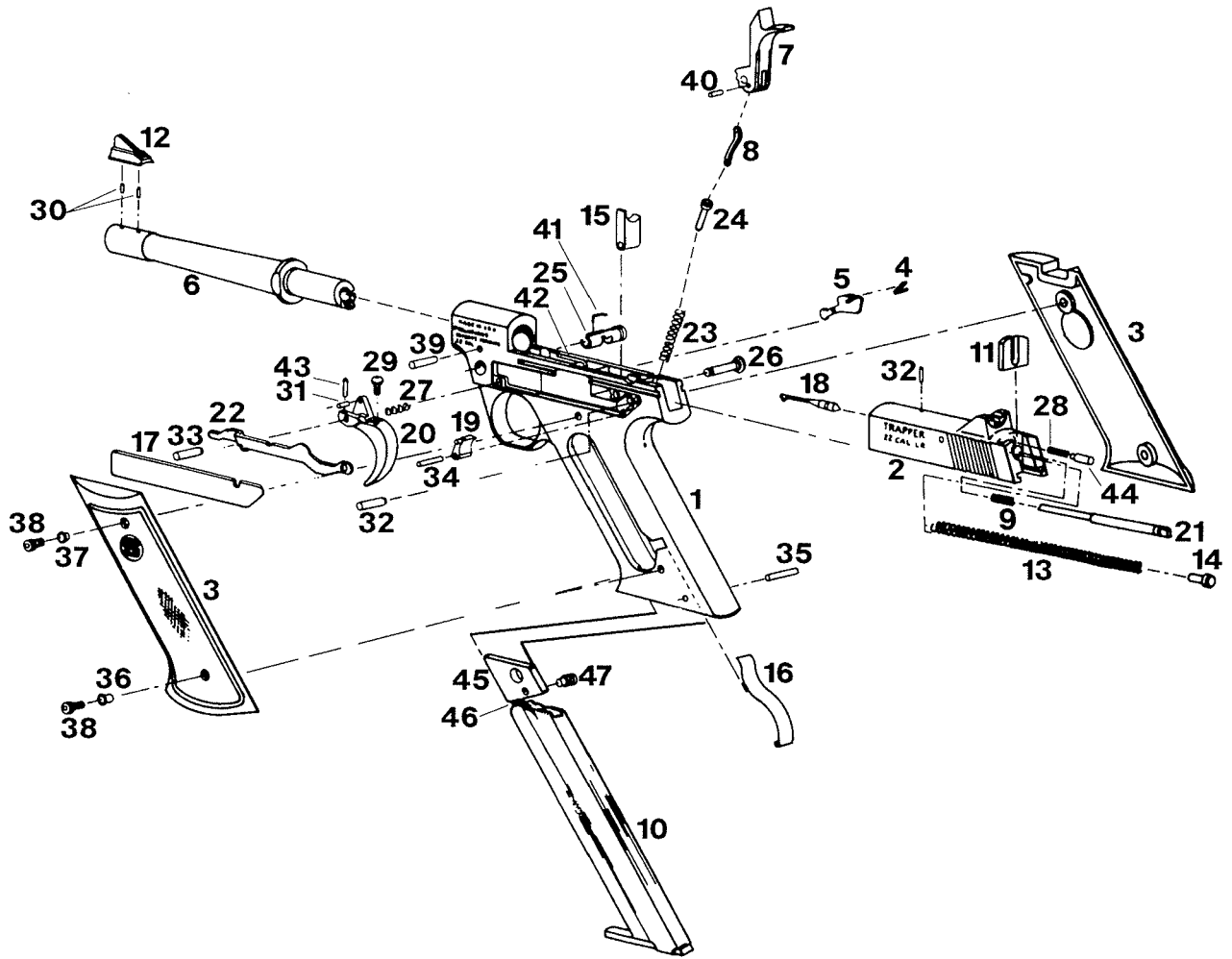
1	Slide	13	Sear	25	Hammer Spring Pin
2	Recoil Spring	14	Sear Spring	26	Hammer Pin
3	Firing Pin	15	Sear Bar	27	Thumb Safety
4	Firing Pin Retaining Pin	16	Sear Pin	28	Safety Spring
5	Firing Pin Spring	17	Ejector	29	Safety Plunger
6	Extractor Spring	18	Extractor	30	Magazine Catch
7	Slide Retainer	19	Extractor Plunger	31	Magazine Catch Lock
8	Slide Retainer Spring	20	Ejector Pin	32	Magazine Catch Lock Spring
9	Trigger	21	Hammer with Strut and Pin	33	Magazine Assembly
10	Trigger Pin	22	Hammer Spring	34	Grip Screws
11	Trigger Plunger	23	Hammer Spring Plunger	35	Grips
12	Trigger Plunger Spring	24	Hammer Connector Pin		

Model 400 Mk. II Auto

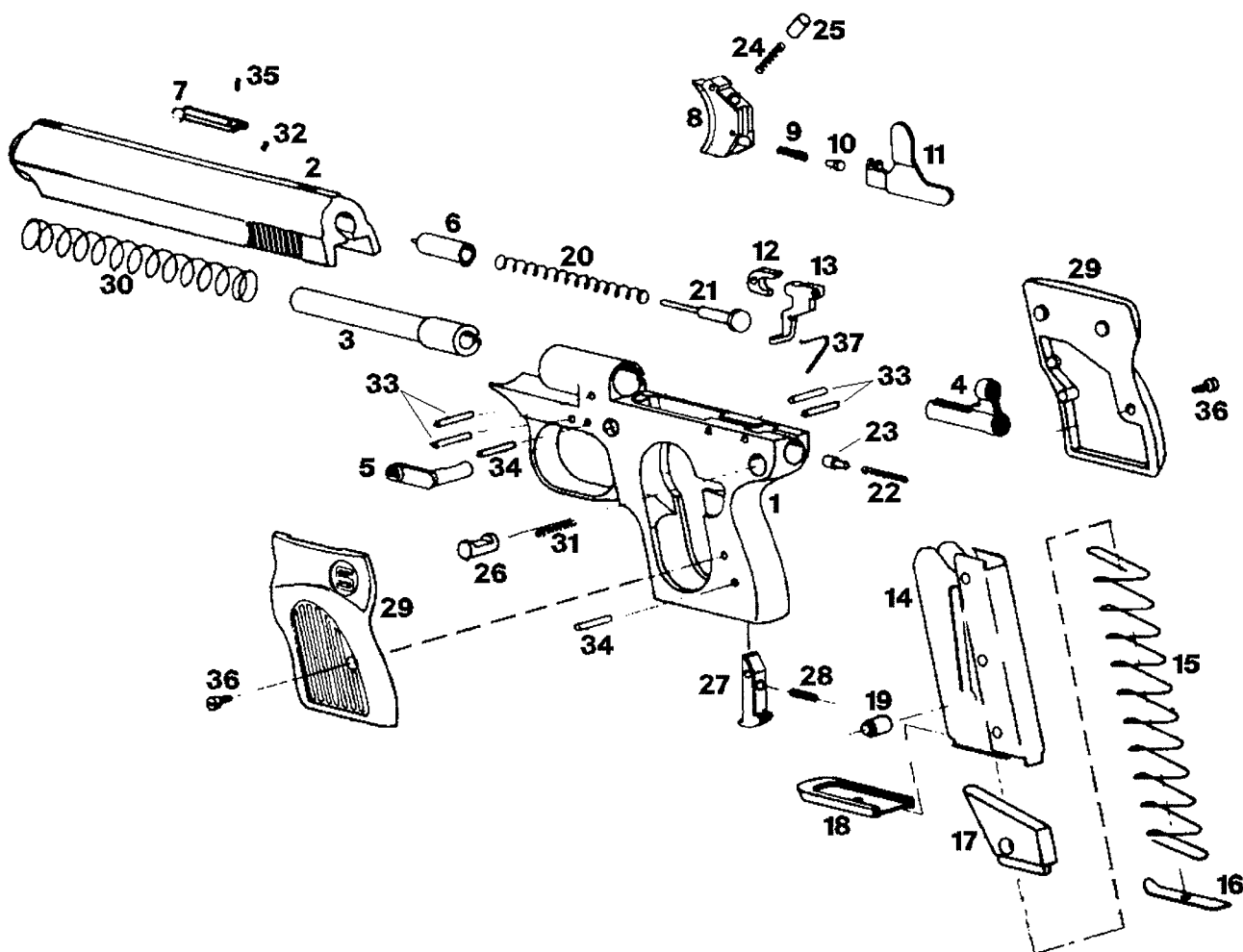
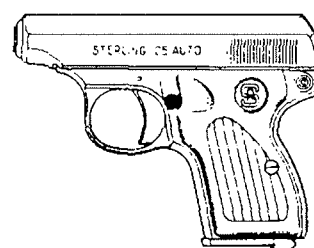


1	Frame	17	Trigger Bar Spring	33	Hammer Pin
2	Slide	18	Hold-Open Spring	34	Magazine Release Button Plunger
3	Hammer	19	Trigger Bar	35	Sear Pin
4	Safety	20	Hold-Open/Ejector	36	Magazine Release Button Plunger Spring
5	Sear	21	Hammer Strut	37	Grips
6	Sear Spring	22	Magazine	38	Grip Screws
7	Follower	23	Magazine Follower	39	Magazine Release Arm and Stud Assembly
8	Trigger	24	Magazine Floorplate Catch	40	Rear Sight Base
9	Takedown Block	25	Magazine Spring	41	Rear Sight Windage Spring
10	Takedown Shaft	26	Magazine Floorplate	42	Rear Sight Windage Screw
11	Mainspring Seat	27	Firing Pin	43	Rear Sight Blade
12	Recoil Spring	28	Magazine Release Button	44	Rear Sight Elevation Screw
13	Firing Pin Spring	29	Barrel		
14	Mainspring	30	Extractor		
15	Takedown Spring	31	Mainspring Seat Pin		
16	Extractor Spring and Followers	32	Trigger Pin		

Model 300 and 302 Auto

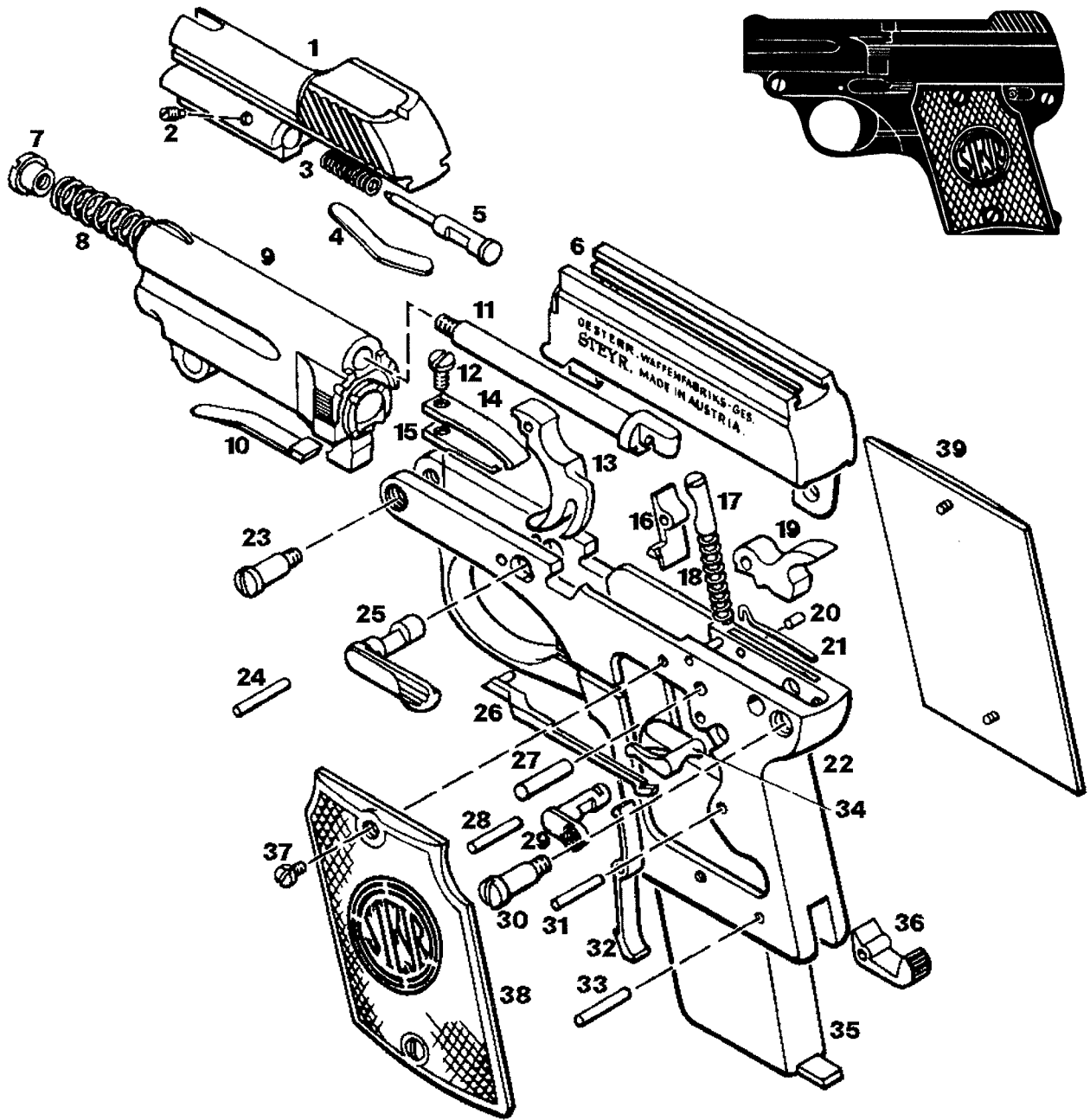


1	Receiver	17	Sideplate	32	Hammer
2	Slide	18	Extractor	33	Trigger Pin
3	Grips	19	Sear	34	Sear
4	Slide Hold-Open Latch Spring	20	Trigger	35	Magazine Locating Pins
5	Slide Hold-Open Latch	21	Firing Pin	36	Grip Screw Bushings, Lower
6	Barrel	22	Trigger Bar	37	Grip Screw Bushings, Upper
7	Hammer	23	Hammer Spring	38	Grip Screws
8	Hammer Strut	24	Hammer Spring Follower	39	Banner Receiver Pin
9	Firing Pin Spring	25	Safety Pin	40	Hammer Strut Pin
10	Magazine Body	26	Stop Lug Pin	41	Safety Friction Pin
11	Hammer Plate	27	Trigger	42	Ejector
12	Front Sight	28	Hammer Plate Springs	43	Trigger Bar Support Pin
13	Recoil Spring	29	Front Trigger Adjustable Screw	44	Hammer Plate Pin
14	Recoil Spring Follower	30	Front Sight Pins	45	Magazine Follower
15	Stop Lug	31	Trigger Disconnect and Extractor Pins	46	Magazine Follower Spring
16	Magazine Retainer Spring			47	Magazine Follower Pin



1	Frame	14	Magazine Body	26	Disconnect Button
2	Slide	15	Magazine Spring	27	Magazine Retainer
3	Barrel	16	Magazine Spring Follower Locking Plate	28	Magazine Retainer Spring
4	Hammer	17	Magazine Follower	29	Grips
5	Safety	18	Magazine Floorplate	30	Barrel Spring
6	Firing Pin	19	Magazine Loading Button	31	Disconnect Button Spring
7	Extractor	20	Firing Pin Spring	32	Extractor Spring
8	Trigger	21	Firing Pin Follower	33	Dowel Pins
9	Trigger Spring	22	Sear Cam Spring	34	Magazine Retainer Pin
10	Trigger Spring Plunger	23	Sear Cam Follower	35	Extractor Pin
11	Trigger Bar	24	Safety Spring	36	Grip Screws
12	Sear	25	Safety Follower	37	Sear Spring

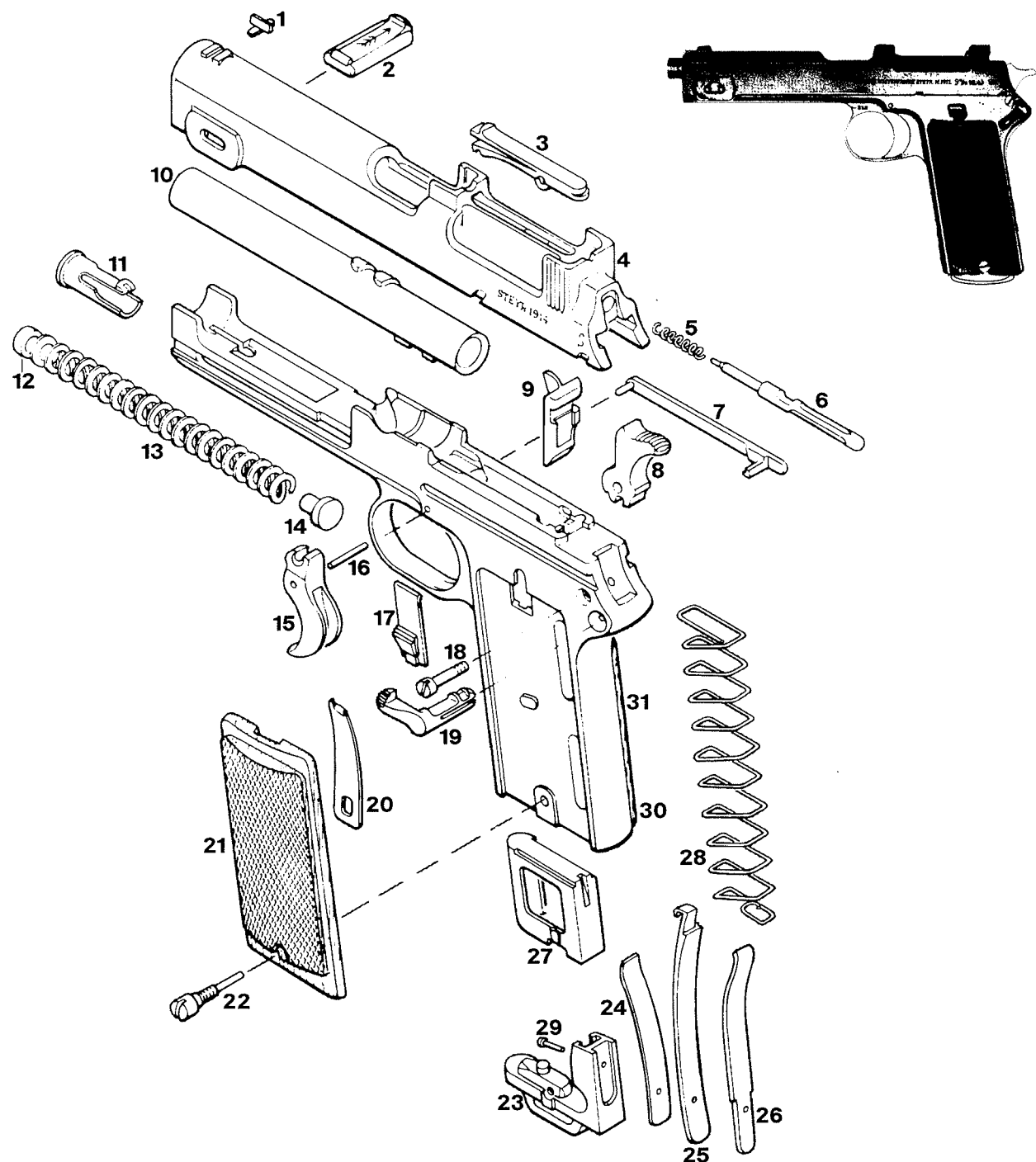
Model 1912 Auto



1	Breechblock	14	Barrel Latch Spring	27	Hammer Pivot
2	Firing Pin Retainer	15	Trigger Spring	28	Sear Pivot
3	Firing Pin Spring	16	Sear	29	Safety
4	Breechblock Tension Spring	17	Hammer Spring Assembly	30	Upper Frame Retainer
5	Firing Pin	18	Hammer Spring	31	Sear/Magazine Catch Spring Pin
6	Upper Frame	19	Hammer	32	Sear/Magazine Catch Spring
7	Recoil Spring Retainer	20	Safety Spring Retainer	33	Magazine Catch Pivot
8	Recoil Spring	21	Safety Spring	34	Disconnecter
9	Barrel	22	Frame	35	Magazine Assembly
10	Barrel Spring	23	Barrel Pivot	36	Magazine Catch
11	Recoil Spring Guide	24	Trigger Pin	37	Grip Screws
12	Spring Retainer	25	Barrel Latch	38	Left Grip Panel
13	Trigger	26	Trigger Bar	39	Right Grip Panel

Model 1908 Auto

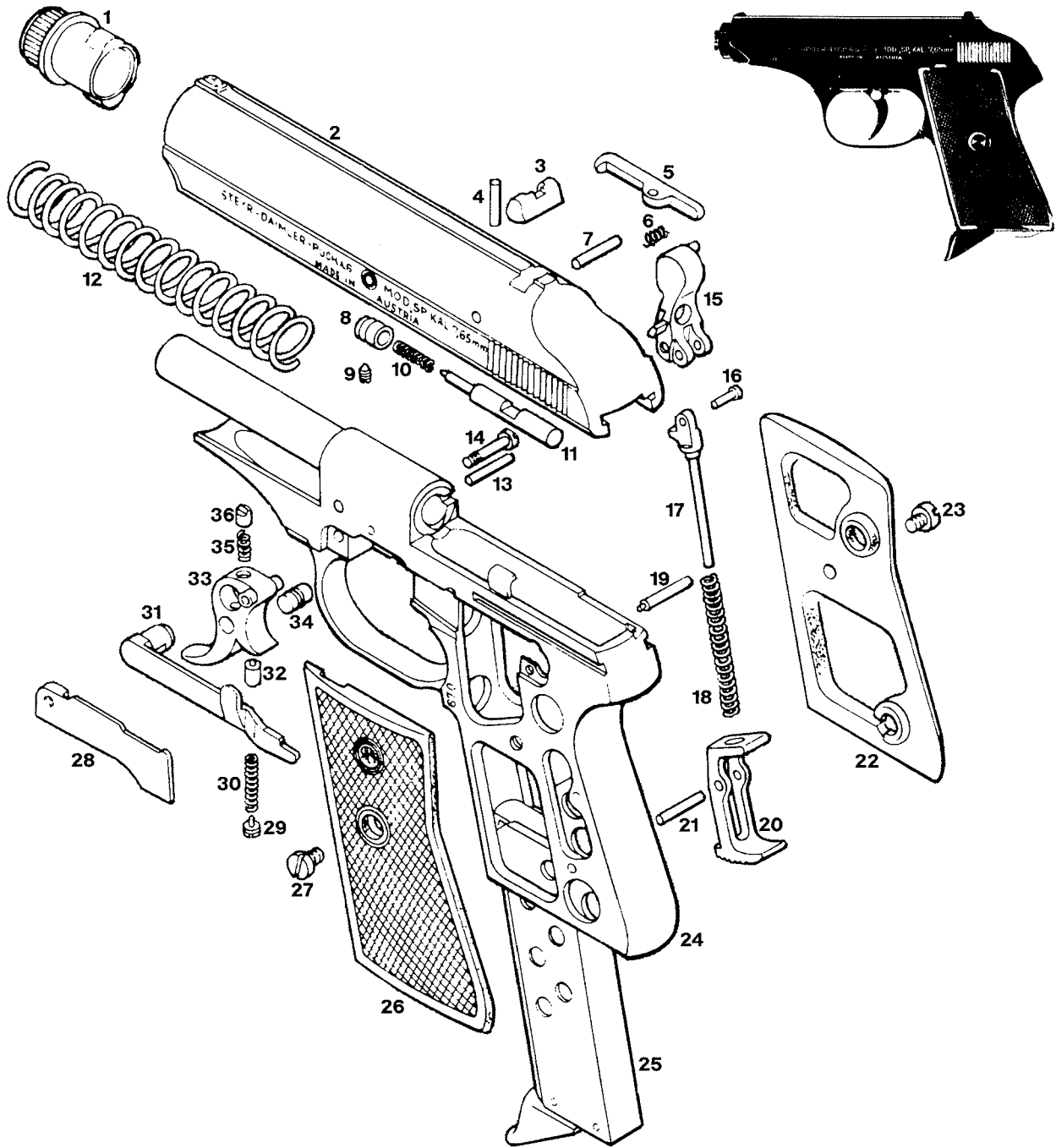
Courtesy of Blacksmith Corporation



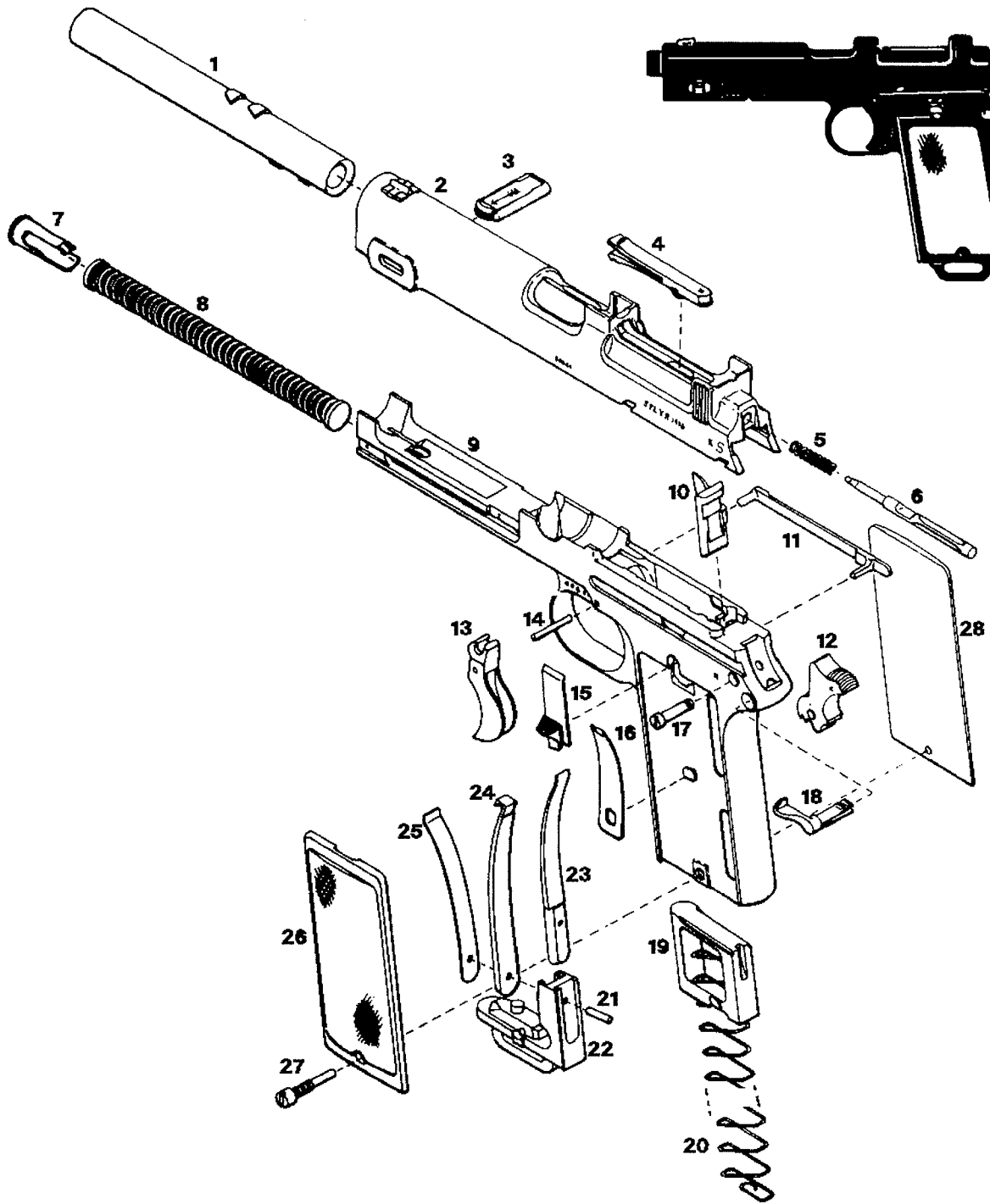
1	Front Sight	12	Front Recoil Spring Cap	23	Floorplate
2	Wedge	13	Recoil Spring	24	Disconnecter Spring
3	Extractor	14	Rear Recoil Spring Cap	25	Sear and Sear Spring
4	Slide	15	Trigger	26	Hammer Spring
5	Firing Pin Spring	16	Trigger Pin	27	Magazine Follower
6	Firing Pin	17	Cartridge Release	28	Magazine Spring
7	Trigger Bar	18	Hammer Screw	29	Spring Retainer Pin
8	Hammer	19	Safety	30	Receiver
9	Ejector and Disconnecter	20	Cartridge Release Spring	31	Right Grip
10	Barrel	21	Left Grip		
11	Recoil Spring Retainer	22	Grip and Floorplate Screw		

Model SP Auto

Courtesy of Blacksmith Corporation

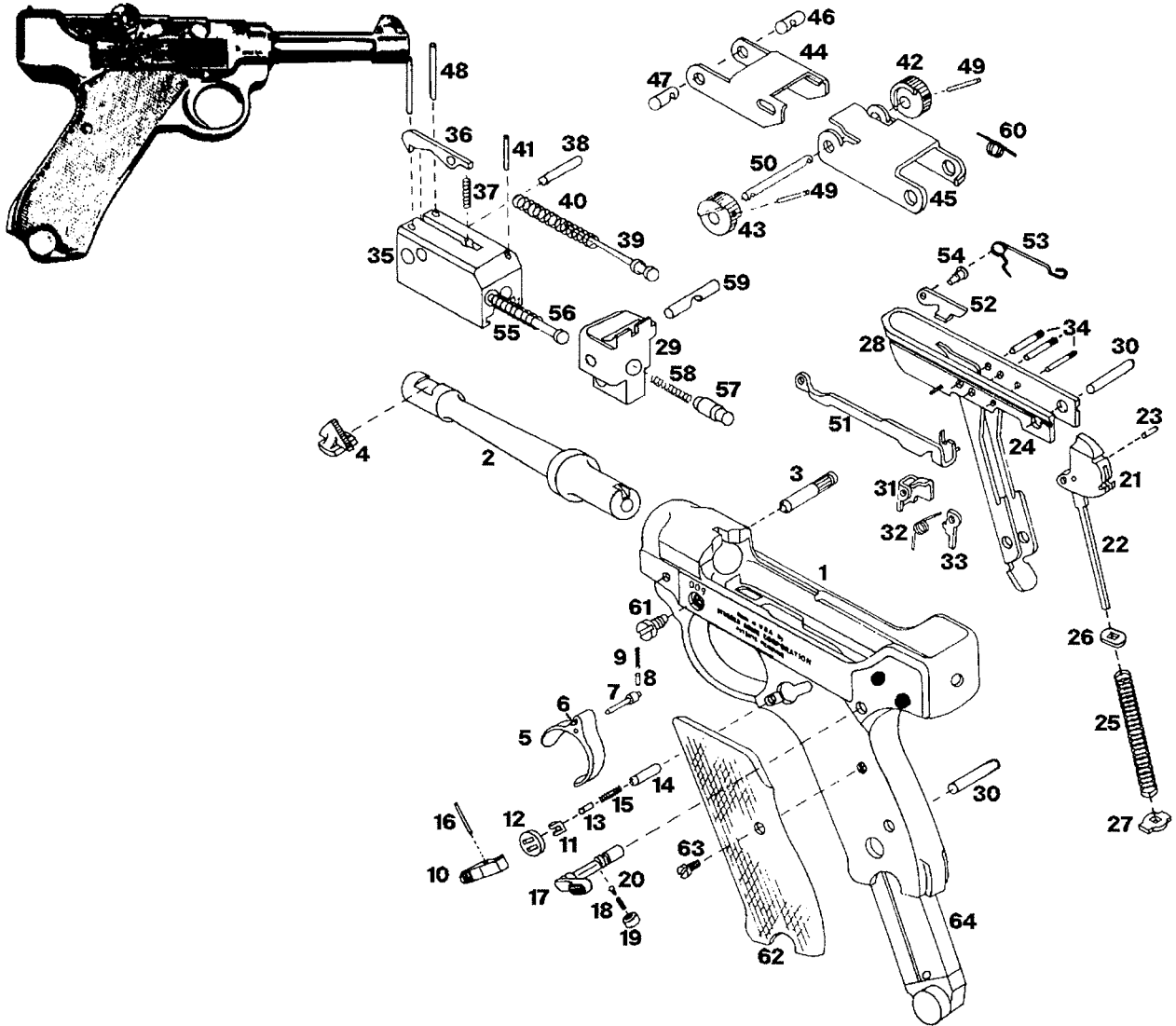


1	Barrel Bushing	13	Trigger Pin	25	Magazine Assembly
2	Slide	14	Sideplate Screw	26	Left Grip
3	Rear Sight	15	Hammer	27	Left Grip Screw
4	Extractor Pin	16	Hammer Strut Pin	28	Sideplate
5	Extractor	17	Hammer Strut	29	Trigger Spring Retaining Screw
6	Extractor Spring	18	Hammer Spring	30	Trigger Spring
7	Firing Pin Retaining Pin	19	Hammer Hinge Pin	31	Trigger Bar
8	Firing Pin Bushing	20	Magazine Catch	32	Trigger Spring Follower
9	Firing Pin Bushing Lock Screw	21	Magazine Catch Pin	33	Trigger
10	Firing Pin Spring	22	Right Grip Panel	34	Safety Catch
11	Firing Pin	23	Right Grip Screw	35	Safety Catch Spring
12	Recoil Spring	24	Frame	36	Safety Catch Detent

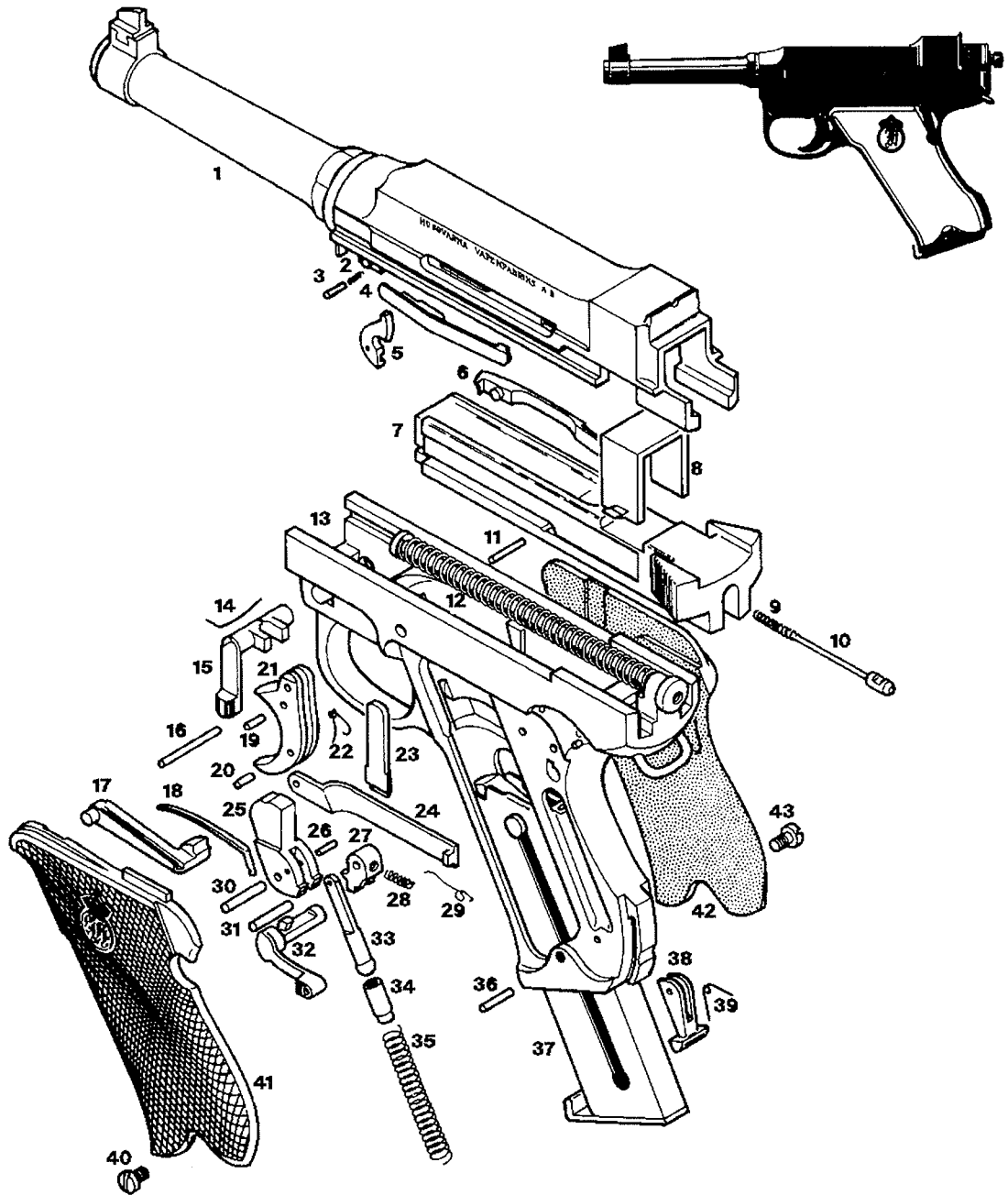


1	Barrel	11	Trigger Bar	21	Spring Retainer Pin
2	Slide	12	Hammer	22	Magazine Floorplate
3	Slide Wedge	13	Trigger	23	Hammer Spring
4	Extractor	14	Trigger Pin	24	Sear and Sear Spring
5	Firing Pin Spring	15	Cartridge Release	25	Disconnecter Spring
6	Firing Pin	16	Cartridge Release Spring	26	Left Grip Panel
7	Recoil Spring Retainer	17	Hammer Screw	27	Grip Screw
8	Recoil Spring with Caps	18	Safety	28	Right Grip Panel
9	Frame	19	Magazine Follower		
10	Ejector and Disconnecter	20	Magazine Spring		

Luger Auto

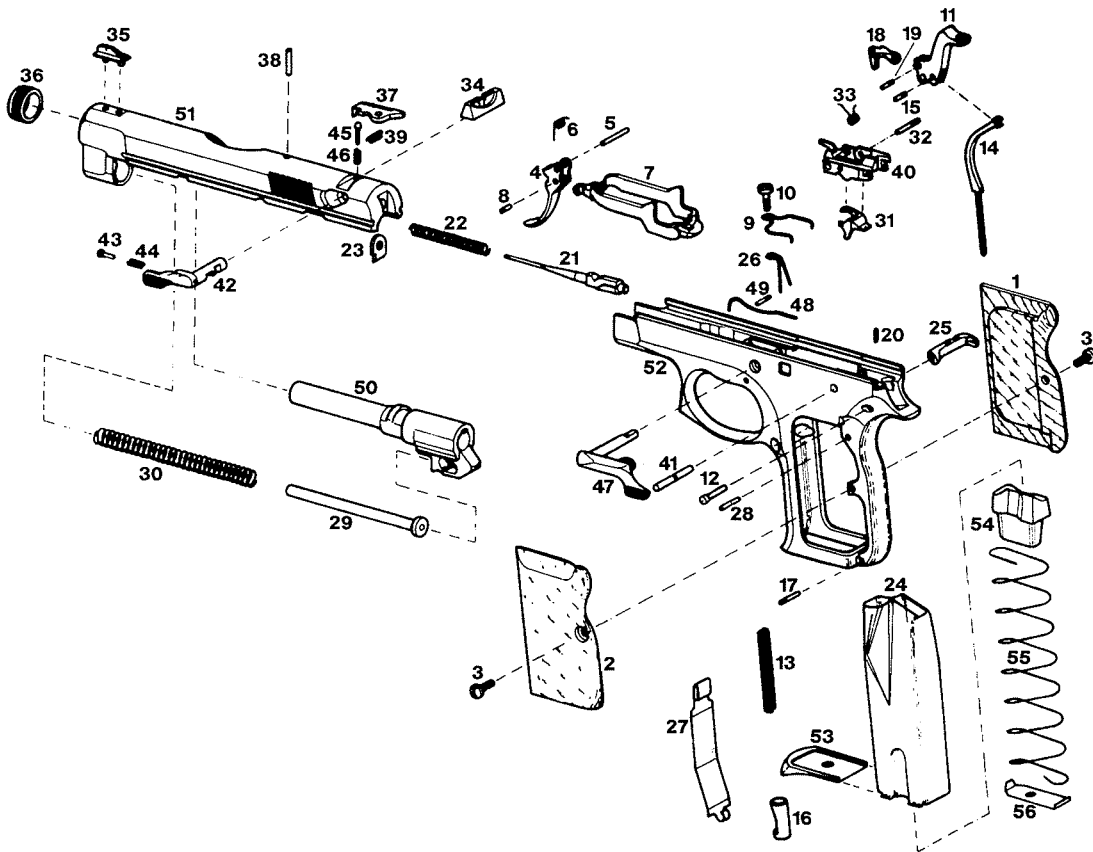


1	Frame	23	Hammer Strut Pin	45	Rear Toggle
2	Barrel	24	Magazine Guide	46	Right Front Toggle Pin
3	Barrel Retaining Pin	25	Hammer Spring	47	Left Front Toggle Pin
4	Front Sight	26	Hammer Spring Washer	48	Front Toggle Retaining Pins
5	Trigger	27	Hammer Strut Anchor Plate	49	Toggle Grip Retaining Pins
6	Trigger Roll Pin	28	Boltways	50	Toggle Link Pin
7	Trigger Pin	29	Boltways Block	51	Sear Bar
8	Trigger Plunger	30	Main Frame and Block Pins	52	Bolt Stop
9	Trigger Pin Plunger Spring	31	Sear	53	Bolt Stop Spring
10	Magazine Catch	32	Sear Spring	54	Bolt Stop Retainer
11	Magazine Catch Anchor	33	Safety Shoe	55	Recoil Spring
12	Magazine Catch Anchor Plunger	34	Swagged Pins	56	Recoil Spring Guide
13	Magazine Catch Plunger	35	Bolt	57	Takedown Plunger
14	Magazine Catch Plunger Guide	36	Extractor	58	Takedown Plunger Spring
15	Magazine Catch Spring	37	Extractor Spring	59	Rear Toggle Pivot Pin
16	Magazine Catch Pin	38	Extractor Pin	60	Rear Toggle Spring
17	Safety Lever	39	Firing Pin	61	Sear Bar Retaining Screw
18	Safety Spring	40	Firing Pin Spring	62	Left Grip Panel
19	Safety Housing (Old Style)	41	Firing Pin Retaining Pin	63	Grip Screws
20	Safety Detent Plunger	42	Right Toggle Grip	64	Magazine Assembly
21	Hammer	43	Left Toggle Grip		
22	Hammer Strut	44	Front Toggle		
				Parts Not Shown	
				Right Grip Panel	



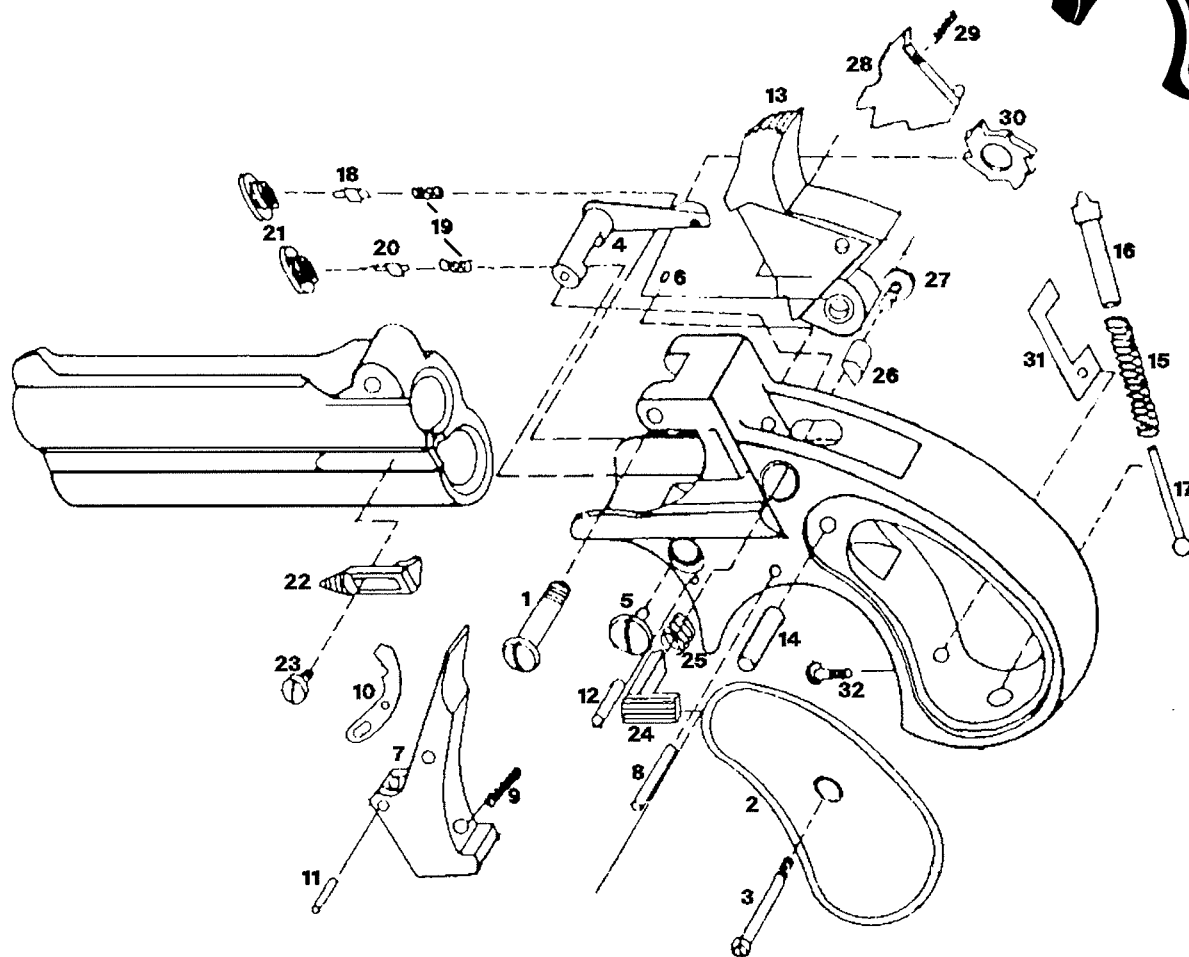
1	Barrel and Barrel Extension	16	Trigger Pin	31	Sear Pin
2	Accelerator Retaining Spring	17	Hold-Open Catch	32	Safety
3	Accelerator Retaining Pin	18	Hold-Open Catch Spring	33	Hammer Strut
4	Ejector	19	Trigger Spring Pin	34	Hammer Strut Plunger
5	Accelerator	20	Trigger Bar Pin	35	Hammer Spring
6	Extractor	21	Trigger	36	Magazine Catch Pin
7	Bolt	22	Trigger Spring	37	Magazine Assembly
8	Locking Block	23	Disconnecter	38	Magazine Catch
9	Firing Pin Spring	24	Trigger Bar	39	Magazine Catch Spring
10	Firing Pin	25	Hammer	40	Left Grip Screw
11	Firing Pin Retaining Pin	26	Hammer Strut Pin	41	Left Grip Panel
12	Recoil Spring and Guide	27	Sear	42	Right Grip Panel
13	Frame	28	Sear Spring	43	Right Grip Screw
14	Takedown Catch Spring	29	Trigger Bar Spring		
15	Takedown Catch	30	Hammer Pin		

BTA90 Auto



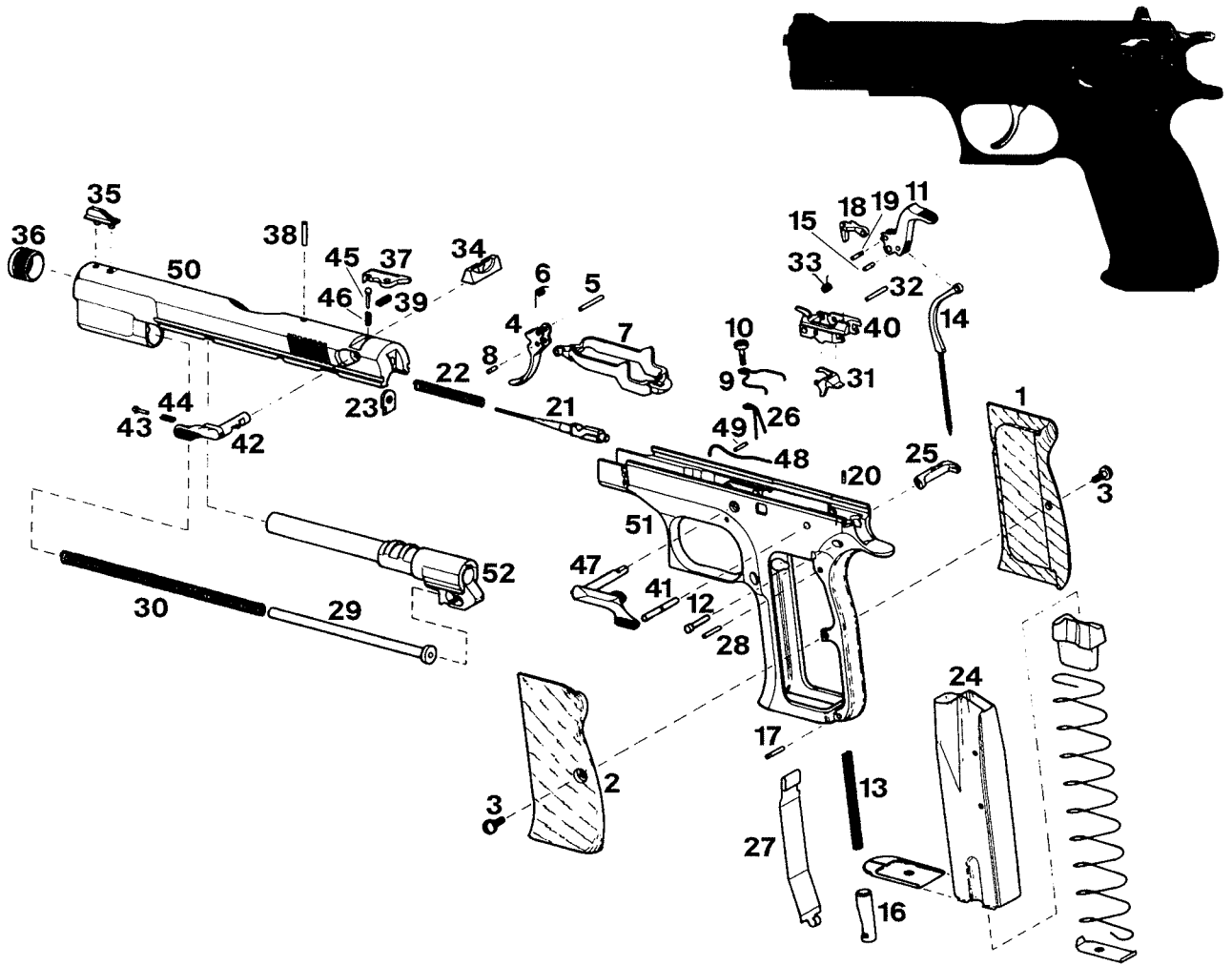
1	Right Grip	19	Interruptor Pin	38	Extractor Pin
2	Left Grip	20	Hammer Pin Retaining Pin	39	Extractor Spring
3	Grip Screws	21	Firing Pin	40	Sear Assembly Housing with Ejector
4	Trigger	22	Firing Pin Spring	41	Sear Assembly Housing Pin
5	Trigger Pin	23	Firing Pin Retainer Plate	42	Safety-Lever
6	Trigger Spring	24	Magazine Body	43	Safety-Lever Plunger
7	Trigger Bar	25	Magazine Catch	44	Safety-Lever Spring
8	Trigger Bar Pin	26	Magazine Catch Spring	45	Sear Safety
9	Trigger Bar Spring	27	Magazine Spring Plate	46	Sear Safety Spring
10	Trigger Bar and Magazine Catch Spring Screw	28	Magazine Spring Plate Pin	47	Slide Stop
11	Hammer	29	Recoil Spring Guide	48	Slide Stop Spring
12	Hammer Pin	30	Recoil Spring	49	Slide Stop Spring Pin
13	Mainspring	31	Sear	50	Barrel
14	Hammer Strut	32	Sear Pin	51	Slide
15	Hammer Strut Pin	33	Sear Spring	52	Frame
16	Hammer Spring Cup	34	Rear Sight	53	Magazine Base Plate
17	Hammer Spring Cup Pin	35	Front Sight	54	Magazine Follower
18	Interruptor	36	Barrel Bushing	55	Magazine Spring
		37	Extractor	56	Magazine Base Plate Retainer

TA38S Derringer

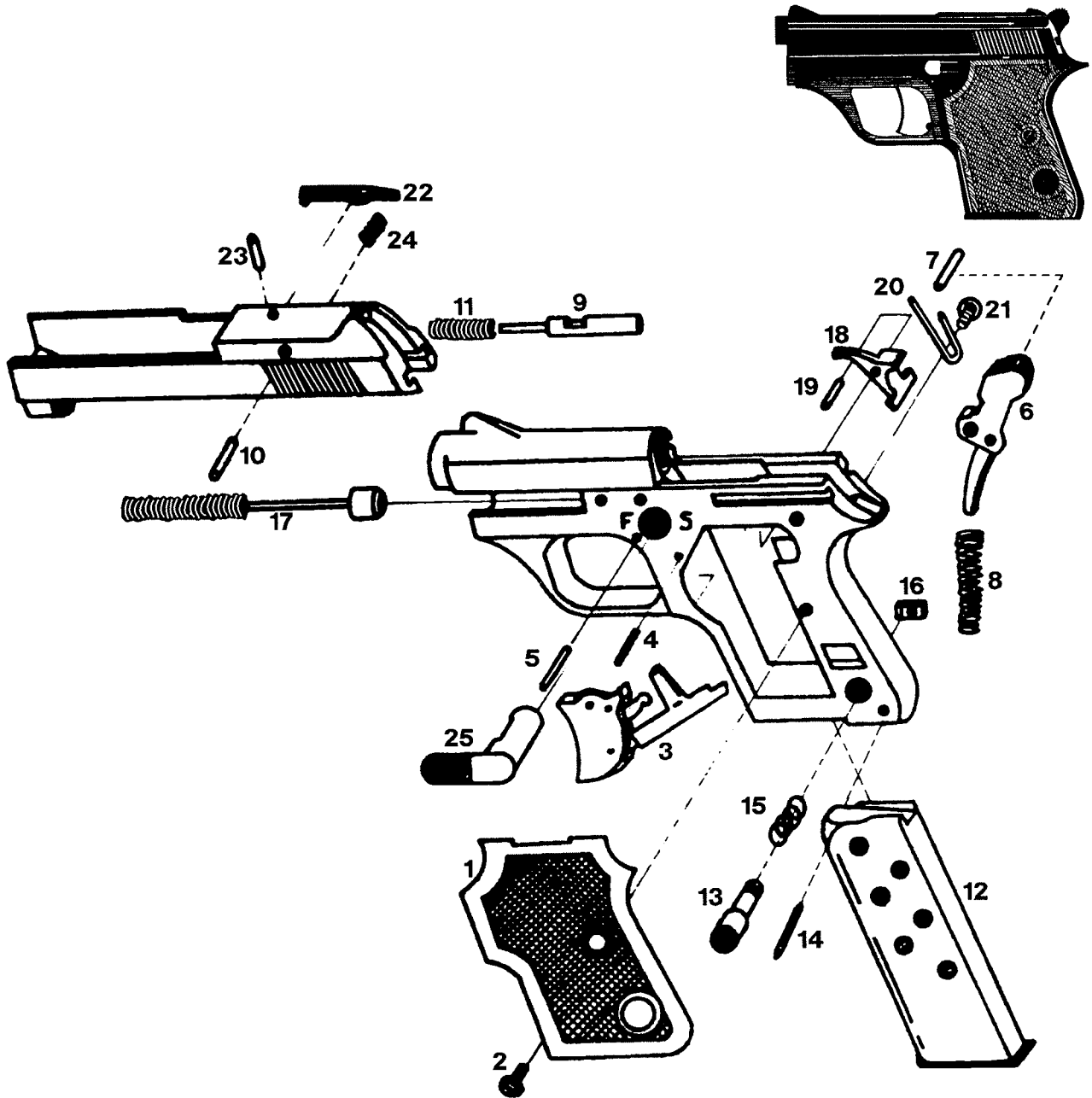


1	Barrel Screw	13	Hammer	25	Safety-Lever Spring
2	Left Grip	14	Hammer Pin	26	Safety Insert
3	Grip Screw	15	Mainspring	27	Safety Screw
4	Barrel Latch	16	Mainspring Plunger	28	Barrel Selector
5	Barrel Latch Screw	17	Mainspring Guide	29	Selector Spring
6	Barrel Latch Stop	18	Upper Firing Pin	30	Selector Cam
7	Trigger	19	Firing Pin Springs	31	Selector Cam Spring
8	Trigger Pin	20	Lower Firing Pin	32	Selector Cam Spring Screw
9	Trigger Spring	21	Recoil Plates		
10	Barrel Interlock	22	Extractor	Parts Not Shown	
11	Interlock Pin	23	Extractor Screw		Right Grip
12	Pivot Pin	24	Safety-Lever		Selector Spring Screw Nut

TA90 Auto

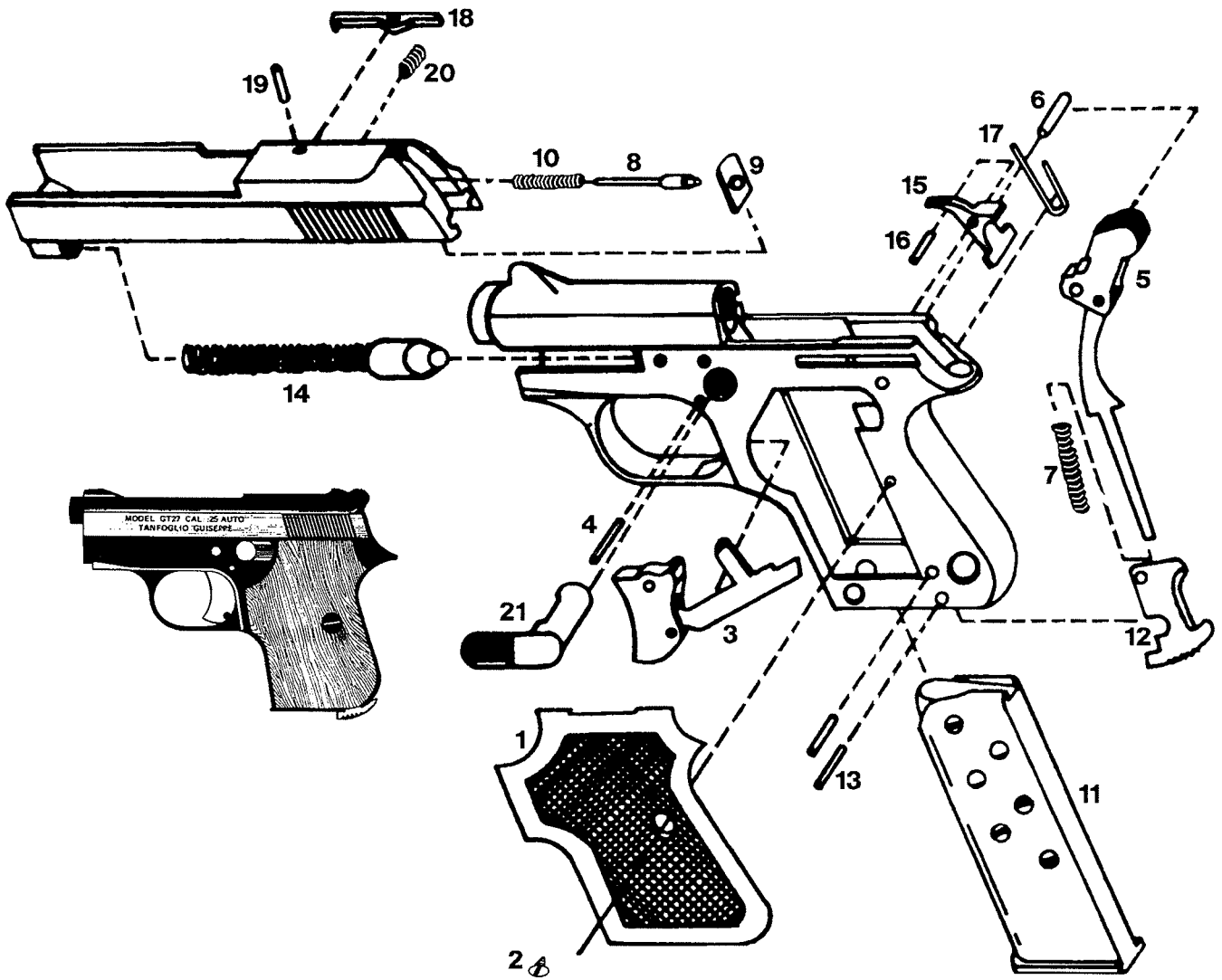


1	Right Grip	18	Interruptor	36	Barrel Bushing
2	Left Grip	19	Interruptor Pin	37	Extractor
3	Grip Screws	20	Hammer Pin Retaining Pin	38	Extractor Pin
4	Trigger	21	Firing Pin	39	Extractor Spring
5	Trigger Pin	22	Firing Pin Spring	40	Sear Assembly Housing with Ejector
6	Trigger Spring	23	Firing Pin Retaining Plate	41	Sear Assembly Housing Pin
7	Trigger Bar	24	Magazine	42	Firing Pin Safety
8	Trigger Bar Pin	25	Magazine Catch	43	Firing Pin Safety Plunger
9	Trigger Bar Spring	26	Magazine Catch Spring	44	Firing Pin Safety Spring
10	Trigger Bar and Magazine Catch Spring Screws	27	Magazine Security Spring Plate	45	Sear Safety
11	Hammer	28	Magazine Security Spring Plate Pin	46	Sear Safety Spring
12	Hammer Pin	29	Recoil Spring Guide	47	Slide Stop Pin
13	Hammer Spring	30	Recoil Spring	48	Slide Stop Spring
14	Hammer Strut	31	Sear	49	Slide Stop Spring Pin
15	Hammer Strut Pin	32	Sear Pin	50	Slide
16	Hammer Spring Cup	33	Sear Spring	51	Frame
17	Hammer Spring Cup Interruptor	34	Rear Sight	52	Barrel
		35	Front Sight		



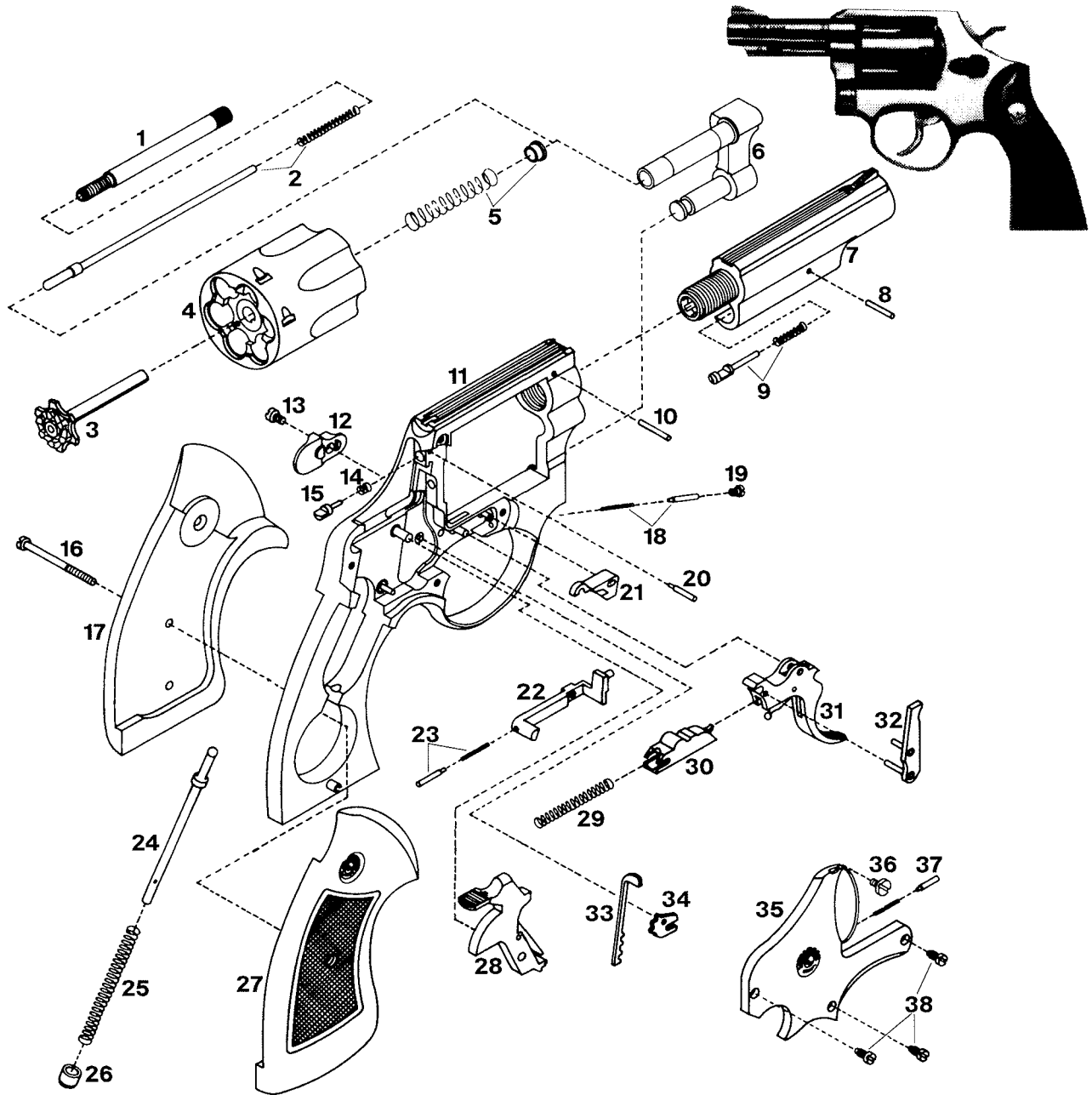
1	Grip	14	Grip Retaining Pin
2	Grip Screw	15	Magazine Catch Spring
3	Trigger Assembly	16	Magazine Catch Nut
4	Trigger Pin	17	Recoil Spring Assembly
5	Safety Pin	18	Sear/Ejector Lever
6	Hammer Assembly	19	Sear Pin
7	Hammer Pin	20	Sear Spring
8	Mainspring	21	Sear Spring Screw
9	Firing Pin	22	Extractor
10	Firing Pin Retaining Pin	23	Extractor Pin
11	Firing Pin Spring	24	Extractor Spring
12	Magazine Assembly	25	Thumb Safety-Lever
13	Magazine Catch		

GT27B and GT27C Auto



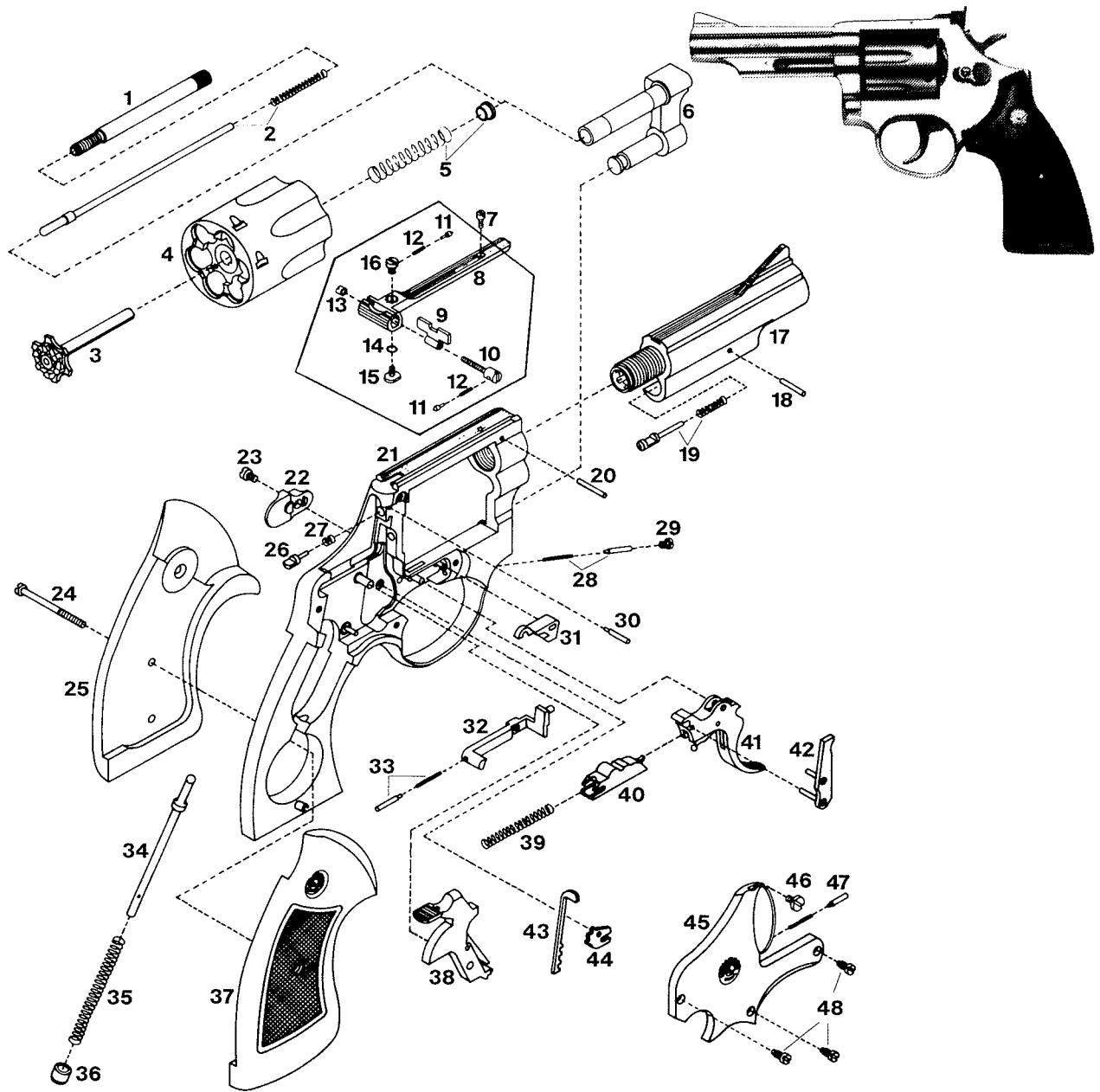
1	Grip	13	Catch Pins
2	Grip Screw	14	Recoil Assembly
3	Trigger Assembly	15	Sear/Ejector
4	Trigger Pin	16	Sear Pin
5	Hammer Assembly	17	Sear Spring
6	Hammer Pin	18	Extractor
7	Mainspring	19	Extractor Pin
8	Firing Pin	20	Extractor Spring
9	Retaining Plate	21	Thumb Safety-Lever
10	Firing Pin Spring		
11	Magazine Assembly		
12	Magazine Catch		
		Parts Not Shown	
			Sear Spring Screw

Model 65 Revolver



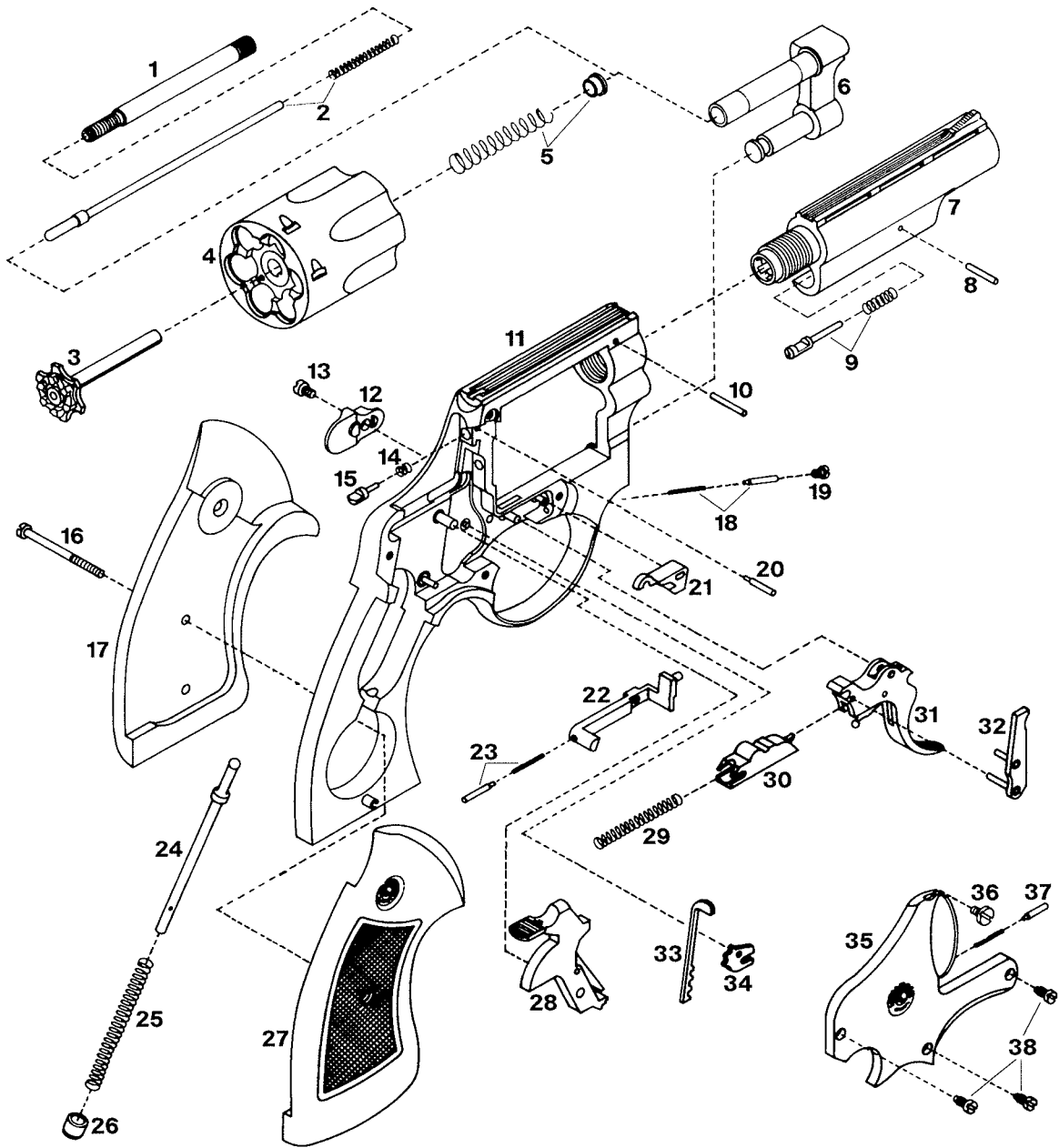
1	Extractor Rod	14	Firing Pin Spring	27	Right Stock
2	Center Pin with Spring	15	Firing Pin	28	Hammer
3	Extractor	16	Stock Screw	29	Trigger Spring
4	Cylinder	17	Left Stock	30	Rebound Slide
5	Extractor Spring with Rod Collar	18	Cylinder Stop Plunger with Spring	31	Trigger
6	Yoke	19	Cylinder Stop Screw	32	Hand
7	Barrel	20	Firing Pin Retaining Pin	33	Hammer Block
8	Locking Bolt Pin	21	Cylinder Stop	34	Gear
9	Locking Bolt with Spring	22	Bolt	35	Sideplate
10	Barrel Pin	23	Bolt Pin with Spring	36	Sideplate Short Screw
11	Frame	24	Mainspring Center Pin	37	Hand Pin with Spring
12	Thumb-Piece	25	Mainspring	38	Sideplate Long Screws
13	Thumb-Piece Screw	26	Mainspring Bushing		

Model 66 Revolver



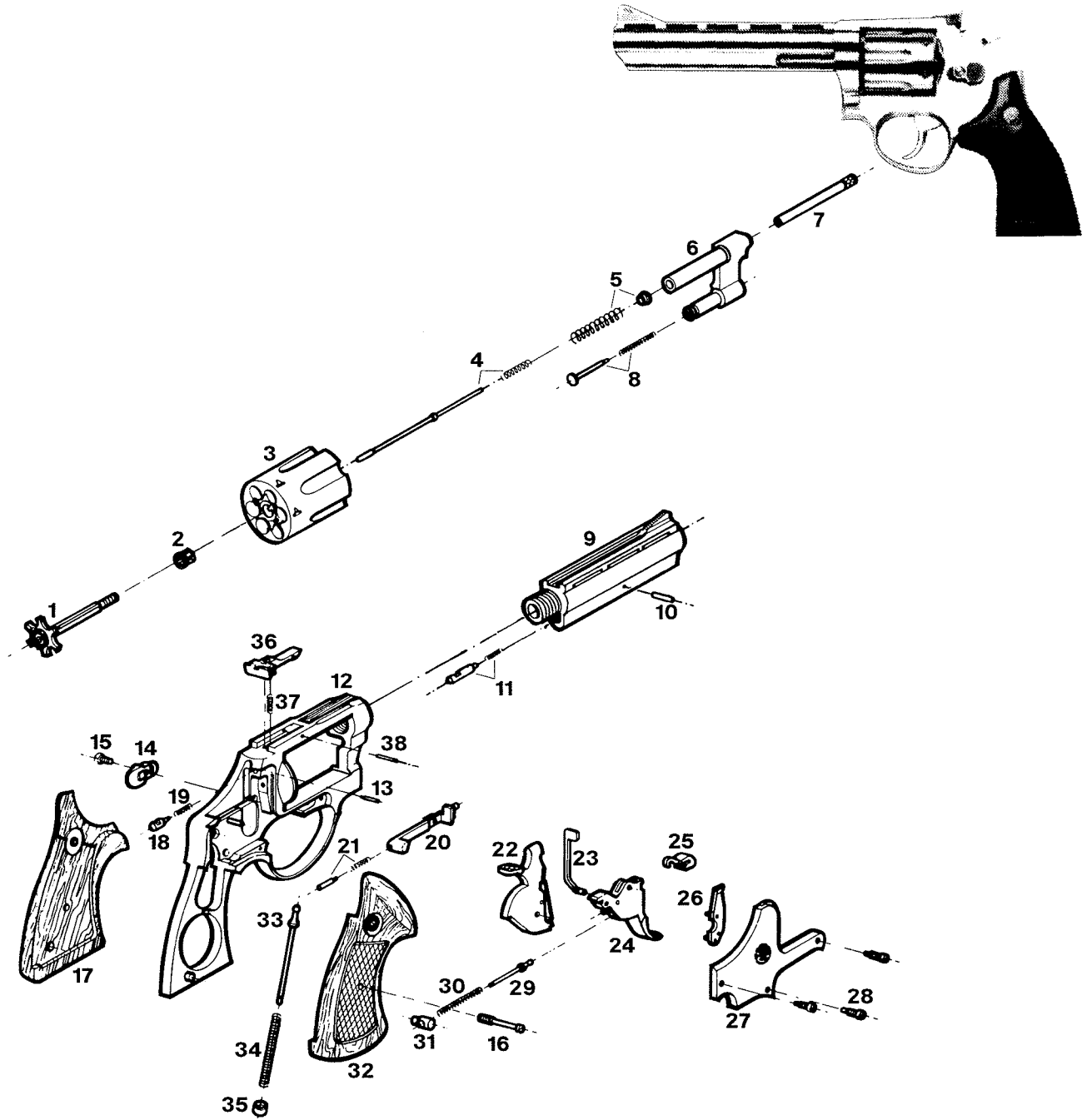
1	Extractor Rod	17	Barrel	33	Bolt Pin with Spring
2	Center Pin with Spring	18	Locking Bolt Pin	34	Mainspring Center Pin
3	Extractor	19	Locking Bolt with Spring	35	Mainspring
4	Cylinder	20	Barrel Pin	36	Mainspring Bushing
5	Extractor Spring with Rod Collar	21	Frame	37	Right Stock
6	Yoke	22	Thumb-Piece	38	Hammer
7	Rear Sight Screw	23	Thumb-Piece Screw	39	Trigger Spring
8	Rear Sight Leaf	24	Stock Screw	40	Rebound Slide
9	Rear Sight Blade	25	Left Stock	41	Trigger
10	Rear Sight Windage Screw	26	Firing Pin	42	Hand
11	Click Pin	27	Firing Pin Spring	43	Hammer Block
12	Click Pin Spring	28	Cylinder Stop Plunger with Spring	44	Gear
13	Windage Nut	29	Cylinder Stop Screw	45	Sideplate
14	Safety Ring	30	Firing Pin Retaining Pin	46	Firing Pin Short Screw
15	Rear Sight Elevation Screw	31	Cylinder Stop	47	Hand Pin with Spring
16	Elevation Nut	32	Bolt	48	Sideplate Long Screws

Model 67 Revolver



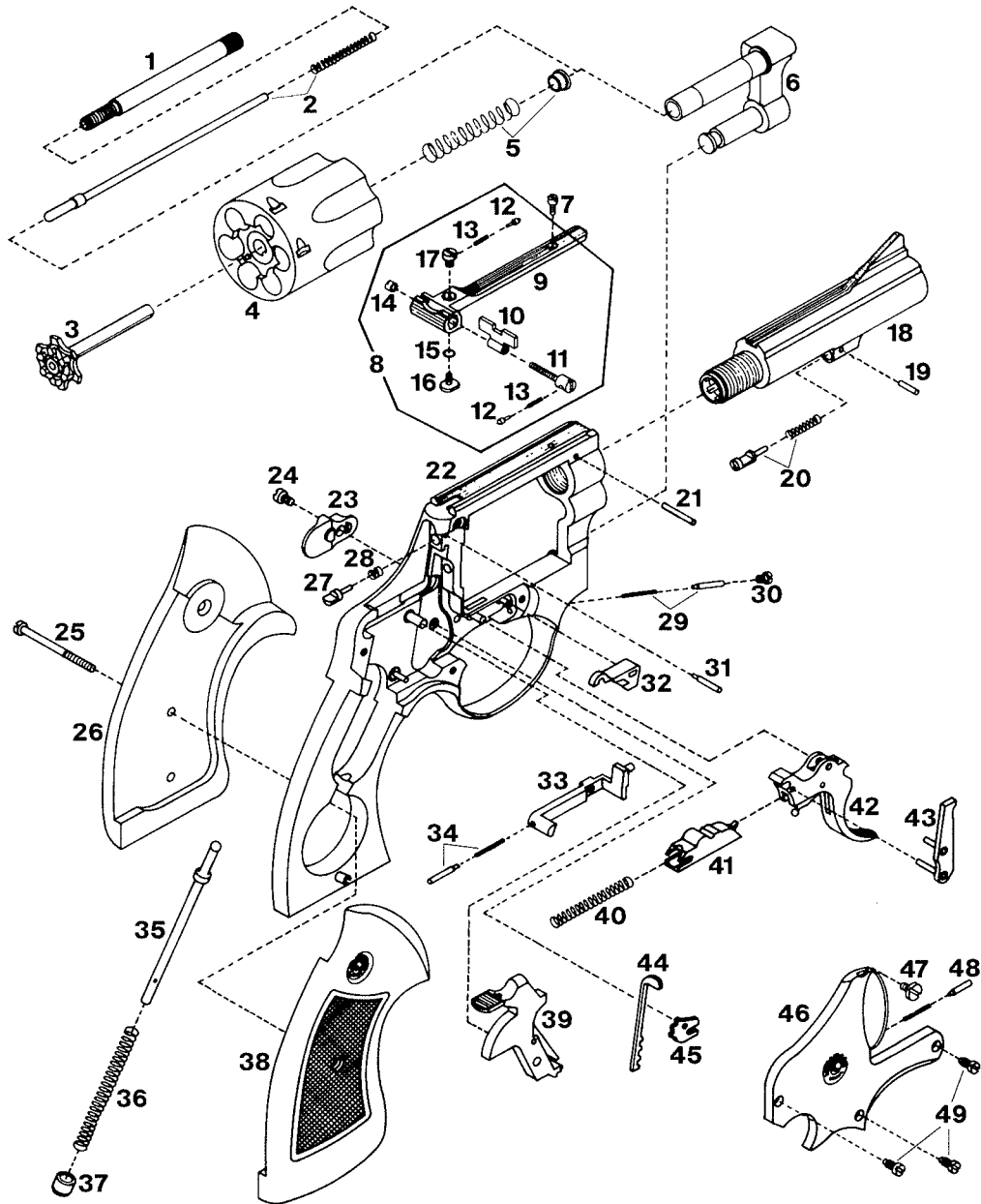
1	Extractor Rod	14	Firing Pin Spring	27	Right Stock
2	Center Pin with Spring	15	Firing Pin	28	Hammer
3	Extractor	16	Stock Screw	29	Trigger Spring
4	Cylinder	17	Left Stock	30	Rebound Slide
5	Extractor Spring with Rod Collar	18	Cylinder Stop Plunger with Spring	31	Trigger
6	Yoke	19	Cylinder Stop Screw	32	Hand
7	Barrel	20	Firing Pin Retaining Pin	33	Hammer Block
8	Locking Bolt Pin	21	Cylinder Stop	34	Gear
9	Locking Bolt with Spring	22	Bolt	35	Sideplate
10	Barrel Pin	23	Bolt Pin with Spring	36	Sideplate Short Screw
11	Frame	24	Mainspring Center Pin	37	Hand Pin with Spring
12	Thumb-Piece	25	Mainspring	38	Sideplate Long Screws
13	Thumb-Piece Screw	26	Mainspring Bushing		

Model 689 Revolver



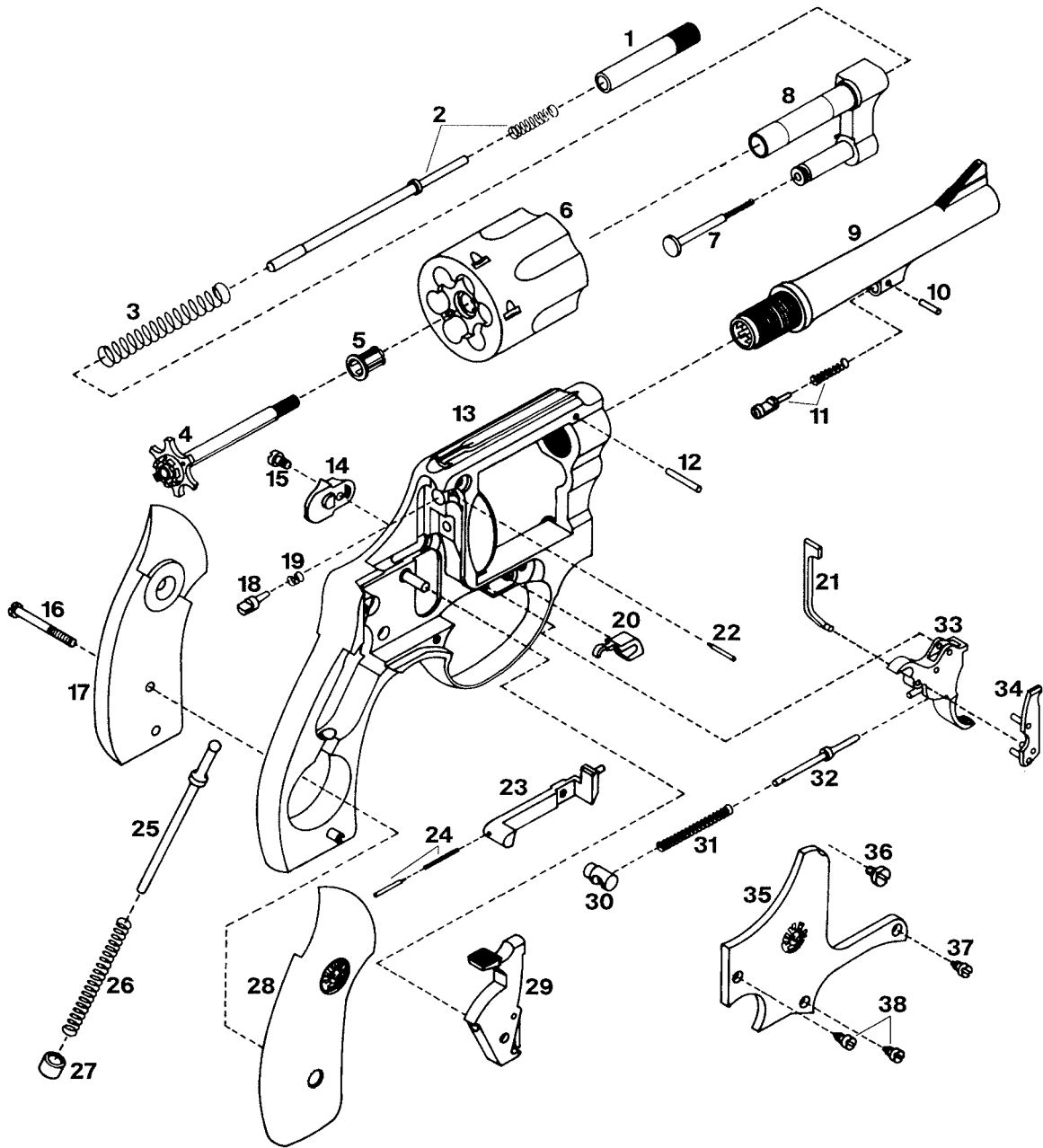
1	Extractor	14	Thumb-Piece	27	Sideplate
2	Cylinder Retaining Bushing	15	Thumb-Piece Screw	28	Sideplate Screws
3	Cylinder	16	Stock Screw	29	Trigger Spring Center Pin
4	Center Pin with Spring	17	Left Stock	30	Trigger Spring
5	Extractor Spring with Rod Collar	18	Firing Pin	31	Trigger Spring Swivel
6	Yoke	19	Firing Pin Spring	32	Right Stock
7	Extractor Rod	20	Bolt	33	Mainspring Center Pin
8	Cylinder Stop Plunger with Spring	21	Bolt Plunger with Spring	34	Mainspring
9	Barrel	22	Hammer	35	Mainspring Bushing
10	Locking Bolt Pin	23	Transfer Bar	36	Rear Sight
11	Locking Bolt with Spring	24	Trigger	37	Rear Sight Spring
12	Frame	25	Cylinder Stop	38	Rear Sight Pin
13	Firing Pin Retaining Pin	26	Hand		

Model 70 Revolver



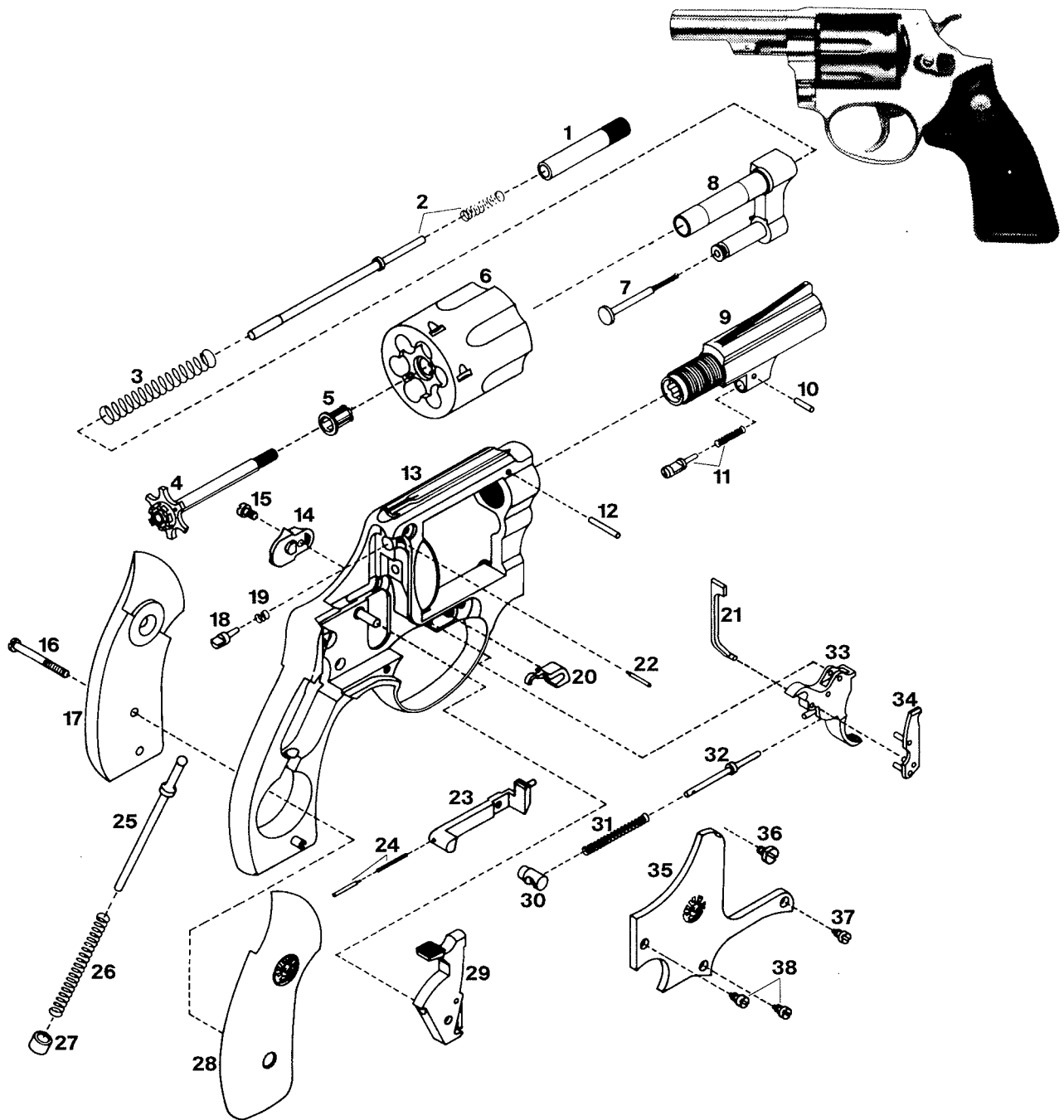
1	Extractor Rod	18	Barrel	35	Mainspring Center Pin
2	Center Pin with Spring	19	Locking Bolt Pin	36	Mainspring
3	Extractor	20	Locking Bolt with Spring	37	Mainspring Bushing
4	Cylinder	21	Barrel Pin	38	Right Stock
5	Extractor Spring with Rod Collar	22	Frame	39	Hammer
6	Yoke	23	Thumb-Piece	40	Trigger Spring
7	Rear Sight Screw	24	Thumb-Piece Screw	41	Rebound Slide
8	Rear Sight Assembly	25	Stock Screw	42	Trigger
9	Rear Sight Leaf	26	Left Stock	43	Hand
10	Rear Sight Blade	27	Firing Pin	44	Hammer Block
11	Rear Sight Windage Screw	28	Firing Pin Spring	45	Gear
12	Click Pin	29	Cylinder Stop Plunger with Spring	46	Sideplate
13	Click Pin Spring	30	Cylinder Stop Screw	47	Sideplate Short Screw
14	Windage Nut	31	Firing Pin Retaining Pin	48	Hand Pin with Spring
15	Safety Ring	32	Cylinder Stop	49	Sideplate Long Screws
16	Rear Sight Elevation Screw	33	Bolt		
17	Elevation Nut	34	Bolt Pin with Spring		

Model 71 Revolver



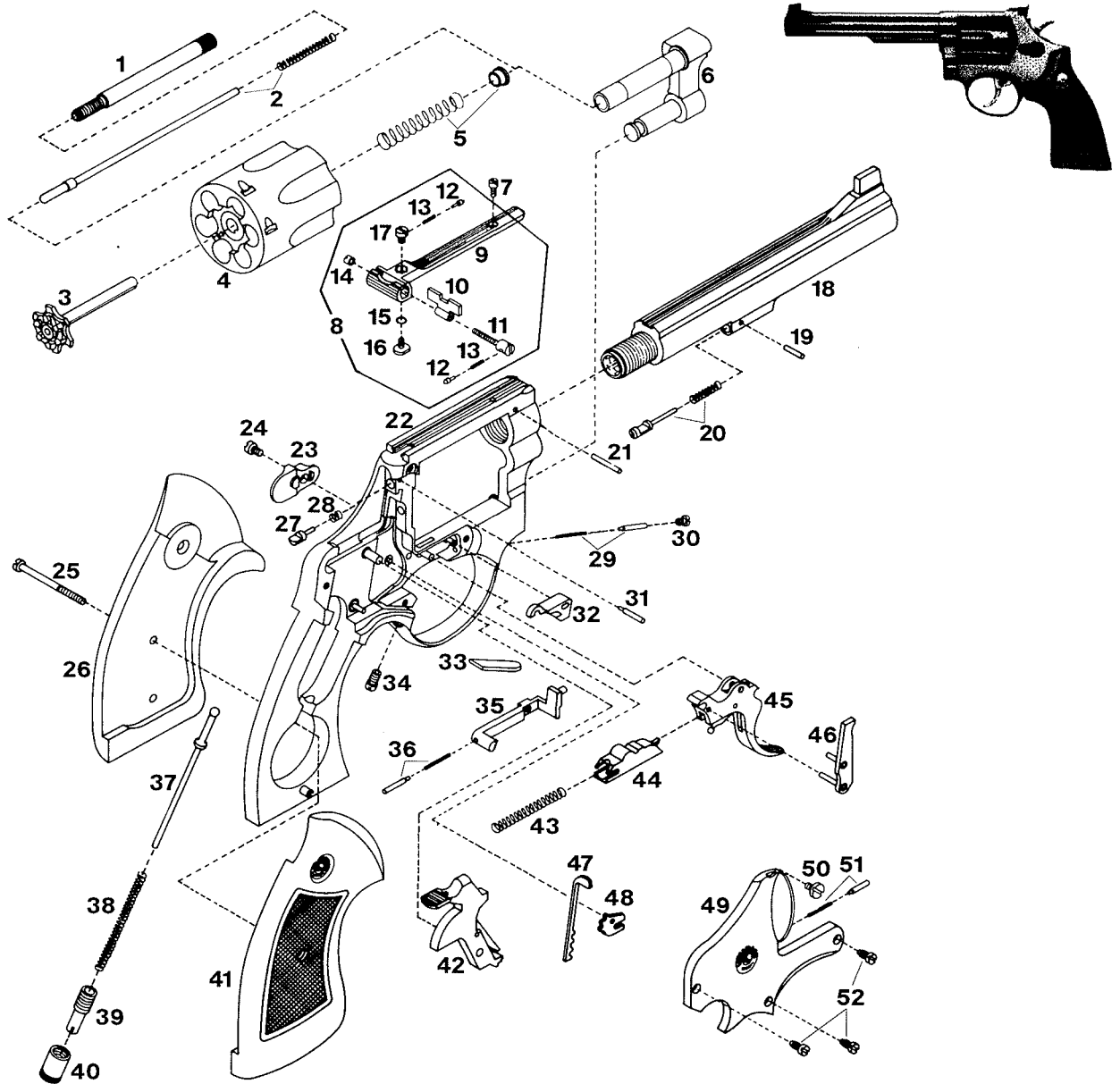
1	Extractor Rod	14	Thumb-Piece	27	Mainspring Bushing
2	Center Pin with Spring	15	Thumb-Piece Screw	28	Right Stock
3	Extractor Spring	16	Stock Screw	29	Hammer
4	Extractor	17	Left Stock	30	Trigger Spring Swivel
5	Cylinder Retaining Bushing	18	Firing Pin	31	Trigger Spring
6	Cylinder	19	Firing Pin Spring	32	Trigger Spring Center Pin
7	Cylinder Stop Plunger with Spring	20	Cylinder Stop	33	Trigger
8	Yoke	21	Transfer Bar	34	Hand
9	Barrel	22	Firing Pin Retaining Pin	35	Sideplate
10	Locking Bolt Pin	23	Bolt	36	Sideplate Short Screw
11	Locking Bolt with Spring	24	Bolt Plunger with Spring	37	Sideplate and Yoke Screw
12	Barrel Pin	25	Mainspring Center Pin	38	Sideplate Long Screws
13	Frame	26	Mainspring		

Model 73 Revolver



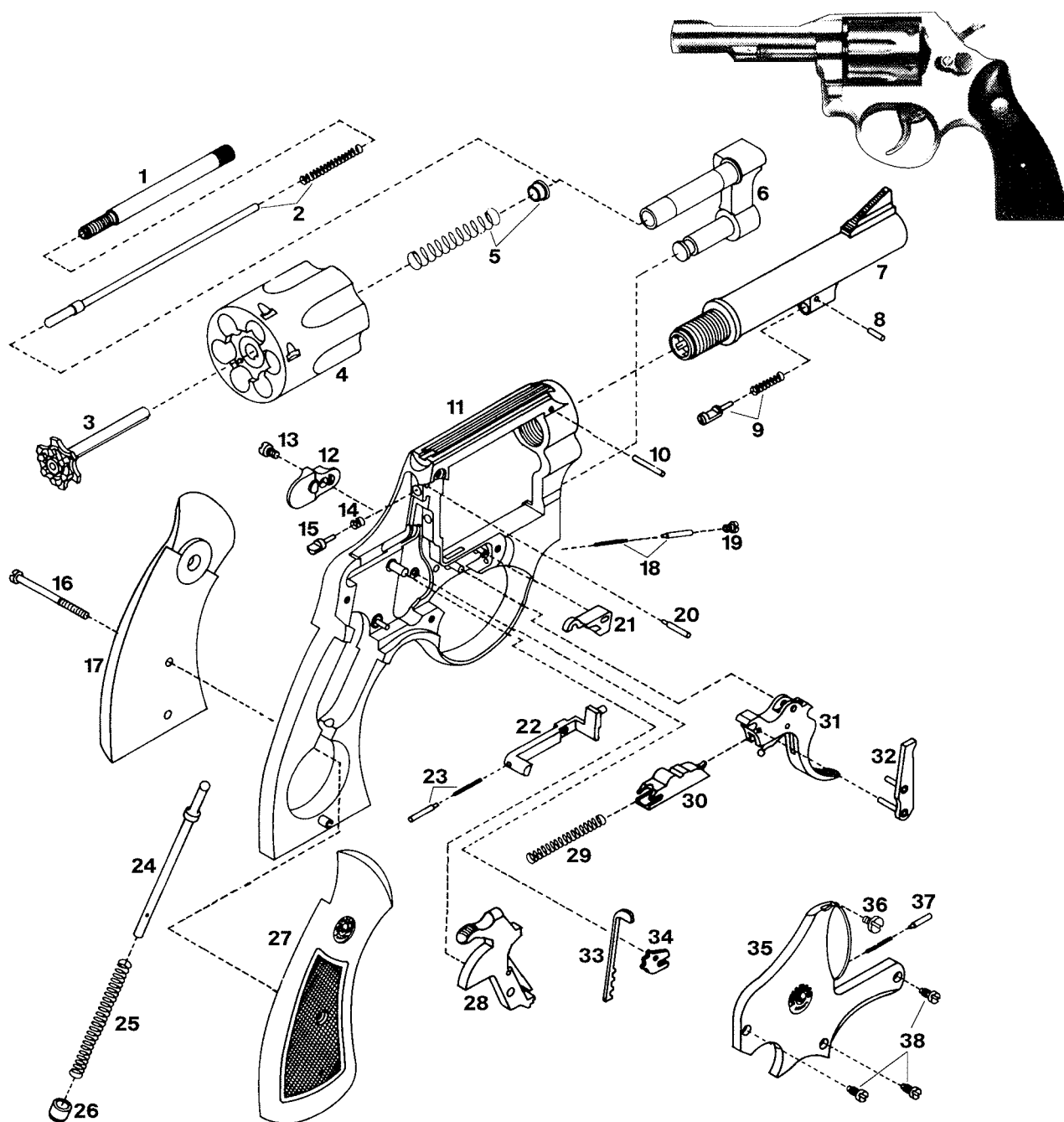
1	Extractor Rod	14	Thumb-Piece	27	Mainspring Bushing
2	Center Pin with Spring	15	Thumb-Piece Screw	28	Right Stock
3	Extractor Spring	16	Stock Screw	29	Hammer
4	Extractor	17	Left Stock	30	Trigger Spring Swivel
5	Cylinder Retaining Bushing	18	Firing Pin	31	Trigger Spring
6	Cylinder	19	Firing Pin Spring	32	Trigger Spring Center Pin
7	Cylinder Stop Plunger with Spring	20	Cylinder Stop	33	Trigger
8	Yoke	21	Transfer Bar	34	Hand
9	Barrel	22	Firing Pin Retaining Pin	35	Sideplate
10	Locking Bolt Pin	23	Bolt	36	Sideplate Short Screw
11	Locking Bolt with Spring	24	Bolt Plunger with Spring	37	Sideplate and Yoke Screw
12	Barrel Pin	25	Mainspring Center Pin	38	Sideplate Long Screws
13	Frame	26	Mainspring		

Model 76 Revolver



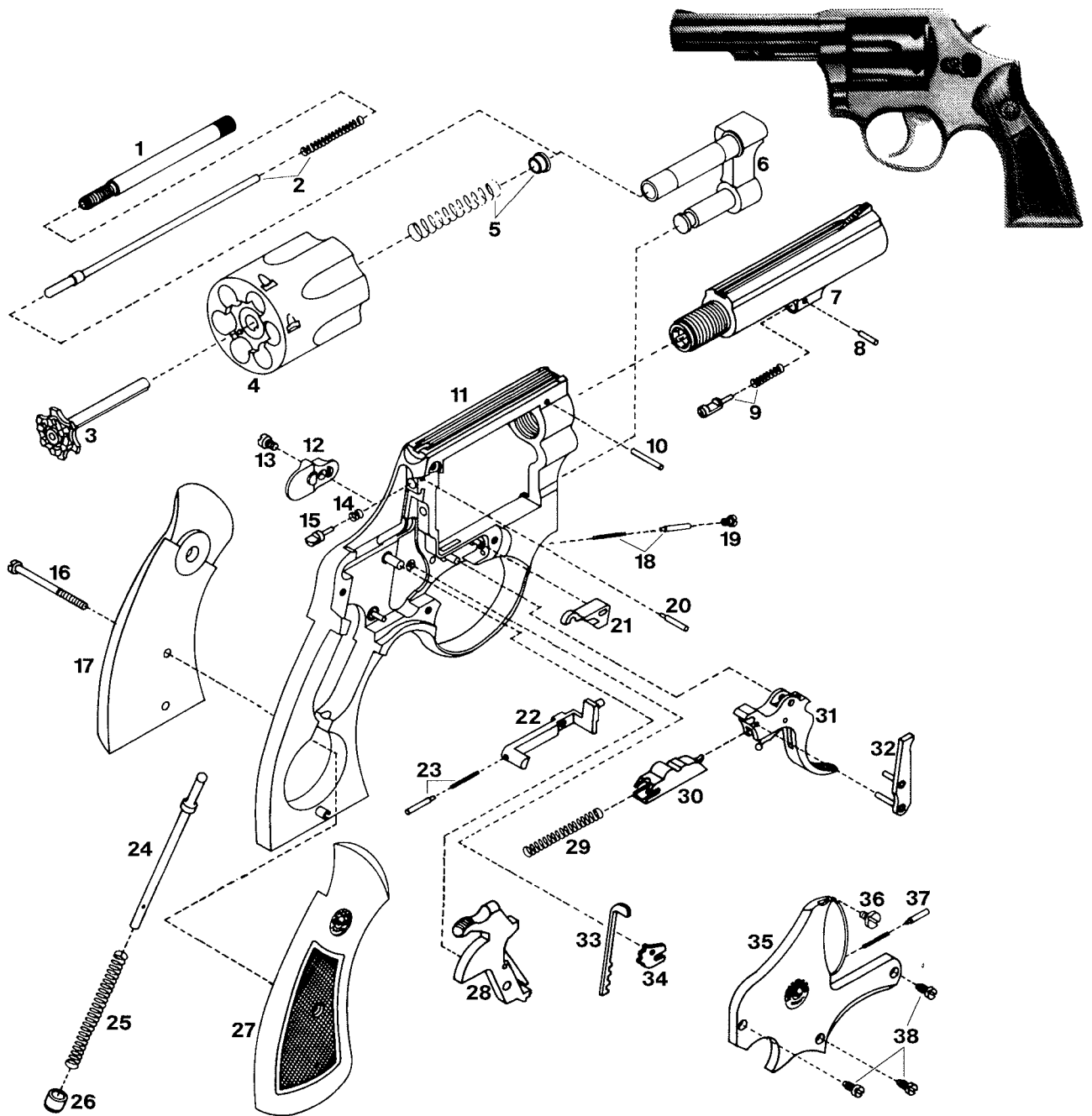
1	Extractor Rod	19	Locking Bolt Pin	37	Mainspring Center Pin
2	Center Pin with Spring	20	Locking Bolt with Spring	38	Mainspring
3	Extractor	21	Barrel Pin	39	Mainspring Adjustable Bushing
4	Cylinder	22	Frame	40	Mainspring Fixed Bushing
5	Extractor Spring with Rod Collar	23	Thumb-Piece	41	Right Stock
6	Yoke	24	Thumb-Piece Screw	42	Hammer
7	Rear Sight Screw	25	Stock Screw	43	Trigger Spring
8	Rear Sight Assembly	26	Left Stock	44	Rebound Slide
9	Rear Sight Leaf	27	Firing Pin	45	Trigger
10	Rear Sight Blade	28	Firing Pin Spring	46	Hand
11	Rear Sight Windage Screw	29	Cylinder Stop Plunger with Spring	47	Hammer Block
12	Click Pins	30	Cylinder Stop Screw	48	Gear
13	Click Pin Springs	31	Firing Pin Retaining Pin	49	Sideplate
14	Windage Nut	32	Cylinder Stop	50	Sideplate Short Screw
15	Safety Ring	33	Trigger Stop	51	Hand Pin with Spring
16	Rear Sight Elevation Screw	34	Trigger Stop Screw	52	Sideplate Long Screws
17	Elevation Nut	35	Bolt		
18	Barrel	36	Bolt Pin with Spring		

Model 80 Revolver



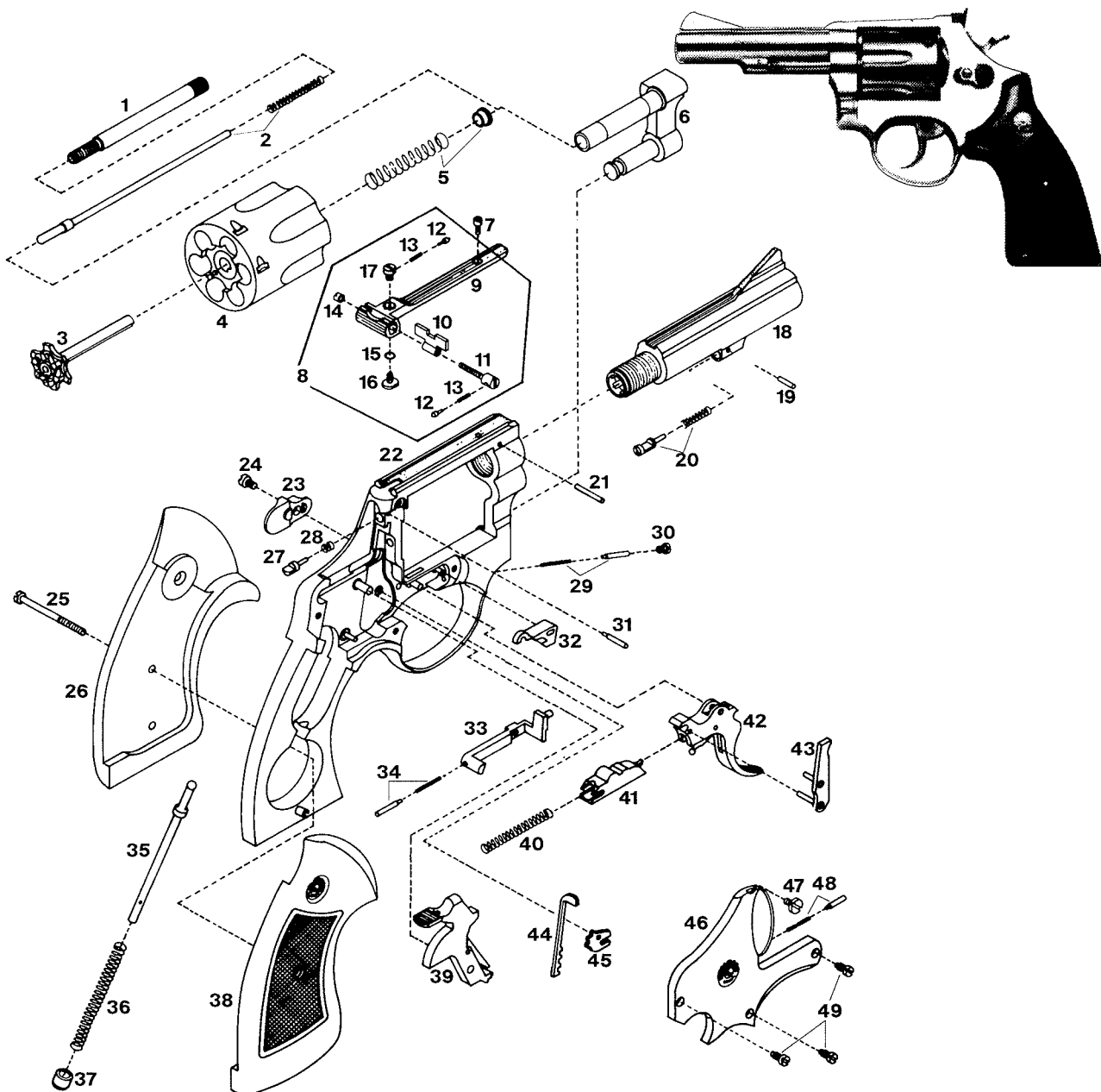
1	Extractor Rod	14	Firing Pin Spring	26	Mainspring Bushing
2	Center Pin with Spring	15	Firing Pin	27	Right Stock
3	Extractor	16	Stock Screw	28	Hammer
4	Cylinder	17	Left Stock	29	Trigger Spring
5	Extractor Spring with Rod Collar	18	Cylinder Stop Plunger with Spring	30	Rebound Slide
6	Yoke	19	Cylinder Stop Screw	31	Trigger
7	Barrel	20	Firing Pin Retaining Pin	32	Hand
8	Locking Bolt Pin	21	Cylinder Stop	33	Hammer Block
9	Locking Bolt with Spring	22	Bolt	34	Gear
10	Barrel Pin	23	Bolt Pin with Spring	35	Sideplate
11	Frame	24	Mainspring Center Pin	36	Sideplate Short Screw
12	Thumb-Piece	25	Mainspring	37	Hand Pin with Spring
13	Thumb-Piece Screw			38	Sideplate Long Screws

Model 82 and 82S Revolver



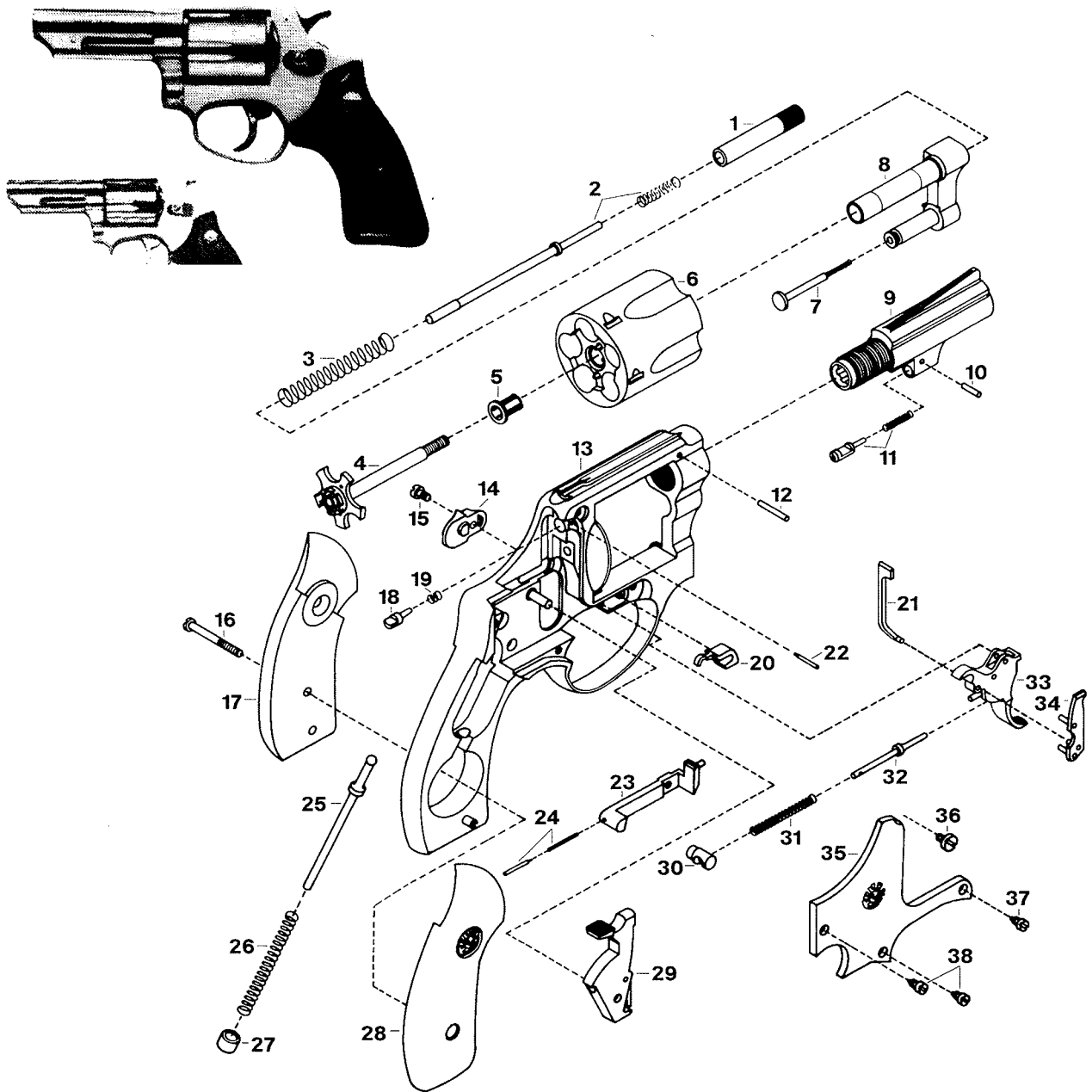
1	Extractor Rod	14	Firing Pin Spring	27	Right Stock
2	Center Pin with Spring	15	Firing Pin	28	Hammer
3	Extractor	16	Stock Screw	29	Trigger Spring
4	Cylinder	17	Left Stock	30	Rebound Slide
5	Extractor Spring with Rod Collar	18	Cylinder Stop Plunger with Spring	31	Trigger
6	Yoke	19	Cylinder Stop Screw	32	Hand
7	Barrel	20	Firing Pin Retaining Pin	33	Hammer Block
8	Locking Bolt Pin	21	Cylinder Stop	34	Gear
9	Locking Bolt with Spring	22	Bolt	35	Sideplate
10	Barrel Pin	23	Bolt Pin with Spring	36	Sideplate Short Screw
11	Frame	24	Mainspring Center Pin	37	Hand Pin with Spring
12	Thumb-Piece	25	Mainspring	38	Sideplate Long Screws
13	Thumb-Piece Screw	26	Mainspring Bushing		

Model 83 and 83S Revolver



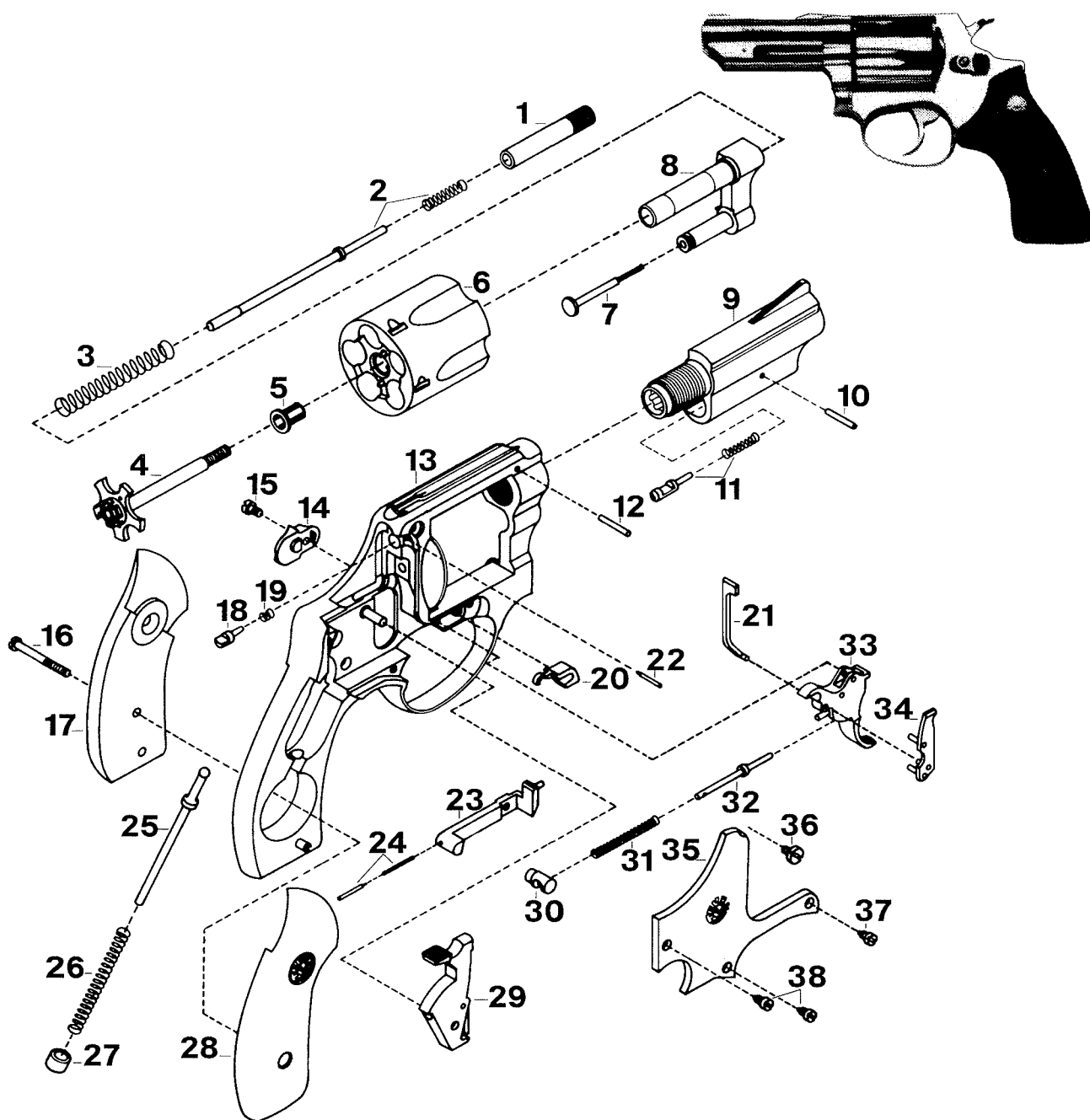
1	Extractor Rod	18	Barrel	35	Mainspring Center Pin
2	Center Pin with Spring	19	Locking Bolt Pin	36	Mainspring
3	Extractor	20	Locking Bolt with Spring	37	Mainspring Bushing
4	Cylinder	21	Barrel Pin	38	Right Stock
5	Extractor Spring with Rod Collar	22	Frame	39	Hammer
6	Yoke	23	Thumb-Piece	40	Trigger Spring
7	Rear Sight Screw	24	Thumb-Piece Screw	41	Rebound Slide
8	Rear Sight Assembly	25	Stock Screw	42	Trigger
9	Rear Sight Leaf	26	Left Stock	43	Hand
10	Rear Sight Blade	27	Firing Pin	44	Hammer Block
11	Rear Sight Windage Screw	28	Firing Pin Spring	45	Gear
12	Click Pins	29	Cylinder Stop Plunger with Spring	46	Sideplate
13	Click Pin Springs	30	Cylinder Stop Screw	47	Sideplate Short Screw
14	Windage Nut	31	Firing Pin Retaining Pin	48	Hand Pin with Spring
15	Safety Ring	32	Cylinder Stop	49	Sideplate Long Screws
16	Rear Sight Elevation Screw	33	Bolt		
17	Elevation Nut	34	Bolt Pin with Spring		

Model 85 and 85S Revolver



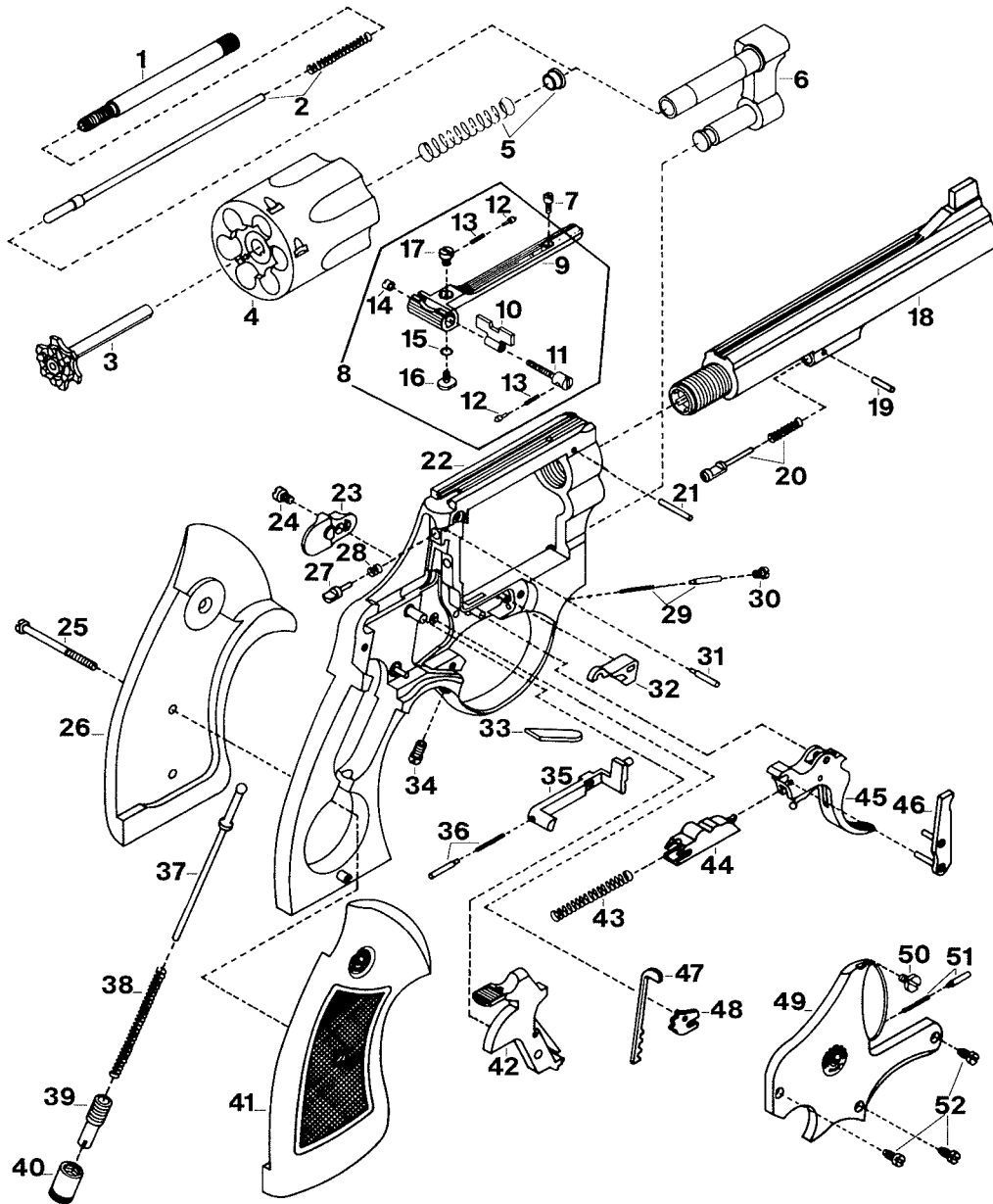
1	Extractor Rod	14	Thumb-Piece	27	Mainspring Bushing
2	Center Pin with Spring	15	Thumb-Piece Screw	28	Right Stock
3	Extractor Spring	16	Stock Screw	29	Hammer
4	Extractor	17	Left Stock	30	Trigger Spring Swivel
5	Cylinder Retaining Bushing	18	Firing Pin	31	Trigger Spring
6	Cylinder	19	Firing Pin Spring	32	Trigger Spring Center Pin
7	Cylinder Stop Plunger with Spring	20	Cylinder Stop	33	Trigger
8	Yoke	21	Transfer Bar	34	Hand
9	Barrel	22	Firing Pin Retaining Pin	35	Sideplate
10	Locking Bolt Pin	23	Bolt	36	Sideplate Short Screw
11	Locking Bolt with Spring	24	Bolt Plunger with Spring	37	Sideplate and Yoke Screw
12	Barrel Pin	25	Mainspring Center Pin	38	Sideplate Long Screws
13	Frame	26	Mainspring		

Model 85S Stainless Revolver



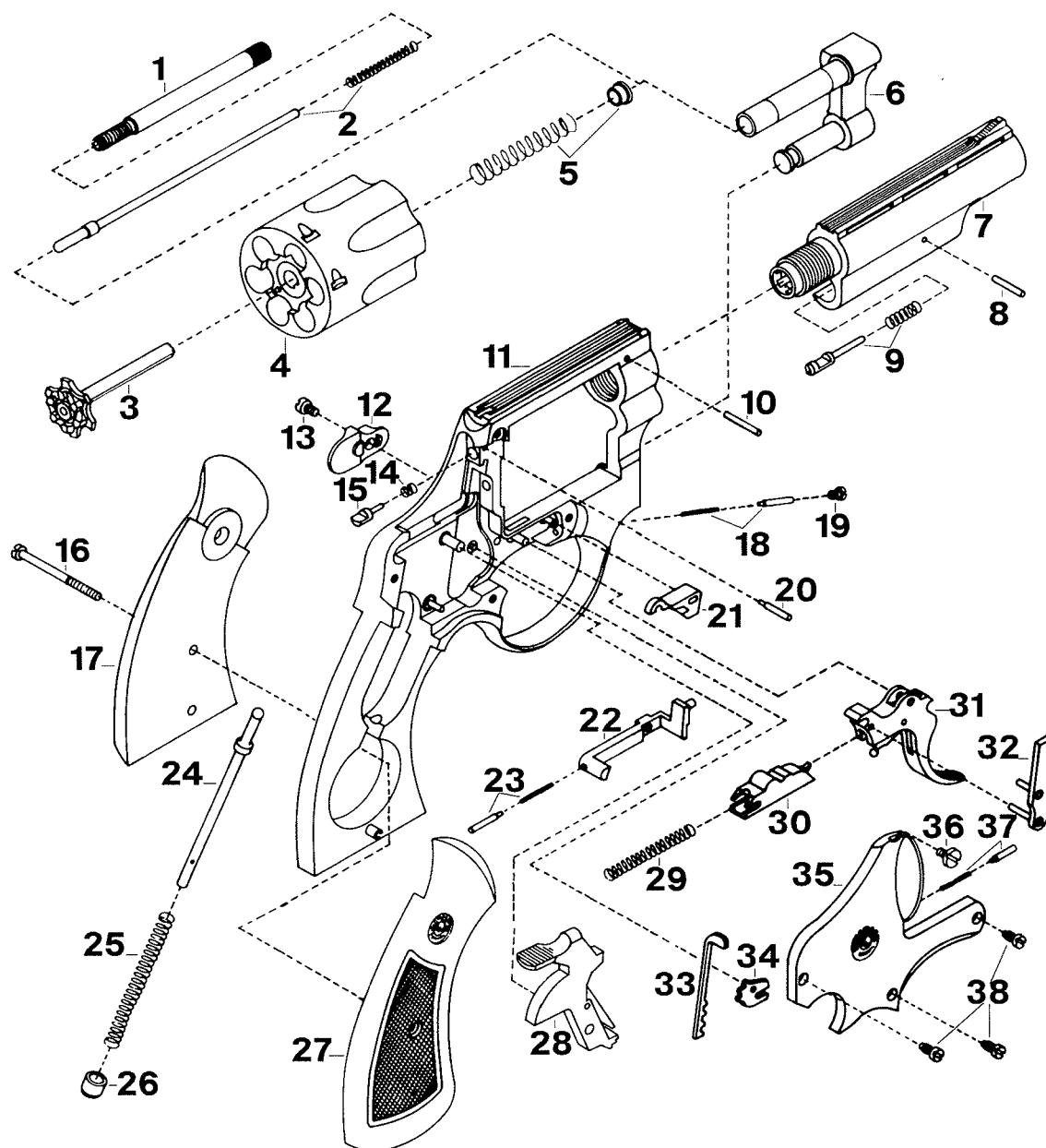
1	Extractor Rod	14	Thumb-Piece	27	Mainspring Bushing
2	Center Pin with Spring	15	Thumb-Piece Screw	28	Right Stock
3	Extractor Spring	16	Stock Screw	29	Hammer
4	Extractor	17	Left Stock	30	Trigger Spring Swivel
5	Cylinder Retaining Bushing	18	Firing Pin	31	Trigger Spring
6	Cylinder	19	Firing Pin Spring	32	Trigger Spring Center Pin
7	Cylinder Stop Plunger with Spring	20	Cylinder Stop	33	Trigger
8	Yoke	21	Transfer Bar	34	Hand
9	Barrel	22	Firing Pin Retaining Pin	35	Sideplate
10	Locking Bolt Pin	23	Bolt	38	Sideplate Short Screw
11	Locking Bolt with Spring	24	Bolt Plunger with Spring	37	Sideplate and Yoke Screw
12	Barrel Pin	25	Mainspring Center Pin	38	Sideplate Long Screws
13	Frame	26	Mainspring		

Model 86 Revolver



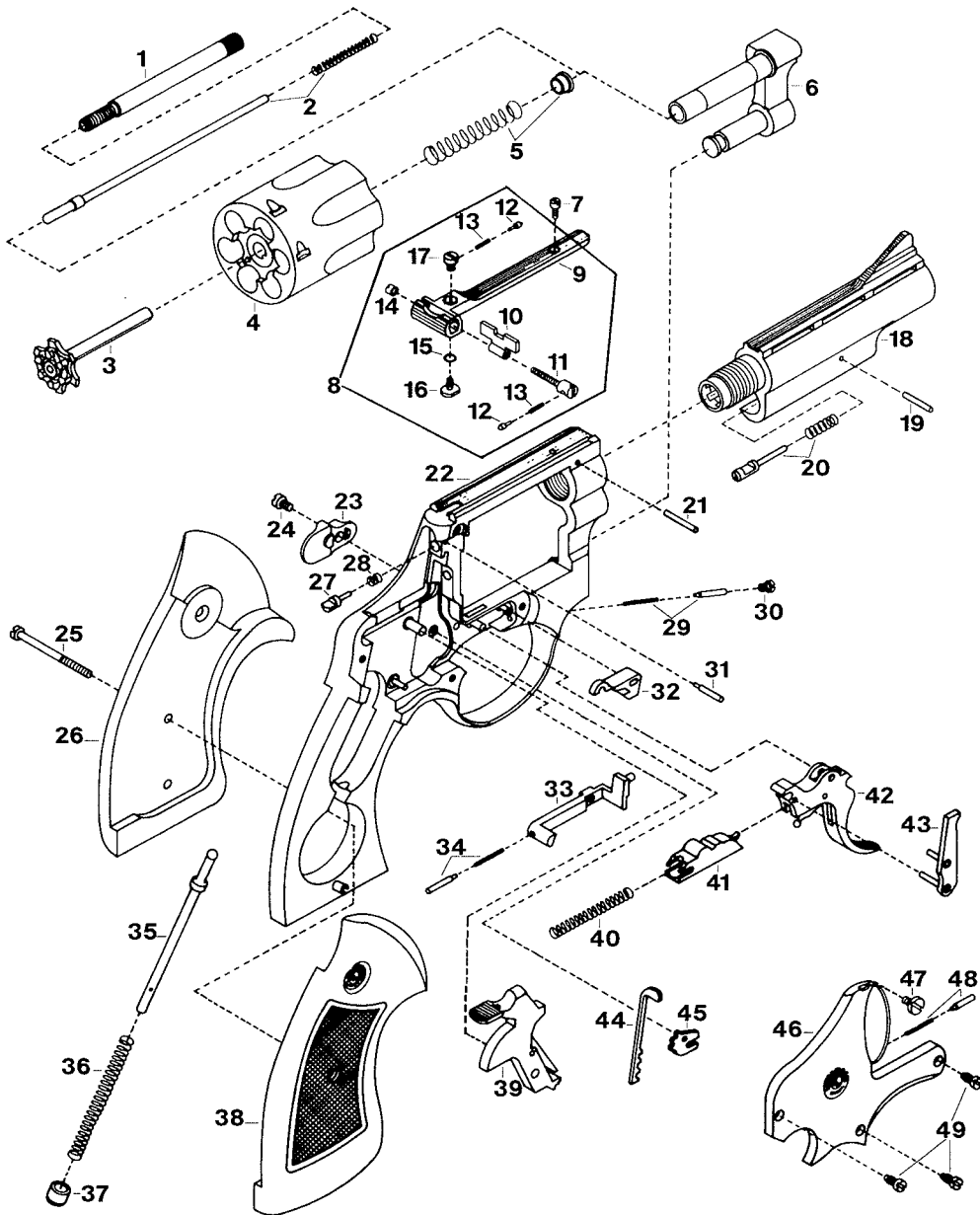
- | | | | | | |
|----|----------------------------------|----|-----------------------------------|----|-------------------------------|
| 1 | Extractor Rod | 19 | Locking Bolt Pin | 37 | Mainspring Center Pin |
| 2 | Center Pin with Spring | 20 | Locking Bolt with Spring | 38 | Mainspring |
| 3 | Extractor | 21 | Barrel Pin | 39 | Mainspring Adjustable Bushing |
| 4 | Cylinder | 22 | Frame | 40 | Mainspring Fixed Bushing |
| 5 | Extractor Spring with Rod Collar | 23 | Thumb-Piece | 41 | Right Stock |
| 6 | Yoke | 24 | Thumb-Piece Screw | 42 | Hammer |
| 7 | Rear Sight Screw | 25 | Stock Screw | 43 | Trigger Spring |
| 8 | Rear Sight Assembly | 26 | Left Stock | 44 | Rebound Slide |
| 9 | Rear Sight Leaf | 27 | Firing Pin | 45 | Trigger |
| 10 | Rear Sight Blade | 28 | Firing Pin Spring | 46 | Hand |
| 11 | Rear Sight Windage Screw | 29 | Cylinder Stop Plunger with Spring | 47 | Hammer Block |
| 12 | Click Pins | 30 | Cylinder Stop Screw | 48 | Gear |
| 13 | Click Pin Springs | 31 | Firing Pin Retaining Pin | 49 | Sideplate |
| 14 | Windage Nut | 32 | Cylinder Stop | 50 | Sideplate Short Screw |
| 15 | Safety Ring | 33 | Trigger Stop | 51 | Hand Pin with Spring |
| 16 | Rear Sight Elevation Screw | 34 | Trigger Stop Screw | 52 | Sideplate Long Screws |
| 17 | Elevation Nut | 35 | Bolt | | |
| 18 | Barrel | 36 | Bolt Pin with Spring | | |

Model 87 Revolver



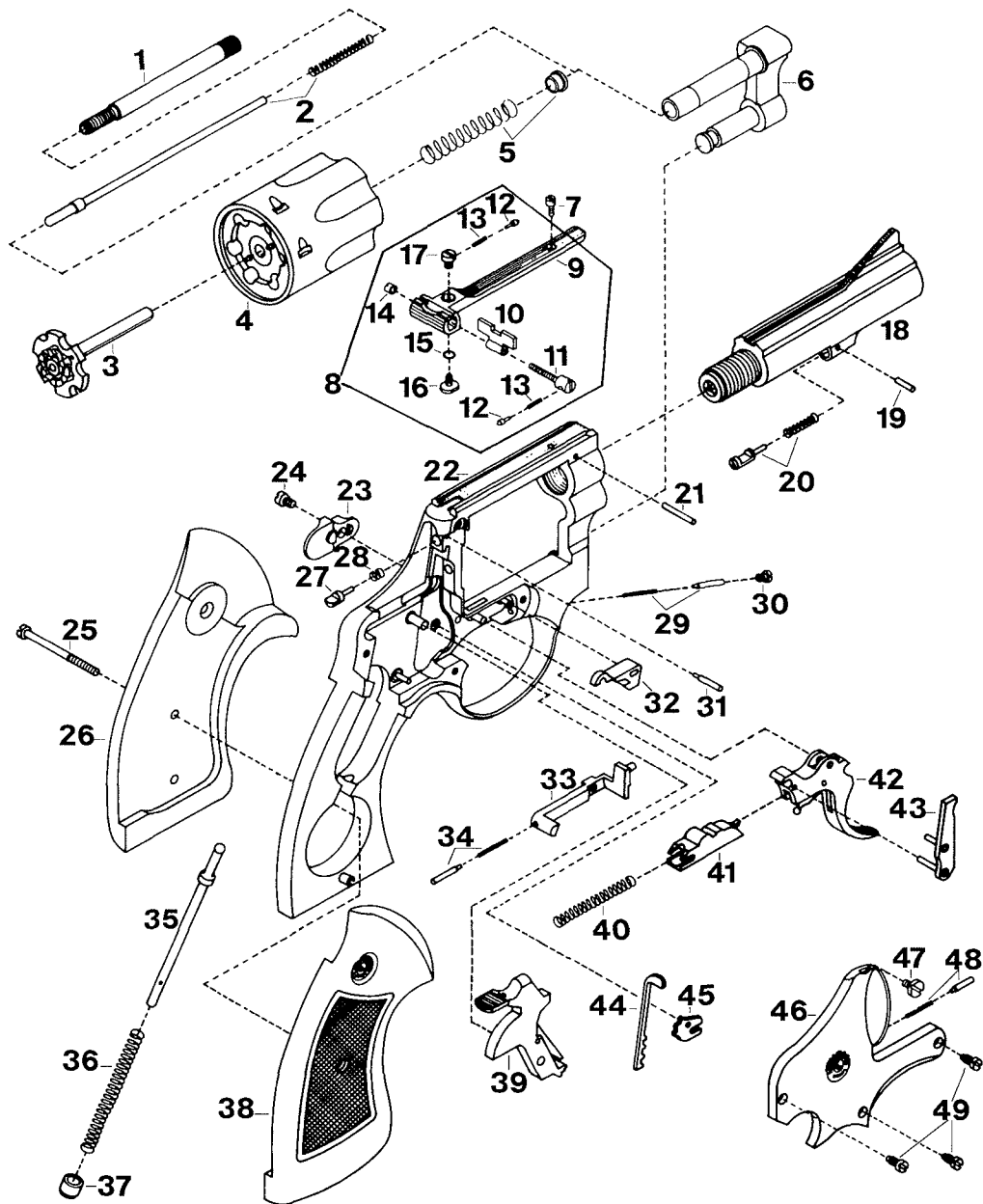
1	Extractor Rod	14	Firing Pin Spring	27	Right Stock
2	Center Pin with Spring	15	Firing Pin	28	Hammer
3	Extractor	16	Stock Screw	29	Trigger Spring
4	Cylinder	17	Left Stock	30	Rebound Slide
5	Extractor Spring with Rod Collar	18	Cylinder Stop Plunger with Spring	31	Trigger
6	Yoke	19	Cylinder Stop Screw	32	Hand
7	Barrel	20	Firing Pin Retaining Pin	33	Hammer Block
8	Locking Bolt Pin	21	Cylinder Stop	34	Gear
9	Locking Bolt with Spring	22	Bolt	35	Sideplate
10	Barrel Pin	23	Bolt Pin with Spring	36	Sideplate Short Screw
11	Frame	24	Mainspring Center Pin	37	Hand Pin with Spring
12	Thumb-Piece	25	Mainspring	38	Sideplate Long Screws
13	Thumb-Piece Screw	26	Mainspring Bushing		

Model 88 and 889 Revolver



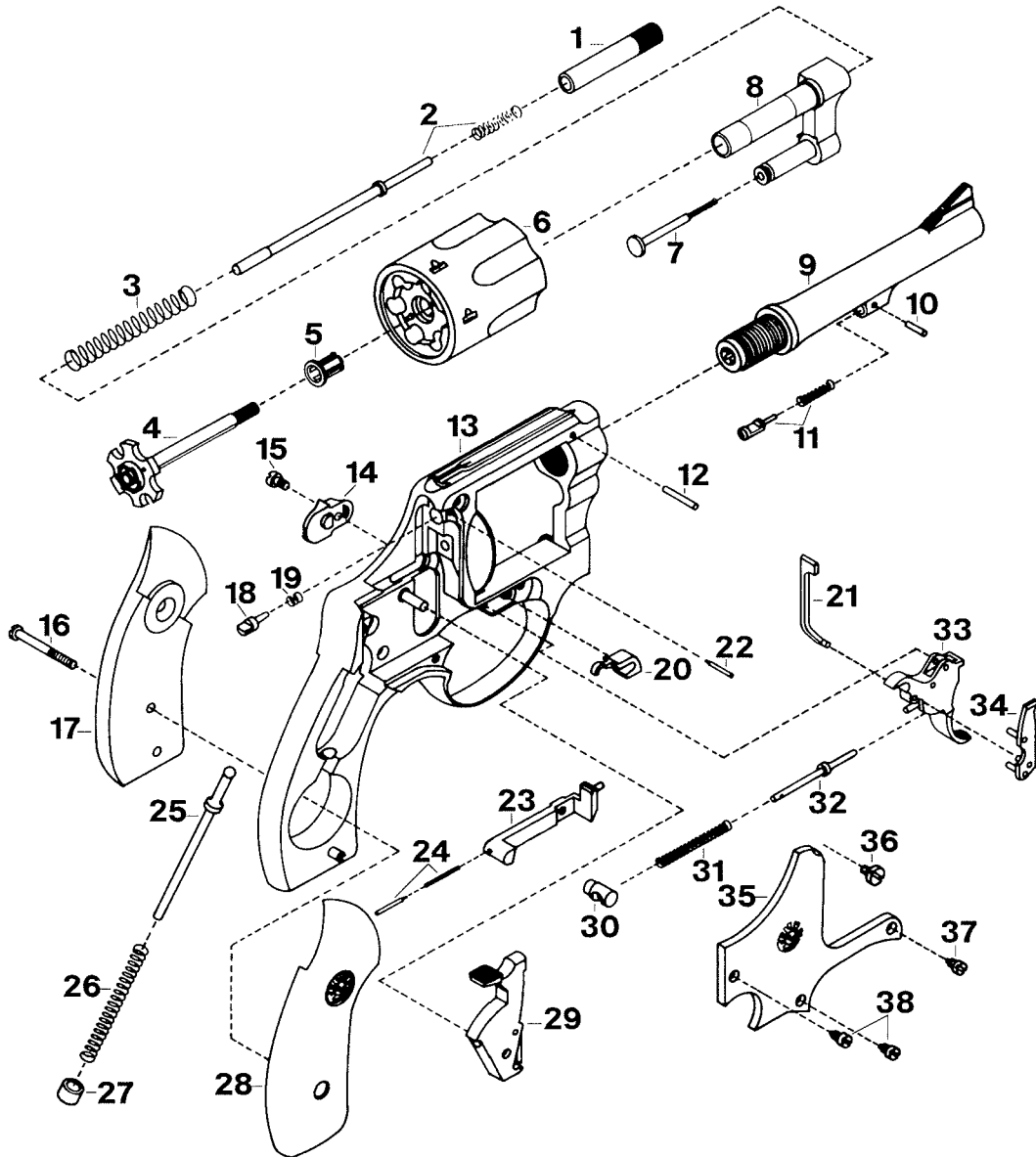
1	Extractor Rod	18	Barrel	35	Mainspring Center Pin
2	Center Pin with Spring	19	Locking Bolt Pin	36	Mainspring
3	Extractor	20	Locking Bolt With Spring	37	Mainspring Bushing
4	Cylinder	21	Barrel Pin	38	Right Stock
5	Extractor Spring with Rod Collar	22	Frame	39	Hammer
6	Yoke	23	Thumb-Piece	40	Trigger Spring
7	Rear Sight Screw	24	Thumb-Piece Screw	41	Rebound Slide
8	Rear Sight Assembly	25	Stock Screw	42	Trigger
9	Rear Sight Leaf	26	Left Stock	43	Hand
10	Rear Sight Blade	27	Firing Pin	44	Hammer Block
11	Rear Sight Windage Screw	28	Firing Pin Spring	45	Gear
12	Click Pins	29	Cylinder Stop Plunger with Spring	46	Sideplate
13	Click Pin Springs	30	Cylinder Stop Screw	47	Sideplate Short Screw
14	Windage Nut	31	Firing Pin Retaining Pin	48	Hand Pin with Spring
15	Safety Ring	32	Cylinder Stop	49	Sideplate Long Screws
16	Rear Sight Elevation Screw	33	Bolt		
17	Elevation Nut	34	Bolt Pin with Spring		

Model 90 Revolver



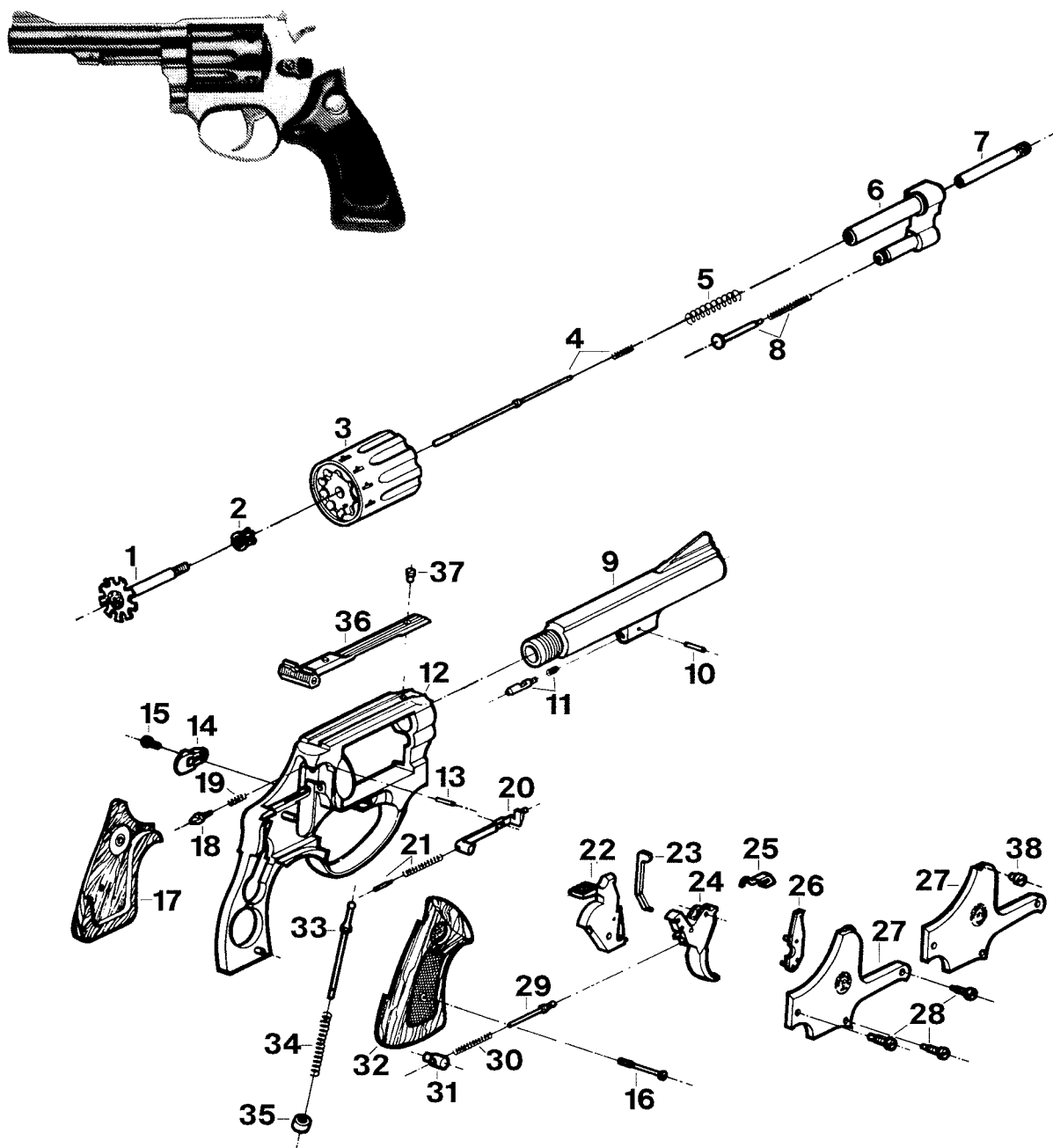
1	Extractor Rod	18	Barrel	35	Mainspring Center Pin
2	Center Pin with Spring	19	Locking Bolt Pin	36	Mainspring
3	Extractor	20	Locking Bolt with Spring	37	Mainspring Bushing
4	Cylinder	21	Barrel Pin	38	Right Stock
5	Extractor Spring with Rod Collar	22	Frame	39	Hammer
6	Yoke	23	Thumb-Piece	40	Trigger Spring
7	Rear Sight Screw	24	Thumb-Piece Screw	41	Rebound Slide
8	Rear Sight Assembly	25	Stock Screw	42	Trigger
9	Rear Sight Leaf	26	Left Stock	43	Hand
10	Rear Sight Blade	27	Firing Pin	44	Hammer Block
11	Rear Sight Windage Screw	28	Firing Pin Spring	45	Gear
12	Click Pins	29	Cylinder Stop Plunger with Spring	46	Sideplate
13	Click Pin Springs	30	Cylinder Stop Screw	47	Sideplate Short Screw
14	Windage Nut	31	Firing Pin Retaining Pin	48	Hand Pin with Spring
15	Safety Ring	32	Cylinder Stop	49	Sideplate Long Screws
16	Rear Sight Elevation Screw	33	Bolt		
17	Elevation Nut	34	Bolt Pin with Spring		

Model 93 Revolver



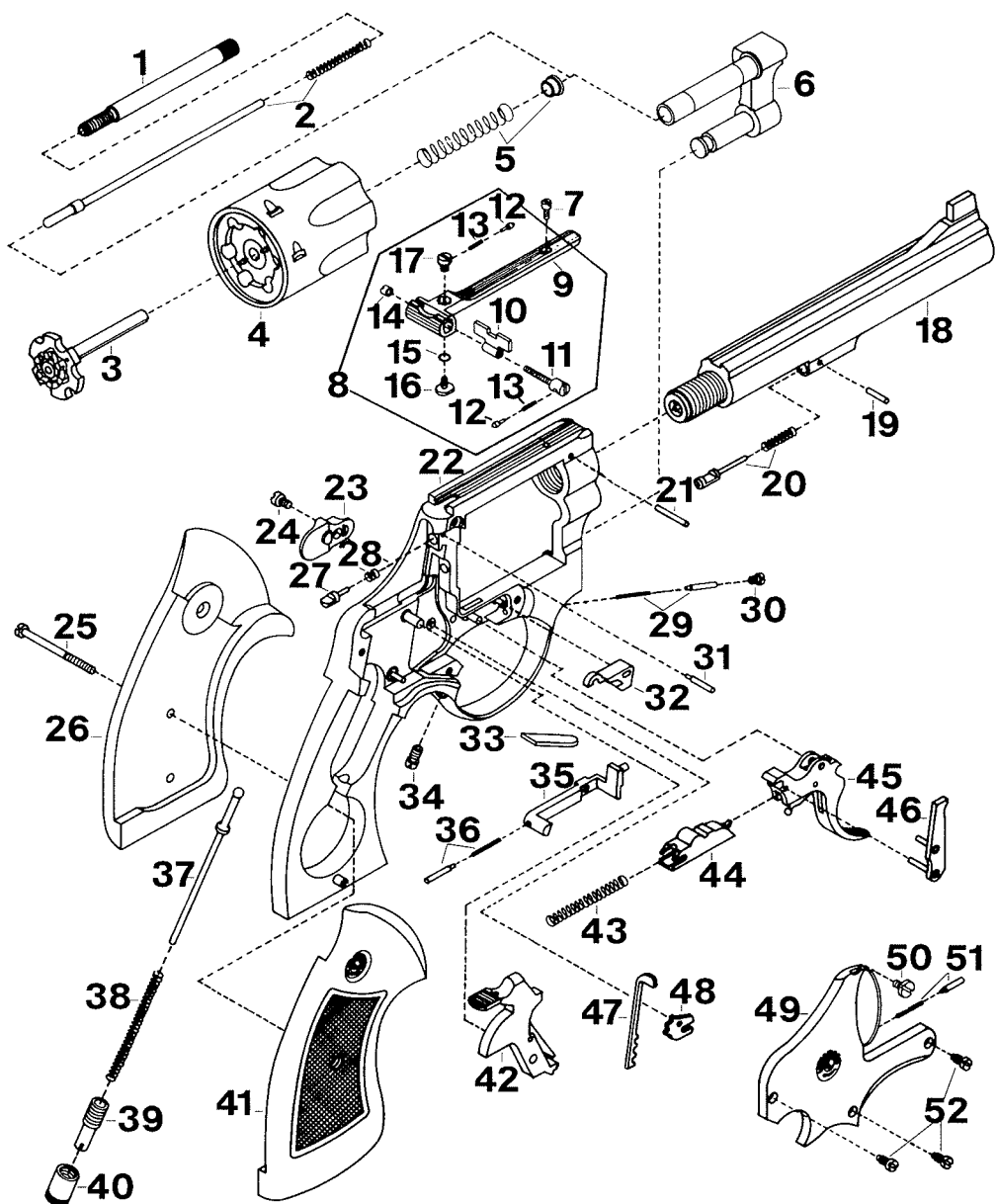
1	Extractor Rod	20	Cylinder Stop
2	Center Pin with Spring	21	Transfer Bar
3	Extractor Spring	22	Firing Pin Retaining Pin
4	Extractor	23	Bolt
5	Cylinder Retaining Bushing	24	Bolt Plunger with Spring
6	Cylinder	25	Mainspring Center Pin
7	Cylinder Stop Plunger With Spring	26	Mainspring
8	Yoke	27	Mainspring Bushing
9	Barrel	28	Right Stock
10	Locking Bolt Pin	29	Hammer
11	Locking Bolt with Spring	30	Trigger Spring Swivel
12	Barrel Pin	31	Trigger Spring
13	Frame	32	Trigger Spring Center Pin
14	Thumb-Piece	33	Trigger
15	Thumb-Piece Screw	34	Hand
16	Stock Screw	35	Sideplate
17	Left Stock	36	Sideplate Short Screw
18	Firing Pin	37	Sideplate and Yoke Screw
19	Firing Pin Spring	38	Sideplate Long Screws

Model 94 Revolver



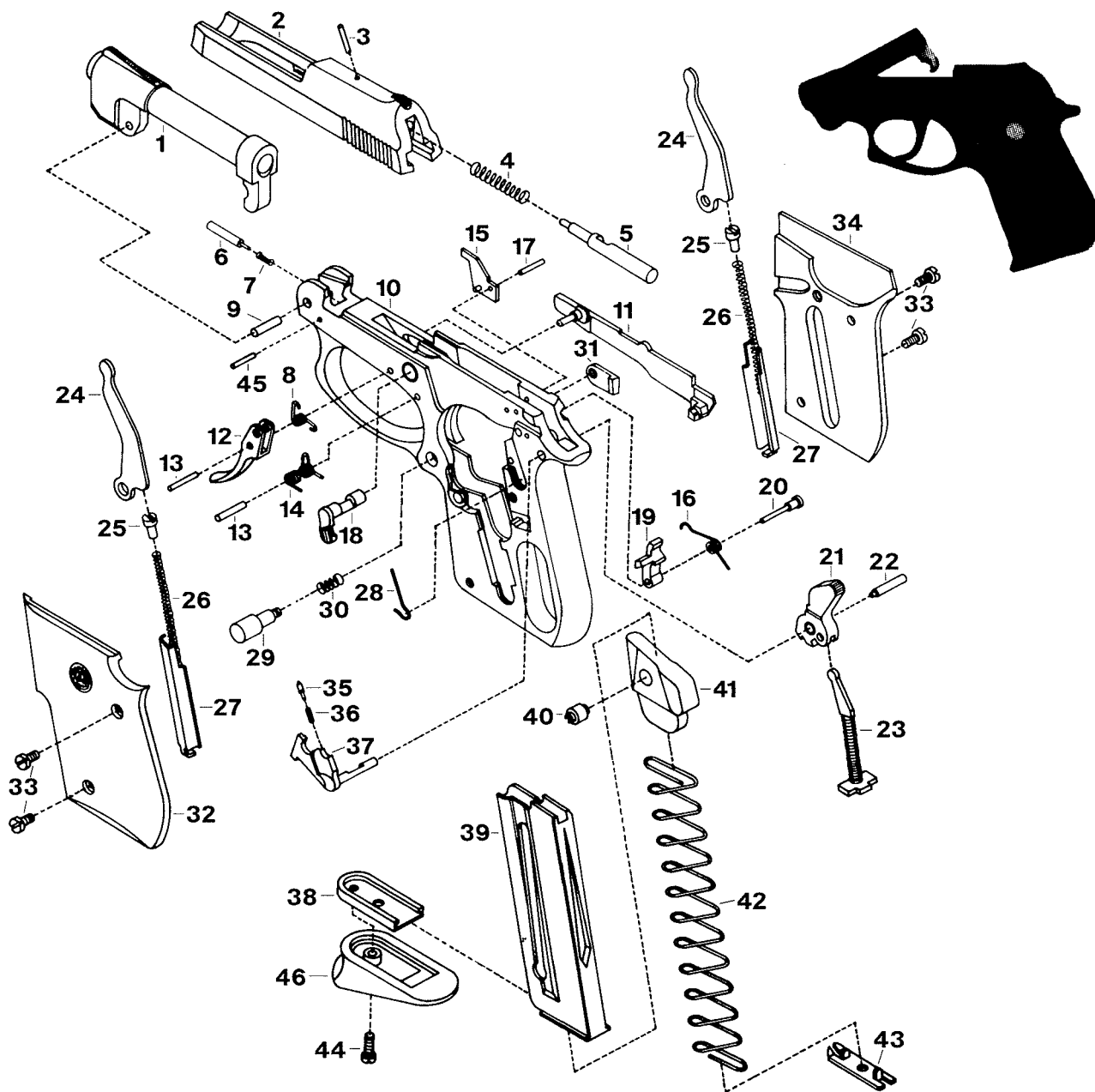
1	Extractor	14	Thumb-Piece	27	Sideplate
2	Cylinder Retaining Bushing	15	Thumb-Piece Screw	28	Sideplate Screws
3	Cylinder	16	Stock Screw	29	Trigger Spring Center Pin
4	Center Pin with Spring	17	Left Stock	30	Trigger Spring
5	Extractor Spring	18	Firing Pin	31	Trigger Spring Swivel
6	Yoke	19	Firing Pin Spring	32	Right Stock
7	Extractor Rod	20	Bolt	33	Mainspring Center Pin
8	Cylinder Stop Plunger with Spring	21	Bolt Plunger with Spring	34	Mainspring
9	Barrel	22	Hammer	35	Mainspring Bushing
10	Locking Bolt Pin	23	Transfer Bar	36	Rear Sight
11	Locking Bolt with Spring	24	Trigger	37	Rear Sight Screw
12	Frame	25	Cylinder Stop	38	Sideplate Short Screw
13	Firing Pin Retaining Pin	26	Hand		

Model 96 Revolver



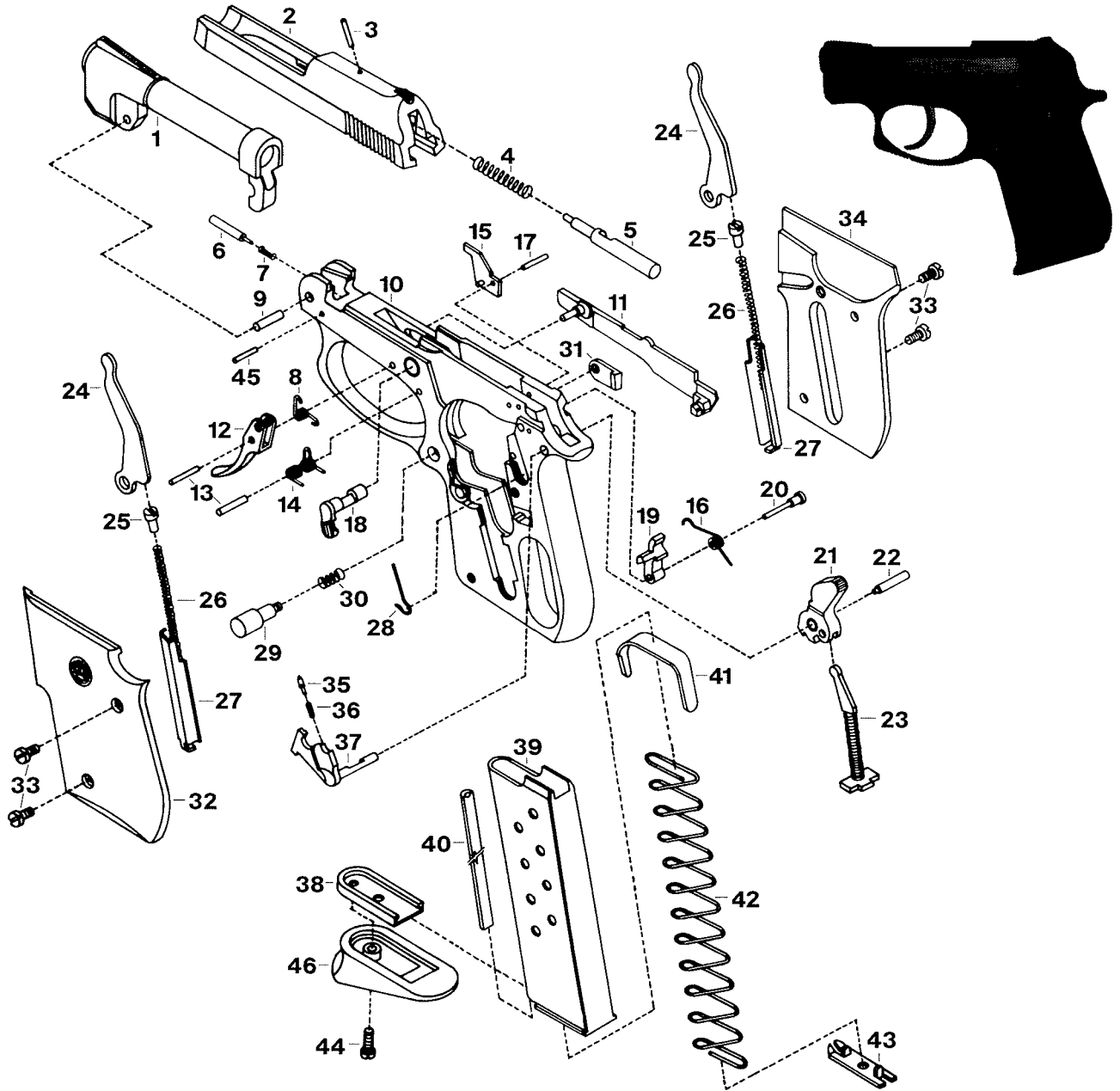
1	Extractor Rod	19	Locking Bolt Pin	37	Mainspring Center Pin
2	Center Pin with Spring	20	Locking Bolt with Spring	38	Mainspring
3	Extractor	21	Barrel Pin	39	Mainspring Adjustable Bushing
4	Cylinder	22	Frame	40	Mainspring Fixed Bushing
5	Extractor Spring with Rod Collar	23	Thumb-Piece	41	Right Stock
6	Yoke	24	Thumb-Piece Screw	42	Hammer
7	Rear Sight Screw	25	Stock Screw	43	Trigger Spring
8	Rear Sight Assembly	26	Left Stock	44	Rebound Slide
9	Rear Sight Leaf	27	Firing Pin	45	Trigger
10	Rear Sight Blade	28	Firing Pin Spring	46	Hand
11	Rear Sight Windage Screw	29	Cylinder Stop Plunger with Spring	47	Hammer Block
12	Click Pins	30	Cylinder Stop Screw	48	Gear
13	Click Pin Springs	31	Firing Pin Retaining Pin	49	Sideplate
14	Windage Nut	32	Cylinder Stop	50	Sideplate Short Screw
15	Safety Ring	33	Trigger Stop	51	Hand Pin with Spring
16	Rear Sight Elevation Screw	34	Trigger Stop Screw	52	Sideplate Long Screws
17	Elevation Nut	35	Bolt		
18	Barrel	36	Bolt Pin with Spring		

Model PT-22 Auto

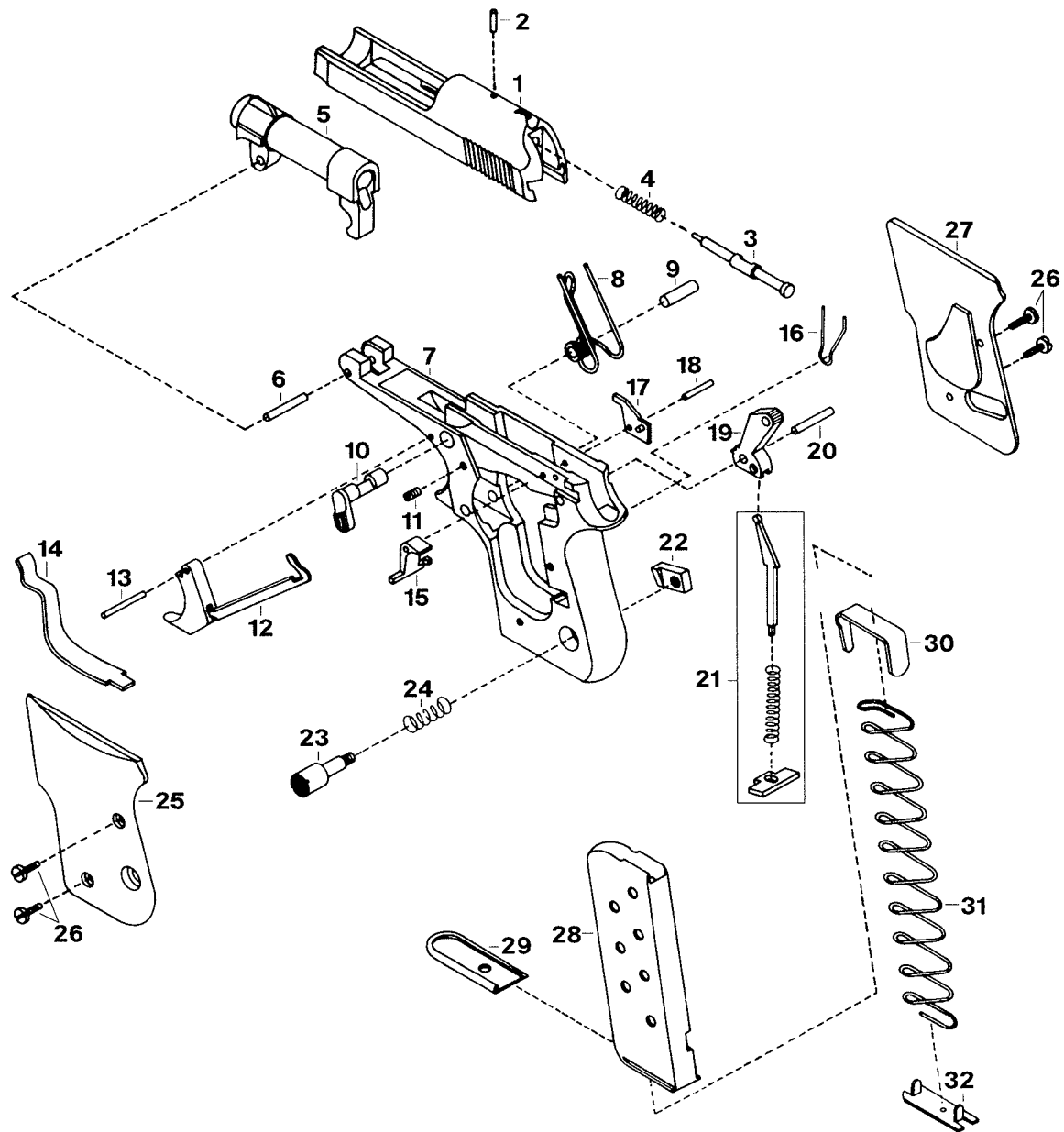


1	Barrel	17	Ejector Pin	33	Grip Screws
2	Slide	18	Barrel Release	34	Right Grip
3	Firing Pin Elastic Pin	19	Sear	35	Safety Spring Pin
4	Firing Pin Spring	20	Sear Pin	36	Safety Spring
5	Firing Pin	21	Hammer	37	Safety
6	Barrel Spring Pin	22	Hammer Pin	38	Magazine Bottom
7	Barrel Spring	23	Hammer Spring Assembly	39	Magazine
8	Trigger Spring	24	Slide Lever	40	Magazine Follower Bushing
9	Barrel Stud	25	Slide Spring Pin	41	Magazine Follower
10	Frame	26	Slide Spring	42	Magazine Spring
11	Trigger Bar	27	Slide Spring Case	43	Magazine Bottom Plate
12	Trigger	28	Sear Spring	44	Magazine Lengthening Screw
13	Pin	29	Magazine Release Button	45	Pin
14	Barrel Release Spring	30	Magazine Release Spring	46	Magazine Lengthening
15	Ejector	31	Magazine Release		
16	Trigger Bar Spring	32	Left Grip		

Model PT-25 Auto

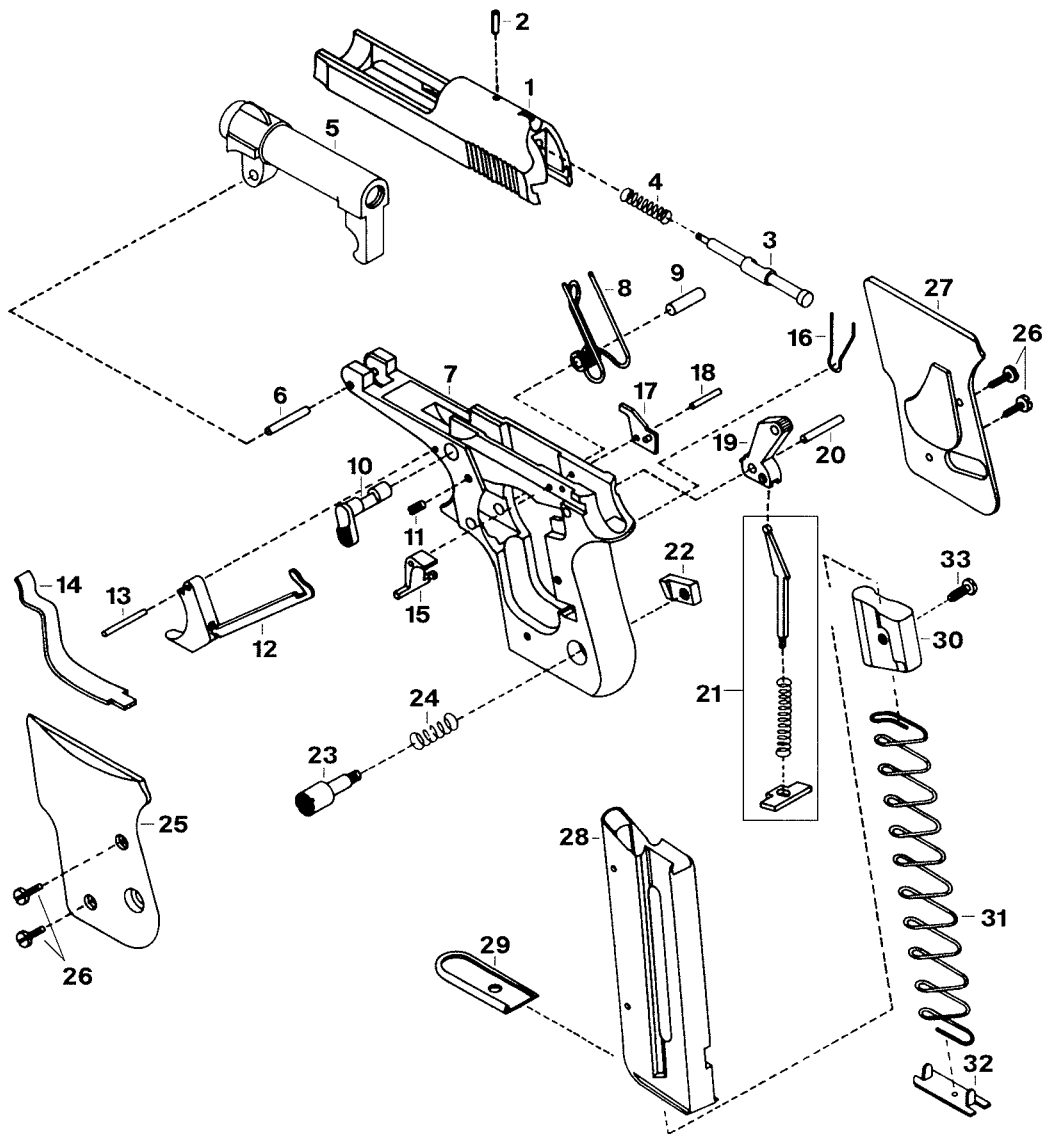


1	Barrel	17	Ejector Pin	33	Grip Screws
2	Slide	18	Barrel Release	34	Right Grip
3	Firing Pin Elastic Pin	19	Sear	35	Safety Spring Pin
4	Firing Pin Spring	20	Sear Pin	36	Safety Spring
5	Firing Pin	21	Hammer	37	Safety
6	Barrel Spring Pin	22	Hammer Pin	38	Magazine Bottom
7	Barrel Spring	23	Hammer Spring Assembly	39	Magazine
8	Trigger Spring	24	Slide Lever	40	Magazine Reducer
9	Barrel Stud	25	Slide Spring Pin	41	Magazine Follower
10	Frame	26	Slide Spring	42	Magazine Spring
11	Trigger Bar	27	Slide Spring Case	43	Magazine Bottom Plate
12	Trigger	28	Sear Spring	44	Magazine Lengthening Screw
13	Trigger Pins	29	Magazine Release Button	45	Pin
14	Barrel Release Spring	30	Magazine Release Spring	46	Magazine Lengthening
15	Ejector	31	Magazine Release		
16	Trigger Bar Spring	32	Left Grip		

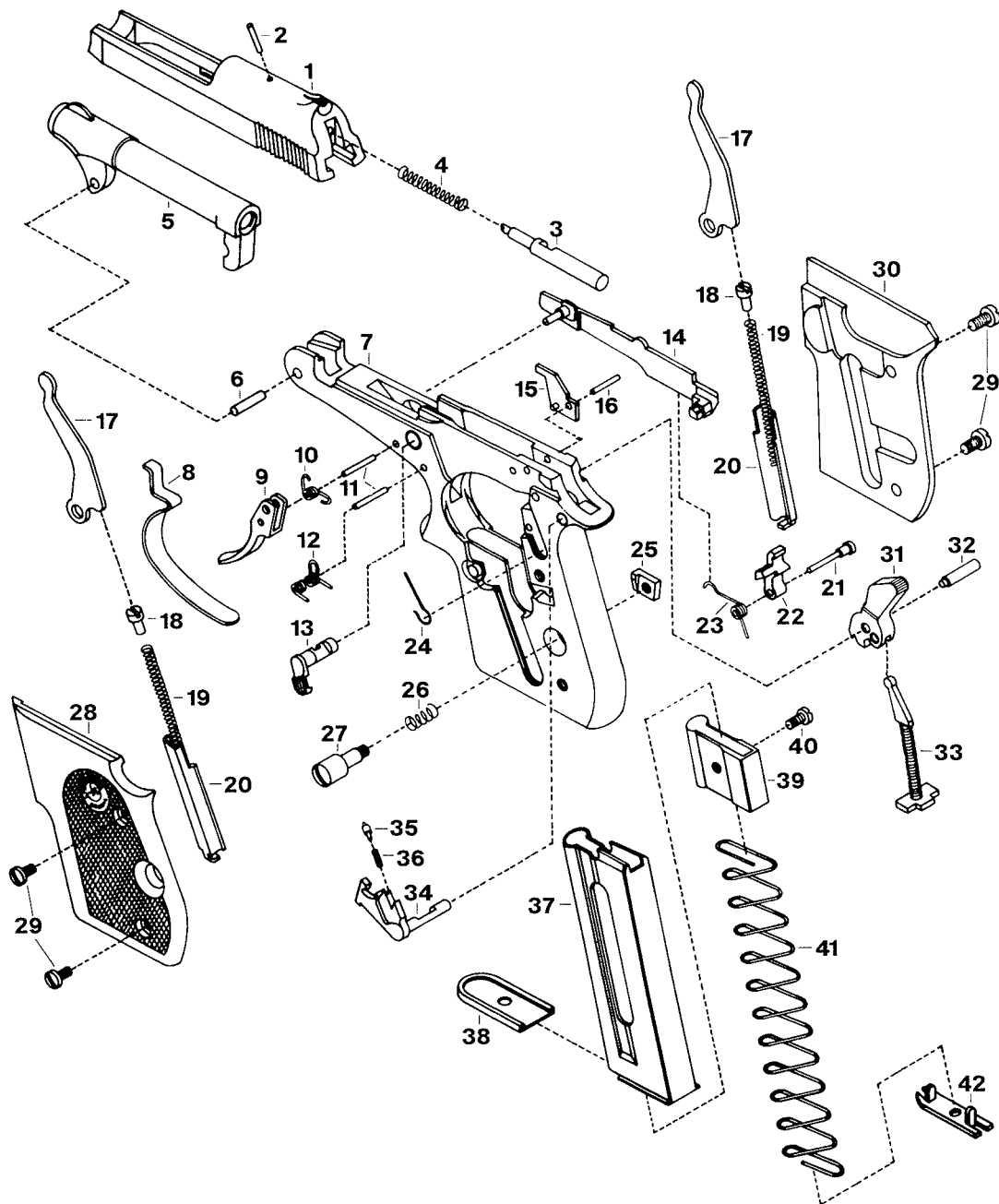


1	Slide	17	Ejector
2	Firing Pin Retaining Pin	18	Ejector Pin and Sear Pin
3	Firing Pin	19	Hammer
4	Firing Pin Spring	20	Hammer Pin
5	Barrel	21	Hammer Spring Assembly
6	Barrel Pin	22	Magazine Release
7	Frame	23	Magazine Release Button
8	Recoil Spring	24	Magazine Release Spring
9	Recoil Spring Pin	25	Left Grip
10	Barrel Release	26	Grip Screws
11	Barrel Release Screw	27	Right Grip
12	Trigger	28	Magazine
13	Trigger Pin	29	Magazine Bottom
14	Trigger Guard	30	Magazine Follower
15	Sear	31	Magazine Spring
16	Sear Spring	32	Magazine Spring Plate

Model PT-53 Auto

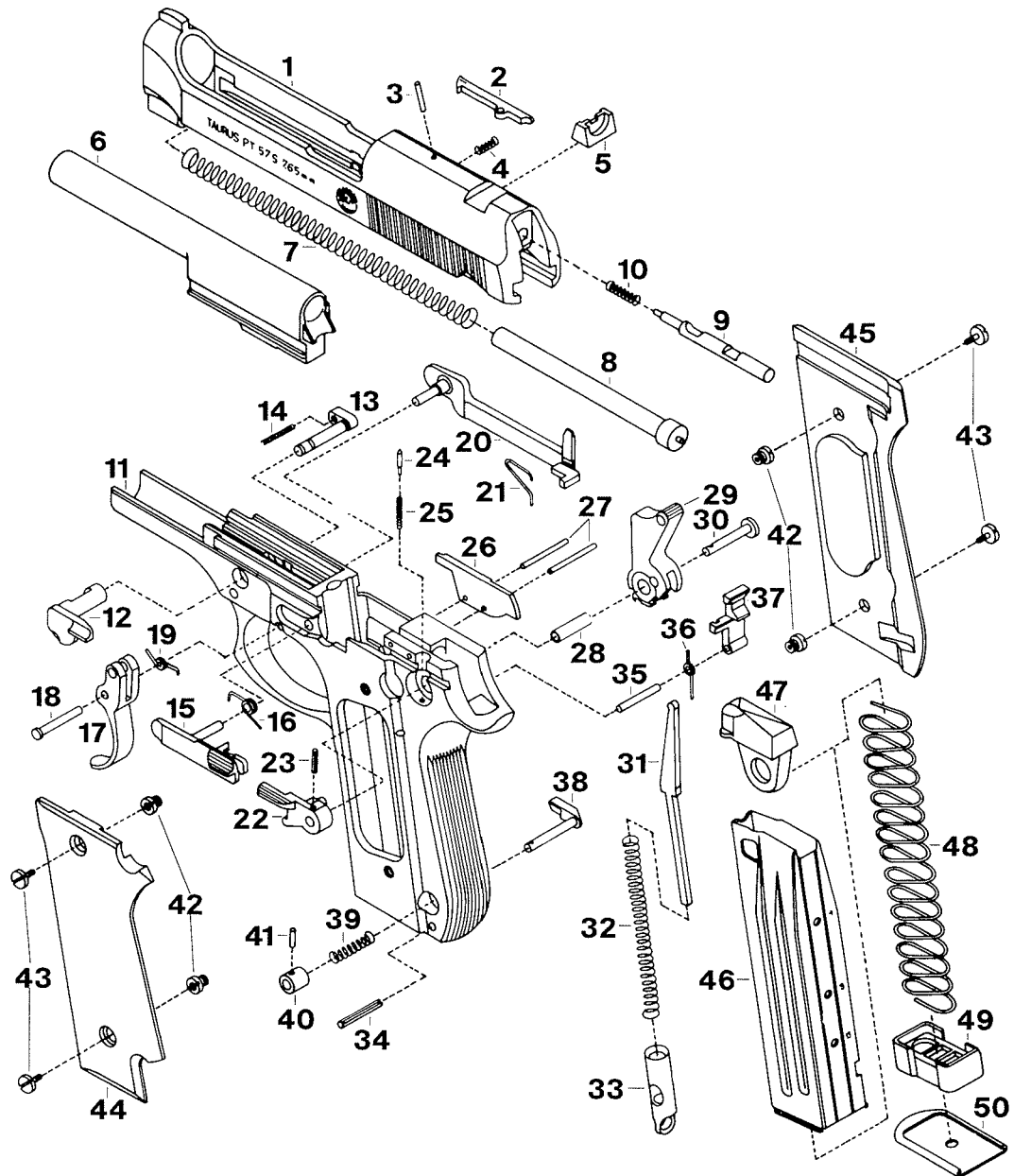


1	Slide	18	Ejector Pin and Sear Pin
2	Firing Pin Retaining Pin	19	Hammer
3	Firing Pin	20	Hammer Pin
4	Firing Pin Spring	21	Hammer Spring Assembly
5	Barrel	22	Magazine Release
6	Barrel Pin	23	Magazine Release Button
7	Frame	24	Magazine Release Spring
8	Recoil Spring	25	Left Grip
9	Recoil Spring Pin	26	Grip Screws
10	Barrel Release	27	Right Grip
11	Barrel Release Screw	28	Magazine
12	Trigger	29	Magazine Bottom
13	Trigger Pin	30	Magazine Follower
14	Trigger Guard	31	Magazine Spring
15	Sear	32	Magazine Spring Plate
16	Sear Spring	33	Magazine Follower Screw
17	Ejector		



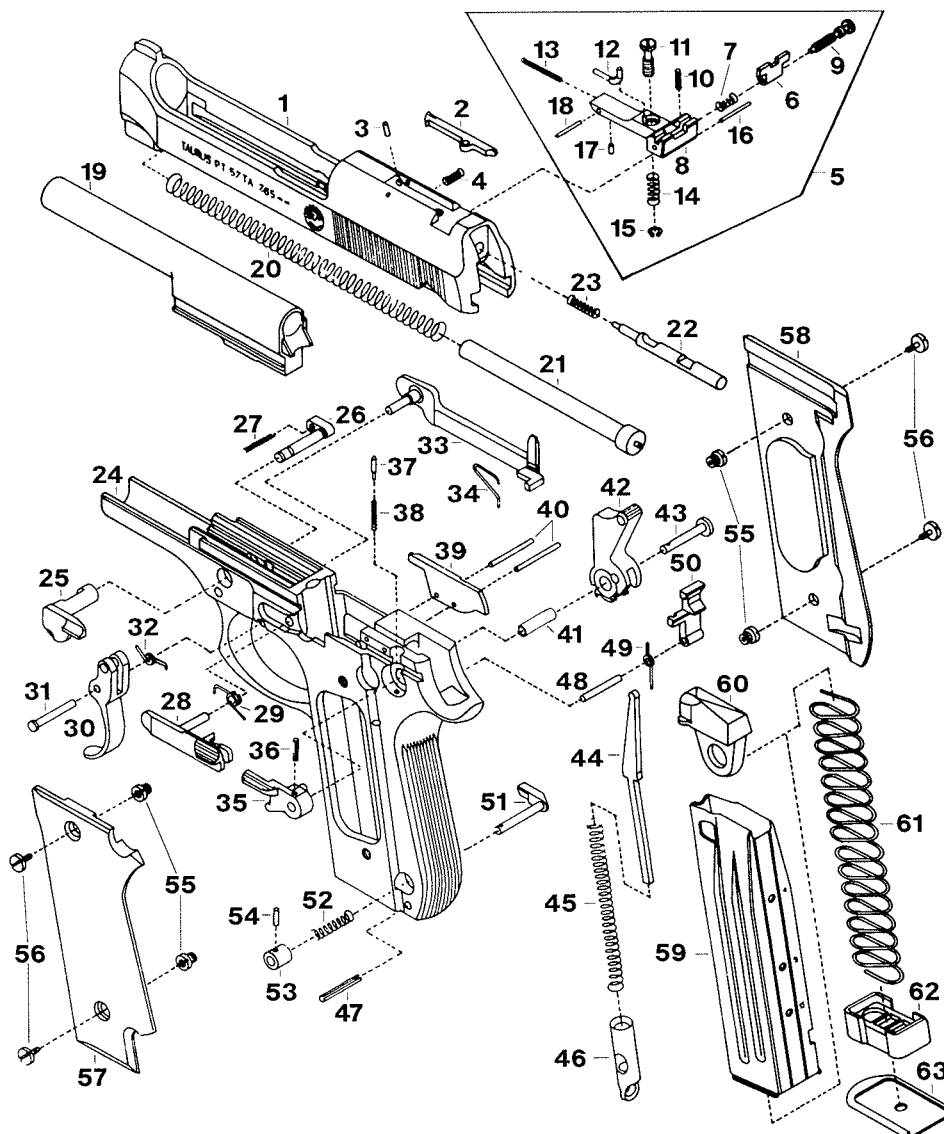
1	Slide	15	Ejector	29	Grip Screws
2	Firing Pin Retaining Pin	16	Ejector Pin	30	Right Grip
3	Firing Pin	17	Slide Lever	31	Hammer
4	Firing Pin Spring	18	Slide Spring Pin	32	Hammer Pin
5	Barrel	19	Slide Spring	33	Hammer Spring Assembly
6	Barrel Pin	20	Slide Spring Case	34	Safety
7	Frame	21	Sear Pin	35	Safety Spring Pin
8	Trigger Guard	22	Sear	36	Safety Spring
9	Trigger	23	Trigger Bar Spring	37	Magazine
10	Trigger Spring	24	Sear Spring	38	Magazine Bottom
11	Trigger Pins	25	Magazine Release	39	Magazine Follower
12	Barrel Release Spring	26	Magazine Release Spring	40	Magazine Follower Screw
13	Barrel Release	27	Magazine Release Button	41	Magazine Spring
14	Trigger Bar	28	Left Grip	42	Magazine Spring Plate

Model PT-57 S Auto



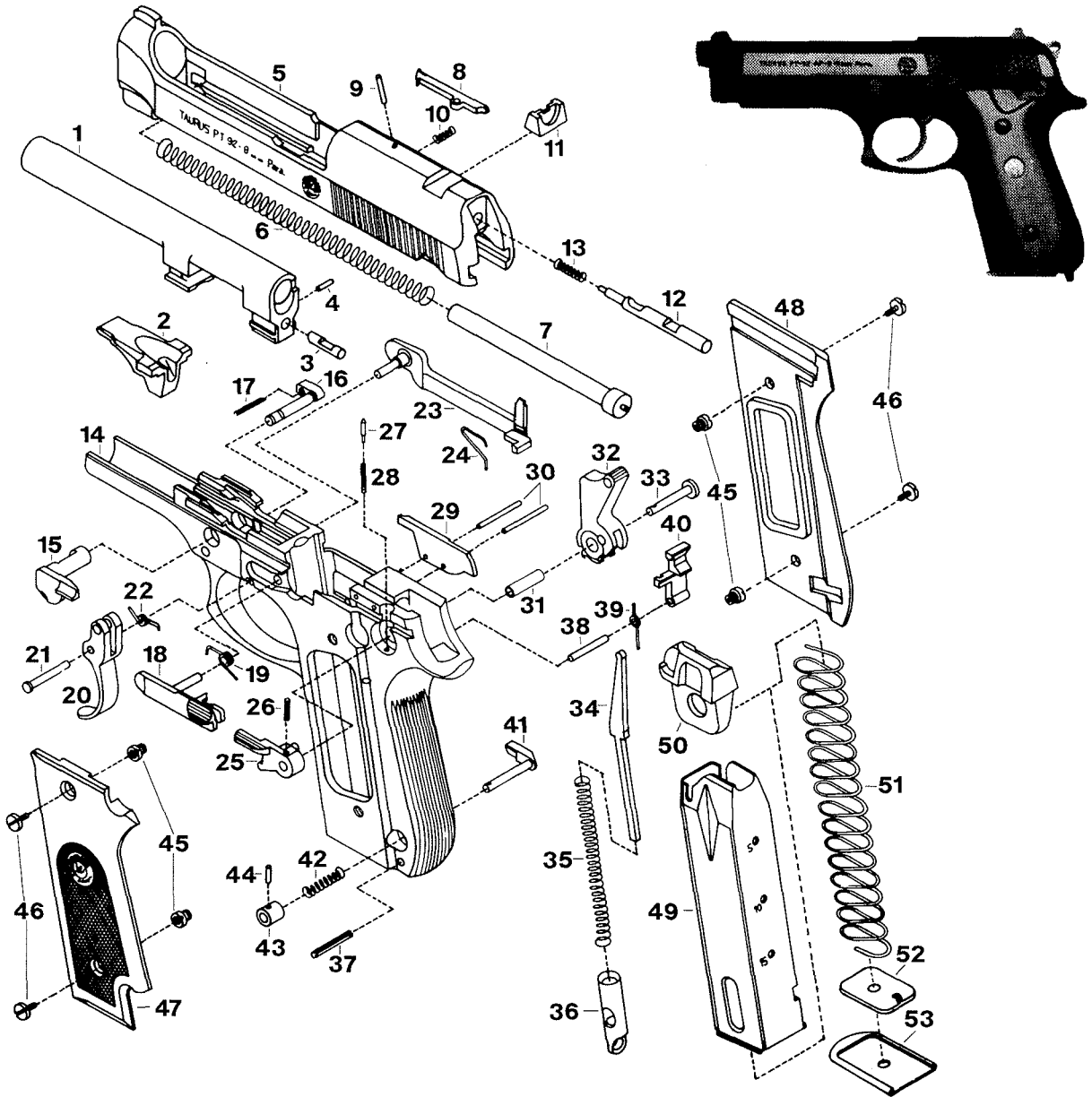
1	Slide	17	Trigger	34	Hammer Strut Guide Pin
2	Extractor	18	Trigger Pin	35	Sear Pin
3	Extractor Pin	19	Trigger Spring	36	Sear Spring
4	Extractor Spring	20	Trigger Bar	37	Sear
5	Rear Sight	21	Trigger Bar Spring	38	Magazine Release Button
6	Barrel	22	Safety	39	Magazine Release Button Spring
7	Recoil Spring	23	Safety Elastic Pin	40	Magazine Release Button Bushing
8	Recoil Spring Guide	24	Safety Spring Pin	41	Magazine Release Button Pin
9	Firing Pin	25	Safety Spring	42	Grip Bushings
10	Firing Pin Spring	26	Ejector	43	Grip Screws
11	Frame	27	Ejector Pins	44	Left Grip
12	Disassembling Latch	28	Hammer Bushing	45	Right Grip
13	Disassembling Latch Release	29	Hammer	46	Magazine Box
14	Disassembling Latch Release<R>Spring	30	Safety Pin	47	Magazine Follower
15	Slide Catch	31	Hammer Spring Strut	48	Magazine Spring
16	Slide Catch Spring	32	Hammer Spring	49	Magazine Plate
		33	Hammer Strut Guide	50	Magazine Bottom

Model PT-57 TA Auto



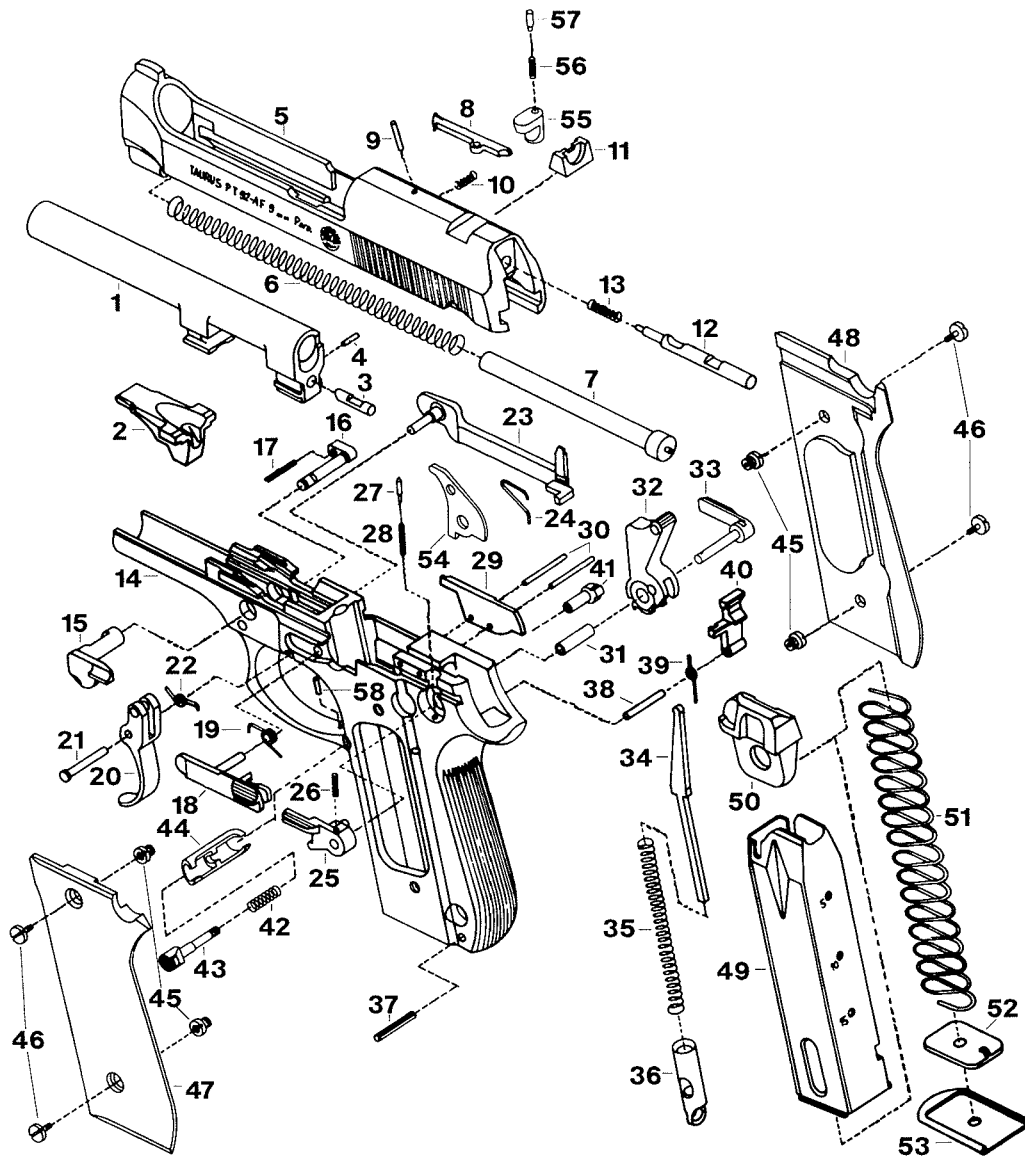
1	Slide	22	Firing Pin	43	Safety Pin
2	Extractor	23	Firing Pin Spring	44	Hammer Spring Strut
3	Extractor Pin	24	Frame	45	Hammer Spring
4	Extractor Spring	25	Disassembling Latch	46	Hammer Strut Guide
5	Rear Sight Complete	26	Disassembling Latch Release	47	Hammer Strut Guide Pin
6	Rear Sight Blade	27	Disassembling Latch Release Spring	48	Sear Pin
7	Rear Sight Spring	28	Slide Catch	49	Sear Spring
8	Rear Sight Leaf	29	Slide Catch Spring	50	Sear
9	Rear Sight Windage Screw	30	Trigger	51	Magazine Release Button
10	Rear Sight Windage Screw Pin	31	Trigger Pin	52	Magazine Release Button Spring
11	Rear Sight Elevation Screw	32	Trigger Spring	53	Magazine Release Button Bushing
12	Rear Sight Elevation Pin	33	Trigger Bar	54	Magazine Release Button Pin
13	Rear Sight Elevation Pin Spring	34	Trigger Bar Spring	55	Grip Bushings
14	Rear Sight Leaf Elevation Spring	35	Safety	56	Grip Screws
15	Rear Sight Ring	36	Safety Elastic Pin	57	Left Grip
16	Rear Sight Windage Pin	37	Safety Spring Pin	58	Right Grip
17	Rear Sight Spring Limiting Pin	38	Safety Spring	59	Magazine Box
18	Rear Sight Pin	39	Ejector	60	Magazine Follower
19	Barrel	40	Ejector Pins	61	Magazine Spring
20	Recoil Spring	41	Hammer Bushing	62	Magazine Plate
21	Recoil Spring Guide	42	Hammer	63	Magazine Bottom

Model PT-92 Auto



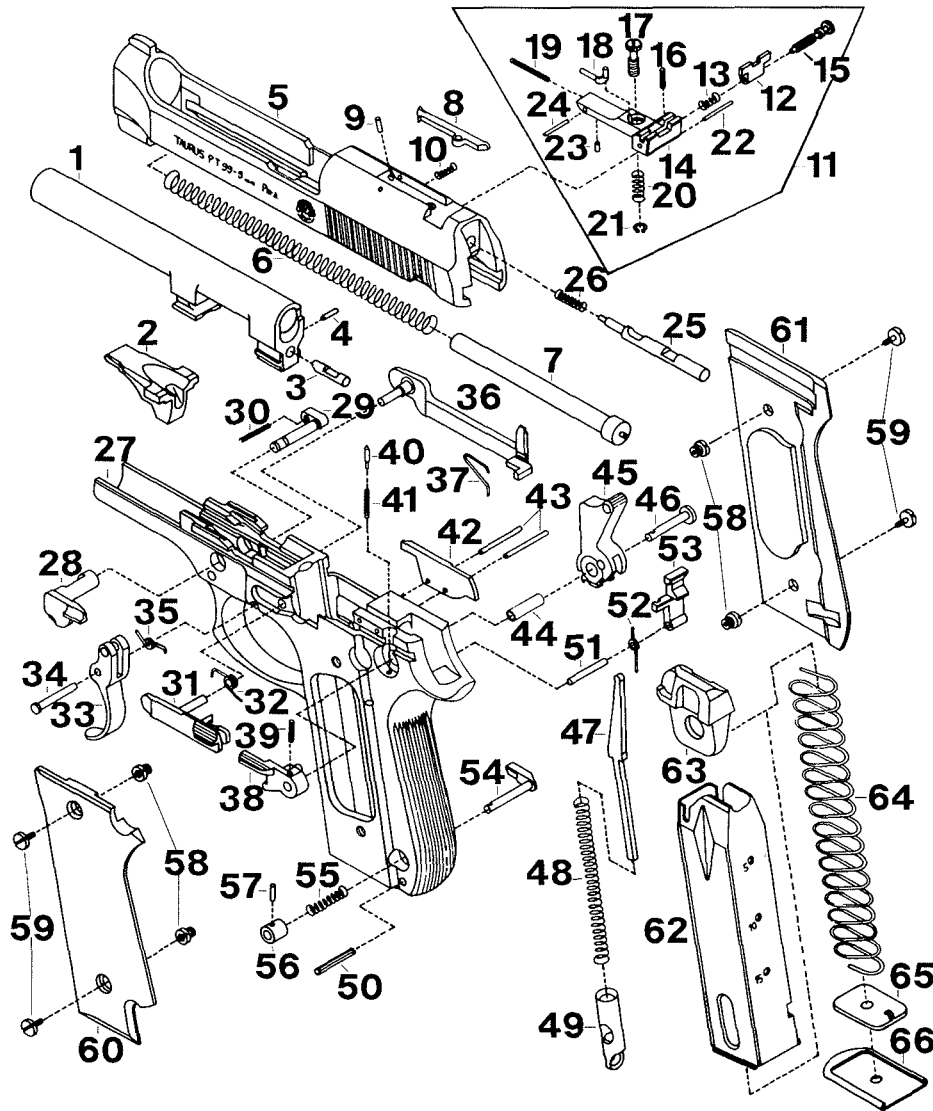
1	Barrel	19	Slide Catch Spring	37	Hammer Strut Guide Pin
2	Locking Block	20	Trigger	38	Sear Pin
3	Locking Block Plunger	21	Trigger Pin	39	Sear Spring
4	Locking Block Plunger Pin	22	Trigger Spring	40	Sear
5	Slide	23	Trigger Bar	41	Magazine Release Button
6	Recoil Spring	24	Trigger Bar Spring	42	Magazine Release Button Spring
7	Recoil Spring Guide	25	Safety	43	Magazine Release Button Bushing
8	Extractor	26	Safety Elastic Pin	44	Magazine Release Button Pin
9	Extractor Pin	27	Safety Spring Pin	45	Grip Bushings
10	Extractor Spring	28	Safety Spring	46	Grip Screws
11	Rear Sight	29	Ejector	47	Left Grip
12	Firing Pin	30	Ejector Pins	48	Right Grip
13	Firing Pin Spring	31	Hammer Bushing	49	Magazine Box
14	Frame	32	Hammer	50	Magazine Follower
15	Diasassembling Latch	33	Safety Pin	51	Magazine Spring
16	Disassembling Latch Release	34	Hammer Spring Strut	52	Magazine Plate
17	Latch Release Spring	35	Hammer Spring	53	Magazine Bottom
18	Slide Catch	36	Hammer Strut Guide		

Model PT-92 AF Auto



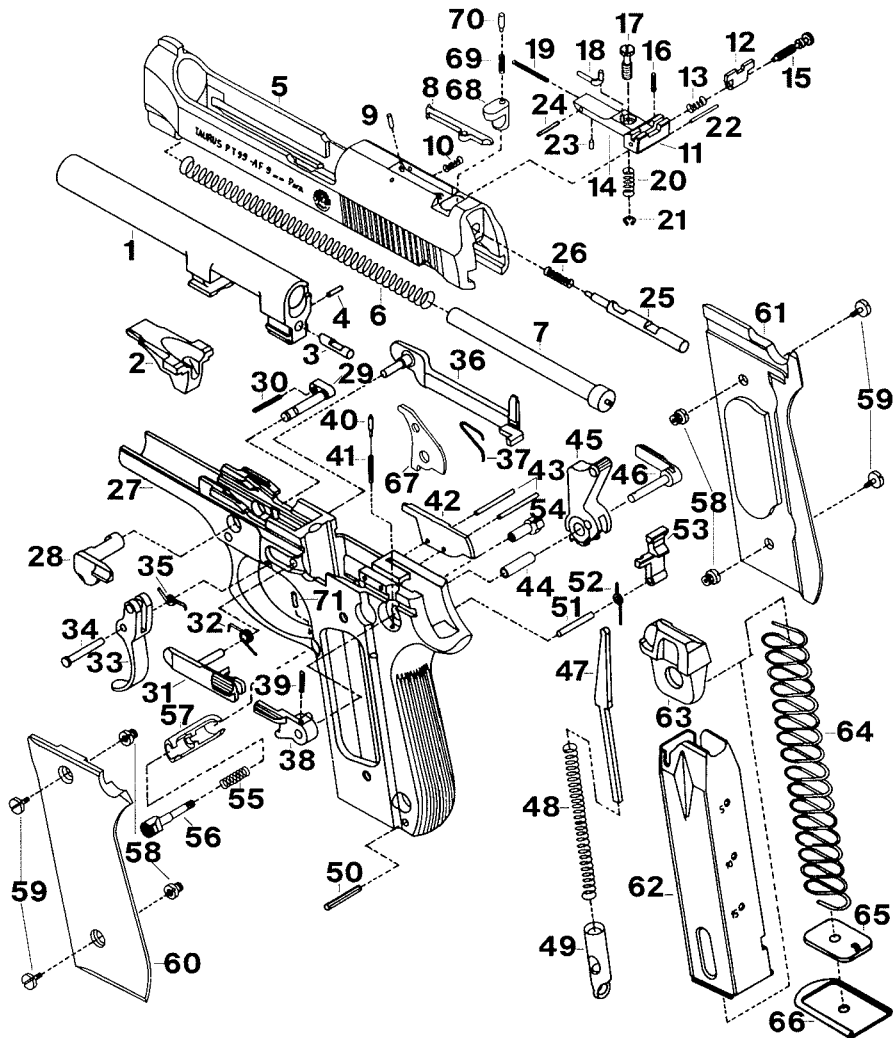
1	Barrel	21	Trigger Pin	41	Magazine Release
2	Locking Block	22	Trigger Spring	42	Magazine Release Spring
3	Locking Block Plunger	23	Trigger Bar	43	Magazine Release Button
4	Locking Block Plunger Pin	24	Trigger Bar Spring	44	Magazine Release Case
5	Slide	25	Safety	45	Grip Bushings
6	Recoil Spring	26	Safety Elastic Pin	46	Grip Screws
7	Recoil Spring Guide	27	Safety Spring Pin	47	Left Grip
8	Extractor	28	Safety Spring	48	Right Grip
9	Extractor Pin	29	Ejector	49	Magazine Box
10	Extractor Spring	30	Ejector Pins	50	Magazine Follower
11	Rear Sight	31	Hammer Bushing	51	Magazine Spring
12	Firing Pin	32	Hammer	52	Magazine Plate
13	Firing Pin Spring	33	Safety	53	Magazine Bottom
14	Frame	34	Hammer Spring Strut	54	Firing Pin Block Lever
15	Disassembling Latch	35	Hammer Spring	55	Firing Pin Block
16	Disassembling Latch Release	36	Hammer Strut Guide	56	Firing Pin Block Spring
17	Disassembling Latch Release Spring	37	Hammer Strut Guide Pin	57	Firing Pin Block Pin
18	Slide Catch	38	Sear Pin	58	Magazine Release Case Pin
19	Slide Catch Spring	39	Sear Spring		
20	Trigger	40	Sear		

Model PT-99 Auto



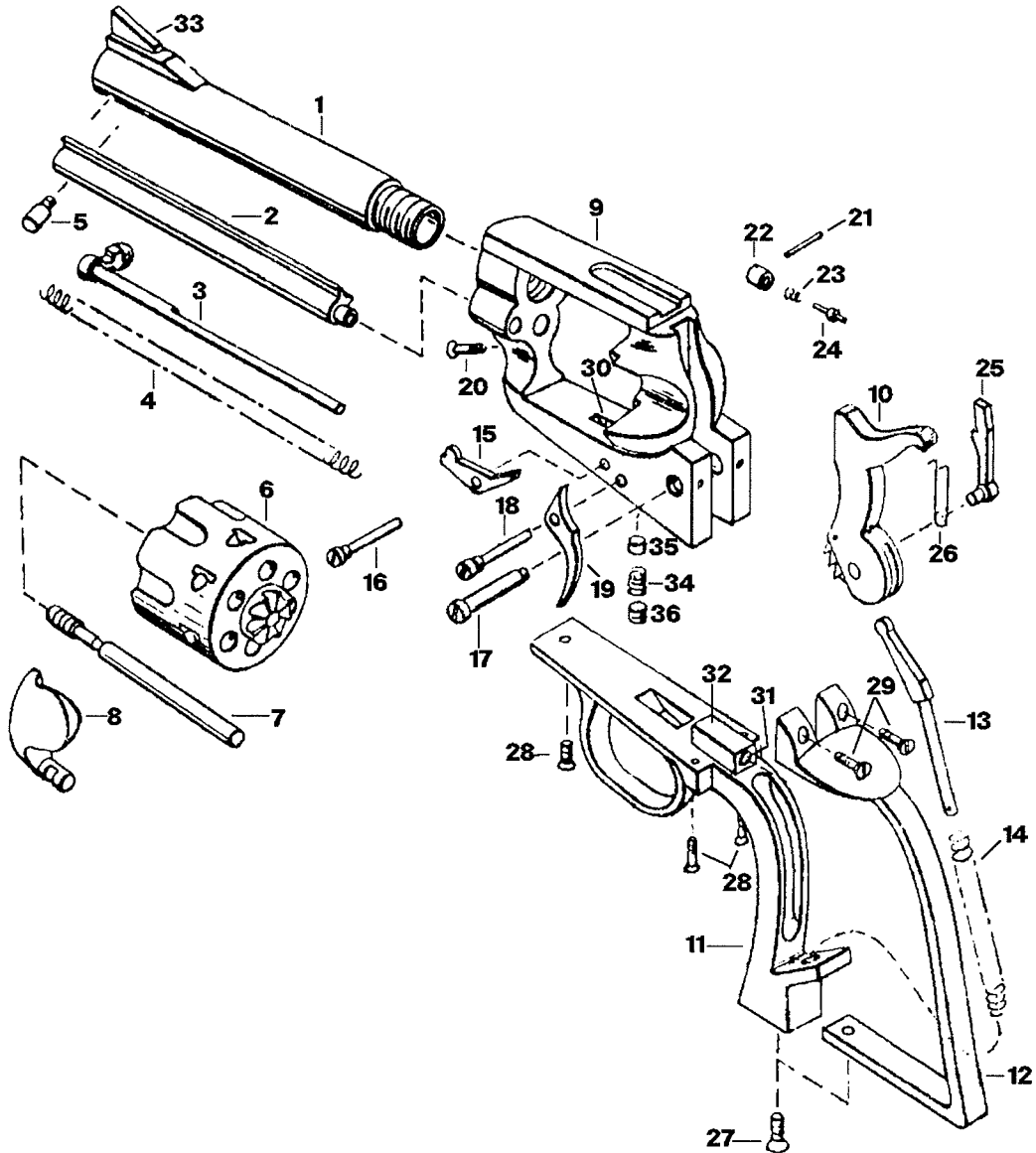
1	Barrel	23	Rear Sight Spring Limiting Pin	45	Hammer
2	Locking Block	24	Rear Sight Pin	46	Safety Pin
3	Locking Block Plunger	25	Firing Pin	47	Hammer Spring Strut
4	Locking Block Plunger Pin	26	Firing Pin Spring	48	Hammer Spring
5	Slide	27	Frame	49	Hammer Strut Guide
6	Recoil Spring	28	Disassembling Latch	50	Hammer Strut Guide Pin
7	Recoil Spring Guide	29	Disassembling Latch Release	51	Sear Pin
8	Extractor	30	Disassembling Latch Release Spring	52	Sear Spring
9	Extractor Pin	31	Slide Catch	53	Sear
10	Extractor Spring	32	Slide Catch Spring	54	Magazine Release Button
11	Rear Sight Assembly	33	Trigger	55	Magazine Release Button Spring
12	Rear Sight Blade	34	Trigger Pin	56	Magazine Release Button Bushing
13	Rear Sight Spring	35	Trigger Spring	57	Magazine Release Button Pin
14	Rear Sight Leaf	36	Trigger Bar	58	Grip Bushings
15	Rear Sight Windage Screw	37	Trigger Bar Spring	59	Grip Screws
16	Rear Sight Windage Screw Pin	38	Safety	60	Left Grip
17	Rear Sight Elevation Screw	39	Safety Elastic Pin	61	Right Grip
18	Rear Sight Elevation Pin	40	Safety Spring Pin	62	Magazine Box
19	Rear Sight Elevation Pin Spring	41	Safety Spring	63	Magazine Follower
20	Rear Sight Leaf Elevation Spring	42	Ejector	64	Magazine Spring
21	Rear Sight Ring	43	Ejector Pins	65	Magazine Plate
22	Sight Windage Pin	44	Hammer Bushing	66	Magazine Bottom

Model PT-99 AF Auto



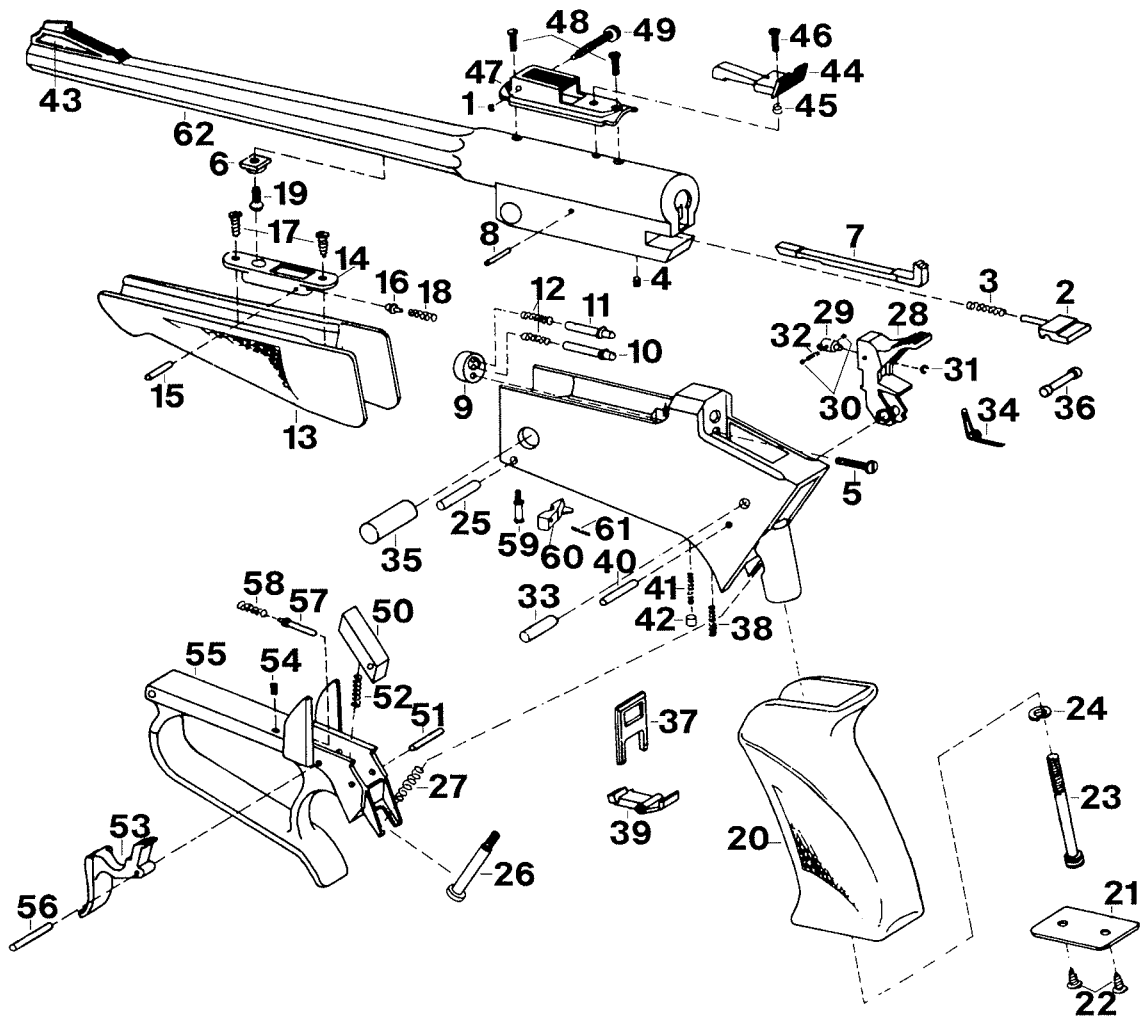
1	Barrel	25	Firing Pin	48	Hammer Spring
2	Locking Block	26	Firing Pin Spring	49	Hammer Strut Guide
3	Locking Block Plunger	27	Frame	50	Hammer Strut Guide Pin
4	Locking Block Plunger Pin	28	Disassembling Latch	51	Sear Pin
5	Slide	29	Disassembling Latch Release	52	Sear Spring
6	Recoil Spring	30	Disassembling Latch Release Spring	53	Sear
7	Recoil Spring Guide	31	Slide Catch	54	Magazine Release
8	Extractor	32	Slide Catch Spring	55	Magazine Release Spring
9	Extractor Pin	33	Trigger	56	Magazine Release Button
10	Extractor Spring	34	Trigger Pin	57	Magazine Release Case
11	Rear Sight Complete	35	Trigger Spring	58	Grip Bushings
12	Rear Sight Blade	36	Trigger Bar	59	Grip Screws
13	Rear Sight Spring	37	Trigger Bar Spring	60	Left Grip
14	Rear Sight Leaf	38	Safety	61	Right Grip
15	Rear Sight Windage Screw	39	Safety Elastic Pin	62	Magazine Box
16	Rear Sight Windage Screw Pin	40	Safety Spring Pin	63	Magazine Follower
17	Rear Sight Elevation Screw	41	Safety Spring	64	Magazine Spring
18	Rear Sight Elevation Pin	42	Ejector	65	Magazine Plate
19	Rear Sight Elevation Pin Spring	43	Ejector Pins	66	Magazine Bottom
20	Rear Sight Leaf Elevation Spring	44	Hammer Bushing	67	Firing Pin Block Lever
21	Rear Sight Ring	45	Hammer	68	Firing Pin Block
22	Rear Sight Windage Pin	46	Safety Pin	69	Firing Pin Block Spring
23	Rear Sight Spring Limiting Pin	47	Hammer Spring Strut	70	Firing Pin Block Pin
24	Rear Sight Pin			71	Magazine Release Case Pin

Single-Action Revolver



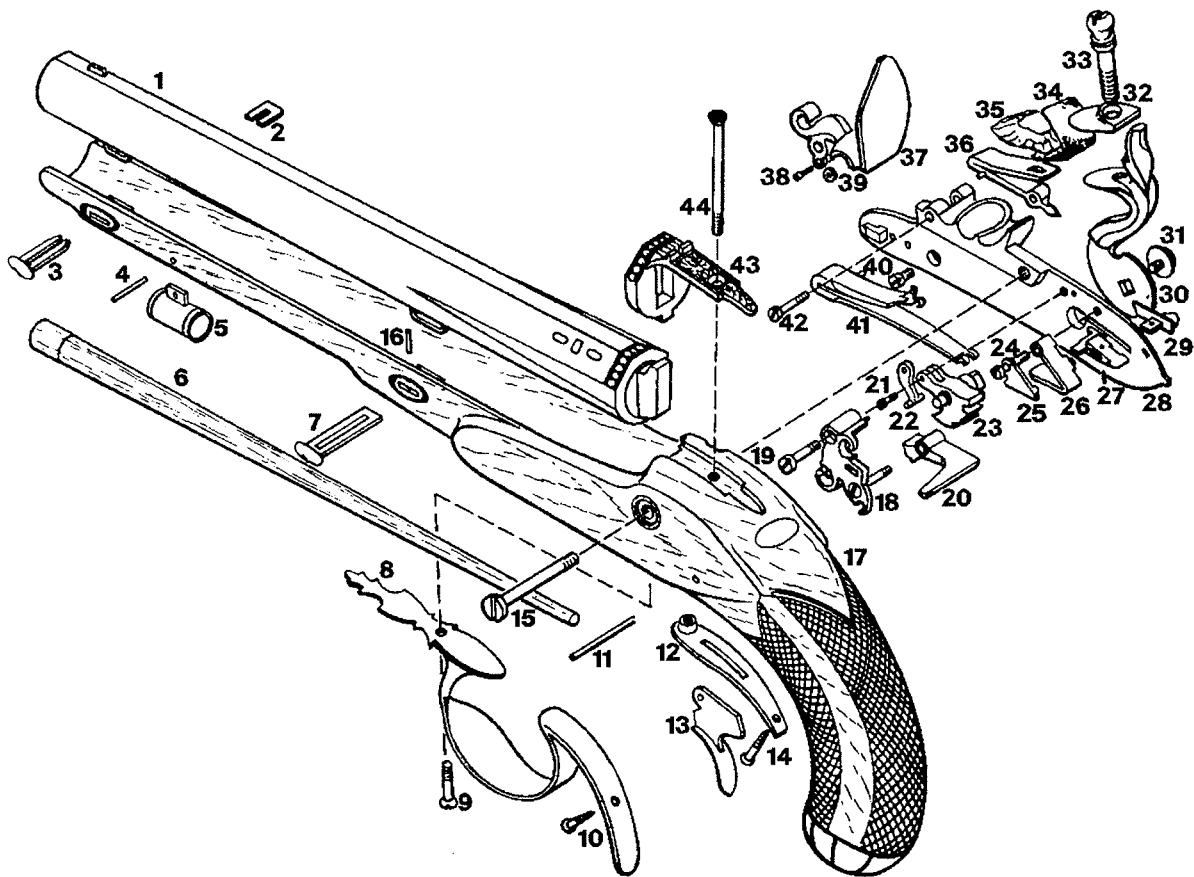
1	Barrel	21	Recoil Retaining Screw
2	Ejector Housing	22	Recoil Plate
3	Ejector Rod	23	Firing Pin Spring
4	Ejector Spring	24	Firing Pin
5	Ejector Housing Screw	25	Hand
6	Cylinder	26	Hand Spring
7	Cylinder Pin	27	Lower Backstrap Screw
8	Loading Gate	28	Trigger Guard Screws
9	Frame	29	Upper Backstrap Screws
10	Hammer	30	Bolt Window
11	Trigger Guard	31	Trigger Spring Adjustment Hole
12	Backstrap	32	Trigger Spring Block
13	Hammer Strut	33	Front Sight
14	Mainspring	34	Loading Gate Spring
15	Cylinder Bolt	35	Loading Gate Plunger
16	Cylinder Bolt Screw	36	Loading Gate Screw
17	Hammer Pivot Screw		
18	Trigger Pivot Screw		
19	Trigger		
20	Cylinder Pin Screw		
		Parts Not Shown	
			Rear Sight
			Grips

Contender (Old Style)



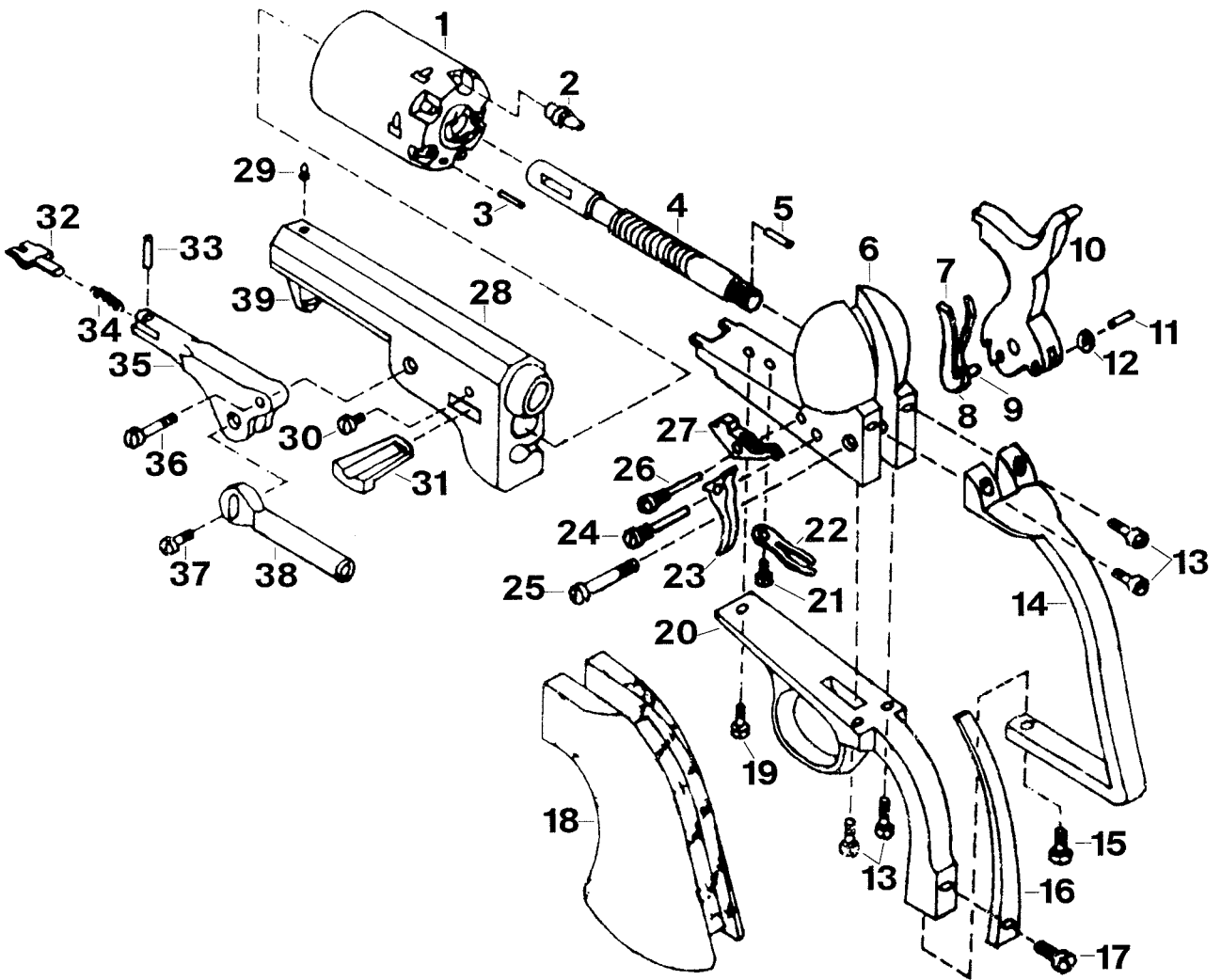
1	Adjusting Screw Snap Ring	23	Grip Screw	45	Rear Sight Elevating Spring
2	Bolt	24	Grip Screw Washer	46	Rear Sight Elevation
3	Bolt Spring	25	Guard Pin		Adjusting<R>Screw
4	Bolt Stop Screw	26	Guard Stop Screw	47	Rear Sight Housing
5	Bushing Screw	27	Guard Stop Spring	48	Rear Sight Screws
6	Dovetail Lock	28	Hammer	49	Rear Sight Windage
7	Extractor	29	Hammer Nose		Adjusting<R>Screw
8	Extractor Stop Pin	30	Hammer Nose Detents	50	Striker
9	Firing Pin Bushing	31	Hammer Nose Snap Ring	51	Striker Pin
10	Firing Pin, Centerfire	32	Hammer Nose Spring	52	Striker Spring
11	Firing Pin, Rimfire	33	Hammer Pin	53	Trigger
12	Firing Pin Springs	34	Hammer Spring	54	Trigger Adjusting Screw
13	Forend	35	Hinge Pin	55	Trigger Guard
14	Forend Catch	36	Roller	56	Trigger Pin
15	Forend Catch Pin	37	Safety	57	Trigger Return Plunger
16	Forend Catch Plunger	38	Safety Spring	58	Trigger Spring
17	Forend Catch Screws	39	Sear	59	Safety Screw
18	Forend Catch Spring	40	Sear Pin	60	Interlock Safety
19	Forend Lug	41	Sear Spring	61	Safety Screw
20	Grip	42	Sear Plunger	62	Barrel
21	Grip Cap	43	Front Sight		
22	Grip Cap Screws	44	Rear Sight Blade		

TYPICAL FLINTLOCK PISTOL



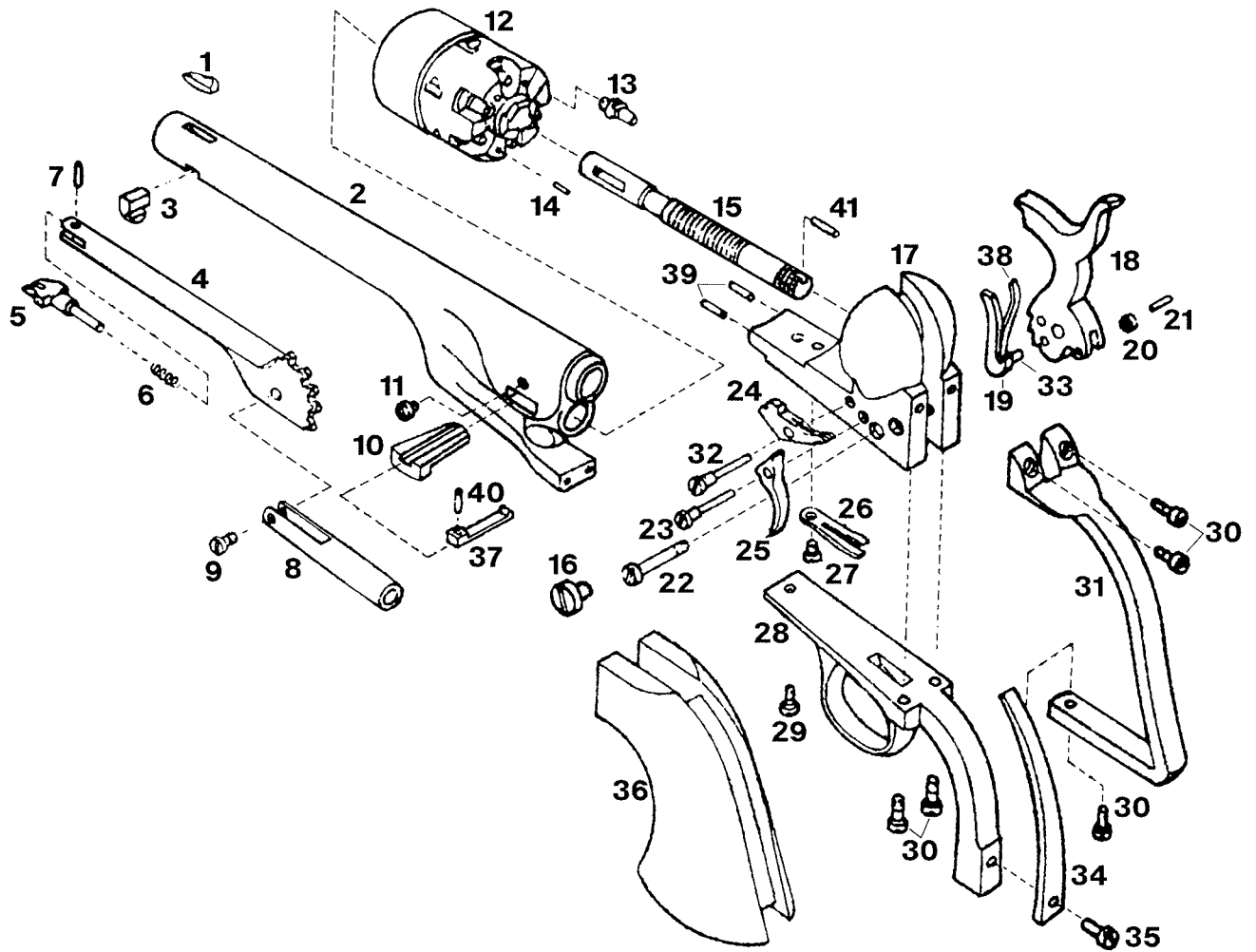
1	Barrel	23	Tumbler
2	Barrel Wedge Key	24	Sear Cover Screw
3	Barrel Wedge	25	Sear Spring Cover
4	Thimble Pin	26	Sear Spring
5	Thimble	27	Safety-Lever Pin
6	Ramrod	28	Lockplate
7	Rear Barrel Wedge	29	Hammer Safety-Lever
8	Trigger Guard	30	Hammer
9	Trigger Guard/Plate Screw	31	Hammer Screw
10	Rear Guard Screw	32	Top Jaw
11	Trigger Pin	33	Jaw Screw
12	Trigger Plate	34	Flint Leather
13	Trigger	35	Flint
14	Rear Trigger Plate Screw	36	Frizzen Spring
15	Lock Plate Screw	37	Frizzen
16	Escutcheon Plate Pin	38	Frizzen Screw
17	Stock	39	Frizzen Bushing
18	Bridle	40	Frizzen Spring Screw
19	Bridle Screw	41	Mainspring
20	Sear	42	Frizzen Spring Screw
21	Stirrup Screw	43	Tang
22	Stirrup	44	Tang Screw

1849 Pocket Revolver



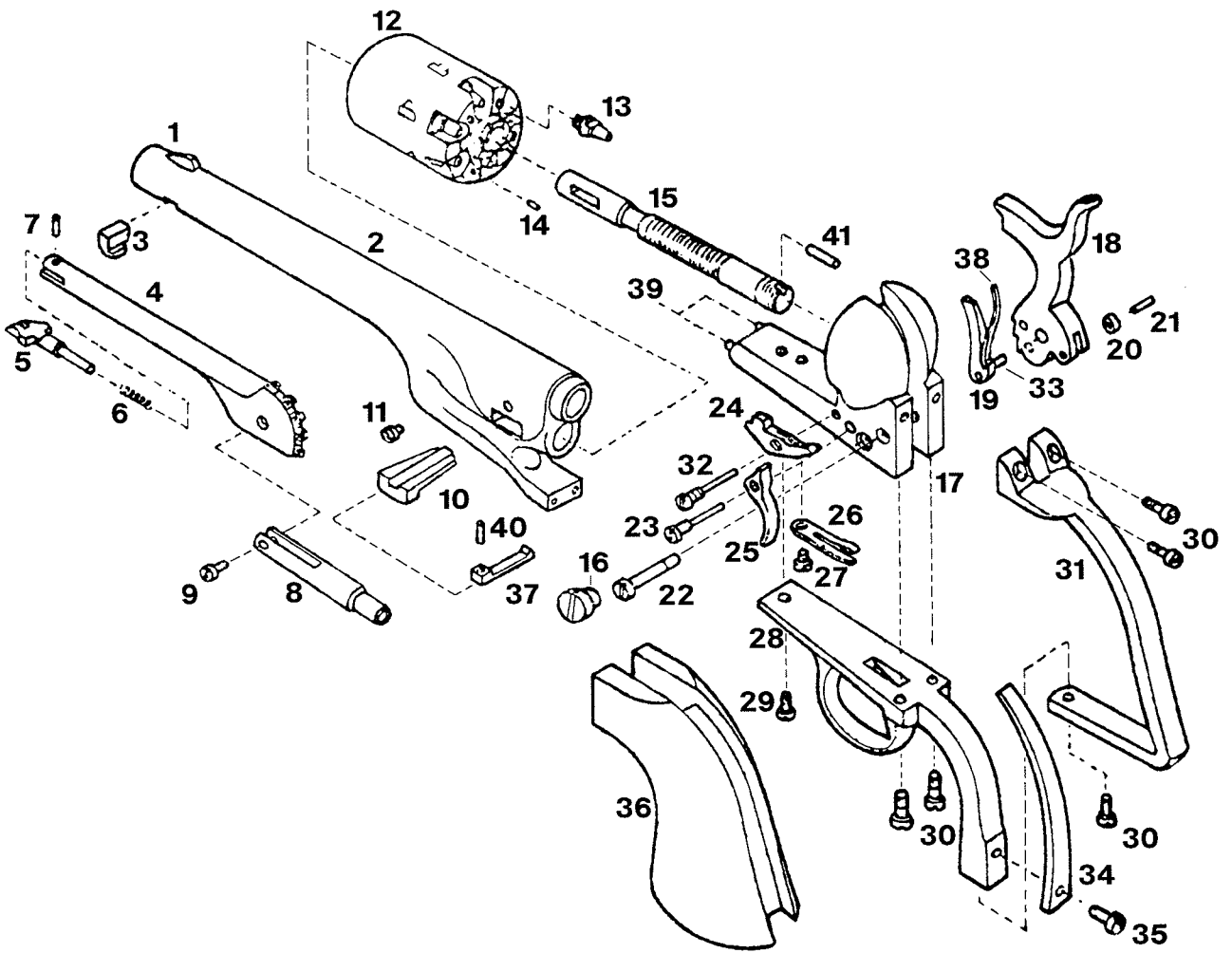
1	Cylinder	21	Trigger Bolt Spring Screw
2	Nipple	22	Trigger Bolt Spring
3	Safety Pin	23	Trigger
4	Base Pin	24	Trigger Screw
5	Cylinder Pin Lock Pin	25	Hammer Screw
6	Frame	26	Bolt Screw
7	Hand Spring	27	Bolt
8	Hand	28	Barrel
9	Hand Spring Pin	29	Sight
10	Hammer	30	Wedge Screw
11	Roller Pin	31	Wedge
12	Roller	32	Loading Lever Latch
13	Rear Backstrap Screws	33	Loading Lever Latch Pin
14	Backstrap	34	Loading Lever Latch Spring
15	Rear Trigger Guard Screw	35	Loading Lever
16	Mainspring	36	Loading Lever Screw
17	Mainspring Screw	37	Plunger Screw
18	Grip	38	Plunger
19	Front Trigger Guard Screw	39	Barrel Stud
20	Trigger Guard		

1860 Army Revolver



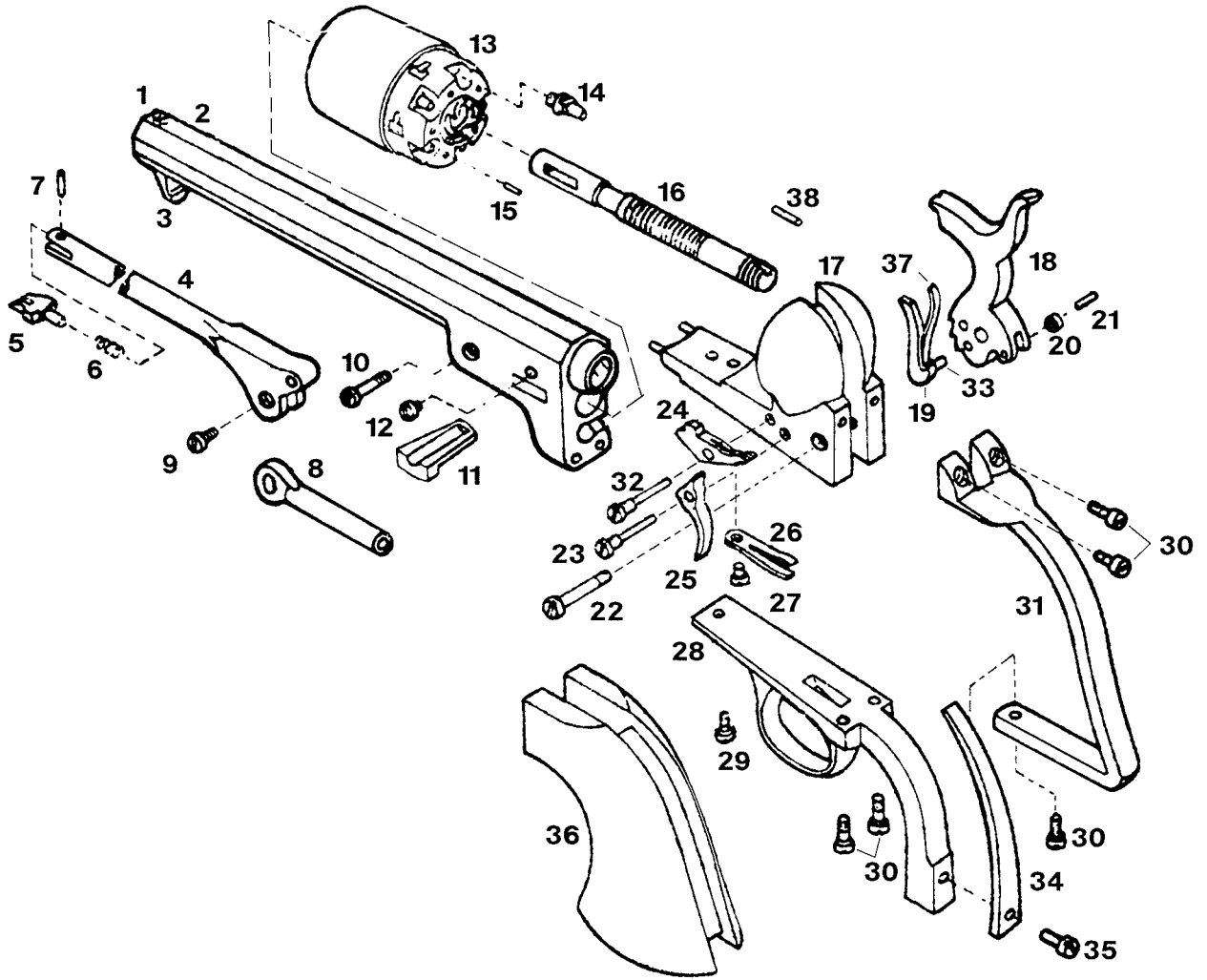
1	Front Sight	22	Hammer Screw
2	Barrel	23	Trigger Screw
3	Barrel Stud	24	Bolt
4	Loading Lever	25	Trigger
5	Loading Lever Latch	26	Trigger Bolt Spring
6	Loading Lever Latch Spring	27	Trigger Bolt Spring Screw
7	Loading Lever Latch Pin	28	Trigger Guard
8	Plunger	29	Front Trigger Guard Screw
9	Plunger Screw	30	Rear Backstrap Screws
10	Wedge	31	Backstrap
11	Wedge Screw	32	Bolt Screw
12	Cylinder	33	Hand Spring Pin
13	Nipple	34	Mainspring
14	Safety Pins	35	Mainspring Screw
15	Base Pin	36	Grip
16	Stock Screw	37	Wedge Spring
17	Frame With Pin	38	Hand Spring
18	Hammer	39	Barrel Guide Pins
19	Hand	40	Wedge Pin
20	Roller	41	Cylinder Pin Lock Pin
21	Roller Pin		

1861 Navy Revolver



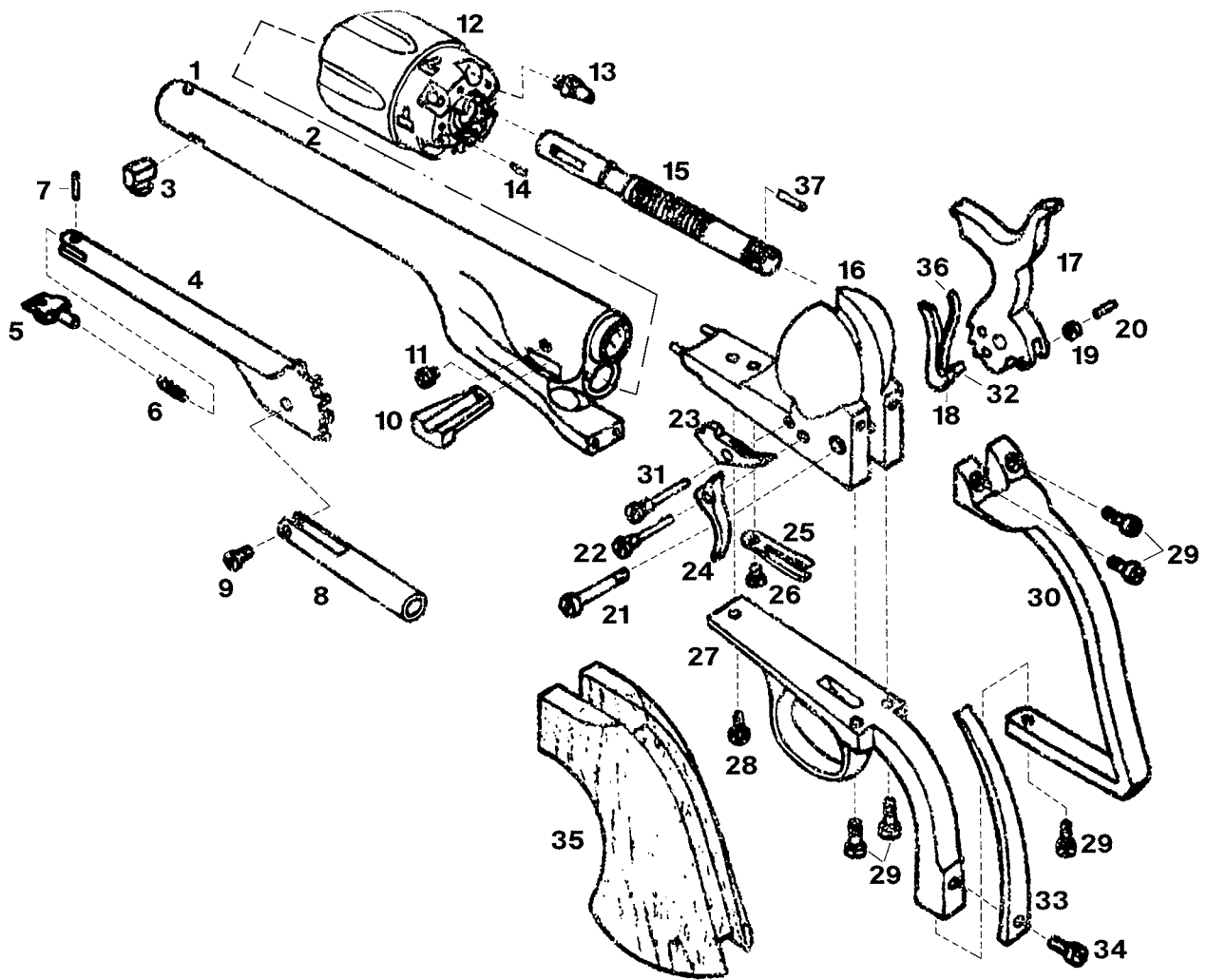
1	Front Sight	22	Hammer Screw
2	Barrel	23	Trigger Screw
3	Barrel Stud	24	Bolt
4	Loading Lever	25	Trigger
5	Loading Lever Latch	26	Trigger Bolt Spring
6	Loading Lever Latch Spring	27	Trigger Bolt Spring Screw
7	Loading Lever Latch Pin	28	Trigger Guard
8	Plunger	29	Front Trigger Guard Screw
9	Plunger Screw	30	Rear Backstrap Screws
10	Wedge	31	Backstrap
11	Wedge Screw	32	Bolt Screw
12	Cylinder	33	Hand Spring Pin
13	Nipple	34	Mainspring
14	Safety Pin	35	Mainspring Screw
15	Base Pin	36	Grip
16	Stock Screw	37	Wedge Spring
17	Frame With Pin	38	Hand Spring
18	Hammer	39	Barrel Guide Pin
19	Hand With Spring	40	Wedge Pin
20	Roller	41	Cylinder Pin Lock Pin
21	Roller Pin		

1862 Navy Pocket Revolver



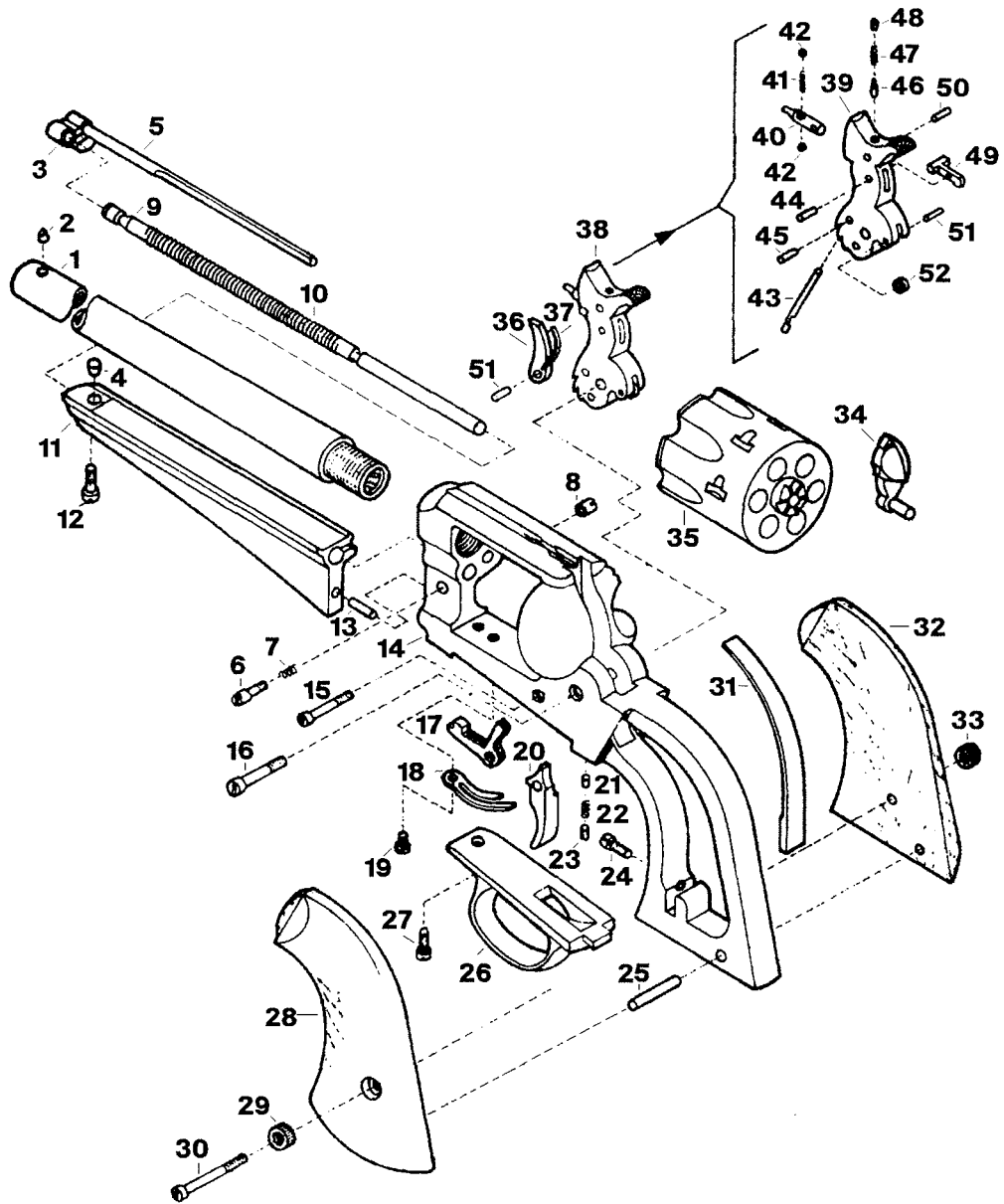
1	Front Sight	20	Roller
2	Barrel	21	Roller Pin
3	Barrel Stud	22	Hammer Screw
4	Loading Lever	23	Trigger Screw
5	Loading Lever Latch	24	Bolt
6	Loading Lever Latch Spring	25	Trigger
7	Loading Lever Latch Pin	26	Trigger Bolt Spring
8	Plunger	27	Trigger Bolt Spring Screw
9	Plunger Screw	28	Trigger Guard
10	Loading Lever Screw	29	Front Trigger Guard Screw
11	Wedge	30	Rear Backstrap Screws
12	Wedge Screw	31	Backstrap
13	Cylinder	32	Bolt Screw
14	Nipple	33	Hand Spring Pin
15	Safety Pins	34	Mainspring
16	Base Pin	35	Mainspring Screw
17	Frame Assembly	36	Grip
18	Hammer	37	Hand Spring
19	Hand With Spring	38	Cylinder Lock Pin

1862 Police Revolver



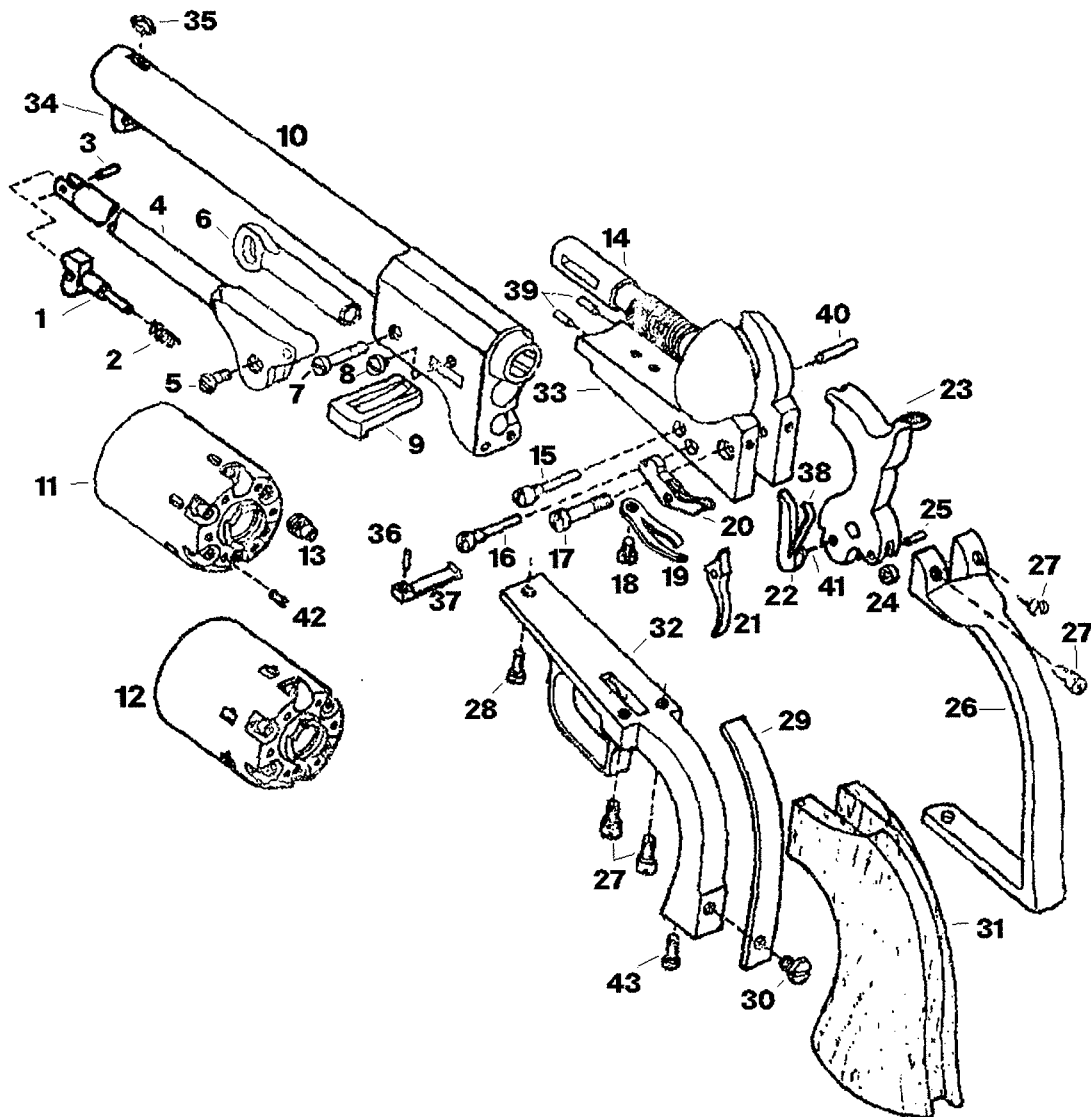
1	Front Sight	20	Roller pin
2	Barrel	21	Hammer Screw
3	Barrel Stud	22	Trigger Screw
4	Loading Lever	23	Bolt
5	Loading Lever Latch	24	Trigger
6	Loading Lever Latch Spring	25	Trigger Bolt Spring
7	Loading Lever Latch Pin	26	Trigger and Cylinder Stop Spring
8	Plunger		Screw
9	Plunger Screw	27	Trigger Guard
10	Wedge	28	Front Trigger Guard Screw
11	Wedge Screw	29	Rear Backstrap Screws
12	Cylinder	30	Backstrap
13	Nipple	31	Cylinder Stop Screw
14	Safety Pins	32	Hand Spring Pin
15	Base Pin	33	Mainspring
16	Frame	34	Mainspring Screw
17	Hammer	35	Grip
18	Hand With Spring	36	Hand Spring
19	Roller	37	Cylinder Lock Pin

1875 Remington Revolver



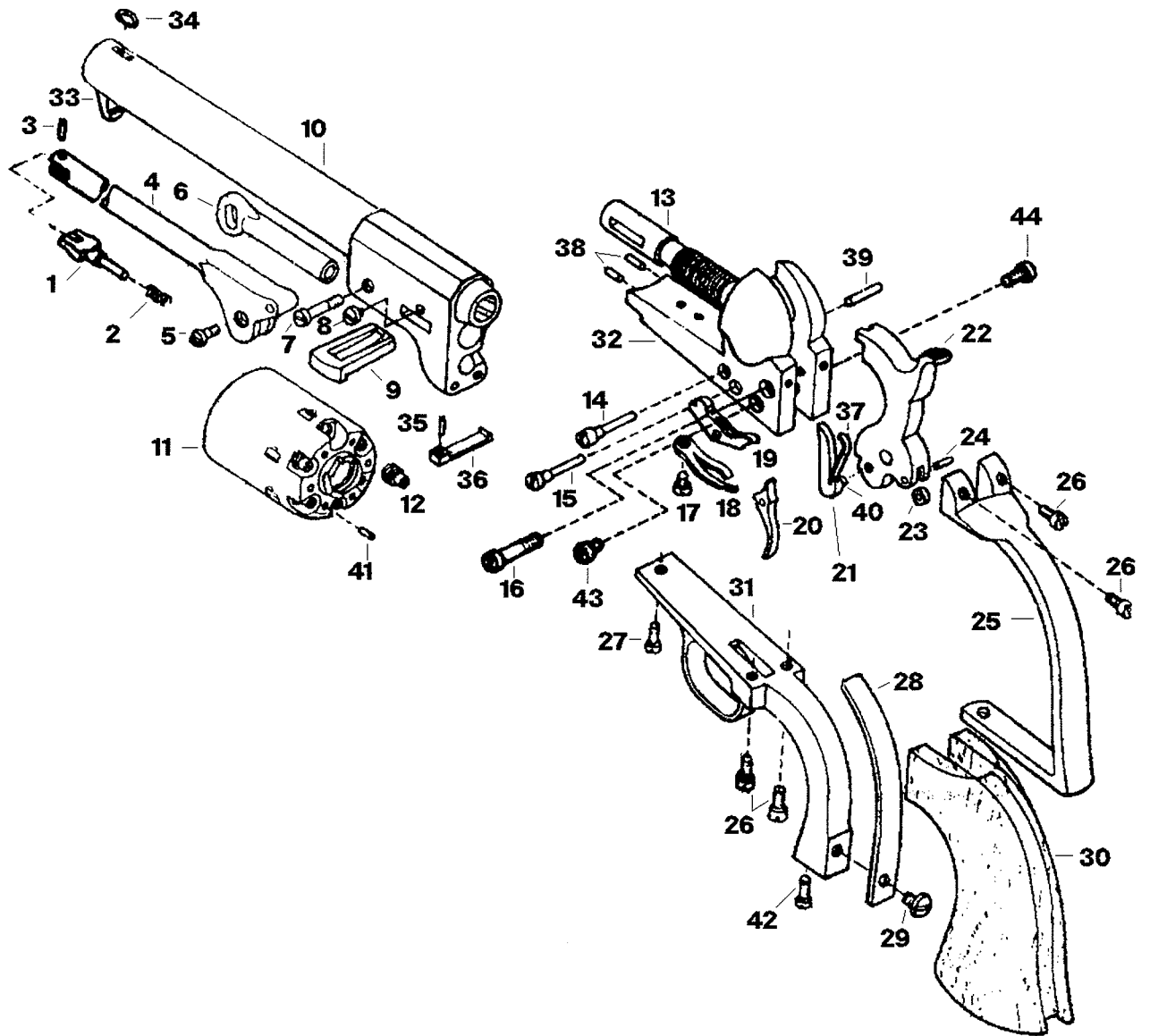
1	Barrel	19	Trigger Cylinder Stop Spring Screw	37	Hand Spring
2	Front Sight	20	Trigger	38	Hammer Assembly
3	Ejector Nut	21	Gate Catch	39	Hammer
4	Ejector Support Screw Nut	22	Gate Spring	40	Firing Pin
5	Ejector	23	Gate Catch Screw	41	Firing Pin Spring
6	Base Pin Screw	24	Mainspring Screw	42	Firing Pin Spheres
7	Base Pin Spring	25	Grip Pin	43	Bottom Piston
8	Base Pin Nut	26	Trigger Guard	44	Hammer Safety-Lever Pin
9	Base Pin	27	Trigger Guard Screw	45	Bottom Piston Stop Pin
10	Ejector Spring	28	Left Grip	46	Push Lever Pin
11	Support Ejector	29	Left Grip Nut	47	Push Lever Spring
12	Support Ejector Screw	30	Grip Screw	48	Stop Spring Screw for Push
13	Support Ejector Pin	31	Mainspring	49	Hammer Safety-Lever
14	Frame	32	Right Grip	50	Firing Pin Roll
15	Trigger Screw	33	Right Grip Nut	51	Hammer Roller Pin
16	Hammer Screw	34	Gate	52	Hammer Roller
17	Cylinder Stop	35	Cylinder		
18	Trigger Cylinder Stop Spring	36	Hand		

1st and 2nd Model Dragoon Revolver



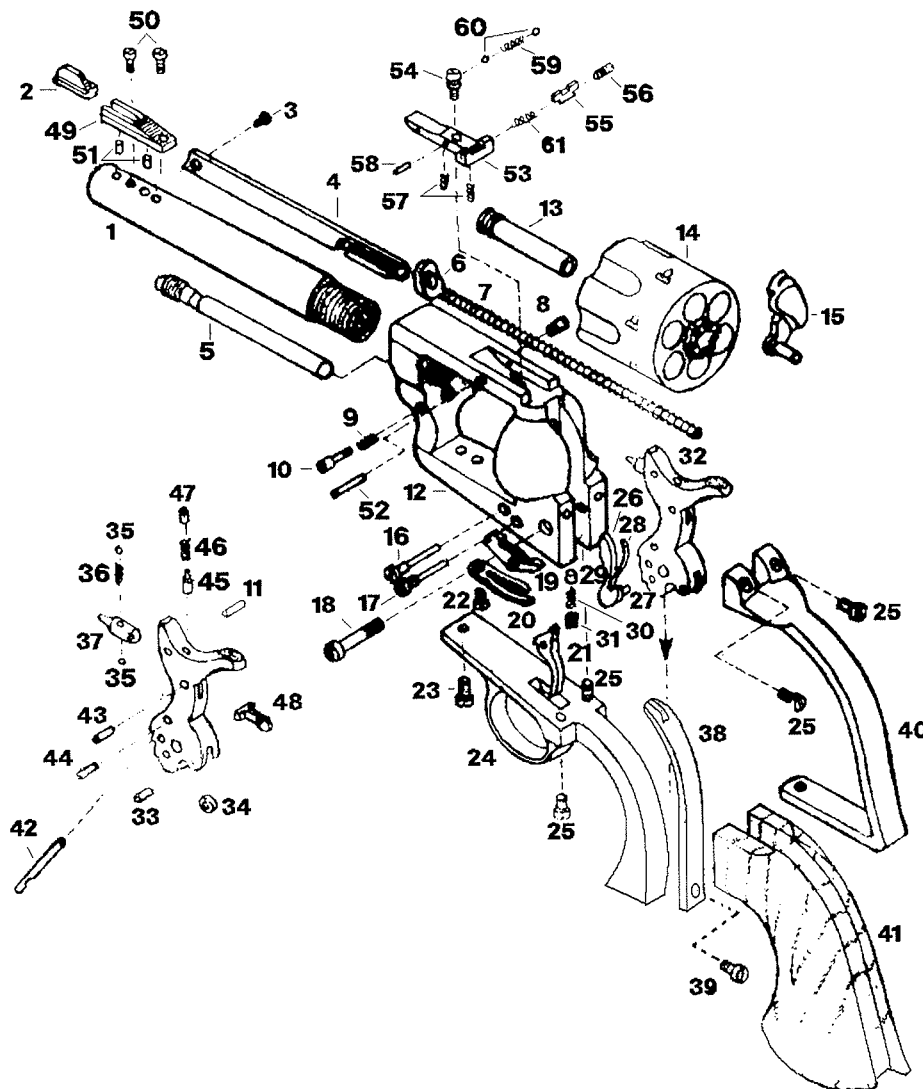
1	Loading Lever Catch	16	Trigger Screw	31	Grip
2	Loading Lever Latch Spring	17	Hammer Screw	32	Trigger Guard Square
3	Loading Lever Latch Pin	18	Trigger Bolt Spring Screw	33	Frame with Pin
4	Loading Lever	19	Trigger Bolt Spring	34	Barrel Stud
5	Plunger Screw	20	Bolt	35	Front Sight
6	Plunger	21	Trigger	36	Wedge Pin
7	Loading Lever Screw	22	Hand Assembly	37	Wedge Spring
8	Wedge Screw	23	Hammer	38	Hand Spring
9	Wedge	24	Roller	39	Barrel Guide Pins
10	Barrel	25	Roller Pin	40	Cylinder Pin Lock Pin
11	Cylinder (1st Model)	26	Backstrap	41	Hand Spring Pin
12	Cylinder (2nd Model)	27	Rear Backstrap Screws	42	Safety Pin
13	Nipple	28	Front Trigger Guard Screw	43	Rear Trigger Guard Screw
14	Base Pin	29	Mainspring		
15	Bolt Screw	30	Mainspring Screw		

3rd Model Dragoon Revolver



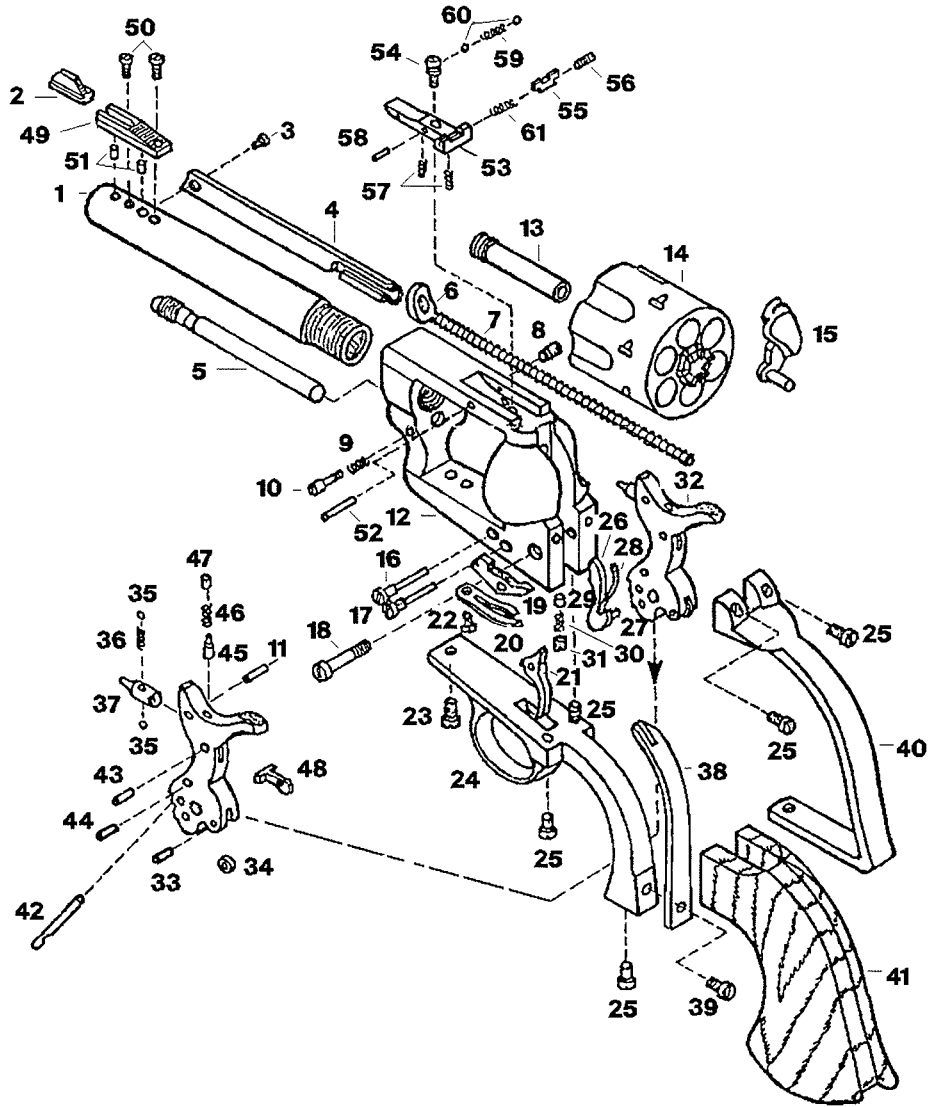
1	Loading Lever Latch	16	Hammer Screw	31	Trigger Guard Oval
2	Loading Lever Latch Spring	17	Trigger Bolt Spring Screw	32	Frame with Pin
3	Loading Lever Latch Pin	18	Trigger Bolt Spring	33	Barrel Stud
4	Loading Lever	19	Bolt	34	Sight
5	Plunger Screw	20	Trigger	35	Wedge Pin
6	Plunger	21	Hand with Spring	36	Wedge Spring
7	Loading Lever Screw	22	Hammer	37	Hand Spring
8	Wedge Screw	23	Roller	38	Barrel Guide Pins
9	Wedge	24	Roller Pin	39	Cylinder Pin Lock Pin
10	Barrel	25	Backstrap	40	Hand Spring Pin
11	Cylinder	26	Rear Backstrap Screws	41	Safety Pin
12	Nipple	27	Front Trigger Guard Screw	42	Rear Trigger Guard Screw
13	Base Pin	28	Mainspring	43	Left Stock Screw
14	Bolt Screw	29	Mainspring Screw	44	Right Stock Screw
15	Trigger Screw	30	Grip		

Buckhorn Revolver



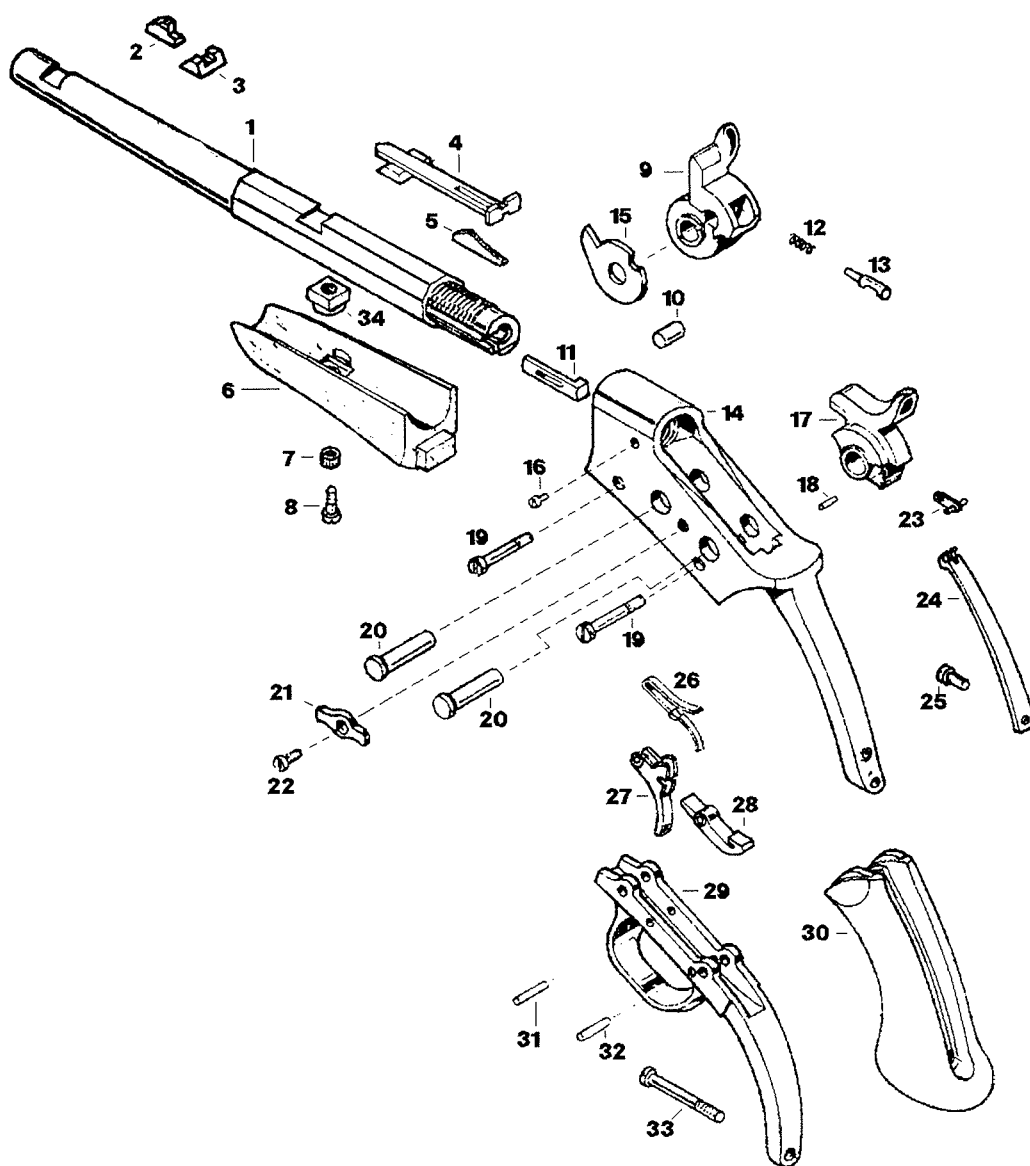
1	Barrel	22	Bolt Spring Screw	43	Hammer Safety Bar Pin
2	Sight	23	Trigger Guard Screw	44	Hammer Safety Plunger Pin
3	Ejector Rod Tube Screw	24	Trigger Guard	45	Hammer Safety Pin
4	Ejector Rod Tube	25	Trigger Guard Backstrap Screws	46	Hammer Safety Spring
5	Base Pin	26	Hand Assembly	47	Hammer Safety Stop Screw
6	Ejector	27	Hand Pin	48	Hammer Safety Bar
7	Ejector Spring	28	Hand Spring	49	Front Sight Ramp
8	Base Pin Nut	29	Gate Catch	50	Front Sight Ramp Retaining Screws
9	Base Pin Spring	30	Gate Spring	51	Front Sight Ramp Pins
10	Base Pin Screw	31	Gate Catch Screw	52	Rear Sight Retaining Screw
11	Firing Pin Retaining Pin	32	Hammer	53	Rear Sight
12	Frame	33	Hammer Roll Pin	54	Rear Sight Elevation Screw
13	Base Pin Bushing	34	Hammer Roll	55	Rear Sight Blade
14	Cylinder	35	Firing Pin Spheres	56	Rear Sight Windage Screw
15	Gate	36	Firing Pin Spring	57	Rear Sight Springs
16	Bolt Screw	37	Firing Pin	58	Rear Screw
17	Trigger Screw	38	Mainspring	59	Rear Spring
18	Hammer Screw	39	Mainspring Screw	60	Rear Spheres
19	Bolt	40	Backstrap	61	Rear Sight Blade Spring
20	Sear and Bolt Spring	41	Grips		
21	Trigger	42	Hammer Safety Plunger		
				Parts Not Shown	
					Rear Sight Elevation Screw Pin

Cattleman SA Revolver



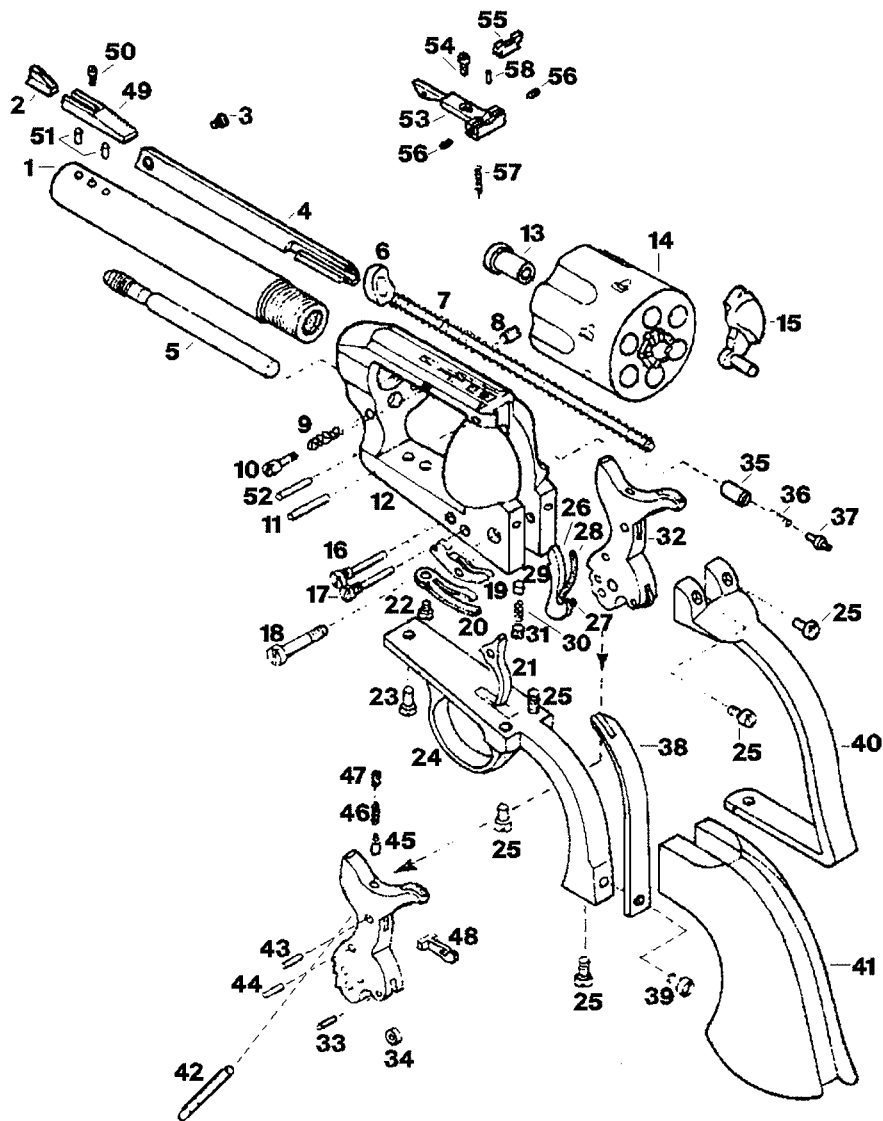
1	Barrel	23	Trigger Guard Screw	45	Hammer Safety Pin
2	Front Sight	24	Trigger Guard	46	Hammer Safety Spring
3	Ejector Rod Tube Screw	25	Trigger Guard Backstrap Screws	47	Hammer Safety Stop Screw
4	Ejector Rod Tube	26	Hand Assembly	48	Hammer Safety Bar
5	Base Pin	27	Hand Pin	49	Front Sight Ramp
6	Ejector	28	Hand Spring	50	Front Sight Ramp Retaining Screws
7	Ejector Spring	29	Gate Catch	51	Front Sight Ramp Pins
8	Base Pin Nut	30	Gate Spring	52	Rear Sight Retaining Screw
9	Base Pin Spring	31	Gate Catch Screw	53	Rear Sight
10	Base Pin Screw	32	Hammer	54	Rear Sight Elevation Screw
11	Firing Pin Retaining Pin	33	Hammer Roll Pin	55	Rear Sight Blade
12	Frame	34	Hammer Roll	56	Rear Sight Windage Screw
13	Base Pin Bushing	35	Firing Pin Spheres	57	Rear Sight Springs
14	Cylinder	36	Firing Pin Spring	58	Rear Sight Screw
15	Gate	37	Firing Pin	59	Rear Sight Sphere Spring
16	Bolt Screw	38	Mainspring	60	Rear Sight Spheres
17	Trigger Screw	39	Mainspring Screw	61	Rear Sight Blade Spring
18	Hammer Screw	40	Backstrap		
19	Bolt	41	Grip	Parts Not Shown	
20	Sear and Bolt Spring	42	Hammer Safety Plunger		Ejector Rod Tube Screw Nut
21	Trigger	43	Hammer Safety Bar Pin		Rear Sight Elevation Screw Pin
22	Bolt Spring Screw	44	Hammer Safety Plunger Pin		

Rolling Block Single Shot



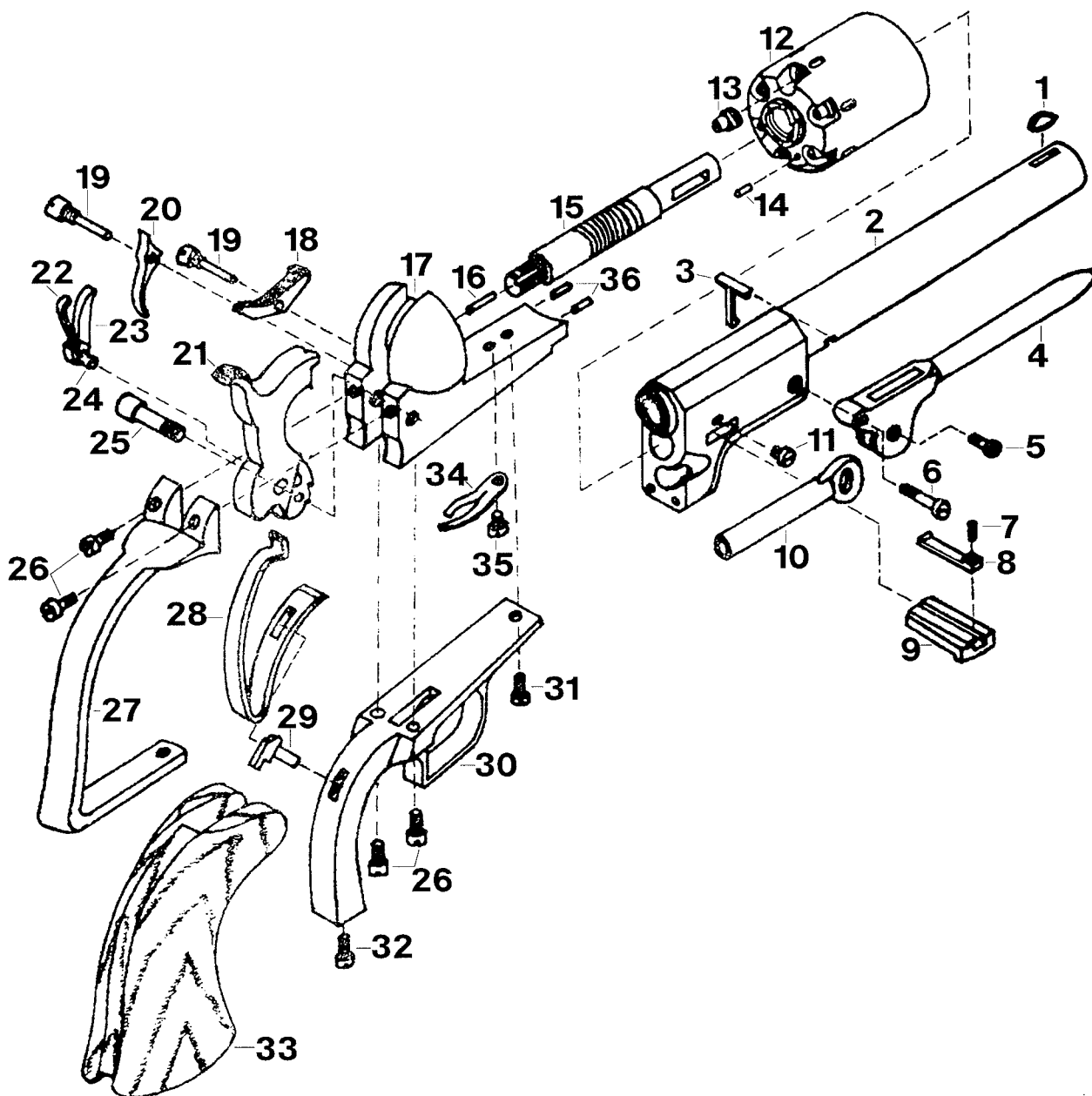
1	Barrel	18	Stirrup Pin
2	Front Sight	19	Trigger Guard Screws
3	Front Sight Ramp	20	Block Pin and Rammer
4	Rear Sight	21	Pin Plate
5	Rear Sight Windage Ramp	22	Plate Screw
6	Forend	23	Stirrup
7	Forend Cap	24	Mainspring
8	Forend Screw	25	Mainspring Screw
9	Stop Block	26	Sear Spring
10	Firing Pin Roller	27	Trigger
11	Extractor	28	Sear
12	Firing Pin Spring	29	Trigger Guard
13	Firing Pin	30	Grips
14	Frame	31	Trigger Pin
15	Extractor Cam	32	Sear Pin
16	Stopping Extractor Screw	33	Tang Screw
17	Hammer	34	Tenon

Stallion Revolver



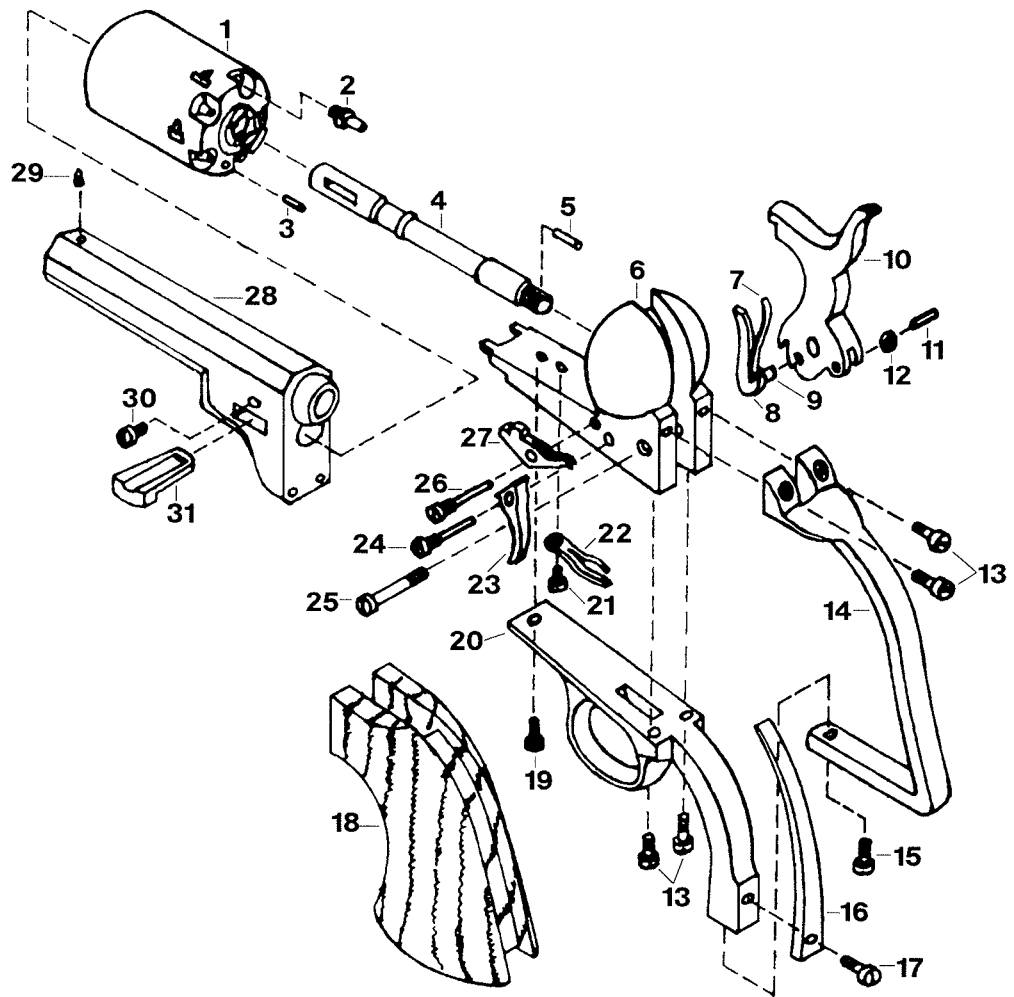
1	Barrel	21	Trigger	41	Grip
2	Sight	22	Bolt Spring Screw	42	Hammer Safety Plunger
3	Ejector Rod Tube Screw	23	Trigger Guard Screw	43	Hammer Safety Bar Pin
4	Ejector Rod Tube	24	Trigger Guard	44	Hammer Safety Plunger Pin
5	Base Pin	25	Trigger Guard Backstrap Screws	45	Hammer Safety Pin
6	Ejector	26	Hand Assembly	46	Hammer Safety Spring
7	Ejector Spring	27	Hand Pin	47	Hammer Safety Stop Screw
8	Base Pin Nut	28	Hand Spring	48	Hammer Safety Bar
9	Base Pin Spring	29	Gate Catch	49	Front Sight Ramp
10	Base Pin Screw	30	Gate Spring	50	Front Sight Ramp Retaining Screw
11	Firing Pin Retaining Pin	31	Gate Catch Screw	51	Front Sight Ramp Pins
12	Frame	32	Hammer	52	Rear Sight Retaining Screw
13	Base Pin Bushing	33	Hammer Roll Pin	53	Rear Sight
14	Cylinder	34	Hammer Roll	54	Rear Sight Elevation Screw
15	Gate	35	Firing Pin Bearing	55	Rear Sight Blade
16	Bolt Screw	36	Firing Pin Spring	56	Rear Sight Windage Screws
17	Trigger Screw	37	Firing Pin	57	Rear Sight Elevation Spring
18	Hammer Screw	38	Mainspring	58	Rear Sight Lock Pin
19	Bolt	39	Mainspring Screw		
20	Sear and Bolt Spring	40	Backstrap		

Walker Revolver

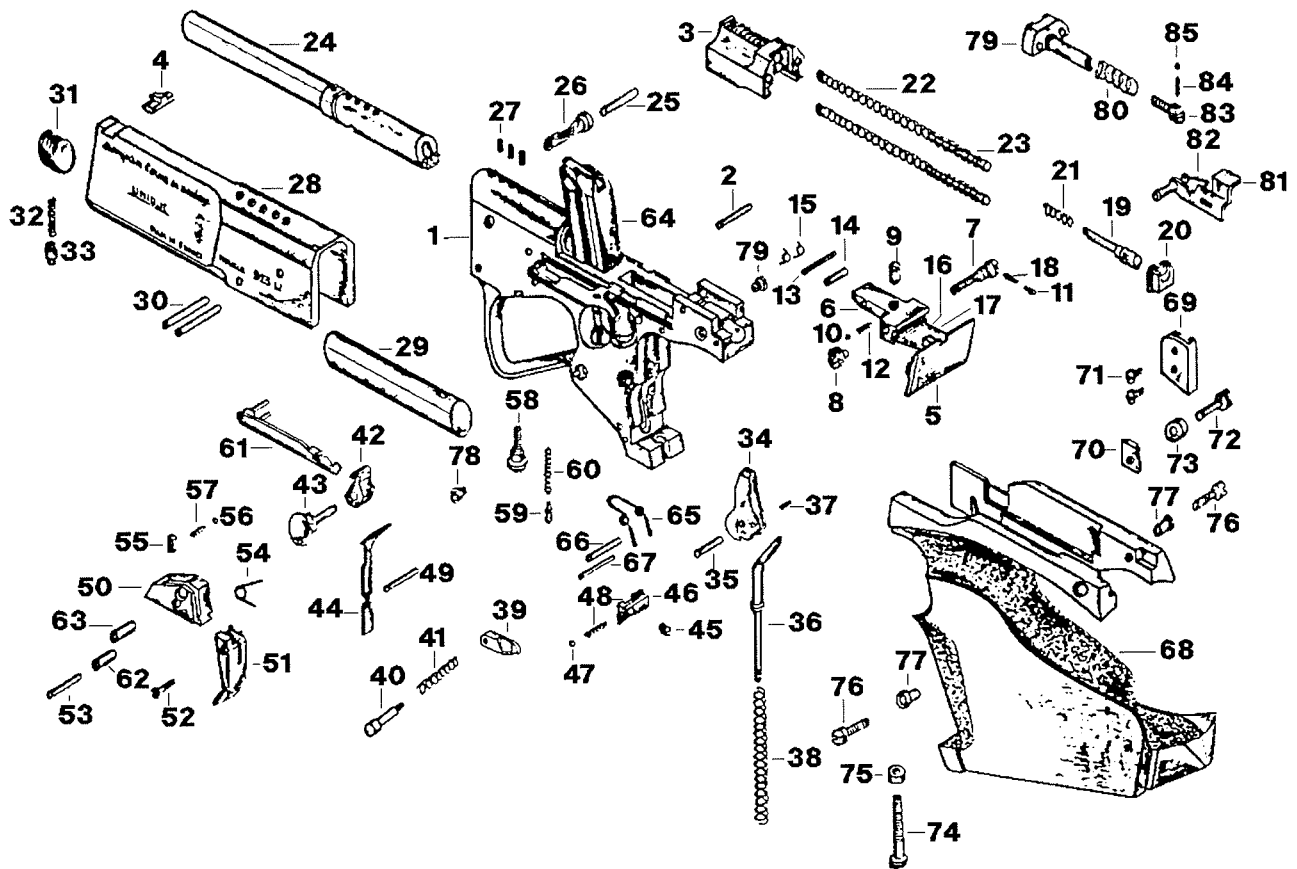


- | | | | | | |
|----|---------------------|----|-----------------------|----|---------------------------|
| 1 | Front Sight | 13 | Nipple | 25 | Hammer Screw |
| 2 | Barrel | 14 | Safety Pin | 26 | Rear Backstrap Screws |
| 3 | Loading Lever Latch | 15 | Base Pin | 27 | Backstrap |
| 4 | Loading Lever | 16 | Cylinder Pin Lock Pin | 28 | Mainspring |
| 5 | Plunger Screw | 17 | Frame | 29 | Latch Hooking Mainspring |
| 6 | Loading Lever Screw | 18 | Bolt | 30 | Trigger Guard |
| 7 | Wedge Pin | 19 | Bolt Screws | 31 | Front Trigger Guard Screw |
| 8 | Wedge Spring | 20 | Trigger | 32 | Rear Trigger Guard Screw |
| 9 | Wedge | 21 | Hammer | 33 | Grip |
| 10 | Plunger | 22 | Hand Spring | 34 | Trigger Bolt Spring |
| 11 | Wedge Screw | 23 | Hand | 35 | Trigger Bolt Spring Screw |
| 12 | Cylinder | 24 | Hand Pin | 36 | Barrel Guide Pins |

Wells Fargo Revolver



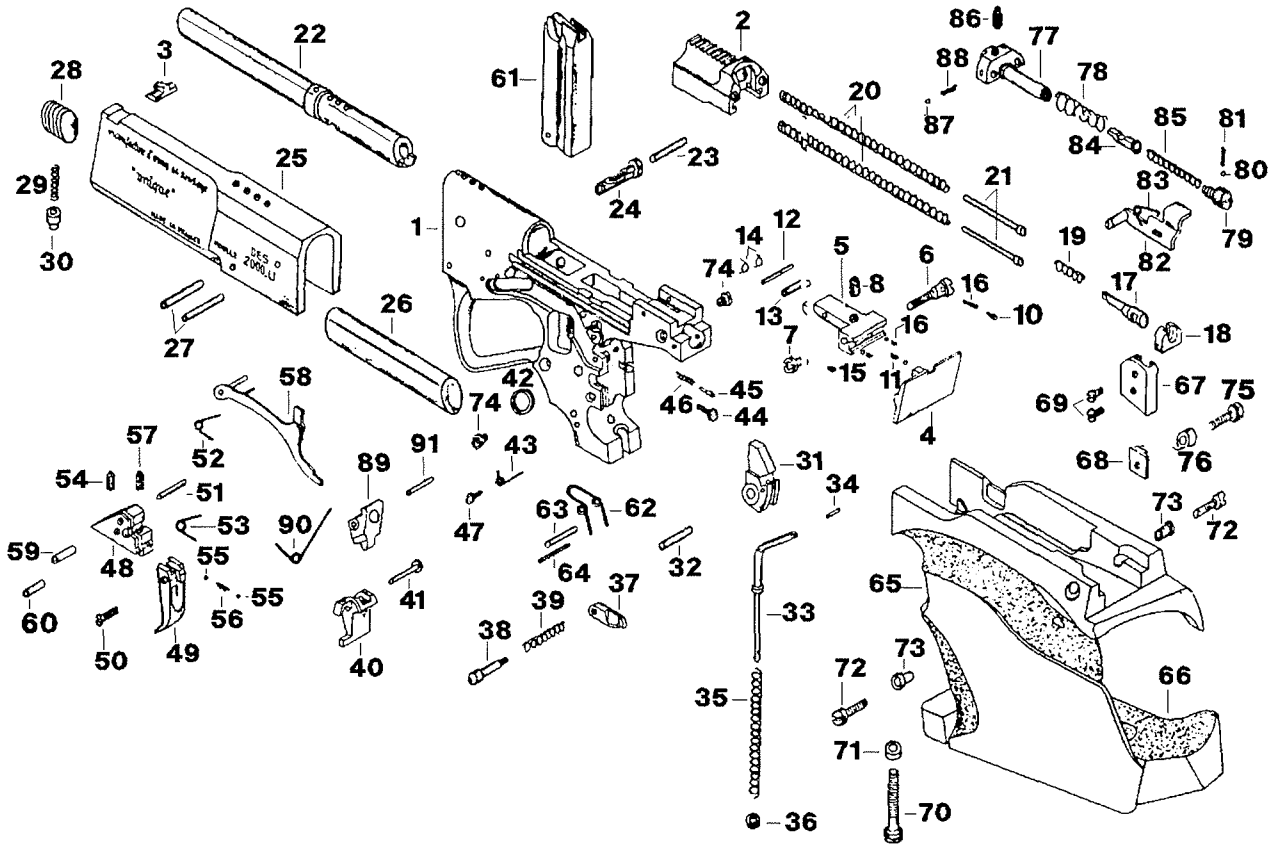
1	Cylinder	17	Mainspring Screw
2	Nipple	18	Grip
3	Safety Pin	19	Front Trigger Guard Screw
4	Base Pin	20	Trigger Guard
5	Cylinder Pin Lock Pin	21	Trigger Bolt Spring Screw
6	Frame	22	Trigger Bolt Spring
7	Hand Spring	23	Trigger
8	Hand	24	Trigger Screw
9	Hand Spring Pin	25	Hammer Screw
10	Hammer	26	Bolt Screw
11	Roller Pin	27	Bolt
12	Roller	28	Barrel
13	Rear Backstrap Screws	29	Front Sight
14	Backstrap	30	Wedge Screw
15	Rear Trigger Guard Screw	31	Wedge
16	Mainspring		



- | | | | | | |
|----|--------------------------------|----|----------------------------------|----|---------------------------------------|
| 1 | Frame | 31 | Counterweight Screw Cap | 61 | Trigger Bar |
| 2 | Pin | 32 | Retaining Button Spring | 62 | Trigger Axis Pin Bushing |
| 3 | Slide | 33 | Retaining Button | 63 | Trigger Bar Pin Bushing |
| 4 | Front Sight | 34 | Hammer | 64 | Magazine |
| 5 | Rear Sight Blade | 35 | Hammer Axis Pin | 65 | Magazine Ejector Spring |
| 6 | Rear Sight Base | 36 | Hammer Strut | 66 | Magazine Ejector Spring Pivot Pin |
| 7 | Lateral Sight Adjustment Screw | 37 | Hammer Strut Pin | 67 | Magazine Ejector Spring Retaining Pin |
| 8 | Locknut | 38 | Hammer Spring | 68 | Grip |
| 9 | Vertical Adjustment Screw | 39 | Magazine Catch | 69 | Hand Rest Notch |
| 10 | Adjustment Screw Ball Click | 40 | Magazine Catch Button | 70 | Notch Support |
| 11 | Piston Click | 41 | Magazine Catch Spring | 71 | Hand Rest Fixing Screws |
| 12 | Ball Spring | 42 | Sear | 72 | Notch Support Screw |
| 13 | Rear Sight Axis Pin | 43 | Sear Axis Pin | 73 | Notch Support Washer |
| 14 | Rear Sight Bushing | 44 | Sear Spring | 74 | Grip Screw |
| 15 | Vertical Adjustment Spring | 45 | Sear Regulating Screw | 75 | Grip Screw Bushing |
| 16 | Ball Bearing | 46 | Sear Screw Stand | 76 | Upper Grip Screw |
| 17 | Ball Bearing Spring | 47 | Sear Screw Ball Click | 77 | Upper Grip Screw Bushing |
| 18 | Piston Click Spring | 48 | Sear Screw Springs | 78 | Upper Grip Screw Frame Bushing |
| 19 | Firing Pin | 49 | Sear Spring Retaining Screw | 79 | Slide Recoil Buffer/Dry Firing Stop |
| 20 | Firing Pin Stop | 50 | Trigger Block | 80 | Shock Absorber Spring |
| 21 | Firing Pin Spring | 51 | Trigger | 81 | Slide Stop |
| 22 | Slide Recoil Spring | 52 | Trigger Overtravel Screw | 82 | Slide Stop Spring |
| 23 | Recoil Spring Guide | 53 | Trigger Axis Pin | 83 | Dry Firing Stop |
| 24 | Barrel | 54 | Trigger Spring | 84 | Dry Firing Stop Spring |
| 25 | Barrel Pin | 55 | Sear Engagement Regulating Screw | 85 | Spring Ball Click |
| 26 | Barrel Bushing | 56 | Sear Engagement Screw Ball Click | | |
| 27 | Gas Escape Port Screws | 57 | Ball Click Spring | | |
| 28 | Barrel Sheath | 58 | Backlash Regulating Screw | | |
| 29 | Additional Counterweight | 59 | Backlash Screw Ball Click | | |
| 30 | Barrel Sheath Pins | 60 | Backlash Screw Ball Click Spring | | |

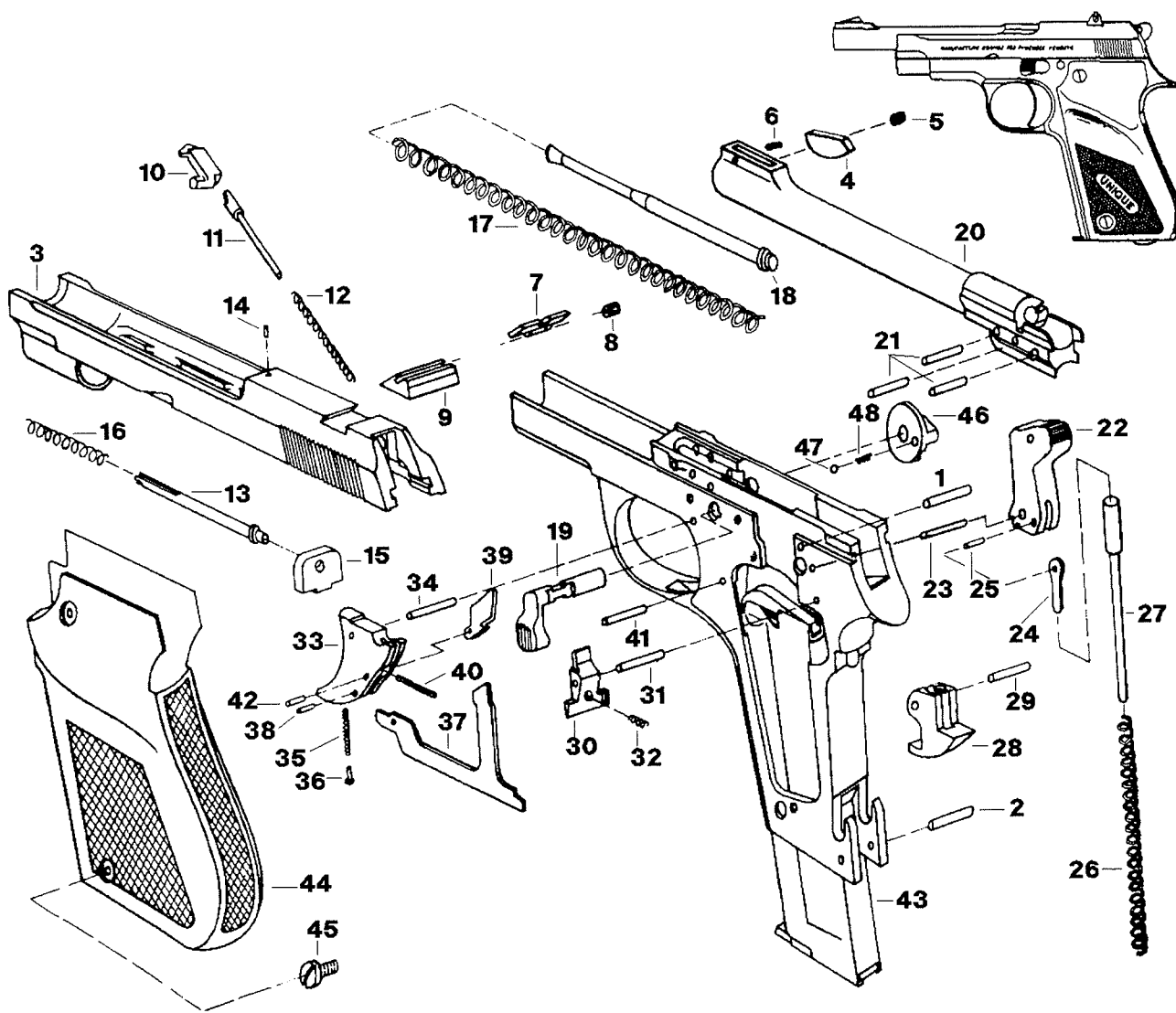
Parts Not Shown
Movable Hand Rest

2000 U Auto



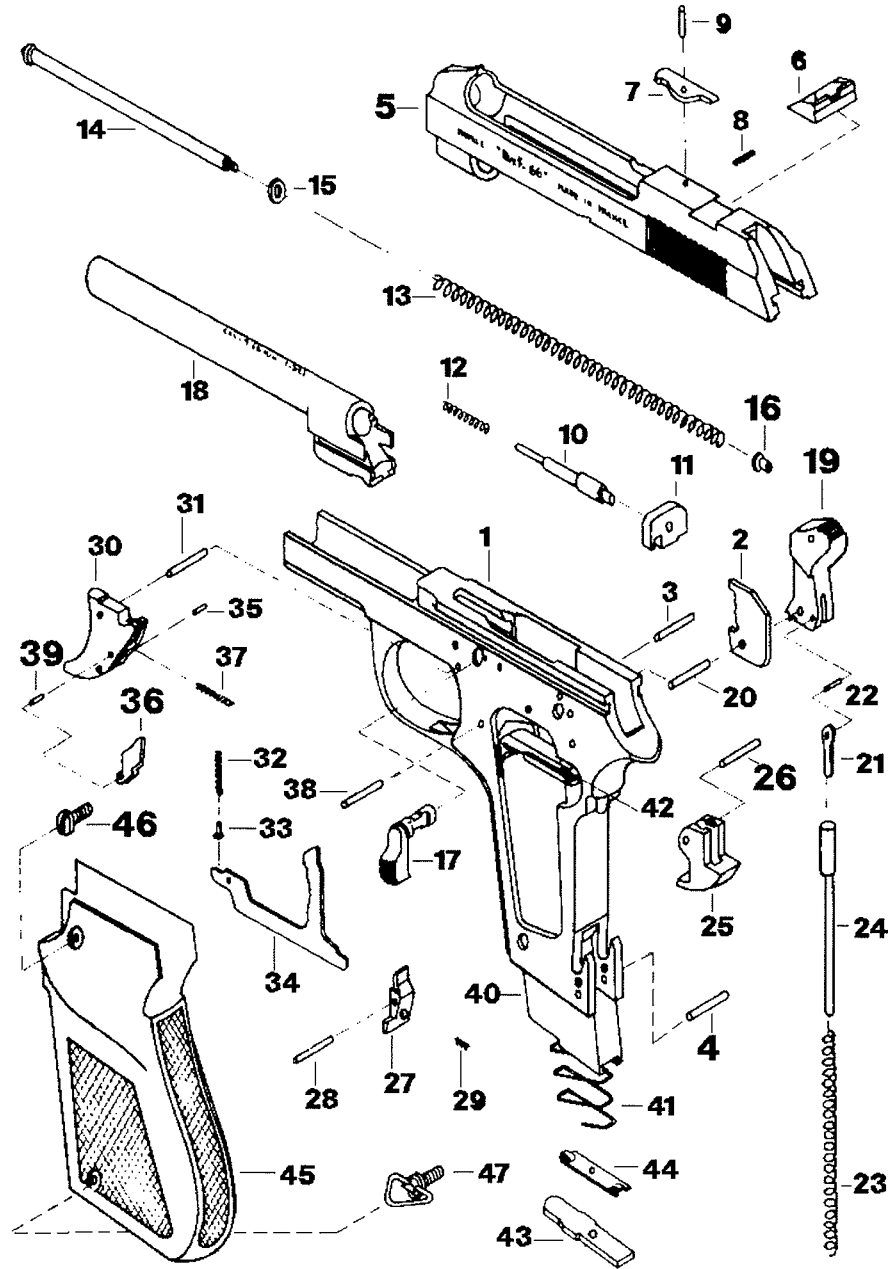
1	Frame	32	Hammer Axis Pin	63	Magazine Ejector Spring Pivot Pin
2	Slide	33	Hammer Strut	64	Magazine Ejector Spring Retaining Pin
3	Front Sight	34	Hammer Strut Pin	65	Grip
4	Rear Sight Blade	35	Hammer Spring	66	Movable Hand Rest
5	Rear Sight Base	36	Hammer Spring Stop	67	Hand Rest Notch
6	Lateral Sight Adjustment Screw	37	Magazine Catch	68	Notch Support
7	Adjustment Screw Locknut	38	Magazine Catch Button	69	Fixing Screws
8	Vertical Sight Adjustment Screw	39	Magazine Catch Spring	70	Grip Screw
9	Adjustment Screw Ball Click	40	Sear	71	Grip Screw Bushing
10	Adjustment Screw Piston Click	41	Sear Axis Pin	72	Upper Grip Screw
11	Adjustment Screw Ball Spring	42	Trigger Bar Cam Ring	73	Upper Grip Screw Bushing
12	Rear Sight Axis Pin	43	Sear Spring	74	Upper Grip Screw Frame Bushings
13	Axis Pin Bushing	44	Sear Regulating Screw	75	Notch Support Screw
14	Vertical Adjustment Springs	45	Screw Stand	76	Notch Support Bushing
15	Rear Sight Ball Bearing	46	Screw Ball Click	77	Slide Recoil Buffer
16	Springs	47	Sear Spring Retaining Screw	78	Shock Absorber Spring
17	Firing Pin	48	Trigger Block	79	Buffer Retaining Screw
18	Firing Pin and Hammer Stop	49	Trigger	80	Buffer Screw Ball Click
19	Firing Pin Spring	50	Trigger Screw	81	Ball Click Spring
20	Slide Recoil Spring	51	Trigger Axis Pin	82	Slide Stop
21	Recoil Spring Guides	52	Trigger Spring	83	Slide Stop Spring
22	Barrel	53	Trigger Bar Spring	84	Dry Firing Stop
23	Barrel Pin	54	Sear Engagement Regulating Screw	85	Stop Spring
24	Barrel Pin Bushing	55	Ball Click Screws	86	Stop Lock Screw
25	Barrel Sheath	56	Ball Click Spring	87	Screw Ball Click
26	Additional Counterweight	57	Backlash Regulating Screw	88	Ball Click Spring
27	Barrel Sheath Pins	58	Trigger Bar	89	Intermediate Sear
28	Screw Cap	59	Trigger Axis Pin Bushing	90	Intermediate Sear Spring
29	Screw Cap Retaining Button Spring	60	Trigger Bar Pin Bushing	91	Intermediate Sear Spring Pin
30	Screw Cap Retaining Button	61	Magazine		
31	Hammer	62	Magazine Ejector Spring		

Escort and Corsair Auto



1	Hammer Stop	18	Recoil Spring Guide	34	Trigger Axis Pin
2	Magazine Catch Stop	19	Safety	35	Trigger Spring
3	Slide	20	Barrel	36	Trigger Spring Guide
4	Front Sight	21	Barrel Rivets	37	Trigger Bar and Disconnecter
5	Front Sight Screw	22	Hammer with Guide and Pin Complete	38	Trigger Pin
6	Front Sight Pin	23	Hammer Axis Pin	39	Magazine Safety
7	Rear Sight	24	Hammer Guide	40	Magazine Safety Spring
8	Rear Sight Screw	25	Hammer Guide Pin	41	Magazine Safety Stop
9	Rear Sight Base	26	Hammer Spring	42	Magazine Safety Pin
10	Extractor	27	Hammer Spring Guide	43	Magazine Complete
11	Extractor Spring Guide	28	Magazine Catch	44	Grips
12	Extractor Spring	29	Magazine Catch Axis Pin	45	Grip Screws
13	Firing Pin	30	Sear	46	Dismantling Stud
14	Firing Pin Stop	31	Sear Axis Pin	47	Dismantling Stud Ball Catch
15	Firing Pin Guide	32	Sear Spring	48	Dismantling Stud Ball Catch Spring
16	Firing Pin Spring	33	Trigger	Parts Not Shown	
17	Recoil Spring			Rear Sight Spring	

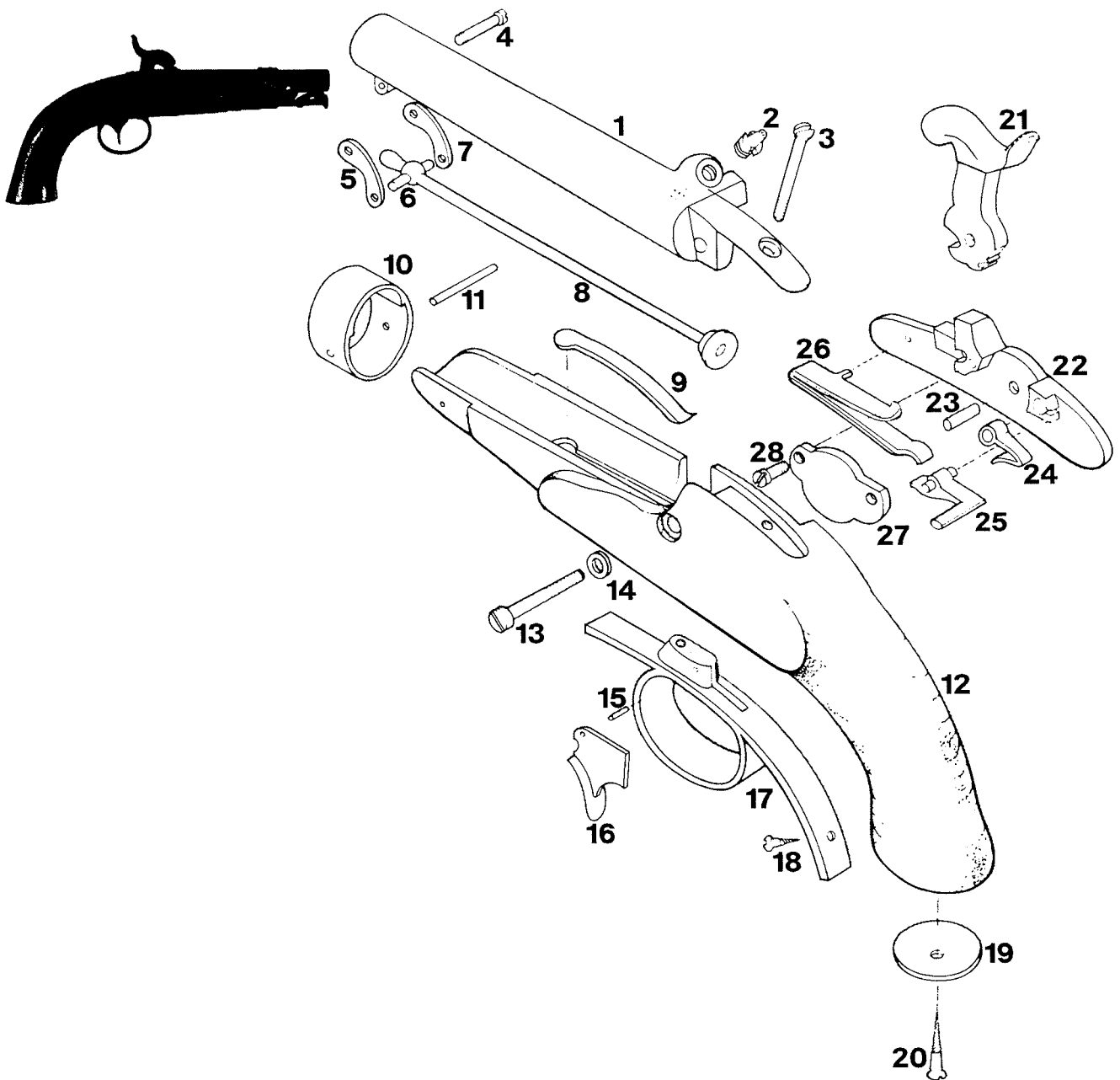
Model Bcf 66 Auto



1	Frame	17	Safety	33	Trigger Bar Guide
2	Ejector	18	Barrel	34	Trigger Bar
3	Hammer Stop	19	Hammer	35	Trigger Bar Pin
4	Magazine Catch Stop	20	Hammer Pin	36	Magazine Safety
5	Slide	21	Hammer Link	37	Magazine Safety Spring
6	Rear Sight	22	Hammer Link Pin	38	Magazine Safety Stop
7	Extractor	23	Hammer Spring	39	Magazine Safety Pin
8	Extractor Spring	24	Hammer Spring Guide	40	Magazine Body
9	Extractor Pin	25	Magazine Catch	41	Magazine Spring
10	Firing Pin	26	Magazine Catch Pin	42	Magazine Follower
11	Firing Pin Stop	27	Sear	43	Magazine Bottom Plate
12	Firing Pin Spring	28	Sear Pin	44	Magazine Spring Bottom Plate
13	Recoil Spring	29	Sear Spring	45	Grip
14	Recoil Spring Guide	30	Trigger	46	Grip Screw
15	Recoil Spring Guide Washer	31	Trigger Pin	47	Lanyard Ring
16	Recoil Spring Guide Screw Nut	32	Trigger Bar Spring		

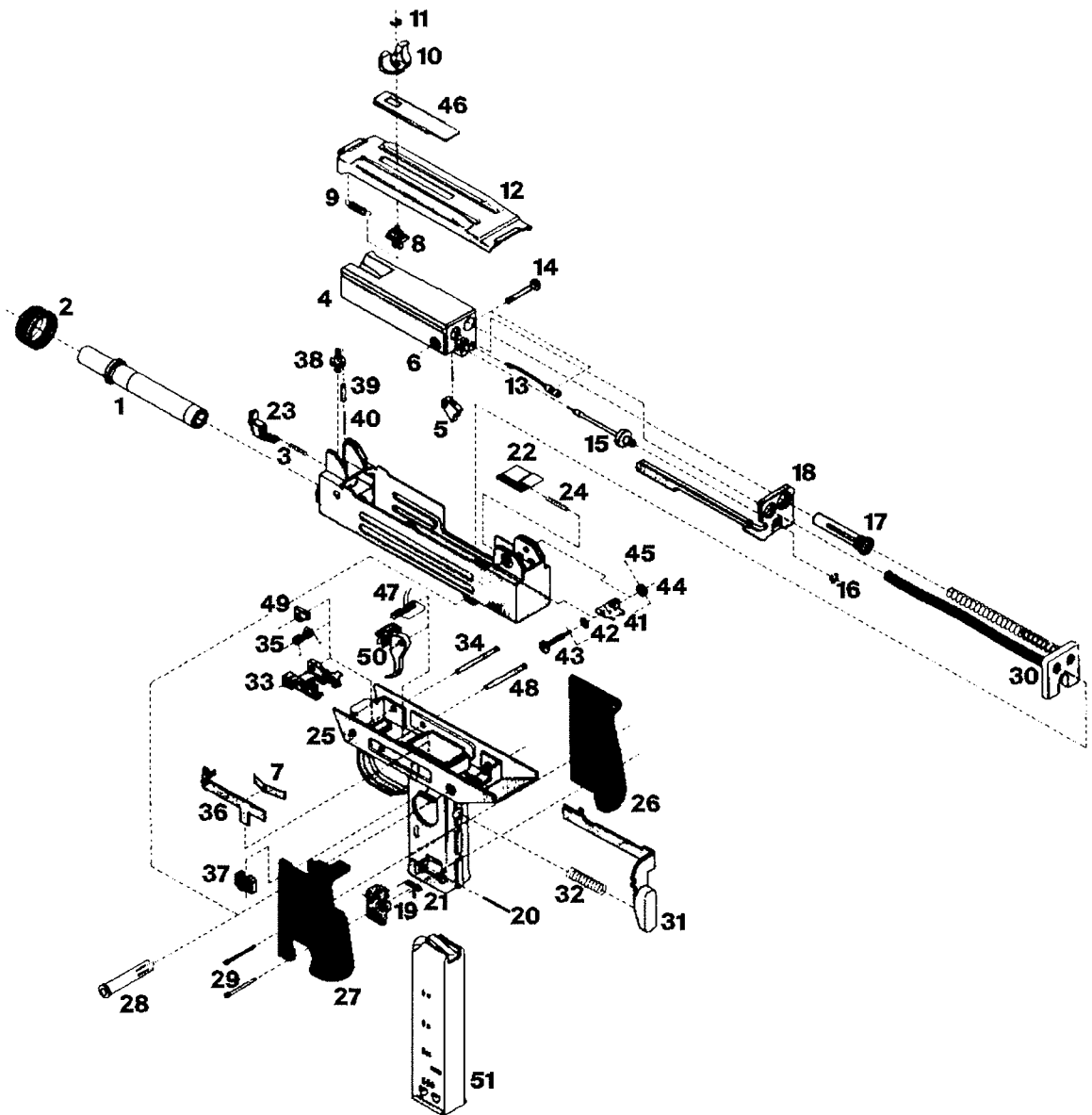
Model 1842 Percussion

Courtesy of Blacksmith Corporation



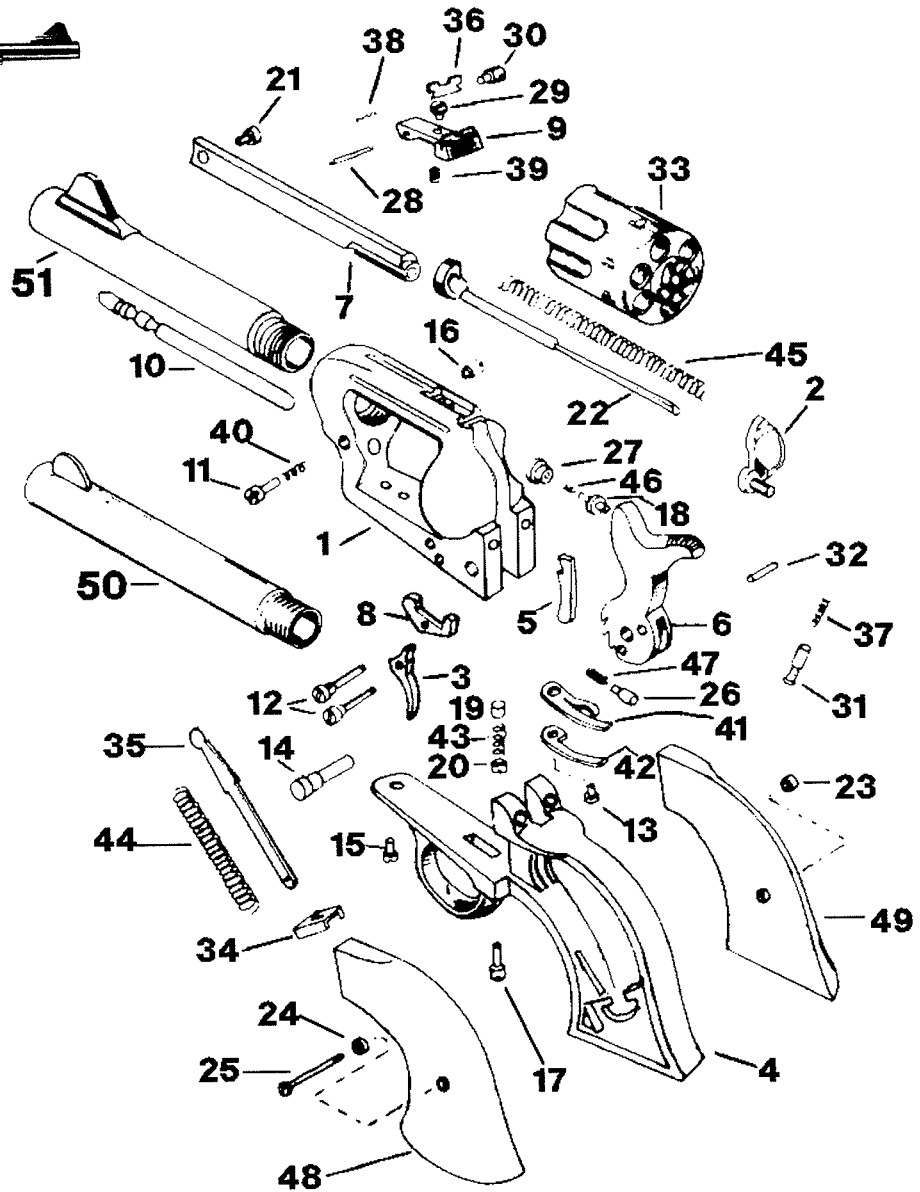
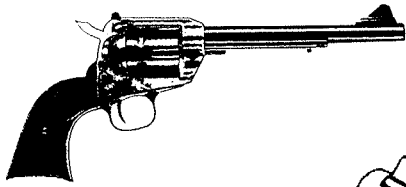
1	Barrel	15	Trigger Pin
2	Cone	16	Trigger
3	Barrel Screw	17	Trigger Guard
4	Swivel Screw	18	Trigger Guard Screw
5	Left Ramrod Swivel	19	Buttcap
6	Ramrod Guide	20	Buttcap Screw
7	Right Ramrod Swivel	21	Hammer
8	Ramrod	22	Lockplate
9	Ramrod Spring	23	Hammer Pin
10	Band	24	Sear Spring
11	Band Cross Pin	25	Sear
12	Stock	26	Mainspring
13	Lock Retaining Screw	27	Bridle
14	Washer	28	Bridle Screws

Auto



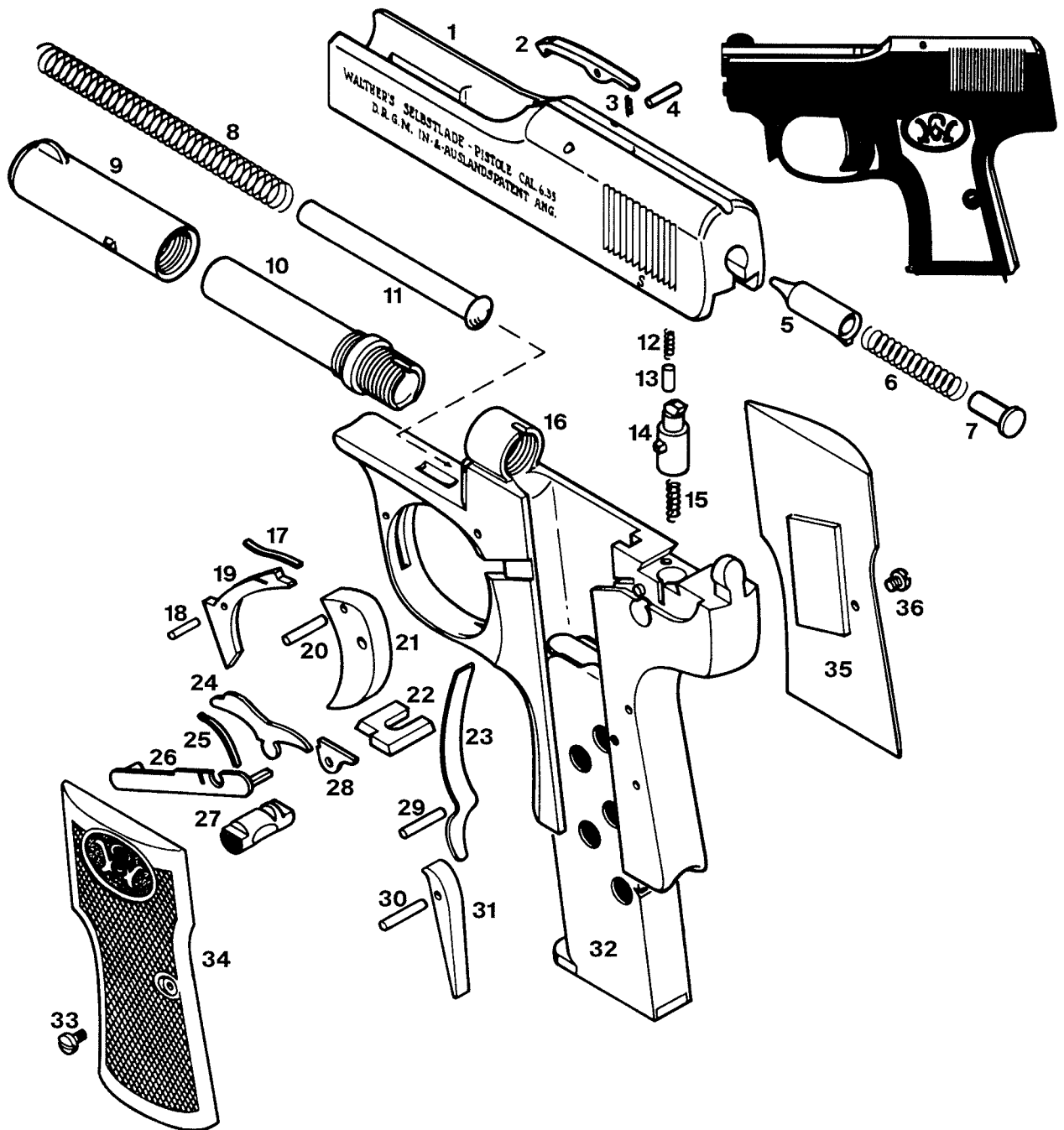
1	Barrel	18	Striker Guide	35	Sear Spring
2	Barrel Retaining Nut	19	Magazine Catch	36	Fire Selector Lever
3	Barrel Retaining Nut Spring	20	Magazine Catch Pin	37	Fire Selector Button
4	Bolt	21	Magazine Catch Spring	38	Front Sight
5	Blocking Latch	22	Cover Catch	39	Front Sight Detent
6	Blocking Latch Spring	23	Barrel Return Nut Catch	40	Front Sight Spring
7	Lever Spring	24	Cover Catch Spring	41	Rear Sight
8	Cocking Lug	25	Frame	42	Rear Sight Spring Washer
9	Cocking Lug Spring	26	Right Grip	43	Rear Sight Axis
10	Cocking Knob	27	Left Grip	44	Rear Sight Windage Drum
11	Cocking Knob Retainer	28	Grip Pin	45	Windage Drum Pin
12	Receiver Cover Plate	29	Grip Screws	46	Slot Cover Plate
13	Extractor	30	Return Spring Assembly	47	Trigger Spring
14	Extractor Pin	31	Grip Safety	48	Trigger Pin
15	Firing Pin	32	Safety Spring	49	Dog Stop
16	Firing Pin Return Ring	33	Sear	50	Trigger Assembly
17	Firing Pin Spring Seat	34	Sear Pin	51	Magazine Assembly

Dragon Revolver



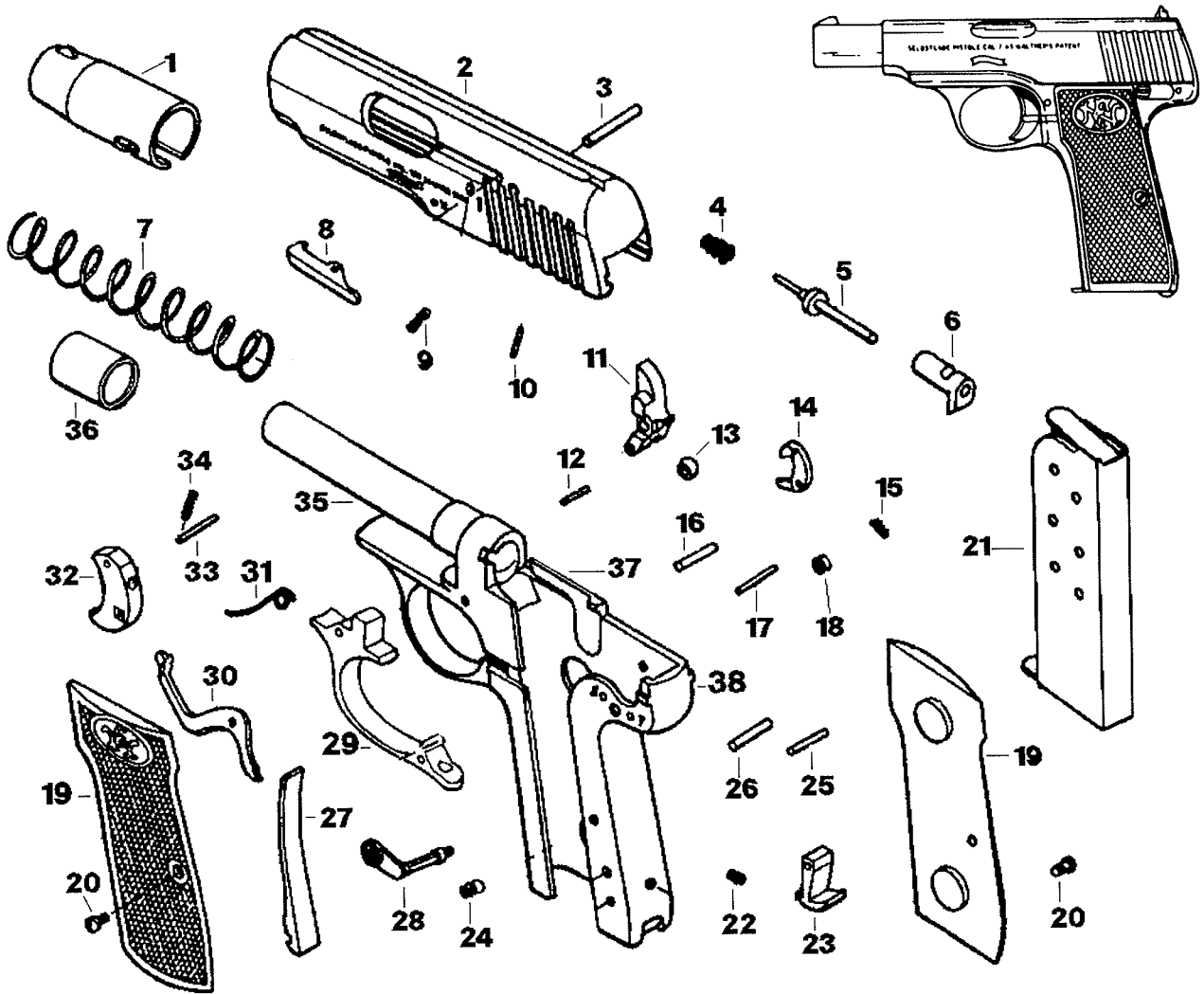
1	Frame	20	Gate Screw	38	Rear Sight Windage Spring
2	Gate	21	Ejector Tube Screw	39	Rear Sight Elevation Spring
3	Trigger	22	Ejector Rod Assembly	40	Base Pin Spring
4	Grip Frame	23	Grip Nut	41	Bolt and Trigger Spring
5	Hand	24	Grip Bushing	42	Bolt and Trigger Backer Spring
6	Hammer	25	Grip Screw	43	Gate Spring
7	Ejector Tube	26	Hand Spring Plunger	44	Hammer Spring
8	Bolt	27	Firing Pin Bushing	45	Ejector Spring
9	Rear Sight Block	28	Rear Sight Pivot Pin	46	Firing Pin Spring
10	Base Pin	29	Rear Sight Elevation Screw	47	Hand Spring
11	Base Pin Screw	30	Rear Sight Windage Adjustment Screw	48	Left-Hand Grip
12	Trigger and Bolt Pivots	31	Kicker	49	Right-Hand Grip
13	Bolt Spring Screw	32	Kicker Retaining Pin	50	Barrel-Field Sights
14	Hammer Pivot	33	Cylinder	51	Barrel-Adjustable Sights
15	Front Trigger Guard Screw	34	Hammer Spring Retainer		
16	Base Pin Nut	35	Hammer Push Rod		Parts Not Shown
17	Trigger Guard Screws	36	Rear Sight Blade		Base Pin Catch Assembly
18	Firing Pin	37	Kicker Spring		Mainspring Assembly
19	Gate Catch				Ejector Rod

Model 1 Auto



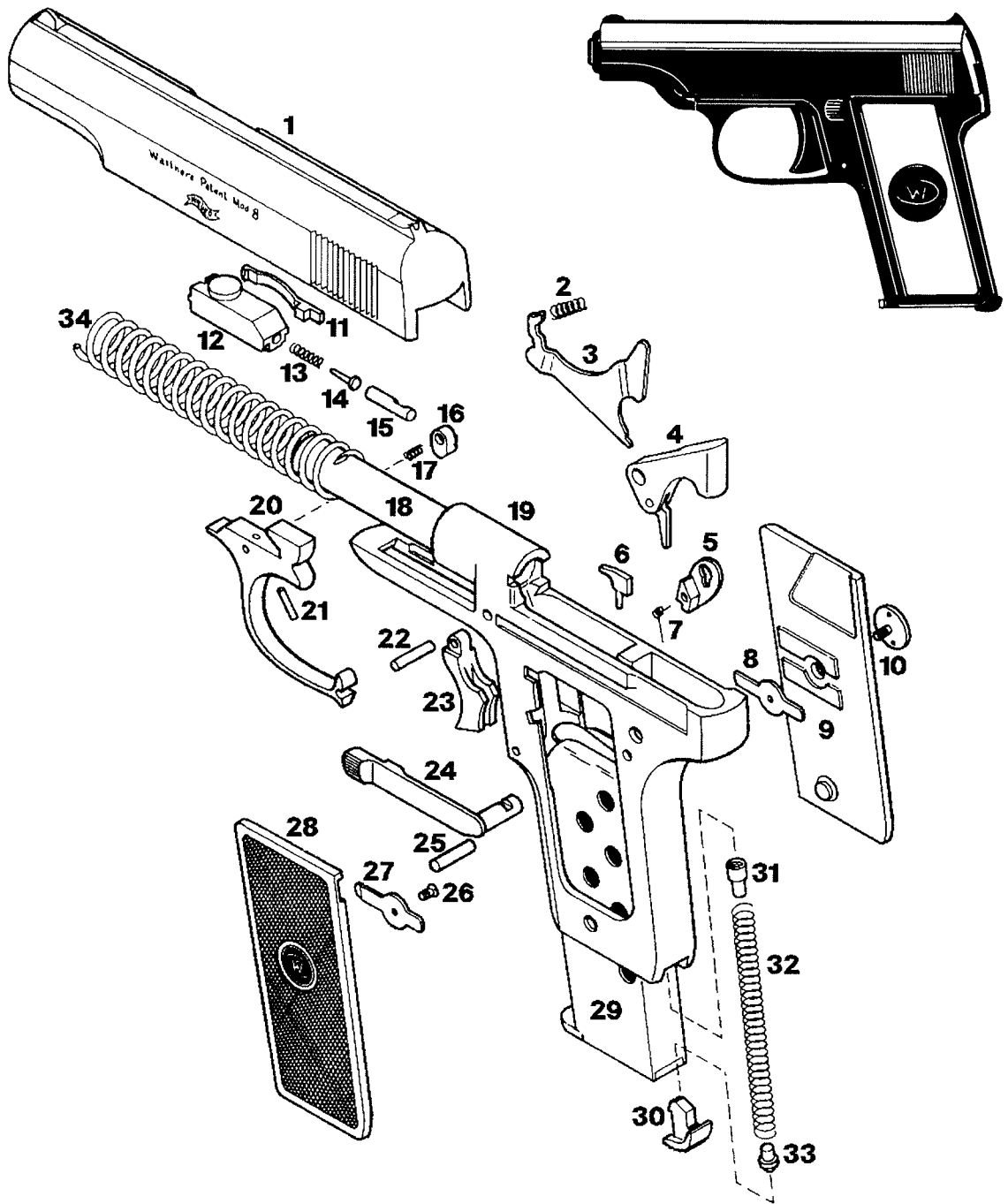
1	Slide	13	Safety Plunger	25	Disconnecter Spring
2	Extractor	14	Sear	26	Trigger Bar
3	Extractor Spring	15	Sear Spring	27	Safety
4	Extractor Pin	16	Frame	28	Sear Lever
5	Firing Pin	17	Slide Lock Spring	29	Magazine Catch Spring Pin
6	Firing Pin Spring	18	Slide Lock Pin	30	Magazine Catch Pin
7	Firing Pin Spring Guide	19	Slide Lock	31	Magazine Catch
8	Recoil Spring	20	Trigger Pin	32	Magazine
9	Barrel Cover	21	Trigger	33	Left Grip Screw
10	Barrel	22	Sear Retainer	34	Left Grip Panel
11	Recoil Spring Guide	23	Trigger/Magazine Catch Spring	35	Right Grip Screw
12	Safety Plunger Spring	24	Disconnecter	36	Right Grip Panel

Model 4 Auto



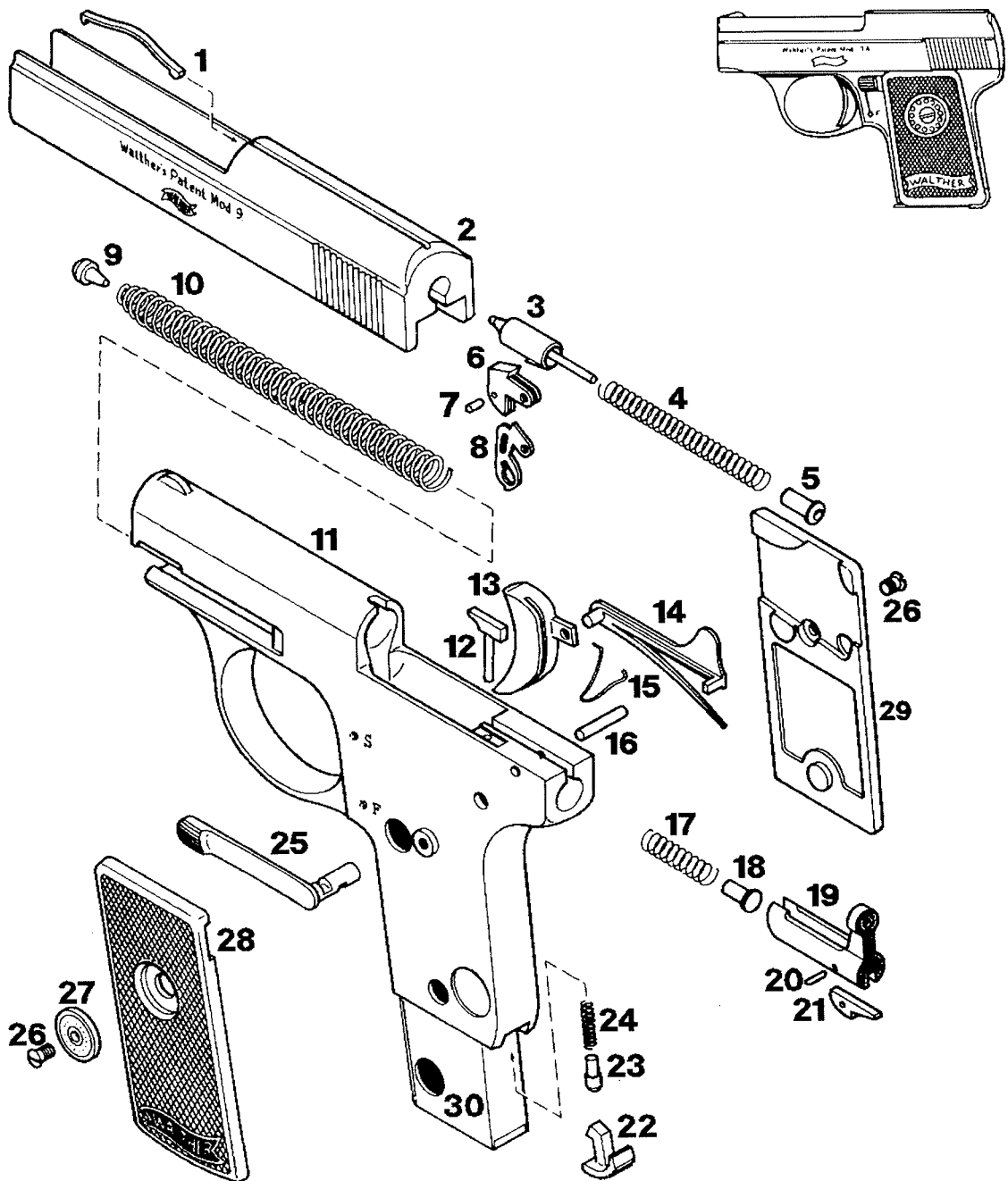
1	Slide Extension	20	Grip Screws
2	Slide	21	Magazine
3	Firing Pin Retainer	22	Mainspring Retainer Screw
4	Firing Pin Spring	23	Magazine Catch
5	Firing Pin	24	Magazine Catch Spring
6	Firing Pin Extension	25	Magazine Catch Pin
7	Recoil Spring	26	Mainspring Pin
8	Extractor	27	Mainspring
9	Extractor Spring	28	Safety Catch
10	Extractor Pin	29	Trigger Guard
11	Hammer	30	Trigger Bar
12	Hammer Roller Pin	31	Trigger Bar Spring
13	Hammer Roller	32	Trigger
14	Sear	33	Trigger Pin
15	Sear Spring	34	Trigger Spring
16	Hammer Pin	35	Barrel
17	Sear Pin	36	Recoil Spring Bushing
18	Safety Catch Nut	37	Ejector
19	Grips	38	Frame

Model 8 Auto



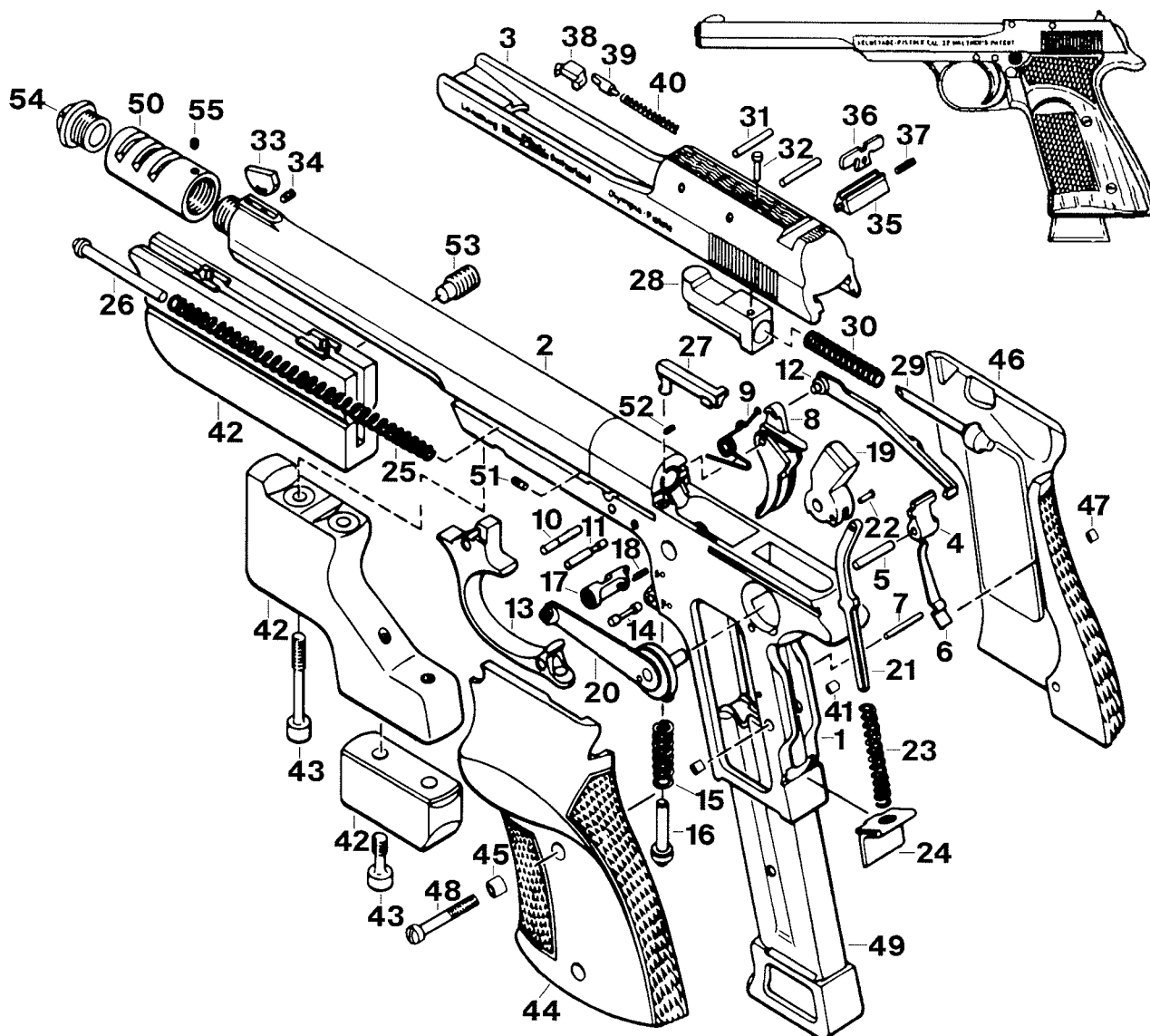
1	Slide	13	Firing Pin Spring	25	Sear Pin
2	Trigger Bar Spring	14	Firing Pin	26	Left Grip Retainer Screw
3	Trigger Bar	15	Firing Pin Extension	27	Left Grip Retainer
4	Hammer	16	Takedown Latch	28	Left Grip Panel
5	Sear	17	Takedown Latch Spring	29	Magazine
6	Ejector	18	Barrel	30	Magazine Catch
7	Sear Spring	19	Frame	31	Mainspring Plunger
8	Right Grip Retainer	20	Trigger Guard	32	Mainspring
9	Right Grip Panel	21	Takedown Latch Pin	33	Magazine Catch Plunger
10	Right Grip Panel Screw	22	Trigger Pin	34	Recoil Spring
11	Extractor	23	Trigger		
12	Breechblock	24	Safety		

Model 9 Auto



1	Extractor	11	Barrel and Frame Assembly	21	Latch Release Lever
2	Slide	12	Ejector	22	Magazine Catch
3	Firing Pin	13	Trigger	23	Magazine Catch Spring Plunger
4	Firing Pin Spring	14	Trigger Bar/Disconnecter	24	Magazine Catch Spring
5	Firing Pin Spring Guide	15	Trigger Return Spring	25	Safety
6	Sear	16	Sear Pin	26	Grip Screws
7	Sear Connector Pin	17	Takedown Latch Spring	27	Grip Escutcheons
8	Sear Lever	18	Takedown Latch Spring Plunger	28	Left Grip Panel
9	Recoil Spring Guide	19	Takedown Latch	29	Right Grip Panel
10	Recoil Spring	20	Latch Release Pin	30	Magazine

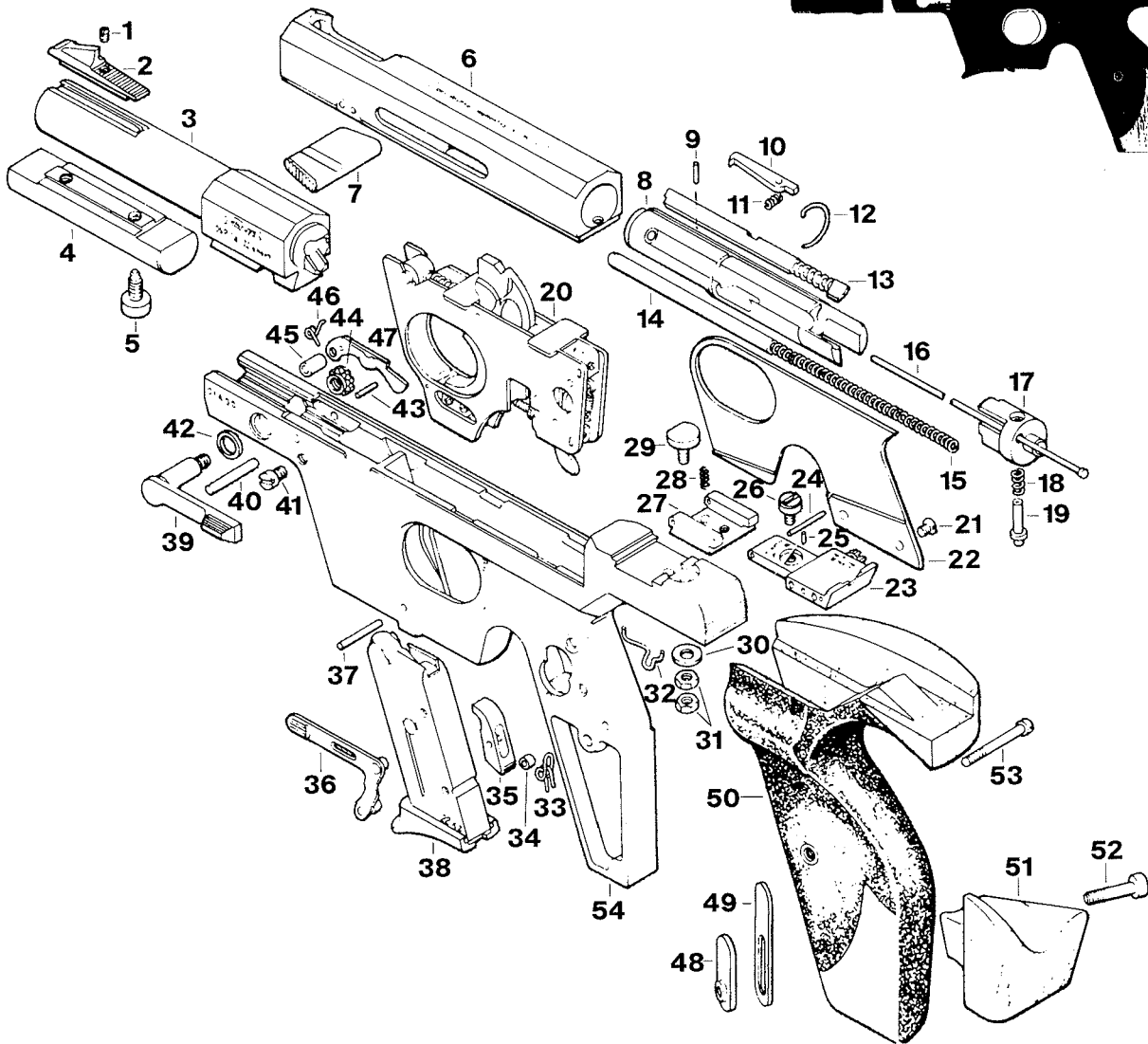
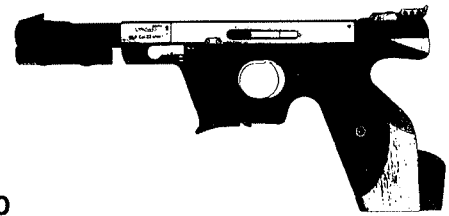
Olympia-Pistole Auto



1	Frame	20	Safety	39	Extractor Bolt
2	Barrel	21	Hammer Spring Plunger	40	Extractor Spring
3	Slide	22	Hammer Spring Plunger Pin	41	Grip Screw Sleeve
4	Sear	23	Hammer Spring	42	Weights
5	Sear Pin	24	Hammer Spring Bearing	43	Weight Screws
6	Sear Spring	25	Recoil Spring	44	Grip, Left
7	Sear Pin Spring	26	Recoil Spring Pin	45	Escutcheon
8	Trigger	27	Ejector	46	Grip, Right
9	Trigger Spring	28	Firing Pin Support	47	Grip Nut
10	Trigger Pin	29	Firing Pin	48	Grip Screw
11	Trigger Striking Pin	30	Firing Pin Spring	49	Magazine
12	Trigger Sear Bar	31	Firing Pin Support Pin	50	Muzzlebrake
13	Trigger Guard	32	Firing Pin Lock Pin	51	Trigger Adjusting Screw
14	Trigger Guard Pin	33	Front Sight	52	Lock Screw
15	Trigger Guard Spring	34	Front Sight Screw	53	Weight Screw
16	Trigger Guard Spring Pin	35	Rear Sight Base	54	Muzzlebrake Cover
17	Magazine Release	36	Rear Sight Blade	55	Muzzlebrake Lock Screw
18	Magazine Release Spring	37	Rear Sight Blade Screw		
19	Hammer	38	Extractor		

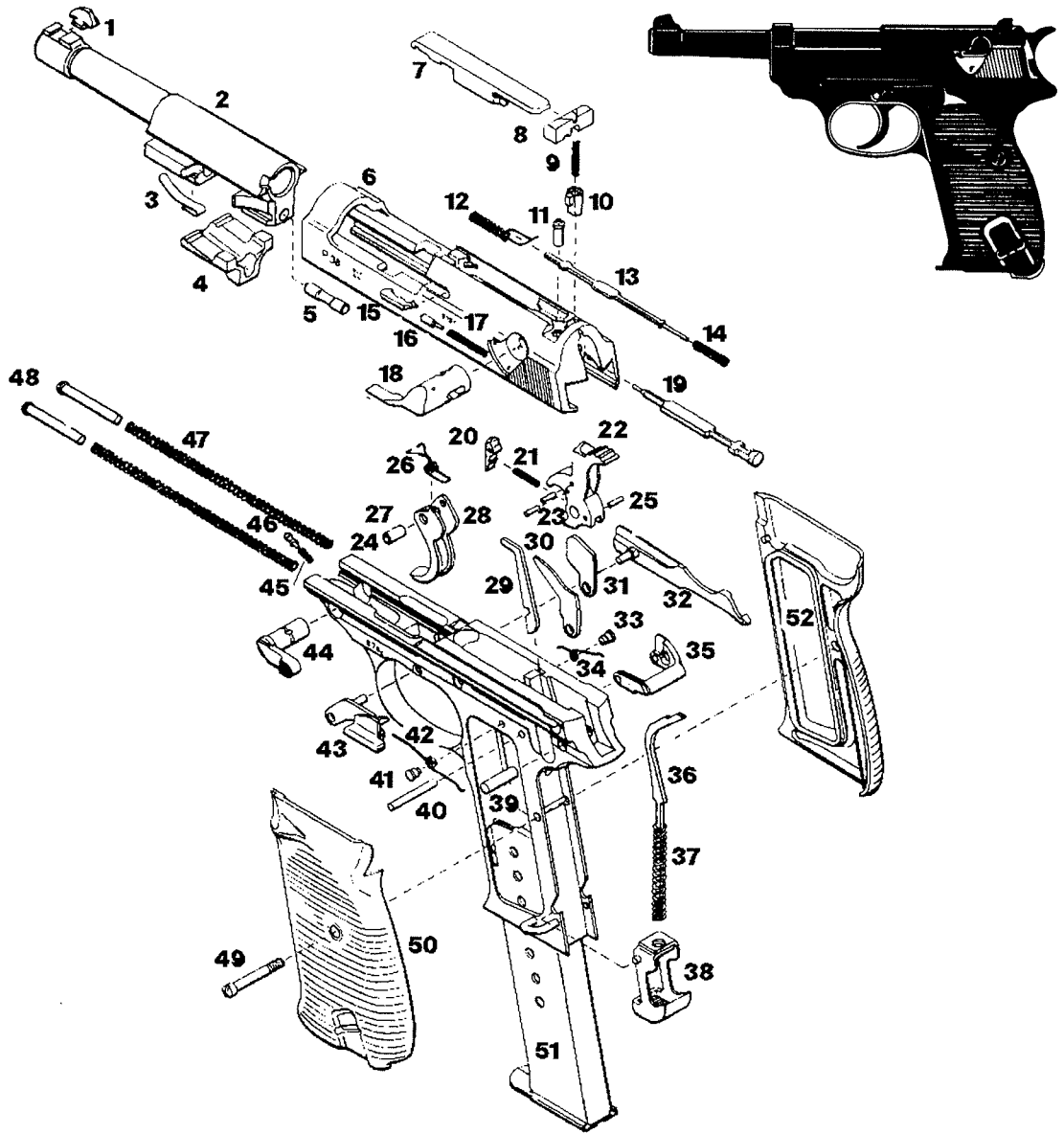
Olympia Rapid-Fire Auto

Courtesy of Blacksmith Corporation



- | | | | | | |
|-----------|-----------------------|-----------|--------------------------|-----------|------------------------|
| 1 | Sight Lock Screw | 19 | Stop Retaining Plunger | 37 | Magazine Catch Pin |
| 2 | Front Sight | 20 | Trigger Assembly | 38 | Magazine |
| 3 | Barrel | 21 | Sideplate Screw | 39 | Barrel Lock |
| 4 | Weight | 22 | Sideplate | 40 | Hold-Open Latch Pin |
| 5 | Weight Screw | 23 | Rear Sight Leaf Assembly | 41 | Barrel Lock Stop Screw |
| 6 | Receiver | 24 | Sight Leaf Pin | 42 | Barrel Lock Bushing |
| 7 | Cocking Piece | 25 | Click Pin | 43 | Lock Nut Pin |
| 8 | Bolt | 26 | Sight Elevation Screw | 44 | Lock Nut |
| 9 | Extractor Pin | 27 | Rear Sight Base | 45 | Spacer |
| 10 | Extractor | 28 | Rear Sight Spring | 46 | Hold-Open Latch Spring |
| 11 | Extractor Spring | 29 | Sight Retainer Screw | 47 | Hold-Open Latch |
| 12 | Firing Pin Retainer | 30 | Washer | 48 | Adjusting Screw Nut |
| 13 | Firing Pin and Spring | 31 | Sight Retainer Nuts | 49 | Slide Plate |
| 14 | Recoil Spring Housing | 32 | Safety Catch Spring | 50 | Grip |
| 15 | Recoil Spring | 33 | Magazine Catch Spring | 51 | Palm Rest |
| 16 | Recoil Spring Guide | 34 | Magazine Catch Bushing | 52 | Adjusting Screw |
| 17 | Bolt Stop | 35 | Magazine Catch | 53 | Grip Screw |
| 18 | Plunger Spring | 36 | Safety Catch | 54 | Frame |

P-38 Auto



1	Front Sight	19	Firing Pin	37	Hammer Spring
2	Barrel	20	Hammer Lever	38	Magazine Catch
3	Locking-Block Retainer Spring	21	Hammer Lever Spring	39	Hammer Pin
4	Locking Block	22	Hammer	40	Sear Pin
5	Locking-Block Operating Pin	23	Hammer Lever Pins	41	Slide Stop Return Spring Stud
6	Slide	24	Frame	42	Slide Stop Return Spring
7	Firing Pin and Indicator Cover	25	Strut Axle Pin	43	Slide Stop
8	Rear Sight	26	Trigger Spring	44	Takedown Lever
9	Automatic Firing Pin Lock Spring	27	Trigger Bushing	45	Retainer Latch Plunger Spring
10	Automatic Firing Pin Lock	28	Trigger	46	Retainer Latch Plunger
11	Firing Pin Retainer Pin	29	Ejector	47	Recoil Springs
12	Firing Pin Spring	30	Safety Hammer Lowering Lever	48	Recoil Spring Guides
13	Cartridge Indicator Pin	31	Firing Pin Lock Lifter	49	Grip Screw
14	Cartridge Indicator Spring	32	Trigger Bar	50	Left Grip Panel
15	Extractor	33	Trigger Bar Spring Stud	51	Magazine
16	Extractor Plunger	34	Trigger Bar Spring	52	Right Grip Panel
17	Extractor Plunger Spring	35	Sear		
18	Safety	36	Hammer Strut		

Mark IV Revolver

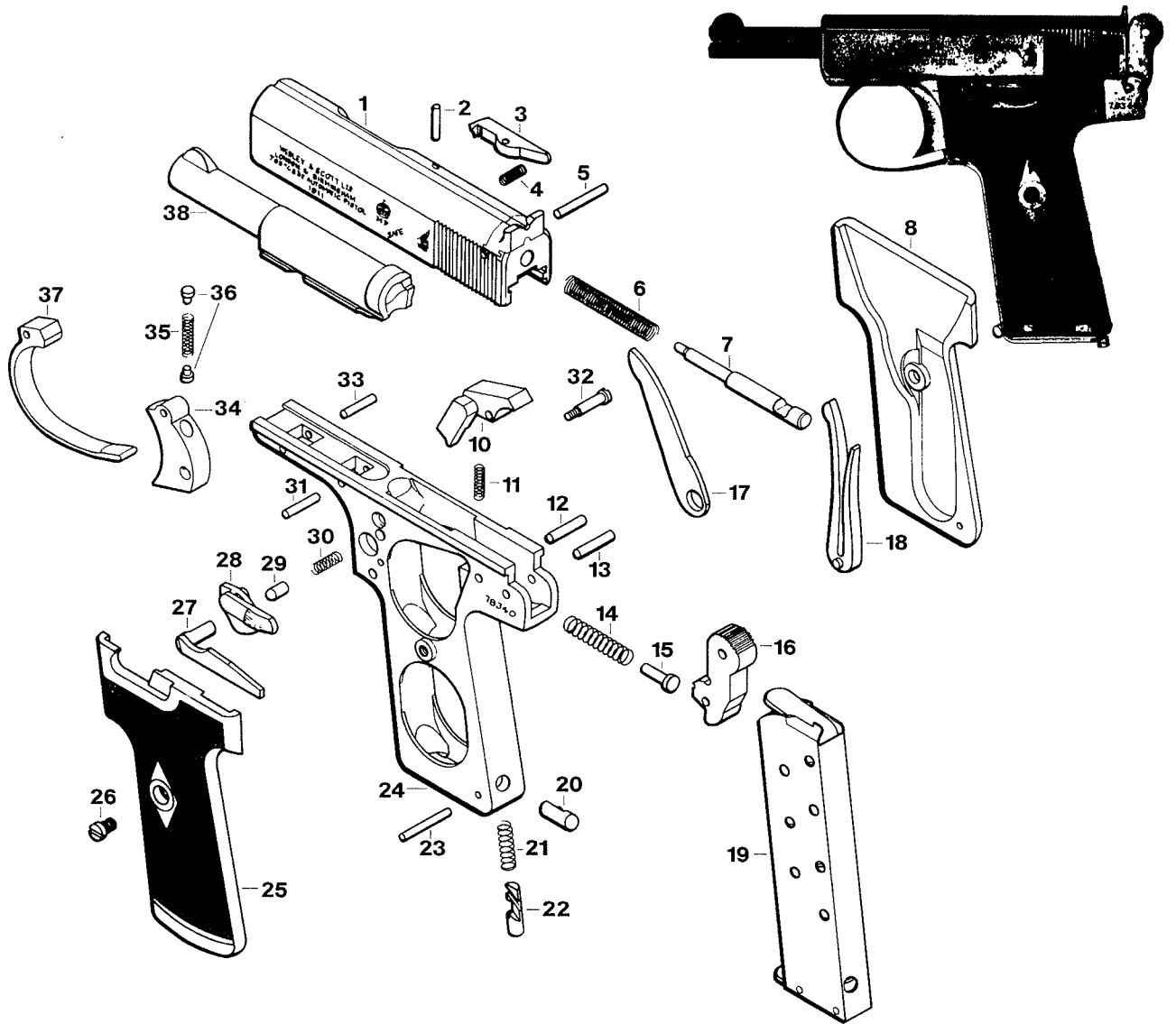
Courtesy of Dennis Riordan



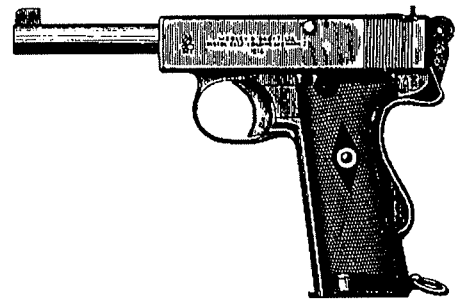
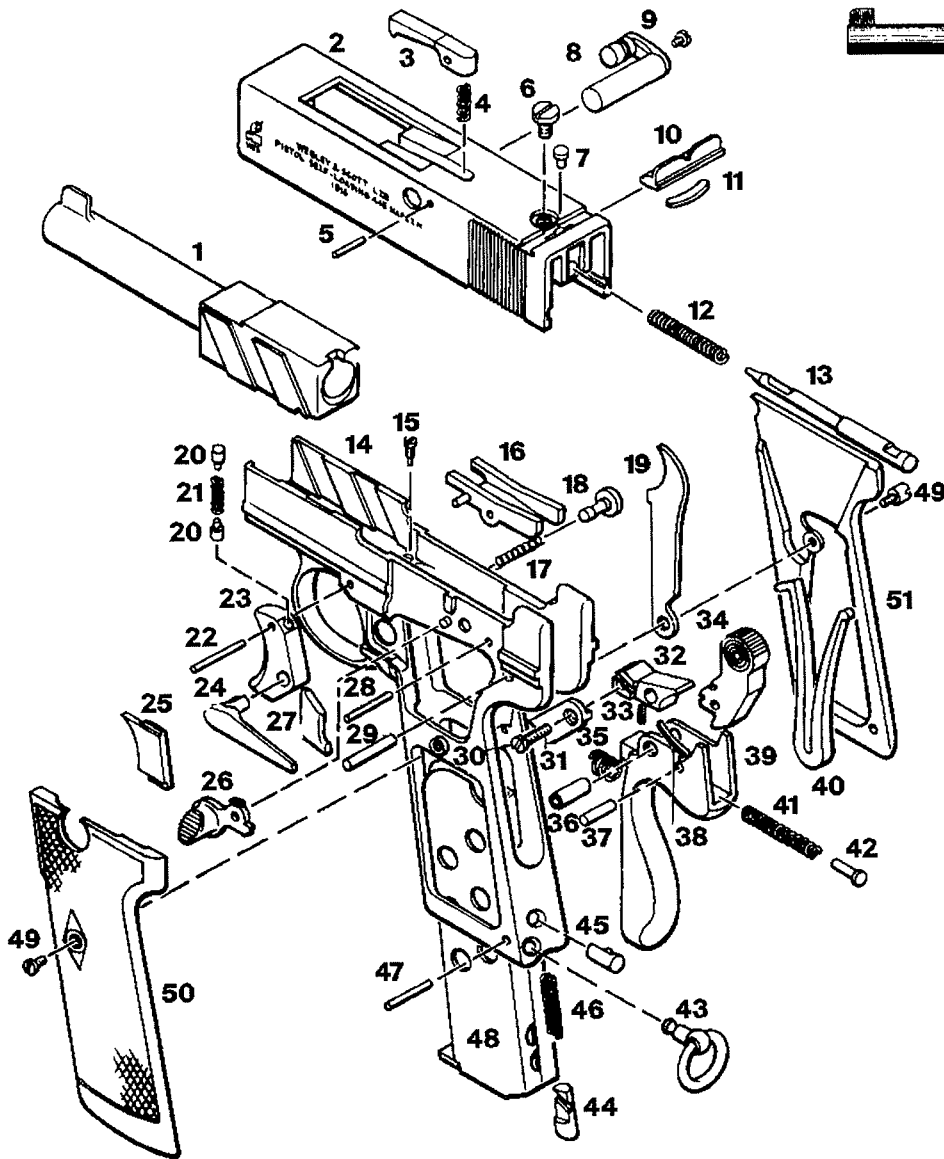
1	Barrel	17	Grip Pins	33	Bolt
2	Extractor Nut	18	Frame	34	Bolt Catch Pin
3	Extractor Spring	19	Lanyard Ring	35	Bolt Spring
4	Cylinder Retaining Cam	20	Trigger	36	Bolt Pin
5	Cylinder Cam Screws	21	Hand	37	Barrel Catch Screw
6	Cylinder	22	Trigger Guard	38	Cam Lever Lock Screw
7	Extractor	23	Trigger Guard Screws	39	Cam Lever
8	Hammer	24	Mainspring Lever	40	Cam Lever Screw
9	Barrel Catch Spring	25	Mainspring	41	Recoil Shield Screw
10	Barrel Catch	26	Hammer Screw	42	Hinge Pin
11	Hammer Catch	27	Trigger Screw	43	Extractor Lever Spring
12	Hammer Catch Spring	28	Recoil Shield	44	Extractor Lever Roller
13	Hammer Swivel Screw	29	Left-Hand Grip	45	Extractor Lever
14	Hammer Swivel	30	Grip Screw	46	Hinge Pin Screw
15	Hammer Catch Screw	31	Bolt Catch		
16	Right-Hand Grip	32	Bolt Catch Spring		

Metropolitan Police Auto

Courtesy of Dennis Riordan

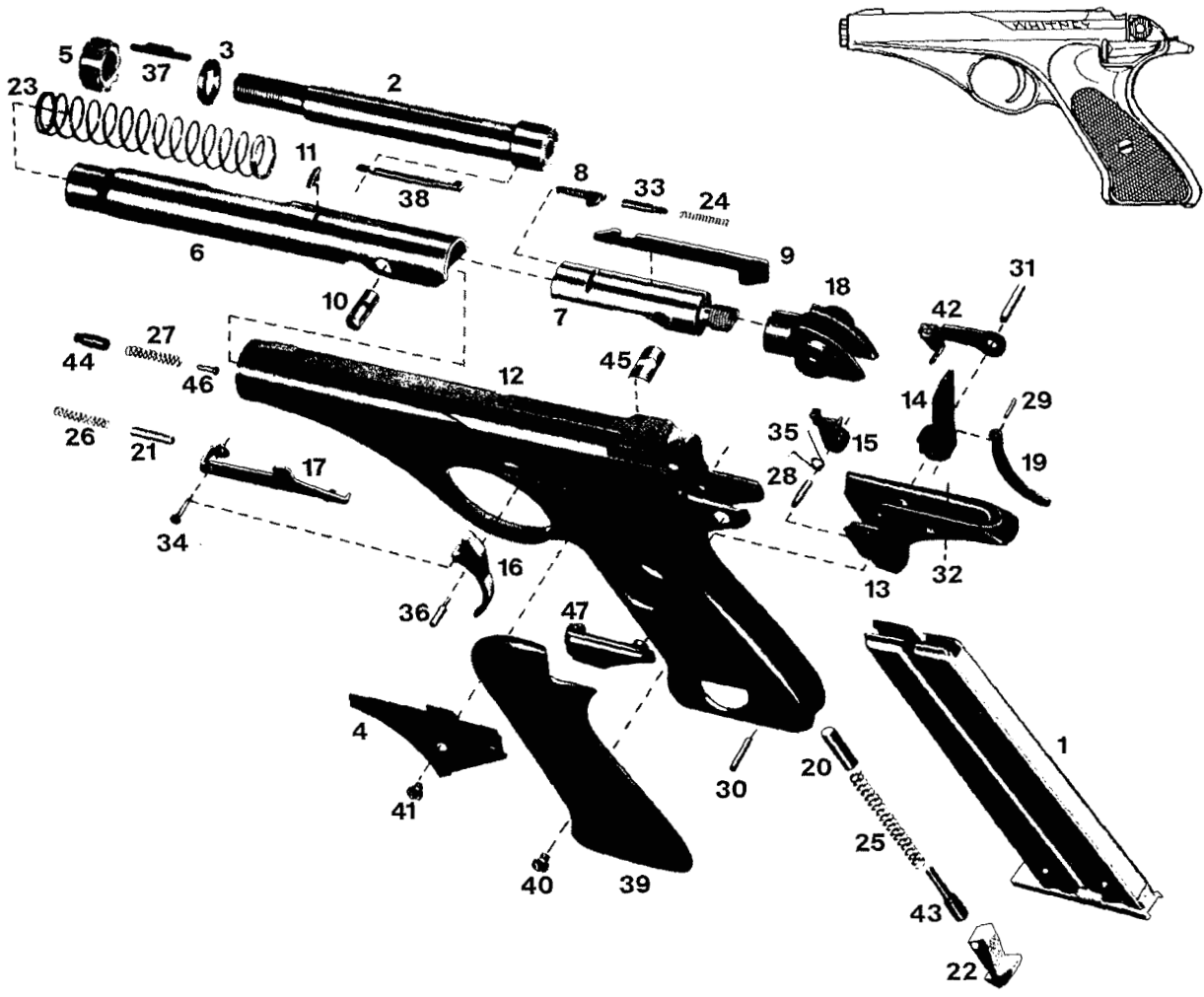


1	Slide	20	Magazine Catch
2	Extractor Pin	21	Magazine Catch Spring
3	Extractor	22	Magazine Release Button
4	Extractor Spring	23	Magazine Catch Pin
5	Firing Pin Retaining Pin	24	Frame
6	Firing Pin Spring	25	Left Grip
7	Firing Pin	26	Left Grip Screw (Short)
8	Right Grip	27	Trigger Bar
9	Right Grip Screw (Long)	28	Safety
10	Sear	29	Safety Detent
11	Sear Spring	30	Safety Detent Spring
12	Sear Pin	31	Trigger Pin
13	Hammer Pin	32	Safety Screw
14	Hammer Spring	33	Trigger Guard Pin
15	Hammer Spring Plunger	34	Trigger
16	Hammer	35	Trigger Spring
17	Recoil Arm	36	Trigger Spring Plungers
18	Recoil Spring	37	Trigger Guard
19	Magazine	38	Barrel

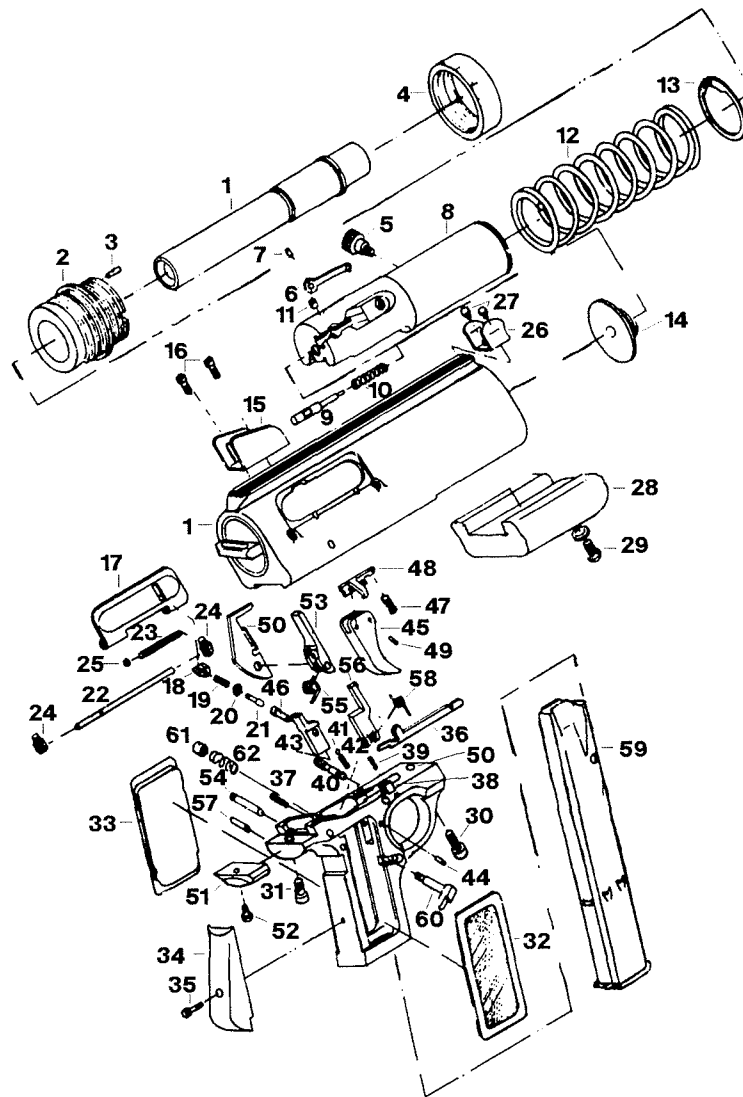


1	Barrel	18	Recoil Lever Stop	35	Grip Safety Spring
2	Slide	19	Recoil Spring Lever	36	Grip Safety Pivot
3	Extractor	20	Trigger Spring Plungers	37	Hammer Pin
4	Extractor Spring	21	Trigger Spring	38	Slide Latch Spring
5	Extractor Pin	22	Trigger Pivot Pin	39	Grip Safety
6	Rear Sight Screw	23	Trigger	40	Recoil Spring
7	Firing Pin Retainer	24	Trigger Bar	41	Hammer Spring
8	Takedown Block	25	Trigger Plate	42	Hammer Spring Plunger
9	Takedown Block Screw	26	Slide Latch	43	Lanyard Loop
10	Rear Sight	27	Trigger Auxiliary Lever	44	Magazine Catch Button
11	Firing Pin Retainer Spring	28	Slide Hold-Open Pin	45	Magazine Catch
12	Firing Pin Spring	29	Grip Safety Pin	46	Magazine Catch Spring
13	Firing Pin	30	Sear Lever Screw	47	Lanyard Loop Pin
14	Frame	31	Sear Lever	48	Magazine
15	Trigger Pin Screw	32	Sear	49	Grip Screws
16	Slide Latch	33	Sear Spring	50	Left Grip Panel
17	Recoil Lever Stop Spring	34	Hammer	51	Right Grip Panel

Wolverine 22 Auto

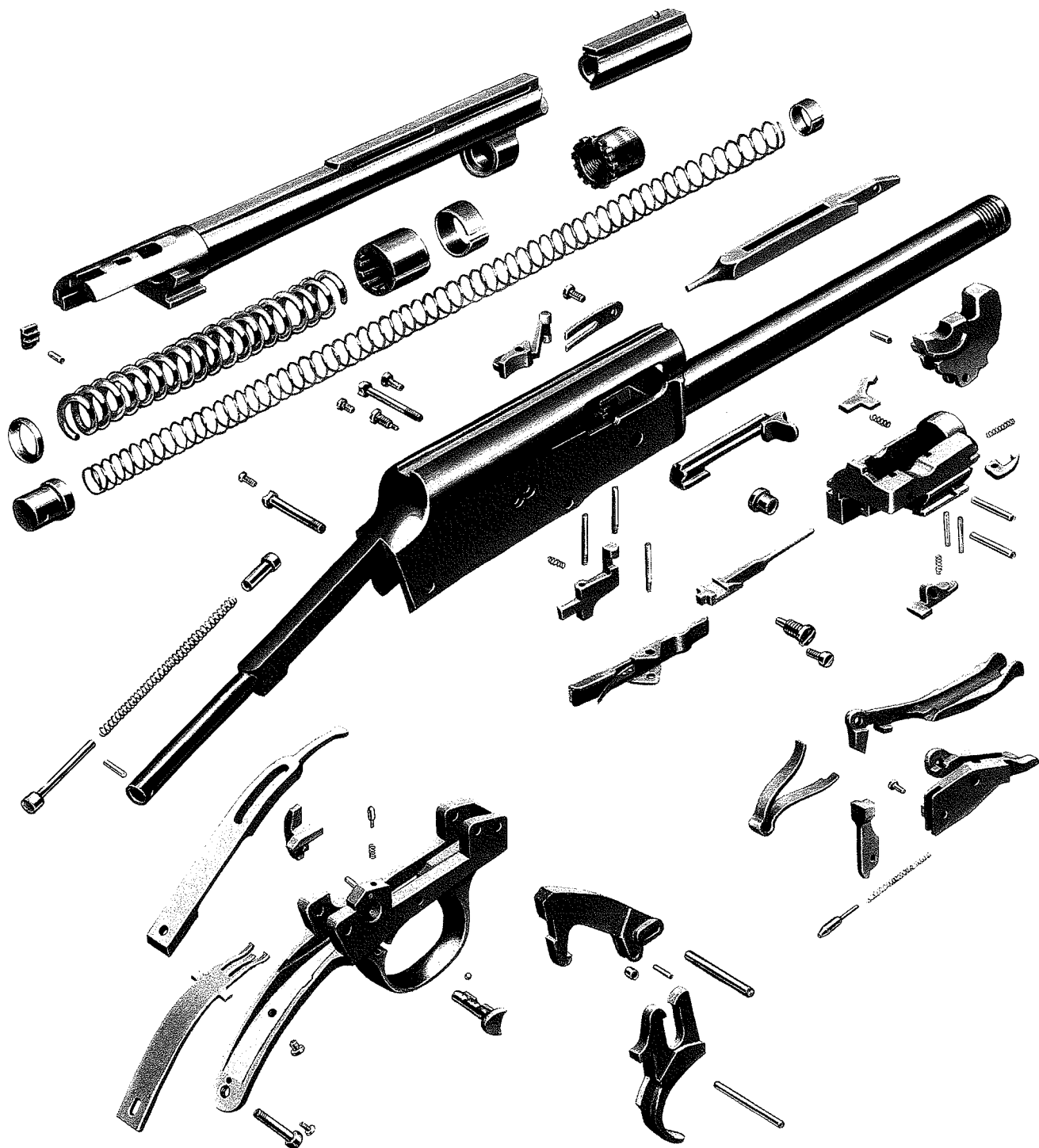


1	Magazine Assembly	25	Hammer Spring
2	Barrel	26	Trigger Spring
3	Barrel Seat	27	Locking Plunger Spring
4	Sideplate	28	Sear Pin
5	Nut	29	Strut Pin
6	Tube	30	Magazine Catch Pin
7	Breechblock	31	Hammer Pin
8	Extractor	32	Safety Lock Pin
9	Firing Pin	33	Extractor Plunger
10	Breech Pin	34	Trigger Connector
11	Firing Pin Lock	35	Sear Spring
12	Frame	36	Trigger Pin
13	Action Frame	37	Barrel Key
14	Hammer	38	Ejector
15	Sear	39	Pistol Grips
16	Trigger	40	Pistol Grip Screw
17	Sear Bar	41	Sideplate Screw
18	Cocking Piece	42	Magazine Disconnecter Safety
19	Strut	43	Hammer Spring Seat
20	Hammer Spring Plunger	44	Barrel Locking Plunger
21	Trigger Spring Plunger	45	Rear Sight
22	Magazine Catch	46	Spring Seat
23	Mainspring	47	Safety
24	Extractor Spring		

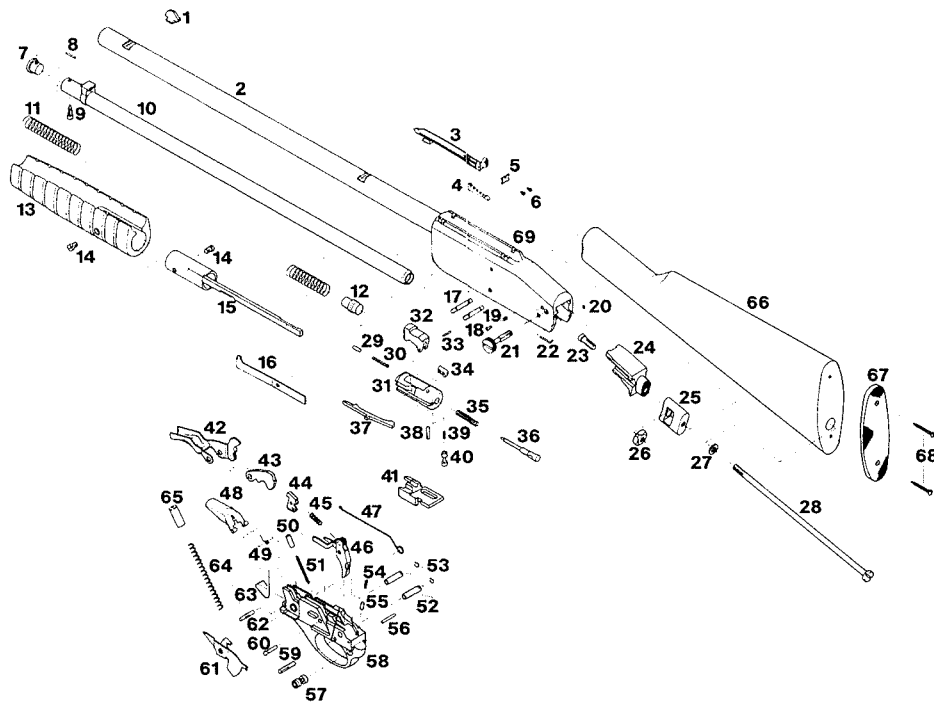


1	Barrel	23	Trap Door Rod Spring	45	Trigger
2	Barrel Support Sleeve	24	Trap Door Studs	46	Trigger Pin
3	Barrel Support Sleeve Pin	25	Trap Door Rod C-Clip	47	Trigger Spring
4	Barrel Retaining Nut	26	Front Sight	48	Connector
5	Cocking Knob	27	Front Sight Screws	49	Connector Pin
6	Extractor	28	Fore Grip	50	Trigger Group
7	Extractor Pin	29	Fore Grip Screw	51	Trigger Group Rear Insert
8	Bolt	30	Front Trigger Group Screw	52	Trigger Group Rear Insert Screw
9	Firing Pin	31	Rear Trigger Group Screw	53	Hammer
10	Firing Pin Spring	32	Right Grip	54	Hammer Pin
11	Firing Pin Retaining Button	33	Left Grip	55	Hammer Spring
12	Recoil Spring	34	Grip Retainer	56	Sear
13	Recoil Spring C-Clip	35	Grip Retainer Screw	57	Sear Pin
14	Recoil Buffer Pad	36	Disconnect	58	Sear Spring
15	Peep Sight	37	Disconnect Spring	59	Magazine
16	Peep Sight Screws	38	Disconnect Guide	60	Magazine Catch
17	Trap Door	39	Disconnect Guide Spring	61	Magazine Catch Button
18	Trap Door Button	40	Safety	62	Magazine Catch Spring
19	Trap Door Spring	41	Safety Retainer		
20	Trap Door C-Clip	42	Safety Retainer Spring	Parts Not Shown	
21	Trap Door Plunger	43	Feed Ramp	Ejector	
22	Trap Door Rod	44	Feed Ramp Pin	Trap Door Buffer Pad	

EXPLODED LONG GUN DRAWINGS

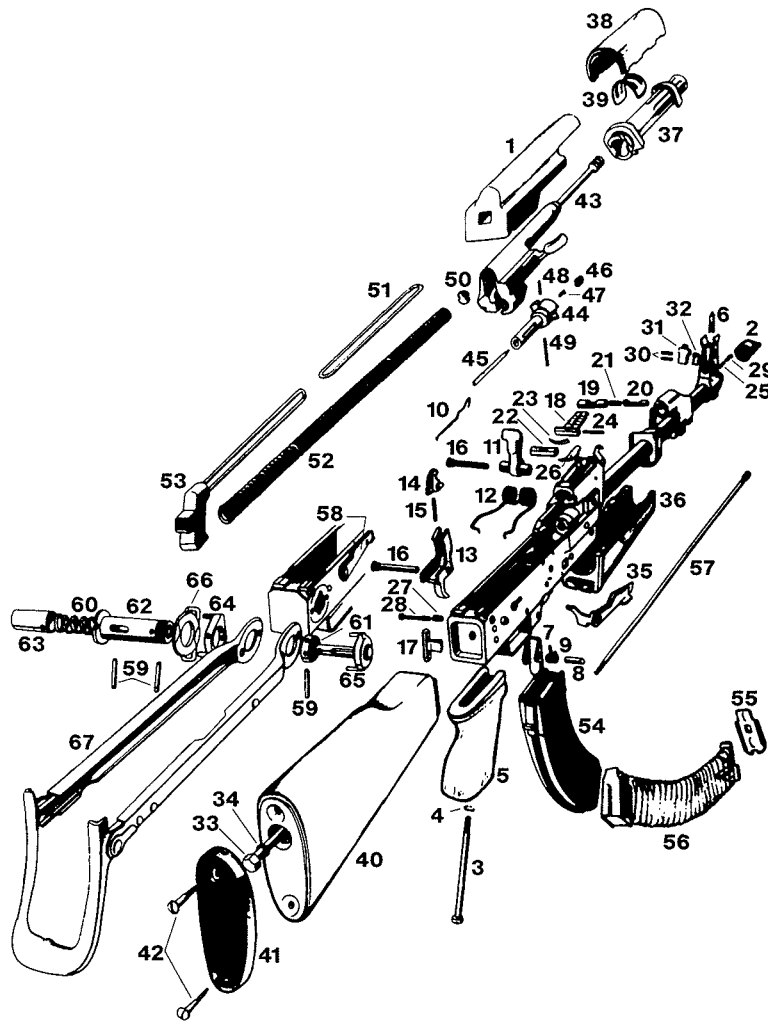


Timber Wolf Slide-Action Rifle



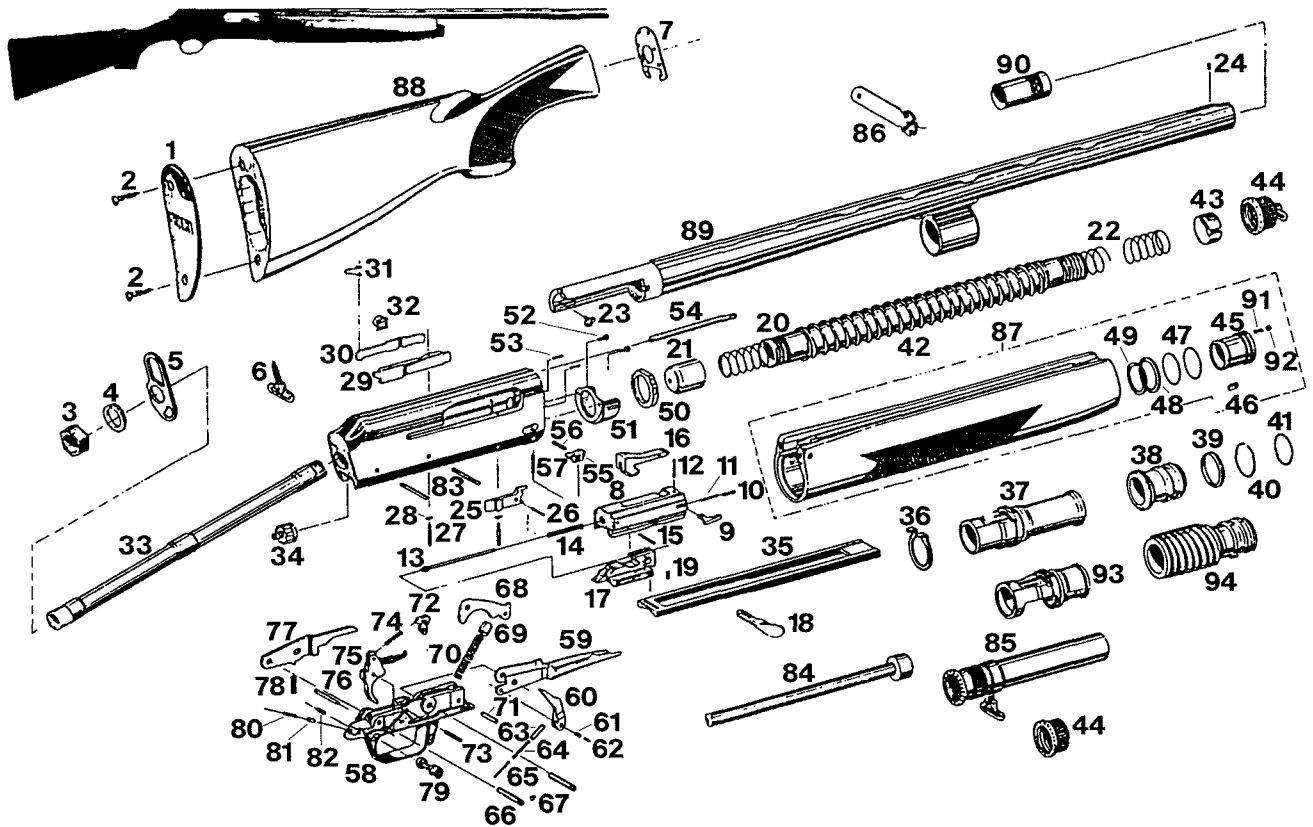
1	Front Sight	36	Firing Pin
2	Barrel	37	Ejector
3	Rear Sight	38	Firing Pin Retaining Pin
4	Rear Sight Elevator	39	Firing Pin Blocking Pin Spring
5	Rear Sight Plate	40	Firing Pin Blocking Pin
6	Rear Sight Screws	41	Bolt Slide
7	Magazine Plug	42	Carrier
8	Magazine Cap Pin	43	Hammer
9	Magazine Plug Screw	44	Sear
10	Magazine Tube	45	Trigger Sear Spring
11	Magazine Spring	46	Trigger Assembly
12	Magazine Follower	47	Firing Pin Blocking Rod
13	Forend	48	Loading Tray
14	Forend Tube Screws	49	Loading Tray Spring
15	Forend Tube	50	Carrier Spring Housing
16	Shell Latch	51	Carrier Spring
17	Trigger Plate Pin	52	Trigger Plate Pin Bushings
18	Locking Plunger	53	Trigger Plate Pin Detent Springs
19	Locking Plunger Spring	54	Safety Spring
20	Locking Plunger Retaining Ring	55	Safety Plunger
21	Takedown Screw	56	Safety Spring Pin
22	Takedown Screw Pin	57	Safety
23	Adjusting Screw, Buttstock	58	Trigger Plate
24	Buttstock Base	59	Trigger Pin
25	Adjusting Block, Buttstock	60	Sear Pin
26	Adjusting Screw Nut, Buttstock	61	Slide Latch
27	Stock Bolt Washer	62	Loading Tray Pin
28	Stock Bolt	63	Slide Latch Spring
29	Extractor Plunger	64	Hammer Spring
30	Extractor Spring	65	Hammer Spring Housing
31	Bolt	66	Buttstock
32	Bolt Locking Block	67	Buttplate
33	Bolt Locking Block Pin	68	Buttplate Screws
34	Extractor	69	Receiver
35	Firing Pin Spring		

AKY and AKF 39 Autoloading Rifle



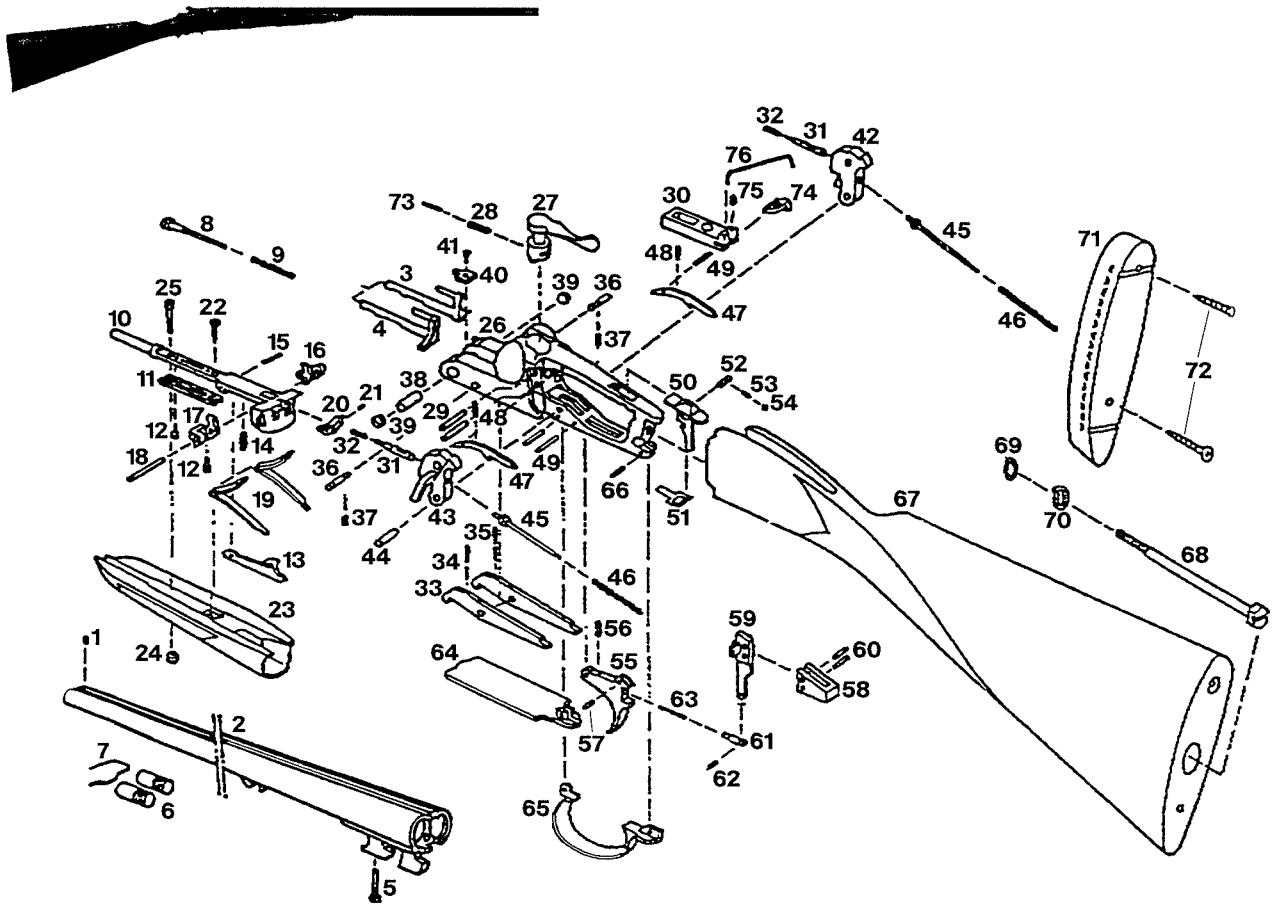
1	Receiver Cover	23	Rear Night Sight Spring	45	Firing Pin
2	Compensator	24	Pin	46	Extractor
3	Handgrip Screw	25	Muzzle Protecting Ring Spring	47	Extractor Spring
4	Washer	26	Rear Sight Leaf Spring	48	Extractor Locking Pin
5	Hand Grip	27	Recoil Spring Guide	49	Firing Pin Locking Pin
6	Front Sight	28	Recoil Spring Rod Lock	50	Locking Ring Recoil Spring
7	Magazine Catch	29	Protecting Ring Safety Pin	51	Front Guide Spring
8	Magazine Catch Pin	30	Front Night Sight Pins	52	Recoil Spring
9	Magazine Catch spring	31	Front Night Sight	53	Rear Guide Spring
10	Securing Pin	32	Front Night Sight Spring	54	Magazine Body
11	Striker	33	Butt Screw	55	Bottom Plate
12	Striker Spring	34	Ring Spring Washer	56	Follower Subassembly
13	Trigger	35	Fire Selector	57	Cleaning Rod
14	Cocking Piece	36	Forehand	58	Fire Selector (AKF 39)
15	Cocking Spring	37	Piston	59	Pins (AKF 39)
16	Trigger, Strike and Full-Auto- matic Sear Shaft	38	Cylinder Handguard	60	Plunger Spring (AKF 39)
17	Rear Swivel	39	Spring	61	Guide Nut (AKF 39)
18	Rear Sight Leaf	40	Stock	62	Guide (AKF 39)
19	Slide Rear Sight	41	Buttplate Rubber	63	Plunger (AKF 39)
20	Rear Sight Leaf Slide Catch	42	Butt Screws	64	Left Abutment (AKF 39)
21	Slide Catch Spring	43	Bolt Carrier with Piston	65	Right Abutment (AKF 39)
22	Rear Night Sight	44	Bolt Body	66	Rear Swivel (AKF 39)
				67	Metal Folding Stock (AKF 39)

Black Magic Autoloading Shotgun



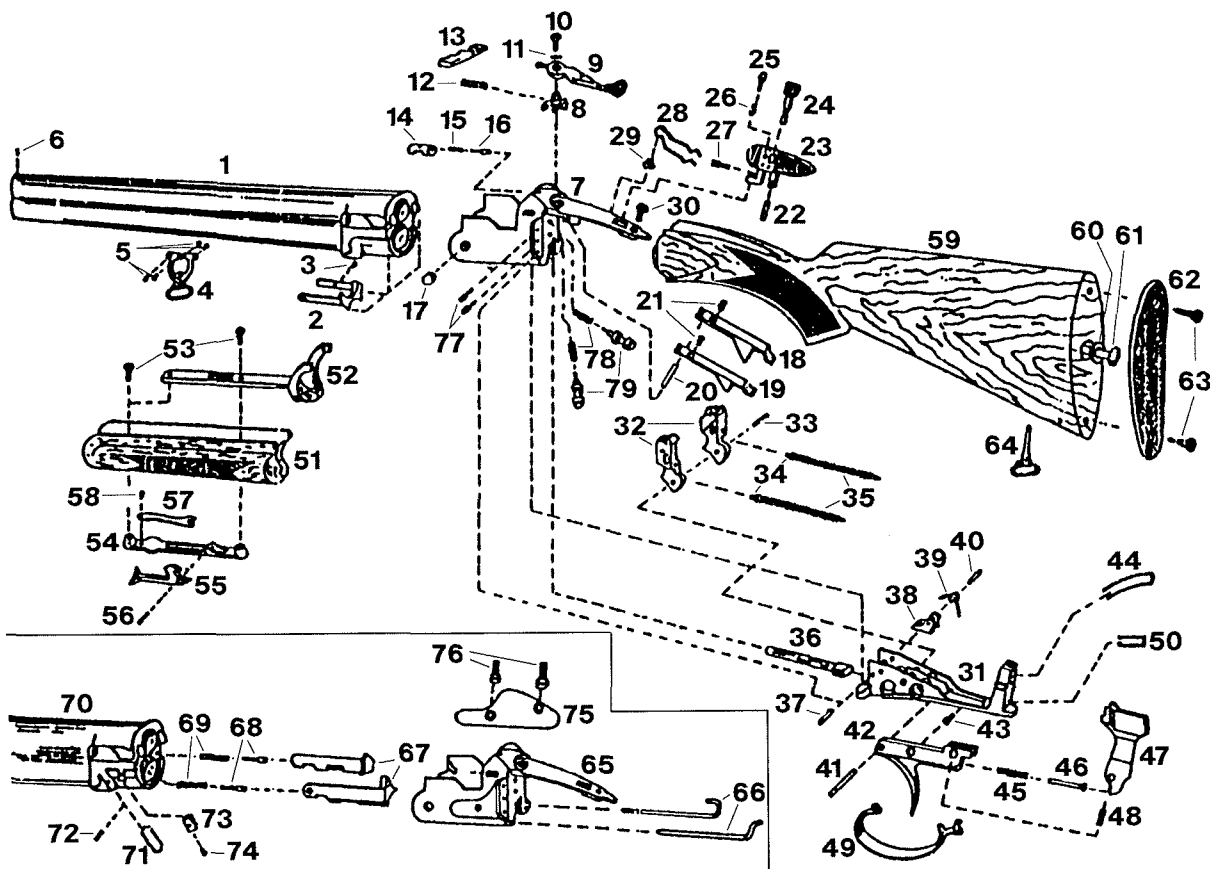
1	Rubber Buttplate	33	Stock Fastening Tube	63	Breechblock Latch Spring Follower
2	Buttplate Screws	34	Receiver Stock Absorber	64	Carrier Main Spring
3	Stock Plug	35	Cocking Rod	65	Carrier Auxiliary Spring
4	Stock Elastic Washer	36	Cocking Rod Retaining Spring	66	Trigger Guard Pin Bushings
5	Internal Buffer	37	Cocking Rod Support	67	Trigger Guard Pin Bushing Spring
6	Stock Swivel	38	Piston	68	Hammer
7	Stock Buffer	39	Piston Bushing	69	Hammer Spring Follower
8	Breechblock	40	Piston Bushing Snap Ring	70	Hammer Spring
9	Extractor	41	Cylinder Rubber Guide	71	Hammer Pin
10	Extractor Plunger	42	Action Spring	72	Sear
11	Extractor Spring	43	Magazine Spring Retaining Ring	73	Sear Pin
12	Extractor Pin	44	Forend Cap	74	Sear Spring
13	Firing Pin	45	Forend Front Support	75	Trigger Assembly
14	Firing Pin Spring	46	Key	76	Trigger Pin
15	Firing Pin Elastic Stop	47	Rubber Rings	77	Automatic Safety-Lever
16	Locking Block	48	Bearing Washer	78	Automatic Safety Spring
17	Breechblock Slide	49	Forend Front Support Retaining Ring	79	Hand Safety
18	Operating Handle	50	Support Shock Absorber	80	Hand Safety Spring
19	Operating Handle Spring	51	Forend Rear Support	81	Hand Safety Spring Follower
20	Magazine Tube	52	Forend Support Screws	82	Hand Safety Spring Retaining Pin
21	Magazine Follower	53	Forend Dowels	83	Trigger Plate Pins
22	Magazine Spring	54	Locking Block Shoe	84	Plug Reducer
23	Ejector	55	Magazine Cut-Off Button	85	Magazine Extension
24	Front Sight	56	Magazine Cut-Off Button Spring	86	Franchok Key
25	Magazine Shell Latch	57	Magazine Cut-Off Button Pin	87	Forend Assembly
26	Magazine Shell Latch Spring	58	Trigger Plate	88	Stock
27	Latch Pin	59	Carrier	89	Barrel Extension
28	Latch Pin Retaining Spring	60	Breechblock Latch	90	Internal Choke
29	Carrier Latch	61	Breechblock Latch Pin	91	Magazine Cap Retaining Pin Spring
30	Auxiliary Magazine Latch	62	Breechblock Latch Internal Pin	92	Magazine Cap Retaining Pin
31	Carrier Latch Spring			93	Cocking Rod Support
32	Carrier Latch Button			94	Piston Assembly

Brittany Side-by-Side Shotgun



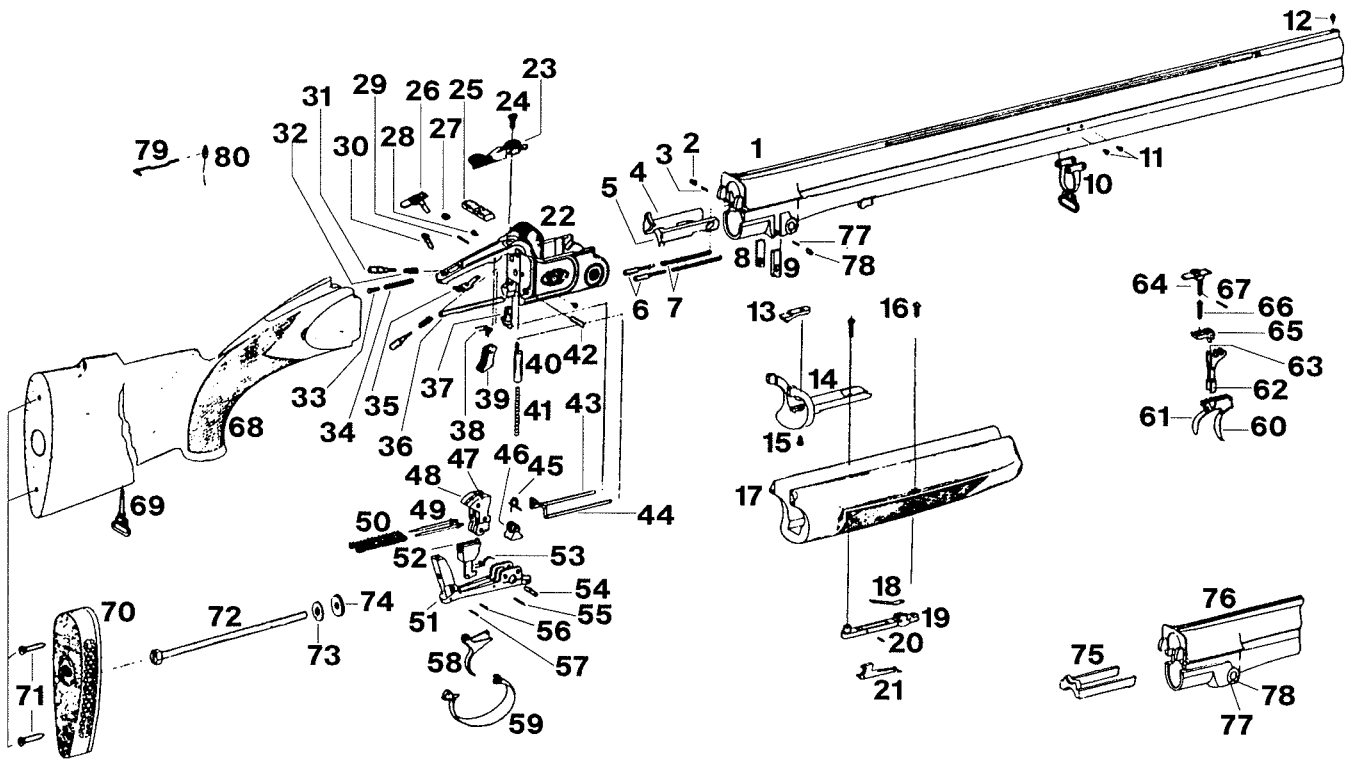
1	Front Sight Bead	28	Top Opening Lever Spring	51	Safety Spring
2	Barrels	29	Retaining Pins for Top Lever and Firing Pins	52	Safety Guide
3	Right Ejector	30	Barrel Locking Bolt	53	Selector Spring
4	Left Ejector	31	Firing Pins	54	Selector Spring Ball
5	Ejector Retaining Screw	32	Firing Pin Springs	55	Single Selective Trigger
6	Choke Tubes	33	Cocking Levers	56	Single Selective Trigger Spring
7	Choke Tube Key	34	Cocking Lever Springs	57	Single Selective Trigger Plate Screw
8	Forend Catch Button	35	Cocking Lever Spring Pin	58	Inertia Block
9	Forend Catch Spring	36	Cocking Lever Pins	59	Single Selective Trigger Plate
10	Forend Iron	37	Cocking Lever Pin	60	Inertia Block Roll Pins
11	Forend Catch	38	Barrel Locking Bolt	61	Trigger Plate Hinged Guide
12	Forend Catch Screws	39	Barrel Pivot Pin Caps	62	Hinged Guide Pin
13	Ejector Kicker Elevator	40	Activator for Ejector Kicker Elevator	63	Hinged Guide Spring
14	Ejector Kicker Elevator Spring	41	Activator Screw for Ejector Kicker Elevator	64	Trigger Plate
15	Ejector Kicker Elevator Pin	42	Right Hammer	65	Trigger Guard
16	Right Ejector Kicker	43	Left Hammer	66	Trigger Guard Pin
17	Left Ejector Kicker	44	Ejector Kickers Pin	67	Stock
18	Ejector Kicker Pin	45	Hammer Springs	68	Stock Screw
19	Ejector Spring	46	Hammer Spring Guides	69	Stock Screw Washer
20	Ejector Activator	47	Sears	70	Stock Screw Lock Washer
21	Ejector Activator Screw	48	Sear Springs	71	Recoil Pad
22	Forend Mount Screw	49	Sear and Trigger Plate Pins	72	Recoil Pad Screws
23	Forend	50	Selective Safety	73	Top Opening Lever Spring Plunger
24	Forend Nut			74	Locking Bolt Piece
25	Forend Screw			75	Locking Bolt Detent
26	Receiver			76	Locking Bolt Spring
27	Top Opening Lever				

Eagle Over/Under Shotgun



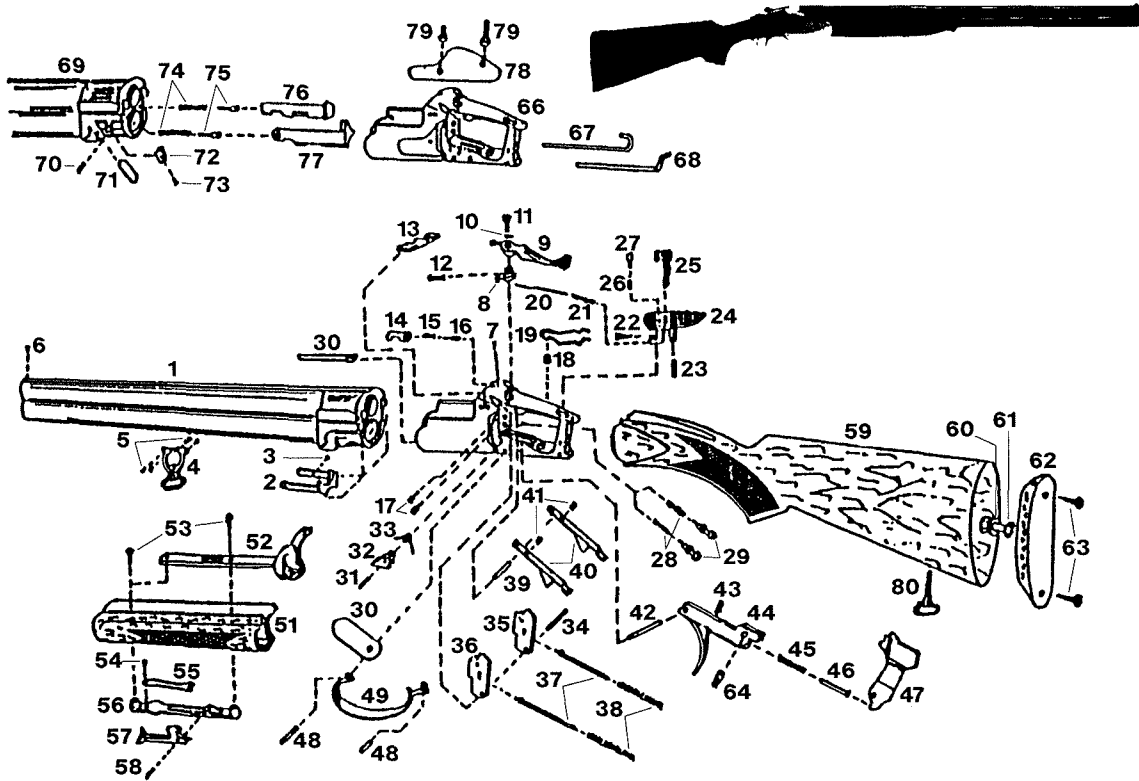
1	Barrel	27	Selective Catch Retaining Screw	53	Forend Screws
2	Extractor	28	Safety Spring	54	Forend Catch
3	Retaining Extractor Screw	29	Safety Spring Retaining Screw	55	Forend Handle
4	Sling Swivel	30	Floorplate Retaining Screw	56	Forend Handle Pin
5	Sling Swivel Screws	31	Floorplate	57	Forend Handle Spring
6	Bead	32	Hammers	58	Forend Handle Spring Retaining
7	Action	33	Hammer Pivot	59	Stock
8	Top Lever Key	34	Mainspring Guides	60	Stock Screw Washer
9	Top Lever	35	Mainsprings	61	Stock/Action Retaining Screw
10	Top Lever Screw	36	Cocking Lever Rod	62	Recoil Pad
11	Top Lever Washer	37	Floorplate/Action Retaining	63	Recoil Pad Retaining Screws
12	Top Lever Spring		Pivot Pin	64	Sling Swivel
13	Barrel Locking Bolt	38	Cocking Lever	65	Action
14	Locking Bolt Retaining	39	Cocking Lever Spring	66	Ejector Rods
15	Locking Bolt Retaining Spring	40	Cocking Lever Pivot Pin	67	Ejectors
16	Locking Bolt Retaining Guide	41	Trigger Pivot Pin	68	Ejector Spring Guides
17	Barrel Pivot Axe	42	Trigger	69	Ejector Springs
18	Right Sear	43	Trigger Buttscrew	70	Barrel
19	Left Sear	44	Trigger Spring	71	Ejector Sear
20	Sear Pivot	45	Cam Spring	72	Ejector Sear Spring
21	Sear Springs	46	Cam Spring Guide	73	Ejector Sear Retaining Plate
22	Safety Pivot	47	Cam	74	Ejector Retaining Plate Screw
23	Safety Button	48	Cam Retaining Screw	75	Sideplate
24	Selective Catch	49	Trigger Guard	76	Sideplate Screws
25	Selective Spring Guide	50	Trigger Guard Retaining Spring	77	Firing Pin Retaining Screws
26	Selective Catch Spring	51	Wood Forend	78	Firing Pin Return Springs
		52	Metal Forend	79	Firing Pins

Silver I Over/Under Shotgun



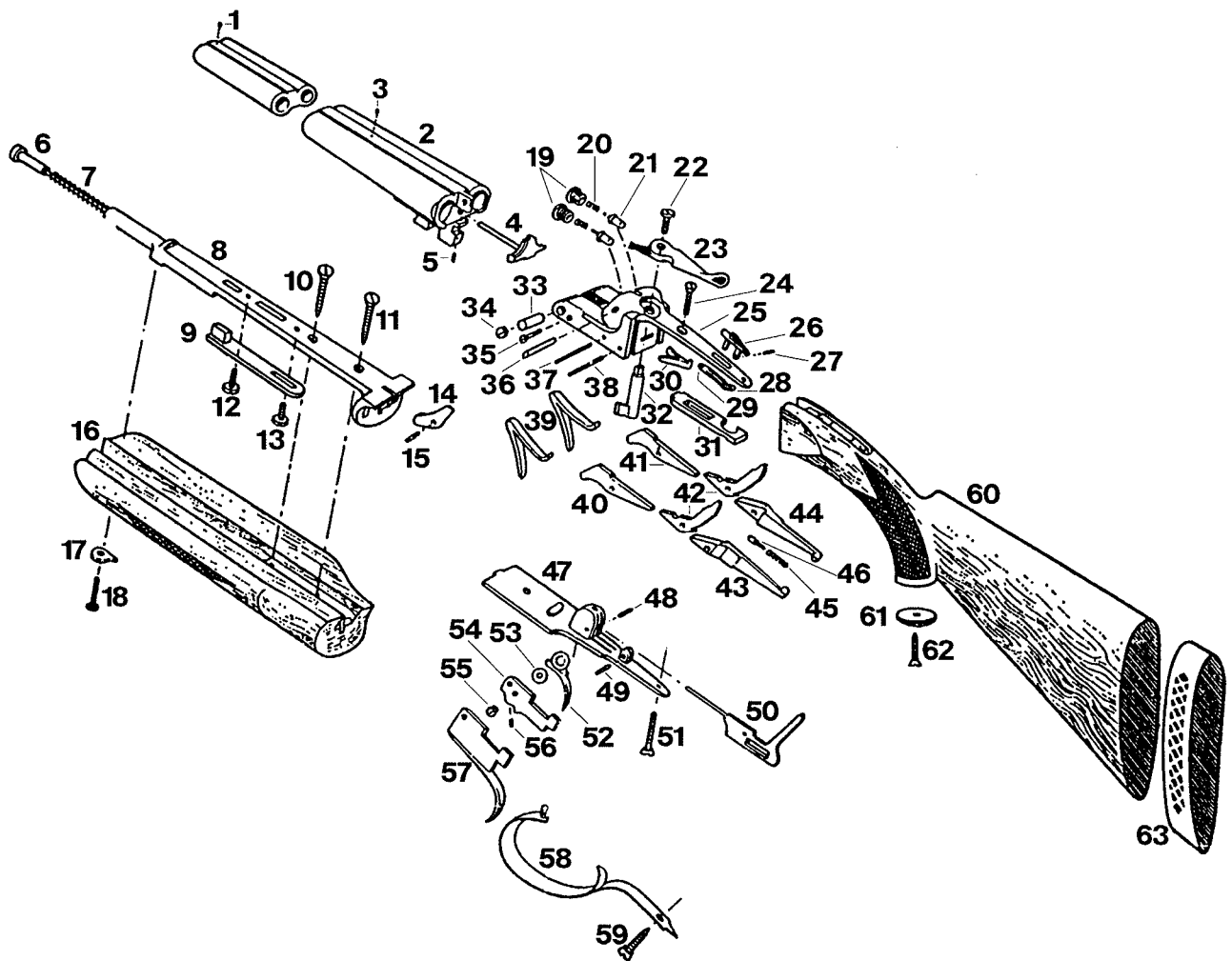
1	Barrels	28	Firing Pin Stop Screw	55	Trigger Pin
2	Catch Plate Stop Piston	29	Sear Pin	56	Inertia Block Spring Pin
3	Catch Plate Stop Piston Spring	30	Tang Screw	57	Trigger Guard Stop Pin
4	Left Extractor	31	Firing Pin	58	Single Trigger
5	Right Extractor	32	Firing Pin Springs	59	Trigger Guard
6	Extractor Spring Guides	33	Top Lever Spring Guide	60	Right Trigger
7	Extractor Springs	34	Top Lever Spring	61	Left Trigger
8	Left Extractor Catch Plate	35	Safety Spring	62	Right Trigger Plate
9	Right Extractor Catch Plate	36	Cocking Bar	63	Left Trigger Plate
10	Front Sling Swivel	37	Spindle	64	Safety
11	Sling Swivel Screws	38	Sear Spring	65	Safety Plate
12	Front Sight	39	Sear	66	Safety Spring
13	Cocking Hook	40	Cross Bolt Stop Piston	67	Safety Spring Pin
14	Forend Iron	41	Cross Bolt Stop Piston Spring	68	Stock
15	Cocking Hook Screw	42	Cocking Toggle Pin	69	Sling Swivel
16	Forend Iron Screws	43	Left Ejector Control Rod	70	Buttplate
17	Forearm Wood	44	Right Ejector Control Rod	71	Buttplate Screws
18	Forearm Catch Plate Spring	45	Cocking Toggle Spring	72	Stock Bolt
19	Forearm Catch Plate	46	Cocking Toggle	73	Stock Lock Washer
20	Forearm Catch Pin	47	Left Hammer	74	Stock Washer
21	Forearm Catch	48	Right Hammer	75	Normal Extractor
22	Frame	49	Hammer Strut	76	Barrels
23	Top Lever	50	Hammer Spring	77	Washer Lump
24	Top Lever Screw	51	Trigger Plate	78	Washer Lump Lock Screw
25	Cross Bolt	52	Inertia Block	79	Automatic Safety Bar
26	Safety	53	Inertia Block Spring	80	Automatic Safety Bar Screw
27	Safety Guide Plate	54	Hammer Pin		

**Silver I and II, Sterling, Bristol and Charles Daly
Over/Under Shotgun**



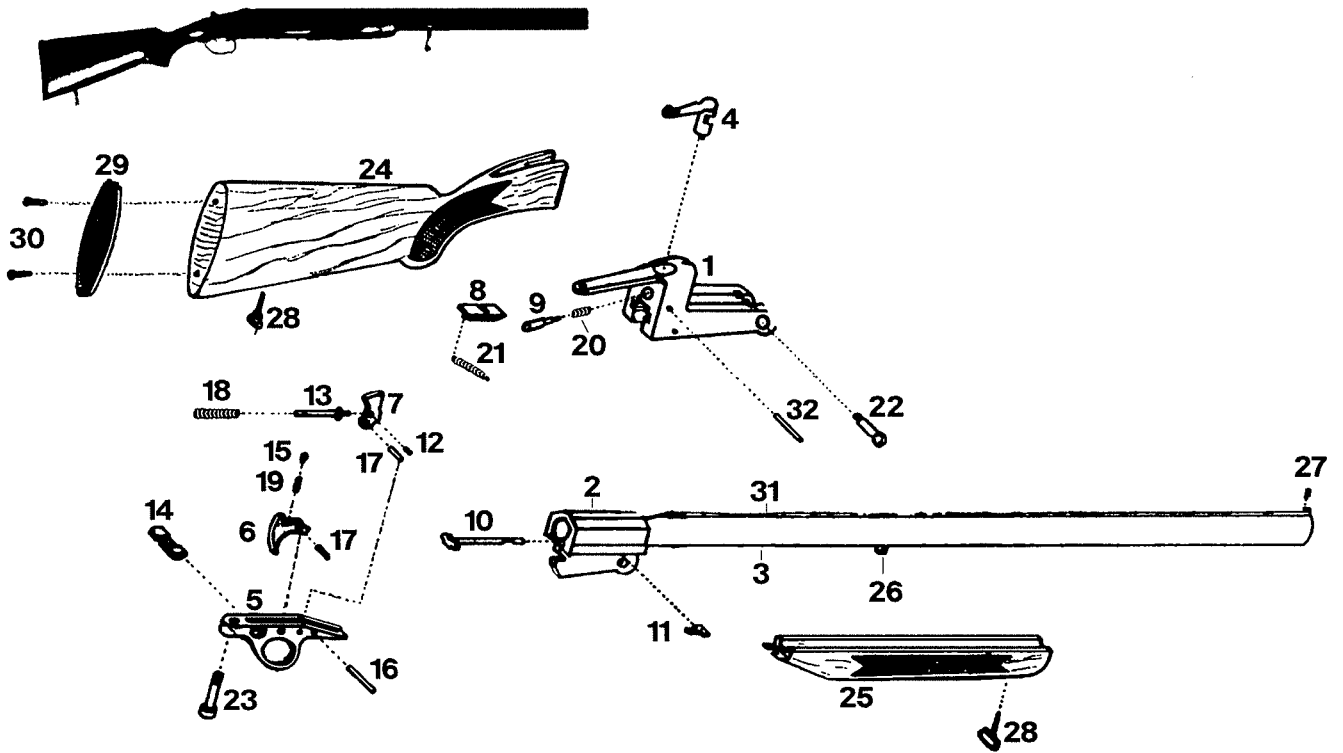
1	Barrel	27	Selective Spring Guide	54	Forend Hand Spring Screw
2	Extractor	28	Firing Pin Return Springs	55	Forend Handle Spring
3	Retaining Extractor Screw	29	Firing Pins	56	Forend Catch
4	Sling Swivel	30	Cocking Lever Rod	57	Forend Handle
5	Sling Swivel Screws	31	Cocking Lever Pivot Pin	58	Forend Handle Pin
6	Bead	32	Cocking Lever	59	Stock
7	Action	33	Cocking Lever Spring	60	Stock Screw Washer
8	Top Lever Key	34	Hammer Pivot	61	Stock/Action Retaining Screw
9	Top Lever	35	Right Hammer	62	Recoil Pad
10	Top Lever Washer	36	Left Hammer	63	Recoil Pad Screws
11	Top Lever Screw	37	Mainspring Guides	64	Cam Retaining Screw
12	Top Lever Spring	38	Mainsprings	65	Safety
13	Barrel Locking Bolt	39	Sear Pivot	66	Ejection Action
14	Locking Bolt Retaining	40	Sears	67	Ejector Rod, Right
15	Locking Bolt Retaining Spring	41	Sear Springs	68	Ejector Rod, Left
16	Locking Bolt Retaining Guide	42	Trigger Pivot	69	Ejector Barrel
17	Firing Pin Retaining	43	Trigger Spring	70	Ejector Sear Spring
18	Safety Spring Retaining Screw	44	Trigger	71	Ejector Sear
19	Safety Spring	45	Cam Spring	72	Ejector Retaining Plate
20	Automatic Safety Rod	46	Cam Spring Guide	73	Ejector Retaining Plate Screw
21	Automatic Safety Rod Spring	47	Cam	74	Ejector Springs
22	Selective Catch Retaining Screw	48	Trigger Guard Pins	75	Ejector Spring Guides
23	Safety Pivot	49	Trigger Guard	76	Right Automatic Ejector
24	Safety Button	50	Floorplate	77	Left Automatic Ejector
25	Selective Catch	51	Wood Forend	78	Sideplate
26	Selective Catch Spring	52	Metal Forend	79	Sideplate Screws
		53	Forend Screws	80	Sling Swivel

Waterfowl Special and Turkey Special Side-by-Side Shotgun



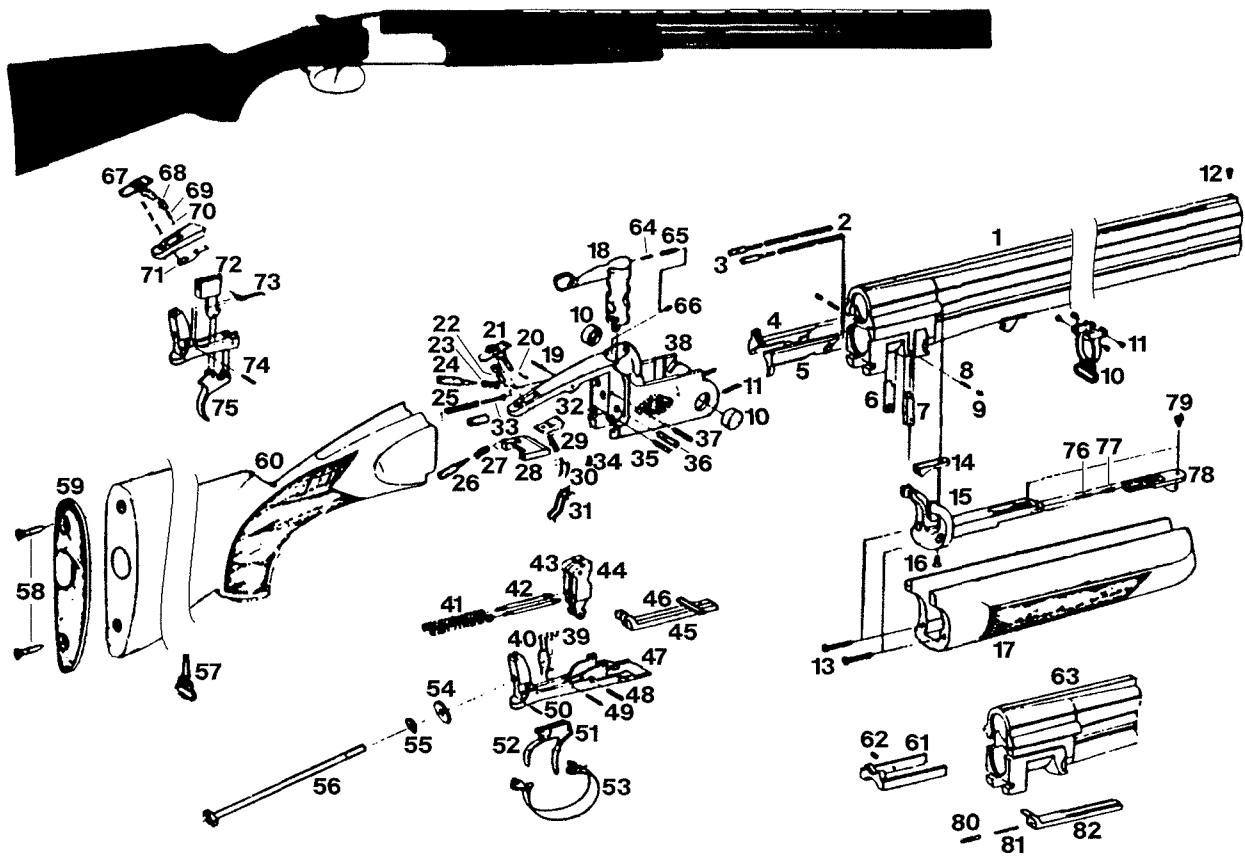
1	Front Sight Bead	20	Firing Pin Springs	42	Hammers
2	Barrels	21	Firing Pins	43	Sear, Left
3	Rear Sight Bead	22	Top Lever Screw	44	Sear, Right
4	Extractor	23	Top Lever	45	Sear Springs
5	Extractor Retaining Screw	24	Upper Tang Screw	46	Sear Spring Guides
6	Forend Catch Button	25	Breech Assembly	47	Trigger Plate
7	Forend Catch Spring	26	Safety Button	48	Trigger Pin
8	Forend Iron	27	Safety Button Pin	49	Safety Square Pin
9	Forend Catch	28	Safety Spring	50	Safety Activator
10	Forend Mount Screw, Front	29	Safety Spring Screw	51	Trigger Plate Screw, Rear
11	Forend Mount Screw, Rear	30	Top Lever Spring	52	Front Trigger, Lower
12	Forend Catch Screw, Front	31	Horizontal Bolt	53	Front Trigger Rivet Plate
13	Forend Catch Screw, Rear	32	Vertical Bolt	54	Front Trigger Sear
14	Extractor Hammer Cocking Lever	33	Barrel Pivot Pin	55	Front Trigger Screw
15	Extractor Hammer Cocking Lever	34	Barrel Pivot Pin Cap	56	Front Trigger Hinge Spring
16	Forend Wood	35	Cocking Lever Pivot Screw	57	Rear Trigger
17	Forend Escutcheon	36	Round Cross-Bolt	58	Trigger Guard
18	Forend Escutcheon Mounting Screw	37	Hammer Pivot Pin	59	Trigger Guard Screw
19	Firing Pin Bushings	38	Sear Pivot Pin	60	Stock
		39	Hammer Springs	61	Grip Cap
		40	Cocking Lever, Left	62	Grip Cap Screw
		41	Cocking Lever, Right	63	Rubber Recoil Pad

Waterfowl Special and Turkey Special Single Shotgun



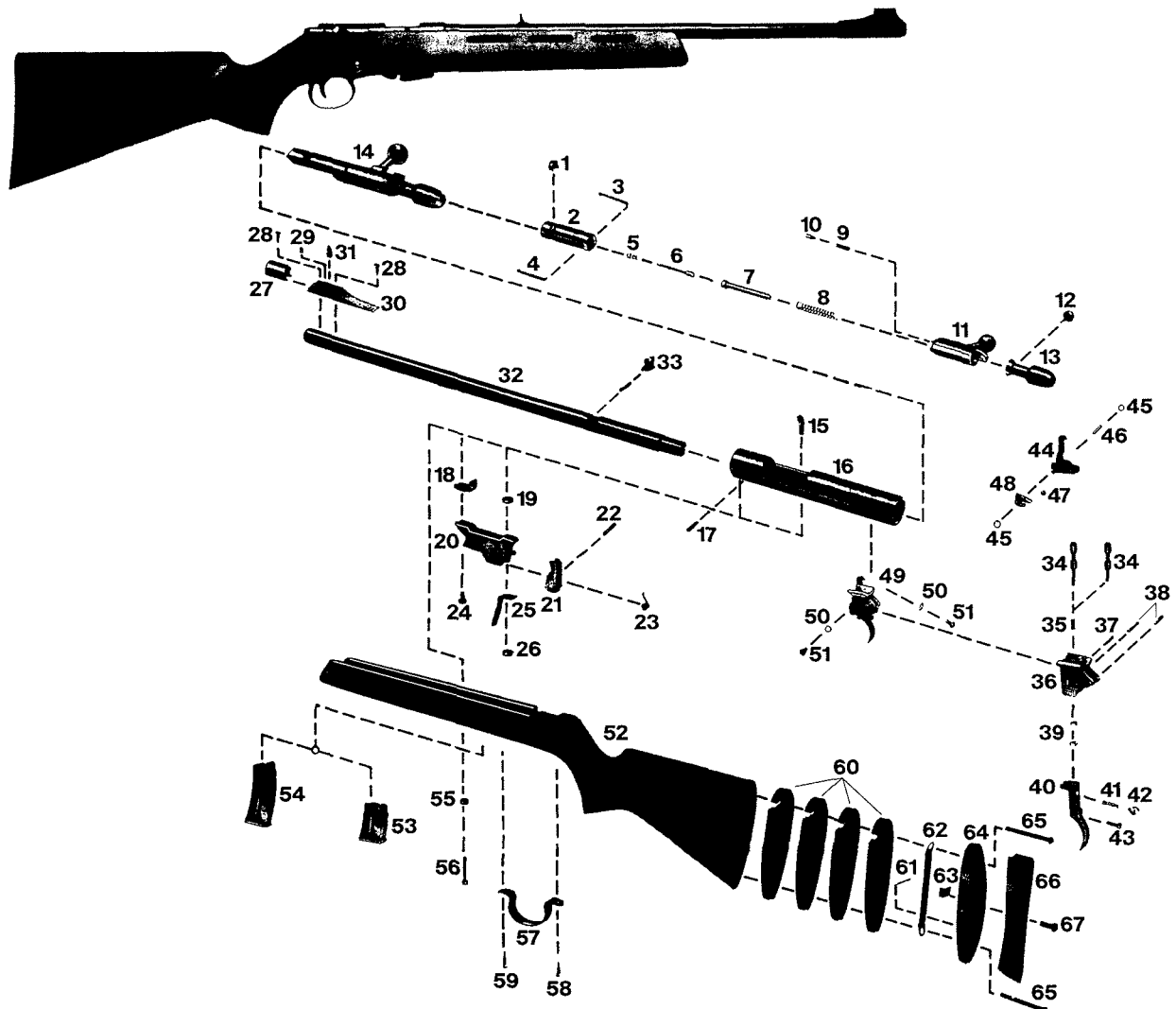
1	Frame	17	Hammer and Trigger Pin
2	Coupling Box	18	Hammer Spring
3	Barrel	19	Trigger Spring
4	Top Lever	20	Firing Spring
5	Trigger Guard	21	Crossbolt Spring
6	Trigger	22	Hinge Screw
7	Hammer	23	Tang Screw
8	Cross Bolt	24	Stock
9	Firing Pin	25	Forearm
10	Extractor	26	Forend Holder
11	Extractor Plate	27	Front Sight
12	Spring Guide Pin	28	Sling Swivels
13	Spring Guide	29	Buttplate
14	Safety	30	Buttplate Screws
15	Safety Top Spring	31	Ventilated Rib
16	Trigger Guard Retaining Pin	32	Firing Pin Retaining Pin

Waterfowl Special and Turkey Special Over/Under Shotgun



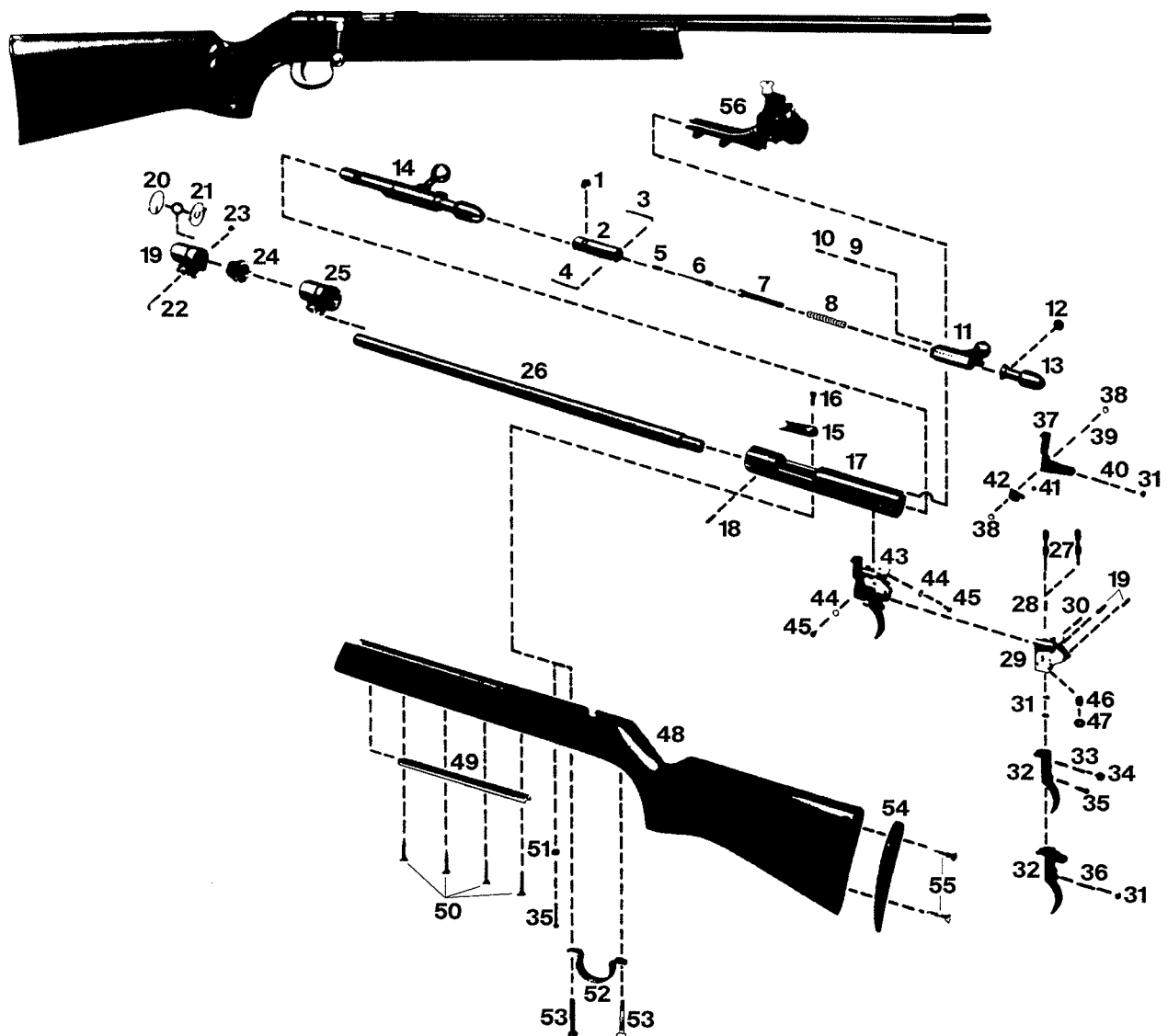
1	Barrels	29	Safety Spring	57	Swing Swivel, Rear
2	Extractor Springs	30	Sear Spring	58	Buttplate Screws
3	Extractor Spring Guides	31	Sear	59	Buttplate
4	Left Extractor	32	Safety Guide Plate	60	Stock
5	Right Extractor	33	Top Lever Spring Guide	61	Normal Extractor
6	Left Extractor Catch Plate	34	Screw Contrast Spring Top Lever	62	Screw Extractor
7	Right Extractor Catch Plate	35	Trigger Plate Forearm Catch Pin	63	Barrels
8	Catch Plate Stop Piston Spring	36	Top Lever Forearm Catch Pin	64	Top Lever Spring
9	Catch Plate Stop Piston	37	Firing Pin Forearm Catch Pin	65	Top Lever Plunger
10	Front Swing Swivel	38	Frame	66	Top Lever Detent
11	Sling Swivel Screws	39	Right Trigger Plate	67	Barrel Selector/Safety
12	Front Sight	40	Left Trigger Plate	68	Barrel Selector/Safety Plunger
13	Forearm Wood Screws	41	Hammer Spring	69	Barrel Selector/Safety Spring
14	Cocking Hook	42	Hammer Strut	70	Barrel Selector/Safety Detent
15	Forend Iron	43	Left Hammer	71	Barrel Selector/Safety Plate
16	Cocking Hook Screw	44	Right Hammer	72	Safety Connector
17	Forearm	45	Cocking Bar, Right	73	Trigger Spring
18	Top Lever	46	Cocking Bar, Left	74	Trigger Accessory Pin
19	Sear Pin	47	Trigger Plate	75	Single Selective Trigger
20	Forearm Spring Safety	48	Hammer Pin	76	Forend Catch Spring
21	Safety	49	Trigger Pin	77	Forend Catch Plunger
22	Tang Screw	50	Trigger Guard Stop Pin	78	Forend Catch
23	Firing Pin Springs	51	Right Trigger	79	Forend Latch Screw
24	Right Firing Pin	52	Left Trigger	80	Lifter Plunger
25	Top Lever Spring	53	Trigger Guard	81	Lifter Spring
26	Left Firing Pin	54	Stock Washer	82	Extractor Lifter
27	Firing Pin Spring	55	Stock Lock Washer		
28	Cross Bolt	56	Stock Bolt		

Achiever Bolt-Action Rifle



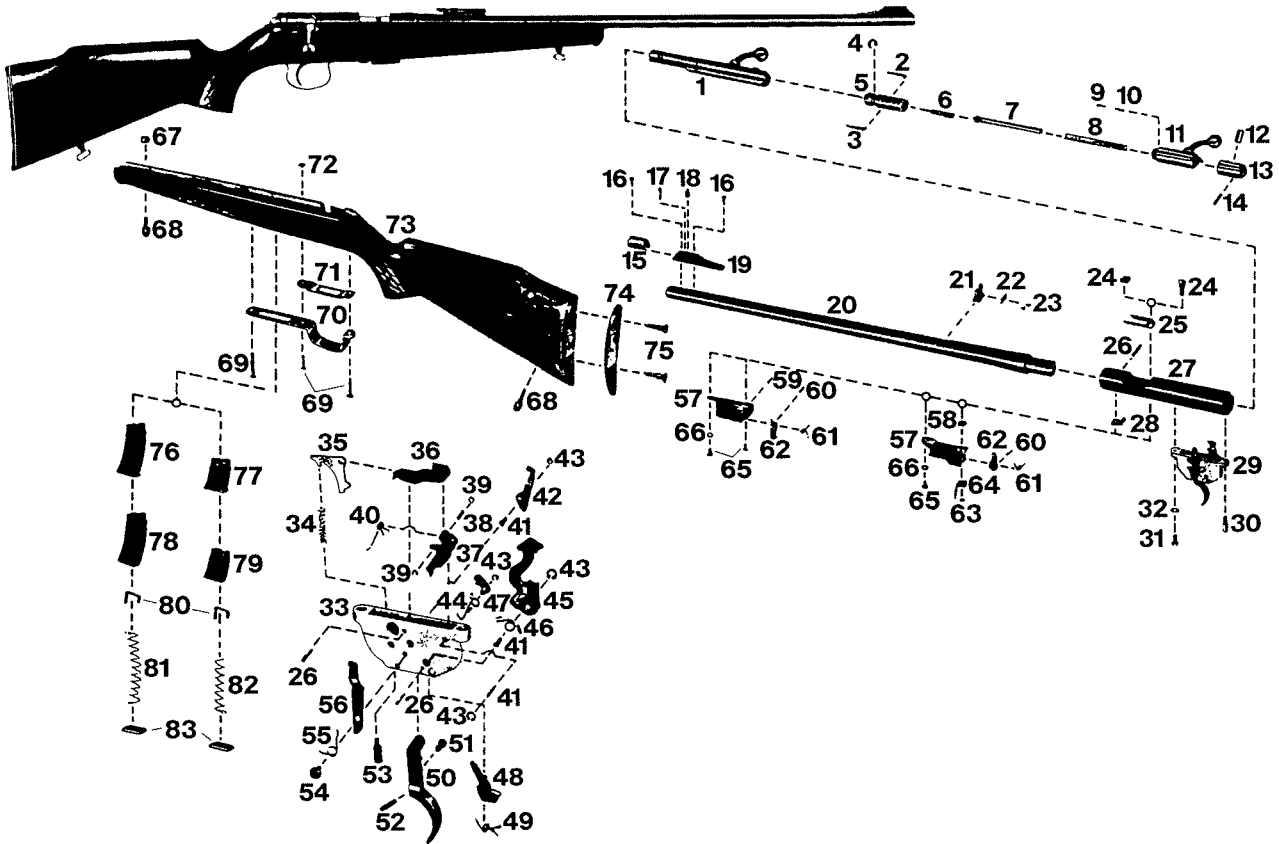
1	Spring Clamp	24	Pan Head Screw	47	Detent Balls
2	Bolt Head	25	Guide Tongue	48	Leaf Spring
3	Extractor	26	Ejector Nut	49	Two-Stage Trigger Assembly
4	Cartridge Retainer	27	Front Sight Hood	50	Toothed Lock Washers
5	Firing Pin Spring	28	Countersunk Flat-Head Screws	51	Pan Head Screws
6	Firing Pin	29	Clamping Piece	52	Stock
7	Striker Pin	30	Front Sight Base	53	5-Shot Magazine Assembly
8	Striker Spring	31	Front Sight Bead	54	10-Shot Magazine Assembly
9	Catch Bolt Spring	32	Barrel	55	Threaded Sleeve
10	Catch Bolt	33	Folding Sight	56	Pan Head Screw
11	Bolt with Handle	34	Release Plungers	57	Trigger Guard
12	Guide Bolt	35	Release Plunger Spring	58	Countersunk Oval Head Wood Screw
13	Cocking Piece	36	Trigger Housing	59	Screw
14	Bolt Assembly	37	Clamping Pin	60	Spacers
15	Ejector Screw	38	Cylindrical Pins	61	Cylindrical Pin
16	Receiver	39	Hexagon Nuts	62	Cover Plate
17	Cylindrical Pin	40	Trigger	63	Nut
18	Intermediate Piece	41	Trigger Spring	64	Guide Plate
19	Distance Ring	42	Bolt Spring	65	Screws
20	Magazine Guide	43	Pan Head Screw	66	Buttplate
21	Magazine Catch	44	Safety-Lever	67	Screw
22	Cylindrical Pin	45	Retaining Collars		
23	Torsional Spring	46	Pin		

Mark 2000 and 2000 D Bolt-Action Rifle



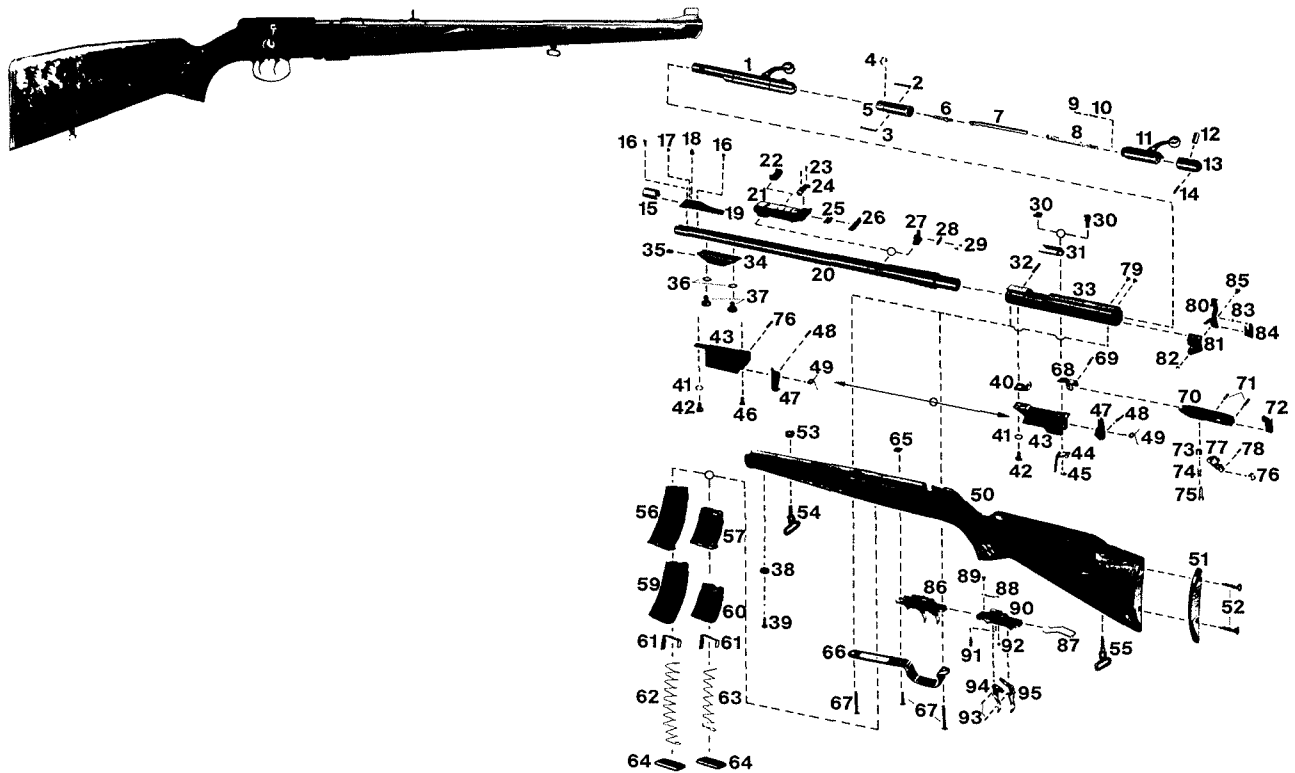
1 Bolt Head Spring Clamp	20 Post Insert	39 Retaining Collar Pin
2 Bolt Head	21 Aperture Insert	40 Retaining Collar Set Screw
3 Extractor	22 Hook Screw	41 Detent Ball
4 Cartridge Retainer	23 Nut	42 Leaf Spring
5 Firing Pin Spring	24 Clamp Ring	43 Two-Stage Trigger Assembly
6 Firing Pin	25 Front Sight, Complete	44 Toothed Lock Washers
7 Striker Pin	26 Barrel	45 Single-Stage Trigger Pan Head Screws
8 Striker Spring	27 Release Plungers	46 Threaded Sleeve
9 Catch Bolt Spring	28 Release Plunger Spring	47 Flat Nut
10 Catch Bolt	29 Trigger Housing	48 Stock with Buttplate
11 Bolt with Handle	30 Clamping Sleeve	49 Front Swivel Rail
12 Guide Bolt	31 Hexagon Nuts	50 Front Swivel Rail Screws
13 Cocking Piece	32 Triggers	51 Sleeve
14 Bolt Assembly	33 Trigger Spring	52 Trigger Guard
15 Loading Platform	34 Spring Bolt	53 Trigger Guard Screws
16 Loading Platform Screw	35 Pan Head Screws	54 Buttplate
17 Receiver	36 Set Screw	55 Buttplate Screws
18 Cylindrical Pins	37 Safety-Lever	56 Micrometer Rear Sight
19 Front Sight Hood	38 Retaining Collars	

Model 1415, 1415 D, 1416, 1416 D, 1515 D and 1516 D Deluxe Bolt-Action Rifle



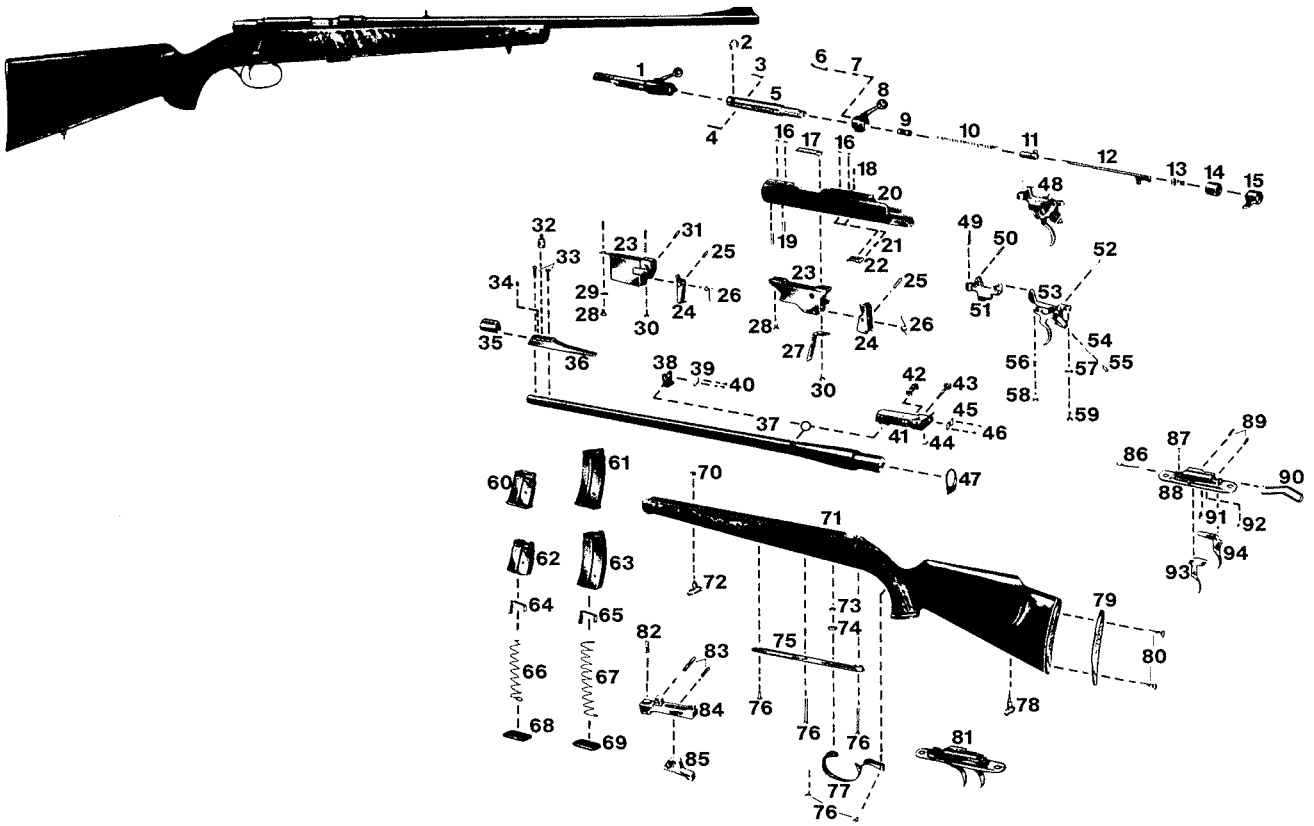
1 Bolt Assembly	31 Trigger Assembly Screw	60 Magazine Retainer Pin
2 Extractor	32 Trigger Assembly Toothed Lock Washer	61 Torsional Spring
3 Cartridge Retainer	33 Trigger Housing	62 Magazine Retainer
4 Spring Clamp	34 Trigger Spring	63 Guide Tongue Nut
5 Bolt Head	35 Cam Lever	64 Guide Tongue
6 Firing Pin	36 Release Plunger	65 Magazine Guide Screw
7 Striker Pin	37 Catch Link	66 Spring Washer
8 Striker Spring	38 Catch Link Pin	67 Swivel Nut
9 Catch Bolt	39 Catch Link Retaining Collar	68 Swivels
10 Catch Bolt Spring	40 Torsional Spring	69 Trigger Guard Screws
11 Bolt with Handle	41 Pivots	70 Trigger Guard
12 Guide Bolt	42 Bolt Pawl	71 Cover Plate
13 Cocking Piece	43 Retaining Collars	72 Square Nut
14 Cocking Piece Pin	44 Spring	73 Stock
15 Front Sight Hood	45 Safety-Lever	74 Buttplate
16 Front Sight Bar Screws	46 Safety-Lever Spring	75 Buttplate Screws
17 Safety Plug	47 Catch Lever	76 Magazine, 10-Shot
18 Front Sight Bead	48 Release Latch	77 Magazine, 5-Shot
19 Front Sight Base	49 Torsional Spring	78 Magazine Housing, 10-Shot
20 Barrel	50 Trigger	79 Magazine Housing, 5-Shot
21 Folding Sight	51 Adjusting Screw	80 Magazine Followers
22 Rear Sight Blade	52 Set-Screw	81 Follower Spring, 10-Shot
23 Rear Sight Blade Screws	53 Adjusting Screw	82 Follower Spring, 5-Shot
24 Ejectors	54 Shoulder Screw	83 Magazine Floor
25 Bolt Guide	55 Torsional Spring	
26 Cylindrical Pins	56 Bolt Release Lever	Parts Not Shown
27 Receiver	57 Magazine Guides	Sight Elevator
28 Cartridge Guide	58 Distance Ring	Sight Elevator Screws
29 Two-Stage Trigger Assembly	59 Magazine Guide Pin	Pointer
30 Hexagon Threaded Bolt		Intermediate Plate
		Rear Sight Blade

Model 1418 D and 1518 D Deluxe Bolt-Action Rifle



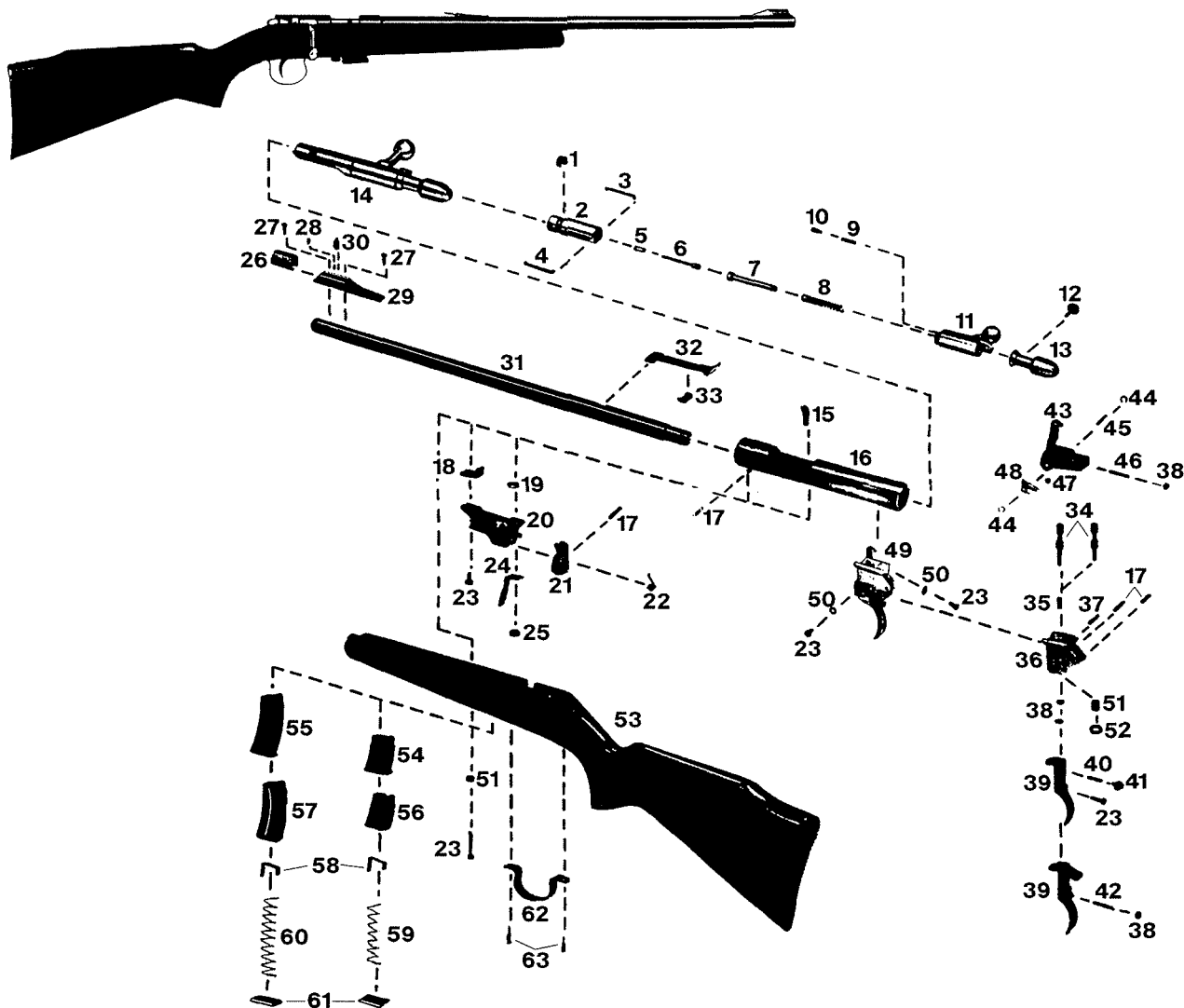
1	Bolt Assembly	35	Screw Nut	69	Parallel Pin
2	Extractor	36	Toothed Lock Washers	70	Trigger Bracket
3	Cartridge Retainer	37	Cheese Head Screws	71	Parallel Pins
4	Spring Clamp	38	Bushing	72	Release Plunger
5	Bolt Head	39	Pan Head Screw	73	Spring Sleeve
6	Firing Pin	40	Cartridge Guide	74	Trigger Bracket Spring
7	Striker Pin	41	Spring Lock Washer	75	Shoulder Screw
8	Striker Spring	42	Cheese Head Screw	76	Roller
9	Catch Bolt	43	Magazine Guide	77	Release Lever
10	Catch Bolt Spring	44	Guide Tongue	78	Parallel Pin
11	Bolt with Handle	45	Screw Nut	79	Countersunk Oval Head Screws
12	Guide Bolt	46	Cheese Head Screw	80	Safety-Lever
13	Cocking Piece	47	Magazine Retainer	81	Bracket
14	Parallel Pin	48	Parallel Pin	82	Retaining Collar
15	Front Sight Hood	49	Torsional Spring	83	Detent Ball
16	Countersunk Head Screws	50	Stock with Partial Fittings	84	Leaf Spring
17	Safety Plug	51	Buttplate	85	Bearing Pin
18	Bead	52	Countersunk Oval Head Wood Screws	86	Double-Set Trigger Assembly
19	Front Sight Base	53	Screw Nut	87	Double-Set Trigger Spring
20	Barrel	54	Front Swivel	88	Trigger Spring
21	Tangent Sight	55	Rear Swivel	89	Cheese Head Screw
22	Sight Elevator	56	Magazine, 10-Shot	90	Set Trigger Housing
23	Pan Head Screws	57	Magazine, 5-Shot, 22 Mag.	91	Adjusting Screw
24	Pointer	58	Magazine, 4-Shot	92	Safety Plug
25	Intermediate Plate	59	Magazine Housing, 10-Shot	93	Parallel Pins
26	Rear Sight Blade	60	Magazine Housing, 5-Shot, 22 Mag.	94	Front Trigger
27	Folding Sight	61	Magazine Follower	95	Rear Trigger
28	Rear Sight Blade	62	Follower Spring, 10-Shot		
29	Pan Head Screws	63	Follower Spring, 5-Shot, 22 Mag.		
30	Ejector	64	Magazine Floor		
31	Bolt Guide	65	Square Nut		
32	Parallel Pin	66	Trigger Guard		
33	Receiver	67	Countersunk Oval Head Screws		
34	Retainer	68	Bearing Piece		
				Parts Not Shown	
					Rear Swivel Stud
					Front Swivel Stud
					Trigger Bracket (Complete)
					Safety (Complete)
					Barrelled Action (Complete)

Model 1422 D and 1522 D Classic Bolt-Action Rifle



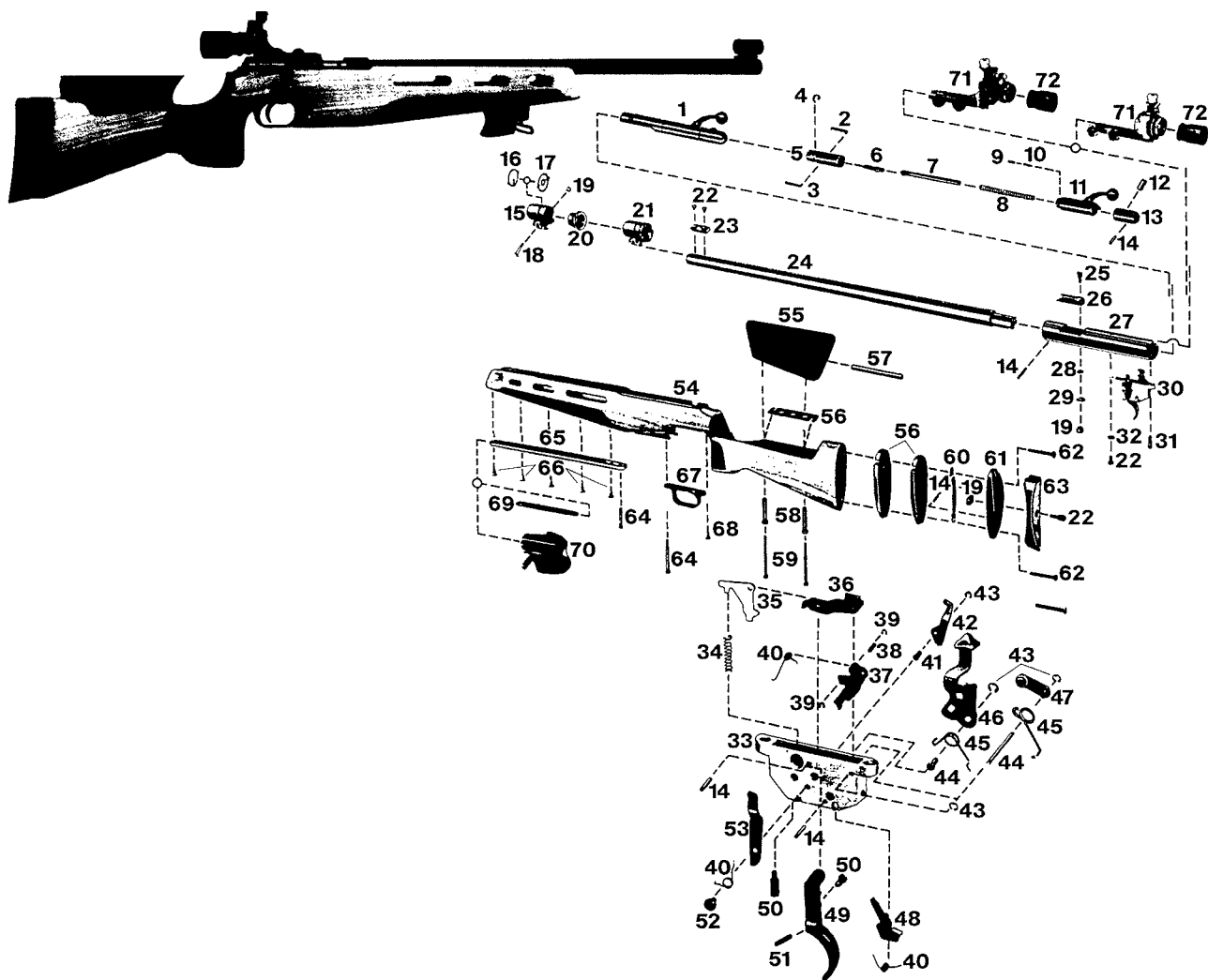
- | | | | | | |
|-----------|------------------------|-----------|------------------------------|-----------|--------------------------------------|
| 1 | Bolt Assembly | 33 | Countersunk Head Screws | 65 | Magazine Follower—10-Shot |
| 2 | Spring Clamp | 34 | Safety Plug | 66 | Follower Spring—4-, 5-Shot |
| 3 | Extractor | 35 | Front Sight Hood | 67 | Follower Spring—10-Shot |
| 4 | Cartridge Retainer | 36 | Front Sight Base | 68 | Magazine Floor—4-, 5-Shot |
| 5 | Bolt Body | 37 | Barrel | 69 | Magazine Floor—10-Shot |
| 6 | Catch Bolt | 38 | Folding Sight | 70 | Screw Nut |
| 7 | Catch Bolt Spring | 39 | Rear Sight Blade | 71 | Stock with Partial Fittings |
| 8 | Bolt Handle | 40 | Pan Head Screws | 72 | Front Swivel |
| 9 | Spring Support, Front | 41 | Tangent Sight | 73 | Hexagon Nut |
| 10 | Firing Pin Spring | 42 | Sight Elevator | 74 | Toothed Lock Washer |
| 11 | Spring Support, Rear | 43 | Adjusting Screw | 75 | Floorplate |
| 12 | Firing Pin | 44 | Sleeve | 76 | Raised Countersunk Head Screws |
| 13 | Signal Pin with Spring | 45 | Rear Sight Blade | 77 | Trigger Guard |
| 14 | Cover Sleeve | 46 | Pan Head Screws | 78 | Rear Swivel |
| 15 | Safety | 47 | Abutment | 79 | Buttplate |
| 16 | Dummy Screws | 48 | Trigger Assembly | 80 | Countersunk Oval Head
Wood Screws |
| 17 | Bolt Guide | 49 | Compression Spring | 81 | Double-Set Trigger Assembly |
| 18 | Grooved Pin | 50 | Parallel Pin | 82 | Compression Spring |
| 19 | Parallel Pins | 51 | Trigger Bracket | 83 | Parallel Pins |
| 20 | Receiver | 52 | Round Head Rivet | 84 | Trigger Bracket |
| 21 | Compression Spring | 53 | Trigger Support with Trigger | 85 | Release Lever |
| 22 | Bolt Stop | 54 | Compression Spring | 86 | Trigger Spring |
| 23 | Magazine Guide | 55 | Adjusting Screw | 87 | Cheese Head Screw |
| 24 | Magazine Retainer | 56 | Set Screw | 88 | Set-Trigger Housing |
| 25 | Parallel Pin | 57 | Toothed Lock Washer | 89 | Parallel Pins |
| 26 | Torsional Spring | 58 | Hexagon Nut | 90 | Double-Set Trigger Spring |
| 27 | Guide Tongue | 59 | Cheese Head Screw | 91 | Adjusting Screw |
| 28 | Cheese Head Screw | 60 | Magazine—4-, 5-Shot | 92 | Safety Plug |
| 29 | Toothed Lock Washer | 61 | Magazine—10-Shot | 93 | Front Trigger |
| 30 | Shoulder Screw | 62 | Magazine Housing—4-, 5-Shot | 94 | Rear Trigger |
| 31 | Parallel Pin | 63 | Magazine Housing—10-Shot | | |
| 32 | Bead | 64 | Magazine Follower—4-, 5-Shot | | |

Model 1449, 1449D, 1450 and 1450D Bolt-Action Rifle



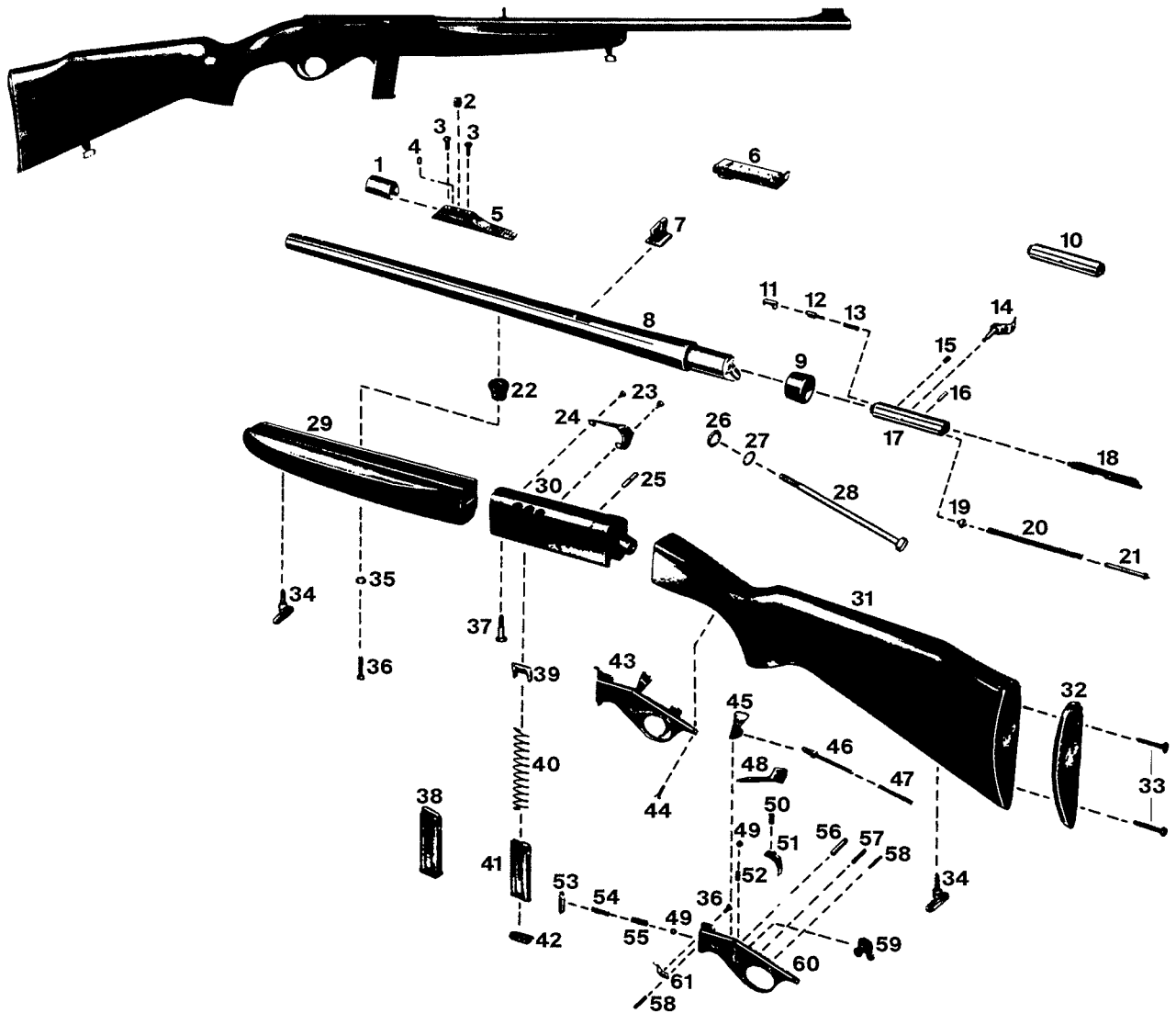
1	Spring Clamp	23	Pan Head Screws	45	Pin
2	Bolt Head	24	Guide Tongue	46	Set Screw
3	Extractor	25	Ejector Nut	47	Detent Ball
4	Cartridge Retainer	26	Front Sight Hood	48	Leaf Spring
5	Firing Pin Spring	27	Countersunk Flat Head Screws	49	Trigger Assembly
6	Firing Pin	28	Clamping Piece	50	Toothed Lock Washers (2)
7	Striker Pin	29	Front Sight Base	51	Threaded Sleeves
8	Striker Spring	30	Bead Front Sight	52	Flat Nut
9	Catch Bolt Spring	31	Barrel	53	Stock with Buttplate
10	Catch Bolt	32	Sight Leaf	54	5-Shot Magazine Assembly
11	Bolt with Handle	33	Sight Adjustor	55	10-Shot Magazine Assembly
12	Guide Bolt	34	Release Plungers	56	5-Shot Magazine Tube
13	Cocking Piece	35	Release Plunger Spring	57	10-Shot Magazine Tube
14	Bolt Assembly	36	Trigger Housing	58	Magazine Follower
15	Ejector Screw	37	Clamping Sleeve	59	5-Shot Magazine Follower Spring
16	Receiver	38	Hexagon Nuts	60	10-Shot Magazine Follower Spring
17	Cylindrical Pins	39	Triggers	61	Magazine Floor
18	Intermediate Piece	40	Trigger Spring	62	Trigger Guard
19	Distance Ring	41	Spring Bolt	63	Countersunk Oval Head Wood Screws
20	Magazine Guide	42	Set Screw		
21	Magazine Catch	43	Safety-Lever		
22	Torsional Spring	44	Retaining Collar		
				Parts Not Shown	
				Buttplate	

Model 1803, 1803 D, 1803 L and 1803 LD Bolt-Action Rifle



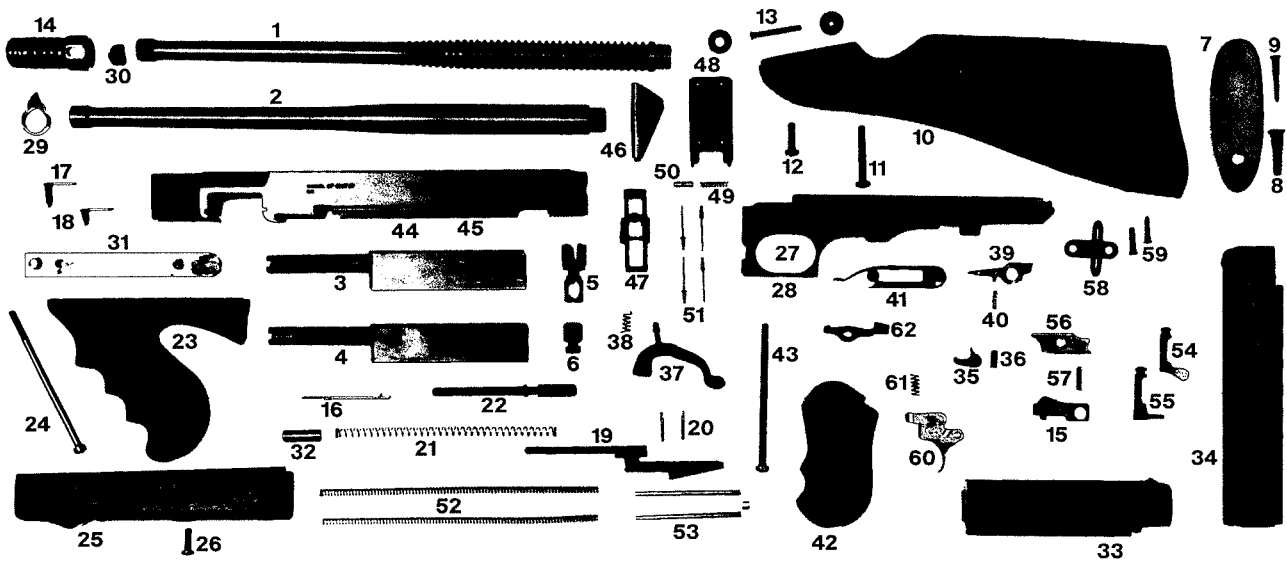
- | | | |
|--------------------------|--------------------------|-----------------------------------|
| 1 Bolt Assembly | 25 Ejector | 49 Trigger |
| 2 Extractor | 26 Loading Platform | 50 Adjusting Screw |
| 3 Cartridge Retainer | 27 Receiver | 51 Set-Screw |
| 4 Spring Clamp | 28 Distance Ring | 52 Shoulder Screw |
| 5 Bolt Head | 29 Spring Washer | 53 Bolt Release Lever |
| 6 Firing Pin | 30 Trigger Assembly | 54 Stock with Partial Fittings |
| 7 Striker Pin | 31 Hexagon Threaded Bolt | 55 Cheekpiece |
| 8 Striker Spring | 32 Toothed Lock Washer | 56 Spacers |
| 9 Catch Bolt | 33 Trigger Housing | 57 Bolt |
| 10 Catch Bolt Spring | 34 Trigger Spring | 58 Bushings |
| 11 Bolt with Handle | 35 Cam Lever | 59 Socket-Head Screws |
| 12 Guide Bolt | 36 Release Plunger | 60 Cover Plate |
| 13 Cocking Piece | 37 Catch Link | 61 Guide Plate |
| 14 Cylindrical Pins | 38 Pin | 62 Raised Cheese Head Screws |
| 15 Front Sight Hood | 39 Retaining Collars | 63 Buttplate |
| 16 Post Insert | 40 Torsional Springs | 64 Screws |
| 17 Aperture Insert | 41 Pivot | 65 Front Swivel Rail |
| 18 Hook Screw | 42 Bolt Pawl | 66 Countersunk Head Wood Screws |
| 19 Nuts | 43 Retaining Collars | 67 Trigger Guard |
| 20 Clamp Ring | 44 Pivots | 68 Raised Countersunk Wood Screw |
| 21 Front Sight, Complete | 45 Springs | 69 Swivel Rail Filler |
| 22 Pan Head Screws | 46 Safety-Lever | 70 Handstop Sling Swivel Complete |
| 23 Base | 47 Catch-Lever | 71 Peep Sight, Complete |
| 24 Barrel | 48 Release Latch | 72 Rubber Eyeshade |

Model 525 Autoloading Rifle



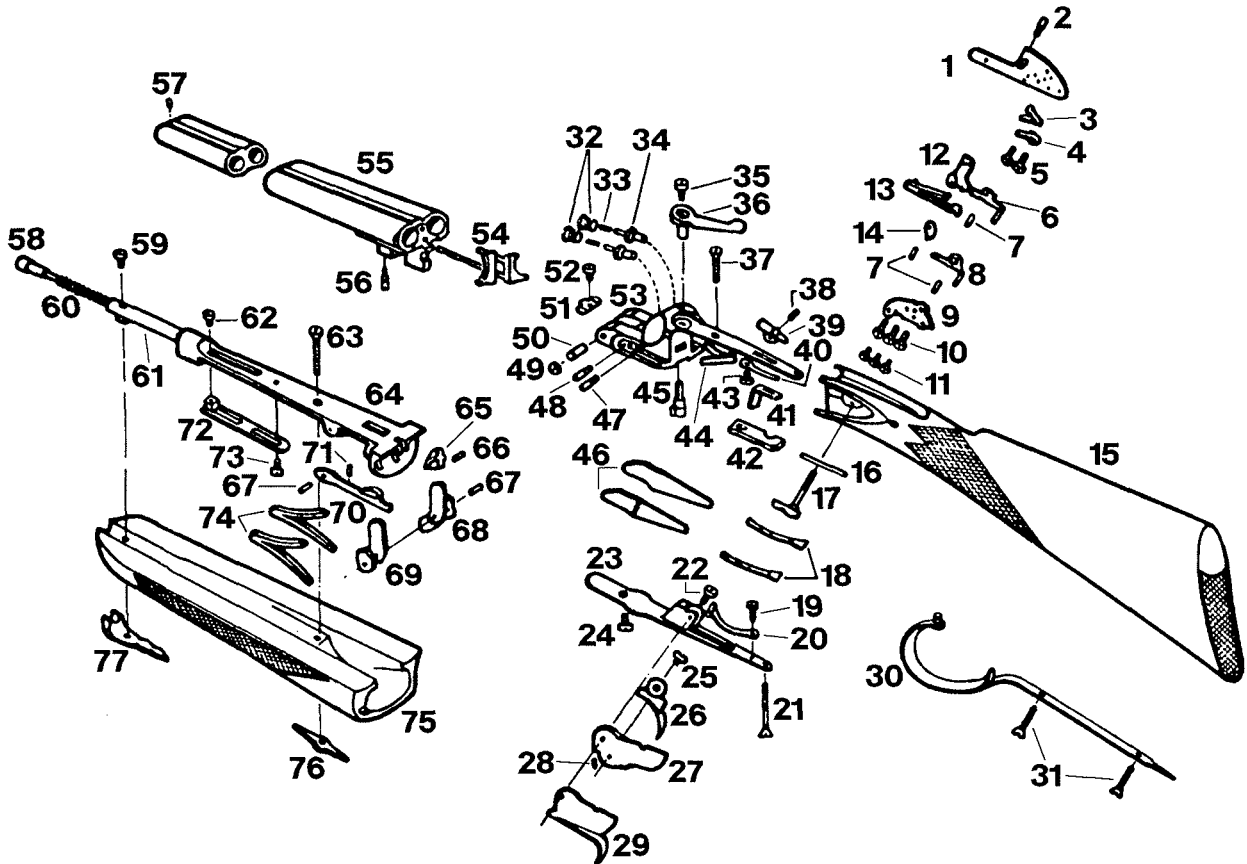
1	Front Sight Hood	22	Barrel Stud	43	Trigger Guard with Trigger Assembly
2	Front Sight Bead	23	Pan Head Screws	44	Raised Countersunk Head Screw
3	Front Sight Base Screws	24	Deflector	45	Hammer
4	Safety Plug	25	Trigger Guard Retaining Pin	46	Hammer Spring Bolt
5	Front Sight Base	26	Washer	47	Hammer Spring
6	Tangent Rear Sight	27	Lock Washer	48	Catch Link
7	Folding Leaf Rear Sight	28	Stock Assembly Screw	49	Steel Balls
8	Barrel	29	Forend	50	Trigger Spring
9	Intermediate Ring	30	Receiver	51	Trigger
10	Bolt Assembly, Complete	31	Stock with Partial Fittings	52	Safety Spring
11	Extractor	32	Buttplate	53	Magazine Retainer
12	Spring Bolt	33	Buttplate Screws	54	Magazine Retaining Spring, Large
13	Extractor Spring	34	Sling Swivels	55	Magazine Retaining Spring, Small
14	Bolt Handle	35	Bushing	56	Hammer Pin
15	Threaded Pin	36	Cheese Head Screws	57	Catch Link Pin
16	Firing Pin Retaining Pin	37	Barrel Assembly Screw	58	Cylindrical Pins
17	Bolt Body	38	Magazine Assembly, Complete	59	Safety
18	Firing Pin	39	Magazine Follower	60	Trigger Guard
19	Catch Bolt	40	Magazine Follower Spring	61	Ejector
20	Recoil Spring	41	Magazine Housing		
21	Spring Bolt	42	Magazine Bottom		

Model 1927 A-1 and M1 Autoloading Rifle



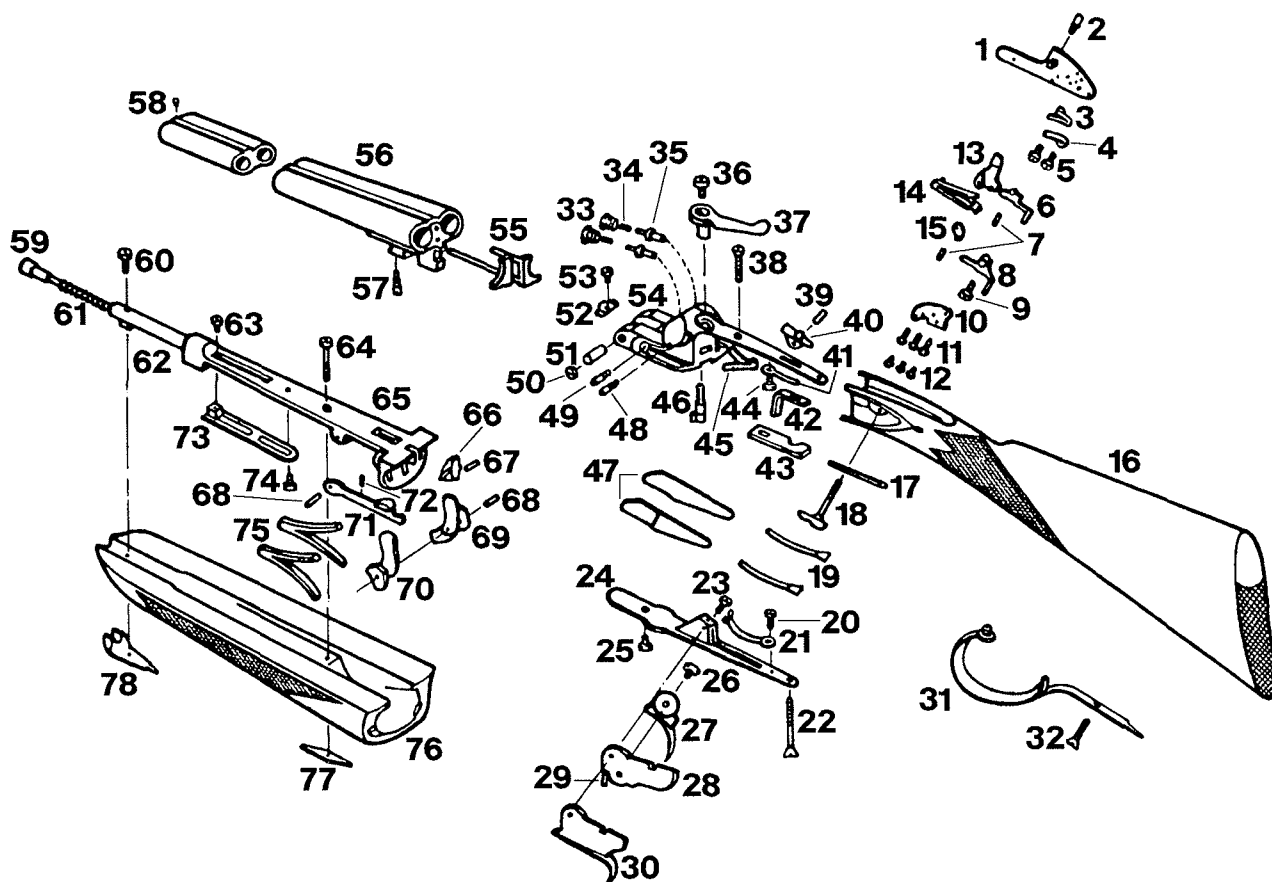
1	Barrel, Finned and Threaded	34	Magazine, 30-Round
2	Barrel, Smooth	35	Lifter
3	Bolt	36	Lifter Spring
4	Bolt (M1)	37	Magazine Catch
5	Bolt Handle	38	Magazine Catch Spring
6	Bolt Handle (M1)	39	Pawl
7	Buttplate	40	Pawl Spring
8	Buttplate Screw, Large	41	Pivot Plate
9	Buttplate Screw, Small	42	Rear Grip
10	Buttstock	43	Rear Grip Screw
11	Buttstock Retaining Screw, Large	44	Receiver
12	Buttstock Retaining Screw, Small	45	Receiver (M1)
13	Buttstock Reinforcing Nut and Bolt	46	Rear Sight (M1)
14	Compensator	47	Rear Sight Leaf Complete
15	Disconnecter	48	Rear Sight Base
16	Extractor	49	Rear Sight Plunger Spring
17	Ejector	50	Rear Sight Plunger
18	Ejector (M1)	51	Rear Sight Rivets
19	Firing Pin	52	Recoil Spring
20	Firing Pin Retaining Pins	53	Recoil Spring Pilot and Plate
21	Firing Pin Spring	54	Safety-Lever
22	Firing Pin Pilot	55	Safety-Lever (M1)
23	Foregrip, Vertical	56	Sear Block
24	Foregrip, Vertical Screw	57	Sear Block Spring
25	Foregrip, Horizontal	58	Sling Swivel
26	Foregrip, Horizontal Screw	59	Sling Swivel Screws
27	Frame	60	Trigger
28	Frame (M1)	61	Trigger Spring
29	Front Sight	62	Trip
30	Front Sight for Compensator	Parts Not Shown	
31	Grip Mount		Firing Pin Retracting Pin
32	Hammer		Frame Latch
33	Magazine, 20-Round		Frame Latch Spring

Model 1 Side-by-Side Shotgun



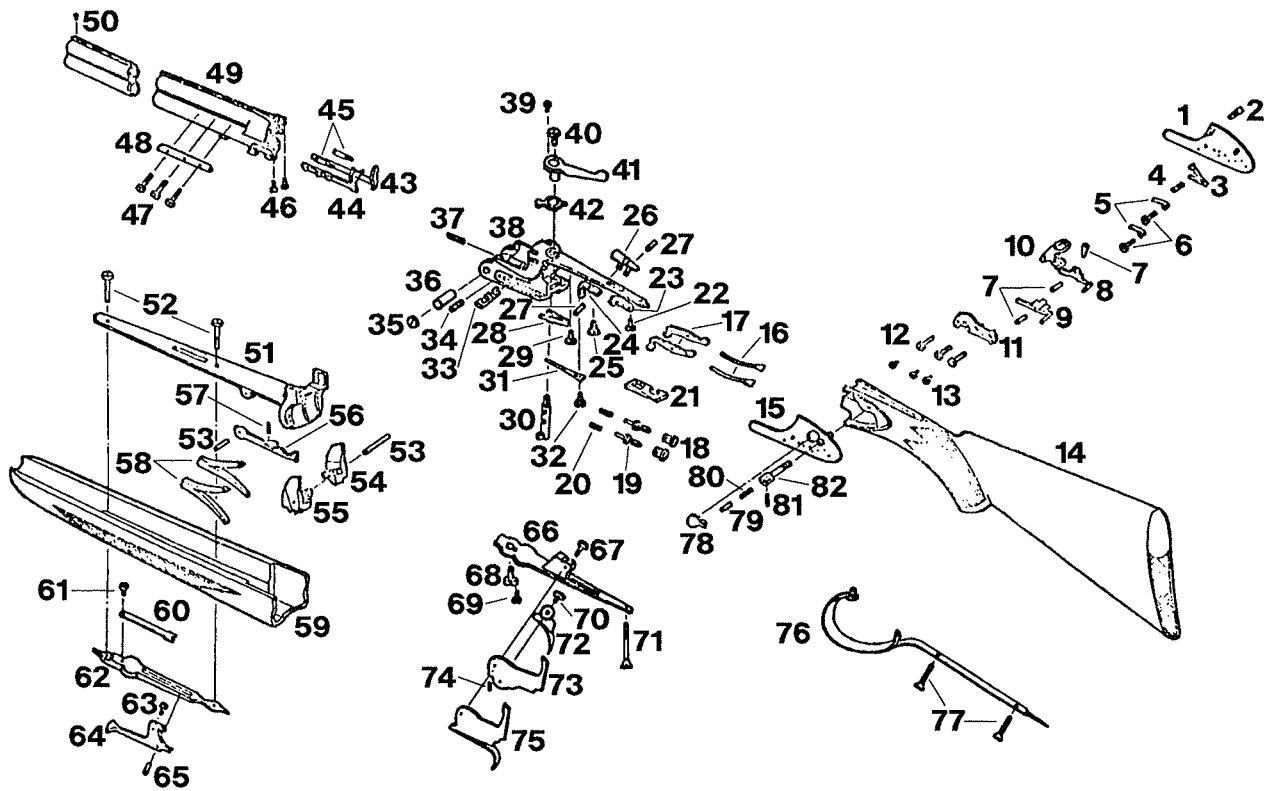
1	Sideplate	27	Right Trigger Lever	53	Receiver
2	Sideplate Screw	28	Trigger Lever Pin	54	Extractors
3	Sear Spring	29	Trigger, Left	55	Barrels
4	Sear Lever	30	Trigger Guard	56	Extractor Screw
5	Sear Spring Screws	31	Trigger Guard Screws	57	Front Sight
6	Sear, Right	32	Firing Pin Bushings	58	Forend Release Thumb-Piece
7	Sear Pins	33	Firing Pin Springs	59	Forend Release Tube Screw
8	Sear, Left	34	Firing Pins	60	Forend Release Thumb-Piece
9	Bridle	35	Top Lever Screw		Spring
10	Bridle Screws, Long	36	Top Lever	61	Forend Release Tube
11	Bridle Screws, Short	37	Top Tang Screw	62	Forend Iron Screw, Front
12	Hammer	38	Safety Thumb-Piece Screw	63	Forend Iron Screw, Rear
13	Hammer Spring	39	Safety Thumb-Piece	64	Forend Iron
14	Hammer Spring Stirrup	40	Safety Spring	65	Ejector
15	Buttstock	41	Safety	66	Ejector Pin
16	Safety Rod	42	Locking Block	67	Ejector Hammer Pins
17	Sideplate Lever	43	Safety Spring Screw	68	Ejector Hammer, Right
18	Locking Lever Springs	44	Barrel Latch Lever Spring	69	Ejector Hammer, Left
19	Trigger Spring Screw	45	Locking Block Actuator	70	Forend Release
20	Trigger Spring	46	Cocking Levers	71	Forend Release Spring
21	Trigger Plate Screw, Rear	47	Frame Pin	72	Forend Plate
22	Trigger Screw, Right	48	Cocking Lever Pivot	73	Forend Plate Screw
23	Trigger Plate	49	Pivot Pin Retainer	74	Ejector Hammer Springs
24	Trigger Plate Screw, Front	50	Pivot Pin	75	Forend
25	Trigger Screw, Left	51	Receiver Insert Plate	76	Forend Escutcheon, Rear
26	Trigger, Right	52	Insert Plate Screw	77	Forend Escutcheon, Front

Model 2 Side-by-Side Shotgun



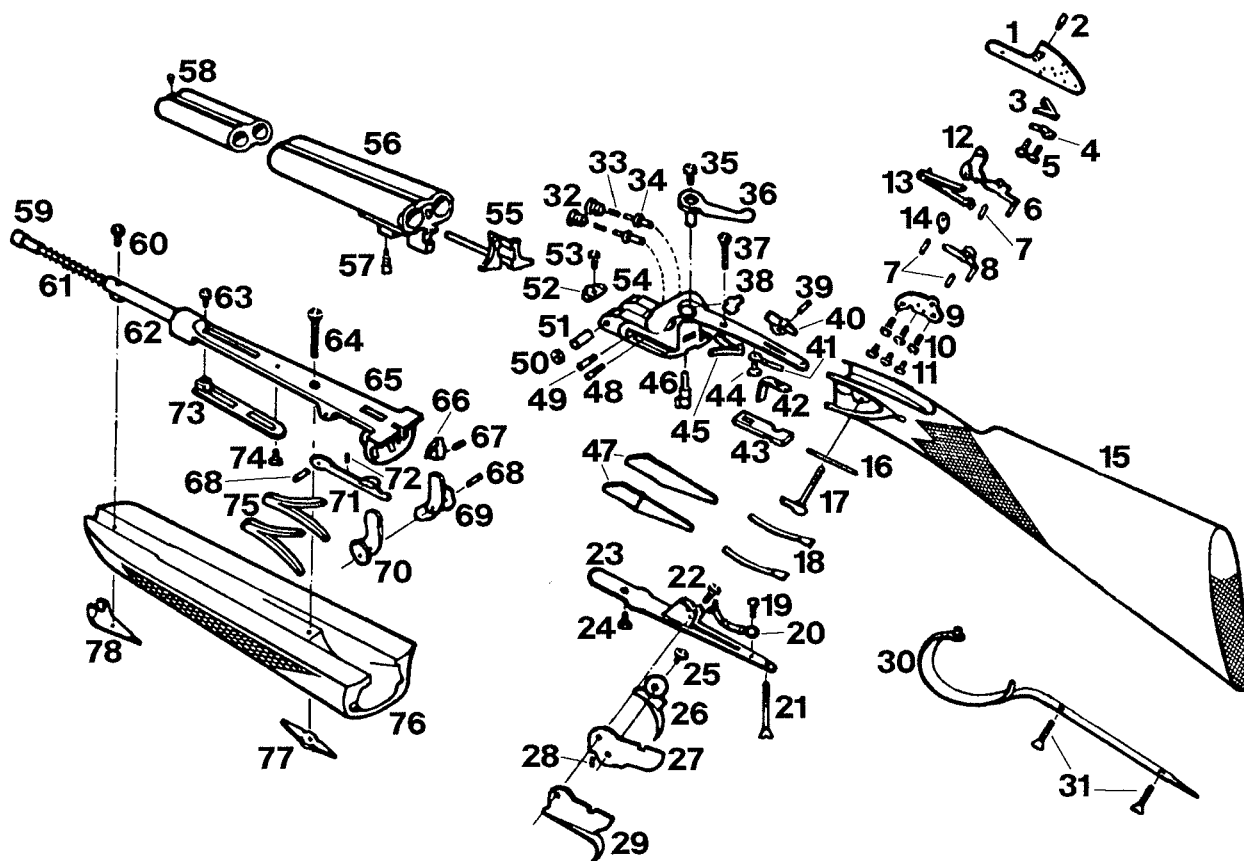
1	Sideplate	28	Right Trigger Lever	55	Extractors
2	Sideplate Screw	29	Trigger Lever Pin	56	Barrels
3	Sear Spring	30	Trigger, Left	57	Extractor Screw
4	Sear Lever	31	Trigger Guard	58	Front Sight
5	Sear Spring Screws	32	Trigger Guard Screw	59	Forend Release Thumb-Piece
6	Sear, Right	33	Firing Pin Bushings	60	Forend Release Tube Screw
7	Sear Pins	34	Firing Pin Springs	61	Forend Release Thumb-Piece Spring
8	Sear, Left	35	Firing Pins	62	Forend Release Tube
9	Sear Screw	36	Top Lever Screw	63	Forend Iron Screw, Front
10	Bridle	37	Top Lever	64	Forend Iron Screw, Rear
11	Bridle Screws, Long	38	Top Tang Screw	65	Forend Iron
12	Bridle Screws, Short	39	Safety Thumb-Piece Screw	66	Ejector
13	Hammer	40	Safety Thumb-Piece	67	Ejector Pin
14	Hammer Spring	41	Safety Spring	68	Ejector Hammer Pins
15	Hammer Spring Stirrup	42	Safety	69	Ejector Hammer, Right
16	Buttstock	43	Locking Block	70	Ejector Hammer, Left
17	Safety Rod	44	Safety Spring Screw	71	Forend Release
18	Sideplate Lever	45	Barrel Latch Lever Spring	72	Forend Release Spring
19	Locking Lever Springs	46	Locking Block Actuator	73	Forend Plate
20	Trigger Spring Screw	47	Cocking Levers	74	Forend Plate Screw
21	Trigger Spring	48	Frame Pin	75	Ejector Hammer Springs
22	Trigger Plate Screw, Rear	49	Cocking Lever Pivot	76	Forend
23	Trigger Screw, Right	50	Pivot Pin Retainer	77	Forend Escutcheon, Rear
24	Trigger Plate	51	Pivot Pin	78	Forend Escutcheon, Front
25	Trigger Plate Screw, Front	52	Receiver Insert Plate		
26	Trigger Screw, Left	53	Insert Plate Screw		
27	Trigger, Right	54	Receiver		

Model 37 Over/Under Shotgun



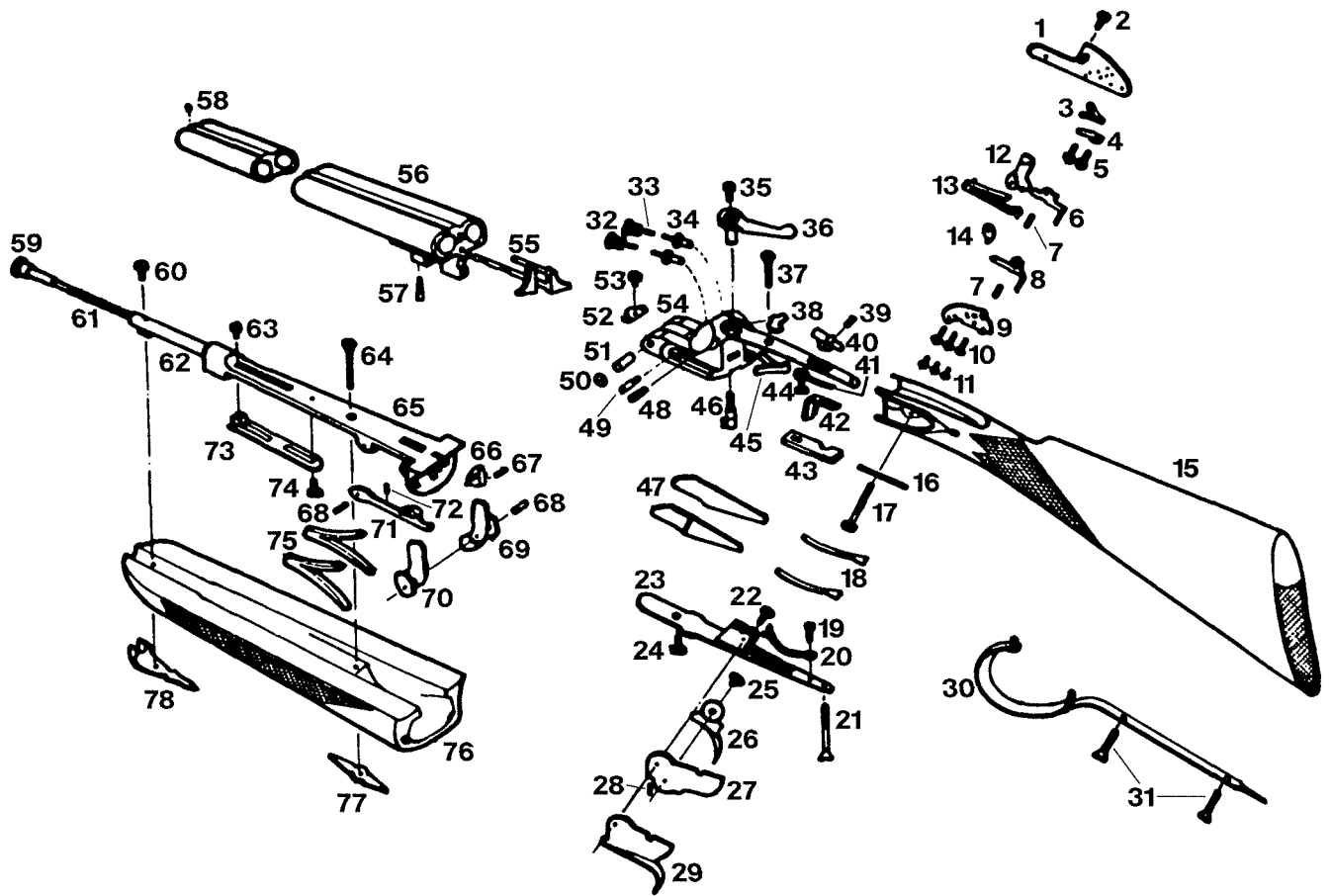
1	Sideplate, Right	29	Safety Rod Bracket Screw	57	Forend Release Spring
2	Sideplate Screw	30	Locking Block Actuator	58	Ejector Hammer Springs
3	Sear Spring	31	Safety Rod	59	Forend
4	Sear Spring Pin	32	Safety Rod Retaining Screw	60	Forend Latch Spring
5	Sear Lever Trips	33	Barrel Lock Cross Piece	61	Latch Spring Screw
6	Sear Spring Screws	34	Cocking Lever Pivot	62	Forend Latch Housing
7	Sear Pins	35	Pivot Pin Retainer	63	Latch Housing Screw
8	Sear, Upper	36	Pivot Pin	64	Forend Latch
9	Sear, Lower	37	Top Lever Trip Pin	65	Latch Pivot Pin
10	Hammer	38	Receiver	66	Trigger Plate
11	Bridle	39	Top Lever Lock Screw	67	Trigger Screw, Upper
12	Bridle Screws, Long	40	Top Lever Screw	68	Trigger Plate Screw, Front
13	Bridle Screws, Short	41	Top Lever	69	Trigger Plate Lock Screw
14	Buttstock	42	Top Lever Bushing	70	Trigger Screw, Lower
15	Sideplate, Left	43	Ejector, Upper	71	Trigger Plate Screw, Rear
16	Cocking Lever Springs	44	Ejector, Lower	72	Trigger, Right
17	Cocking Levers	45	Ejector Retainer	73	Right Trigger Lever
18	Firing Pin Bushings	46	Ejector Screws	74	Lever Pin
19	Firing Pins	47	Rib Screws	75	Left Trigger
20	Firing Pin Spring	48	Spacer Rib	76	Trigger Guard
21	Locking Plate	49	Barrels	77	Trigger Guard Screws
22	Safety Spring Screw	50	Front Sight	78	Sideplate Lever
23	Safety Spring	51	Forend Iron	79	Lever Plunger
24	Safety	52	Forend Iron Screws	80	Plunger Spring
25	Safety Screw	53	Ejector Hammer Pin	81	Lever Shaft Pin
26	Safety Thumb-Piece	54	Ejector Hammer, Upper	82	Lever Shaft
27	Safety Thumb-Piece Pins	55	Ejector Hammer, Lower		
28	Safety Rod Bracket	56	Forend Release		

Model 53 Side-by-Side Shotgun



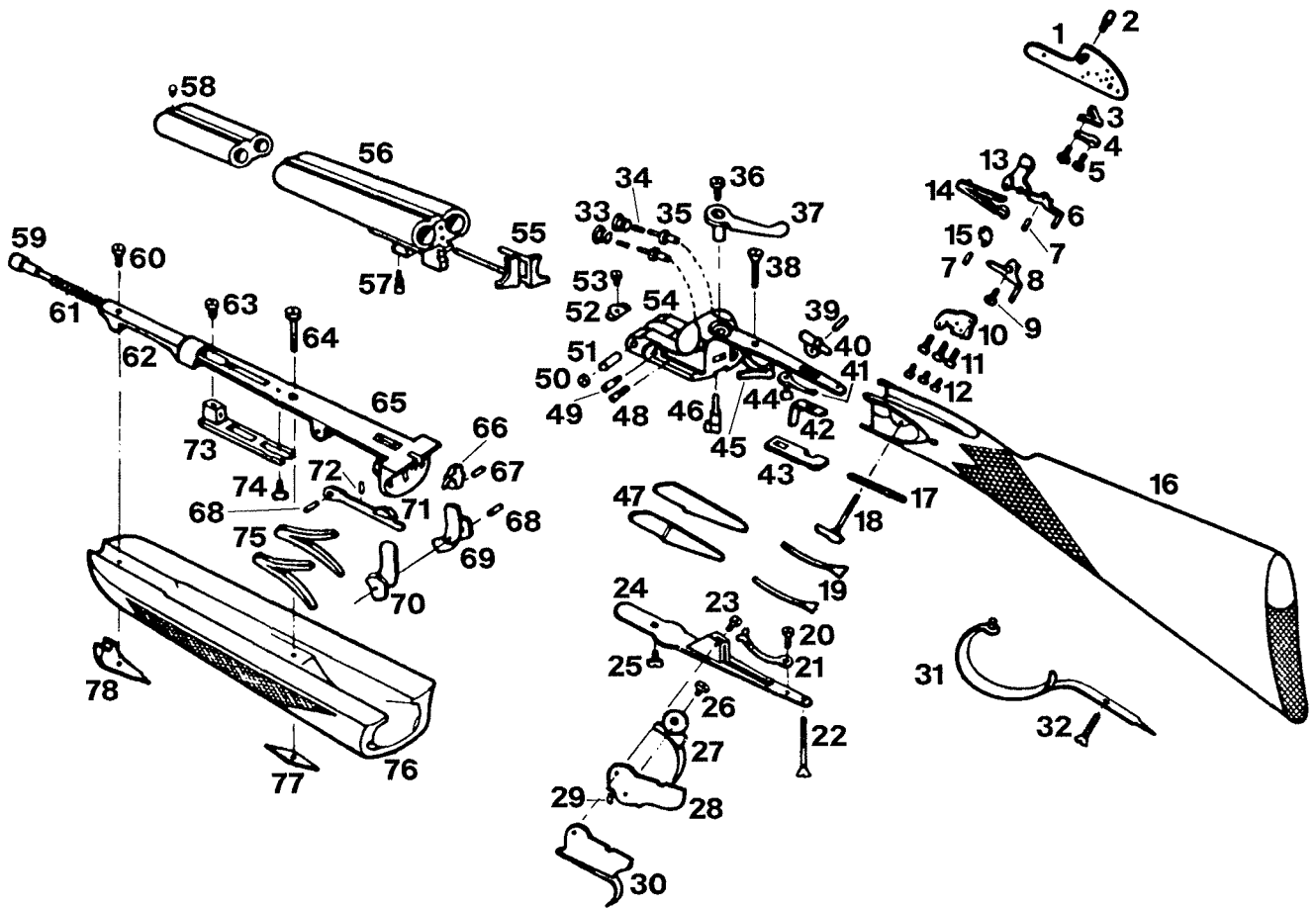
1	Sideplate	28	Trigger Lever Pin	55	Extractors
2	Sideplate Screw	29	Trigger, Left	56	Barrels
3	Sear Spring	30	Trigger Guard	57	Extractor Screw
4	Sear Lever	31	Trigger Guard Screws	58	Front Sight
5	Sear Spring Screws	32	Firing Pin Bushings	59	Forend Release Thumb-Piece
6	Sear, Right	33	Firing Pin Springs	60	Forend Release Tube Screw
7	Sear Pins	34	Firing Pins	61	Forend Release Thumb-Piece
8	Sear, Left	35	Top Lever Screw		Spring
9	Bridle	36	Top Lever	62	Forend Release Tube
10	Bridle Screws, Long	37	Top Tang Screw	63	Forend Iron Screw, Front
11	Bridle Screws, Short	38	Top Lever Bushing	64	Forend Iron Screw, Rear
12	Hammer	39	Safety Thumb-Piece Screw	65	Forend Iron
13	Hammer Spring	40	Safety Thumb-Piece	66	Ejector
14	Hammer Spring Stirrup	41	Safety Spring	67	Ejector Pin
15	Buttstock	42	Safety	68	Ejector Hammer Pins
16	Safety Rod	43	Locking Block	69	Ejector Hammers, Right
17	Sideplate Lever	44	Safety Spring Screw	70	Ejector Hammer, Left
18	Cocking Lever Springs	45	Barrel Latch Lever Spring	71	Forend Release
19	Trigger Spring Screw	46	Locking Block Actuator	72	Forend Release Spring
20	Trigger Spring	47	Cocking Levers	73	Forend Plate
21	Trigger Plate Screw, Rear	48	Frame Pin	74	Forend Plate Screw
22	Trigger Screw, Right	49	Cocking Lever Pivot	75	Ejector Hammer Springs
23	Trigger Plate	50	Pivot Pin Retainer	76	Forend Wood
24	Trigger Plate Screw, Front	51	Pivot Pin	77	Forend Escutcheon, Rear
25	Trigger Screw, Left	52	Receiver Insert Plate	78	Forend Escutcheon, Front
26	Trigger, Right	53	Insert Plate Screw		
27	Right Trigger Lever	54	Receiver		

Model 56 Side-by-Side Shotgun



1	Sideplate	28	Trigger Lever Pin	55	Extractors
2	Sideplate Screw	29	Trigger, Left	56	Barrels
3	Sear Spring	30	Trigger Guard	57	Extractor Screw
4	Sear Lever	31	Trigger Guard Screw	58	Front Sight
5	Sear Spring Screws	32	Firing Pin Bushings	59	Forend Release Thumb-Piece
6	Sear, Right	33	Firing Pin Springs	60	Forend Release Tube Screw
7	Sear Pins	34	Firing Pins	61	Forend Release Thumb-Piece
8	Sear, Left	35	Top Lever Screw		Spring
9	Bridle	36	Top Lever	62	Forend Release Tube
10	Bridle Screws, Long	37	Top Tang Screw	63	Forend Iron Screw, Front
11	Bridle Screws, Short	38	Top Lever Bushing	64	Forend Iron Screw, Rear
12	Hammer	39	Safety Thumb-Piece Screw	65	Forend Iron
13	Hammer Spring	40	Safety Thumb-Piece	66	Ejector
14	Hammer Spring Stirrup	41	Safety Spring	67	Ejector Pin
15	Buttstock	42	Safety	68	Ejector Hammer Pins
16	Safety Rod	43	Locking Block	69	Ejector Hammer, Right
17	Sideplate Lever	44	Safety Spring Screw	70	Ejector Hammer, Left
18	Cocking Lever Springs	45	Barrel Latch Lever Spring	71	Forend Release
19	Trigger Spring Screw	46	Locking Block Actuator	72	Forend Release Spring
20	Trigger Spring	47	Cocking Levers	73	Forend Plate
21	Trigger Plate Screw, Rear	48	Frame Pin	74	Forend Plate Screw
22	Trigger Screw, Right	49	Cocking Lever Pivot	75	Ejector Hammer Springs
23	Trigger Plate	50	Pivot Pin Retainer	76	Forend Wood
24	Trigger Plate Screw, Front	51	Pivot Pin	77	Forend Escutcheon, Rear
25	Trigger Screw, Left	52	Receiver Insert Plate	78	Forend Escutcheon, Front
26	Trigger, Right	53	Insert Plate Screw		
27	Right Trigger Lever	54	Receiver		

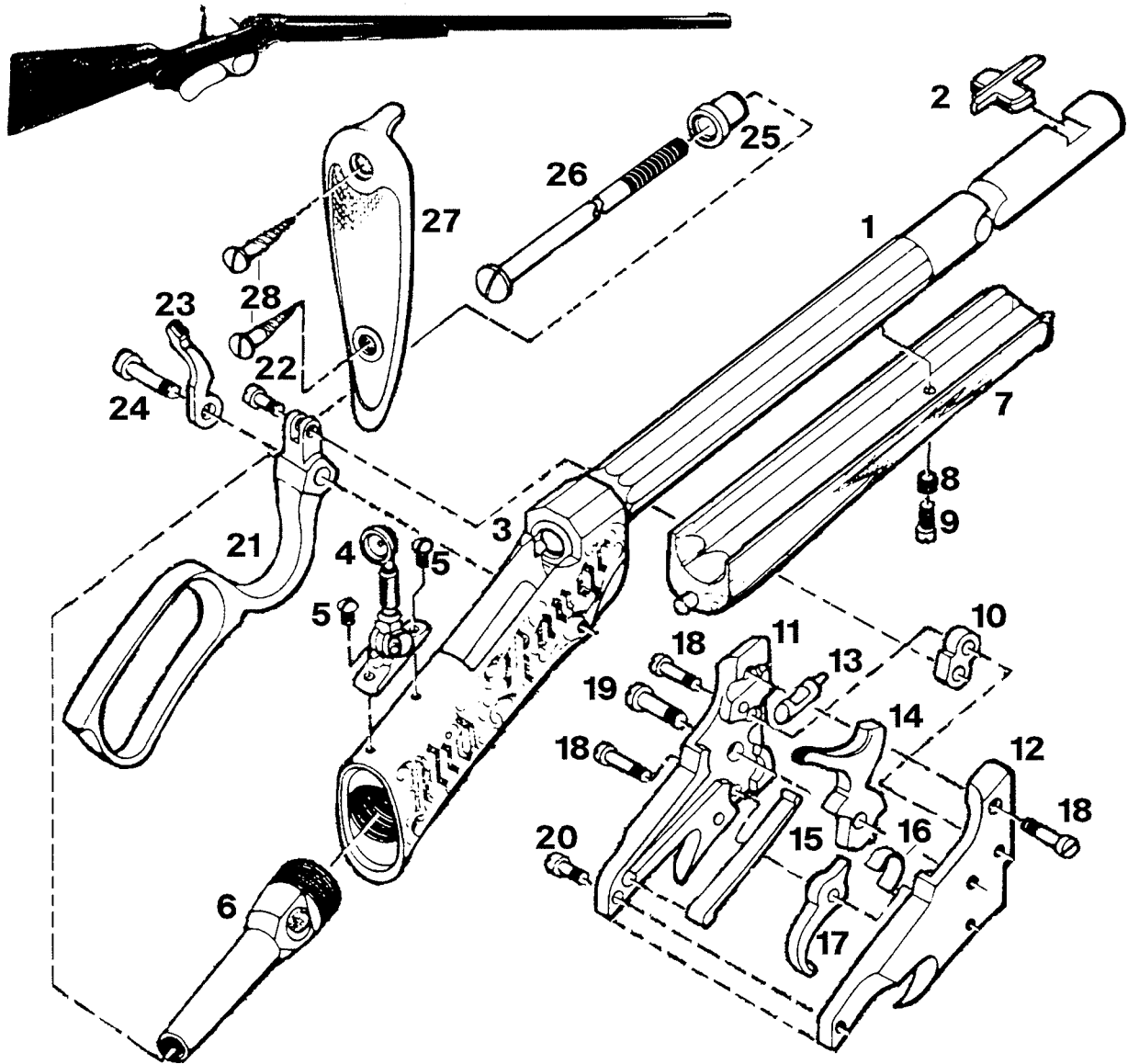
Model XXV Side-by-Side Shotgun



1	Sideplate	27	Trigger, Right	53	Insert Plate Screw
2	Sideplate Screw	28	Right Trigger Lever	54	Receiver
3	Sear Spring	29	Trigger Lever Pin	55	Extractors
4	Sear Lever	30	Trigger, Left	56	Barrels
5	Sear Spring Screws	31	Trigger Guard	57	Extractor Screw
6	Sear, Right	32	Trigger Guard Screw	58	Front Sight
7	Sear Pins	33	Firing Pin Bushings	59	Forend Release Thumb-Piece
8	Sear, Left	34	Firing Pin Springs	60	Forend Release Tube Screw
9	Sear Screw	35	Firing Pins	61	Forend Release Thumb-Piece Spring
10	Bridle	36	Top Lever Screw	62	Forend Release Tube
11	Bridle Screws, Long	37	Top Lever	63	Forend Iron Screw, Front
12	Bridle Screws, Short	38	Top Tang Screw	64	Forend Iron Screw, Rear
13	Hammer	39	Safety Thumb-Piece Screw	65	Forend Iron
14	Hammer Spring	40	Safety Thumb-Piece	66	Ejector
15	Hammer Spring Stirrup	41	Safety Spring	67	Ejector Pin
16	Buttstock	42	Safety	68	Ejector Hammer Pins
17	Safety Rod	43	Locking Block	69	Ejector Hammer, Right
18	Sideplate Lever	44	Safety Spring Screw	70	Ejector Hammer, Left
19	Cocking Lever Springs	45	Barrel Latch Lever Spring	71	Forend Release
20	Trigger Spring Screw	46	Locking Block Actuator	72	Forend Release Spring
21	Trigger Spring	47	Cocking Levers	73	Forend Plate
22	Trigger Plate Screw, Rear	48	Frame Pin	74	Forend Plate Screw
23	Trigger Screw, Right	49	Cocking Lever Pivot	75	Ejector Hammer Springs
24	Trigger Plate	50	Pivot Pin Retainer	76	Forend Wood
25	Trigger Plate Screw, Front	51	Pivot Pin	77	Forend Escutcheon, Rear
26	Trigger Screw, Left	52	Receiver Insert Plate	78	Forend Escutcheon, Front

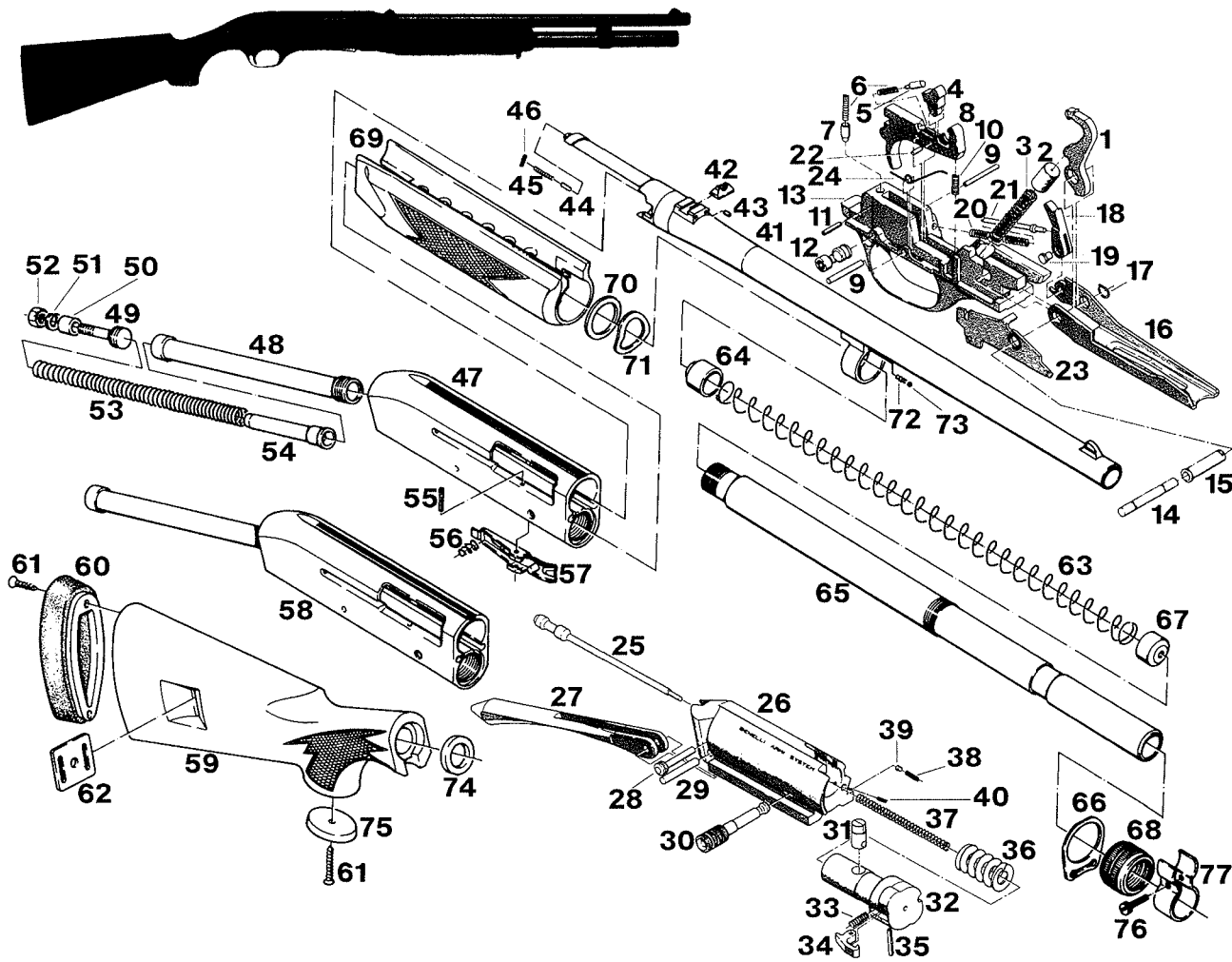
Single-Shot Rifle

Courtesy of Thomas E. Wessel



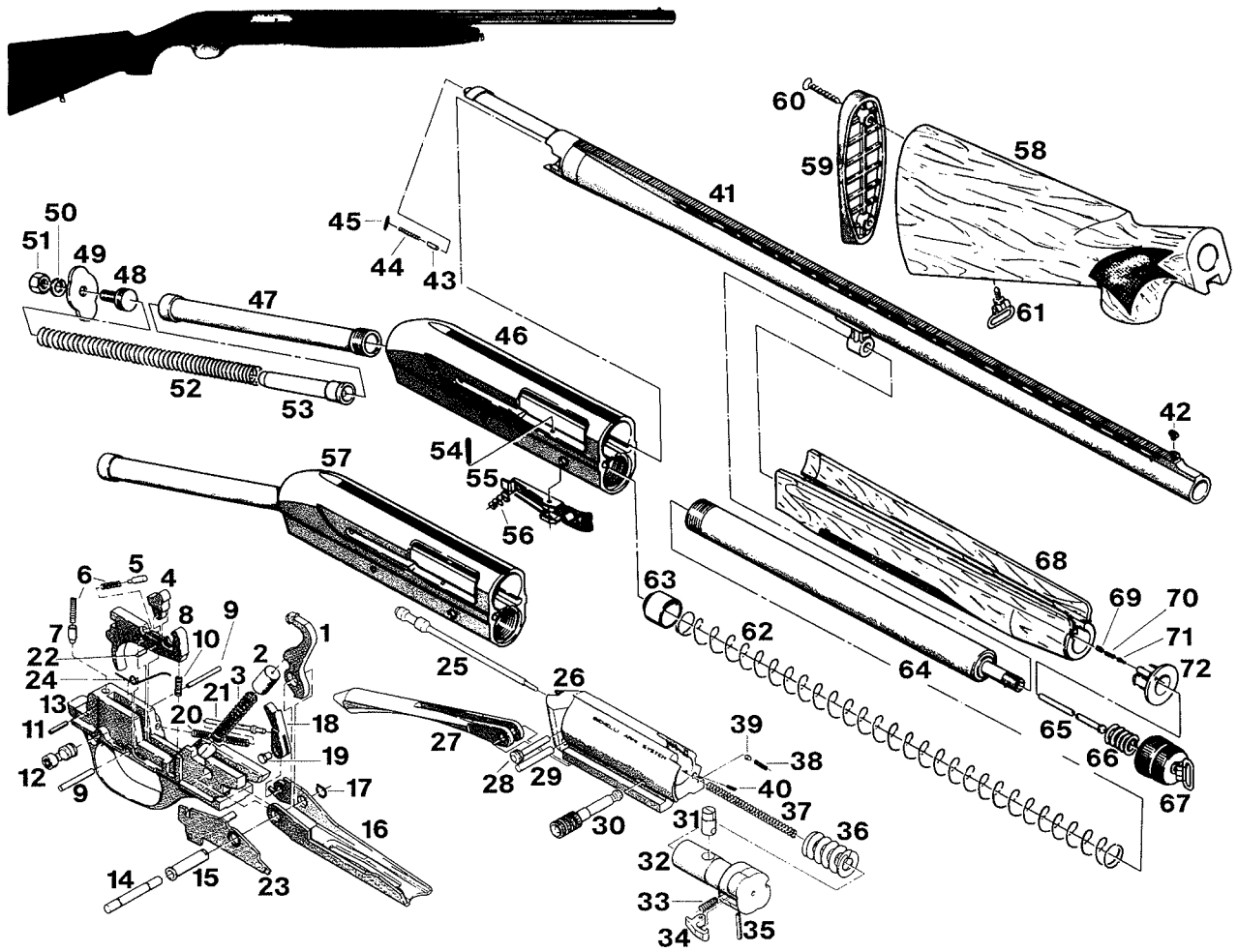
1	Barrel	16	Trigger Spring
2	Front Sight	17	Trigger
3	Receiver	18	Block Screws
4	Rear Sight	19	Hammer Screw
5	Rear Sight Screws	20	Rear Block Screw
6	Stock Lug	21	Finger Lever
7	Forearm	22	Lever Link Screw
8	Forearm Insert	23	Extractor
9	Forearm Screw	24	Lever Screw
10	Lever Link	25	Stock Insert
11	Breechblock, Left	26	Stock Bolt
12	Breechblock, Right	27	Buttplate
13	Firing Pin	28	Buttplate Screws
14	Hammer		
15	Mainspring		
		Parts Not Shown	
			Stock

M1 Super 90 Autoloading Shotgun



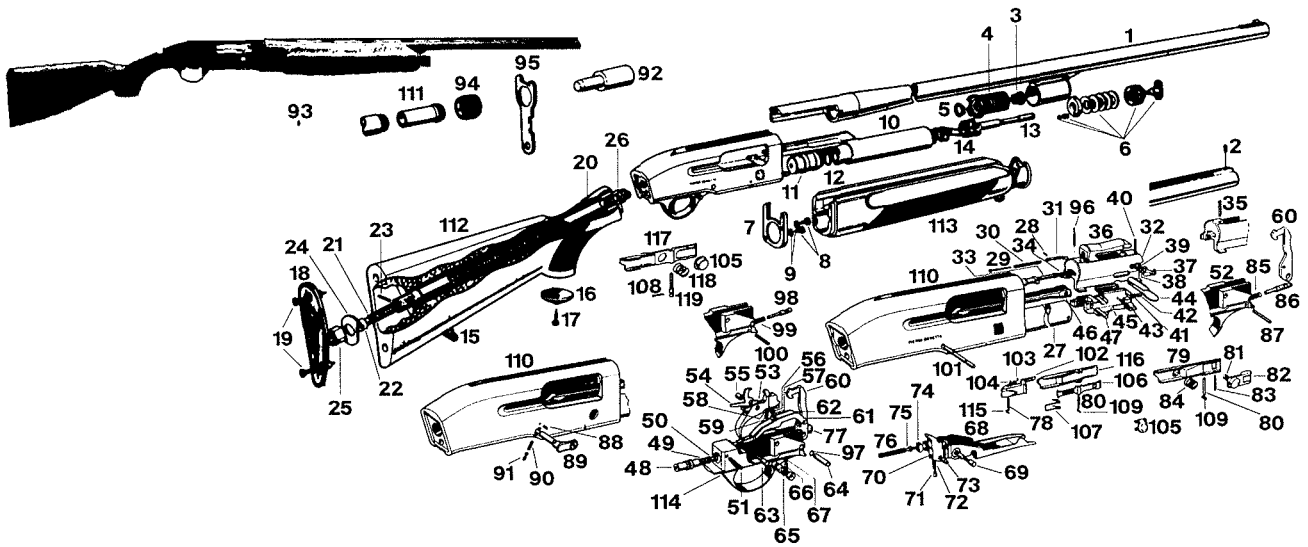
1	Hammer	26	Bolt	50	Spacer
2	Hammer Spring Cap	27	Link	51	Elastic Washer
3	Hammer Spring	28	Firing Pin Retaining Pin	52	Stock Retaining Nut
4	Disconnecter	29	Link Pin	53	Recoil Spring
5	Disconnecter Plunger	30	Bolt Handle	54	Recoil Spring Plunger
6	Safety Plunger Springs	31	Locking Head Pin	55	Carrier Latch Pin
7	Hand Safety Plunger	32	Locking Head	56	Carrier Latch
8	Trigger	33	Extractor Spring	57	Carrier Latch Spring
9	Trigger Pin	34	Extractor	58	Receiver Assembly
10	Trigger Spring	35	Extractor Pin	59	Stock
11	Safety Spring Retaining Pin	36	Inertia Spring	60	Buttplate
12	Hand Safety	37	Firing Pin Spring	61	Self-Threaded Screw
13	Trigger Guard	38	Bolt Handle Retaining Spring	62	Swivel Plate
14	Trigger Guard Pin	39	Bolt Handle Pin	63	Magazine Spring
15	Trigger Pin Bush	40	Bolt Handle Spring Retaining Pin	64	Magazine Follower
16	Carrier	41	Breech and Barrel Assembly	65	Magazine Tube
17	Trigger Guard Pin Spring	42	Front Sight	66	Ring
18	Breech Bolt Latch	43	Front Sight Screw	67	Magazine Tube Plug
19	Breech Bolt Latch Pin	44	Ejector Pin	68	Forend Cap
20	Carrier Spring	45	Ejector Pin Spring	69	Forend
21	Carrier Spring Plunger	46	Ejector Spring Retaining Pin	70	Washer
22	Disconnecter Pin	47	Receiver	71	Spring Washer
23	Cartridge Drop Lever	48	Recoil Spring Tube	72	Cap Retaining Ball Spring
24	Cartridge Drop Lever Spring	49	Stock Retaining Nut Screw	73	Cap Retaining Ball
25	Firing Pin			74	Ring

Montefeltro Super 90 Autoloading Shotgun



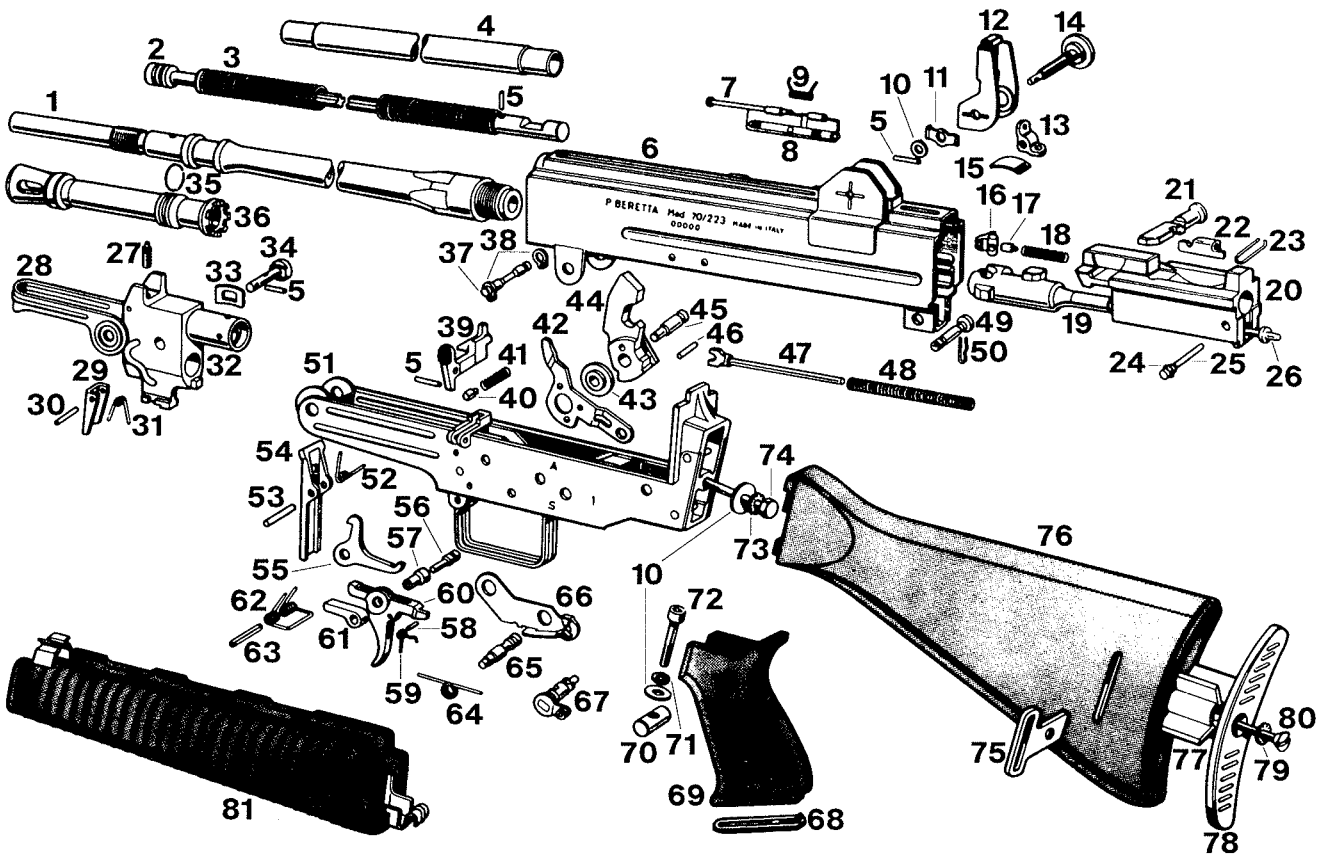
1	Hammer	25	Firing Pin	49	Locking Plate
2	Hammer Spring Cap	26	Bolt	50	Elastic Washer
3	Hammer Spring	27	Link	51	Stock Retaining Nut
4	Disconnecter	28	Firing Pin Retaining Pin	52	Recoil Spring
5	Disconnecter Plunger	29	Link Pin	53	Recoil Spring Plunger
6	Safety Plunger Springs	30	Bolt Handle	54	Carrier Latch Pin
7	Hand Safety Plunger	31	Locking Head Pin	55	Carrier Latch
8	Trigger	32	Locking Head	56	Carrier Latch Spring
9	Trigger Pin	33	Extractor Spring	57	Receiver Assembly
10	Trigger Spring	34	Extractor	58	Stock
11	Safety Spring Retaining Pin	35	Extractor Pin	59	Buttplate
12	Hand Safety	36	Inertia Spring	60	Buttplate Screw
13	Trigger Guard	37	Firing Pin Spring	61	Stock Swivel
14	Trigger Guard Pin	38	Bolt Handle Retaining Spring	62	Magazine Spring
15	Trigger Pin Bushing	39	Bolt Handle Pin	63	Magazine Follower
16	Carrier	40	Bolt Handle Spring Retaining Pin	64	Magazine Tube
17	Trigger Guard Pin Spring	41	Breech and Barrel Assembly	65	Shot Plug
18	Breech Bolt Latch	42	Front Sight	66	Forend Cap Spring
19	Breech Bolt Latch Pin	43	Ejector Pin	67	Forend Cap
20	Carrier Spring	44	Ejector Pin Spring	68	Forend
21	Carrier Spring Plunger	45	Ejector Spring Retaining Pin	69	Cap Retaining Pin Screw
22	Disconnecter Pin	46	Receiver	70	Cap Retaining Pin Spring
23	Cartridge Drop Lever	47	Recoil Spring Tube	71	Cap Retaining Pin
24	Cartridge Drop Lever Spring	48	Stock Retaining Nut Screw	72	Cap Retaining Pin Bushing

Model A300, A301, A302 and A303 Autoloading Shotgun



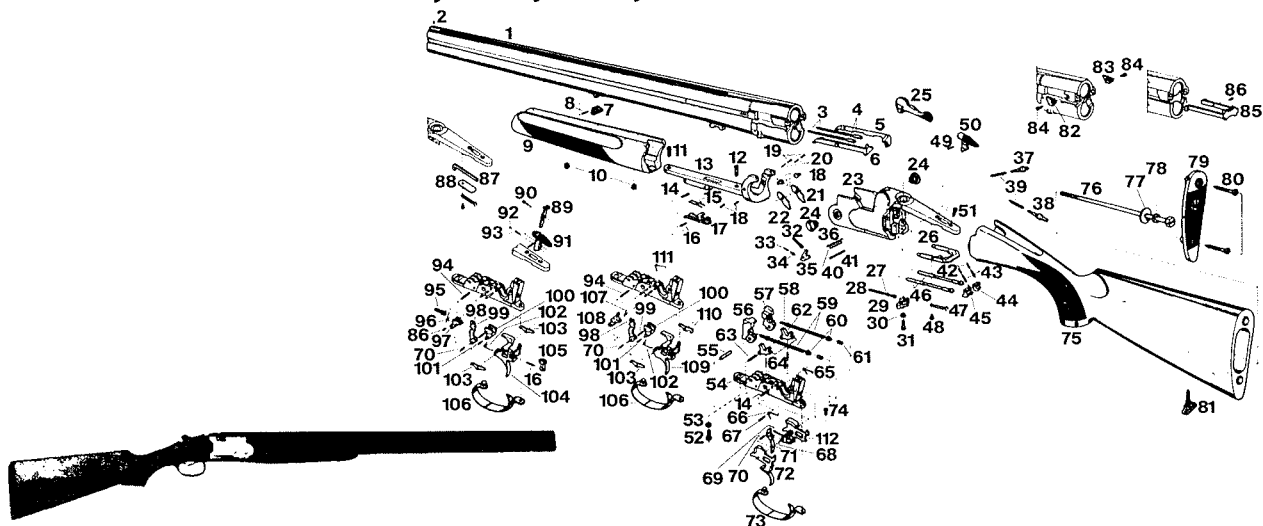
1	Barrel	43	Cocking Handle Plunger Retaining Spring Pin	83	Cartridge Latch Pin
2	Front Sight	44	Cocking Handle	84	Cartridge Latch Body Spring
3	Piston Bush	45	Breechbolt Slide	85	Carrier Catch Plunger Spring
4	Piston	46	Connecting Rod	86	Carrier Catch Plunger
5	Piston Bush Snap Ring	47	Connecting Rod Pin	87	Carrier Catch Plunger Pin
6	Forend Cap with Swivel	48	Hammer Spring Guide	88	Trigger Plate Retaining Lever Plunger Spring Pin
7	Forend Cover	49	Hammer Spring	89	Trigger Plate Retaining Lever
8	Forend Cover Screws	50	Hammer Spring Guide Plunger	90	Trigger Plate Retaining Lever Plunger Spring
9	Spring Washers	51	Hammer Spring Guide Spring Pin	91	Trigger Plate Retaining Lever Plunger
10	Operating Rod	52	Trigger Plate	92	Magazine Tube Capacity Reducer
11	Magazine Follower	53	Trigger	93	Intermediate Sight
12	Magazine Spring	54	Sear	94	Mobilchoke Tightening Ring
13	Magazine Tube Cap	55	Trigger Bush	95	Mobilchoke Ring Spanner
14	Magazine Tube Cap Spring	56	Trigger Spring	96	Firing Pin Spring Pin Assembly
15	Stock Swivel	57	Trigger Spring Guide Plunger	97	Trigger Plate Pin Snap Ring
16	Cap with Escutcheon	58	Sear Spring	98	Safety Locking Plunger
17	Cap Screw	59	Sear Plunger	99	Safety Locking Plunger Spring
18	Buttplate	60	Hammer	100	Safety Locking Plunger Retaining Spring Pin
19	Buttplate Screws	61	Right Brace	101	Trigger Plate Retaining Pin
20	Stock Bolt Tube	62	Left Brace	102	Cartridge Latch
21	Recoil Spring	63	Trigger Pin	103	Cartridge Latch Spring
22	Recoil Spring Cap	64	Hammer Bush	104	Cartridge Latch Spring Spring Pin
23	Recoil Spring Cap Pin	65	Safety	105	Cartridge Latch Button
24	Spacer	66	Safety Spring Plunger	106	Cartridge Latch Spring Lever
25	Stock Bolt Nut	67	Safety Spring	107	Cartridge Latch Spring
26	Recoil Spring Guide	68	Carrier	108	Cartridge Latch Pin Retaining Spring
27	Magazine Tube	69	Carrier Pin	109	Cartridge Lever Pin Retaining Spring Pin
28	Ejector Spring Pin	70	Carrier Lever	110	Receiver
29	Ejector Spring Guide	71	Carrier Lever Spring Guide Plunger	111	Mobilchoke Tube
30	Ejector Spring	72	Carrier Lever Spring	112	Buttstock
31	Ejector	73	Carrier Lever Pin	113	Forend Assembly
32	Breechbolt	74	Carrier Swivel Joint	114	Trigger Group Body
33	Firing Pin	75	Carrier Spring Guide	115	Carrier Latch Lock Pin
34	Firing Pin Spring	76	Carrier Spring	116	Carrier Latch Stop
35	Firing Pin Retaining Pin	77	Carrier Guide Swivel Joint	117	Cartridge Stop/Carrier Latch
36	Locking Block	78	Cartridge Lever Pin	118	Carrier Latch Spring
37	Extractor	79	Cartridge Latch Body	119	Carrier Latch Pivot
38	Extractor Plunger	80	Cartridge Lever Pin		
39	Extractor Spring	81	Cartridge Latch Spring		
40	Extractor Pin	82	Cartridge Latch		
41	Cocking Handle Plunger Spring				
42	Cocking Handle Plunger				

Model AR70 Autoloading Rifle



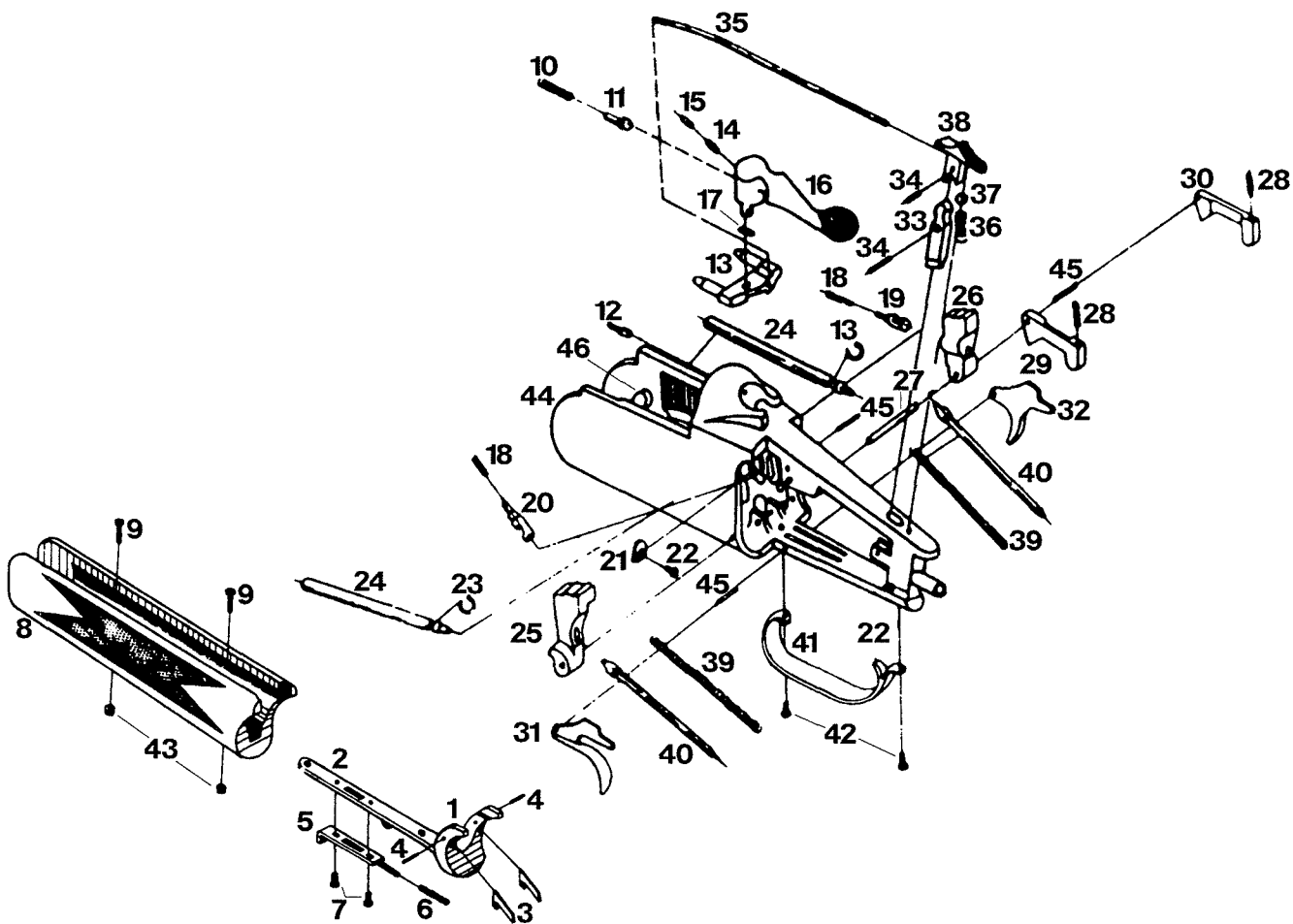
1	Barrel	27	Front Sight	55	Pawl
2	Operating Rod	28	Spindle Valve Lever	56	Trigger Pin
3	Recoil Spring	29	Grenade Launcher Latch	57	Trigger Bushing
4	Operating Rod Tube	30	Stop Lever Pin	58	Pawl Spring Split Pin
5	Split Pins	31	Grenade Launcher Stop Lever Spring	59	Pawl Spring
6	Frame	32	Gas Cylinder	60	Trigger
7	Dust Cover Pin	33	Spindle Valve Spring	61	Automatic Fire Lever Tooth
8	Dust Cover Assembly	34	Spindle Valve	62	Trigger Spring
9	Dust Cover Spring	35	Grenade Retaining Ring	63	Trigger Spring Split Pin
10	Washers	36	Grenade Launcher	64	Automatic Fire Lever Spring
11	Aperture Sight Adjusting Screw Spring	37	Hinge Pin	65	Automatic Fire Lever Pin
12	Grenade Launcher Sight	38	Two-Piece Hinge Pin Ring	66	Pin Retaining Plate
13	Aperture Sight	39	Bolt Hold-Open	67	Safety Assembly
14	Aperture Sight Adjusting Screw	40	Bolt Hold-Open Pin	68	Pistol Grip Bottom
15	Aperture Sight Spring	41	Bolt Hold-Open Spring	69	Pistol Grip
16	Extractor	42	Automatic Fire Lever	70	Pistol Grip Cotter
17	Extractor Pin	43	Hammer Bushing	71	Pistol Spring Washer
18	Extractor Spring	44	Hammer	72	Pistol Grip Screw
19	Bolt	45	Hammer Pin	73	Spring Washer
20	Bolt Carrier	46	Hammer Spring Pin	74	Tie Rod
21	Charging Handle	47	Hammer Spring Guide	75	Stock Swivel
22	Charging Handle Latch	48	Hammer Spring	76	Stock
23	Charging Handle Latch Spring	49	Receiver Retaining Pin	77	Stock Spacer
24	Firing Pin Retaining Ring Pin	50	Receiver Retaining Pin Spring	78	Buttplate
25	Firing Pin Retaining Pin	51	Trigger Housing	79	Buttplate Spring Washer
26	Firing Pin	52	Magazine Latch Spring	80	Buttplate Screw
		53	Magazine Latch Pin	81	Hand Guard Assembly
		54	Magazine Latch		

Model 680, 682, 685, 686 and 687 Over/Under Shotgun



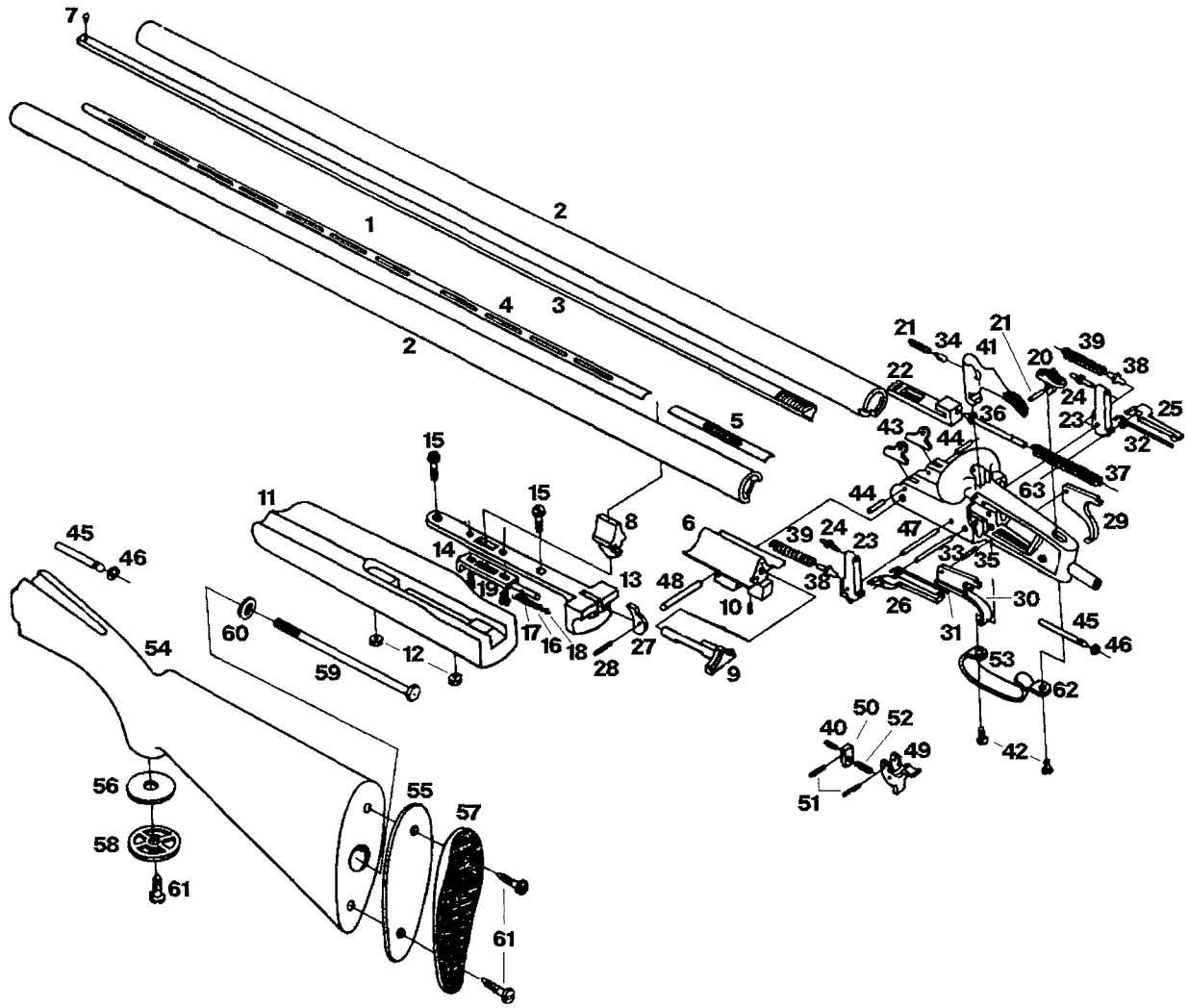
1	Barrel	43	Cocking Lever Spring Pin	84	Sideplate Retainer Screws
2	Ventilated Rib Front Sight	44	Right-Hand Cocking Lever	85	Extractor
3	Extractor Springs	45	Left-Hand Cocking Lever	86	Extractor Stop Spring Pin
4	Extractor Pins	46	Cocking Rods	87	Automatic Safety Rod
5	Lower Extractor, Right	47	Safety Spring	88	Automatic Safety Spring Washer
6	Upper Extractor, Left	48	Safety Spring Screw	89	Single Selective Trigger Selector Lever
7	Swivel Ring	49	Safety Pin	90	Single Selective Trigger Selector Lever Pin
8	Swivel Ring Spring Pin	50	Safety	91	Single Selective Trigger Safety
9	Forend	51	Stock Bolt Plate Screw	92	Single Selective Trigger Ball
10	Forend Washers	52	Trigger Plate Screw	93	Single Selective Trigger Selector Lever Spring
11	Forend Iron Front Screw	53	Trigger Plate Screw Spring Washer	94	Single Selective Trigger Inertia Block Pin
12	Forend Iron Rear Screw	54	Trigger Plate	95	Single Selective Trigger Inertia Block Lever Pawl
13	Forend Iron	55	Hammer Pin	96	Single Selective Trigger Inertia Block Lever Spring
14	Trigger and Forend Iron Catch Pin	56	Left-Hand Hammer	97	Single Selective Trigger Inertia Block Lever
15	Forend Iron Catch Spring	57	Right-Hand Hammer	98	Single Selective Trigger Inertia Block Rest
16	Forend Iron Catch and Selector Pawl Pin	58	Hammer Spring Guides	99	Single Selective Trigger Inertia Block Spring Pin
17	Forend Iron Catch	59	Hammer Springs	100	Single Selective Trigger Inertia Block Spring Pin
18	Forend Iron Lever Screws	60	Hammer Spring Guide Bushings	101	Single Selective Trigger Inertia Block Spring
19	Forend Iron Lever Pins	61	Hammer Spring Guide Nuts	102	Single Selective Trigger Inertia Block Spring
20	Forend Iron Lever Springs	62	Sears	103	Single Selective Trigger Connecting Lever
21	Forend Iron Lever, Right	63	Sear Pin	104	Single Selective Trigger, Gold Plated
22	Forend Iron Lever, Left	64	Sear Springs	105	Single Selective Trigger Selector Pawl
23	Frame	65	Trigger Spring, Right	106	Single Trigger Trigger Guard
24	Hinge Pins	66	Trigger Spring, Left	107	Single Trigger Inertia Block Lever Spring
25	Top Lever	67	Connecting Lever and Trigger Spring Pin	108	Single Trigger Inertia Block Lever
26	Locking Latch	68	Inertia Block Spring	109	Single Trigger
27	Top Lever Spring Pin	69	Inertia Block Spring Plunger	110	Single Trigger Connecting Lever
28	Top Lever Spring	70	Single Selective Trigger Inertia Block and Right Trigger Pin	111	Single Trigger Trigger Spring
29	Top Lever Dog	71	Gold Plated Trigger, Right	112	Right Trigger Safety Connector
30	Top Lever Screw Spring Washer	72	Gold Plated Trigger, Left		
31	Top Lever Screw	73	Dougle Trigger—Trigger Guard		
32	Locking Latch Release Pin	74	Trigger Guard Screw		
33	Locking Latch Clamping Lever Spring	75	Buttstock		
34	Locking Latch Clamping Lever Pin	76	Stock Bolt Screw		
35	Locking Latch Clamping Lever	77	Stock Washer		
36	Locking Latch Clamping Lever Pin	78	Stock Spring Washer		
37	Lower Firing Pin, Right	79	Buttplate		
38	Upper Firing Pin, Left	80	Buttplate Screws		
39	Firing Pin Springs	81	Stock Swivel		
40	Firing Pin Stop Spring Pin	82	Left Sideplate Retainer		
41	Cocking Lever Pin	83	Right Sideplate Retainer		
42	Cocking Lever Spring				

New Model Over/Under Shotgun



1	Forend Iron Assembly	20	Upper Firing Pin	39	Hammer Springs
2	Forend Iron	21	Firing Pin Limiter	40	Hammer Impellers
3	Ejector Levers	22	Fixing Screws	41	Trigger Guard
4	Ejector Lever Pins	23	Cocking Lever Pin	42	Trigger Guard Screws
5	Forend Lock	24	Cocking Lever	43	Forend Screw Nuts
6	Forend Lock Spring	25	Hammer, Left	44	Frame
7	Forend Lock Screws	26	Hammer, Right	45	Transverse Pins
8	Forend	27	Hammer Pin	46	Frame Lug
9	Forend Screws	28	Sear Springs	Parts Not Shown	
10	Lever Spring	29	Sear, Left	Buttplate	
11	Lever Pin	30	Sear, Right	Buttplate Screws	
12	Lever Impeller Pin	31	Trigger, Left	Buttplate Spacer	
13	Lock Retainer	32	Trigger, Right	Buttstock Screw	
14	Lock Retainer Springs	33	Sear Lock Lever	Front Sight	
15	Lock Retainer Pin	34	Safety Retainer Pins	Grip Cap	
16	Top Lever	35	Safety Impeller	Spacer	
17	Lever Retainer Pin	36	Safety Spring	Washer	
18	Firing Pin Springs	37	Safety Motion Limiting Ball		
19	Lower Firing Pin	38	Safety Thumb-Piece		

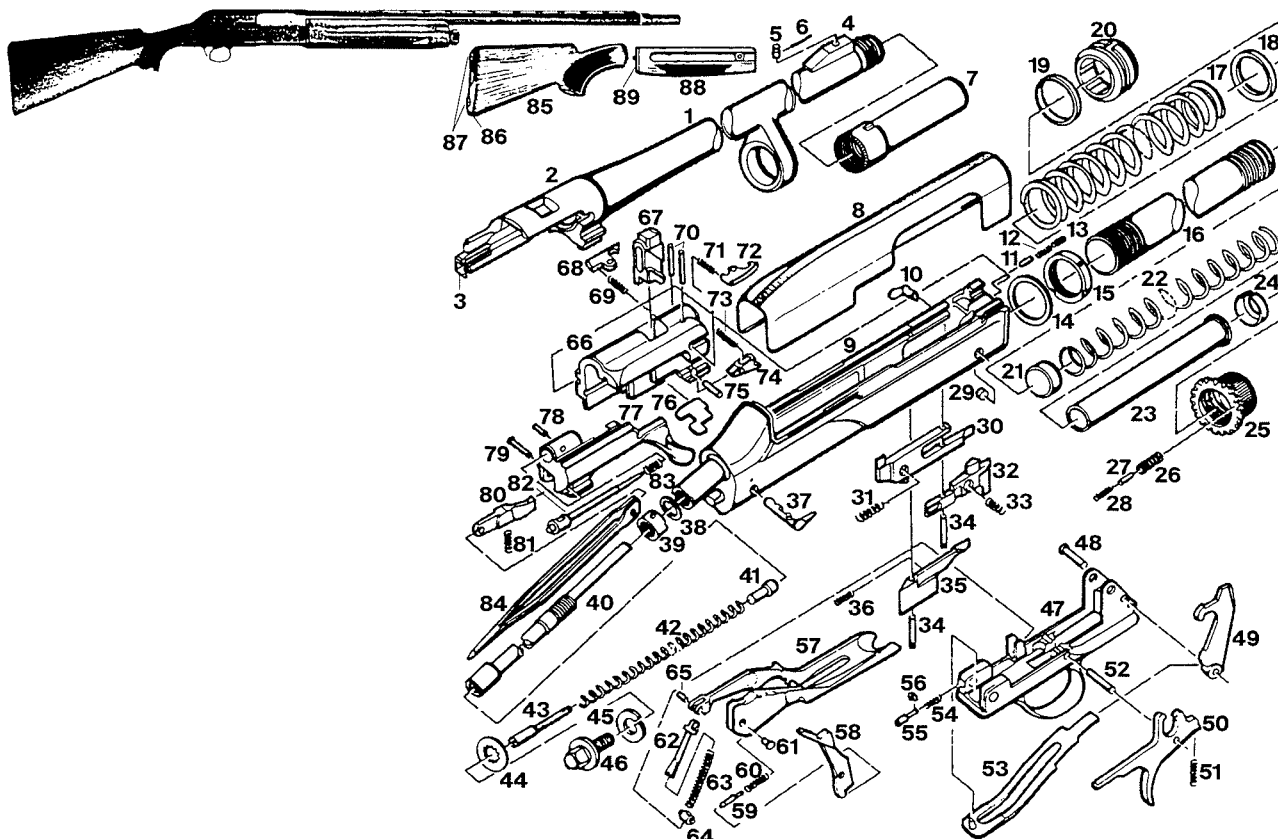
Side-by-Side Shotgun



1	Barrel Assembly	22	Latch Lock	43	Cocking Levers
2	Barrel	23	Hammer	44	Cocking Lever Pins
3	Solid Barrel Rib	24	Firing Pins	45	Cocking Lever Rod
4	Under Rib	25	Right Sear	46	Cocking Lever Rod Ring
5	Under Rib Extension	26	Left Sear	47	Hammer Pin
6	Barrel Lug Unit	27	Actuator Extractor	48	Hinge Pin
7	Front Sight	28	Actuator Extractor Pin	49	Actuator
8	Forend Latch Lug	29	Right Trigger	50	Safety Guide
9	Extractor Assembly	30	Left Trigger	51	Safety Pins
10	Limiter Screw	31	Left Sear Spring	52	Trigger Lock Spring
11	Forend	32	Right Sear Spring	53	Trigger Guard
12	Fastening Nuts	33	Sear Pin	54	Stock
13	Forend Iron Assembly	34	Ball Headed Pin	55	White Spacer
14	Lock	35	Trigger Pin	56	Grip Cap Spacer
15	Screws	36	Top Lever Spring Guide	57	Buttplate
16	Forend Iron Spring	37	Top Lever Spring	58	Grip Cap
17	Forend Latch	38	Firing Pin Spring Guides	59	Butt Screw
18	Activating Pin Guide	39	Firing Pin Springs	60	Butt Screw Washer
19	Forend Lock Screws	40	Trigger Lock Spring	61	Screws
20	External Lock	41	Top Lever	62	Trigger Guard Extension
21	External Lock Pins	42	Trigger Guard Screws	63	Frame

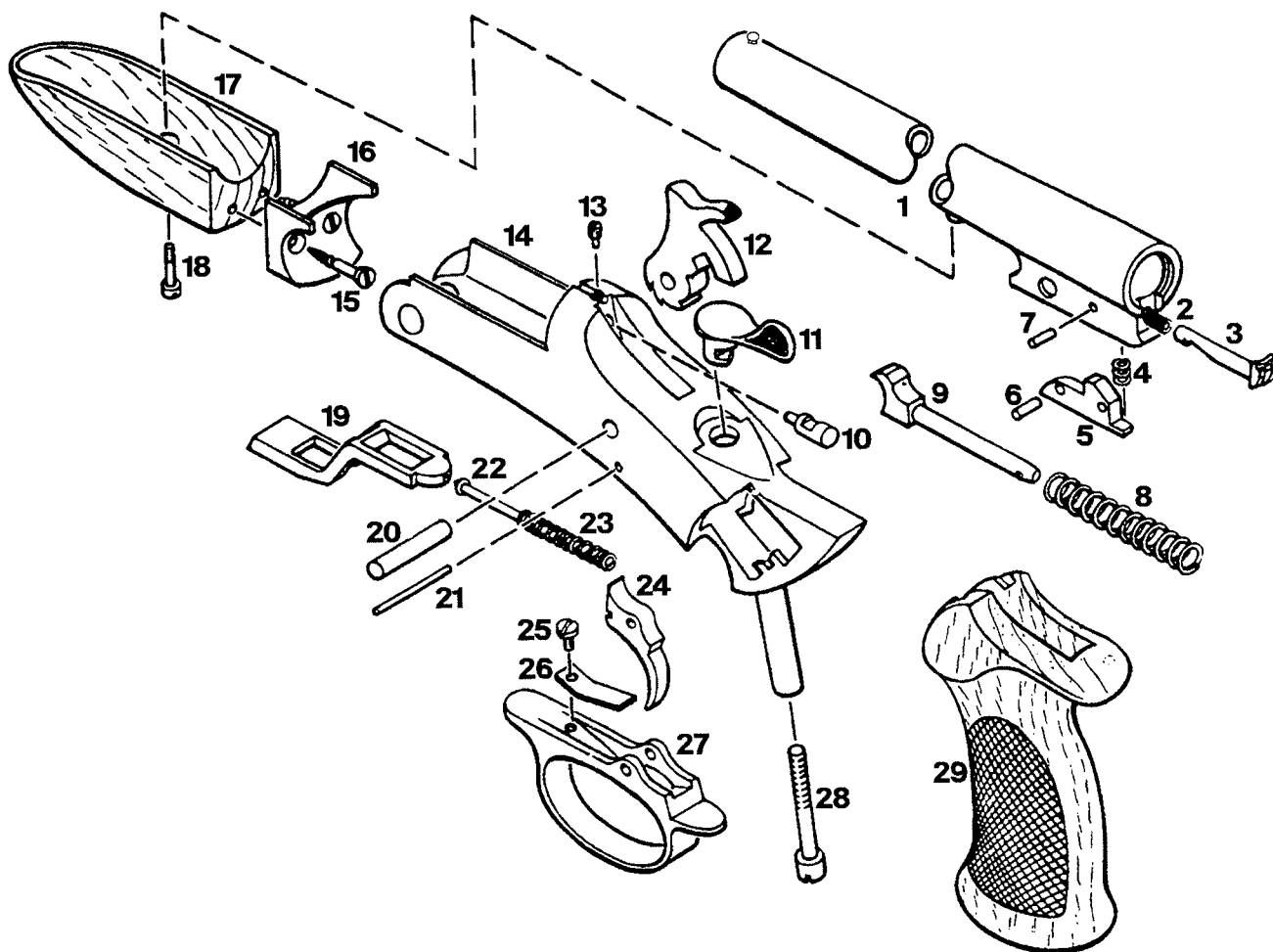
Mark II Autoloading Shotgun

Courtesy of Thomas E. Wessel



1	Barrel	30	Carrier Latch Lever	59	Carrier Dog Plunger
2	Barrel Extension	31	Carrier Latch Spring	60	Carrier Dog Spring
3	Ejector	32	Right Magazine Shell Latch Lever	61	Carrier Dog Pin
4	Front Sight Base	33	Right Magazine Shell Latch Spring	62	Carrier Rocker Arm
5	Front Sight	34	Shell Latch—Carrier Latch Pins	63	Carrier Rocker Spring
6	Choking Tube Retaining Spring	35	Left Magazine Shell Latch Lever	64	Carrier Rocker Pivot
7	Choking Tube	36	Left Latch Spring	65	Carrier Rocker Pin
8	Receiver Cover	37	Reversible Safety-Lever	66	Bolt
9	Receiver		Disassembly Pin	67	Locking Block
10	Magazine Cut-Off Lever	38	Action Spring Tube Lock Washer	68	Left Extractor
11	Magazine Cut-Off Plunger	39	Action Spring Tube Lock Nut	69	Left Extractor Spring
12	Magazine Cut-Off Plunger Spring	40	Action Spring Tube	70	Extractor Pins
13	Magazine Cut-Off Plunger Spring Screw	41	Action Spring Follower	71	Right Extractor Spring
14	Magazine Ring Washer	42	Action Spring	72	Right Extractor
15	Magazine Ring	43	Action Spring Guide	73	Bolt Pawl Spring
16	Magazine Tube	44	Stock Lock Washer	74	Bolt Pawl
17	Recoil Spring	45	Stock Spring Washer	75	Bolt Pawl Pin
18	Recoil Spring Washer	46	Action Spring Tube Plug	76	Bolt Plate
19	Beveled Brake Ring	47	Trigger Guard	77	Operating Handle
20	Bronze Friction Brake	48	Hammer Pin	78	Firing Pin Retaining Pin
21	Magazine Spring Follower	49	Hammer	79	Link Pin
22	Magazine Spring	50	Trigger	80	Operating Handle Latch
23	Magazine Reducer	51	Trigger Spring	81	Link Spring
24	Magazine Spring Retainer	52	Trigger Pin	82	Firing Pin
25	Magazine Cap	53	Hammer Spring	83	Firing Pin Spring
26	Magazine Cap Retainer Screw	54	Safety Plunger Spring	84	Bolt Link
27	Magazine Cap Plunger	55	Safety Plunger	85	Pistol Grip Stock
28	Magazine Cap Retainer Spring	56	Safety Plunger Plastic Washer	86	Buttplate
29	Carrier Latch Button	57	Carrier	87	Buttplate Screws
		58	Carrier Dog	88	Forend
				89	Forend Yoke

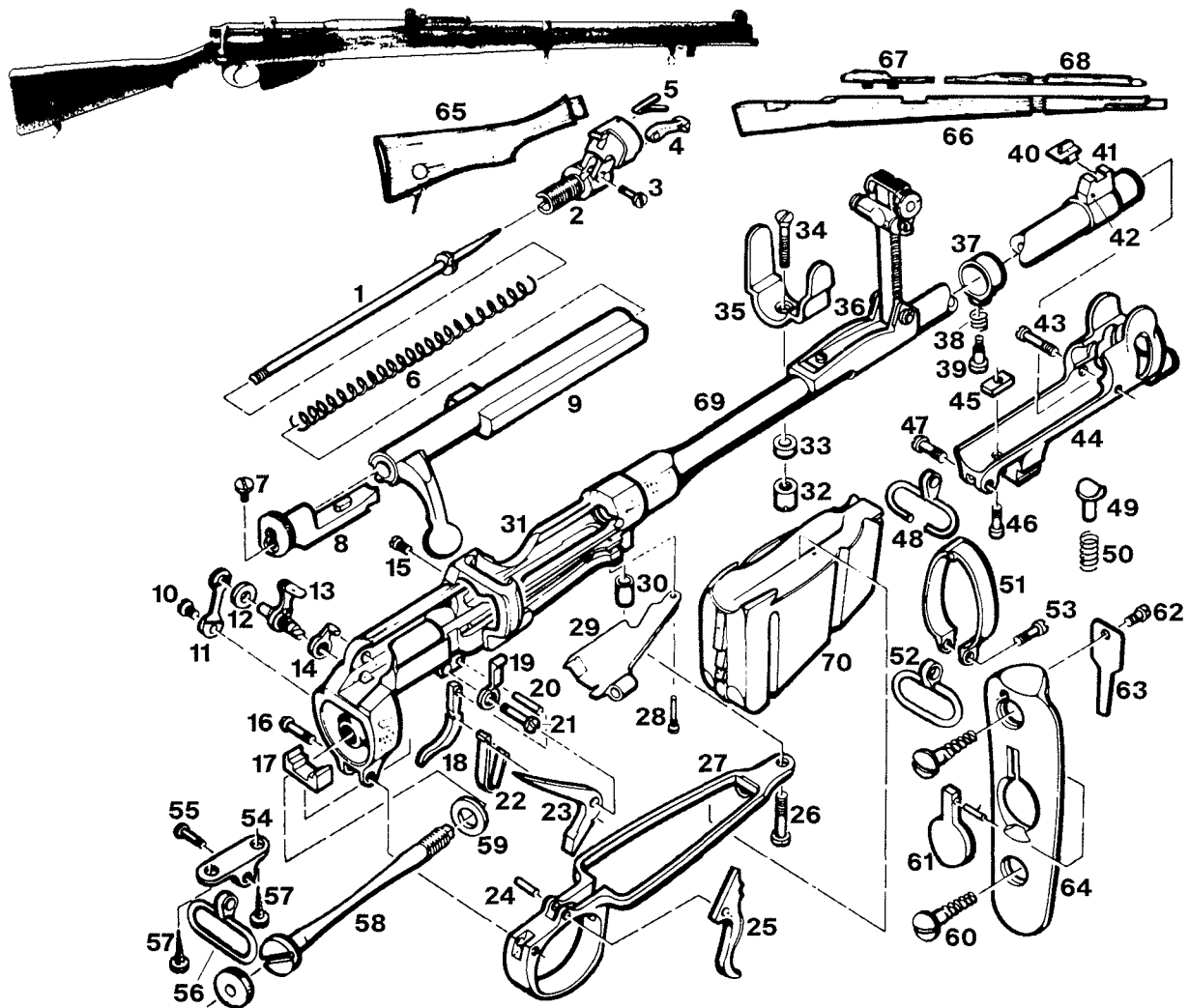
Single Shot Shotgun



1	Barrel	16	Forend Iron
2	Ejector Spring	17	Forend
3	Ejector	18	Forend Screw
4	Ejector Sear Spring	19	Barrel Latch
5	Ejector Sear	20	Hammer Pin
6	Ejector Sear Trip Pin	21	Trigger Pin
7	Ejector Sear Pivot	22	Barrel Latch Plunger
8	Hammer Spring	23	Barrel Latch Spring
9	Hammer Strut	24	Trigger
10	Firing Pin	25	Trigger Spring Screw
11	Barrel Latch Lever	26	Trigger Spring
12	Hammer	27	Trigger Guard
13	Firing Pin Retaining Screw	28	Grip Screw
14	Frame	29	Grip
15	Forend Iron Screw		

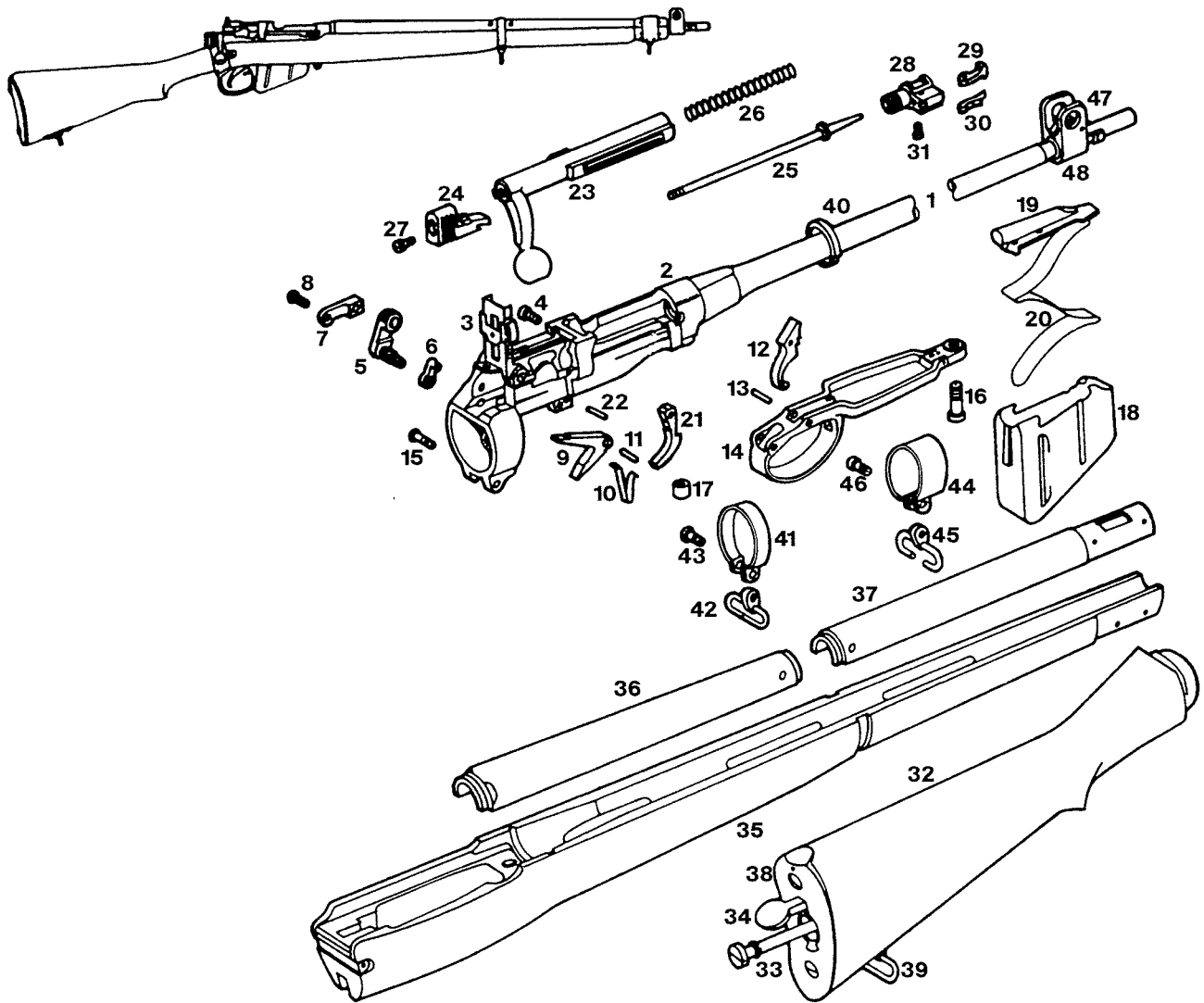
BRITISH LEE-ENFIELD

No. 1, Mark III (SMLE) Bolt-Action Rifle



1	Firing Pin	25	Trigger	49	Forend Stud
2	Bolt Head, Stripped	26	Front Guard Screw	50	Forend Stud Spring
3	Extractor Screw	27	Trigger Guard	51	Swivel Band
4	Extractor	28	Cut-Off Screw	52	Front Swivel
5	Extractor Spring	29	Cut-Off	53	Swivel Screw
6	Firing Pin Spring	30	Guard Screw Bushing	54	Butt Swivel Base
7	Firing Pin Screw	31	Receiver	55	Swivel Base Screw
8	Cocking Piece	32	Protector Nut	56	Buttstock Swivel
9	Bolt Body	33	Forend Collar	57	Butt Swivel Screws
10	Safety Spring Screw	34	Rear Sight Protector Screw	58	Stock Bolt
11	Safety Spring	35	Rear Sight Protector	59	Stock Bolt Washer
12	Safety Catch Washer	36	Rear Sight Assembly with Base	60	Buttplate Screw
13	Locking Bolt	37	Inner Band	61	Trapdoor Buttplate
14	Safety Catch	38	Inner Band Spring	62	Trapdoor Spring Screw
15	Ejector	39	Inner Band Screw	63	Trapdoor Spring
16	Rear Trigger Guard Screw	40	Front Sight Base	64	Buttplate
17	Stock Bolt Plate	41	Front Sight Base	65	Buttstock
18	Magazine Catch	42	Front Sight Pin	66	Forestock
19	Bolt Head Retaining Spring	43	Front Nosecap Screw	67	Rear Hand Guard
20	Magazine Catch Pin	44	Nosecap	68	Front Hand Guard
21	Retaining Spring Screw	45	Nosecap Nut	69	Barrel
22	Sear Spring	46	Rear Nosecap Screw	70	Magazine
23	Sear	47	Stacking Swivel Screw		
24	Trigger Pin	48	Stacking Swivel		

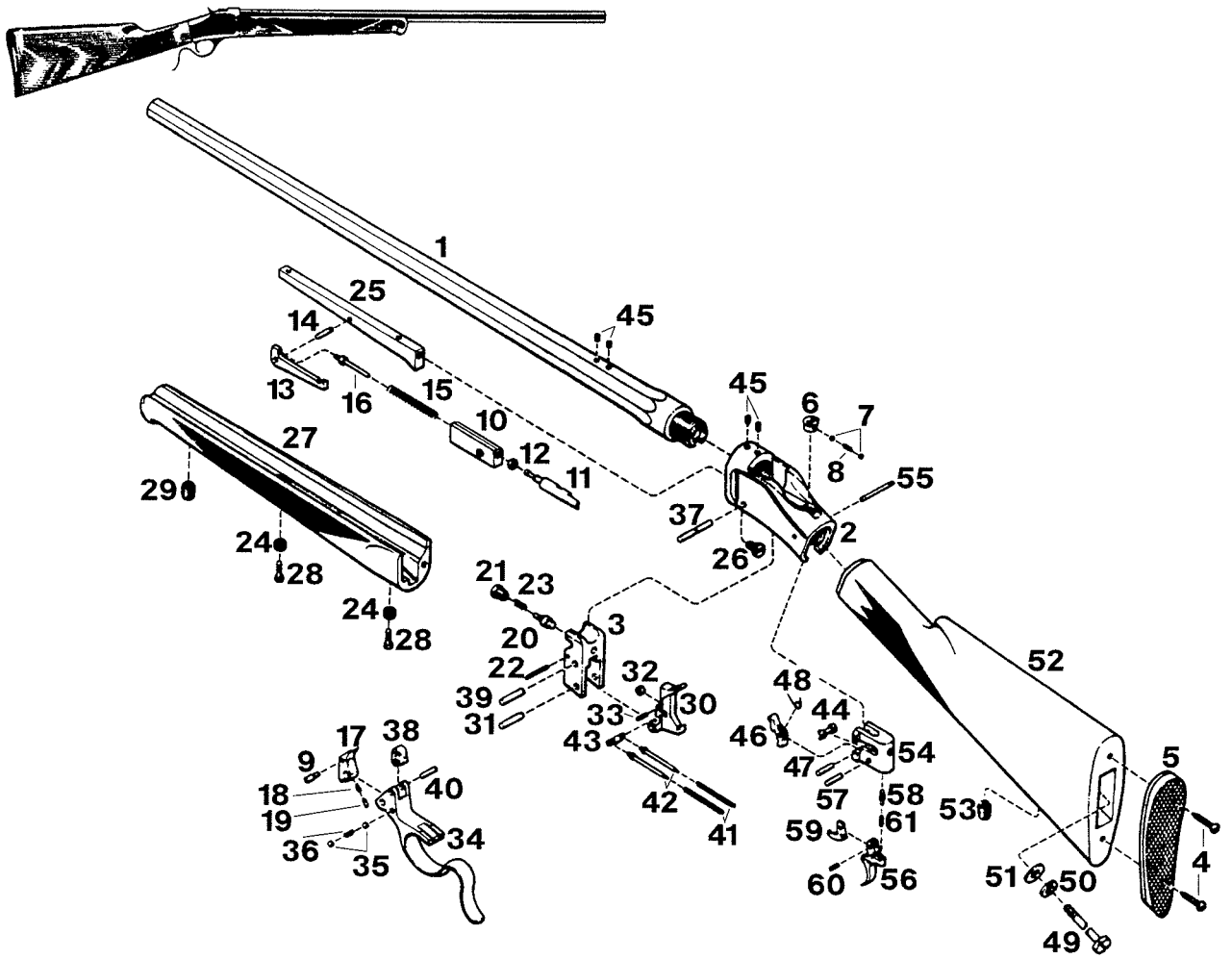
No. 4, Mark I* (SMLE) Bolt Action Rifle



1	Barrel	22	Magazine Catch Pin	43	Front Sling Swivel Screw
2	Receiver	23	Bolt	44	Front Stock Band
3	Rear Sight	24	Cocking Piece	45	Stacking Swivel
4	Ejector Screw	25	Firing Pin	46	Stacking Swivel Screw
5	Safety Bolt	26	Firing Pin Spring	47	Front Sight Guard
6	Safety Catch	27	Firing Pin Stop Screw	48	Front Sight Base and Guard Screw
7	Safety Bolt Spring	28	Bolt Head	Parts Not Shown	
8	Safety Bolt Spring Screw	29	Extractor		Bolt Head Release
9	Sear	30	Extractor Spring		Bolt Head Release Spring
10	Sear Spring	31	Extractor Screw		Bolt Head Release Stop
11	Sear Pin	32	Buttstock		Bolt Head Release Stop Screw
12	Trigger	33	Stock Bolt		Front Sight Base
13	Trigger Pin	34	Stock Bolt Washer		Front Sight Blades
14	Trigger Guard	35	Forestock		Rear Sight Base Pin
15	Rear Guard Screw	36	Rear Hand Guard		Rear Sight Plunger
16	Front Guard Screw	37	Front Hand Guard		Rear Sight Plunger Spring
17	Front Guard Screw Bushing	38	Buttplate		Stripper Clips
18	Magazine, Complete	39	Butt Sling Swivel Assembly		
19	Follower	40	Rear Stock Band		
20	Follower Spring	41	Middle Stock Band		
21	Magazine Catch	42	Front Sling Swivel		

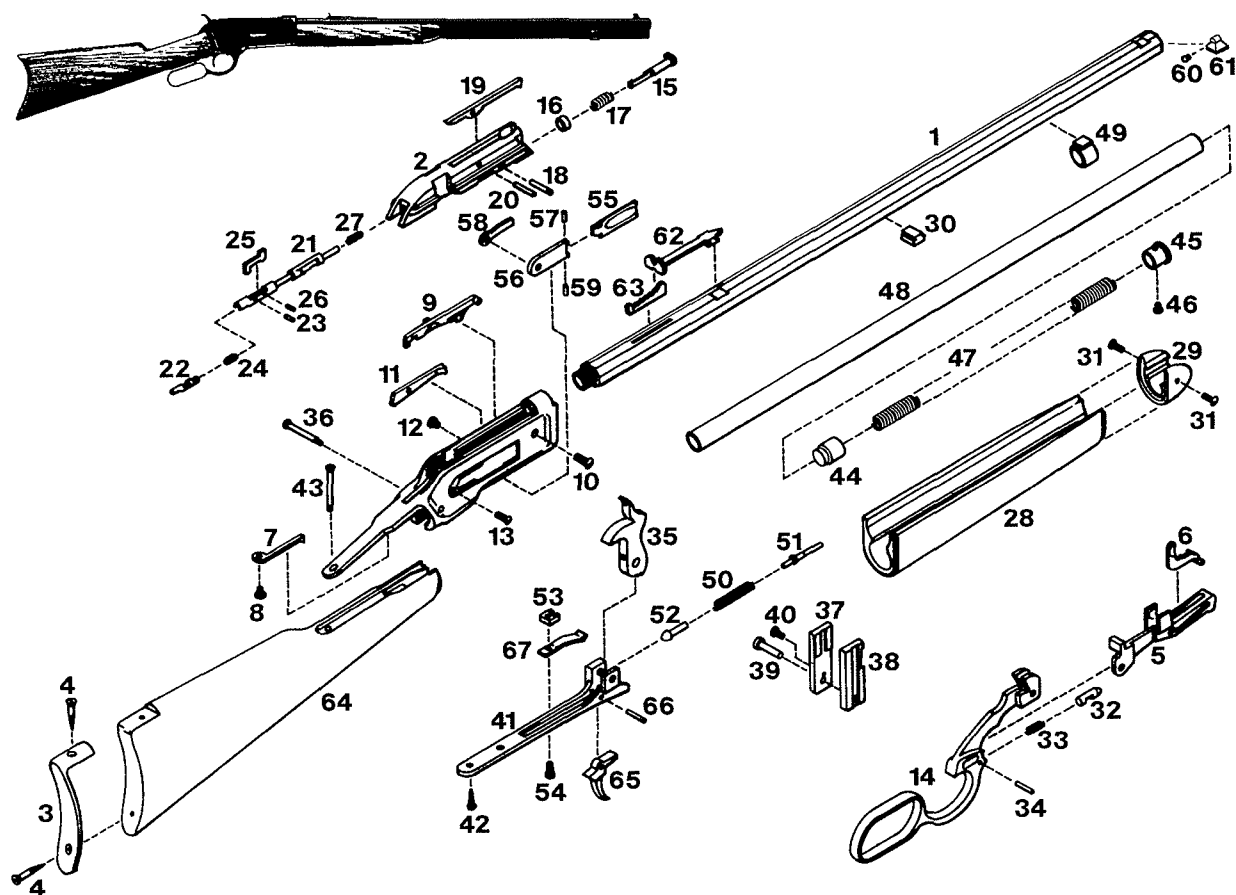
BROWNING

1885 Lever-Action Rifle



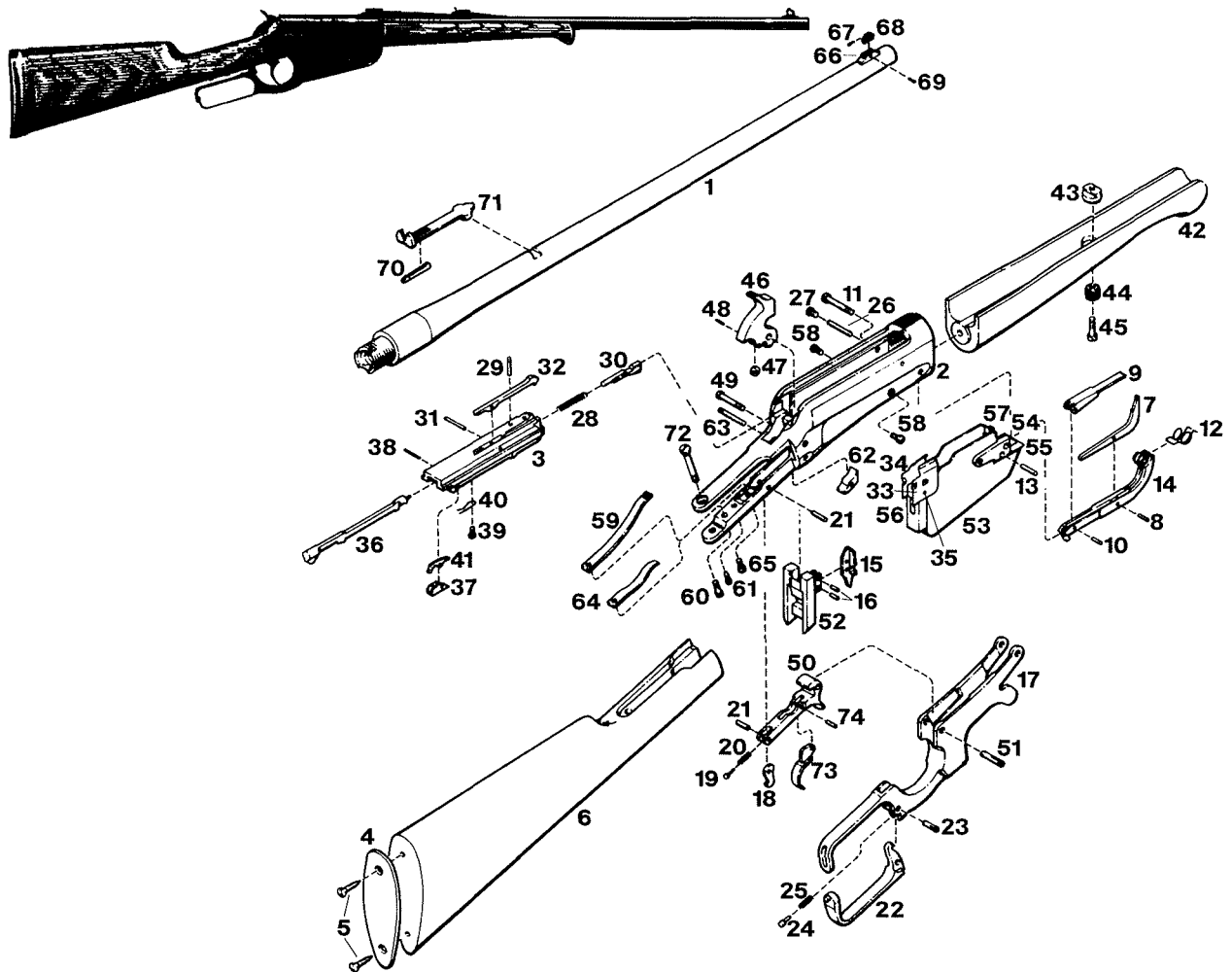
1	Barrel	22	Firing Pin Bushing Pin	44	Mainspring Pin, Rear
2	Receiver	23	Firing Pin Spring	45	Scope Mount Filler Screw
3	Breech Block	24	Forearm Escutcheons	46	Sear
4	Buttplate Screws	25	Forearm Hanger	47	Sear Pin
5	Buttplate	26	Forearm Hanger Bolt	48	Sear Spring
6	Deflector	27	Forearm	49	Stock Bolt
7	Deflector Balls	28	Forearm Screws	50	Stock Bolt Spring Washer
8	Deflector Ball Spring	29	Forearm Swivel Base	51	Stock Bolt Washer
9	Ejector Connecting Pin	30	Hammer	52	Stock
10	Ejector Hammer	31	Hammer Pin	53	Stock Swivel Base
11	Ejector Hammer Extension	32	Hammer Roller	54	Trigger Housing
12	Ejector Hammer Extension Washer	33	Hammer Roller Rivet	55	Trigger Housing Pin
13	Ejector Hammer Sear	34	Lever	56	Trigger
14	Ejector Hammer Sear Pin	35	Lever Latch Balls	57	Trigger Pin
15	Ejector Hammer Spring	36	Lever Latch Ball Spring	58	Trigger Pull Adjusting Screw
16	Ejector Hammer Spring Guide	37	Lever Pin	59	Trigger Sear
17	Extractor	38	Link	60	Trigger Sear Pin
18	Extractor Spring	39	Link Breech Block Pin	61	Trigger Spring
19	Extractor Spring Plunger	40	Link Lever Pin	Parts Not Shown	
20	Firing Pin	41	Mainsprings		Front Sight
21	Firing Pin Bushing	42	Mainspring Guides		Rear Sight
		43	Mainspring Pin		

1886 Lever-Action Rifle



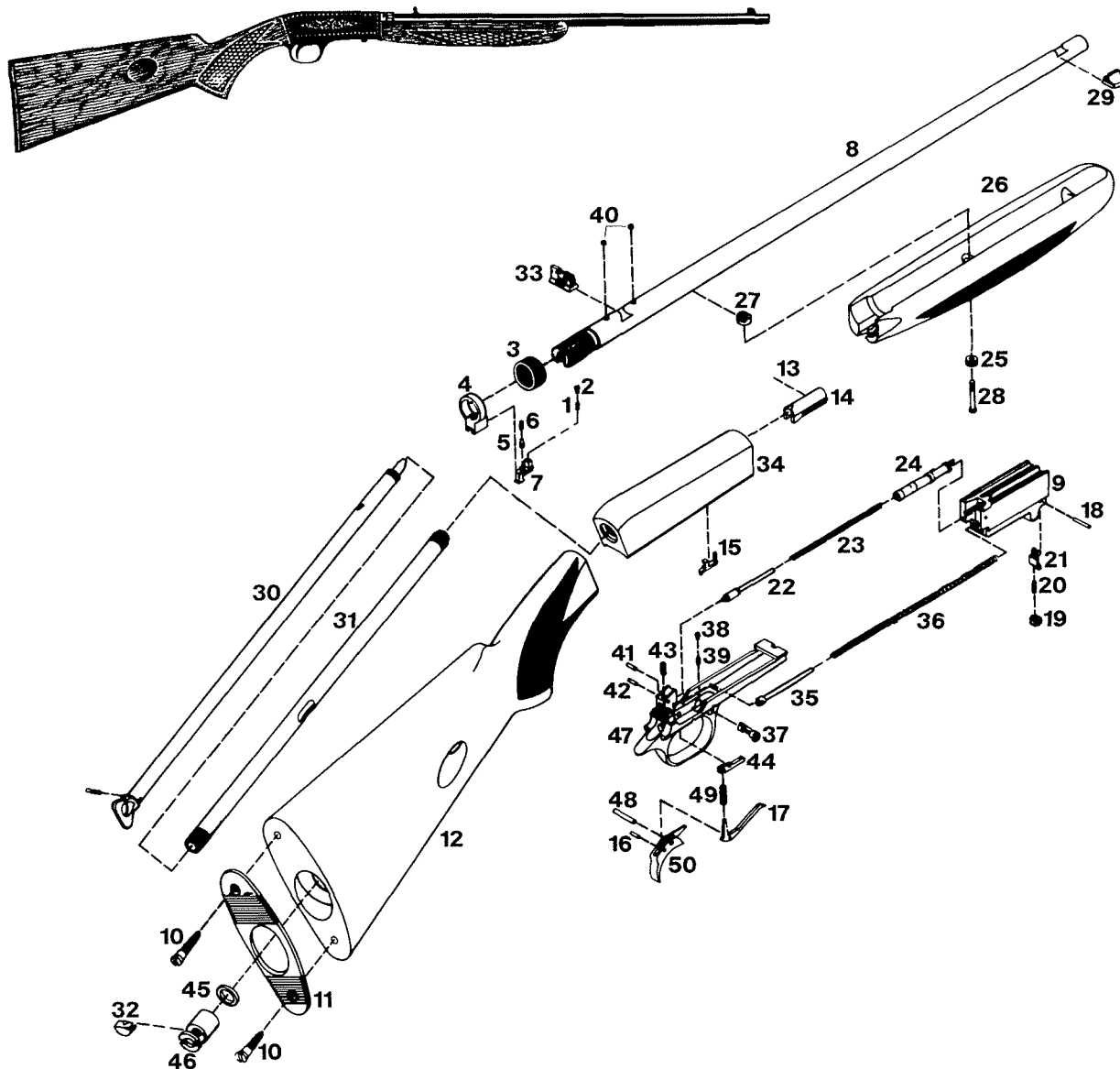
1	Barrel with Receiver	22	Firing Pin Inertia Slide	45	Magazine Plug
2	Breech Bolt	23	Firing Pin Inertia Slide Pin	46	Magazine Plug Screw
3	Buttplate	24	Firing Pin Inertia Slide Spring	47	Magazine Spring
4	Buttplate Screws	25	Firing Pin Safety Lock	48	Magazine Tube
5	Carrier	26	Firing Pin Safety Lock Pin	49	Magazine Tube Retainer Ring
6	Carrier Link	27	Firing Pin Spring	50	Mainspring
7	Carrier Spring	28	Forearm	51	Inner Mainspring Guide
8	Carrier Spring Screw	29	Forearm Tip	52	Outer Mainspring Guide
9	Cartridge Guide	30	Forearm Tip Tenon	53	Mainspring Guide Stud
10	Cartridge Guide Screw	31	Forearm Tip Screws	54	Mainspring Guide Stud Screw
11	Cartridge Guide Stop	32	Friction Stud	55	Receiver Spring Cover
12	Cartridge Guide Stop Screw	33	Friction Stud Spring	56	Receiver Spring Cover Base
13	Receiver Spring Cover Screw	34	Friction Stud Stop Pin	57	Receiver Spring Cover Pin
14	Cocking Lever	35	Hammer	58	Receiver Spring Cover Spring
15	Ejector	36	Hammer Screw	59	Receiver Spring Cover Stop Pin
16	Ejector Collar	37	Left Locking Bolt	60	Front Sight Bead
17	Ejector Spring	38	Right Locking Bolt	61	Front Sight
18	Ejector Stop Pin	39	Locking Bolt Stop Pin	62	Rear Sight
19	Extractor	40	Locking Bolt Stop Pin Stop Screw	63	Rear Sight Elevator
20	Extractor Pin and Mainspring Abutment Pin	41	Lower Tang	64	Stock
21	Firing Pin	42	Lower Tang Screw	65	Trigger
		43	Lower Tang Stock Screw	66	Trigger Pin
		44	Magazine Follower	67	Trigger Spring

1895 Lever-Action Rifle



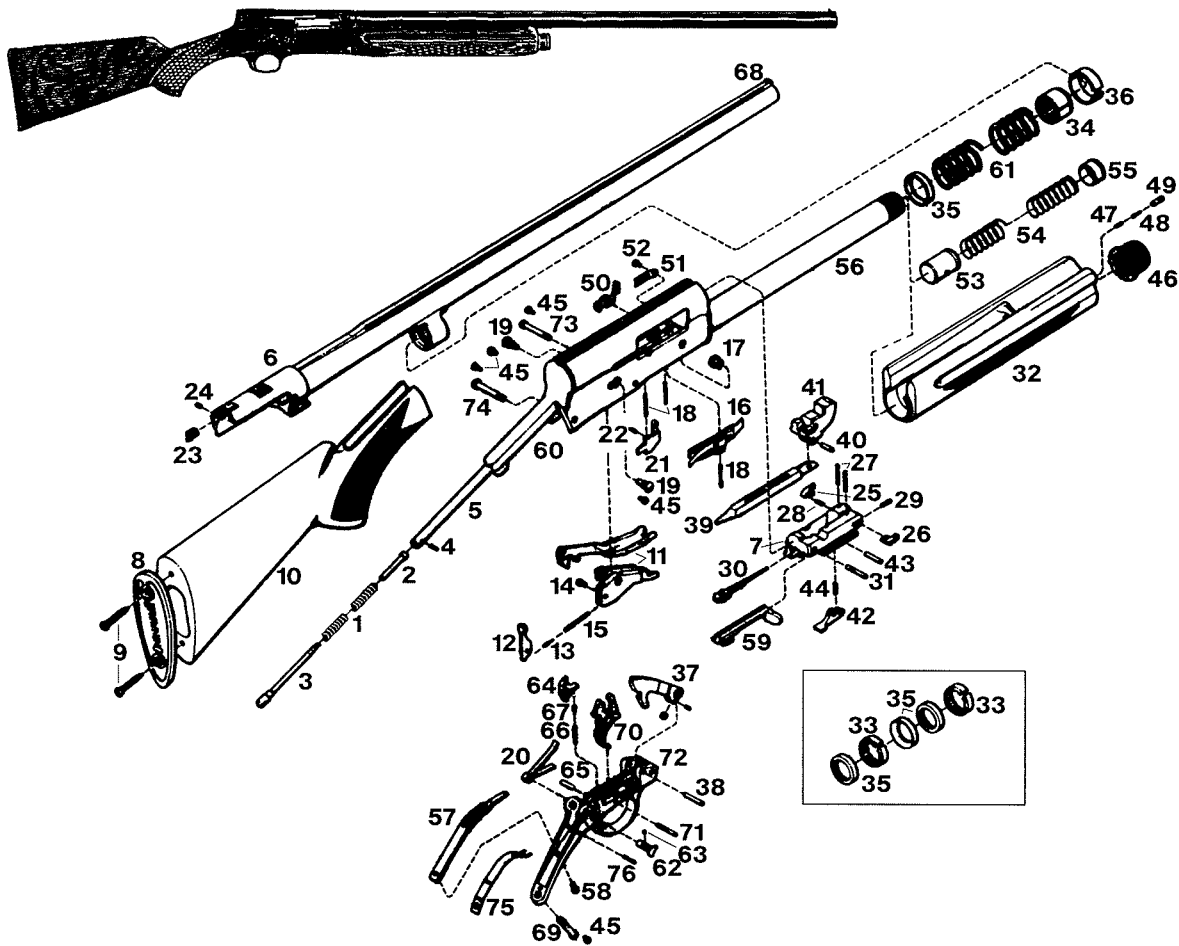
1	Barrel	26	Cocking Lever Pin	50	Link
2	Receiver	27	Cocking Lever Pin Stop Screw	51	Link Pin
3	Breech Bolt	28	Ejector Spring	52	Locking Bolt
4	Buttplate	29	Ejector Stop Pin	53	Magazine Body
5	Buttplate Screws	30	Ejector	54	Magazine Ejector
6	Buttstock	31	Extractor Pin	55	Magazine Follower
7	Carrier Cam Lever	32	Extractor	56	Magazine Rib
8	Carrier Cam Lever Pin	33	Feed Guide, Left	57	Magazine Rib, Front
9	Carrier Cradle	34	Feed Guide, Right	58	Magazine Tip Screws
10	Carrier Cradle Pin	35	Feed Guide Set Pin	59	Mainspring
11	Carrier Screw	36	Firing Pin	60	Mainspring Screw
12	Carrier Spring	37	Firing Pin Lock	61	Mainspring Strain Screw
13	Carrier Stop Pin	38	Firing Pin Lock and Firing Pin Recoil Lock Pin	62	Sear
14	Carrier	39	Firing Pin Lock and Recoil Lock Screw	63	Sear Pin
15	Cartridge Stop	40	Firing Pin Lock and Recoil Lock Spring	64	Sear Spring
16	Cartridge Stop Pins	41	Firing Pin Recoil Lock	65	Sear Spring Screw
17	Cocking Lever	42	Forearm	66	Front Sight Base
18	Cocking Lever Catch	43	Forearm Stud	67	Front Sight Bead
19	Cocking Lever Catch Plunger	44	Forearm Stud Escutcheon	68	Front Sight Blade
20	Cocking Lever Catch Plunger Spring	45	Forearm Stud Screw	69	Front Sight Blade Pin
21	Cocking Lever Link Pin	46	Hammer	70	Rear Sight Elevator
22	Cocking Lever Lock	47	Hammer Roll	71	Rear Sight
23	Cocking Lever Lock Joint Pin	48	Hammer Roll Pin	72	Upper Tang Screw
24	Cocking Lever Lock Plunger	49	Hammer Screw	73	Trigger
25	Cocking Lever Lock Plunger Spring			74	Trigger Pin

Auto-22 Autoloading Rifle



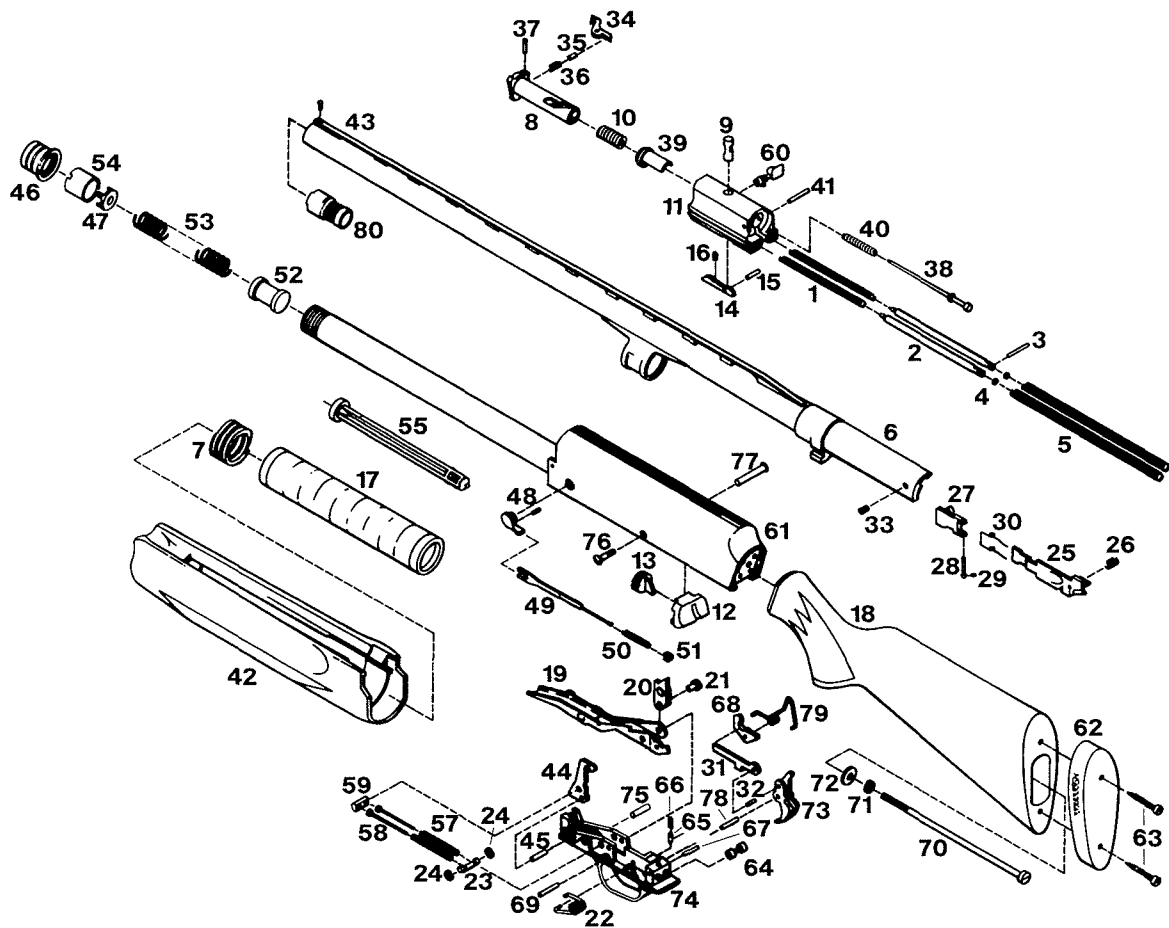
1	Barrel Adjusting Ring Follower Spring	17	Disconnecter	34	Receiver
2	Barrel Adjusting Ring Follower	18	Extractor Spring Retainer Pin	35	Recoil Spring Guide
3	Barrel Adjusting Ring	19	Extractor Spring Retainer	36	Recoil Spring
4	Barrel Lock Ring	20	Extractor Spring	37	Safety Button
5	Barrel Lock Spring Plunger	21	Extractor	38	Safety Spring Plunger
6	Barrel Lock Spring	22	Firing Pin Spring Guide	39	Safety Spring
7	Barrel Lock	23	Firing Pin Spring	40	Scope Mount Base Filler Screws
8	Barrel	24	Firing Pin	41	Sear Pin
9	Breechblock	25	Forend Escutcheon	42	Sear Spring Pin
10	Buttplate Screws	26	Forend	43	Sear Spring
11	Buttplate	27	Forend Retainer Stud	44	Sear
12	Buttstock	28	Forend Screw	45	Stock Nut Washer
13	Cartridge Guide Spring	29	Front Sight	46	Stock Nut
14	Cartridge Guide	30	Inner Magazine Tube Assembly	47	Trigger Guard
15	Cartridge Stop	31	Outer Magazine Tube	48	Trigger Pin
16	Disconnecter Pin	32	Magazine Tube Stop Spring	49	Trigger Spring
		33	Rear Sight Assembly	50	Trigger

Auto-5 Autoloading Shotgun



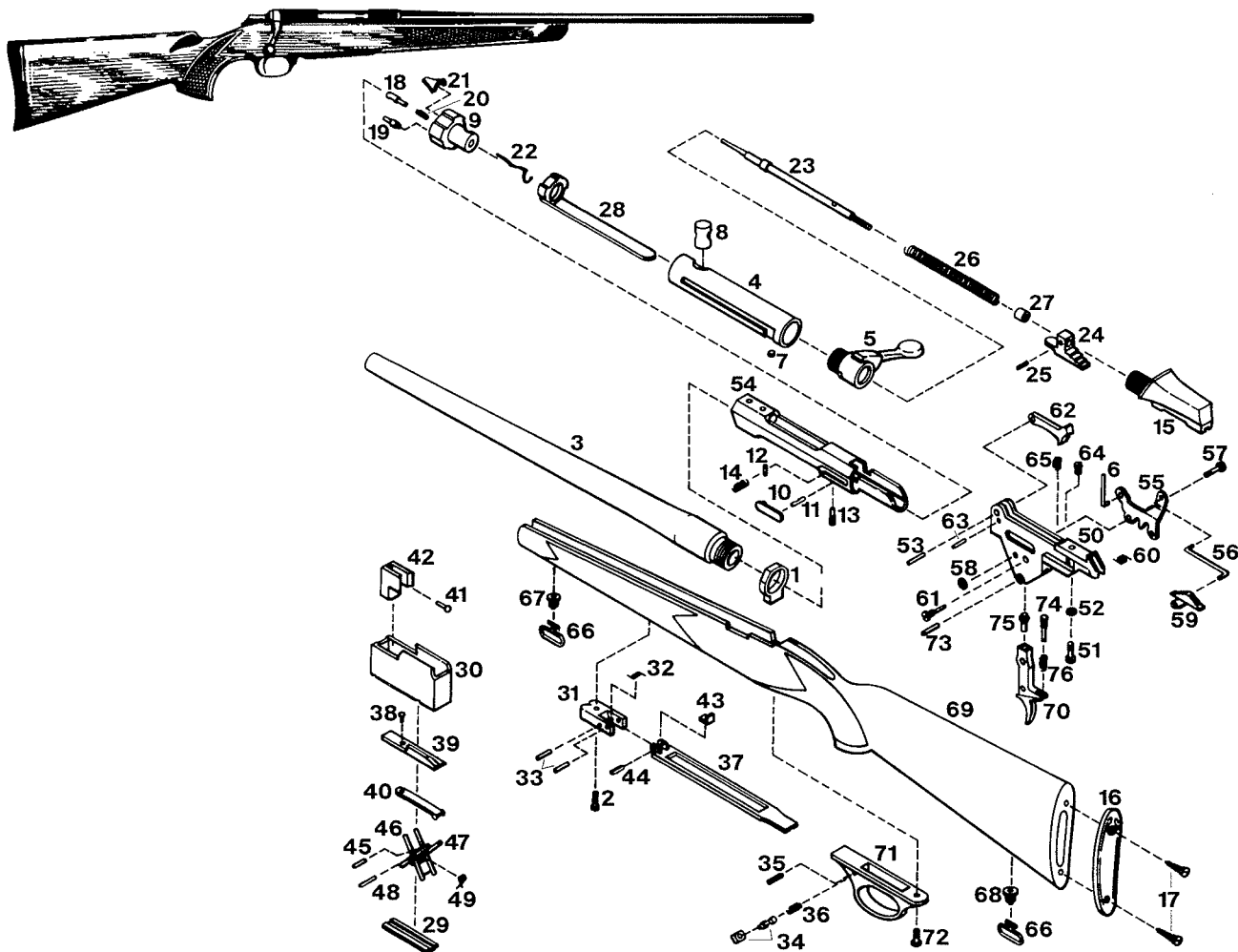
1	Action Spring	26	Extractor, Right	51	Magazine Cutoff Spring
2	Action Spring Follower	27	Extractor Pins	52	Magazine Cutoff Spring Screw
3	Action Spring Plug	28	Extractor Spring, Left	53	Magazine Follower
4	Action Spring Plug Pin	29	Extractor Spring, Right	54	Magazine Spring
5	Action Spring Tube	30	Firing Pin	55	Magazine Spring Retainer
6	Barrel Extension Assembly	31	Firing Pin Stop Pin	56	Magazine Tube
7	Breechblock	32	Forend	57	Mainspring
8	Buttplate	33	Friction Piece, Magnum	58	Mainspring Screw
9	Buttplate Screws	34	Friction Piece	59	Operating Handle
10	Buttstock	35	Friction Ring	60	Receiver
11	Carrier Assembly (Two-Piece)	36	Friction Spring	61	Recoil Spring
12	Carrier Dog	37	Hammer Assembly	62	Safety Crossbolt
13	Carrier Dog Follower	38	Hammer Pin	63	Safety Ball
14	Carrier Dog Pin	39	Link	64	Safety Sear
15	Carrier Dog Spring	40	Link Pin	65	Safety Sear Pin
16	Carrier Latch Assembly	41	Locking Block	66	Safety Sear Spring
17	Carrier Latch Button	42	Locking Block Latch Two-Piece Carrier	67	Safety Sear Spring Follower
18	Cartridge Stop/Carrier Latch/Magazine Cutoff Pins	43	Locking Block Latch Pin	68	Sight Bead
19	Carrier Screw	44	Locking Block Latch Spring	69	Tang Screw
20	Carrier Spring Trigger Plate	45	Lock Screw	70	Trigger
21	Cartridge Stop	46	Magazine Cap	71	Trigger Pin
22	Cartridge Stop Spring	47	Magazine Cap Detent Spring	72	Trigger Plate
23	Ejector	48	Magazine Cap Detent	73	Front Trigger Plate Screw
24	Ejector Rivet	49	Magazine Cap Detent Housing	74	Rear Trigger Plate Screw
25	Extractor, Left	50	Magazine Cutoff	75	Trigger Spring Pin Retainer
				76	Trigger Spring Retaining Pin

A-500 R Autoloading Shotgun



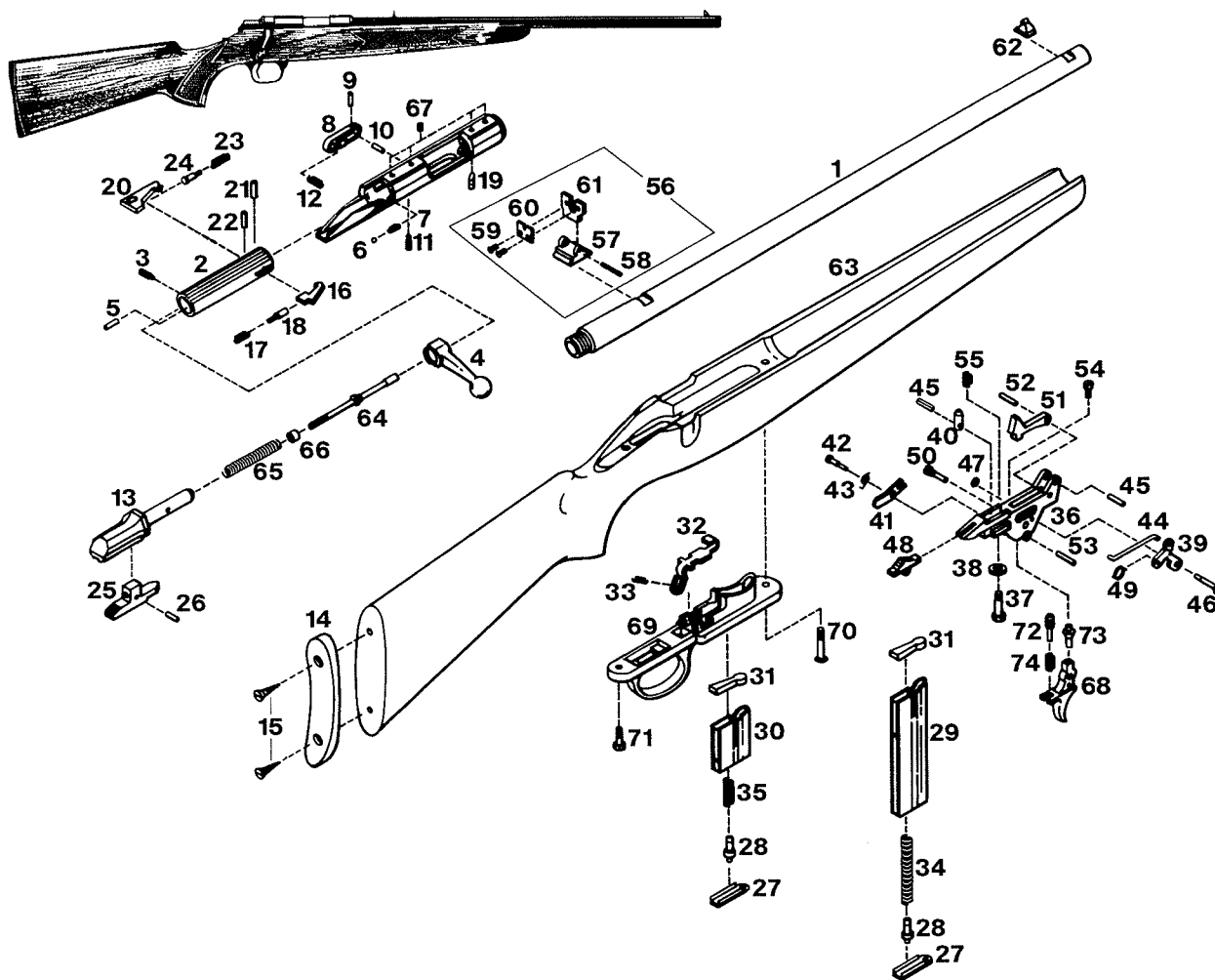
1	Front Action Springs	29	Cartridge Stop and Carrier Latch Pin Clip	53	Magazine Spring
2	Action Spring Guides	30	Cartridge Stop Spring	54	Magazine Spring Retainer
3	Action Spring Guide Pin	31	Disconnecter	55	Magazine Three-Shot Adaptor
4	Action Spring Guide Washers	32	Disconnecter Pin	56	Magazine Tube
5	Rear Action Springs	33	Ejector	57	Mainsprings
6	Barrel Extension	34	Extractor	58	Mainspring Guides
7	Barrel Spring	35	Inner Extractor Spring	59	Mainspring Guide Pin Hammer
8	Bolt	36	Outer Extractor Spring	60	Operating Handle
9	Bolt Cam Pin	37	Extractor Pin	61	Receiver
10	Bolt Spring	38	Firing Pin	62	Recoil Pad
11	Breechblock	39	Firing Pin Cover	63	Recoil Pad Screws
12	Breechblock Buffer	40	Firing Pin Spring	64	Safety
13	Breechblock Buffer Core	41	Firing Pin Stop Pin	65	Safety Plunger
14	Breechblock Lever	42	Forend	66	Safety Plunger Spring
15	Breechblock Lever Pin	43	Front Sight	67	Safety Spring Stop Pin
16	Breechblock Lever Spring	44	Hammer	68	Sear
17	Buffer Rings	45	Hammer Pin	69	Sear Pin
18	Buttstock	46	Magazine Cap	70	Stock Screw
19	Carrier	47	Magazine Cap Retainer	71	Stock Screw Lock Washer
20	Carrier Dog	48	Magazine Cutoff and Pin	72	Stock Screw Washer
21	Carrier Dog Pin	49	Magazine Cutoff Plunger, Spring and Retainer	73	Trigger
22	Carrier and Carrier Dog Spring	50	Magazine Cutoff Plunger Spring	74	Trigger Guard
23	Carrier Pin	51	Magazine Cutoff Plunger Spring Retainer	75	Trigger Guard Pin Sleeve
24	Carrier Pin Circlips	52	Magazine Follower	76	Trigger Guard Retaining Screw
25	Carrier Latch			77	Trigger Guard Retaining Screw Nut
26	Carrier Latch Spring			78	Trigger Pin
27	Cartridge Stop			79	Trigger Spring
28	Cartridge Stop and Carrier Latch Pin			80	Choke Tube

A-Bolt Bolt-Action Rifle



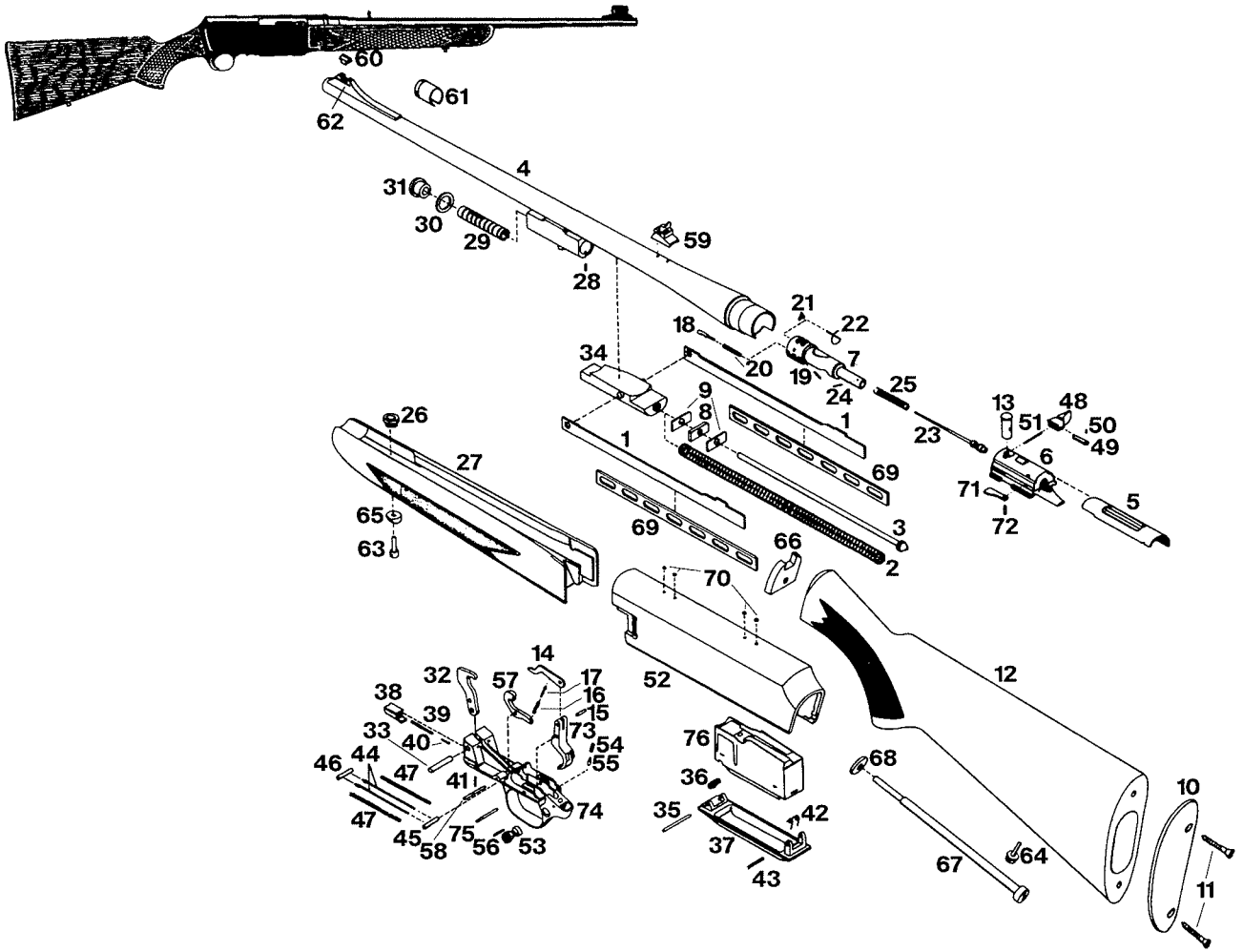
1	Barrel Mounting Block	27	Firing Pin Washer	53	Mechanism Housing Set Pin
2	Barrel Mounting Screw	28	Gas Stop Assembly	54	Receiver
3	Barrel	29	Magazine Base	55	Safety
4	Bolt Body	30	Magazine Body	56	Safety Link
5	Bolt Handle	31	Magazine Floorplate Hinge	57	Safety Pin
6	Bolt Handle Lock	32	Magazine Floorplate Hinge Spring	58	Safety Pin Snap Ring
7	Bolt Handle Pin	33	Magazine Floorplate Hinge Pins	59	Safety Selector
8	Bolt Head Key Pin	34	Magazine Floorplate Latch Assembly	60	Safety Spring
9	Bolt Head	35	Magazine Floorplate Latch Pin	61	Safety Stud
10	Bolt Retainer	36	Magazine Floorplate Latch Spring	62	Sear
11	Bolt Retainer Guide Pin	37	Magazine Floorplate	63	Sear Pin
12	Bolt Retainer Pin	38	Magazine Follower Rivet	64	Sear Screw
13	Bolt Retainer Screw	39	Magazine Follower	65	Sear Spring
14	Bolt Retainer Spring	40	Magazine Follower Spring	66	Sling Swivels
15	Bolt Shroud	41	Magazine Ramp Rivet	67	Swing Swivel Base, Front
16	Buttplate	42	Magazine Ramp	68	Swing Swivel Base, Rear
17	Buttplate Screws	43	Magazine Retainer Spring	69	Stock
18	Ejector	44	Magazine Retainer Spring Pin	70	Trigger
19	Ejector Pin	45	Magazine Spring Pin	71	Trigger Guard
20	Ejector Spring	46	Inner Magazine Spring Strut	72	Trigger Guard Screw
21	Extractor	47	Outer Magazine Spring Strut	73	Trigger Pin
22	Extractor Spring	48	Magazine Strut Pin	74	Trigger Pull Adjusting Screw
23	Firing Pin	49	Magazine Strut Spring	75	Trigger Sear
24	Firing Pin Sear	50	Mechanism Housing	76	Trigger Spring
25	Firing Pin Sear Pin	51	Mechanism Housing Screw		
26	Firing Pin Spring	52	Mechanism Housing Screw Washer		

A-Bolt 22 Bolt-Action Rifle



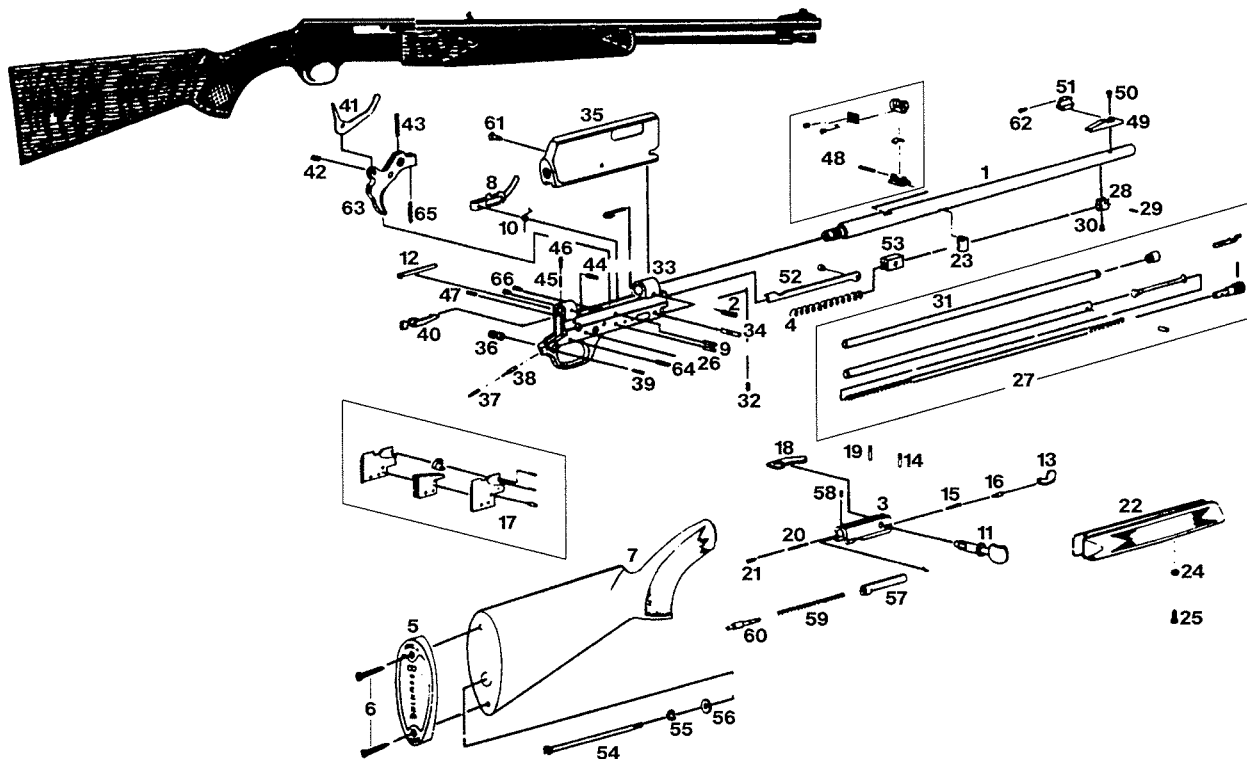
1	Barrel	26	Firing Pin Sear Pin	51	Sear
2	Bolt	27	Magazine Base	52	Sear Pin
3	Bolt Assembly Screw	28	Magazine Base Retainer	53	Trigger Pin
4	Bolt Handle	29	Magazine Body, 15 Shot	54	Sear Screw
5	Bolt Handle Pin	30	Magazine Body, 5 Shot	55	Sear Spring
6	Bolt Handle Stop Ball	31	Magazine Follower Guide	56	Rear Sight Assembly
7	Bolt Handle Stop Spring	32	Magazine Latch	57	Sight Base
8	Bolt Retainer	33	Magazine Latch Spring	58	Sight Pin
9	Bolt Retainer Pin	34	Magazine Spring, 15 Shot	59	Sight Elevation Screws
10	Bolt Retainer Pin Guide	35	Magazine Spring, 5 Shot	60	Sight Elevation Leaf
11	Bolt Retainer Screw	36	Mechanism Housing	61	Sight Leaf
12	Bolt Retainer Spring	37	Mechanism Housing Screw	62	Front Sight
13	Bolt Shroud	38	Mechanism Housing Screw Washer	63	Stock
14	Buttplate	39	Safety	64	Striker
15	Buttplate Screws	40	Safety Blocking Pin	65	Striker Spring
16	Extractor	41	Safety-Lever	66	Striker Spring Washer
17	Extractor Spring	42	Safety-Lever Pin	67	Telescope Mount Filler Screws
18	Extractor Spring Follower	43	Safety-Lever Spring	68	Trigger
19	Feed Ramp	44	Safety Link	69	Trigger Guard
20	Firing Pin Ejector	45	Safety Link Roll Pins	70	Trigger Guard Screw, Front
21	Firing Pin Ejector Pin	46	Safety Pin	71	Trigger Guard Screw, Rear
22	Firing Pin Ejector Relief Pin	47	Safety Pin Snap Ring	72	Trigger Pull Adjusting Screw
23	Firing Pin Ejector Spring	48	Safety Selector	73	Trigger Sear
24	Firing Pin Ejector Spring Follower	49	Safety Spring	74	Trigger Spring
25	Firing Pin Sear	50	Safety Stud		

BAR Standard and Magnum Autoloading Rifle



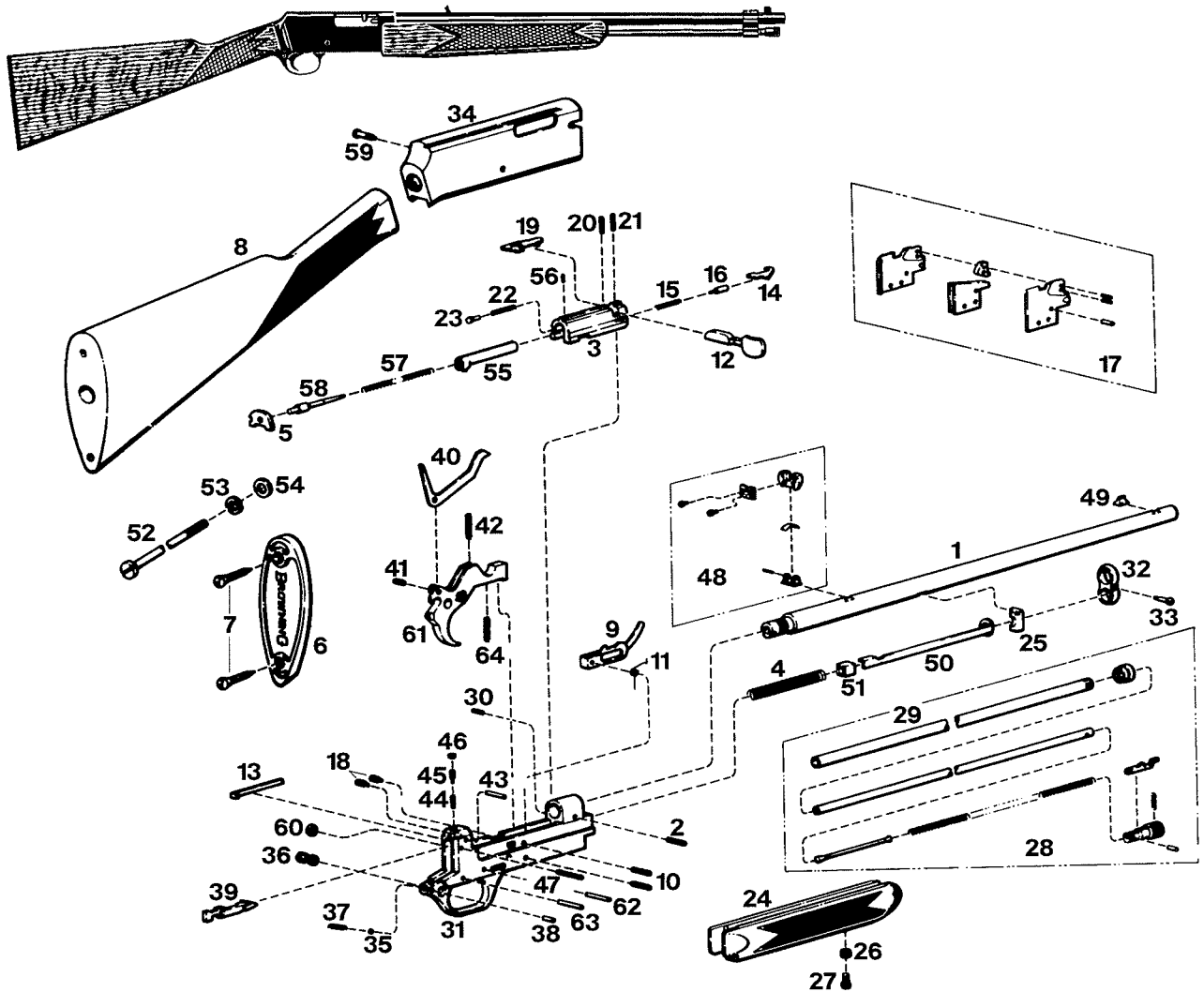
1	Action Rod	27	Forend	53	Safety Cross Bolt
2	Action Spring	28	Gas Cylinder	54	Safety Spring
3	Action Spring Guide	29	Gas Piston	55	Safety Spring Plunger
4	Barrel	30	Gas Regulator Gasket	56	Safety Spring Retaining Pin
5	Bolt Cover	31	Gas Regulator	57	Sear
6	Bolt Sleeve	32	Hammer	58	Sear Pin
7	Bolt	33	Hammer Pin	59	Sight Assembly
8	Buffer	34	Inertia Piece	60	Sight Bead
9	Buffer Plates	35	Magazine Floorplate Pivot Pin	61	Sight Hood
10	Buttplate	36	Magazine Floorplate Spring	62	Sight Ramp
11	Buttplate Screws	37	Magazine Floorplate	63	Sling Eyelet, Front
12	Buttstock	38	Magazine Latch	64	Sling Eyelet, Rear
13	Cam Pin	39	Magazine Latch Spring	65	Sling Eyelet Washer
14	Disconnecter	40	Magazine Latch Spring Plunger	66	Stock Bolt Plate
15	Disconnecter Pin	41	Magazine Latch Stop Pin	67	Stock Bolt
16	Disconnecter Spring	42	Magazine Retaining Spring	68	Stock Bolt Washer
17	Disconnecter Spring Plunger	43	Magazine Retaining Spring Pin	69	Support Rails
18	Ejector	44	Mainspring Guides	70	Telescope Mount Filler Screws
19	Ejector Retaining Pin	45	Mainspring Pin Hammer	71	Timing Latch
20	Ejector Spring	46	Mainspring Pin Trigger Guard	72	Timing Latch Retaining Pin
21	Extractor	47	Mainsprings	73	Trigger
22	Extractor Spring	48	Operating Handle	74	Trigger Guard
23	Firing Pin	49	Operating Handle Lock	75	Trigger Pin
24	Firing Pin Retaining Pin	50	Operating Handle Lock Pin	76	Magazine Assembly
25	Firing Pin Spring	51	Operating Handle Lock Spring		
26	Forend Escutcheon	52	Receiver		

BAR-22 Type II Autoloading Rifle



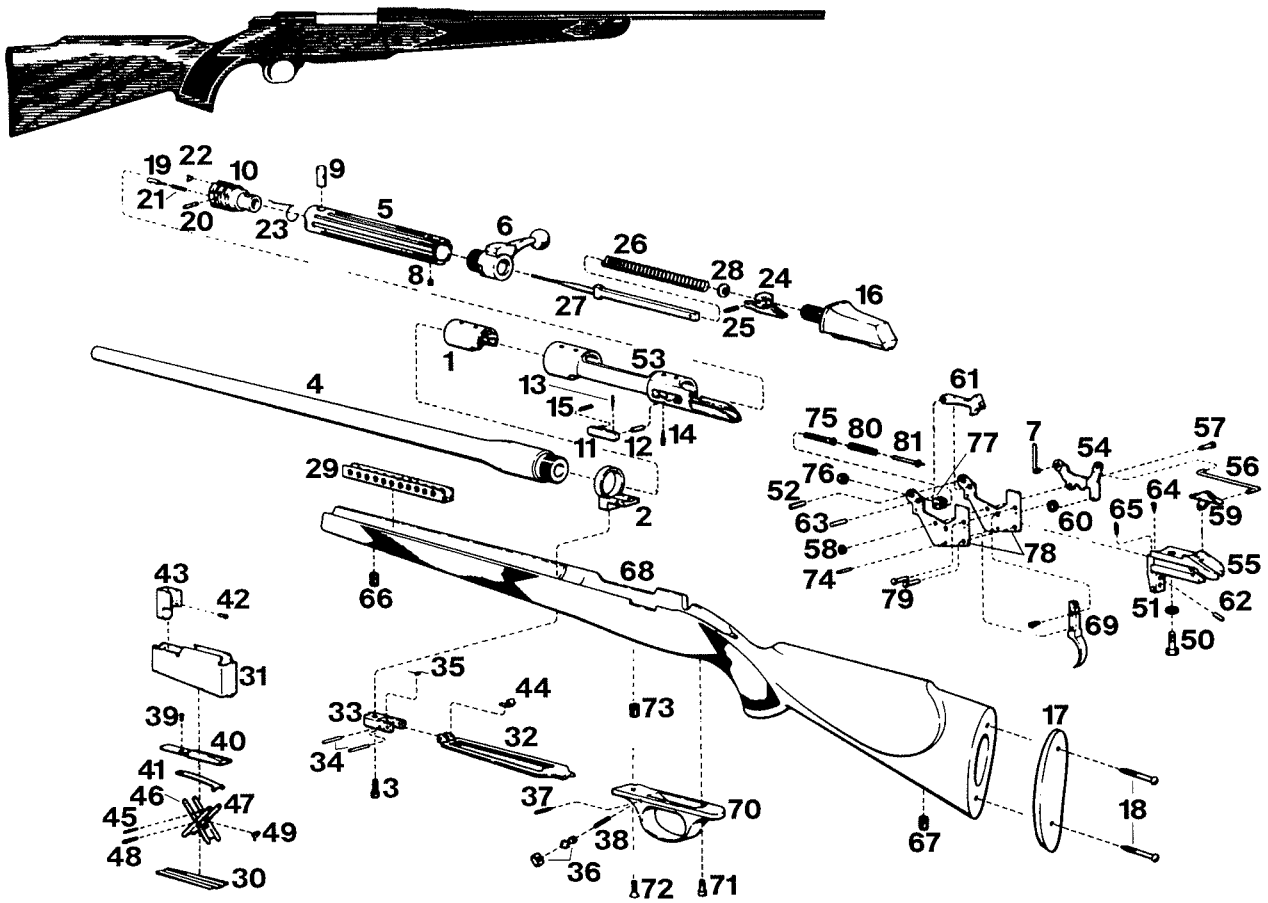
- | | | | |
|-----------|------------------------------------|-----------|-----------------------------|
| 1 | Barrel | 34 | Mechanism Housing Pin |
| 2 | Barrel Pin | 35 | Receiver |
| 3 | Bolt | 36 | Safety |
| 4 | Bolt Return Spring | 37 | Safety Spring |
| 5 | Buttplate | 38 | Safety Spring Follower |
| 6 | Buttplate Screws | 39 | Safety Spring Pin |
| 7 | Buttstock | 40 | Sear |
| 8 | Carrier | 41 | Sear Lever |
| 9 | Carrier Pin | 42 | Sear Lever Pin |
| 10 | Carrier Spring | 43 | Sear Lever Spring |
| 11 | Cocking Handle | 44 | Sear Pin |
| 12 | Ejector Bar | 45 | Sear Spring |
| 13 | Extractor | 46 | Sear Spring Screw |
| 14 | Extractor Pin | 47 | Sear Stop Pin |
| 15 | Extractor Spring | 48 | Rear Sight Assembly |
| 16 | Extractor Spring Follower | 49 | Front Sight Base |
| 17 | Feed Guide Assembly | 50 | Front Sight Base Screw |
| 18 | Firing Pin Ejector | 51 | Front Sight |
| 19 | Firing Pin Ejector Pin | 52 | Slide Arm with Rivet |
| 20 | Firing Pin Ejector Spring | 53 | Slide Arm Weight |
| 21 | Firing Pin Ejector Spring Follower | 54 | Stock Bolt |
| 22 | Forearm | 55 | Stock Bolt Lock Washer |
| 23 | Forearm Bracket | 56 | Stock Bolt Washer |
| 24 | Forearm Escutcheon | 57 | Striker |
| 25 | Forearm Screw | 58 | Striker Guide Pin |
| 26 | Lock Pin | 59 | Striker Spring |
| 27 | Inner Magazine Assembly | 60 | Striker Spring Guide |
| 28 | Magazine Tube Bracket | 61 | Takedown Screw |
| 29 | Magazine Tube Bracket Pin | 62 | Front Sight Pin |
| 30 | Magazine Tube Bracket Screw | 63 | Trigger |
| 31 | Outer Magazine Tube | 64 | Trigger Pin |
| 32 | Magazine Tube Retaining Screw | 65 | Trigger Spring |
| 33 | Mechanism Housing | 66 | Feed Guide Retaining Screws |

BAR-22 Type III Autoloading Rifle



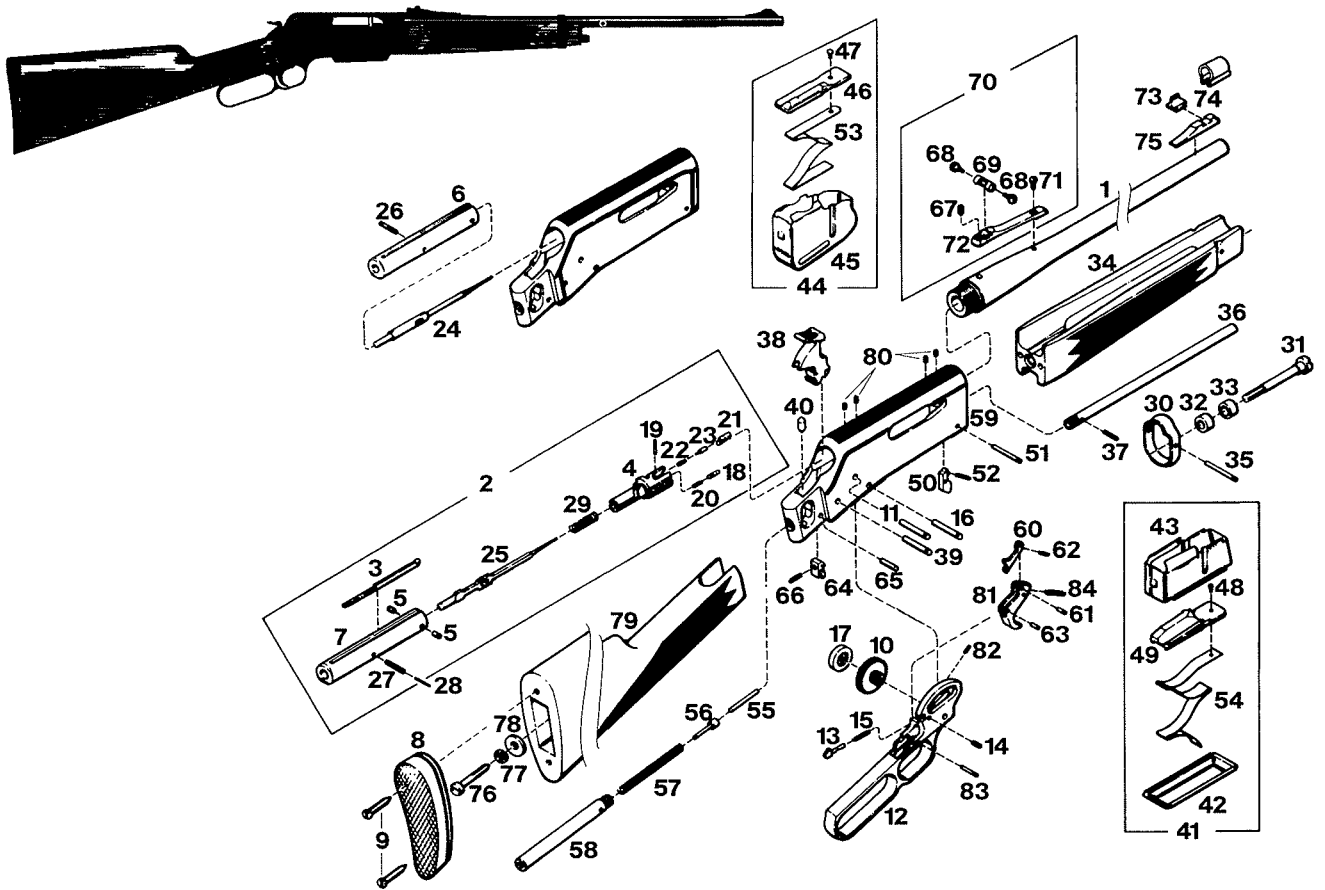
1	Barrel	23	Firing Pin Ejector Spring Follower	45	Sear Spring Screw
2	Barrel Pin	24	Forearm	46	Sear Spring Screw Nut
3	Bolt	25	Forearm Bracket	47	Sear Stop Pin
4	Bolt Return Spring	26	Forearm Escutcheon	48	Rear Sight Assembly
5	Buffer	27	Forearm Screw	49	Front Sight
6	Buttplate	28	Inner Magazine Assembly	50	Slide Arm with Rivet
7	Buttplate Screws	29	Outer Magazine Tube	51	Slide Arm Weight
8	Buttstock	30	Magazine Tube Retaining Screw	52	Stock Bolt
9	Carrier	31	Mechanism Housing	53	Stock Bolt Lock Washer
10	Carrier Pins	32	Muzzle Clamp	54	Stock Bolt Washer
11	Carrier Spring	33	Muzzle Clamp Screw	55	Striker
12	Cocking Handle	34	Receiver	56	Striker Guide Pin
13	Ejector Bar	35	Safety Ball	57	Striker Spring
14	Extractor	36	Safety	58	Striker Spring Guide
15	Extractor Spring	37	Safety Spring	59	Takedown Screw
16	Extractor Spring Follower	38	Safety Spring Pin	60	Takedown Screw Washer
17	Feed Guide Assembly	39	Sear	61	Trigger
18	Feed Guide Retaining Screws	40	Sear Lever	62	Trigger Pin
19	Firing Pin Ejector	41	Sear Lever Pin	63	Trigger Set Pin
20	Firing Pin Ejector Pin	42	Sear Lever Spring	64	Trigger Spring
21	Firing Pin Ejector Relief Pin	43	Sear Pin		
22	Firing Pin Ejector Spring	44	Sear Spring		

BBR Bolt-Action Rifle



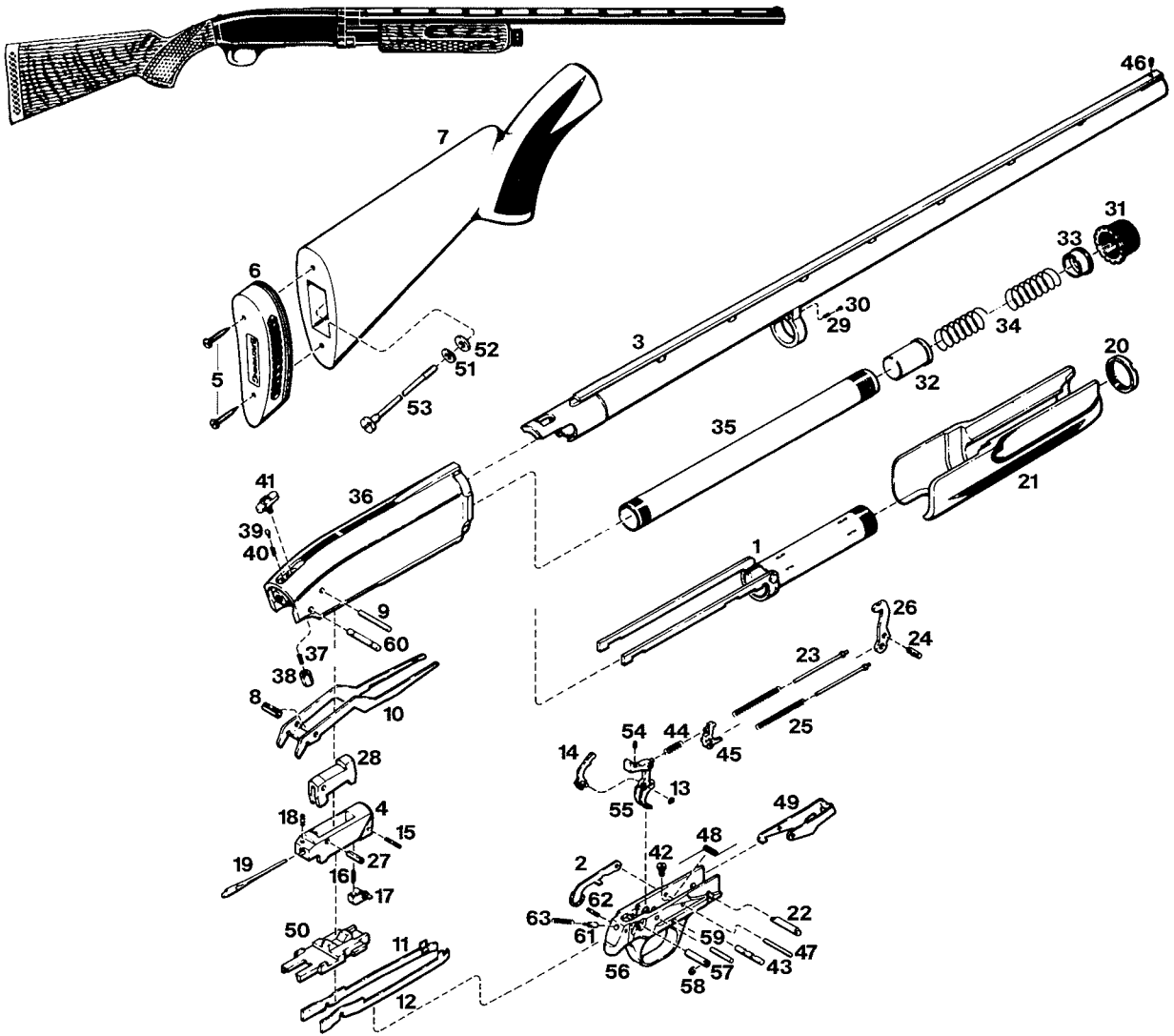
- | | | | | | |
|----|-------------------------|----|------------------------------------|----|--|
| 1 | Barrel Extension | 29 | Forearm Insert | 57 | Safety Pin |
| 2 | Barrel Mounting Block | 30 | Magazine Base | 58 | Safety Pin Snap Ring |
| 3 | Barrel Mounting Screw | 31 | Magazine Body | 59 | Safety Selector |
| 4 | Barrel | 32 | Magazine Floorplate | 60 | Safety Spring |
| 5 | Bolt Body | 33 | Magazine Floorplate Hinge | 61 | Sear |
| 6 | Bolt Handle | 34 | Magazine Floorplate Hinge Pins | 62 | Sear Adjusting Screw |
| 7 | Bolt Handle Lock | 35 | Magazine Floorplate Hinge Spring | 63 | Sear Pin |
| 8 | Bolt Handle Pin | 36 | Magazine Floorplate Latch Assembly | 64 | Sear Screw |
| 9 | Bolt Head Key Pin | 37 | Magazine Floorplate Latch Pin | 65 | Sear Spring |
| 10 | Bolt Head | 38 | Magazine Floorplate Latch Spring | 66 | Sling Swivel Base, Front |
| 11 | Bolt Retainer | 39 | Magazine Follower Rivet | 67 | Sling Swivel Base, Rear |
| 12 | Bolt Retainer Guide Pin | 40 | Magazine Follower | 68 | Stock |
| 13 | Bolt Retainer Pin | 41 | Magazine Follower Spring | 69 | Trigger |
| 14 | Bolt Retainer Screw | 42 | Magazine Ramp Rivet | 70 | Trigger Guard |
| 15 | Bolt Retainer Spring | 43 | Magazine Ramp | 71 | Rear Trigger Guard Screw |
| 16 | Bolt Shroud | 44 | Magazine Retainer Spring | 72 | Front Trigger Guard Screw |
| 17 | Buttplate | 45 | Magazine Spring Pin | 73 | Helicoil Trigger Guard Screw |
| 18 | Buttplate Screws | 46 | Inner Magazine Spring Strut | 74 | Trigger Pin |
| 19 | Ejector | 47 | Outer Magazine Spring Strut | 75 | Trigger Pull Adjusting Screw |
| 20 | Ejector Pin | 48 | Magazine Strut Pin | 76 | Trigger Pull Adjustment Screw Lock Nut |
| 21 | Ejector Spring | 49 | Magazine Strut Spring | 77 | Trigger Pull Adjustment Swivel |
| 22 | Extractor | 50 | Mechanism Housing Screw | 78 | Trigger Sideplates |
| 23 | Extractor Spring | 51 | Mechanism Housing Screw Washer | 79 | Trigger Sideplate Rivets |
| 24 | Firing Pin Sear | 52 | Mechanism Housing Set Pin | 80 | Trigger Spring |
| 25 | Firing Pin Sear Pin | 53 | Mechanism Housing | 81 | Trigger Spring Rod |
| 26 | Firing Pin Spring | 54 | Safety | | |
| 27 | Firing Pin | 55 | Safety Block | | |
| 28 | Firing Pin Washer | 56 | Safety Link | | |

BLR and Model '81 BLR Lever-Action Rifle



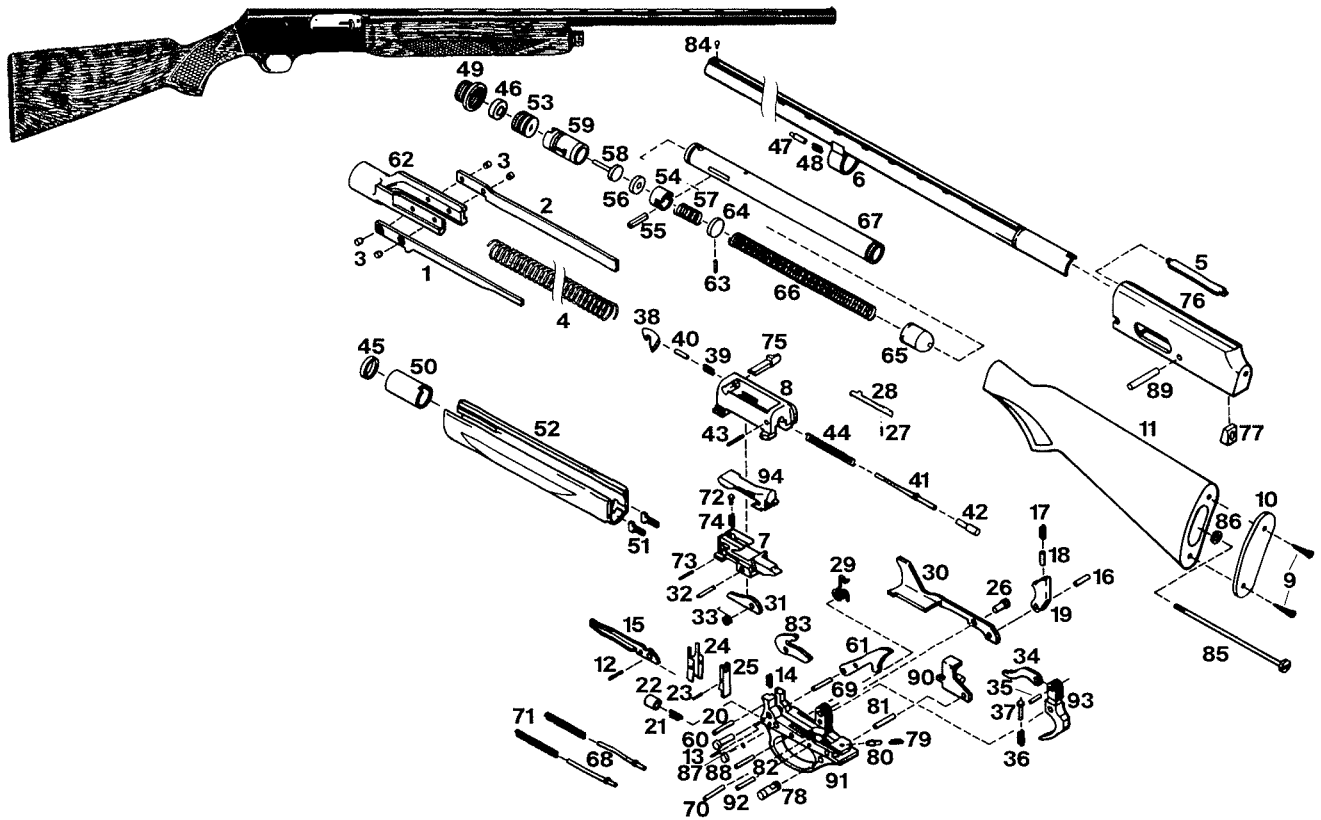
1	Barrel	30	Forearm Band	59	Receiver
2	Bolt Assembly	31	Forearm Bolt	60	Sear Link
3	Breech Bolt Guide	32	Forearm Bolt Spacer, Inner	61	Sear Link Pin
4	Breech Bolt Lock	33	Forearm Bolt Spacer, Outer	62	Sear Link Spring
5	Breech Bolt Pins	34	Forearm	63	Sear Link Stop Pin
6	Breech Bolt Slide (BLR)	35	Forearm Pin	64	Sear
7	Breech Bolt Slide (M'81)	36	Forearm Tube	65	Sear Pin
8	Buttplate	37	Forearm Tube Pin	66	Sear Spring
9	Buttplate Screws	38	Hammer	67	Rear Sight Elevation Adjusting Screw
10	Cocking Gear	39	Hammer Pin	68	Rear Sight Windage Adjusting Screws
11	Cocking Gear Pin	40	Hammer Stop	69	Rear Sight Aperture
12	Cocking Lever	41	Magazine Assembly (M'81)	70	Rear Sight Assembly
13	Cocking Lever Latch	42	Magazine Base (M'81)	71	Rear Sight Base Mounting Screw
14	Cocking Lever Latch Pin	43	Magazine Body (M'81)	72	Rear Sight Base
15	Cocking Lever Latch Spring	44	Magazine Assembly (BLR)	73	Front Sight
16	Cocking Lever Pin	45	Magazine Body (BLR)	74	Front Sight Hood
17	Cocking Lever Stop	46	Magazine Follower (BLR)	75	Front Sight Ramp
18	Ejector	47	Magazine Follower Rivet (BLR)	76	Stock Bolt
19	Ejector Pin	48	Magazine Follower Rivet (M'81)	77	Stock Bolt Lock Washer
20	Ejector Spring	49	Magazine Follower (M'81)	78	Stock Bolt Washer
21	Extractor	50	Magazine Latch	79	Stock
22	Extractor Spring	51	Magazine Latch Pin	80	Telescope Mount Filler Screws
23	Extractor Spring Follower	52	Magazine Latch Spring	81	Trigger
24	Firing Pin (BLR)	53	Magazine Spring (BLR)	82	Trigger Adjusting Screw
25	Firing Pin (M'81)	54	Magazine Spring (M'81)	83	Trigger Pin
26	Firing Pin Retaining Pin	55	Mainspring Follower	84	Trigger Spring
27	Inner Firing Pin Retaining Pin	56	Mainspring Guide		
28	Outer Firing Pin Retaining Pin	57	Mainspring	Parts Not Shown	
29	Firing Pin Spring	58	Mainspring Tube		Front Sling Eyelet
					Rear Sling Eyelet

BPS Slide-Action Shotgun



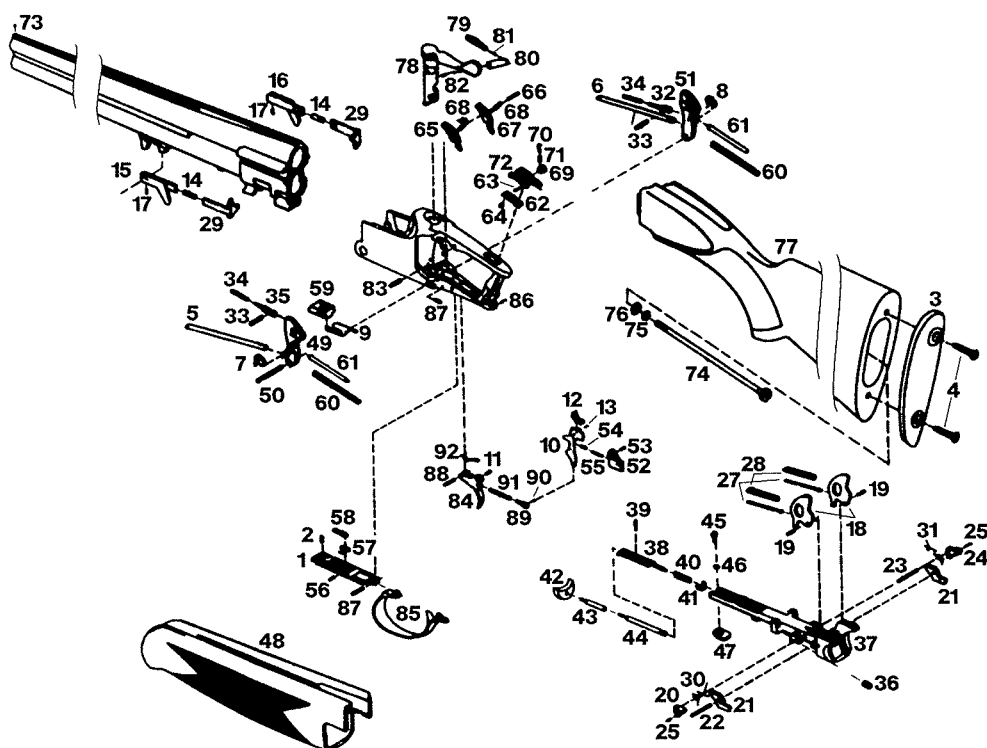
1	Action Bar Assembly	22	Hammer Pin	43	Sear Pin
2	Action Slide Lock Release	23	Hammer Spring Guides	44	Sear Spring
3	Barrel Extension	24	Hammer Spring Pin	45	Sear
4	Bolt	25	Hammer Springs	46	Front Sight Bead
5	Buttplate Screws	26	Hammer	47	Slide Lock Pin
6	Buttplate	27	Lock Pin	48	Slide Lock Spring
7	Buttstock	28	Lock	49	Slide Lock Stop
8	Carrier Pin Retainer	29	Magazine Cap Stop Spring	50	Slide
9	Carrier Pin	30	Magazine Cap Stopper	51	Stock Bolt Lock Washer
10	Carrier	31	Magazine Cap	52	Stock Bolt Washer
11	Cartridge Stop, Left	32	Magazine Follower	53	Stock Bolt
12	Cartridge Stop, Right	33	Magazine Spring Retainer	54	Trigger Adjusting Screw
13	Disconnecter Assembly Retainer	34	Magazine Spring	55	Trigger
14	Disconnecter Assembly	35	Magazine Tube	56	Trigger Guard
15	Extractor Pin	36	Receiver	57	Trigger Guide Bushing
16	Extractor Spring	37	Safety Adjusting Screw	58	Trigger Guide Bushing Spring
17	Extractor	38	Safety Nut	59	Trigger Pin
18	Firing Pin Retaining Pin	39	Safety Plunger	60	Trigger Guide Pin
19	Firing Pin	40	Safety Spring	61	Trigger Spring Follower
20	Forearm Screw	41	Safety	62	Trigger Spring Pin
21	Forearm	42	Sear Adjusting Screw	63	Trigger Spring

B-2000 Autoloading Shotgun



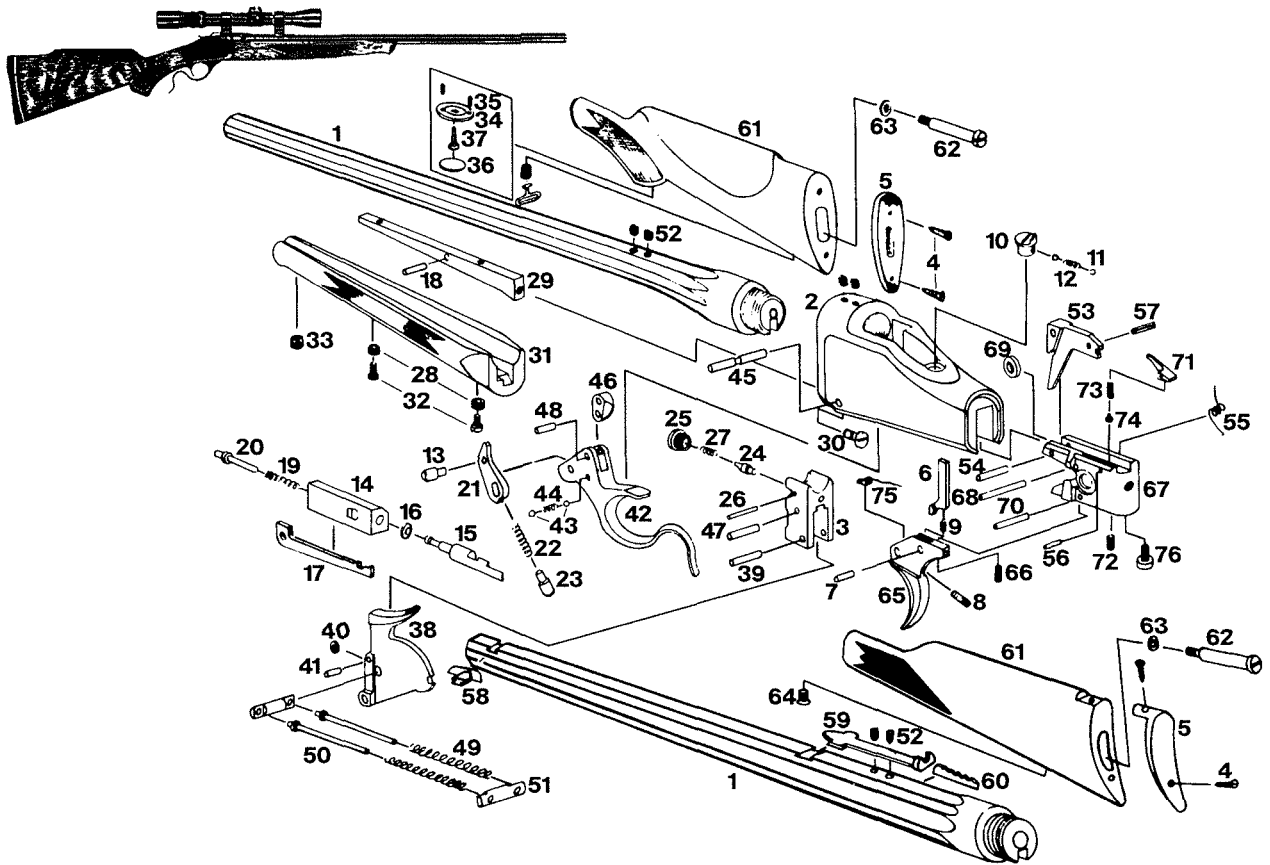
1	Action Bar, Left	33	Cartridge Stop Spring	65	Magazine Follower
2	Action Bar, Right	34	Disconnecter	66	Magazine Spring
3	Action Bar Rivets	35	Disconnecter Pin	67	Magazine Tube
4	Action Spring	36	Disconnecter Spring	68	Mainspring Guides
5	Barrel Guide	37	Disconnecter Spring Plunger	69	Mainspring Hammer Pin
6	Barrel Ring	38	Extractor	70	Mainspring Trigger Guard Pin
7	Bolt Slide	39	Extractor Spring	71	Mainsprings
8	Bolt	40	Extractor Spring Plunger	72	Operating Handle Retainer
9	Buttplate Screws	41	Firing Pin	73	Operating Handle Retaining Pin
10	Buttplate	42	Firing Pin Bushing	74	Operating Handle Retaining Spring
11	Buttstock	43	Firing Pin Bushing Pin	75	Operating Handle
12	Carrier Cartridge Limit Pin	44	Firing Pin Spring	76	Receiver Assembly
13	Carrier Cartridge Pin	45	Forearm Bushing	77	Receiver Buffer
14	Carrier Cartridge Spring	46	Forearm Cap Buffer	78	Safety Crossbolt
15	Carrier Cartridge Stop	47	Forearm Cap Plunger	79	Safety Spring
16	Carrier Dog Pin	48	Forearm Cap Plunger Spring	80	Safety Spring Plunger
17	Carrier Dog Spring	49	Forearm Cap	81	Safety Spring Retaining Pin
18	Carrier Dog Spring Guide	50	Forearm Liner	82	Sear Pin
19	Carrier Dog	51	Forearm Tabs	83	Sear
20	Carrier Latch Pin	52	Forearm	84	Front Sight Bead
21	Carrier Latch Spring	53	Gas Cylinder Plug	85	Stock Bolt
22	Carrier Latch Spring Plunger	54	Gas Piston Bar Guide	86	Stock Bolt Washer
23	Carrier Latch Trip Pin	55	Gas Piston Bar	87	Trigger Guard Retaining Pin
24	Carrier Latch Trip	56	Gas Piston Buffer		Bushing
25	Carrier Latch	57	Gas Piston Spring	88	Trigger Guard Retaining Pin Spring
26	Carrier Pin	58	Gas Piston Valve	89	Trigger Guard Retaining Pin
27	Carrier Release Pin	59	Gas Piston	90	Trigger Guard Shield
28	Carrier Release	60	Hammer Pin	91	Trigger Guard
29	Carrier Spring	61	Hammer	92	Trigger Pin
30	Carrier	62	Inertia Piece with Action Bars	93	Trigger
31	Cartridge Stop	63	Magazine Base Pin	94	Locking Block
32	Cartridge Stop Pin	64	Magazine Base		

B-27 Over/Under Shotgun



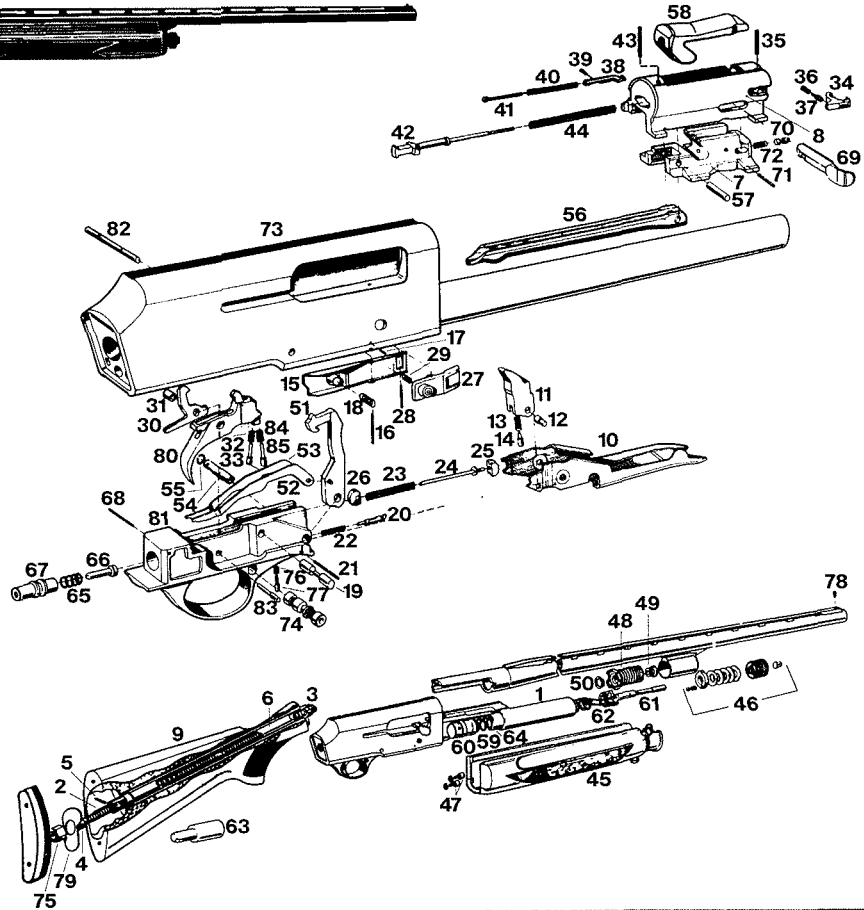
1	Bottom Plate	33	Firing Pin Pin	61	Mainspring Guide
2	Bottom Plate Screw	34	Firing Pin Spring	62	Safety Spring
3	Buttplate	35	Firing Pin, Upper	63	Safety Spring Pin
4	Buttplate Screws	36	Forearm Bracket Adjusting Screw	64	Safety Spring Screw
5	Cocking Rod, Left	37	Forearm Bracket	65	Sear, Left
6	Cocking Rod, Right	38	Forearm Bracket Lock	66	Sear Pin
7	Cocking Rod Spring, Left	39	Forearm Bracket Lock Pin	67	Sear, Right
8	Cocking Rod Spring, Right	40	Forearm Bracket Lock Spring	68	Sear Spring
9	Connector Cam	41	Forearm Bracket Lock Spring Retain- ing Plate	69	Selector Block
10	Connector	42	Forearm Bracket Release Button	70	Selector Block Spring Guide
11	Connector Pin	43	Forearm Bracket Release Button Push Rod, Front	71	Selector Block Spring
12	Connector Selector	44	Forearm Bracket Release Button Push Rod, Rear	72	Selector Safety
13	Connector Selector Pin	45	Forearm Bracket Screw, Front	73	Front Sight Bead Field
14	Ejector Connectors	46	Forearm Bracket Screw Washer, Front	74	Stock Bolt
15	Ejector Extension, Left	47	Forearm Bracket Screw Plate	75	Stock Bolt Lock Washer
16	Ejector Extension, Right	48	Forearm	76	Stock Bolt Washer
17	Ejector Extension Stop Pins	49	Hammer, Left	77	Stock
18	Ejector Hammers	50	Hammer Pivot Pin	78	Top Lever
19	Ejector Hammer Pins	51	Hammer, Right	79	Top Lever Spring
20	Ejector Hammer Sear, Left	52	Inertia Block	80	Top Lever Spring Retainer
21	Ejector Hammer Sear Lever	53	Inertia Block Pin	81	Top Lever Spring Retainer Pin
22	Ejector Hammer Sear Lever Pin	54	Inertia Block Spring Guide	82	Top Lever Spring Retainer Spring
23	Ejector Hammer Sear Pin	55	Inertia Block Spring	83	Top Lever Stop Pin
24	Ejector Hammer Sear, Right	56	Lock Open Latch Pin	84	Trigger
25	Ejector Hammer Sear Spring Pins	57	Lock Open Latch Spring	85	Trigger Guard
26	Ejector Hammer Sear Spring	58	Lock Open Latch	86	Rear Trigger Guard Pin
27	Ejector Hammer Spring Guides	59	Locking Bolt	87	Trigger Guard/Bottom Plate Pin
28	Ejector Hammer Springs	60	Mainspring	88	Trigger Pin
29	Ejector			89	Trigger Piston
30	Ejector Sear Spring, Left			90	Trigger Piston Pin
31	Ejector Sear Spring, Right			91	Trigger Piston Spring
32	Firing Pin, Lower			92	Trigger Spring

B-78 Single Shot Rifle



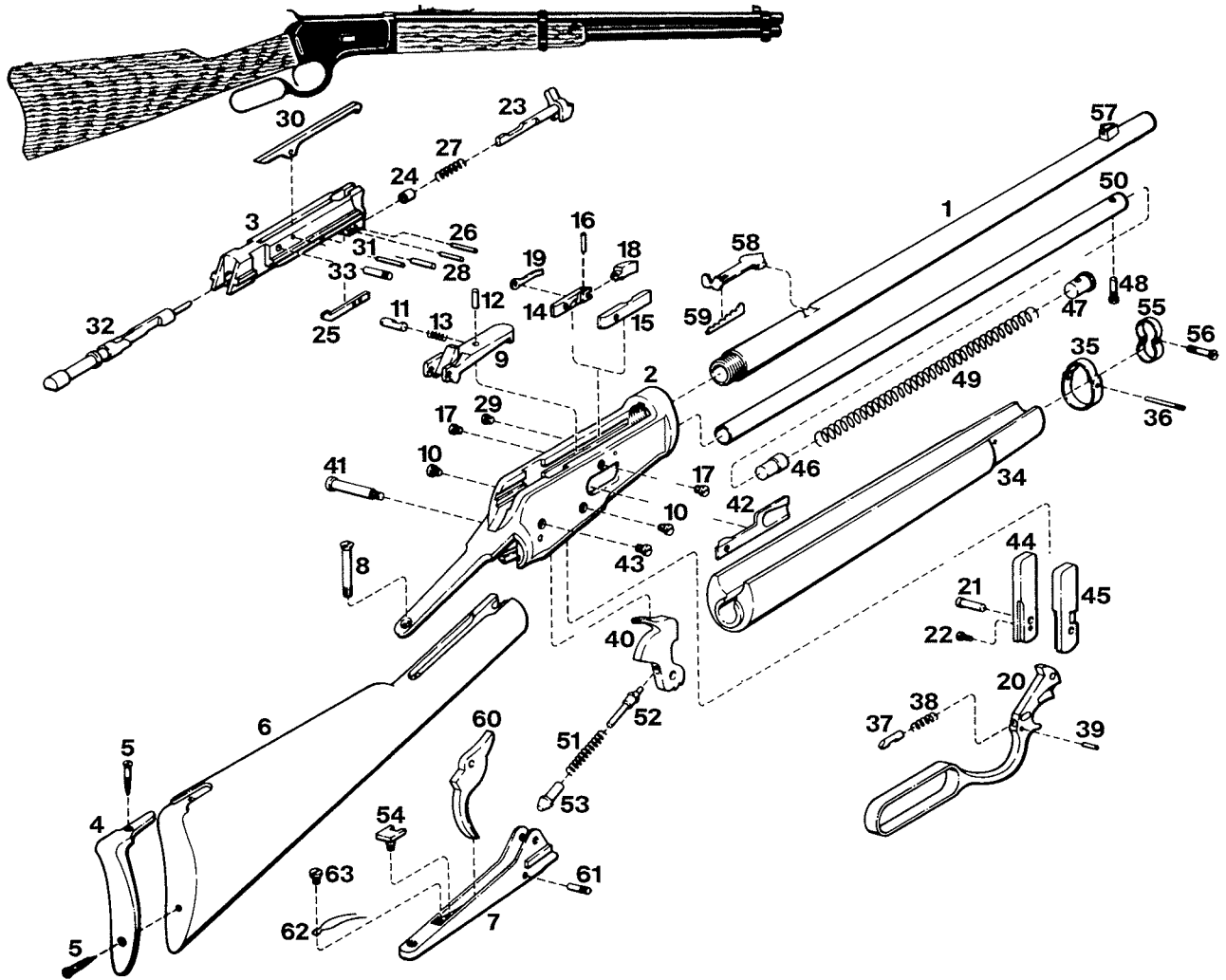
1	Barrel	27	Firing Pin Spring	53	Sear
2	Receiver	28	Forearm Escutcheons	54	Sear Pin
3	Breechblock	29	Forearm Hanger	55	Sear Spring
4	Buttplate Screws	30	Forearm Hanger Bolt	56	Sear Spring Pin
5	Buttplate	31	Forearm	57	Sear Spring Rest Pin
6	Connector	32	Forearm Screws	58	Front Sight Assembly
7	Connector Pin	33	Forearm Swivel Base	59	Rear Sight
8	Connector Screw	34	Grip Cap	60	Rear Sight Step
9	Connector Spring	35	Grip Cap Pin	61	Stock
10	Deflector	36	Grip Cap Plate	62	Stock Bolt
11	Deflector Ball	37	Grip Cap Screw	63	Stock Bolt Washer
12	Deflector Ball Spring	38	Hammer	64	Stock Swivel Base
13	Ejector Connecting Pin	39	Hammer Pin	65	Trigger
14	Ejector Hammer	40	Hammer Roller	66	Trigger Backlash Adjusting Screw
15	Ejector Hammer Extension	41	Hammer Roller Rivet	67	Trigger Housing
16	Ejector Hammer Extension Washer	42	Lever	68	Trigger Housing Pin
17	Ejector Hammer Sear	43	Lever Latch Balls	69	Trigger Housing Spacer
18	Ejector Hammer Sear Pin	44	Lever Latch Ball Spring	70	Trigger Pin
19	Ejector Hammer Spring	45	Lever Pin	71	Trigger Pull Adjusting Lever
20	Ejector Hammer Spring Guide	46	Link	72	Trigger Pull Adjusting Screw
21	Extractor	47	Link Breech Block Pin	73	Trigger Pull Adjusting Spring
22	Extractor Spring	48	Link Lever Pin	74	Trigger Pull Adjusting Spring Follower
23	Extractor Spring Plunger	49	Mainsprings	75	Trigger Spring
24	Firing Pin	50	Mainspring Guides	76	Trigger Take-Up Screw
25	Firing Pin Bushing	51	Mainspring Pins		
26	Firing Pin Bushing Pin	52	Scope Mount Filler Screws		

B-80 Autoloading Shotgun



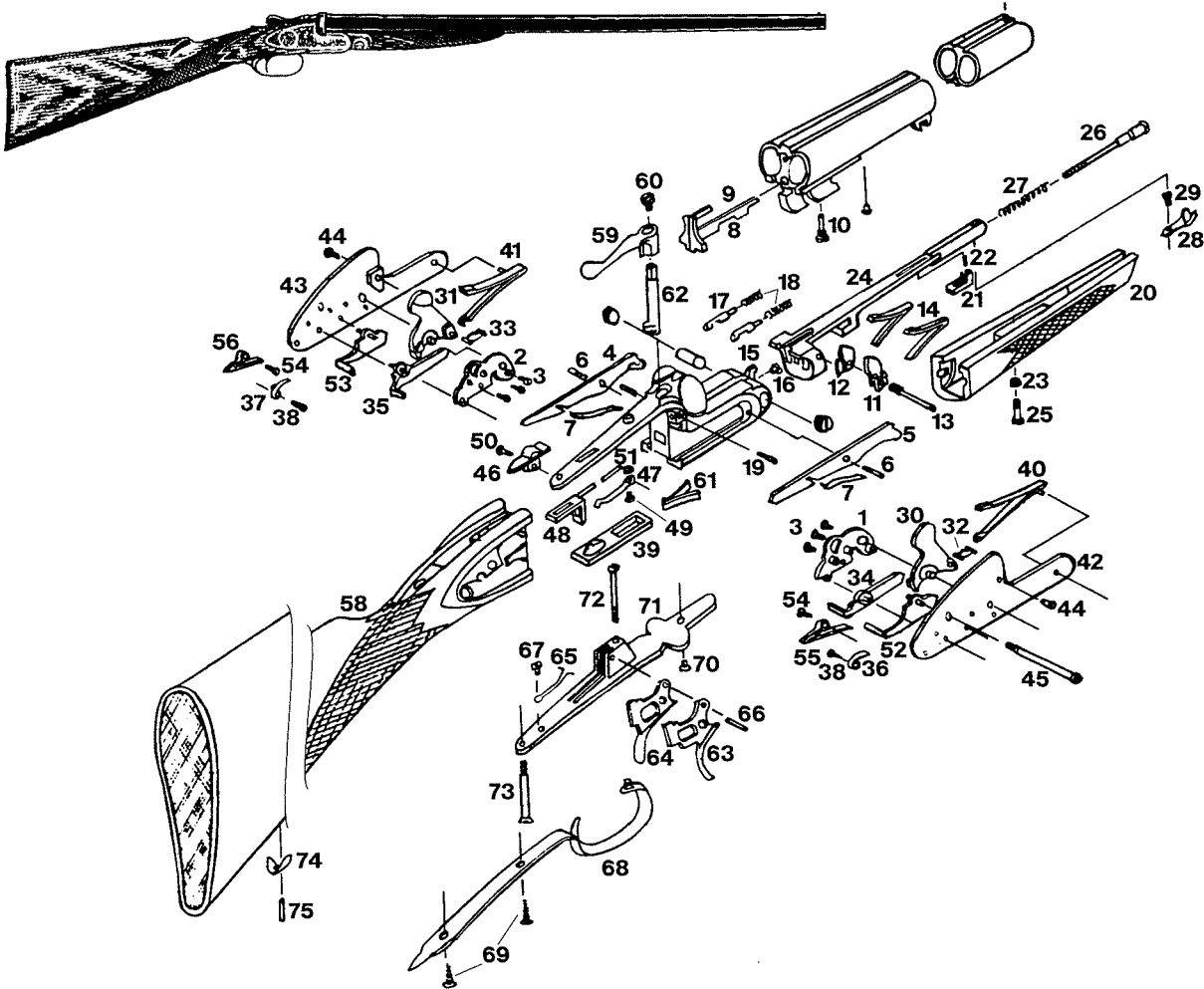
1	Action Bar and Sleeve	30	Disconnecter	59	Magazine Spring
2	Action Spring	31	Disconnecter Pin	60	Magazine Spring Follower
3	Action Spring Follower	32	Disconnecter Spring	61	Magazine Spring Retainer and Forearm Cap Stud
4	Action Spring Plug	33	Disconnecter Spring Guide	62	Magazine Spring Retainer Lock Spring
5	Action Spring Plug Pin	34	Extractor	63	Magazine Three-Shot Adaptor
6	Action Tube	35	Extractor Pin	64	Magazine Tube
7	Bolt Slide	36	Extractor Spring	65	Mainspring
8	Breechbolt	37	Extractor Spring Plunger	66	Mainspring Guide
9	Buttstock	38	Ejector	67	Mainspring Support
10	Carrier	39	Ejector Pin	68	Mainspring Support Pin
11	Carrier Dog	40	Ejector Spring	69	Operating Handle
12	Carrier Dog Pin	41	Ejector Spring Follower	70	Operating Handle Retainer
13	Carrier Dog Spring	42	Firing Pin	71	Operating Handle Retainer Pin
14	Carrier Dog Spring Follower	43	Firing Pin Retaining Pin	72	Operating Handle Retainer Spring
15	Carrier Latch	44	Firing Pin Spring	73	Receiver
16	Carrier Latch Pin	45	Forearm	74	Safety
17	Carrier Latch Lock Pin	46	Forearm Cap Assembly with Eyelet	75	Recoil Pad
18	Carrier Latch Spring	47	Forearm Guide Screws	76	Safety Spring
19	Carrier Pin	48	Gas Piston	77	Safety Spring Follower
20	Carrier Release	49	Gas Piston Seal	78	Front Sight Bead
21	Carrier Release Pin	50	Gas Pin Seal Retaining Ring	79	Stock Retaining Plate
22	Carrier Release Spring	51	Hammer	80	Trigger
23	Carrier Spring	52	Hammer Bar, Right	81	Trigger Guard
24	Carrier Spring Guide	53	Hammer Bar, Left	82	Trigger Guard Retaining Pin
25	Carrier Spring Guide Pivot, Front	54	Hammer Pin	83	Trigger Pin
26	Carrier Spring Guide Pivot, Rear	55	Hammer Pin Circlip	84	Trigger Spring
27	Cartridge Stop Button	56	Link	85	Trigger Spring Plunger
28	Cartridge Stop Pin	57	Link Pin		
29	Cartridge Stop Spring	58	Locking Bolt		

B-92 Lever-Action Rifle



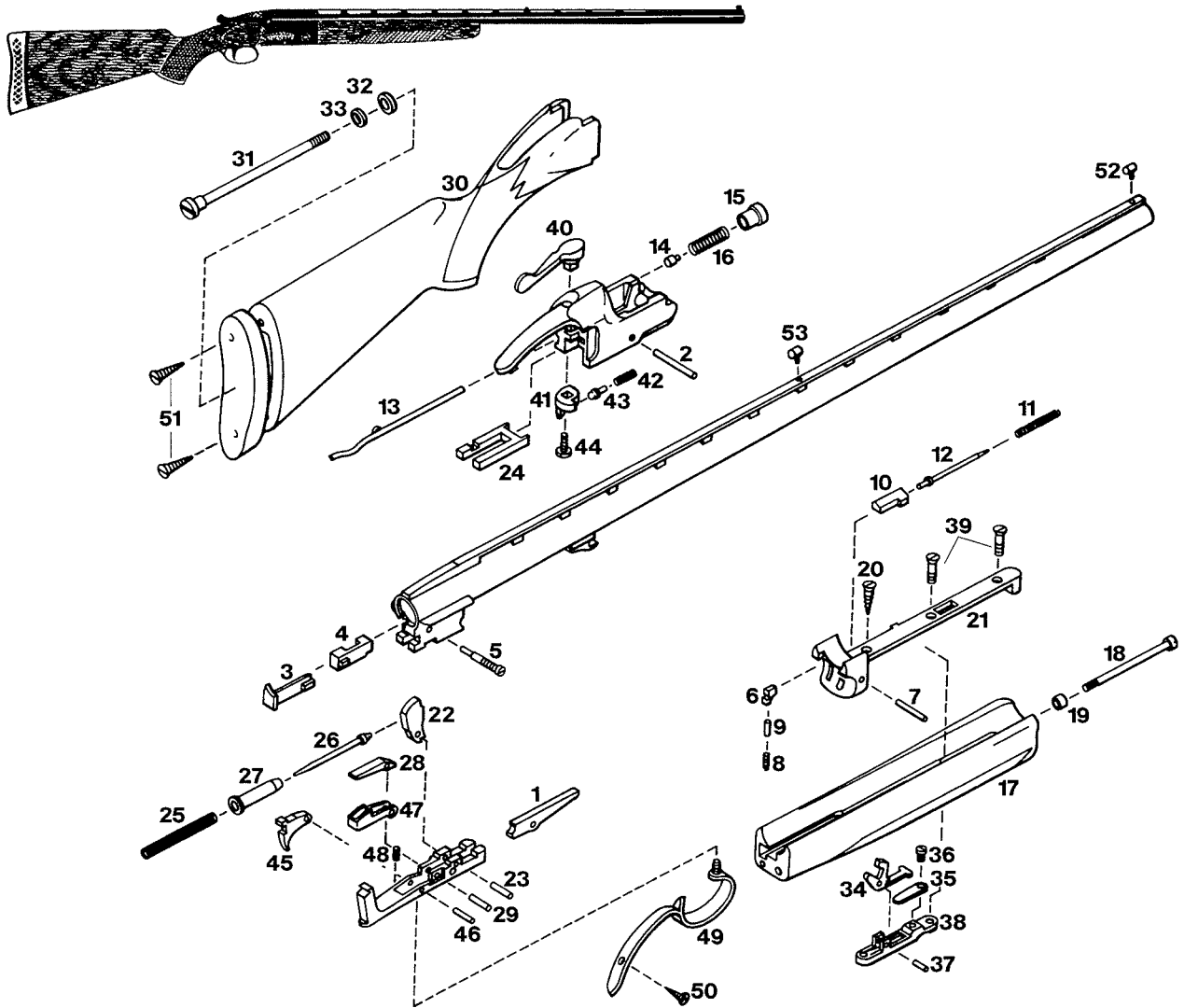
1	Barrel	22	Cocking Lever Stop Screw	43	Loading Gate Cover Screw
2	Receiver	23	Ejector	44	Locking Bolt, Left
3	Breechbolt	24	Ejector Collar	45	Locking Bolt, Right
4	Buttplate	25	Ejector Collar Stop	46	Magazine Follower
5	Buttplate Screws	26	Ejector Collar Stop Pin	47	Magazine Plug
6	Buttstock	27	Ejector Spring	48	Magazine Plug Screw
7	Buttstock Lower Tang	28	Ejector Stop Pin	49	Magazine Spring
8	Buttstock Tang Screw	29	Ejector Stop Pin Plug Screw	50	Magazine Tube
9	Carrier	30	Extractor	51	Mainspring
10	Carrier Screw	31	Extractor Pin	52	Mainspring Guide, Inner
11	Carrier Striker	32	Firing Pin	53	Mainspring Guide, Outer
12	Carrier Striker Pin	33	Firing Pin Stop Pin	54	Mainspring Guide Stud
13	Carrier Striker Spring	34	Forearm	55	Muzzle Clamp
14	Cartridge Guide, Left	35	Forearm Band	56	Muzzle Clamp Screw
15	Cartridge Guide, Right	36	Forearm Band Pin	57	Front Sight Assembly
16	Cartridge Guide Pin	37	Friction Stud	58	Rear Sight
17	Cartridge Guide Screw	38	Friction Stud Spring	59	Rear Sight Elevator
18	Cartridge Stop	39	Friction Stud Stop Pin	60	Trigger
19	Cartridge Stop Spring	40	Hammer	61	Trigger Pin
20	Cocking Lever	41	Hammer Screw	62	Trigger Spring
21	Cocking Lever Pin	42	Loading Gate Cover	63	Trigger Spring Screw

B-SS Side-by-Side Shotgun



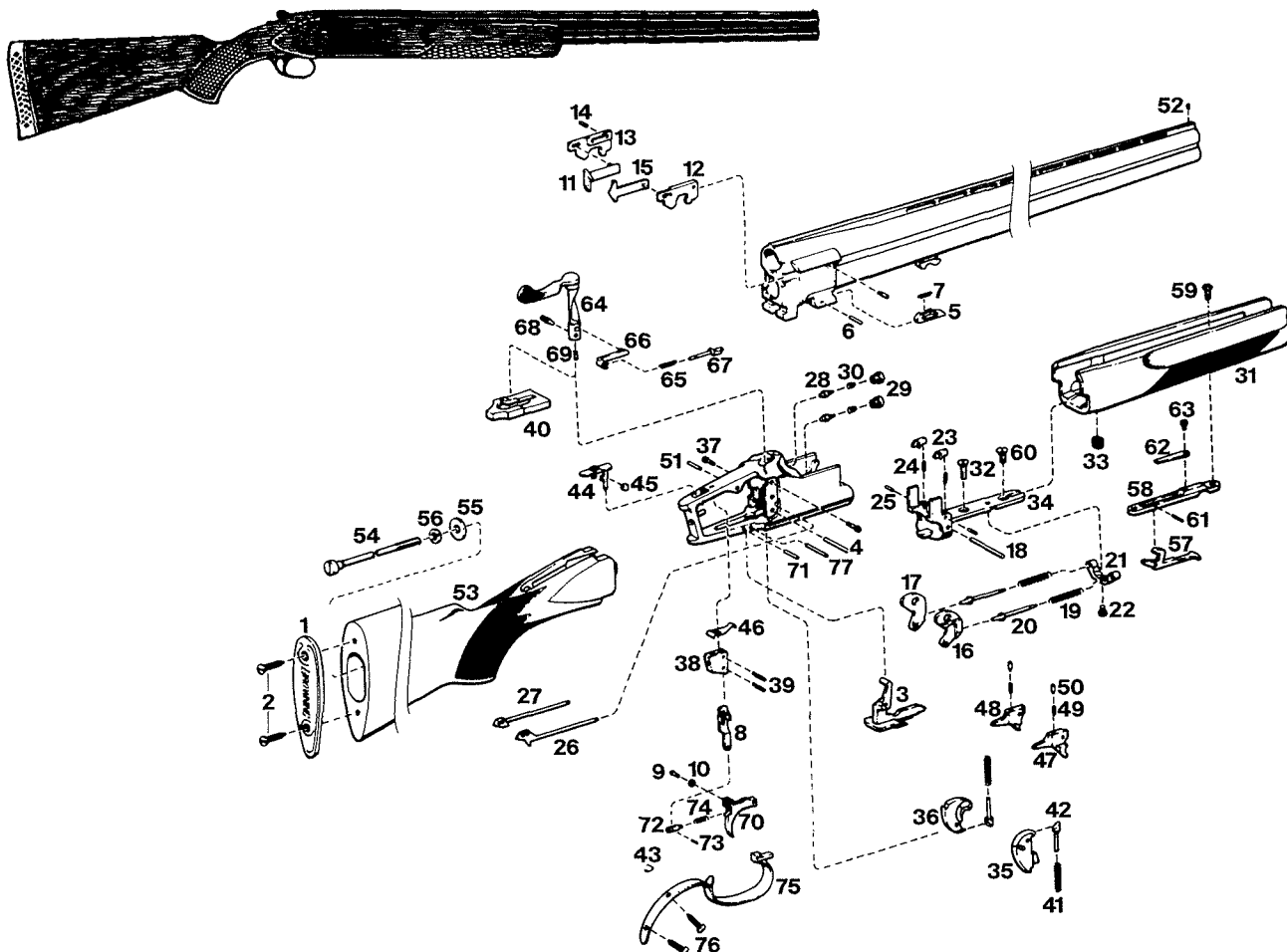
- | | | | | | |
|----|------------------------|----|------------------------------------|----|-----------------------------|
| 1 | Bridle, Right | 26 | Forearm Push Down Rod | 51 | Safety Washer |
| 2 | Bridle, Left | 27 | Forearm Push Down Spring | 52 | Sear, Right |
| 3 | Bridle Screws | 28 | Forearm Tip | 53 | Sear, Left |
| 4 | Cocking Lever, Left | 29 | Forearm Tip Screw | 54 | Sear Spring Screw |
| 5 | Cocking Lever, Right | 30 | Hammer, Right | 55 | Sear Spring, Right |
| 6 | Cocking Lever Screws | 31 | Hammer, Left | 56 | Sear Spring, Left |
| 7 | Cocking Lever Springs | 32 | Hammer/Mainspring Connector, Right | 57 | Front Sight |
| 8 | Ejector, Right | 33 | Hammer/Mainspring Connector, Left | 58 | Stock |
| 9 | Ejector, Left | 34 | Intercepting Safety, Right | 59 | Top Lever |
| 10 | Ejector Stop Screw | 35 | Intercepting Safety, Left | 60 | Top Lever Screw |
| 11 | Ejector Hammer, Right | 36 | Intercepting Safety Spring, Right | 61 | Top Lever Spring |
| 12 | Ejector Hammer, Left | 37 | Intercepting Safety Spring, Left | 62 | Top Lever Dog Shaft |
| 13 | Ejector Hammer Pin | 38 | Intercepting Safety Spring Screws | 63 | Trigger, Right |
| 14 | Ejector Hammer Springs | 39 | Locking Bolt | 64 | Trigger, Left |
| 15 | Ejector Trip | 40 | Mainspring, Right | 65 | Trigger Spring |
| 16 | Ejector Trip Screw | 41 | Mainspring, Left | 66 | Trigger Pin |
| 17 | Firing Pins | 42 | Sideplate, Right | 67 | Trigger Spring Screw |
| 18 | Firing Pin Springs | 43 | Sideplate, Left | 68 | Trigger Guard |
| 19 | Firing Pin Screw | 44 | Sideplate Screws, Short | 69 | Trigger Guard Screws |
| 20 | Forearm | 45 | Sideplate Screw, Long | 70 | Trigger Plate Screw, Front |
| 21 | Forearm Catch | 46 | Safety | 71 | Trigger Plate |
| 22 | Forearm Catch Screw | 47 | Safety Spring | 72 | Trigger Plate Screw, Center |
| 23 | Forearm Escutcheon | 48 | Safety-Lever | 73 | Trigger Plate Screw, Rear |
| 24 | Forearm Bracket | 49 | Safety Spring Screw | 74 | Initial Plate |
| 25 | Forearm Bracket Screw | 50 | Safety-Lever Screw | 75 | Initial Plate Pin |

BT-99 Single Shot Shotgun



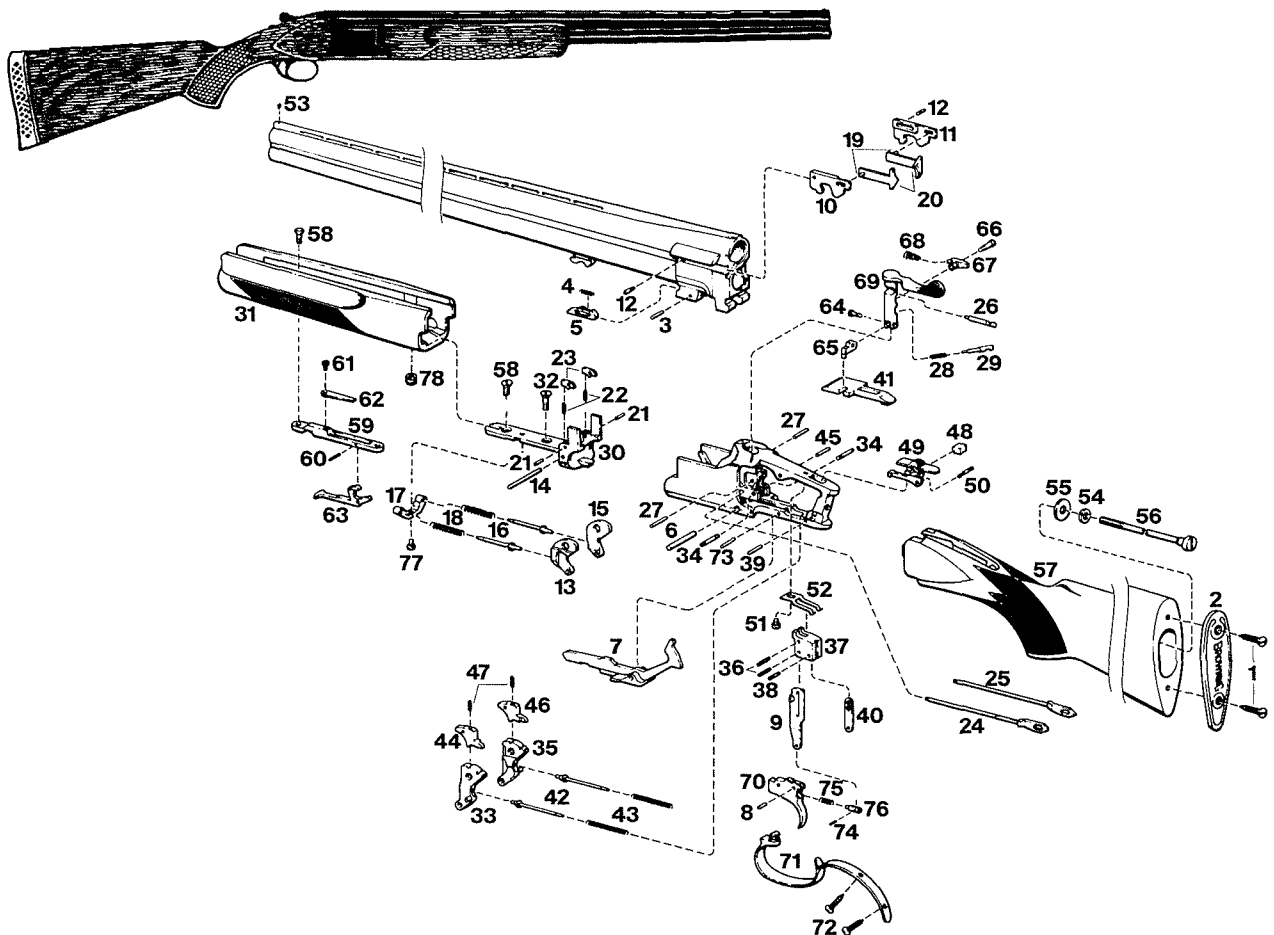
1	Cocking Lever	20	Forearm Screw	39	Takedown Lever Bracket Screws
2	Cocking Lever Pin	21	Forearm Bracket	40	Top Lever
3	Ejector	22	Hammer	41	Top Lever Dog
4	Ejector Extension	23	Hammer Pin	42	Top Lever Dog Spring
5	Ejector Stop Screw	24	Locking Bolt	43	Top Lever Dog Spring Guide
6	Ejector Sear	25	Mainspring	44	Top Lever Screw
7	Ejector Sear Pin	26	Mainspring Guide	45	Trigger
8	Ejector Sear Spring	27	Mainspring Sleeve	46	Trigger Pin
9	Ejector Sear Spring Follower	28	Sear	47	Trigger Safety
10	Ejector Hammer	29	Sear Pin	48	Trigger Spring
11	Ejector Hammer Spring	30	Stock Trap with Buttpad	49	Trigger Guard
12	Ejector Hammer Spring Guide	31	Stock Bolt	50	Trigger Guard Screw
13	Ejector Trip Rod	32	Stock Bolt Washer	51	Buttpad Screws
14	Firing Pin	33	Stock Bolt Lock Washer	52	Front Sight
15	Firing Pin Bushing	34	Takedown Lever	53	Middle Sight
16	Firing Pin Spring	35	Takedown Lever Spring		
17	Forearm	36	Takedown Lever Spring Screw		
18	Forearm Bolt	37	Takedown Lever Pin		
19	Forearm Bolt Escutcheon	38	Takedown Lever Bracket		
				Parts Not Shown	
					Sear Spring
					Tang Piece

Citori Original Over/Under Shotgun



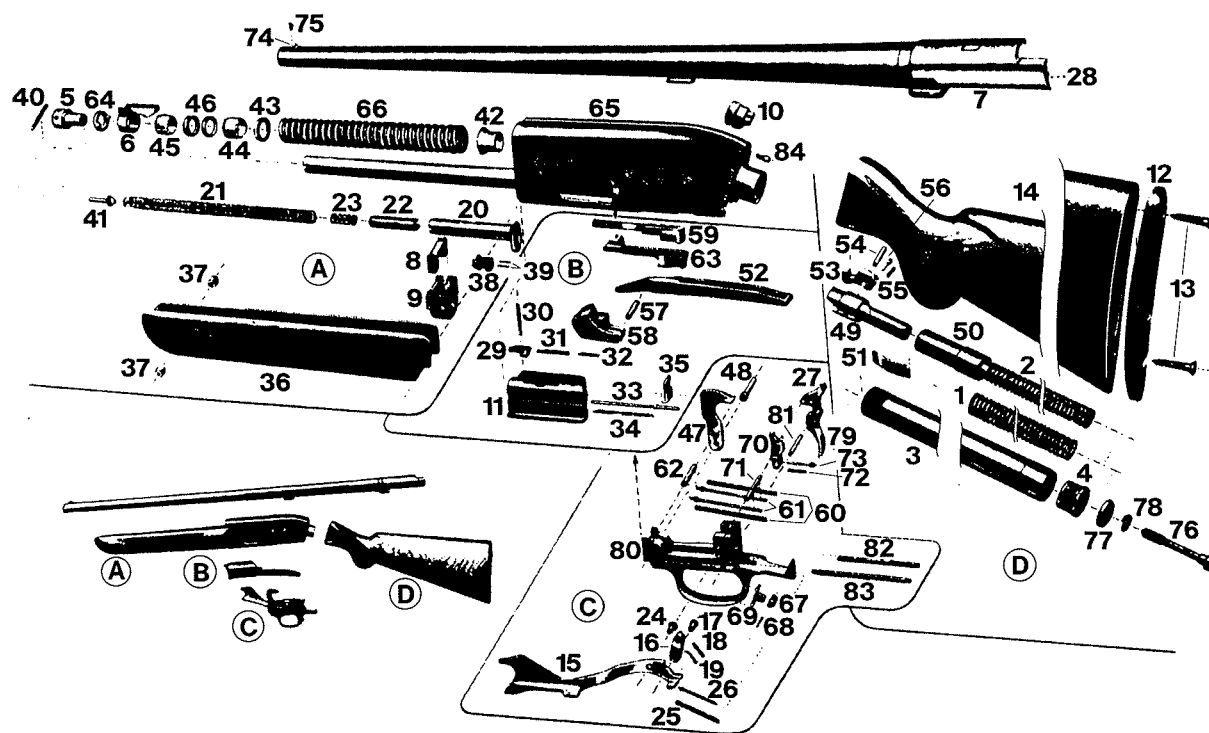
1	Buttplate	26	Ejector Trip Rod, Right	52	Front Sight Bead
2	Buttplate Screws	27	Ejector Trip Rod, Left	53	Stock
3	Cocking Lever	28	Firing Pins	54	Stock Bolt
4	Cocking Lever Pin	29	Firing Pin Bushings	55	Stock Bolt Washer
5	Cocking Lever Lifter	30	Firing Pin Springs	56	Stock Bolt Lock Washer
6	Cocking Lever Lifter Pin	31	Forearm	57	Takedown Lever
7	Cocking Lever Lifter Spring	32	Forearm Screw	58	Takedown Lever Bracket
8	Connector	33	Forearm Screw Escutcheon	59	Takedown Lever Bracket Screw, Front
9	Connector Pin	34	Forearm Bracket	60	Takedown Lever Bracket Screw, Rear
10	Connector Pin Retaining Ring	35	Hammer, Right	61	Takedown Lever Pin
11	Ejector	36	Hammer, Left	62	Takedown Lever Spring
12	Ejector Extension, Right	37	Hammer Pins	63	Takedown Lever Spring Screw
13	Ejector Extension, Left	38	Inertia Block	64	Top Lever
14	Ejector Extension Screw	39	Inertia Block Pins	65	Top Lever Spring
15	Ejector Retaining Pin	40	Locking Bolt	66	Top Lever Spring Retainer
16	Ejector Hammer, Right	41	Mainsprings	67	Top Lever Spring Plunger
17	Ejector Hammer, Left	42	Mainspring Plungers	68	Top Lever Dog
18	Ejector Hammer Pin	43	Mainspring Receiver	69	Top Lever Dog Screw
19	Ejector Hammer Springs	44	Selector Safety	70	Trigger
20	Ejector Hammer Spring Plungers	45	Selector Block	71	Trigger Pin
21	Ejector Hammer Spring Receiver	46	Selector Spring	72	Trigger Piston
22	Ejector Hammer Spring Receiver Screw	47	Sear, Right	73	Trigger Piston Pin
23	Ejector Sear	48	Sear, Left	74	Trigger Piston Spring
24	Ejector Sear Springs	49	Sear Springs	75	Trigger Guard
25	Ejector Sear Pins	50	Sear Spring Plungers	76	Trigger Guard Screws
		51	Sear Pin	77	Trigger Guard Pin

Citori Types 1, 2 and 3 Over/Under Shotgun



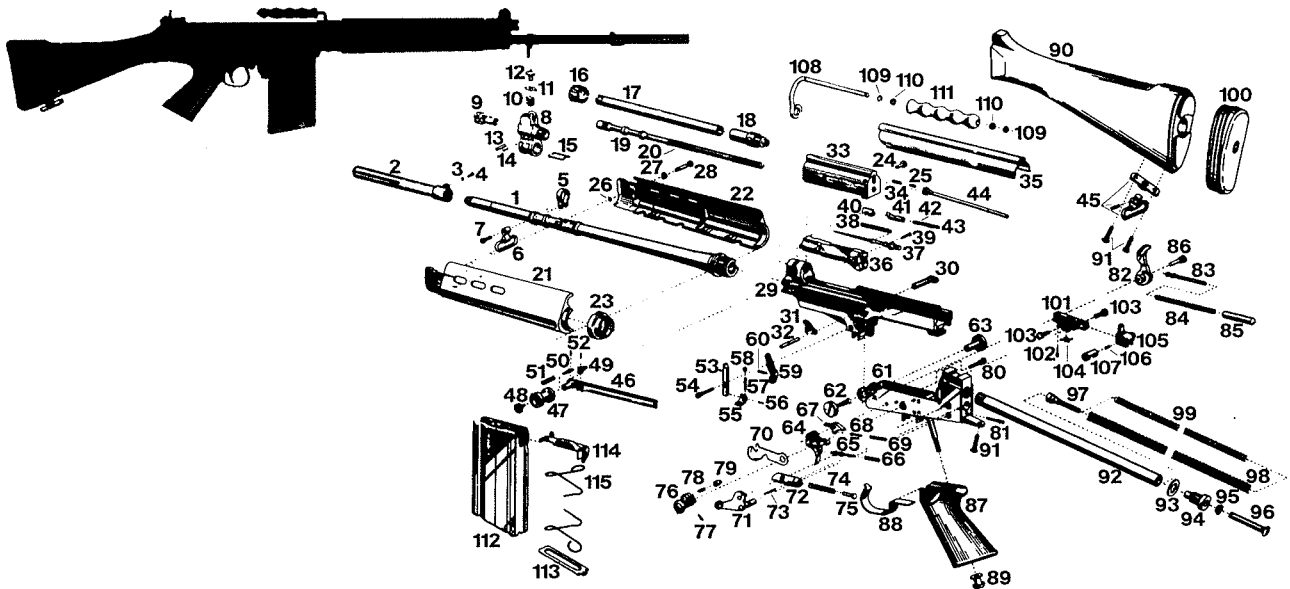
1	Buttplate Screws	28	Firing Pin Spring	55	Stock Bolt Washer
2	Buttplate	29	Firing Pin, Under	56	Stock Bolt
3	Cocking Lever Lifter Pin	30	Forearm Bracket	57	Stock
4	Cocking Lever Lifter Spring	31	Forearm	58	Takedown Lever Bracket Screw
5	Cocking Lever Lifter	32	Forearm Screw	59	Takedown Lever Bracket
6	Cocking Lever Pin	33	Hammer, Left	60	Takedown Lever Pin
7	Cocking Lever	34	Hammer Pin	61	Takedown Lever Spring Screw
8	Connector Stop Pin	35	Hammer, Right	62	Takedown Lever Spring
9	Connector	36	Inertia Block Pins	63	Takedown Lever
10	Ejector Extension, Left	37	Inertia Block	64	Top Lever Dog Screw
11	Ejector Extension, Right	38	Inertia Block Link Pin	65	Top Lever Dog
12	Ejector Extension Screws	39	Receiver Link Pin	66	Top Lever Spring Retainer Screw
13	Ejector Hammer, Left	40	Link	67	Top Lever Spring Retainer
14	Ejector Hammer Pin	41	Locking Bolt	68	Top Lever Spring
15	Ejector Hammer, Right	42	Mainspring Guides	69	Top Lever
16	Ejector Hammer Spring Plungers	43	Mainsprings	70	Trigger
17	Ejector Hammer Spring Receiver	44	Sear, Left	71	Trigger Guard
18	Ejector Hammer Springs	45	Sear Pin	72	Trigger Guard Screws
19	Ejector Retaining Pins	46	Sear, Right	73	Trigger Pin
20	Ejectors	47	Sear Springs	74	Trigger Piston Pin
21	Ejector Sear Pins	48	Selector Block	75	Trigger Piston Spring
22	Ejector Sear Springs	49	Selector Safety	76	Trigger Piston
23	Ejector Sears	50	Selector Spring Detent Pin	77	Ejector Hammer Spring Receiver Screw
24	Ejector Trip Rod, Left	51	Selector Spring Screw	78	Forearm Screw Nut
25	Ejector Trip Rod, Right	52	Selector Spring		
26	Firing Pin, Over	53	Sight Bead Front		
27	Firing Pin Retaining Pins	54	Stock Bolt Lock Washer		

Double Automatic Shotgun



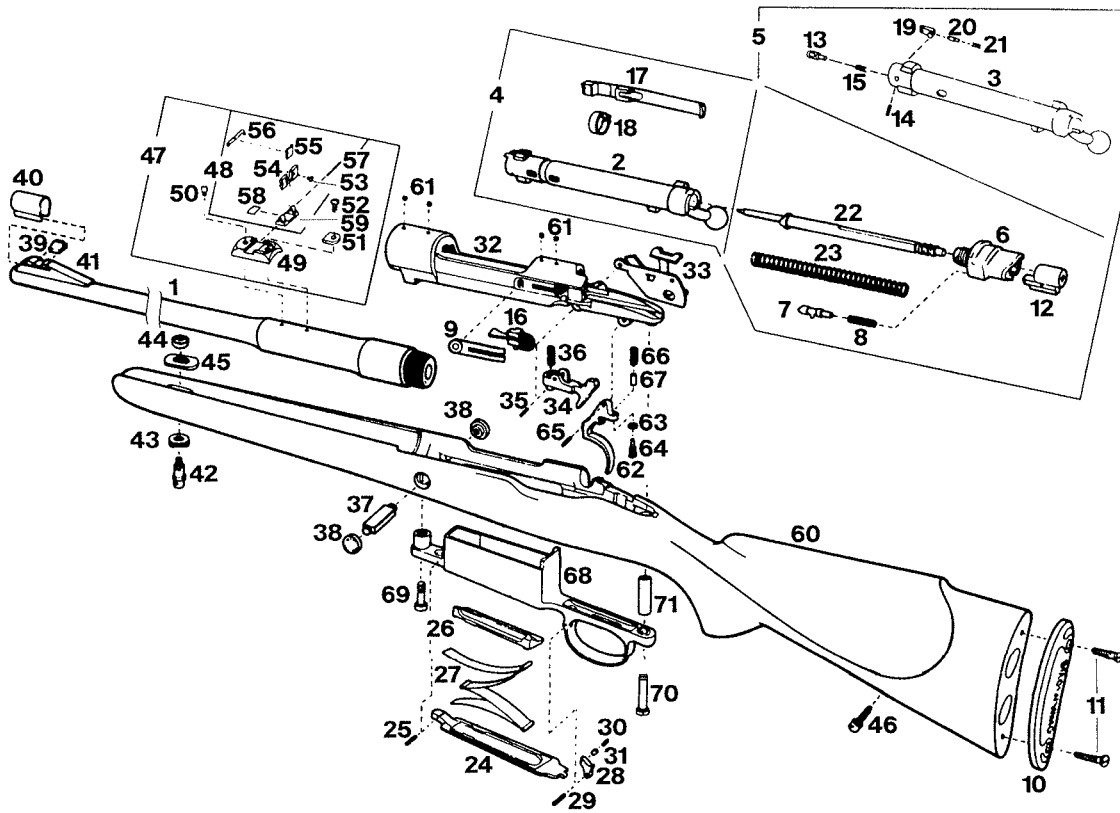
- | | | | | | |
|----|---------------------------------|----|-------------------------------|----|--------------------------------------|
| 1 | Action Spring, Inside | 32 | Extractor Spring Guide | 63 | Operating Handle |
| 2 | Action Spring, Outside | 33 | Firing Pin | 64 | Orienting Ring |
| 3 | Action Spring Tube | 34 | Firing Pin Spring | 65 | Receiver |
| 4 | Action Spring Tube Cap | 35 | Firing Pin Stop Plate | 66 | Recoil Spring |
| 5 | Adjusting Cap | 36 | Forend | 67 | Safety Finger Piece |
| 6 | Barrel Guide | 37 | Forend Escutcheons | 68 | Safety Retaining Pin |
| 7 | Barrel Extension | 38 | Forend Latch | 69 | Safety Spring Assembly |
| 8 | Barrel Lock | 39 | Forend Latch Springs | 70 | Sear |
| 9 | Barrel Lock Guide | 40 | Forend Pivot Pin | 71 | Sear Pivot |
| 10 | Breechblock Buffer | 41 | Forend Pivot Pin Stop | 72 | Sear Spring |
| 11 | Breechblock | 42 | Friction Brake Bronze, Buffer | 73 | Sear Spring Guide |
| 12 | Buttplate | 43 | Friction Brake Ring | 74 | Sight Base |
| 13 | Buttplate Screws | 44 | Friction Brake Bronze, Rear | 75 | Sight Bead |
| 14 | Buttstock | 45 | Friction Brake Bronze, Front | 76 | Stock Bolt |
| 15 | Carrier | 46 | Friction Brake Washers | 77 | Stock Bolt Washer |
| 16 | Carrier Dog | 47 | Hammer | 78 | Stock Bolt Lock Washer |
| 17 | Carrier Dog Pin | 48 | Hammer Pin | 79 | Trigger |
| 18 | Carrier Dog Spring | 49 | Inertia Block Core | 80 | Trigger Guard |
| 19 | Carrier Dog Spring Guide | 50 | Inertia Block | 81 | Trigger Pin |
| 20 | Carrier Latch | 51 | Inertia Block Core Spring | 82 | Trigger Guard Fastening Guide, Right |
| 21 | Carrier Latch Spring | 52 | Link | 83 | Trigger Guard Fastening Guide, Left |
| 22 | Carrier Latch Stabilizer | 53 | Link Hook | 84 | Sleeve/Buttstock Bolt |
| 23 | Carrier Latch Stabilizer Spring | 54 | Link Hook Pin | | |
| 24 | Carrier Pin | 55 | Link Hook Spring | | |
| 25 | Carrier Spring | 56 | Link Hook Spring Plunger | | |
| 26 | Carrier Spring Guide | 57 | Link Pin | | |
| 27 | Disconnecter | 58 | Locking Block | | |
| 28 | Ejector | 59 | Locking Block Latch | | |
| 29 | Extractor | 60 | Mainsprings | | |
| 30 | Extractor Pin | 61 | Mainspring Guides | | |
| 31 | Extractor Spring | 62 | Mainspring Yoke | | |
- Parts Not Shown**
- Carrier Latch Guide Pin
 - Disconnecter Pin
 - Disconnecter Spring
 - Disconnecter Spring Plunger
 - Locking Block Latch Rivet
 - Recoil Spring Tube
 - Recoil Spring Tube Pin

FAL Standard Autoloading Rifle



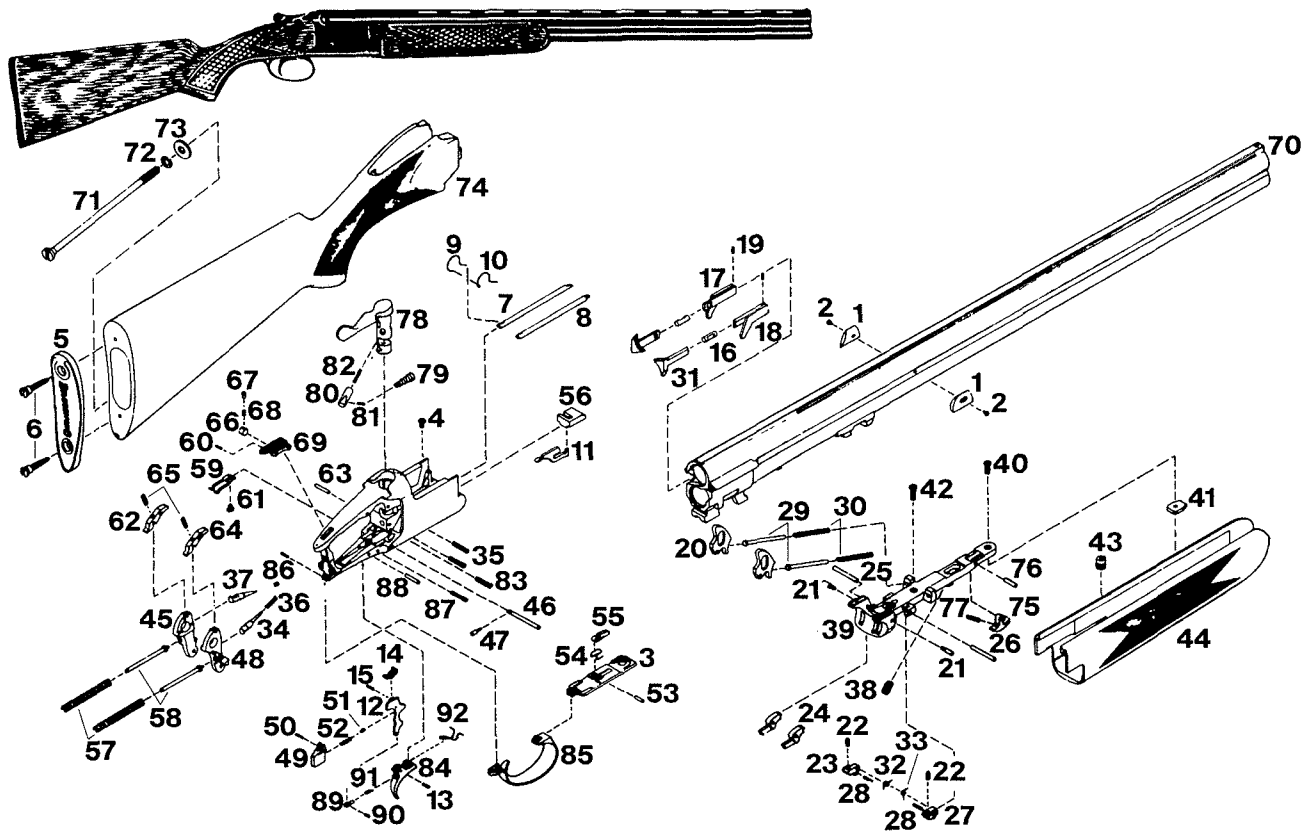
1	Barrel Body	39	Firing Pin Retaining Pin	77	Pin
2	Flash Hider	40	Extractor	78	Lever Spring
3	Washer	41	Extractor Plunger	79	Plunger
4	Flash Hider Retaining Screw	42	Extractor Spring	80	Trigger and Sear Axis Pin
5	Band, Front Sling Swivel	43	Extractor Spring Buffer	81	Locking Catch Lever Retaining Screw
6	Front Sling Swivel	44	Slide Rod	82	Hammer
7	Front Sling Swivel Retaining Screw	45	Rear Sling Swivel Assembly	83	Hammer Spring Rod
8	Gas Block	46	Cocking Handle Body	84	Hammer Spring
9	Gas Cylinder Plug	47	Cocking Handle Lug	85	Hammer Spring Housing
10	Foresight Retaining Spring	48	Cocking Handle Stud	86	Hammer Pin
11	Foresight Plate	49	Lug	87	Pistol Grip
12	Foresight	50	Cocking Handle Detent	88	Trigger Guard
13	Gas Block Retaining Pin	51	Cocking Handle Detent Spring	89	Pistol Grip Retaining Nut
14	Retaining Pin	52	Lug and Cocking Handle Detent Retaining Pins	90	Buttstock Body
15	Gas Regulator Sleeve Spring	53	Hold-Open Device Assembly	91	Rear Sling Swivel Screws
16	Gas Regulator Sleeve	54	Magazine Catch Axis Pin	92	Return Spring Tube
17	Gas Cylinder	55	Thumb-Piece	93	Butt Screw Washer
18	Gas Cylinder Bush	56	Thumb-Piece Retaining Rivet	94	Butt Retaining Screw
19	Piston	57	Spring	95	Buttplate Screw Washer
20	Piston Spring	58	Spring Plunger	96	Buttplate Screw
21	Hand Guard, Left	59	Magazine Catch	97	Return Spring Plunger
22	Hand Guard, Right	60	Magazine Catch Spring	98	Outer Return Spring
23	Hand Guard Rear Socket	61	Trigger Mechanism Assembly	99	Inner Return Spring
24	Slide Rod Pin	62	Pivot Butt Retaining Pin	100	Rubber Plate Screw
25	Slide Rod Plunger	63	Pivot Butt	101	Rear Sight Support
26	Securing Ring, Hand Guard Retaining Screw	64	Trigger	102	Retaining Pin for Rear Sight
27	Grower Washer for Hand Guard Retaining Screw	65	Trigger Plunger	103	Rear Sight Support Adjusting Screws
28	Hand Guard Retaining Screw	66	Trigger Spring	104	Rear Sight Support Adjusting Screw Spring
29	Receiver Body	67	Sear	105	Rear Sight Cursor
30	Breechblock Support	68	Sear Spring Plunger	106	Rear Sight Catch Spring
31	Ejector	69	Sear Spring	107	Rear Sight Catch
32	Ejector Pin	70	Locating Plate for Hammer and Trigger Axis Pin	108	Carrying Handle Axis
33	Slide Body	71	Locking Latch Lever Assembly	109	Washer Springs
34	Slide Rod Spring	72	Locking Catch Body	110	Carrying Handle Washers
35	Slide Rod Spring Plunger	73	Locking Latch Pin	111	Carrying Handle Body
36	Breechblock	74	Spring	112	Magazine Body
37	Firing Pin	75	Spring Plunger	113	Bottom Plate
38	Firing Pin Spring	76	Axis and Arm Assembly	114	Platform
				115	Platform Spring

High-Power Bolt-Action Rifle



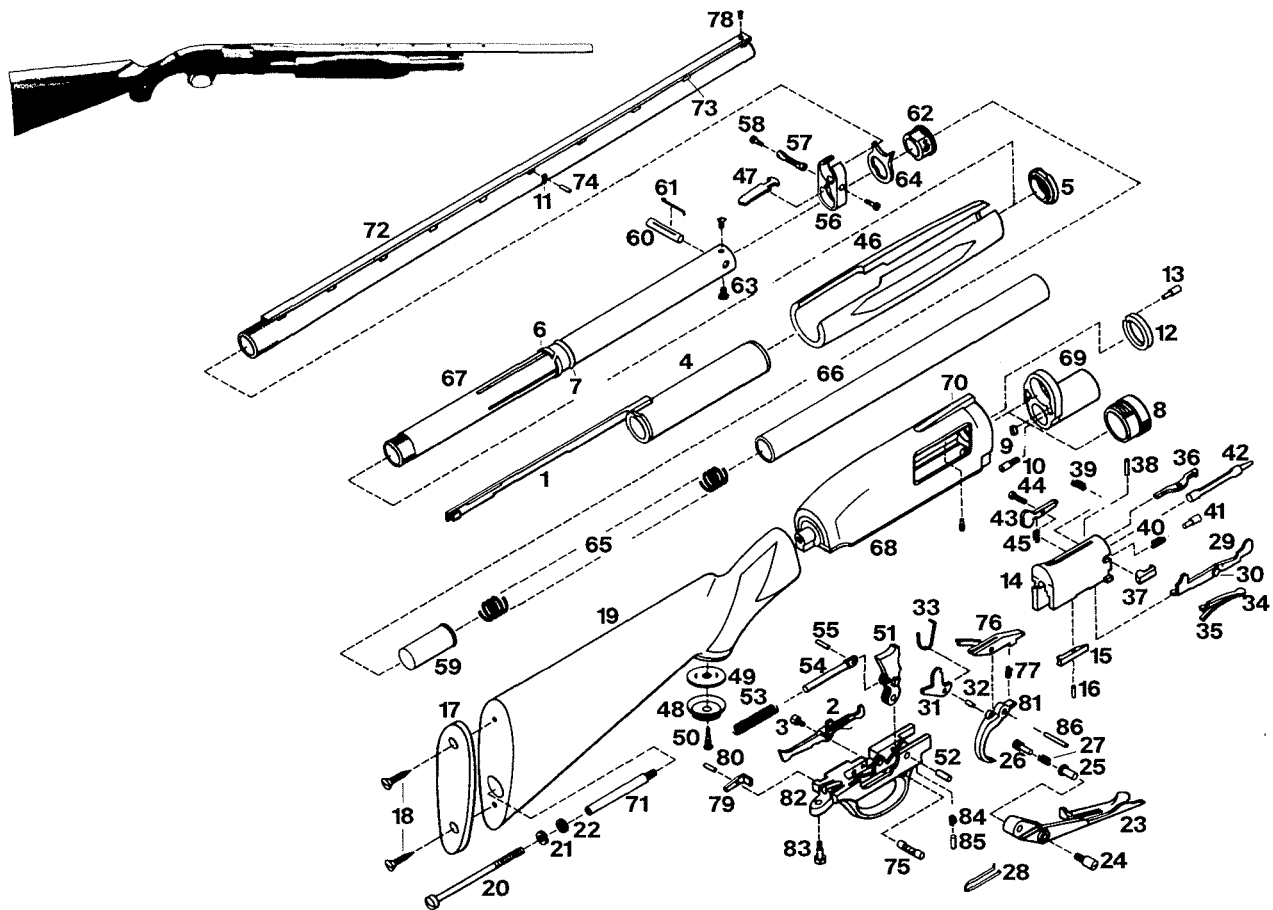
1	Barrel	26	Magazine Follower	50	Sight Base Screw, Front
2	Bolt, Regular	27	Magazine Spring	51	Windage Adjustment Plate
3	Bolt, Magnum	28	Magazine Floorplate Latch	52	Sight Base and Windage
4	Bolt Assembly, Regular	29	Magazine Floorplate Latch Pin	53	Sight Aperture - Elevation
5	Bolt Assembly, Magnum	30	Magazine Floorplate Latch Spring	54	Folding Leaf
6	Bolt Sleeve	31	Magazine Floorplate Latch	55	Sight Elevation Plate
7	Bolt Sleeve Lock Plunger	32	Receiver	56	Sight Elevation Ratchet
8	Bolt Sleeve Lock Plunger Spring	33	Safety Assembly	57	Folding Leaf Pin
9	Bolt Stop Spring Assembly	34	Sear	58	Windage Adjustable Plate
10	Buttplate	35	Sear Pin	59	Folding Leaf Base
11	Buttplate Screws	36	Sear Spring	60	Stock
12	Cocking Piece	37	Recoil Lug	61	Telescopic Mount and Rear Sight
13	Ejector, Magnum	38	Recoil Lug Screw	62	Base Filler Screws
14	Ejector Pin, Magnum	39	Sight Bead, Front	63	Trigger
15	Ejector Spring, Magnum	40	Sight Hood, Front	64	Trigger Backlash Adjustment Nut
16	Ejector and Bolt Stop Assembly	41	Sight Ramp, Front	65	Trigger Pin
17	Extractor	42	Sling Eyelet, Front	66	Trigger Spring
18	Extractor Collar	43	Sling Eyelet Base Washer, Front	67	Trigger Spring Guide
19	Extractor, Magnum	44	Sling Eyelet Base Nut, Front	68	Trigger Guard
20	Extractor Plunger, Magnum	45	Sling Eyelet Base Plate, Front	69	Trigger Guard Screw, Front
21	Extractor Spring, Magnum	46	Sling Eyelet, Rear	70	Trigger Guard Screw, Rear
22	Firing Pin	47	Sight Assembly	71	Trigger Guard Screw Bushing, Rear
23	Firing Pin Spring	48	Folding Leaf Assembly		
24	Magazine Floorplate	49	Sight Base		
25	Magazine Floorplate Pin				

Liege Over/Under Shotgun



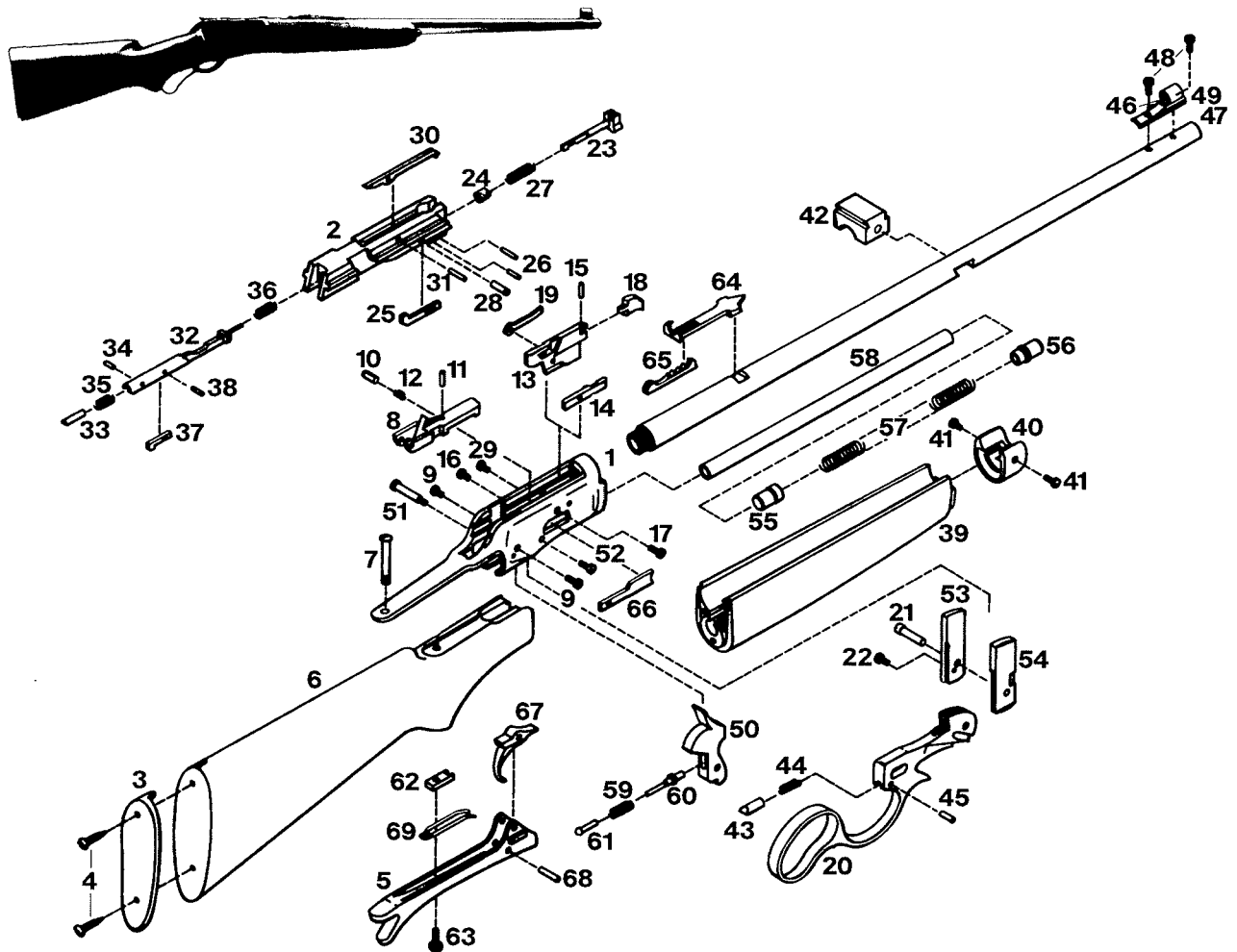
1	Barrel Sideplates	31	Ejectors	62	Sear, Left
2	Barrel Sideplate Screws	32	Ejector Sear Spring, Left	63	Sear Pin
3	Bottom Plate	33	Ejector Sear Spring, Right	64	Sear, Right
4	Bottom Plate Screw	34	Firing Pin, Lower	65	Sear Springs
5	Buttplate	35	Firing Pin Retaining Pins	66	Selector Block
6	Buttplate Screws	36	Firing Pin Spring	67	Selector Block Spring Guide
7	Cocking Rod, Left	37	Firing Pin, Upper	68	Selector Block Spring
8	Cocking Rod, Right	38	Forearm Bracket Adjusting Screw	69	Selector Safety
9	Cocking Rod Spring, Left	39	Forearm Bracket	70	Sight Bead, Front
10	Cocking Rod Spring, Right	40	Forearm Bracket Screw, Front	71	Stock Bolt
11	Connector Cam	41	Forearm Bracket Screw Plate	72	Stock Bolt Lock Washer
12	Connector	42	Forearm Bracket Screw, Rear	73	Stock Bolt Washer
13	Connector Pin	43	Forearm Insert Escutcheon	74	Stock
14	Connector Selector	44	Forearm	75	Takedown Latch
15	Connector Selector Pin	45	Hammer, Left	76	Takedown Latch Pin
16	Ejector Connectors	46	Hammer Pin	77	Takedown Latch Spring
17	Ejector Extension, Left	47	Hammer Pin Screw	78	Top Lever
18	Ejector Extension, Right	48	Hammer, Right	79	Top Lever Spring
19	Ejector Extension Stop Pins	49	Inertia Block	80	Top Lever Spring Retainer
20	Ejector Hammers	50	Inertia Block Pin	81	Top Lever Spring Retainer Pin
21	Ejector Hammer Pins	51	Inertia Block Spring Guide	82	Top Lever Spring Retainer Spring
22	Ejector Hammer Sear	52	Inertia Block Spring	83	Top Lever Stop Pin
23	Adjusting Screws	53	Lock Open Latch Pin	84	Trigger
24	Ejector Hammer Sear, Left	54	Lock Open Latch Spring	85	Trigger Guard
25	Ejector Hammer Sear Lever Pin	55	Lock Open Latch	86	Trigger Guard Pin, Rear
26	Ejector Hammer Sear Pin	56	Locking Bolt	87	Trigger Guard/Bottom Plate Pin
27	Ejector Hammer Sear, Right	57	Mainsprings	88	Trigger Pin
28	Ejector Hammer Sear Spring Pins	58	Mainspring Guides	89	Trigger Piston
29	Ejector Hammer Spring Guides	59	Safety Spring	90	Trigger Piston Pin
30	Ejector Hammer Springs	60	Safety Spring Pin	91	Trigger Piston Spring
		61	Safety Spring Screw	92	Trigger Spring

Model 12 Slide-Action Shotgun



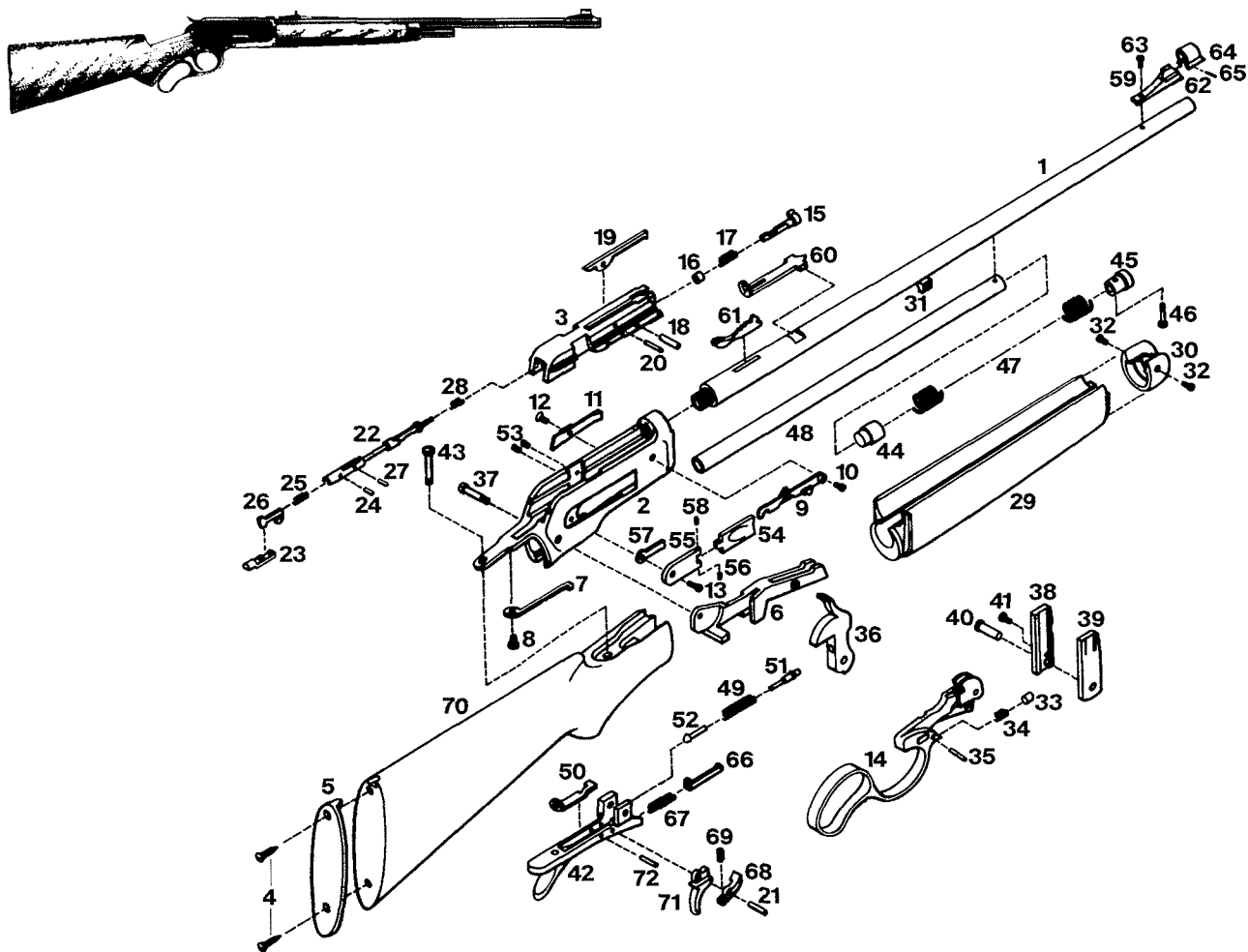
1	Action Slide Bar	30	Cartridge Cutoff Boss	59	Magazine Follower
2	Action Slide Lock	31	Disconnecter	60	Magazine Locking Pin
3	Action Slide Lock Pivot	32	Disconnecter Pin	61	Magazine Locking Pin Spring
4	Action Slide Sleeve	33	Disconnecter Spring	62	Magazine Plug
5	Action Slide Sleeve Screw Cap	34	Ejector	63	Magazine Plug Screw
6	Action Slide Spring	35	Ejector Spring	64	Magazine Plug Stop
7	Action Slide Spring Stop Ring	36	Extractor, Left	65	Magazine Spring
8	Adjusting Sleeve	37	Extractor, Right	66	Magazine Three-Shot Adapter
9	Adjusting Sleeve Lock	38	Extractor Pin	67	Magazine Tube
10	Adjusting Sleeve Lock Screw	39	Extractor Spring, Left	68	Receiver
11	Barrel Band	40	Extractor Spring, Right	69	Receiver Extension
12	Barrel Chamber Ring	41	Extractor Spring Plunger, Right	70	Receiver Rib Ramp
13	Barrel Chamber Ring Screw	42	Firing Pin	71	Receiver Shank
14	Breechbolt	43	Firing Pin Retractor	72	Rib
15	Breechbolt Retaining Lever	44	Firing Pin Retractor Screw	73	Rib Post
16	Breechbolt Retaining Lever Pin	45	Firing Pin Retractor Spring	74	Rib Retaining Pin
17	Buttplate	46	Forearm	75	Safety
18	Buttplate Screws	47	Forearm Retaining Spring	76	Sear
19	Buttstock	48	Grip Cap	77	Sear Spring
20	Buttstock Bolt	49	Grip Cap Retainer	78	Sight Bead, Front
21	Buttstock Bolt Lock Washer	50	Grip Cap Screw	79	Transfer Lever
22	Buttstock Bolt Washer	51	Hammer	80	Transfer Lever Pin
23	Carrier	52	Hammer Pin	81	Trigger
24	Carrier Pivot	53	Hammer Spring	82	Trigger Guard
25	Carrier Plunger	54	Hammer Spring Guide	83	Trigger Guard Screw
26	Carrier Plunger Screw	55	Hammer Spring Guide Pin	84	Trigger Lock Plunger
27	Carrier Plunger Spring	56	Magazine Band	85	Trigger Lock Plunger Spring
28	Carrier Spring	57	Magazine Band Bushing	86	Trigger Pin
29	Cartridge Cutoff	58	Magazine Band Bushing Screw		

Model 65 Lever-Action Rifle



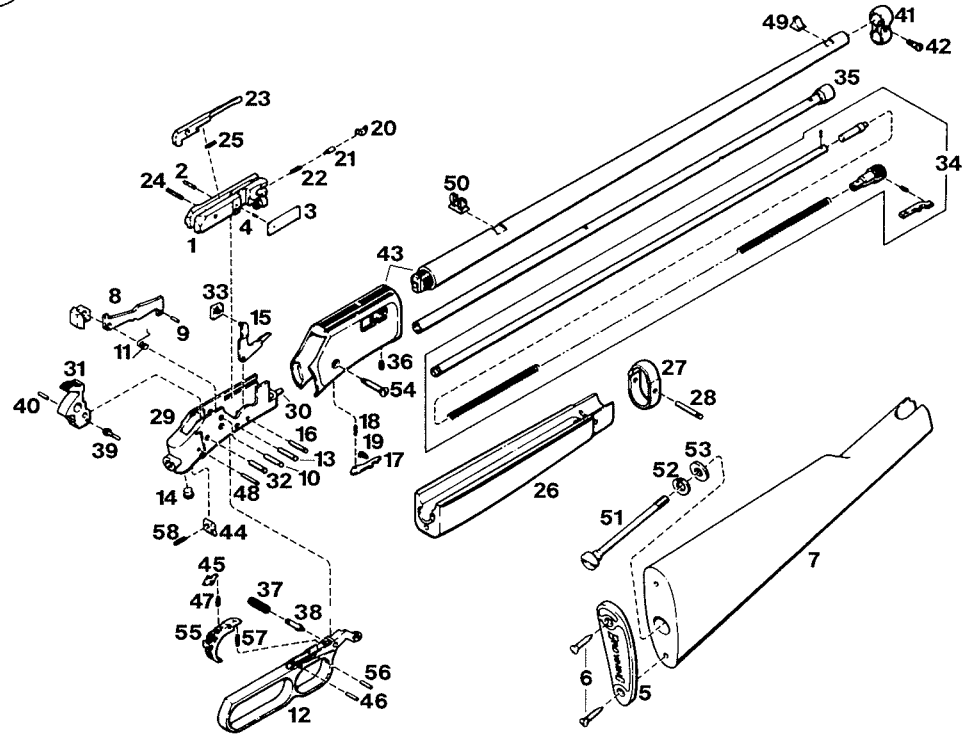
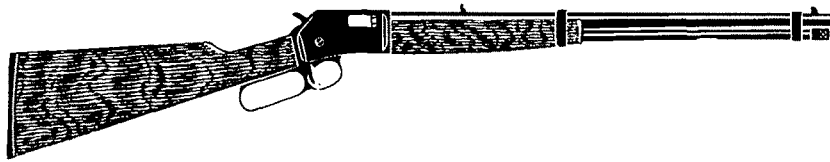
1	Barrel/Receiver	24	Ejector Collar	47	Front Sight Base
2	Breechbolt	25	Ejector Collar Stop	48	Front Sight Base Screws
3	Buttplate	26	Ejector Collar Stop Pins	49	Front Sight Hood
4	Buttplate Screws	27	Ejector Spring	50	Hammer
5	Buttstock Lower Tang	28	Ejector Stop Pin	51	Hammer Screw
6	Buttstock	29	Ejector Stop Pin Plug Screw	52	Loading Gate Cover Screw
7	Buttstock Tang Screw	30	Extractor	53	Locking Bolt, Left
8	Carrier	31	Extractor Pin	54	Locking Bolt, Right
9	Carrier Screws	32	Firing Pin	55	Magazine Follower
10	Carrier Striker	33	Firing Pin Inertia Slide	56	Magazine Muzzle Plug
11	Carrier Striker Pin	34	Firing Pin Inertia Slide Pin	57	Magazine Spring
12	Carrier Striker Spring	35	Firing Pin Inertia Slide Spring	58	Magazine Tube
13	Cartridge Guide, Left	36	Firing Pin Spring	59	Mainspring
14	Cartridge Guide, Right	37	Firing Pin Safety Lock	60	Mainspring Guide, Inner
15	Cartridge Guide Pin	38	Firing Pin Safety Lock Pin	61	Mainspring Guide, Outer
16	Cartridge Guide Screw	39	Forearm	62	Mainspring Guide Stud
17	Mainspring Guide Stud Screw	40	Forearm Tip	63	Mainspring Guide Stud Screw
18	Cartridge Stop	41	Forearm Tip Screws	64	Rear Sight
19	Cartridge Stop Spring	42	Forearm Tip Tenon	65	Rear Sight Elevator
20	Cocking Lever	43	Friction Stud	66	Receiver Spring Cover
21	Cocking Lever Pin	44	Friction Stud Spring	67	Trigger
22	Cocking Lever Stop Screw	45	Friction Stud Stop Pin	68	Trigger Pin
23	Ejector	46	Front Sight	69	Trigger Spring

Model 71 Lever-Action Rifle



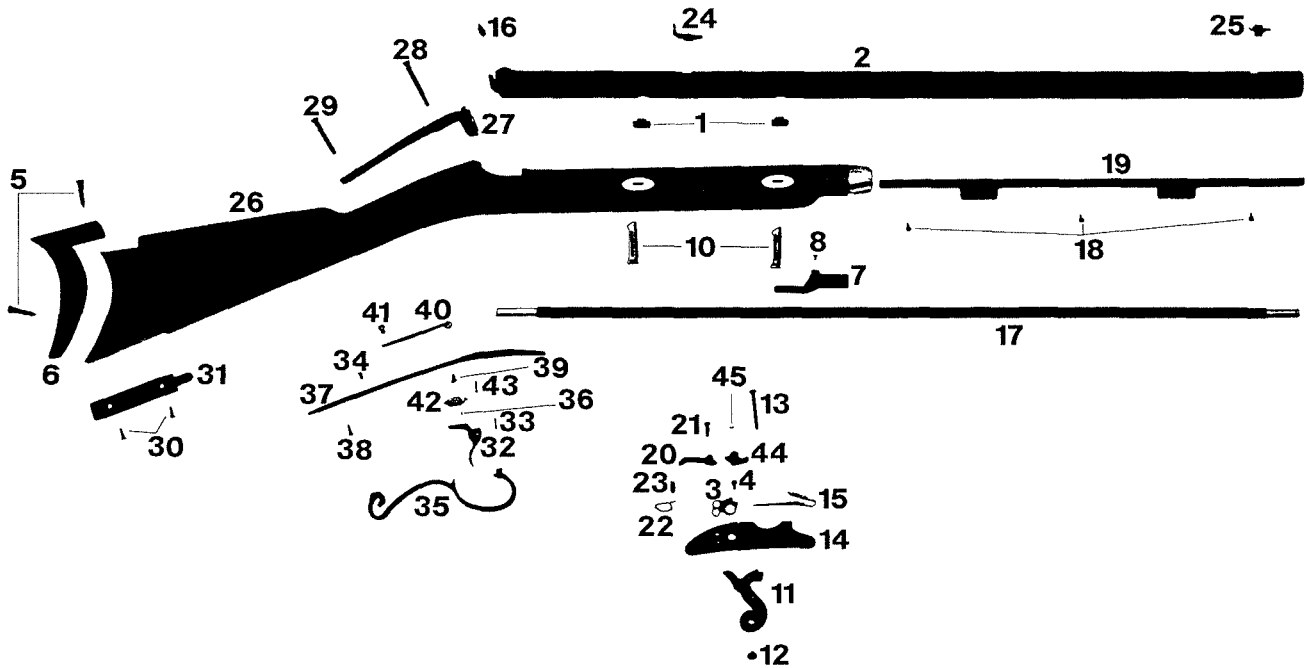
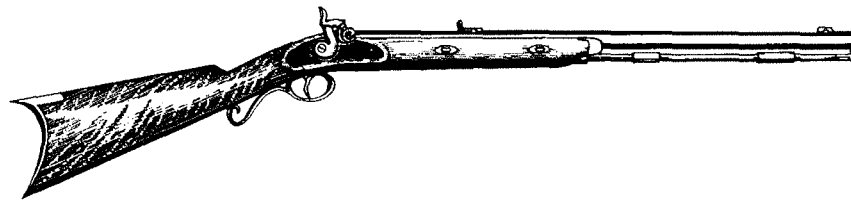
1	Barrel	25	Firing Pin Inertia Slide Spring	49	Mainspring
2	Receiver	26	Firing Pin Safety Lock	50	Mainspring Abutment
3	Breechbolt	27	Firing Pin Safety Lock Pin	51	Mainspring Guide, Inner
4	Buttplate Screws	28	Firing Pin Spring	52	Mainspring Guide, Outer
5	Buttplate	29	Forearm	53	Receiver Sight Filler Screws
6	Carrier	30	Forearm Tip	54	Receiver Spring Cover
7	Carrier Spring	31	Forearm Tip Tenon	55	Receiver Spring Cover Base
8	Carrier Spring Screw	32	Forearm Tip Screws	56	Receiver Spring Cover Pin
9	Cartridge Guide	33	Friction Stud	57	Receiver Spring Cover Spring
10	Cartridge Guide Screw	34	Friction Stud Spring	58	Receiver Spring Cover Stop Pin
11	Cartridge Guide Stop	35	Friction Stud Stop Pin	59	Front Sight
12	Cartridge Guide Stop Screw	36	Hammer	60	Rear Sight
13	Receiver Spring Cover Screw	37	Hammer Screw	61	Rear Sight Elevator
14	Cocking Lever	38	Locking Bolt, Left	62	Front Sight Base
15	Ejector	39	Locking Bolt, Right	63	Front Sight Base Screw
16	Ejector Collar	40	Locking Bolt Stop Pin	64	Front Sight Hood
17	Ejector Spring	41	Locking Bolt Stop Pin Stop Screw	65	Sight Hood Pin
18	Ejector Stop Pin	42	Lower Tang	66	Safety Slide
19	Extractor	43	Lower Tang Stock Screw	67	Safety Slide Spring
20	Extractor Pin	44	Magazine Follower	68	Sear
21	Mainspring Abutment Pin	45	Magazine Plug	69	Sear Spring
22	Firing Pin	46	Magazine Plug Screw	70	Stock
23	Firing Pin Inertia Slide	47	Magazine Spring	71	Trigger
24	Firing Pin Inertia Slide Pin	48	Magazine Tube	72	Trigger Pin

Model BL-22 Lever-Action Rifle



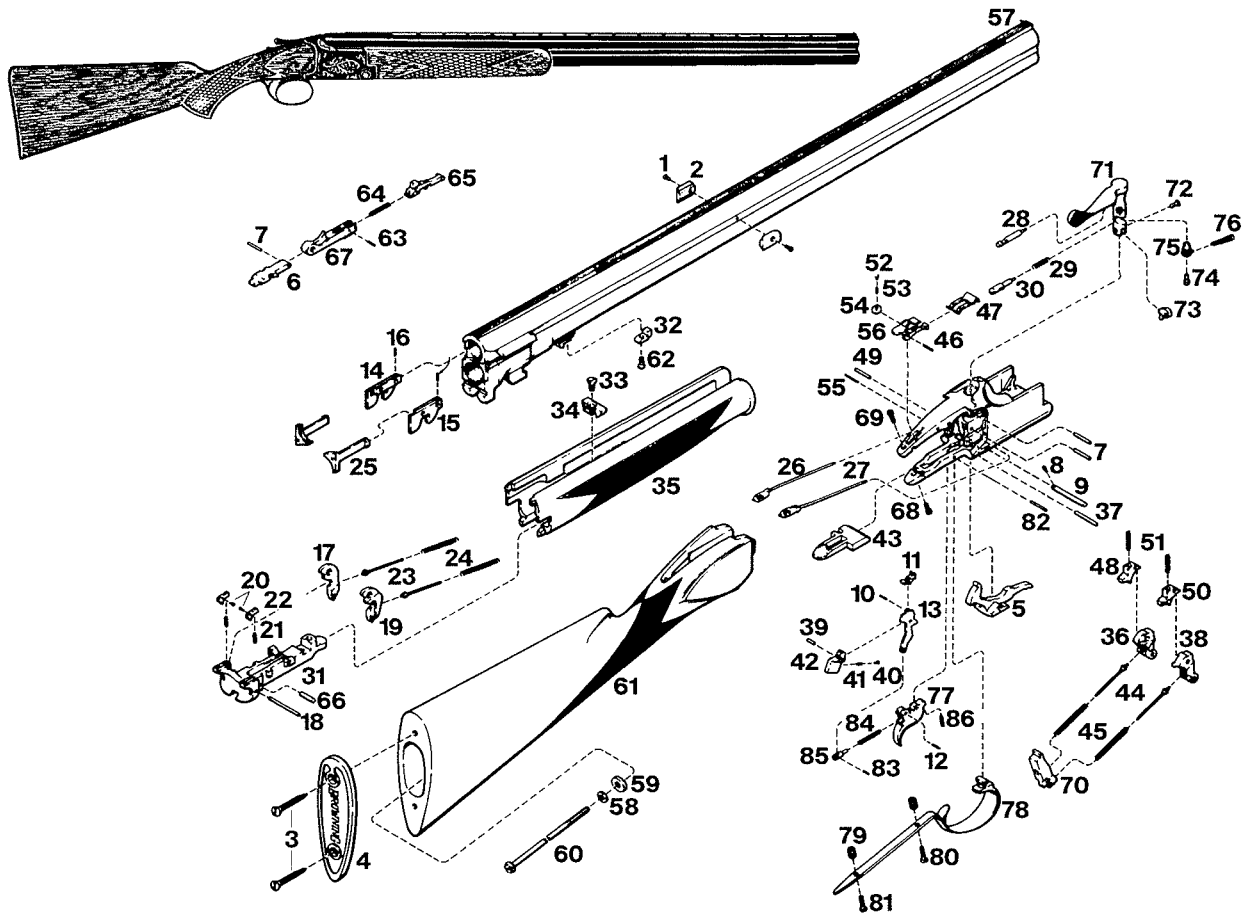
1	Bolt	30	Frame Insert Pin
2	Bolt Actuating Pin	31	Hammer
3	Bolt Cover Plate	32	Hammer Pin
4	Bolt Cover Pin	33	Locking Block
5	Buttplate	34	Magazine Assembly
6	Buttplate Screws	35	Outer Magazine Tube
7	Buttstock	36	Magazine Tube Retaining Screw
8	Carrier Assembly	37	Mainspring
9	Carrier Guide Pin	38	Mainspring Follower
10	Carrier Pin	39	Mainspring Guide
11	Carrier Spring	40	Mainspring Guide Pin
12	Cocking Lever	41	Muzzle Clamp
13	Cocking Lever Pin	42	Muzzle Clamp Screw
14	Cocking Lever Stop Screw	43	Receiver with Fitted Barrel
15	Cocking Lever Link	44	Sear
16	Cocking Lever Link Pin	45	Sear Link
17	Ejector	46	Sear Link Pin
18	Ejector Pin	47	Sear Link Spring
19	Ejector Spring	48	Sear Pin
20	Extractor	49	Front Sight
21	Extractor Plunger	50	Rear Sight Assembly
22	Extractor Spring	51	Stock Bolt
23	Firing Pin	52	Stock Bolt Lock Washer
24	Firing Pin Retaining Pin	53	Stock Bolt Washer
25	Firing Pin Spring	54	Takedown Screw
26	Forearm	55	Trigger
27	Forearm Band	56	Trigger Pin
28	Forearm Band Pin	57	Trigger Spring
29	Frame	58	Sear Spring

Percussion Mountain Rifle



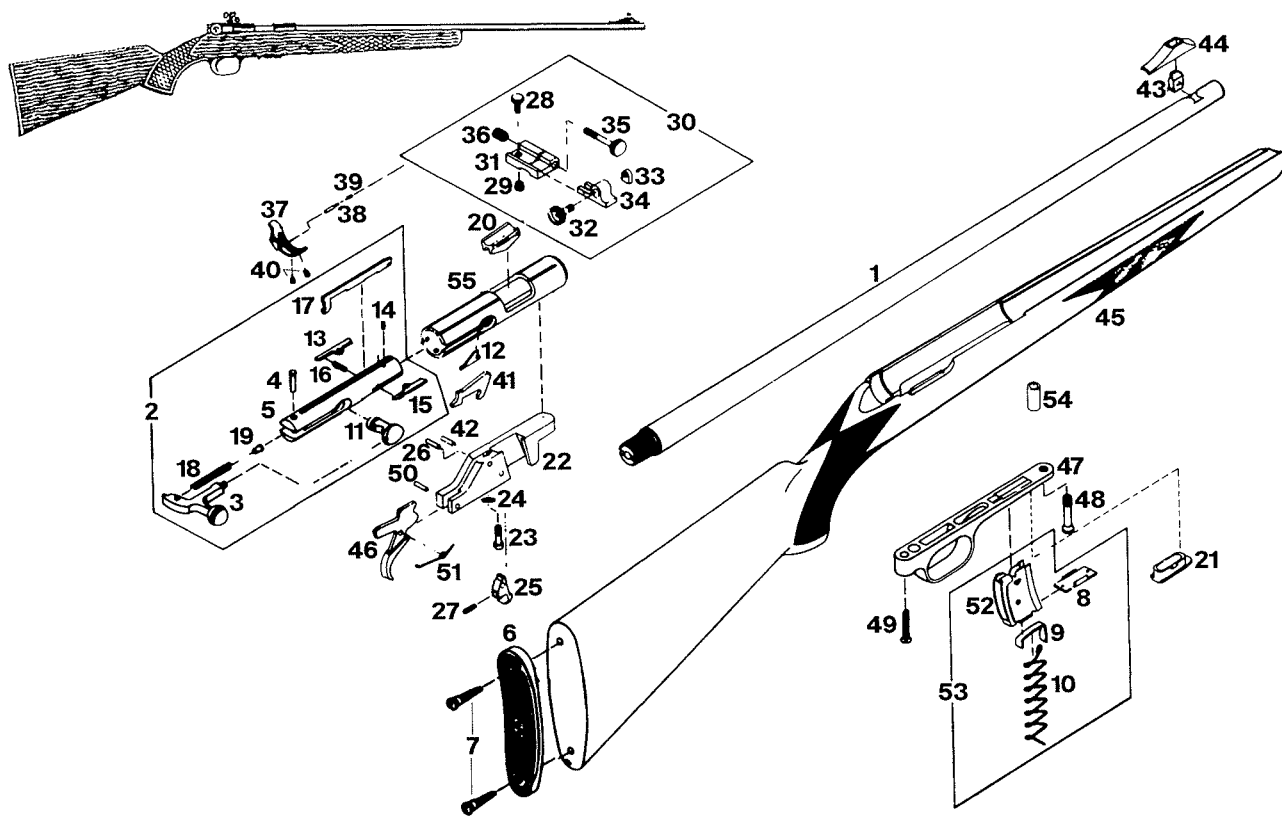
1	Barrel Lugs	25	Front Sight
2	Barrel with Breech Plug, Breech Housing and Clean-Out Screw	26	Stock Assembly with Forend Tip, Forend Tip Screw, Lockplate Screw Escutcheon, Wedge Plates and Wedge Plate Screws
3	Bridle	27	Tang
4	Bridle Screw	28	Tang Screw, Front
5	Buttplate Screws	29	Tang Screw, Rear
6	Buttplate	30	Toe Plate Screws
7	Forend Body and Thimble	31	Toe Plate
8	Forend Thimble Body Screw	32	Trigger
9	Forend Tip Screw	33	Trigger Guard Pin
10	Forend Wedges	34	Trigger Guard Screw
11	Hammer	35	Trigger Guard
12	Hammer Screw	36	Trigger Pin
13	Lockplate Screw	37	Trigger Plate
14	Lockplate with Bolster	38	Trigger Plate Screw
15	Mainspring	39	Trigger Pull Adjustment Screw
16	Nipple	40	Trigger Spring Assembly with Roller and Roller Pin
17	Ramrod, Complete with Brass Ends	41	Trigger Spring Screw
18	Rib Screws	42	Trigger Strut
19	Rib with Thimbles	43	Trigger Strut Pin
20	Sear	44	Tumbler Assembly with Roller and Roller Pin
21	Sear Screw	45	Tumbler Fly
22	Sear Spring		
23	Sear Spring Pin		
24	Sight Assembly Complete		

Superposed Over/Under Shotgun



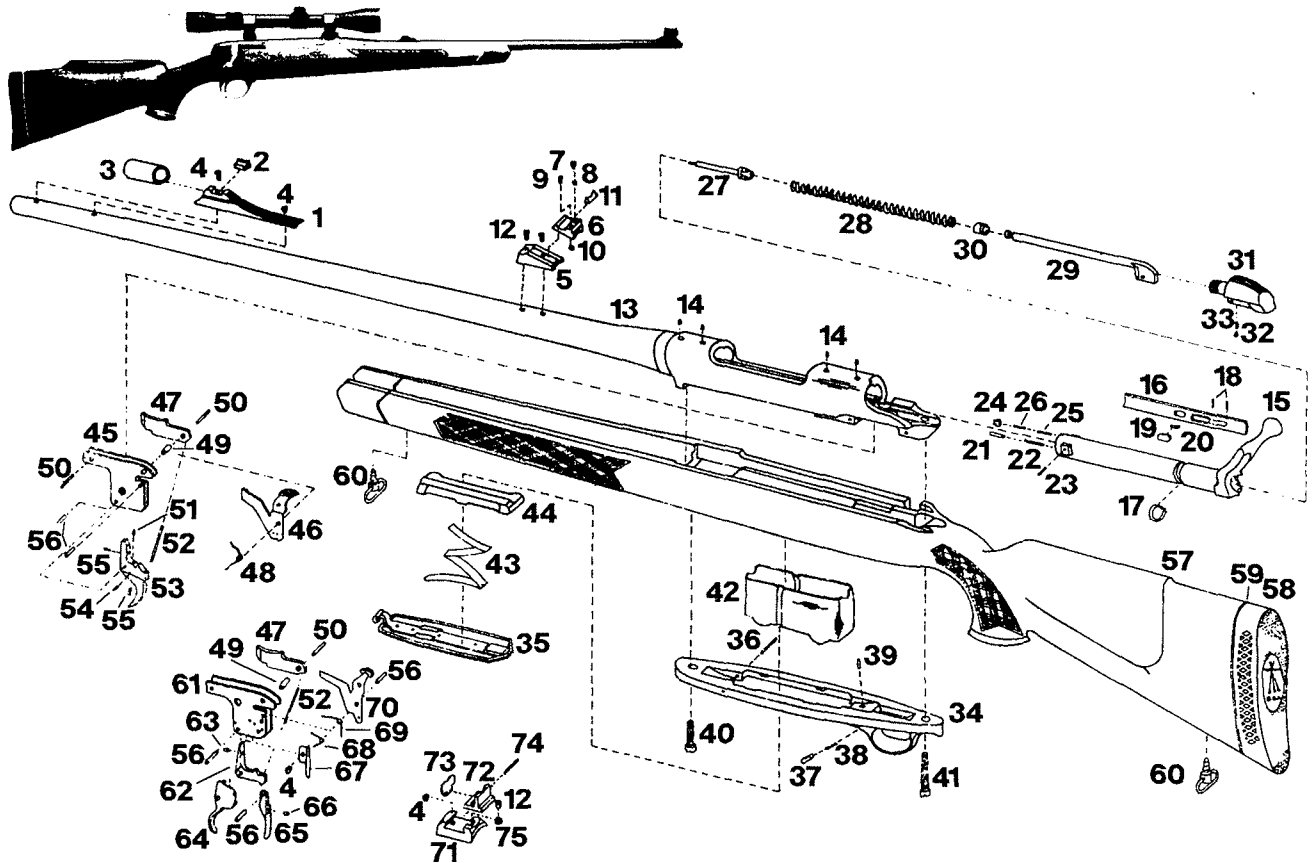
1	Barrel Plate Screws	30	Firing Pin, Under	59	Stock Bolt Washer
2	Barrel Plate Wood	31	Forearm Bracket	60	Stock Bolt
3	Buttplate Screw	32	Forearm Bracket Stop Block	61	Stock
4	Buttplate	33	Forearm Retaining Clamp Screw	62	Stop Block Retaining Screw
5	Cocking Lever	34	Forearm Retaining Clamp	63	Takedown Lever Latch Pin
6	Cocking Lever Lifter	35	Forearm	64	Takedown Lever Latch Spring
7	Cocking Lever Lifter Pin	36	Hammer, Left	65	Takedown Lever Latch
8	Cocking Lever Pin Retaining Screw	37	Hammer Pin	66	Takedown Lever Pin
9	Cocking Lever Pin	38	Hammer, Right	67	Takedown Lever
10	Connector Selector Pin	39	Inertia Block Pin	68	Tang Piece Screw, Bottom
11	Connector Selector	40	Inertia Block Spring Guide	69	Tang Piece Screw, Top
12	Connector Stop Pin	41	Inertia Block Spring	70	Tang Piece
13	Connector	42	Inertia Block	71	Top Lever
14	Ejector Extension, Left	43	Locking Bolt	72	Top Lever Dog Screw
15	Ejector Extension, Right	44	Mainspring Guides	73	Top Lever Dog
16	Ejector Extension Stop Pin	45	Mainsprings	74	Top Lever Spring Retainer Screw
17	Ejector Hammer, Left	46	Safety Spring Pin	75	Top Lever Spring Retainer
18	Ejector Hammer Pin	47	Safety Spring	76	Top Lever Spring
19	Ejector Hammer, Right	48	Sear, Left	77	Trigger
20	Ejector Hammer Sear Pins	49	Sear Pin	78	Trigger Guard
21	Ejector Hammer Sear Spring	50	Sear, Right	79	Trigger Guard Screw Escutcheons
22	Ejector Hammer Sear	51	Sear Springs	80	Trigger Guard Screw, Front
23	Ejector Hammer Spring Guides	52	Selector Block Spring Follower	81	Trigger Guard Screw, Rear
24	Ejector Hammer Springs	53	Selector Block Spring	82	Trigger Pin
25	Ejectors, Right and Left	54	Selector Block	83	Trigger Piston Pin
26	Ejector Trip Rod, Left	55	Selector Safety Spring Retaining Pin	84	Trigger Piston Spring
27	Ejector Trip Rod, Right	56	Selector Safety	85	Trigger Piston
28	Firing Pin, Over	57	Sight Bead	86	Trigger Spring
29	Firing Pin Spring, Under	58	Stock Bolt Lock Washer		

T-Bolt Bolt-Action Rifle

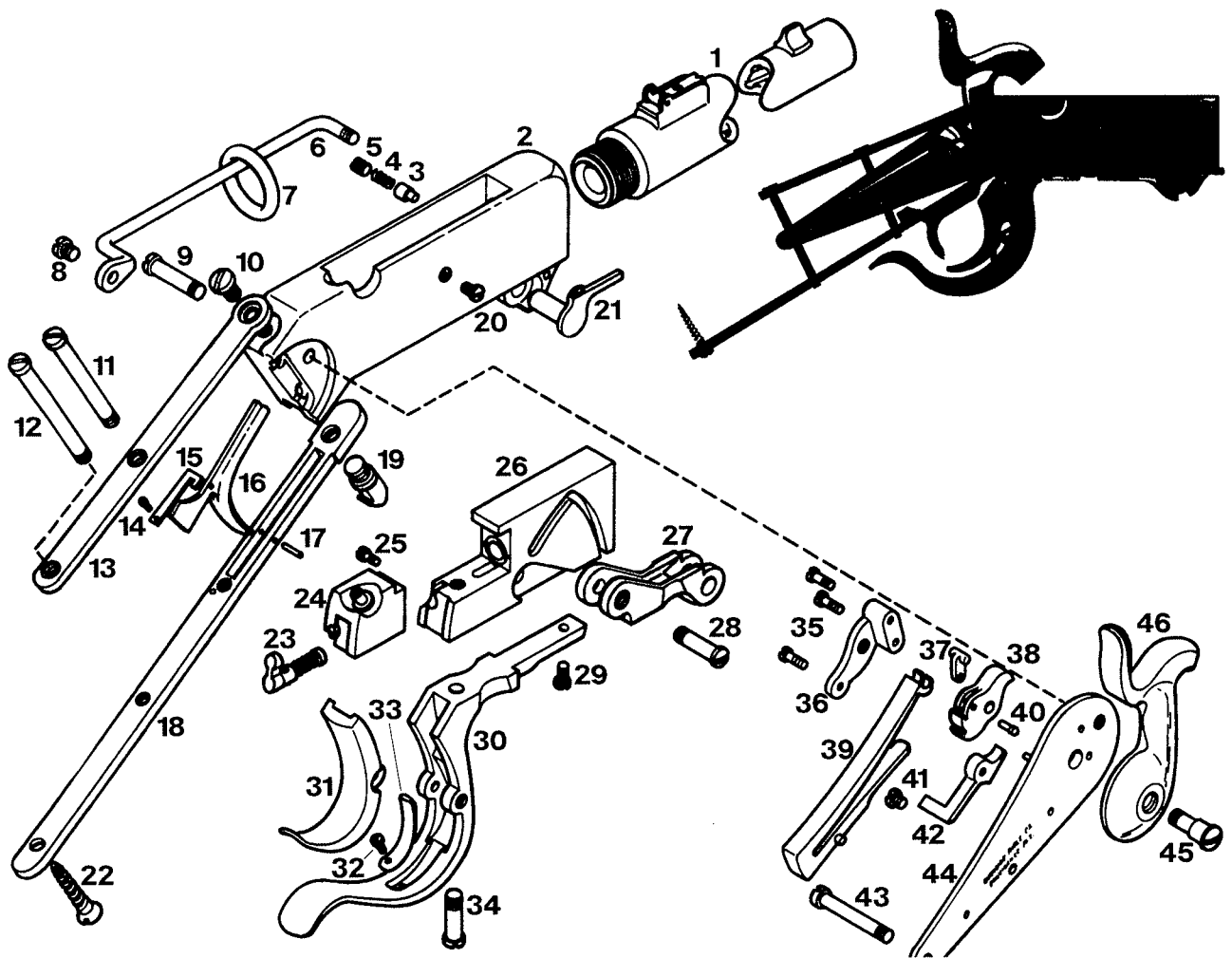


1	Barrel	29	Receiver Sight Adjusting Screw
2	Bolt Assembly		Bushing, Horizontal
3	Bolt Handle	30	Receiver Sight Assembly Complete
4	Bolt Handle Pin	31	Receiver Sight Base
5	Breechbolt	32	Receiver Sight Eyepiece
6	Buttplate	33	Receiver Sight Eyepiece Adjusting
7	Buttplate Screws		Bushing, Vertical
8	Clip Magazine Floorplate	34	Receiver Sight Eyepiece Housing
9	Clip Magazine Follower	35	Receiver Sight Mounting Screw
10	Clip Magazine Follower Spring	36	Receiver Sight Mounting
11	Cross Bolt		Screw Bushing
12	Ejector	37	Safety Body
13	Extractor, Left	38	Safety Click Pin
14	Extractor Pin	39	Safety Click Pin Spring
15	Extractor, Right	40	Safety Screws
16	Extractor Spring	41	Sear
17	Firing Pin	42	Sear Pin
18	Firing Pin Spring	43	Front Sight Blade
19	Firing Pin Spring Follower	44	Front Sight Ramp
20	Loading Ramp	45	Stock T-Bolt
21	Magazine Enclosure	46	Trigger
22	Magazine Housing	47	Trigger Guard
23	Magazine Housing Screw	48	Front Takedown Screw
24	Magazine Housing Screw	49	Rear Trigger Guard Screw
	Lock Washer	50	Trigger Pin
25	Magazine Latch	51	Trigger Spring
26	Magazine Latch Pin	52	Magazine Body
27	Magazine Latch Spring	53	Magazine Assembly
28	Receiver Sight Adjusting	54	Takedown Screw
	Screw, Horizontal	55	Receiver

CF2 High-Power Autoloading Rifle

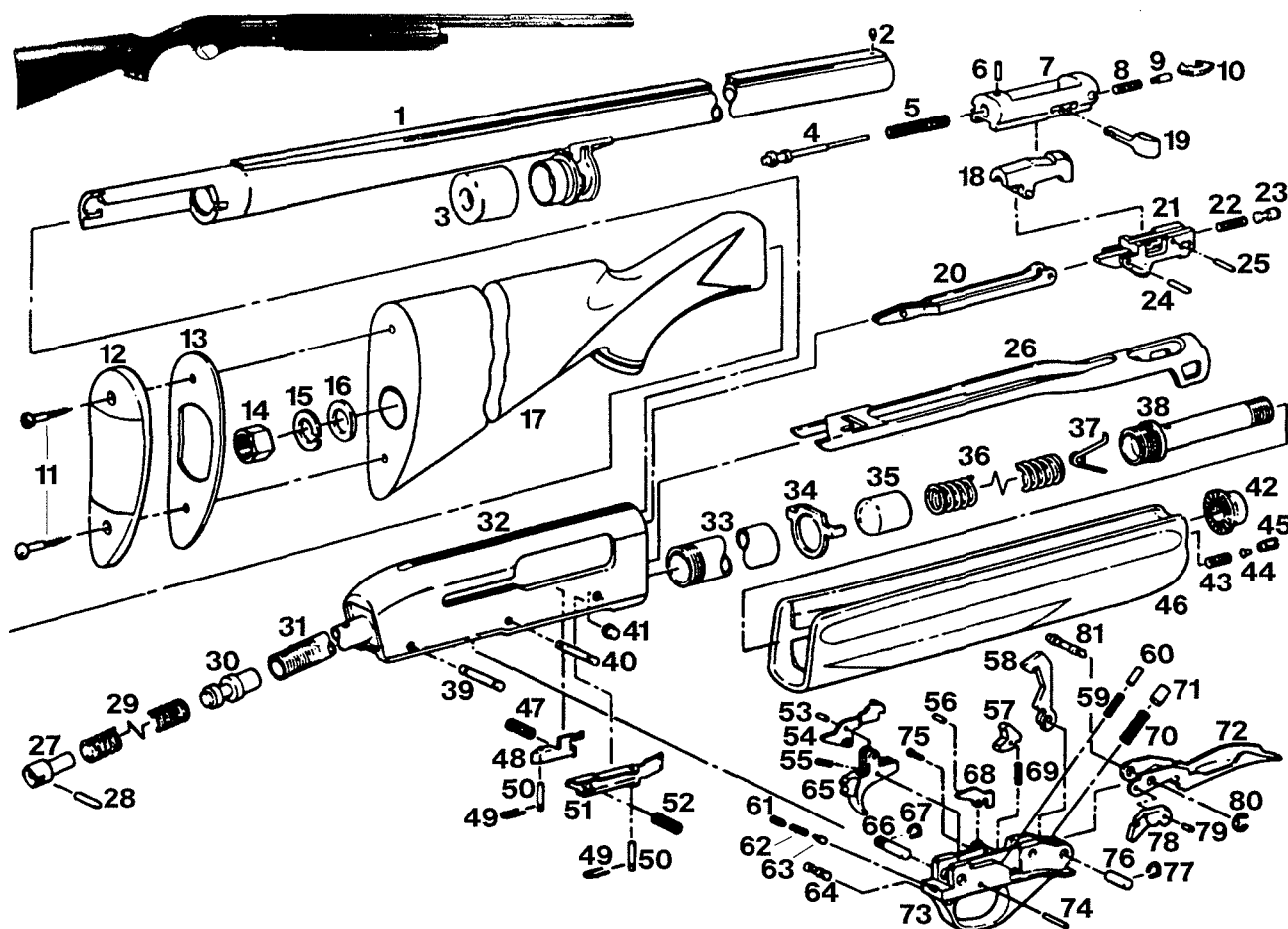


1	Front Sight Ramp	27	Striker	52	Trigger and Sear Coupling Rod
2	Front Sight Blade	28	Striker Spring	53	Trigger
3	Front Sight Hood	29	Cocking Piece	54	Trigger Locking Plug
4	Fixing Screws	30	Guide Bushing	55	Trigger Spring Screws
5	Rear Sight Base	31	Cocking Piece Housing	56	Trigger Axis Pins
6	Rear Sight Elevating Slide	32	Indicator	57	Stock
7	Gib Screw Blade	33	Indicator Spring	58	Recoil Pad
8	Gib Blade	34	Trigger Guard	59	Recoil Pad Spacer
9	Gib Screw Elevating Slide	35	Magazine Floorplate	60	Sling Swivels
10	Gib Elevating Slide	36	Magazine Floorplate Pin	For Optional Set-Trigger	
11	Rear Sight Blade	37	Magazine Floorplate Catch	61	Trigger Housing Mechanism
12	Rear Sight Locking Screws	38	Magazine Floorplate Catch Spring	62	Trigger Sear
13	Barrel and Receiver	39	Magazine Floorplate Catch Retaining Pin	63	Trigger Sear Adjusting Screw
14	Scope Mount Filler Screws	40	Front Trigger Guard Screw	64	Set-Trigger
15	Bolt	41	Rear Trigger Guard Screw	65	Firing Trigger
16	Bolt Rib	42	Magazine Box	66	Firing Trigger Adjustment Screw
17	Bolt Rib Clip	43	Magazine Follower Spring	67	Trigger Spring
18	Bolt Rib Pins	44	Magazine Follower	68	Hammer Spring
19	Bolt Rib Plunger	45	Trigger Mechanism Housing	69	Sear Spring
20	Bolt Rib Plunger Spring	46	Safety	70	Safety
21	Ejector	47	Sear	Optional Rear Sight Parts	
22	Ejector Spring	48	Sear Spring	71	Rear Sight Base
23	Ejector Retaining Pin	49	Sear Axis Bushing	72	Rear Sight Fixed Leaf
24	Extractor	50	Trigger Mechanism Retaining Pin	73	Folding Leaf
25	Extractor Spring	51	Trigger Spring	74	Folding Leaf Axis Pin
26	Extractor Plunger			75	Rear Sight Gib



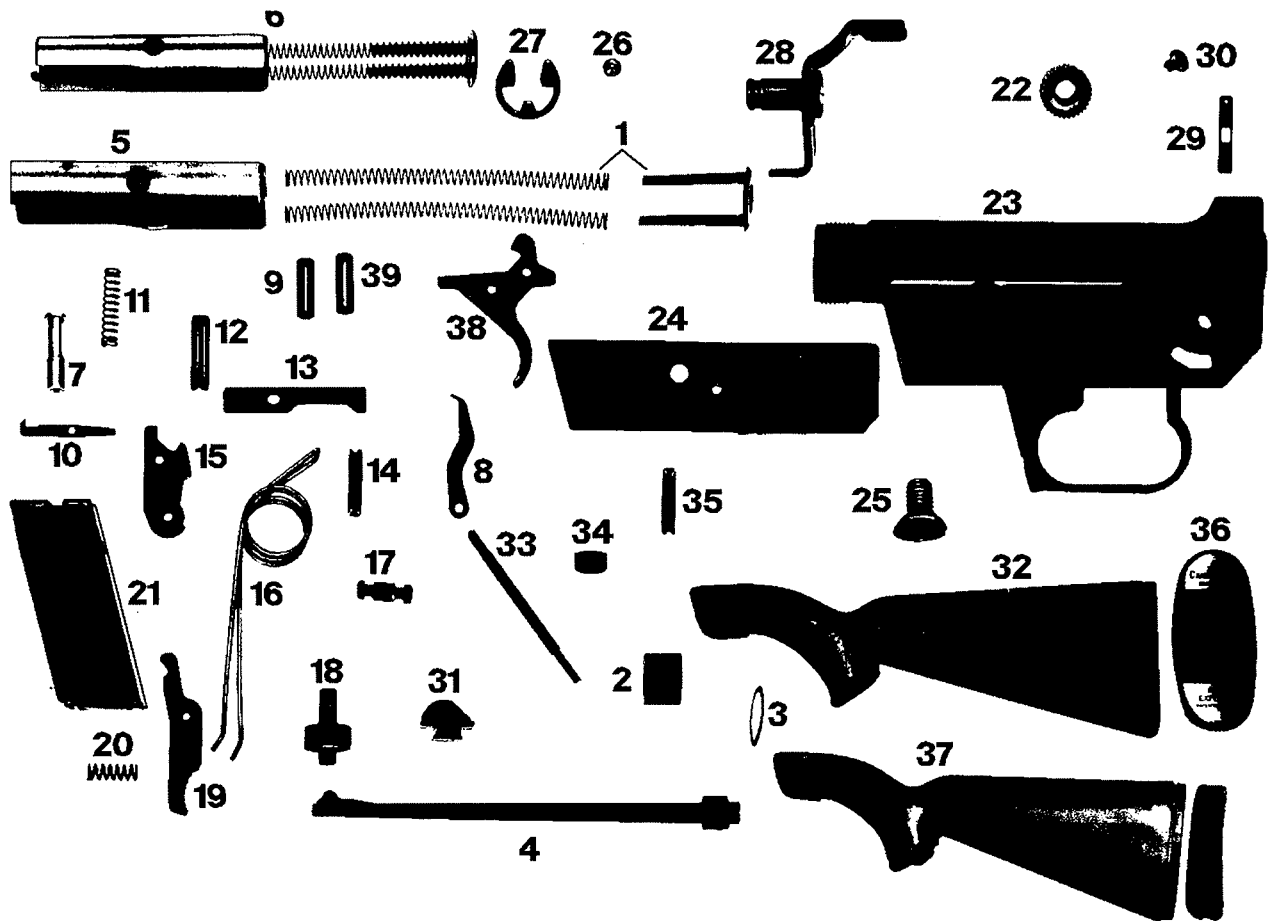
1	Barrel	25	Nipple Block Plunger Retaining Screw
2	Frame	26	Breechblock
3	Takedown Lever Plunger	27	Breechblock Link
4	Takedown Lever Plunger Spring	28	Breechblock Link Screw
5	Takedown Lever Spring Plunger	29	Lever Retaining Screw
6	Saddle Ring Bar	30	Finger Lever
7	Saddle Ring	31	Lever Latch
8	Saddle Ring Bar Screw	32	Lever Latch Spring Screw
9	Front Lockplate Screw	33	Lever Latch Spring
10	Upper Tang Screw	34	Main Lever Retaining Screw
11	Front Tang Screw	35	Bridle Screws
12	Rear Tang Screw	36	Bridle
13	Upper Tang	37	Stirrup
14	Trigger Spring Screw	38	Tumbler
15	Trigger Spring	39	Mainspring
16	Trigger	40	Stirrup Pin
17	Trigger Pin	41	Mainspring Stop Screw
18	Trigger Plate	42	Sear
19	Finger Lever Latch Lock	43	Rear Lockplate Screw
20	Cam Screw	44	Lockplate
21	Takedown Lever	45	Hammer Screw
22	Trigger Plate Screw	46	Hammer
23	Nipple Block Spring and Plunger		
24	Nipple Block		

12-Gauge Autoloading Shotgun



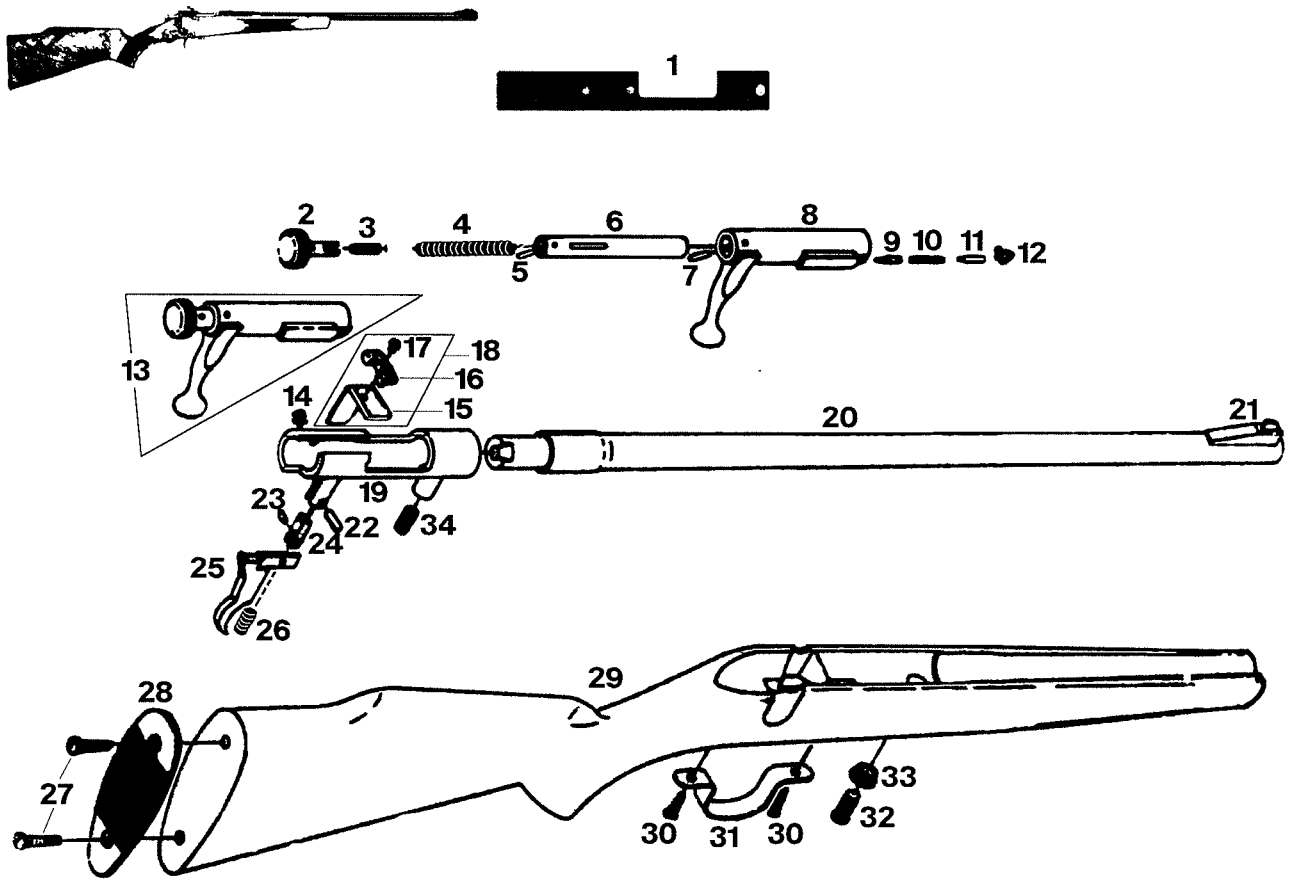
1	Barrel Assembly	28	Action Spring Plug Pin	55	Trigger Spring
2	Front Sight	29	Action Spring	56	Release Lever Pin
3	Piston	30	Action Spring Follower	57	Sear
4	Firing Pin	31	Action Spring Tube	58	Hammer
5	Firing Pin Spring	32	Receiver	59	Lifter Pawl Spring
6	Firing Pin Stop Pin	33	Magazine Tube	60	Lifter Pawl Plunger
7	Breechbolt Assembly	34	Forend Support	61	Safety Plunger Screw
8	Extractor Spring	35	Magazine Follower	62	Safety Plunger Spring
9	Extractor Plunger	36	Magazine Follower Spring	63	Safety Plunger
10	Extractor	37	Magazine Extension Retaining Spring	64	Safety
11	Buttplate Screws	38	Magazine Tube Extension	65	Trigger
12	Buttplate	39	Trigger Guard Pin, Rear	66	Trigger Guard Pin Bushing, Rear
13	Buttplate Liner	40	Trigger Guard Pin, Front	67	Trigger Guard Pin Retainer, Rear
14	Stock Retaining Nut	41	Release Button	68	Release Lever
15	Stock Bolt Lock Washer	42	Magazine Cap	69	Sear Spring
16	Stock Bolt Washer	43	Magazine Cap Stop Spring	70	Mainspring
17	Stock Assembly	44	Magazine Cap Stop Plunger	71	Mainspring Plunger
18	Locking Bolt	45	Magazine Cap Stop	72	Lifter
19	Operating Handle	46	Forend	73	Trigger Guard
20	Link Assembly	47	Cartridge Stop Spring	74	Trigger Pin
21	Slide	48	Cartridge Stop	75	Sear Pin
22	Operating Handle Plunger Spring	49	Retaining Spring, Small	76	Hammer Bushing
23	Operating Handle Plunger	50	Cartridge Stop Pins	77	Trigger Guard Pin Retainer, Front
24	Link Pin	51	Lifter Latch	78	Lifter Pawl
25	Operating Handle Plunger Pin	52	Lifter Latch Spring	79	Lifter Pawl Pin
26	Action Bar	53	Sear Trip Pin	80	Lifter Pin Retainer
27	Action Spring Plug	54	Sear Trip	81	Lifter Pin

AR-7 and AR-7S Explorer Autoloading Rifle



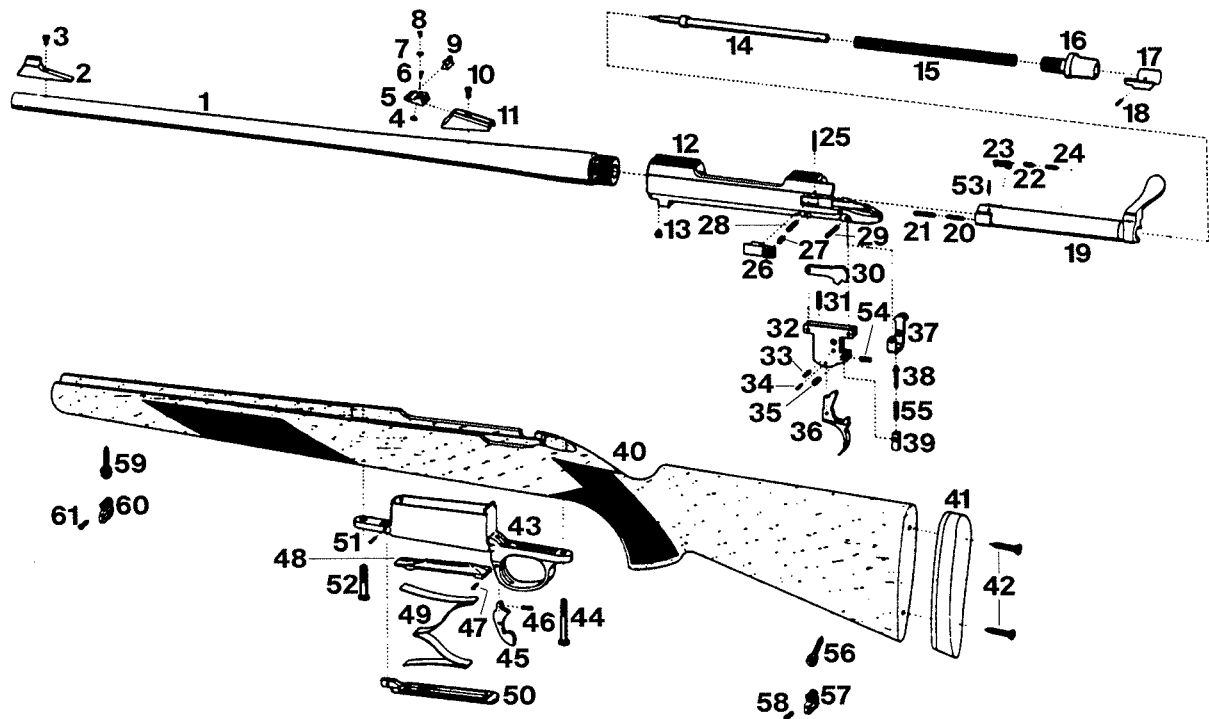
1	Action Springs and Guide	21	Magazine, Complete
2	Barrel Nut	22	Rear Sight Press Nut
3	Barrel Nut Lock Washer	23	Receiver
4	Barrel Assembly	24	Receiver Sideplate
5	Bolt	25	Receiver Sideplate Screw
6	Bolt Assembly	26	Safety Detent Ball
7	Charging Handle	27	Safety Snap Ring
8	Ejector	28	Safety
9	Ejector Pin	29	Sight, Rear
10	Extractor	30	Rear Sight Screw
11	Extractor Spring	31	Sight, Front
12	Extractor Assembly Pin	32	Stock
13	Firing Pin	33	Stock Takedown Screw
14	Firing Pin Assembly Pin	34	Stock Takedown Screw Nut
15	Hammer	35	Stock Takedown Screw Nut
16	Hammer and Trigger Spring		Roll Pin
17	Hammer and Trigger Spring	36	Stock Outer Buttcap
	Support Pin	37	Stock Assembly
18	Hammer Pivot Pin	38	Trigger
19	Magazine Latch	39	Trigger Pivot Pin
20	Magazine Latch Spring		

Single Shot Rifle



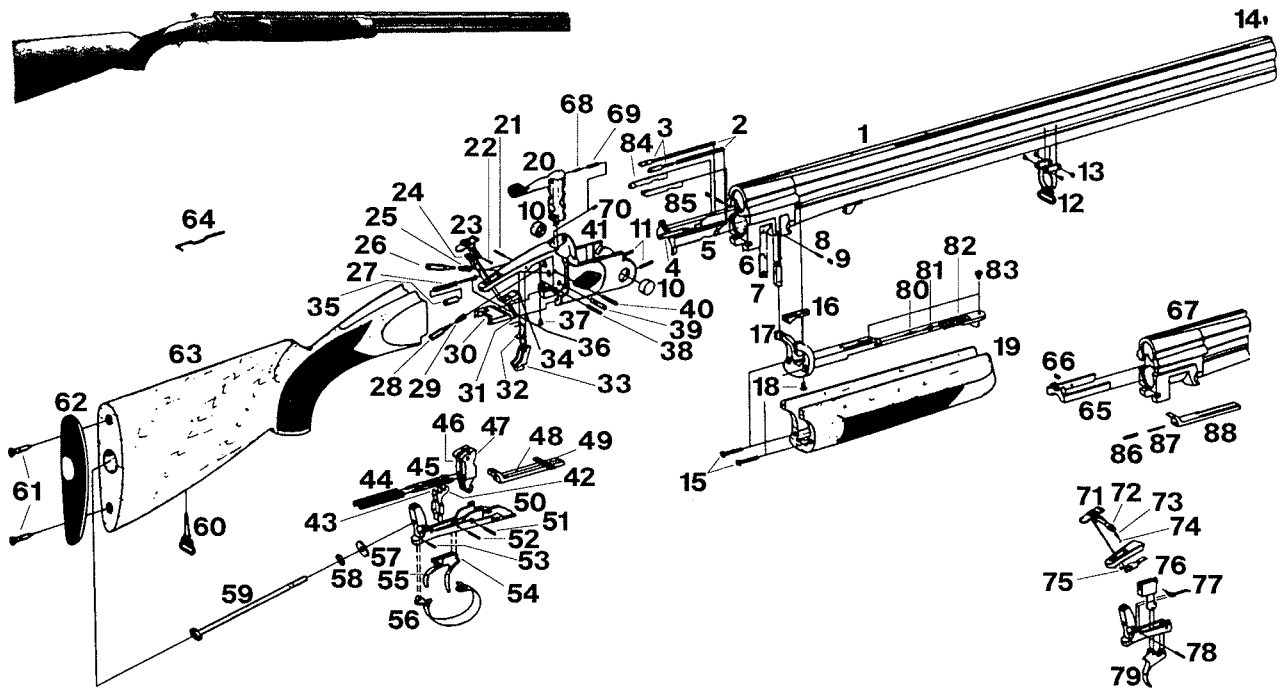
1	Scope Mount Base	18	Rear Sight, Complete
2	Cocking Piece	19	Receiver
3	Rebound Spring	20	Barrel
4	Firing Pin Spring	21	Front Sight
5	Cocking Piece Pin	22	Trigger Assembly Retaining Pin
6	Firing Pin	23	Sear Pin
7	Firing Pin Retaining Pin	24	Sear
8	Bolt	25	Trigger
9	Bolt Hold-Down Plunger	26	Sear Spring
10	Extractor Spring	27	Buttplate Screws
11	Extractor Plunger	28	Buttplate
12	Extractor	29	Stock
13	Bolt Assembly, Complete	30	Trigger Guard Screws
14	Rear Sight Elevation Screw	31	Trigger Guard
15	Rear Sight Slide	32	Takedown Screw
16	Rear Sight Aperture	33	Stock Escutcheon
17	Rear Sight Windage Screw	34	Barrel Retaining Screw

Bolt-Action Rifle



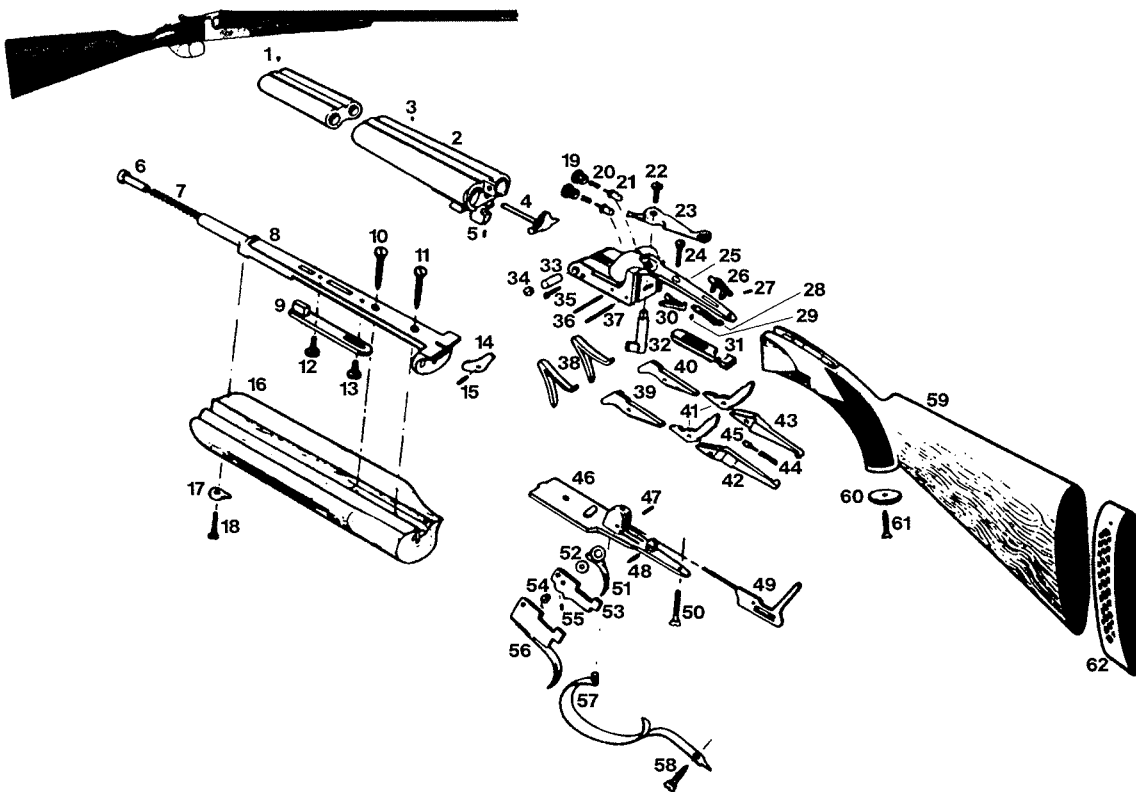
1	Barrel	32	Trigger Housing
2	Front Sight	33	Trigger Stop Pin
3	Front Sight Screw	34	Trigger Pin
4	Elevation Nut	35	Safety-Lever Pin
5	Rear Sight Slide	36	Trigger
6	Elevation Screw	37	Safety Button
7	Windage Washer	38	Safety Spring Plunger
8	Windage Screw	39	Safety-Lever
9	Rear Sight Aperture	40	Stock
10	Base Screw	41	Recoil Pad
11	Rear Sight Base	42	Recoil Pad Screws
12	Action Receiver	43	Trigger Guard/Magazine Case
13	Stop Barrel Screw	44	Rear Guard Assembly Screw
14	Firing Pin	45	Floorplate Catch
15	Firing Pin Spring	46	Floorplate Catch Spring
16	Bolt Sleeve	47	Floorplate Pin
17	Cocking Piece	48	Magazine Follower
18	Firing Pin Retaining Pin	49	Magazine Spring
19	Bolt Body	50	Floorplate
20	Ejector Spring	51	Floorplate Pin
21	Ejector	52	Front Guard Assembly Screw
22	Extractor Pin	53	Ejector Stop Pin
23	Extractor	54	Trigger Spring
24	Extractor Spring	55	Safety Spring
25	Bolt Stop Pin	56	Rear Swivel Stud
26	Bolt Stop	57	Rear Swivel
27	Bolt Stop Spring	58	Rear Swivel Screw
28	Sear Pin	59	Front Swivel Stud
29	Safety Pin	60	Front Swivel
30	Sear	61	Front Swivel Screw
31	Sear Spring		

Over/Under Shotgun



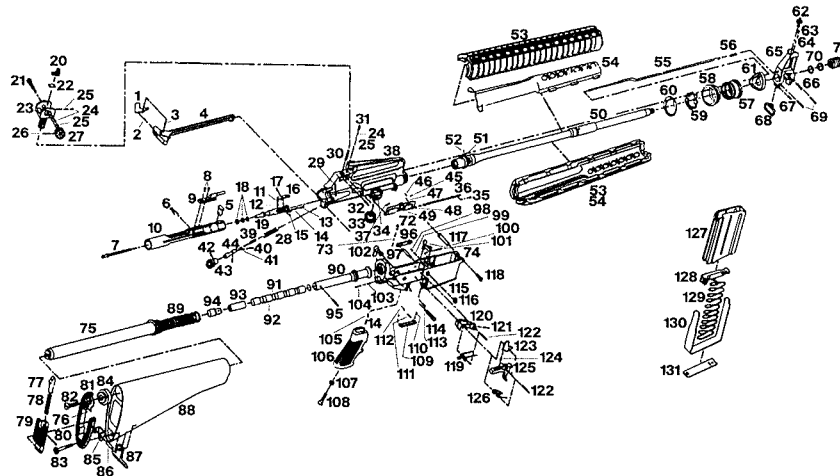
1	Barrels	31	Safety Spring	61	Buttplate Screws
2	Ejector Springs	32	Sear Springs	62	Buttplate
3	Ejector Spring Guides	33	Sear	63	Stock
4	Left Ejector	34	Safety Plate	64	Automatic Safety Bar
5	Right Ejector	35	Top Lever Spring Guide, Outside	65	Extractor
6	Left Ejector Catch Plate	36	Top Lever Spring Guide, Inside	66	Extractor Stop Screw
7	Right Ejector Catch Plate	37	Top Lever Spring Contrast Screw	67	Barrels
8	Catch Plate Stop Piston Spring	38	Trigger Plate Assembly Pin	68	Top Lever Stop Spring
9	Catch Plate Stop Piston	39	Top Lever Stop Pin	69	Top Lever Stop Pin
10	Joint Pin	40	Firing Pin Stop Pin	70	Top Lever Releasing Pin
11	Joint Pin Stop Pins	41	Frame	71	Single Trigger Safety
12	Front Sling Swivel	42	Right Trigger Plate	72	Safety Block
13	Swing Swivel Screws	43	Left Trigger Plate	73	Block Spring
14	Front Sight	44	Hammer Springs	74	Safety Position Ball
15	Forend Hinge Screws	45	Hammer Spring Guides	75	Single Trigger Safety Spring
16	Cocking Hook	46	Left Hammer	76	Inertia Block
17	Forend Iron	47	Right Hammer	77	Inertia Block Spring
18	Cocking Hook Screw	48	Right Cocking Bar	78	Single Trigger Pin
19	Forearm	49	Left Cocking Bar	79	Single Trigger
20	Top Lever	50	Trigger Plate	80	Forearm Catch Spring
21	Sear Pin	51	Hammer Pin	81	Forearm Catch Spring Guide
22	Safety Spring Pin	52	Trigger Pin	82	Forearm Catch
23	Safety Slide	53	Trigger Guard Stop Pin	83	Forearm Catch Screw
24	Strap Screw	54	Right Trigger	84	Left Ejector Hammer
25	Firing Pin Spring	55	Left Trigger	85	Right Ejector Hammer
26	Lower Firing Pin	56	Trigger Guard	86	Cocking Bar Spring Guide
27	Top Lever Spring	57	Stock Washer	87	Cocking Bar Spring
28	Upper Firing Pin	58	Stock Lock Washer	88	Cocking Bar
29	Firing Pin Spring	59	Stock Bolt		
30	Locking Bolt	60	Stock Sling Swivel		

Side-by-Side Shotgun



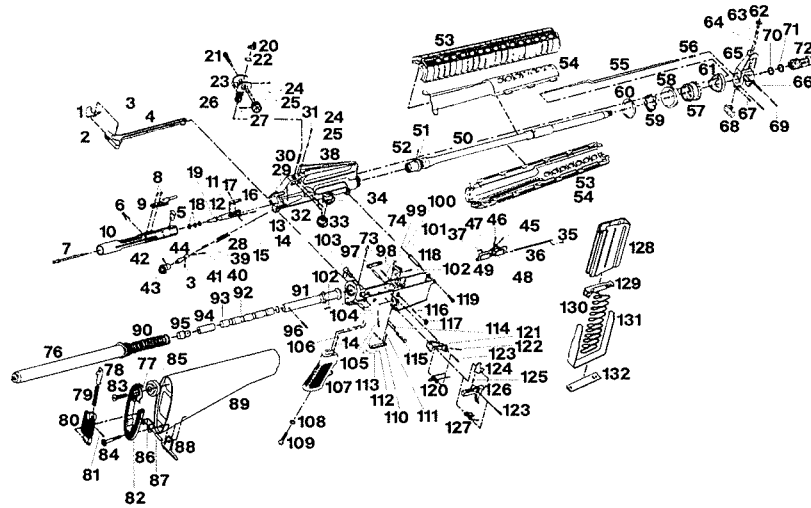
1	Front Sight Bead	30	Top Lever Spring
2	Barrels	31	Horizontal Bolt
3	Rear Sight Bead	32	Vertical Bolt
4	Extractor	33	Barrel Pivot Pin
5	Extractor Retaining Screw	34	Barrel Pivot Pin Cap
6	Forend Catch Button	35	Cocking Lever Pivot Screw
7	Forend Catch Spring	36	Hammer Pivot Pin
8	Forend Iron	37	Sear Pivot Pin
9	Forend Catch	38	Hammer Springs
10	Forend Mount Screw, Front	39	Cocking Lever, Left
11	Forend Mount Screw, Rear	40	Cocking Lever, Right
12	Forend Catch Screw, Front	41	Hammers
13	Forend Catch Screw, Rear	42	Sear, Left
14	Extractor Hammer Cocking Lever Activator	43	Sear, Right
15	Extractor Hammer Cocking Lever Screw	44	Sear Springs
16	Forend Wood	45	Sear Spring Guides
17	Forend Escutcheon	46	Trigger Plate
18	Forend Escutcheon Mounting Screw	47	Trigger Pin
19	Firing Pin Bushings	48	Safety Square Pin
20	Firing Pin Springs	49	Safety Activator
21	Firing Pins	50	Trigger Plate Screw, Rear
22	Top Lever Screw	51	Front Trigger
23	Top Lever	52	Trigger Roller
24	Upper Tang Screw	53	Trigger Housing
25	Breech Assembly	54	Front Trigger Screw
26	Safety Button	55	Front Trigger Hinge Spring
27	Safety Button Pin	56	Rear Trigger
28	Safety Spring	57	Trigger Guard
29	Safety Spring Screw	58	Trigger Guard Screw
		59	Stock
		60	Grip Cap
		61	Grip Cap Screw
		62	Buttplate

AR15-A2 Sporter Autoloading Rifle



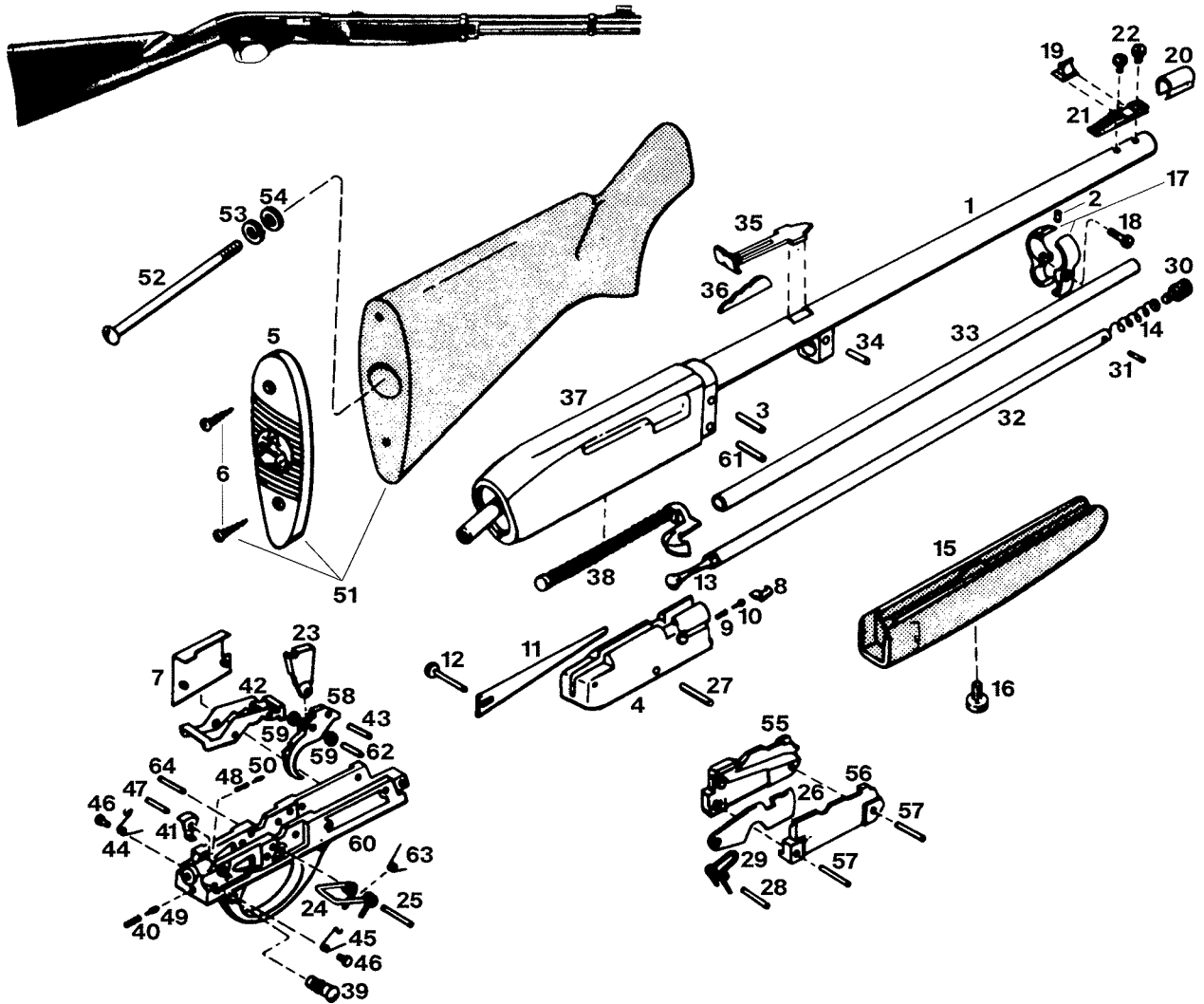
1	Charging Handle Latch	44	Forward Assist Plunger	88	Buttstock
2	Charging Handle Latch Spring	45	Cover Latch Retaining Pin	89	Action Spring
3	Charging Handle Latch Roll Pin	46	Cover Latch	90	Buffer Body
4	Charging Handle	47	Cover Latch Spring	91	Buffer Disc
5	Cam Pin	48	Cover Latch Housing	92	Buffer Weight
6	Firing Pin Retaining Pin	49	Ejection Slot Cover	93	Buffer Spacer
7	Firing Pin	50	Barrel	94	Buffer Bumper
8	Socket Head Cap Screws	51	Barrel Extension	95	Buffer Bumper Pin
9	Bolt Carrier Key	52	Barrel Indexing Pin	96	Magazine Catch Plate
10	Bolt Carrier	53	Handguard	97	Magazine Catch Shaft
11	Extractor Spring Insert	54	Handguard Liner	98	Bolt Catch Plunger
12	Extractor Spring	55	Gas Tube	99	Bolt Catch Spring
13	Ejector	56	Gas Tube Plug	100	Bolt Catch
14	Ejector and Safety Detent Spring	57	Barrel Nut	101	Bolt Catch Roll Pin
15	Ejector Roll Pin	58	Handguard Slip Ring	102	Safety Selector Lever
16	Extractor	59	Handguard	103	Takedown Pin Detent
17	Bolt Ring	60	Handguard Snap Ring	104	Takedown Pin Spring Detent
18	Extractor Pins	61	Handguard Cap	105	Safety Detent
19	Bolt	62	Front Sight Post	106	Pistol Grip
20	Rear Sight Aperture	63	Front Sight Detent	107	Lock Washer
21	Rear Sight Windage Screw	64	Front Sight Detent Spring	108	Pistol Grip Screw
22	Rear Sight Flat Spring	65	Front Sight	109	Trigger Guard
23	Rear Sight Base	66	Gas Tube Roll Pin	110	Roll Pin
24	Rear Sight Ball Bearing	67	Front Sling Swivel Rivet	111	Trigger Guard Plunger
25	Rear Sight Helical Spring	68	Front Sling Swivel	112	Trigger Guard Spring
26	Rear Sight Windage Knob	69	Front Sight Taper Pins	113	Trigger Guard Pivot Pin Roll Pin
27	Rear Sight Windage Knob	70	Compensator Spacer	114	Takedown Pin
28	Forward Assist Assembly Spring	71	Flash Suppressor	115	Magazine Catch Spring
29	Forward Assist Spring Pin	72	Buffer Retainer	116	Magazine Release Button
30	Rear Sight Elevation Spring	73	Buffer Retainer Spring	117	Receiver Pivot Pin
31	Index Screw	74	Lower Receiver	118	Receiver Pivot Pin Screw
32	Rear Sight Elevation Spring Pin	75	Receiver Extension	119	Hammer Spring
33	Rear Sight Elevation Knob	76	Buttplate Insert	120	Hammer
34	Rear Sight Elevation Index	77	Door Assembly Plunger	121	Hammer Pin Retainer
35	Cover Hinge Pin Snap Ring	78	Door Assembly Plunger Spring	122	Hammer and Trigger Pin
36	Cover Hinge Pin	79	Door Assembly Door	123	Disconnecter
37	Cover Spring	80	Door Assembly Door Pin	124	Disconnecter Spring
38	Upper Receiver	81	Buttcap	125	Trigger
39	Forward Assist Pawl	82	Buttcap Screw	126	Trigger Spring
40	Forward Assist Pawl Detent	83	Rear Swivel Screw	127	Magazine Box
41	Forward Assist Detent Spring	84	Buttcap Spacer	128	Magazine Follower
42	Forward Assist Cap Pin	85	Swivel Hinge	129	Magazine Spring
43	Forward Assist Cap	86	Rear Swivel Pin	130	Magazine Spacer
		87	Rear Sling Swivel	131	Magazine Bottom Plate

AR15-A2 Autoloading Rifle



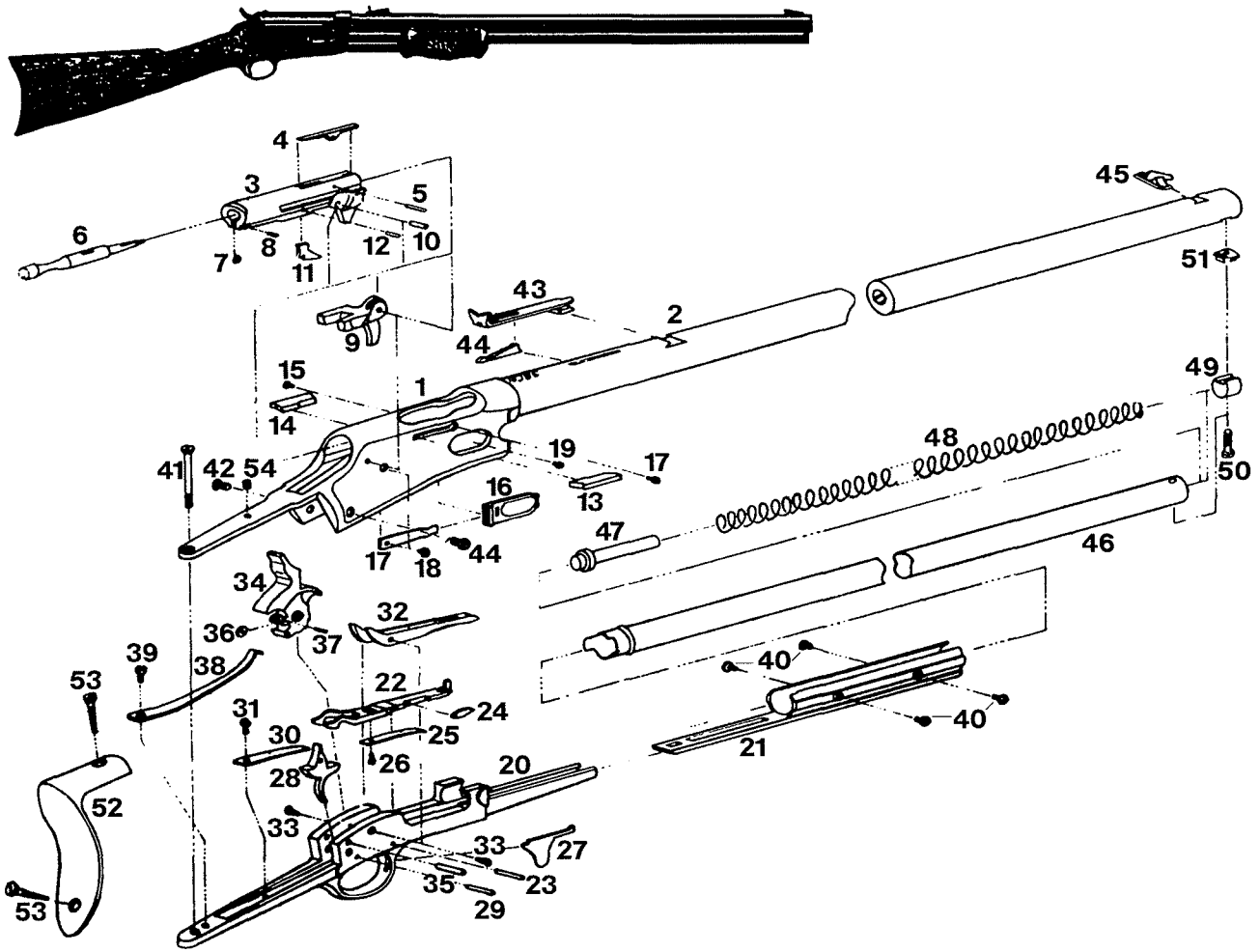
1	Charging Handle Latch	45	Cover Latch Retaining Pin	89	Buttstock
2	Charging Handle Latch Spring	46	Cover Latch	90	Action Spring
3	Charging Handle Latch Roll Pin	47	Cover Latch Spring	91	Buffer Body
4	Charging Handle	48	Cover Latch Housing	92	Buffer Disc
5	Cam Pin	49	Ejection Slot Cover	93	Buffer Weight
6	Firing Pin Retaining Pin	50	Barrel	94	Buffer Spacer
7	Firing Pin	51	Barrel Extension	95	Buffer Bumper
8	Socket Head Cap Screws	52	Barrel Indexing Pin	96	Buffer Bumper Pin
9	Bolt Carrier Key	53	Handguard	97	Magazine Catch Plate
10	Bolt Carrier	54	Handguard Liner	98	Magazine Catch Shaft
11	Extractor Spring Insert	55	Gas Tube	99	Bolt Catch Plunger
12	Extractor Spring	56	Gas Tube Plug	100	Bolt Catch Spring
13	Ejector	57	Barrel Nut	101	Bolt Catch
14	Ejector and Safety Detent Spring	58	Handguard Slip Ring	102	Bolt Catch Roll Pin
15	Ejector Roll Pin	59	Handguard	103	Safety Selector Lever
16	Extractor	60	Handguard Snap Ring	104	Takedown Pin Detent
17	Bolt Ring	61	Handguard Cap	105	Takedown Pin Spring Detent
18	Extractor Pins	62	Front Sight Post	106	Safety Detent
19	Bolt	63	Front Sight Detent	107	Pistol Grip
20	Rear Sight Aperture	64	Front Sight Detent Spring	108	Lock Washer
21	Rear Sight Windage Screw	65	Front Sight	109	Pistol Grip Screw
22	Rear Sight Flat Spring	66	Gas Tube Roll Pin	110	Trigger Guard
23	Rear Sight Base	67	Front Sling Swivel Rivet	111	Roll Pin
24	Rear Sight Ball Bearings	68	Front Sling Swivel	112	Trigger Guard Plunger
25	Rear Sight Helical Springs	69	Front Sight Taper Pins	113	Trigger Guard Spring
26	Rear Sight Windage Knob Spring Pin	70	Compensator Spacer	114	Trigger Guard Pivot Pin Roll Pin
27	Rear Sight Windage Knob	71	Compensator Spacer	115	Takedown Pin
28	Forward Assist Assembly Spring	72	Flash Suppressor	116	Magazine Catch Spring
29	Forward Assist Spring Pin	73	Buffer Retainer	117	Magazine Release Button
30	Rear Sight Elevation Spring	74	Buffer Retainer Spring	118	Receiver Pivot Pin
31	Index Screw	75	Lower Receiver	119	Receiver Pivot Pin Screw
32	Rear Sight Elevation Spring Pin	76	Receiver Extension	120	Hammer Spring
33	Rear Sight Elevation Knob	77	Buttplate Insert	121	Hammer
34	Rear Sight Elevation Index	78	Door Assembly Plunger	122	Hammer Pin Retainer
35	Cover Hinge Pin Snap Ring	79	Door Assembly Plunger Spring	123	Hammer and Trigger Pin
36	Cover Hinge Pin	80	Door Assembly Door	124	Disconnecter
37	Cover Spring	81	Door Assembly Door Pin	125	Disconnecter Spring
38	Upper Receiver	82	Buttcap	126	Trigger
39	Forward Assist Pawl	83	Buttcap Screw	127	Trigger Spring
40	Forward Assist Pawl Detent	84	Rear Swivel Screw	128	Magazine Box
41	Forward Assist Detent Spring	85	Buttcap Spacer	129	Magazine Follower
42	Forward Assist Cap Pin	86	Swivel Hinge	130	Magazine Spring
43	Forward Assist Cap	87	Rear Swivel Pin	131	Magazine Spacer
44	Forward Assist Plunger	88	Rear Sling Swivel	132	Magazine Bottom Plate

Colteer, Courier and Stagecoach Autoloading Rifle



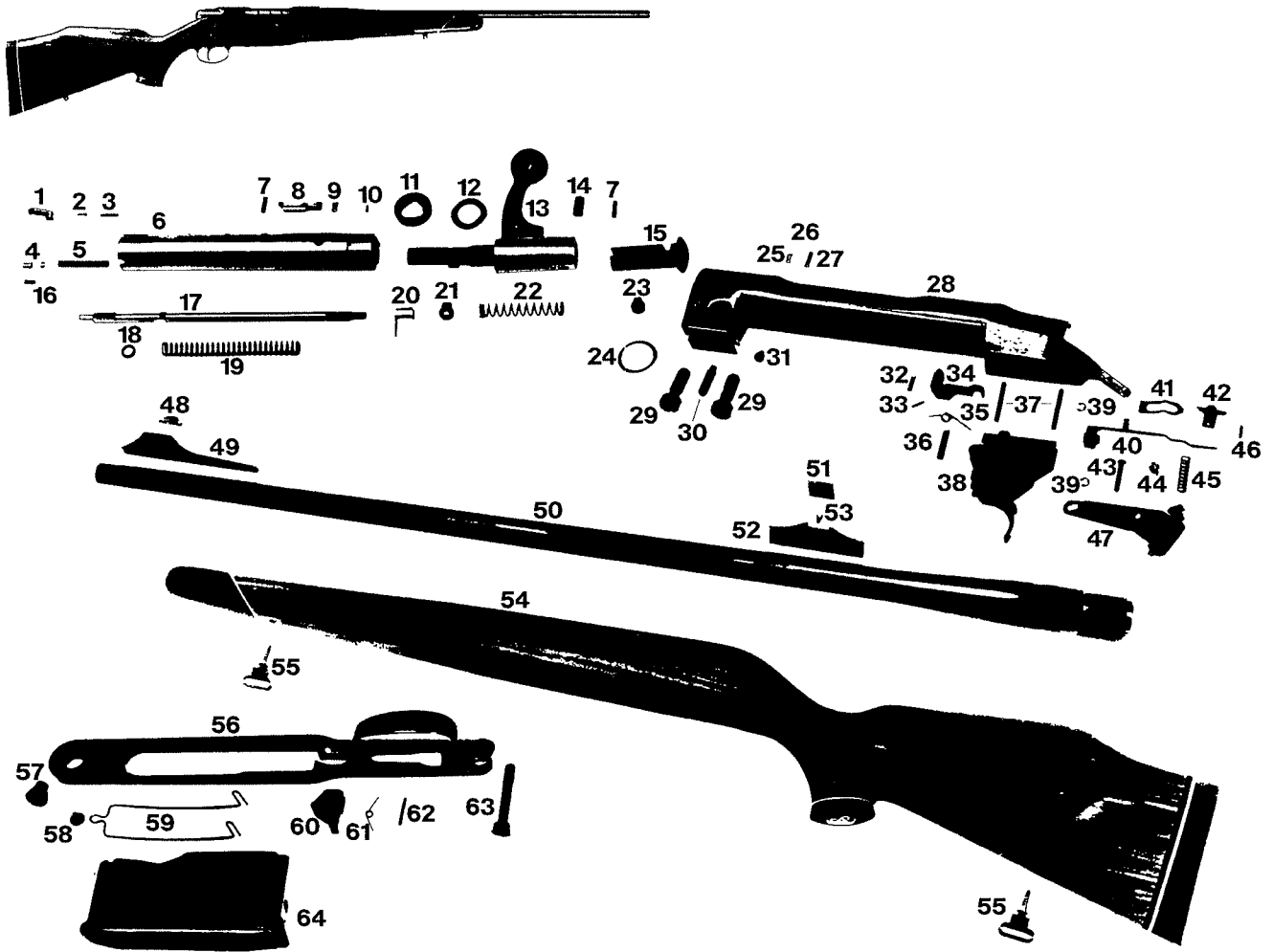
- | | | | | | |
|----|--------------------------|----|-----------------------------|----|---------------------------------|
| 1 | Barrel | 23 | Hammer | 45 | Sear Bar Spring, Right |
| 2 | Barrel Band Pin | 24 | Hammer Spring | 46 | Sear Bar Spring Pins |
| 3 | Barrel Retaining Pin | 25 | Hammer Spring Pin | 47 | Sear and Sear Bar Retaining Pin |
| 4 | Bolt | 26 | Lifter | 48 | Sear Detent Spring |
| 5 | Buttplate | 27 | Lifter Cam Pin | 49 | Safety Spring Detent |
| 6 | Buttplate Screws | 28 | Lifter Pin | 50 | Sear Spring Detent |
| 7 | Ejector Assembly | 29 | Lifter Spring | 51 | Stock |
| 8 | Extractor | 30 | Magazine Tube Cap | 52 | Stock Bolt |
| 9 | Extractor Spring | 31 | Magazine Tube Cap Pin | 53 | Stock Bolt Lock Washer |
| 10 | Extractor Spring Plunger | 32 | Magazine Tube, Inner | 54 | Stock Bolt Washer |
| 11 | Firing Pin | 33 | Magazine Tube, Outer | 55 | Throat, Left |
| 12 | Firing Pin Retaining Pin | 34 | Magazine Tube Retaining Pin | 56 | Throat, Right |
| 13 | Follower | 35 | Rear Sight Leaf | 57 | Throat Pins |
| 14 | Follower Spring | 36 | Rear Sight Elevator | 58 | Trigger |
| 15 | Forearm | 37 | Receiver | 59 | Trigger Bushings |
| 16 | Forearm Screw | 38 | Recoil Spring Assembly | 60 | Trigger Guard |
| 17 | Front Band | 39 | Safety | 61 | Trigger Guard Pin |
| 18 | Front Band Screw | 40 | Safety Detent Spring | 62 | Trigger Pin |
| 19 | Front Sight Bead | 41 | Sear | 63 | Trigger Spring |
| 20 | Front Sight Hood | 42 | Sear Bar | 64 | Trigger Stop Pin |
| 21 | Front Sight | 43 | Sear Bar Pin | | |
| 22 | Front Sight Screws | 44 | Sear Bar Spring, Left | | |

Lightning Slide-Action Rifle



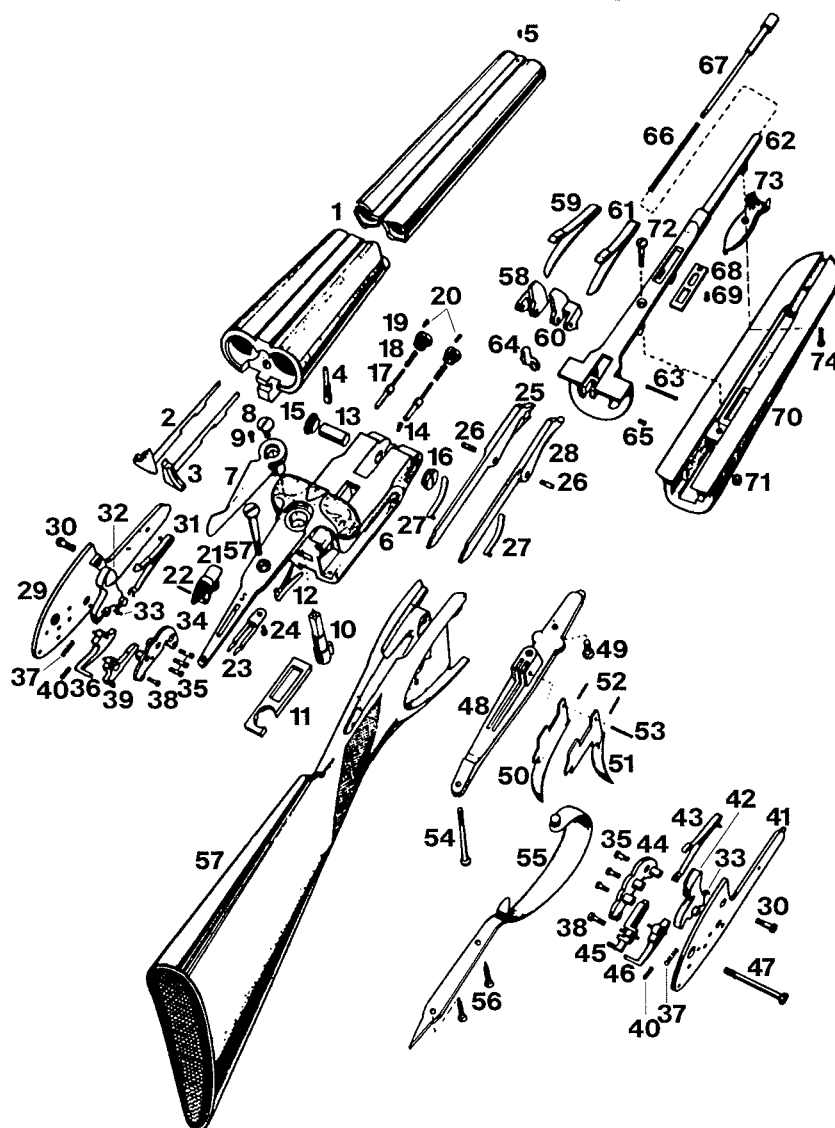
1	Receiver	23	Magazine Gate Pin	45	Front Sight
2	Barrel	24	Magazine Gate Locking Latch	46	Magazine Tube
3	Bolt	25	Magazine Gate Spring	47	Magazine Follower
4	Extractor	26	Magazine Gate Spring Screw	48	Magazine Spring
5	Extractor Pin	27	Slide Lock	49	Magazine Tube Cap
6	Firing Pin	28	Trigger	50	Magazine Tube Cap Screw
7	Bolt Roller Bearing	29	Trigger Pin	51	Magazine Barrel Lug
8	Bolt Roller Bearing Pin	30	Trigger Spring	52	Buttplate
9	Locking Brace	31	Trigger Spring Screw	53	Buttplate Screws
10	Locking Brace Pin	32	Cartridge Carrier	54	Blank Tang Screws
11	Firing Pin Lever	33	Cartridge Carrier Screws		
12	Firing Pin Lever Pin	34	Hammer	Parts Not Shown	
13	Ejector/Bolt Guide	35	Hammer Pin		Set Hammer
14	Ejector/Bolt	36	Mainspring Roller Bearing		Set-Trigger
15	Ejector/Bolt Guide Screw	37	Mainspring Roller Bearing Pin		Set Lock Hammer Fly
16	Magazine Gate Latch	38	Mainspring		Set Lock Sear
17	Magazine Gate Latch Spring	39	Mainspring Screw		Set Lock Adjusting Screw
18	Magazine Gate Spring Screw	40	Slide Arm Screws		Set Lock Sear Pin
19	Magazine Guide Screw	41	Tang Screw		Top Cover
20	Trigger Guard	42	Receiver Screws		Top Cover Screw
21	Slide	43	Rear Sight		
22	Magazine Gate	44	Rear Sight Elevator		

Bolt-Action Rifle



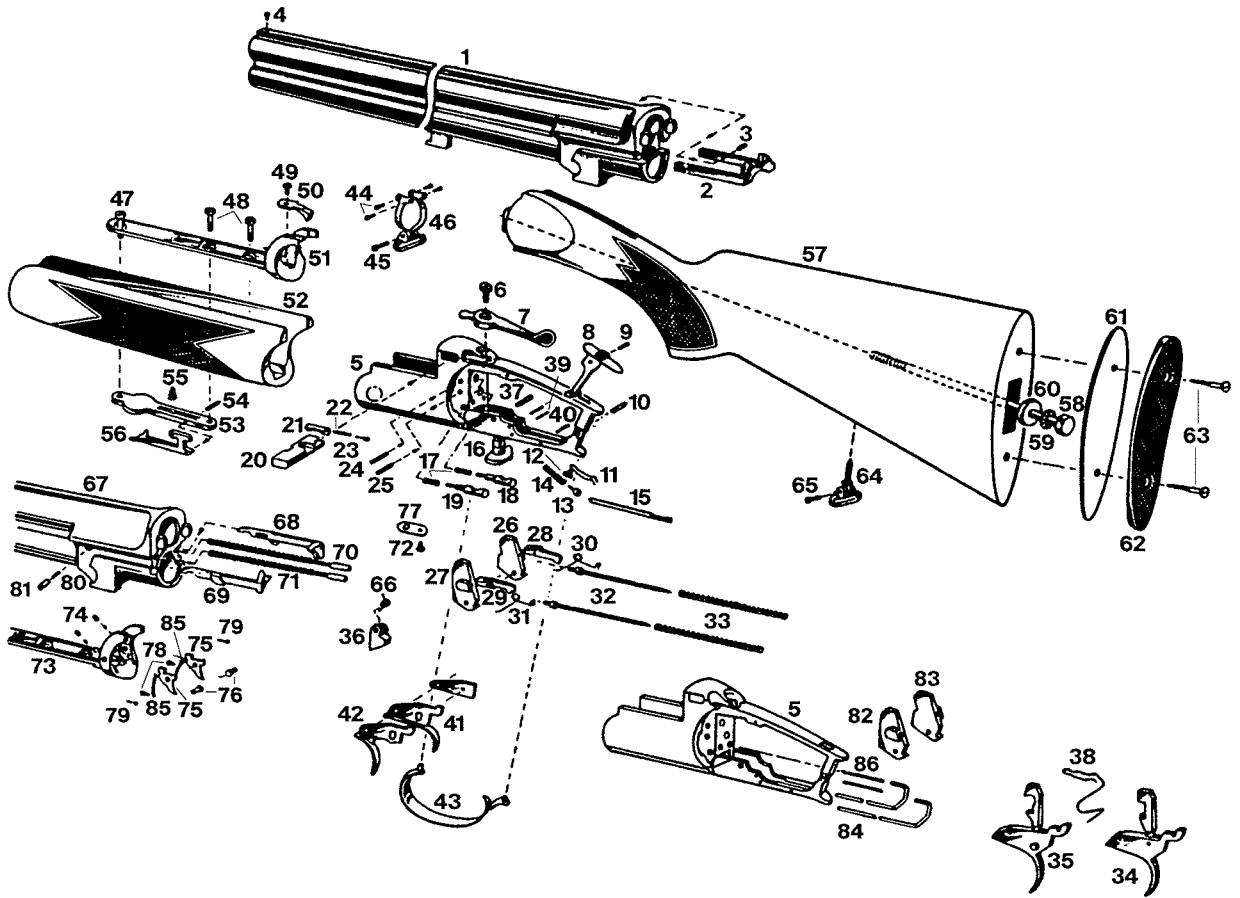
1	Extractor	23	Bolt Cap Pin	45	Safety Link Spring
2	Extractor Pin	24	Headspacer Ring	46	Safety Slide Pin
3	Extractor Spring	25	Indicator Spring	47	Bolt Stop Link
4	Ejector	26	Indicator Snap Ring	48	Front Sight
5	Ejector Spring	27	Indicator	49	Front Sight Base
6	Bolt Body	28	Receiver	50	Barrel
7	Bolt Body Lock Pins	29	Receiver Lock Screws	51	Rear Sight
8	Bolt Body Lock	30	Thread Screw	52	Rear Sight Base
9	Bolt Body Lock Spring	31	Safety Screw	53	Rear Sight Screw
10	Lug Pin	32	Bolt Lock Pin	54	Stock
11	Closing Cam Ring	33	Receiver Lock Pin	55	Swivel Assembly
12	Spring Ring	34	Bolt Catch	56	Trigger Guard
13	Bolt Locking Head	35	Bolt Catch Spring	57	Trigger Guard Screw, Front
14	Pressure Pin	36	Bolt Catch Pin	58	Magazine Ejector Screw
15	Lock	37	Trigger Mechanism Pins	59	Magazine Ejector Spring
16	Ejector Pin	38	Trigger Assembly	60	Magazine Latch
17	Firing Pin Assembly	39	Bolt Stop Link Pin Snap Rings	61	Magazine Latch Spring
18	Firing Pin Ring	40	Safety Connector	62	Magazine Latch Pin
19	Firing Pin Spring	41	Safety Slide Spring	63	Trigger Guard Screw, Rear
20	Cocking Piece	42	Safety Slide	64	Magazine
21	Firing Pin Key	43	Bolt Stop Link Pin		
22	Mainspring	44	Safety Link		

Derby Side-by-Side Shotgun



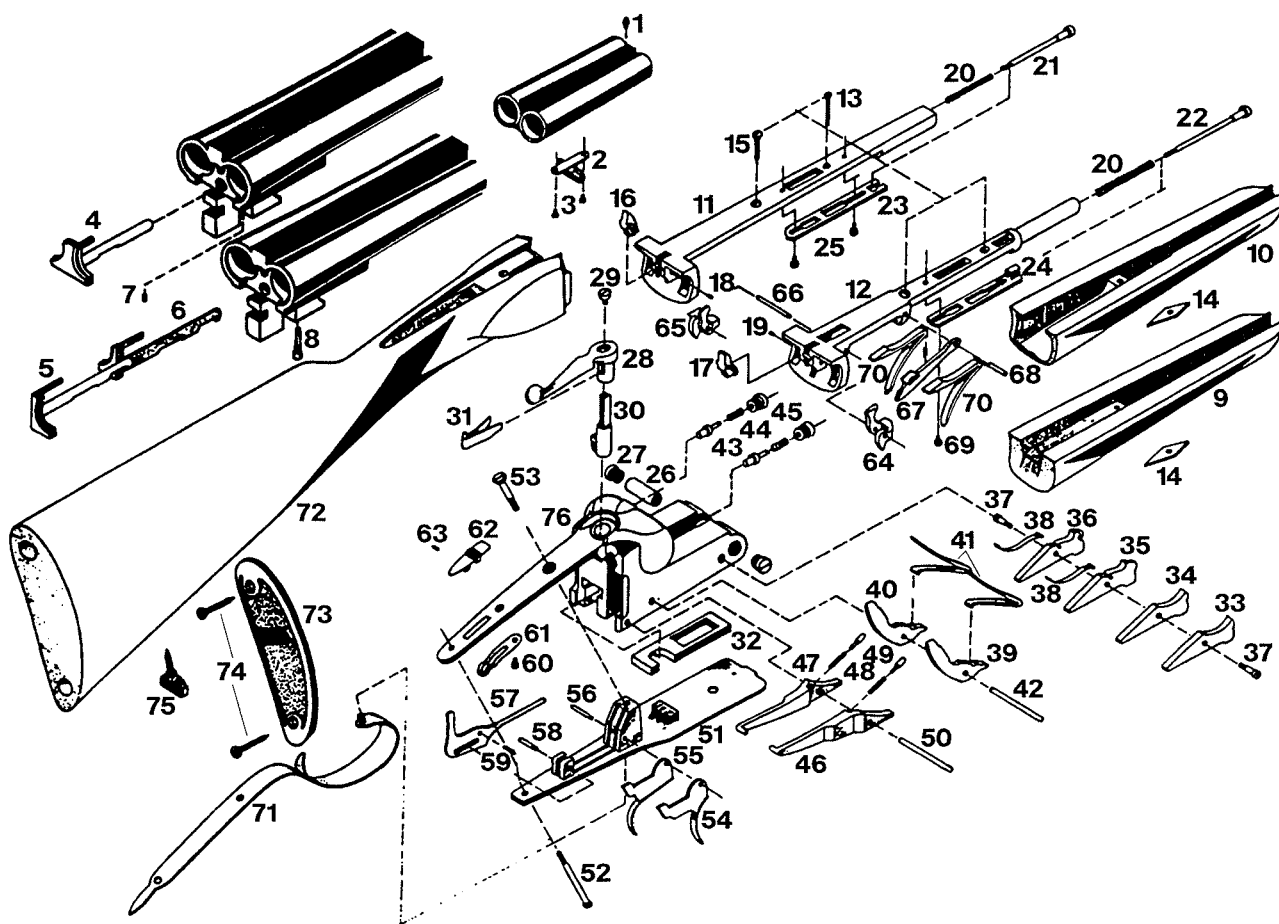
1	Barrel	23	Safety Spring	45	Double Safety Sear
2	Left Ejector	24	Safety Spring Screw	46	Sear
3	Right Ejector	25	Left Cocking Lever	47	Rear Sidelock Screw
4	Ejector Retaining Screw	26	Cocking Lever Springs	48	Trigger Plate
5	Front Sight Bead	27	Cocking Lever Springs	49	Trigger Plate Screw
6	Receiver	28	Right Cocking Lever	50	Rear Trigger
7	Top Lever	29	Left Sidelock	51	Front Trigger
8	Top Lever Screw	30	Sidelock Front Screw	52	Trigger Return Springs
9	Screw	31	Left Hammer Spring	53	Trigger Pin
10	Vertical Bolt	32	Left Hammer	54	Trigger Plate Screw
11	Horizontal Bolt	33	Stirrup	55	Trigger Guard
12	Top Lever Spring	34	Hammer and Sear Ledge, Left	56	Trigger Guard Screws
13	Barrel Pivot Pin	35	Ledge Screws	57	Stock
14	Barrel Pivot Pin Retainer	36	Sear	58	Left Ejector Latch
15	Barrel Pivot Pin Cap	37	Sear Springs	59	Left Ejector Spring
16	Barrel Pivot Pin Cap	38	Sear Screw	60	Right Ejector Latch
17	Firing Pins	39	Double Safety Sear	61	Right Ejector Spring
18	Firing Pin Springs	40	Safety Sear Springs	62	Forearm Iron
19	Firing Pin Bushings	41	Right Sidelock	63	Forearm Latch Screw
20	Firing Pin Bushing Lock Screws	42	Right Hammer	64	Extractor Hammer Cocking Lever Activator
21	Safety Button	43	Right Hammer Spring		
22	Safety Button Pin	44	Hammer and Sear Ledge, Right		

Silver, Lince and Bristol Over/Under Shotgun



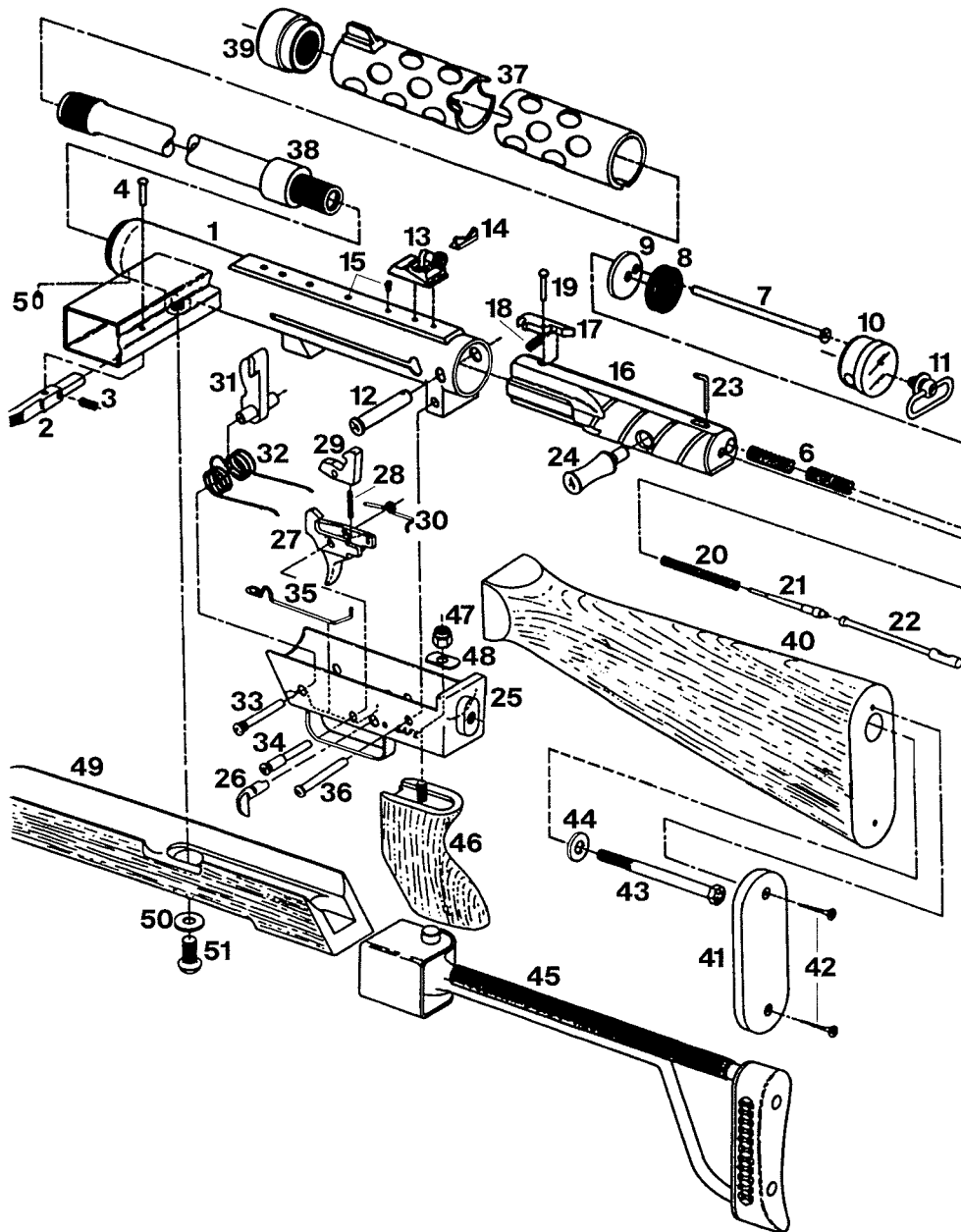
1	Barrels	30	Right Sear Spring	59	Stock Mounting Bolt Lock Washer
2	Extractors	31	Left Sear Spring	60	Stock Mounting Bolt Washer
3	Extractor Screw	32	Hammer Plungers	61	Buttplate Spacer
4	Front Side Bead	33	Main Hammer Springs	62	Plastic Buttplate
5	Receiver	34	Single Non-Selective Trigger	63	Buttplate Screws
6	Top Lever Screw	35	Single Selective Trigger	64	Rear Sling Swivel
7	Top Lever	36	Cocking Block	65	Rear Sling Swivel Screw
8	Safety Button	37	Hammer Pin	66	Cocking Block Spring
9	Safety Button Pin	38	Trigger Return Spring	67	Barrels
10	Trigger Guard Retaining Pin	39	Sear Pins	68	Lower Ejector
11	Safety Spring	40	Trigger Pin	69	Upper Ejector
12	Safety Spring Screw	41	Rear Trigger	70	Ejector Spring Plungers
13	Bolt Lever Spring Guide	42	Front Trigger	71	Ejector Springs
14	Bolt Lever Spring	43	Trigger Guard	72	Cocking Rod Retaining Screw
15	Cocking Rod	44	Front Sling Swivel Screws, Top	73	Forearm Iron
16	Bolt Lever	45	Front Sling Swivel Screws, Bottom	74	Ejector Latch Springs
17	Firing Pin Spring	46	Front Sling Swivel	75	Ejector Latches
18	Lower Firing Pin	47	Forearm Screws, Front	76	Ejector Latch Pins
19	Upper Firing Pin	48	Forearm Screws, Rear	77	Cocking Rod Retainer
20	Bolt	49	Cocking Log Screw	78	Screws
21	Bolt Detent	50	Cocking Log Screw	79	Ejector Latch Pin Retainers
22	Bolt Detent Spring	51	Forearm Iron	80	Spring
23	Bolt Detent Spring Guide	52	Forearm Stock	81	Ejector Retainer
24	Upper Firing Pin Retainer	53	Takedown Lever Bracket	82	Lower Hammer
25	Lower Firing Pin Retainer	54	Takedown Lever Pin	83	Upper Hammer
26	Lower Hammer	55	Takedown Lever Spring	84	Ejector Operating Rods
27	Upper Hammer	56	Takedown Lever	85	Ejector Latch Springs
28	Right Sear	57	Stock	86	Ejector Rod Springs
29	Left Sear	58	Stock Mounting Bolt		

York and Shogun Side-by-Side Shotgun



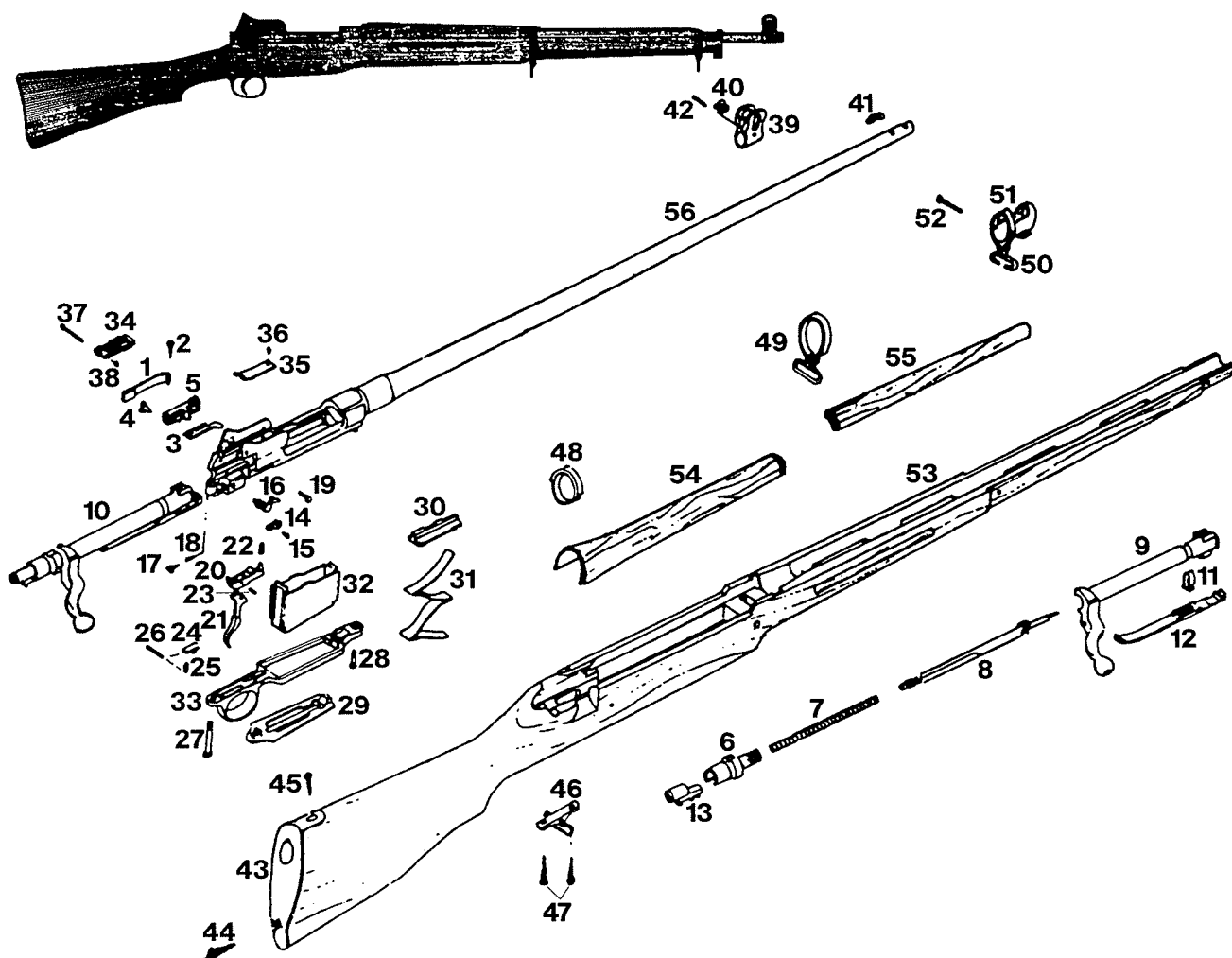
- | | | | | | |
|----|---|----|--------------------------------|----|---|
| 1 | Front Sight Bead | 23 | Forearm Catch, Extractor Model | 51 | Trigger Plate |
| 2 | Front Sling Swivel | 24 | Forearm Catch, Ejector Model | 52 | Trigger Plate Screw |
| 3 | Front Sling Swivel Screws | 25 | Forearm Catch Screws | 53 | Upper Tang Screw |
| 4 | Extractor | 26 | Barrel Pivot Pin | 54 | Front Trigger |
| 5 | Right Ejector | 27 | Barrel Pivot Pin Cap | 55 | Rear Trigger |
| 6 | Left Ejector | 28 | Top Lever | 56 | Trigger Pin |
| 7 | Extractor Retaining Screw | 29 | Top Lever Screw | 57 | Safety Activator |
| 8 | Ejector Retaining Screw | 30 | Vertical Bolt | 58 | Safety Square Pin |
| 9 | Forearm, Extractor Model | 31 | Top Lever Spring | 59 | Safety Bar |
| 10 | Forearm, Ejector Model | 32 | Locking Bar | 60 | Safety Spring Screw |
| 11 | Forearm Iron, Extractor Model | 33 | Cocking Lever, Right | 61 | Safety Spring |
| 12 | Forearm Iron, Ejector Model | 34 | Cocking Lever, Left | 62 | Safety Button |
| 13 | Forearm Mounting Screw | 35 | Cocking Lever, Right | 63 | Safety Button Pin |
| 14 | Forearm Escutcheon | 36 | Cocking Lever, Left | 64 | Right Ejector Latch |
| 15 | Forearm Mounting Screw | 37 | Cocking Lever Retaining Screws | 65 | Left Ejector Latch |
| 16 | Hammer Cocking Lever Activator, Extractor Model | 38 | Cocking Lever Return Spring | 66 | Ejector Latch Pin |
| 17 | Hammer Cocking Lever Activator, Ejector Model | 39 | Right Hammer | 67 | Hammer Cocking Lever Activator, Ejector Model |
| 18 | Hammer Cocking Lever Activator Retaining Screw, Extractor Model | 40 | Left Hammer | 68 | Hammer Cocking Lever Activator Pin |
| 19 | Hammer Cocking Lever Activator Retaining Screw, Ejector Model | 41 | Hammer Spring | 69 | Set Screw |
| 20 | Forearm Catch Spring | 42 | Hammer Pin | 70 | Ejector Springs |
| 21 | Forearm Catch Button, Extractor Model | 43 | Firing Pins | 71 | Trigger Guard |
| 22 | Forearm Catch Button, Ejector | 44 | Firing Pin Return Spring | 72 | Stock |
| | | 45 | Firing Pin Bushing | 73 | Plastic Buttplate |
| | | 46 | Right Sear | 74 | Buttplate Screws |
| | | 47 | Left Sear | 75 | Rear Sling Swivel |
| | | 48 | Sear Springs | 76 | Receiver |
| | | 49 | Sear Spring Guides | | |
| | | 50 | Sear Pin | | |

Autoloading Carbine



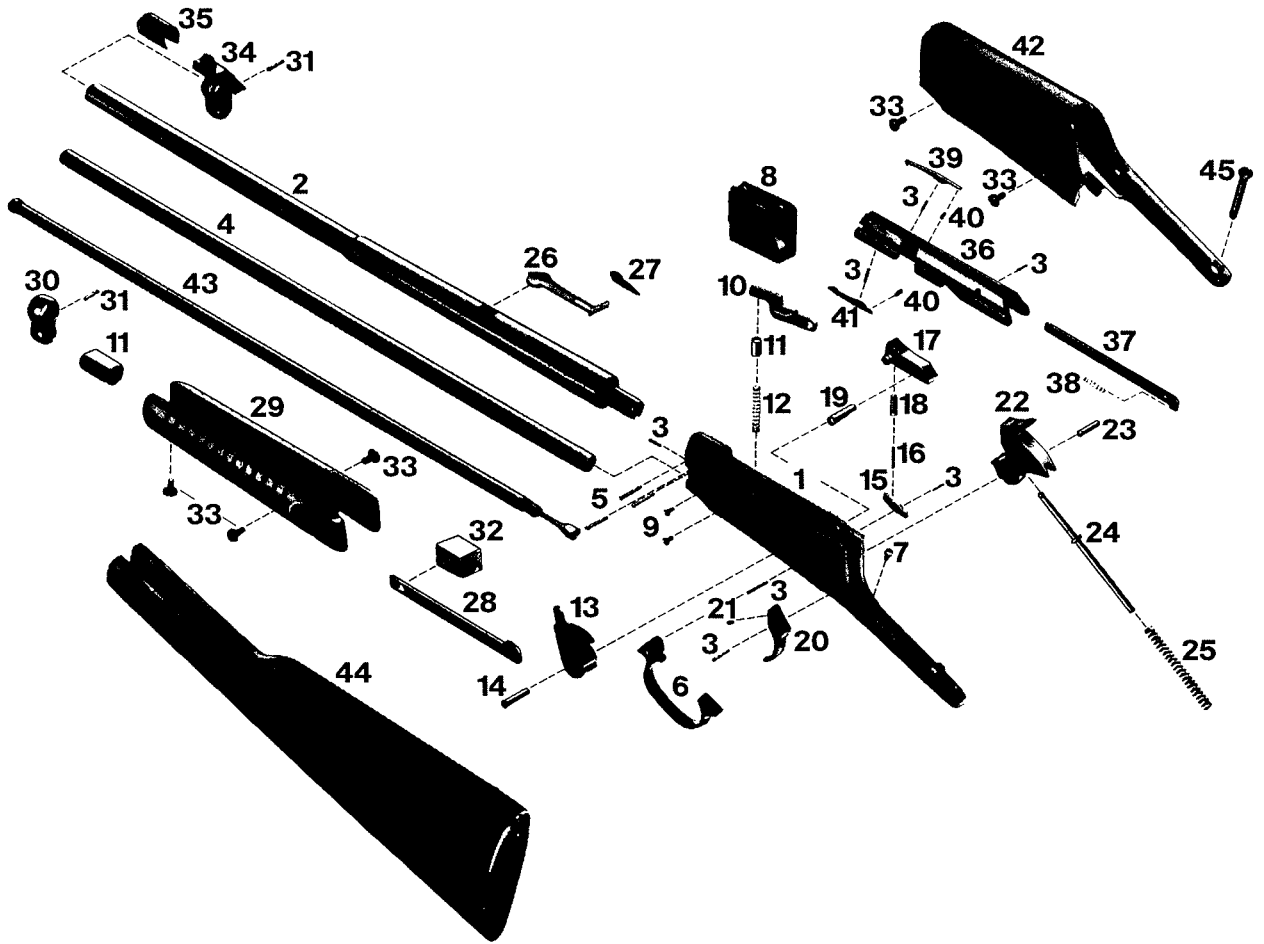
1	Receiver	18	Extractor Spring	35	Safety Pin Clip
2	Magazine Catch	19	Extractor Pin	36	Trigger Housing Pin
3	Magazine Catch Spring	20	Firing Pin Spring	37	Shroud
4	Magazine Catch Pin	21	Firing Pin	38	Barrel
5	Shroud Locator Pin	22	Firing Pin Extension	39	Barrel End Cap
6	Recoil Spring	23	Firing Pin Extension Clip	40	Buttstock
7	Recoil Spring Guide	24	Operating Handle	41	Buttplate
8	Recoil Buffer, Rubber	25	Trigger Housing	42	Buttplate Screws
9	Recoil Buffer, Steel	26	Safety-Lever	43	Buttstock Bolt
10	Receiver End Cap	27	Trigger	44	Buttstock Bolt Washers
11	Pistol Sling Swivel	28	Disconnecter Spring	45	Folding Stock
12	Receiver End Cap Pin	29	Disconnecter	46	Pistol Grip
13	Rear Sight, Peep	30	Trigger Return Spring	47	Pistol Grip Nut
14	Rear Sight, Blade	31	Hammer	48	Pistol Grip Washer
15	Filler Screws	32	Hammer Spring	49	Forend
16	Bolt	33	Hammer Pin	50	Forend Washer
17	Extractor	34	Trigger Pin	51	Forend Bolt

Model 1917 Bolt-Action Rifle



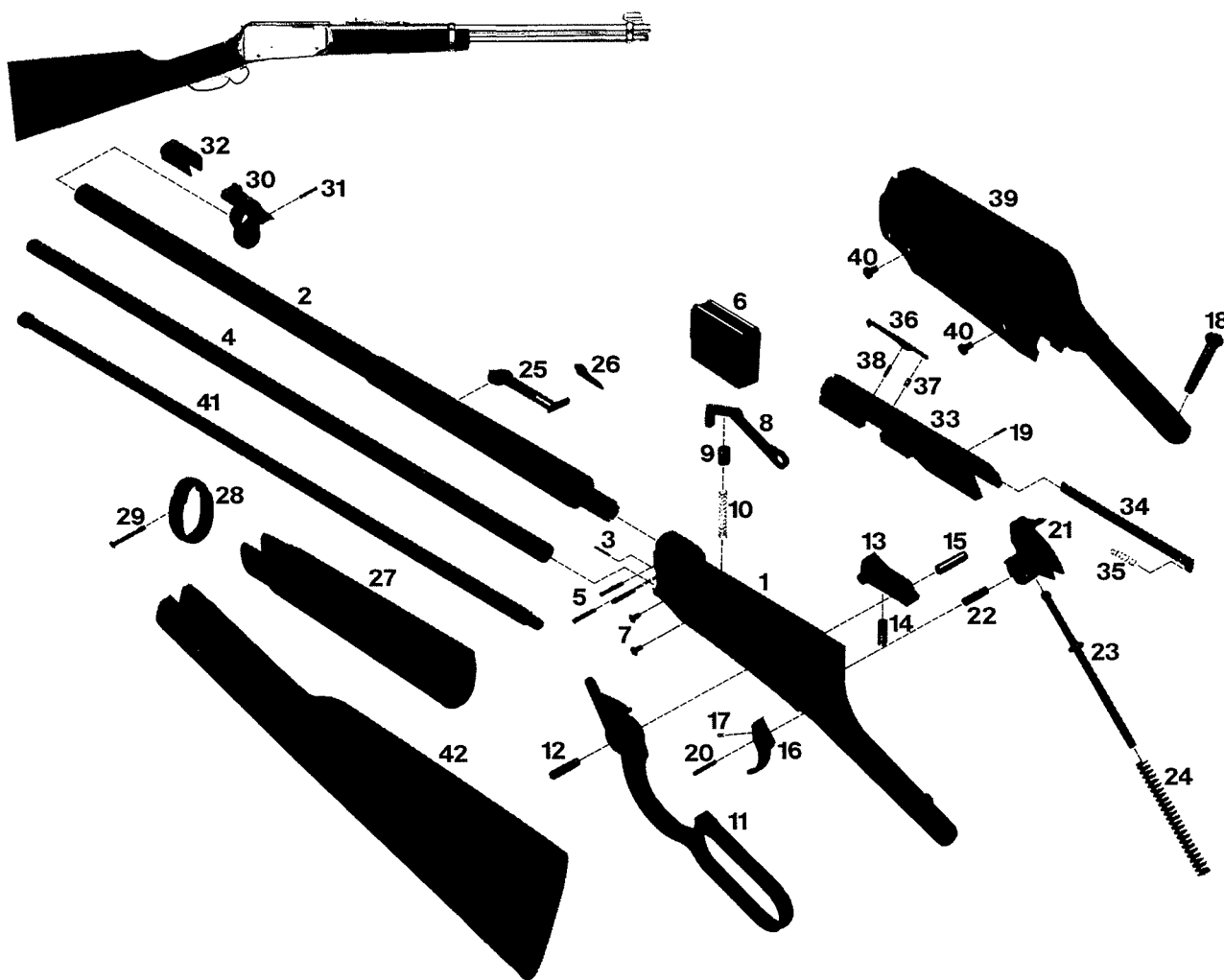
1	Bolt Stop Spring	25	Floorplate Catch Spring	49	Lower Band Assembly
2	Bolt Stop Screw	26	Floorplate Catch Pin	50	Stacking Swivel
3	Ejector	27	Rear Guard Screw	51	Upper Band
4	Bolt Stop Spring Rest	28	Front Guard Screw	52	Upper Band Screw
5	Bolt Stop	29	Floorplate	53	Stock
6	Bolt Sleeve	30	Follower	54	Handguard, Lower
7	Mainspring	31	Magazine Spring	55	Handguard, Upper
8	Firing Pin	32	Magazine Box	56	Barrel
9	Bolt, Stripped	33	Trigger Guard		Parts Not Shown
10	Bolt, Complete	34	Rear Sight		Follower Depressor
11	Extractor Collar	35	Rear Sight Base Spring		Front Guard Screw Bushing
12	Extractor	36	Rear Sight Base Screw		Lower Band
13	Cocking Piece	37	Rear Sight Axis Screw		Lower Band Screw
14	Safety Lock Holder	38	Rear Sight Axis Nut		Plate Spring
15	Safety Lock Holder Screw	39	Front Sight Carrier		Rear Guard Screw Bushing
16	Safety	40	Front Sight Blade		Rear Sight Slide
17	Safety Lock Plunger	41	Front Sight Spline		Rear Sight Slide Spring
18	Safety Lock Plunger Spring	42	Front Sight Pin		Rear Swivel Base
19	Sear Pin	43	Buttplate		Sling Swivel
20	Sear	44	Buttplate Screw, Large		Stacking Swivel Screw
21	Trigger	45	Buttplate Screw, Small		
22	Sear Spring	46	Rear Swivel Assembly		
23	Trigger Pin	47	Rear Swivel Base Screws		
24	Floorplate Catch	48	Handguard Ring		

EG 722 Autoloading Rifle



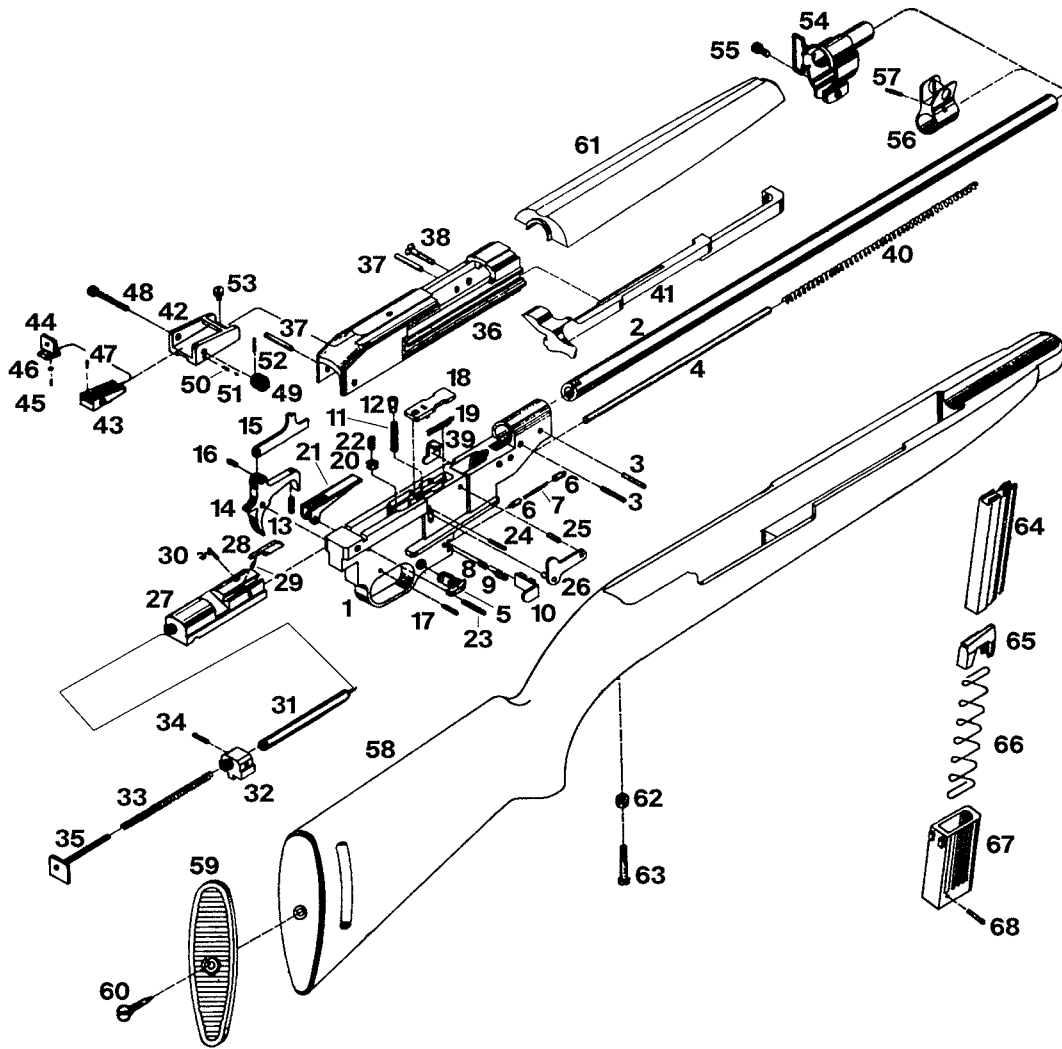
1	Frame	24	Mainspring Guide
2	Barrel	25	Mainspring
3	Cylindrical Pins	26	Rear Sight
4	Magazine Tube, Outside	27	Rear Sight Elevator
5	Tapered Pins	28	Operating Slide
6	Trigger Guard	29	Forearm
7	Screw	30	Intermediate Band
8	Carrier	31	Conical Pin
9	Countersunk Screws	32	Bushing Guide
10	Carrier Lever	33	Set Screws with Disk
11	Sleeve	34	Front Sight
12	Carrier Spring	35	Front Sight Cover
13	Action Lever	36	Breechbolt
14	Action Lever Pin	37	Firing Pin
15	Detent	38	Firing Pin Spring
16	Detent Spring	39	Extractor
17	Locking Bar	40	Extractor Spring
18	Locking Bar Spring	41	Ejector
19	Locking Bar Pin	42	Receiver
20	Trigger	43	Magazine
21	Trigger Spring	44	Buttstock, Complete
22	Hammer	45	Upper Tang Screw
23	Hammer Pin		

EG 73 Lever-Action Rifle



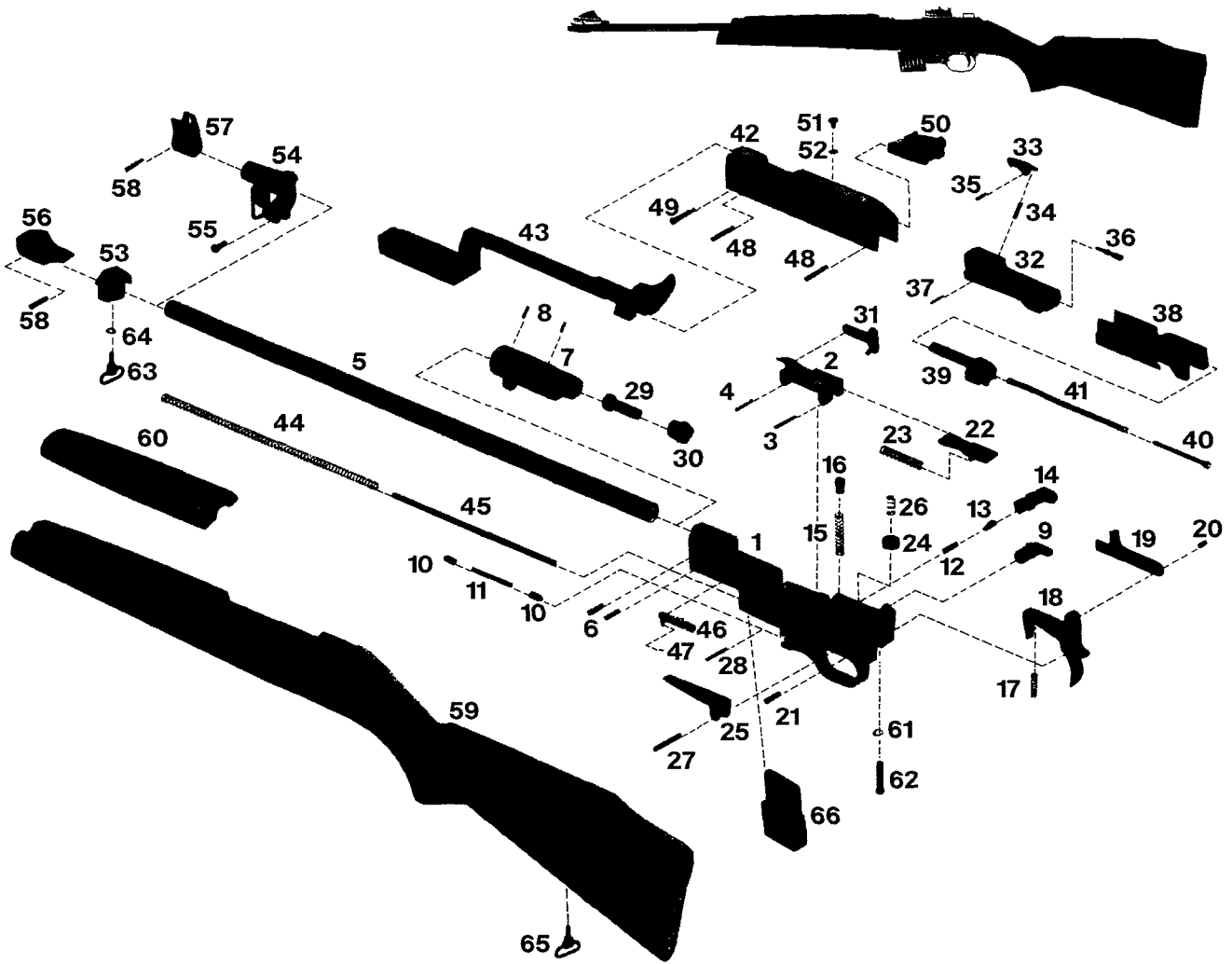
1	Frame	21	Hammer
2	Barrel	22	Hammer Pin
3	Locating Pin	23	Mainspring Guide
4	Magazine Tube, Outside	24	Mainspring
5	Magazine Tube and Barrel Retaining Pins	25	Rear Sight
6	Carrier	26	Rear Sight Elevator
7	Action Set Screws	27	Forend
8	Carrier Lever	28	Rear Barrel Band
9	Carrier Spring Plunger	29	Rear Barrel Band Screw
10	Carrier Spring	30	Front Sight
11	Finger Lever	31	Upper Barrel Band Pin
12	Finger Lever Axis Pin	32	Front Sight Hood
13	Locking Bar	33	Breechbolt
14	Locking Bar Spring	34	Firing Pin
15	Locking Bar Pin	35	Firing Pin Spring
16	Trigger	36	Extractor
17	Trigger Spring	37	Extractor Spring
18	Upper Tang Screw	38	Extractor Pivot Pin
19	Firing Pin Retaining Pin	39	Receiver
20	Trigger Pivot Pin	40	Receiver Screws
		41	Magazine Tube
		42	Buttstock

EM1 Autoloading Rifle



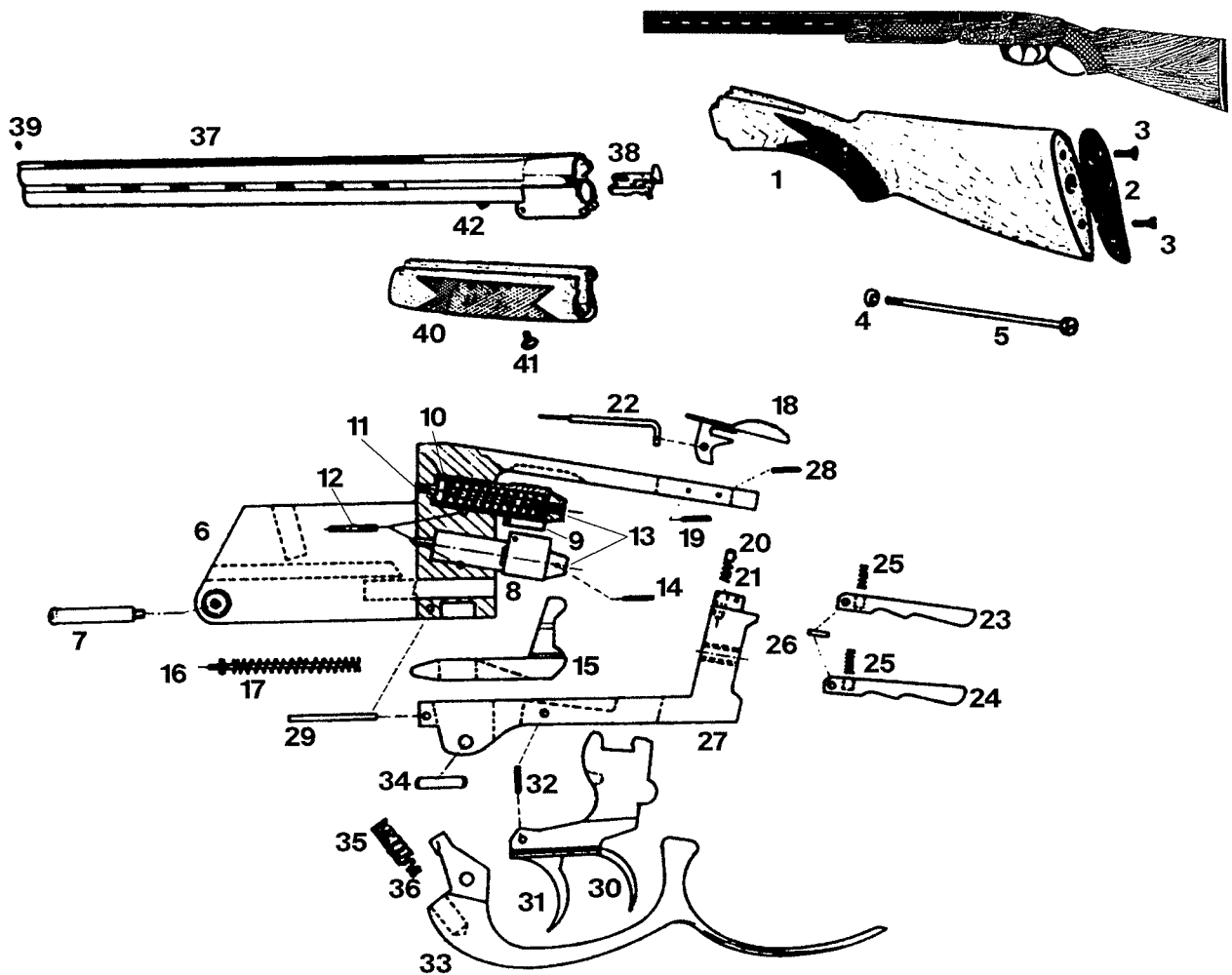
1	Trigger Housing	24	Sear Release Plate Pin	47	Rear Sight Ramp Pin
2	Barrel	25	Sear Release Pin	48	Rear Sight Windage Screw
3	Barrel Pins	26	Sear Release	49	Rear Sight Windage Knob
4	Operating Slide Spring Guide	27	Bolt	50	Windage Stop Spring
5	Safety-Lever	28	Extractor	51	Windage Stop Ball
6	Safety Detent Plungers	29	Extractor Spring	52	Windage Stop Pin
7	Safety Detent Plunger Spring	30	Extractor Pin	53	Rear Sight Base Screw
8	Magazine Catch Spring	31	Firing Pin	54	Front Band Assembly
9	Magazine Catch Spring Plunger	32	Firing Pin Collar	55	Front Band Screw
10	Magazine Catch	33	Firing Pin Spring	56	Front Sight Assembly
11	Trigger Bar Spring	34	Firing Pin Collar Pin	57	Front Sight Pin
12	Trigger Bar Spring Plunger	35	Recoil Plate	58	Stock
13	Trigger Spring	36	Receiver	59	Buttplate
14	Trigger	37	Trigger Housing Retaining Pins	60	Buttplate Screw
15	Trigger Bar	38	Receiver Screw	61	Handguard
16	Trigger Bar Pin	39	Ejector	62	Rear Guard Screw Escutcheon
17	Trigger Pin	40	Operating Slide Spring	63	Rear Guard Screw
18	Sear Release Plate	41	Operating Slide	64	Magazine Body
19	Sear Release Plate Spring	42	Rear Sight Base	65	Magazine Follower
20	Sear Spring Plunger	43	Rear Sight Ramp	66	Magazine Spring
21	Sear	44	Rear Sight Aperture	67	Magazine Body Housing
22	Sear Spring	45	Rear Sight Aperture Spring	68	Magazine Body Housing Pin
23	Sear Retaining Pin	46	Rear Sight Aperture Spring Ball		

ESG 22 Autoloading Rifle



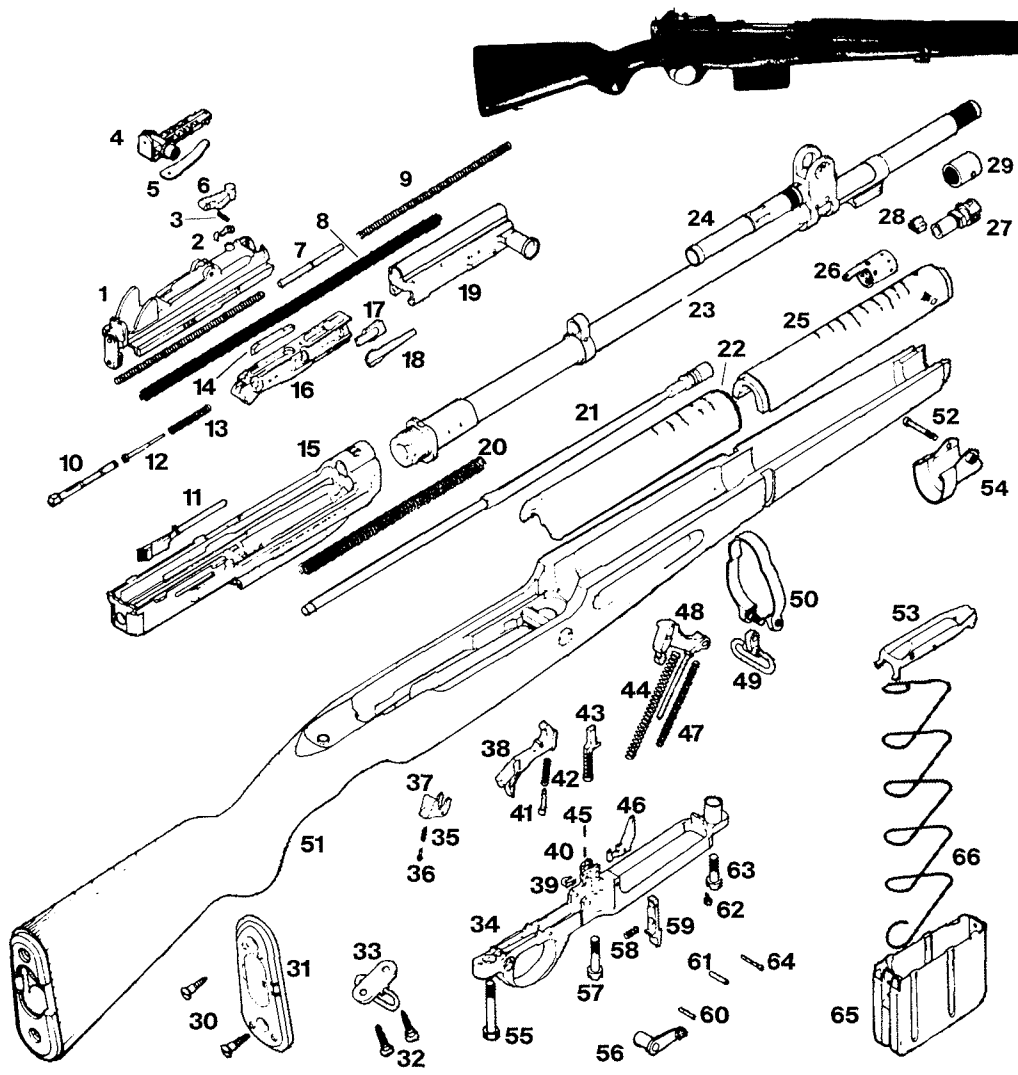
1	Trigger Housing	24	Sear Spring Plunger	47	Bolt Catch Plunger Spring
2	Sear Block	25	Sear	48	Trigger Housing Retaining Pins
3	Long Sear Block Pin	26	Sear Spring	49	Receiver Screw
4	Short Sear Block Pin	27	Sear Pin	50	Rear Sight Assembly
5	Barrel	28	Sear Release Plate Pin	51	Rear Sight Mounting Screw
6	Barrel Pins	29	Gas Piston	52	Rear Sight Mounting Screw
7	Gas Cylinder	30	Gas Piston Screw		Washer
8	Gas Cylinder Locking Pins	31	Sear Release	53	Front Band Assembly
9	Safety-Lever	32	Bolt	54	Front Band Assembly (M1 type)
10	Safety Detent Plungers	33	Extractor	55	Front Band Screw (M1 type)
11	Safety Detent Plunger Spring	34	Extractor Spring	56	Front Sight Assembly
12	Magazine Catch Spring	35	Extractor Pin	57	Front Sight Assembly (M1 type)
13	Magazine Catch Spring Plunger	36	Firing Pin	58	Front Sight Assembly Pin
14	Magazine Catch	37	Firing Pin Retaining Pin	59	Stock
15	Trigger Bar Spring	38	Bolt Carrier	60	Handguard
16	Trigger Bar Spring Plunger	39	Firing Pin Striker	61	Rear Guard Screw Washer
17	Trigger Spring	40	Firing Pin Striker Spring Guide	62	Rear Guard Screw
18	Trigger	41	Firing Pin Striker Spring	63	Sling Swivel, Front
19	Trigger Bar	42	Receiver	64	Sling Swivel Washer
20	Trigger Bar Pin	43	Operating Slide	65	Sling Swivel, Rear
21	Trigger Pin	44	Operating Slide Spring	66	Magazine
22	Sear Release Plate	45	Operating Slide Spring Guide		
23	Sear Release Plate Spring	46	Bolt Catch Plunger		

Senator SOUF41, SOUF20 and SOUF12 Over/Under Shotgun



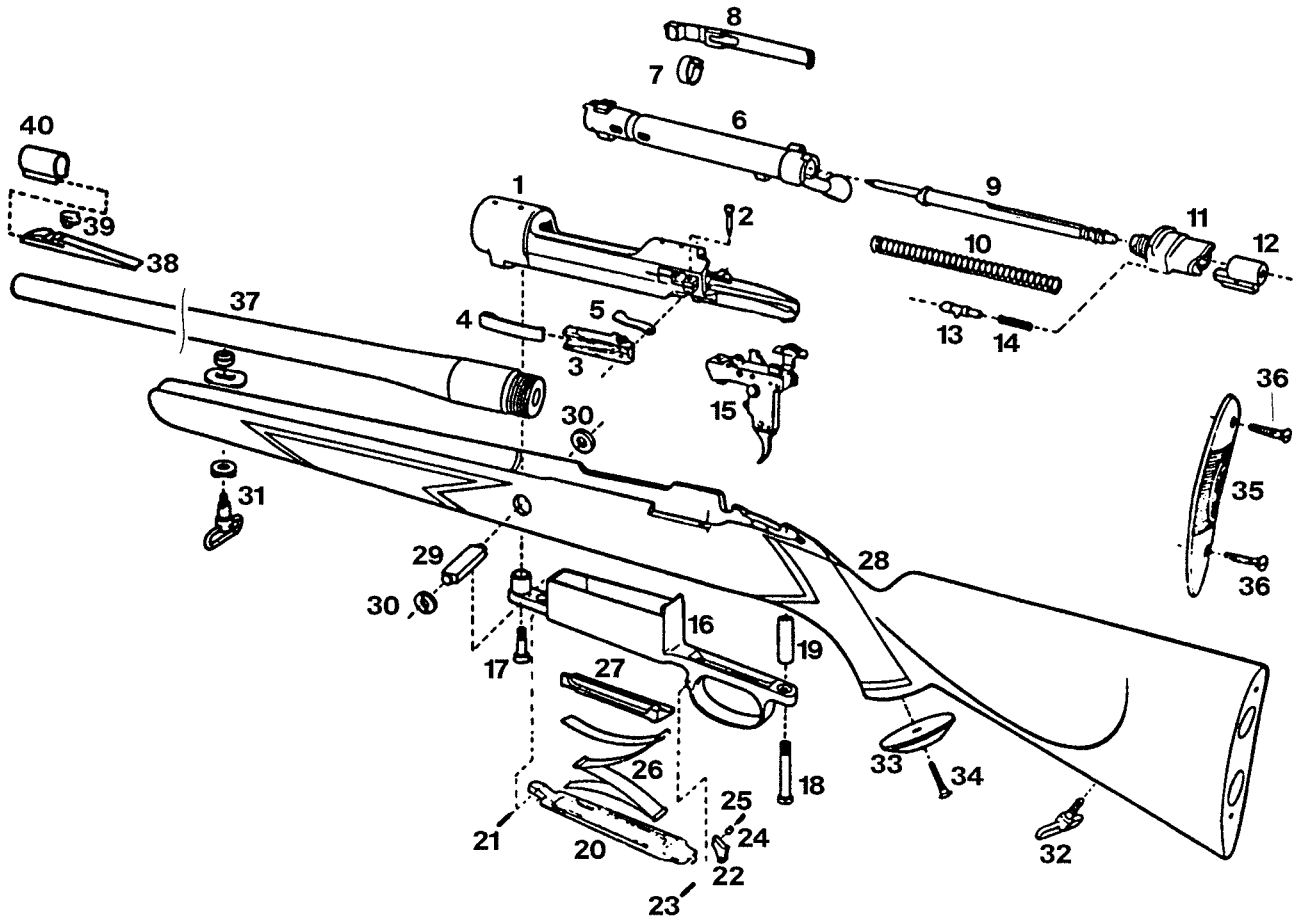
1	Buttstock	22	Safety Actuating Rod
2	Buttplate	23	Sear Lever, Upper
3	Buttplate Screws	24	Sear Lever, Lower
4	Stock Bolt Washer	25	Sear Lever Springs
5	Stock Bolt	26	Sear Lever Pins
6	Receiver	27	Floorplate
7	Barrel Hinge Screw	28	Floorplate Tang Pin
8	Firing Pin Housing, Lower	29	Floorplate Receiver Pin
9	Firing Pin Housing, Upper	30	Rear Trigger, Upper
10	Firing Pin Springs	31	Front Trigger, Lower
11	Firing Pins	32	Trigger Retaining Pin
12	Firing Pin Retaining Pins	33	Cocking Lever
13	Firing Pin Collars	34	Cocking Lever Pin
14	Firing Pin Collar Retaining Pins	35	Cocking Lever Plunger
15	Locking Block	36	Cocking Lever Plunger Spring
16	Locking Block Spring Guide	37	Barrel Assembly
17	Locking Block Spring	38	Extractors
18	Safety-Lever	39	Sight Bead
19	Safety-Lever Pin	40	Forend
20	Safety Detent	41	Forend Screw
21	Safety Detent Spring	42	Forend Screw Lug

1949 Autoloading Rifle



1	Receiver Cover Assembly	23	Barrel	45	Bolt Stop Retainer Plunger
2	Bolt Carrier Catch Stop	24	Gas Cylinder	46	Ejector
3	Bolt Carrier Catch Spring	25	Front Handguard	47	Inner Hammer Spring
4	Rear Sight	26	Gas Adjusting Sleeve	48	Hammer and Hammer Spring Guide
5	Rear Sight Spring	27	Gas Cylinder Plug	49	Lower Band Swivel
6	Bolt Carrier Catch	28	Front Sight	50	Lower Band
7	Inner Recoil Spring Guide	29	Muzzle Cap	51	Stock
8	Outer Recoil Spring	30	Buttplate Screws	52	Stock End Cap Screw
9	Inner Recoil Springs	31	Buttplate	53	Magazine Follower
10	Firing Pin Extension	32	Butt Swivel Screws	54	Stock End Cap
11	Sliding Dust Cover	33	Butt Swivel	55	Rear Guard Screw
12	Firing Pin	34	Trigger Guard	56	Safety
13	Firing Pin Spring	35	Auxiliary Sear Spring	57	Center Guard Screw
14	Firing Pin Safety Stop	36	Auxiliary Sear Spring Plunger	58	Magazine Catch Spring
15	Receiver	37	Auxiliary Sear	59	Magazine Catch
16	Bolt	38	Trigger	60	Trigger Pin
17	Extractor	39	Bolt Stop Retainer	61	Hammer Pin
18	Extractor Spring	40	Bolt Stop Retainer Plunger Spring	62	Guard Screw Stop Screws
19	Bolt Carrier	41	Trigger Spring Plunger	63	Front Guard Screw
20	Piston Spring	42	Trigger Spring	64	Magazine Catch Pin
21	Piston	43	Bolt Stop Assembly	65	Magazine Box
22	Rear Handguard	44	Outer Hammer Spring	66	Magazine Follower Spring

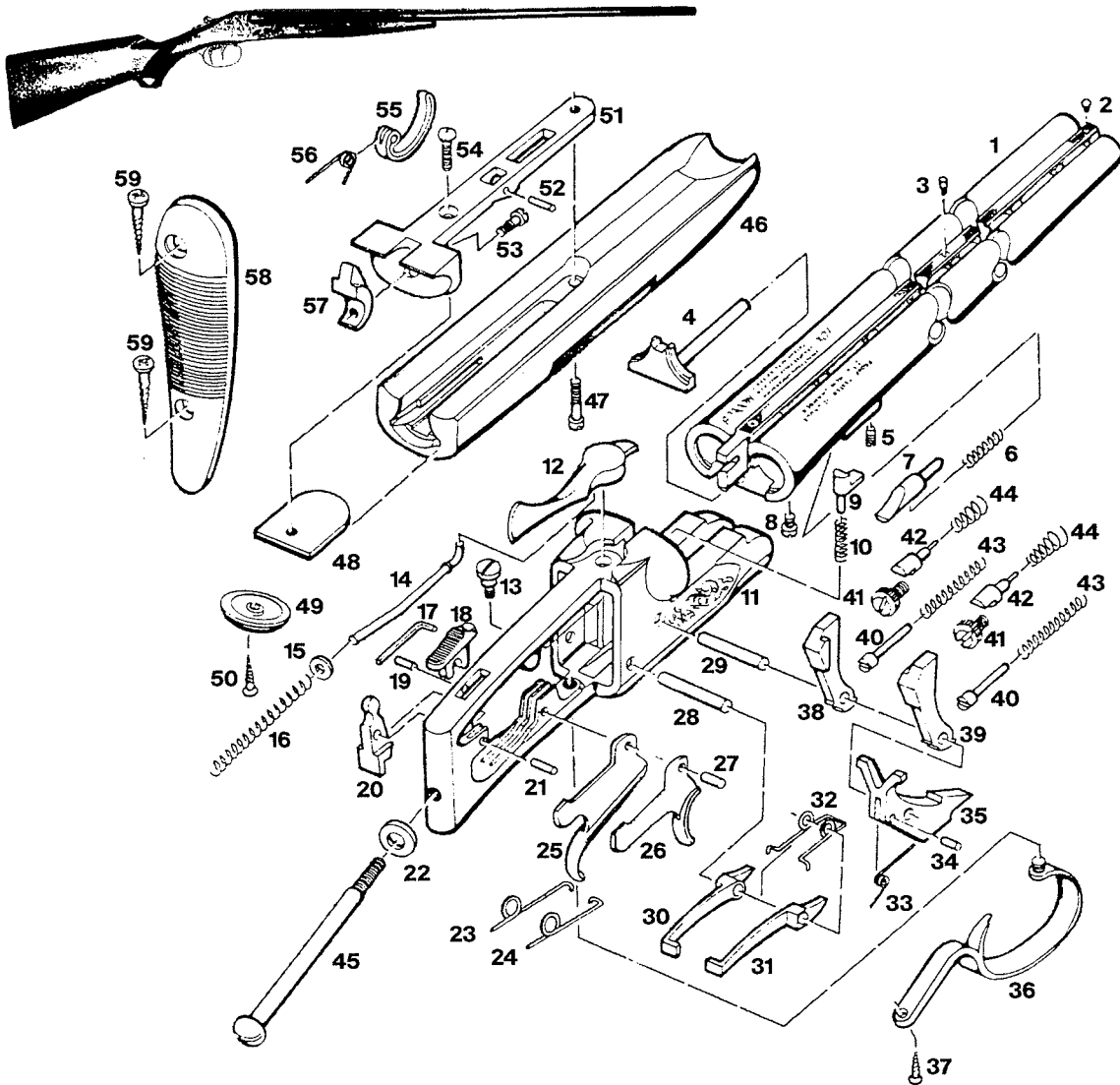
Supreme Bolt-Action Rifle



1	Receiver	21	Floorplate Pivot Pin
2	Bolt Stop Screw	22	Floorplate Catch
3	Bolt Stop	23	Floorplate Catch Pin
4	Bolt Stop Spring	24	Floorplate Catch Plunger
5	Ejector	25	Floorplate Catch Plunger Spring
6	Bolt Body	26	Follower Spring
7	Extractor Collar	27	Follower
8	Extractor	28	Stock
9	Firing Pin	29	Stock Crossbolt
10	Firing Pin Spring	30	Stock Crossbolt Nuts
11	Bolt Sleeve	31	Front Sling Swivel
12	Cocking Piece	32	Rear Sling Swivel
13	Bolt Sleeve Lock Plunger	33	Grip Cap
14	Bolt Sleeve Lock Spring	34	Grip Cap Screw
15	Trigger Assembly	35	Buttplate
16	Trigger Guard	36	Buttplate Screws
17	Front Guard Screw	37	Barrel
18	Rear Guard Screw	38	Front Sight Ramp
19	Rear Guard Screw Bushing	39	Front Sight
20	Floorplate	40	Front Sight Cover

Model B Side-by-Side Shotgun

Courtesy of Thomas E. Wessel

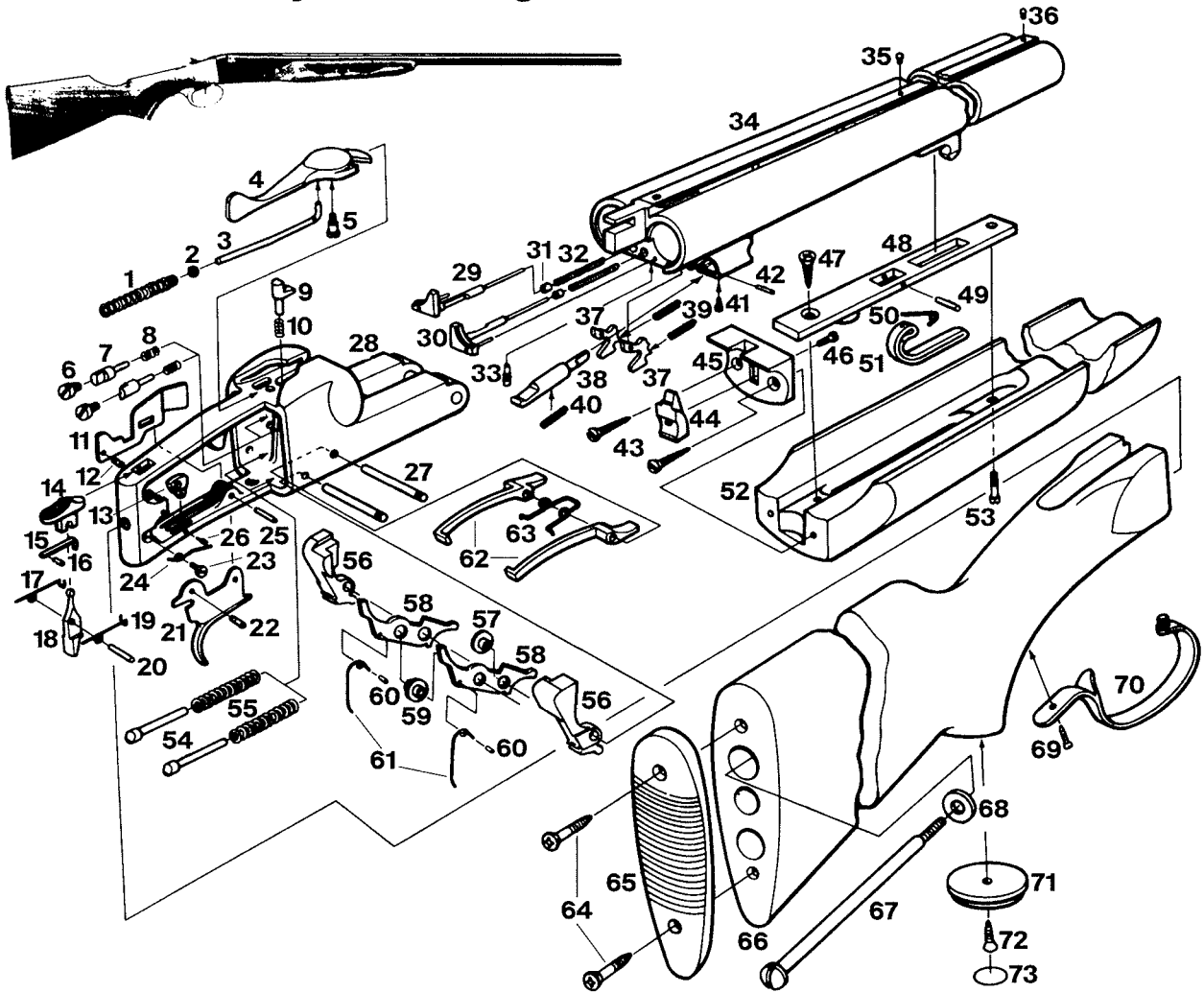


1	Barrel Assembly	22	Stock Bolt Washer	43	Mainsprings
2	Front Sight	23	Trigger Spring, Left	44	Firing Pin Springs
3	Rear Sight	24	Trigger Spring, Right	45	Stock Bolt
4	Extractor	25	Trigger, Left	46	Forend
5	Cocking Plunger Retaining Screw	26	Trigger, Right	47	Forend Screw, Front
6	Cocking Plunger Spring	27	Trigger Pin	48	Forend Insert
7	Cocking Plunger	28	Sear Pin	49	Pistol Grip Cap
8	Extractor Screw	29	Cocking Lever and Hammer Pin	50	Pistol Grip Cap Screw
9	Top Snap Trip	30	Sear, Left	51	Forend Iron
10	Top Snap Trip Spring	31	Sear, Right	52	Forend Spring Pin
11	Frame	32	Sear Spring	53	Ejector Screw
12	Top Snap	33	Cocking Lever Spring	54	Forend Screw, Rear
13	Top Snap Screw	34	Cocking Lever Spring Pin	55	Forend Spring
14	Top Snap Plunger	35	Cocking Lever	56	Forend Spring Spring
15	Top Snap Plunger Collar	36	Trigger Guard	57	Ejector
16	Top Snap Plunger Spring	37	Trigger Guard Screw	58	Buttplate
17	Safety Spring	38	Hammer, Left	59	Buttplate Screws
18	Safety Button	39	Hammer, Right		
19	Safety Plunger	40	Mainspring Plungers		
20	Safety-Lever	41	Firing Pin Retaining Screws		
21	Safety-Lever Pin	42	Firing Pins		

Parts Not Shown

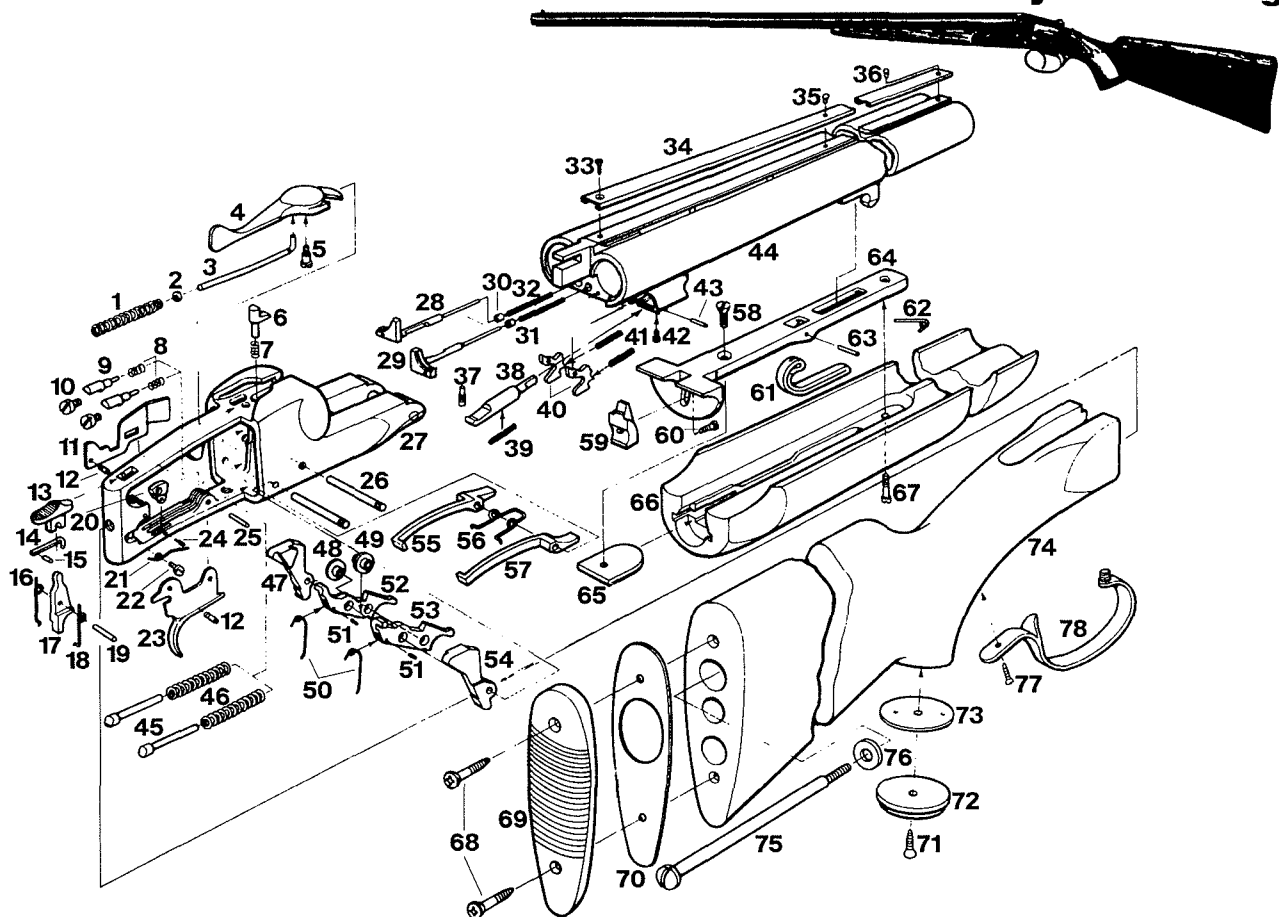
Stock

Model B-SE Side-by-Side Shotgun



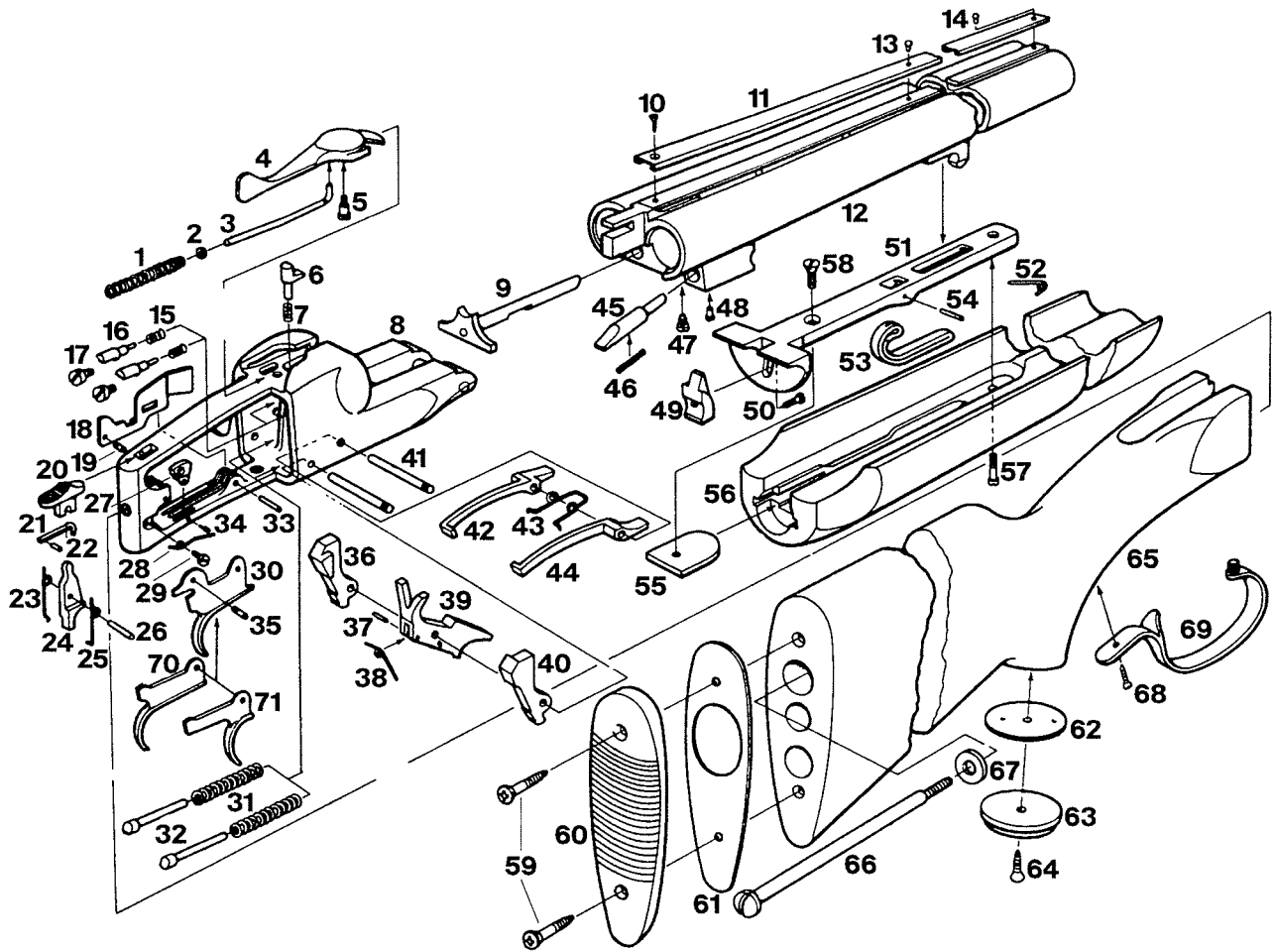
1	Top Snap Plunger Spring	26	Inertia Block Pin	49	Forend Spring Pin
2	Mainspring Retaining Collar	27	Sear Pin and Cocking Lever/ Hammer Pin	50	Forend Spring Spring
3	Top Snap Plunger	28	Frame	51	Forend Spring
4	Top Snap	29	Extractor, Left	52	Forend Wood
5	Top Snap Screw	30	Extractor, Right	53	Forend Screw, Front
6	Firing Pin Retaining Screws	31	Ejector Collars	54	Mainspring Plungers
7	Firing Pins	32	Ejector Springs	55	Mainsprings
8	Firing Pin Springs	33	Extractor Screw	56	Hammers
9	Top Snap Trip	34	Barrels	57	Cocking Lever Spacer
10	Top Snap Trip Spring	35	Rear Sight	58	Cocking Levers
11	Slide	36	Front Sight	59	Cocking Lever Bushing
12	Trigger Stud	37	Ejector Sear	60	Cocking Lever Spring Pins
13	Inertia Block	38	Cocking Plunger	61	Cocking Lever Springs
14	Safety Button	39	Ejector Sear Spring	62	Sears
15	Safety Spring	40	Cocking Plunger Spring	63	Sear Spring
16	Safety Plunger	41	Cocking Plunger Retaining Screw	64	Buttplate Screws
17	Slide Spring	42	Ejector Sear Pin	65	Buttplate
18	Safety-Lever	43	Forend Iron Head Screws	66	Stock
19	Trigger Spring	44	Ejector	67	Stock Bolt
20	Safety-Lever Pin	45	Forend Iron Head	68	Stock Bolt Washer
21	Trigger	46	Ejector Screw	69	Trigger Guard Screw
22	Trigger Stud	47	Forend Screw, Rear	70	Trigger Guard
23	Inertia Block Spring Screw	48	Forend Spring Housing	71	Pistol Grip Cap
24	Inertia Block Spring			72	Pistol Grip Cap Screw
25	Trigger Pin			73	Medallion

Model BDE, BSE-C, BSE-D, BSE-E and BSE Series F and H Side-by-Side Shotgun



1	Top Snap Plunger Spring	27	Frame	54	Hammer, Right
2	Top Snap Plunger Collar	28	Extractor, Left	55	Sear, Left
3	Top Snap Plunger	29	Extractor, Right	56	Sear Spring
4	Top Snap	30	Ejector Collar, Left	57	Sear, Right
5	Top Snap Screw	31	Ejector Collar, Right	58	Forend Screw, Rear
6	Top Snap Trip	32	Ejector Springs	59	Ejector
7	Top Snap Trip Spring	33	Top Rib Lock Screw	60	Ejector Screw
8	Firing Pin Springs	34	Top Rib	61	Forend Spring
9	Firing Pins	35	Rear Sight	62	Forend Spring Spring
10	Firing Pin Retaining Screws	36	Front Sight	63	Forend Spring Pin
11	Slide	37	Extractor Screw	64	Forend Iron
12	Trigger Studs	38	Cocking Plunger	65	Forend Insert
13	Safety Button	39	Cocking Plunger Spring	66	Forend Wood
14	Safety Spring	40	Ejector Sear	67	Forend Screw, Front
15	Safety Plunger	41	Ejector Sear Springs	68	Buttplate Screws
16	Slide Spring	42	Cocking Plunger Retaining Screw	69	Buttplate
17	Safety-Lever	43	Ejector Sear Pin	70	Buttplate Liner
18	Trigger Spring	44	Barrel	71	Pistol Grip Cap Screw
19	Safety-Lever Pin	45	Mainspring Plungers	72	Pistol Grip Cap
20	Inertia Block	46	Mainsprings	73	Pistol Grip Cap Liner
21	Inertia Block Spring	47	Hammer, Left	74	Stock
22	Inertia Block Spring Screw	48	Cocking Lever Spacer	75	Stock Bolt
23	Trigger	49	Cocking Lever Bushing	76	Stock Bolt Washer
24	Inertia Block Pin	50	Cocking Lever Springs	77	Trigger Guard Screw
25	Trigger Pin	51	Cocking Lever Spring Pin	78	Trigger Guard
26	Sear Pin and Cocking Lever/ Hammer Pin	52	Cocking Lever, Left		
		53	Cocking Lever, Right		

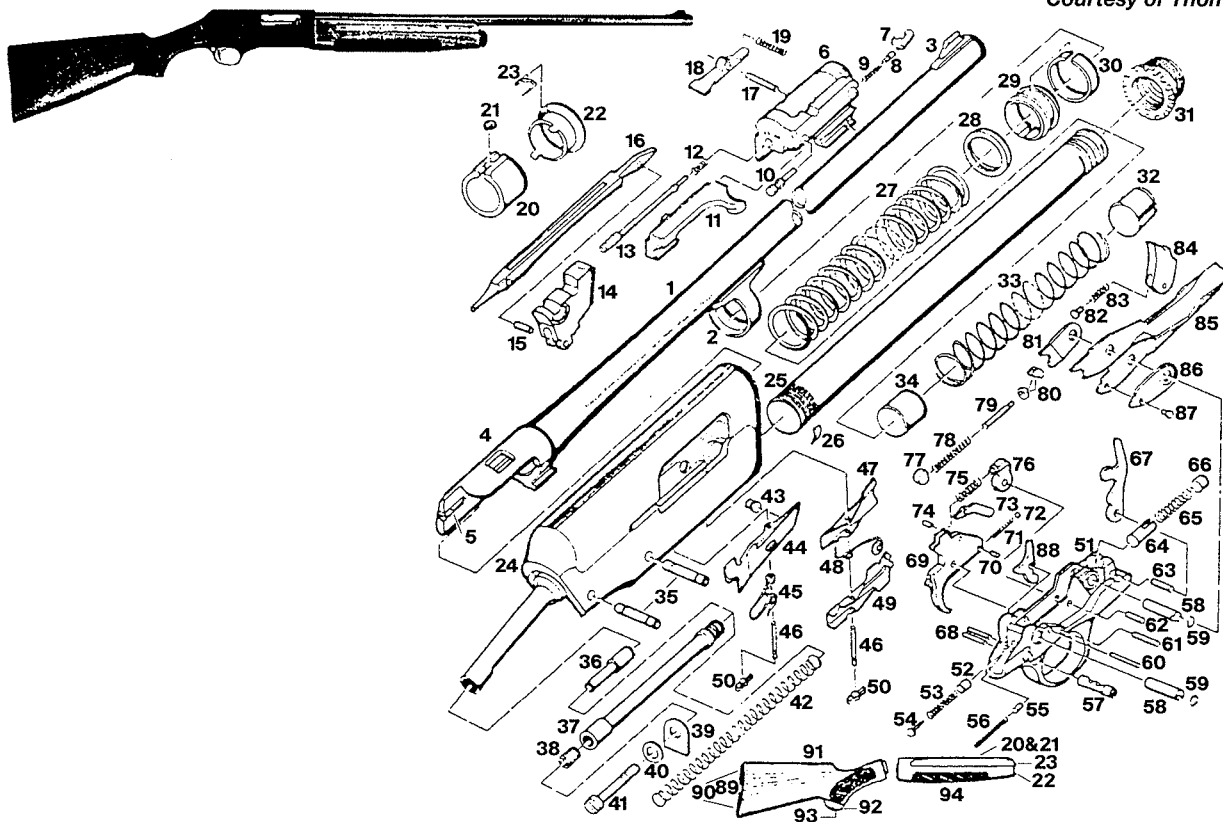
Model BST, B-C, B-D, B-E and B Series F Side-by-Side Shotgun



1	Top Snap Plunger Spring	25	Trigger Spring (BST)	48	Cocking Plunger Retaining Screw
2	Top Snap Plunger Collar	26	Safety-Lever Pin	49	Ejector
3	Top Snap Plunger	27	Inertia Block (BST)	50	Ejector Screw
4	Top Snap	28	Inertia Block Spring (BST)	51	Forend Iron
5	Top Snap Screw	29	Inertia Block Spring Screw (BST)	52	Forend Spring Spring
6	Top Snap Trip	30	Trigger (BST)	53	Forend Spring
7	Top Snap Trip Spring	31	Mainsprings	54	Forend Spring Pin
8	Frame	32	Mainspring Plungers	55	Forend Insert
9	Extractor	33	Trigger Pin	56	Forend Wood
10	Top Rib Lock Screw	34	Inertia Block Screw (BST)	57	Forend Screw, Front
11	Top Rib	35	Trigger Stud (BST)	58	Forend Screw, Rear
12	Barrel	36	Hammer, Left	59	Buttplate Screws
13	Rear Sight	37	Cocking Lever Spring Pin	60	Buttplate
14	Front Sight	38	Cocking Lever Spring	61	Buttplate Liner
15	Firing Pin Springs	39	Cocking Lever	62	Pistol Grip Cap Liner
16	Firing Pins	40	Hammer, Right	63	Pistol Grip Cap
17	Firing Pin Retaining Screws	41	Sear Pin and Cocking Lever/ Hammer Pin	64	Pistol Grip Cap Screw
18	Slide (BST)	42	Sear, Left	65	Stock
19	Stud (BST)	43	Sear Spring	66	Stock Bolt
20	Safety Button	44	Sear, Right	67	Stock Bolt Washer
21	Safety Spring	45	Cocking Plunger	68	Trigger Guard Screw
22	Safety Plunger	46	Cocking Plunger Spring	69	Trigger Guard
23	Slide Spring (BST)	47	Extractor Screw	70	Trigger, Right
24	Safety-Lever			71	Trigger, Left

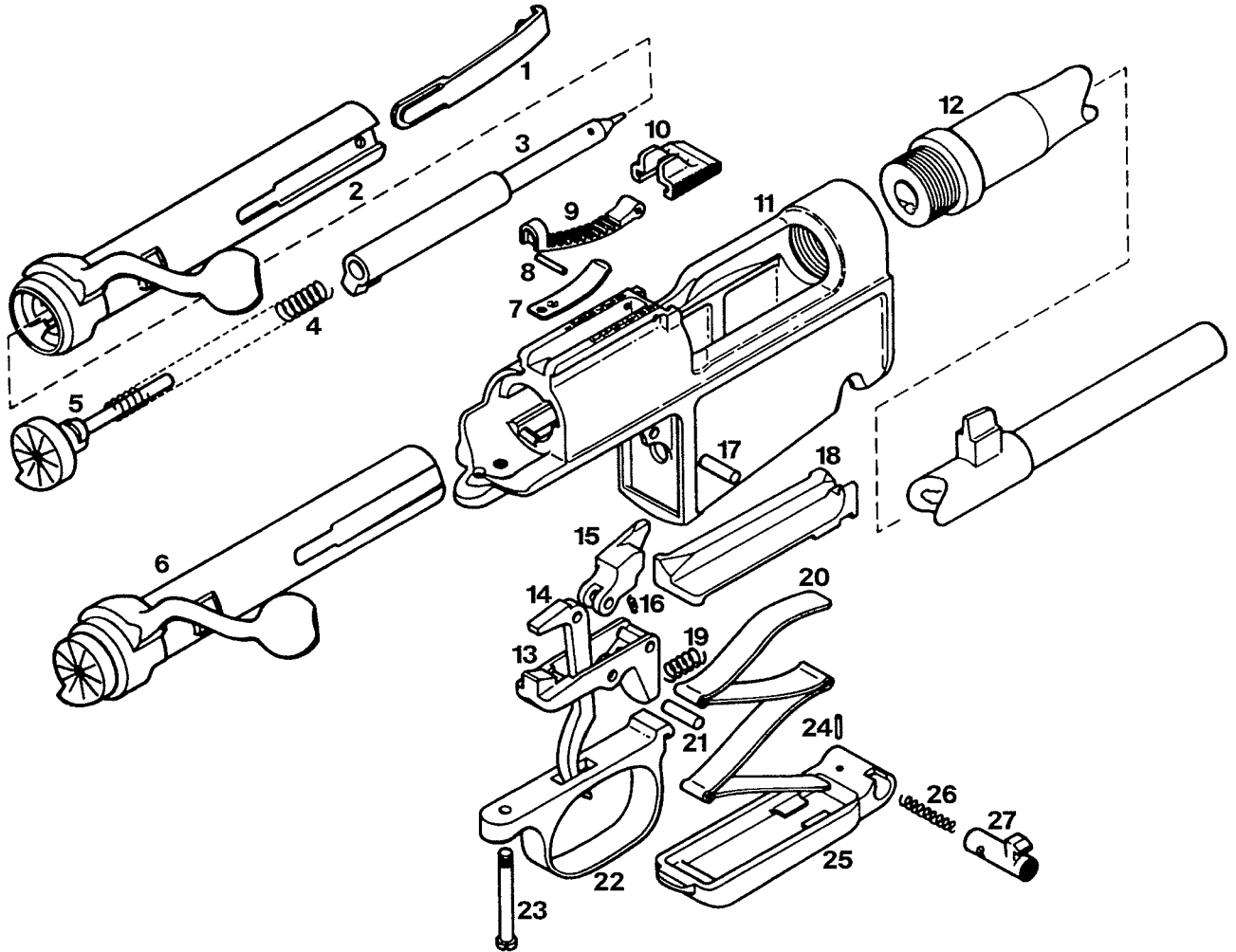
Autoloading Shotgun

Courtesy of Thomas E. Wessel



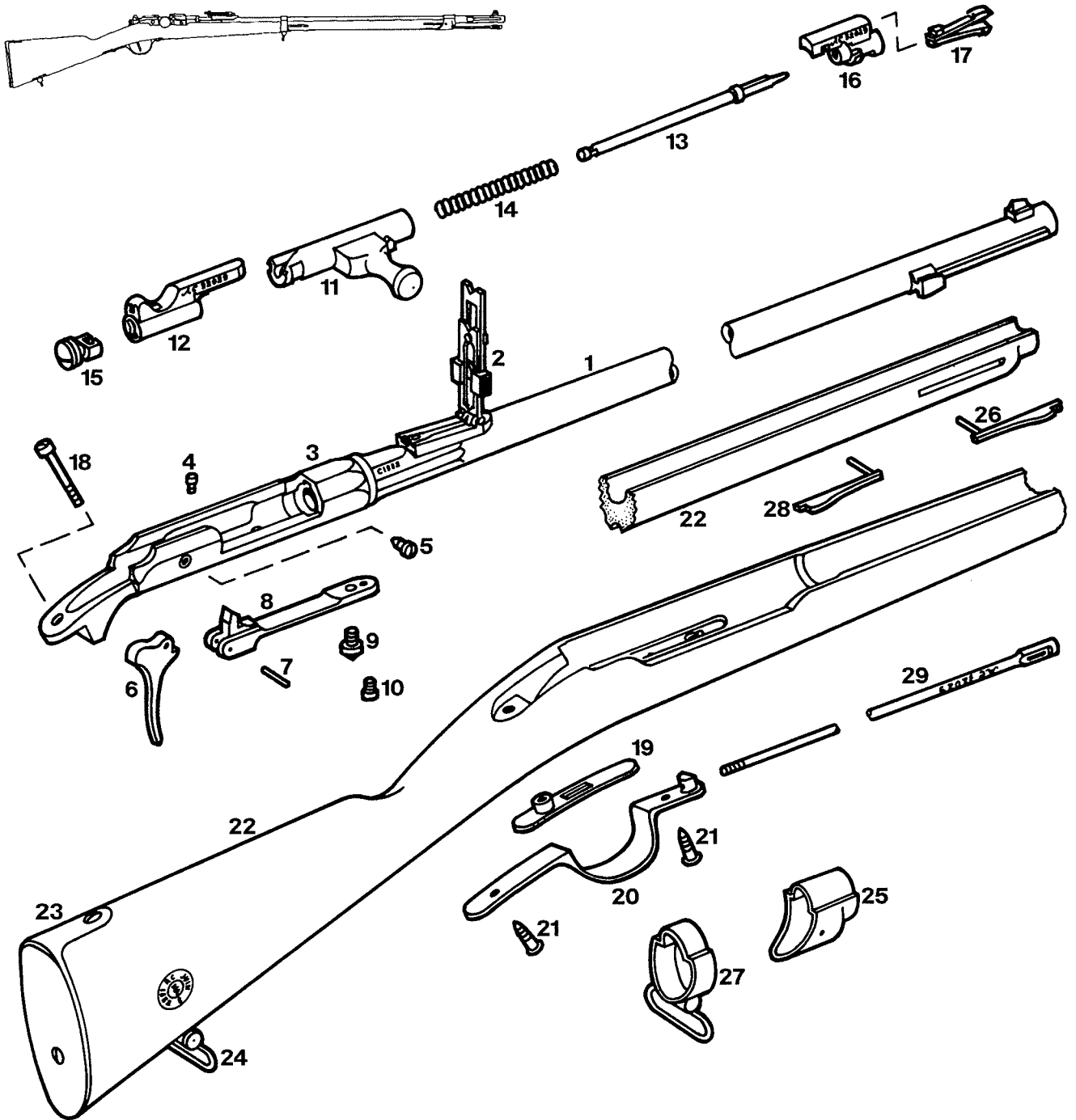
1	Barrel	33	Magazine Spring	64	Hammer Spring Tube
2	Barrel Ring	34	Magazine Follower	65	Hammer Spring
3	Front Sight and Base	35	Trigger Guard Pins	66	Hammer Spring Follower
4	Barrel Extension	36	Action Spring Follower	67	Hammer
5	Ejector	37	Action Spring Tube	68	Hand Safety Retaining Pins
6	Breechbolt	38	Action Spring Tube Fastener	69	Trigger
7	Extractor	39	Eccentric Washer	70	Trigger Lever Retaining Pin
8	Extractor Plunger	40	Elastic Washer	71	Trigger Lever Spring
9	Extractor Spring	41	Stock Retaining Screw	72	Trigger Lever Spring Ball
10	Firing Pin Limit Stop	42	Action Spring	73	Trigger Lever
11	Operating Handle	43	Carrier Latch Button	74	Trigger Lever Pin
12	Firing Pin Spring	44	Carrier Latch	75	Sear Spring
13	Firing Pin	45	Carrier Latch Spring	76	Sear
14	Locking Block	46	Pins	77	Carrier Spring Stem Pivot Point
15	Link Pin	47	Auxiliary Shell Latch	78	Carrier Spring
16	Link	48	Magazine Shell Latch and Auxiliary Shell Latch Spring	79	Carrier Spring Stem
17	Locking Block Lever Pin	49	Magazine Shell Latch	80	Carrier Spring Retaining Washer and Detent
18	Locking Block Lever	50	Detents	81	Left Carrier Plate
19	Locking Block Lever Spring	51	Trigger Guard	82	Carrier Dog Spring Follower
20	Rear Nylon Ring	52	Auto Safety Spring Plunger	83	Carrier Dog Spring
21	Rear Nylon Ring Spring	53	Auto Safety Spring	84	Carrier Dog
22	Front Nylon Ring	54	Auto Safety Spring Guide	85	Carrier
23	Forend Cap Retaining Spring	55	Hand Safety Spring Follower	86	Right Carrier Plate
24	Receiver	56	Hand Safety Spring	87	Carrier Dog Spring Guide Pin
25	Magazine Tube	57	Hand Safety	88	Auto Safety
26	Magazine Tube Blocking Spring	58	Trigger Guard Pins, Large	89	Buttplate
27	Recoil Spring	59	Trigger Guard Pin Detents	90	Buttplate Screws
28	Friction Ring	60	Trigger Pin	91	Pistol Grip Stock
29	Friction Piece	61	Auto Safety Pin	92	Pistol Grip Cap
30	Friction Spring	62	Sear Pin	93	Pistol Grip Cap Screw
31	Forend Cap	63	Hammer Pin	94	Forend

MAS 1936 Bolt-Action Rifle



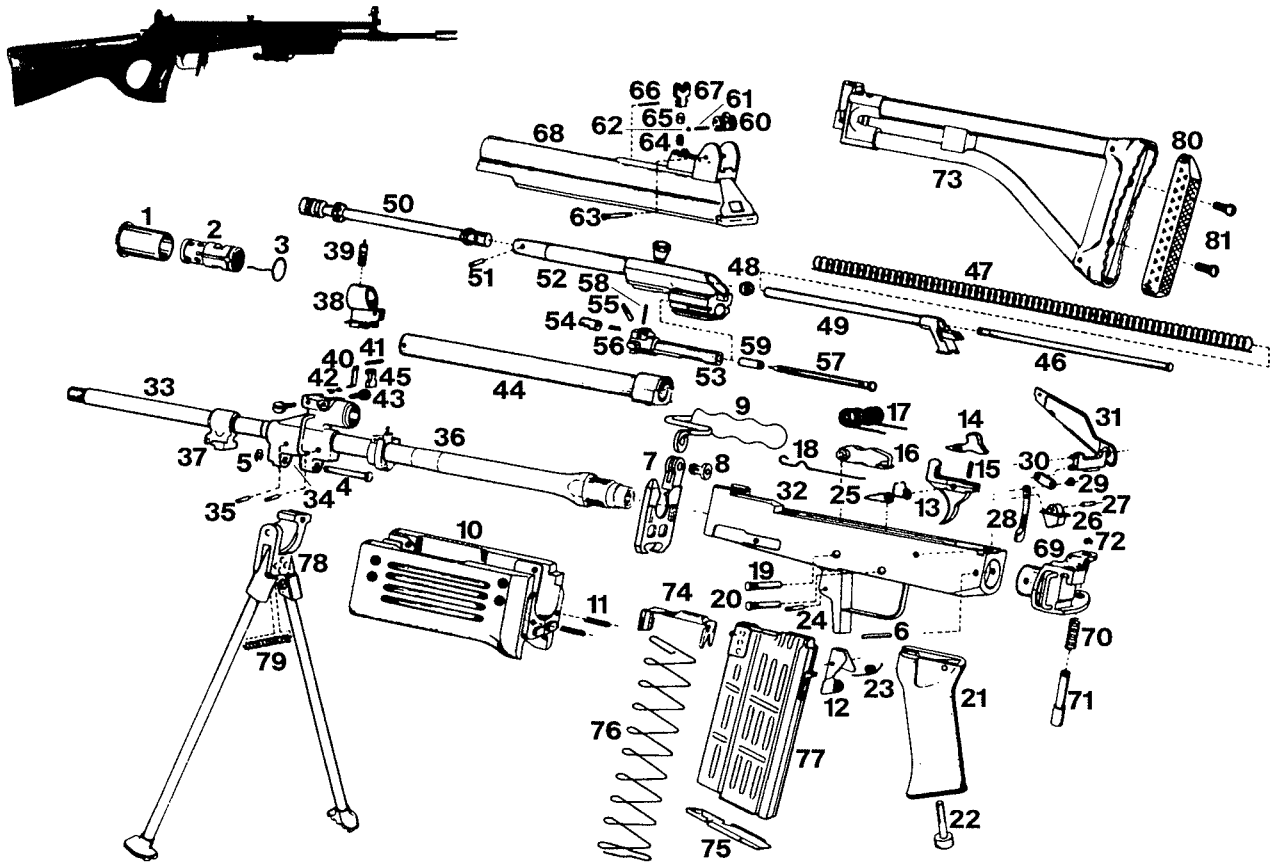
1	Extractor	15	Ejector and Bolt Stop
2	Bolt Body	16	Bolt Stop/Ejector Spring
3	Firing Pin	17	Sear Pin
4	Firing Pin Spring	18	Magazine Follower
5	Cocking Piece	19	Sear Spring
6	Bolt Assembly	20	Magazine Spring
7	Rear Sight Tension Spring	21	Trigger Pin
8	Rear Sight Pin	22	Trigger Guard
9	Rear Sight	23	Trigger Guard Screw
10	Rear Sight Slide	24	Floorplate Catch Pin
11	Receiver	25	Floorplate
12	Barrel	26	Floorplate Catch Spring
13	Sear	27	Floorplate Catch
14	Trigger		

Model 1874 Gras Bolt-Action Rifle



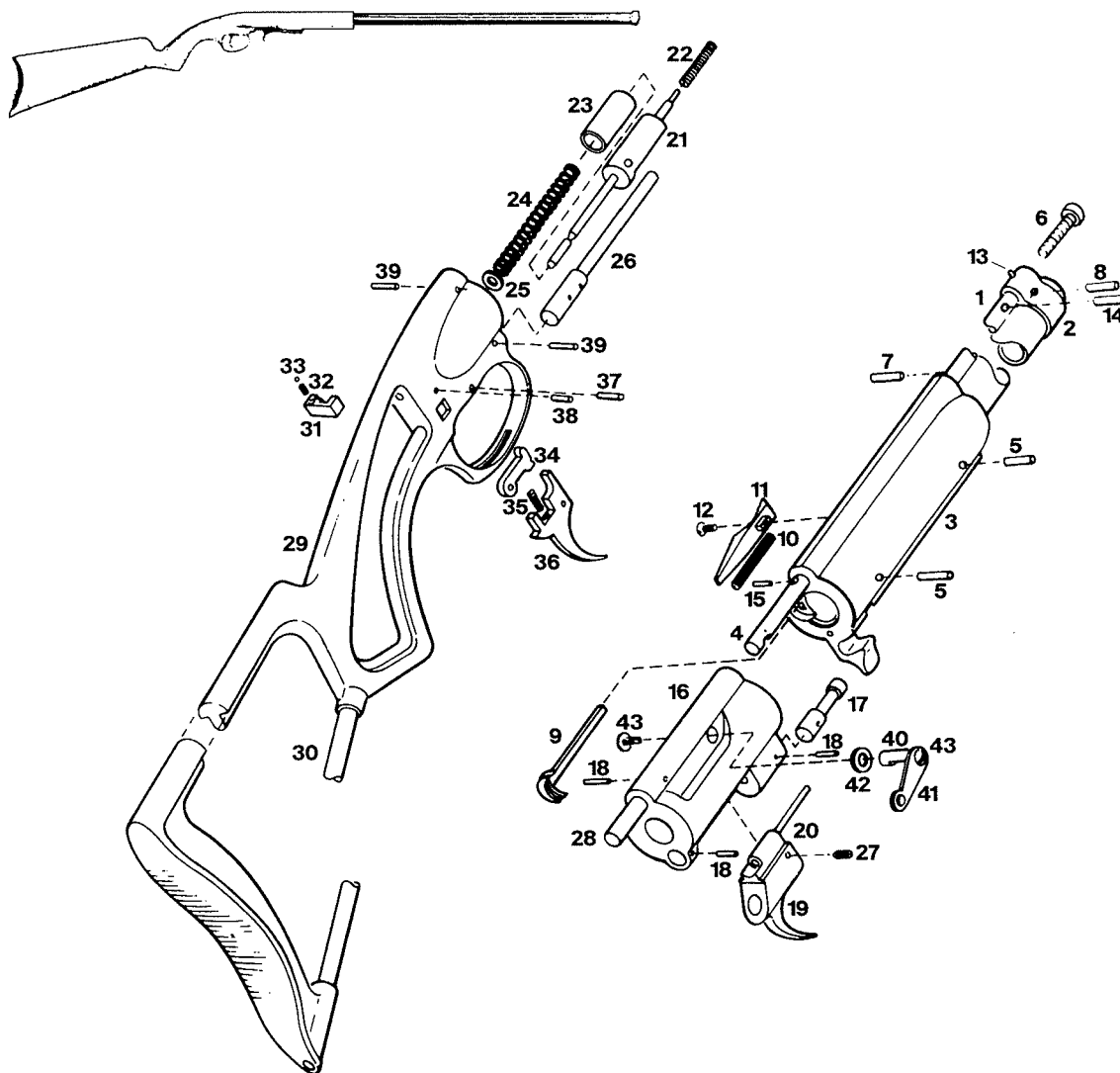
1	Barrel	11	Bolt	21	Trigger Guard Screws
2	Rear Sight	12	Cocking Piece	22	Stock
3	Receiver	13	Firing Pin	23	Buttplate
4	Ejector Screw	14	Firing Pin Spring	24	Rear Sling Swivel
5	Bolt Stop Screw	15	Firing Pin Nut	25	Front Barrel Band
6	Trigger	16	Bolt Head	26	Front Barrel Band Spring
7	Trigger Pin	17	Extractor	27	Rear Barrel Band
8	Trigger Spring and Sear	18	Tang Screw	28	Rear Barrel Band Spring
9	Trigger Spring Screw	19	Tang Screw Plate	29	Cleaning Rod
10	Trigger Spring Set Screw	20	Trigger Guard		

308 AR Autoloading Rifle



1	Muzzle Cup	27	Pistol Grip Base Pin	55	Extractor Pin
2	Flash Suppressor	28	Selector Lever, Left	56	Extractor Spring
3	Suppressor Retaining Ring	29	Selector Link Rivet, Left	57	Firing Pin
4	Bipod Suppressor Pivot Pin	30	Selector Lever Link	58	Bolt Pin
5	Bipod Connector Pin Retaining Ring	31	Selector Lever, Right	59	Firing Pin Buffer
6	Stock Spring Pin	32	Receiver	60	Rear Sight
7	Handguard Holder, Rear	33	Barrel	61	Rear Sight Spring
8	Carrying Handle Pin	34	Gas Block	62	Rear Sight Ball
9	Carrying Handle	35	Gas Block Pin	63	Rear Sight Pivot Screw
10	Handguard	36	Handguard Front Holder	64	Rear Night Sight Spring
11	Handguard Springs	37	Bayonet Catch	65	Rear Night Sight Plunger
12	Magazine Catch	38	Front Sight Base	66	Rear Night Sight Pin
13	Trigger	39	Front Sight Post	67	Rear Night Sight
14	Disconnecter	40	Front Night Sight Spring	68	Cover
15	Disconnecter Spring	41	Front Sight Pin	69	Stock Base
16	Hammer	42	Spring	70	Stock Spring
17	Hammer Spring	43	Front Sight Set Screw	71	Stock Pivot Pin
18	Sear Spring	44	Gas Cylinder	72	Stock Retaining Ring
19	Hammer Pivot Pin	45	Front Night Sight	73	Stock
20	Sear and Trigger Pivot Pin	46	Guide Rod	74	Follower
21	Pistol Grip	47	Return Spring	75	Magazine Bottom Plate
22	Pistol Grip Screw	48	Guide Rod Ring	76	Magazine Spring
23	Magazine Catch Spring	49	Buffer Retainer	77	Magazine, 25-Round
24	Magazine Catch Pivot Pin	50	Gas Piston	78	Bipod
25	Trigger Spring	51	Gas Piston Pin	79	Bipod Spring
26	Pistol Grip Base	52	Bolt Carrier	80	Recoil Pad
		53	Bolt	81	Recoil Pad Screws
		54	Extractor		

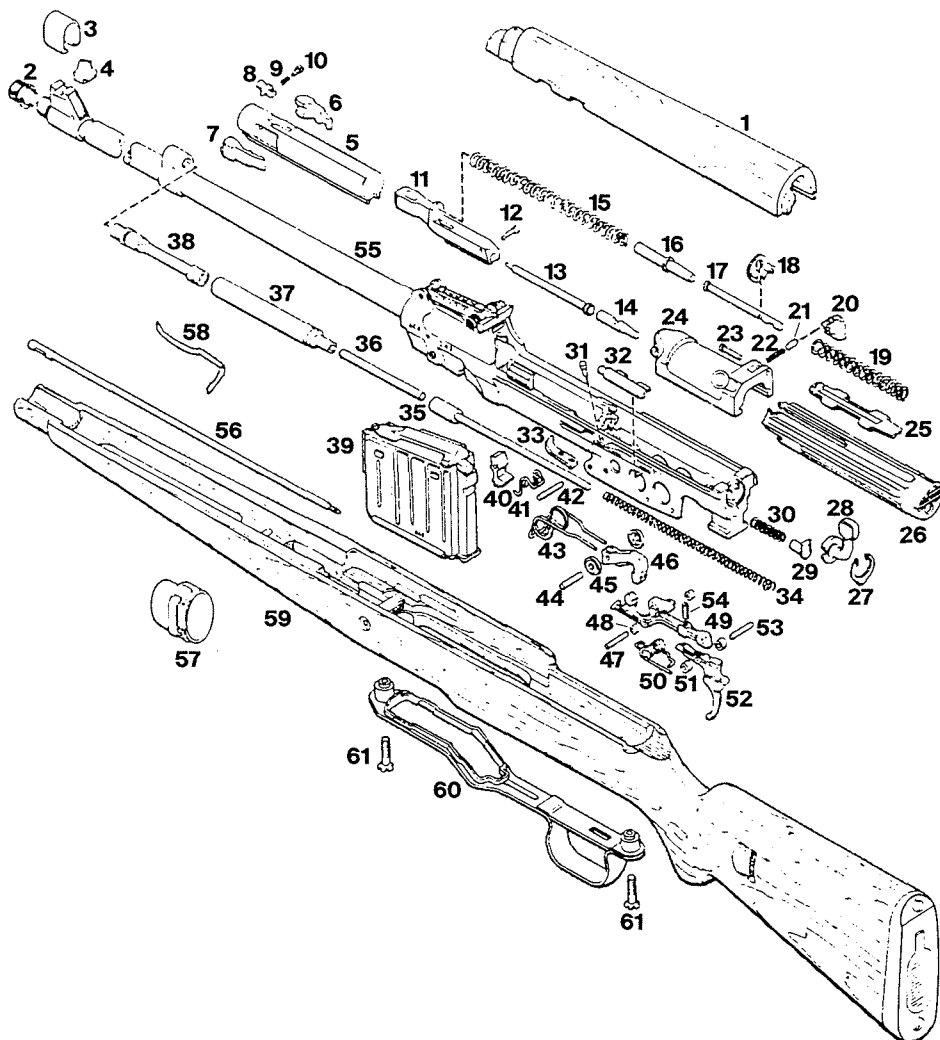
Bronco Single Shot Shotgun



1	Barrel	23	Firing Pin Spring Bushing
2	Front Link	24	Firing Pin Spring
3	Barrel Sleeve	25	Firing Pin Washer
4	Barrel Support Rod	26	Cocking Lever Guide Rod
5	Barrel Sleeve Pins	27	Cocking Lever Screw
6	Front Link Adjustment Screw	28	Breech Body Support Rod
7	Support Rod Pins	29	Stock/Receiver
8	Front Link Pin	30	Stock Rod
9	Extractor	31	Safety
10	Extractor Spring	32	Safety Spring
11	Extractor Slide	33	Safety Ball
12	Extractor Screw	34	Sear
13	Bead Sight	35	Trigger Spring
14	Barrel Stop Pin	36	Trigger
15	Support Rod Position Pin	37	Trigger Pin
16	Breech Body with Insert Bushing	38	Sear Pin
17	Lock Shaft	39	Stock Pins
18	Breech Body Pins	40	Support Rod Locking Bolt
19	Cocking Lever Assembly	41	Support Rod Locking Arm with Knob
20	Locking Pin	42	Locking Bolt Spring Washer
21	Firing Pin	43	Locking Bolt Screws
22	Cocking Lever Spring		

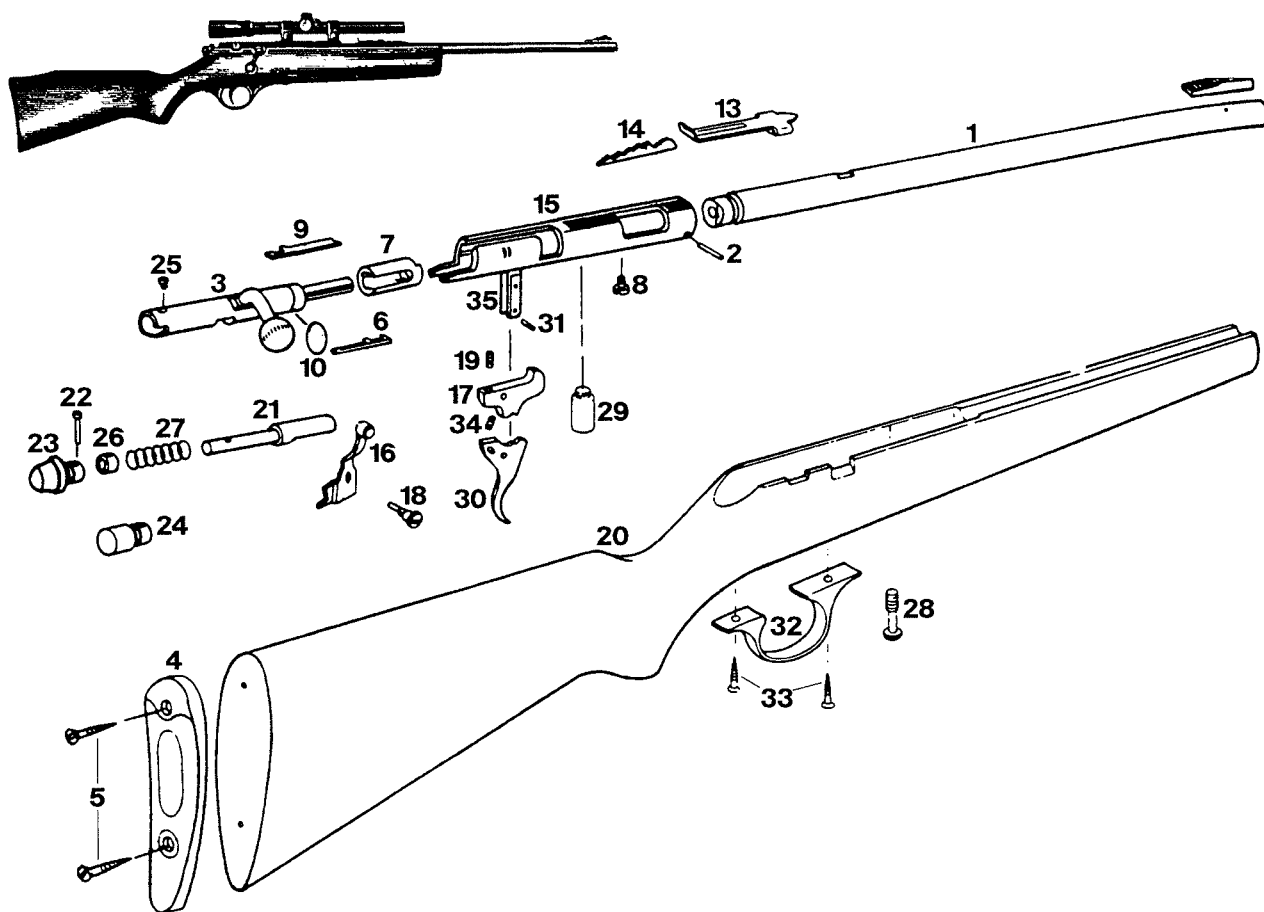
Model 43 Bolt-Action Rifle

Courtesy of Blacksmith Corporation



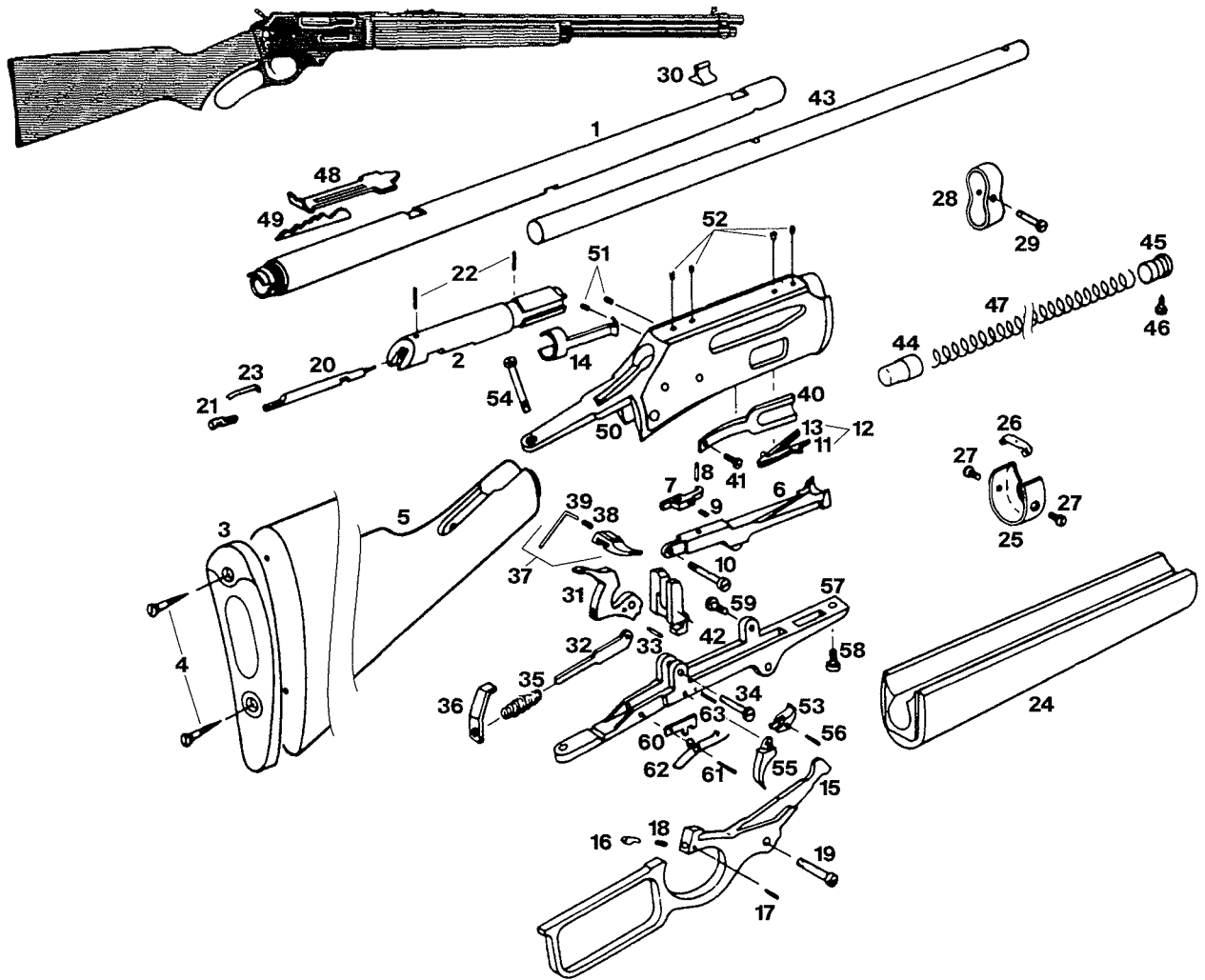
1	Handguard	22	Latch Spring	43	Hammer Spring
2	Thread Protector	23	Bolt Carrier Latch Pin	44	Hammer Pin
3	Sight Hood	24	Bolt Carrier	45	Hammer Washers
4	Front Sight	25	Sliding Dust Cover	46	Hammer
5	Bolt	26	Bolt Housing	47	Sear Pin
6	Locking Lug, Right	27	Safety Retainer	48	Sear Spacers
7	Locking Lug, Left	28	Safety	49	Sear
8	Extractor	29	Safety Plunger	50	Sear Spring
9	Extractor Spring	30	Safety Spring	51	Trigger Spacers
10	Extractor Retainer	31	Ejector Pin	52	Trigger
11	Firing Pin Housing	32	Ejector Spring Housing	53	Trigger Pin
12	Firing Pin Retainer	33	Ejector	54	Trigger Adjusting Screw
13	Firing Pin	34	Actuator Rod Spring	55	Barrel and Receiver
14	Firing Pin Extension	35	Actuator Rod	56	Cleaning Rod
15	Recoil Spring, Front	36	Connecting Rod	57	Barrel Band
16	Spring Guide, Front	37	Gas Cylinder	58	Band Retainer
17	Recoil Spring Guide, Rear	38	Gas Piston	59	Stock
18	Bolt Housing Retainer	39	Magazine	60	Trigger Guard
19	Recoil Spring, Rear	40	Magazine Catch	61	Trigger Guard Screws
20	Bolt Carrier Latch	41	Magazine Catch Spring		
21	Latch Plunger	42	Magazine Catch Pin		

Model 15 and 15 Youth Bolt-Action Rifle



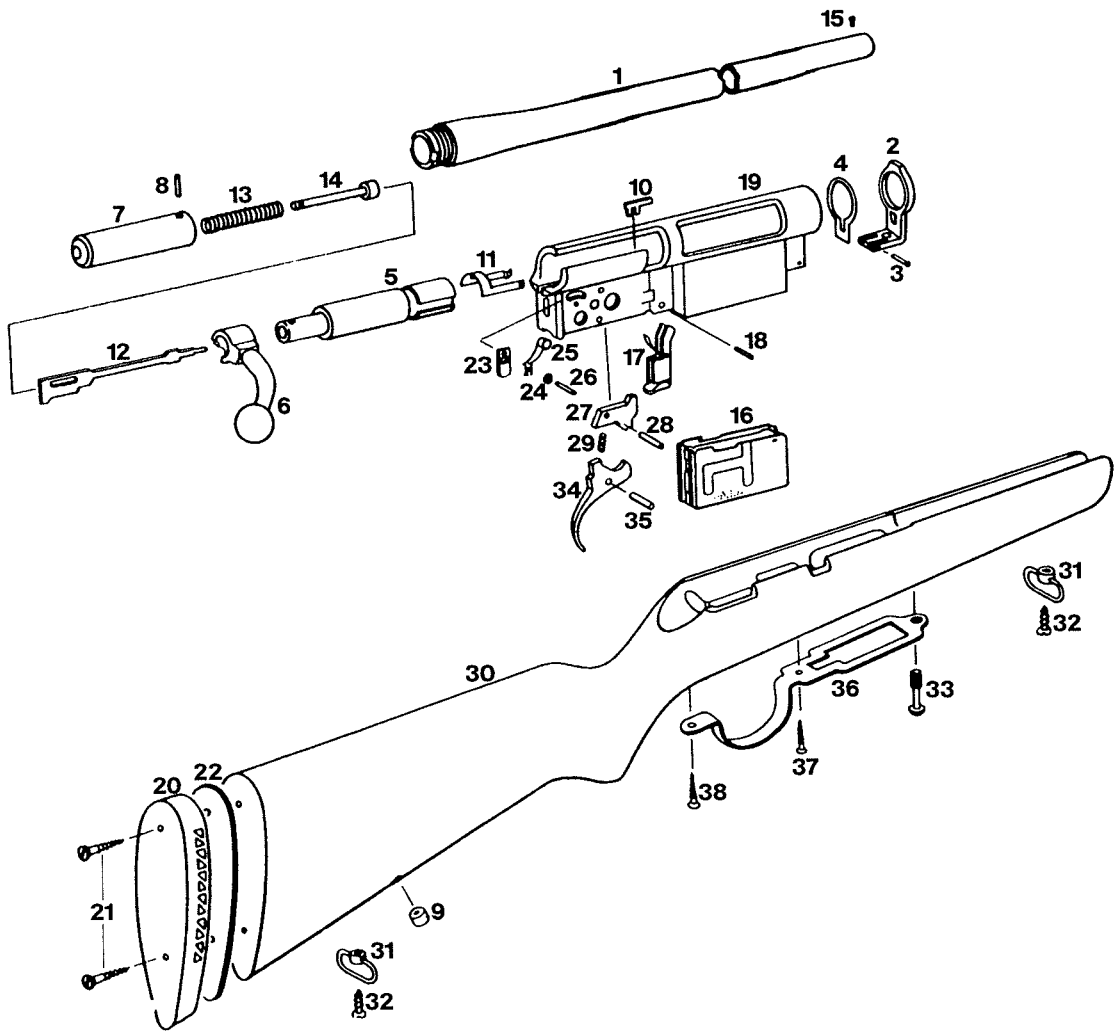
1	Barrel	19	Sear Spring
2	Barrel Retaining Pin	20	Stock with Buttplate
3	Breechbolt	21	Striker
4	Buttplate	22	Striker Cam Pin
5	Buttplate Screws	23	Striker Knob
6	Extractor	24	Striker Knob, Old Style
7	Feed Throat	25	Striker Retaining Screw
8	Feed Throat Screw	26	Striker Sleeve
9	Firing Pin	27	Striker Spring
10	Firing Pin Retaining Spring	28	Takedown Screw
11	Front Sight	29	Takedown Screw Stud
12	Front Sight Screw	30	Trigger Assembly
13	Rear Sight with Elevator	31	Trigger Pin
14	Rear Sight Elevator	32	Trigger Guard
15	Receiver	33	Trigger Guard Screws
16	Safety	34	Trigger Spring
17	Sear	35	Trigger Stud
18	Sear and Safety Pivot Screw		

Model 30A and 30AS Lever-Action Shotgun



1	Barrel	22	Firing Pin Retaining Pins	43	Magazine Tube
2	Breechbolt	23	Firing Pin Spring	44	Magazine Tube Follower
3	Buttplate	24	Forearm	45	Magazine Tube Plug
4	Buttplate Screws	25	Forearm Tip	46	Magazine Tube Plug Screw
5	Buttstock	26	Forearm Tip Tenon	47	Magazine Tube Spring
6	Carrier	27	Forearm Tip Tenon Screws	48	Rear Sight with Elevator
7	Carrier Rocker	28	Front Band	49	Rear Sight Elevator
8	Carrier Rocker Pin	29	Front Band Screw	50	Receiver
9	Carrier Rocker Spring	30	Front Sight with Brass Bead	51	Peep Sight Dummy Screws
10	Carrier Screw	31	Hammer	52	Scope Mount Dummy Screws
11	Ejector	32	Hammer Strut	53	Sear
12	Ejector with Spring	33	Hammer Strut Pin	54	Tang Screw
13	Ejector Spring	34	Hammer Screw	55	Trigger
14	Extractor	35	Hammer Spring	56	Trigger and Sear Pin
15	Finger Lever	36	Hammer Spring Adjusting Plate	57	Trigger Guard Plate
16	Finger Lever Plunger	37	Hammer Spur, Complete	58	Trigger Guard Plate Screw
17	Finger Lever Plunger Pin	38	Hammer Spur Screw	59	Trigger Guard Plate Support Screw
18	Finger Lever Plunger Spring	39	Hammer Spur Wrench	60	Trigger Safety Block
19	Finger Lever Screw	40	Loading Spring	61	Trigger Safety Block Pin
20	Firing Pin, Front	41	Loading Spring Screw	62	Trigger Safety Block Spring
21	Firing Pin, Rear	42	Locking Bolt	63	Trigger Guard Plate Latch Pin

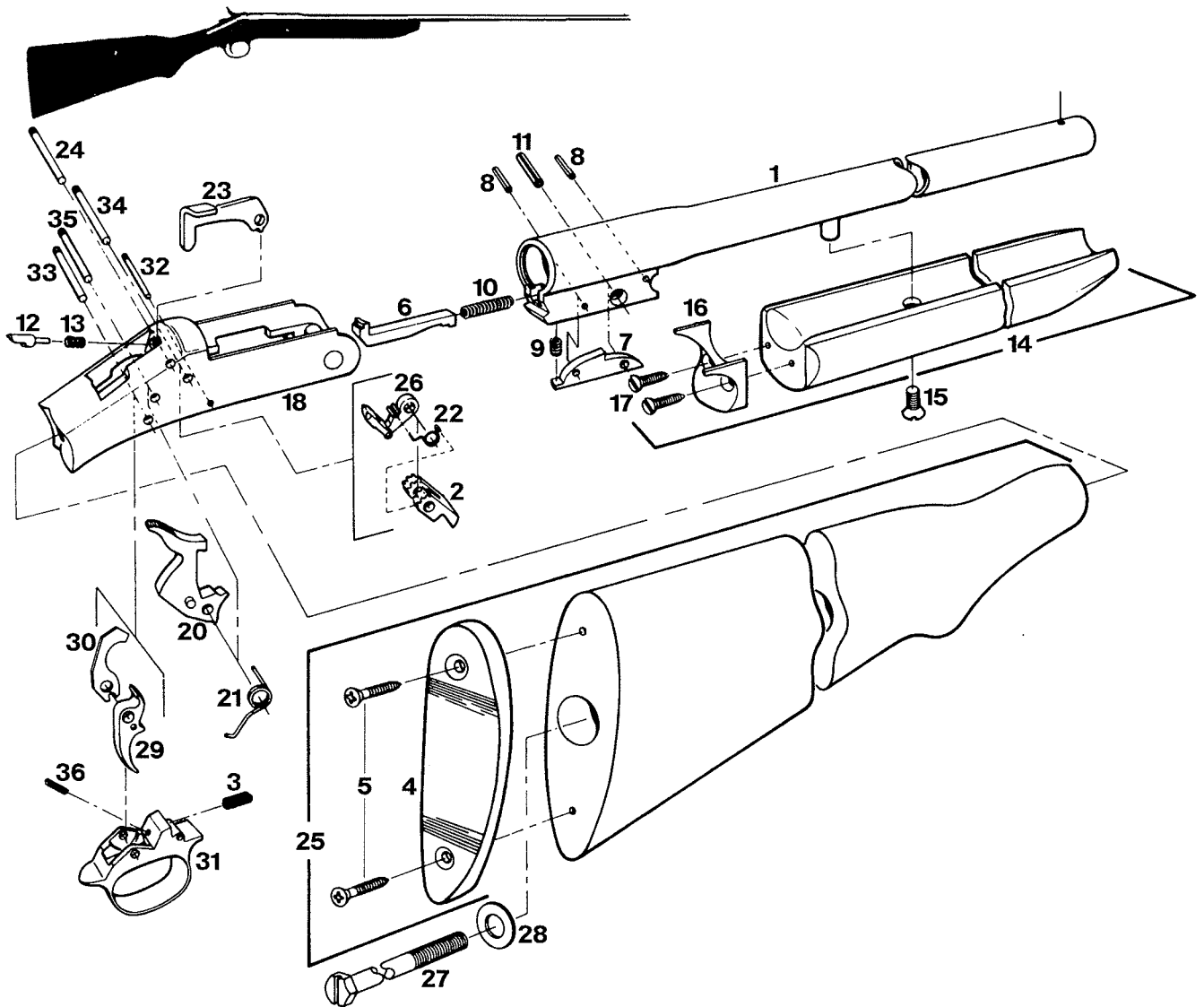
Model 50 Bolt-Action Shotgun



1	Barrel	20	Recoil Pad
2	Barrel Collar	21	Recoil Pad Screws
3	Barrel Collar Pin	22	Recoil Pad Spacer
4	Barrel Washer	23	Safety Blade
5	Breech Bolt, Front	24	Safety Blade Spacer
6	Breech Bolt Handle	25	Safety-Lever
7	Breech Bolt, Rear	26	Safety Pin
8	Breech Bolt Assembly Pin	27	Sear
9	Bullseye	28	Sear Pin
10	Ejector	29	Sear and Trigger Spring
11	Extractor	30	Stock
12	Firing Pin	31	Swivels
13	Firing Pin Spring	32	Swivel Screws
14	Firing Pin Spring Guide	33	Takedown Screw
15	Front Sight	34	Trigger
16	Magazine	35	Trigger Pin
17	Magazine Catch	36	Trigger Guard Plate
18	Magazine Catch Pin	37	Trigger Guard Plate Screw, Front
19	Receiver	38	Trigger Guard Plate Screw, Rear

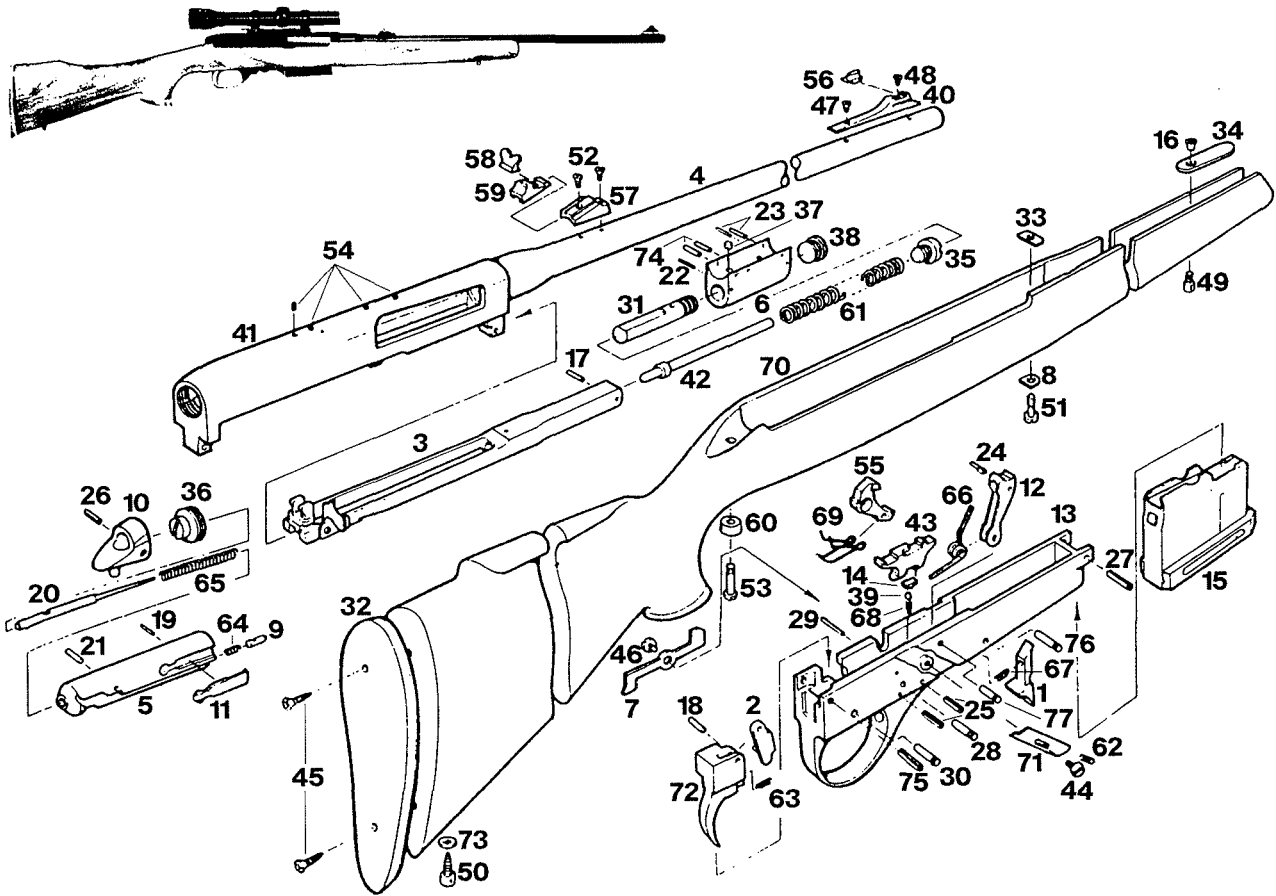
HARRINGTON & RICHARDSON

Model 088 and 099 Single Shot Shotgun



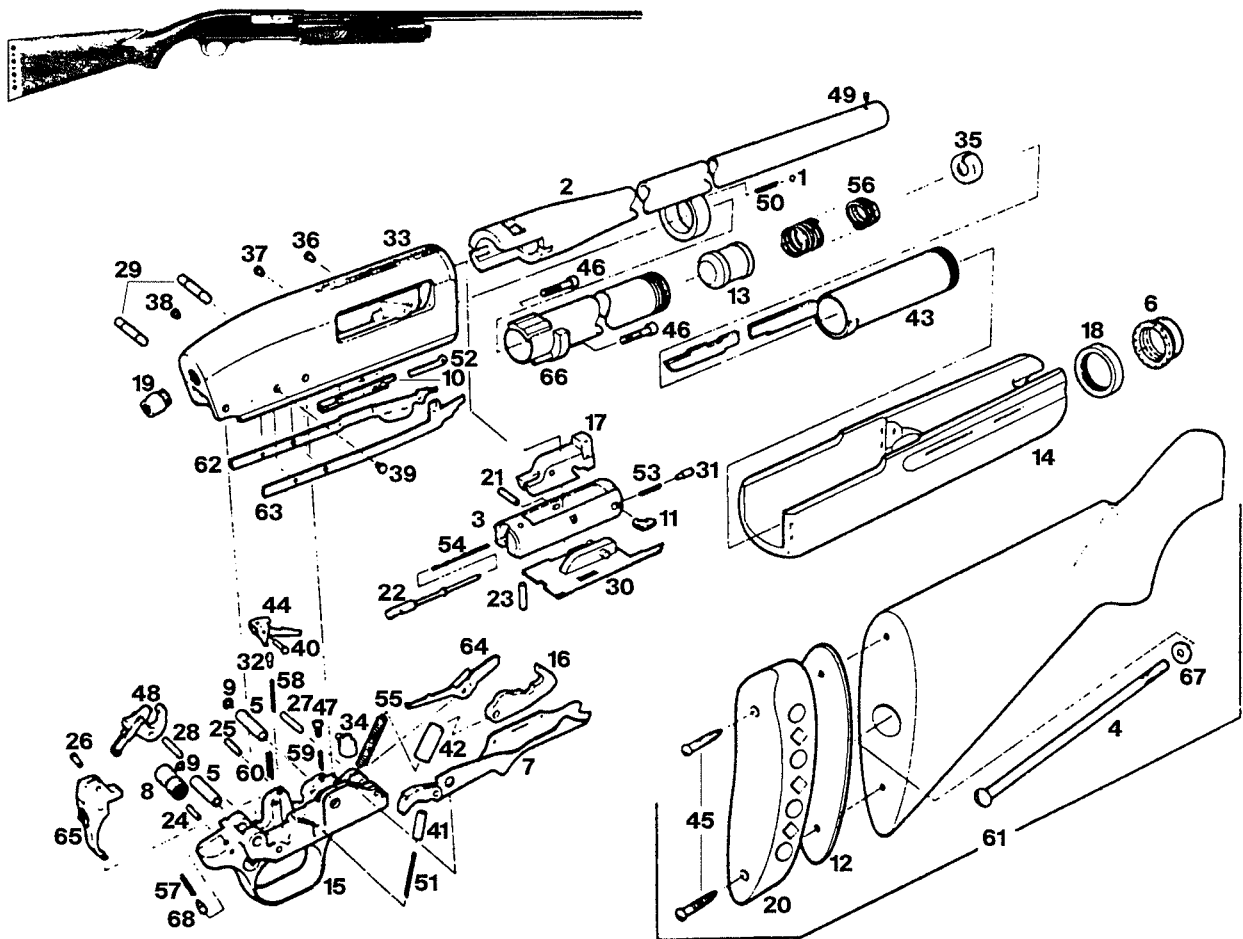
1	Barrel	19	Front Sight
2	Barrel Catch	20	Hammer
3	Barrel Catch Spring	21	Hammer Spring
4	Buttplate	22	Lifter Spring
5	Buttplate Screws	23	Release Lever
6	Ejector	24	Release Lever and Firing Pin Retaining Pin
7	Ejector Latch	25	Stock Assembly
8	Ejector Latch and Ejector Spring Stop Pin	26	Striker and Lifter Assembly
9	Ejector Latch Spring	27	Tang Screw
10	Ejector Spring	28	Tang Screw Washer
11	Ejector Stop Pin	29	Trigger
12	Firing Pin	30	Trigger Extension
13	Firing Pin Spring	31	Trigger Guard
14	Forend	32	Trigger Guard Pin, Front
15	Forend Screw	33	Trigger Guard Pin, Rear
16	Forend Spacer	34	Barrel Catch Pin
17	Forend Spacer Screws	35	Hammer Pin
18	Frame	36	Trigger Spring

Model 360 Autoloading Rifle



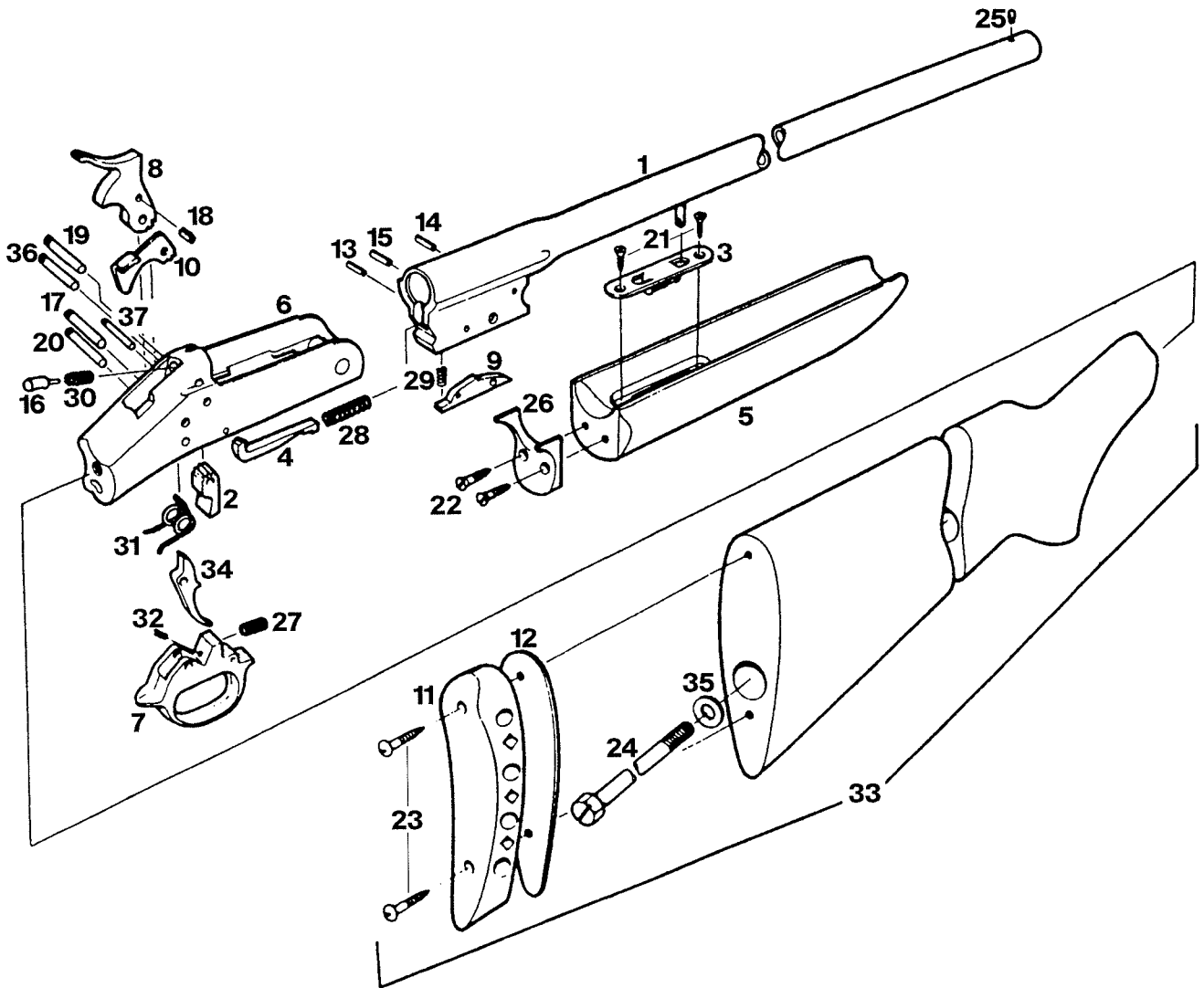
1	Magazine Latch Adapter	28	Sear Pin	55	Sear
2	Disconnecter Arm	29	Sear Stop Pin	56	Front Sight Blade
3	Action Bar	30	Trigger Pin	57	Rear Sight Base
4	Barrel	31	Gas Piston	58	Rear Sight Blade
5	Bolt	32	Buttplate	59	Rear Sight Slide
6	Gas Cylinder	33	Stock Bedding Plate	60	Rear Takedown Sleeve
7	Disconnecter	34	Swivel Tie-Down Plate	61	Action Bar Spring
8	Front Takedown Escutcheon Plate	35	Action Bar Plug	62	Bolt Stop Spring
9	Ejector	36	Bumper Plug	63	Disconnecter Arm Spring
10	Receiver Extension	37	Gas Cylinder Location Plug	64	Ejector Spring
11	Extractor	38	Gas Plug	65	Firing Pin Spring
12	Hammer	39	Safety Spring Plunger	66	Hammer Spring
13	Trigger Housing	40	Front Sight Ramp	67	Magazine Latch Adapter Spring
14	Safety Insert	41	Receiver	68	Safety Plunger Spring
15	Magazine	42	Action Bar Retaining Spring Rod	69	Sear Return Spring
16	Swivel Tie-Down Nut	43	Safety	70	Stock
17	Action Bar Plug Retaining Pin	44	Bolt Stop Screw	71	Bolt Stop
18	Disconnecter Arm Pin	45	Buttplate Screws	72	Trigger
19	Ejector Stop Pin	46	Disconnecter Screw	73	Stock and Swivel Washer
20	Firing Pin	47	Front Ramp Screw, Rear	74	Gas Cylinder Retaining Pins
21	Firing Pin Stop Pin	48	Front Ramp Screw, Front	75	Trigger Housing Pin
22	Gas Piston Alignment Pin	49	Front Swivel Screw with Swivel	76	Magazine Latch Adapter Pin
23	Gas Plug Retaining Pins	50	Rear Swivel Screw with Swivel	77	Hammer Pin
24	Hammer Stop Pin	51	Front Takedown Screw	Parts Not Shown	
25	Safety Retaining Pins	52	Rear Sight Base Screws	Safety and Sear Adjustment Screw	
26	Receiver Extension Pin	53	Rear Tie-Down Screw	Gas Piston Retaining Ring	
27	Receiver Pin	54	Scope Mount Filler Screws		

Model 440 Slide-Action Shotgun



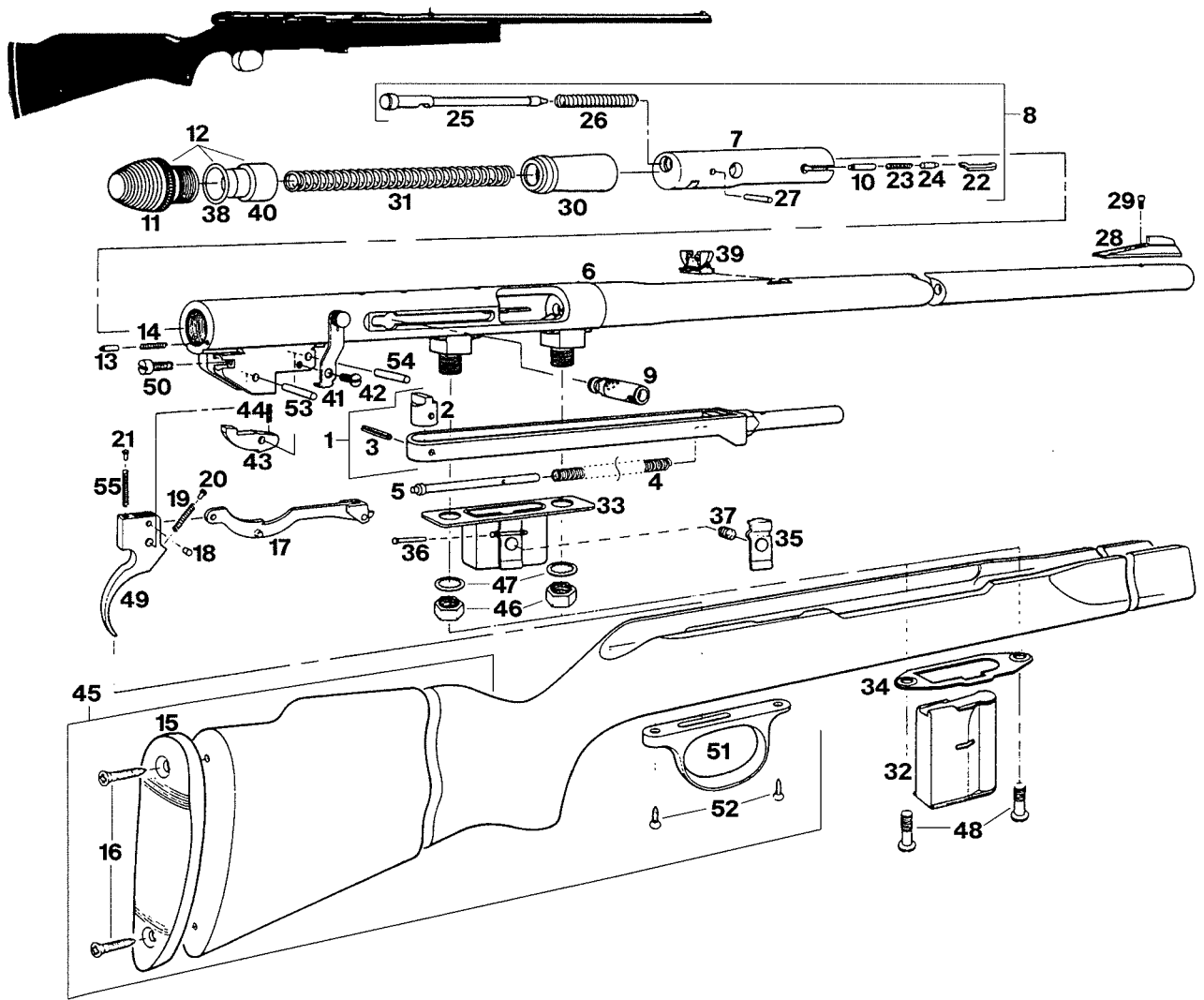
1	Ball Barrel Ring	24	Safety Catch Stop Pin	47	Slide Stop Spring Screw
2	Barrel	25	Sear Pin	48	Sear and Operating Rod
3	Bolt	26	Sear Operating Rod Pin	49	Sight, Front
4	Stock Mounting Bolt	27	Slide Stop and Hammer Pin	50	Barrel Ring Spring
5	Trigger Housing Pin Bushings	28	Trigger Pin	51	Carrier Spring
6	Magazine Cap	29	Trigger Housing Pins	52	Ejector Spring
7	Carrier	30	Bolt Lock Operating Plate	53	Extractor Spring
8	Safety Catch	31	Extractor Plunger	54	Firing Pin Return Spring
9	Trigger Housing Pins	32	Sear Safety Plunger	55	Hammer Spring
10	Ejector	33	Receiver	56	Magazine Spring
11	Extractor	34	Slide Stop Release	57	Safety Catch Spring
12	Plastic Filler	35	Magazine Spring Ring	58	Sear Safety Spring
13	Magazine Follower	36	Ejector Rivet, Front	59	Slide Stop Spring
14	Forend	37	Ejector Rivet, Rear	60	Trigger Spring
15	Trigger Guard	38	Cartridge Stop Rivet, Left	61	Stock Assembly
16	Hammer	39	Cartridge Stop Rivet, Right	62	Cartridge Stop, Left
17	Bolt Lock	40	Sear Safety Rivet	63	Cartridge Stop, Right
18	Forend Nut	41	Carrier Push Rod	64	Slide Stop
19	Stock Mounting Nut	42	Hammer Push Rod	65	Trigger
20	Recoil Pad	43	Operating Rod	66	Magazine Tube
21	Bolt Pin	44	Sear Safety	67	Stock Mounting Washer
22	Firing Pin	45	Recoil Pad Screws	68	Safety Catch Plunger
23	Firing Pin Stop Pin	46	Magazine Screws		

Model 480 and 580 Topper Jr. Single Shot Shotgun



1	Barrel	20	Trigger Pin
2	Barrel Catch	21	Forend Catch Screws
3	Forend Catch	22	Forend Spacer Screws
4	Ejector	23	Recoil Pad Screws
5	Forend	24	Tang Screw
6	Frame	25	Front Sight
7	Trigger Guard	26	Forend Spacer
8	Hammer	27	Barrel Catch Spring
9	Ejector Latch	28	Ejector Spring
10	Release Lever	29	Ejector Latch Spring
11	Recoil Pad	30	Firing Pin Spring
12	Recoil Filler Pad	31	Hammer Spring
13	Ejector Latch Pin	32	Trigger Spring
14	Ejector Spring Stop Pin	33	Stock
15	Ejector Stop Pin	34	Trigger
16	Firing Pin	35	Tang Screw Washer
17	Hammer Barrel Catch Pin	36	Barrel Catch Pin
18	Hammer Safety Pin	37	Trigger Guard Pin
19	Release Lever Pin		

Model 700 and 700 Deluxe Autoloading Rifle



1 Action Bar Assembly

2 Action Bar Lug

3 Action Bar Lug Pin

4 Action Bar Spring

5 Action Bar Spring Guide

6 Barrel

7 Bolt

8 Bolt Assembly

9 Bolt Handle

10 Bolt Handle Plunger

11 Bumper Plug

12 Bumper Plug Assembly

13 Bumper Plug Plunger

14 Bumper Plug Plunger Spring

15 Buttplate

16 Buttplate Screws

17 Disconnecter and Cam Assembly

18 Disconnecter Pin

19 Disconnecter Spring

20 Disconnecter Spring Plunger

21 Trigger Spring Plunger

22 Extractor

23 Extractor Spring

24 Extractor Spring Plunger

25 Firing Pin

26 Firing Pin Spring

27 Firing Pin Retaining Pin

28 Front Sight

29 Front Sight Screw

30 Hammer

31 Hammer Spring

32 Magazine Assembly

33 Magazine Guide Box and Release

Lever Assembly

34 Magazine Guide Plate

35 Magazine Release Lever

36 Magazine Release Lever Pin

37 Magazine Release Lever Spring

38 O Ring

39 Rear Sight

40 Recoil Buffer

41 Safety-Lever

42 Safety-Lever Screw

43 Sear

44 Sear Spring

45 Stock Assembly

46 Stud Nuts

47 Stud Nut Lock Washers

48 Takedown Screws

49 Trigger

50 Trigger Adjusting Screw

51 Trigger Guard

52 Trigger Guard Screws

53 Trigger Pin

54 Sear Pin

55 Trigger Spring

Parts Not Shown

Bullet Ramp

Ejector

Front Sight

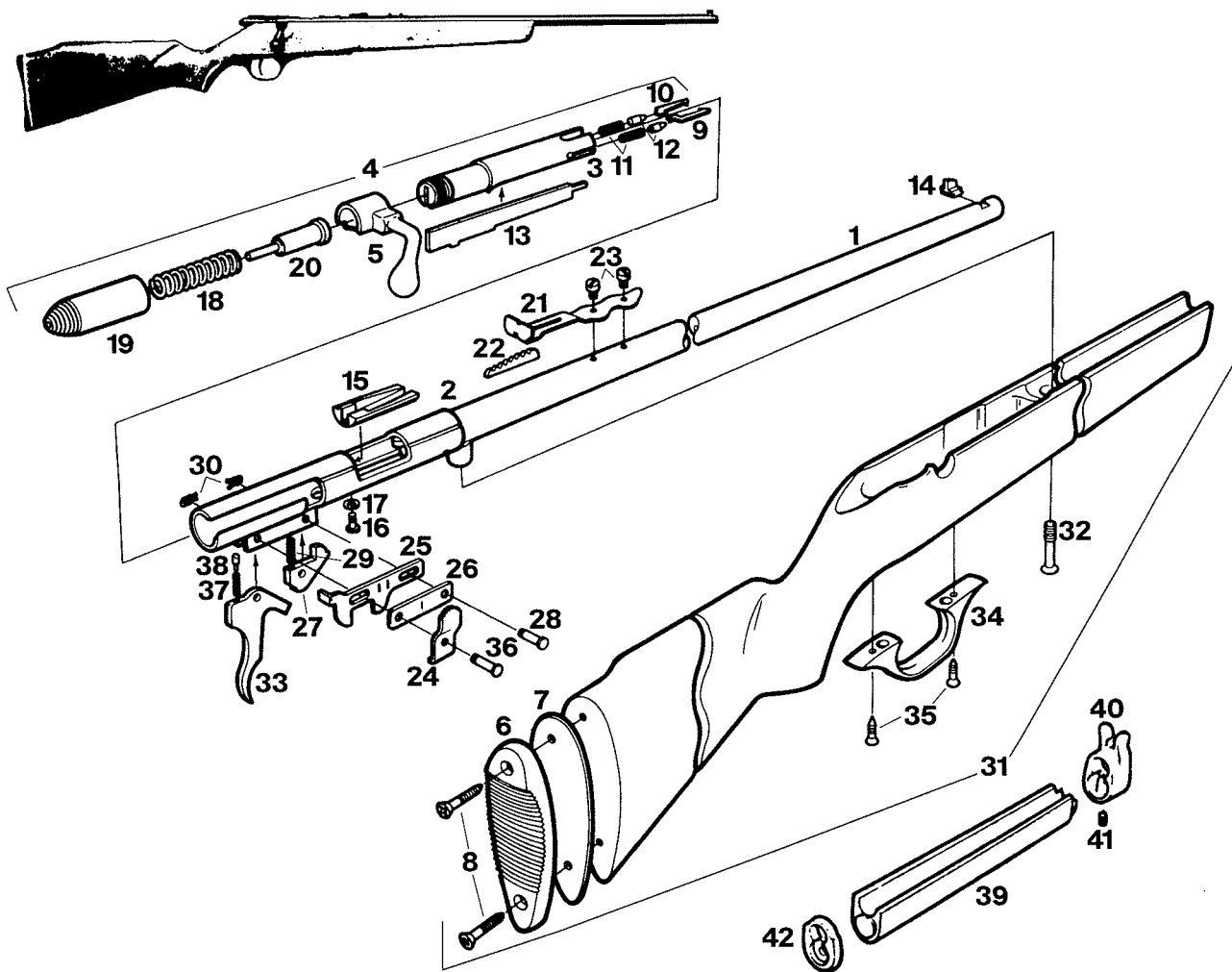
Front Sight Ramp

Magazine Guide Box Assembly

Trigger Adjusting Screw Lock Screw

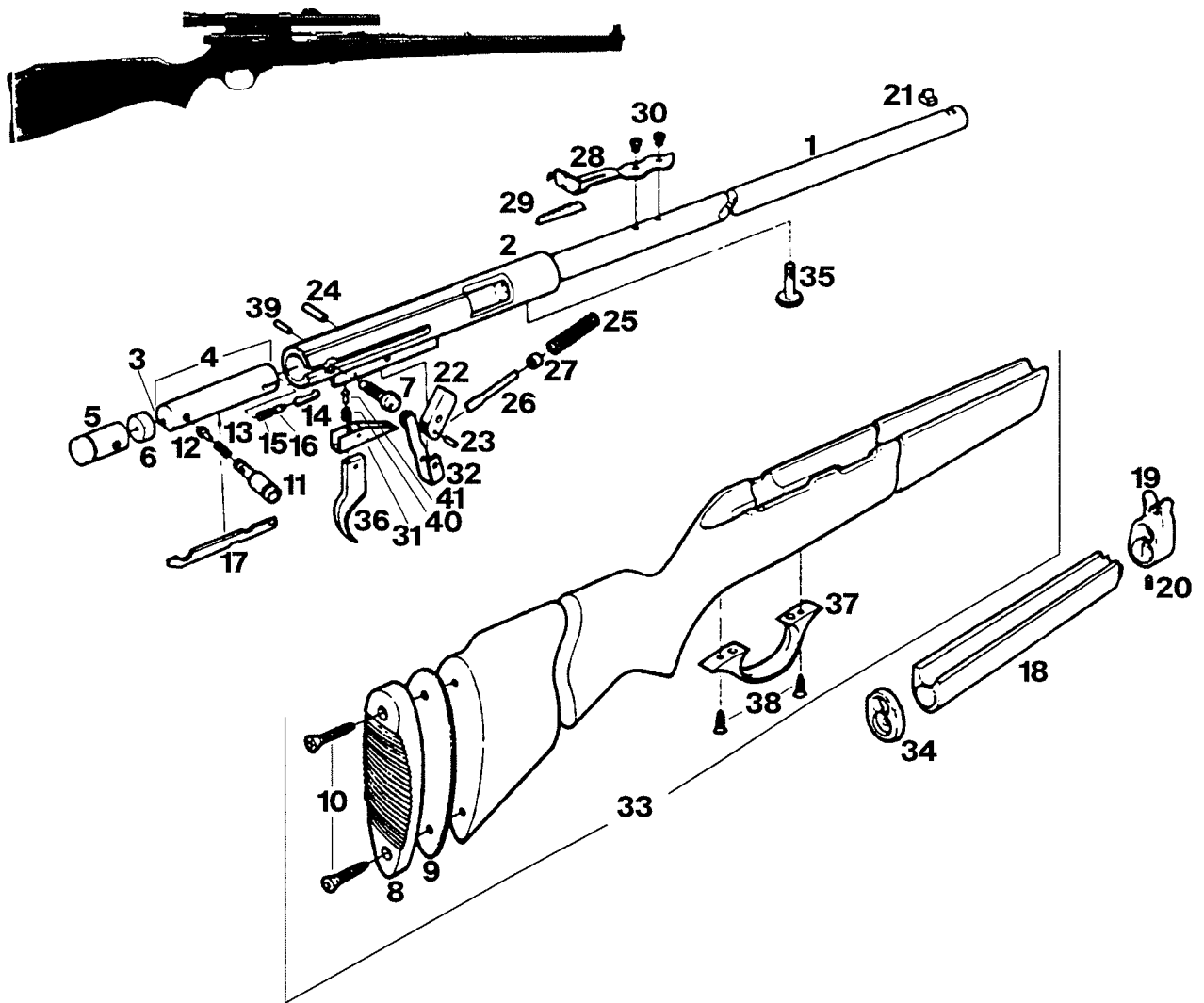
Trigger Housing

Model 750 and 751 Pioneer Bolt-Action Rifle



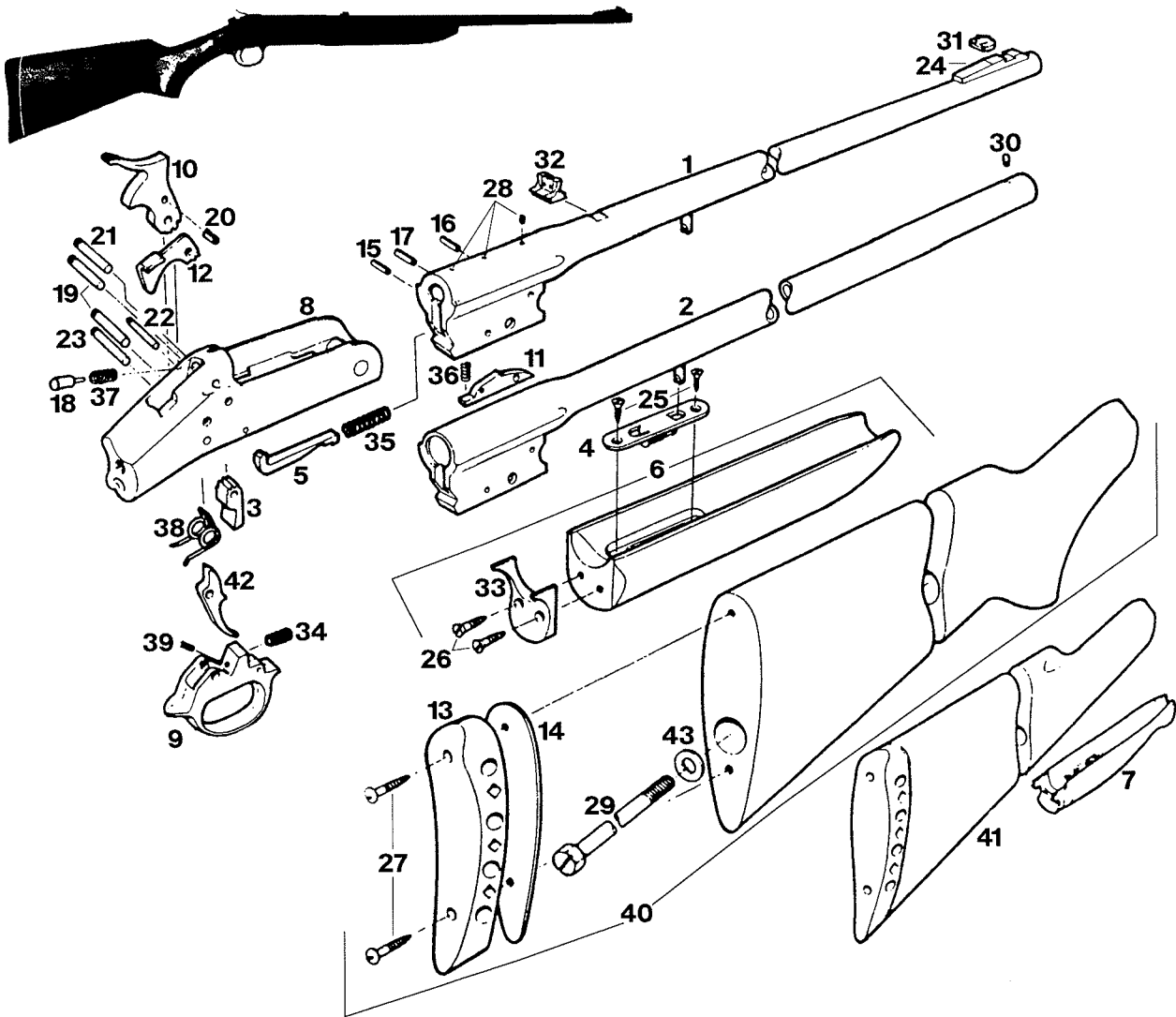
1	Barrel	22	Rear Sight Elevator
2	Barrel and Receiver Assembly	23	Rear Sight Screws
3	Bolt, Front	24	Safety-Lever
4	Bolt Assembly, Complete	25	Safety-Lever Slide
5	Bolt Cocking Cam Assembly	26	Safety-Lever Spring
6	Buttplate	27	Sear
7	Buttplate Filler	28	Sear Pin
8	Buttplate Screws	29	Sear Spring
9	Extractor, Right	30	Sear and Trigger Pin Clip
10	Extractor, Left	31	Stock Assembly, Complete
11	Extractor Springs	32	Takedown Screw
12	Extractor Spring Plungers	33	Trigger
13	Firing Pin	34	Trigger Guard
14	Front Sight	35	Trigger Guard Screws
15	Loading Platform	36	Trigger Pin
16	Loading Platform Screw	37	Trigger Spring
17	Loading Platform Screw Washer	38	Trigger Spring Plunger
18	Mainspring	39	Forend
19	Mainspring Housing	40	Front Sight
20	Mainspring Plunger with Safety Pin	41	Front Sight Screw
21	Rear Sight	42	Stock Band

Model 755 and 760 Sahara Single Shot Rifle



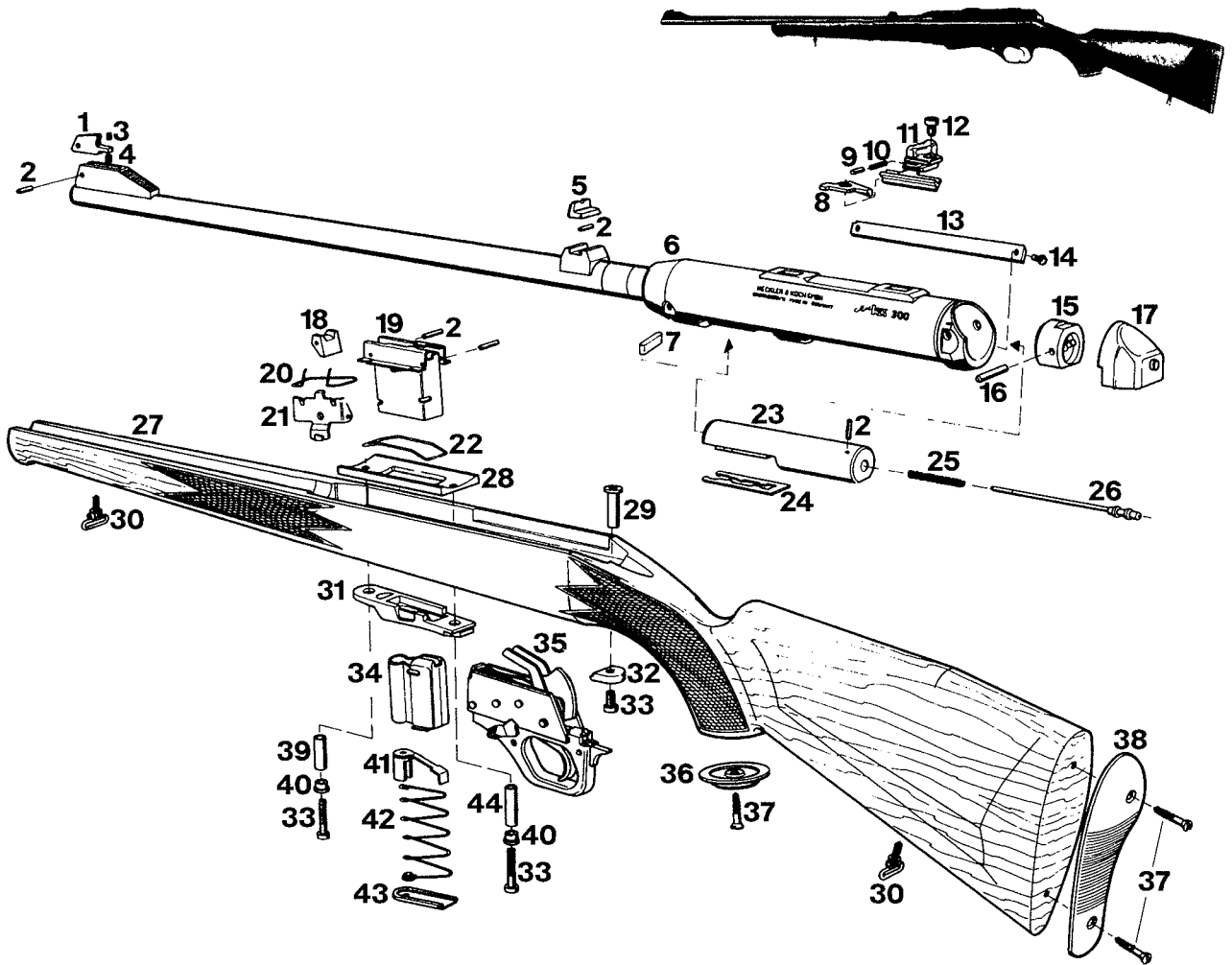
1	Barrel	22	Hammer
2	Barrel and Receiver Assembly	23	Hammer Cross Pin
3	Bolt	24	Hammer Pivot Pin
4	Bolt Assembly	25	Hammer Spring
5	Bumper Plug	26	Hammer Spring Guide
6	Bumper Plug Insert	27	Hammer Spring Guide Sleeve
7	Bumper Plug Screw	28	Rear Sight
8	Buttplate	29	Rear Sight Elevator
9	Buttplate Filler	30	Rear Sight Screws
10	Buttplate Screws	31	Sear
11	Cocking Handle	32	Safety Assembly
12	Cocking Handle Plunger	33	Stock Assembly
13	Cocking Handle Plunger Spring	34	Stock Band
14	Extractor	35	Takedown Screw
15	Extractor Spring	36	Trigger
16	Extractor Spring Plunger	37	Trigger Guard
17	Firing Pin	38	Trigger Guard Screws
18	Forend	39	Trigger Pin
19	Front Sight (755)	40	Trigger Spring
20	Front Sight Screw	41	Trigger Spring Plunger
21	Front Sight (760)		

Topper Model 158 Combo and Mustang Model 163 Single Shot Rifle



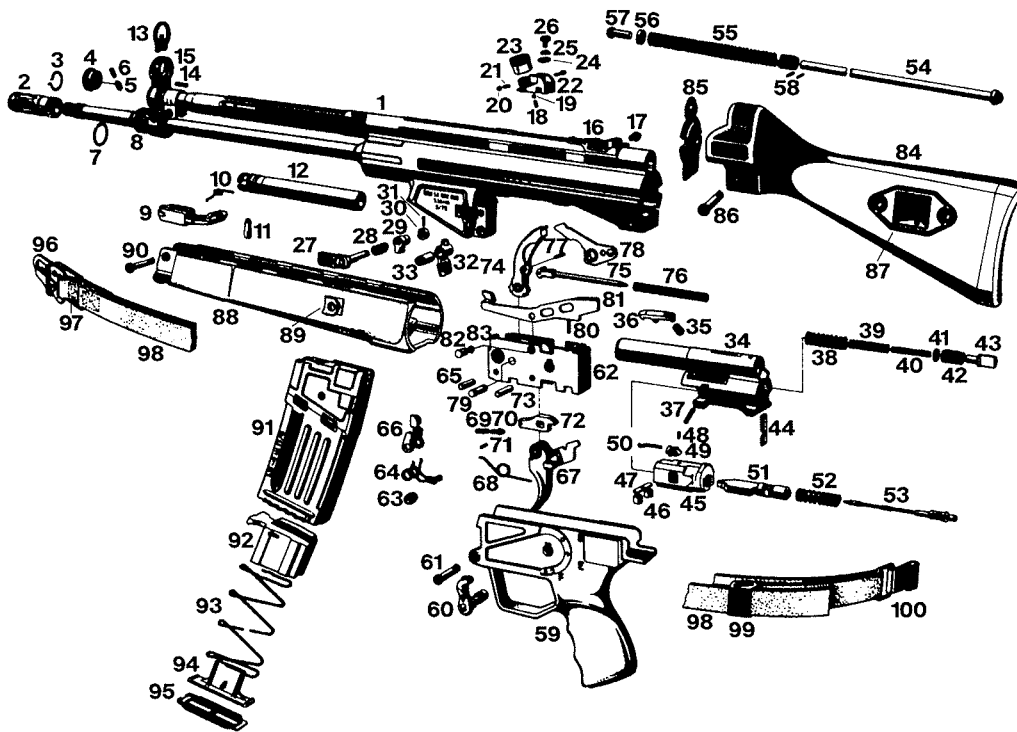
1	Barrel Assembly (Rifle)	22	Front Guard Pin
2	Barrel Assembly (Shotgun)	23	Trigger and Guard Pin, Rear
3	Barrel Catch	24	Front Sight Ramp
4	Forend Assembly Catch	25	Forend Catch Screw
5	Ejector	26	Forend Spacer Screws
6	Forend Assembly (Model 158)	27	Recoil Pad Screw
7	Forend Assembly (Model 163)	28	Sight Base Plug Screws
8	Frame	29	Tang Screw
9	Trigger Guard	30	Front Sight (Shotgun)
10	Hammer	31	Front Sight (Rifle)
11	Ejector Latch	32	Rear Sight (Rifle)
12	Release Lever	33	Forend Spacer
13	Recoil Pad	34	Barrel Catch Spring
14	Plastic Recoil Filler Pad	35	Ejector Spring
15	Ejector Latch Pin	36	Ejector Latch Spring
16	Ejector Spring Stop Pin	37	Firing Pin Spring
17	Ejector Stop Pin	38	Hammer Spring
18	Firing Pin	39	Trigger Spring
19	Hammer and Barrel Catch Pins	40	Stock Assembly (Model 158)
20	Hammer Safety Pin	41	Stock Assembly (Model 163)
21	Release Lever and Firing Pin Retainer Pin	42	Trigger
		43	Tang Screw Washer

300 Autoloading Rifle



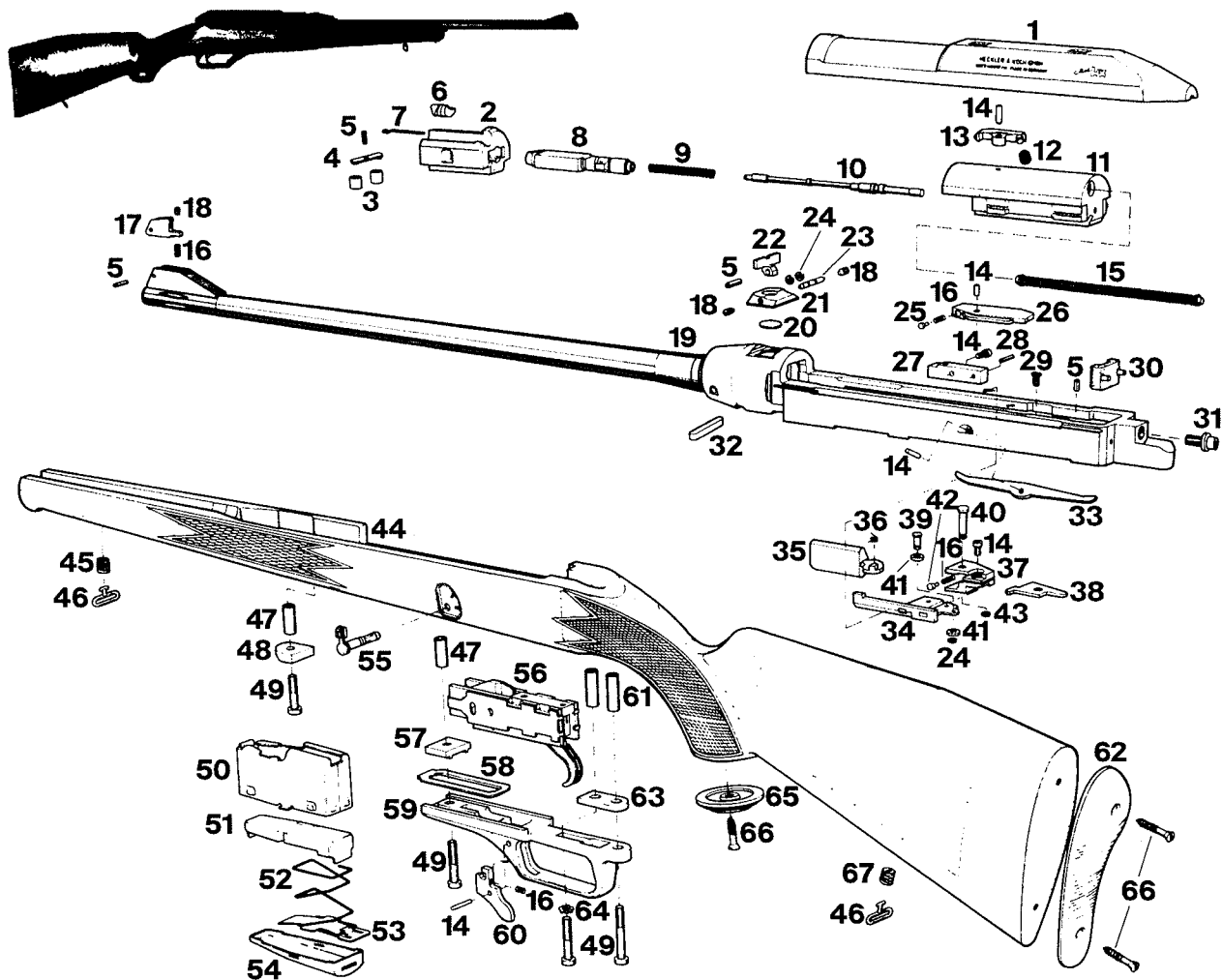
1	Front Sight	24	Extractor
2	Clamping Sleeves	25	Firing Pin Spring
3	Threaded Pin	26	Firing Pin
4	Compression Spring for Ball Catch	27	Stock
5	Rear Sight	28	Supporting Plate
6	Receiver with Barrel	29	Threaded Bush
7	Parallel Key	30	Sling Swivel Hook
8	Catch Lever	31	Base Plate
9	Cylindrical Pin	32	Retaining Plate
10	Cocking Lever Spring	33	Cylinder Head Screws
11	Cocking Lever with Slide	34	Magazine Housing
12	Cylindrical Screw	35	Trigger Assembly, Complete
13	Cover Plate	36	Cap
14	Countersunk Screw	37	Lens Head Countersunk Wood Screws
15	Buffer	38	Buttcap
16	Retaining Pin	39	Spacer, Front
17	Back Plate, Complete	40	Spacer Ring
18	Feed Ramp	41	Follower
19	Magazine Well	42	Follower Spring Assembly
20	Magazine Catch Spring	43	Magazine Floorplate
21	Magazine Catch	44	Spacer
22	Retaining Spring		
23	Bolt Head		

33 Full-Auto Rifle



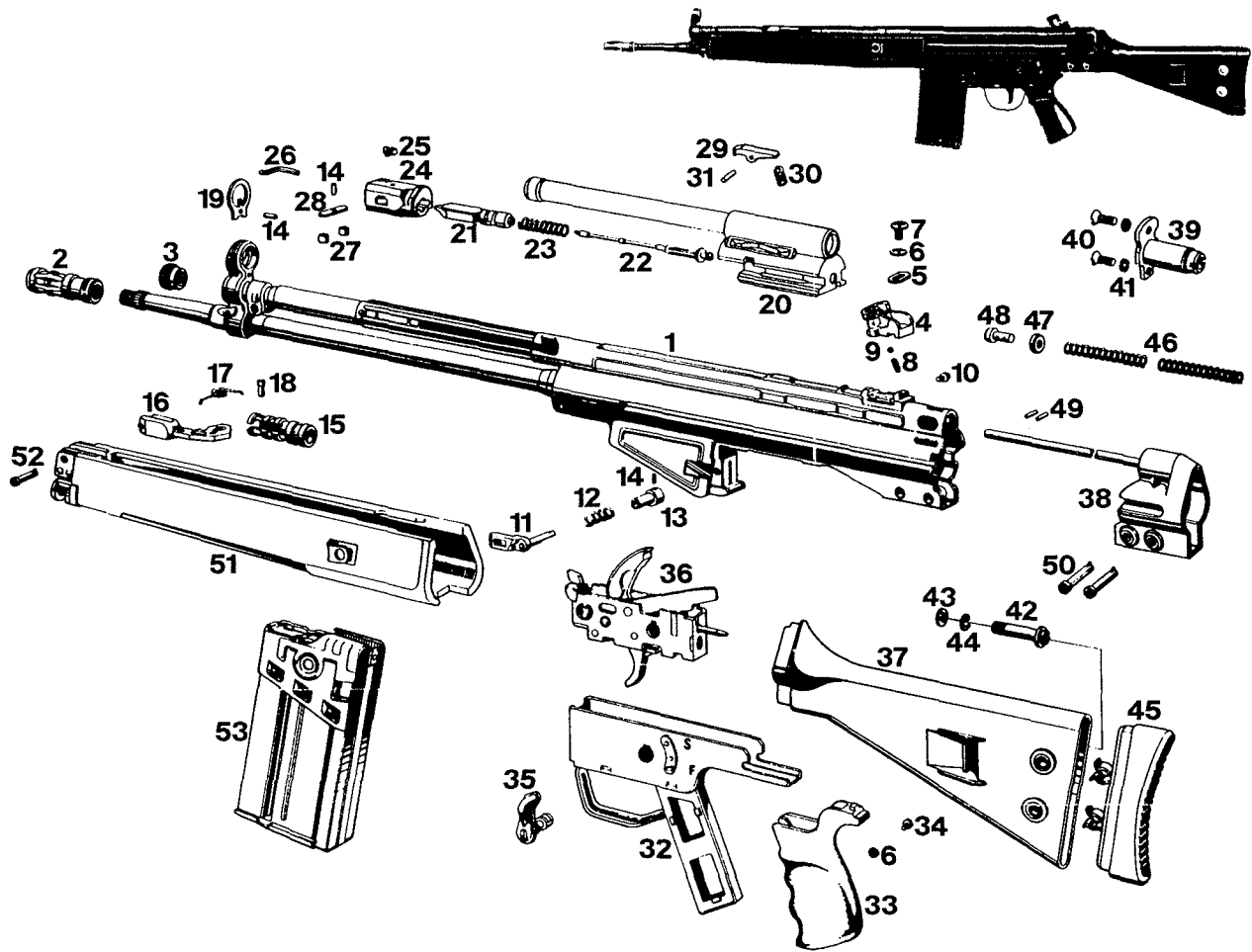
1	Barreled Receiver	35	Bolt Head Locking Lever Spring	69	Trigger Bolt Compression Spring
2	Flash Suppressor	36	Bolt Head Locking Lever	70	Trigger Bolt
3	Retaining Spring	37	Cylindrical Pin	71	Retaining Pin
4	Cap	38	Outer Buffer Spring	72	Sear
5	Compression Bolt for Cap	39	Center Buffer Spring	73	Trigger Pivot Pin
6	Pressure Spring for Cap	40	Inner Buffer Spring	74	Hammer
7	Spring Ring	41	Disc	75	Pressure Shank
8	Eye Bolt	42	Brake Spring	76	Pressure Spring
9	Cocking Lever	43	Buffer Bolt	77	Rivet
10	Cocking Lever Elbow Spring	44	Buffer Stop	78	Release Lever
11	Cocking Lever Pivot Pin	45	Bolt Head	79	Hammer Pivot Pin
12	Cocking Lever Support	46	Locking Rollers	80	Ejector Pressure Spring
13	Front Sight	47	Locking Roller Retainer	81	Ejector
14	Retaining Pin	48	Retaining Pin	82	Ejector Pivot Pin
15	Front Sight Holder	49	Extractor	83	Spring Ring
16	Sight Base	50	Extractor Spring	84	Buttstock
17	Adjusting Screw	51	Locking Piece	85	Back Plate
18	Ball Catch Compression Spring	52	Firing Pin Spring	86	Buttstock Locking Pin
19	Ball	53	Firing Pin	87	Carrying Sling Support
20	Catch Bolt	54	Recoil Spring Guide Rod	88	Handguard
21	Catch Bolt Spring	55	Recoil Spring	89	Hook
22	Sight Support	56	Recoil Spring Guide Ring	90	Handguard Locking Pin
23	Sight Cylinder	57	Stop Pin	91	Magazine Housing
24	Fix Plate	58	Rivets	92	Follower
25	Locking Washer	59	Grip	93	Follower Spring
26	Binding Screw	60	Safety	94	Floorplate Spring
27	Magazine Catch	61	Grip Locking Pin	95	Magazine Floorplate
28	Compression Spring	62	Trigger Housing	96	Carbine Hook
29	Contact Piece	63	Catch Spacer Sleeve	97	Double Eye
30	Push Button	64	Elbow Spring with Roller	98	Carrying Sling
31	Retaining Pin	65	Catch	99	Sling Buckle
32	Magazine Release Lever	66	Catch Pivot Pin	100	Spring Hook
33	Magazine Release Lever Bushing	67	Trigger		
34	Bolt Head Carrier	68	Trigger Spring		

630, 770 and 940 Autoloading Rifle



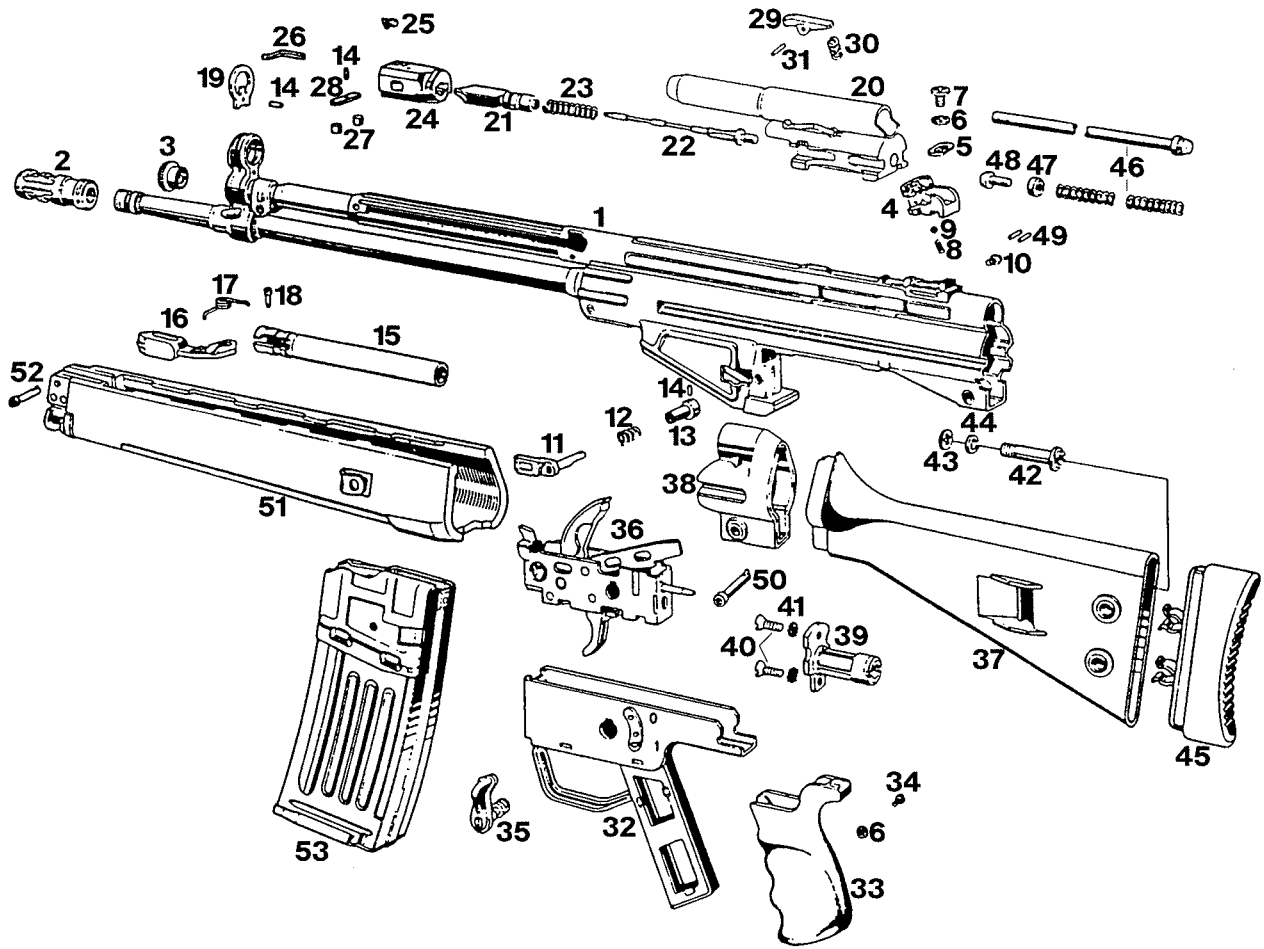
1	Upper Receiver, Complete	21	Rear Sight Base	45	Threaded Bush, Front
2	Bolt Head	22	Rear Sight	46	Sling Swivels
3	Locking Rollers	23	Rear Sight Axle	47	Bushings, Center
4	Holder for Locking Rollers	24	Lock Washer	48	Cover
5	Clamping Sleeves	25	Pressure Bolt	49	Cylinder Head Screw
6	Extractor	26	Support Lever	50	Magazine
7	Extractor Spring	27	Ramp	51	Follower
8	Locking Piece	28	Retaining Pin	52	Follower Spring
9	Firing Pin Spring	29	Raised Countersunk Head Screw	53	Locking Plate
10	Firing Pin	30	Buffer Plate	54	Floorplate
11	Bolt Head Carrier	31	Spindle	55	Safety
12	Compression Spring for Bolt Head Locking Lever	32	Feather Key	56	Trigger Assembly Housing, Complete
13	Bolt Head Locking Lever, Complete	33	Ejector	57	Retaining Unit
14	Cylindrical Pins	34	Cocking Slide	58	Latch
15	Recoil Spring Assembly	35	Cocking Lever, Complete	59	Trigger Guard, Assembled
16	Compression Spring for Ball Catch	36	Elbow Spring	60	Magazine Catch
17	Front Sight	37	Bearing Plate	61	Center Bushings
18	Threaded Pins	38	Catch Lever	62	Buttcap
19	Receiver with Barrel	39	Axle for Support Roller	63	Intermediate Plate
20	Leaf Spring	40	Axle for Cocking Lever	64	Toothed Lock Washer
		41	Support Roller	65	Cap
		42	Stop Pin	66	Oval Head Wood Screws
		43	Lock Washer	67	Threaded Bushing, Rear
		44	Stock, Complete		

91A2 Autoloading Rifle



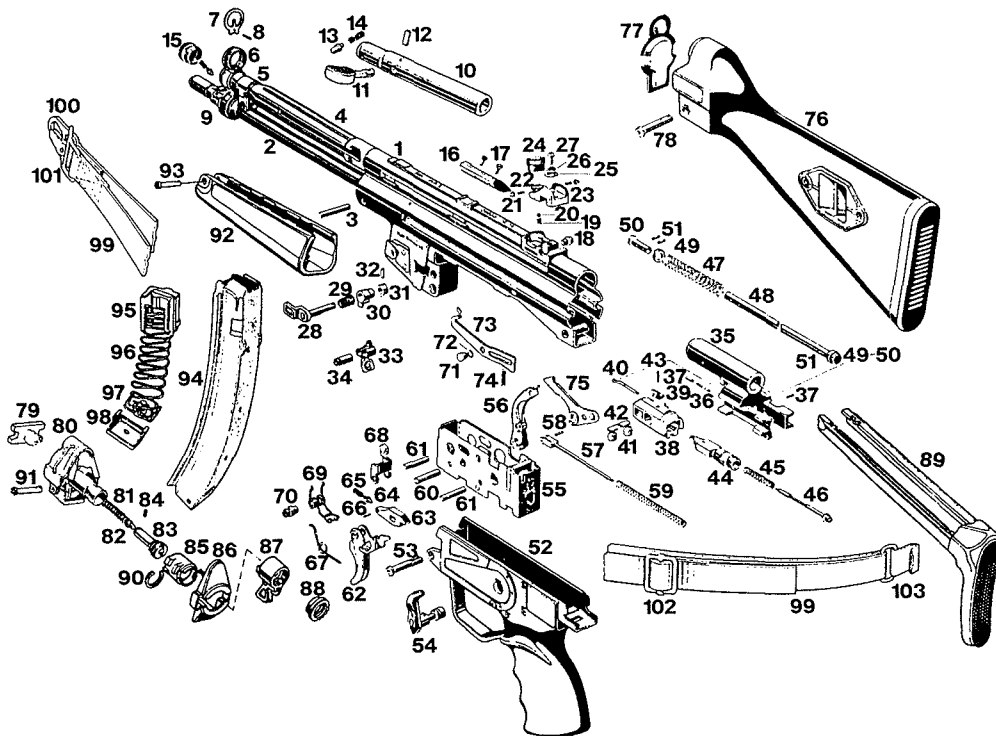
1	Receiver with Barrel and Cocking Lever Housing	17	Elbow Spring for Cocking Lever	35	Safety, Complete
2	Flash Hider, Complete	18	Cocking Lever Axle	36	Trigger Housing, Complete
3	Cap, Complete	19	Front Sight	37	Buttstock
4	Rotary Rear Sight	20	Bolt Head Carrier	38	Back Plate, Complete
5	Washer	21	Locking Piece	39	Buffer
6	Toothed Lock Washer	22	Firing Pin	40	Countersunk Screws for Buffer
7	Clamping Screw	23	Firing Pin Spring	41	Lock Washers
8	Compression Springs for Ball Catch	24	Bolt Head, Complete	42	Buffer Screw
9	Balls	25	Extractor	43	Lock Washer
10	Windage Adjusting Screw	26	Extractor Spring	44	Spring Ring
11	Magazine Catch, Complete	27	Locking Rollers	45	Buttplate
12	Compression Spring for Magazine Catch	28	Holder for Locking Rollers	46	Recoil Spring
13	Push Button for Magazine Catch	29	Bolt Head Locking Lever	47	Recoil Spring Guide Ring
14	Clamping Sleeve	30	Compression Spring for Bolt Head Locking Lever	48	Recoil Spring Stop Pin
15	Support for Cocking Lever	31	Cylindrical Pin	49	Riveted Pins
16	Cocking Lever	32	Pistol Grip	50	Buttstock Locking Pins
		33	Grip	51	Handguard
		34	Lens Head Cylindrical Screw	52	Handguard Locking Pin
				53	Magazine

93A2 Autoloading Rifle



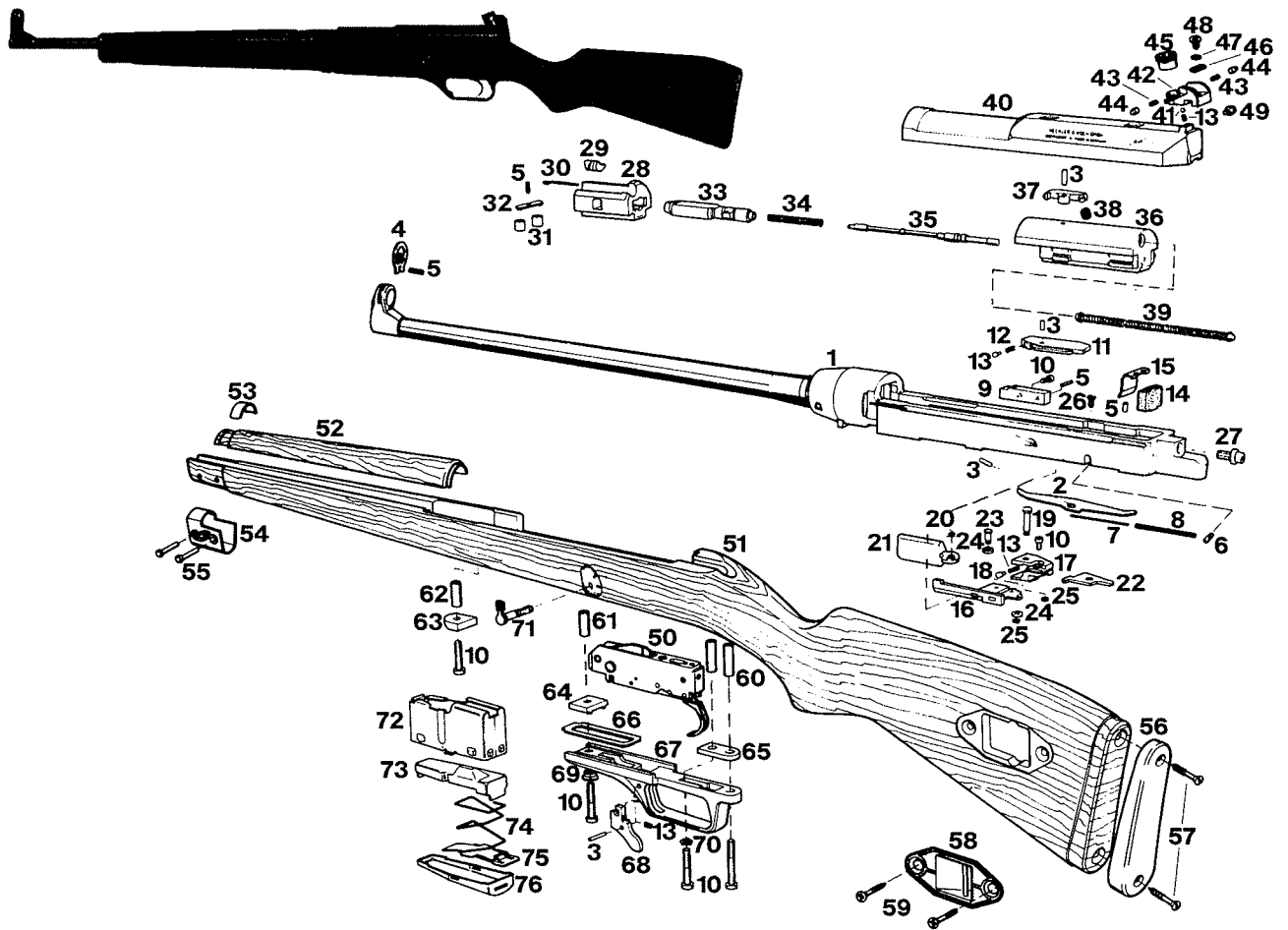
1	Receiver with Barrel and Cocking Lever Housing	17	Elbow Spring for Cocking Lever	35	Safety, Complete
2	Flash Hider, Complete	18	Cocking Lever Axle	36	Trigger Housing, Complete
3	Cap, Complete	19	Front Sight	37	Buttstock
4	Rotary Rear Sight	20	Bolt Head Carrier	38	Back Plate, Complete
5	Washer	21	Locking Piece	39	Buffer
6	Toothed Lock Washer	22	Firing Pin	40	Countersunk Screws for Buffer
7	Clamping Screw	23	Firing Pin Spring	41	Lock Washers
8	Compression Springs for Ball Catch	24	Bolt Head, Complete	42	Buffer Screw
9	Balls	25	Extractor	43	Lock Washer
10	Windage Adjusting Screw	26	Extractor Spring	44	Spring Ring
11	Magazine Catch, Complete	27	Locking Rollers	45	Buttplate
12	Compression Spring for Magazine Catch	28	Holder for Locking Rollers	46	Recoil Spring Assembly
13	Push Button for Magazine Catch	29	Bolt Head Locking Lever	47	Recoil Spring Guide Ring
14	Clamping Sleeve	30	Compression Spring for Bolt Head Locking Lever	48	Recoil Spring Stop Pin
15	Support for Cocking Lever	31	Cylindrical Pin	49	Riveted Pins
16	Cocking Lever	32	Pistol Grip	50	Buttstock Locking Pins
		33	Grip	51	Handguard
		34	Lens Head Cylindrical Screw	52	Handguard Locking Pin
				53	Magazine

MP 5A2/A3 Full-Auto Rifle



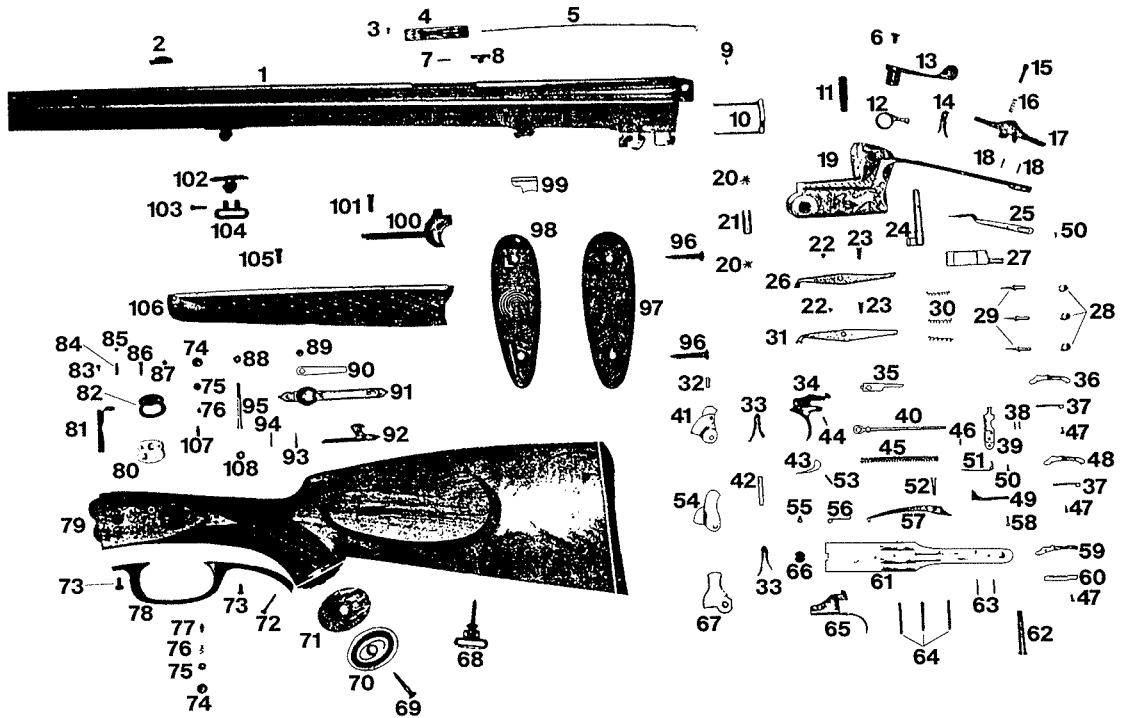
1	Receiver	36	Stop Pin	71	Axle for Ejector
2	Barrel	37	Clamping Sleeve	72	Spring Ring
3	Dowel Pin	38	Bolt Head	73	Ejector
4	Cocking Lever Housing	39	Extractor	74	Ejector Spring
5	Retaining Clip with Bush	40	Extractor Spring	75	Release Lever
6	Front Sight Holder	41	Locking Rollers	76	Buttstock
7	Front Sight	42	Holder for Locking Rollers	77	Back Plate
8	Clamping Sleeve	43	Clamping Sleeve	78	Locking Pin for Buttstock
9	Eye Bolt	44	Locking Piece	79	Buffer
10	Cocking Lever Support with Collar	45	Firing Pin Spring	80	Back Plate
11	Cocking Lever	46	Firing Pin	81	Compression Spring
12	Axle for Cocking Lever	47	Recoil Spring	82	Compression Bolt
13	Catch Bolt	48	Recoil Spring Guide Rod	83	Buffer Screw
14	Spring for Catch Bolt	49	Guide Ring for Recoil Spring	84	Clamping Sleeve
15	Cap	50	Stop Pin for Recoil Spring	85	Ratchet
16	Cartridge Case Deflector	51	Riveting Pin	86	Protective Cover with Plug
17	Rivets for Cartridge Case Deflector	52	Pistol Grip	87	Clamping Lever
18	Adjusting Screw	53	Locking Pin for Pistol Grip	88	Spring Ring with Catch
19	Compression Spring	54	Selector Lever	89	Buttstock, Retractable
20	Ball	55	Trigger Housing	90	Circlip
21	Catch Bolt	56	Hammer	91	Locking Pin, Complete
22	Spring for Catch Bolt	57	Pressure Shank for Hammer	92	Handguard
23	Rear Sight Support	58	Riveting Pin for Pressure Shank	93	Locking Pin for Handguard
24	Rear Sight Cylinder	59	Compression Spring for Hammer	94	Magazine Housing
25	Washer	60	Axle for Hammer	95	Follower
26	Toothed Lock Washer	61	Axle for Trigger and Catch	96	Follower Spring
27	Clamping Screw	62	Trigger	97	Spring Floorplate
28	Magazine Catch	63	Sear	98	Magazine Floorplate
29	Spring for Magazine Catch	64	Trigger Bolt	99	Carrying Sling
30	Contact Piece	65	Spring for Trigger Bolt	100	Carbine Hook
31	Push Button	66	Clamping Sleeve	101	Double Eye
32	Clamping Sleeve	67	Elbow Spring for Trigger	102	Buckle
33	Magazine Release Lever	68	Catch	103	Spring Hook
34	Bush for Magazine Release Lever	69	Elbow Spring with Roller for Catch		
35	Bolt Head Carrier	70	Distance Sleeve		

SL6 and SL7 Autoloading Rifle



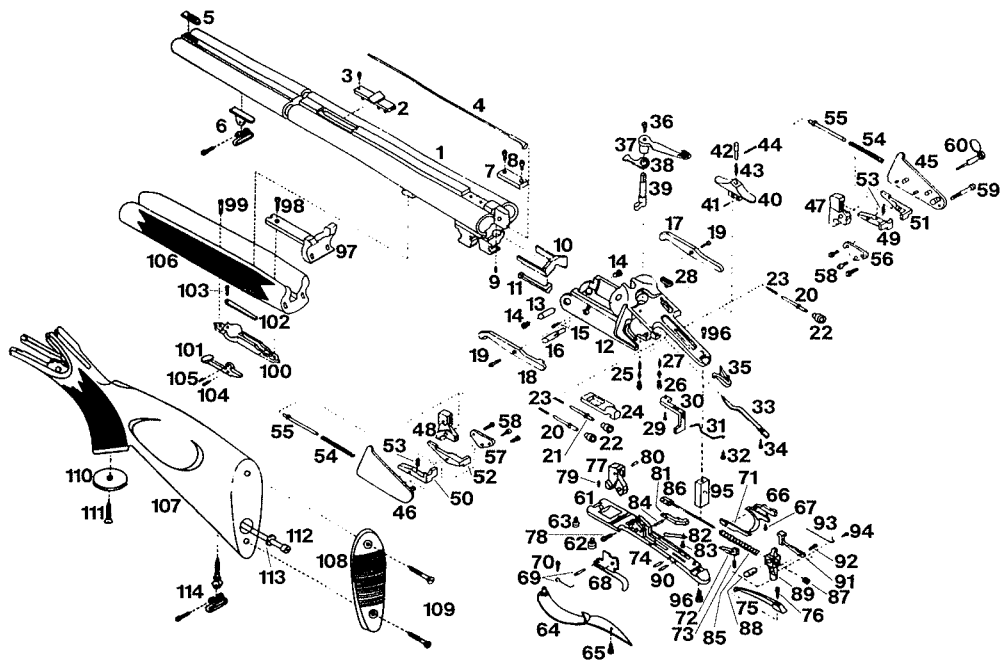
1	Receiver with Barrel	27	Spindle	51	Stock
2	Ejector	28	Bolt Head	52	Handguard
3	Cylindrical Pin	29	Extractor	53	Spacer Clip
4	Front Sight	30	Extractor Spring	54	Band
5	Clamping Sleeves	31	Locking Rollers	55	Retaining Bolts
6	Spring Holder	32	Holder for Locking Rollers	56	Buttcap
7	Spring Guide	33	Locking Piece	57	Wood Screws
8	Ejector Spring	34	Firing Pin Return Spring	58	Holder for Carrying Sling
9	Ramp	35	Firing Pin	59	Wood Screws
10	Cylinder Head Screws	36	Bolt Head Carrier	60	Bushings, Long
11	Support Lever	37	Bolt Head Locking Lever	61	Bushing, Medium
12	Compression Spring for Ball Catch	38	Compression Spring for Bolt Head	62	Bushing, Short
13	Pressure Bolts		Locking Lever	63	Cover
14	Buffer Plate	39	Recoil Spring	64	Retaining Unit
15	Buffer Sheet	40	Upper Receiver	65	Intermediate Plate
16	Cocking Slide	41	Ball	66	Magazine Catch
17	Cocking Lever Support	42	Rear Sight Support	67	Trigger Guard
18	Stop Pin	43	Compression Springs	68	Magazine Release Lever
19	Cocking Lever Axle	44	Catch Bolts	69	Spacer Ring
20	Elbow Spring	45	Rear Sight Cylinder	70	Toothed Lock Washer
21	Cocking Lever, Complete	46	Washer	71	Safety
22	Catch Lever	47	Serrated Lock Washer	72	Magazine Housing
23	Axle for Slide Roller	48	Clamping Screw	73	Follower
24	Slide Rollers	49	Windage Adjustment Screw	74	Follower Spring
25	Retaining Washers	50	Trigger Housing, Complete	75	Locking Plate
26	Raised Countersunk Head Screw			76	Magazine Floorplate

Model 33N Drilling



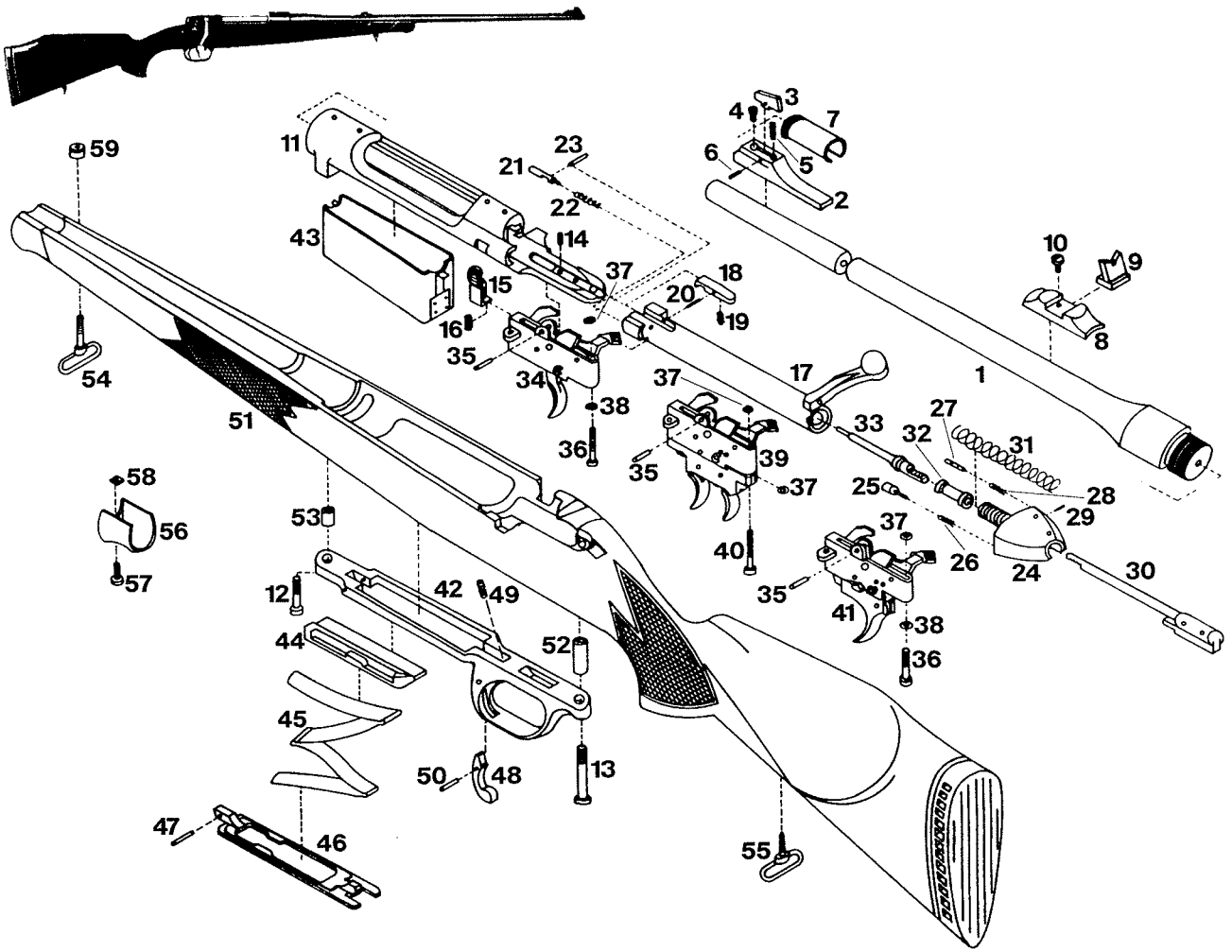
1	Barrel Unit	37	Right Sear Spring	73	Guard Screws
2	Front Sight	38	Safety Bearings	74	Large Cocking Indicator Pin Grommet
3	Rear Sight Screw	39	Safety Connector	75	Small Cocking Indicator Pin Grommet
4	Rear Sight Base	40	Hammer Spring Guide	76	Cocking Indicator Pin Spring
5	Rear Sight Actuator Rod	41	Hammer, Right	77	Short Cocking Indicator Pin
6	Top Lever Screw	42	Hammer Pivot Pin	78	Guard
7	Rear Sight Pivot Pin	43	Set Trigger Sear	79	Stock
8	Rear Sight	44	Trigger, Right	80	Change Lever Plate
9	Rear Sight Rod Screw	45	Hammer Spring	81	Change Lever
10	Ejector Unit	46	Cocking Knob Frame	82	Change Lever Cover Plate
11	Barrel Crossbolt Shaft	47	Sear Spring Screw	83	Cover Plate Screws
12	Top Lever Connector, Crossbolt Shaft	48	Sear, Rifle	84	Ball Detent Spring
13	Top Lever	49	Safety Connector Bar	85	Ball Detent
14	Top Lever Spring	50	Connector Bar Screw	86	Safety Screw
15	Safety Plunger	51	Connector Spring	87	Threaded Safety Pin
16	Safety Plunger Spring	52	Trigger Spring	88	Stock Bolt Grommet
17	Safety	53	Set Trigger Sear Spring	89	Forend Latch Spring Screw
18	Safety Pins	54	Hammer, Rifle	90	Forend Latch Spring
19	Receiver	55	Trigger Spring Screw	91	Forend Latch Housing
20	Barrel Pivot Cap Screws	56	Trigger Spring	92	Forend Latch
21	Barrel Pivot	57	Safety Actuator	93	Forend Latch Pivot Pin
22	Cocking Lever Lock Screws	58	Actuator Screw	94	Forend Latch Pivot Limit Pin
23	Cocking Lever Pivot Screws	59	Sear, Left	95	Change Lever Screw
24	Top Lever Shaft	60	Left Trigger Sear Spring	96	Buttplate Screws
25	Rifle Change Lever	61	Trigger Plate	97	Buttplate Spacer
26	Cocking Lever, Left	62	Stock Screw	98	Buttplate
27	Locking Block	63	Trigger Pins	99	Ejector Actuator
28	Firing Pin Retainers	64	Sear Pins	100	Forend Base
29	Firing Pins	65	Trigger, Left	101	Forend Base Screw
30	Firing Pin Springs	66	Large Trigger Plate Screw	102	Sling Loop Base
31	Cocking Lever, Right	67	Hammer, Left	103	Sling Loop Screw
32	Sear Pin	68	Rear Sling Loop	104	Sling Loop
33	Sear Spring	69	Grip Cap Screw	105	Forend Base Screw
34	Trigger Extension	70	Grip Cap	106	Forend
35	Set Trigger Spring	71	Grip Cap Spacer		
36	Sear, Right	72	Rear Guard Screw		

Model 37 Drilling



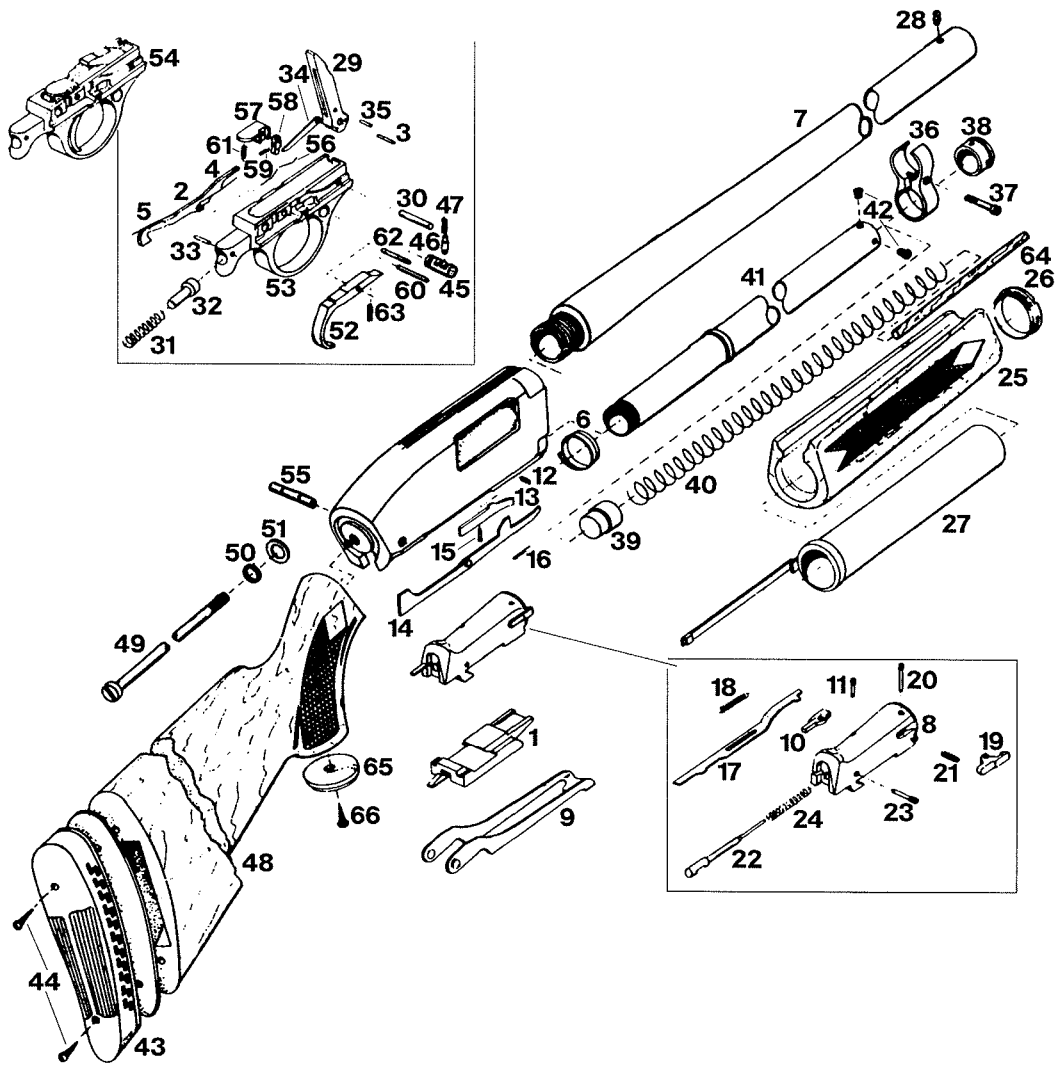
1	Barrel Unit	39	Top Lever Shaft	77	Hammer, Rifle
2	Rear Sight Base	40	Safety Button	78	Hammer Pivot
3	Sight Base Screw	41	Safety Pin	79	Set Screw
4	Sight Actuator Rod	42	Safety Plunger	80	Spring Guide Pin
5	Front Sight	43	Plunger Spring	81	Hammer Sear, Rifle
6	Sling Loop Assembly	44	Plunger Retaining Pin	82	Sear Spring
7	Rib Spacer Plate	45	Sideplate, Right	83	Spring Screw
8	Plate Screws	46	Sideplate, Left	84	Sear Pin
9	Sight Actuator Rod Screw	47	Hammer, Right	85	Hammer Spring, Rifle
10	Ejector	48	Hammer, Left	86	Spring Guide
11	Ejector Actuator	49	Sear, Right	87	Guide Seat
12	Receiver	50	Sear, Left	88	Safety Crosspiece
13	Barrel Unit Pivot	51	Sear Lever, Right	89	Safety
14	Pivot Cap Screws	52	Sear Lever, Left	90	Safety Pin
15	Lock Screw	53	Sear Springs	91	Safety Connector
16	Barrel Unit Crossbolt	54	Hammer Springs	92	Connector Screw
17	Cocking Lever, Right	55	Hammer Spring Guides	93	Safety Spring
18	Cocking Lever, Left	56	Sideplate Yoke, Right	94	Spring Screw
19	Cocking Lever Pivot Screws	57	Sideplate Yoke, Left	95	Frame Post
20	Firing Pins, Left and Right	58	Yoke Screws	96	Post Screws
21	Firing Pin, Rifle	59	Sideplate Screw	97	Forend Base
22	Firing Pin Retainers	60	Sideplate Lever	98	Base Screw
23	Firing Pin Springs	61	Trigger Plate	99	Latch Housing Screw
24	Barrel Unit Locking Bolt	62	Plate Screw	100	Forend Latch Housing
25	Cocking Indicators, Left and Right	63	Plate Screw	101	Forend Latch
26	Cocking Indicator Retainers	64	Guard	102	Latch Spring
27	Cocking Indicator Springs	65	Guard Screw	103	Spring Screw
28	Rifle Change Button	66	Trigger, Right	104	Latch Pivot Pin
29	Button Screw	67	Trigger Limit Screw	105	Latch Limit Pin
30	Button Connector	68	Trigger, Left	106	Forend
31	Connector Spring	69	Trigger Spring and Pin	107	Stock
32	Spring Screw	70	Trigger Spring Screw	108	Buttplate
33	Safety Actuator	71	Right Trigger Bar	109	Buttplate Screws
34	Actuator Screw	72	Set-Trigger Lever	110	Grip Cap
35	Top Lever Spring	73	Trigger Lever Spring	111	Grip Cap Screw
36	Top Lever Screw	74	Trigger Lever Pin	112	Stock Bolt
37	Top Lever	75	Set-Trigger Spring	113	Stock Bolt Washer
38	Crossbolt Actuator	76	Spring Screw	114	Sling Loop Assembly

Model SR 20 Bolt-Action Rifle



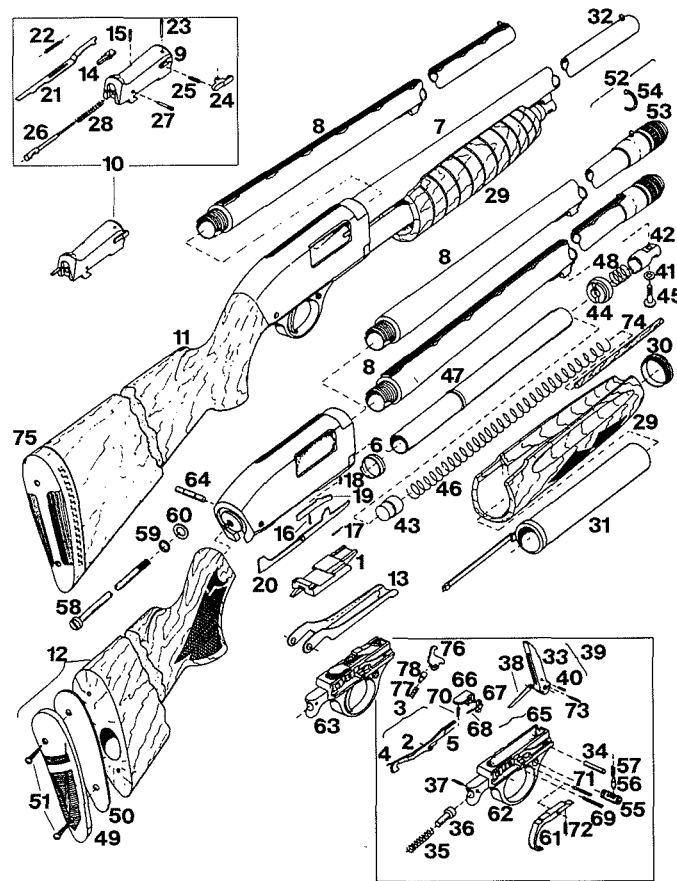
1	Barrel	21	Ejector	41	Single-Set Trigger Assembly
2	Front Sight Base	22	Ejector Spring	42	Trigger Guard Unit
3	Front Sight	23	Ejector Pin	43	Magazine Housing
4	Sight Screw	24	Bolt End Piece	44	Magazine Follower
5	Sight Spring	25	End Piece Lock	45	Magazine Spring
6	Sight Pin	26	Lock Spring	46	Magazine Floorplate
7	Sight Hood	27	Bolt Handle Lock	47	Floorplate Pin
8	Rear Sight Base	28	Bolt Handle Lock Spring	48	Floorplate Latch
9	Rear Sight	29	Bolt Handle Lock Pin	49	Latch Spring
10	Sight Base Screw	30	Striker	50	Latch Pin
11	Receiver	31	Striker Spring	51	Stock
12	Front Guard Screw	32	Connector	52	Rear Guard Screw Sleeve
13	Rear Guard Screw	33	Firing Pin	53	Front Guard Screw Sleeve
14	Bolt Stop Pin	34	Trigger Assembly	54	Sling Loop, Front
15	Bolt Stop	35	Trigger Assembly Pin	55	Sling Loop, Rear
16	Bolt Stop Spring	36	Trigger Assembly Screw	56	Stock End Cap
17	Bolt	37	Trigger Assembly Screw Spacers	57	End Cap Screw
18	Extractor	38	Trigger Assembly Screw Spacer	58	End Cap Nut
19	Extractor Spring	39	Double-Set Trigger Assembly	59	Front Sling Loop Nut
20	Extractor Pin	40	Double-Set Trigger Assembly Screw		

12-Gauge Slide-Action Shotgun



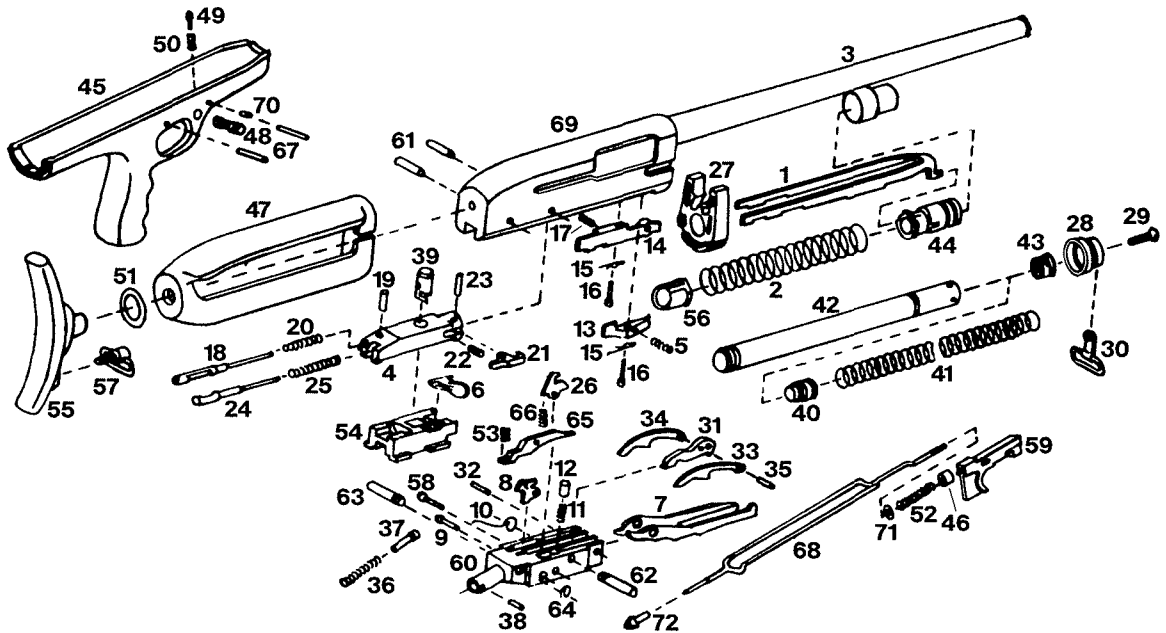
1	Action Slide	21	Extractor Spring, Right	44	Recoil Pad Screws
2	Action Slide Release Lever	22	Firing Pin	45	Safety Button, Right
3	Action Slide Release Lever Operating Pin	23	Firing Pin Retaining Pin	46	Safety Plunger
4	Action Slide Release Lever Spring	24	Firing Pin Spring	47	Safety Plunger Spring
5	Action Slide Release Lever Spring, Rear	25	Forehand Operating Handle	48	Stock
6	Action Slide Spring	26	Forehand Operating Sleeve Front Nut	49	Stock Bolt
7	Barrel	27	Forehand Operating Tube Assembly	50	Stock Bolt Lock Washer
8	Bolt	28	Front Sight	51	Stock Bolt Washer
9	Carrier Assembly	29	Hammer	52	Trigger
10	Carrier Operating Cam	30	Hammer Hinge Pin	53	Trigger Guard
11	Carrier Operating Cam Retaining Pin	31	Hammer Spring	54	Trigger Guard Assembly
12	Cartridge Stop Spring	32	Hammer Spring Guide	55	Trigger Guard Retaining Pin
13	Cartridge Stop, Left	33	Hammer Spring Retaining Pin	56	Trigger Guard Retaining Pin Spring
14	Cartridge Stop, Right	34	Hammer Strut	57	Trigger Lock
15	Cartridge Stop Pin	35	Hammer Strut Pin	58	Trigger Lock Pawl
16	Cartridge Stop Pin Retaining Clip	36	Magazine Band	59	Trigger Lock Pawl Spring
17	Ejector	37	Magazine Band Screw	60	Trigger Lock Pin
18	Ejector Spring	38	Magazine Cap	61	Trigger Lock Spring
19	Extractor, Right	39	Magazine Follower	62	Trigger Pin
20	Extractor Hinge Pin	40	Magazine Spring	63	Trigger Spring
		41	Magazine Tube	64	Wood Plug
		42	Magazine Tube Locking Screws	65	Pistol Grip Cap
		43	Recoil Pad	66	Pistol Grip Cap Screw

Flite King Slide-Action Shotgun



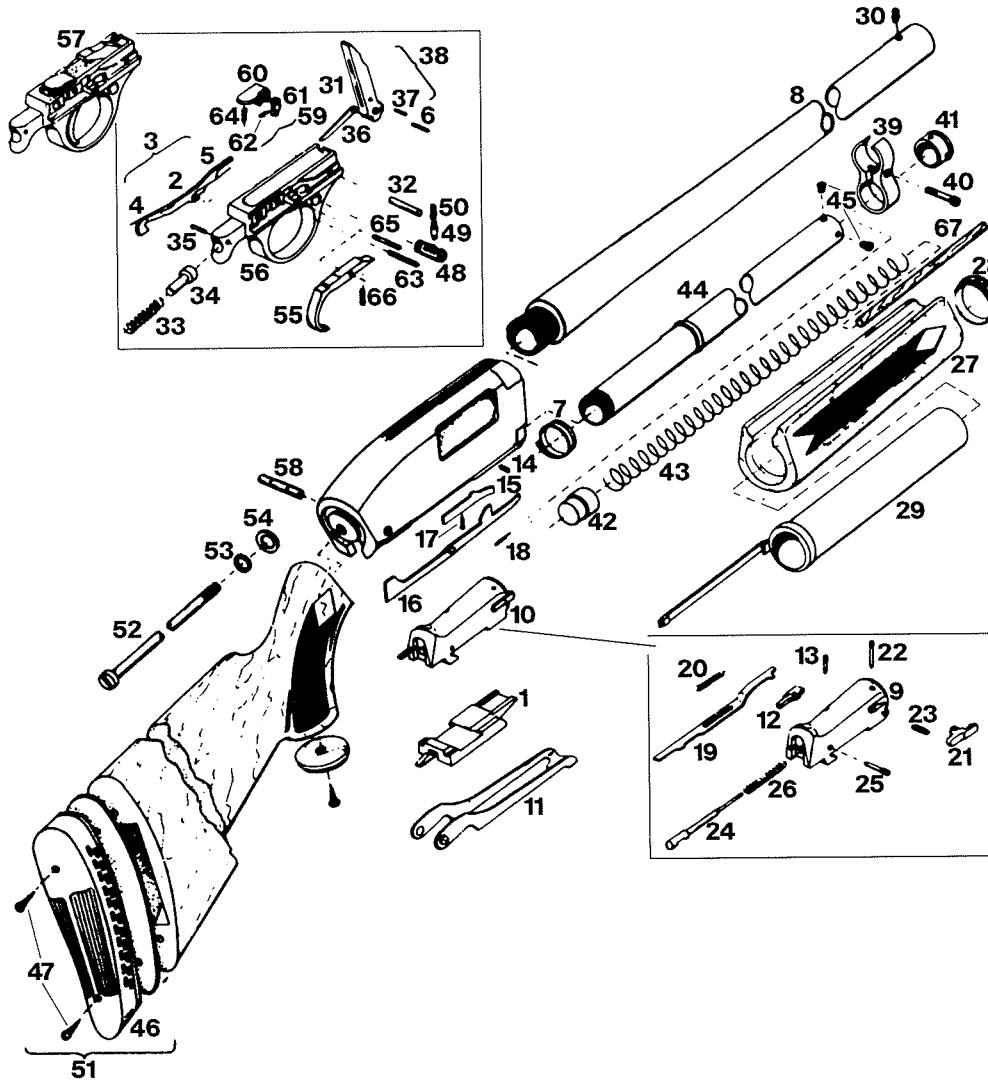
1	Slide Action	23	Extractor Hinge Pin	51	Buttplate Screws
2	Slide Action Release Lever	24	Extractor, Right	52	Choke Assembly
3	Slide Action Release Lever Assembly	25	Extractor Spring, Right	53	Choke Cap
4	Slide Action Release Lever Spring, Rear	26	Firing Pin	54	Choke Click Spring
5	Slide Action Release Lever Spring, Front	27	Firing Pin Retaining Pin	55	Safety Button
6	Slide Action Spring	28	Firing Pin Spring	56	Safety Plunger
7	Barrel	29	Forehand Operating Handle	57	Safety Plunger Spring
8	Alternate Barrel	30	Forehand Operating Sleeve	58	Stock Bolt
9	Bolt		Front Nut	59	Stock Bolt Lock Washer
10	Bolt Assembly	31	Forehand Operating Tube Assembly	60	Stock Bolt Washer
11	Stock Assembly, Plain with Recoil Pad	32	Front Sight Bead	61	Trigger
12	Stock Assembly, with Checkering, Buttplate and Trim	33	Hammer	62	Trigger Guard
13	Carrier Assembly	34	Hammer Hinge Pin	63	Trigger Guard Assembly
14	Carrier Operating Cam Retaining Pin	35	Hammer Spring	64	Trigger Guard Retaining Pin
15	Carrier Operating Cam Retaining Pin	36	Hammer Spring Guide	65	Trigger Guard Retaining Pin Spring
16	Cartridge Stop Pin	37	Hammer Spring Retaining Pin	66	Trigger Lock
17	Cartridge Stop Pin Retaining Clip	38	Hammer Strut	67	Trigger Lock Pawl
18	Cartridge Stop Spring	39	Hammer and Strut Assembly	68	Trigger Lock Pawl Spring
19	Cartridge Stop, Left	40	Hammer Strut Pin	69	Trigger Lock Pin
20	Cartridge Stop, Right	41	Magazine Cap Screw Lock Washer	70	Trigger Lock Spring
21	Extractor/Ejector	42	Magazine Cap Support	71	Trigger Pin
22	Extractor/Ejector Spring	43	Magazine Follower	72	Trigger Spring
		44	Magazine Cap	73	Slide Action Release Lever Operating Pin
		45	Magazine Cap Screw	74	Wood Plug
		46	Magazine Spring	75	Recoil Pad
		47	Magazine Tube Assembly	76	Escapement Hook
		48	Magazine Cap Spring	77	Escapement Hook Spring
		49	Buttplate	78	Escapement Hook Spring Plunger
		50	Buttplate Trim		

Model 10A Autoloading Shotgun



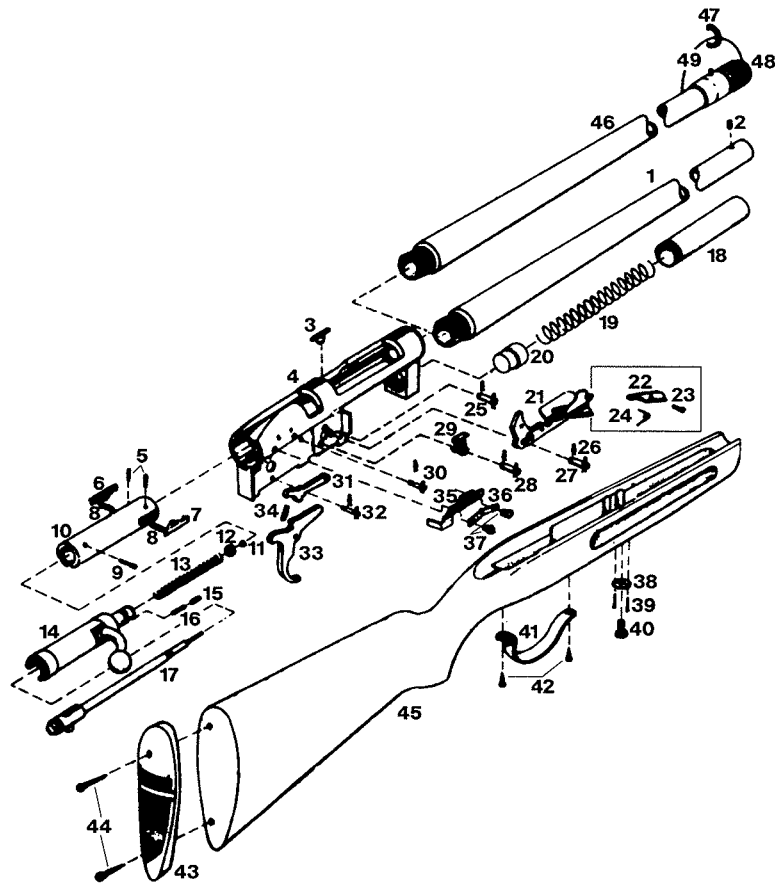
1	Action Bar	24	Firing Pin	50	Safety Spring
2	Action Spring	25	Firing Pin Retracting Spring	51	Shoulder Yoke Spring
3	Barrel and Cylinder Assembly with Front Sight Threads	26	Escapement Hook	52	Trigger Return Spring
4	Bolt	27	Housing Coupling	53	Sear Set Screw
5	Cartridge Stop Spring, Right	28	Forehand Cap	54	Slide
6	Cocking Handle	29	Forehand Cap Screw	55	Shoulder Yoke
7	Cartridge Lifter	30	Front Swivel Assembly	56	Shoulder Yoke Bolt
8	Cartridge Lifter Actuator Assembly	31	Hammer	57	Rear Swivel Assembly
9	Cartridge Lifter Actuator Hinge Pin	32	Hammer Hinge Pin	58	Rear Swivel Nut
10	Cartridge Lifter Actuator Spring	33	Hammer Strut, Right	59	Trigger
11	Cartridge Lifter Spring	34	Hammer Strut, Left	60	Guard
12	Cartridge Lifter Spring Plunger	35	Hammer Strut Pin	61	Guard Retracting Pins
13	Cartridge Stop, Right	36	Hammer Spring	62	Guard Retracting Pin
14	Cartridge Stop, Left	37	Hammer Spring Guide		Bushing, Front
15	Cartridge Stop Pin Retaining Clips	38	Hammer Spring Retracting Pin	63	Guard Retracting Pin Bushing, Rear
16	Cartridge Stop Pins	39	Locking Pin	64	Guard Retracting Pin Bushing
17	Cartridge Stop Spring, Left	40	Magazine Follower		Retracting Spring
18	Ejector	41	Magazine Spring	65	Sear
19	Firing Pin and Ejector Retracting Pin	42	Magazine Tube	66	Escapement Hook Spring
20	Ejector Retracting Spring	43	Magazine Tube Cap	67	Trigger Retracting Pins
21	Extractor, Right	44	Piston	68	Trigger Rod
22	Extractor Spring, Right	45	Pistol Grip Housing	69	Receiver
23	Extractor Hinge Pin	46	Pistol Grip Sling Pin	70	Trigger Rod Lock Nut
		47	Receiver Housing	71	Rod Washer
		48	Safety Button	72	Base Spring Plug
		49	Safety Spring Plunger		

Model 200 Slide-Action Shotgun



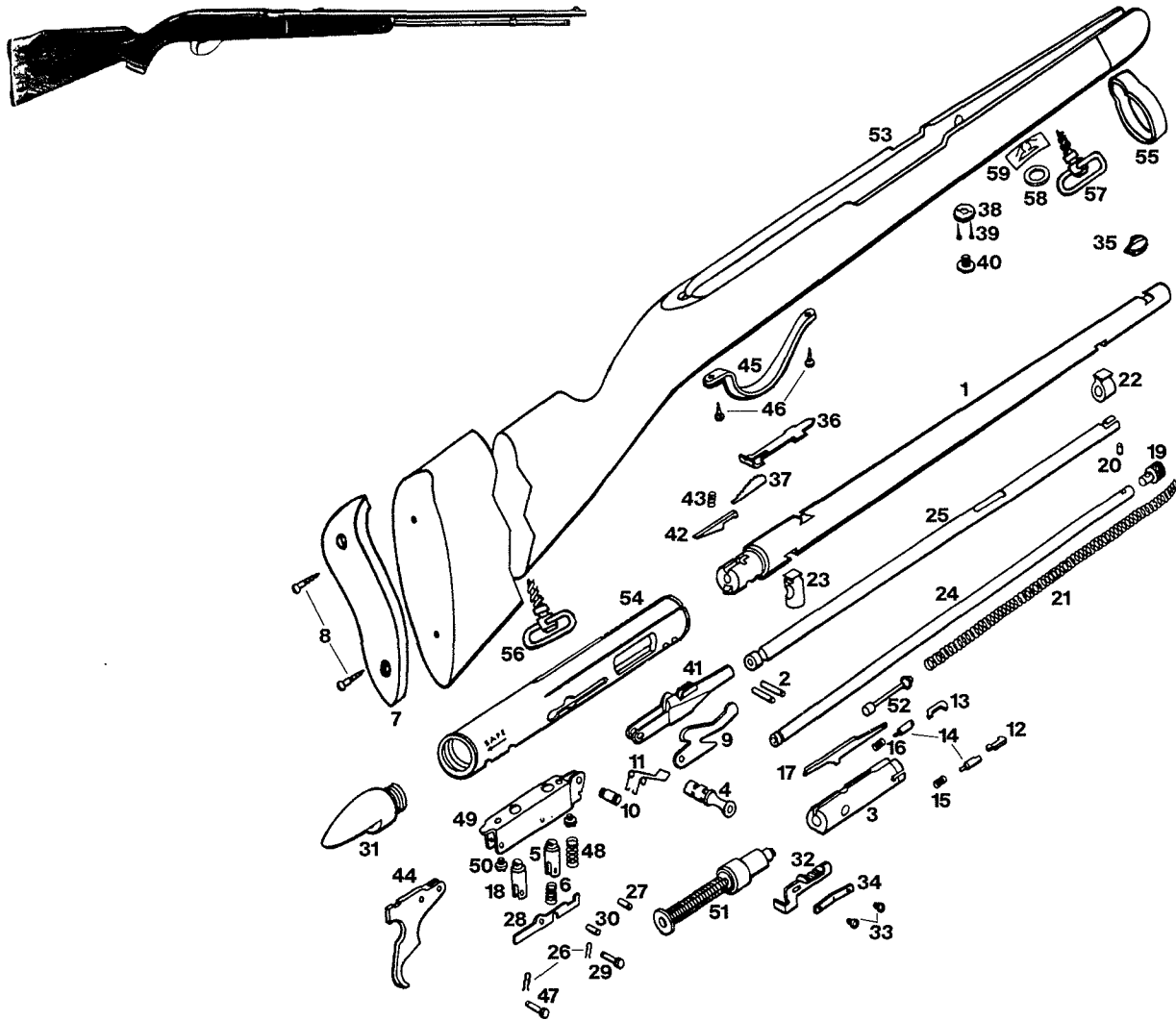
1	Slide Action	21	Extractor, Right	45	Magazine Tube Locking Screws
2	Slide Action Release Lever	22	Extractor Hinge Pin	46	Recoil Pad
3	Slide Action Release Lever Assembly	23	Extractor Spring, Right	47	Recoil Pad Screws
4	Slide Action Release Lever	24	Firing Pin	48	Safety Button
5	Slide Action Release Lever Spring, Rear	25	Firing Pin Retaining Pin	49	Safety Plunger
6	Slide Action Release Lever Spring, Front	26	Firing Pin Spring	50	Safety Plunger Spring
7	Slide Action Release Lever Operating Pin	27	Forehand Operating Handle	51	Stock Assembly
8	Slide Action Spring	28	Forehand Operating Sleeve Front Nut	52	Stock Bolt
9	Barrel	29	Forehand Operating Tube Assembly	53	Stock Bolt Lock Washer
10	Bolt	30	Front Sight	54	Stock Bolt Washer
11	Bolt Assembly	31	Hammer	55	Trigger
12	Carrier Assembly	32	Hammer Hinge Pin	56	Trigger Guard
13	Carrier Operating Cam	33	Hammer Spring	57	Trigger Guard Assembly
14	Carrier Operating Cam Retaining Pin	34	Hammer Spring Guide	58	Trigger Guard Retaining Pin
15	Cartridge Stop Spring	35	Hammer Spring Retaining Pin	59	Trigger Guard Retaining Pin Spring
16	Cartridge Stop, Left	36	Hammer Strut	60	Trigger Lock
17	Cartridge Stop, Right	37	Hammer Strut Pin	61	Trigger Lock Pawl
18	Cartridge Stop Pin	38	Hammer and Strut Assembly	62	Trigger Lock Pawl Spring
19	Cartridge Stop Pin Retaining Clip	39	Magazine Band	63	Trigger Lock Pin
20	Extractor/Ejector	40	Magazine Band Screw	64	Trigger Lock Spring
21	Extractor/Ejector Spring	41	Magazine Cap	65	Trigger Pin
		42	Magazine Follower	66	Trigger Spring
		43	Magazine Spring	67	Wood Plug
		44	Magazine Tube		

Model 514 Bolt-Action Shotgun



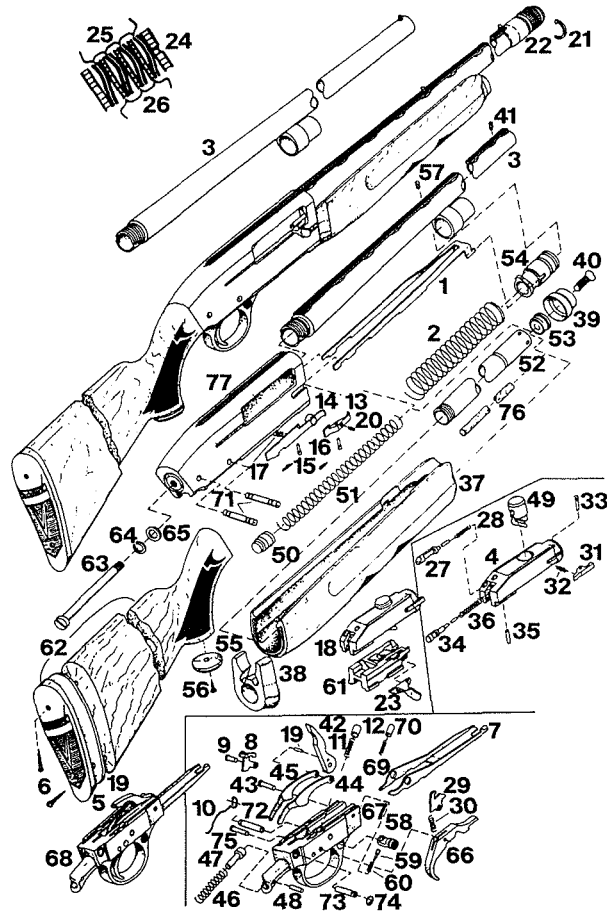
1	Barrel	25	Cartridge Lifter Stop Pin
2	Front Sight	26	Retaining Spring Pin
3	Ejector	27	Cartridge Lifter Pin
4	Receiver	28	Cartridge Lifter Spring Pin
5	Extractor Retaining Pin	29	Cartridge Lifter Spring
6	Extractor, Left	30	Sear Pin
7	Extractor, Right	31	Sear
8	Extractor Springs	32	Trigger Pin
9	Bolt Head Retaining Pin	33	Trigger
10	Bolt Head	34	Trigger Spring
11	Firing Pin Spring Retaining Sleeve Stop Ring	35	Safety
12	Firing Pin Spring Retaining Sleeve	36	Safety Spring
13	Firing Pin Spring	37	Safety Screws
14	Bolt Handle and Bolt Body Assembly	38	Takedown Escutcheon
15	Bolt Head Detent	39	Takedown Escutcheon Pins
16	Bolt Head Detent Spring	40	Takedown Screw
17	Firing Pin and Head Assembly	41	Trigger Guard
18	Magazine Tube Assembly	42	Trigger Guard Screws
19	Magazine Spring	43	Buttplate
20	Magazine Follower	44	Buttplate Screws
21	Cartridge Lifter Assembly	45	Stock Assembly
22	Cartridge Stop and Lifter	46	Barrel with Adjustable Choke Assembly
23	Cartridge Stop and Lifter Pin	47	Choke Click Spring
24	Cartridge Stop and Lifter Spring	48	Choke Cap
		49	Choke Assembly

Sport King and Higgins 25 A101 Autoloading Carbine



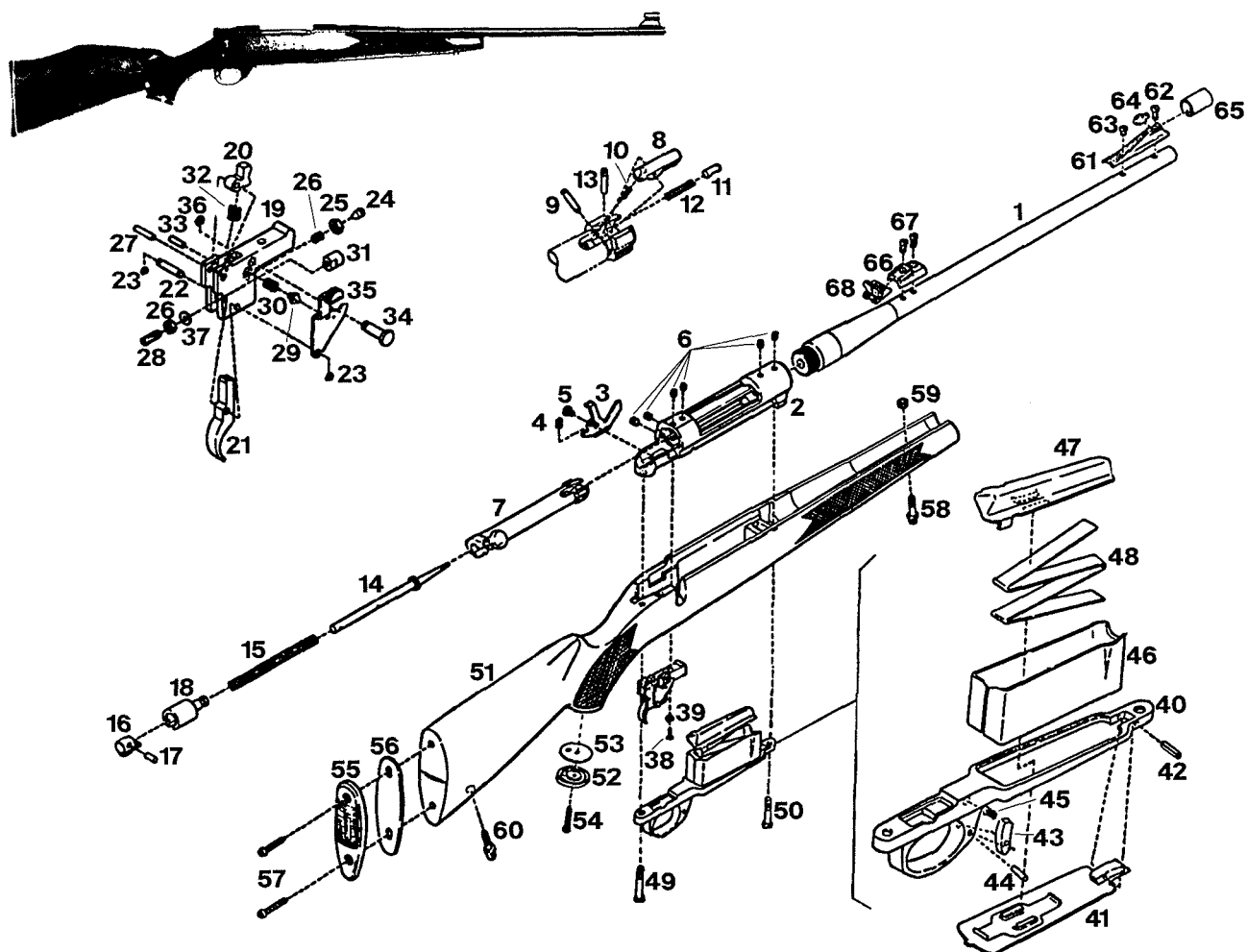
1	Barrel	21	Magazine Spring	41	Throat
2	Barrel Pins	22	Magazine Support, Front	42	Top Ramp
3	Bolt	23	Magazine Support, Rear	43	Top Ramp Spring
4	Bolt Handle	24	Magazine Tube, Inner	44	Trigger
5	Bolt Plunger	25	Magazine Tube, Outer	45	Trigger Guard
6	Bolt Plunger Spring	26	Retaining Spring Pins	46	Trigger Guard Screws
7	Buttplate	27	Plunger Assembly Pin	47	Trigger Pin
8	Buttplate Screws	28	Plunger Connector	48	Trigger Return Spring
9	Cartridge Lifter	29	Plunger Connector Pin	49	Underbody
10	Cartridge Lifter Pin	30	Plunger Connector Stop Pin	50	Underbody Screws
11	Cartridge Lifter Spring	31	Receiver Plug, Rear	51	Hammer Assembly
12	Extractor, Right	32	Safety	52	Magazine Follower Assembly
13	Extractor, Left	33	Safety Screws	53	Stock Assembly
14	Extractor Plungers	34	Safety Spring	54	Breechbolt
15	Extractor Spring, Right	35	Front Sight	55	Stock Band
16	Extractor Spring, Left	36	Rear Sight	56	Rear Swivel
17	Firing Pin	37	Rear Sight Elevator	57	Front Swivel
18	Hammer Plunger	38	Takedown Escutcheon	58	Front Swivel Washer
19	Magazine Cap	39	Takedown Escutcheon Pins	59	Front Swivel Speed Nut
20	Magazine Cap Pin	40	Takedown Screw		

Supermatic Deluxe Model C-1200 and C-1211 Autoloading Shotgun



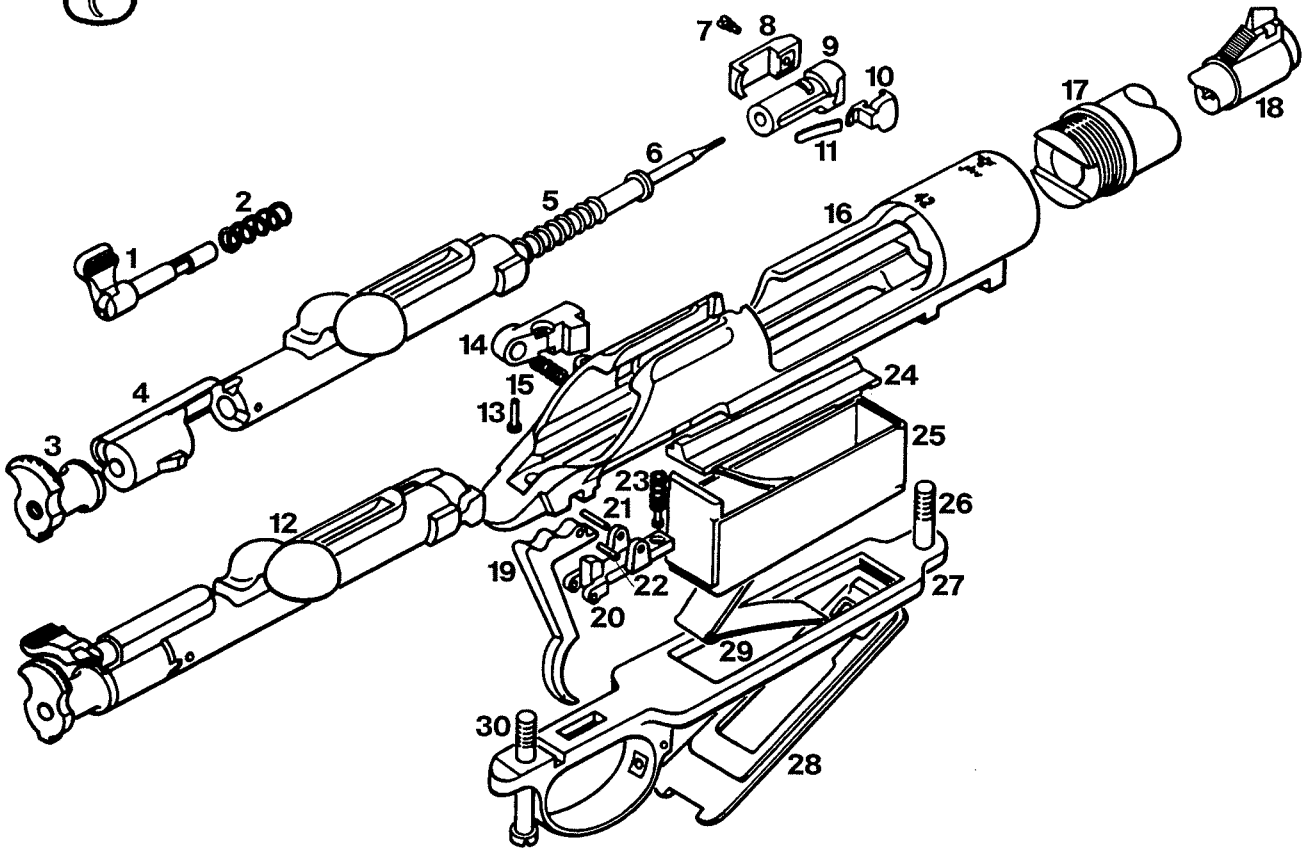
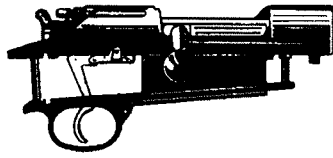
1	Action Bar	30	Escapement Hook Spring	57	Rear Sight
2	Action Spring	31	Extractor, Right	58	Safety Button
3	Barrel	32	Extractor Spring, Right	59	Safety Spring Plunger
4	Bolt	33	Extractor Pivot Pin	60	Safety Spring
5	Buttplate	34	Firing Pin	61	Slide
6	Buttplate Screws	35	Firing Pin Retracting Pin and Ejector Retracting Pin	62	Stock Assembly
7	Cartridge Lifter	36	Firing Pin Retracting Spring	63	Stock Bolt
8	Cartridge Lifter Actuator Assembly	37	Forehand Assembly	64	Stock Bolt Lock Washer
9	Cartridge Lifter Actuator Hinge Pin	38	Forehand Base	65	Stock Bolt Washer
10	Cartridge Lifter Actuator Spring	39	Forehand Cap	66	Trigger
11	Cartridge Lifter Spring	40	Forehand Cap Screw	67	Trigger Guard
12	Cartridge Lifter Spring Plunger	41	Front Sight	68	Trigger Guard Assembly
13	Cartridge Stop, Right	42	Hammer	69	Trigger Spring
14	Cartridge Stop, Left	43	Hammer Hinge Pin	70	Trigger Spring Plunger
15	Cartridge Stop Pin Retaining Clips	44	Hammer Strut, Right	71	Trigger Guard Retaining Pins
16	Cartridge Stop Pins	45	Hammer Strut, Left	72	Trigger Guard Retaining Pin
17	Cartridge Stop Spring, Left	46	Hammer Spring		Bushing, Front
18	Bolt Assembly	47	Hammer Spring Guide	73	Trigger Guard Retaining Pin
19	Buttplate Trim	48	Hammer Spring Retracting Pin		Bushing, Rear
20	Cartridge Stop Spring, Right	49	Locking Pin	74	Trigger Guard Retaining Pin
21	Choke Click Spring	50	Magazine Follower		Bushing Retaining Spring
22	Choke Cap Assembly	51	Magazine Spring	75	Trigger Hinge Pin
23	Cocking Handle	52	Magazine Tube	76	Wood Plug
24	Cylinder Nut	53	Magazine Tube Cap	77	Receiver
25	Cylinder Wavy Springs	54	Piston		Parts Not Shown
26	Cylinder Spacer Washers	55	Pistol Grip Cap		Choke Cap
27	Ejector	56	Pistol Grip Cap Screw		Cylinder Washer
28	Ejector Retracting Spring				Hammer Strut Pin
29	Escapement Hook				

Series 1500 Bolt-Action Rifle



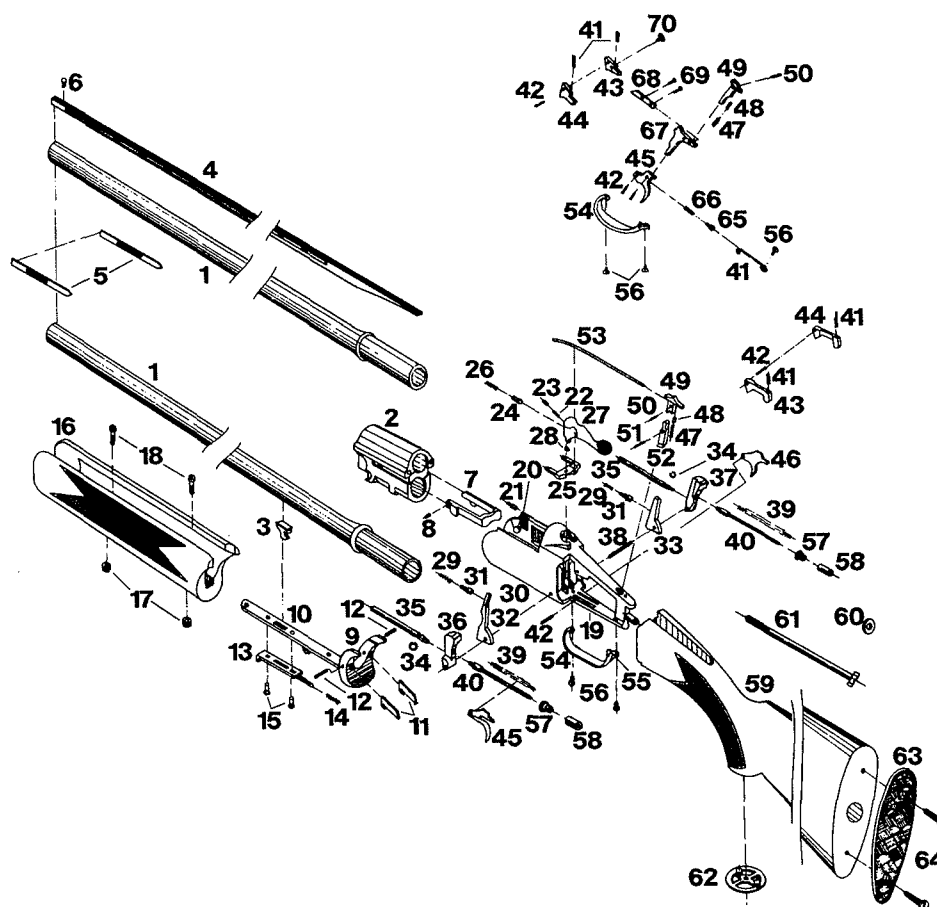
1	Barrel	24	Trigger Adjusting Screw, Front	47	Magazine Follower
2	Receiver	25	Trigger Spring	48	Magazine Spring
3	Bolt Stop	26	Lock Nut	49	Rear Guard Screw
4	Bolt Stop Spring	27	Sear Pin	50	Front Guard Screw
5	Bolt Stop Screw	28	Trigger Adjusting Screw, Rear	51	Stock Body
6	Receiver Plug Screw	29	Safety Plunger	52	Grip Cap
7	Bolt Body	30	Safety Plunger Spring	53	Grip Cap White Spacer
8	Extractor	31	Block	54	Grip Cap Screw
9	Extractor Pin	32	Sear Spring	55	Buttplate
10	Extractor Spring	33	Sear Stop Pin	56	Buttplate White Spacer
11	Ejector	34	Safety Guide Pin	57	Buttplate Screws
12	Ejector Spring	35	Safety	58	Front Swivel Screw
13	Ejector Pin	36	Retaining Ring Safety Guide Pin	59	Front Swivel Nut
14	Firing Pin	37	Washer	60	Rear Swivel Screw
15	Mainspring	38	Trigger Housing Screw	61	Front Sight Ramp
16	Cocking Piece	39	Star Washer	62	Front Sight Screw, Long
17	Firing Pin Retaining Pin	40	Trigger Guard	63	Front Sight Screw, Short
18	Bolt Sleeve	41	Floorplate	64	Front Sight
19	Trigger Housing	42	Floorplate Pin	65	Front Sight Hood
20	Sear	43	Floorplate Catch	66	Rear Sight Base
21	Trigger	44	Floorplate Catch Pin	67	Rear Sight Base Screws
22	Trigger Pin	45	Floorplate Catch Spring	68	Rear Sight
23	Retaining Ring Trigger Pin	46	Magazine		

Model 98/40 Bolt-Action Rifle



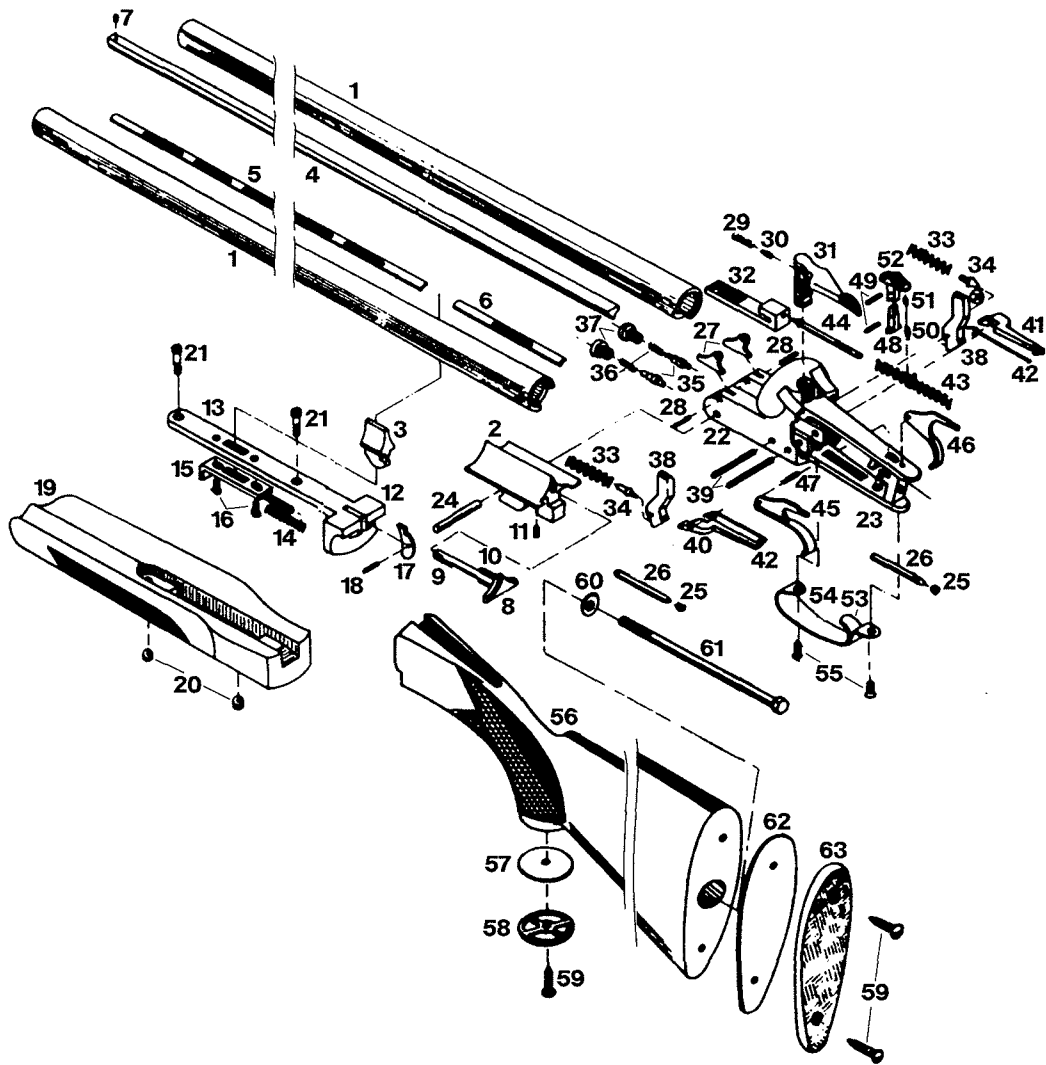
1	Safety	16	Receiver
2	Safety Spring	17	Barrel
3	Firing Pin Nut	18	Front Sight
4	Cocking Piece	19	Trigger
5	Firing Pin Spring	20	Sear
6	Firing Pin	21	Sear Pivot Pin
7	Ejector Screw	22	Trigger Pin
8	Ejector	23	Sear Spring and Safety Pin
9	Bolt Head	24	Magazine Follower
10	Extractor	25	Magazine Box
11	Extractor Spring	26	Front Guard Screw
12	Bolt Assembly	27	Trigger Guard
13	Bolt Stop Pin	28	Floorplate
14	Bolt Stop	29	Magazine Spring
15	Bolt Stop Spring	30	Rear Guard Screw

Over/Under Shotgun



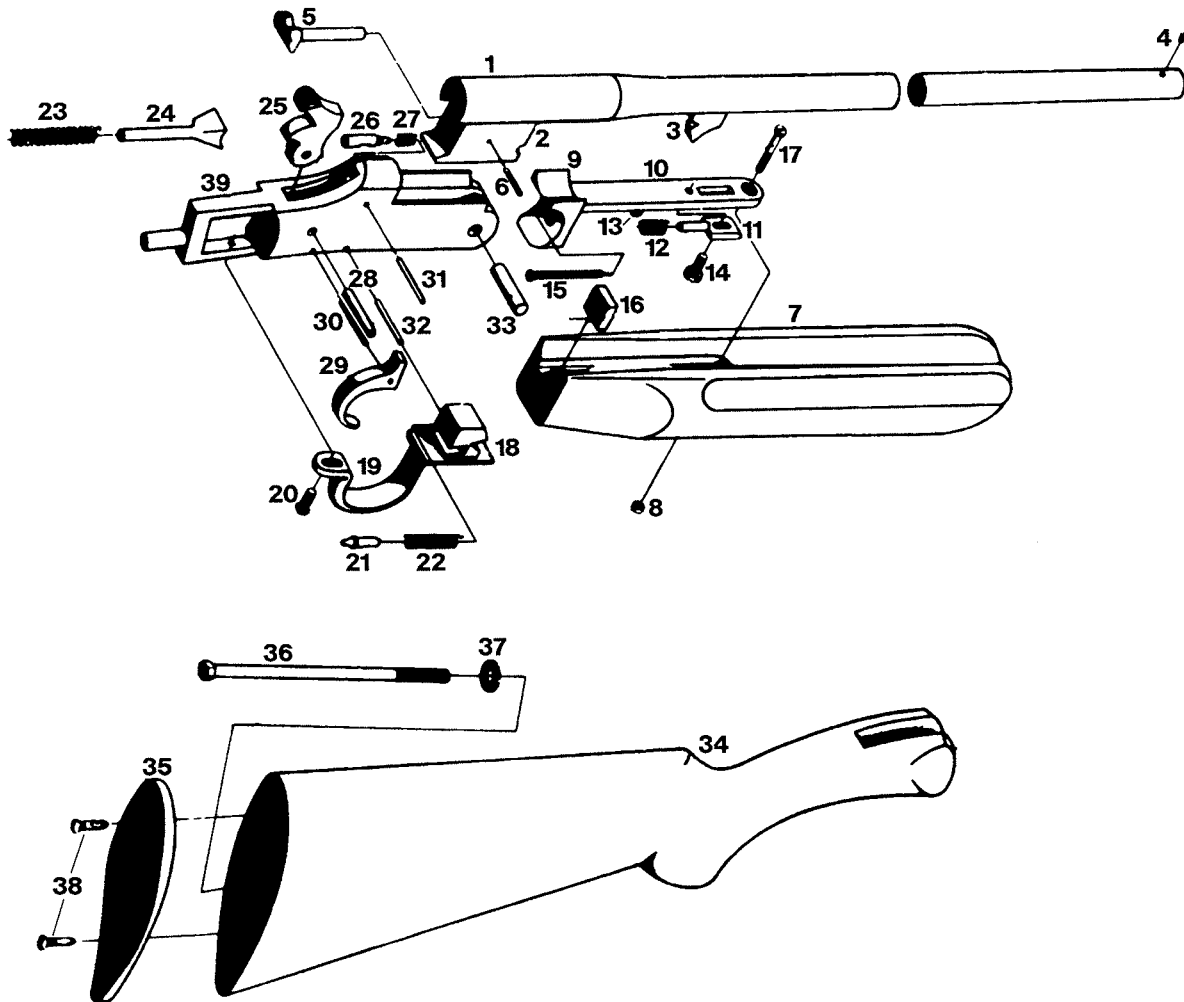
1	Barrels	25	Lock Fastener	49	Safety Catch
2	Monobloc	26	Lever Impeller Spring	50	Safety Catch Pin
3	Forend Iron Catch	27	Top Lever	51	Safety Catch Lever Pin
4	Top Ventilated Rib	28	Retainer Pin	52	Safety Catch Lever
5	Side Ventilated Rib	29	Firing Pin Springs	53	Safety Impeller
6	Front Sight	30	Frame	54	Trigger Guard
7	Extractor	31	Firing Pins	55	Trigger Guard Internal Arch
8	Limited Screw	32	Top Firing Pin Plunger	56	Trigger Guard Screws
9	Forend Iron Assembly	33	Bottom Firing Pin Plunger	57	Hammer Activator Guide
10	Forend Bar	34	Locking Lever Rings	58	Limiter Nut
11	Ejector Levers	35	Cocking Levers	59	Buttstock
12	Ejector Lever Pins	36	Hammer, Left	60	Washer
13	Forend Lock	37	Hammer, Right	61	Buttscrew
14	Forend Lock Spring	38	Hammer Pin	62	Grip Cap
15	Forend Lock Screws	39	Hammer Springs	63	Buttplate
16	Forend Wood	40	Hammer Spring Guides	64	Buttplate Screws
17	External Fastening Nuts	41	Sear Springs	65	Selective Mechanism Block Pin
18	Forend Iron Screws	42	Sear and Trigger Pins	66	Selective Mechanism Block Spring
19	Tail	43	Sear, Left	67	Selective Mechanism Block
20	Trunnion Pin	44	Sear, Right	68	Sear Impulsor
21	Top Lever Release Pin	45	Trigger, Left	69	Fixing Pins
22	Top Lever Pin Spring	46	Trigger, Right	70	Pin
23	Top Lever Pin	47	Safety Spring		
24	Lever Impeller Pin	48	Safety Travel Control Pin		

Side-by-Side Shotgun



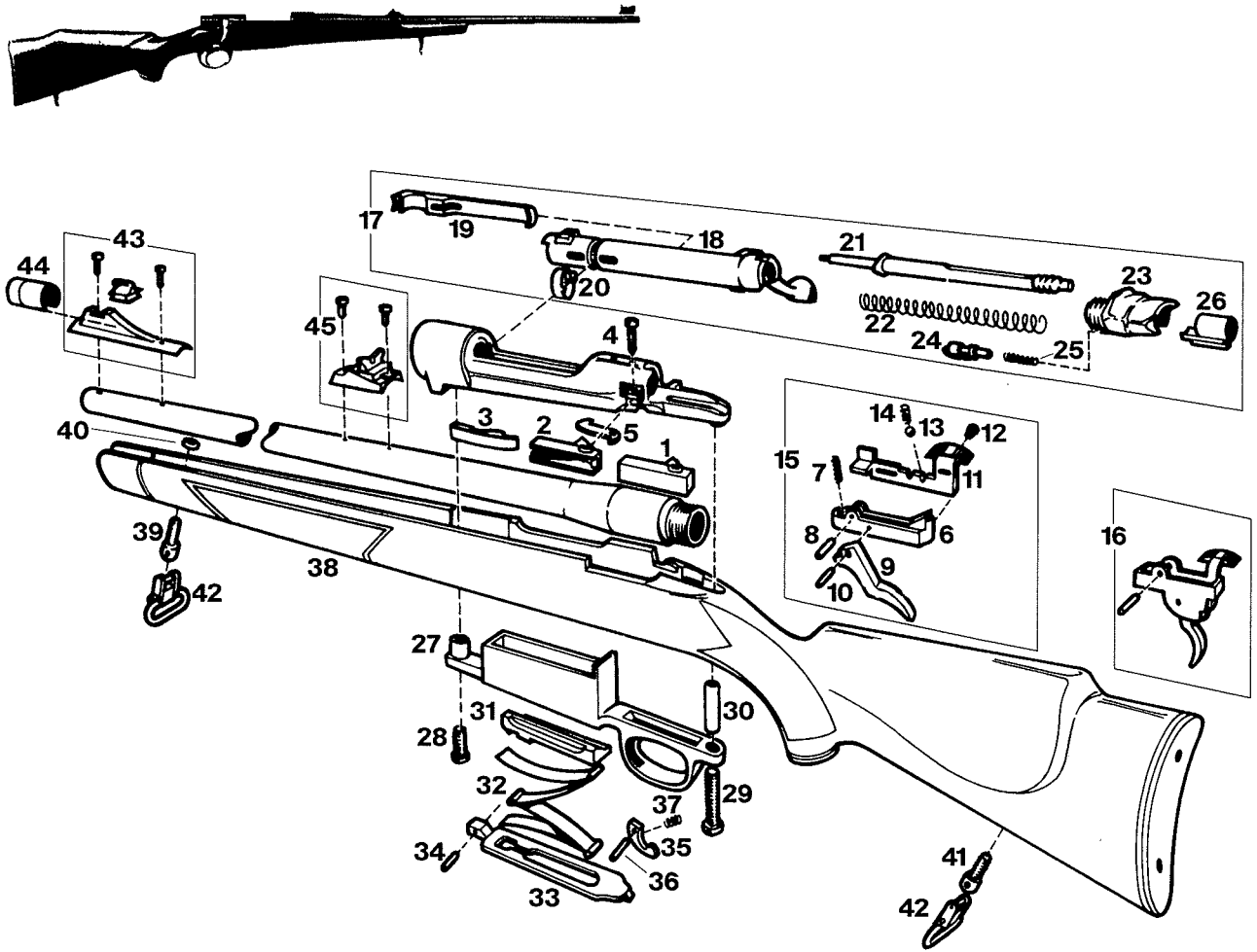
1	Barrels	22	Frame	43	Top Lever Spring
2	Latch Supporting Piece	23	Receiver	44	Top Lever Spring Guide
3	Forend Iron Catch	24	Pin	45	Trigger, Left
4	Top Ventilated Rib	25	Cocking Lever Rod Ring	46	Trigger, Right
5	Bottom Ventilated Rib, Long	26	Cocking Lever Rod	47	Trigger Pin
6	Bottom Ventilated Rib, Short	27	Cocking Levers	48	Trigger Lock Lever
7	Front Sight	28	Cocking Lever Pins	49	Trigger Lock Lever Pins
8	Extractor	29	Lever Lock Spring	50	Trigger Lock Spring
9	Extractor Pin	30	Lever Lock Pin	51	Trigger Lock Ball Pin
10	Guide Pin	31	Top Lever	52	Trigger Lock
11	Limiter Screw	32	Latch Lock	53	Trigger Guard Arch
12	Forend Iron	33	Hammer Impeller Springs	54	Trigger Guard
13	Forend Bar	34	Hammer Impellers	55	Trigger Guard Screws
14	Forend Iron Spring	35	Firing Pins	56	Stock
15	Forend Lock	36	Firing Pin Springs	57	Pistol Grip Cap Spacer
16	Forend Fastening Screws	37	Firing Pin Fixing Bolts	58	Grip Cap
17	Actuator Extractor	38	Hammers	59	Screws
18	Actuator Extractor Pin	39	Hammer Pins	60	Buttscrew Washer
19	Forend	40	Sear, Left	61	Buttscrew
20	Forend Fastening Nuts	41	Sear, Right	62	Buttplate Trim
21	Forend Lock Screws	42	Sear Springs	63	Buttplate

Single Barrel Shotgun



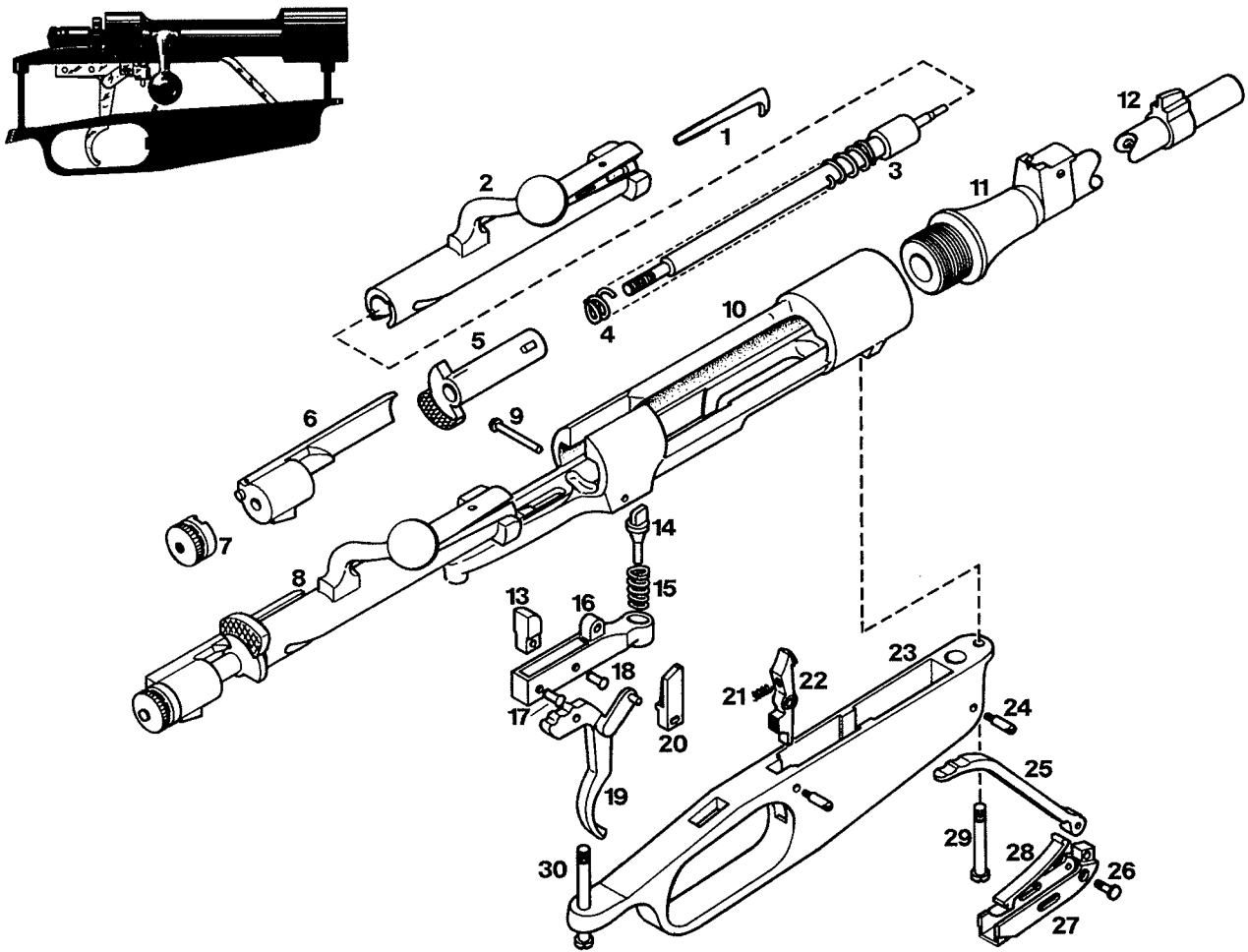
1	Barrel	14	Forend Retainer Pin Screw	27	Firing Pin Spring
2	Barrel Latch	15	Forend Iron Screw	28	Hammer Pin
3	Forend Iron Catch	16	Forend Nut	29	Trigger
4	Front Sight	17	Forend Rod Screw	30	Trigger Pin
5	Extractor	18	Trigger Guard and Locking Bolt	31	Firing Pin Retaining Pin
6	Extractor Pin	19	Trigger Guard Arc	32	Trigger Guard Pin
7	Forend	20	Trigger Guard Screw	33	Block Pin
8	Fixing Screw	21	Spring Guide Pin	34	Stock
9	Forend Iron	22	Spring	35	Buttplate
10	Forend Rod	23	Cocking Lever Spring	36	Stock Bolt
11	Forend Retainer Pin	24	Cocking Lever	37	Washer
12	Forend Iron Spring	25	Hammer	38	Buttplate Screws
13	Forend Iron Spring Catch	26	Firing Pin	39	Frame

Mark X Bolt-Action Rifle



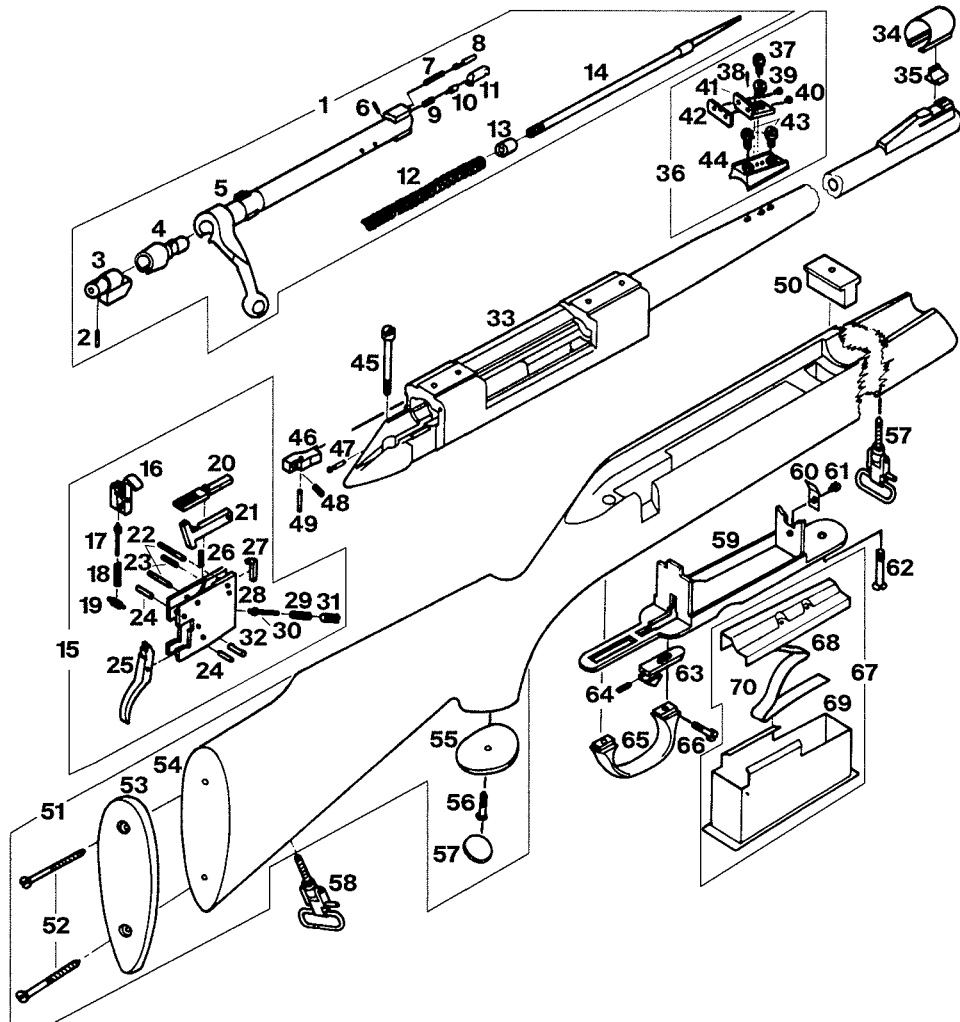
1	Bolt Stop/Ejector Assembly	24	Bolt Sleeve Lock
2	Bolt Stop	25	Bolt Sleeve Lock Spring
3	Bolt Stop Spring	26	Cocking Piece
4	Bolt Stop Screw	27	Trigger Guard Assembly
5	Ejector	28	Front Guard Screw
6	Sear	29	Rear Guard Screw
7	Sear Spring	30	Bushing
8	Sear Pin	31	Follower
9	Trigger	32	Follower Spring
10	Trigger Pin	33	Floorplate
11	Safety	34	Floorplate Pin
12	Safety Screw	35	Floorplate Latch
13	Safety Detent	36	Floorplate Latch Pin
14	Safety Detent Spring	37	Latch Spring
15	Standard Trigger Assembly	38	Stock
16	Adjustable Trigger Assembly	39	Front Swivel Screw
17	Bolt Assembly	40	Front Swivel Screw Nut
18	Bolt Body	41	Rear Swivel Screw
19	Extractor	42	Detachable Sling Swivels
20	Extractor Collar	43	Front Sight Assembly
21	Firing Pin	44	Front Sight Hood
22	Firing Pin Spring	45	Rear Sight Assembly
23	Bolt Sleeve		

1891 Bolt-Action Rifle



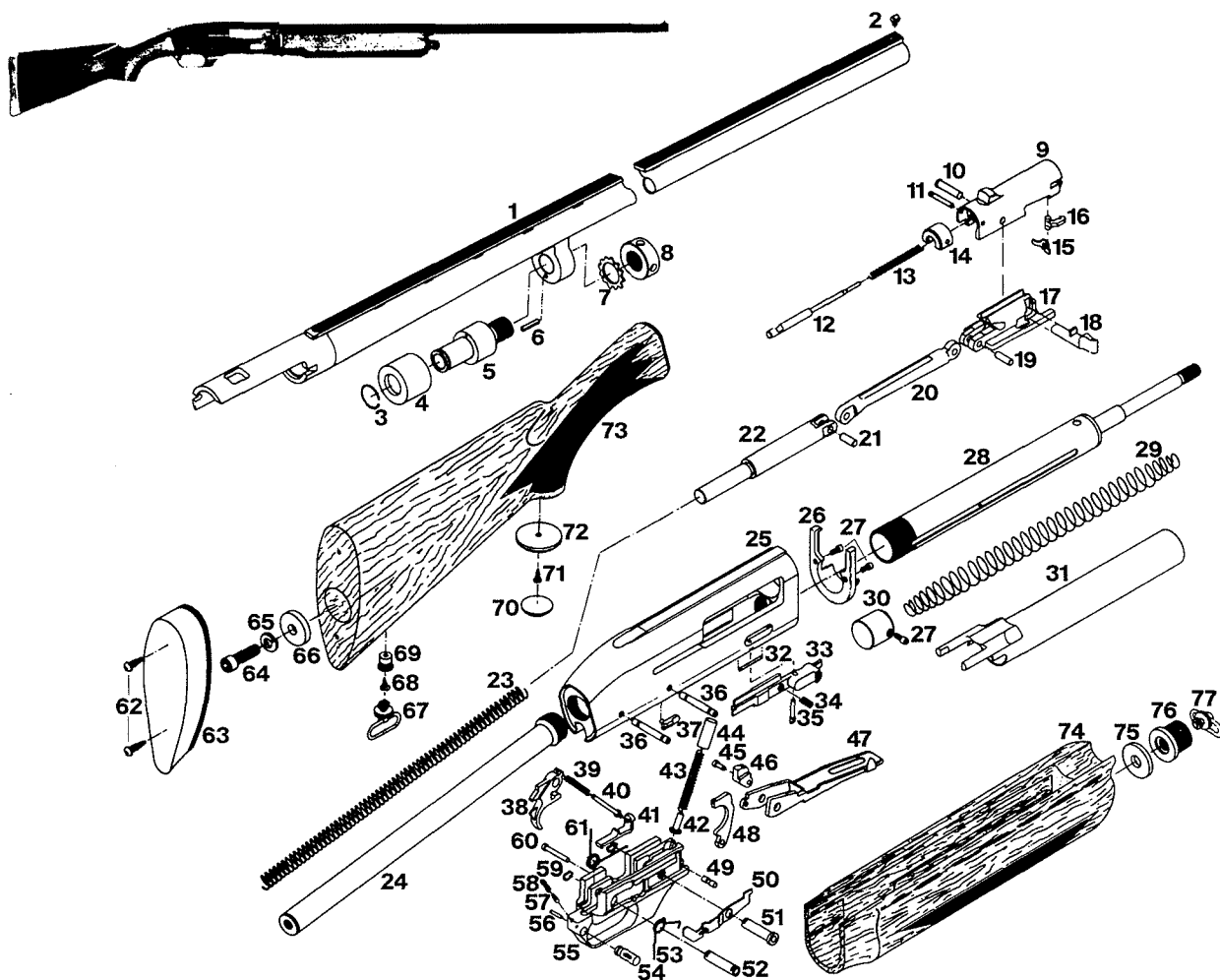
1	Extractor	16	Sear Housing
2	Bolt Body	17	Sear Retaining Pin
3	Firing Pin	18	Trigger Pin
4	Firing Pin Spring	19	Trigger
5	Safety	20	Bolt Stop
6	Cocking Piece	21	Clip Latch Spring
7	Cocking Piece Nut	22	Clip Latch
8	Bolt Assembly	23	Trigger Guard
9	Sear Pin	24	Housing Retainer Screw
10	Receiver	25	Cartridge Follower
11	Barrel	26	Follower Hinge Pin
12	Front Sight	27	Follower Housing
13	Sear	28	Follower Spring
14	Ejector	29	Front Guard Screw
15	Sear Spring	30	Rear Guard Screw

LSA-65 Bolt-Action Rifle



1	Breechbolt Assembly	23	Sear Pin	47	Detaching Pin
2	Firing Pin Nut Pin	24	Thumb Safety Pins	48	Bolt Stop Spring
3	Firing Pin Nut	25	Trigger	49	Bolt Stop Pin
4	Breechbolt Sleeve	26	Sear Spring	50	Recoil Shoulder
5	Bolt Body	27	Safety Bar	51	Stock Assembly
6	Ejector Retainer Pin	28	Trigger Housing	52	Buttplate Screws
7	Ejector Spring	29	Trigger Spring	53	Buttplate
8	Ejector	30	Trigger Spring Plunger	54	Stock
9	Extractor Spring	31	Trigger Adjusting Screw	55	Pistol Grip Cap
10	Extractor Spring Plunger	32	Trigger Adjusting Pin	56	Grip Cap Screw
11	Extractor	33	Barreled Receiver	57	Grip Cap Screw Cap
12	Firing Pin Spring	34	Front Sight Hood	58	Swivel Assembly
13	Firing Pin Collar	35	Front Sight	59	Floorplate
14	Firing Pin	36	Rear Sight Assembly	60	Magazine Support Spring
15	Trigger Assembly	37	Rear Sight Adjusting Screw	61	Magazine Support Spring Screw
16	Thumb Safety	38	Rear Sight Base Locking Pin	62	Front Stock Screw
17	Safety Spring Guide	39	Rear Sight Adjusting Screw Washer	63	Magazine Lock
18	Safety Spring	40	Rear Sight Leaf Adjusting Screws	64	Magazine Lock Spring
19	Safety Spring Support	41	Rear Sight Elevator	65	Trigger Guard
20	Safety Slide	42	Rear Sight Leaf	66	Trigger Guard Screw
21	Sear	43	Rear Sight Base Screws	67	Magazine Assembly
22	Trigger Plate Assembly	44	Rear Sight Base	68	Magazine Follower
	Attaching Pins	45	Rear Stock Screw	69	Magazine Body
		46	Bolt Stop	70	Magazine Spring

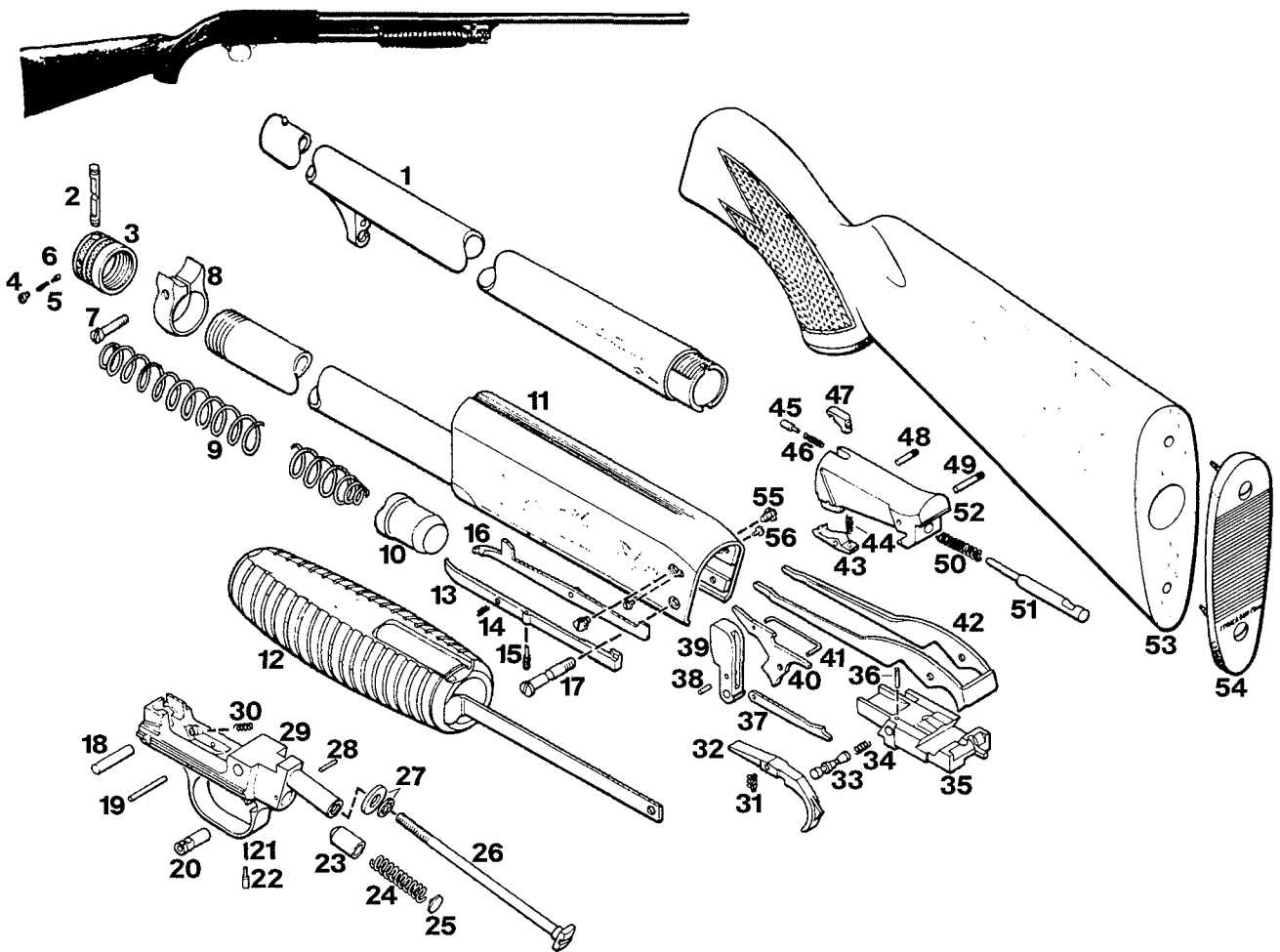
Mag 10 Autoloading Shotgun



1	Barrel Assembly	27	Collar and Magazine Cup Cap Screws	53	Lever Spring
2	Front Sight	28	Magazine Sub-Assembly	54	Safety
3	Gas Cylinder Retainer	29	Magazine Spring	55	Trigger Housing
4	Gas Cylinder	30	Magazine Cup	56	Safety Detent Pin
5	Gas Piston	31	Slide Extension Assembly	57	Safety Detent
6	Gas Piston Lug Pin	32	Shell Stop Pivot Retainer	58	Safety Spring
7	Gas Piston Lock Washer	33	Shell Stop	59	Retainer Clips
8	Gas Piston Nut	34	Shell Stop Spring	60	Trigger Bar Pin
9	Bolt Body	35	Shell Stop Pivot	61	Carrier Spring
10	Cam Pin	36	Trigger Housing Retainer Pins	62	Recoil Pad Screws
11	Firing Pin Retainer	37	Ejector	63	Recoil Pad
12	Firing Pin	38	Trigger	64	Stock Bolt
13	Firing Pin Spring	39	Trigger Spring	65	Stock Bolt Lock Washer
14	Bolt Buffer	40	Trigger Bar Spring Guide	66	Stock Bolt Washer
15	Extractor Retainer	41	Trigger Bar	67	Stock Swivel
16	Extractor	42	Hammer Spring Guide	68	Swivel Screw
17	Slide	43	Hammer Spring	69	Swivel Base
18	Charging Handle	44	Hammer Spring Cap	70	Grip Cap Insert
19	Slide Pivot	45	Carrier Cam Pivot	71	Grip Cap Screw
20	Slide Link	46	Carrier Cam	72	Grip Cap Spacer
21	Plunger Pivot	47	Carrier	73	Buttstock
22	Action Spring Plunger	48	Hammer	74	Forend
23	Action Spring	49	Hammer Pivot	75	Forend Washer
24	Stock Tube Assembly	50	Release Lever	76	Forend Nut
25	Receiver	51	Carrier Pivot	77	Front Swivel
26	Receiver Collar	52	Trigger Pivot		

Model 37 Featherweight Slide-Action Shotgun

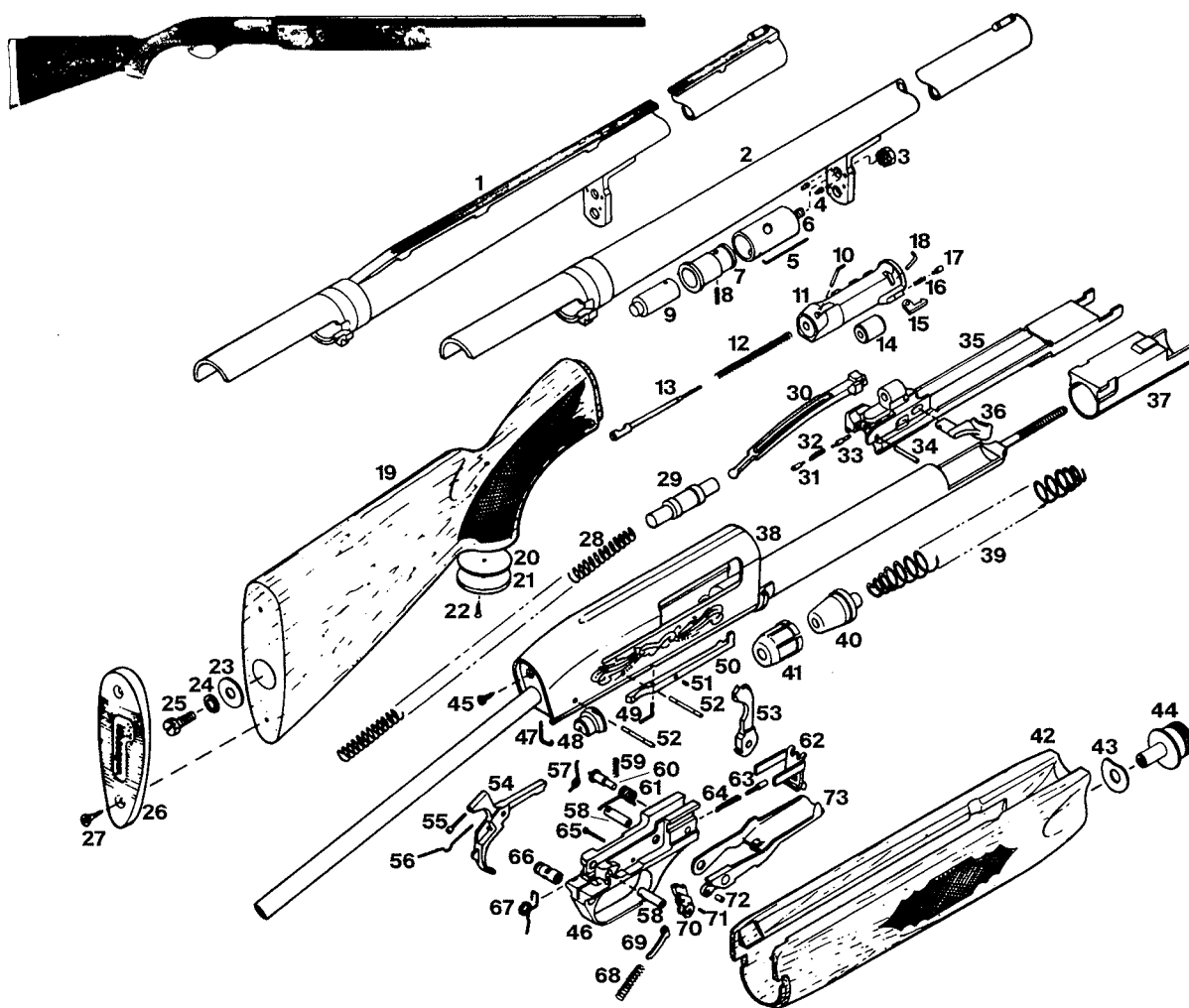
Courtesy of Blacksmith Corporation



1	Barrel	18	Hammer Pin	38	Hammer Bar Pin
2	Magazine Nut Pin*	19	Trigger Pin	39	Hammer
3	Magazine Nut	20	Safety	40	Slide Stop
4	Magazine Nut Pin Retainer	21	Safety Catch Spring	41	Slide Stop Release Spring, Top
5	Magazine Nut Pin Catch Spring*	22	Safety Catch	42	Carrier
6	Magazine Nut Pin Retainer	23	Mainspring Cup	43	Bottom Extractor
7	Yoke Screw	24	Mainspring	44	Bottom Extractor Spring
8	Yoke	25	Mainspring Cap	45	Positive Extractor Spring Cap
9	Magazine Spring	26	Stock Bolt	46	Positive Extractor Spring
10	Magazine Spring Cup	27	Stock Washers	47	Positive Extractor, Top
11	Receiver and Magazine Tube Assembly	28	Mainspring Stop Pin	48	Extractor Hinge Pin, Bottom
12	Slide Handle Assembly	29	Trigger Housing	49	Firing Pin Retainer Pin
13	Spring Shell Stop, Left	30	Slide Stop Spring, Bottom	50	Firing Pin Spring
14	Spring Shell Stop Spring	31	Trigger Spring	51	Firing Pin
15	Spring Shell Stop Screw	32	Trigger	52	Breechblock
16	Positive Shell Stop, Right	33	Slide Pin	53	Stock
17	Trigger Plate Screw	34	Slide Pin Spring	54	Buttplate and Screws
		35	Slide	55	Carrier Screws
		36	Slide Pin Retainer Pin	56	Carrier Screw Lock Screws
		37	Hammer Bar		

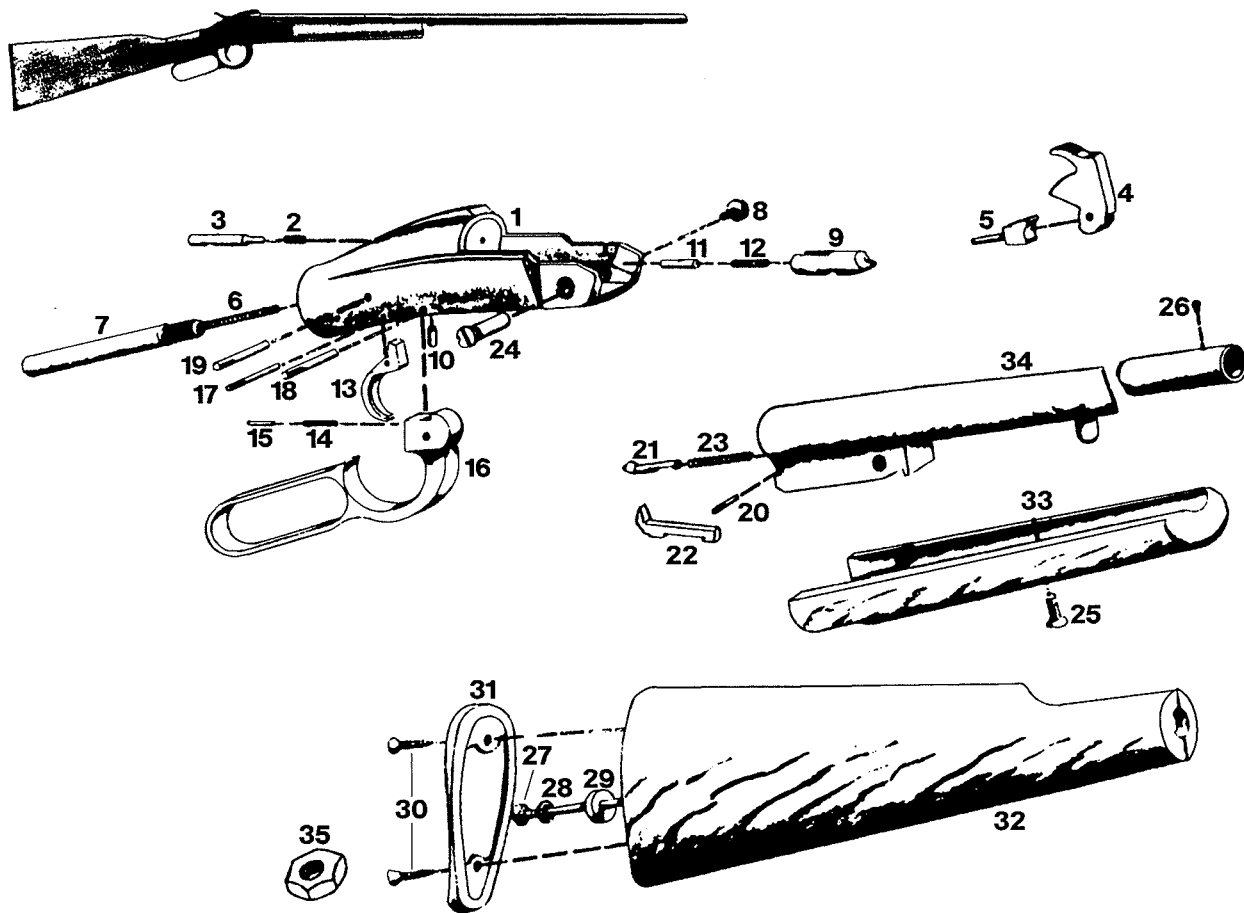
*Not used in guns made after 1954.

Model 51 Featherlight Autoloading Shotgun



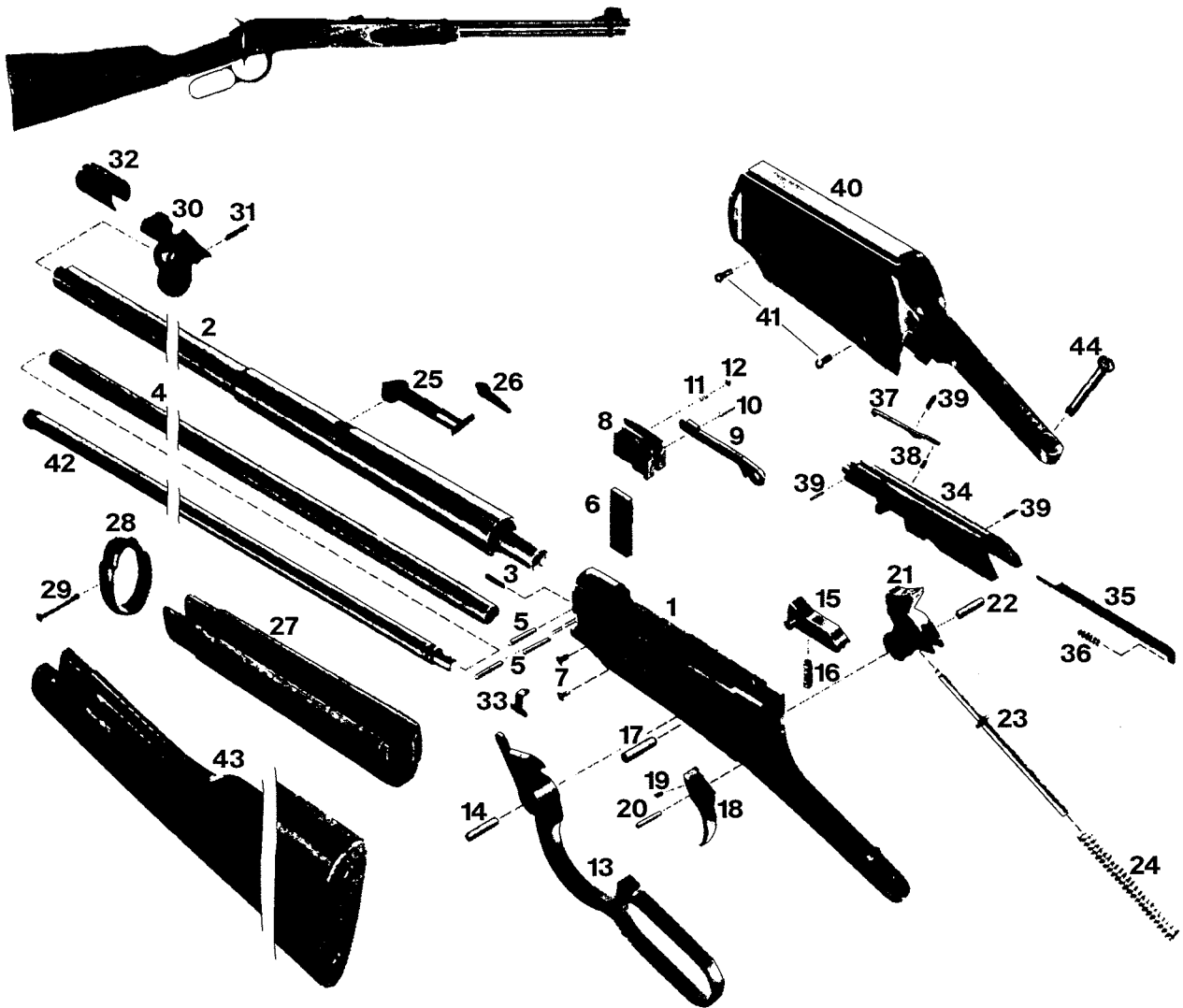
1	Barrel, Ventilated Rib	26	Buttplate	51	Cartridge Stop Spring
2	Barrel, Plain	27	Buttplate Screws	52	Trigger Guard Pins
3	Gas Cylinder Nut	28	Action Spring	53	Hammer
4	Gas Cylinder Lug Pins	29	Action Spring Plunger	54	Trigger
5	Gas Piston Retainer	30	Link	55	Disconnecter Plunger
6	Gas Cylinder	31	Link Plunger	56	Carrier Pivot Retainer Spring
7	Gas Piston	32	Charging Handle and Link Spring	57	Disconnecter Spring
8	Gas Piston Pin	33	Charging Handle Plunger	58	Safety Spring and Carrier Pivots
9	Gas Piston Buffer	34	Link Pivot Pin	59	Trigger Spring
10	Firing Pin Retainer	35	Slide Action Assembly	60	Hammer Pivot
11	Bolt	36	Charging Handle	61	Hammer Spring
12	Firing Pin Spring	37	Rail Extension Tube	62	Carrier Release
13	Firing Pin	38	Receiver	63	Carrier Release Plunger
14	Bolt Buffer	39	Magazine Spring	64	Carrier Release Spring
15	Extractor	40	Inner Magazine Cup	65	Trigger Pivot Pin
16	Extractor Spring	41	Outer Magazine Cup	66	Safety
17	Extractor Plunger	42	Forend	67	Safety Spring
18	Extractor Pivot Pin	43	Forend Washer	68	Carrier Spring
19	Buttstock	44	Forend Nut	69	Carrier Spring Guide
20	Grip Cap Spacer	45	Receiver Buffer Screw	70	Carrier Cam
21	Grip Cap	46	Trigger Housing	71	Carrier Spring Guide Pivot
22	Grip Cap Screw	47	Action Spring Retainer Pin	72	Carrier Cam Pin
23	Stock Bolt Washer	48	Receiver Buffer	73	Carrier
24	Stock Bolt Lock Washer	49	Cartridge Stop Pivot		
25	Stock Bolt	50	Cartridge Stop		

Model 66 Supersingle Single Shot Lever-Action Shotgun



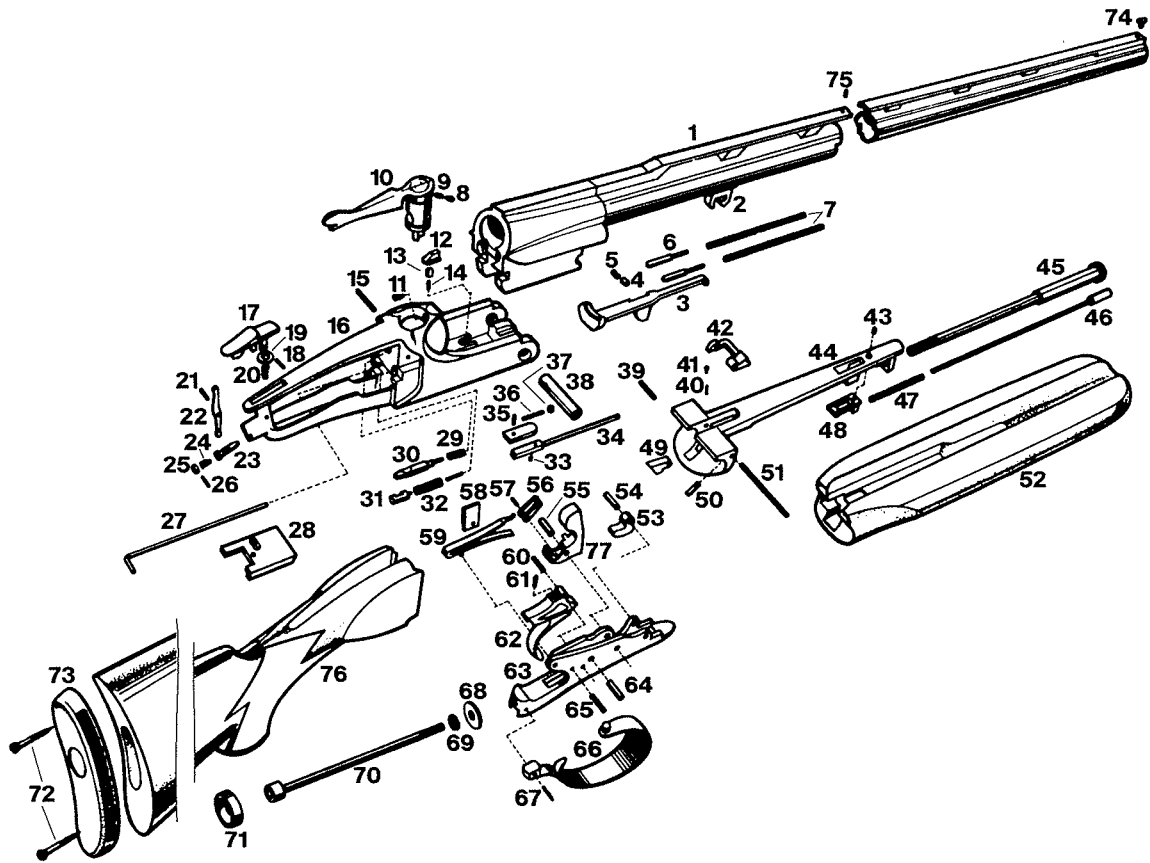
1	Receiver	19	Hammer Pin
2	Firing Pin Spring	20	Extractor Pin
3	Firing Pin	21	Extractor (Old Style, round shank)
4	Hammer	22	Extractor (New Style, square shank)
5	Rebound Cam	23	Extractor Spring
6	Hammer Spring	24	Hinge Pin
7	Stock Stud	25	Forend Screw
8	Hinge Pin Screw	26	Front Sight
9	Action Bolt	27	Stock Bolt
10	Firing Pin Retainer Pin	28	Stock Bolt Lock Washer
11	Bolt Spring Plunger	29	Stock Bolt Flat Washer
12	Bolt Spring	30	Buttplate Screws
13	Trigger	31	Buttplate
14	Lever Spring	32	Buttstock
15	Lever Spring Plunger	33	Forend
16	Lever	34	Barrel
17	Trigger Pin	35	Stock Stud Nut
18	Lever Pin		

Model 72 Lever-Action Rifle



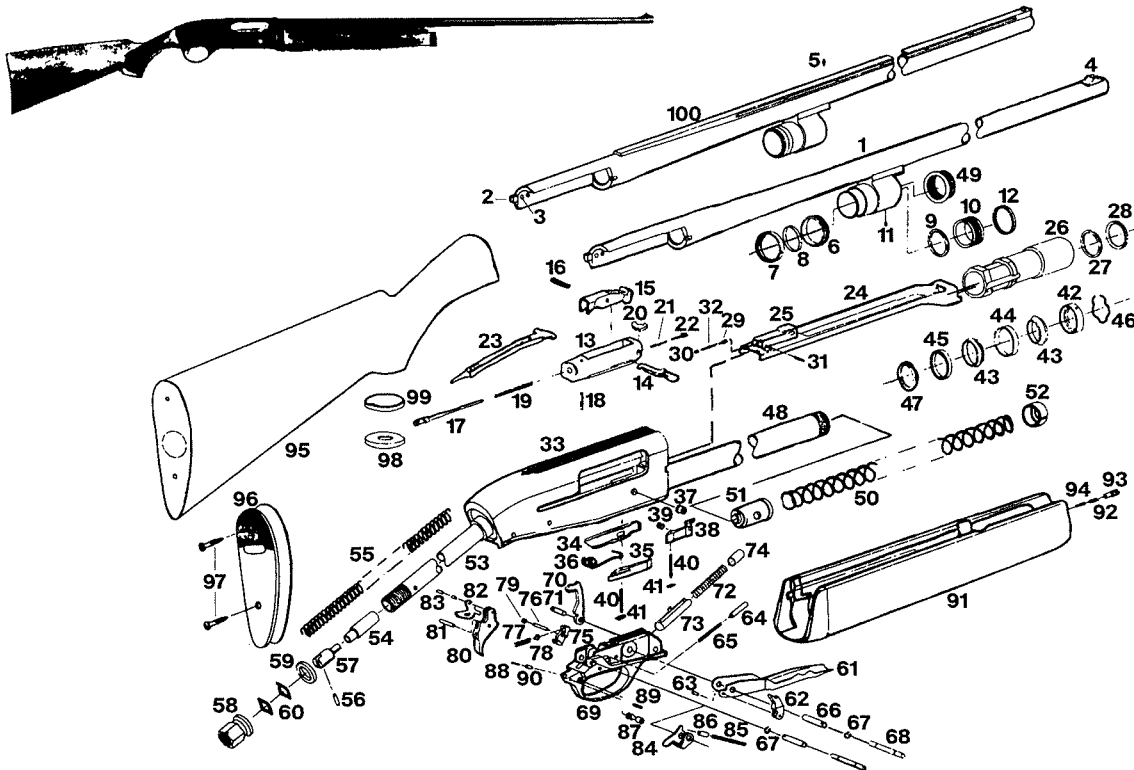
1	Frame	23	Mainspring Guide
2	Barrel	24	Mainspring
3	Barrel Alignment Pin	25	Rear Sight
4	Outer Magazine Tube	26	Rear Sight Elevator
5	Barrel Retaining Pins	27	Forend
6	Cartridge Guide	28	Rear Barrel Band
7	Cartridge Guide Screws	29	Barrel Band Screw
8	Carrier	30	Front Sight
9	Carrier Lever	31	Front Sight Pin
10	Carrier Lever Pivot Pin	32	Front Sight Hood
11	Carrier Spring	33	Ejector
12	Carrier Detent Ball	34	Breechbolt
13	Finger Lever	35	Firing Pin
14	Finger Lever Pivot Pin	36	Firing Pin Spring
15	Locking Bolt	37	Extractor
16	Locking Bolt Spring	38	Extractor Spring
17	Locking Bolt Pin	39	Extractor Pivot Pins
18	Trigger	40	Receiver
19	Trigger Spring	41	Receiver Sideplate Screws
20	Trigger Pivot Pin	42	Inner Magazine Assembly
21	Hammer	43	Buttstock
22	Hammer Pivot Pin	44	Tang Screw

Perazzi Single Barrel Trap Shotgun



1	Barrel	27	Ejector Trip Rod	53	Cocking Foot
2	Barrel Lug	28	Action Locking Bolt	54	Cocking Foot Pivot Pin
3	Ejector	29	Firing Pin Spring	55	Hammer Pivot Pin
4	Ejector Retainer	30	Firing Pin	56	Bridle
5	Ejector Retainer Spring	31	Top Lever Retainer	57	Bridle Pin
6	Ejector Spring Plungers	32	Top Lever Retainer Spring, Large	58	Hammer Spring Retainer
7	Ejector Springs	33	Cocking Rod Screw	59	Hammer Spring
8	Top Lever Trip Plunger	34	Cocking Rod	60	Trigger Pivot Pin
9	Top Lever Trip Spring	35	Cocking Rod Spring Guide Plate Pin	61	Trigger Return Spring
10	Top Lever	36	Cocking Rod Return Spring	62	Trigger/Sear
11	Top Lever Trip	37	Cocking Rod Screw Collar	63	Trigger Plate
12	Ejector Stop	38	Hinge Pin	64	Trigger Plate Pin
13	Ejector Stop Retainer	39	Cocking Cam Pin	65	Trigger Spring Pin
14	Ejector Stop Retainer Spring	40	Ejector Sear Spring	66	Trigger Guard
15	Firing Pin Retainer Pin	41	Ejector Sear Spring Plunger	67	Trigger Guard Pin
16	Frame	42	Ejector Sear	68	Stock Bolt Washer, Plain
17	Safety Button	43	Forend Retainer Screw	69	Stock Bolt Washer, Lock
18	Safety Button Retaining Pin	44	Forend Iron	70	Stock Bolt
19	Safety Button Retainer	45	Forend Push Rod Guide	71	Stock Bolt Retainer
20	Safety Button Spring	46	Forend Push Release Rod	72	Recoil Pad Screws
21	Trigger Plate Release Lever Pin	47	Forend Push Rod Spring	73	Recoil Pad
22	Trigger Plate Release Lever	48	Forend Locking Block	74	Front Sight
23	Trigger Plate Lock	49	Cocking Cam	75	Middle Sight
24	Trigger Plate Lock Spring	50	Frame Stop	76	Buttstock
25	Trigger Plate Lock Cap	51	Ejector Sear Pin	77	Hammer
26	Trigger Plate Lock Pin	52	Forend		

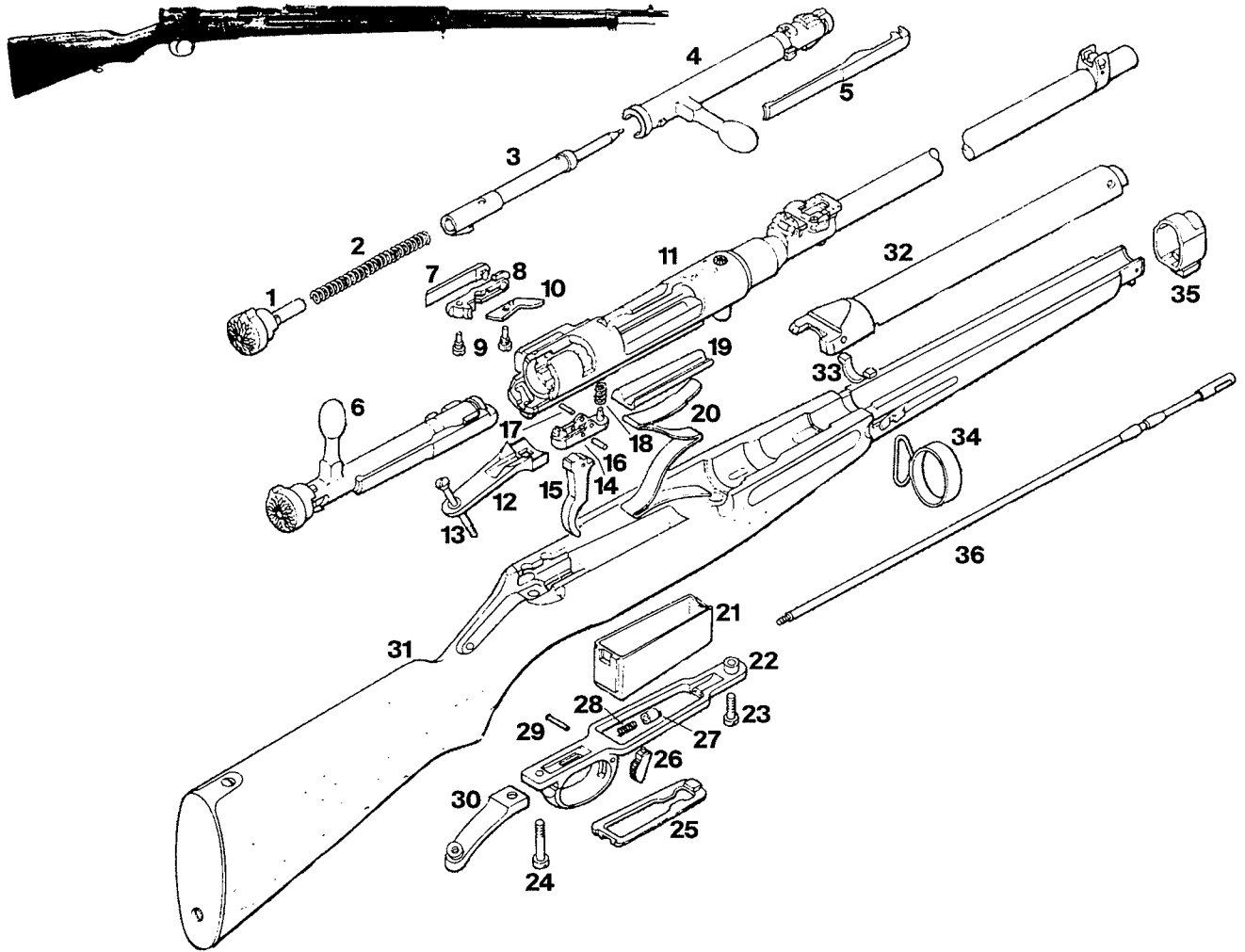
XL-300 and XL-900 Autoloading Shotgun



1	Barrel, Plain	35	Shell Latch, Right	69	Trigger Plate
2	Ejector	36	Carrier Latch Spring	70	Hammer
3	Ejector Rivet	37	Carrier Latch Button	71	Hammer Pin
4	Front Sight	38	Shell Latch, Left	72	Hammer Spring
5	Middle Sight	39	Shell Latch Spring	73	Hammer Spring Case
6	Piston Ring	40	Latch Pins	74	Hammer Spring Plunger
7	Piston Ring Retainer	41	Latch Pin Snaps	75	Sear
8	Piston Ring Spring	42	Cushion Ring Retainer	76	Sear Pin
9	Barrel Ring Packing	43	Inner Cushion Rings	77	Sear Spring
10	Barrel Ring Bushing	44	Outer Cushion Ring	78	Sear Spring Retainer
11	Barrel Bushing Retaining Screw	45	Cushion Ring Follower	79	Sear Pin Snap
12	Bushing Packing	46	Cushion Ring Spring	80	Trigger
13	Breechbolt	47	Cushion Ring Spacer	81	Trigger Pin
14	Charging Handle	48	Magazine Tube	82	Trigger Lever
15	Locking Block	49	Magazine Cap	83	Trigger Lever Pin
16	Locking Block Pin	50	Magazine Spring	84	Safety, Auto
17	Firing Pin	51	Magazine Spring Follower	85	Auto Safety Spring
18	Firing Pin Stop	52	Magazine Spring Retainer	86	Auto Safety Spring Plunger
19	Firing Pin Spring	53	Action Tube	87	Safety, Hand
20	Extractor	54	Action Spring Follower	88	Hand Safety Spring
21	Extractor Spring	55	Action Spring	89	Hand Safety Retaining Pin
22	Extractor Spring Plunger	56	Action Spring Plug Pin	90	Hand Safety Spring Plunger
23	Link	57	Action Spring Plug	91	Forend
24	Action Bar	58	Stock Bolt	92	Cap Stop Locking Pin
25	Slide Block	59	Washer	93	Cap Stop Locking Pin Cylinder
26	Action Bar Sleeve	60	Lock Washers	94	Cap Stop Locking Pin Spring
27	Cylinder Ring	61	Carrier	95	Buttstock
28	Cylinder Ring Retainer	62	Carrier Dog	96	Buttplate
29	Charging Handle Plunger	63	Carrier Dog Pin	97	Buttplate Screws
30	Slide Plunger	64	Carrier Dog Plunger	98	Pistol Grip Cap
31	Slide Plunger Pin	65	Carrier Dog Spring	99	Pistol Grip Cap Spacer
32	Slide Plunger Spring	66	Bushing Guide	100	Barrel, Ventilated Rib
33	Receiver	67	Trigger Plate Pin Snap		
34	Carrier Latch	68	Trigger Plate Pin		

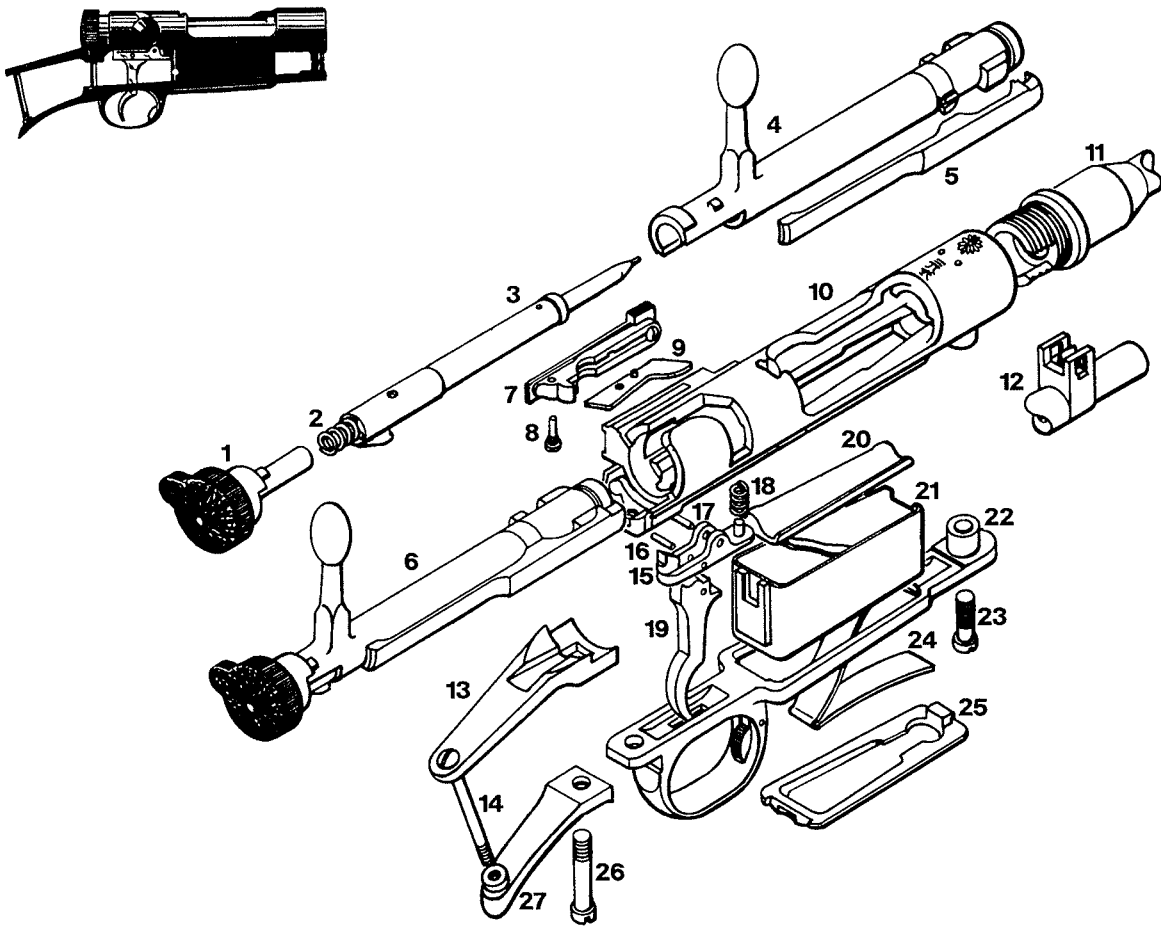
Arisaka Model 1905 Bolt-Action Carbine

Courtesy of Blacksmith Corporation



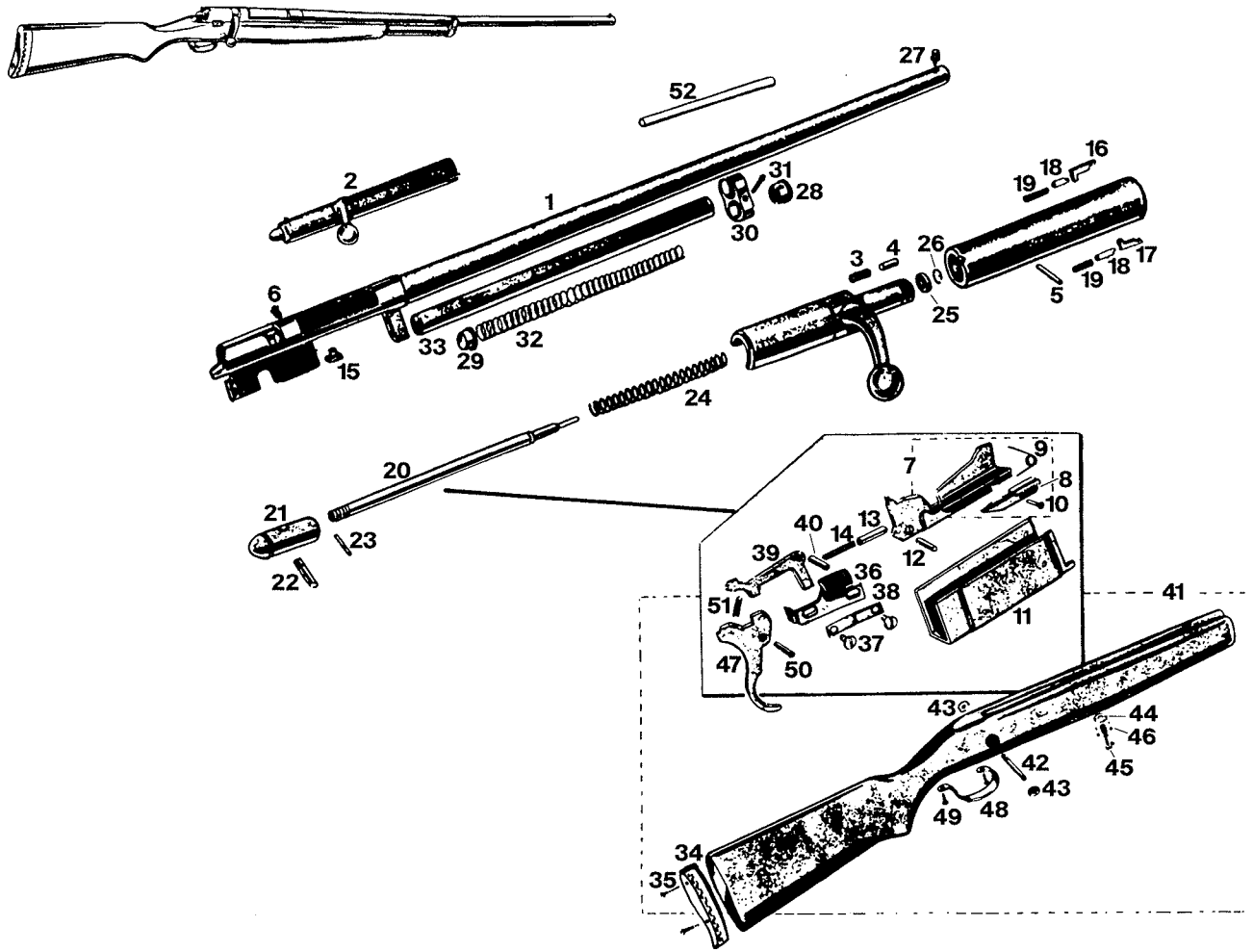
1	Safety Catch	19	Magazine Follower
2	Firing Pin Spring	20	Magazine Spring
3	Firing Pin	21	Magazine Box
4	Bolt	22	Trigger Guard
5	Extractor	23	Front Guard Screw
6	Bolt Assembly	24	Rear Guard Screw
7	Bolt Stop Spring	25	Floorplate
8	Bolt Stop	26	Floorplate Release
9	Bolt Stop and Ejector Screws	27	Floorplate Catch
10	Ejector	28	Floorplate Catch Spring
11	Carbine Receiver and Barrel	29	Floorplate Release Pin
12	Upper Tang	30	Lower Tang
13	Tang Screw	31	Carbine Stock
14	Sear	32	Upper Handguard
15	Trigger	33	Barrel Seat
16	Trigger Pin	34	Lower Band
17	Sear Pin	35	Front Band
18	Sear Spring	36	Cleaning Rod

Arisaka Type 38 Bolt-Action Rifle



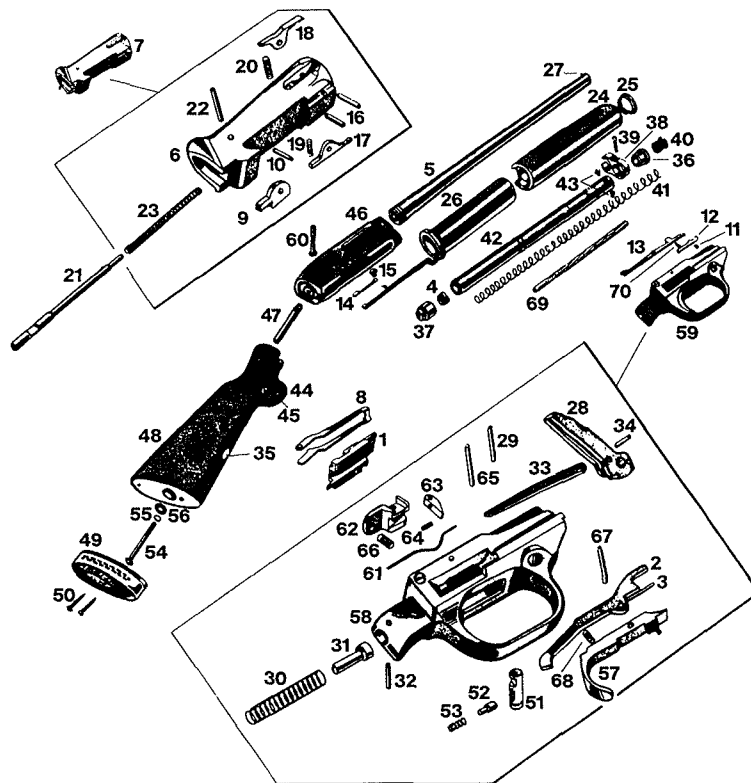
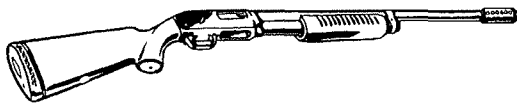
1	Safety	15	Sear
2	Firing Pin Spring	16	Trigger Pin
3	Firing Pin	17	Sear Pin
4	Bolt Body	18	Sear Spring
5	Extractor	19	Trigger
6	Bolt Assembly	20	Magazine Follower
7	Bolt Stop Assembly	21	Magazine Box
8	Bolt Stop and Ejector Screw	22	Trigger Guard
9	Ejector	23	Front Guard Screw
10	Receiver	24	Magazine Spring
11	Barrel	25	Floorplate
12	Front Sight	26	Rear Guard Screw
13	Upper Tang	27	Lower Tang
14	Tang Screw		

Model 10 Bolt-Action Shotgun



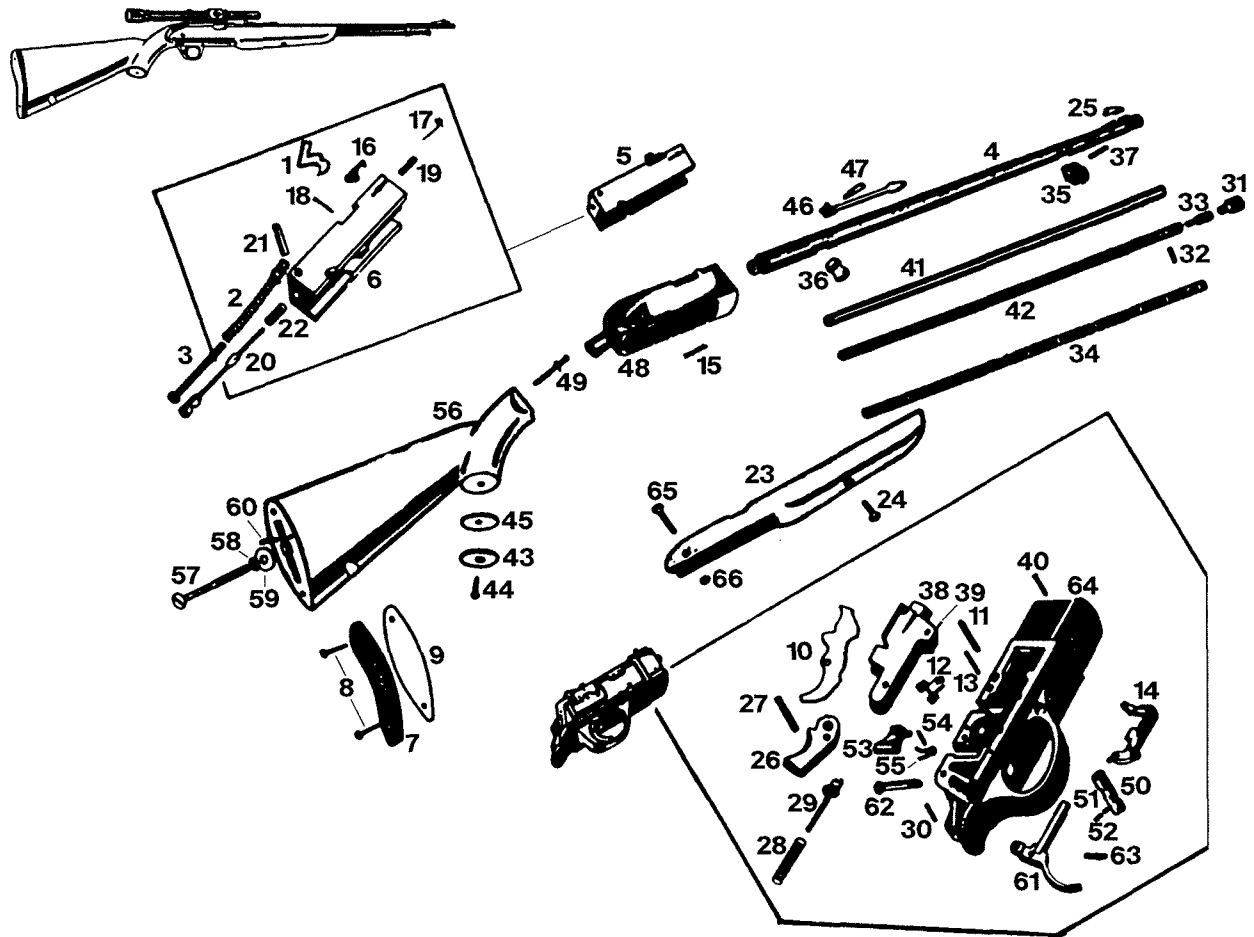
1	Barrel	19	Extractor Springs	35	Recoil Pad Screws
2	Bolt Assembly	20	Firing Pin	36	Safety
3	Bolt Handle Aligning Plunger Spring	21	Firing Pin Head	37	Safety Screws
4	Bolt Handle Aligning Plunger	22	Firing Pin Head Cross Pin	38	Safety Spring
5	Bolt Head Retaining Pin	23	Firing Pin Head Lock Pin	39	Sear
6	Bolt Stop Screw	24	Firing Pin Spring	40	Sear Pin
7	Carrier Assembly	25	Firing Pin Spring Retaining Sleeve	41	Stock Assembly
8	Cartridge Stop	26	Firing Pin Spring Retaining Sleeve Stop Ring	42	Stock Binding Stud
9	Cartridge Stop Spring	27	Front Sight	43	Stock Binding Stud Nuts
10	Carrier Housing	28	Magazine Cap	44	Takedown Escutcheon
11	Carrier Housing	29	Magazine Follower	45	Takedown Screw
12	Carrier Pin	30	Magazine Front Band	46	Takedown Escutcheon Pins
13	Carrier Plunger	31	Magazine Front Band Binding Screw	47	Trigger
14	Carrier Plunger Spring	32	Magazine Spring	48	Trigger Guard
15	Ejector	33	Magazine Tube	49	Trigger Guard Screw
16	Extractor, Left	34	Recoil Pad Assembly	50	Trigger Pin
17	Extractor, Right			51	Trigger Spring
18	Extractor Plungers			52	Wood Plug

Model 20 Slide-Action Shotgun



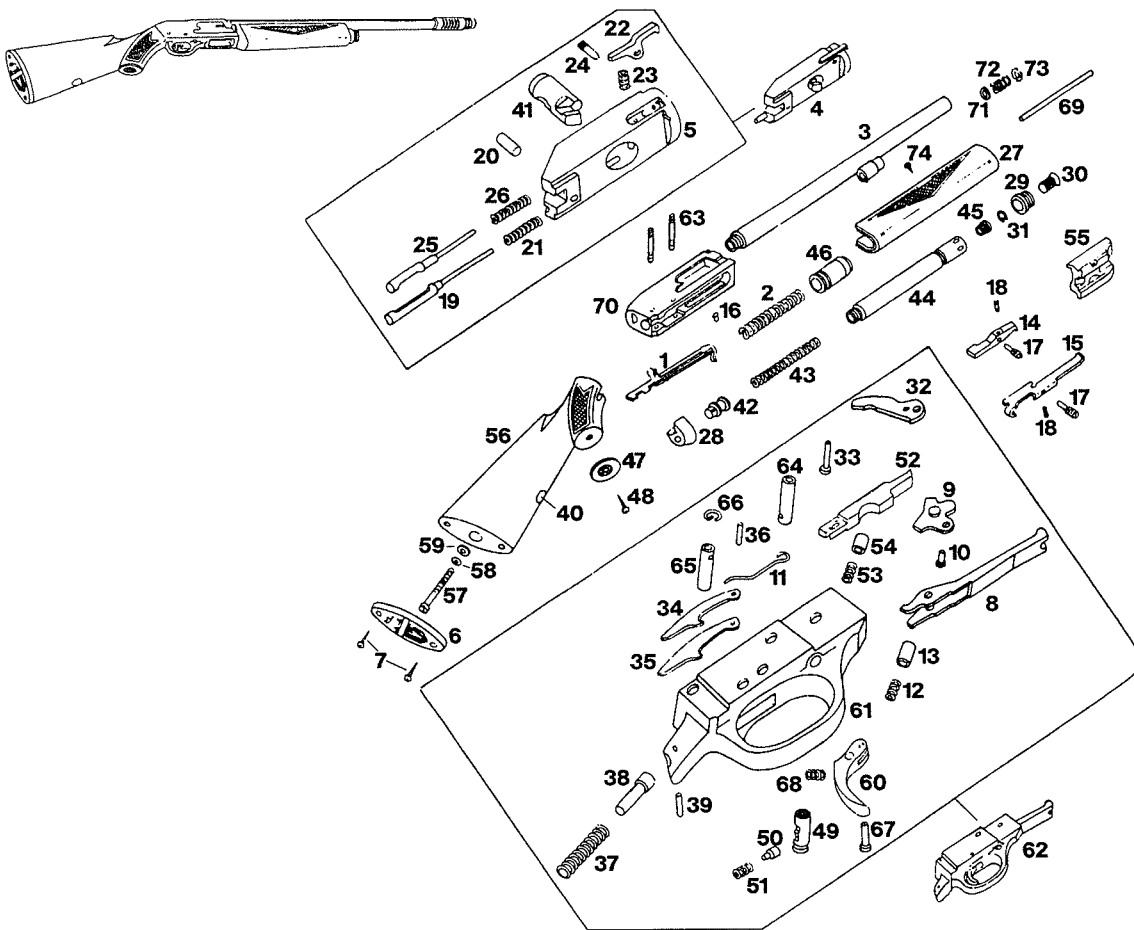
1	Slide Action	26	Forehand Operating Tube and Action Bar Assembly	51	Safety Button
2	Slide Action Release Lever	27	Front Sight	52	Safety Plunger
3	Slide Action Release Lever Spring	28	Hammer	53	Safety Plunger Spring
4	Slide Action Spring	29	Hammer Hinge Pin	54	Stock Bolt
5	Barrel	30	Hammer Spring	55	Stock Bolt Lock Washer
6	Bolt	31	Hammer Spring Guide	56	Stock Bolt Washer
7	Bolt Assembly	32	Hammer Spring Retaining Pin	57	Trigger
8	Carrier	33	Hammer Strut	58	Trigger Guard
9	Carrier Operating Cam	34	Hammer Strut Pin	59	Trigger Guard Assembly
10	Carrier Operating Cam Retaining Pin	35	Initial Plate	60	Trigger Guard Retaining Pin
11	Cartridge Stop Spring	36	Magazine Cap	61	Trigger Guard Retaining Pin Spring
12	Cartridge Stop, Left	37	Magazine Follower	62	Trigger Lock
13	Cartridge Stop, Right	38	Magazine Band	63	Trigger Lock Pawl
14	Ejector	39	Magazine Band Screw	64	Trigger Lock Pawl Spring
15	Ejector Screw	40	Magazine Plug Filler Screw	65	Trigger Lock Pin
16	Extractor Hinge Pins	41	Magazine Spring	66	Trigger Lock Spring
17	Extractor, Left	42	Magazine Tube and Ring Assembly	67	Trigger Pin
18	Extractor, Right	43	Magazine Tube Locking Screws	68	Trigger Spring
19	Extractor Spring, Left	44	Pistol Grip Cap	69	Wood Plug
20	Extractor Spring, Right	45	Pistol Grip Cap Screw	70	Cartridge Stop Pin
21	Firing Pin	46	Receiver Assembly		
22	Firing Pin Retaining Pin	47	Receiver Tang	Parts Not Shown	
23	Firing Pin Spring	48	Buttstock		Action Slide Release Lever
24	Forehand Operating Handle	49	Recoil Pad		Operating Pin
25	Forehand Operating Handle Sleeve Front Nut	50	Recoil Pad Screws		Cartridge Stop Pin
					Hammer Spacer
					Trigger Lock Pawl Screw

Model 31, 28, 29 and 30 Autoloading Rifle



- | | | | | | |
|----|--------------------------------|----|-------------------------------|-------------------------|--|
| 1 | Bolt Operating Handle | 25 | Front Sight | 49 | Receiver Tang |
| 2 | Driving Spring | 26 | Hammer | 50 | Safety Button |
| 3 | Driving Spring Guide | 27 | Hammer Pin | 51 | Safety Button Plunger |
| 4 | Barrel and Ramp Assembly | 28 | Hammer Spring | 52 | Safety Button Plunger Spring |
| 5 | Bolt Assembly | 29 | Hammer Spring Guide | 53 | Sear |
| 6 | Bolt | 30 | Hammer Spring Pin | 54 | Sear Pin |
| 7 | Buttplate | 31 | Magazine Cap | 55 | Sear Spring |
| 8 | Buttplate Screws | 32 | Magazine Cap Pin | 56 | Stock Assembly |
| 9 | Buttplate Trim | 33 | Magazine Follower | 57 | Stock Bolt |
| 10 | Cartridge Lifter | 34 | Magazine Spring | 58 | Stock Bolt Lock Washer |
| 11 | Cartridge Lifter Pin | 35 | Magazine Support, Front | 59 | Stock Bolt Washer |
| 12 | Cartridge Lifter Spring | 36 | Magazine Support, Rear | 60 | Stock Washer |
| 13 | Lifter Spring Retaining Pin | 37 | Magazine Support Pin | 61 | Trigger and Trigger Extension Assembly |
| 14 | Disconnecter Assembly | 38 | Magazine Throat, Right | 62 | Trigger Pin |
| 15 | Ejector | 39 | Magazine Throat, Left | 63 | Trigger Spring |
| 16 | Extractor | 40 | Magazine Throat Retaining Pin | 64 | Trigger Guard |
| 17 | Disconnecter Spring | 41 | Magazine Tube, Outside | 65 | Trigger Guard Retaining Screw |
| 18 | Extractor Spring Retaining Pin | 42 | Magazine Tube, Inside | 66 | Trigger Guard Retaining Screw Nut |
| 19 | Extractor Spring | 43 | Pistol Grip Cap | Parts Not Shown | |
| 20 | Firing Pin | 44 | Pistol Grip Cap Screw | Extractor Retaining Pin | |
| 21 | Firing Pin Retaining Pin | 45 | Pistol Grip Cap Trim | Extractor Plunger | |
| 22 | Firing Pin Spring | 46 | Rear Sight | | |
| 23 | Forearm | 47 | Rear Sight Elevator | | |
| 24 | Forearm Retaining Screw | 48 | Receiver | | |

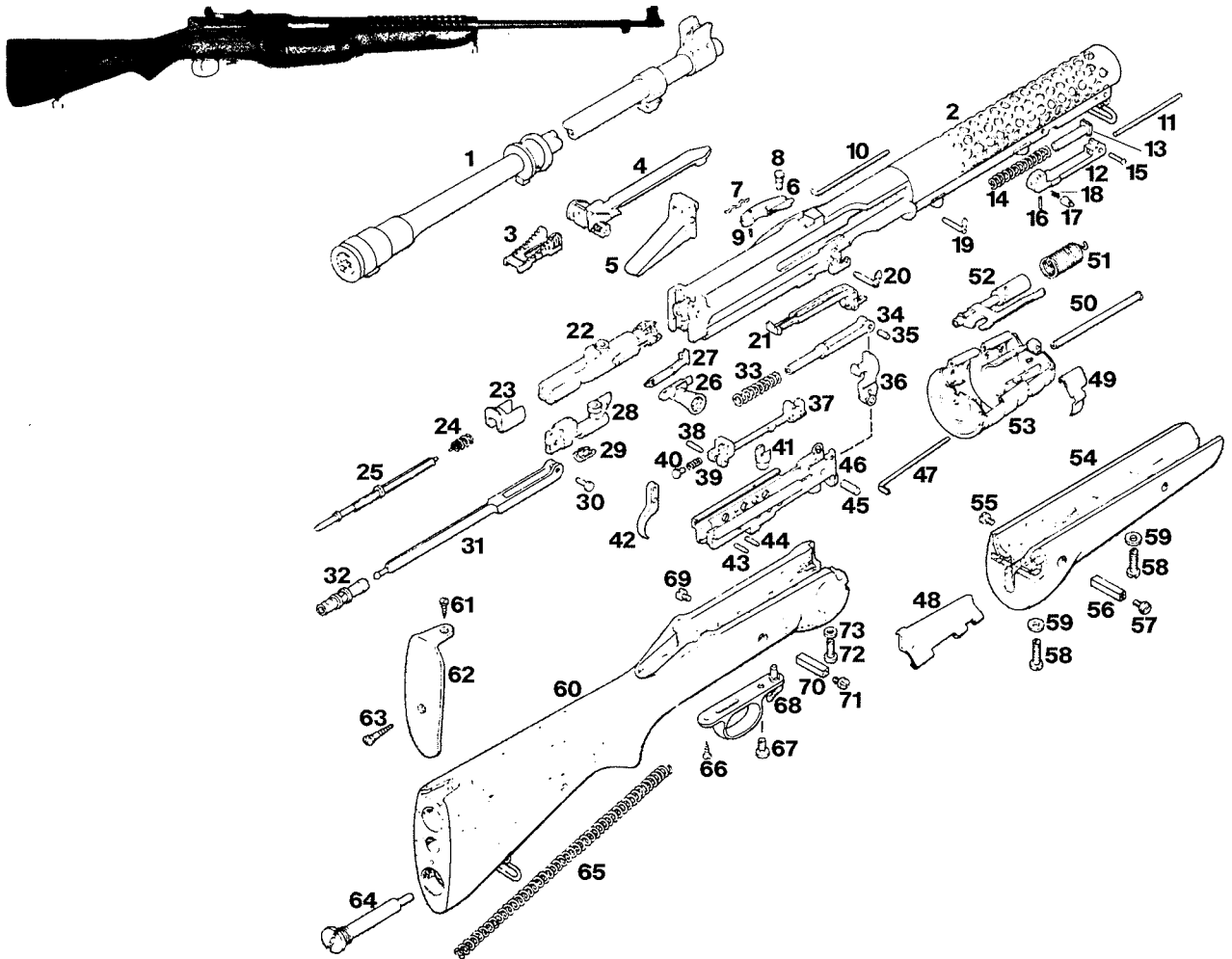
Model 60 Autoloading Shotgun



- | | | | | | |
|-----------|--------------------------------------|-----------|-----------------------------------|-----------|--|
| 1 | Action Bar Assembly | 27 | Forehand Assembly | 52 | Sear |
| 2 | Action Spring | 28 | Forehand Base | 53 | Sear Spring |
| 3 | Barrel and Cylinder | 29 | Forehand Cap | 54 | Sear Spring Plunger |
| 4 | Bolt Assembly | 30 | Forehand Cap Screw | 55 | Slide |
| 5 | Bolt | 31 | Forehand Cap Screw Retaining Ring | 56 | Stock Assembly |
| 6 | Buttplate | 32 | Hammer | 57 | Stock Bolt |
| 7 | Buttplate Screws | 33 | Hammer Hinge Pin | 58 | Stock Bolt Lock Washer |
| 8 | Cartridge Lifter | 34 | Hammer Strut, Right | 59 | Stock Bolt Washer |
| 9 | Cartridge Lifter Actuator Assembly | 35 | Hammer Strut, Left | 60 | Trigger |
| 10 | Cartridge Lifter Actuator Hinge Pin | 36 | Hammer Strut Pin | 61 | Trigger Guard |
| 11 | Cartridge Lifter Actuator Spring | 37 | Hammer Spring | 62 | Trigger Guard Assembly |
| 12 | Cartridge Lifter Spring | 38 | Hammer Spring Guide | 63 | Trigger Guard Retaining Pins |
| 13 | Cartridge Lifter Spring Plunger | 39 | Hammer Spring Retaining Pin | 64 | Trigger Guard Retaining Pin Bushing, Front |
| 14 | Cartridge Stop, Right | 40 | Initial Plate | 65 | Trigger Guard Retaining Pin Bushing, Rear |
| 15 | Cartridge Stop, Left | 41 | Locking Pin | 66 | Trigger Guard Retaining Pin Bushing Retaining Spring |
| 16 | Cartridge Stop Button | 42 | Magazine Follower | 67 | Trigger Hinge Pin |
| 17 | Cartridge Stop Pins | 43 | Magazine Spring | 68 | Trigger Spring |
| 18 | Cartridge Stop Springs | 44 | Magazine Tube | 69 | Wood Plug |
| 19 | Ejector | 45 | Magazine Tube Cap | 70 | Receiver |
| 20 | Ejector and Firing Pin Retaining Pin | 46 | Piston | 71 | Washer |
| 21 | Ejector Retracting Spring | 47 | Pistol Grip Cap | 72 | Spring |
| 22 | Extractor, Right | 48 | Pistol Grip Cap Screw | 73 | Lock Washer |
| 23 | Extractor Spring, Right | 49 | Safety Button | 74 | Takedown Screw |
| 24 | Extractor Pivot Pin | 50 | Safety Spring Plunger | | |
| 25 | Firing Pin | 51 | Safety Spring | | |
| 26 | Firing Pin Retracting Spring | | | | |

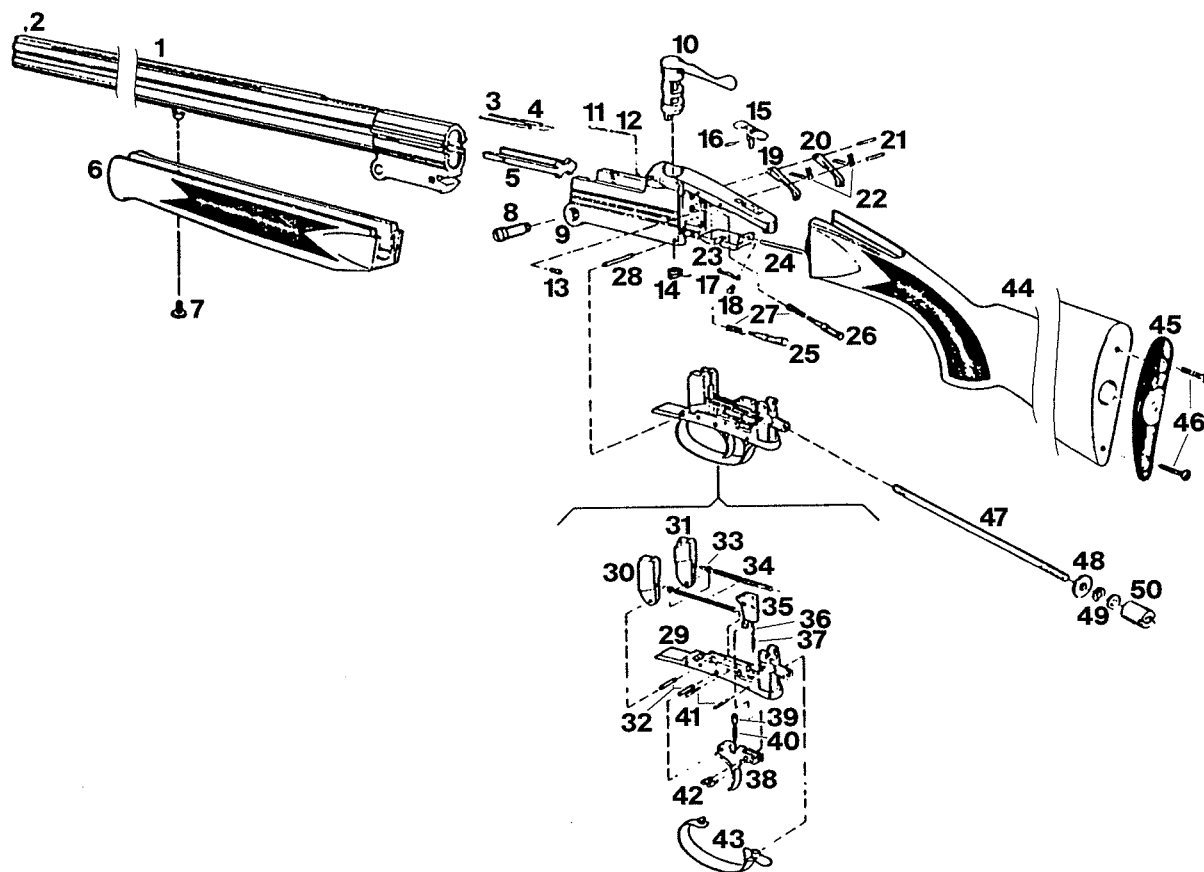
Autoloading Rifle

Courtesy of Blacksmith Corporation



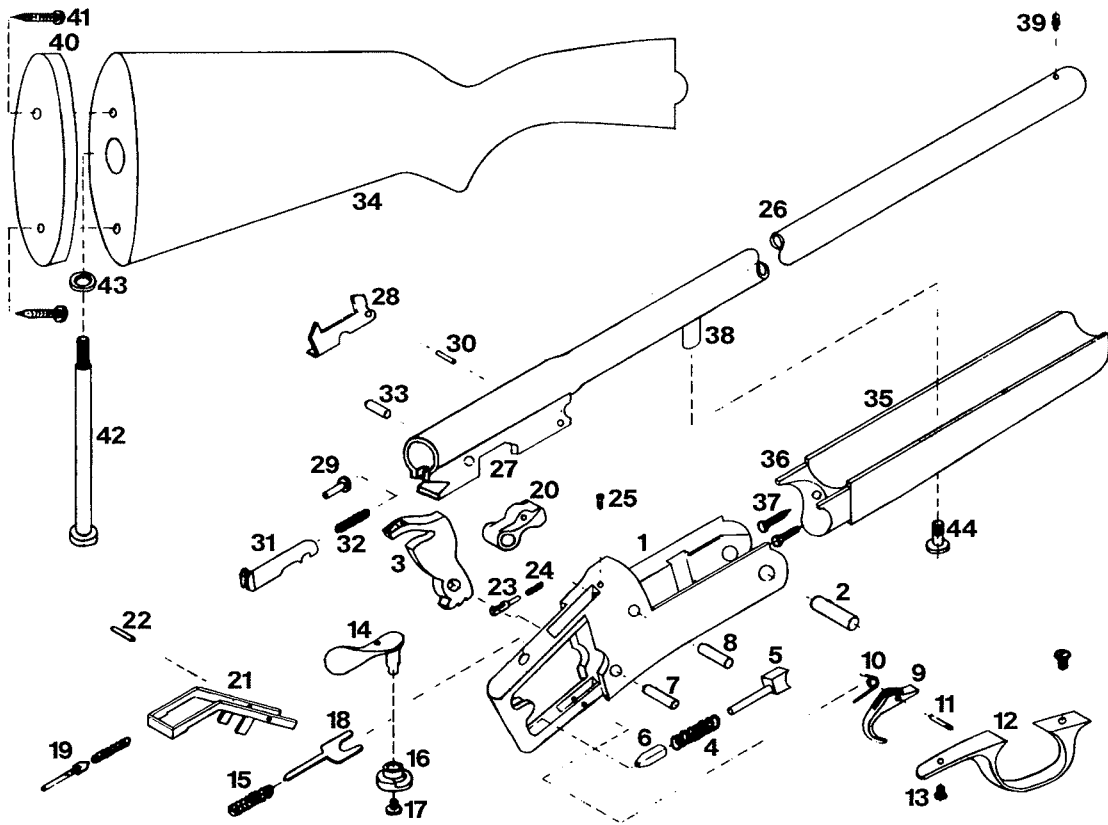
1	Barrel and Collar	26	Operating Handle	51	Magazine Spring
2	Receiver	27	Extractor	52	Magazine Follower
3	Rear Sight Elevator	28	Locking Cam Unit	53	Magazine Housing
4	Rear Sight Assembly	29	Firing Pin Stop	54	Forend
5	Bolt Stop Plate and Plunger	30	Hinge Pin	55	Recoil Stop Screw
6	Ejector	31	Link	56	Recoil Stop
7	Ejector Pin Retainer Spring	32	Mainspring Follower	57	Recoil Stop Screw
8	Ejector Hinge Pin	33	Hammer Spring	58	Forend Screws
9	Spring Retaining Pin	34	Hammer Strut	59	Washers
10	Magazine Retainer Pin	35	Hammer Strut Pin	60	Buttstock
11	Latch Spring Guide	36	Hammer	61	Upper Buttplate Screw
12	Barrel Latch	37	Sear	62	Buttplate
13	Return Spring Plunger	38	Trigger Pin Link Pin	63	Buttplate Screw
14	Barrel Return Spring	39	Trigger Spring	64	Mainspring Tube Cap and Buffer Assembly
15	Latch Hinge Pin	40	Spring Plunger	65	Mainspring
16	Detent Retainer Pin	41	Safety Catch Cam	66	Trigger Guard Wood Screw
17	Detent	42	Trigger	67	Trigger Guard Screw
18	Detent Spring	43	Trigger Pin	68	Trigger Guard and Safety Assembly
19	Cross Pin, Front	44	Sear Stop Pin	69	Recoil Stop Screw
20	Cross Pin, Rear	45	Hammer Hinge Pin	70	Recoil Stop
21	Bolt Catch	46	Sear Housing	71	Recoil Stop Screw
22	Bolt	47	Magazine Cover Hinge Pin	72	Stock Screw
23	Bolt Stop	48	Magazine Cover	73	Washer
24	Firing Pin Spring	49	Magazine Cover Spring		
25	Firing Pin	50	Magazine Axis		

Omega Over/Under Shotgun



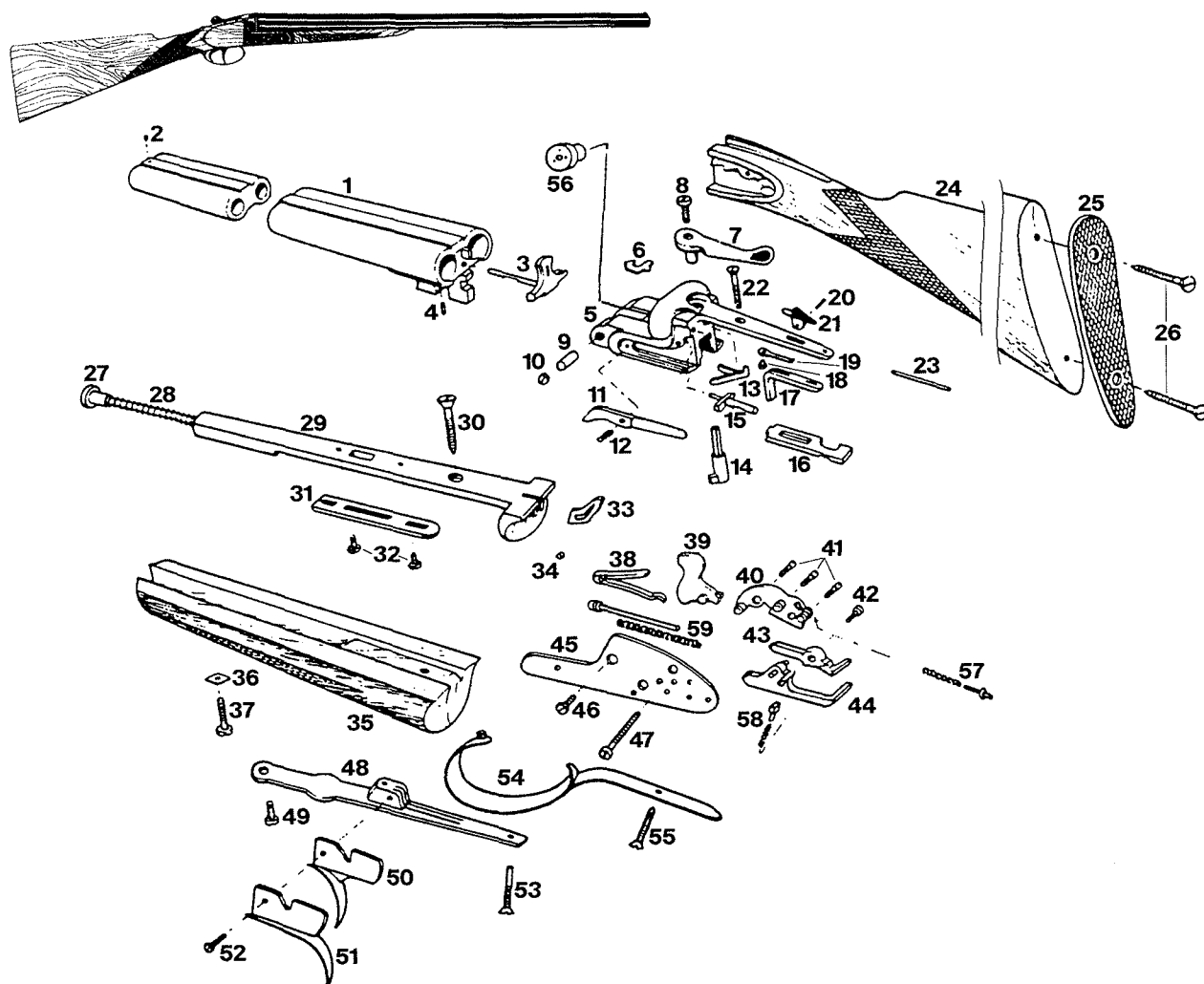
1	Barrel	18	Safety Spring Screw	35	Inertia Block
2	Front Sight	19	Left Sear	36	Inertia Block Spring
3	Extractor Spring	20	Right Sear	37	Inertia Block Spring Guide
4	Extractor Spring Guide	21	Sear and Sear Spring Pins	38	Trigger
5	Extractor	22	Sear Springs	39	Trigger Spring Plunger
6	Forend	23	Crossbolt	40	Trigger Spring
7	Forend Screw	24	Automatic Safety Activator Pin	41	Trigger Spring and Trigger Guard Retaining Pins
8	Receiver Screw	25	Lower Firing Pin	42	Inertia Block Retaining Screws
9	Action	26	Upper Firing Pin	43	Trigger Guard
10	Top Opening Lever	27	Firing Pin Springs	44	Stock
11	Lock Release Button	28	Trigger Plate Pin	45	Buttplate
12	Lock Release Button Spring	29	Trigger Plate	46	Buttplate Screws
13	Top Lever Retaining Screw	30	Hammer, Left	47	Stock Bolt
14	Top Lever Spring Release	31	Hammer, Right	48	Stock Bolt Washer
15	Safety	32	Hammer and Trigger Pins	49	Plastic Stock Bolt Washers
16	Safety Pin	33	Mainspring Guides	50	Stock Bolt Nut
17	Safety Spring	34	Mainsprings		

Omega Single Shot Shotgun



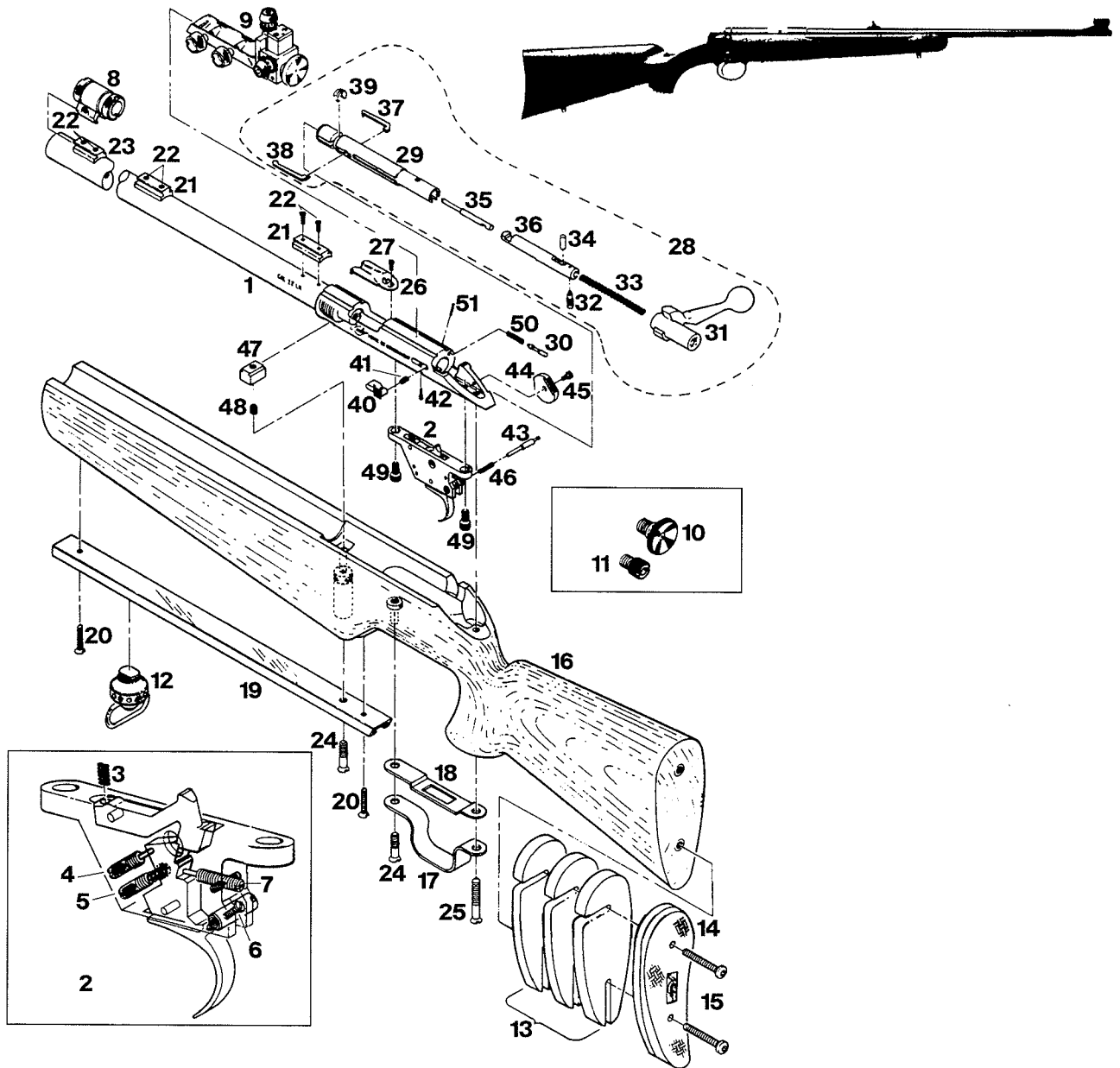
1	Receiver	23	Firing Pin
2	Receiver Connection Pin	24	Firing Pin Spring
3	Hammer	25	Firing Pin Bolt
4	Mainspring	26	Barrel
5	Mainspring Guide	27	Barrel Connector
6	Mainspring Retainer	28	Ejector Extension
7	Hammer Pin	29	Shotshell Retaining Pin
8	Barrel Fixing Pin	30	Ejector Extension Pin
9	Trigger	31	Ejector
10	Trigger Spring	32	Ejector Spring
11	Trigger Pin	33	Ejector Pin
12	Trigger Guard	34	Stock
13	Trigger Guard Screw	35	Forearm
14	Top Lever	36	Forearm Bracket
15	Top Lever Spring	37	Forearm Bracket Bolts
16	Top Lever Cam	38	Forearm Nut
17	Top Lever Cam Bolt	39	Sight
18	Top Lever Spring Guide Plate	40	Buttplate
19	Top Lever Spring Guide	41	Buttplate Screws
20	Barrel Fixture	42	Stock Bolt
21	Barrel Fixture Connector	43	Stock Bolt Washer
22	Barrel Fixture Connector Pin		

Regent VI Side-by-Side Shotgun



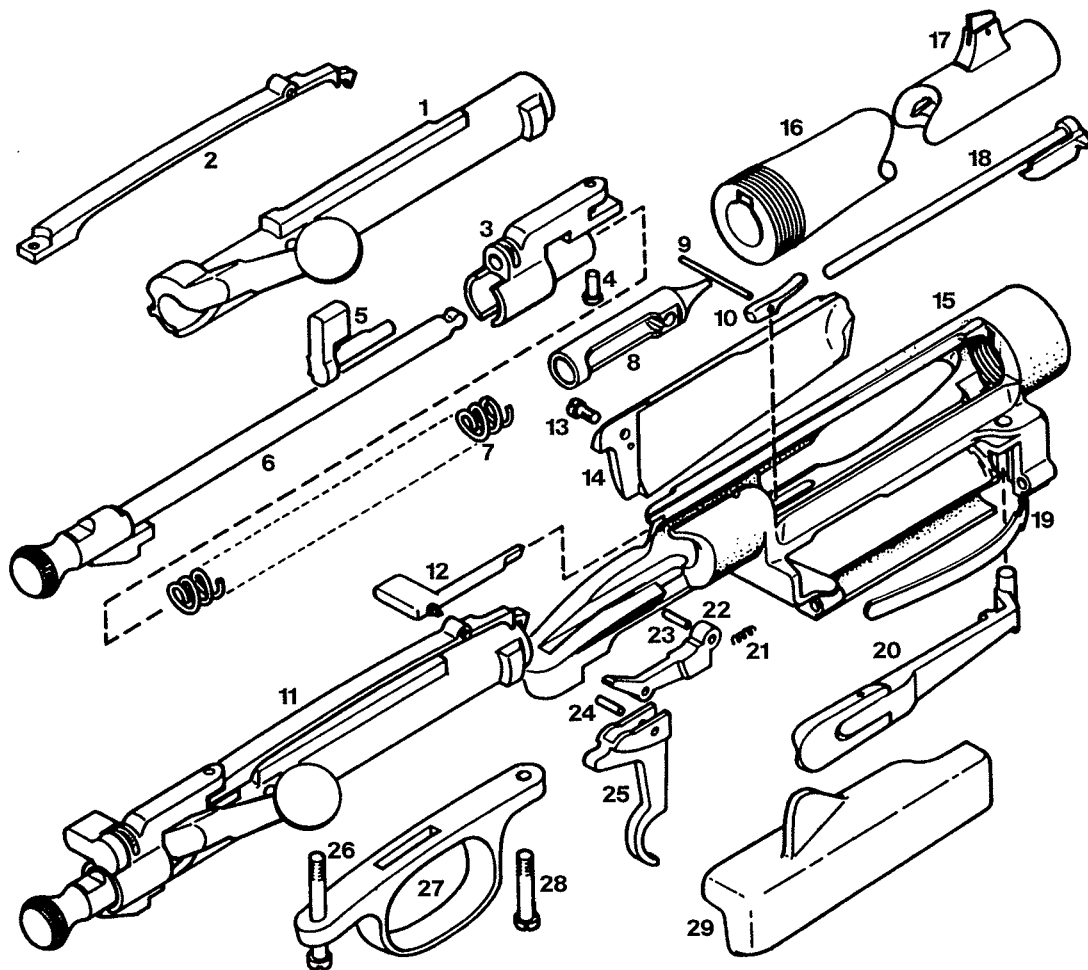
1	Barrels	22	Upper Tang Screw	40	Hammer and Sear Ledge
2	Sight Bead	23	Safety Activator Pin	41	Ledge Screws
3	Extractor	24	Stock	42	Sear Screw
4	Extractor Retaining Screw	25	Buttplate	43	Double Safety Sear
5	Breech Assembly	26	Buttplate Screw	44	Sear
6	Purdey Lock	27	Forend Catch Button	45	Sidelock
7	Top Lever	28	Forend Catch Spring	46	Front Sidelock Screw
8	Top Lever Screw	29	Forend Iron	47	Rear Sidelock Screw
9	Barrel Pivot Pin	30	Forend Mount Screw	48	Trigger Pate
10	Barrel Pivot Pin Cap	31	Forend Catch	49	Trigger Plate Screw
11	Cocking Lever Pivot	32	Forend Catch Screw	50	Front Trigger
12	Cocking Lever Pivot Screw	33	Extractor Hammer Cocking Lever Activator	51	Rear Trigger
13	Top Lever Spring	34	Extractor Hammer Cocking Lever Screw	52	Trigger Pin
14	Vertical Bolt	35	Forend Wood	53	Rear Trigger Plate Screw
15	Firing Pin	36	Forend Escutcheon	54	Trigger Guard
16	Horizontal Bolt	37	Forend Escutcheon Mounting Screw	55	Trigger Guard Screw
17	Safety Activator	38	Hammer Spring	56	Firing Pin Bushing
18	Safety Spring Screw	39	Hammer	57	Ledge Spring and Plunger
19	Safety Spring			58	Sear Spring and Plunger
20	Safety Button Pin			59	Safety Sear Spring and Plunger
21	Safety Button				

Model 82 U.S. Government Bolt-Action Rifle



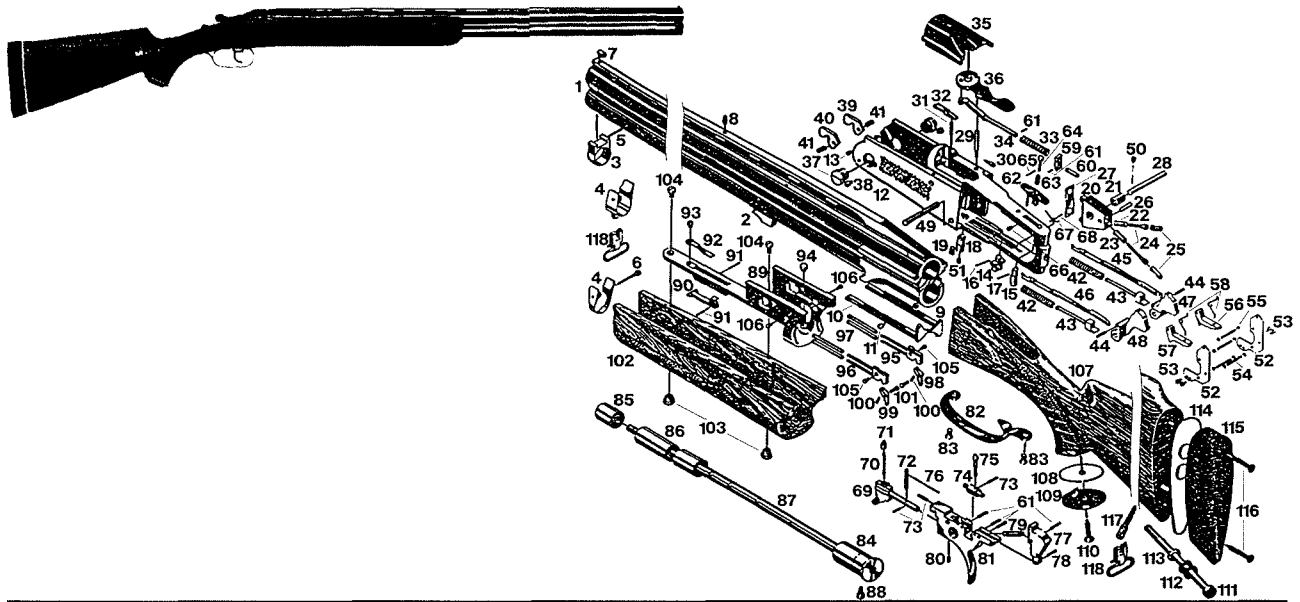
1	Receiver and Barrel Assembly	18	Trigger Guard Plate	35	Firing Pin
2	Trigger Group Assembly	19	Hand Stop Rail	36	Striker
3	Sear Spring	20	Hand Stop Rail Screws	37	Extractor
4	Overtravel Screw	21	Scope Mount Bases	38	Helper
5	Trigger Adjustment Screw	22	Base Screws	39	Extractor Spring
6	Safety Adjustment Screw	23	Front Sight Base	40	Bolt-Stop
7	Sear Engagement Screw	24	Front Takedown Screws	41	Bolt-Stop Spring
8	Front Sight Assembly	25	Rear Takedown Screw	42	Bolt-Stop Screw
9	Rear Sight Assembly	26	Loading Platform/Ejector	43	Safety Pin
10	Rear Sight Aperture	27	Loading Platform Screw	44	Safety Disc
11	Rear Sight Adaptor	28	Bolt Assembly	45	Safety Disc Screw
12	Hand Stop Assembly	29	Bolt Head	46	Safety Pin Spring
13	Buttplate Spacers	30	Bolt Locking Plunger	47	Recoil Lug
14	Buttplate	31	Bolt Handle	48	Recoil Lug Set Screw
15	Buttplate Screws	32	Cocking Stud	49	Trigger Housing Screws
16	Stock Assembly	33	Mainspring	50	Bolt Locking Spring
17	Trigger Guard	34	Mainspring Pin	51	Bolt Locking Plunger Retaining Pin

Model 1892-99 Bolt-Action Rifle



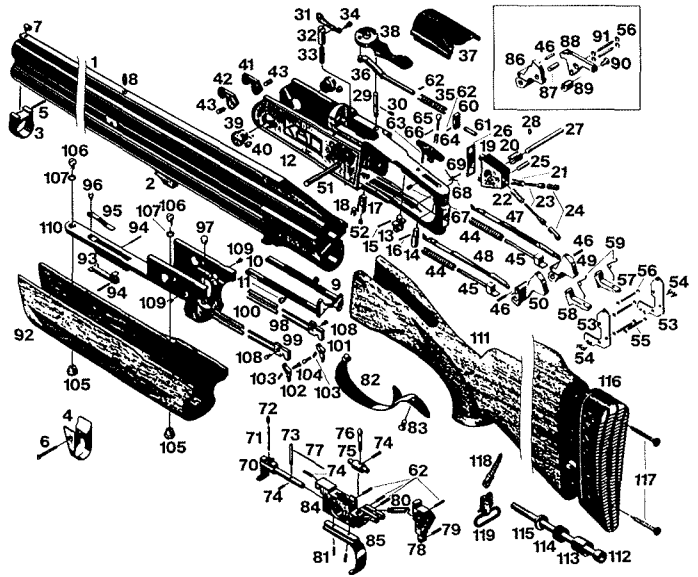
1	Bolt Body	16	Barrel
2	Extractor	17	Front Sight
3	Bolt Sleeve	18	Hinge Bar
4	Extractor Rivet	19	Magazine Spring
5	Safety	20	Carrier and Follower Assembly
6	Firing Pin Assembly	21	Sear Spring
7	Mainspring	22	Sear
8	Striker	23	Sear Pin
9	Ejector Pin	24	Trigger Pin
10	Ejector	25	Trigger
11	Bolt Assembly	26	Rear Guard Screw
12	Magazine Cutoff	27	Trigger Guard
13	Sideplate Screw	28	Front Guard Screw
14	Sideplate	29	Magazine Gate
15	Receiver		

K-32 Over/Under Shotgun



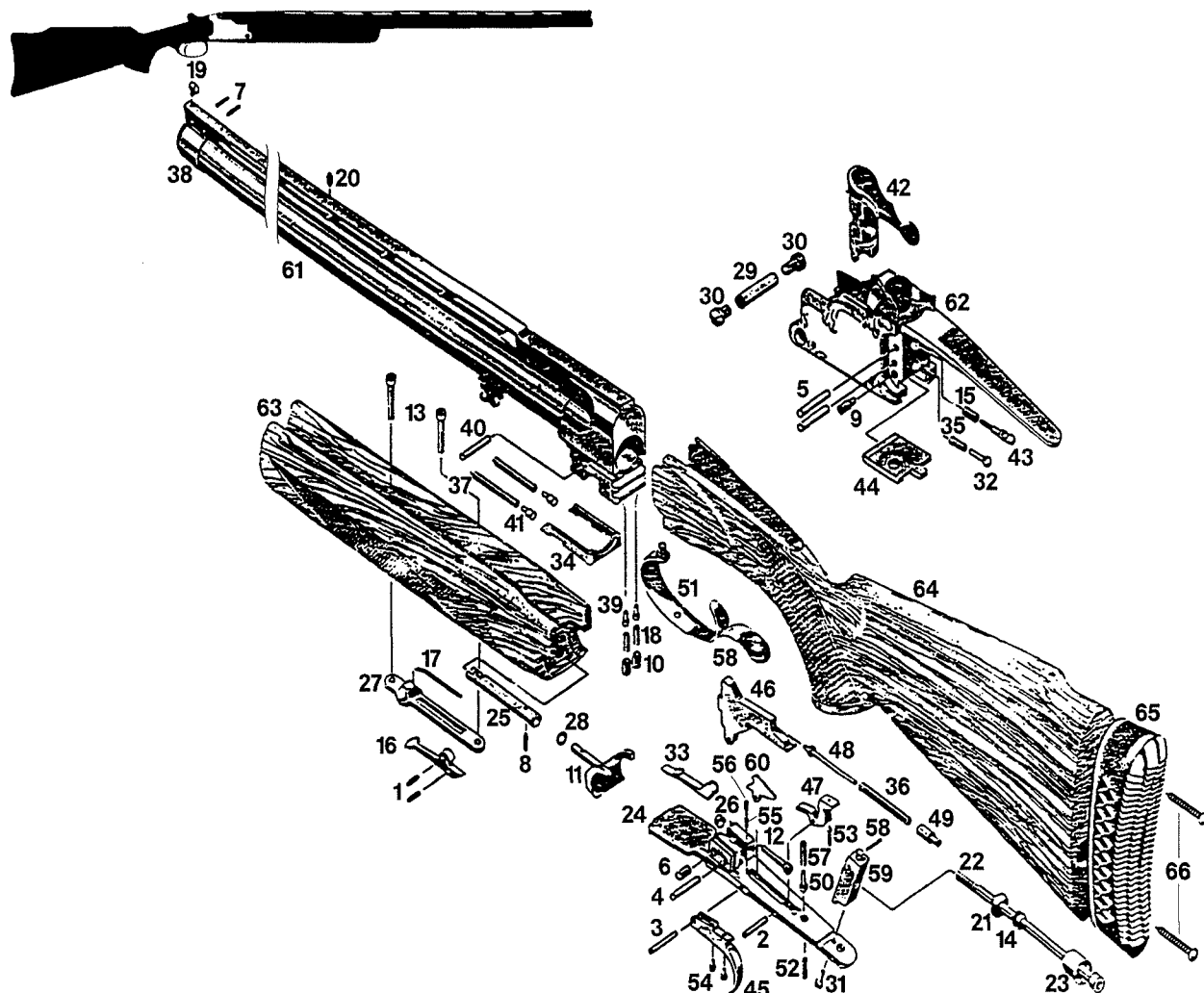
1	Barrels	41	Cocking Lever Pins	81	Trigger
2	Barrel Lug	42	Mainsprings	82	Trigger Guard
3	Front Hanger	43	Mainspring Guide Rods	83	Trigger Guard Screws
4	Rear Hanger	44	Cocking Rod Pins	84	Snap Cap
5	Front Hanger Pin	45	Cocking Rod, Bottom	85	Threaded Bushing
6	Rear Hanger Screw	46	Cocking Rod, Top	86	Threaded Bushing Weights
7	Front Sight	47	Hammer, Bottom	87	Spacing Bushing
8	Middle Sight	48	Hammer, Top	88	Snap Cap Lock Screw
9	Ejector, Bottom	49	Hammer Pivot Pin	89	Forearm Iron
10	Ejector, Top	50	Firing Pin Housing Set Screw	90	Forend Catch
11	Ejector Screws	51	Hammer Pivot Pin Set Screw	91	Forend Catch Pin
12	Receiver	52	Sideplates	92	Forend Catch Spring
13	Impact Pins	53	Sideplate Screws	93	Forend Catch Screw
14	Top Lever Spring Rod Support	54	Pivot and Spacing Pins	94	Forend Stop
15	Safety Stud	55	Circlips	95	Ejector Hammer, Bottom
16	Support Pin	56	Sear, Bottom	96	Ejector Hammer, Top
17	Safety Stud Pin	57	Sear, Top	97	Ejector Springs
18	Pivot Pin Stud	58	Sear Springs	98	Ejector Sear, Bottom
19	Hammer Pivot Pin Stud Lock Screw	59	Safety Block	99	Ejector Sear, Top
20	Firing Pin Housing	60	Safety Block Bolt	100	Ejector Sear Springs
21	Bushing	61	Drive Pins	101	Ejector Sear Pins
22	Firing Pin Spring, Bottom	62	Safety Slide	102	Forearm Wood
23	Firing Pin Spring, Top	63	Push Button Spring	103	Forearm Rosettes
24	Firing Pins, Front	64	Push Button	104	Forearm Screws
25	Firing Pins, Rear	65	Push Button Pin	105	Ejector Hammer Pins
26	Firing Pin Retaining Pin	66	Stop Screw	106	Forend Stop Pins
27	Distance Piece	67	Trigger Spring	107	Stock
28	Firing Pins Housing Pin	68	Trigger Spring Drive Pin	108	Pistol Grip Spacer
29	Pin	69	Barrel Selector	109	Pistol Grip Cap
30	Pin Lock Screw	70	Barrel Selector Spring	110	Stock Screw
31	Catch Spring	71	Barrel Selector Stop	111	Guide Sleeve
32	Catch	72	Barrel Selector Pin	112	Plate Spring
33	Top Lever Spring	73	Retaining Pins	113	Spring Washer
34	Top Lever Spring Rod	74	Sear Selector Axle	114	Buttplate Spacer
35	Top Latch	75	Sear Selector	115	Buttplate
36	Top Lever	76	Sear Spring	116	Buttplate Screws
37	Hinge Screw	77	Inertia Block	117	Phillips Head Screw
38	Hinge Screw Lock Screw	78	Inertia Block Pin	118	Sling Swivels
39	Cocking Lever, Bottom	79	Inertia Block Spring		
40	Cocking Lever, Top	80	Trigger Set Screw		

K-80 Over/Under Shotgun



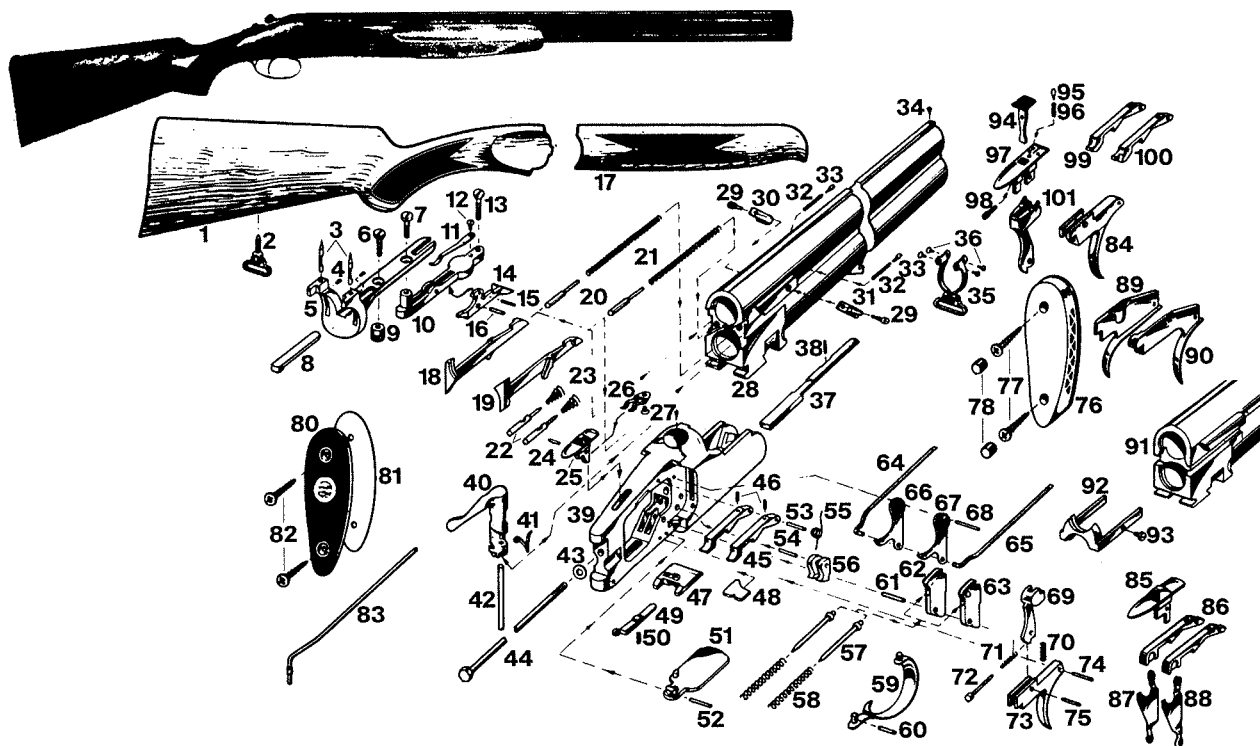
1	Barrel	41	Cocking Lever, Bottom	81	Set Screw
2	Barrel Lug	42	Cocking Lever, Top	82	Trigger Guard
3	Front Hanger	43	Cocking Lever Pins	83	Trigger Guard Screw
4	Rear Hanger	44	Mainsprings	84	Trigger Housing
5	Front Hanger Pin	45	Guide Rods	85	Trigger
6	Rear Hanger Screw	46	Cocking Rod Pins	86	Hammer
7	Front Sight	47	Cocking Rod, Bottom	87	Hammer Pin
8	Middle Sight	48	Cocking Rod, Top	88	Release Plate
9	Ejector, Bottom	49	Hammer, Bottom	89	Eccentric Bushing
10	Ejector, Top	50	Hammer, Top	90	Countersunk Screw
11	Ejector Screws	51	Pivot Pin	91	Release Pins
12	Receiver	52	Pivot Pin Set Screw	92	Forearm
13	Top Lever Spring Rod Support	53	Sideplates	93	Forend Catch
14	Safety Stud	54	Sideplate Screws	94	Forend Catch Pins
15	Support Pin	55	Pivot and Spacing Pins	95	Forend Catch Spring
16	Safety Stud Pin	56	Circlips	96	Forend Catch Screw
17	Hammer Pivot Pin Stud	57	Sear, Bottom	97	Forend Stop
18	Hammer Pivot Pin Stud Lock Screw	58	Sear, Top	98	Ejector Hammer, Bottom
19	Firing Pin Housing	59	Sear Springs	99	Ejector Hammer, Top
20	Bushing	60	Safety Block	100	Ejector Springs
21	Firing Pin Spring, Bottom	61	Safety Block Bolt	101	Ejector Sear, Bottom
22	Firing Pin Spring, Top	62	Drive Pins	102	Ejector Sear, Top
23	Firing Pins, Front	63	Safety Slide	103	Ejector Sear Springs
24	Firing Pins, Rear	64	Push Button Spring	104	Ejector Sear Pins
25	Firing Pin Retaining Pin	65	Push Button	105	Rosettes
26	Distance Piece	66	Pin	106	Forearm Screws
27	Firing Pin Housing Pin	67	Stop Screw	107	Forearm Washers
28	Housing Pin Lock Screw	68	Trigger Spring	108	Pin
29	Pin	69	Trigger Spring Drive Pin	109	Stop Pin
30	Pin Lock Screw	70	Barrel Selector	110	Forearm Iron
31	Catch	71	Barrel Selector Spring	111	Stock
32	Catch Pin	72	Barrel Selector Stop	112	Guide Sleeve
33	Catch Spring	73	Barrel Selector Pin	113	Guide Sleeve Collar
34	Catch Screw	74	Pins	114	Plate Spring
35	Top Lever Spring	75	Sear Selector Axle	115	Spring Washer
36	Top Lever Spring Rod	76	Selector Sear	116	Buttplate
37	Top Latch	77	Spring	117	Buttplate Screws
38	Top Lever	78	Inertia Block	118	Phillips Head Screw
39	Hinge Screw	79	Inertia Block Pin	119	Sling Swivel
40	Hinge Screw Lock Screw	80	Inertia Block Spring		

KS-5 Single Shot Shotgun



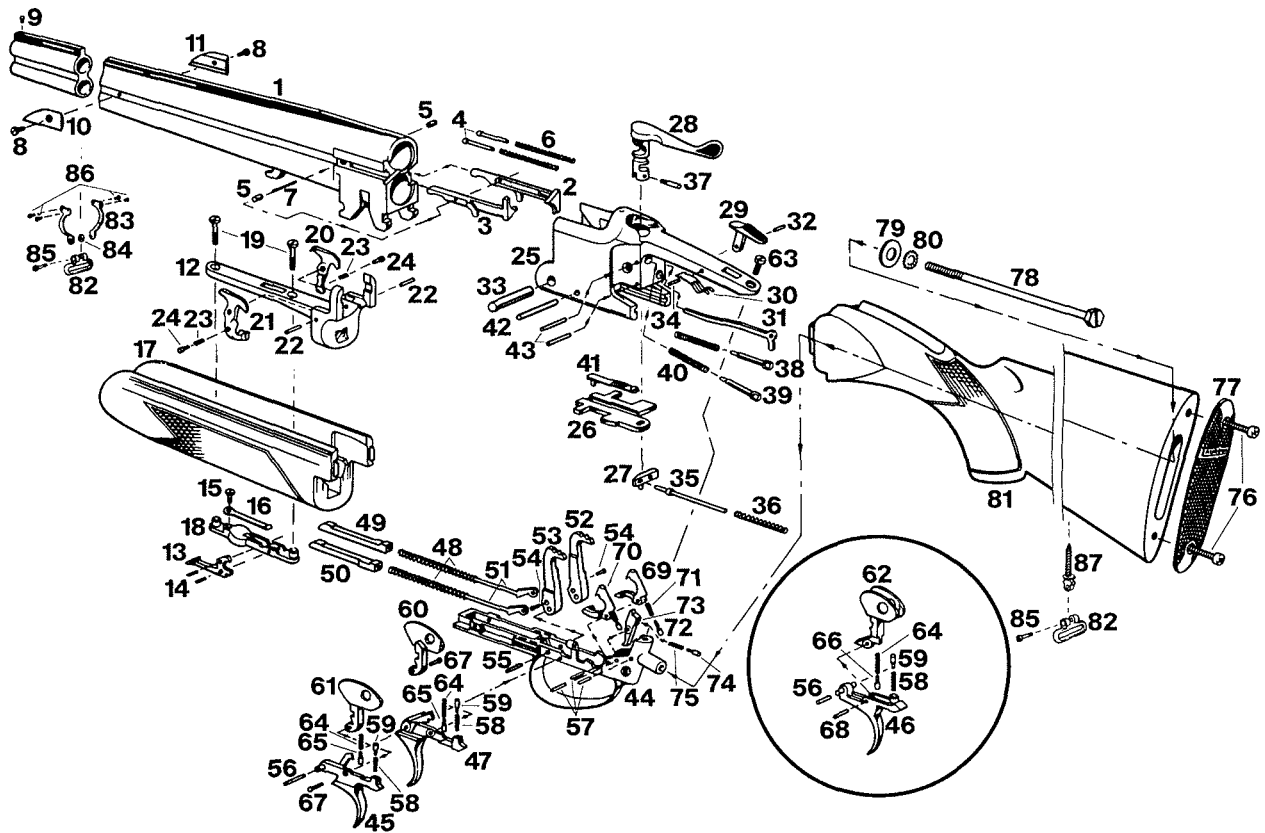
1	Forend Catch Pins	23	Guiding Bushing	45	Trigger
2	Pin	24	Forend Iron	46	Hammer
3	Trigger Pin	25	Forend Iron End	47	Sear
4	Hammer Pin	26	Trigger Floorplate Washer	48	Mainspring Guiding Rod
5	Firing Pin and Top Lever Pins	27	Forend Catch Housing	49	Guiding Rod Bushing
6	Top Lever Release Bolt Pin	28	Forend Spacer	50	Bushing Pin
7	Front Hanger Pins	29	Hinge Pin	51	Trigger Guard
8	Forearm Pin	30	Hinge Screws	52	Threaded Pin
9	Top Lever Threaded Pin	31	Allen Screw	53	Pin
10	Ejector Bolt Threaded Pins	32	Top Lever Roll Pin	54	Trigger Adjustment Screws
11	Top Lever Catch Spring	33	Top Lever Release	55	Disconnecter Spring
12	Trigger Floorplate Screw	34	Ejector	56	Disconnecter Spring Guide Pin
13	Forearm Screws	35	Top Lever Spring	57	Bushing Spring
14	Spring Washer for Stock Bolt	36	Mainspring	58	Support Pins
15	Firing Pin Spring	37	Ejector Springs	59	Rear Support Block
16	Forend Catch	38	Front Hanger	60	Disconnecter
17	Forend Catch Spring	39	Ejector Locking Pins	61	Barrel
18	Release and Ejector Springs	40	Ejector Pin	62	Receiver
19	Front Sight	41	Ejector Hammers	63	Forearm
20	Middle Sight	42	Top Lever	64	Buttstock
21	Stock Washer	43	Firing Pin	65	Buttplate
22	Stock Bolt	44	Locking Bolt	66	Buttplate Screws

Model 844 ST Over/Under Shotgun



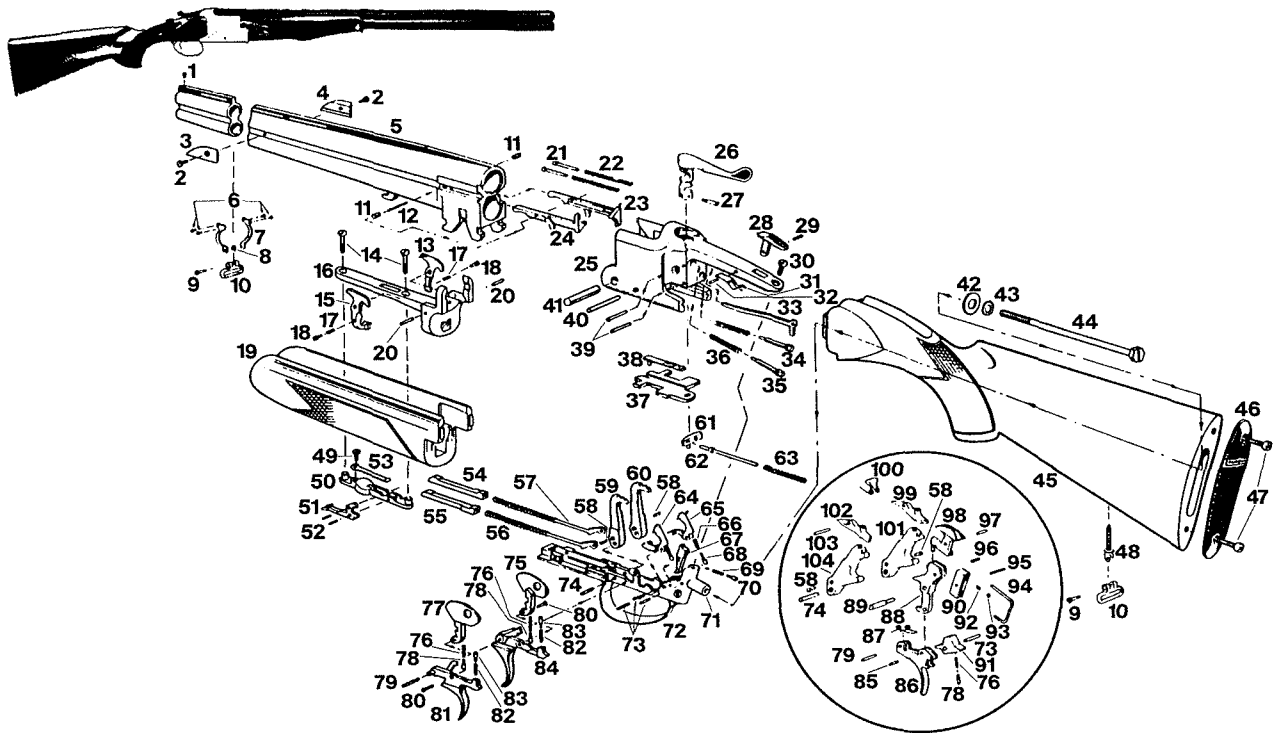
1	Stock	35	Barrel Swivel	69	Inertia Block
2	Swivel	36	Barrel Swivel Retaining Pins	70	Trigger Return Spring
3	Ejector Trip Lifters	37	Cocking Rod	71	Inertia Block Spring
4	Ejector Trip Stop Pins	38	Cocking Rod Retaining Pin	72	Inertia Block Plunger
5	Forend Iron	39	Action Body	73	Trigger
6	Forend Wood Retaining Pin	40	Top Lever	74	Trigger Retaining Pin
7	Forend Catch Retaining Pin	41	Top Lever Spring	75	Inertia Block Retaining Pin
8	Cocking Stud	42	Striker Retaining Rod	76	Recoil Pad
9	Retaining Pin Bushing	43	Stock Bolt Washer	77	Recoil Pad Screws
10	Delay Catch Frame	44	Stock Bolt	78	Recoil Pad Plugs
11	Delay Catch Spring	45	Sears	80	Buttplate
12	Spring Retaining Screw	46	Sear Springs	81	White Spacer
13	Forend Catch Retaining Pin	47	Bolt	82	Buttplate Screws
14	Delay Catch	48	Striker Lifter	83	Auto Safe Rod
15	Catch Stop Pin	49	Top Lever Trip	84	Selective Trigger
16	Catch Retaining Pin	50	Top Lever Trip Spring	85	Safe Button
17	Forend Wood	51	Cover Plate	86	Sears
18	Top Ejector	52	Cover Plate Retaining Pin	87	Top Barrel Sear Lifter
19	Bottom Ejector	53	Sear Retaining Pin	88	Bottom Barrel Sear Lifter
20	Ejector Plungers	54	Cocking Cam Retaining Pin	89	Back Trigger
21	Ejector Springs	55	Cocking Cam Return Spring	90	Front Trigger
22	Strikers	56	Cocking Cam	91	Barrels
23	Striker Return Springs	57	Mainspring Guides	92	Extractors
24	Safety Button Retaining Pin	58	Mainsprings	93	Extractor Stop Pin
25	Safety Button	59	Trigger Guard	94	Selector
26	Safety Spring	60	Trigger Guard Retaining Pin	95	Selector Spring Plunger
27	Safety Spring Retaining Pin	61	Tumbler Retaining Pin	96	Selector Spring
28	Barrels	62	Top Barrel Tumbler	97	Selective Safe Button
29	Ejector Trip Retaining Pins	63	Bottom Barrel Tumbler	98	Selector Retaining Pin
30	Ejector Trip, Top	64	Top Ejector Rod	99	Top Barrel Sear
31	Ejector Trip, Bottom	65	Bottom Ejector Rod	100	Bottom Barrel Sear
32	Ejector Trip Springs	66	Top Ejector Cam	101	Selective Inertia Block
33	Ejector Trip Plungers	67	Bottom Ejector Cam		
34	Bead Sight	68	Ejector Cam Retaining Pin		

82 Over/Under Shotgun



1	Barrels with Ventilated Rib	31	Safety Converting Rod	61	Trigger Inertia Block, Left
2	Right Ejector	32	Safety Pin	62	Single Trigger Inertia Block
3	Left Ejector	33	Hinge Pin	63	Tang Screw
4	Ejector Spring Pins	34	Safety Spring Pin	64	Inertia Block Spring
5	Ejector Retaining Pins	35	Top Lever Stud Spring Guide	65	Twin Trigger Inertia Block Plunger Pin
6	Ejector Springs	36	Top Lever Stud Spring	66	Single Trigger Inertia Block Plunger Pin
7	Ejector Retainer Springs	37	Top Lever Screw	67	Twin Trigger Inertia Block Pins
8	Forend Plate Screws	38	Firing Pin, Lower Barrel	68	Single Trigger Inertia Block Pin
9	Front Sight	39	Firing Pin, Top Barrel	69	Sear, Right
10	Forend Plate, Left	40	Firing Pin Springs	70	Sear, Left
11	Forend Plate, Right	41	Locking Plate Retainer	71	Sear Spring
12	Forend Bracket	42	Trigger Guard Pin	72	Sear Plunger
13	Takedown Lever	43	Firing Pin Retaining Pins	73	Safety Lever
14	Takedown Lever Latch Pins	44	Trigger Guard	74	Safety Lever Pin
15	Takedown Lever Latch Spring Screw	45	Rear Twin Trigger	75	Safety Lever Spring
16	Takedown Lever Latch Spring	46	Non-Selective Single Trigger	76	Buttplate Screws
17	Forend Wood	47	Front Twin Trigger	77	Buttplate
18	Takedown Lever Latch	48	Trigger Springs	78	Buttstock Bolt
19	Forend Screws	49	Hammer Rod Nut, Right	79	Buttstock Bolt Flat Washer
20	Right Ejector Lever	50	Hammer Rod Nut, Left	80	Stock Bolt Lock Washer
21	Left Ejector Lever	51	Hammer Rods	81	Stock
22	Ejector Lever Retaining Pins	52	Hammer, Right	82	Barrel Band Swivels
23	Ejector Lever Springs	53	Hammer, Left	83	Barrel Swivel Bands
24	Ejector Lever Plungers	54	Hammer Rod Pins	84	Stock Swivel Band Spacing Washer
25	Frame	55	Hammer Pin	85	Stock Swivel Screws
26	Locking Plate	56	Trigger Pin	86	Barrel Swivel Band Retaining Screws
27	Top Lever Cam	57	Trigger Guard Pins	87	Stock Swivel Supporting Screw
28	Top Lever	58	Trigger Spring, Left		
29	Safety Catch	59	Trigger Plunger Pin		
30	Safety Catch Spring	60	Trigger Inertia Block, Right		

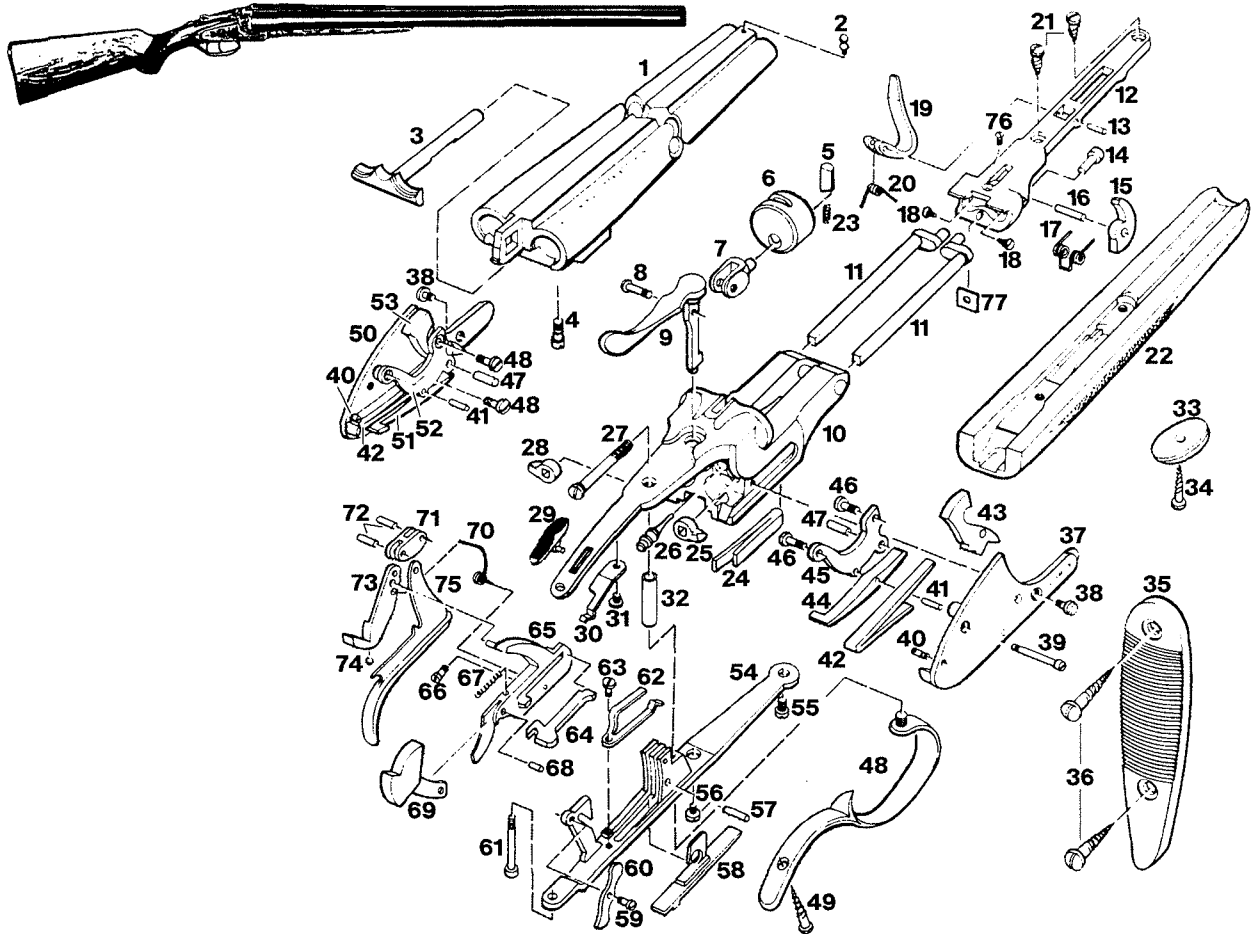
85 Over/Under Shotgun



1	Front Bead Sight	36	Firing Pin Springs	71	Stock Bolt Boss
2	Barrel Plate Screws	37	Locking Block	72	Trigger Housing
3	Left Barrel Plate	38	Locking Block Slide	73	Sear and Safety Block Pins
4	Right Barrel Plate	39	Firing Pin Retaining Pins	74	Hammer Pivot Pin
5	Barrels	40	Trigger Group Pin	75	Sear Connector, Lower
6	Bracket Screws	41	Barrel Pivot Pin	76	Sear Connector Springs
7	Swivel Brackets	42	Stock Bolt Washer	77	Sear Connector, Upper
8	Swivel Washer	43	Stock Bolt Lock Washer	78	Sear Connector Spring Plunger
9	Swivel Screws	44	Stock Bolt	79	Trigger Pivot Pin
10	Sling Swivels	45	Stock	80	Sear Connector Pin
11	Ejector Retainers	46	Buttplate	81	Upper Trigger
12	Retainer Spring	47	Buttplate Screws	82	Trigger Springs
13	Right Ejector Hammer	48	Sling Swivel Stud	83	Trigger Spring Plungers
14	Forend Iron Screws	49	Forend Release Latch Spring Screw	84	Lower Trigger
15	Left Ejector Hammer	50	Forend Release Housing	85	Inertia Block Pivot
16	Forend Iron	51	Forend Release Lever	86	Single Selective Trigger
17	Ejector Hammer Plunger Springs	52	Forend Release Lever Pins	87	Trigger Spring
18	Ejector Hammer Plungers	53	Forend Release Lever Spring	88	Inertia Block
19	Forend Wood	54	Right Hammer Spring Seat	89	Inertia Block Shaft
20	Ejector Hammer Pivot Pins	55	Left Hammer Spring Seat	90	Inertia Block Collar
21	Ejector Tip Rods	56	Hammer Springs	91	Safety Block
22	Ejector Trip Rod Springs	57	Hammer Spring Guides	92	Block Collar Spring
23	Top Ejector	58	Hammer Spring Guide Pins	93	Spring Ball
24	Bottom Ejector	59	Upper Hammer	94	Safety Retainer
25	Receiver	60	Lower Hammer	95	Collar Pin
26	Top Lever	61	Locking Block Lever	96	Connector Pin
27	Top Lever Retaining Pin	62	Block Lever Spring Guide	97	Safety Button Pin
28	Safety Button	63	Block Lever Spring	98	Safety Button/Barrel Selector
29	Safety Button Pin	64	Lower Hammer Sear	99	Sear, Lower
30	Top Tang Screw	65	Upper Hammer Sear	100	Sear Spring
31	Safety Button Spring	66	Sear Springs	101	Lower Hammer
32	Safety Button Spring Pin	67	Safety Block	102	Sear, Upper
33	Barrel Selector Rod	68	Sear Spring Plungers	103	Sear Pivot
34	Lower Firing Pin	69	Safety Block Plunger Spring	104	Upper Hammer
35	Upper Firing Pin	70	Safety Block Plunger		

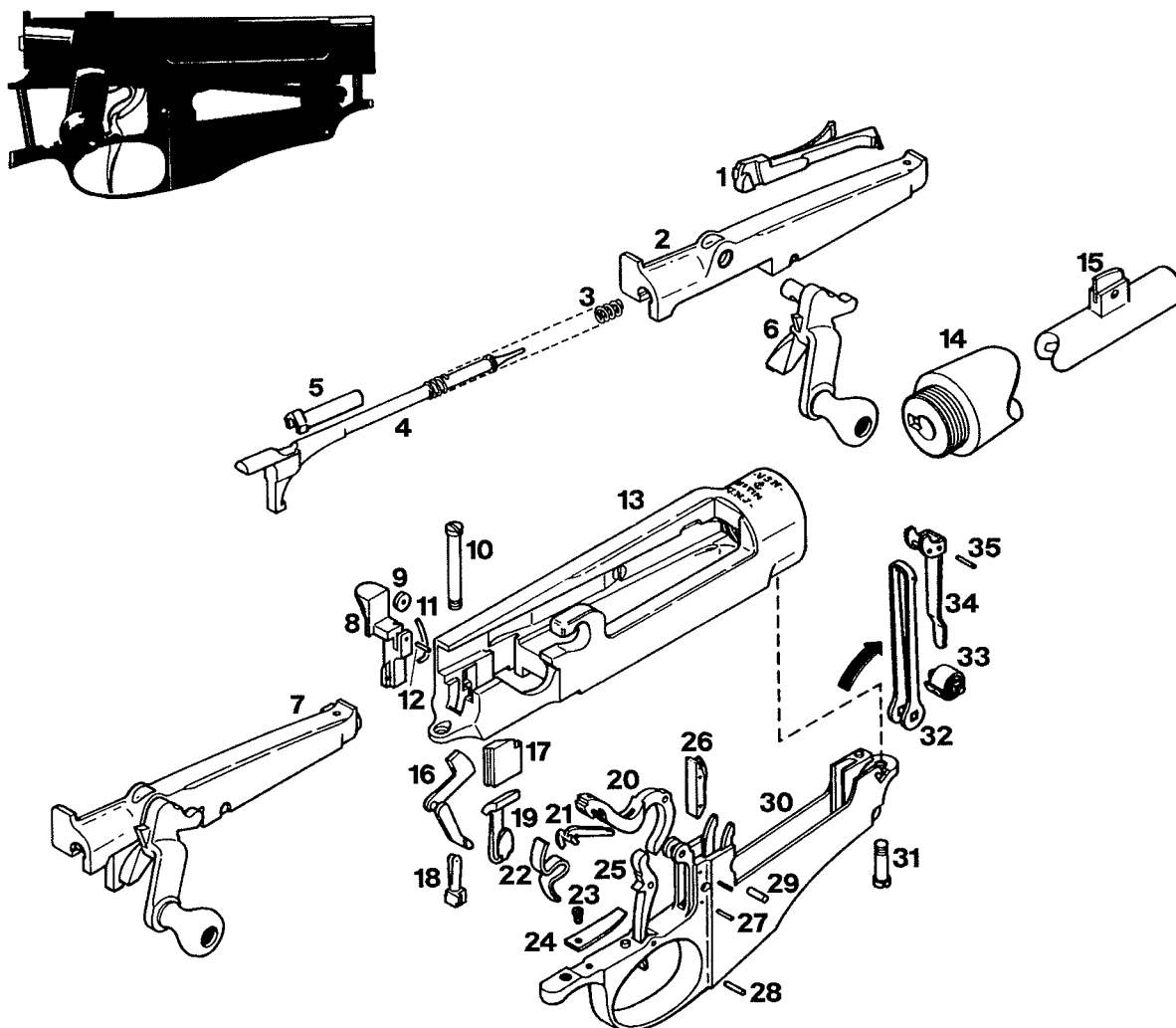
Double Side-by-Side Shotgun

Courtesy of Thomas E. Wessel



1	Barrel	28	Left Lifter	55	Trigger Plate Retaining Screw, Front
2	Front Sight	29	Safety Button and Pin	56	Top-Lever Screw
3	Extractor	30	Safety Spring	57	Trigger Pin
4	Extractor Screw	31	Safety Spring Screw	58	Selector
5	Trip	32	Trigger Plate Screw Bushing	59	Safety Stud Screw
6	Bolt	33	Grip Cap	60	Safety Stud
7	Coupler	34	Grip Cap Screw	61	Trigger Plate Retaining Screw, Rear
8	Coupler Screw	35	Buttplate	62	Selector Spring
9	Top-Lever	36	Buttplate Screws	63	Selector Spring Screw
10	Frame	37	Lockplate, Right	64	Sear Plate
11	Cocking Rods	38	Lockplate Retaining Screws	65	Firing Plate
12	Forend Iron	39	Lockplate Connector Screw	66	Spur Spring Screw
13	Forend Spring Pin	40	Mainspring Retaining Screw	67	Recoil Weight Spring
14	Extractor Actuator Bar	41	Sear Pins	68	Recoil Weight Pin
15	Extractor Actuator	42	Mainsprings	69	Recoil Weight
16	Extractor Actuator Pin	43	Hammer, Right	70	Spur Spring
17	Extractor Actuator Spring	44	Sear, Right	71	Spur Link
18	Rear Forend Screws	45	Bridle, Right	72	Spur Link Pins
19	Forend Spring	46	Bridle Screws	73	Spur
20	Forend Spring Retracting Spring	47	Hammer Pins	74	Spur Ball
21	Forend Screws	48	Trigger Guard	75	Trigger
22	Forend	49	Trigger Guard Screw	76	Cocking Plate Screw
23	Trip Spring	50	Lockplate, Left	77	Cocking Plate
24	Bolt Spring	51	Sear, Left	Parts Not Shown	
25	Right Lifter	52	Bridle, Left	Stock	
26	Firing Pins	53	Hammer, Left		
27	Trigger Plate Screw	54	Trigger Plate		

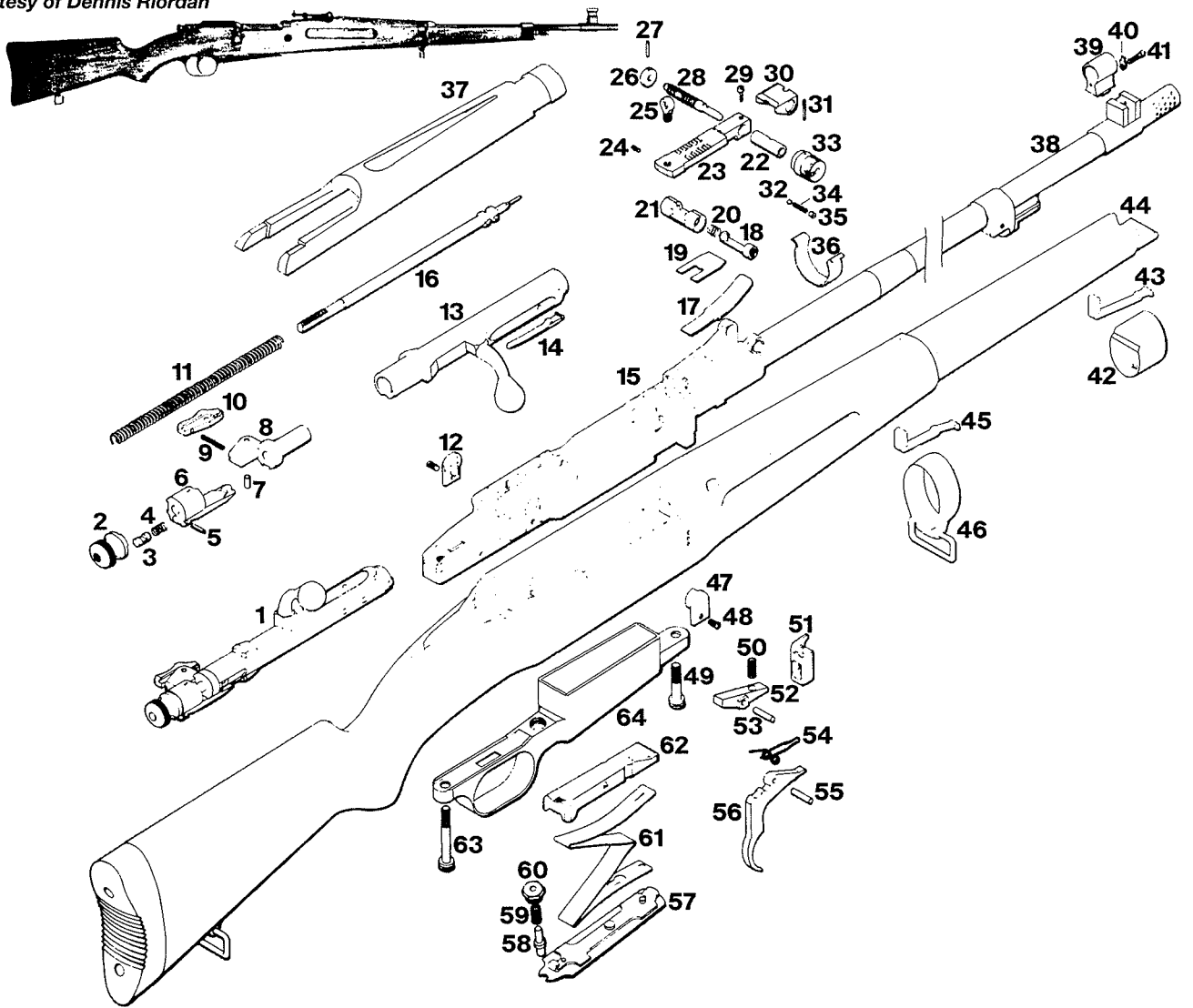
Straight-Pull Single Shot Rifle



- | | | | |
|----|--------------------|----|-----------------------|
| 1 | Extractor | 19 | Bolt Stop Thumb-Piece |
| 2 | Bolt Body | 20 | Sear |
| 3 | Firing Pin Spring | 21 | Sear Fly |
| 4 | Firing Pin | 22 | Sear Spring |
| 5 | Firing Pin Collar | 23 | Trigger Spring Screw |
| 6 | Bolt Handle | 24 | Trigger Spring |
| 7 | Bolt Assembly | 25 | Trigger |
| 8 | Safety Thumb-Piece | 26 | Clip Guide |
| 9 | Bolt Stop Roller | 27 | Clip Guide Rivets |
| 10 | Rear Action Screw | 28 | Trigger Pin |
| 11 | Bolt Stop Spring | 29 | Sear Axis Pin |
| 12 | Bolt Stop Pin | 30 | Trigger Guard |
| 13 | Receiver | 31 | Trigger Guard Screw |
| 14 | Barrel | 32 | Elevator Arm |
| 15 | Front Sight Blade | 33 | Elevator Spring |
| 16 | Bolt Stop Release | 34 | Follower |
| 17 | Bolt Stop | 35 | Follower/Elevator Pin |
| 18 | Lock Pin | | |

Model 1958 Bolt-Action Rifle

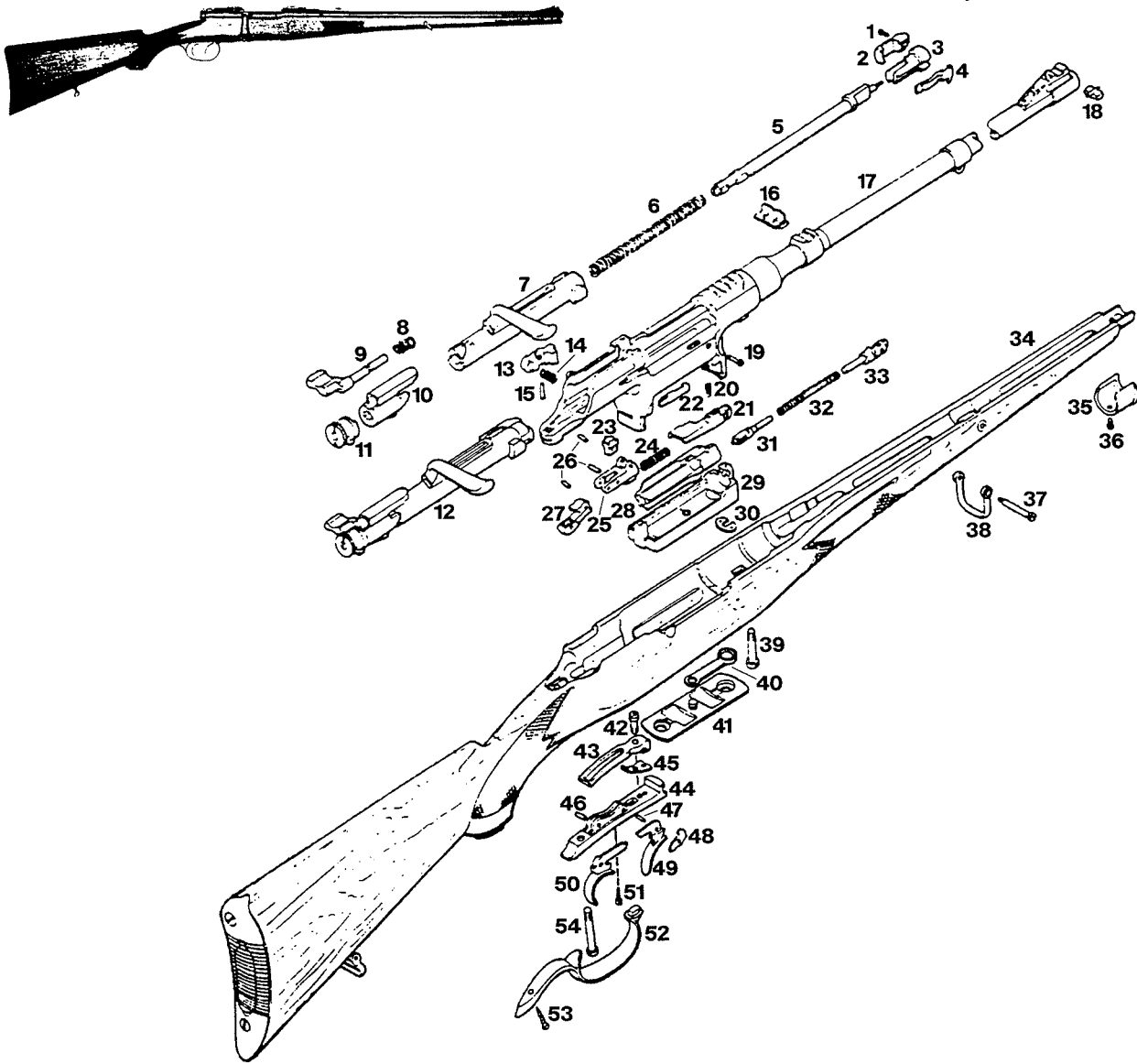
Courtesy of Dennis Riordan



1	Assembled Bolt	23	Sight Leaf	45	Lower Band Spring
2	Firing Pin Nut	24	Aperture Set Screw	46	Lower Band
3	Nut Retainer	25	Aperture	47	Right Locking Seat
4	Nut Retainer Spring	26	Windage Screw Flange	48	Locking Seat Screws
5	Nut Retainer Pin	27	Flange Pin	49	Front Guard Screw
6	Cocking Piece	28	Windage Screw	50	Sear Spring
7	Safety Catch Pin	29	Leaf Bushing Lock Screw	51	Ejector Bolt Stop
8	Safety	30	Windage Scale	52	Sear
9	Safety Catch Spring	31	Windage Knob Pin	53	Sear Pin
10	Safety Catch	32	Windage Index Ball	54	Ejector Spring
11	Firing Pin Spring	33	Windage Knob	55	Trigger Pin
12	Left Locking Seat	34	Index Spring	56	Trigger
13	Bolt	35	Index Spring Plug	57	Magazine Floorplate
14	Extractor	36	Handguard Clamp	58	Floorplate Catch
15	Receiver	37	Handguard	59	Floorplate Catch Spring
16	Firing Pin	38	Barrel	60	Floorplate Catch Guide Bushing
17	Rear Sight Leaf Spring	39	Front Sight Hood	61	Magazine Spring
18	Sight Slide Catch	40	Sight Post	62	Magazine Follower
19	Left Spring Keeper	41	Sight Post Lock Screw	63	Rear Guard Screw
20	Sight Slide Spring	42	Upper Band	64	Trigger Guard
21	Sight Slide	43	Upper Band Spring		
22	Sight Leaf Bushing	44	Stock		

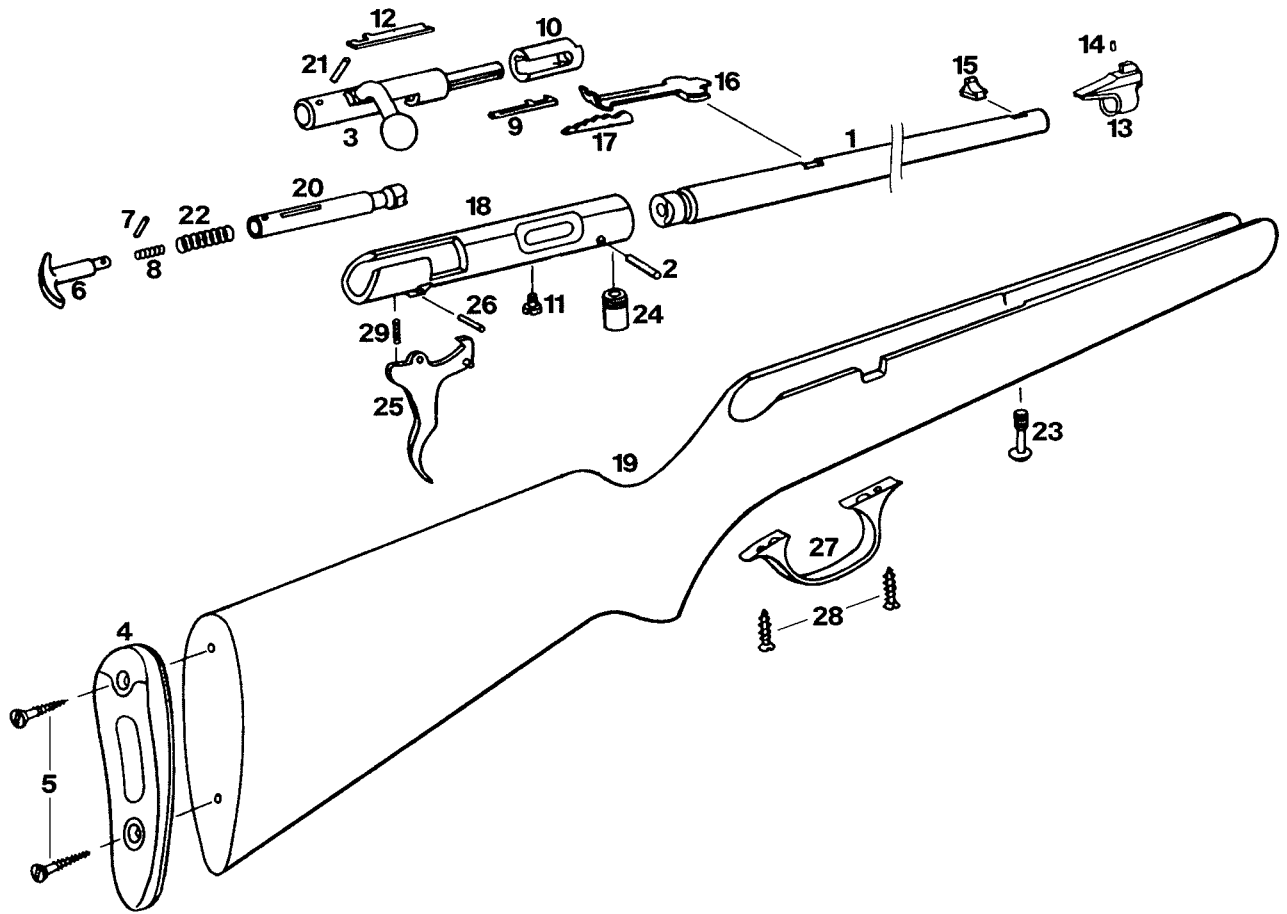
Model 1903, 1905, 1908 and 1910 Bolt-Action Rifle

Courtesy of Blacksmith Corporation



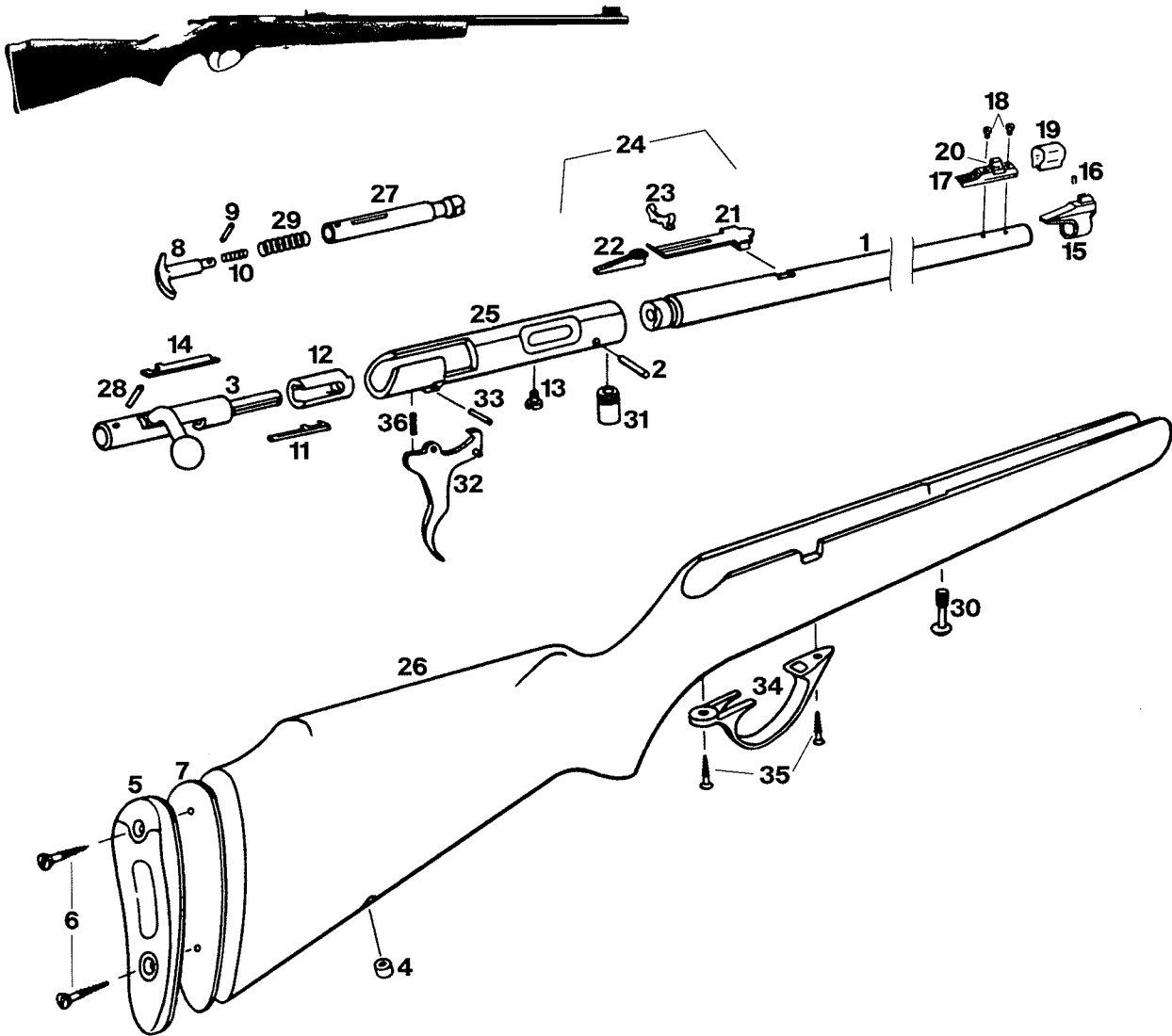
1	Ejector Screw	19	Cartridge Stop Screw	37	Front Swivel Screw
2	Ejector	20	Cartridge Stop Spring	38	Front Swivel
3	Bolt Head	21	Cartridge Stop	39	Front Receiver Screw
4	Extractor	22	Bolt Tension Spring	40	Floorplate Spring
5	Firing Pin	23	Sear	41	Floorplate
6	Firing Pin Spring	24	Sear Spring	42	Set Trigger Mainspring Screw
7	Bolt	25	Sear Carrier	43	Set Trigger Mainspring
8	Safety Catch Spring	26	Sear Pins	44	Set Trigger Housing
9	Safety Catch	27	Trigger Connection	45	Set Trigger Sear Spring
10	Cocking Piece	28	Magazine Follower	46	Trigger Pin, Rear
11	Firing Pin Nut	29	Magazine Box	47	Trigger Pin, Front
12	Bolt	30	Floorplate Spring Retainer	48	Trigger Sear
13	Bolt Stop	31	Rear Magazine Bearing	49	Front Trigger
14	Bolt Stop Spring	32	Magazine Spring	50	Rear Trigger
15	Bolt Stop Pin	33	Front Magazine Bearing	51	Adjusting Screw
16	Rear Sight	34	Carbine Stock	52	Trigger Guard
17	Barrel and Receiver	35	Forend Cap	53	Trigger Guard Screw
18	Front Sight	36	Forend Cap Screw	54	Rear Receiver Screw

Model 10 Bolt-Action Rifle



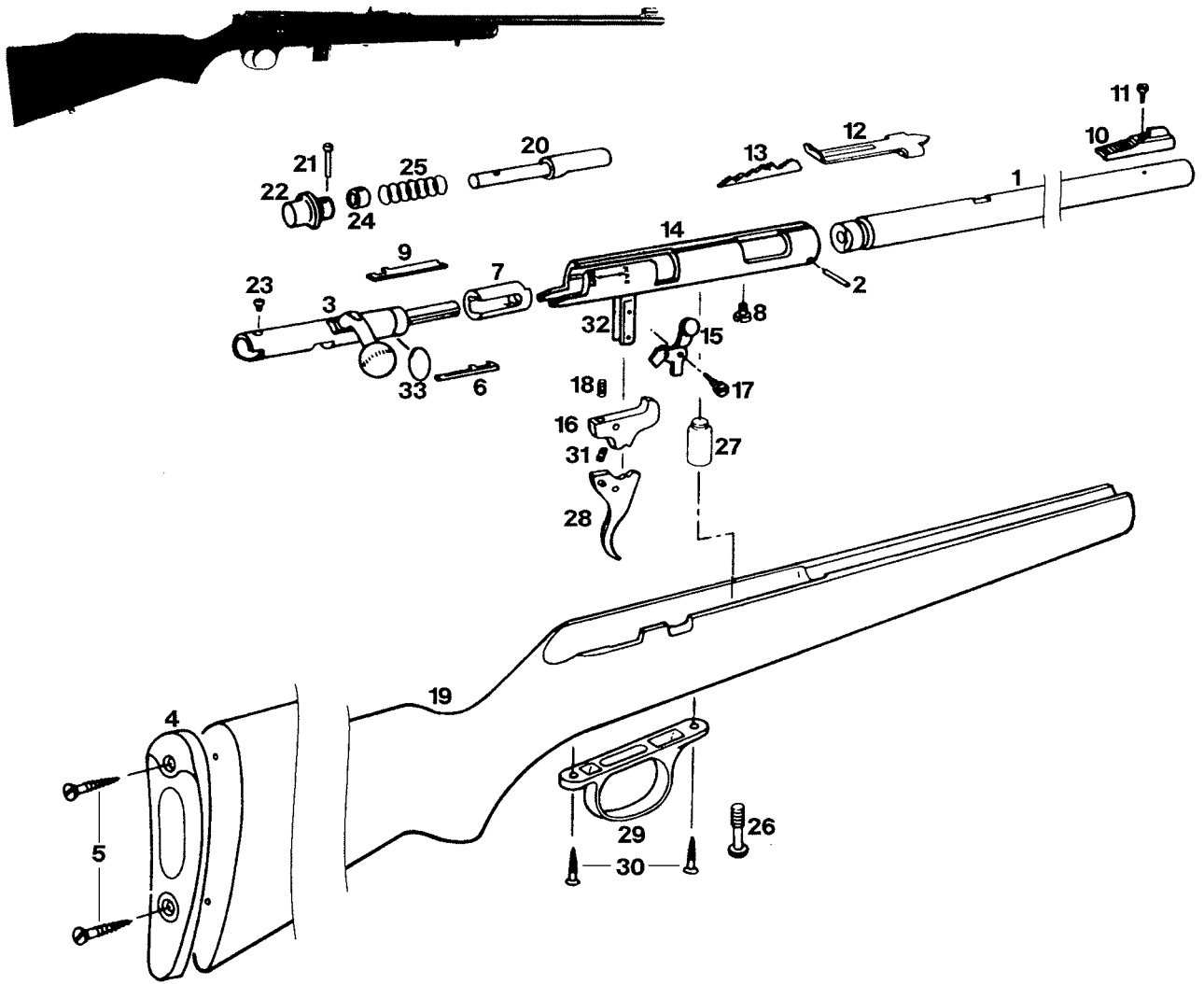
1	Barrel	16	Rear Sight with Elevator
2	Barrel Retaining Pin	17	Rear Sight Elevator
3	Breechbolt	18	Receiver
4	Buttplate	19	Stock
5	Buttplate Screws	20	Striker
6	Cocking Knob	21	Striker Pin
7	Cocking Knob Pin	22	Striker Spring
8	Cocking Knob Spring	23	Takedown Screw
9	Extractor	24	Takedown Screw Stud
10	Feed Throat	25	Trigger
11	Feed Throat Screw	26	Trigger Pin
12	Firing Pin	27	Trigger Guard
13	Front Sight Complete	28	Trigger Guard Screws
14	Front Sight Binding Screw	29	Trigger Spring
15	Front Sight		

Model 101 and Glenfield 10 Bolt-Action Rifle



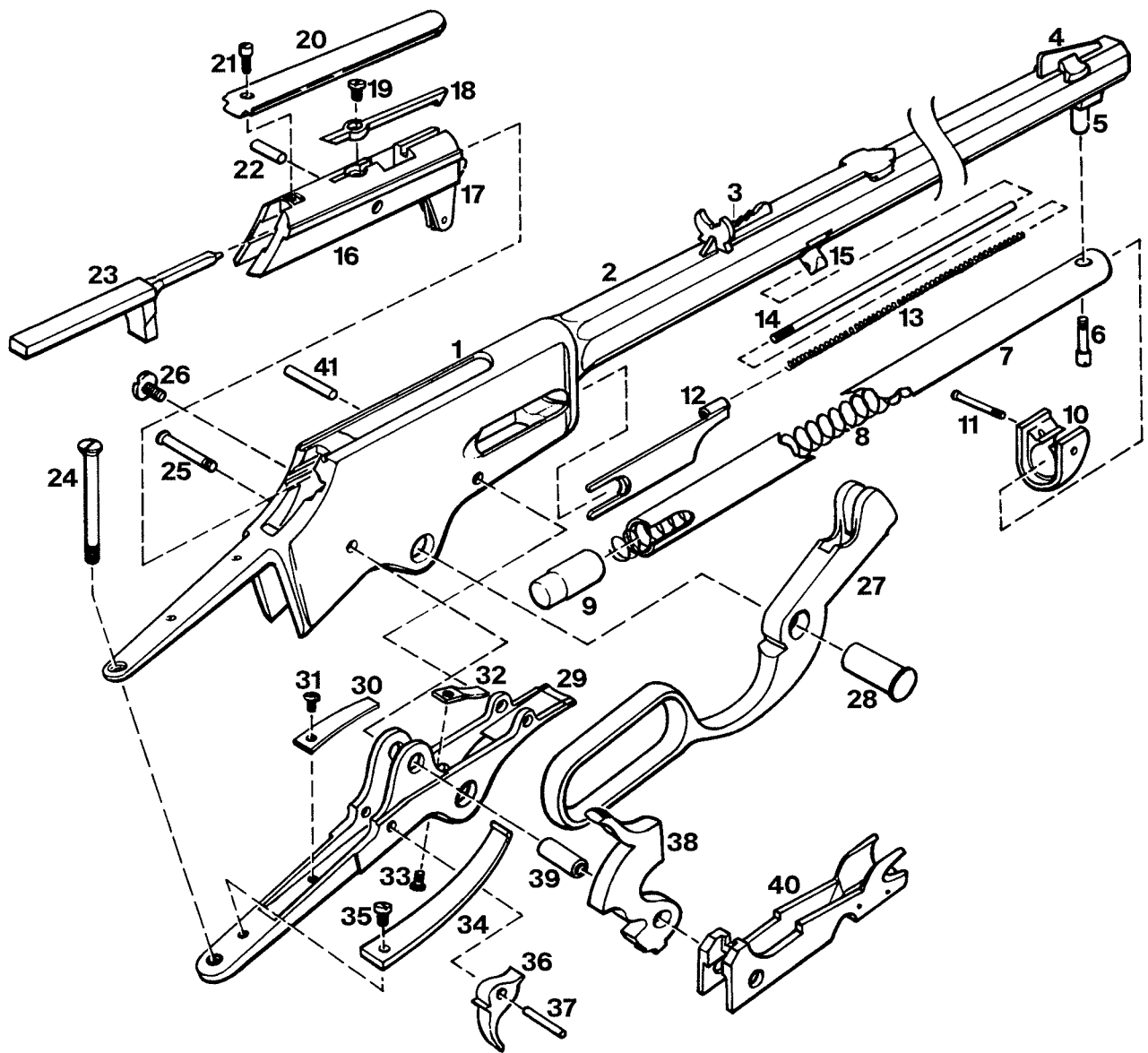
1	Barrel	13	Feed Throat Screw	25	Receiver
2	Barrel Retaining Pin	14	Firing Pin	26	Stock
3	Breech Bolt	15	Front Sight	27	Striker
4	Bullseye	16	Front Sight Binding Screw	28	Striker Pin
5	Buttplate with Spacer	17	Front Sight Base	29	Striker Spring
6	Buttplate Screws	18	Front Sight Base Screws	30	Takedown Screw
7	Buttplate Spacer	19	Front Sight Hood	31	Takedown Screw Stud
8	Cocking Knob	20	Front Sight Insert	32	Trigger
9	Cocking Knob Pin	21	Rear Sight Base	33	Trigger Pin
10	Cocking Knob Spring	22	Rear Sight Elevator	34	Trigger Guard
11	Extractor	23	Rear Sight Folding Leaf	35	Trigger Guard Screws
12	Feed Throat	24	Rear Sight Complete	36	Trigger Spring

Model 15YN Little Buckaroo Bolt-Action Rifle



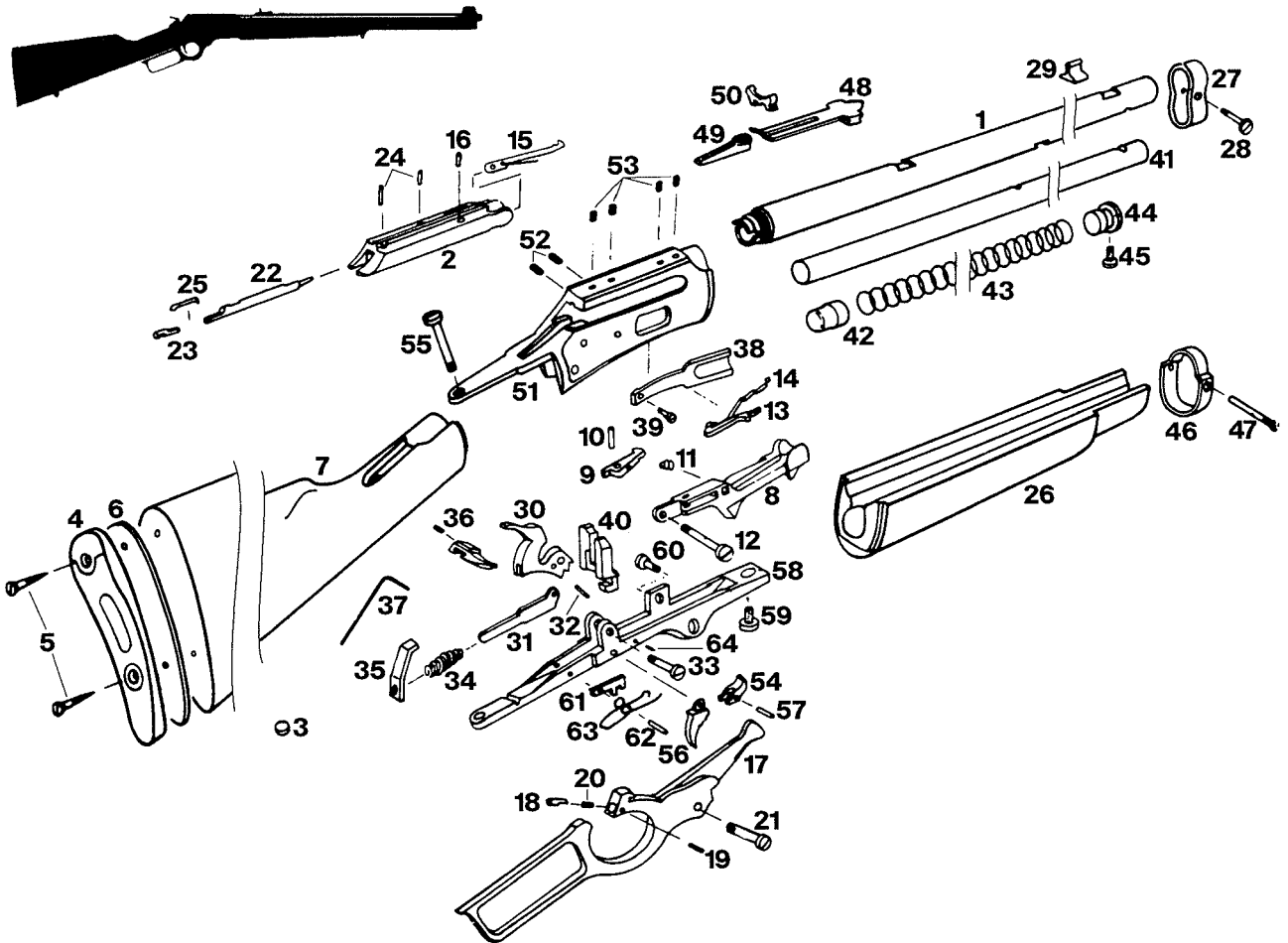
1	Barrel	18	Sear Spring
2	Barrel Retaining Pin	19	Stock
3	Breechbolt	20	Striker
4	Buttplate	21	Striker Cam Pin
5	Buttplate Screws	22	Striker Knob
6	Extractor	23	Striker Retaining Screw
7	Feed Throat	24	Striker Sleeve
8	Feed Throat Screw	25	Striker Spring
9	Firing Pin	26	Takedown Screw
10	Front Sight	27	Takedown Screw Stud
11	Front Sight Screw	28	Trigger
12	Rear Sight Complete	29	Trigger Guard
13	Rear Sight Elevator	30	Trigger Guard Screws
14	Receiver	31	Trigger Spring
15	Safety Assembly	32	Trigger Stud
16	Sear	33	Firing Pin Retaining Spring
17	Sear and Safety Pivot Screw		

Model 1881 Lever-Action Rifle



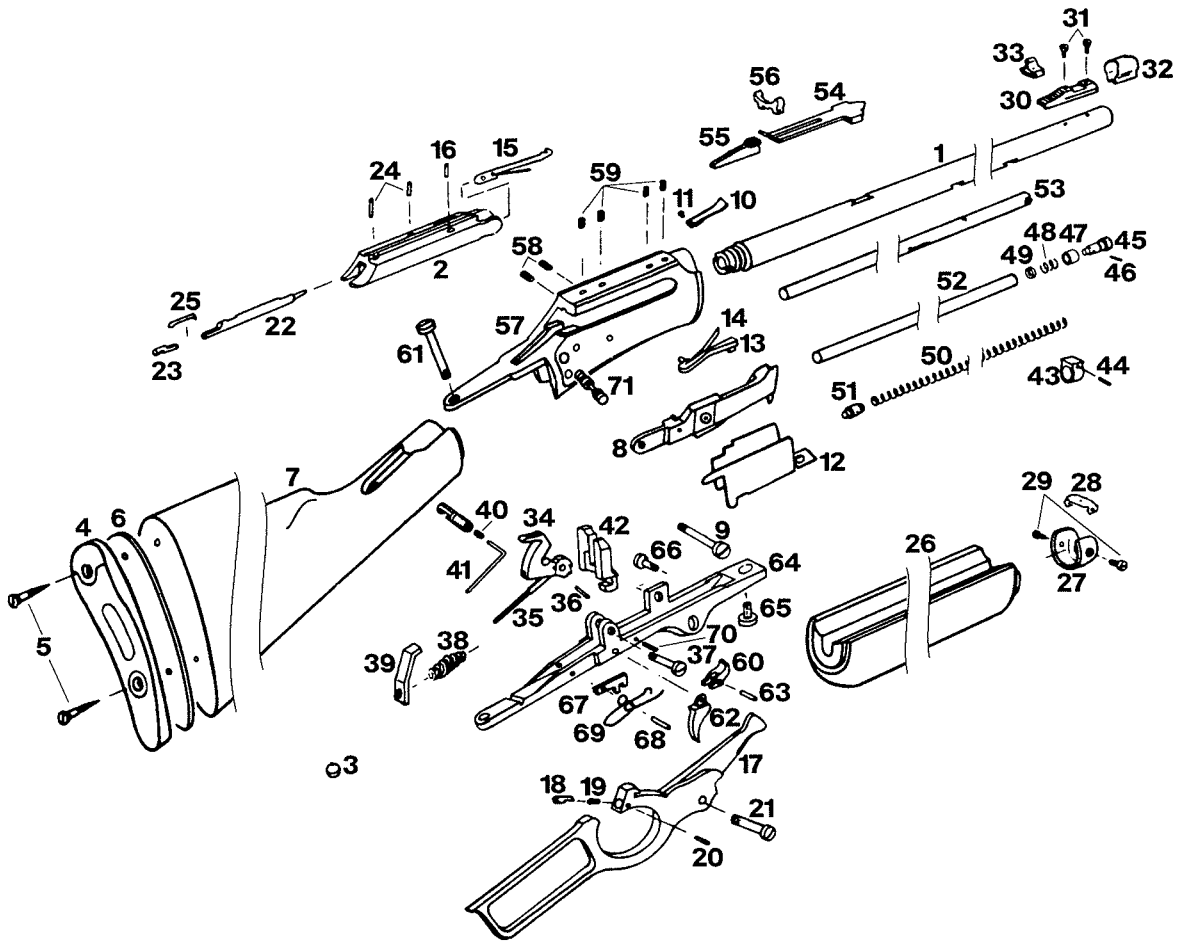
1	Receiver	17	Ejector	33	Lever Spring Screw
2	Barrel	18	Extractor	34	Mainspring
3	Rear Sight Assembly	19	Extractor Screw	35	Mainspring Screw
4	Front Sight	20	Dust Cover	36	Trigger
5	Magazine Tube Stud	21	Dust Cover Screw	37	Trigger Pin
6	Magazine Tube Stud Screw	22	Firing Pin Retaining Pin	38	Hammer
7	Magazine Tube	23	Firing Pin	39	Hammer Bushing
8	Magazine Spring	24	Tang Screw	40	Carrier Block Assembly
9	Magazine Follower	25	Hammer Screw	41	Trigger Strap Pin
10	Forend Tip	26	Lever Pin Screw	Parts Not Shown	
11	Forend Tip Screw	27	Lever	Buttstock	
12	Loading Port Cover	28	Lever Pin	Buttplate	
13	Cover Spring	29	Trigger Strap	Buttplate Screws	
14	Cover Spring Guide	30	Trigger Spring	Forend	
15	Cover Spring Abutment	31	Trigger Spring Screw		
16	Bolt	32	Lever Spring		

Model 1894, 1894C, 1894CS and 1894S Lever-Action Carbine



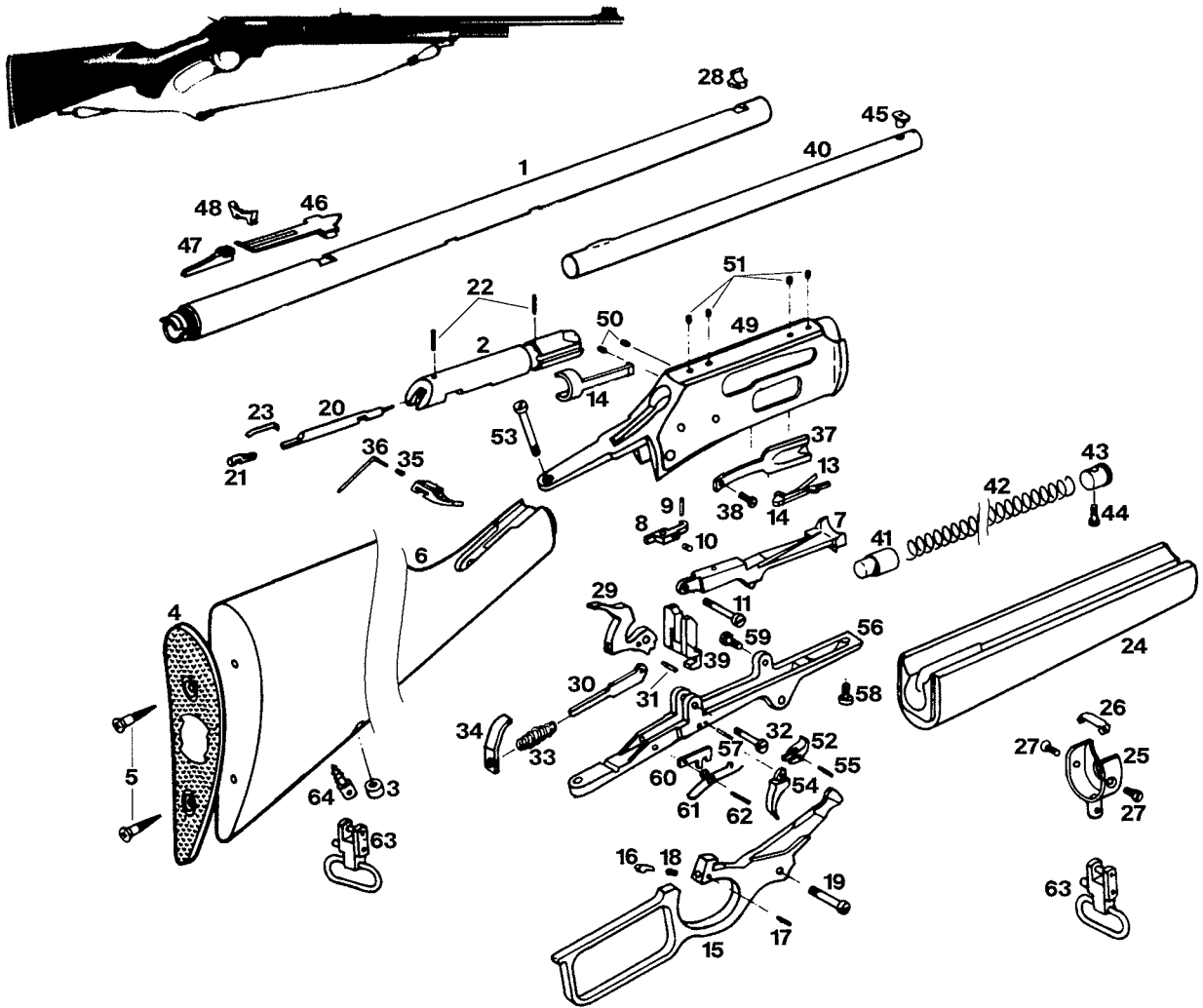
1	Barrel	23	Firing Pin, Rear	45	Magazine Tube Plug Screw
2	Breechbolt	24	Firing Pin Retaining Pins	46	Rear Band
3	Bullseye	25	Firing Pin Spring	47	Rear Band Screw
4	Buttplate	26	Forearm	48	Rear Sight Base
5	Buttplate Screws	27	Front Band	49	Rear Sight Elevator
6	Buttplate Spacer	28	Front Band Screw	50	Rear Sight Folding Leaf
7	Buttstock Complete	29	Front Sight with Brass Bead	51	Receiver
8	Carrier	30	Hammer	52	Peep Sight Dummy Screws
9	Carrier Rocker	31	Hammer Strut	53	Scope Mount Dummy Screws
10	Carrier Rocker Pin	32	Hammer Strut Pin	54	Sear
11	Carrier Rocker Spring	33	Hammer Screw	55	Tang Screw
12	Carrier Screw	34	Hammer Spring	56	Trigger
13	Ejector	35	Hammer Spring Adjusting Plate	57	Trigger and Sear Pin
14	Ejector Spring	36	Hammer Spur Screw	58	Trigger Guard Plate
15	Extractor with Spring	37	Hammer Spur Wrench	59	Trigger Guard Plate Screw
16	Extractor Retaining Pin	38	Loading Spring	60	Trigger Guard Plate Support Screw
17	Finger Lever	39	Loading Spring Screw	61	Trigger Safety Block
18	Finger Lever Plunger	40	Locking Bolt	62	Trigger Safety Block Pin
19	Finger Lever Plunger Pin	41	Magazine Tube	63	Trigger Safety Block Spring
20	Finger Lever Plunger Spring	42	Magazine Tube Follower	64	Trigger Guard Plate Latch Pin
21	Finger Lever Screw	43	Magazine Tube Follower Spring		
22	Firing Pin, Front	44	Magazine Tube Plug		

Model 1894M Lever-Action Rifle



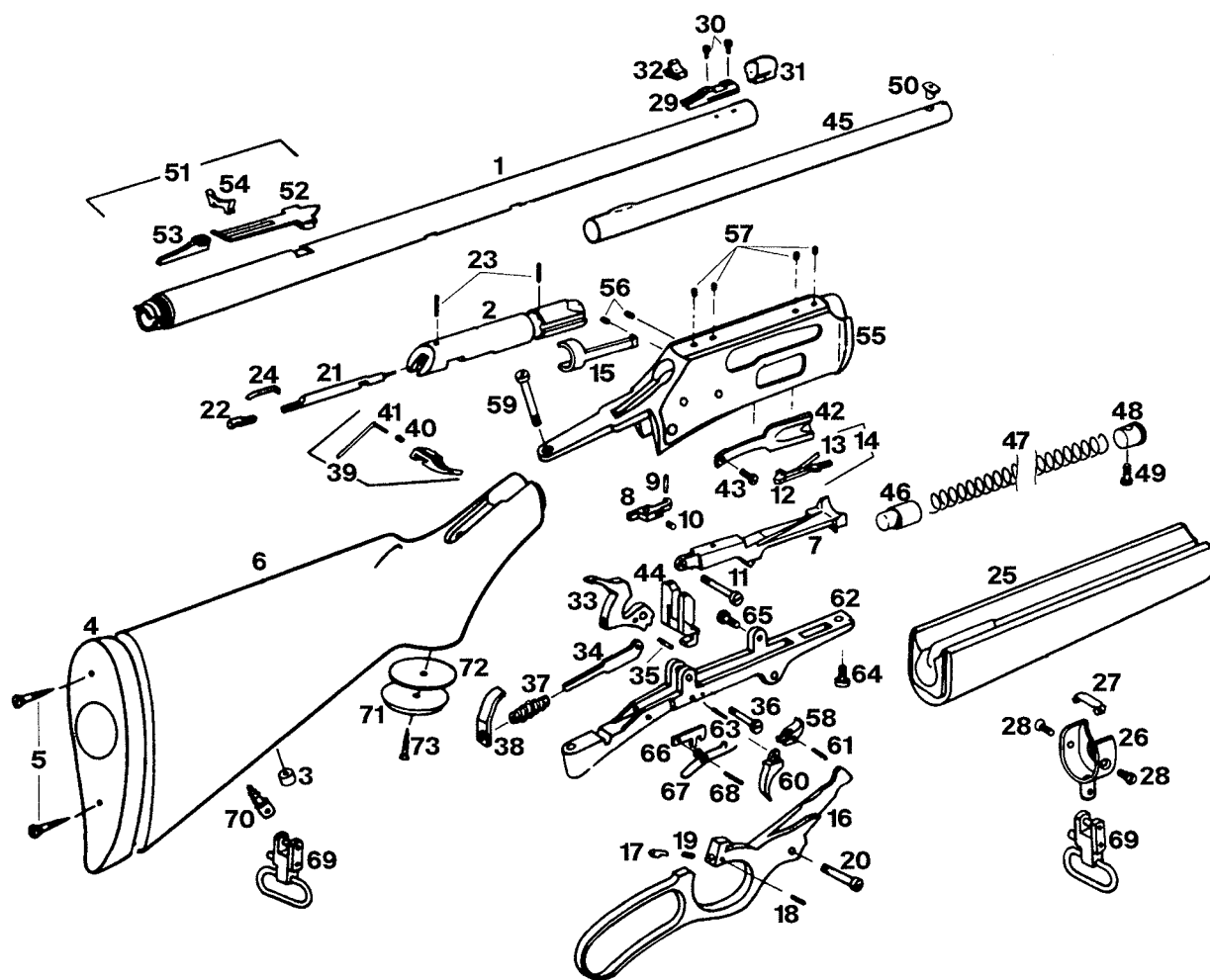
1	Barrel	25	Firing Pin Spring	49	Magazine Tube Plug Bushing
2	Breechbolt	26	Forearm	50	Magazine Tube Spring
3	Bullseye	27	Forearm Tip	51	Magazine Tube Follower
4	Buttplate with Spacer	28	Forearm Tip Tenon	52	Inside Magazine Tube
5	Buttplate Screws	29	Forearm Tip Tenon Screws	53	Outside Magazine Tube
6	Buttplate Spacer	30	Front Sight Ramp Base	54	Rear Sight Base
7	Buttstock Assembly	31	Front Sight Ramp Base Screws	55	Rear Sight Elevator
8	Carrier Assembly	32	Front Sight Ramp Hood	56	Rear Sight Folding Leaf
9	Carrier Screw	33	Front Sight Ramp Insert	57	Receiver
10	Cartridge Guide, Upper	34	Hammer	58	Peep Sight Dummy Screws
11	Cartridge Guide Screw, Upper	35	Hammer Strut	59	Scope Mount Dummy Screws
12	Cartridge Guide, Inner	36	Hammer Strut Pin	60	Sear
13	Ejector	37	Hammer Screw	61	Tang Screw
14	Ejector Spring	38	Mainspring	62	Trigger
15	Extractor with Spring	39	Hammer Spring Adjusting Plate	63	Trigger and Sear Pin
16	Extractor Retaining Pin	40	Hammer Spur Screw	64	Trigger Guard Plate
17	Finger Lever	41	Hammer Spur Wrench	65	Trigger Guard Plate Screw
18	Finger Lever Plunger	42	Locking Bolt	66	Trigger Guard Plate Support Screw
19	Finger Lever Plunger Spring	43	Magazine Tube Band	67	Trigger Safety Block
20	Finger Lever Plunger Pin	44	Magazine Tube Band Pin	68	Trigger Safety Block Pin
21	Finger Lever Screw	45	Magazine Tube Plug	69	Trigger Safety Block Spring
22	Firing Pin, Front	46	Magazine Tube Plug Pin	70	Trigger Guard Plate Latch Pin
23	Firing Pin, Rear	47	Magazine Tube Plug Cap	71	Safety Button Assembly
24	Firing Pin, Retaining Pins	48	Magazine Tube Plug Spring		

Model 1895 Lever-Action Rifle



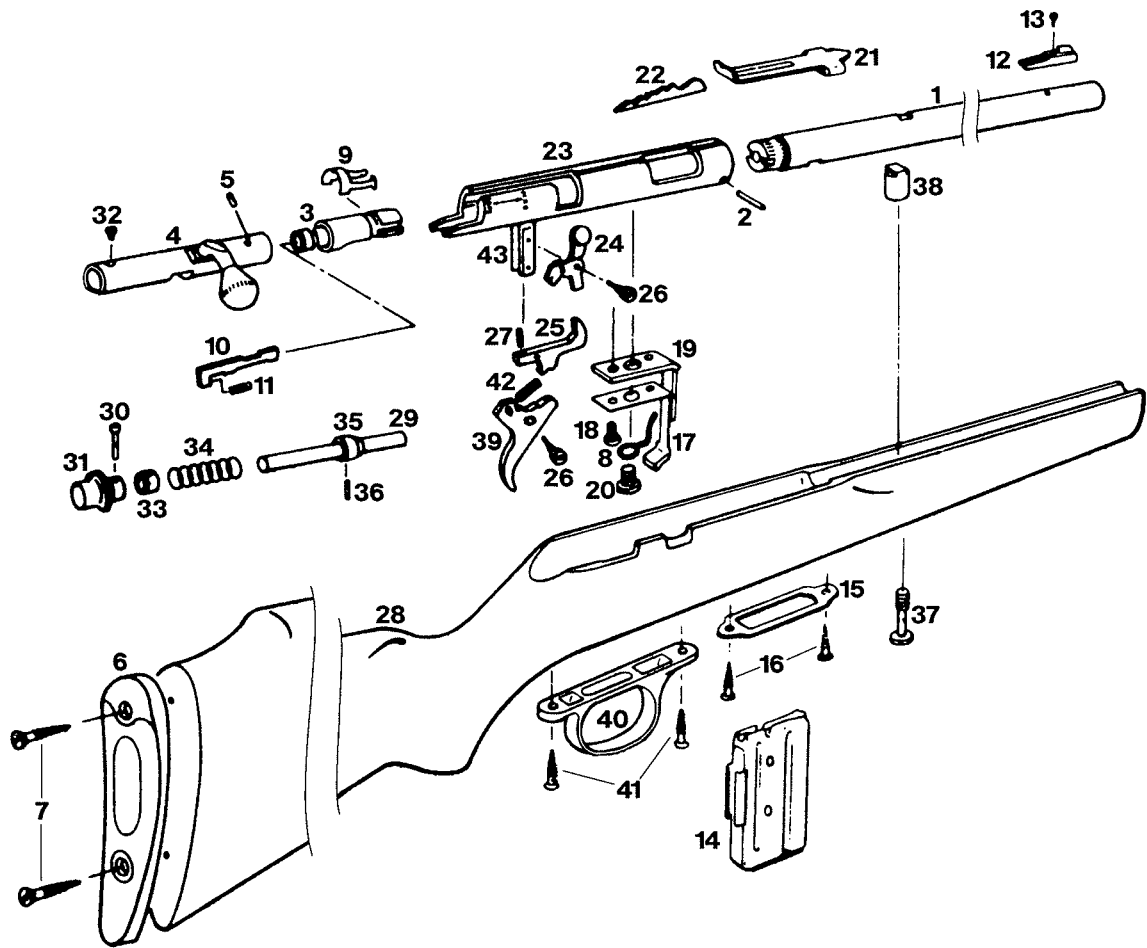
1	Barrel	23	Firing Pin Spring	45	Magazine Tube Stud
2	Breechbolt	24	Forearm	46	Rear Sight Base
3	Bullseye	25	Forearm Tip with Swivel Stud	47	Rear Sight Elevator
4	Buttplate	26	Forearm Tip Tenon	48	Rear Sight Folding Leaf
5	Buttplate Screws	27	Forearm Tip Tenon Screws	49	Receiver
6	Buttstock Complete	28	Front Sight with Brass Bead	50	Peep Sight Dummy Screws
7	Carrier	29	Hammer	51	Scope Mount Dummy Screws
8	Carrier Rocker	30	Hammer Strut	52	Sear
9	Carrier Rocker Pin	31	Hammer Strut Pin	53	Tang Screw
10	Carrier Rocker Spring	32	Hammer Screw	54	Trigger
11	Carrier Screw	33	Mainspring	55	Trigger and Sear Pin
12	Ejector	34	Hammer Spring Adjusting Plate	56	Trigger Guard Plate
13	Ejector Spring	35	Hammer Spur Screw	57	Trigger Guard Plate Latch Pin
14	Extractor	36	Hammer Spur Wrench	58	Trigger Guard Plate Screw
15	Finger Lever	37	Loading Spring	59	Trigger Guard Plate Support Screw
16	Finger Lever Plunger	38	Loading Spring Screw	60	Trigger Safety Block
17	Finger Lever Plunger Pin	39	Locking Bolt	61	Trigger Safety Spring
18	Finger Lever Plunger Spring	40	Magazine Tube	62	Trigger Safety Block Pin
19	Finger Lever Screw	41	Magazine Tube Follower	63	Swivels
20	Firing Pin, Front	42	Magazine Tube Follower Spring	64	Swivel Stud
21	Firing Pin, Rear	43	Magazine Tube Plug		
22	Firing Pin Retaining Pins	44	Magazine Tube Plug Screw		

Model 1895S and 1895SS Lever-Action Rifle



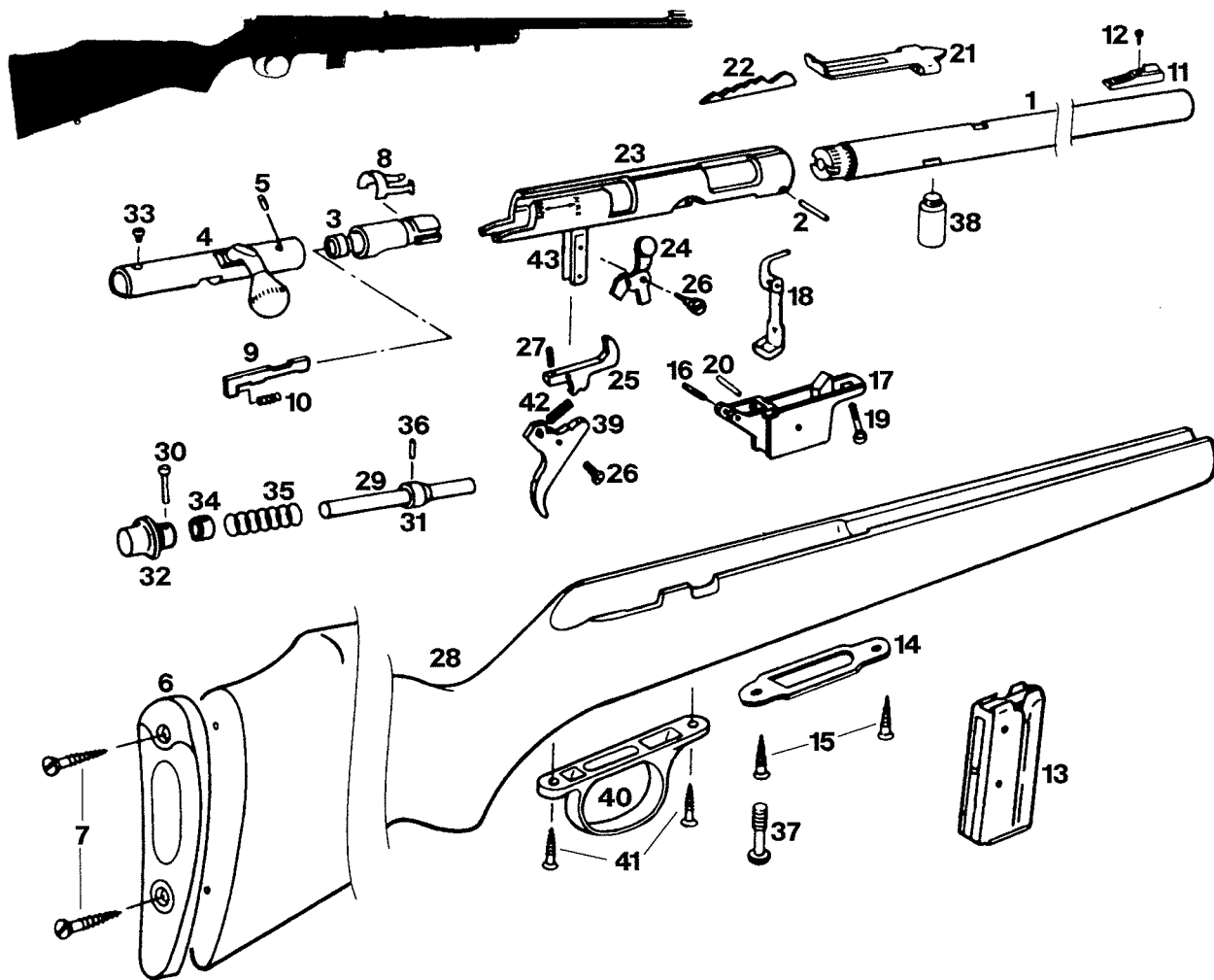
1	Barrel	26	Forearm Tip with Swivel Stud	51	Rear Sight Complete
2	Breechbolt	27	Forearm Tip Tenon	52	Rear Sight Base
3	Bullseye	28	Forearm Tip Tenon Screws	53	Rear Sight Elevator
4	Buttpad with Spacers	29	Front Sight Base	54	Rear Sight Folding Leaf
5	Buttpad Screws	30	Front Sight Base Screws	55	Receiver
6	Buttstock	31	Front Sight Hood	56	Peep Sight Dummy Screws
7	Carrier	32	Front Sight Insert	57	Scope Mount Dummy Screws
8	Carrier Rocker	33	Hammer	58	Sear
9	Carrier Rocker Pin	34	Hammer Strut	59	Tang Screw
10	Carrier Rocker Spring	35	Hammer Strut Pin	60	Trigger
11	Carrier Screw	36	Hammer Screw	61	Trigger and Sear Pin
12	Ejector	37	Hammer Spring	62	Trigger Guard Plate
13	Ejector Spring	38	Hammer Spring Adjusting Plate	63	Trigger Guard Plate Latch Pin
14	Ejector with Spring	39	Hammer Spur	64	Trigger Guard Plate Screw
15	Extractor	40	Hammer Spur Screw	65	Trigger Guard Plate Support Screw
16	Finger Lever	41	Hammer Spur Wrench	66	Trigger Safety Block
17	Finger Lever Plunger	42	Loading Spring	67	Trigger Safety Spring
18	Finger Lever Plunger Pin	43	Loading Spring Screw	68	Trigger Spring Pin
19	Finger Lever Plunger Spring	44	Locking Bolt	69	Swivels
20	Finger Lever Screw	45	Magazine Tube	70	Swivel Stud
21	Firing Pin, Front	46	Magazine Tube Follower	71	Pistol Grip Cap
22	Firing Pin, Rear	47	Magazine Tube Follower Spring	72	Pistol Grip Cap Spacer
23	Firing Pin Retaining Pins	48	Magazine Tube Plug	73	Pistol Grip Cap Screw
24	Firing Pin Spring	49	Magazine Tube Plug Screw		
25	Forearm	50	Magazine Tube Stud		

Model 25MN Bolt-Action Rifle



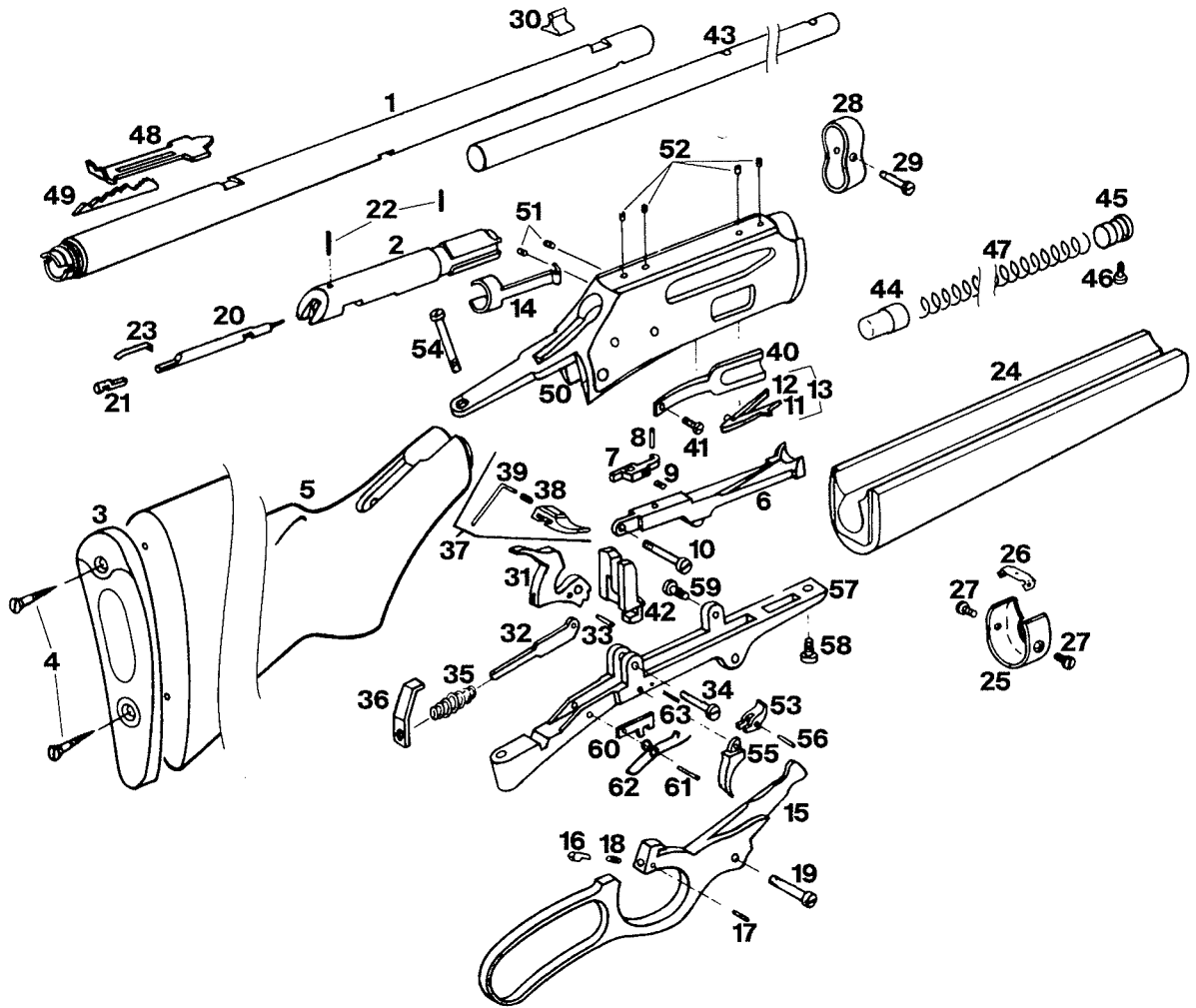
1	Barrel	22	Rear Sight Elevator
2	Barrel Retaining Pin	23	Receiver
3	Breechbolt, Front	24	Safety Assembly
4	Breechbolt, Rear	25	Sear
5	Breechbolt Assembly Pin	26	Trigger and Safety Pivot Screws
6	Buttplate	27	Sear Spring
7	Buttplate Screws	28	Stock
8	Ejector	29	Striker
9	Extractor	30	Striker Cam Pin
10	Firing Pin	31	Striker Knob
11	Firing Pin Spring	32	Striker Retaining Screw
12	Front Sight	33	Striker Sleeve
13	Front Sight Screw	34	Striker Spring
14	Magazine	35	Striker Cam Bushing
15	Magazine Guard Plate	36	Striker Assembly Pin
16	Magazine Guard Plate Screws	37	Takedown Screw
17	Magazine Latch	38	Takedown Screw Stud
18	Magazine Latch Screw	39	Trigger
19	Magazine Mounting Bracket	40	Trigger Guard
20	Magazine Mounting Bracket Screw	41	Trigger Guard Screws
21	Rear Sight	42	Trigger Spring
		43	Trigger Stud

Model 25N Bolt-Action Rifle



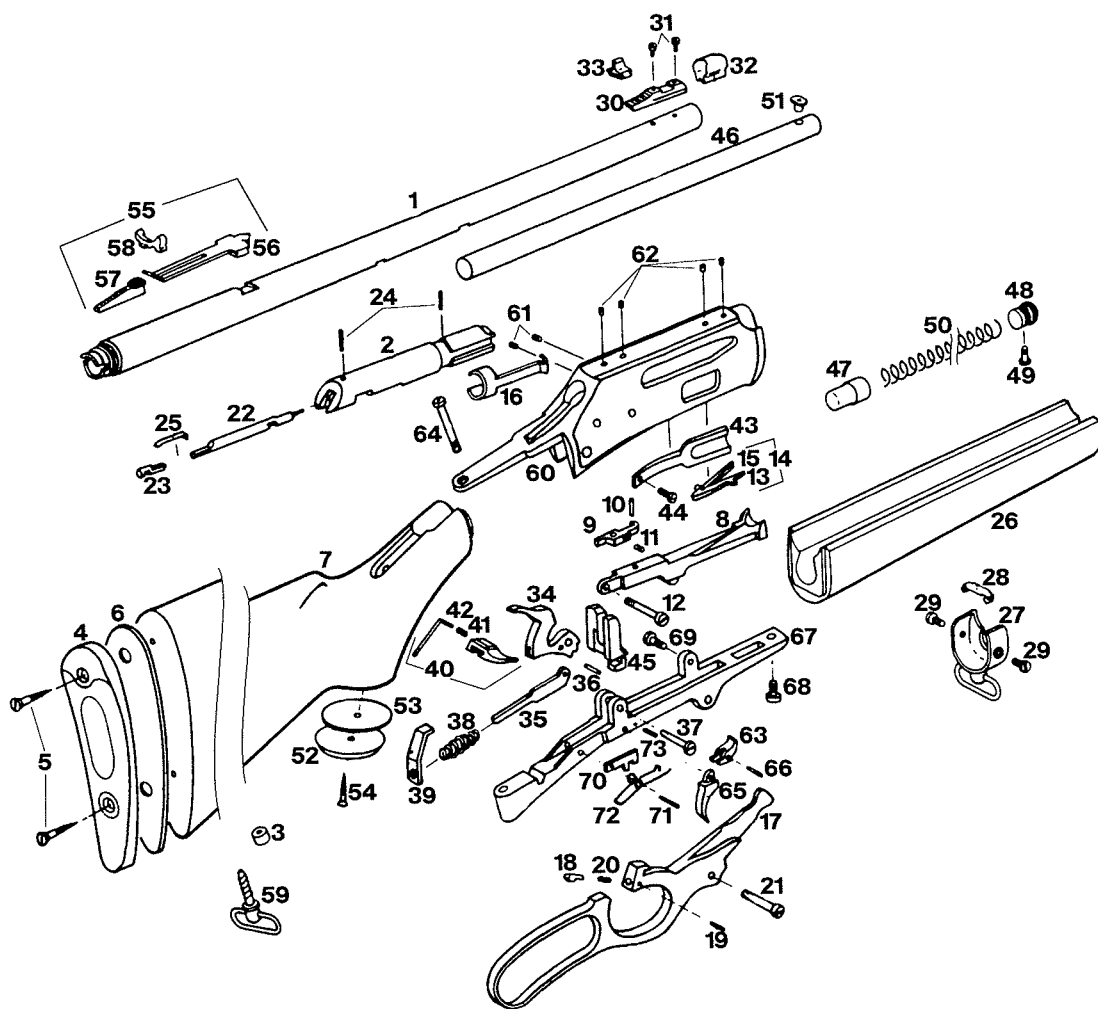
1	Barrel	22	Rear Sight Elevator
2	Barrel Retaining Pin	23	Receiver
3	Breechbolt, Front	24	Safety Assembly
4	Breechbolt, Rear	25	Sear
5	Breechbolt Assembly Pin	26	Sear and Safety Pivot Screws
6	Buttplate	27	Sear Spring
7	Buttplate Screws	28	Stock
8	Extractor	29	Striker
9	Firing Pin	30	Striker Cam Pin
10	Firing Pin Spring	31	Striker Cam Bushing
11	Front Sight	32	Striker Knob
12	Front Sight Screw	33	Striker Retaining Screw
13	Magazine	34	Striker Sleeve
14	Magazine Guide Plate	35	Striker Spring
15	Magazine Guide Plate Screws	36	Striker Assembly Pin
16	Magazine Guide and Latch Assembly Pin	37	Takedown Screw
17	Magazine Guide	38	Takedown Screw Stud
18	Magazine Latch and Ejector	39	Trigger
19	Magazine Guide Screw	40	Trigger Guard
20	Magazine Guide Pivot Pin	41	Trigger Guard Screws
21	Rear Sight	42	Trigger Spring
		43	Trigger Stud

Model 30 and 30AS Lever-Action Rifle



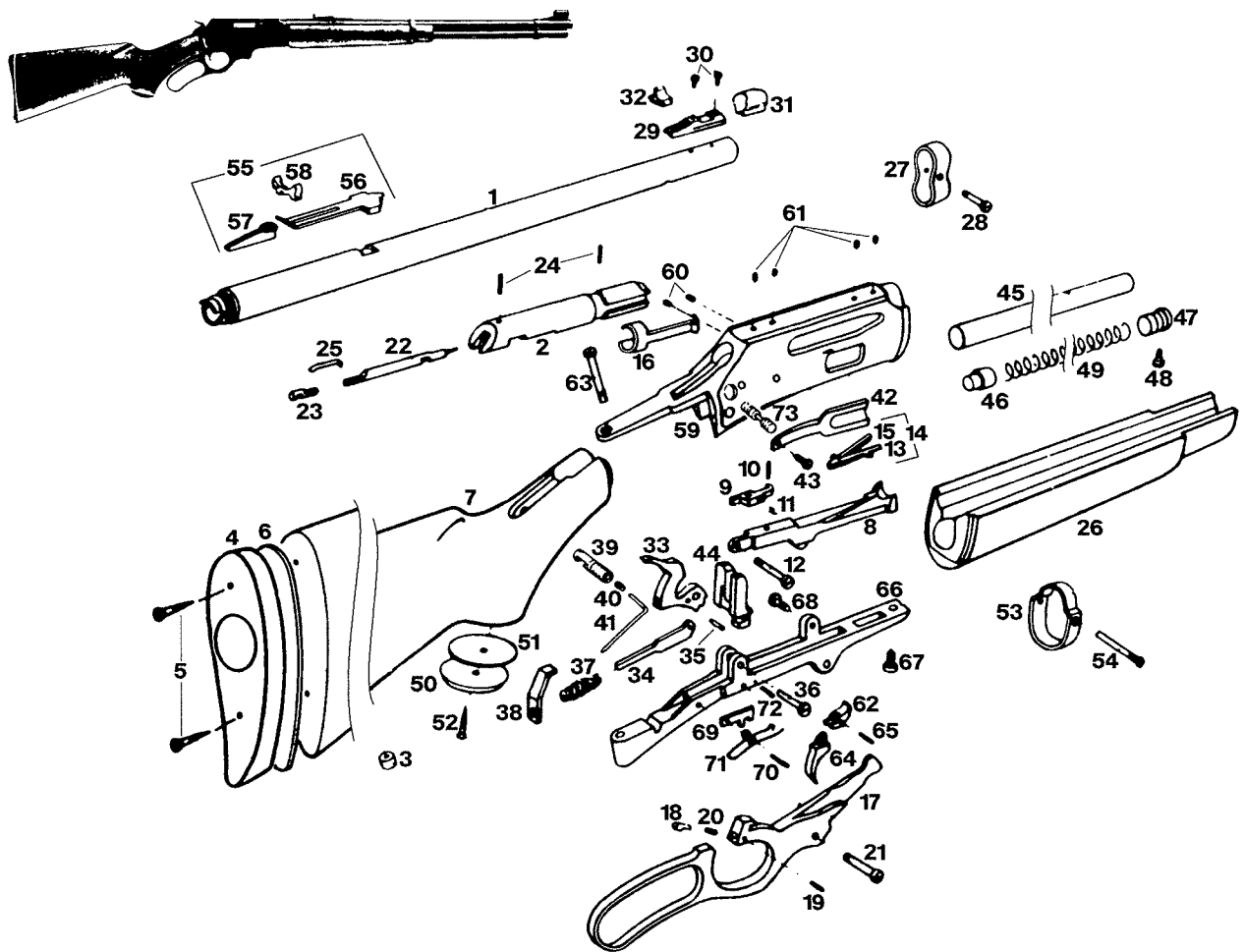
1	Barrel	23	Firing Pin Spring	45	Magazine Tube Plug
2	Breechbolt	24	Forearm	46	Magazine Tube Plug Screw
3	Buttplate	25	Forearm Tip	47	Magazine Tube Spring
4	Buttplate Screws	26	Forearm Tip Tenon	48	Rear Sight
5	Buttstock	27	Forearm Tip Tenon Screws	49	Rear Sight Elevator
6	Carrier	28	Front Band	50	Receiver
7	Carrier Rocker	29	Front Band Screw	51	Peep Sight Dummy Screws
8	Carrier Rocker Pin	30	Front Sight with Brass Bead	52	Scope Mount Dummy Screws
9	Carrier Rocker Spring	31	Hammer	53	Sear
10	Carrier Screw	32	Hammer Strut	54	Tang Screw
11	Ejector	33	Hammer Strut Pin	55	Trigger
12	Ejector Spring	34	Hammer Screw	56	Trigger and Sear Pin
13	Ejector with Spring	35	Hammer Spring	57	Trigger Guard Plate
14	Extractor	36	Hammer Spring Adjusting Plate	58	Trigger Guard Plate Screw
15	Finger Lever	37	Hammer Spur	59	Trigger Guard Plate Support Screw
16	Finger Lever Plunger	38	Hammer Spur Screw	60	Trigger Safety Block
17	Finger Lever Plunger Pin	39	Hammer Spur Wrench	61	Trigger Safety Block Pin
18	Finger Lever Plunger Spring	40	Loading Spring	62	Trigger Safety Block Spring
19	Finger Lever Screw	41	Loading Spring Screw	63	Trigger Guard Plate Latch Pin
20	Firing Pin, Front	42	Locking Bolt		
21	Firing Pin, Rear	43	Magazine Tube		
22	Firing Pin Retaining Pins	44	Magazine Tube Follower		

Model 336A Lever-Action Rifle



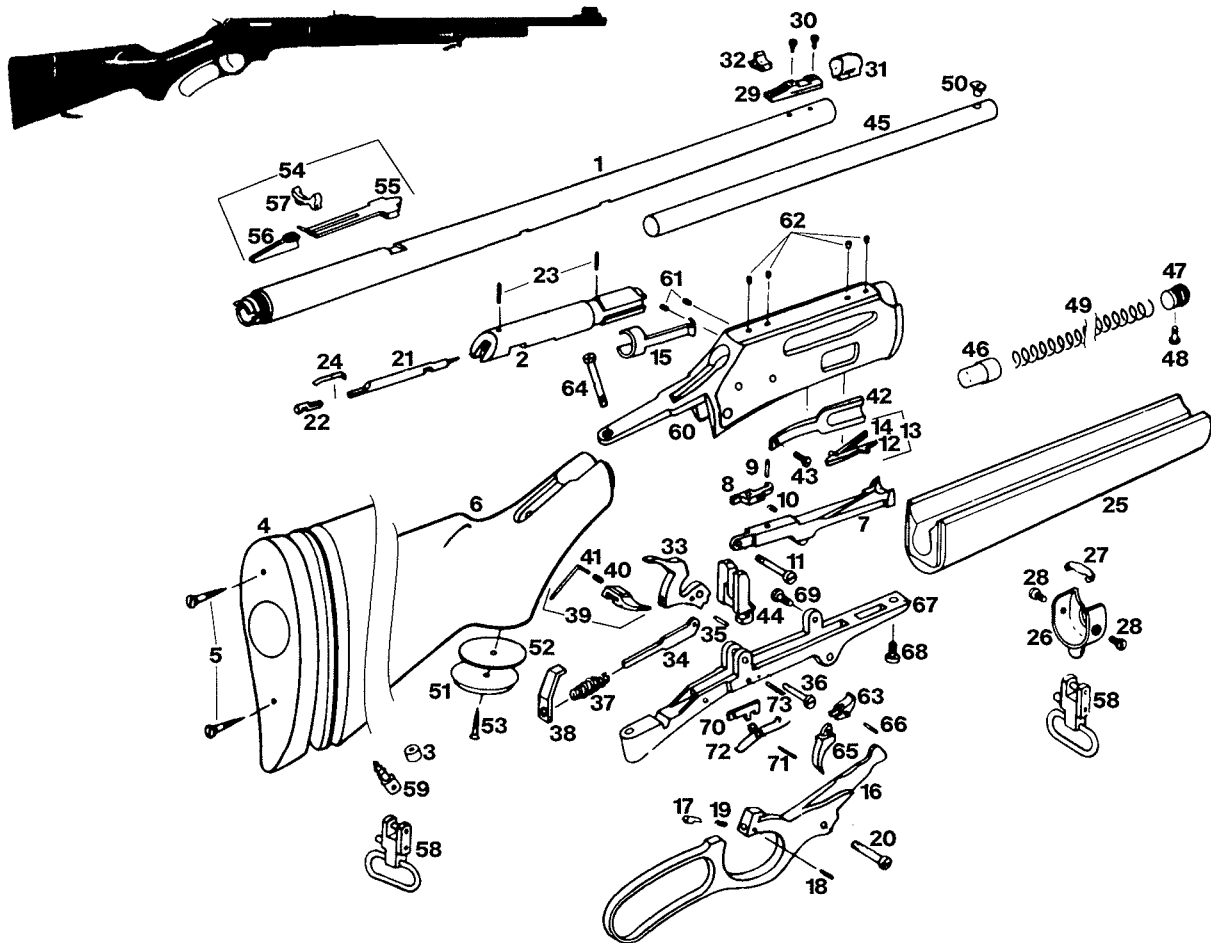
1	Barrel	26	Forearm	51	Magazine Tube Stud
2	Breechbolt	27	Forearm Tip with Swivel	52	Pistol Grip Cap
3	Bullseye	28	Forearm Tip Tenon	53	Pistol Grip Cap Spacer
4	Buttplate with Spacer	29	Forearm Tip Tenon Screws	54	Pistol Grip Cap Screw
5	Buttplate Screws	30	Front Sight Base	55	Rear Sight Assembly
6	Buttplate Spacer	31	Front Sight Base Screws	56	Rear Sight Base
7	Buttstock	32	Front Sight Hood	57	Rear Sight Elevator
8	Carrier	33	Front Sight Insert	58	Rear Sight Folding Leaf
9	Carrier Rocker	34	Hammer	59	Rear Swivel
10	Carrier Rocker Pin	35	Hammer Strut	60	Receiver
11	Carrier Rocker Spring	36	Hammer Strut Pin	61	Peep Sight Dummy Screws
12	Carrier Screw	37	Hammer Screw	62	Scope Mount Dummy Screws
13	Ejector	38	Hammer Spring	63	Sear
14	Ejector with Spring	39	Hammer Spring Adjusting Plate	64	Tang Screw
15	Ejector Spring	40	Hammer Spur	65	Trigger
16	Extractor	41	Hammer Spur Screw	66	Trigger and Sear Pin
17	Finger Lever	42	Hammer Spur Wrench	67	Trigger Guard Plate
18	Finger Lever Plunger	43	Loading Spring	68	Trigger Guard Plate Screw
19	Finger Lever Plunger Pin	44	Loading Spring Screw	69	Trigger Guard Plate Support Screw
20	Finger Lever Plunger Spring	45	Locking Bolt	70	Trigger Safety Block
21	Finger Lever Screw	46	Magazine Tube	71	Trigger Safety Block Pin
22	Firing Pin, Front	47	Magazine Tube Follower	72	Trigger Safety Block Spring
23	Firing Pin, Rear	48	Magazine Tube Plug	73	Trigger Guard Plate Latch Pin
24	Firing Pin Retaining Pins	49	Magazine Tube Plug Screw		
25	Firing Pin Spring	50	Magazine Tube Spring		

Model 336CS Lever-Action Rifle



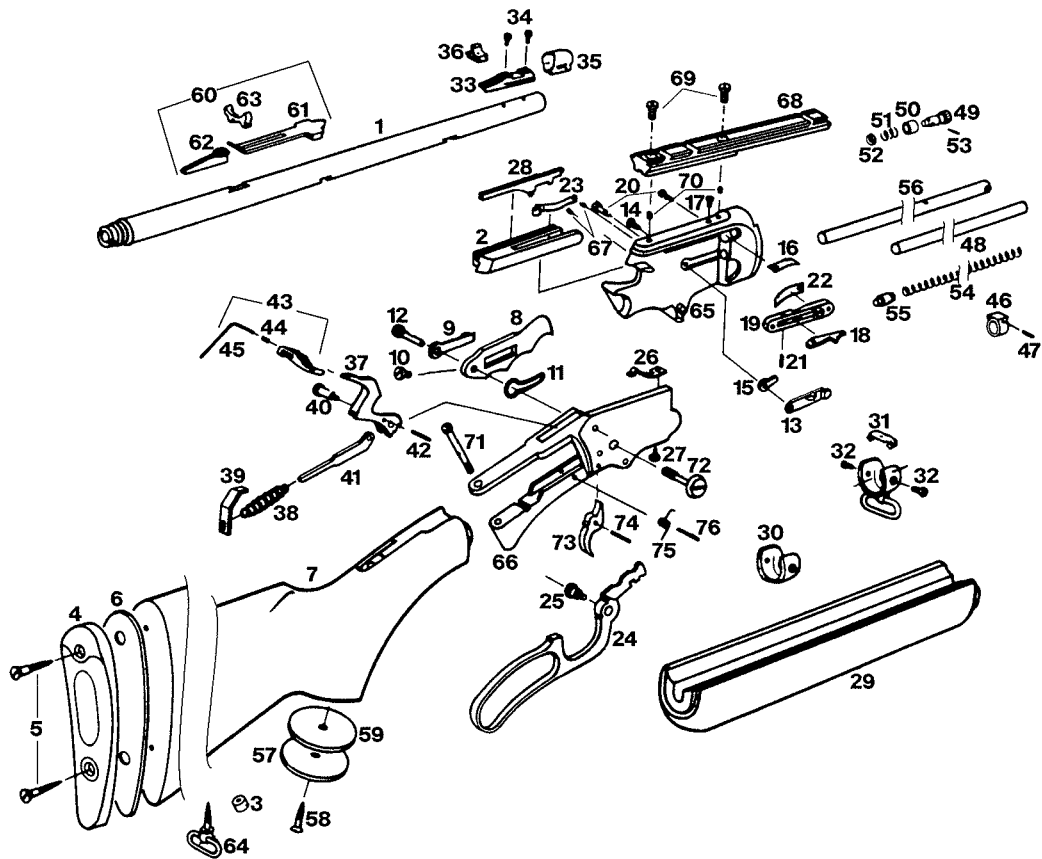
1	Barrel	26	Forearm	51	Pistol Grip Cap Spacer
2	Breechbolt	27	Front Band	52	Pistol Grip Cap Screw
3	Bullseye	28	Front Band Screw	53	Rear Band
4	Buttpad	29	Front Sight Base	54	Rear Band Screw
5	Buttpad Screws	30	Front Sight Base Screws	55	Rear Sight Assembly
6	Buttpad Spacer	31	Front Sight Hood	56	Rear Sight Base
7	Buttstock	32	Front Sight Insert	57	Rear Sight Elevator
8	Carrier	33	Hammer	58	Rear Sight Folding Leaf
9	Carrier Rocker	34	Hammer Strut	59	Receiver
10	Carrier Rocker Pin	35	Hammer Strut Pin	60	Peep Sight Dummy Screws
11	Carrier Rocker Spring	36	Hammer Screw	61	Scope Mount Dummy Screws
12	Carrier Screw	37	Hammer Spring	62	Sear
13	Ejector	38	Hammer Spring Adjusting Plate	63	Tang Screw
14	Ejector with Spring	39	Hammer Spur	64	Trigger
15	Ejector Spring	40	Hammer Spur Screw	65	Trigger and Sear Pin
16	Extractor	41	Hammer Spur Wrench	66	Trigger Guard Plate
17	Finger Lever	42	Loading Spring	67	Trigger Guard Plate Screw
18	Finger Lever Plunger	43	Loading Spring Screw	68	Trigger Guard Plate Support Screw
19	Finger Lever Plunger Pin	44	Locking Bolt	69	Trigger Safety Block
20	Finger Lever Plunger Spring	45	Magazine Tube	70	Trigger Safety Block Pin
21	Finger Lever Screw	46	Magazine Tube Follower	71	Trigger Safety Block Spring
22	Firing Pin, Front	47	Magazine Tube Plug	72	Trigger Guard Plate Latch Pin
23	Firing Pin, Rear	48	Magazine Tube Plug Screw	73	Safety Button Assembly
24	Firing Pin Retaining Pins	49	Magazine Tube Spring		
25	Firing Pin Spring	50	Pistol Grip Cap		

Model 375 and 375S Lever-Action Rifle



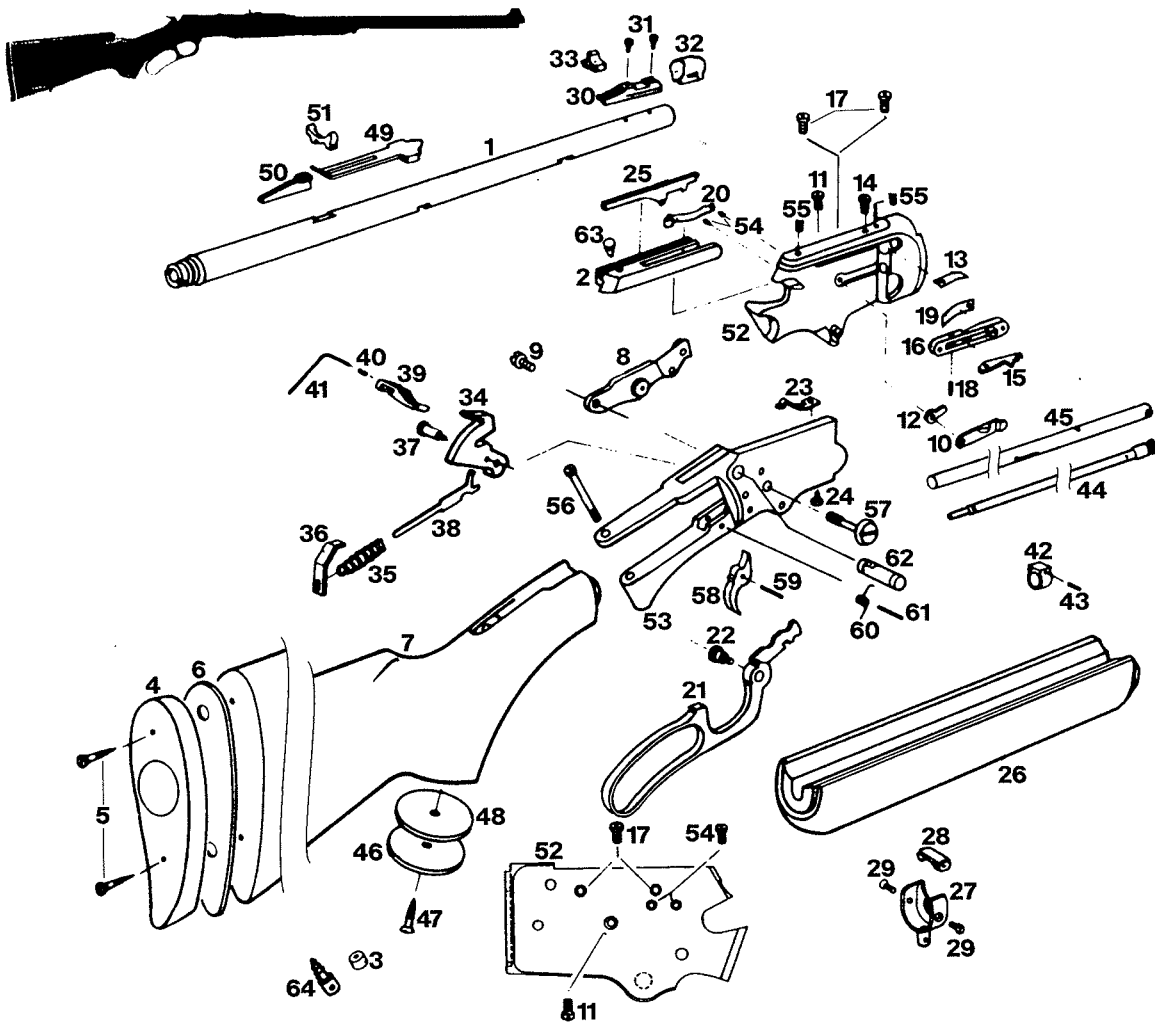
1	Barrel	26	Forearm Tip with Swivel Stud	51	Pistol Grip Cap
2	Breechbolt	27	Forearm Tip Tenon	52	Pistol Grip Cap Spacer
3	Bullseye	28	Forearm Tip Tenon Screws	53	Pistol Grip Cap Screw
4	Buttpad and Spacers	29	Front Sight Base	54	Rear Sight Assembly
5	Buttpad Screws	30	Front Sight Base Screws	55	Rear Sight Base
6	Buttstock	31	Front Sight Hood	56	Rear Sight Elevator
7	Carrier	32	Front Sight Insert	57	Rear Sight Folding Leaf
8	Carrier Rocker	33	Hammer	58	Swivels
9	Carrier Rocker Pin	34	Hammer Strut	59	Swivel Stud
10	Carrier Rocker Spring	35	Hammer Strut Pin	60	Receiver
11	Carrier Screw	36	Hammer Screw	61	Peep Sight Dummy Screws
12	Ejector	37	Hammer Spring	62	Scope Mount Dummy Screws
13	Ejector with Spring	38	Hammer Spring Adjusting Plate	63	Sear
14	Ejector Spring	39	Hammer Spur	64	Tang Screw
15	Extractor	40	Hammer Spur Screw	65	Trigger
16	Finger Lever	41	Hammer Spur Wrench	66	Trigger and Sear Pin
17	Finger Lever Plunger	42	Loading Spring	67	Trigger Guard Plate
18	Finger Lever Plunger Pin	43	Loading Spring Screw	68	Trigger Guard Plate Screw
19	Finger Lever Plunger Spring	44	Locking Bolt	69	Trigger Guard Plate Support Screw
20	Finger Lever Screw	45	Magazine Tube	70	Trigger Safety Block
21	Firing Pin, Front	46	Magazine Tube Follower	71	Trigger Safety Block Pin
22	Firing Pin, Rear	47	Magazine Tube Plug	72	Trigger Safety Block Spring
23	Firing Pin Retaining Pins	48	Magazine Tube Plug Screw	73	Trigger Guard Plate Latch Pin
24	Firing Pin Spring	49	Magazine Tube Spring		
25	Forearm	50	Magazine Tube Stud		

Model 39A Lever-Action Rifle



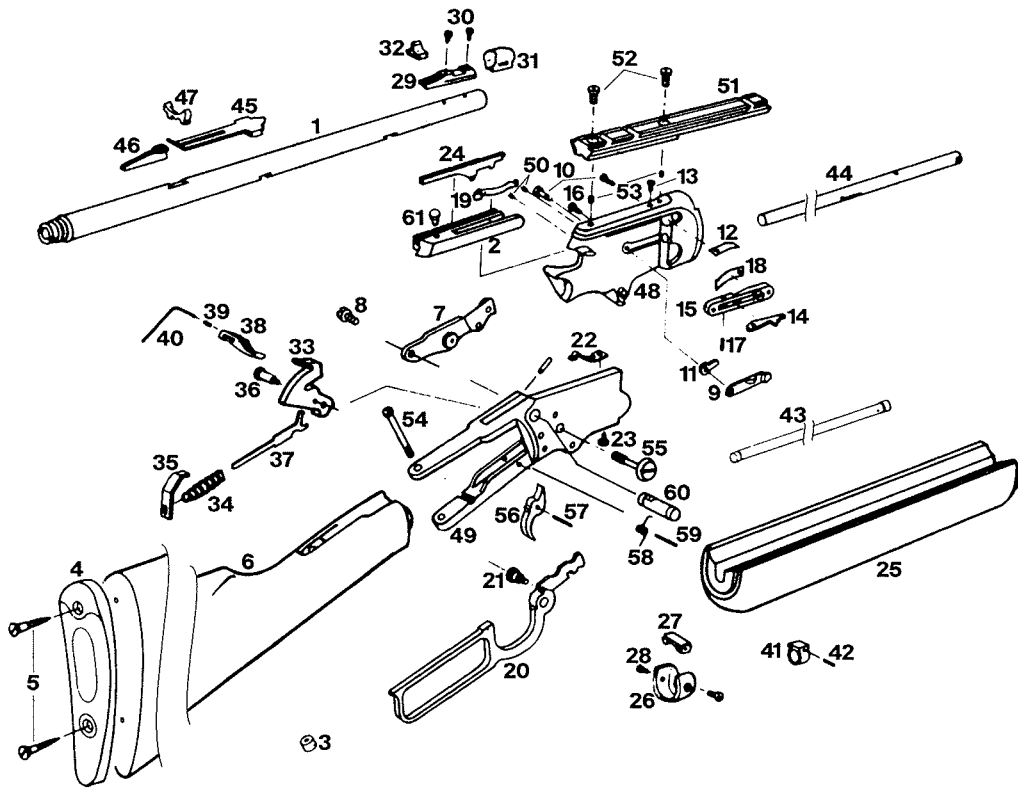
1	Barrel	27	Finger Lever Spring Screw	53	Magazine Tube Plug Pin
2	Breechbolt	28	Firing Pin	54	Magazine Tube Spring
3	Bullseye	29	Forearm	55	Magazine Tube Follower
4	Buttplate	30	Forearm Tip Assembly	56	Magazine Tube, Outside
5	Buttplate Screws	31	Forearm Tip Tenon	57	Pistol Grip Cap
6	Buttplate Spacer	32	Forearm Tip Tenon Screws	58	Pistol Grip Cap Screw
7	Buttstock	33	Front Sight Ramp Base	59	Pistol Grip Cap Spacer
8	Carrier	34	Front Sight Ramp Base Screws	60	Rear Sight
9	Carrier Rocker	35	Front Sight Ramp Hood	61	Rear Sight Base
10	Carrier Rocker Screw	36	Front Sight Ramp Insert	62	Rear Sight Elevator
11	Carrier Rocker Spring	37	Hammer	63	Rear Sight Folding Leaf
12	Carrier Screw	38	Hammer Spring	64	Rear Swivel
13	Cartridge Cutoff	39	Hammer Spring Adjusting Plate	65	Receiver
14	Cartridge Cutoff Screw	40	Hammer Screw	66	Receiver Tang
15	Cartridge Cutoff Spacer	41	Hammer Pin	67	Peep Sight Dummy Screws
16	Cartridge Guide Spring	42	Hammer Strut Pin	68	Scope Adapter Base with Screws
17	Cartridge Guide Spring Screw	43	Hammer Spur Assembly	69	Scope Adapter Base Screws
18	Ejector	44	Hammer Spur Screw	70	Scope Mount Dummy Screws
19	Ejector Base with Rivet	45	Hammer Spur Wrench	71	Tang Screw
20	Ejector Base Screws	46	Magazine Tube Band	72	Thumb Screw
21	Ejector Pin	47	Magazine Tube Band Pin	73	Trigger
22	Ejector Spring	48	Magazine Tube, Inside	74	Trigger Pin
23	Extractor	49	Magazine Tube Plug	75	Trigger Spring
24	Finger Lever	50	Magazine Tube Plug Cap	76	Trigger Spring Pin
25	Finger Lever Screw	51	Magazine Tube Plug Spring		
26	Finger Lever Spring	52	Magazine Tube Plug Bushing		

Model 39AS Lever-Action Rifle



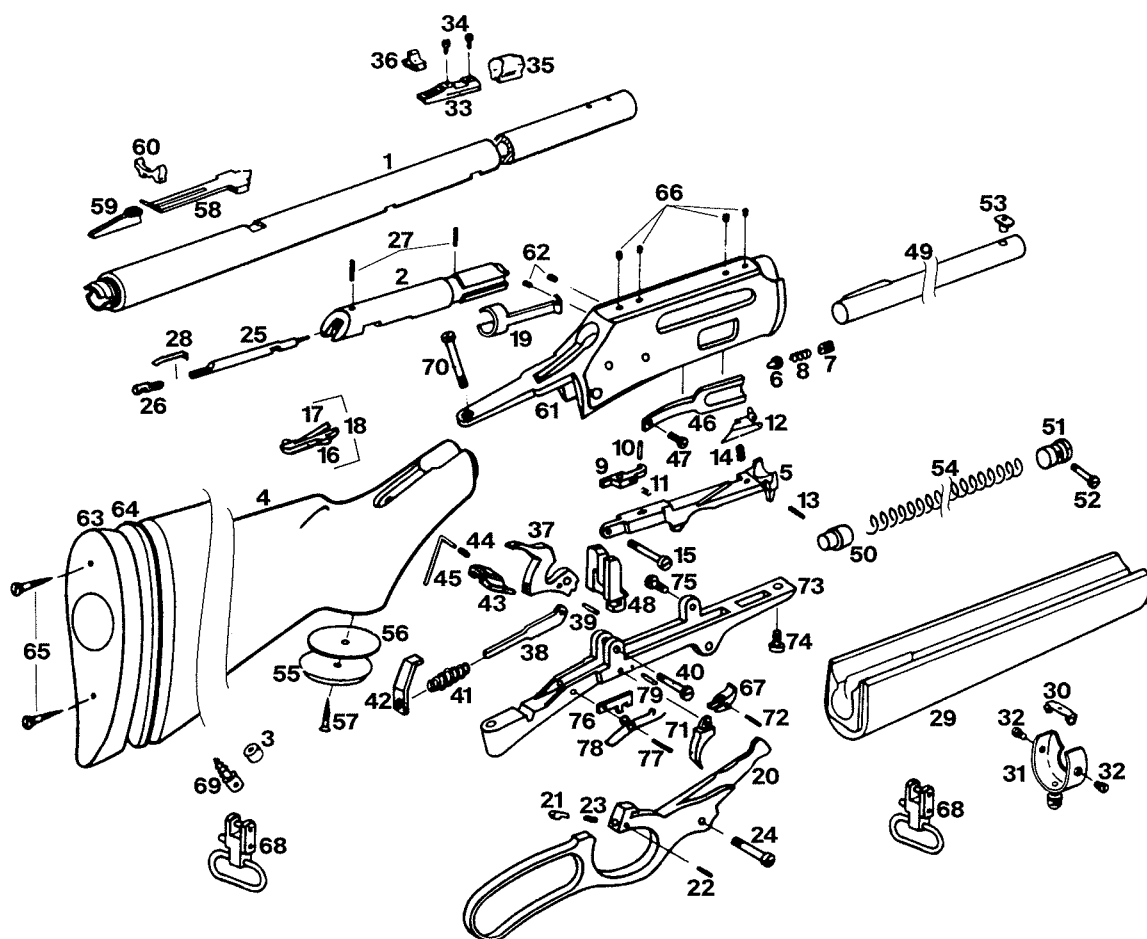
1	Barrel	24	Finger Lever Spring Screw	47	Pistol Grip Cap Screw
2	Breechbolt	25	Firing Pin	48	Pistol Grip Cap Spacer
3	Bullseye	26	Forearm	49	Rear Sight Base
4	Buttpad	27	Forearm Tip with Stud	50	Rear Sight Elevator
5	Buttpad Screws	28	Forearm Tip Tenon	51	Rear Sight Folding Leaf
6	Buttpad Spacer	29	Forearm Tip Tenon Screws	52	Receiver
7	Buttstock	30	Front Sight Ramp Base	53	Receiver Tang
8	Carrier Assembly	31	Front Sight Ramp Base Screws	54	Receiver Sight Dummy Screws
9	Carrier Screw	32	Front Sight Ramp Hood	55	Scope Mount Dummy Screws
10	Cartridge Cutoff	33	Front Sight Ramp Insert	56	Tang Screw
11	Cartridge Cutoff Screw	34	Hammer	57	Thumb Screw
12	Cartridge Cutoff Spacer	35	Hammer Spring	58	Trigger
13	Cartridge Guide Spring	36	Hammer Spring Adjusting Plate	59	Trigger Pin
14	Cartridge Guide Spring Screw	37	Hammer Screw	60	Trigger Spring
15	Ejector	38	Rebound Strut	61	Trigger Spring Pin
16	Ejector Base with Rivet	39	Hammer Spur Assembly	62	Safety Assembly
17	Ejector Base Screws	40	Hammer Spur Screw	63	Firing Pin Retaining Stud
18	Ejector Pin	41	Hammer Spur Wrench	64	Rear Swivel Stud
19	Ejector Spring	42	Magazine Tube Band		
20	Extractor	43	Magazine Tube Band Pin		
21	Finger Lever	44	Magazine Tube Assembly		
22	Finger Lever Screw	45	Magazine Tube, Outside		
23	Finger Lever Spring	46	Pistol Grip Cap		
				Parts Not Shown	
					Scope Adapter Base with Screws

Model 39TDS Lever-Action Carbine



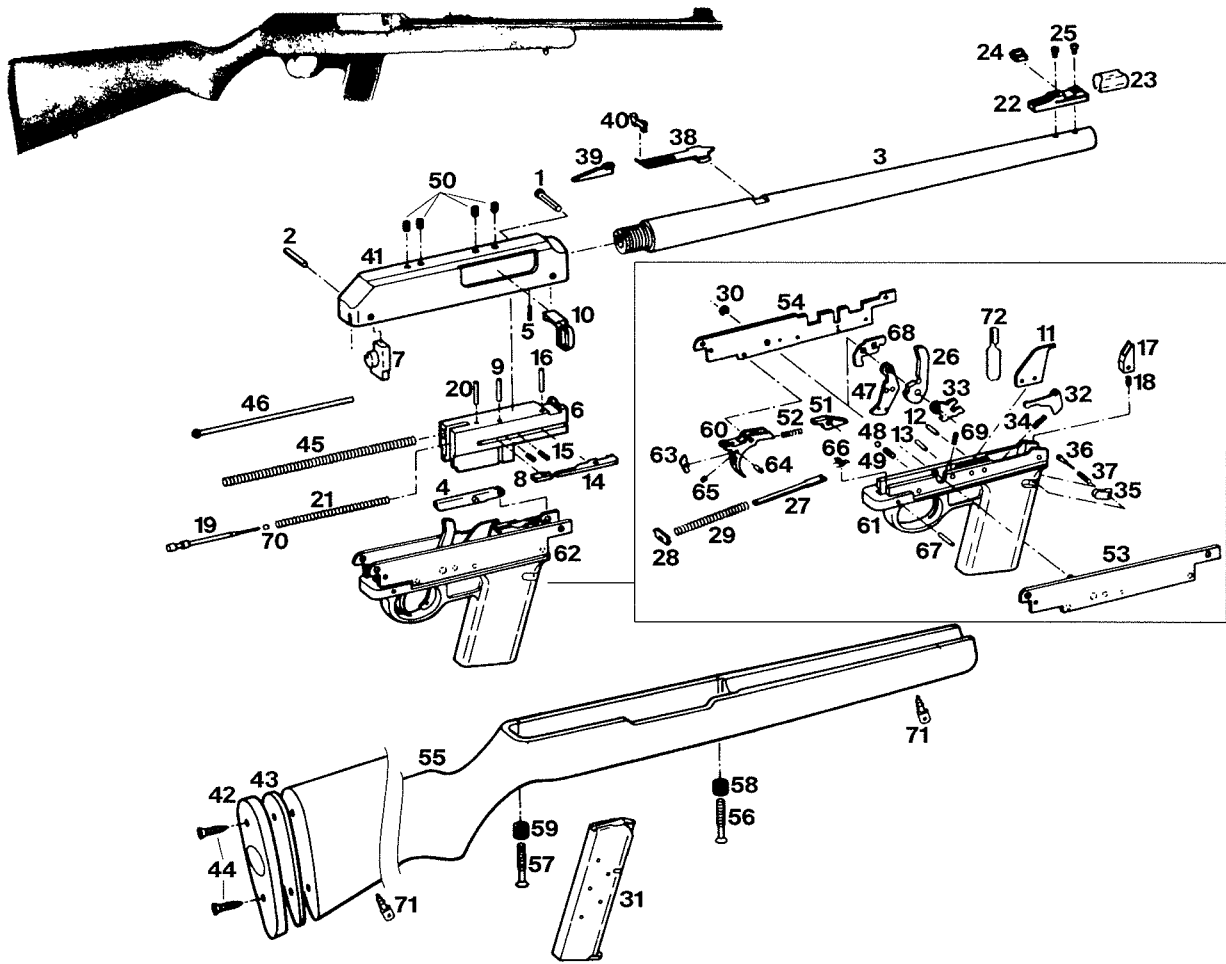
1	Barrel	32	Front Sight Ramp Insert
2	Breechbolt	33	Hammer
3	Bullseye	34	Hammer Spring
4	Buttplate	35	Hammer Spring Adjusting Plate
5	Buttplate Screws	36	Hammer Screw
6	Buttstock	37	Hammer Rebound Strut
7	Carrier Assembly	38	Hammer Spur Assembly
8	Carrier Screw	39	Hammer Spur Screw
9	Cartridge Cutoff	40	Hammer Spur Wrench
10	Cartridge Cutoff Screws	41	Magazine Tube Band
11	Cartridge Cutoff Spacer	42	Magazine Tube Band Pin
12	Cartridge Guide Spring	43	Magazine Tube, Inside
13	Cartridge Guide Spring Screw	44	Magazine Tube, Outside
14	Ejector	45	Rear Sight Base
15	Ejector Base with Rivet	46	Rear Sight Elevator
16	Ejector Base Screws	47	Rear Sight Folding Leaf
17	Ejector Pin	48	Receiver, Left
18	Ejector Spring	49	Receiver, Right
19	Extractor	50	Receiver Sight Dummy Screws
20	Finger Lever	51	Scope Adapter Base with Screws
21	Finger Lever Screw	52	Scope Adapter Base Screws
22	Finger Lever Spring	53	Scope Mount Dummy Screws
23	Finger Lever Spring Screw	54	Tang Screw
24	Firing Pin	55	Thumb Screw
25	Forearm	56	Trigger
26	Forearm Tip	57	Trigger Pin
27	Forearm Tip Tenon	58	Trigger Spring
28	Forearm Tip Tenon Screws	59	Trigger Spring Pin
29	Front Sight Ramp Base	60	Safety Assembly
30	Front Sight Ramp Base Screws	61	Firing Pin Retaining Stud
31	Front Sight Ramp Hood		

Model 444, 444S and 444SS Lever-Action Rifle



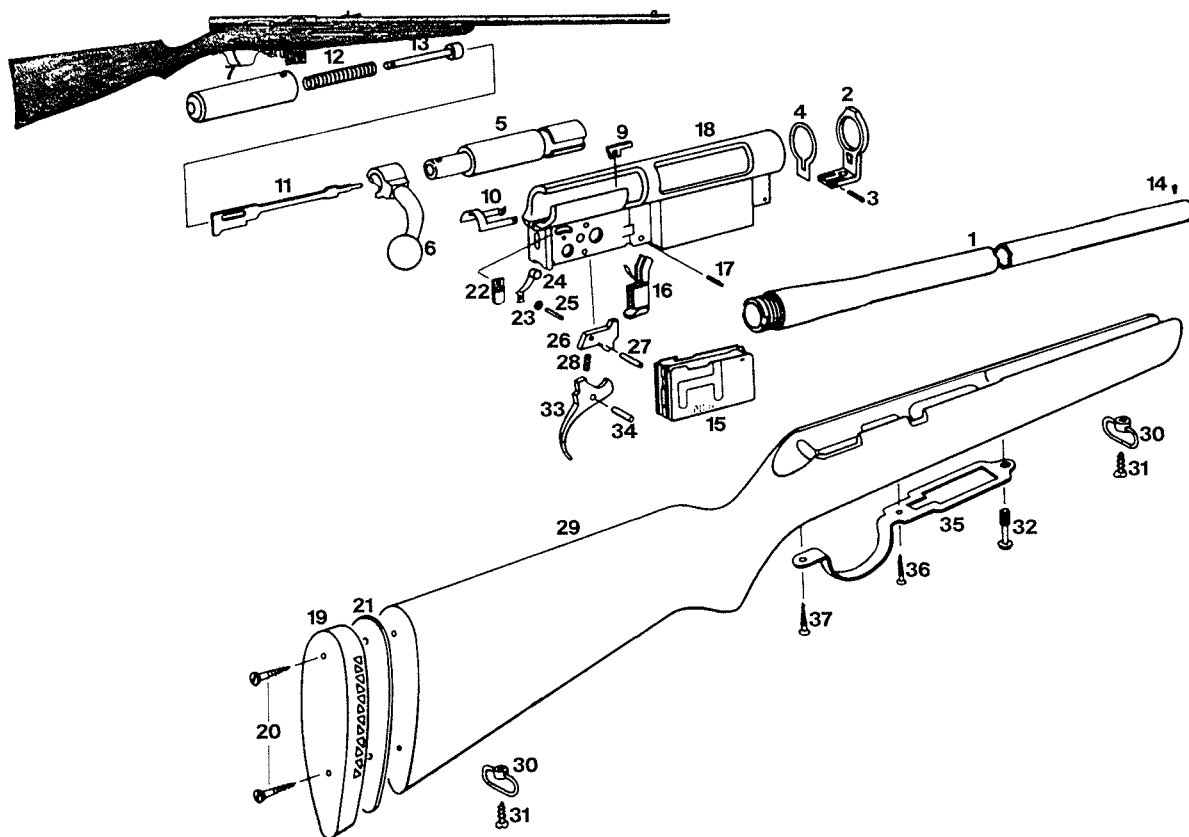
1	Barrel	28	Firing Pin Spring	55	Pistol Grip Cap
2	Breechbolt	29	Forearm	56	Pistol Grip Cap Spacer
3	Bullseye	30	Forearm Tip Tenon	57	Pistol Grip Cap Screw
4	Buttstock	31	Forearm Tip and Swivel Stud	58	Rear Sight Base
5	Carrier	32	Forearm Tip Screws	59	Rear Sight Elevator
6	Carrier Detent	33	Front Sight Base	60	Rear Sight Folding Leaf
7	Carrier Detent Screw	34	Front Sight Base Screws	61	Receiver
8	Carrier Detent Spring	35	Front Sight Hood	62	Peep Sight Dummy Screws
9	Carrier Rocker	36	Front Sight Insert	63	Buttpad with Spacers
10	Carrier Rocker Pin	37	Hammer	64	Buttpad Spacer
11	Carrier Rocker Spring	38	Hammer Strut	65	Buttpad Screws
12	Cartridge Leveler	39	Hammer Strut Pin	66	Scope Mount Dummy Screws
13	Cartridge Leveler Pivot Pin	40	Hammer Screw	67	Sear
14	Cartridge Leveler Spring	41	Hammer Spring	68	Swivels
15	Carrier Screw	42	Hammer Spring Adjusting Plate	69	Rear Swivel Stud
16	Ejector	43	Hammer Spur	70	Tang Screw
17	Ejector Spring	44	Hammer Spur Screw	71	Trigger
18	Ejector with Spring	45	Hammer Spur Wrench	72	Trigger and Sear Pin
19	Extractor	46	Loading Spring	73	Trigger Guard Plate
20	Finger Lever	47	Loading Spring Screw	74	Trigger Guard Plate Screw
21	Finger Lever Plunger	48	Locking Bolt	75	Trigger Guard Plate Support Screw
22	Finger Lever Plunger Pin	49	Magazine Tube	76	Trigger Safety Block
23	Finger Lever Plunger Spring	50	Magazine Tube Follower	77	Trigger Safety Block Pin
24	Finger Lever Screw	51	Magazine Tube Plug	78	Trigger Safety Block Spring
25	Firing Pin, Front	52	Magazine Tube Plug Screw	79	Trigger Guard Plate Latch Pin
26	Firing Pin, Rear	53	Magazine Tube Stud		
27	Firing Pin Retaining Pin (2)	54	Magazine Tube Spring		

Model 45 Autoloading Carbine



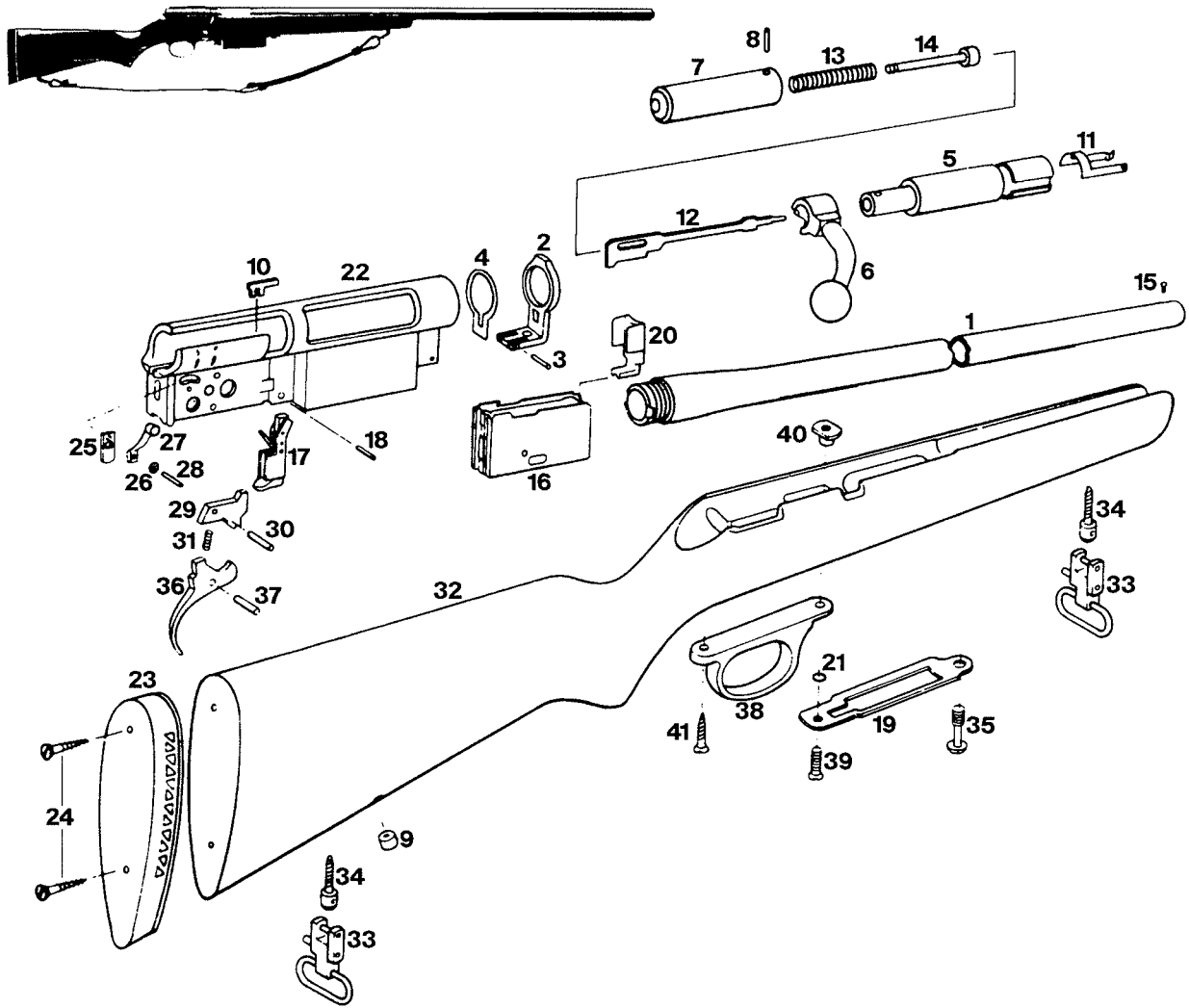
1	Action Assembly Pin, Front	25	Front Ramp Sight Screws	49	Safety Detent Spring
2	Action Assembly Pin, Rear	26	Hammer	50	Scope Mount Dummy Screws
3	Barrel	27	Hammer Strut	51	Sear
4	Bolt Stop	28	Hammer Strut Bridge	52	Sear Spring
5	Bolt Stop Spring	29	Hammer Strut Spring	53	Sideplate, Right
6	Breechbolt	30	Hammer Pivot Pin Retaining Ring	54	Sideplate, Left
7	Buffer	31	Magazine	55	Stock
8	Cartridge Indicator	32	Magazine Disconnecter	56	Takedown Screw, Front
9	Cartridge Indicator Assembly Pin	33	Magazine Disconnecter Trigger Block	57	Takedown Screw, Rear
10	Charging Handle	34	Magazine Disconnecter Spring	58	Takedown Screw Bushing, Front
11	Ejector	35	Magazine Latch	59	Takedown Screw Bushing, Rear
12	Ejector/Magazine Disconnecter Pin	36	Magazine Latch Retaining Screw	60	Trigger
13	Ejector Pin, Rear	37	Magazine Latch Retaining Spring	61	Trigger Guard
14	Extractor	38	Rear Sight Base	62	Trigger Guard/Action Assembly
15	Extractor/Cartridge Indicator Springs	39	Rear Sight Elevator	63	Trigger Disconnecter
16	Extractor Pin	40	Rear Sight Leaf	64	Trigger Disconnecter Pin
17	Feed Ramp	41	Receiver	65	Trigger Disconnecter Spring
18	Feed Ramp Spring	42	Recoil Pad	66	Trigger Return Spring
19	Firing Pin	43	Recoil Pad Spacer	67	Trigger Return Spring Pin
20	Firing Pin Assembly Pin	44	Recoil Pad Screws	68	Trigger Block
21	Firing Pin Spring	45	Recoil Spring	69	Trigger Block Spring
22	Front Ramp Sight Base	46	Recoil Spring Rod	70	Firing Pin Bushing
23	Front Ramp Sight Cutaway Hood	47	Safety	71	Swivel Studs
24	Front Ramp Sight Red Insert	48	Safety Detent Ball	72	Manual Hold-Open

Model 50 Bolt-Action Rifle



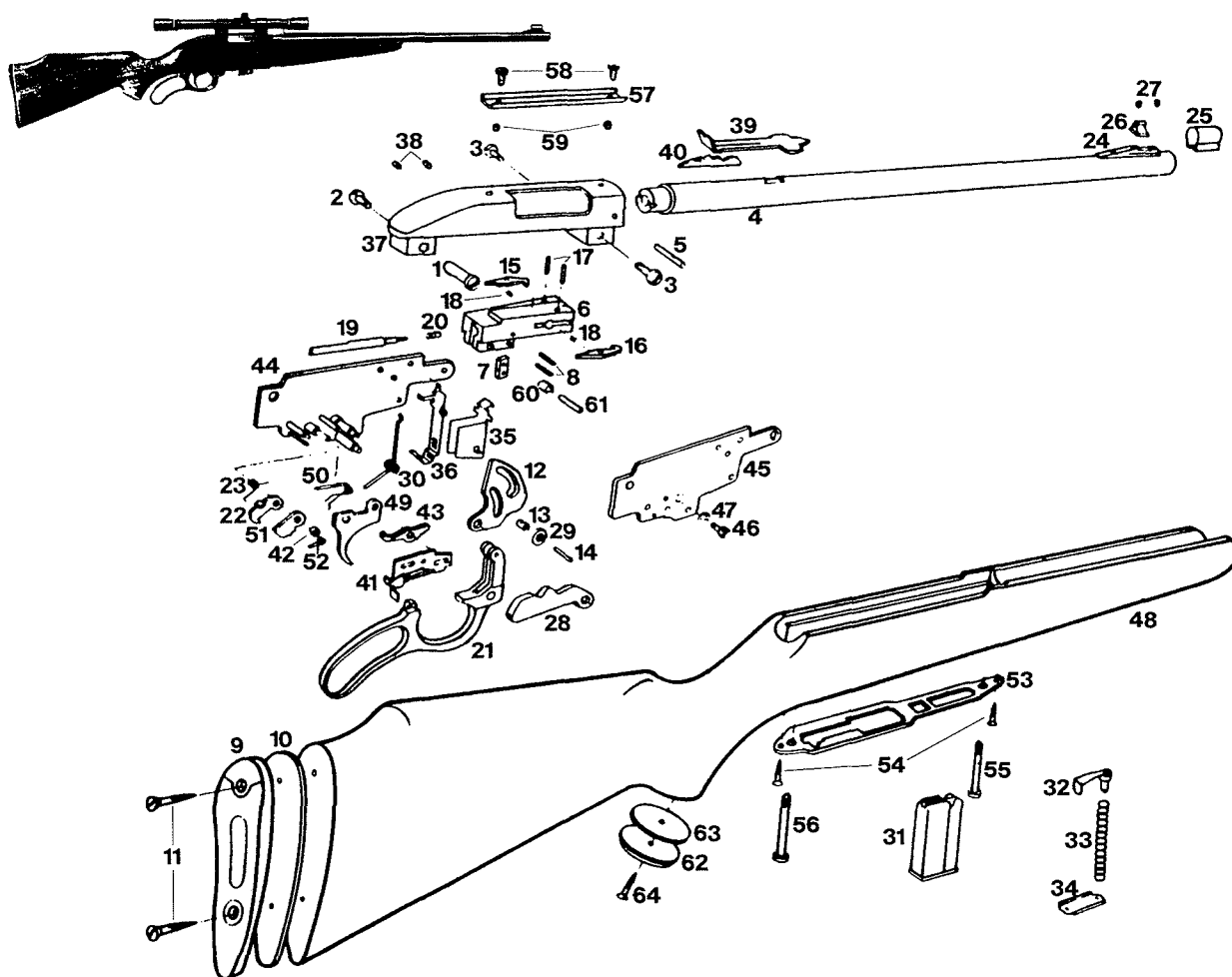
1	Barrel	20	Recoil Pad Screws
2	Barrel Collar	21	Recoil Pad Spacer
3	Barrel Collar Pin	22	Safety Blade
4	Barrel Washer	23	Safety Blade Spacer
5	Breechbolt, Front	24	Safety-Lever
6	Breechbolt Handle	25	Safety Pin
7	Breechbolt, Rear	26	Sear
8	Breechbolt Assembly Pin	27	Sear Pin
9	Ejector	28	Sear and Trigger Spring
10	Extractor	29	Stock
11	Firing Pin	30	Swivels
12	Firing Pin Spring	31	Swivel Screws
13	Firing Pin Spring Guide	32	Takedown Screw
14	Front Sight	33	Trigger
15	Magazine	34	Trigger Pin
16	Magazine Catch	35	Trigger Guard Plate
17	Magazine Catch Pin	36	Trigger Guard Plate Screw, Front
18	Receiver	37	Trigger Guard Plate Screw, Rear
19	Recoil Pad		

Model 5510 Supergoose Bolt-Action Shotgun



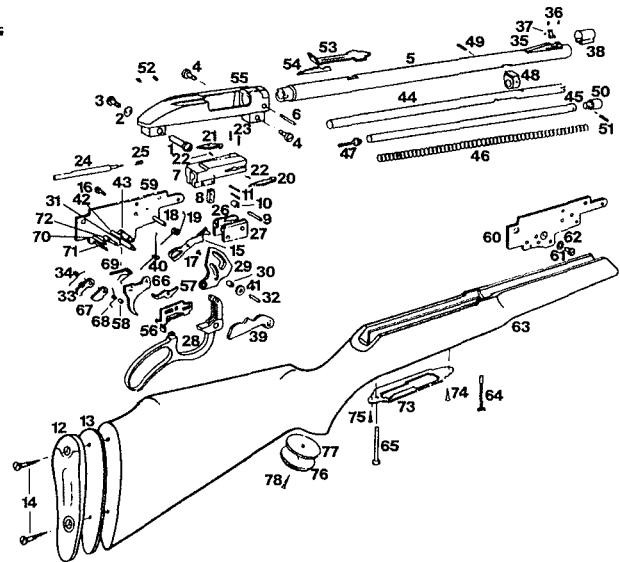
1	Barrel	22	Receiver
2	Barrel Collar	23	Recoil Pad
3	Barrel Collar Pin	24	Recoil Pad Screws
4	Barrel Washer	25	Safety Blade
5	Breechbolt, Front	26	Safety Blade Spacer
6	Breechbolt Handle	27	Safety-Lever
7	Breechbolt, Rear	28	Safety Pin
8	Breechbolt Assembly Pin	29	Sear
9	Bullseye	30	Sear Pin
10	Ejector	31	Sear and Trigger Spring
11	Extractor	32	Stock
12	Firing Pin	33	Swivels
13	Firing Pin Spring	34	Swivel Studs
14	Firing Pin Spring Guide	35	Takedown Screw
15	Front Sight	36	Trigger
16	Magazine	37	Trigger Pin
17	Magazine Catch	38	Trigger Guard
18	Magazine Catch Pin	39	Trigger Guard/Plate Screw
19	Magazine Guard Plate	40	Trigger Guard/Plate Screw Nut
20	Magazine Spacer	41	Rear Trigger Guard Screw
21	Magazine Guard Plate "O" Ring		

Model 56 Lever-Action Rifle



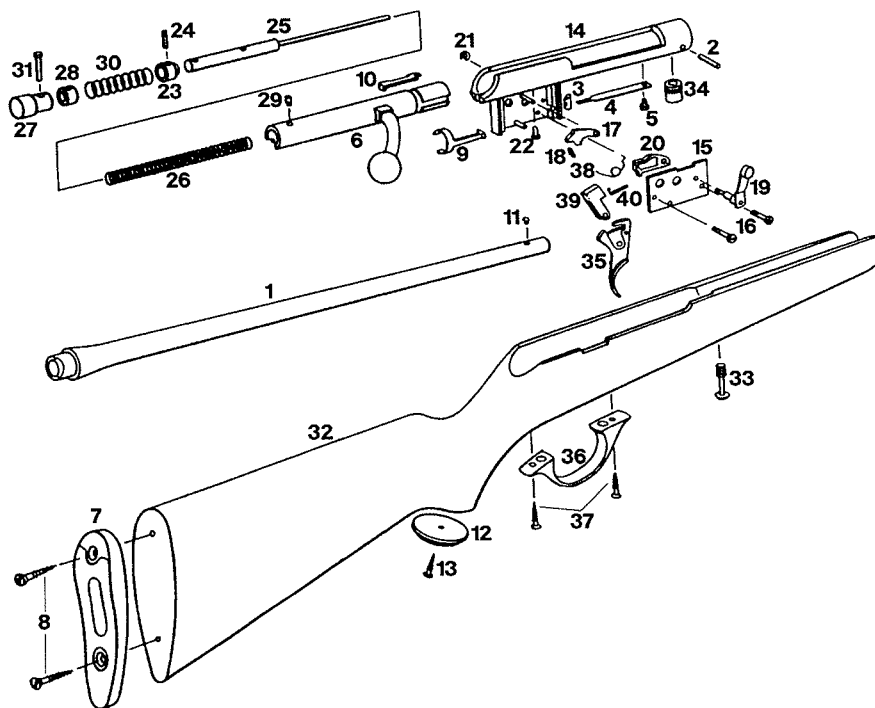
1	Assembly Post	23	Finger Lever Latch Spring	45	Right Sideplate
2	Assembly Post Screw	24	Front Ramp Sight Base	46	Sideplate Assembly Screw
3	Assembly Screws, Front	25	Front Sight Hood	47	Sideplate Assembly Screw Lock Washer
4	Barrel	26	Front Sight Insert	48	Stock
5	Barrel Retaining Pin	27	Front Sight Ramp Screws	49	Trigger
6	Breechbolt	28	Hammer	50	Trigger and Sear Spring
7	Breechbolt Bearing Insert	29	Hammer Cocking Roller	51	Trigger Block
8	Breechbolt Bearing Insert Pins	30	Hammer Spring	52	Trigger Block Spring
9	Buttplate	31	Magazine	53	Trigger Plate
10	Buttplate Spacer	32	Magazine Follower	54	Trigger Plate Screws
11	Buttplate Screws	33	Magazine Follower Spring	55	Takedown Screw, Front
12	Cam Lever	34	Magazine Bottom Plate	56	Takedown Screw, Rear
13	Cam Roller	35	Magazine Guide, Front	57	Scope Adapter Base with Screws
14	Cam Roller Pin	36	Magazine Latch and Ejector	58	Scope Adapter Base Screws
15	Extractor, Left	37	Receiver	59	Scope Adapter Base Dummy Screws
16	Extractor, Right	38	Receiver Peep Sight Dummy Screws	60	Breechbolt Cam Roller
17	Extractor Pins	39	Rear Sight	61	Breechbolt Cam Roller Pin
18	Extractor Springs	40	Rear Sight Elevator	62	Pistol Grip Cap
19	Firing Pin	41	Safety Slide	63	Pistol Grip Cap Spacer
20	Firing Pin Spring	42	Safety Slide Spacing Sleeve	64	Pistol Grip Cap Screw
21	Finger Lever	43	Sear		
22	Finger Lever Latch	44	Left Sideplate with Pins		

Model 57 Lever-Action Rifle



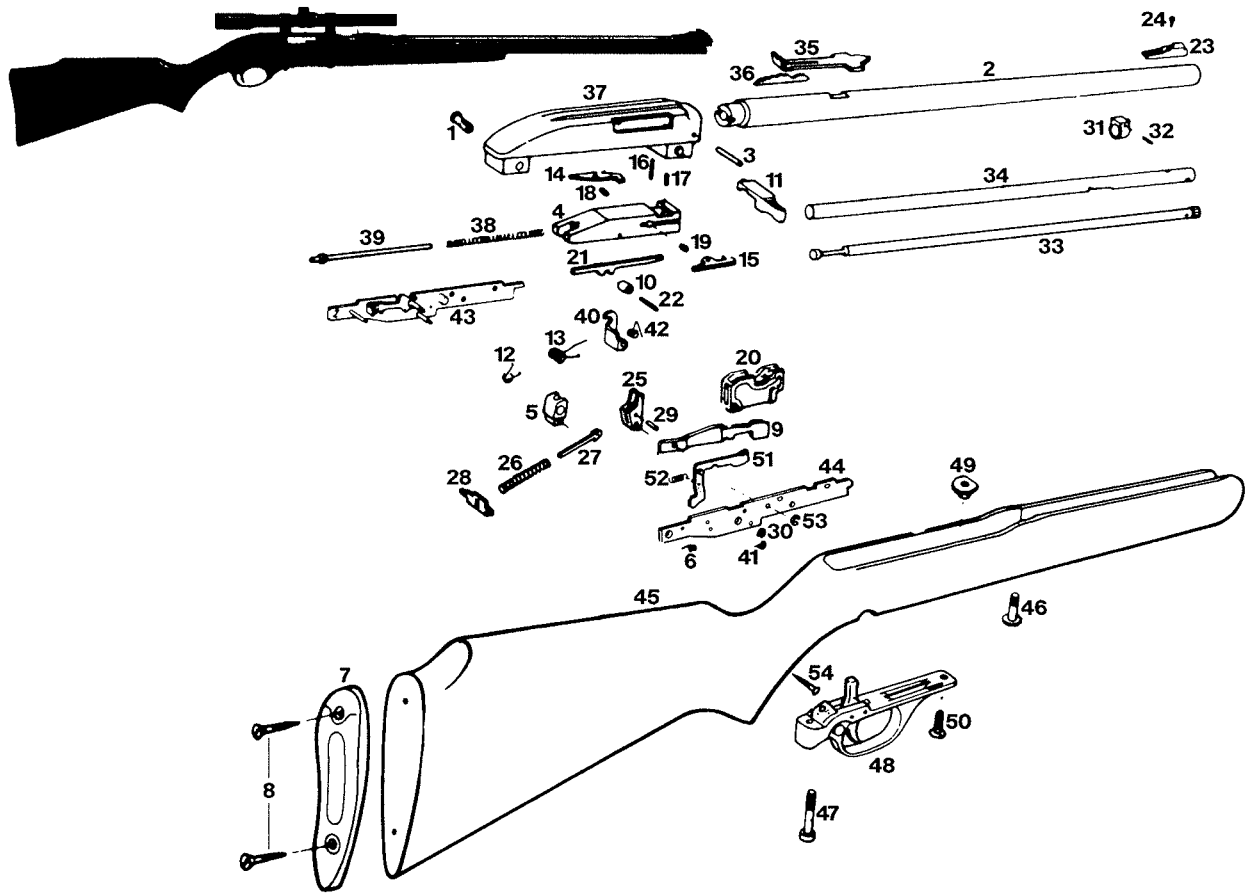
1	Assembly Post, Rear	40	Hammer Spring
2	Assembly Post Washer	41	Hammer Cocking Roller
3	Assembly Post Screw	42	Hammer Spring Mounting Pin
4	Assembly Screws	43	Hammer Pivot Pin
5	Barrel	44	Magazine Tube, Outside
6	Barrel Retaining Pin	45	Magazine Tube, Inside
7	Breechbolt	46	Magazine Tube Spring
8	Breechbolt Bearing Insert	47	Magazine Tube Follower
9	Breechbolt Cam Roller Pin	48	Magazine Tube Band
10	Breechbolt Cam Roller	49	Magazine Tube Band Pin
11	Breechbolt Bearing Inserts	50	Magazine Tube Plug
12	Buttplate	51	Magazine Tube Plug Pin
13	Buttplate Spacer	52	Peep Sight Dummy Screws
14	Buttplate Screws	53	Rear Sight
15	Cartridge Lifter	54	Rear Sight Elevator
16	Cartridge Lifter Pivot Stud	55	Receiver
17	Cartridge Lifter Stud Ring	56	Safety Slide
18	Cartridge Lifter Spring Mounting Pin	57	Sear
19	Cartridge Lifter Spring	58	Spacing Sleeve
20	Extractor, Right	59	Sideplate Assembly, Left
21	Extractor, Left	60	Sideplate, Right
22	Extractor Springs	61	Sideplate Assembly Screw
23	Extractor Pins	62	Sideplate Assembly Screw Lock Washer
24	Firing Pin	63	Stock
25	Firing Pin Spring	64	Takedown Screw, Front
26	Feed Throat, Left	65	Takedown Screw, Rear
27	Feed Throat, Right	66	Trigger
28	Finger Lever	67	Trigger Block
29	Finger Lever Cam	68	Trigger Block Spring
30	Finger Lever Cam Roller	69	Trigger and Sear Spring
31	Finger Lever Pivot Pin	70	Trigger Block Pivot Pin
32	Finger Lever Cam Roller Pin	71	Trigger Stop Pin
33	Finger Lever Latch	72	Trigger and Sear Pivot Pin
34	Finger Lever Latch Spring	73	Trigger Plate
35	Front Sight Ramp	74	Trigger Plate Screw, Front
36	Front Sight Ramp Screws	75	Trigger Plate Screw, Rear
37	Front Sight Ramp Insert	76	Pistol Grip Cap
38	Front Sight Ramp Hood	77	Pistol Grip Cap Spacer
39	Hammer	78	Pistol Grip Cap Screw

Model 59 and 60G Bolt-Action Shotgun



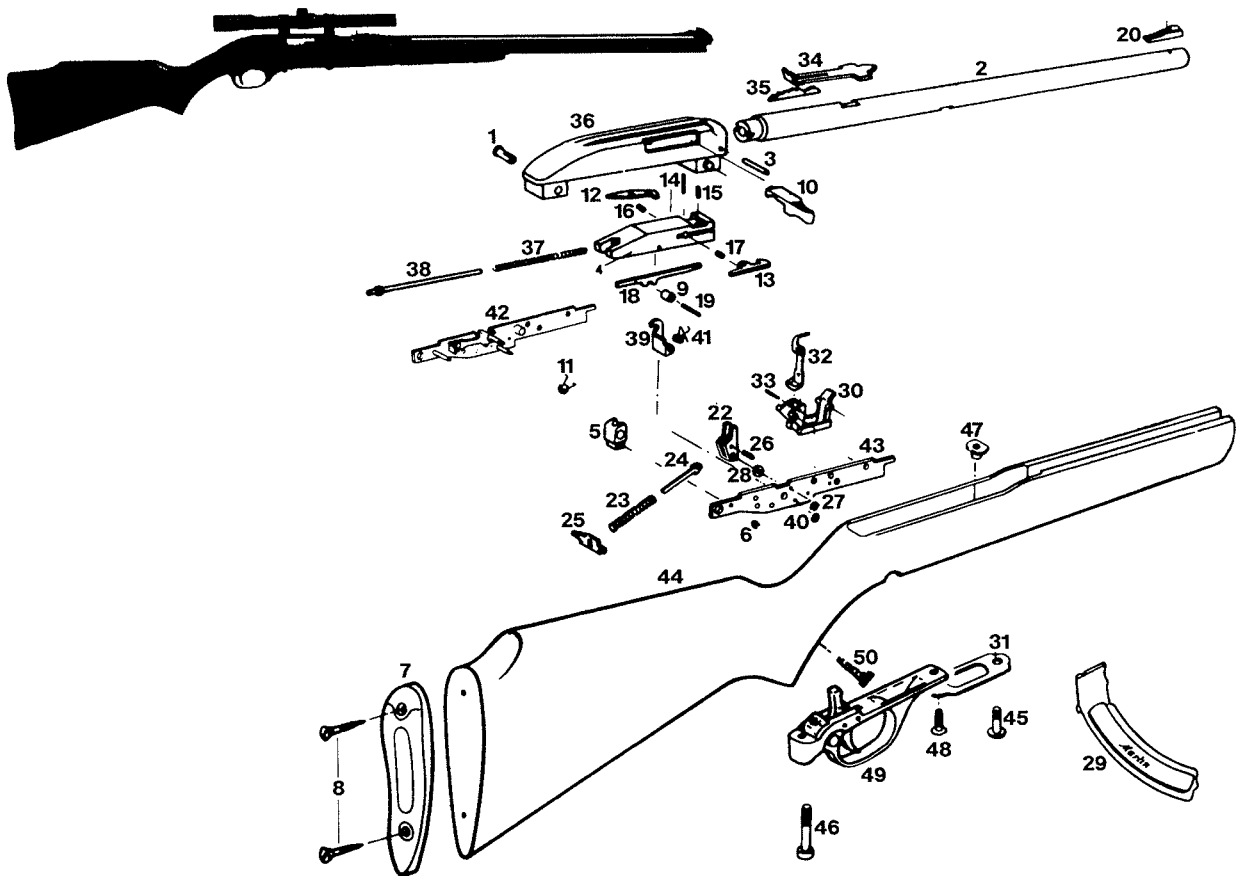
1	Barrel	21	Safety Lever Lock Ring
2	Barrel Retaining Pin	22	Safety Plunger
3	Bolt Stop	23	Striker Bushing
4	Bolt Stop Spring	24	Striker Bushing Pin
5	Bolt Stop Spring Screw	25	Striker
6	Breechbolt	26	Striker Guide Spring
7	Buttplate	27	Striker Knob
8	Buttplate Screws	28	Striker Sleeve
9	Extractor	29	Striker Sleeve Screw
10	Ejector	30	Striker Spring
11	Front Sight	31	Striker Cam Pin
12	Pistol Grip Cap	32	Stock
13	Pistol Grip Cap Screw	33	Takedown Screw
14	Receiver	34	Takedown Screw Stud
15	Receiver Extension Plate	35	Trigger
16	Receiver Extension Plate Screws	36	Trigger Guard
17	Sear	37	Trigger Guard Screws
18	Sear Spring	38	Trigger Spring
19	Safety-Lever	39	Trigger Yoke
20	Safety Lever Blade	40	Trigger Yoke Spring

Model 60 Autoloading Rifle



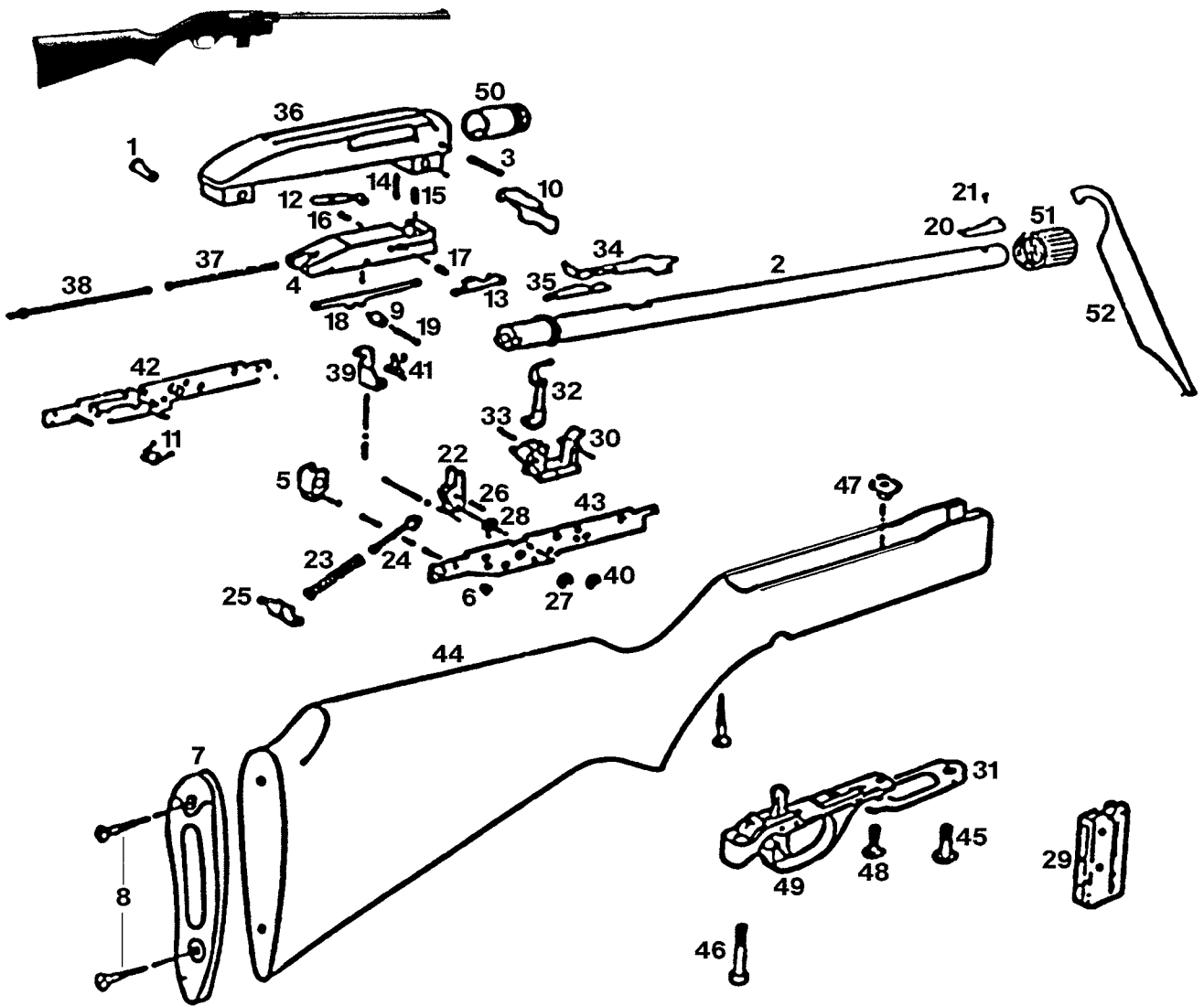
1	Assembly Post	28	Hammer Strut Bridge
2	Barrel	29	Hammer Strut Pin
3	Barrel Retaining Pin	30	Hammer Lifter Pin Ring
4	Breechbolt	31	Magazine Tube Band
5	Buffer	32	Magazine Tube Band Pin
6	Buffer Pin Ring	33	Magazine Tube, Inner
7	Buttplate	34	Magazine Tube, Outer
8	Buttplate Screws	35	Rear Sight
9	Cartridge Lifter	36	Rear Sight Elevator
10	Cartridge Lifter Roller	37	Receiver
11	Charging Handle	38	Recoil Spring
12	Disconnecter Spring	39	Recoil Spring Guide
13	Ejector Lifter Spring	40	Sear
14	Left Extractor	41	Sear Pin Ring
15	Right Extractor	42	Sear Spring
16	Extractor Pin, Left	43	Sideplate Assembly, Left
17	Extractor Pin, Right	44	Sideplate, Right
18	Extractor Spring, Left	45	Stock
19	Extractor Spring, Right	46	Takedown Screw, Front
20	Feed Throat	47	Takedown Screw, Rear
21	Firing Pin	48	Trigger Guard Assembly
22	Firing Pin Retaining Pin	49	Trigger Guard Nut
23	Front Sight	50	Trigger Guard Screw
24	Front Sight Screw	51	Bolt Release Lever
25	Hammer	52	Extension Spring
26	Hammer Spring	53	Lever Retaining Ring
27	Hammer Strut	54	Stock Reinforcement Screw

Model 70HC Autoloading Rifle



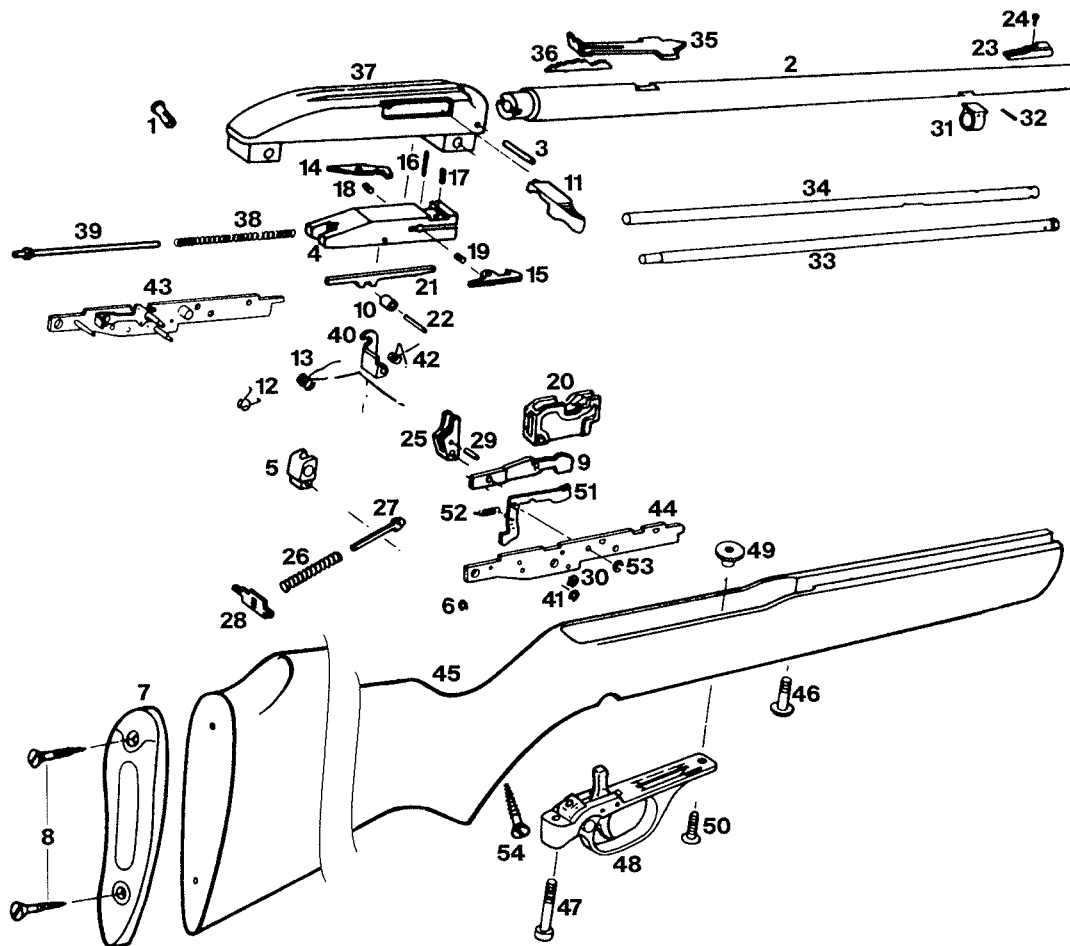
1	Assembly Post	26	Hammer Strut Pin
2	Barrel	27	Hammer Pin Ring
3	Barrel Retaining Pin	28	Hammer Spacer
4	Breechbolt	29	Magazine
5	Buffer	30	Magazine Guide
6	Buffer Pin Ring	31	Magazine Guard Plate
7	Buttplate	32	Magazine Latch and Ejector
8	Buttplate Screws	33	Magazine Latch Pin
9	Cartridge Lifter Roller	34	Rear Sight
10	Charging Handle	35	Rear Sight Elevator
11	Disconnecter Spring	36	Receiver
12	Extractor, Left	37	Recoil Spring
13	Extractor, Right	38	Recoil Spring Guide
14	Extractor Pin, Left	39	Sear
15	Extractor Pin, Right	40	Sear Pin Ring
16	Extractor Spring, Left	41	Sear Spring
17	Extractor Spring, Right	42	Sideplate, Left
18	Firing Pin	43	Sideplate, Right
19	Firing Pin Retaining Pin	44	Stock
20	Front Sight	45	Takedown Screw, Front
21	Front Sight Screw	46	Takedown Screw, Rear
22	Hammer	47	Trigger Guard Nut
23	Hammer Spring	48	Trigger Guard Screw
24	Hammer Strut	49	Trigger Guard
25	Hammer Strut Bridge	50	Stock Reinforcement Screw

Model 70P Autoloading Carbine



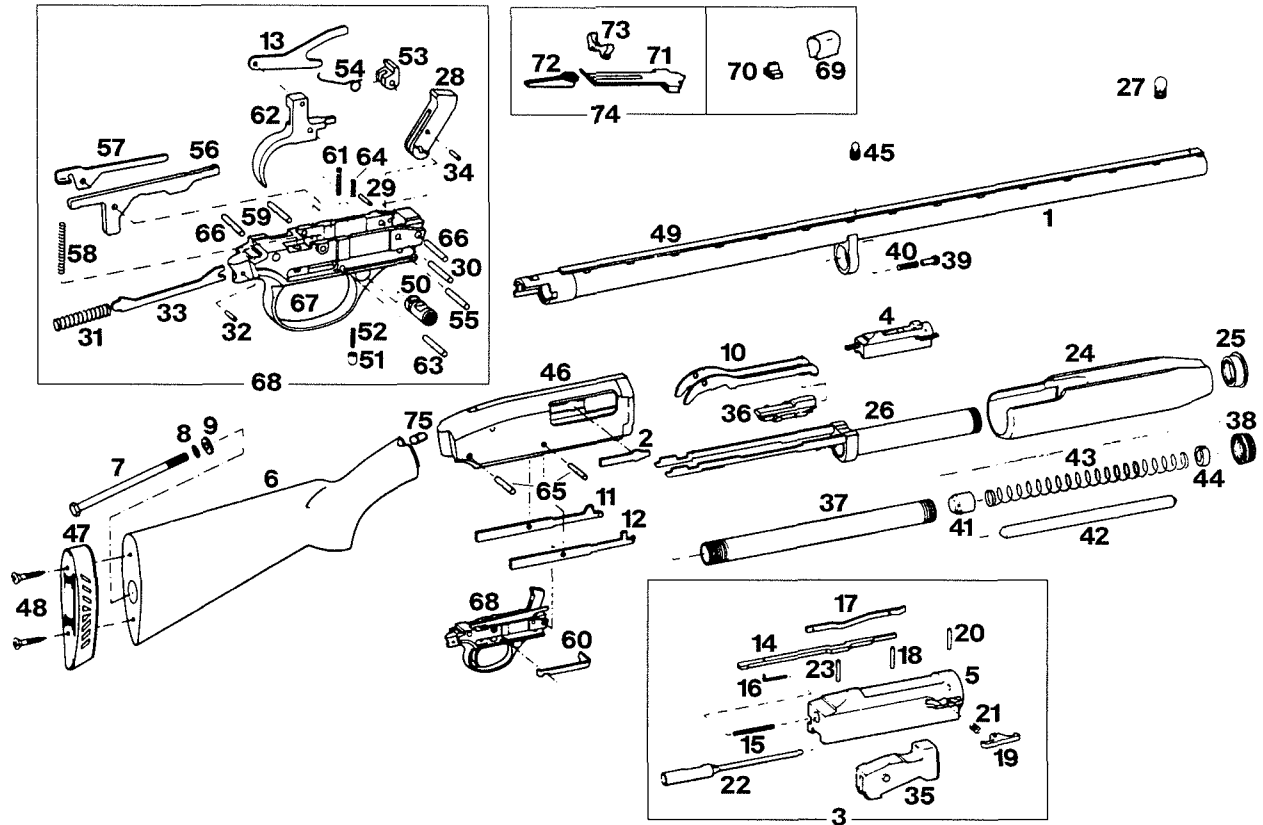
1	Assembly Post	19	Firing Pin Retaining Pin	37	Recoil Spring
2	Barrel	20	Front Sight	38	Recoil Spring Guide
3	Barrel Retaining Pin	21	Front Sight Screw	39	Sear
4	Breechbolt	22	Hammer	40	Sear Pin Ring
5	Buffer	23	Hammer Spring	41	Sear Spring
6	Buffer Pin Ring	24	Hammer Strut	42	Sideplate, Left
7	Buttplate	25	Hammer Strut Bridge	43	Sideplate, Right
8	Buttplate Screws	26	Hammer Strut Pin	44	Stock
9	Cartridge Lifter Roller	27	Hammer Pin Ring	45	Takedown Screw, Front
10	Charging Handle	28	Hammer Spacer	46	Takedown Screw, Rear
11	Disconnecter Spring	29	Magazine	47	Trigger Guard Nut
12	Extractor, Left	30	Magazine Guide	48	Trigger Guard Screw, Front
13	Extractor, Right	31	Magazine Guide Plate	49	Trigger Guard
14	Extractor Pin, Left	32	Magazine Latch and Ejector	50	Receiver Adapter
15	Extractor Pin, Right	33	Magazine Latch Pin	51	Takedown Nut
16	Extractor Spring, Left	34	Rear Sight Base	52	Spanner Wrench
17	Extractor Spring, Right	35	Rear Sight Elevator		
18	Firing Pin	36	Receiver		

Model 75 and 75C Autoloading Carbine



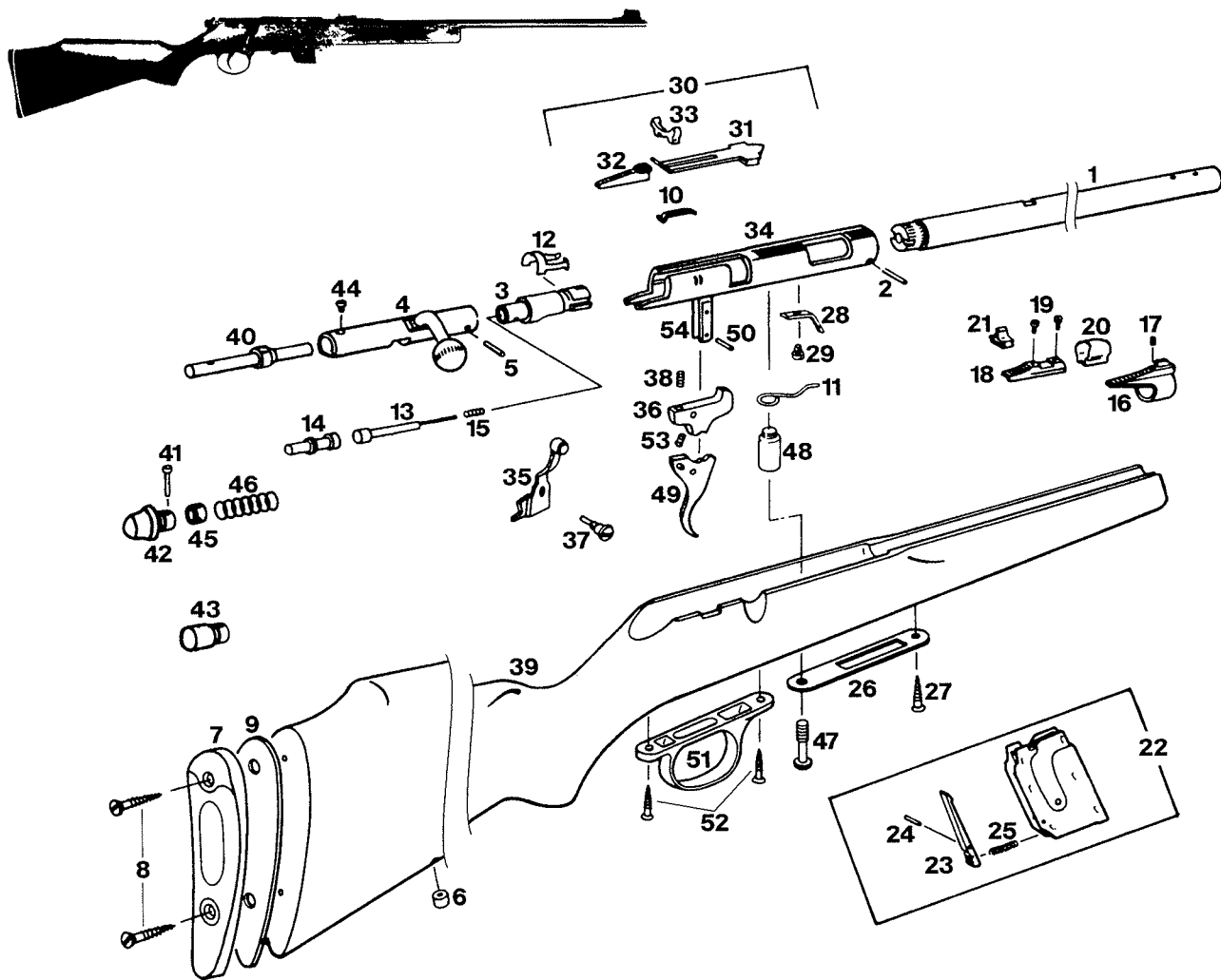
1	Assembly Post	28	Hammer Strut Bridge
2	Barrel	29	Hammer Strut Pin
3	Barrel Retaining Pin	30	Hammer/Lifter Pin Ring
4	Breechbolt	31	Magazine Tube Band
5	Buffer	32	Magazine Tube Band Pin
6	Buffer Pin Ring	33	Magazine Tube, Inside
7	Buttplate	34	Magazine Tube, Outside
8	Buttplate Screws	35	Rear Sight
9	Cartridge Lifter	36	Rear Sight Elevator
10	Cartridge Lifter Roller	37	Receiver
11	Charging Handle	38	Recoil Spring
12	Disconnecter Spring	39	Recoil Spring Guide
13	Ejector/Lifter Spring	40	Sear
14	Extractor, Left	41	Sear Pin Ring
15	Extractor, Right	42	Sear Spring
16	Extractor Pin, Left	43	Sideplate Assembly, Left
17	Extractor Pin, Right	44	Sideplate, Right
18	Extractor Spring, Left	45	Stock
19	Extractor Spring, Right	46	Takedown Screw, Front
20	Feed Throat	47	Takedown Screw, Rear
21	Firing Pin	48	Trigger Guard Assembly
22	Firing Pin Retaining Pin	49	Trigger Guard Nut, Front
23	Front Sight	50	Trigger Guard Screw, Front
24	Front Sight Screw	51	Stop/Release Lever Assembly
25	Hammer	52	Extension Spring
26	Hammer Spring	53	Lever Retaining Ring
27	Hammer Strut	54	Stock Reinforcement Screw

Model 778 and 120 and Glenfield Model 778 Slide-Action Shotgun



1	Barrel Assembly	27	Front Sight Bead	53	Sear
2	Barrel Locator	28	Hammer	54	Sear and Disconnecter Spring
3	Breechbolt Complete	29	Hammer Location Pin	55	Sear Pin
4	Breechbolt Assembly	30	Hammer Pin	56	Slide Lock
5	Breechbolt	31	Hammer Spring	57	Slide Lock Actuator
6	Buttstock	32	Hammer Spring Pin	58	Slide Lock Actuator Spring
7	Buttstock Bolt	33	Hammer Strut	59	Slide Lock Pin
8	Buttstock Bolt Lock Washer	34	Hammer Strut Pin	60	Slide Lock Release
9	Buttstock Bolt Washer	35	Locking Bolt	61	Slide Lock Spring
10	Carrier	36	Lock Bolt Slide	62	Trigger
11	Cartridge Cutoff, Left	37	Magazine Tube	63	Trigger Pin
12	Cartridge Cutoff, Right	38	Magazine Tube Cap	64	Trigger Spring
13	Disconnecter	39	Magazine Tube Cap Detent	65	Trigger Guard Retaining Pins
14	Ejector	40	Magazine Tube Cap Detent Spring	66	Trigger Guard Retaining Pin<R>Bushings
15	Ejector Spring	41	Magazine Tube Follower	67	Trigger Housing
16	Ejector Spring Retainer	42	Magazine Tube Plug	68	Trigger Housing Complete
17	Extractor, Left	43	Magazine Tube Spring	69	Front Sight Hood
18	Extractor Pin, Left	44	Magazine Tube Spring Retainer	70	Front Sight Insert
19	Extractor, Right	45	Middle Sight Bead	71	Rear Sight Base
20	Extractor Pin, Right	46	Receiver	72	Rear Sight Elevator
21	Extractor Spring, Right	47	Recoil Pad	73	Rear Sight Folding Leaf
22	Firing Pin	48	Recoil Pad Screws	74	Rear Sight Complete
23	Firing Pin Retaining Pin	49	Rib	75	Sleeve/Buttstock Bolt
24	Forearm	50	Safety		
25	Forearm Retaining Nut	51	Safety Plunger		
26	Forearm Liner Assembly	52	Safety Plunger Spring		

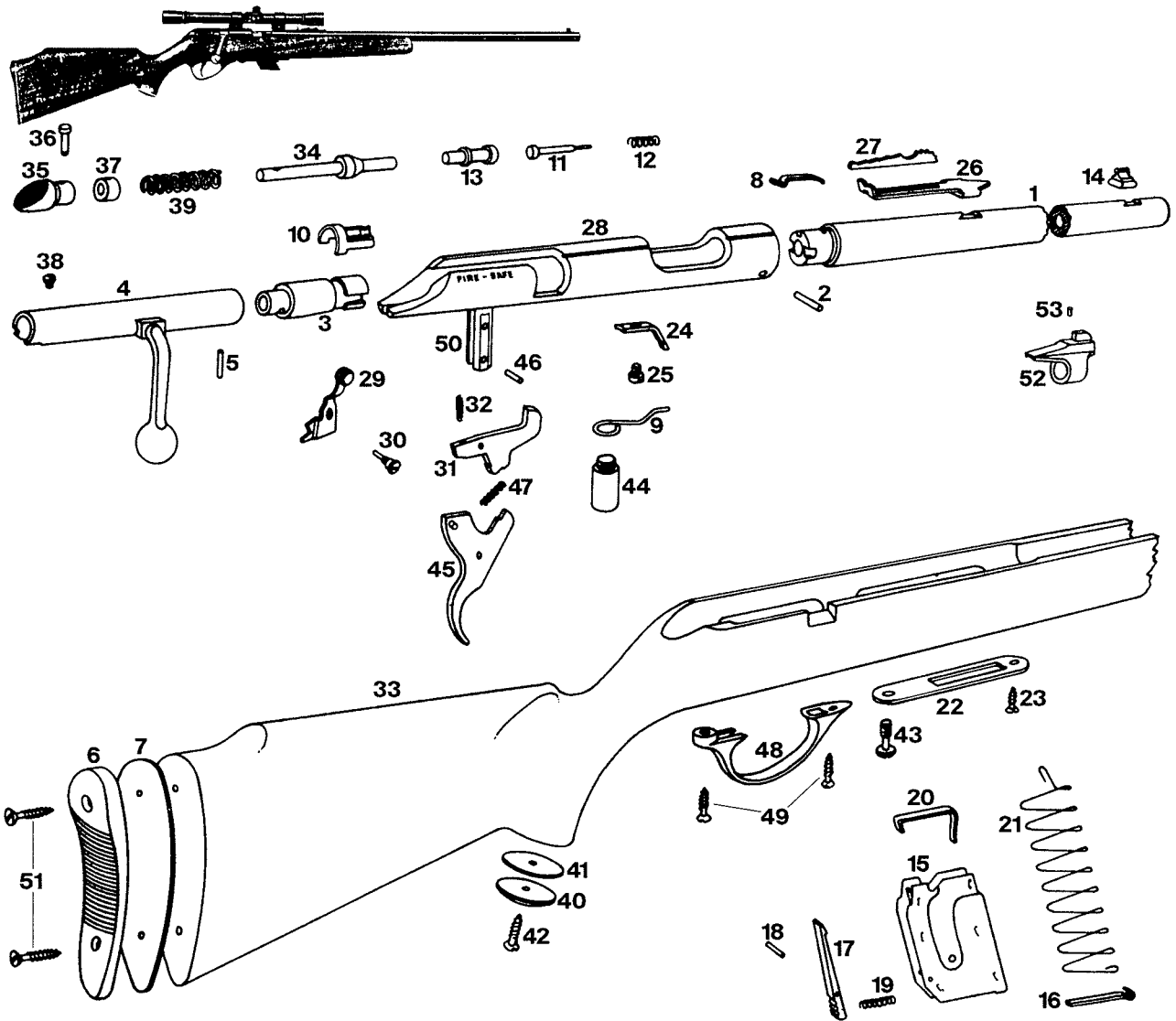
Model 780 and Glenfield Model 20 and 25 Bolt-Action Rifle



- | | | | | | |
|----|---------------------------------------|----|---------------------------------|----|--------------------------|
| 1 | Barrel | 21 | Front Sight Ramp Insert | 42 | Striker Knob (Old Style) |
| 2 | Barrel Retaining Pin | 22 | Magazine Complete | 43 | Striker Knob |
| 3 | Breechbolt, Front | 23 | Magazine Catch | 44 | Striker Retaining Screw |
| 4 | Breechbolt, Rear | 24 | Magazine Catch Pin | 45 | Striker Sleeve |
| 5 | Breechbolt Retaining Pin | 25 | Magazine Catch Spring | 46 | Striker Spring |
| 6 | Bullseye | 26 | Magazine Guard Plate | 47 | Takedown Screw |
| 7 | Buttplate | 27 | Magazine Guard Plate Screw | 48 | Takedown Screw Stud |
| 8 | Buttplate Screws | 28 | Magazine Receiver Catch | 49 | Trigger |
| 9 | Buttplate Spacer | 29 | Magazine Receiver Catch Screw | 50 | Trigger Pin |
| 10 | Cartridge Guide Spring | 30 | Rear Sight Complete (New Style) | 51 | Trigger Guard |
| 11 | Ejector | 31 | Rear Sight Base | 52 | Trigger Guard Screws |
| 12 | Extractor | 32 | Rear Sight Elevator | 53 | Trigger Spring |
| 13 | Firing Pin, Front | 33 | Rear Sight Folding Leaf | 54 | Trigger Stud |
| 14 | Firing Pin, Rear | 34 | Receiver | | |
| 15 | Firing Pin Spring | 35 | Safety | | |
| 16 | Front Sight Assembly (Old Style) | 36 | Sear | | |
| 17 | Front Sight Binding Screw (Old Style) | 37 | Sear and Safety Pivot Screw | | |
| 18 | Front Sight Ramp Base | 38 | Sear Spring | | |
| 19 | Front Sight Ramp Base Screws | 39 | Stock | | |
| 20 | Front Sight Ramp Hood | 40 | Striker | | |
| | | 41 | Striker Cam Pin | | |
| | | | | 42 | Striker Knob (Old Style) |
| | | | | 43 | Striker Knob |
| | | | | 44 | Striker Retaining Screw |
| | | | | 45 | Striker Sleeve |
| | | | | 46 | Striker Spring |
| | | | | 47 | Takedown Screw |
| | | | | 48 | Takedown Screw Stud |
| | | | | 49 | Trigger |
| | | | | 50 | Trigger Pin |
| | | | | 51 | Trigger Guard |
| | | | | 52 | Trigger Guard Screws |
| | | | | 53 | Trigger Spring |
| | | | | 54 | Trigger Stud |

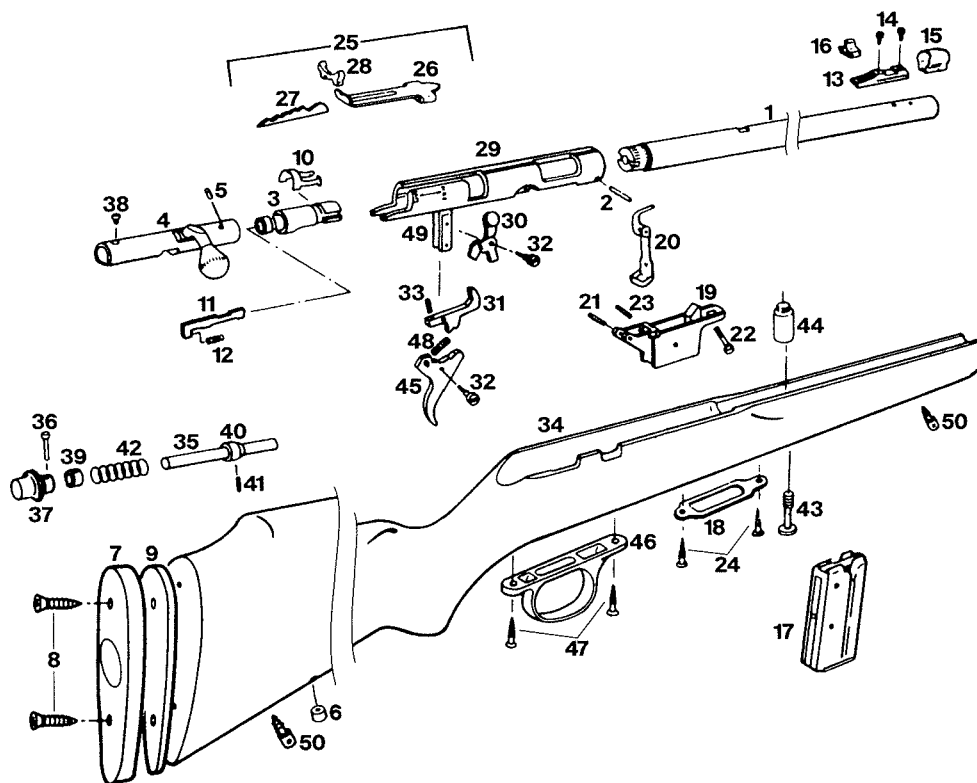
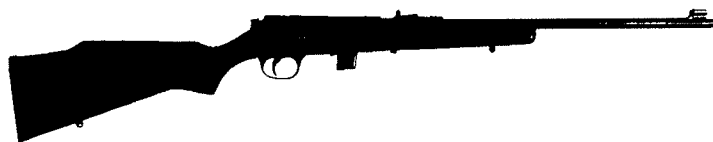
Parts Not Shown

- Rear Sight (Old Style)
- Sear (Old Style)
- Sear Spring (Old Style)
- Trigger (Old Style)
- Trigger Spring (Old Style)

MARLIN**Model 80C and 80DL Bolt-Action Rifle**

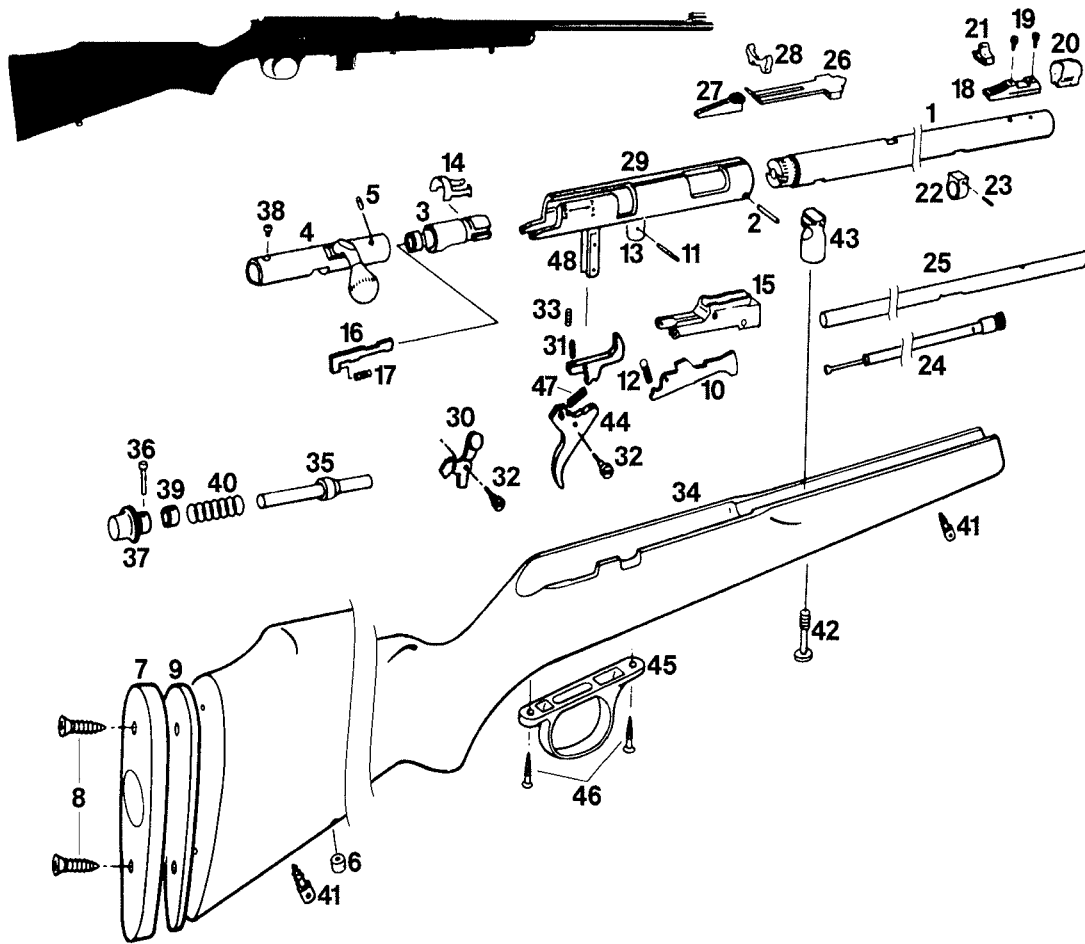
1	Barrel	20	Magazine Follower	39	Striker Spring
2	Barrel Retaining Pin	21	Magazine Follower Spring	40	Pistol Grip Cap
3	Breechbolt, Front	22	Magazine Guard Plate	41	Pistol Grip Cap Spacer
4	Breechbolt, Rear	23	Magazine Guard Plate Screw	42	Pistol Grip Cap Screw
5	Breechbolt Retaining Pin	24	Magazine Receiver Catch	43	Takedown Screw
6	Buttplate	25	Magazine Receiver Catch Screw	44	Takedown Screw Stud
7	Buttplate Spacer	26	Rear Sight	45	Trigger
8	Cartridge Guide Spring	27	Rear Sight Elevator	46	Trigger Pin
9	Ejector	28	Receiver	47	Trigger Spring
10	Extractor	29	Safety	48	Trigger Guard
11	Firing Pin, Front	30	Safety Pivot Screw	49	Trigger Guard Screws
12	Firing Pin Spring, Front	31	Sear	50	Trigger Stud
13	Firing Pin, Rear	32	Sear Spring	51	Buttplate Screws
14	Front Sight	33	Stock	52	Front Ramp Sight
15	Magazine	34	Striker	53	Front Sight Screw
16	Magazine Bottom Plate	35	Striker Knob		
17	Magazine Catch	36	Striker Cam Pin	Parts Not Shown	
18	Magazine Catch Pin	37	Striker Sleeve	Sear Pin	
19	Magazine Catch Spring	38	Striker Sleeve Screw		

Model 880 Bolt-Action Rifle



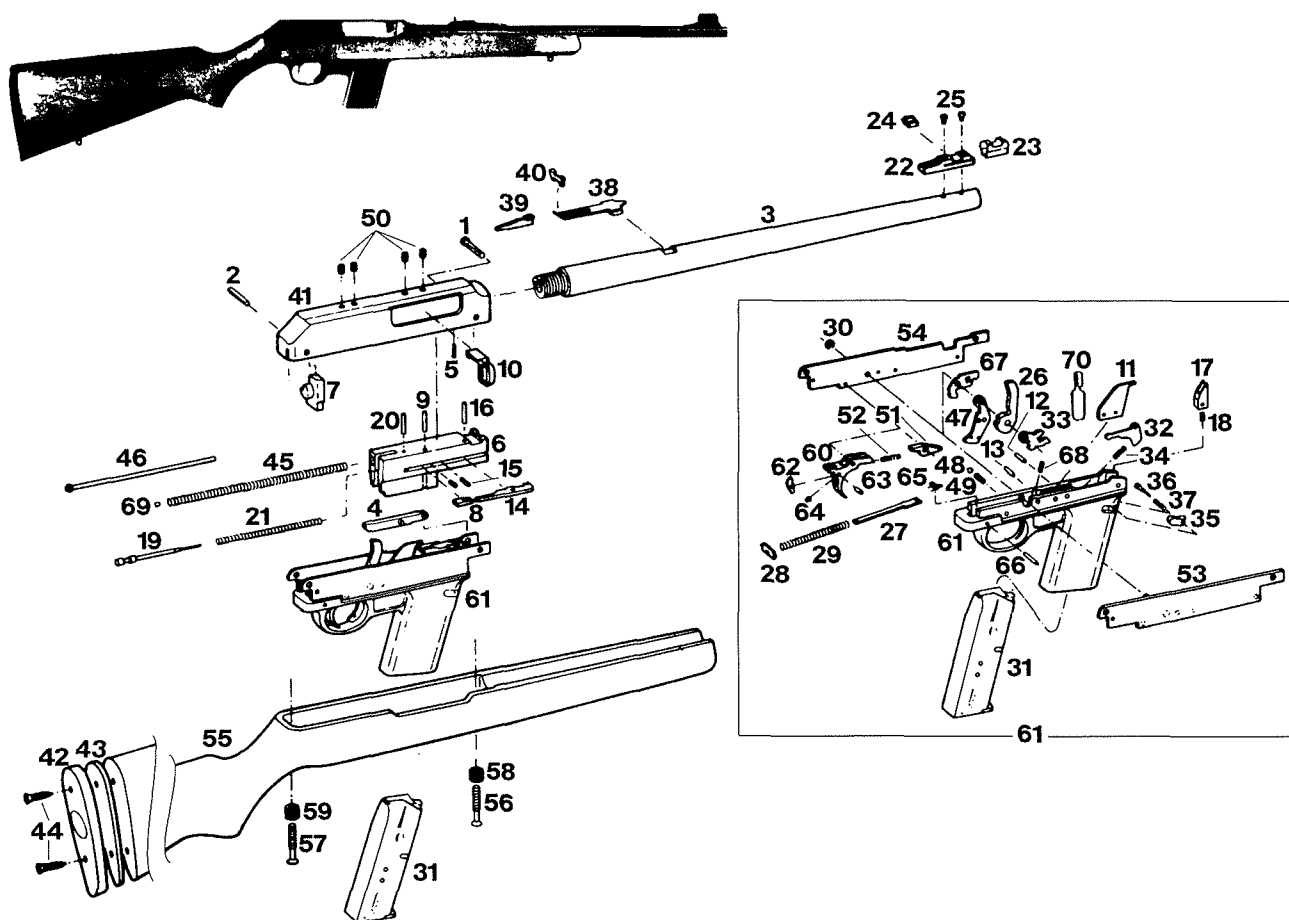
1	Barrel	26	Rear Sight Base
2	Barrel Retaining Pin	27	Rear Sight Elevator
3	Breechbolt, Front	28	Rear Sight Folding Leaf
4	Breechbolt, Rear	29	Receiver
5	Breechbolt Assembly Pin	30	Safety Assembly
6	Bullseye	31	Sear
7	Buttpad	32	Trigger Safety Screws
8	Buttpad Screws	33	Sear Spring
9	Buttpad Spacer	34	Stock
10	Extractor	35	Striker
11	Firing Pin	36	Striker Cam Pin
12	Firing Pin Spring	37	Striker Knob
13	Front Sight Ramp Base	38	Striker Retaining Screw
14	Front Sight Ramp Base Screws	39	Striker Sleeve
15	Front Sight Ramp Hood	40	Striker Cam Bushing
16	Front Sight Ramp Insert	41	Striker Assembly Pin
17	Magazine Complete	42	Striker Spring
18	Magazine Guide Plate	43	Takedown Screw
19	Magazine Guide	44	Takedown Screw Stud
20	Magazine Latch and Ejector	45	Trigger
21	Magazine Guide and Latch	46	Trigger Guard
22	Magazine Guide Screw	47	Trigger Guard Screws
23	Magazine Guide Pivot Pin	48	Trigger Spring
24	Magazine Guide Plate Screws	49	Trigger Stud
25	Rear Sight Complete	50	Swivel Studs

Model 883 Bolt-Action Rifle



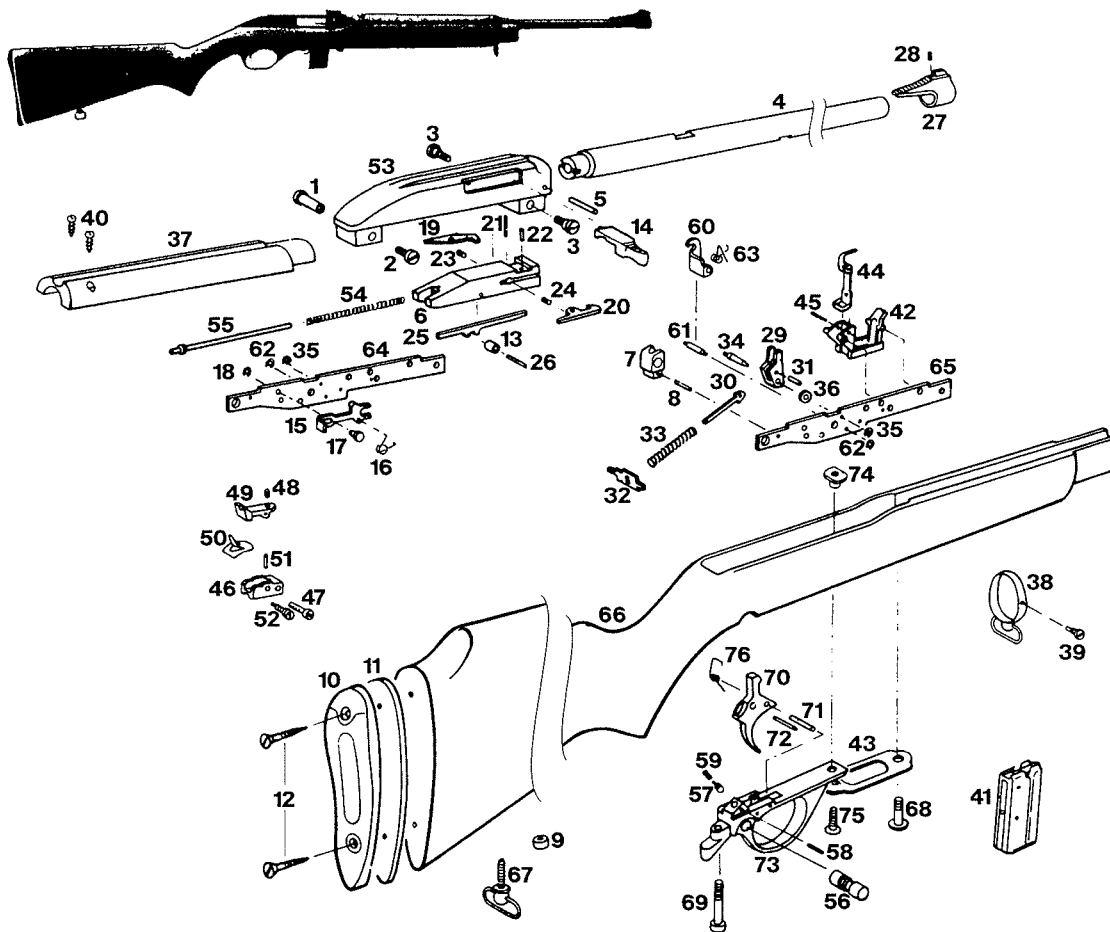
1	Barrel	25	Magazine Tube, Outside
2	Barrel Retaining Pin	26	Rear Sight Base
3	Breechbolt, Front	27	Rear Sight Elevator
4	Breechbolt, Rear	28	Rear Sight Folding Leaf
5	Breechbolt Assembly Pin	29	Receiver
6	Bullseye	30	Safety Assembly
7	Buttpad	31	Sear
8	Buttpad Screws	32	Trigger Safety Pivot Screws
9	Buttpad Spacer	33	Sear Spring
10	Cartridge Lifter	34	Stock
11	Cartridge Lifter Pivot Pin	35	Striker
12	Cartridge Lifter Spring	36	Striker Cam Pin
13	Cartridge Lifter Stud	37	Striker Knob
14	Extractor	38	Striker Retaining Screw
15	Feed Throat	39	Striker Sleeve
16	Firing Pin	40	Striker Spring
17	Firing Pin Spring	41	Swivel Studs
18	Front Sight Base	42	Takedown Screw
19	Front Sight Base Screws	43	Takedown Screw Stud
20	Front Sight Hood	44	Trigger
21	Front Sight Insert	45	Trigger Guard
22	Magazine Tube Band	46	Trigger Guard Screws
23	Magazine Tube Band Pin	47	Trigger Spring
24	Magazine Tube, Inside	48	Trigger Stud

Model 9 Autoloading Carbine



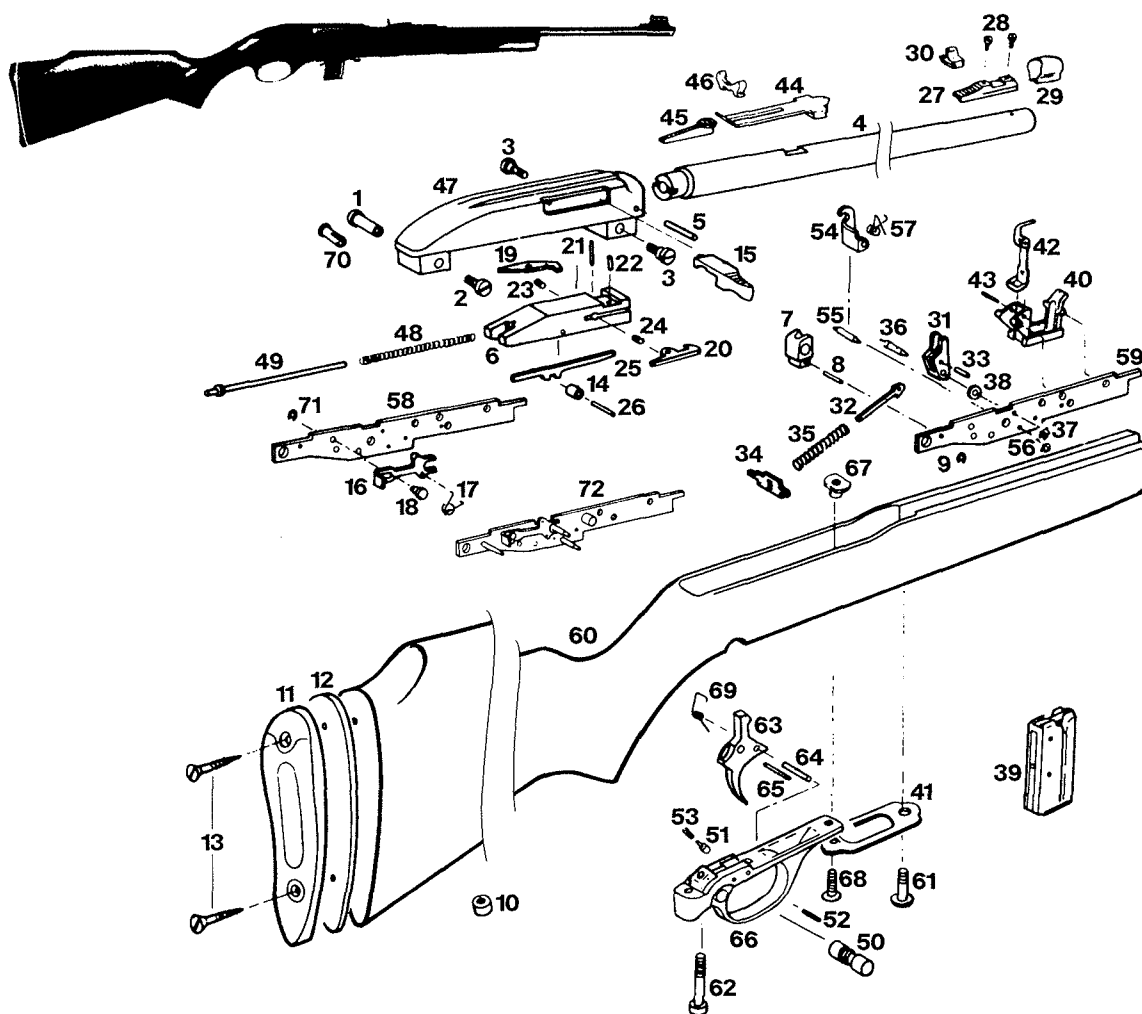
1	Action Assembly Pin, Front	24	Front Sight Ramp Red Insert	47	Safety
2	Action Assembly Pin, Rear	25	Front Sight Ramp Screws	48	Safety Plunger Ball
3	Barrel	26	Hammer	49	Safety Plunger Spring
4	Bolt Stop	27	Hammer Strut	50	Scope Mount Dummy Screws
5	Bolt Stop Spring	28	Hammer Strut Bridge	51	Sear
6	Breechbolt	29	Hammer Strut Spring	52	Sear Spring
7	Buffer	30	Hammer Pivot Pin Retaining Ring	53	Sideplate, Right
8	Cartridge Indicator	31	Magazine	54	Sideplate, Left
9	Cartridge Indicator Assembly Pin	32	Magazine Disconnect	55	Stock
10	Charging Handle	33	Magazine Disconnect Trigger Block	56	Takedown Screw, Front
11	Ejector	34	Magazine Disconnect Spring	57	Takedown Screw, Rear
12	Ejector/Magazine Disconnect Pin	35	Magazine Latch	58	Takedown Screw Bushing, Front
13	Ejector Pin, Rear	36	Magazine Latch Retaining Screw	59	Takedown Screw Bushing, Rear
14	Extractor	37	Magazine Latch Retaining Spring	60	Trigger
15	Extractor/Cartridge Indicator Springs	38	Rear Sight Base	61	Trigger Guard
16	Extractor Pin	39	Rear Sight Elevator	62	Trigger Disconnect
17	Feed Ramp	40	Rear Sight Leaf	63	Trigger Disconnect Pin
18	Feed Ramp Spring	41	Receiver	64	Trigger Disconnect Spring
19	Firing Pin	42	Recoil Pad	65	Trigger Return Spring
20	Firing Pin Assembly Pin	43	Recoil Pad Spacer	66	Trigger Return Spring Pin
21	Firing Pin Spring	44	Recoil Pad Screws	67	Trigger Block
22	Front Sight Ramp Base	45	Recoil Spring	68	Trigger Block Spring
23	Front Sight Ramp Cutaway Hood	46	Recoil Spring Rod	69	Firing Pin Bushing
				70	Manual Hold-Open Lever

Model 989M2 Autoloading Carbine



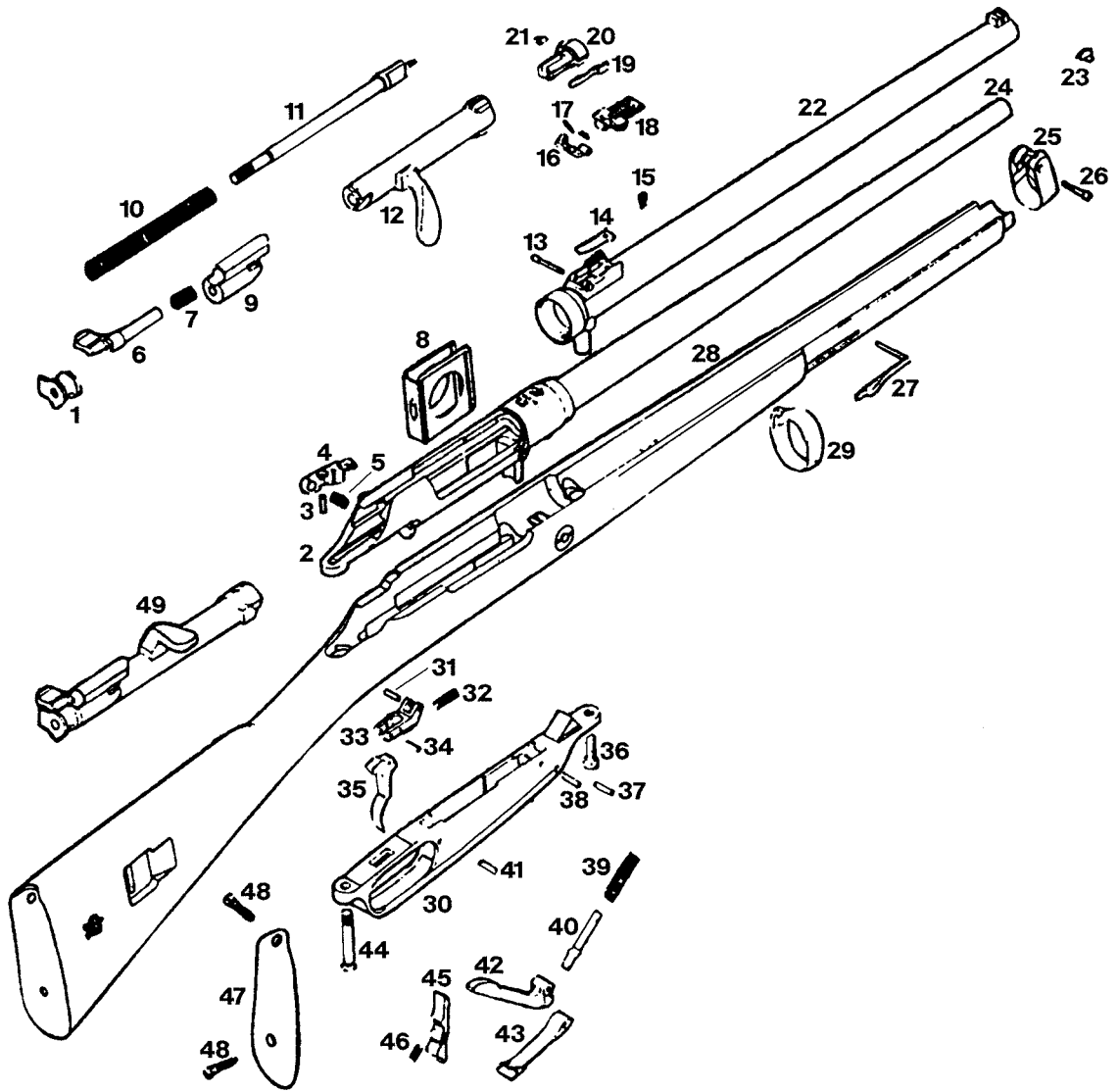
1	Assembly Post	27	Front Sight Complete	53	Receiver
2	Assembly Post Screw	28	Front Sight Binding Screw	54	Recoil Spring
3	Assembly Screws, Front	29	Hammer	55	Recoil Spring Guide
4	Barrel	30	Hammer Strut	56	Safety
5	Barrel Retaining Pin	31	Hammer Strut Pin	57	Safety Plunger
6	Breechbolt	32	Hammer Strut Bridge	58	Safety Plunger Pin
7	Buffer	33	Hammer Spring	59	Safety Plunger Spring
8	Buffer Pin	34	Hammer Pin	60	Sear
9	Bullseye	35	Hammer Pin Ring	61	Sear Pin
10	Buttplate	36	Hammer Spacer	62	Sear Pin Ring
11	Buttplate Spacer	37	Handguard	63	Sear Spring
12	Buttplate Screws	38	Handguard Band with Swivel	64	Sideplate, Left
13	Cartridge Lifter Roller	39	Handguard Band Screw	65	Sideplate, Right
14	Charging Handle	40	Handguard Screws	66	Stock
15	Disconnecter	41	Magazine Complete	67	Swivel, Rear
16	Disconnecter Spring	42	Magazine Guide	68	Takedown Screw, Front
17	Disconnecter Stud	43	Magazine Guard Plate	69	Takedown Screw, Rear
18	Disconnecter Stud Ring	44	Magazine Latch and Ejector	70	Trigger
19	Extractor, Left	45	Magazine Latch Pin	71	Trigger Pin
20	Extractor, Right	46	Rear Sight Base	72	Trigger Stop Pin
21	Extractor Pin, Left	47	Rear Sight Binding Screw	73	Trigger Guard
22	Extractor Pin, Right	48	Rear Sight Elevator Screw	74	Trigger Guard Nut, Front
23	Extractor Spring, Left	49	Rear Sight Leaf	75	Trigger Guard Screw, Front
24	Extractor Spring, Right	50	Rear Sight Leaf Spring	76	Trigger Spring
25	Firing Pin	51	Rear Sight Pin		
26	Firing Pin Retaining Pin	52	Rear Sight Windage Screw		

Model 995 Autoloading Carbine



1	Assembly Post (Old Style)	23	Extractor Spring, Left	48	Recoil Spring
2	Assembly Post Screw (Old Style)	24	Extractor Spring, Right	49	Recoil Spring Guide
3	Assembly Screws, Front (Old Style)	25	Firing Pin	50	Safety
4	Barrel	26	Firing Pin Retaining Pin	51	Safety Plunger
5	Barrel Retaining Pin	27	Front Sight Ramp Base	52	Safety Plunger Pin
6	Breechbolt	28	Front Sight Ramp Base Screws	53	Safety Plunger Spring
7	Buffer	29	Front Sight Ramp Hood	54	Sear
8	Buffer Pin (Old Style)	30	Front Sight Ramp Insert	55	Sear Pin (Old Style)
9	Buffer Pin Ring	31	Hammer	56	Sear Pin Ring
10	Bullseye	32	Hammer Strut	57	Sear Spring
11	Buttplate	33	Hammer Strut Pin	58	Sideplate, Left
12	Buttplate Spacer	34	Hammer Strut Bridge	59	Sideplate, Right
13	Buttplate Screws	35	Hammer Spring	60	Stock
14	Cartridge Lifter Roller	36	Hammer Pin (Old Style)	61	Takedown Screw, Front
15	Charging Handle	37	Hammer Pin Ring	62	Takedown Screw, Rear
16	Disconnecter	38	Hammer Spacer	63	Trigger
17	Disconnecter Spring	39	Magazine Complete	64	Trigger Pin
18	Disconnecter Stud (Old Style)	40	Magazine Guide	65	Trigger Stop Pin
19	Extractor, Left	41	Magazine Guard Plate	66	Trigger Guard
20	Extractor, Right	42	Magazine Latch and Ejector	67	Trigger Guard Nut, Front
21	Extractor Pin, Left	43	Magazine Latch Pin	68	Trigger Guard Screw, Front
22	Extractor Pin, Right	44	Rear Sight Base	69	Trigger Spring
		45	Rear Sight Elevator	70	Assembly Post (New Style)
		46	Rear Sight Folding Leaf	71	Disconnecter Stud Ring
		47	Receiver	72	Sideplate Sub-Assembly, Left

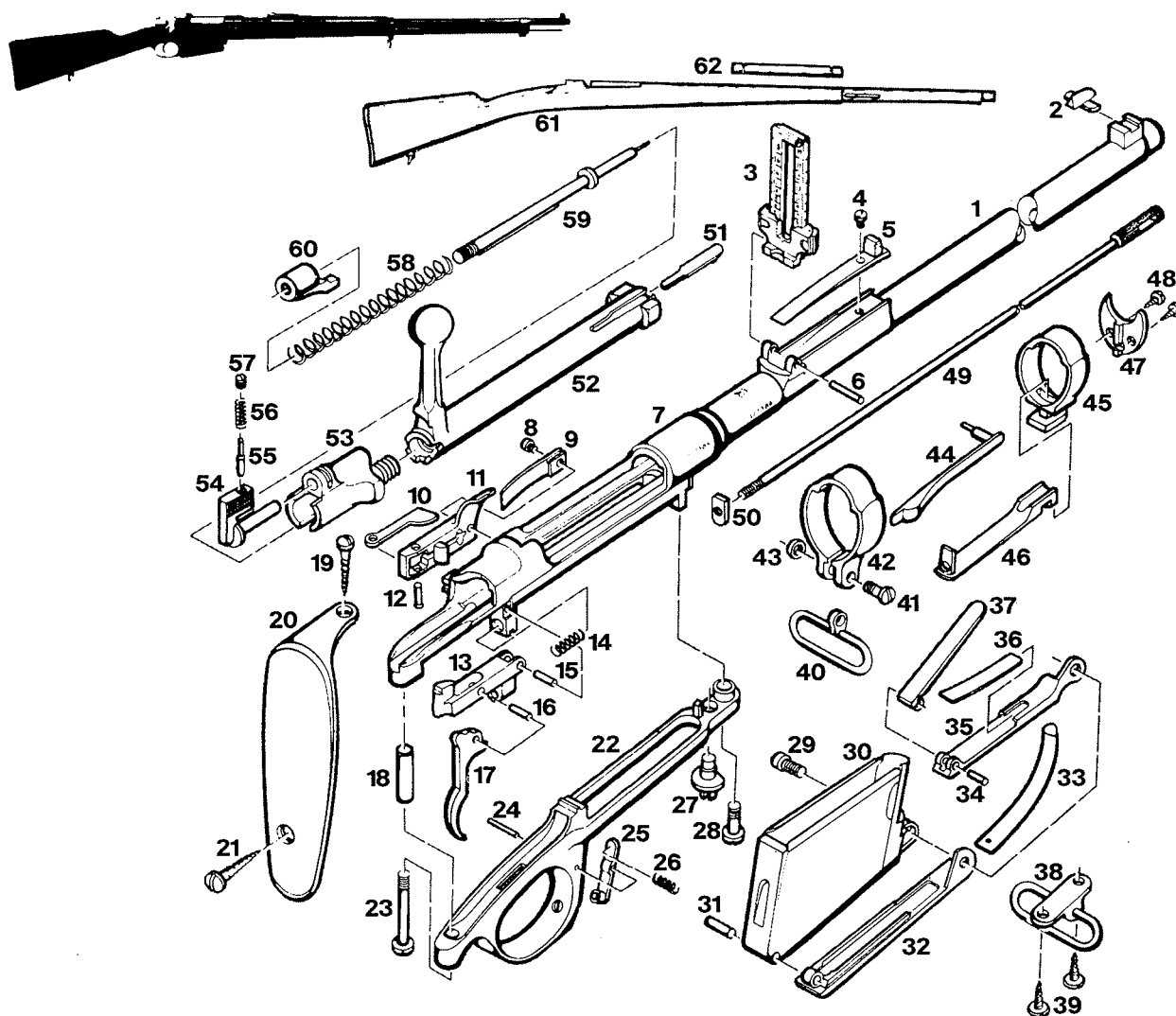
Model 1888 Commission Bolt-Action Rifle



1	Firing Pin Nut	18	Adjustable Range Leaf and Slide	35	Trigger
2	Receiver	19	Extractor	36	Front Guard Screw
3	Bolt Stop Pin	20	Bolt Head	37	Dust Cover Screw
4	Bolt Stop	21	Ejector	38	Follower Axle Screw
5	Bolt Stop Spring	22	Barrel Jacket	39	Follower Spring
6	Safety	23	Front Sight	40	Follower Spring Guide
7	Safety Spring	24	Barrel	41	Clip Latch Screw
8	Stripper Clip	25	Upper Band	42	Magazine Follower
9	Cocking Piece	26	Upper Band Screw	43	Magazine Bottom, Front
10	Firing Pin Spring	27	Lower Band Spring	44	Rear Guard Screw
11	Firing Pin	28	Stock	45	Clip Latch
12	Bolt	29	Lower Band	46	Clip Latch Spring
13	Rear Sight Hinge Pin	30	Trigger Guard	47	Buttplate
14	Sight Spring	31	Sear Pin	48	Buttplate Screws
15	Sight Spring Screw	32	Sear Spring	49	Assembled Bolt Complete
16	Fixed Range Leaf	33	Sear		
17	Fixed Range Leaf Spring	34	Trigger Pin		

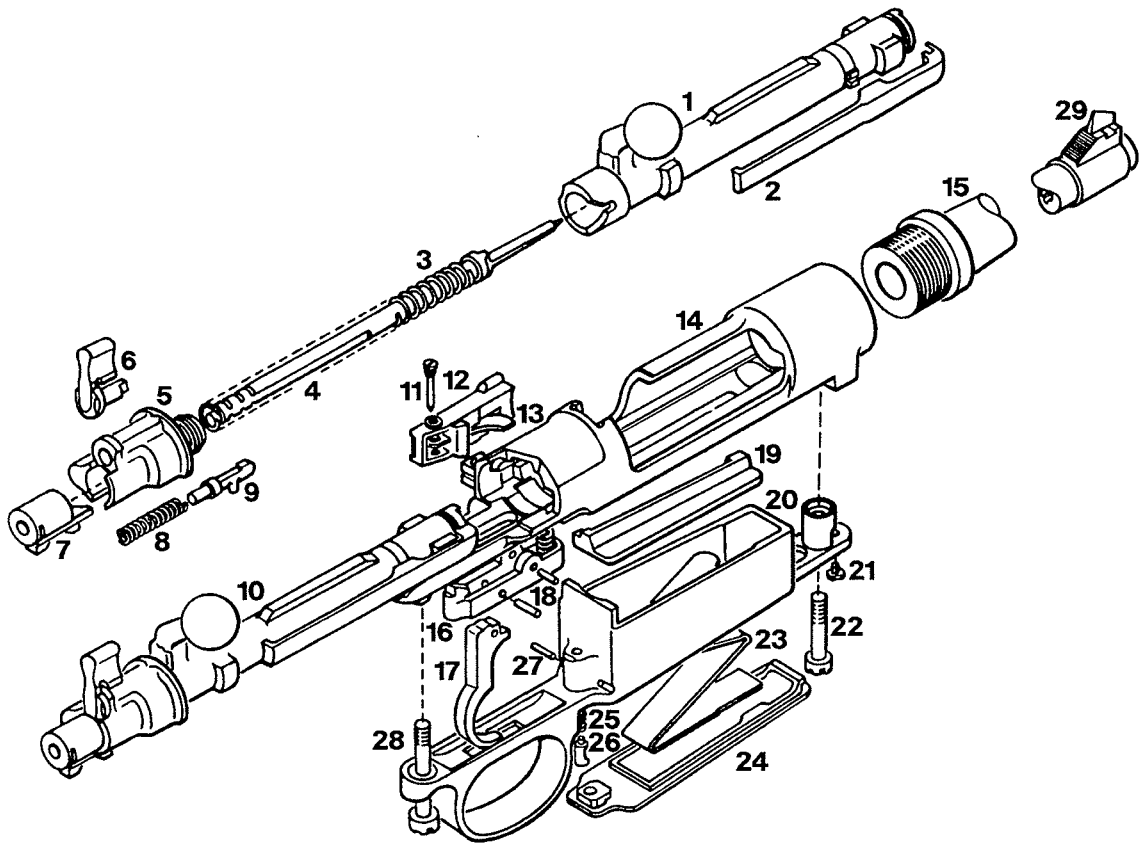
Model 1891 Argentine Bolt-Action Rifle

Courtesy of Thomas E. Wessel



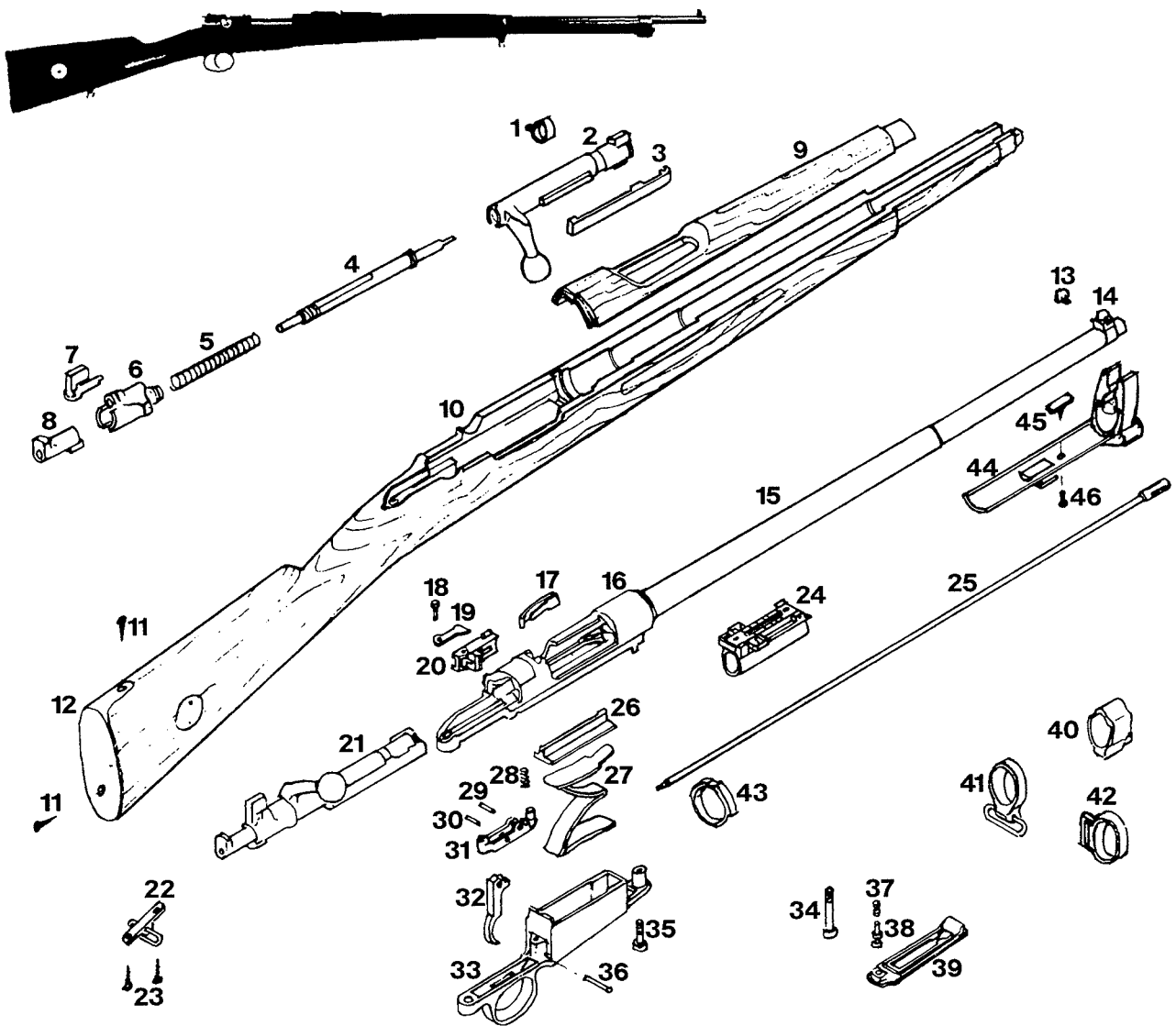
1	Barrel	22	Trigger Guard	43	Front Swivel Nut
2	Front Sight	23	Rear Guard Screw	44	Lower Band Spring
3	Rear Sight	24	Magazine Latch Pin	45	Upper Band
4	Rear Sight Spring Screw	25	Magazine Latch	46	Upper Band Spring
5	Rear Sight Spring	26	Magazine Latch Spring	47	Front Plate
6	Rear Sight Pin	27	Magazine Catch	48	Front Plate Screws
7	Receiver	28	Front Guard Screw	49	Cleaning Rod
8	Bolt Stop Spring Screw	29	Follower Screw	50	Cleaning Rod Stop
9	Bolt Stop Spring	30	Magazine	51	Extractor
10	Ejector	31	Floorplate Pin	52	Bolt
11	Bolt Stop	32	Floorplate	53	Bolt Sleeve
12	Bolt Stop Pin	33	Floorplate Spring	54	Safety
13	Sear	34	Follower Pin	55	Safety Detent
14	Sear Spring	35	Follower Arm	56	Safety Detent Spring
15	Sear Pin	36	Follower Spring	57	Safety Detent Screw
16	Trigger Pin	37	Magazine Follower	58	Mainspring
17	Trigger	38	Rear Swivel	59	Firing Pin
18	Rear Guard Screw Bushing	39	Rear Swivel Screws	60	Cocking Piece
19	Top Buttplate Screw	40	Front Swivel	61	Stock
20	Buttplate	41	Front Swivel Screw	62	Handguard
21	Rear Buttplate Screw	42	Lower Band		

Model 1893 Bolt-Action Rifle



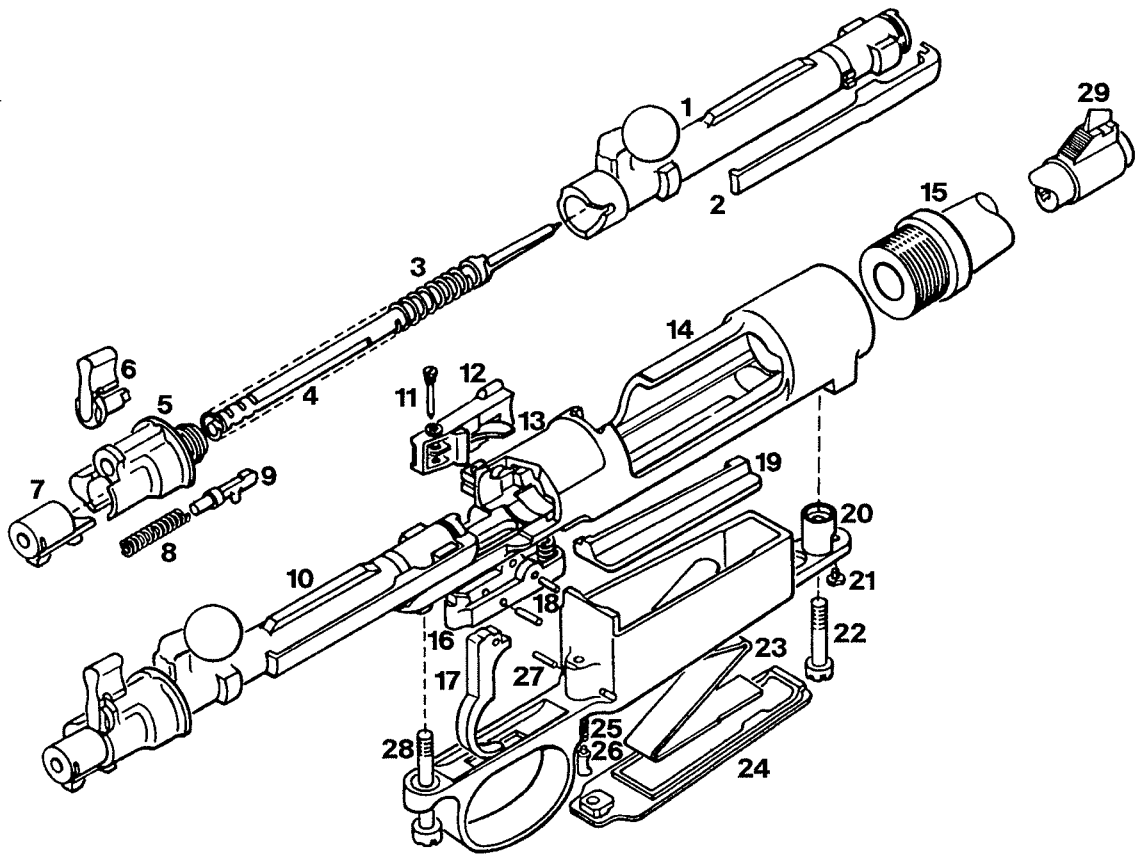
1	Bolt Body	20	Trigger Guard
2	Extractor	21	Lock Screw
3	Firing Pin Spring	22	Front Guard Screw
4	Firing Pin	23	Magazine Spring
5	Bolt Sleeve	24	Floorplate
6	Safety Catch	25	Floorplate Latch Spring
7	Cocking Piece	26	Floorplate Latch
8	Bolt Sleeve Stop Spring	27	Floorplate Latch Pin
9	Bolt Sleeve Stop	28	Rear Guard Screw
10	Bolt Assembly	29	Front Sight
11	Bolt Stop Screw	Parts Not Shown	
12	Bolt Stop and Spring	Bolt Stop	
13	Ejector	Bolt Stop Assembly	
14	Receiver	Bolt Stop Spring	
15	Barrel	Ejector Spring	
16	Sear	Extractor Spring	
17	Trigger	Extractor Collar	
18	Sear and Trigger Pins	Sear Spring	
19	Magazine Follower		

Model 1894 Bolt-Action Rifle



1	Extractor Collar	17	Ejector Spring	33	Trigger Guard Stripped
2	Bolt Stripped	18	Ejector Screw	34	Rear Guard Screw
3	Extractor	19	Ejector	35	Front Guard Screw
4	Firing Pin	20	Ejector Box Complete	36	Floorplate Catch Pin
5	Firing Pin Spring	21	Bolt Complete	37	Floorplate Catch Spring
6	Bolt Sleeve	22	Rear Swivel	38	Floorplate Catch
7	Safety	23	Rear Swivel Screws	39	Floorplate
8	Cocking Piece	24	Rear Sight Complete	40	Bayonet Stud, Short
9	Handguard	25	Cleaning Rod	41	Handguard Band with Swivel
10	Stock	26	Follower	42	Handguard Band
11	Buttplate Screws	27	Follower Spring	43	Handguard Ring, Rear
12	Buttplate	28	Sear Spring	44	Bayonet Stud, Long
13	Front Sight	29	Sear Pin	45	Bayonet Stud Nut
14	Front Sight Band	30	Trigger Pin	46	Bayonet Stud Screw
15	Barrel	31	Sear		
16	Receiver	32	Trigger		

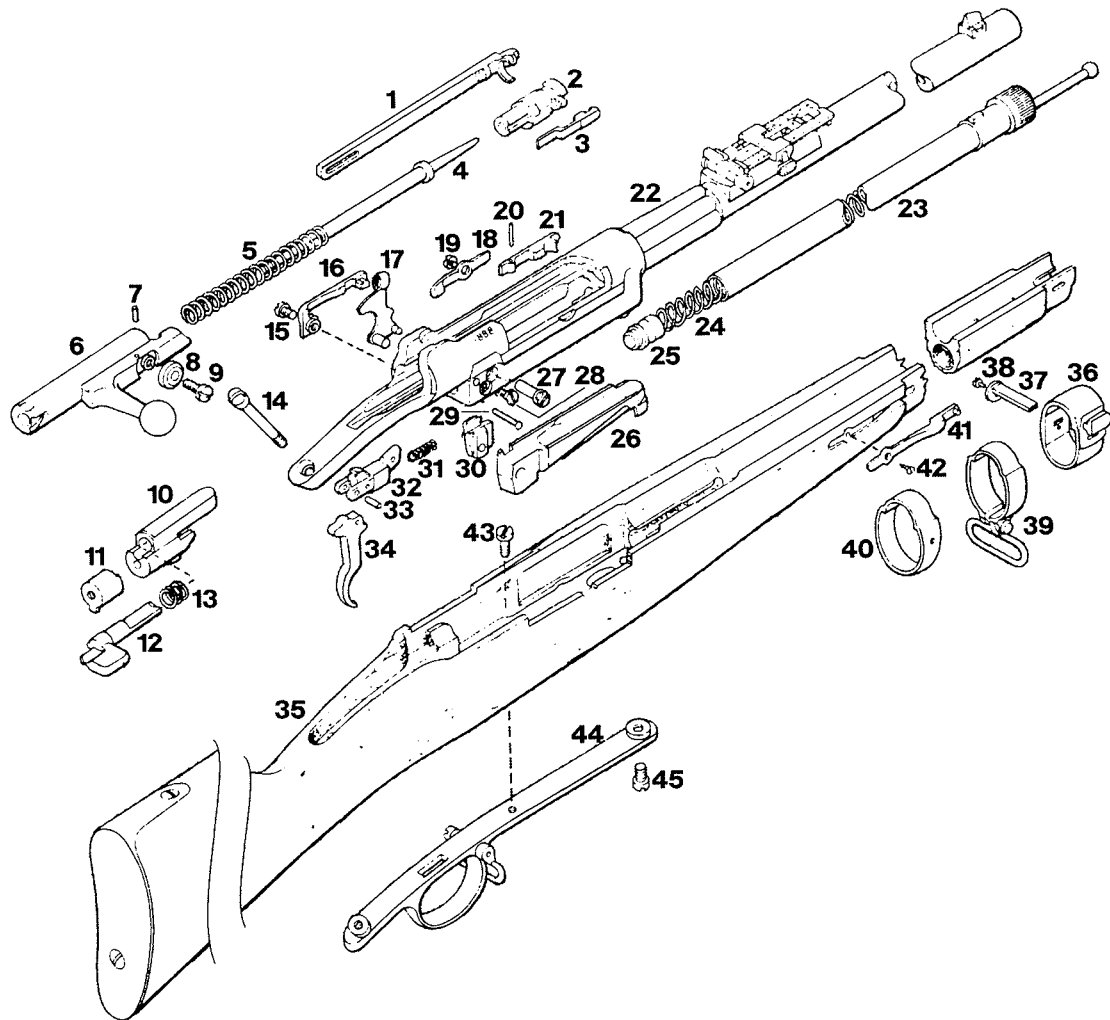
Model 1896 Bolt-Action Rifle



1	Bolt Body	20	Trigger Guard
2	Extractor	21	Lock Screw
3	Firing Pin Spring	22	Front Guard Screw
4	Firing Pin	23	Magazine Spring
5	Bolt Sleeve	24	Floorplate
6	Safety Catch	25	Floorplate Latch Spring
7	Cocking Piece	26	Floorplate Latch
8	Bolt Sleeve Stop Spring	27	Floorplate Latch Pin
9	Bolt Sleeve Stop	28	Rear Guard Screw
10	Bolt Assembly	29	Front Sight
11	Bolt Stop Screw		
12	Bolt Stop and Spring	Parts Not Shown	
13	Ejector		Bolt Stop
14	Receiver		Bolt Stop Assembly
15	Barrel		Bolt Stop Spring
16	Sear		Ejector Spring
17	Trigger		Extractor Collar
18	Sear And Trigger Pins		Sear Spring
19	Magazine Follower		

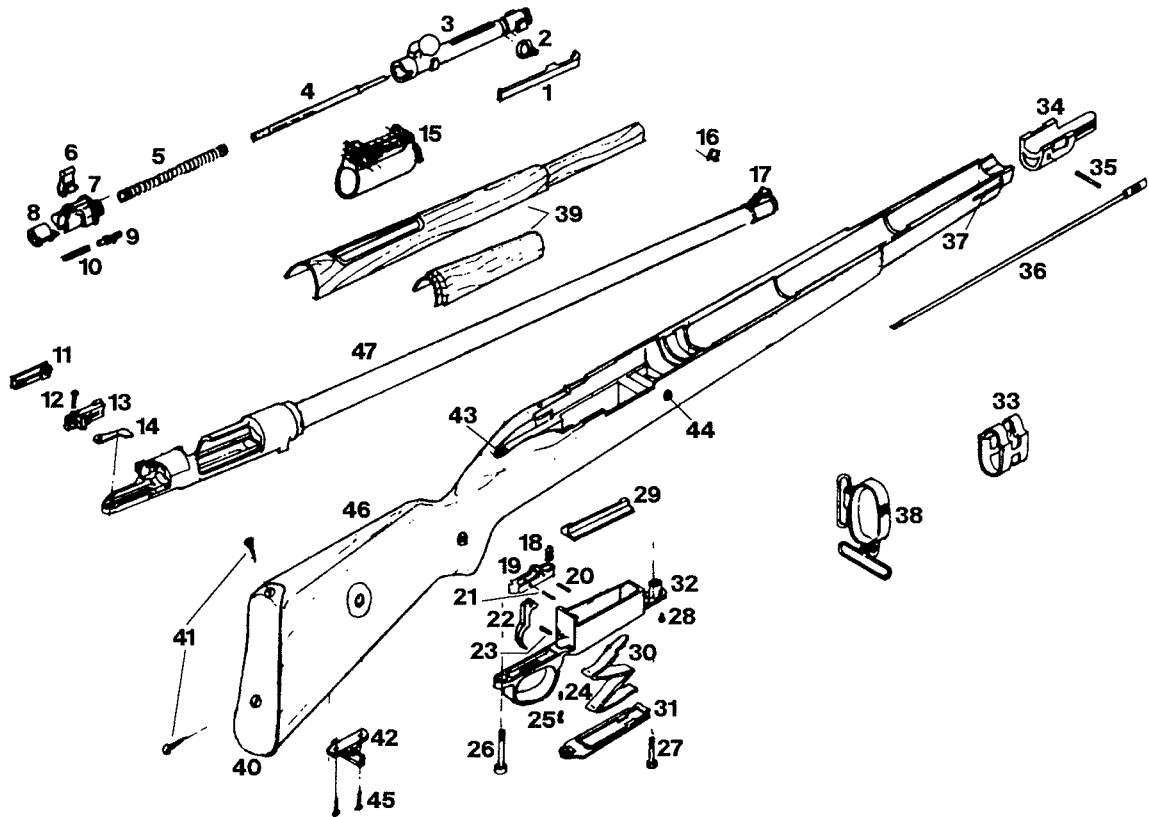
Model 71/84 Bolt-Action Rifle

Courtesy of Blacksmith Corporation



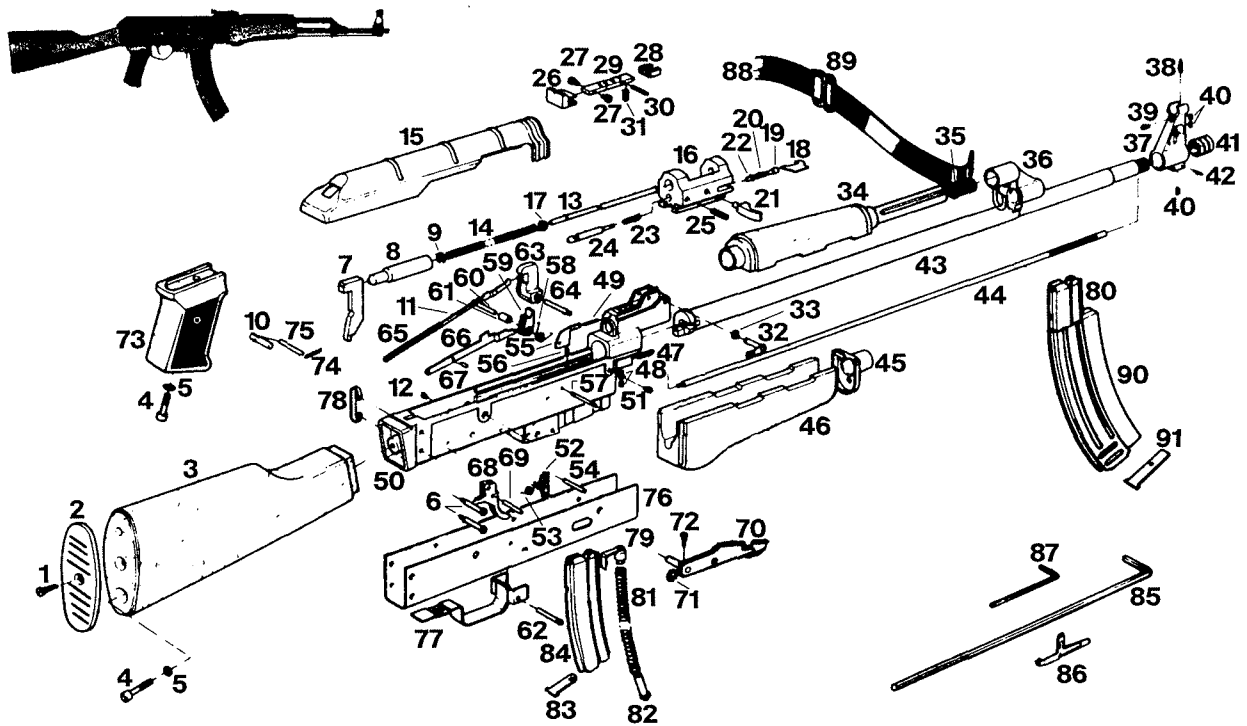
1	Ejector	16	Cutoff Spring	31	Sear Spring
2	Bolt Head	17	Cutoff Lever	32	Sear
3	Extractor	18	Cartridge Lifter Detent	33	Trigger Pin
4	Firing Pin	19	Detent Retainer Screw	34	Trigger
5	Firing Pin Spring	20	Cartridge Stop Pin	35	Stock
6	Bolt Body	21	Cartridge Stop	36	Forward Band
7	Retainer Pin	22	Barrel and Receiver	37	Cross KEY
8	Bolt Stop	23	Magazine Tube	38	KEY Retaining Screw
9	Bolt Stop Screw	24	Magazine Spring	39	Middle Band
10	Cocking Piece	25	Magazine Follower	40	Rear Band
11	Firing Pin Nut	26	Cartridge Lifter	41	Band Spring
12	Safety Catch	27	Cartridge Lifter Hinge	42	Band Spring Screw
13	Safety Catch Spring	28	Hinge Lock Screw	43	Center Trigger Guard Screw
14	Rear Guard Screw	29	Sear Hinge Pin	44	Trigger Guard
15	Cutoff Spring Screw	30	Cutoff Cam	45	Front Guard Screw

Model 98 Bolt-Action Rifle



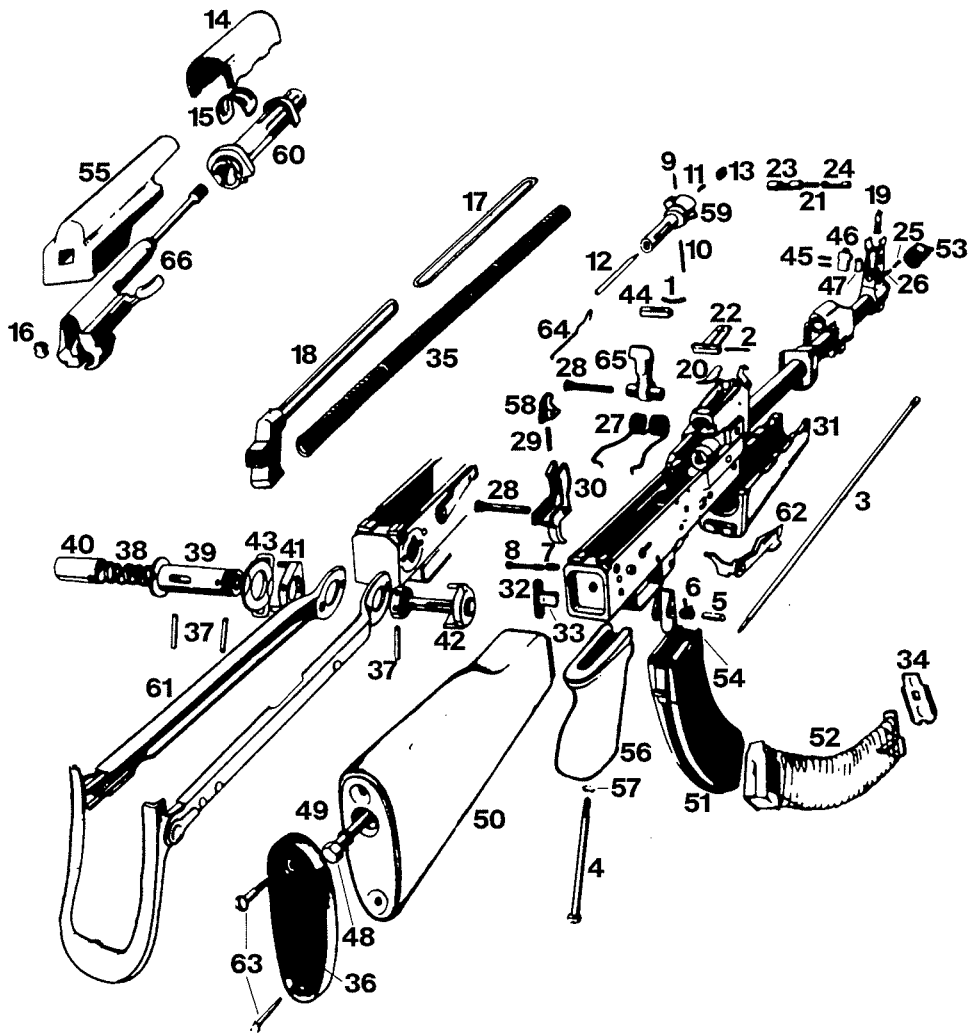
1	Extractor	25	Floorplate Catch
2	Extractor Collar	26	Rear Guard Screw
3	Stripped Bolt	27	Front Guard Screw
4	Firing Pin	28	Lock Screw
5	Firing Pin Spring	29	Follower
6	Safety	30	Magazine Spring
7	Bolt Sleeve	31	Floorplate
8	Cocking Piece	32	Trigger Guard
9	Bolt Sleeve Catch	33	Front Band
10	Bolt Sleeve Catch Spring	34	Bayonet Stud
11	Ejector Spring and Bolt Stop Assembly	35	Bayonet Stud Pin
12	Bolt Stop Screw	36	Cleaning Rod
13	Bolt Stop	37	Front Band Spring
14	Ejector	38	Lower Band with Side and Bottom Swivels
15	Rear Sight Complete	39	Handguard
16	Front Sight Blade	40	Buttplate
17	Front Sight Complete	41	Butt Screws
18	Sear Spring	42	Rear Swivel
19	Sear	43	Rear Guard Screw Bushing
20	Sear Pin	44	Recoil Lug Assembly
21	Trigger Pin	45	Rear Swivel Screws
22	Trigger	46	Stock
23	Floorplate Catch Pin	47	Barrel
24	Floorplate Catch Spring		

AK-22 Autoloading Rifle



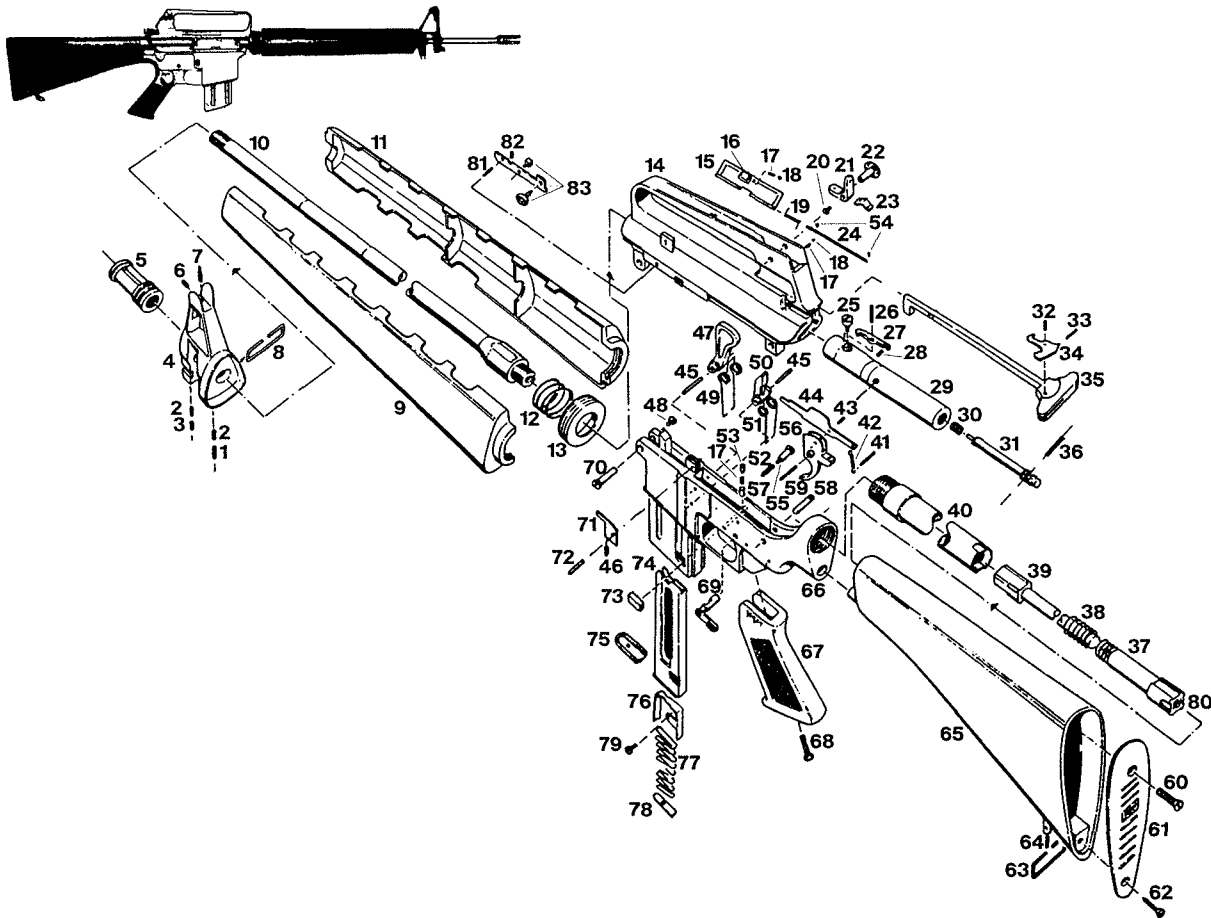
1	Buttplate Screw	32	Upper Handguard Catch	63	Hammer
2	Buttplate	33	Handguard Catch Ring	64	Hammer Pin
3	Stock	34	Front Handguard Holder, Upper	65	Hammer Spring
4	Grip Screws	35	Upper Handguard Spring	66	Sear Lever
5	Washers	36	Upper Handguard Support	67	Sear Lever Pin
6	Rear Link Screws	37	Front Sight Ramp and Hood	68	Trigger
7	Recoil Spring Support	38	Front Sight	69	Trigger Pin
8	Limiting Device	39	Front Sight Stop Screw	70	Safety
9	Recoil Spring Stop Ring	40	Front Sight Ramp Stop Screws	71	Safety Holding Ring
10	Hammer Spring Holding Pin	41	Barrel Cap	72	Safety Screw
11	Hammer Spring Guide	42	Front Sight Ramp and Hood Pin	73	Grip
12	Scope Mount Filler Screws	43	Barrel	74	Trigger Spring
13	Recoil Spring Guide	44	Cleaning Rod	75	Trigger Spring Pin
14	Recoil Spring	45	Lower Handguard Support	76	Frame Cover
15	Upper Cover	46	Lower Handguard	77	Trigger Guard
16	Bolt	47	Cleaning Rod Spring	78	Rear Link
17	Recoil Spring Guide Bushing	48	Barrel Catch Screws	79	Magazine Follower
18	Extractor	49	Cover Catch Pin	80	Long Magazine Box
19	Extractor Pin	50	Frame	81	Magazine Spring
20	Extractor Spring	51	Frame Cover Catch Screw	82	Magazine Spring Guide Pin
21	Cocking Lever	52	Magazine Catch	83	Short Magazine Box Base
22	Cocking Lever Catch Pin	53	Magazine Catch Spring	84	Short Magazine Box
23	Firing Pin Spring	54	Magazine Catch Pin	85	Stock Set Screw Wrench
24	Striker	55	Ejector	86	Front Sight Adjustment Tool
25	Striker Pin	56	Ejector Spring	87	Front Sight Set Screw Wrench
26	Rear Sight Blade	57	Ejector Pin	88	Sling
27	Rear Sight Adjusting Screws	58	Sear Spring	89	Sling Buckle
28	Rear Sight Elevator	59	Sear	90	Long Magazine Body
29	Rear Sight Base	60	Sear Pin	91	Long Magazine Base
30	Rear Sight Pin	61	Sear Spacer		
31	Rear Sight Spring	62	Trigger Guard Pin		

AK-47 Autoloading Rifle



1	Rear Night Sight Spring	23	Rear Sight Slide	45	Front Night Sight Pins
2	Rear Night Sight Pin	24	Rear Sight Leaf Slide Catch	46	Front Night Sight
3	Cleaning Rod	25	Muzzle Brake Plunger	47	Front Night Sight Spring
4	Handgrip Bolt	26	Muzzle Brake Plunger Spring	48	Stock Bolt
5	Magazine Latch Pin	27	Hammer Spring	49	Stock Bolt Washer
6	Magazine Latch Spring	28	Hammer and Trigger Pin	50	Buttstock
7	Cover Latch Lock Spring	29	Disconnecter Spring	51	Magazine Body
8	Cover Lock Plunger	30	Trigger	52	Magazine Follower
9	Extractor Pin	31	Forend, Lower	53	Muzzle Brake
10	Extractor Pin Spring	32	Rear Sling Swivel	54	Magazine Latch
11	Extractor Spring	33	Rear Sling Swivel Base	55	Upper Receiver Cover
12	Firing Pin	34	Magazine Floorplate	56	Handgrip
13	Extractor	35	Recoil Spring	57	Handgrip Bolt Washer
14	Forend, Upper	36	Recoil Pad	58	Disconnecter
15	Forend Support	37	Folding Stock Hinge Pins	59	Bolt
16	Recoil Spring Securing Ring	38	Folding Stock Plunger Spring	60	Gas Tube
17	Recoil Spring Guide, Front	39	Folding Stock Stock Hinge	61	Folding Buttstock Sub-Assembly
18	Recoil Spring Rear Assembly	40	Folding Stock Plunger	62	Safety-Lever
19	Front Sight Post	41	Folding Stock Base	63	Recoil Pad Screws
20	Rear Sight Leaf Spring	42	Folding Stock Receiver	64	Securing Pin
21	Slide Catch Spring	43	Folding Stock Base Washer	65	Hammer
22	Rear Sight Blade Sub-Assembly	44	Rear Night Sight Sub-Assembly	66	Bolt Carrier

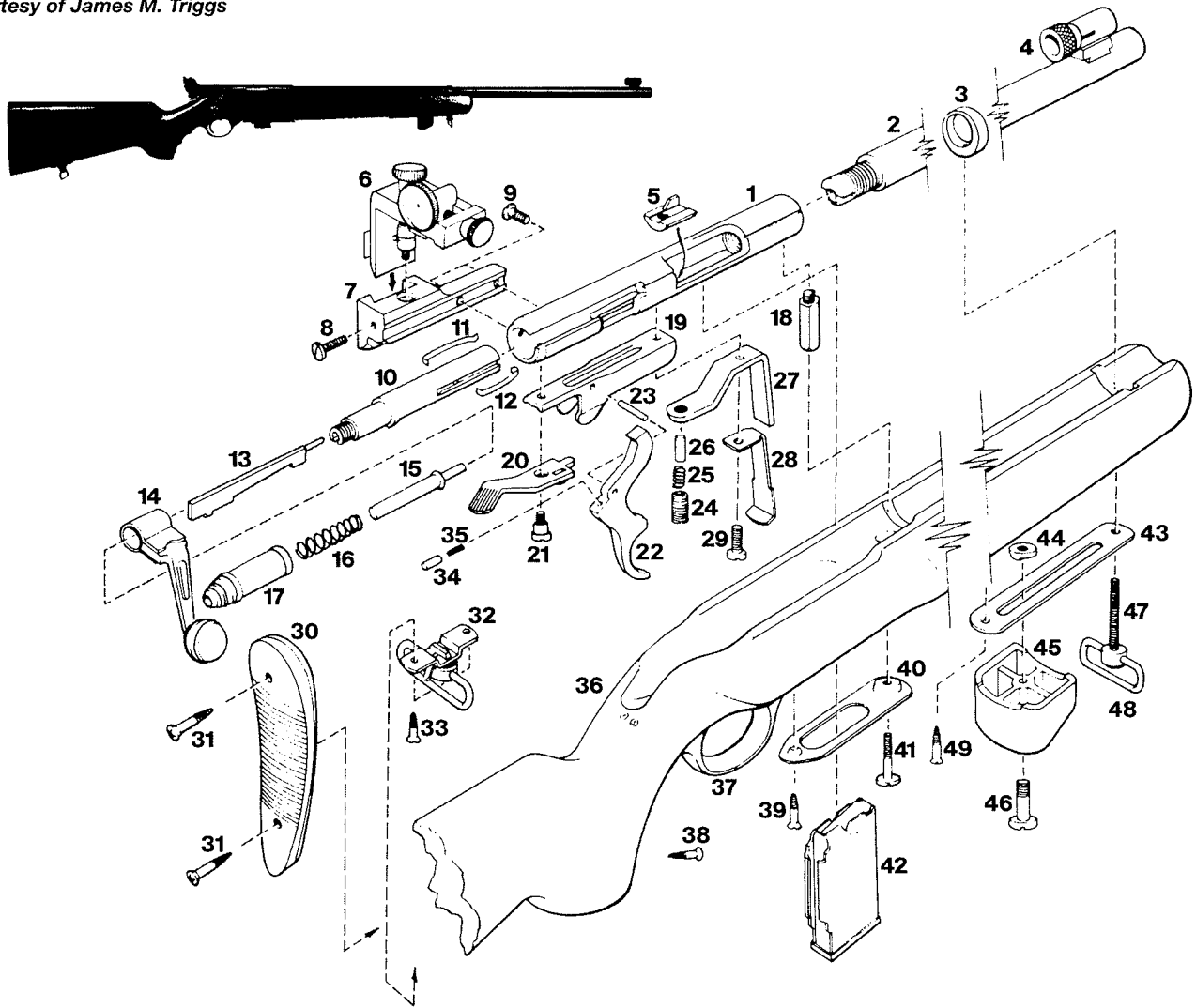
M-16 Autoloading Rifle



1	Front Link Screw	28	Extractor Spring	56	Trigger
2	Stop Ramp Screws	29	Bolt	57	Safety Pin
3	Ramp Screw	30	Firing Pin Spring	58	Frame/Receiver Pin
4	Front Sight Ramp and Hood	31	Firing Pin	59	Trigger Pin
5	Stop Flame	32	Lever Bolt Pin	60	Tube Screw
6	Front Flame Retaining Screw	33	Lever Bolt Screw	61	Buttplate
7	Front Sight	34	Stop Lever Bolt	62	Buttplate Screw
8	Front Link	35	Bolt Button	63	Link, Rear
9	Grip, Left	36	Firing Pin Pin	64	Link Pin, Rear
10	Barrel	37	Spring Guide, Rear	65	Stock
11	Grip, Right	38	Recoil Spring	66	Frame
12	Stock Spring	39	Spring Guide, Front	67	Grip
13	Stop Link Grip	40	Tube Stock	68	Grip Screw
14	Receiver	41	Sear Spring Pin	69	Safety
15	Door	42	Trigger Spring	70	Frame/Receiver Pin
16	Door Link	43	Sear Lever Pin	71	Ejector
17	Receiver Sight Disc and Safety Springs	44	Sear Lever	72	Ejector Pin
18	Sphere Receiver Sight Disc	45	Sear and Hammer Pins	73	Magazine Catch
19	Door Screw	46	Ejector Spring	74	Magazine
20	Receiver Sight Screw	47	Hammer	75	Magazine Bottom Plate
21	Receiver Sight Disc	48	Frame/Receiver Screw	76	Follower
22	Disc Pin	49	Hammer Spring	77	Magazine Spring
23	Receiver Sight Disc Spring	50	Sear	78	Stop Plate
24	Door Pin	51	Sear Screw	79	Follower Screw
25	Breechbolt Screw	52	Magazine Catch Spring	80	Spring Guide Stop
26	Concealed Hammer Pin	53	Safety Screw	81	Bolt Stop Pin
27	Extractor	54	Door Pin Stops	82	Bolt Stop Spring
		55	Magazine Screw	83	Bolt Stop

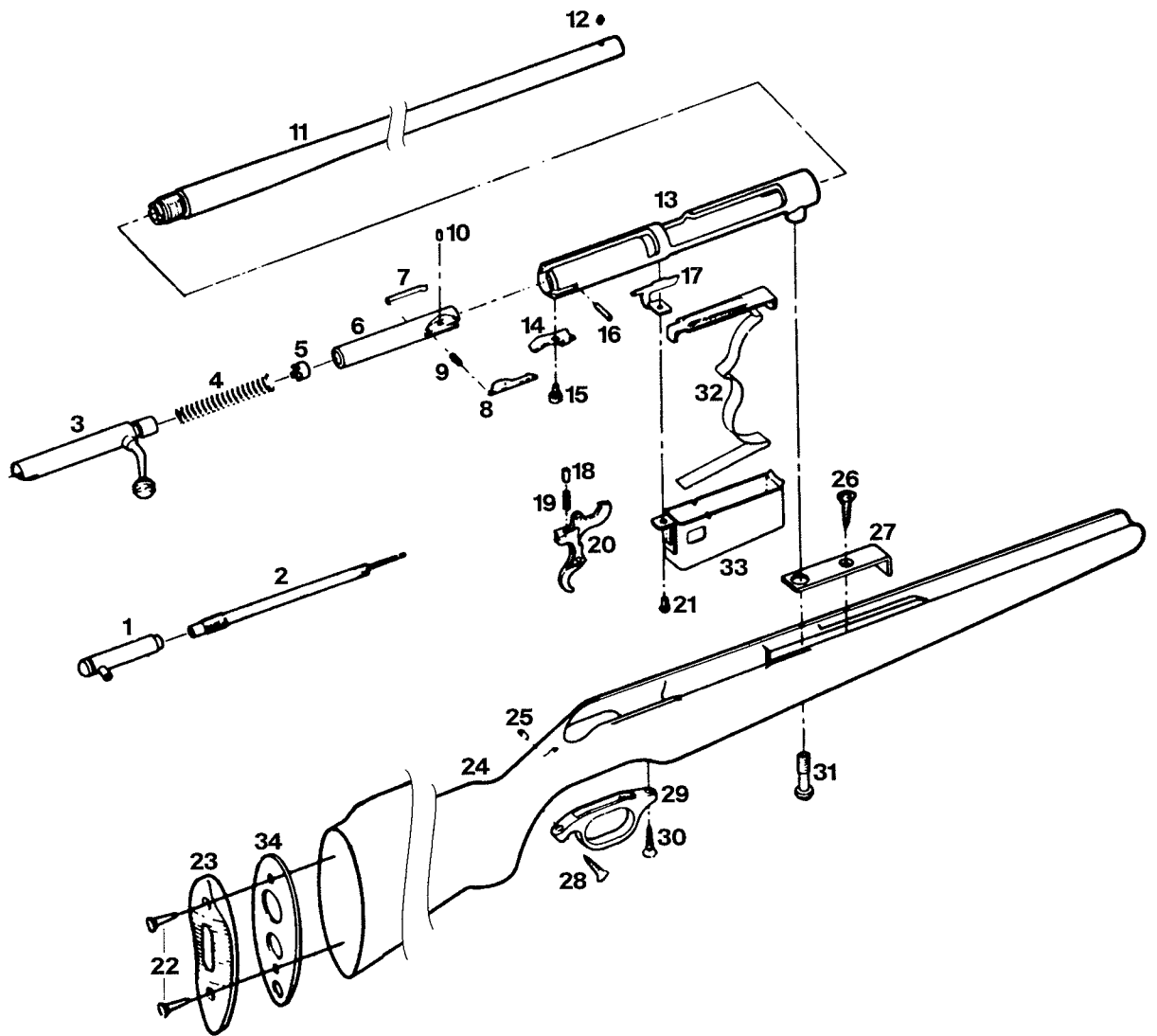
Model 144-LS Bolt-Action Rifle

Courtesy of James M. Triggs



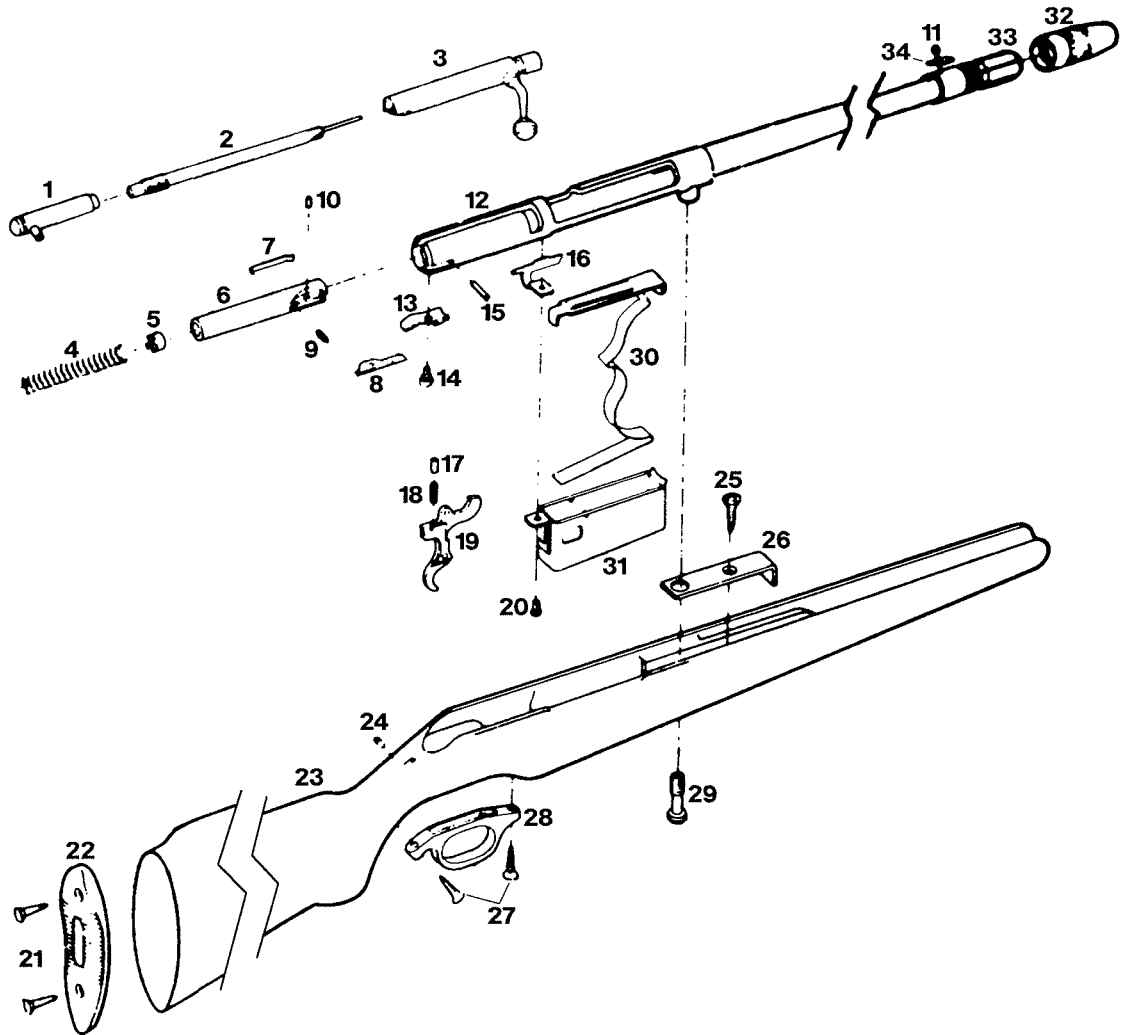
1	Receiver	16	Mainspring	33	Butt Swivel Screws
2	Barrel	17	Mainspring Cap	34	Trigger Spring Plunger
3	Barrel Band	18	Takedown Stud	35	Trigger Spring
4	Front Sight Assembly	19	Bracket	36	Stock
5	Ejector	20	Safety	37	Trigger Guard
6	Receiver Peep Sight Assembly	21	Safety Screw	38	Rear Trigger Guard Screw
7	Receiver Sight Base	22	Trigger	39	Front Trigger Guard Screw
8	Receiver Sight Lock Screw	23	Trigger Pin	40	Magazine Stock Plate
9	Receiver Sight Base Mounting Screws	24	Trigger Pull Adjusting Screw	41	Takedown Screw
10	Bolt Body	25	Trigger Pull Adjusting Spring	42	Magazine Assembly
11	Extractor, Left	26	Trigger Pull Adjusting Plunger	43	Adjustable Forearm Plate
12	Extractor, Right	27	Angle Bar and Adjusting Bracket	44	Adjustable Forearm Stop Nut
13	Firing Pin	28	Magazine Latch	45	Adjustable Forearm Stop
14	Bolt Lever	29	Bracket Screw	46	Adjustable Forearm Stop Screw
15	Mainspring Plunger	30	Buttplate	47	Forearm Swivel Screw
		31	Buttplate Screws	48	Forearm Swivel
		32	Butt Swivel Assembly	49	Adjustable Forearm Plate Screw

Model 183K, 183T, 184T and 184TY Bolt-Action Shotgun



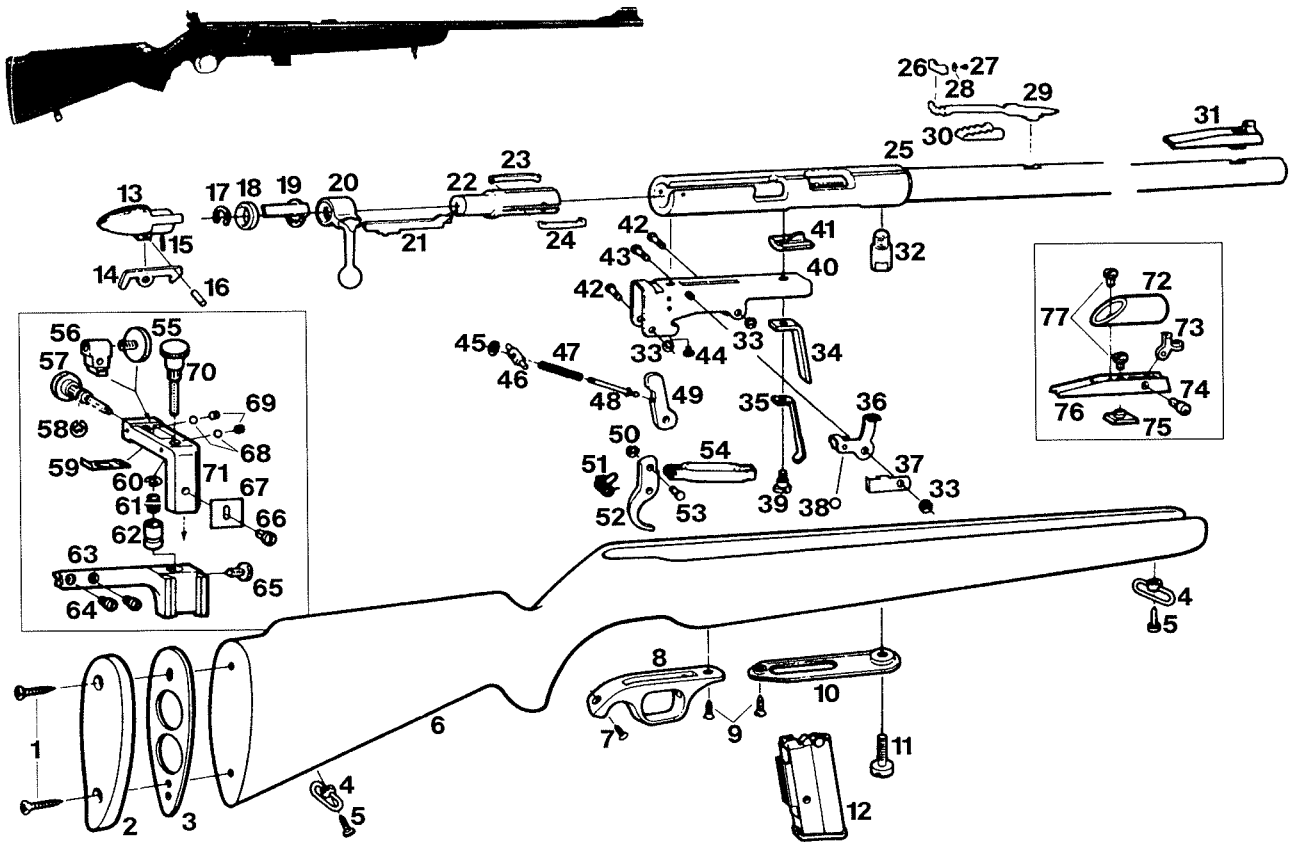
1	Striker Assembly	19	Trigger Spring
2	Firing Pin	20	Trigger Assembly
3	Bolt Body Sub-Assembly	21	Magazine Screw
4	Mainspring	22	Buttplate Screws
5	Firing Pin Nut	23	Recoil Pad
6	Bolt Head	24	Stock Complete
7	Extractor, Left	25	Safety Button
8	Extractor, Right	26	Recoil Plate Screw
9	Extractor Spring, Right	27	Recoil Plate
10	Extractor Pin, Right	28	Trigger Guard Screw, Rear
11	Barrel	29	Trigger Guard
12	Front Sight	30	Trigger Guard Screw, Front
13	Receiver Assembly	31	Takedown Screw
14	Safety-Lever	32	Magazine Spring Assembly
15	Safety-Lever Screw	33	Magazine Shell and Bracket Assembly
16	Trigger Pin	34	Buttplate Spacer
17	Ejector		
18	Trigger Spring Plunger		

Model 183KE and 283T Bolt-Action Shotgun



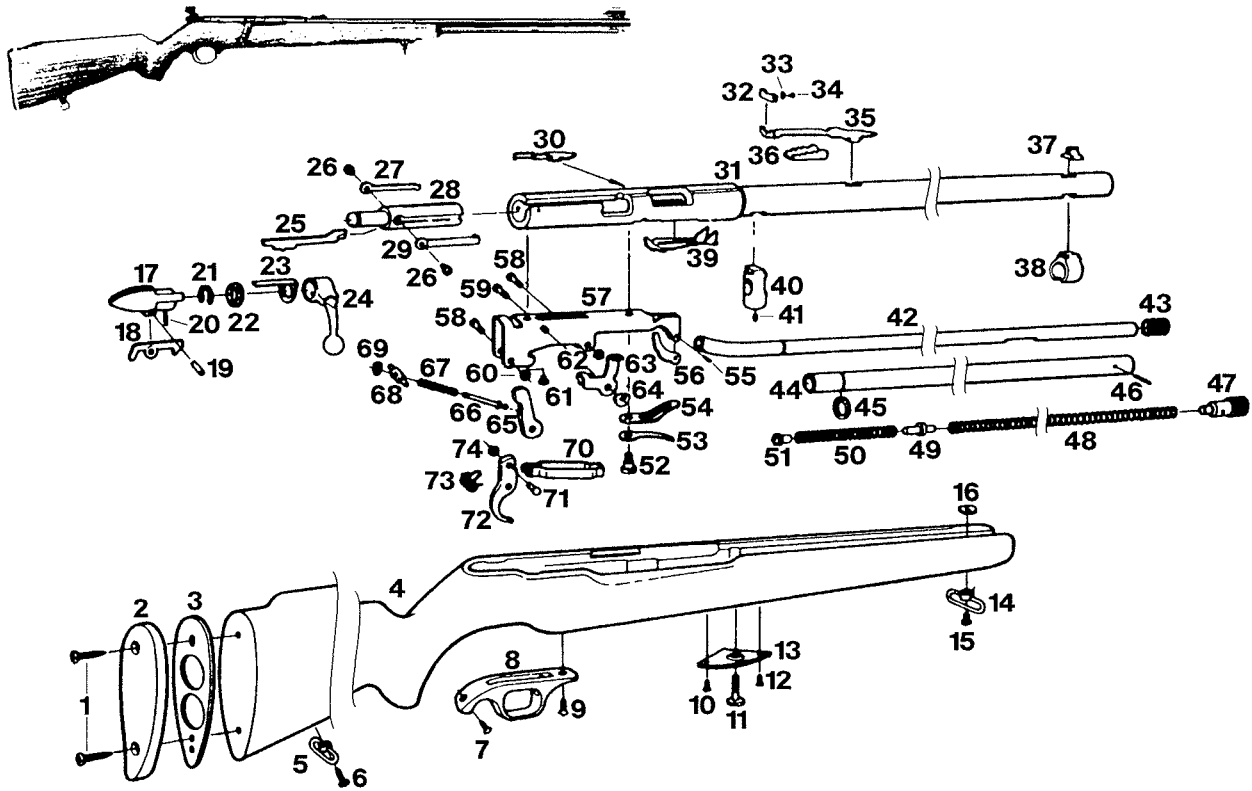
1	Striker Assembly	17	Trigger Spring Plunger
2	Firing Pin	18	Trigger Spring
3	Bolt Body Sub-Assembly	19	Trigger Assembly
4	Mainspring	20	Magazine Screw
5	Firing Pin Nut	21	Buttplate Screws
6	Bolt Head	22	Buttplate
7	Extractor, Left	23	Stock Complete
8	Extractor, Right	24	Safety Button
9	Extractor Spring, Right	25	Recoil Plate Screw
10	Extractor Pin, Right	26	Recoil Plate
11	Front Sight	27	Trigger Guard Screws
12	Barrel and Receiver Sub-Assembly	28	Trigger Guard
13	Safety-Lever	29	Takedown Screw
14	Safety-Lever Screw	30	Magazine Spring Assembly
15	Trigger Pin	31	Magazine Shell Assembly
16	Ejector	32	Choke Sleeve
		33	Choke Tube
		34	Choke Index Plate

Model 340B, 340K and 341 Bolt-Action Rifle



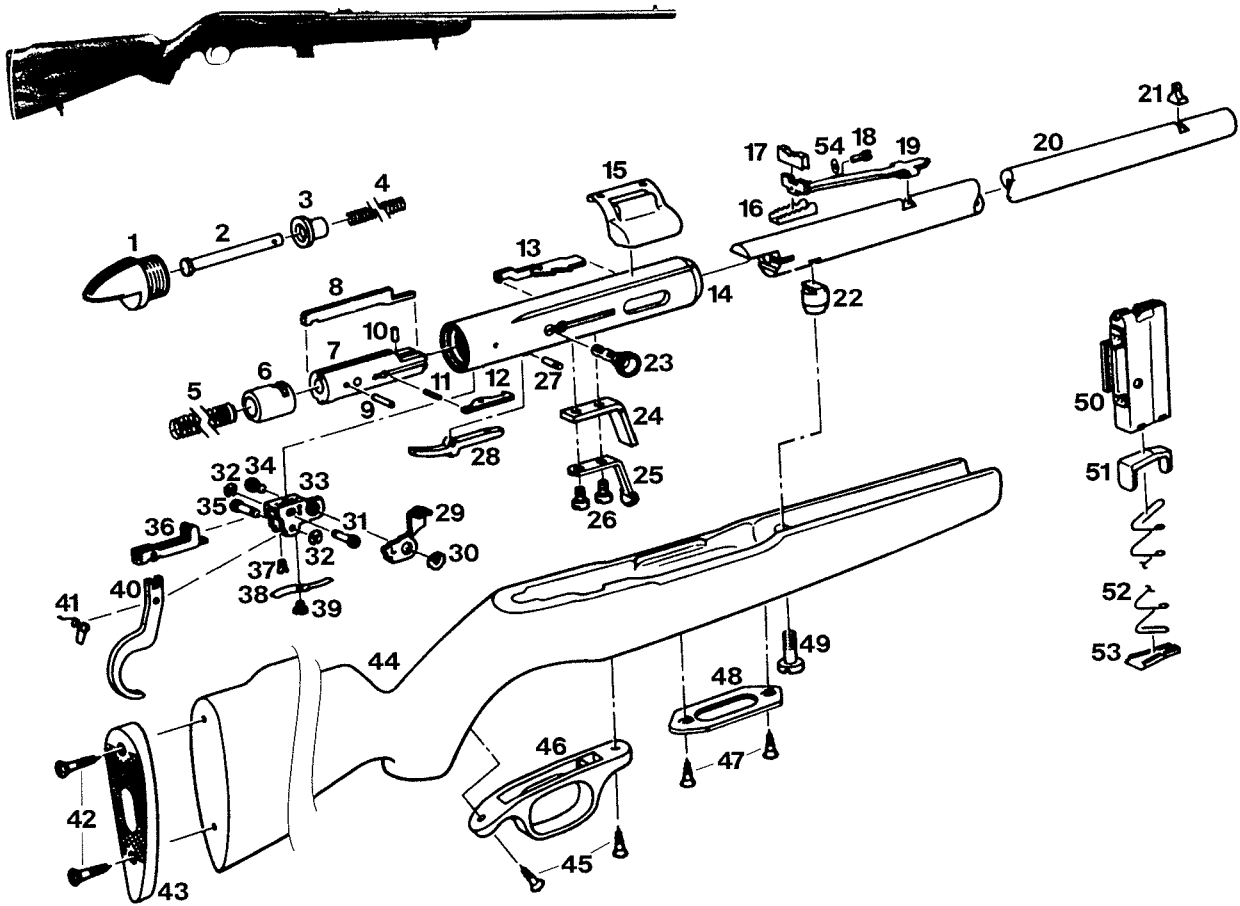
1	Buttplate Screws	28	Washer	52	Trigger
2	Buttplate	29	Base	53	Sear Pin
3	Buttplate Spacer	30	Elevation Slide	54	Sear
4	Swivel Loop and Bushing	31	Beaded Front Sight	55	Peep Disc
5	Swivel Screw	32	Takedown Stud	56	Windage Slide
6	Stock	33	Retaining Rings for Hammer Pin, Safety Pin and Trigger Pin	57	Windage Screw
7	Trigger Guard Screw	34	Angle Bar	58	Retaining Ring
8	Trigger Guard	35	Magazine Latch	59	Windage Clip
9	Stock Plate Screws	36	Safety	60	Retaining Ring
10	Stock Plate	37	Click Plate	61	Elevation Spring
11	Takedown Screw	38	Click Ball	62	Elevation Nut
12	Magazine	39	Bracket Screw, Front	63	Base
13	Receiver Cap	40	Bracket	64	Base Screws
14	Receiver Cap Latch	41	Ejector	65	Elevation Lock Screw
15	Receiver Cap Spring	42	Trigger Pin and Hammer Pin	66	Indicator Plate Screw
16	Receiver Cap Pin	43	Safety Pin	67	Indicator Plate
17	Bolt Retaining Ring	44	Bracket Screw, Rear	68	Click Balls
18	Bolt Collar	45	Retaining Ring for Hammer Plunger	69	Click Springs
19	Bolt Plate	46	Hammer Plunger Guide	70	Elevation Screw
20	Bolt Lever	47	Hammer Spring	71	Windage and Elevation Bracket
21	Firing Pin	48	Hammer Plunger	72	Hood
22	Bolt	49	Hammer	73	Bead and Aperture
23	Extractor, Left	50	Retaining Ring for Sear Pin	74	Bead and Aperture Screw
24	Extractor, Right	51	Trigger Spring	75	Sight Base
25	Barrel and Receiver Assembly			76	Ramp Base
26	Windage Plate			77	Base Screws
27	Windage Plate Screw				

Model 346KB Bolt-Action Rifle



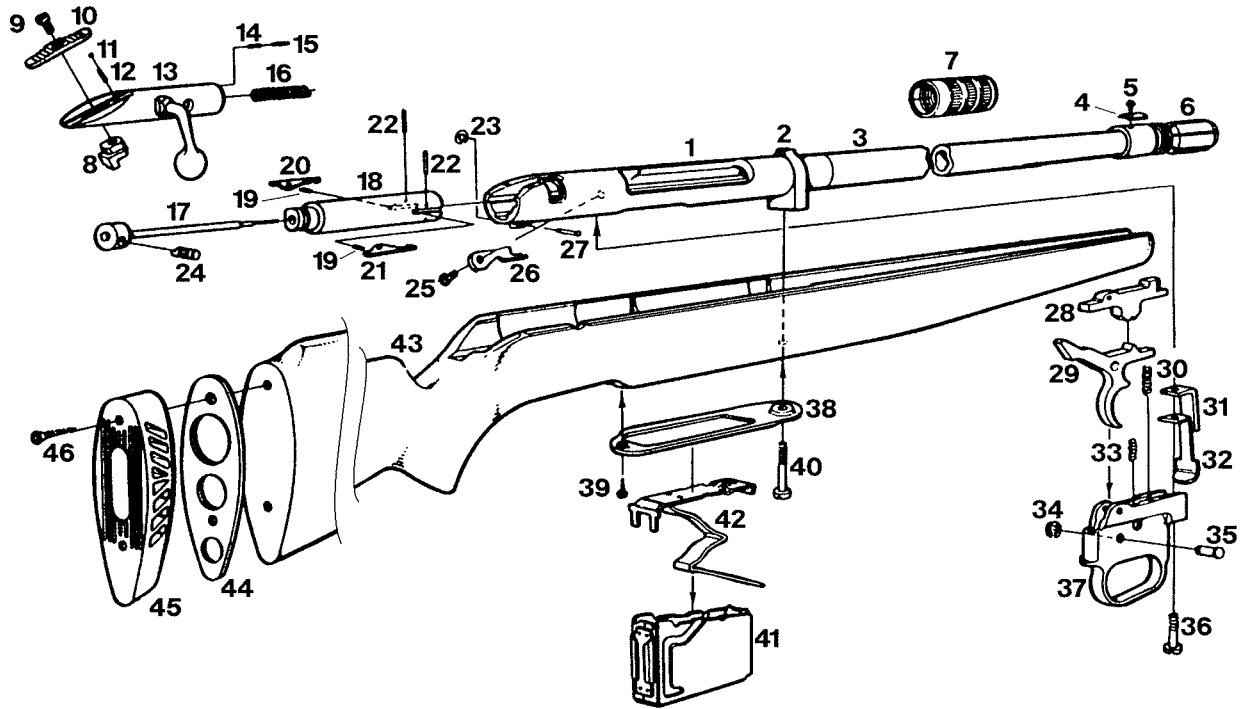
1	Buttplate Screws	26	Extractor Screws	51	Follower
2	Buttplate	27	Extractor, Left	52	Bracket Screw, Front
3	Buttplate Spacer	28	Bolt	53	Elevator Spring
4	Stock	29	Extractor, Right	54	Cartridge Stop Spring
5	Loop and Bushing, Rear	30	Ejector	55	Elevator Pin
6	Swivel Screw, Rear	31	Barrel and Receiver Assembly	56	Elevator
7	Trigger Guard Screw, Rear	32	Windage Plate	57	Bracket
8	Trigger Guard	33	Washer	58	Hammer and Trigger Pins
9	Trigger Guard Screw, Front	34	Windage Plate Screw	59	Safety Pin
10	Escutcheon Plate Screw, Rear	35	Base	60	Retaining Ring
11	Takedown Screw	36	Elevation Slide	61	Bracket Screw, Rear
12	Escutcheon Plate Screw, Front	37	Front Sight	62	Retaining Ring
13	Escutcheon Plate	38	Magazine Mount	63	Safety
14	Loop and Bushing, Front	39	Cartridge Stop	64	Retaining Ring
15	Swivel Screw, Front	40	Takedown Mount	65	Hammer
16	Swivel Nut	41	Retaining Screw	66	Hammer Plunger
17	Receiver Cap	42	Magazine Tube, Inside	67	Hammer Spring
18	Receiver Cap Latch	43	Magazine Tube Tension Spring	68	Hammer Plunger Guide
19	Receiver Cap Pin	44	Magazine Tube, Outside	69	Retaining Ring
20	Receiver Cap Spring	45	Retaining Ring	70	Sear
21	Retaining Ring	46	Magazine Pin	71	Sear Pin
22	Bolt Collar	47	Magazine Knob	72	Trigger
23	Bolt Plate	48	Magazine Spring	73	Trigger Spring
24	Bolt Lever	49	Feed Spring Plunger	74	Retaining Ring
25	Firing Pin	50	Feed Spring		

Model 350KC Autoloading Rifle



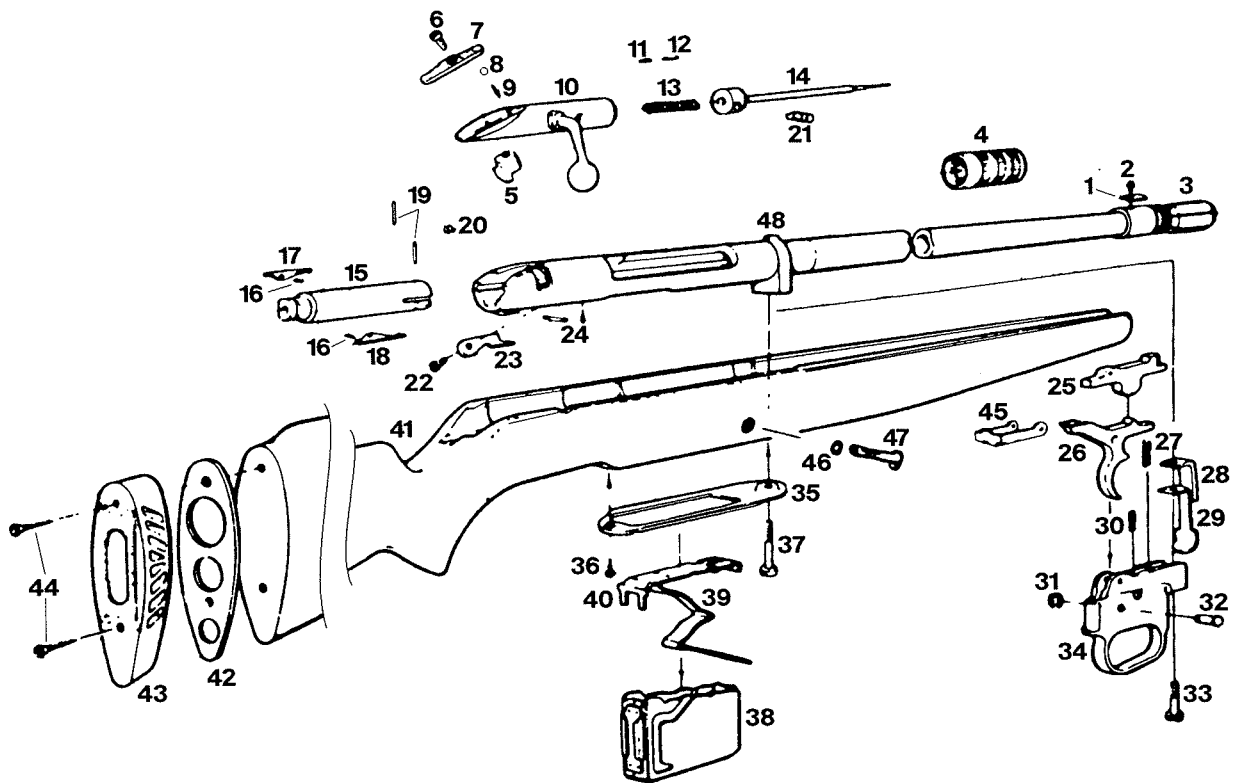
1	Breech Plug	28	Sear
2	Retracting Spring Plunger	29	Safety-Lever
3	Retracting Spring Bushing	30	Retaining Ring
4	Retracting Spring	31	Disconnecter Pin
5	Mainspring	32	Retaining Ring
6	Hammer	33	Disconnecter Bracket
7	Bolt	34	Safety Pin
8	Firing Pin	35	Trigger Pin
9	Retaining Pin	36	Disconnecter
10	Extractor Pin	37	Disconnecter Bracket Screw
11	Extractor Spring	38	Disconnecter Spring
12	Extractor	39	Disconnecter Spring Screw
13	Ejector	40	Trigger
14	Receiver	41	Trigger Spring
15	Deflector	42	Buttplate Screws
16	Elevation Slide	43	Buttplate
17	Windage Plate	44	Stock
18	Windage Plate Screw	45	Trigger Guard Screws
19	Base	46	Trigger Guard
20	Barrel	47	Stock Plate Screws
21	Beaded Front Sight	48	Magazine Stock Plate
22	Takedown Stud	49	Takedown Screw
23	Cocking Knob	50	Magazine Shell and Channel
24	Angle Bar	51	Magazine Follower
25	Magazine Latch	52	Magazine Spring
26	Angle Bar Screws	53	Magazine Bottom Plate
27	Sear Pin	54	Windage Plate Washer

Model 385K Bolt-Action Shotgun



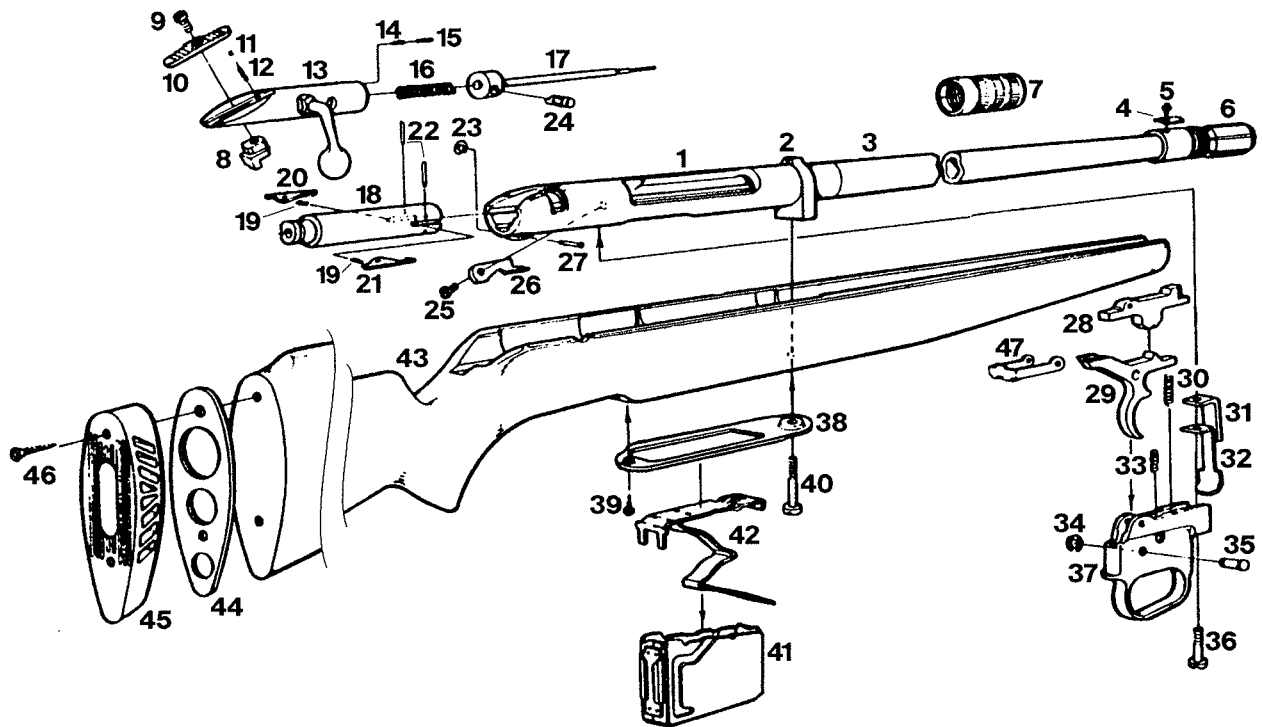
1	Receiver	25	Ejector Screw
2	Recoil Plate	26	Ejector
3	Barrel	27	Sear and Trigger Housing
4	Choke Index Plate		Retaining Pin
5	Front Sight	28	Sear
6	Choke Tube	29	Trigger
7	Choke Adjusting Sleeve	30	Sear Spring
8	Safety Lock	31	Angle Bar
9	Safety Button Screw	32	Magazine Latch
10	Safety Button	33	Trigger Spring
11	Safety Click Ball	34	Trigger Retaining Ring
12	Safety Click Ball Spring	35	Trigger Pin
13	Bolt	36	Trigger Housing Screw
14	Bolt Index Plunger Spring	37	Trigger Housing
15	Bolt Index Plunger	38	Stock Plate
16	Striker Spring	39	Stock Plate Screw and Nut
17	Firing Pin	40	Takedown Screw
18	Bolt Head	41	Magazine
19	Extractor Springs	42	Magazine Spring Assembly
20	Extractor, Left	43	Stock
21	Extractor, Right	44	Recoil Pad Spacer
22	Extractor Pins	45	Recoil Pad
23	Pin Retaining Ring	46	Recoil Pad Screw
24	Sear Pin		

Model 385KB and 485T Bolt-Action Shotgun



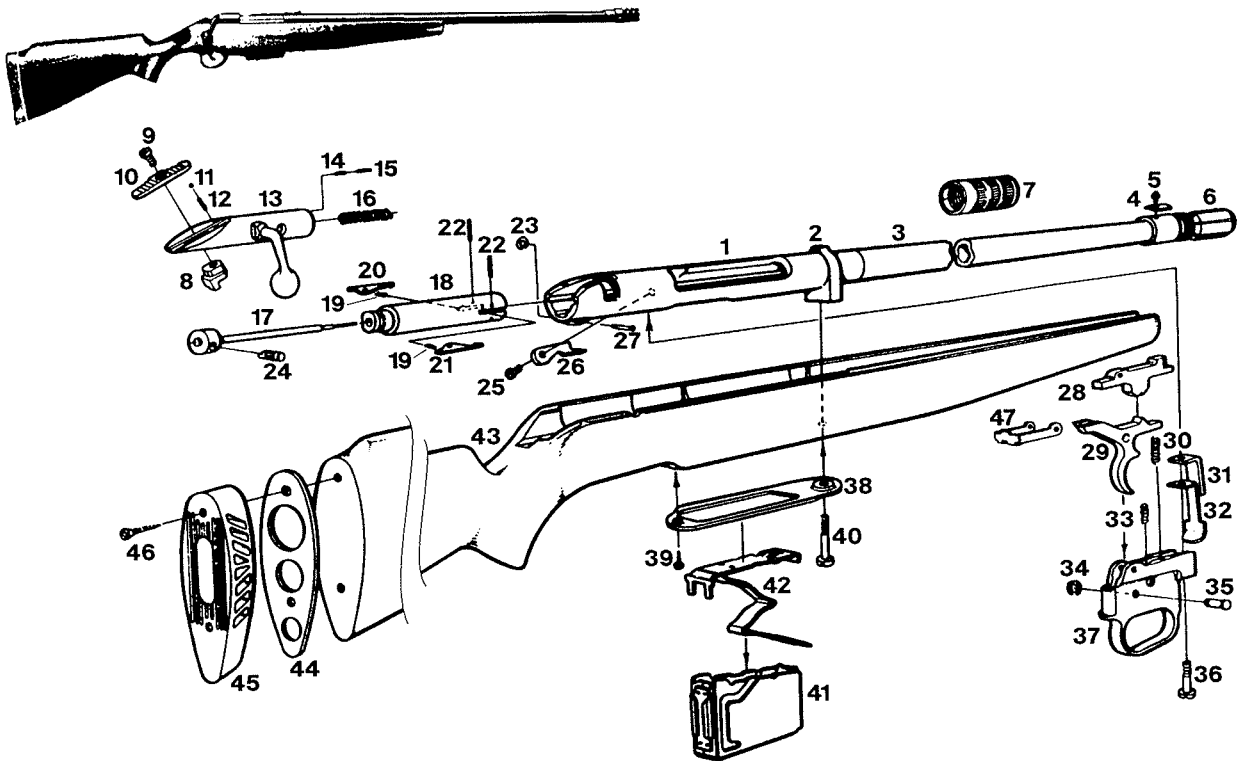
1	Choke Index Plate	26	Trigger
2	Front Sight	27	Sear Spring
3	Choke Tube	28	Angle Bar
4	Choke Adjusting Sleeve	29	Magazine Latch
5	Safety Lock	30	Trigger Spring
6	Safety Button Screw	31	Trigger Retaining Ring
7	Safety Button	32	Trigger Pin
8	Safety Click Ball	33	Trigger Housing Screw
9	Safety Click Ball Spring	34	Trigger Housing
10	Bolt Complete	35	Stock Plate
11	Bolt Index Plunger Spring	36	Stock Plate Screw
12	Bolt Index Plunger	37	Takedown Screw
13	Striker Spring	38	Magazine Shell
14	Firing Pin Assembly	39	Magazine Spring
15	Bolt Head	40	Magazine Follower
16	Extractor Springs	41	Stock Complete
17	Extractor, Left	42	Recoil Pad Spacer
18	Extractor, Right	43	Recoil Pad
19	Extractor Pins	44	Recoil Pad Screw
20	Sear and Trigger Housing Retaining Ring	45	Safety Adapter
21	Sear Pin	46	Cross-Bolt Screw
22	Ejector Screw	47	Cross-Bolt Nut
23	Ejector	48	Barrel and Receiver
24	Sear and Trigger Housing Retaining Pin		
25	Sear		
		Parts Not Shown	
			Safety Detent Plate
			Stock Plate Nut

Model 390KA Bolt-Action Shotgun



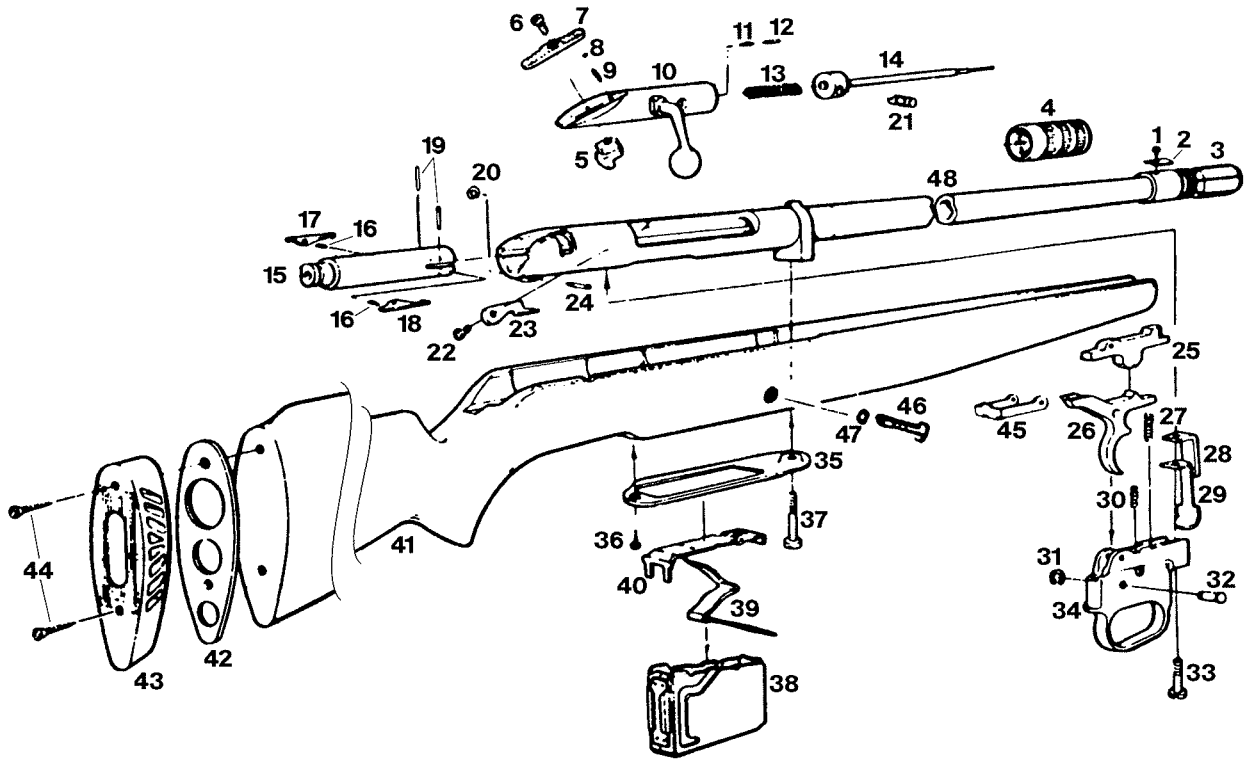
1	Receiver	25	Ejector Screw
2	Recoil Pad	26	Ejector
3	Barrel	27	Sear and Trigger Housing Retaining Pin
4	Choke Index Plate	28	Sear
5	Front Sight	29	Trigger
6	Choke Tube	30	Sear Spring
7	Choke Adjusting Sleeve	31	Angle Bar
8	Safety Lock	32	Magazine Latch
9	Safety Button Screw	33	Trigger Spring
10	Safety Button	34	Trigger Retaining Ring
11	Safety Click Ball	35	Trigger Pin
12	Safety Click Ball Spring	36	Trigger Housing Screw
13	Bolt	37	Trigger Housing
14	Bolt Index Plunger Spring	38	Stock Plate
15	Bolt Index Plunger	39	Stock Plate Screw and Nut
16	Striker Spring	40	Takedown Screw
17	Firing Pin	41	Magazine
18	Bolt Head	42	Magazine Spring Assembly
19	Extractor Springs	43	Stock
20	Extractor, Left	44	Recoil Pad Spacer
21	Extractor, Right	45	Recoil Pad
22	Extractor Pins	46	Recoil Pad Screw
23	Sear and Trigger Housing Retaining Ring	47	Safety Adapter
24	Sear Pin		

Model 395K and 395KA Bolt-Action Shotgun



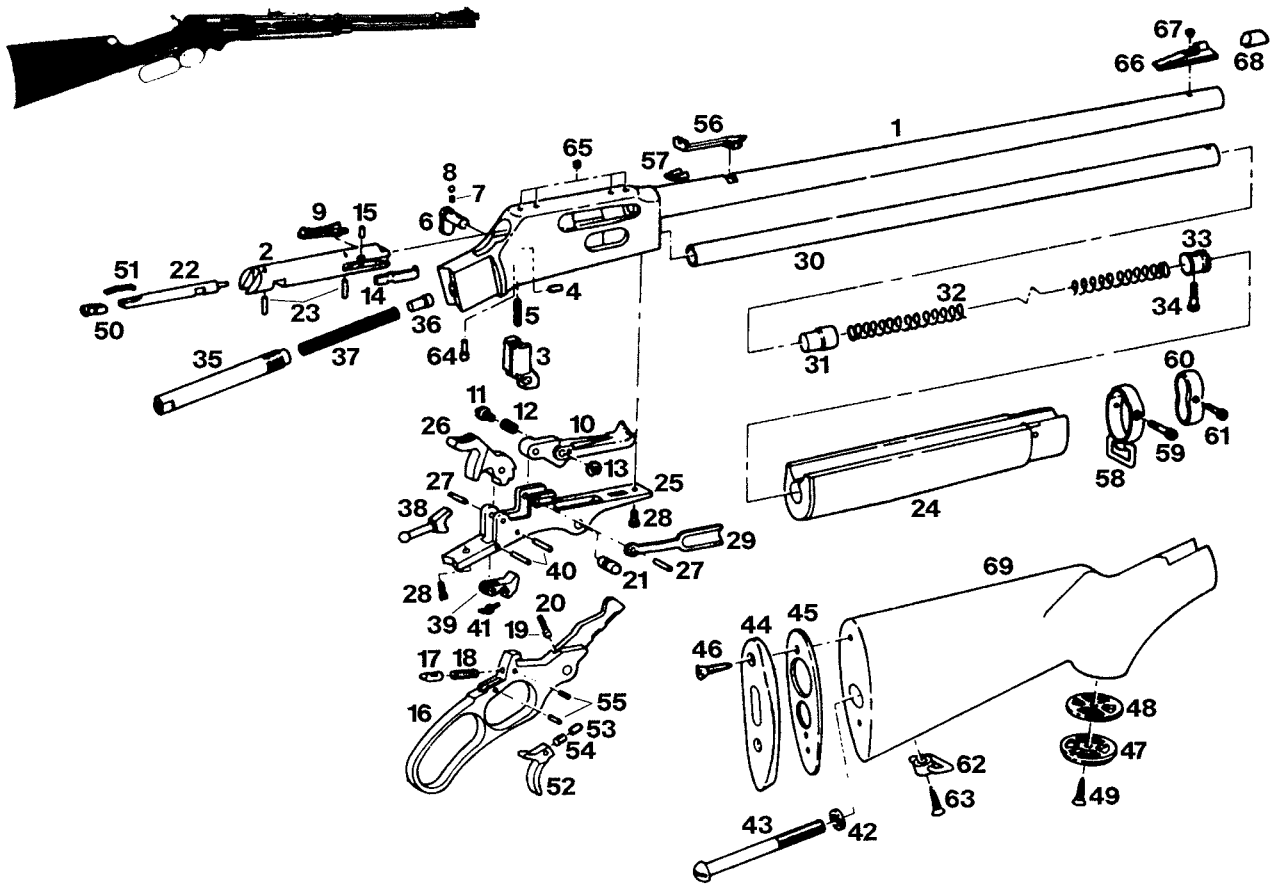
1	Receiver	25	Ejector Screw
2	Recoil Plate	26	Ejector
3	Barrel	27	Sear and Trigger Housing Retaining Pin
4	Choke Index Plate	28	Sear
5	Front Sight	29	Trigger
6	Choke Tube	30	Sear Spring
7	Choke Adjusting Sleeve	31	Angle Bar
8	Safety Lock	32	Magazine Latch
9	Safety Button Screw	33	Trigger Spring
10	Safety Button	34	Trigger Retaining Ring
11	Safety Click Ball	35	Trigger Pin
12	Safety Click Ball Spring	36	Trigger Housing Screw
13	Bolt	37	Trigger Housing
14	Bolt Index Plunger Spring	38	Stock Plate
15	Bolt Index Plunger	39	Stock Plate Screw and Nut
16	Striker Spring	40	Takedown Screw
17	Firing Pin	41	Magazine
18	Bolt Head	42	Magazine Spring Assembly
19	Extractor Springs	43	Stock
20	Extractor, Left	44	Recoil Pad Spacer
21	Extractor, Right	45	Recoil Pad
22	Extractor Pins	46	Recoil Pad Screw
23	Sear and Trigger Housing Retaining Pin	47	Safety Adapter
24	Sear Pin		

Model 395KB and 495T Bolt-Action Rifle



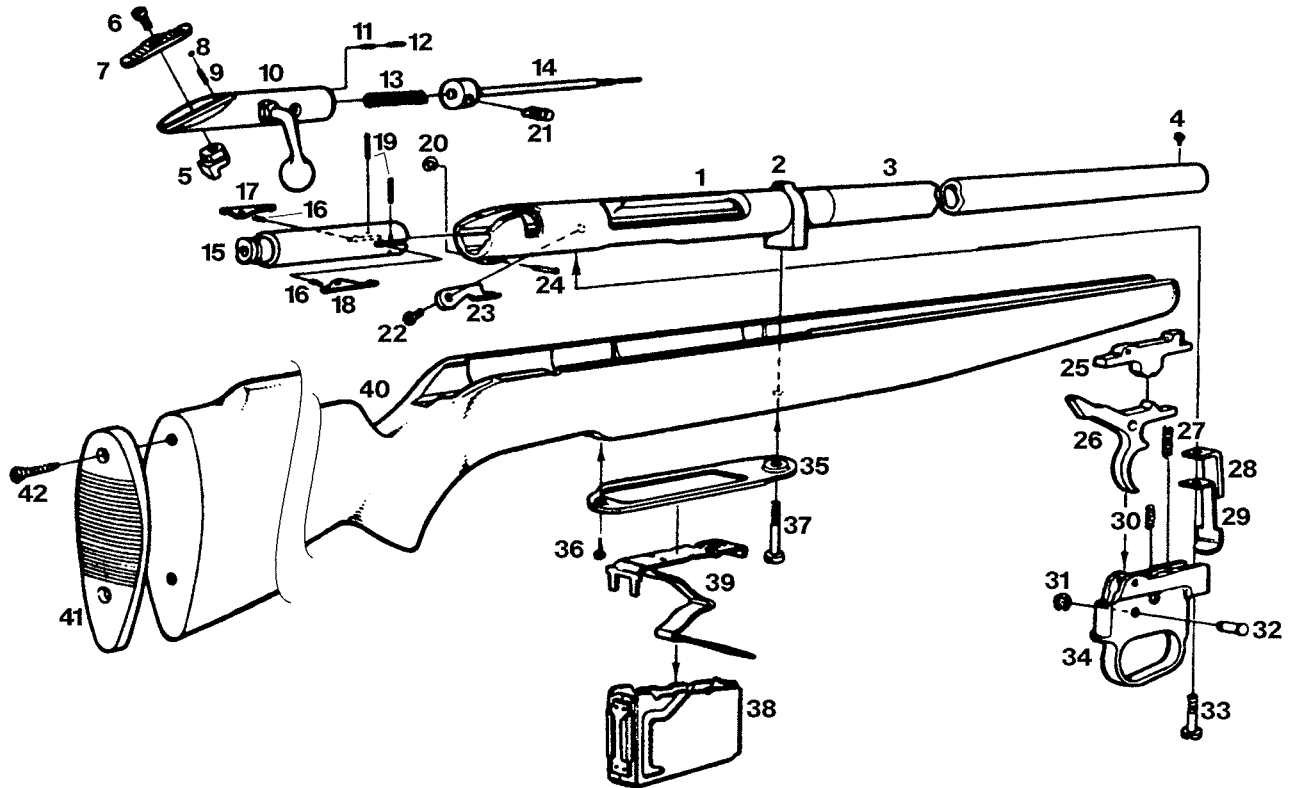
1	Front Sight	26	Trigger
2	Choke Index Plate	27	Sear Spring
3	Choke Tube	28	Angle Bar
4	Choke Adjusting Sleeve	29	Magazine Latch
5	Safety Lock	30	Trigger Spring
6	Safety Button Screw	31	Trigger Retaining Ring
7	Safety Button	32	Trigger Pin
8	Safety Click Ball	33	Trigger Housing Screw
9	Safety Click Ball Spring	34	Trigger Housing
10	Bolt Body	35	Stock Plate
11	Bolt Index Plunger Spring	36	Stock Plate Screw
12	Bolt Index Plunger	37	Takedown Screw
13	Striker Spring	38	Magazine Shell Assembly
14	Firing Pin Assembly	39	Magazine Spring Assembly
15	Bolt Head	40	Magazine Follower
16	Extractor Springs	41	Stock Complete
17	Extractor, Left	42	Recoil Pad Spacer
18	Extractor, Right	43	Recoil Pad
19	Extractor Pins	44	Recoil Pad Screws
20	Sear and Trigger Housing Retaining Ring	45	Safety Adapter
21	Sear Pin	46	Cross Bolt Screw
22	Ejector Screw	47	Cross Bolt Nut
23	Ejector	48	Barrel and Receiver
24	Sear and Trigger Housing Retaining Pin		
25	Sear		
		Parts Not Shown	
			Safety Detent Plate
			Stock Plate Nut

Model 472PRA and 472PCA Lever-Action Rifle



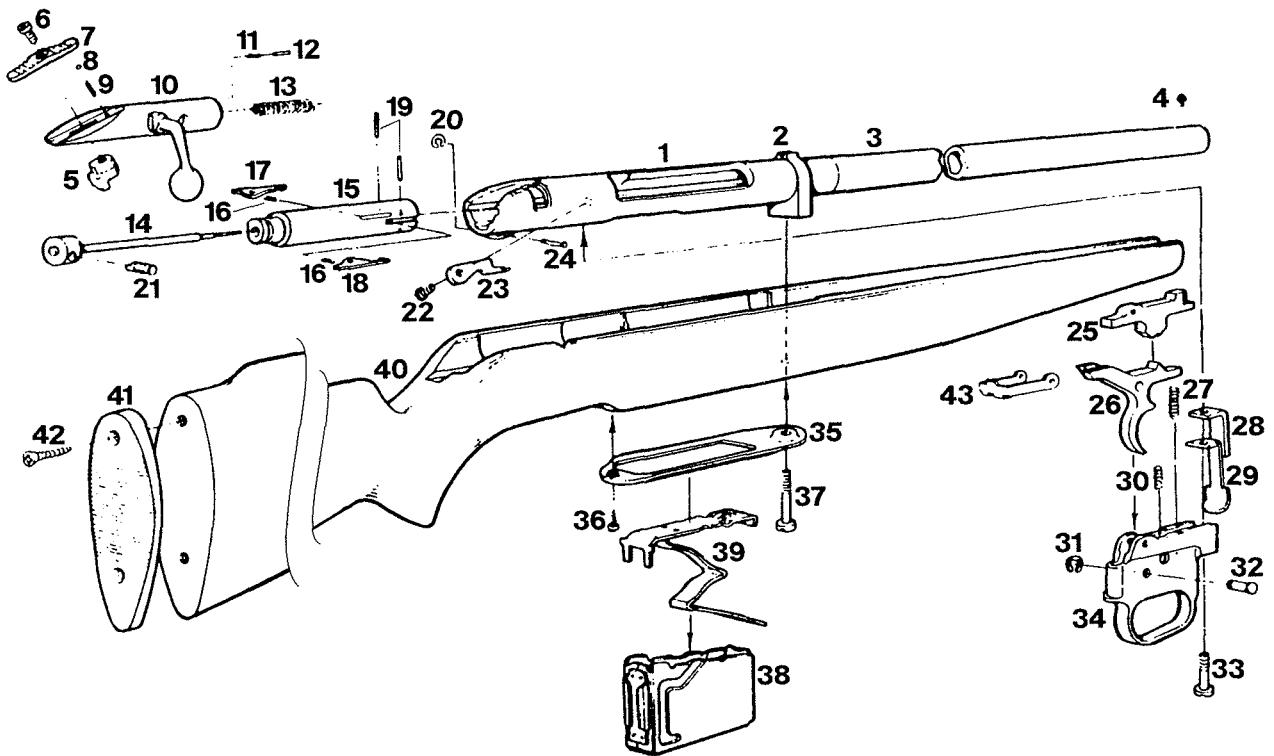
1	Barrel and Receiver Assembly	23	Firing Pin Retaining Pins	47	Grip Cap
2	Bolt	24	Forearm	48	Grip Cap Spacer
3	Bolt Lock	25	Hammer Housing	49	Grip Cap Screw
4	Bolt Lock Pin	26	Hammer	50	Striker
5	Bolt Lock Spring	27	Hammer Pins	51	Striker Retracting Spring
6	Safety	28	Hammer Housing Screws	52	Trigger
7	Safety Click Spring	29	Loading Ramp	53	Trigger Plunger
8	Safety Click Ball	30	Magazine Tube	54	Trigger Plunger Return Spring
9	Ejector Assembly	31	Magazine Tube Follower	55	Trigger Housing Plunger Pins
10	Elevator	32	Magazine Spring	56	Rear Sight
11	Elevator Plunger	33	Magazine Tube End Cap	57	Rear Sight Elevation Slide
12	Elevator Plunger Spring	34	Magazine Tube End Cap Screw	58	Rear Barrel Band
13	Elevator Plunger Retaining Ring	35	Mainspring Tube	59	Rear Barrel Band Screw
14	Extractor	36	Mainspring Guide	60	Forward Barrel Band
15	Extractor Pin	37	Mainspring	61	Forward Barrel Band Screw
16	Finger Lever	38	Rebound Lever	62	Loop and Bushing
17	Finger Lever Retaining Plunger	39	Sear	63	Swivel Screw
18	Finger Lever Retaining Plunger Spring	40	Sear Pins	64	Safety Retaining Screw
19	Finger Lever Pin Retaining Plunger	41	Sear Spring	65	Dummy Screws
20	Finger Lever Pin Retaining Plunger Spring	42	Stock Washer	66	Front Sight
21	Finger Lever Pin	43	Stock Bolt	67	Screw
22	Firing Pin	44	Recoil Pad	68	Front Sight Hood
		45	Buttplate Spacer	69	Stock
		46	Buttplate Screws		

Model 485 Bolt-Action Shotgun



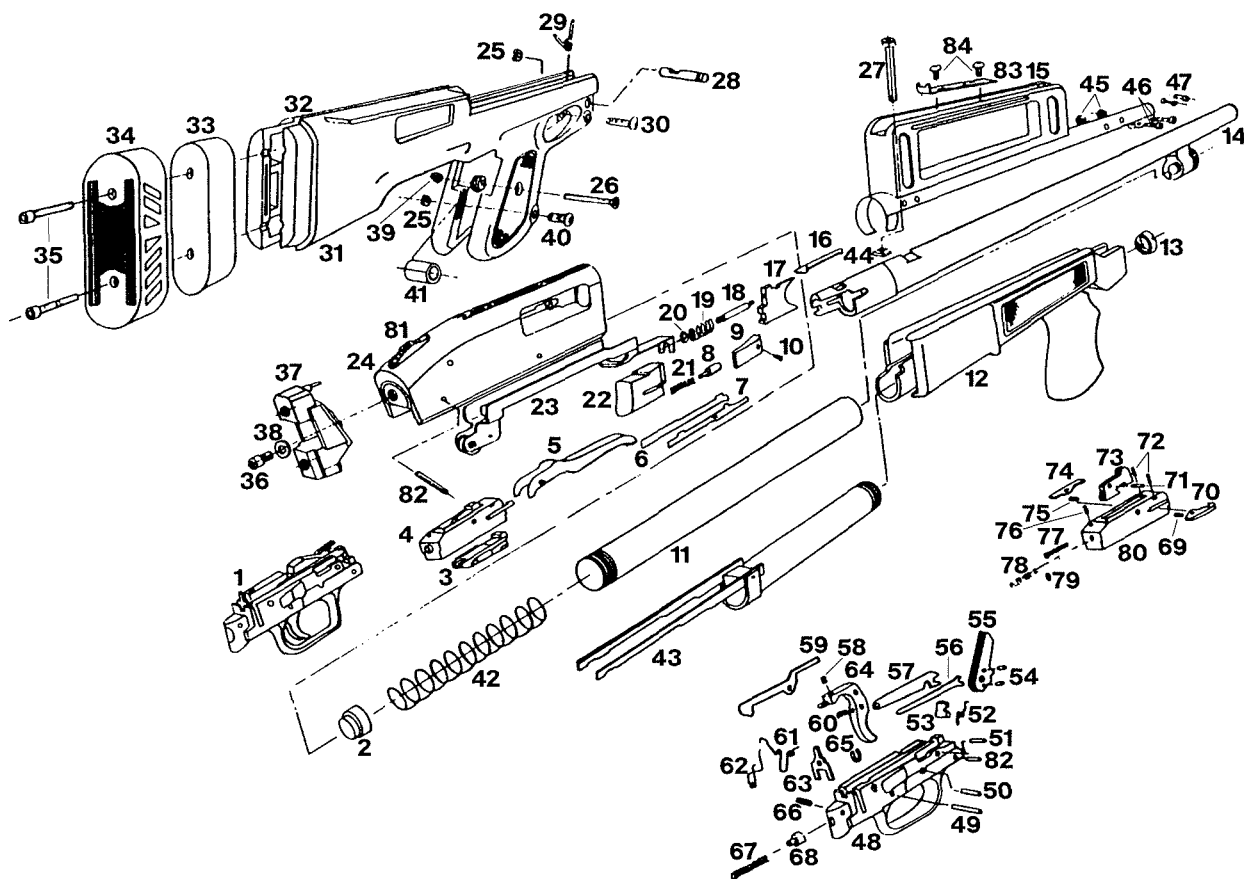
1	Receiver	22	Ejector Screw
2	Recoil Plate	23	Ejector
3	Barrel	24	Sear and Trigger Housing
4	Front Sight		Retaining Pin
5	Safety Lock	25	Sear
6	Safety Button Screw	26	Trigger
7	Safety Button	27	Sear Spring
8	Safety Click Ball	28	Angle Bar
9	Safety Click Spring	29	Magazine Latch
10	Bolt	30	Trigger Spring
11	Bolt Index Plunger Spring	31	Trigger Retaining Ring
12	Bolt Index Plunger	32	Trigger Pin
13	Striker Spring	33	Trigger Housing Screw
14	Firing Pin	34	Trigger Housing
15	Bolt Head	35	Stock Plate
16	Extractor Springs	36	Stock Plate Screw and Nut
17	Left Extractor	37	Takedown Screw
18	Right Extractor	38	Magazine
19	Extractor Pins	39	Magazine Spring Assembly
20	Sear and Trigger Housing	40	Stock
	Retaining Ring	41	Buttplate
21	Sear Pin	42	Buttplate Screw

Model 490A and 495A Bolt-Action Shotgun



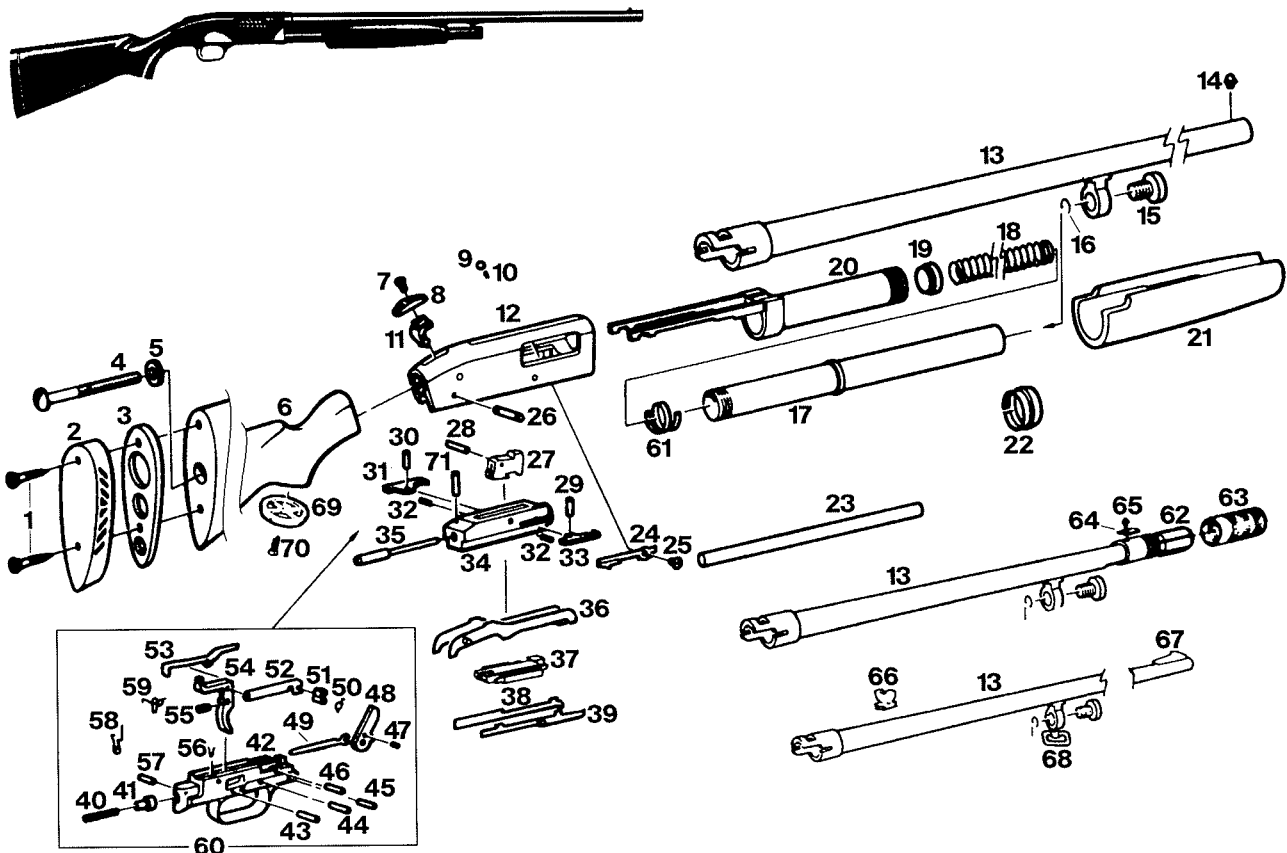
1	Receiver	16	Extractor Springs	29	Magazine Latch
2	Recoil Plate	17	Extractor, Left	30	Trigger Spring
3	Barrel	18	Extractor, Right	31	Trigger Retaining Ring
4	Front Sight	19	Extractor Pins	32	Trigger Pin
5	Safety Lock	20	Sear and Trigger Housing Retaining Ring	33	Trigger Housing Screw
6	Safety Button Screw	21	Sear Pin	34	Trigger Housing
7	Safety Button	22	Ejector Screw	35	Stock Plate
8	Safety Click Ball	23	Ejector	36	Stock Plate Screw and Nut
9	Safety Click Spring	24	Sear and Trigger Housing Retaining Pin	37	Takedown Screw
10	Bolt	25	Sear	38	Magazine
11	Bolt Index Plunger Spring	26	Trigger	39	Magazine Spring Assembly
12	Bolt Index Plunger	27	Sear Spring	40	Stock
13	Striker Spring	28	Angle Bar	41	Buttplate
14	Firing Pin			42	Buttplate Screw
15	Bolt Head			43	Safety Adapter

Model 500 Bullpup Slide-Action Shotgun



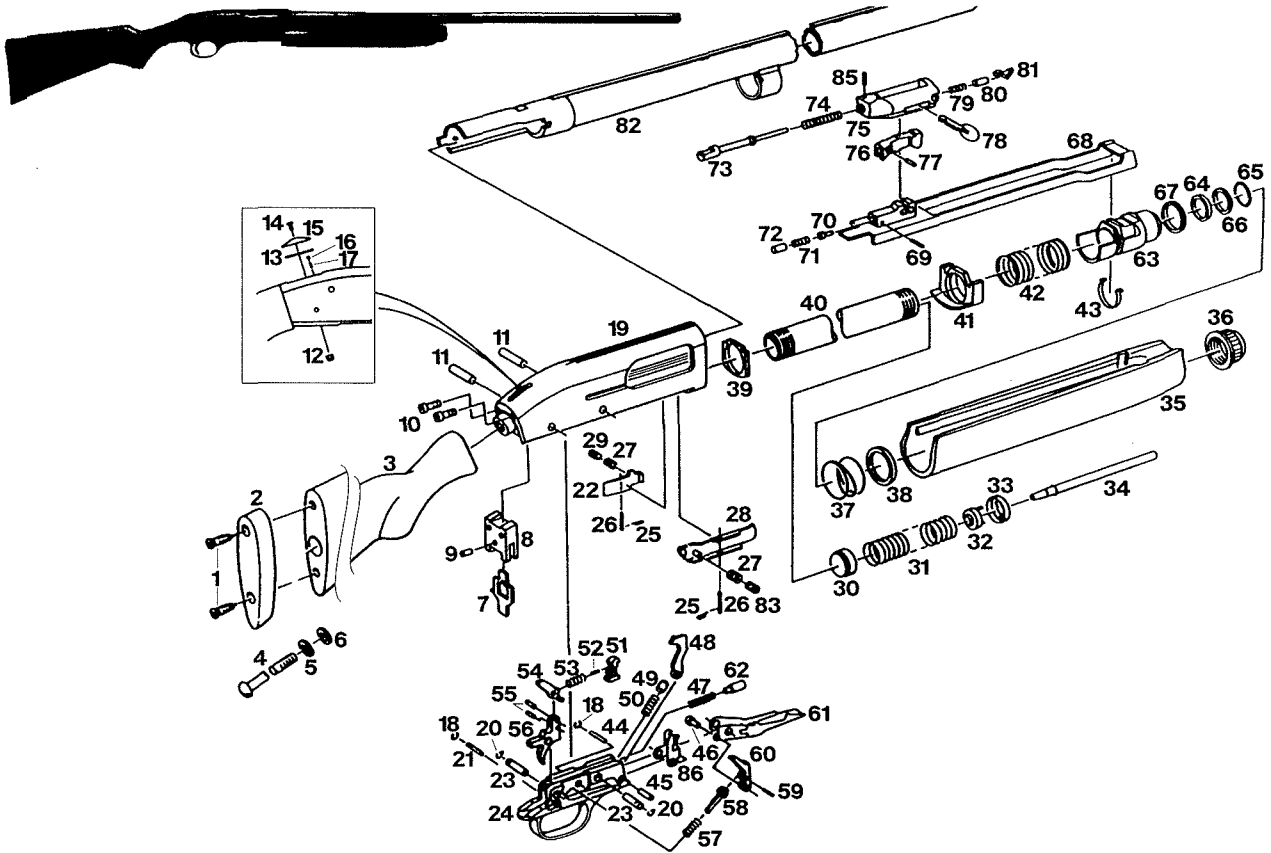
1	Trigger Housing Assembly	30	Stock Bolt, Long	59	Action Lock
2	Magazine Follower	31	Pistol Grip Stock, Right	60	Trigger Spring
3	Bolt Slide	32	Pistol Grip Stock, Left	61	Action Lock Disc Spring
4	Bolt Assembly	33	Cup Plate	62	Action Lock Hammer Spring
5	Elevator Assembly	34	Recoil Pad	63	Connector
6	Cartridge Stop	35	Recoil Pad Screws	64	Trigger
7	Cartridge Interrupter Assembly	36	Recoil Beam Retaining Screw	65	Trigger Housing Pin
8	Grip Safety Plunger	37	Recoil Beam Assembly		Retaining<R>Spring
9	Trigger Block	38	Recoil Beam Washer	66	Mainspring Retaining Pin
10	Trigger Block Spring	39	Stock Screw Lock Nut	67	Mainspring
11	Magazine Tube	40	Stock Bolt, Short	68	Mainspring Plunger
12	Forend Assembly	41	Support Spacer	69	Extractor Spring, Right
13	Retaining Ring	42	Magazine Spring	70	Extractor, Right
14	Barrel Assembly	43	Slide Action Assembly	71	Bolt Lock Pin
15	Handle Sight Assembly	44	Retaining Base	72	Extractor Retaining Pins
16	Trigger Extension	45	Retaining Nuts	73	Bolt Lock
17	Primary Trigger	46	Screws	74	Extractor, Left
18	Trigger Pin	47	Spacers	75	Extractor Spring, Left
19	Trigger Return Spring	48	Trigger Housing	76	Firing Pin Retaining Pin
20	Trigger Pin Washer	49	Trigger Pin	77	Firing Pin Spring
21	Safety Grip Spring	50	Action Lock Pin	78	Firing Pin
22	Grip Safety	51	Hammer Pivot Pin	79	Firing Pin Washer
23	Trigger Connector Assembly	52	Sear Spring	80	Bolt
24	Receiver Assembly	53	Sear	81	Safety Button
25	Stock Bolt Nuts	54	Mainspring Guide Pins	82	Sear Pin
26	Stock Screw	55	Hammer	83	Sight
27	Handle Sight Retaining Screw	56	Mainspring Guide	84	Sight Screws
28	Crossbolt Safety	57	Disconnecter		
29	Crossbolt Safety Spring	58	Trigger Stop		

Model 500 Slide-Action Shotgun



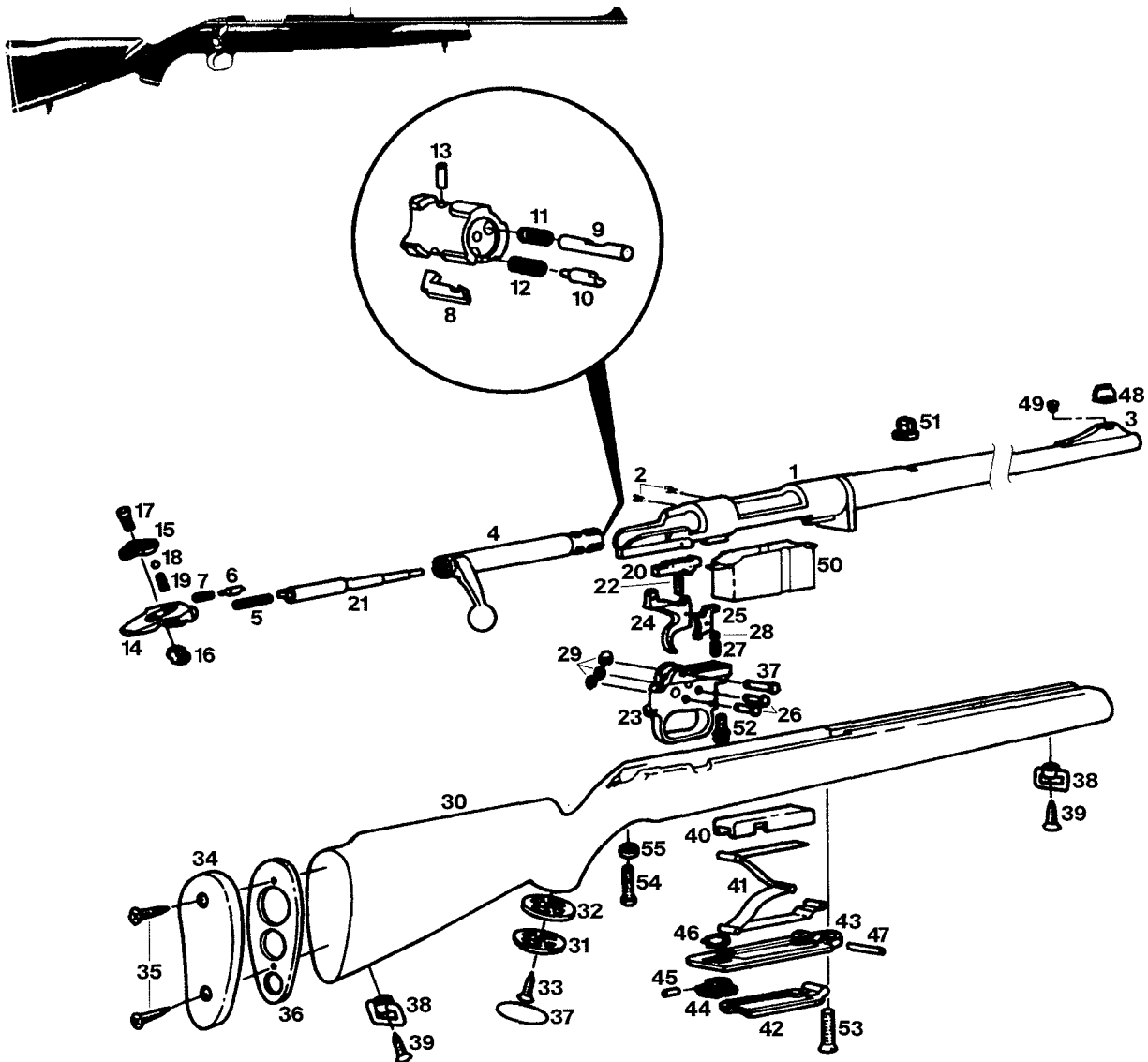
1	Recoil Pad Screws	26	Trigger Housing Pin	51	Sear
2	Recoil Pad	27	Bolt Lock	52	Disconnecter
3	Black Spacer	28	Bolt Lock Pin	53	Action Lock
4	Stock Bolt	29	Extractor Retaining Pin, Right	54	Trigger
5	Stock Bolt Washer	30	Extractor Retaining Pin, Left	55	Trigger Spring
6	Stock	31	Extractor, Left	56	Trigger Housing Pin
7	Safety Button Screw	32	Extractor Springs		Retaining<R>Spring
8	Safety Button	33	Extractor, Right	57	Mainspring Retaining Pin
9	Safety Click Ball	34	Bolt	58	Lock Action Hammer Spring
10	Safety Click Spring	35	Firing Pin	59	Lock Action Disconnecter
11	Safety Lock	36	Elevator Assembly		Spring
12	Receiver	37	Bolt Slide	60	Trigger Housing
13	Barrel	38	Cartridge Stop	61	Slide Action Spring
14	Front Sight	39	Cartridge Interruptor Assembly	62	Choke Tube
15	Takedown Screw	40	Mainspring	63	Choke Sleeve
16	Retaining Ring	41	Mainspring Plunger	64	Index Plate
17	Magazine Tube Assembly	42	Trigger Housing	65	Front Sight
18	Magazine Spring	43	Trigger Pin	66	Rear Sight Assembly
19	Magazine Follower	44	Action Lock Pin	67	Front Sight
20	Slide Action Assembly	45	Sear Pin	68	Front Swivel
21	Forend	46	Hammer Pin	69	Grip Cap
22	Slide Action Tube Nut	47	Mainspring Guide Pin	70	Grip Cap Screw
23	Magazine Wood Plug	48	Hammer	71	Firing Pin Retaining Pin
24	Ejector	49	Mainspring Guide		
25	Ejector Screw	50	Sear Spring		

Model 5500 Mark II Autoloading Shotgun



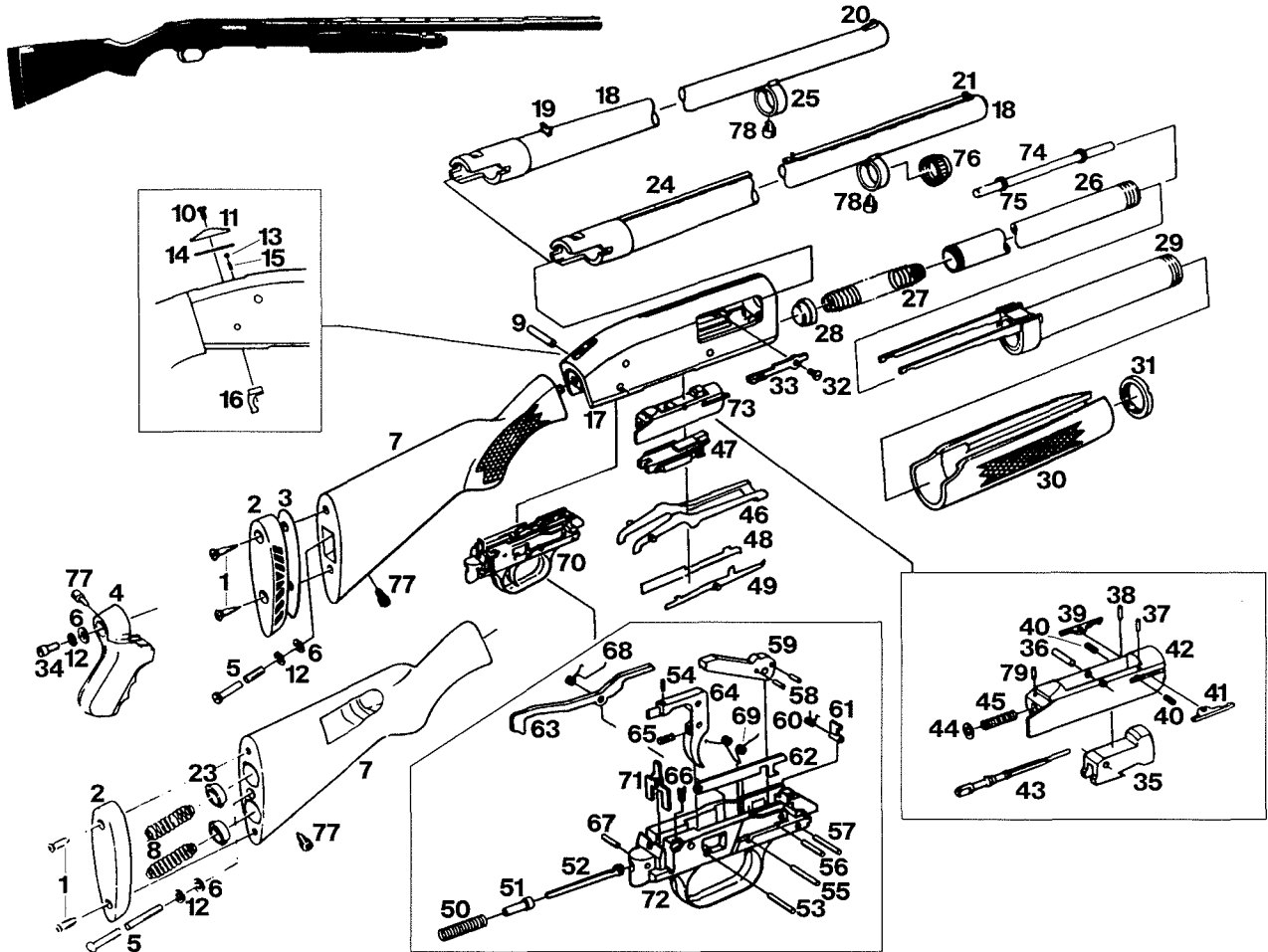
1	Recoil Pad Screws	30	Magazine Follower	59	Elevator Pawl Strut Pin
2	Recoil Pad	31	Magazine Spring	60	Elevator Pawl
3	Stock	32	Forend Cap Detent	61	Elevator
4	Stock Bolt	33	Magazine Spring Retainer	62	Bolt Release Spring Plunger
5	Stock Bolt Lock Washer	34	Magazine Plug	63	Inertia Weight
6	Stock Bolt Washer	35	Forend	64	Inner Piston Ring
7	Safety Connector	36	Forend Cap	65	O Ring
8	Bolt Buffer	37	Recoil Spring	66	Forward Seal Ring
9	Safety Connector Retaining Pin	38	Recoil Washer	67	Outer Piston Ring
10	Bolt Buffer Screws	39	Receiver Insert	68	Action Bar Sub-Assembly
11	Trigger Housing Pins	40	Magazine Tube	69	Retaining Pin
12	Safety Lock	41	Inertia Weight Buffer	70	Operating Handle Plunger
13	Detent Plate	42	Action Spring	71	Operating Handle Plunger
14	Safety Button Screw	43	Action Bar Spring Retainer		Spring
15	Safety Button	44	Sear Pin	72	Slide Block Buffer
16	Safety Detent Ball	45	Hammer Pin	73	Firing Pin
17	Safety Detent Spring	46	Elevator Pawl Pin	74	Firing Pin Spring
18	Trigger Housing Pin Retainers	47	Bolt Release Spring	75	Bolt
19	Receiver	48	Hammer	76	Bolt Lock
20	Retaining Rings	49	Hammer Spring Plunger	77	Bolt Lock Pin
21	Trigger Pin	50	Hammer Spring	78	Operating Handle
22	Shell Stop, Left	51	Sear	79	Extractor Spring
23	Trigger Housing Pin Bushings	52	Sear Spring Pin	80	Extractor Plunger
24	Trigger Housing	53	Sear Disconnecter Spring	81	Extractor
25	Pivot Pin Retaining Clips	54	Disconnecter	82	Barrel Assembly
26	Shell Stop Pivot Pins	55	Disconnecter Pins	83	Cartridge Stop Buffer, Right
27	Shell Stop Springs	56	Trigger	84	Front Sight
28	Shell Stop Assembly, Right	57	Elevator Pawl Spring	85	Firing Pin Retaining Pin
29	Cartridge Stop Buffer, Left	58	Elevator Pawl Strut	86	Bolt Release

Model 800 Bolt-Action Rifle



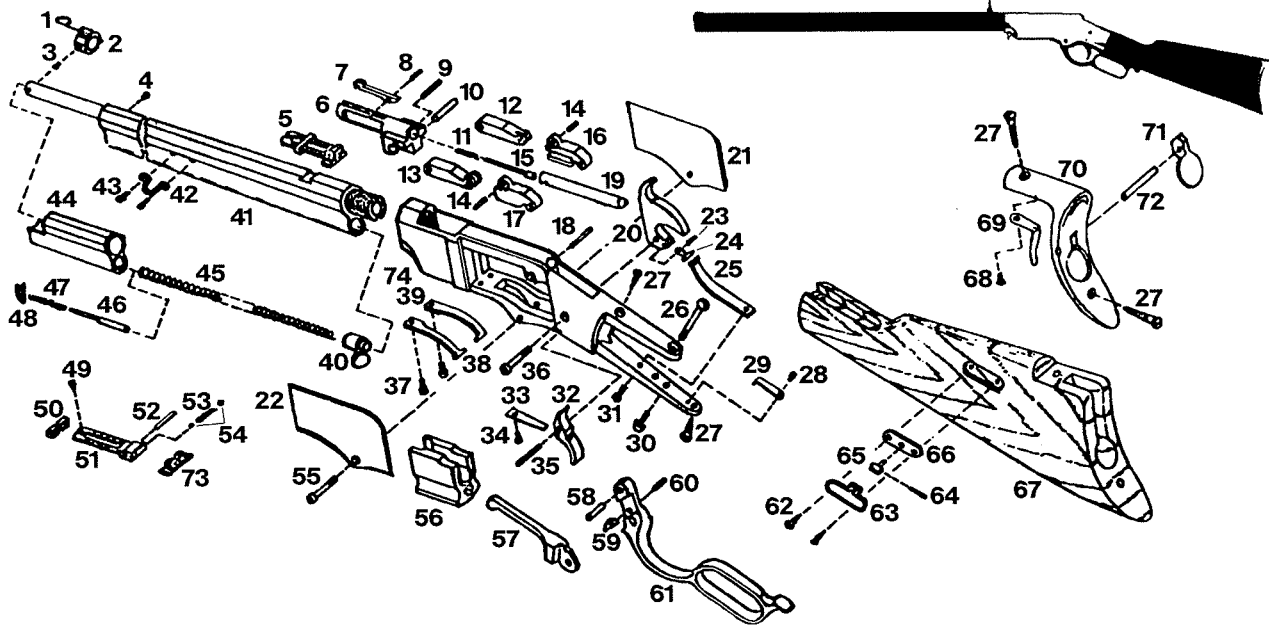
- | | | | | | |
|----|------------------------------|----|-------------------------|----|----------------------------------|
| 1 | Barrel and Receiver Assembly | 20 | Sear | 38 | Swivel Loop and Bushing Assembly |
| 2 | Dummy Screws | 21 | Firing Pin | 39 | Swivel Screws |
| 3 | Front Sight Ramp | 22 | Sear and Trigger Spring | 40 | Magazine Follower |
| 4 | Bolt | 23 | Trigger Housing | 41 | Magazine Spring |
| 5 | Striker Spring | 24 | Trigger | 42 | Magazine Floorplate |
| 6 | Safety Cap Lock Plunger | 25 | Trigger Sear | 43 | Magazine Stock Plate |
| 7 | Safety Cap Lock Spring | 26 | Trigger and Sear Pins | 44 | Magazine Latch |
| 8 | Extractor | 27 | Trigger Sear Spring | 45 | Magazine Latch Spring |
| 9 | Ejector | 28 | Trigger Sear Plunger | 46 | Magazine Latch Retaining Ring |
| 10 | Extractor Plunger | 29 | Retaining Rings | 47 | Magazine Floorplate Pin |
| 11 | Ejector Spring | 30 | Stock | 48 | Front Sight |
| 12 | Extractor Spring | 31 | Grip Cap | 49 | Front Sight Screw |
| 13 | Ejector Retaining Pin | 32 | Grip Cap Spacer | 50 | Magazine Shell |
| 14 | Safety Cap | 33 | Grip Cap Screw | 51 | Rear Sight |
| 15 | Safety Button | 34 | Buttplate | 52 | Trigger Housing Screw |
| 16 | Safety Lock | 35 | Buttplate Screws | 53 | Front Takedown Screw |
| 17 | Safety Button Screw | 36 | Buttplate Spacer | 54 | Rear Takedown Screw |
| 18 | Safety Click Ball | 37 | Housing Pin | 55 | Escutcheon |
| 19 | Safety Click Spring | | | | |

Model 835 Ulti-Mag Slide-Action Shotgun



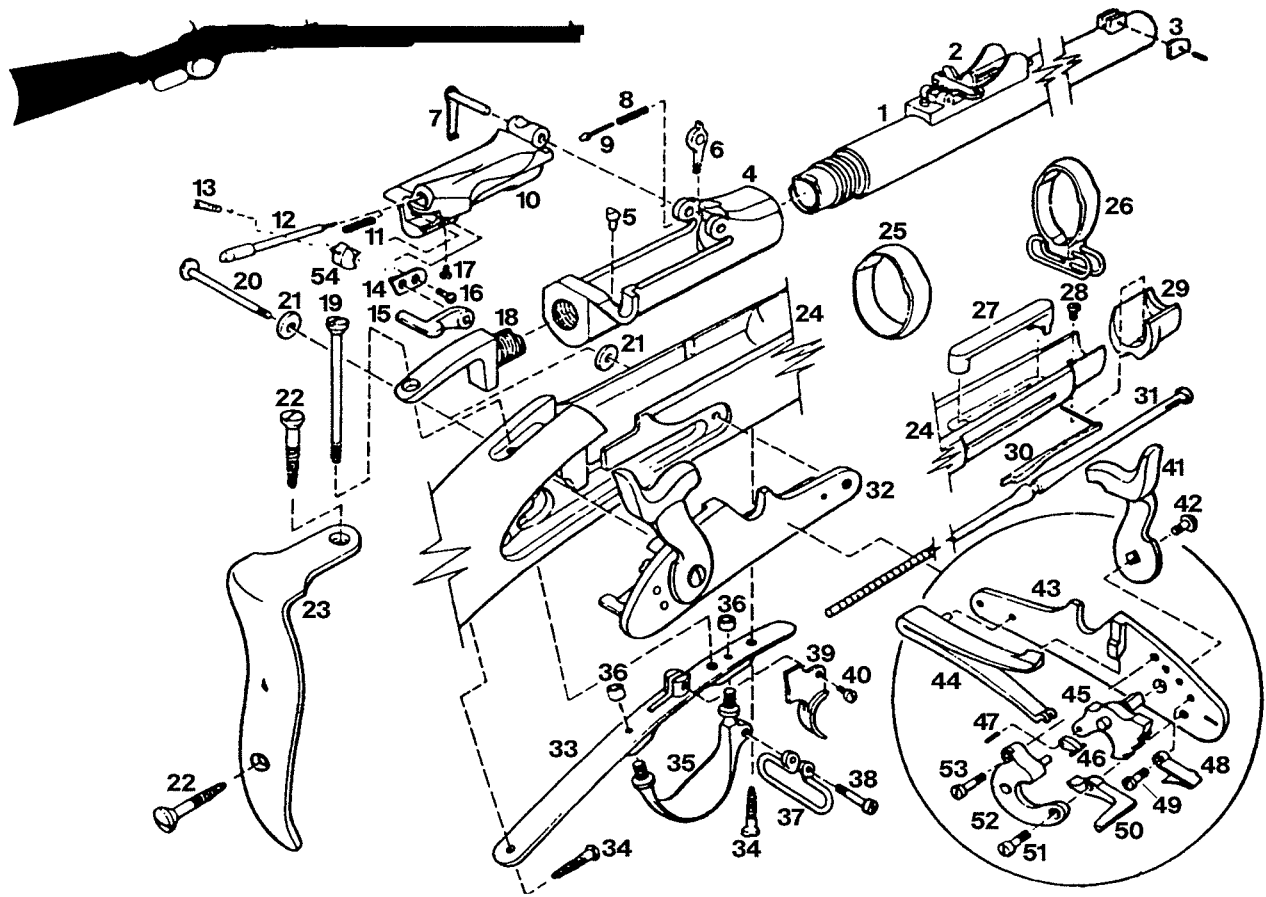
1	Recoil Pad Screws	28	Magazine Follower	55	Action Lock Pin
2	Recoil Pad	29	Slide Action Tube Assembly	56	Hammer Pin
3	Spacer	30	Forearm	57	Sear Pin
4	Cruiser Grip	31	Action Slide Tube Nut	58	Mainspring Guide Pins
5	Stock Bolt	32	Ejector Screw	59	Hammer
6	Stock Bolt Washers	33	Ejector	60	Sear Spring
7	Stock	34	Pistol Grip Stock Bolt	61	Sear
8	Follower Springs	35	Bolt Lock	62	Disconnecter
9	Trigger Housing Pin	36	Bolt Lock Pin	63	Action Lock Lever
10	Safety Button Screw	37	Extractor Retaining Pin, Right	64	Trigger
11	Safety Button	38	Extractor Retaining Pin, Left	65	Trigger Spring
12	Stock Bolt Lock Washer	39	Extractor, Left	66	Trigger Housing Pin
13	Safety Detent Ball	40	Extractor Springs		Retaining->Spring
14	Safety Detent Plate	41	Extractor, Right	67	Mainspring Retaining Pin
15	Safety Detent Spring	42	Bolt	68	Lock Action Hammer Spring
16	Safety Block	43	Firing Pin	69	Lock Action Disconnecter
17	Receiver	44	Firing Pin Washer		Spring
18	Barrel Assembly	45	Firing Pin Spring	70	Trigger Housing Assembly
19	Rear Sight Assembly	46	Elevator Assembly	71	Connector
20	Front Sight Ramp	47	Bolt Slide	72	Trigger Housing
21	Bead Sight	48	Cartridge Stop	73	Bolt Assembly
22	Middle Sight	49	Cartridge Interruptor Assembly	74	Dowel
23	Followers	50	Mainspring	75	O Rings
24	Ventilated Rib	51	Mainspring Plunger	76	Magazine Cap
25	Takedown Screw Assembly	52	Mainspring Guide	77	Stud, Rear
26	Magazine Tube	53	Trigger Pin	78	Stud, Front
27	Magazine Tube Spring	54	Trigger Stop	79	Firing Pin Retaining Pin

1866 Henry Military Lever-Action Rifle



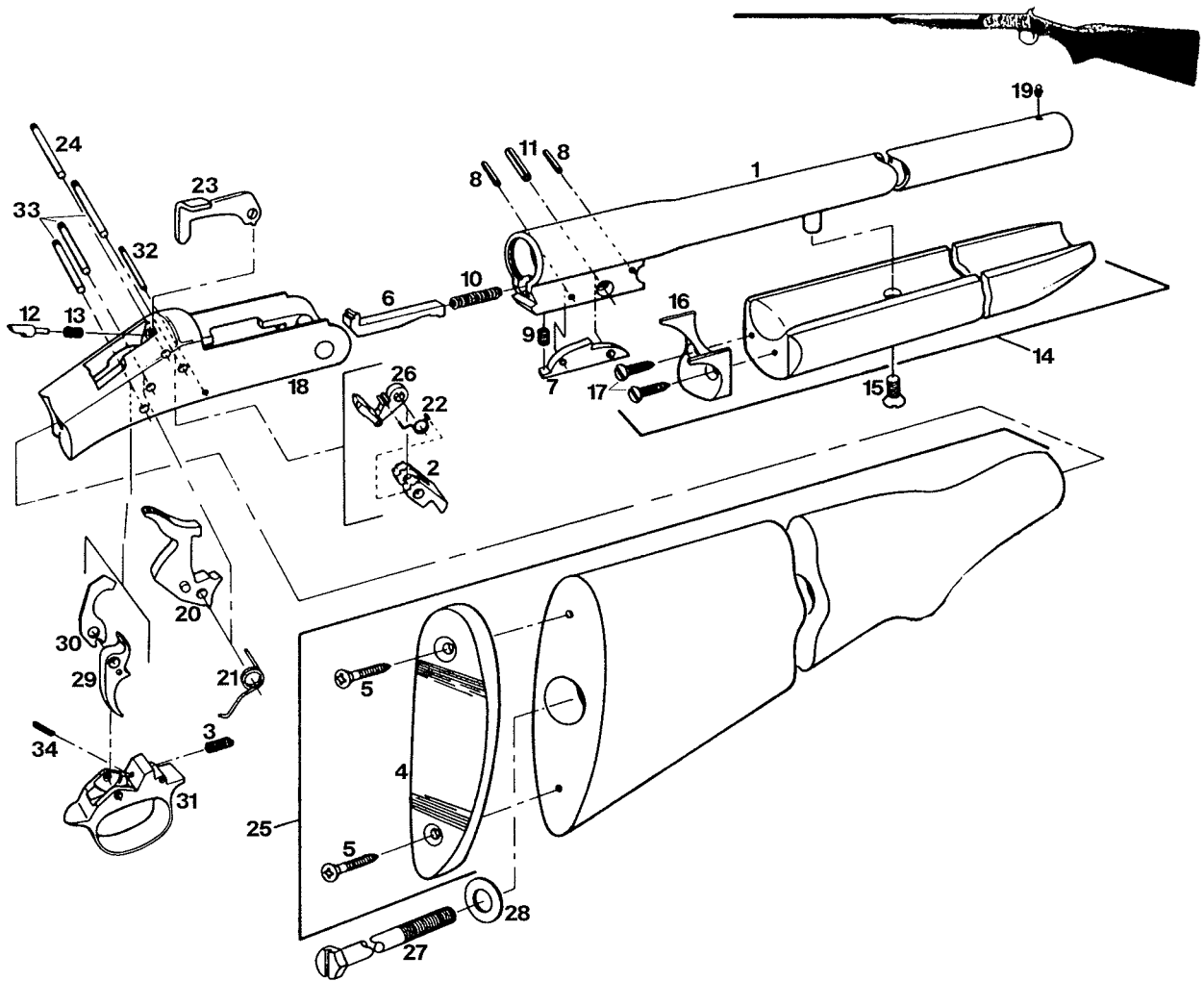
1	Front Sight Blade	38	Left Lever Spring
2	Front Sight Ring	39	Right Lever Spring
3	Front Sight Ring Screw	40	Magazine Follower
4	Sleeve Stop Screw	41	Barrel
5	Rear Sight Assembly	42	Sling Loop
6	Bolt	43	Sling Loop Screws
7	Extractor	44	Barrel Sleeve
8	Extractor Pin	45	Magazine Spring
9	Extension Pin	46	Magazine Detent
10	Front Link Pin	47	Magazine Detent Spring
11	Firing Pin Spring	48	Magazine Detent Head
12	Right Front Link	49	Rear Sight Ladder Screw
13	Left Front Link	50	Rear Sight Notch
14	Link Pins	51	Rear Sight Ladder
15	Firing Pin	52	Rear Sight Pin
16	Right Rear Link	53	Rear Sight Spring
17	Left Rear Link	54	Rear Sight Windage Screws
18	Firing Pin Retaining Pin	55	Sideplate Screw
19	Firing Pin Extension	56	Carrier Block
20	Hammer	57	Lifter Arm
21	Right Sideplate	58	Lever Pin
22	Left Sideplate	59	Lifter Arm Spacer
23	Hammer Link Pin	60	Lifter Arm Spacer Pin
24	Hammer Link	61	Lever
25	Mainspring	62	Sling Swivel Screws
26	Main Tang Screw	63	Sling Swivel
27	Buttplate and Tang Screws	64	Sling Swivel Base Pin
28	Lever Lock Spring Screw	65	Sling Swivel Base
29	Lever Lock Spring	66	Sling Swivel Plate
30	Lever Lock	67	Buttstock
31	Mainspring Screw	68	Trap Spring Screw
32	Trigger	69	Trap Spring
33	Trigger Spring	70	Buttplate
34	Trigger Spring Screw	71	Buttplate Trap
35	Trigger Pin	72	Buttplate Trap Pin
36	Hammer Screw	73	Rear Sight Base
37	Lever Spring Screws	74	Receiver

1873 Trapdoor Springfield Rifle



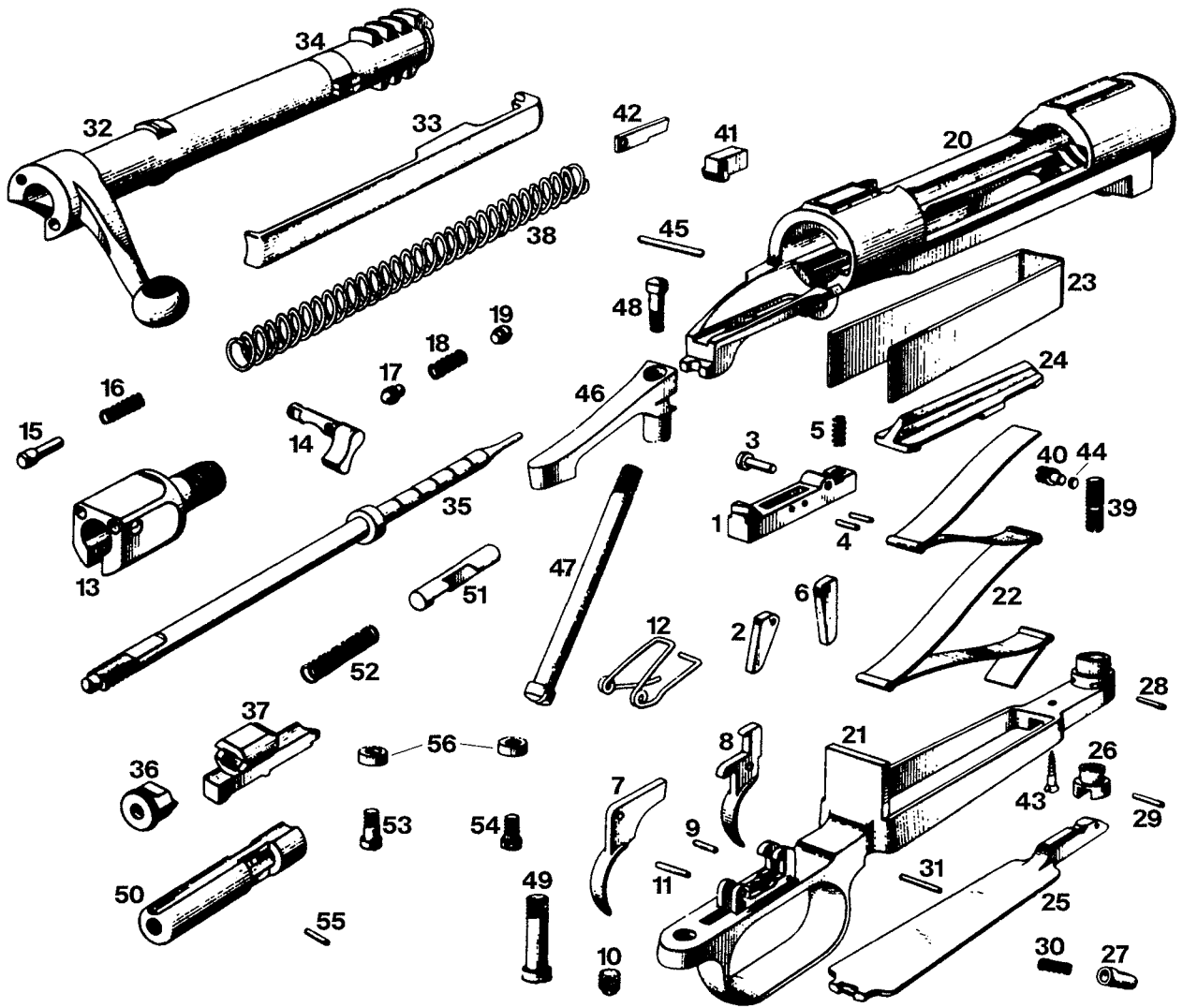
1	Barrel	28	Stock Tip Screw
2	Rear Sight Assembly	29	Stock Tip
3	Front Sight and Pin	30	Band Springs
4	Breech	31	Ramrod
5	Ejector Stud	32	Lock
6	Extractor	33	Guard Plate
7	Hinge Pin	34	Guard Screws
8	Ejector Spring	35	Guard Bow
9	Spindle	36	Guard Bow Nuts
10	Breechblock	37	Guard Bow Swivel
11	Cam Latch Spring	38	Guard Bow Swivel Screw
12	Firing Pin	39	Trigger
13	Cam Latch Screw	40	Trigger Screw
14	Breechblock Cap	41	Hammer
15	Thumb-Piece	42	Tumbler Screw
16	Breechblock Cap Screw	43	Lock Plate
17	Firing Pin Screw	44	Mainspring
18	Breech Screw	45	Tumbler
19	Tang Screw	46	Mainspring Swivel
20	Side Screws	47	Mainspring Swivel Pin
21	Side Screw Washers	48	Sear Spring
22	Buttplate Screws	49	Sear Spring Screw
23	Buttplate	50	Sear
24	Stock	51	Sear Screw
25	Lower Band	52	Bridle
26	Upper Band	53	Bridle Screw
27	Ramrod Stop	54	Cam Latch

Pardner Single Shot Shotgun



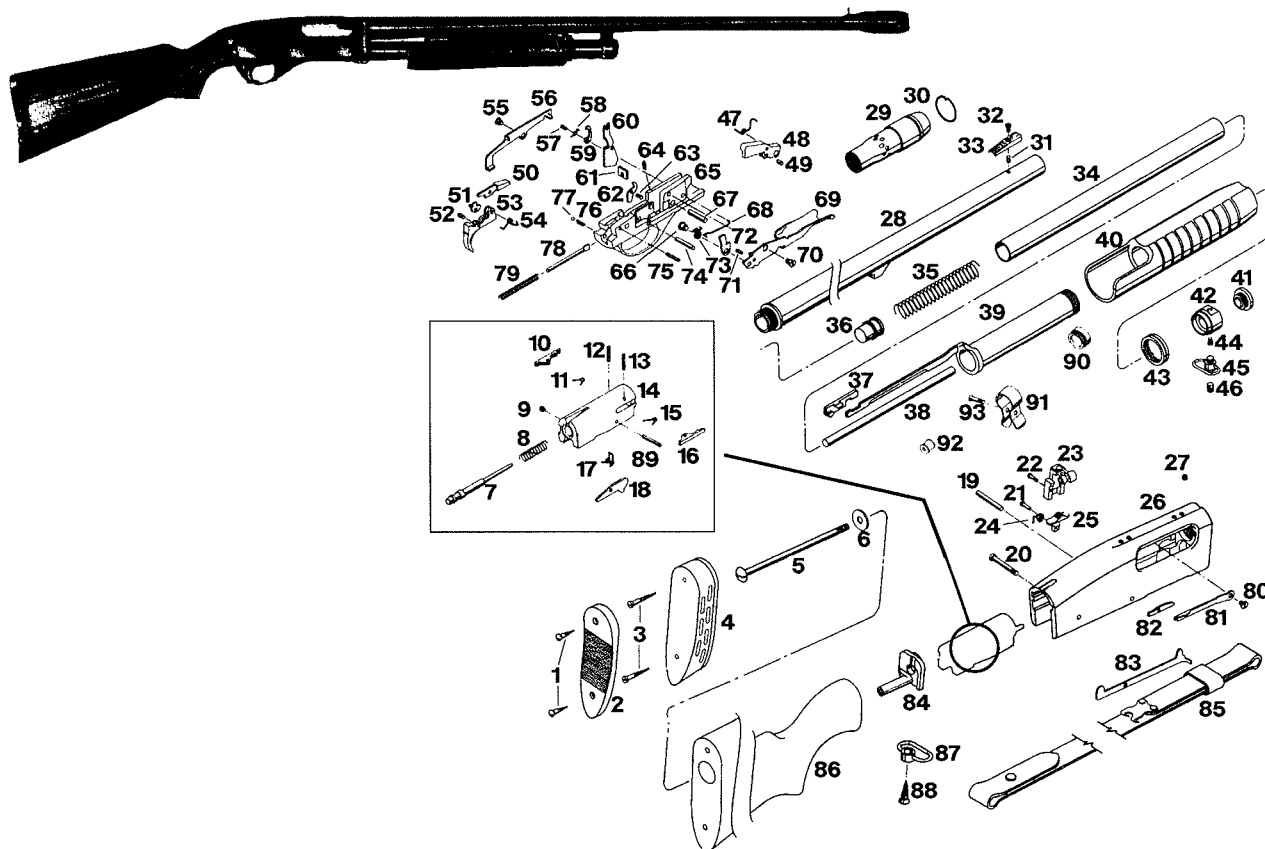
1	Barrel	18	Frame
2	Barrel Catch	19	Front Sight
3	Barrel Catch Spring	20	Hammer
4	Buttplate	21	Hammer Spring
5	Buttplate Screws	22	Lifter Spring
6	Ejector	23	Release Lever
7	Ejector Latch	24	Release Lever and Firing Pin
8	Ejector Latch and Ejector Spring		Retaining Pin
	Stop Pins	25	Stock Assembly
9	Ejector Latch Spring	26	Striker and Lifter Assembly
10	Ejector Spring	27	Stock Screw
11	Ejector Stop Pin	28	Stock Screw Washer
12	Firing Pin	29	Trigger
13	Firing Pin Spring	30	Trigger Extension
14	Forend Assembly	31	Trigger Guard
15	Forend Screw	32	Trigger Guard Pin, Front
16	Forend Spacer	33	Trigger Guard Pins, Rear
17	Forend Spacer Screws	34	Trigger Spring

Bolt-Action Rifle



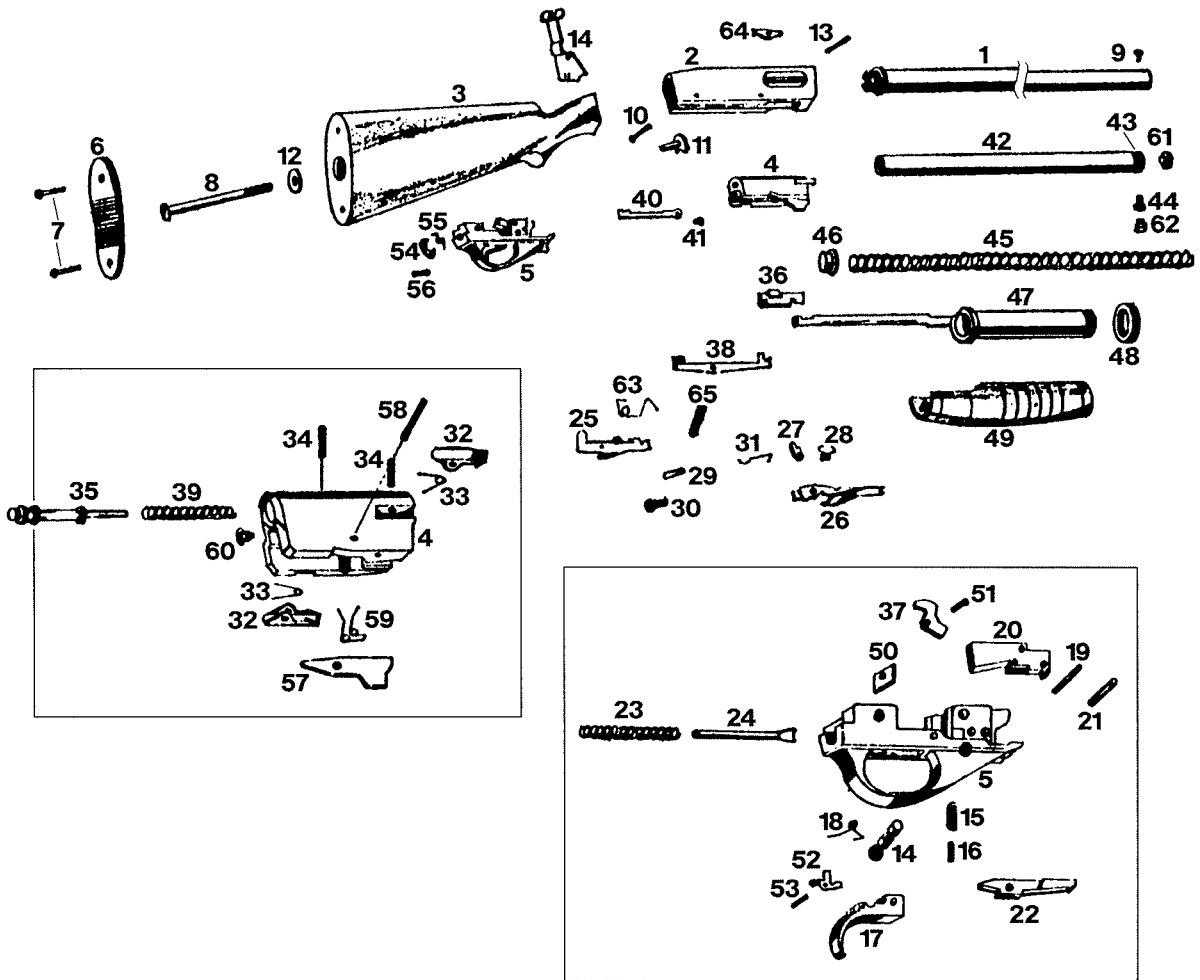
1	Sear	20	Receiver	39	Front Receiver Screw
2	Rear Knockoff	21	Trigger Guard	40	Front Receiver Screw Binding Screw
3	Sear Pin	22	Magazine Spring	41	Bolt Stop
4	Knockoff Pins	23	Magazine Box	42	Ejector
5	Sear Spring	24	Magazine Follower	43	Front Guard Screw
6	Front Knockoff	25	Magazine Floorplate	44	Front Receiver Screw Binding Screw Plug
7	Set-Trigger	26	Front Receiver Screw Nut	45	Bolt Stop Pin
8	Front Trigger	27	Magazine Floorplate Catch	46	Upper Tang
9	Front Trigger Pin	28	Front Receiver Screw Nut Pin	47	Upper Tang Truss Bolt
10	Trigger Adjusting Screw	29	Magazine Floorplate Pin	48	Upper Tang Adjusting Screw
11	Rear Trigger Pin	30	Magazine Floorplate Catch Spring	49	Rear Receiver Screw
12	Set-Trigger Spring	31	Magazine Floorplate Catch Pin	50	Forearm Snap Body
13	Sleeve	32	Bolt	51	Forearm Snap Bolt
14	Safety	33	Extractor	52	Forearm Snap Spring
15	Sleeve Locking Bolt	34	Extractor Collar	53	Forearm Snap Rear Screw
16	Sleeve Locking Bolt Spring	35	Firing Pin	54	Forearm Snap Front Screw
17	Rear Sleeve Poppet	36	Firing Pin Nut	55	Forearm Snap Pin
18	Sleeve Poppet Spring	37	Cocking Head	56	Forearm Snap Screw Escutcheons
19	Front Sleeve Poppet	38	Mainspring		

Model 60, 60AF, 160 and 65 Slide-Action Shotgun



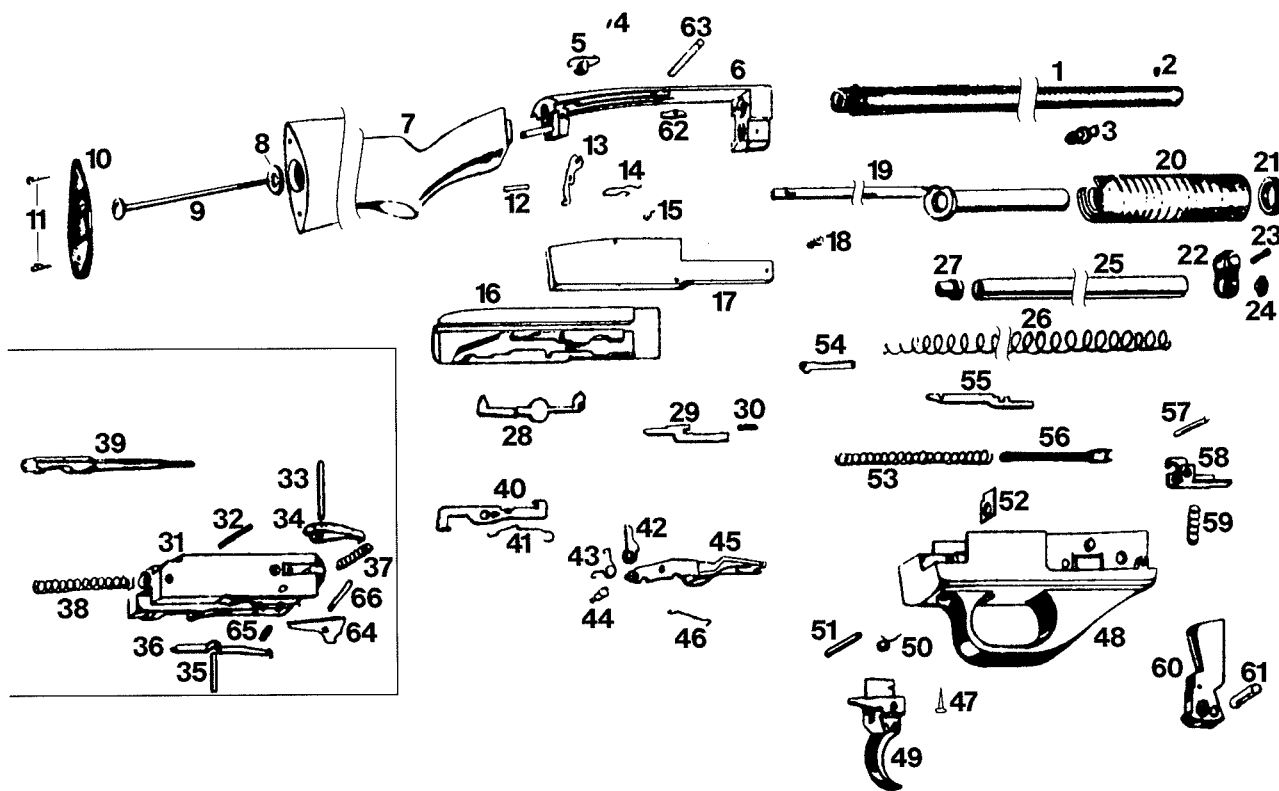
1	Buttplate Screws	32	Front Sight Screw	63	Detent Pin
2	Hard Rubber Buttplate	33	Ramp Front Sight	64	Release Lever Booster Spring
3	Recoil Pad Screws	34	Magazine Tube	65	Trigger Plate
4	Recoil Pad	35	Magazine Spring	66	Lifter Pawl Stud
5	Stock Bolt	36	Magazine Spring Follower	67	Hammer Pin
6	Stock Bolt Washer	37	Bolt Slide	68	Lifter Spring
7	Firing Pin	38	Wood Plug	69	Lifter
8	Firing Pin Spring	39	Handle Bar Tube Assembly	70	Pivot Screw Lifter
9	Firing Pin Retainer Screw	40	Forend Wood	71	Lifter Pawl Spring Post
10	Extractor, Left	41	Magazine Plug Dummy	72	Lifter Pawl
11	Extractor Spring, Left	42	Magazine Mount Plug	73	Lifter Pawl Spring
12	Extractor Pin, Left	43	Forend Retainer, Front	74	Trigger Pin
13	Extractor Pin, Right	44	Magazine Mount Plug Screw	75	Top Safe Pivot Pin
14	Breechbolt	45	Top Swivel with Screw	76	Safety Click Ball Spring
15	Extractor Spring, Right	46	Magazine Mount Plug Dummy Screw	77	Safety Click Ball
16	Extractor, Right	47	Release Lever Actuator Spring	78	Mainspring Follower
17	Cartridge Stop Spring	48	Hammer	79	Mainspring
18	Cartridge Stop	49	Mainspring Follower Pin	80	Ejector Screw
19	Trigger Plate Pin	50	Sear	81	Ejector
20	Trigger Plate Screw	51	Detent Trip	82	Shell Bumper
21	Safety Button Spring Retainer	52	Detent Trip Pin	83	Cartridge Cutoff
22	Sight Screw	53	Trigger	84	Stock Retainer
23	Sight	54	Trigger Spring	85	Gun Carry Strap
24	Safety Button Spring	55	Pivot Screw Release	86	Stock
25	Top Safety Button	56	Release Lever	87	Bottom Swivel
26	Receiver	57	Release Latch Spring Pin	88	Bottom Swivel Screw
27	Dummy Screw	58	Release Latch Spring	89	Cartridge Stop Pin
28	Barrel	59	Release Latch	90	Magazine Cap
29	Choke	60	Top Safe Lever	91	Magazine Mount Band
30	Choke Click Spring	61	Mainspring Bridge	92	Barrel Mount Spacer
31	Front Sight Bead	62	Detent	93	Magazine Mount KEY Retaining Screw

Model 60G and 65G Slide-Action Shotgun



1	Barrel	23	Mainspring	45	Magazine Spring
2	Receiver	24	Mainspring Follower	46	Magazine Spring Follower
3	Stock	25	Release Lever	47	Operating Bar and Tube Assembly
4	Breechbolt	26	Lifter	48	Forend Retainer, Front
5	Trigger Guard	27	Lifter Pawl	49	Forend Wood
6	Buttplate	28	Lifter Pawl Spring	50	Mainspring Bridge
7	Buttplate Screws	29	Lifter Pawl Spring Post	51	Detent Pin
8	Stock Bolt	30	Lifter Pawl Stud	52	Detent Trip
9	Front Sight	31	Lifter Spring	53	Detent Trip Pin
10	Trigger Plate Screw	32	Extractors	54	Release Latch
11	Stock Retainer	33	Extractor Springs	55	Release Latch Spring
12	Stock Bolt Washer	34	Extractor Pins	56	Release Latch Spring Pin
13	Trigger Plate Pin	35	Firing Pin	57	Cartridge Stop
14	Safety Button	36	Bolt Slide	58	Cartridge Stop Pin
15	Safety Button Spring	37	Detent	59	Cartridge Stop Spring
16	Safety Spring Plunger	38	Cartridge Cutoff	60	Firing Pin Retaining Screw
17	Trigger	39	Firing Pin Spring	61	Magazine Plug Dummy
18	Trigger Spring	40	Ejector	62	Magazine Mount Plug
19	Trigger Pin	41	Ejector Screw		Dummy Screw
20	Hammer	42	Magazine Tube	63	Release Actuator Spring
21	Hammer Pin	43	Magazine Mount Plug	64	Shell Bumper
22	Sear	44	Magazine Mount Plug Screw	65	Release Lever Booster Spring

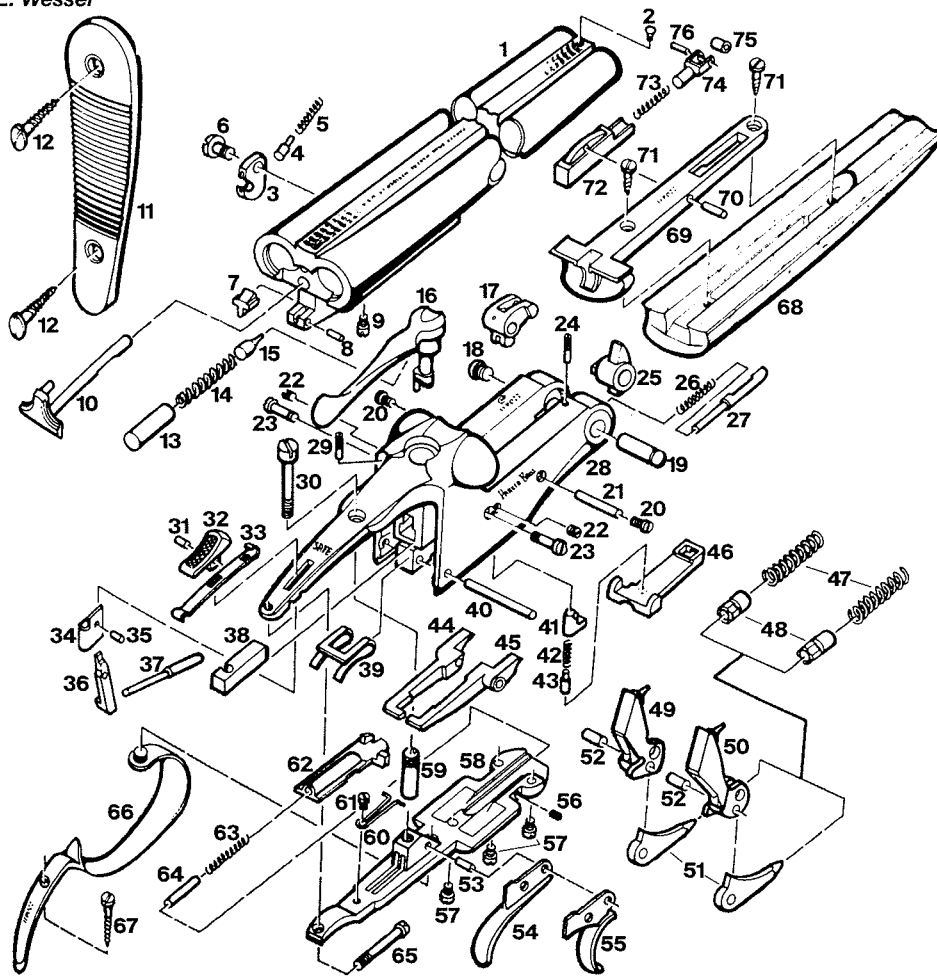
Model 70G and 72G Slide-Action Shotgun



1	Barrel	23	Magazine Mount Key Retaining Screw	45	Lifter
2	Front Sight	24	Magazine Plug Dummy	46	Lifter Spring
3	Magazine Mount Key	25	Magazine Tube	47	Rear Trigger Guard Screw
4	Safety Button Pin	26	Magazine Spring	48	Trigger Guard
5	Safety Button	27	Magazine Follower	49	Trigger
6	Frame	28	Cartridge Cutoff	50	Trigger Spring
7	Stock	29	Ejector	51	Trigger Pin
8	Stock Bolt Washer	30	Ejector Spring	52	Mainspring Bridge
9	Stock Bolt	31	Bolt	53	Mainspring
10	Buttplate	32	Firing Pin Retaining Pin	54	Trip Spring
11	Buttplate Screw	33	Right Extractor Pin	55	Sear Trip
12	Safety Pin	34	Right Extractor	56	Mainspring Follower
13	Safety Lever	35	Left Extractor Pin	57	Sear Pin
14	Safety Button Spring	36	Left Extractor	58	Sear
15	Sideplate Screws	37	Right Extractor Spring	59	Sear Spring
16	Left Sideplate	38	Firing Pin Spring	60	Hammer
17	Right Sideplate	39	Firing Pin	61	Hammer Pin
18	Front Sideplate Screws	40	Release Lever	62	Shell Bumper
19	Handle Bar Tube Assembly	41	Release Lever Spring	63	Front Trigger Guard Screw
20	Forend	42	Lifter Pawl	64	Latch Cartridge Stop
21	Forend Retainer, Front	43	Lifter Pawl Spring	65	Latch Cartridge Stop Spring
22	Magazine Mount	44	Lifter Pawl Pin	66	Cartridge Stop Pin

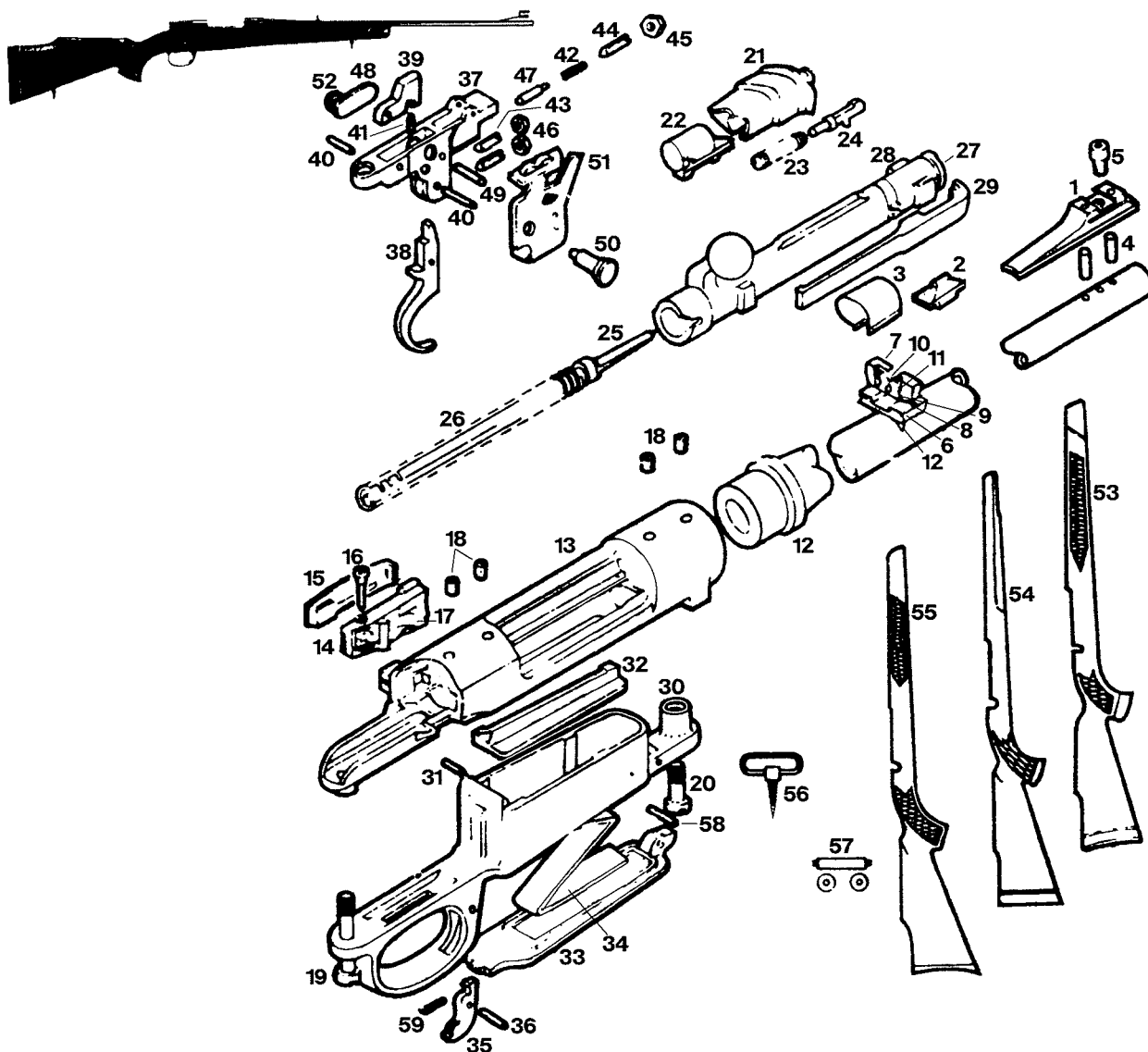
Side-by-Side Shotgun

Courtesy of Thomas E. Wessel



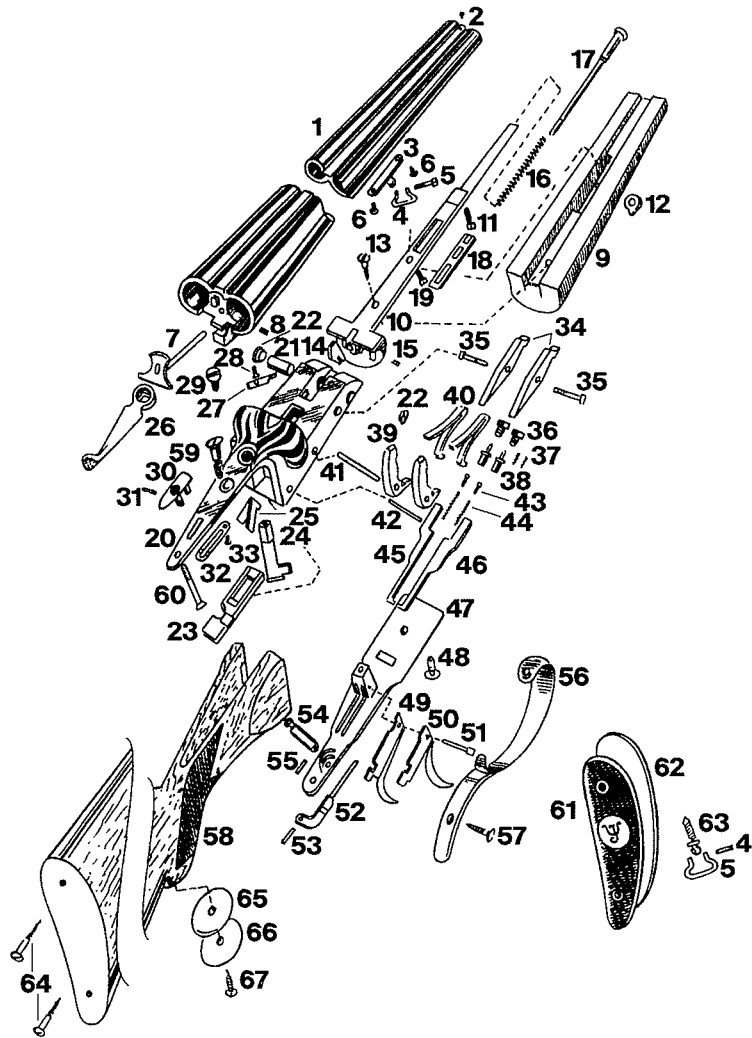
1	Barrels	27	Unhooking Pin	53	Trigger Pin
2	Front Sight	28	Receiver	54	Trigger, Left
3	Cocking Link	29	Top-Lever Retaining Screw	55	Trigger, Right
4	Cocking Link Spring Pin	30	Tang Screw, Front	56	Unhooking Slide Screw
5	Cocking Link Spring	31	Safety Slide Pin	57	Trigger Plate Screws
6	Cocking Link Screw	32	Safety Slide	58	Trigger Plate
7	Bolt Plate	33	Safety Slide Spring	59	Tang Screw Sleeve
8	Bolt Plate Retaining Pin	34	Safety-Lever Jacket	60	Trigger Spring
9	Extractor Screw	35	Safety-Lever Pin	61	Trigger Spring Screw Pin
10	Extractor	36	Safety-Lever	62	Unhooking Slide
11	Buttplate	37	Safety Pin	63	Unhooking Slide Spring
12	Buttplate Screws	38	Bolt	64	Unhooking Slide Plunger
13	Top-Lever Spring Shell	39	Sear Spring	65	Tang Screw, Rear
14	Top-Lever Spring	40	Sear Pin	66	Guard Bow
15	Top-Lever Spring Plunger	41	Trip	67	Guard Bow Screw
16	Top-Lever	42	Trip Spring	68	Forend
17	Cocking Crank	43	Trip Spring Plunger	69	Forend Iron
18	Joint Pin Screw	44	Sear, Left	70	Forend Plunger Box Pin
19	Joint Pin	45	Sear, Right	71	Forend Screws
20	Cocking Crank Pin Stop Screws	46	Cocking Slide	72	Forend Plunger Box
21	Cocking Crank Pin	47	Mainsprings	73	Forend Plunger Spring
22	Hammer Fastening Screws	48	Mainspring Plungers	74	Forend Plunger
23	Hammer Screws	49	Hammer, Left	75	Forend Plunger Roll
24	Unhooking Pin Screw	50	Hammer, Right	76	Forend Plunger Roll Pin
25	Joint Roll	51	Hammer Stirrups		
26	Unhooking Pin Spring	52	Mainspring Pins		

1200, 1100 and 1000 Series Bolt-Action Rifle

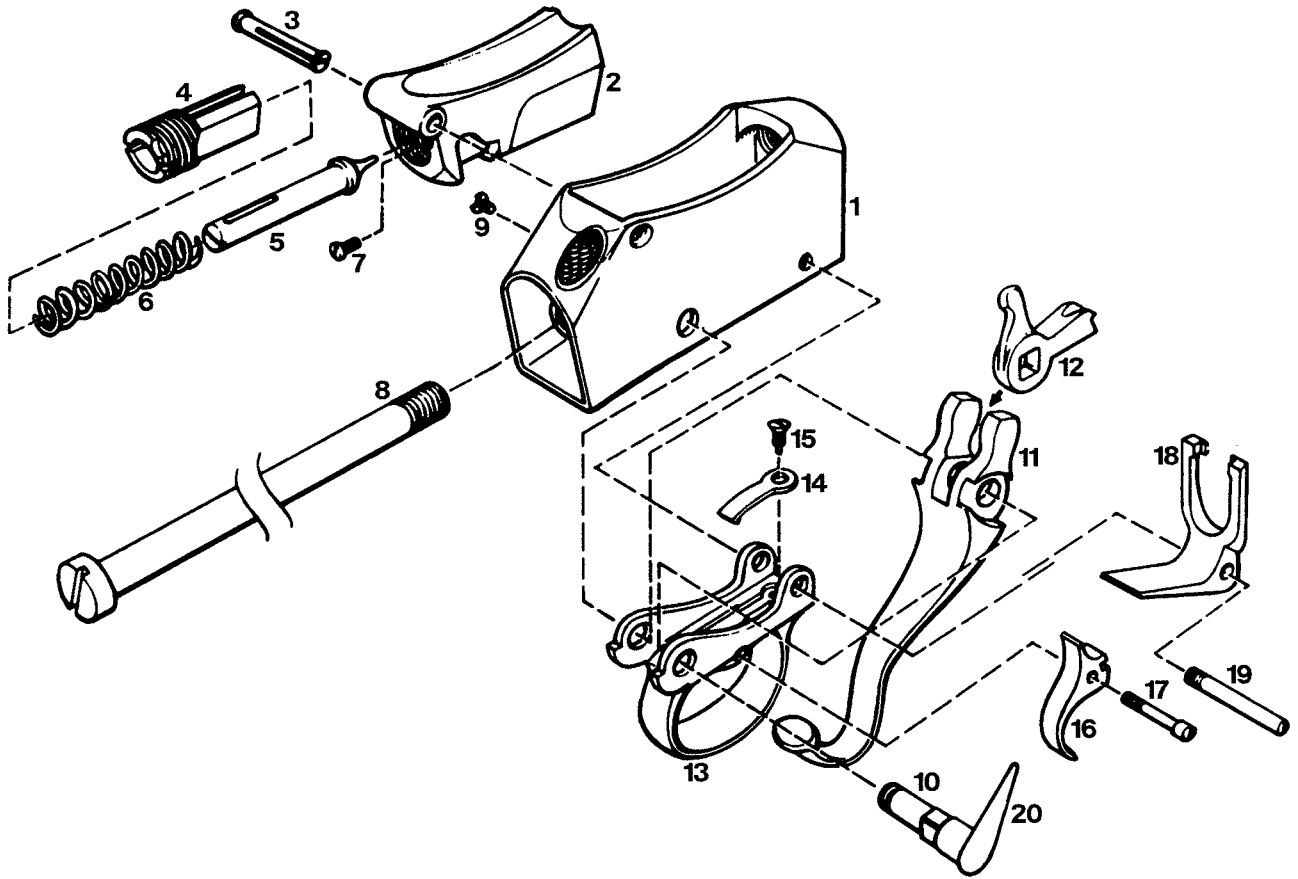


- | | | | | | |
|----|---------------------------|----|--------------------------------|----|-----------------------|
| 1 | Front Sight Ramp | 21 | Bolt Plug | 41 | Sear Spring |
| 2 | Front Sight Blade | 22 | Cocking Piece | 42 | Trigger Spring |
| 3 | Protector | 23 | Bolt Plug Spring | 43 | Trigger Screws |
| 4 | Front Sight Dowels | 24 | Bolt Plug Plunger | 44 | Spring Screw |
| 5 | Front Sight Screw | 25 | Striker | 45 | Spring Screw Nut |
| 6 | Slide | 26 | Striker Spring | 46 | Trigger Nuts |
| 7 | Leaf | 27 | Bolt | 47 | Plunger |
| 8 | Gib Spring | 28 | Bolt Ring | 48 | Detent Pin Spring |
| 9 | Pivot Pin | 29 | Extractor | 49 | Detent Pin |
| 10 | Scale Plate | 30 | Trigger Guard and Magazine Box | 50 | Axis Pin |
| 11 | Scale Plate Screw | 31 | Trigger Assembly Pin | 51 | Safety Catch |
| 12 | Barrel | 32 | Magazine Platform | 52 | Washer Axis Pin |
| 13 | Action | 33 | Floorplate | 53 | Stock (1200) |
| 14 | Bolt Stop | 34 | Magazine Spring | 54 | Stock (1100) |
| 15 | Bolt Stop Spring | 35 | Magazine Catch | 55 | Stock (1000) |
| 16 | Bolt Stop Screw | 36 | Magazine Catch Pin | 56 | Swivel |
| 17 | Ejector | 37 | Frame | 57 | Recoil Bar Nuts |
| 18 | Grub Screws | 38 | Trigger | 58 | Floorplate Pin |
| 19 | Rear Trigger Guard Screw | 39 | Sear | 59 | Magazine Catch Spring |
| 20 | Front Trigger Guard Screw | 40 | Trigger and Sear Pins | | |

600 Side-by-Side Shotgun

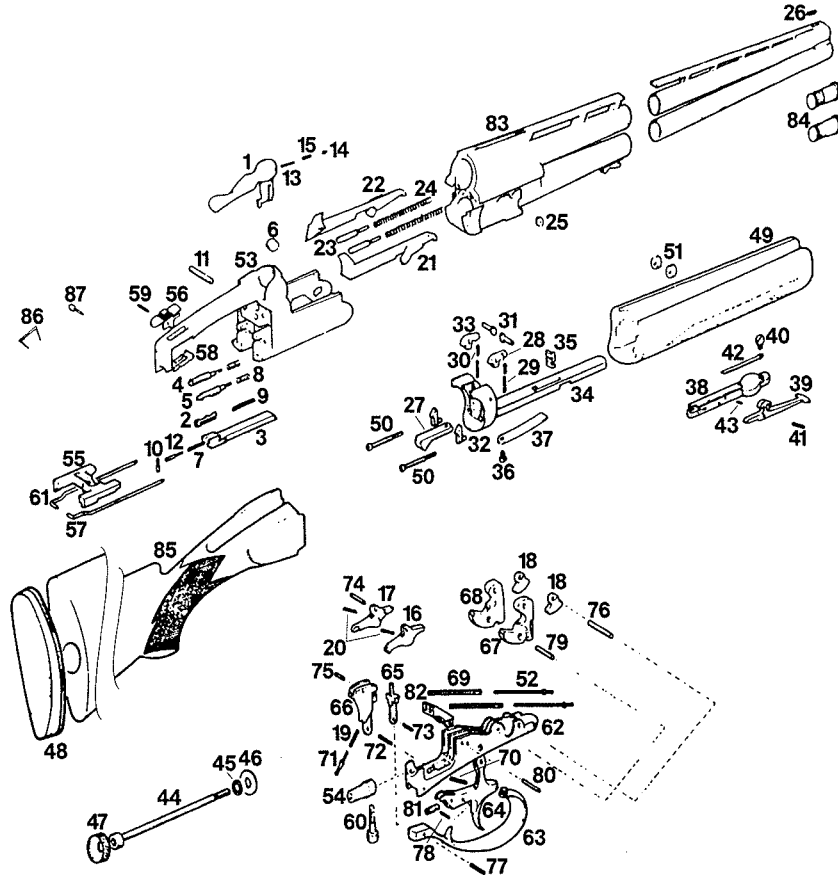


1	Barrels	24	Spindle	47	Trigger Plate
2	Front Sight	25	Top-Lever Spring	48	Frame Top-Plate Screw
3	Swivel Base	26	Top-Lever	49	Trigger, Left
4	Swivel Clamps	27	Treble Cross Bolt	50	Trigger, Right
5	Swivel Pins	28	Cross Bolt Screw	51	Cross Pin Screw
6	Swivel Base Screws	29	Top-Lever Screw	52	Safety Square
7	Extractor	30	Safety Button	53	Square Pin
8	Extractor Stop Screw	31	Safety Button Pin	54	Swing Bar
9	Forend Wood	32	Safety Spring	55	Swing Bar Pin
10	Forend Iron	33	Safety Spring Screw	56	Trigger Guard
11	Forend Screw, Front	34	Cocking Levers	57	Trigger Guard Screw
12	Forend Nut	35	Cocking Lever Screws	58	Stock
13	Forend Screw, Rear	36	Firing Pin Bushings	59	Frame Screw, Rear
14	Extractor Cam	37	Firing Pin Springs	60	Frame Top-Plate Screw, Rear
15	Extractor Cam Screw	38	Firing Pins	61	Buttplate
16	Forend Latch Rod Spring	39	Hammers	62	Buttplate Spacer
17	Forend Release Rod	40	Mainsprings	63	Swivel Stock Screw
18	Forend Latch Bolt	41	Hammer Cross Pin	64	Buttplate Screws
19	Pin Screw	42	Sear Pin	65	Pistol Grip Cap Spacer
20	Action	43	Spring Spouts	66	Pistol Grip Cap
21	Cross Pin	44	Spiral Springs	67	Pistol Grip Cap Screw
22	Screw Plug	45	Sear, Left		
23	Cross Bolt	46	Sear, Right		



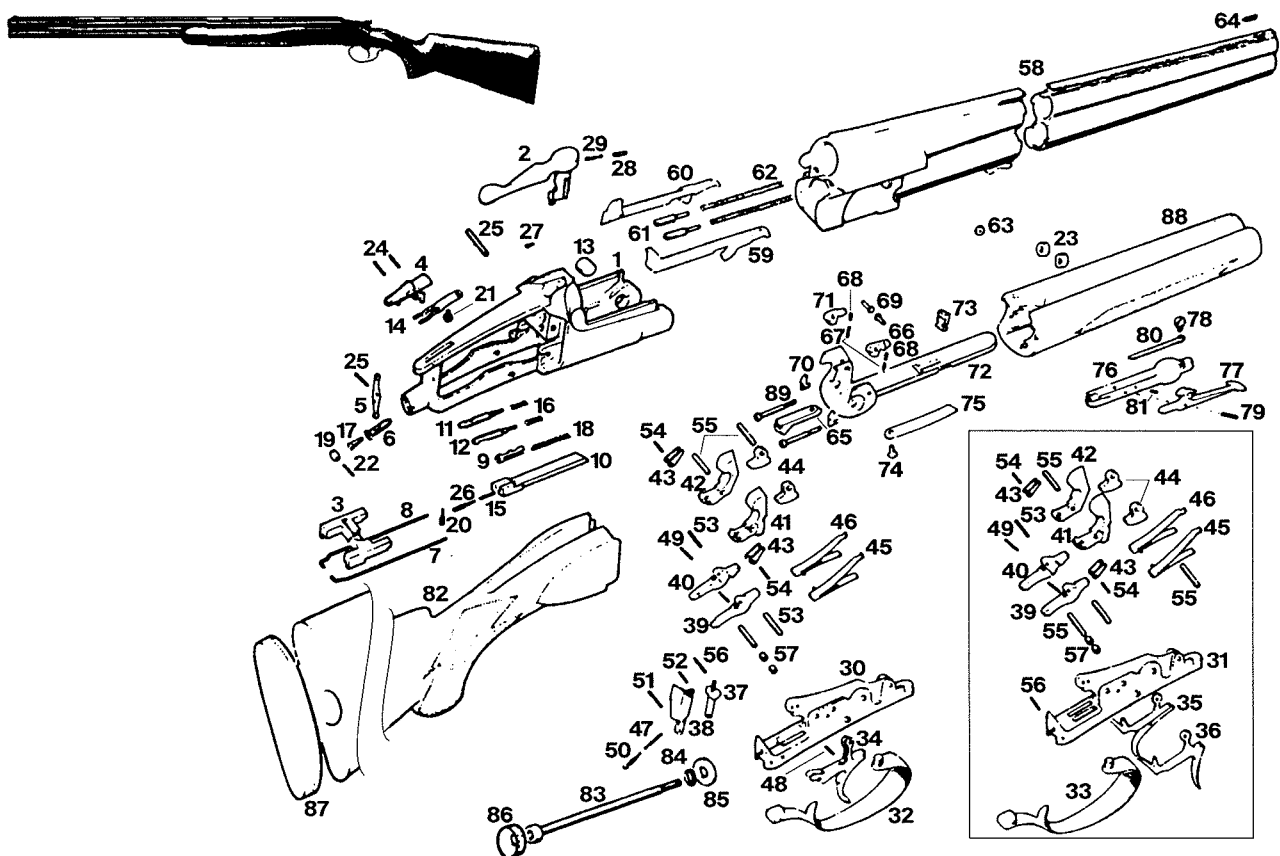
1	Receiver	16	Trigger
2	Breechblock	17	Trigger Axis Screw
3	Breechblock Axis Pin	18	Extractor
4	Stop Nut	19	Extractor Axis Screw
5	Firing Pin	20	Lever and Tumbler Axis Pin
6	Firing Pin Spring		Indicator
7	Stop Nut Keeper Screw	Parts Not Shown	
8	Stock Bolt		Barrel
9	Lever and Tumbler Axis Pin		Buttstock
10	Lever and Tumbler Axis Pin		Buttplate
11	Lever		Buttplate Screws
12	Tumbler		Forend
13	Guard		Front Sight
14	Trigger Spring		Rear Sight
15	Trigger Spring Screw		

Grade MT6 Model MS80 and DB81E Over/Under Shotgun



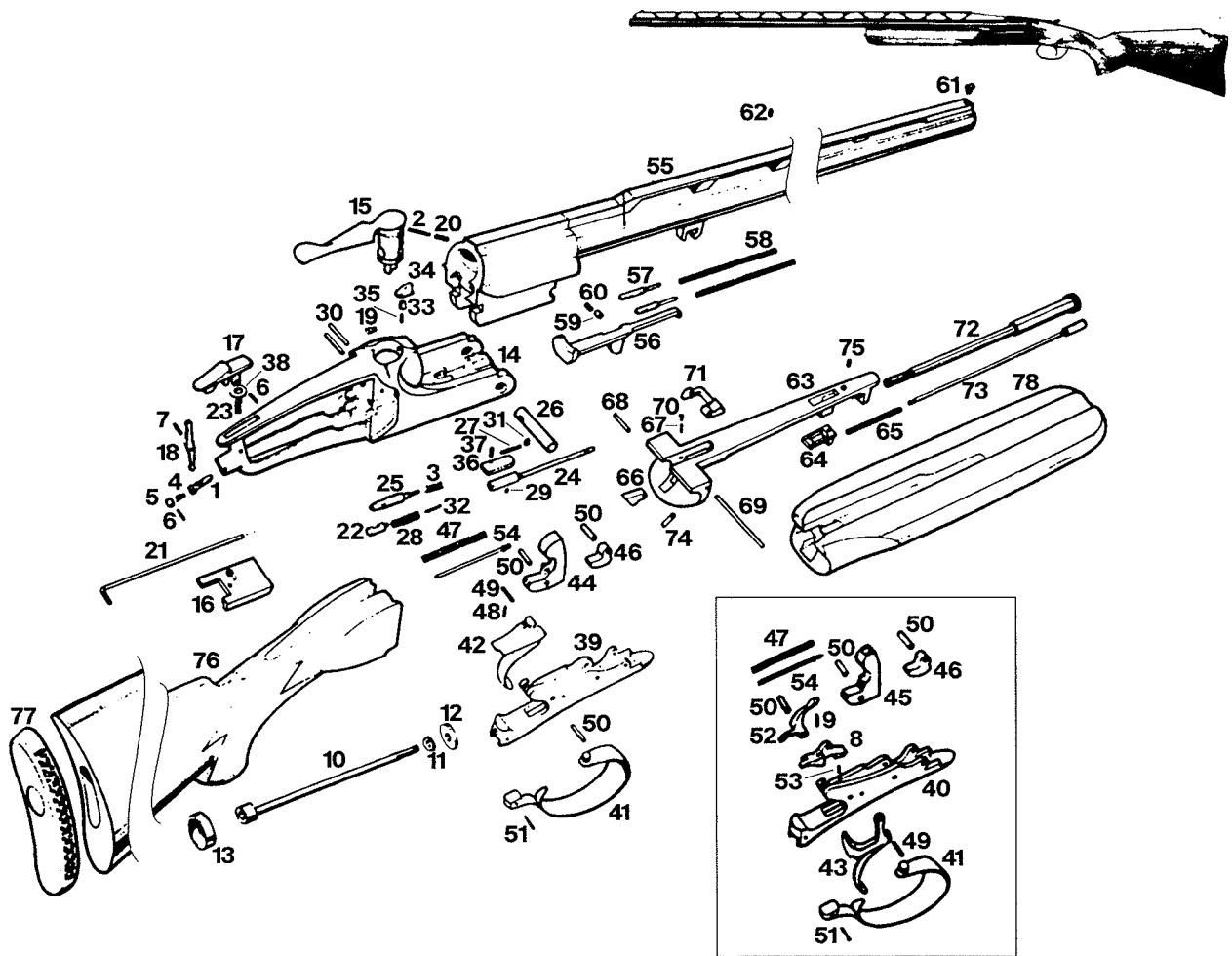
1	Top Lever	31	Ejector Sear Pins	59	Safety Retaining Pin
2	Top Lever Locking Piece	32	Ejector Trips	60	Lock Bolt Nut Retainer Screw
3	Cocking Bar	33	Left Ejector Sear	61	Left Ejector Trip Rod
4	Top Firing Pin	34	Iron Forend	62	Trigger Plate
5	Bottom Firing Pin	35	Catch Bolt	63	Trigger Guard
6	Pivot	36	Cocking Bar Cam Lock Screw	64	Trigger
7	Cocking Bar Spring	37	Catch Bolt Spring	65	Sear Tip
8	Firing Pin Return Springs	38	Latch Plate	66	Connector Block
9	Top Lever Return Spring	39	Latch Plate Lever	67	Right Hammer
10	Cocking Bar Screw Check	40	Latch Plate Lever Spring Lock Screw	68	Left Hammer
11	Firing Pin Lock Cam Trip	41	Latch Plate Pin	69	Hammer Spring
12	Plunger Trip	42	Latch Plate Lever Return Spring	70	Trigger Spring
13	Top Lever Spring	43	Latch Plate Lever Lock Pin	71	Connector Block Plunger
14	Top Lever Release Trip	44	Stock Bolt	72	Connector Block Pivot Pin
15	Top Lever Lock Trip	45	Lock Washer	73	Sear Trip Pivot Pin
16	Right Sear	46	Plain Washer	74	Pivot Sear Pin
17	Left Sear	47	Retainer Guide	75	Safety Pin
18	Cocking Feet	48	Recoil Pad	76	Cocking Foot Pin
19	Connector Spring	49	Forend	77	Trigger Guard Pin
20	Sear Springs	50	Forend Lock Screw	78	Link Retainer Pin
21	Right Ejector	51	Forend Lock Bolts	79	Hammer Pin
22	Left Ejector	52	Hammer Spring Plungers	80	Pivot Sear Trip
23	Ejector Spring Plungers	53	Action Frame	81	Link Sear Trip
24	Ejector Springs	54	Stock Bolt Lock	82	Spring File
25	Ejector Lock	55	Action Bolt	83	Barrels
26	Front Sight	56	Safety	84	Chokes
27	Cocking Bar Cam	57	Right Ejector Trip Rod	85	Stock
28	Right Ejector Sear	58	Safety Spring	86	Safety Button Locking Piece
29	Ejector Sear Springs			87	Selective Lever Locking Pin
30	Ejector Sear Plungers				

Mirage MX8 and DB81 and Grand America SC3 and SCO Over/Under Shotgun



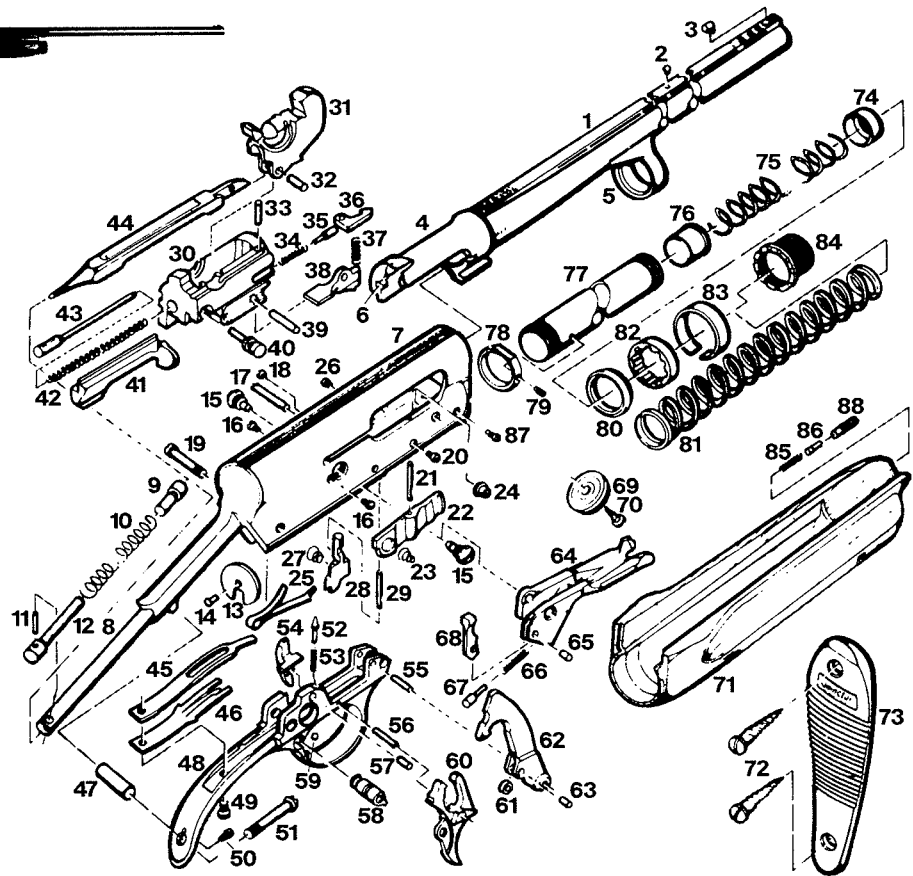
1	Action Frame	31	Trigger Plate (Double)	61	Ejector Spring Plungers
2	Top Lever	32	Trigger Guard	62	Ejector Springs
3	Action Bolt	33	Trigger Guard (Double)	63	Ejector Lock
4	Safety	34	Trigger	64	Front Sight
5	Link Trigger Release	35	Left Trigger	65	Cocking Bar Cam
6	Lock Trigger Plate	36	Right Trigger	66	Right Ejector Sear
7	Right Ejector Trip Rod	37	Release	67	Ejector Sear Springs
8	Left Ejector Trip Rod	38	Connector	68	Ejector Sear Plungers
9	Locking Piece Top Lever	39	Right Sear	69	Sear Pins
10	Cocking Bar	40	Left Sear	70	Ejector Trip
11	Top Firing Pin	41	Right Hammer	71	Left Ejector Trip
12	Bottom Firing Pin	42	Left Hammer	72	Iron Forend
13	Pivot	43	Bridle	73	Catch Bolt
14	Safety Spring	44	Cocking Foot	74	Cocking Bar Cam Lock Screw
15	Cocking Bar Spring	45	Right Hammer Spring	75	Catch Bolt Spring
16	Firing Pin Return Springs	46	Left Hammer Spring	76	Latch Plate
17	Trigger Plate Lock Spring	47	Connector Spring	77	Latch Plate Lever
18	Top Lever Return Spring	48	Trigger Spring	78	Latch Plate Lever Spring Lock Screw
19	Trigger Plate Lock Cap	49	Sear Spring	79	Latch Plate Pin
20	Cocking Bar Screw Check	50	Connector Plunger	80	Return Spring Latch Plate Lever
21	Safety Spring Screw	51	Connector Pin	81	Latch Plate Lever Lock Pin
22	Trigger Plate Lock Pin	52	Connector Post Pin	82	Stock
23	Forend Lock Bolts	53	Sear Pin	83	Stock Bolt
24	Safety Button Pins	54	Bridle Pin	84	Lock Washer
25	Firing Pin Lock Pin Trip Cam	55	Sear Retainer Pins	85	Plain Washer
26	Plunger Trip	56	Trigger Guard Pin	86	Retainer Guide
27	Top Lever Release Trip	57	Sear Retainer Sleeve	87	Recoil Pad
28	Top Lever Lock Trip	58	Barrels	88	Forend
29	Top Lever Release Spring	59	Right (Bottom) Ejector	89	Forend Lock Screw
30	Trigger Plate	60	Left (Top) Ejector		

Model TM1 and TMX Single Shot Shotgun



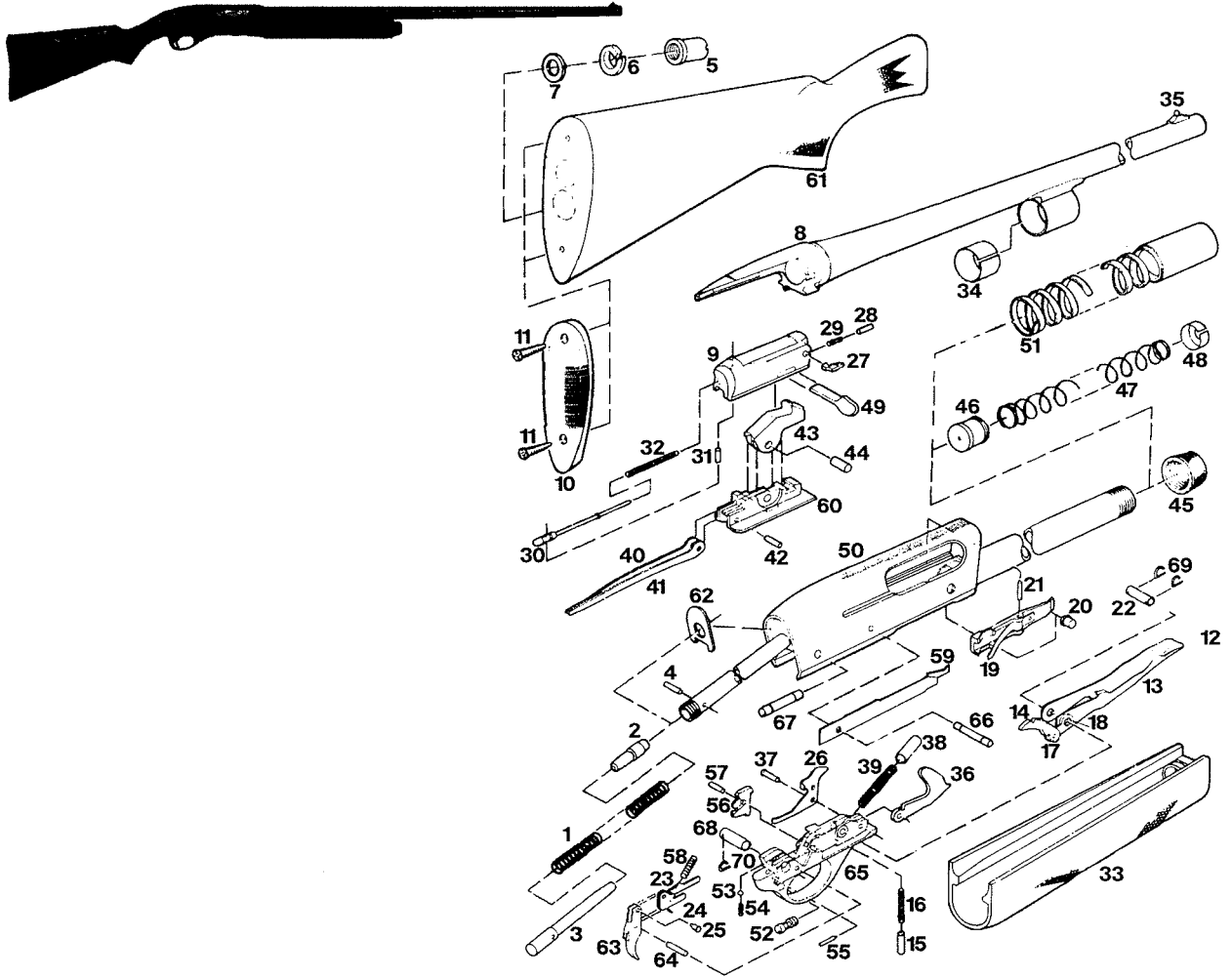
1	Trigger Plate Lock	27	Cocking Bar Spring	53	Release Sear Retaining Spring
2	Top Lever Pin Spring	28	Top Lever Return Spring	54	Hammer Spring Guide
3	Firing Pin Return Spring	29	Cocking Bar Screw Check	55	Barrels
4	Trigger Plate Lock Spring	30	Firing Lock Cam Pin Trips	56	Ejector
5	Trigger Plate Lock Cap	31	Plunger Trip	57	Ejector Spring Plungers
6	Trigger Plate Lock Pin	32	Top Lever Spring	58	Ejector Springs
7	Link Pin	33	Spring Guide	59	Ejector Lock
8	Left Sear	34	Top Lever Release Trip	60	Ejector Retaining Spring
9	Sear Spring	35	Top Lever Lock Trip	61	Front Sight
10	Stock Bolt	36	Cocking Bar Piece	62	Middle Sight
11	Lock Washer	37	Pin	63	Iron Forend
12	Plain Washer	38	Washer	64	Forend Latch
13	Retainer Guide	39	Trigger Plate	65	Forend Plate Guide Spring
14	Action Frame	40	Trigger Plate Release	66	Cocking Bar Cam
15	Top Lever	41	Trigger Guard	67	Ejector Sear Spring
16	Action Bolt	42	Trigger	68	Cocking Rod Boss Screw
17	Safety Button	43	Trigger Release	69	Ejector Lock Pin
18	Link Trigger Release	44	Hammer	70	Ejector Sear Plunger
19	Frame Top Lever Pin	45	Hammer Release	71	Ejector Sear
20	Top Lever Pin	46	Cocking Foot	72	Forend Operating Button Guide
21	Ejector Trip Rod	47	Hammer Spring	73	Forend Opening Button
22	Top Lever Locking Piece	48	Trigger Spring	74	Pin
23	Safety Spring	49	Trigger Pin	75	Iron Forend Tension Bushing
24	Cocking Bar	50	Cocking Foot Pins	76	Stock
25	Firing Pin	51	Trigger Guard Pin	77	Recoil Pad
26	Pivot	52	Sear Release	78	Forend

Model 11 Autoloading Shotgun



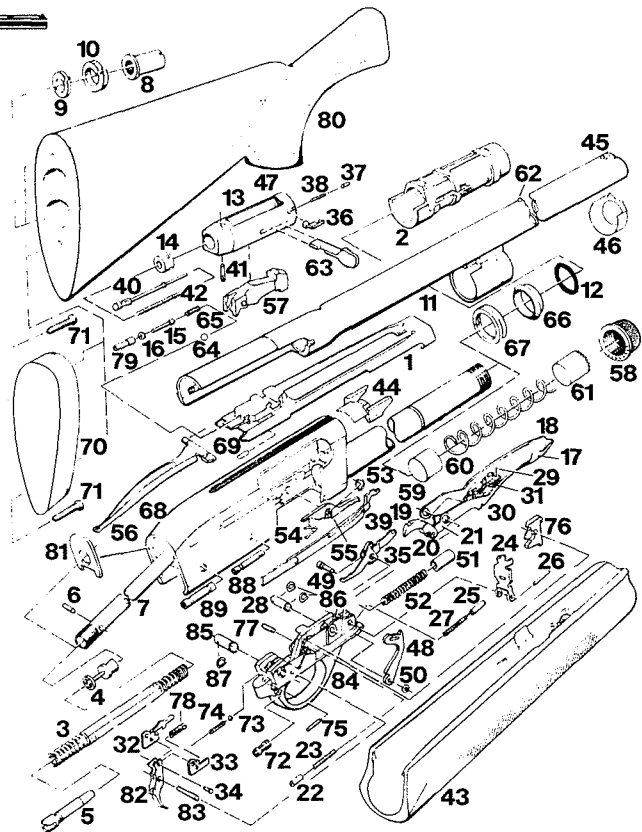
1	Barrel	31	Locking Bolt	61	Hammer Roll
2	Bead Sight	32	Link Pin	62	Hammer
3	Front Sight Base	33	Extractor Pin	63	Hammer Roll Pin
4	Barrel Extension	34	Extractor Spring	64	Carrier
5	Barrel Guide	35	Extractor Plunger	65	Carrier Dog Pin
6	Ejector	36	Extractor	66	Carrier Dog Spring
7	Receiver	37	Locking Block Latch Spring	67	Carrier Dog Spring Follower
8	Action Spring Tube	38	Locking Block Latch	68	Carrier Dog
9	Action Spring Follower	39	Locking Block Latch Pin	69	Pistol Grip Cap
10	Action Spring	40	Firing Pin Retaining Pin	70	Pistol Grip Cap Screw
11	Action Spring Plug Pin	41	Operating Handle	71	Forend
12	Action Spring Plug	42	Firing Pin Retractor Spring	72	Buttplate Screws
13	Fiber Cushion	43	Firing Pin	73	Buttplate
14	Fiber Cushion Rivet	44	Link	74	Magazine Spring Retainer
15	Carrier Screws	45	Mainspring	75	Magazine Spring
16	Carrier Screw Locking Screws	46	Trigger Spring	76	Magazine Follower
17	Trigger Plate Pin	47	Tang Screw Bushing	77	Magazine Tube
18	Trigger Plate Pin Locking Screw	48	Trigger Plate	78	Forend Guide Ring
19	Trigger Plate Screw	49	Mainspring Screw	79	Forend Guide Ring Screw
20	Carrier Latch Pin Locking Screw	50	Tang Screw Locking Screw	80	Friction Ring
21	Carrier Latch Pin	51	Tang Screw	81	Recoil Spring
22	Carrier Latch	52	Safety Sear Spring Follower	82	Friction Piece
23	Carrier Latch Spring	53	Safety Sear Spring	83	Friction Spring
24	Carrier Latch Button	54	Safety Sear	84	Magazine Cap
25	Carrier Spring	55	Hammer Pin	85	Magazine Cap Stop Plunger Spring
26	Cartridge Stop Pin Lock Screw	56	Trigger Pin	86	Magazine Cap Stop Plunger
27	Cartridge Stop Spring	57	Safety Sear Pin	87	Magazine Stop Screw
28	Cartridge Stop	58	Safety	88	Magazine Cap Stop Plunger Tube
29	Cartridge Stop Pin	59	Safety Ball		
30	Bolt	60	Trigger		

Model 11-48 Autoloading Shotgun



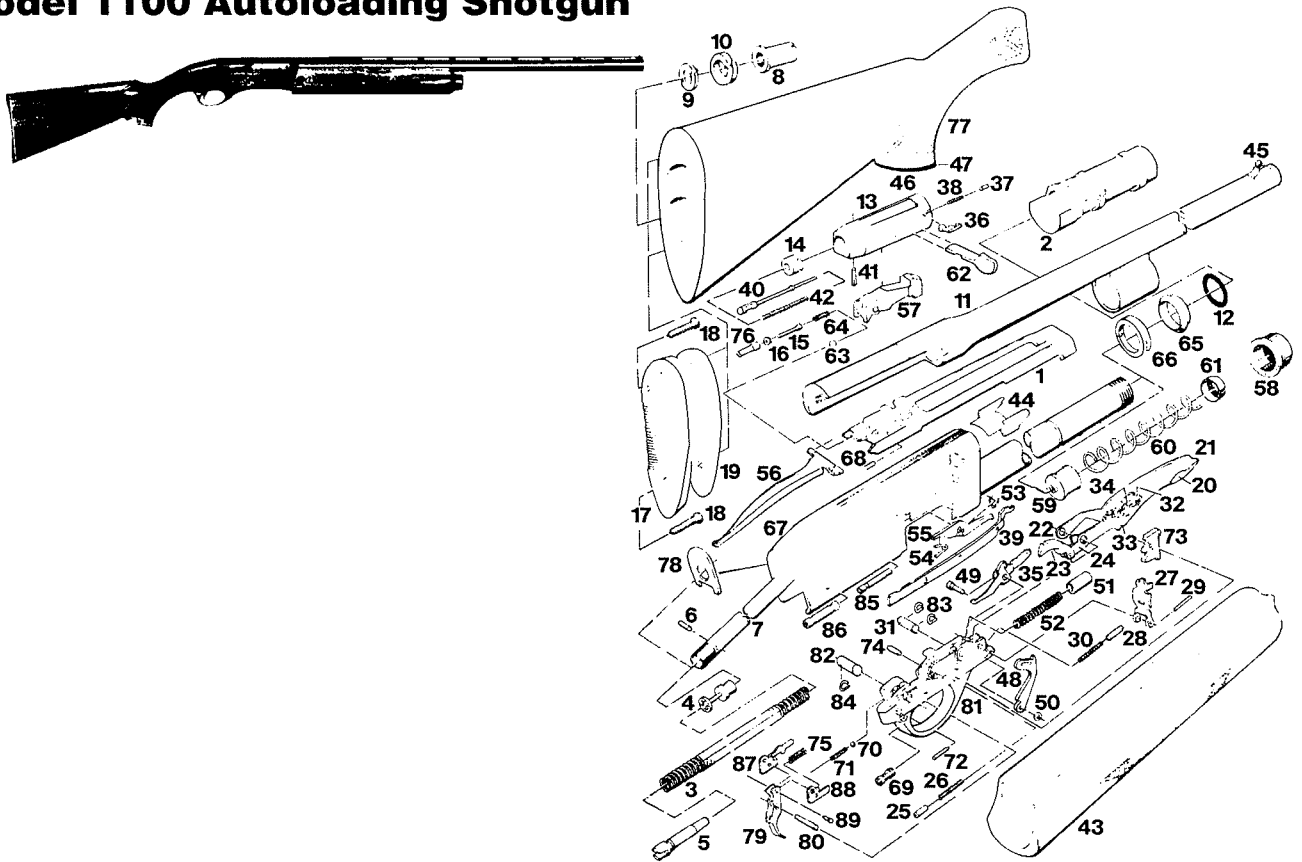
- | | | | | | |
|----|------------------------------------|----|-----------------------------|----|---|
| 1 | Action Spring | 25 | Connector Pin | 50 | Receiver |
| 2 | Action Spring Follower | 26 | Disconnecter | 51 | Recoil Spring and Ring Assembly |
| 3 | Action Spring Plug | 27 | Extractor | 52 | Safety |
| 4 | Action Spring Plug Pin | 28 | Extractor Plunger | 53 | Safety Detent Ball |
| 5 | Action Spring Tube Nut | 29 | Extractor Spring | 54 | Safety Spring |
| 6 | Action Spring Tube Nut Lock Washer | 30 | Firing Pin | 55 | Safety Spring Retaining Pin |
| 7 | Action Spring Tube Nut Washer | 31 | Firing Pin Retaining Pin | 56 | Sear |
| 8 | Barrel Assembly | 32 | Firing Pin Retractor Spring | 57 | Sear Pin |
| 9 | Breechbolt | 33 | Forend | 58 | Sear Spring |
| 10 | Buttplate | 34 | Friction Piece | 59 | Shell Latch |
| 11 | Buttplate Screws | 35 | Front Sight | 60 | Slide |
| 12 | Carrier Assembly | 36 | Hammer | 61 | Stock |
| 13 | Carrier | 37 | Hammer Pin | 62 | Stock Bearing Plate |
| 14 | Carrier Dog | 38 | Hammer Plunger | 63 | Trigger |
| 15 | Carrier Dog Follower | 39 | Hammer Spring | 64 | Trigger Pin |
| 16 | Carrier Dog Follower Spring | 40 | Link, Left | 65 | Trigger Plate, Right |
| 17 | Carrier Dog Pin | 41 | Link, Right | 66 | Trigger Plate Pin, Front |
| 18 | Carrier Dog Washer | 42 | Link Pin | 67 | Trigger Plate Pin, Rear |
| 19 | Carrier Latch Assembly | 43 | Locking Block | 68 | Trigger Plate Pin Bushing |
| 20 | Carrier Latch Button | 44 | Locking Block Pin | 69 | Trigger Plate Pin Detent Springs, Front |
| 21 | Carrier Latch Pin | 45 | Magazine Cap | 70 | Trigger Plate Pin Detent Spring, Rear |
| 22 | Carrier Pivot Tube | 46 | Magazine Follower | | |
| 23 | Connector, Left | 47 | Magazine Spring | | |
| 24 | Connector, Right | 48 | Magazine Spring Retainer | | |
| | | 49 | Operating Handle | | |

Model 11-87 Autoloading Shotgun



1 Action Bar Assembly	30 Carrier Release Pin	61 Magazine Spring Retainer
2 Action Bar Sleeve	31 Carrier Release Spring	62 Middle Sight
3 Action Spring	32 Connector, Left	63 Operating Handle
4 Action Spring Follower	33 Connector, Right	64 Operating Handle Detent Ball
5 Action Spring Plug	34 Connector Pin	65 Operating Handle Detent Spring
6 Action Spring Plug Pin	35 Disconnecter	66 Piston
7 Action Spring Tube	36 Extractor	67 Piston Seal
8 Action Spring Tube Nut	37 Extractor Plunger	68 Receiver Assembly
9 Action Spring Tube Nut Washer	38 Extractor Spring	69 Return Plunger Retaining Pin
10 Action Spring Tube Nut Lock Washer	39 Feed Latch	70 Recoil Pad
11 Barrel Assembly	40 Firing Pin	71 Recoil Pad Screws
12 Barrel Seal	41 Firing Pin Retaining Pin	72 Safety Switch
13 Breechbolt	42 Firing Pin Retractor Spring	73 Safety Switch Detent Ball
14 Breechbolt Buffer	43 Forend Assembly	74 Safety Switch Spring
15 Breechbolt Return Plunger	44 Forend Support	75 Safety Switch Spring Retaining Pin
16 Breechbolt Return Plunger Retaining Ring	45 Front Sight	76 Sear
17 Carrier	46 Gas Cylinder Collar	77 Sear Pin
18 Carrier Assembly	47 Grip Cap	78 Sear Spring
19 Carrier Dog	48 Hammer	79 Slide Block Buffer
20 Carrier Dog Pin	49 Hammer Pin	80 Stock Assembly
21 Carrier Dog Washer	50 Hammer Pin Washer	81 Stock Bearing Plate
22 Carrier Dog Follower	51 Hammer Plunger	82 Trigger
23 Carrier Dog Follower Spring	52 Hammer Spring	83 Trigger Pin
24 Carrier Latch	53 Interceptor Latch Retainer	84 Trigger Plate Safety
25 Carrier Latch Follower	54 Interceptor Latch Spring	85 Trigger Plate Pin
26 Carrier Latch Pin	55 Interceptor Latch	86 Trigger Plate Pin Detent Springs, Front
27 Carrier Latch Spring	56 Link	87 Trigger Plate Pin Detent Spring, Rear
28 Carrier Pivot Tube	57 Locking Block Assembly	88 Trigger Plate Pin, Front
29 Carrier Release	58 Magazine Cap	89 Trigger Plate Pin, Rear
	59 Magazine Follower	
	60 Magazine Spring	

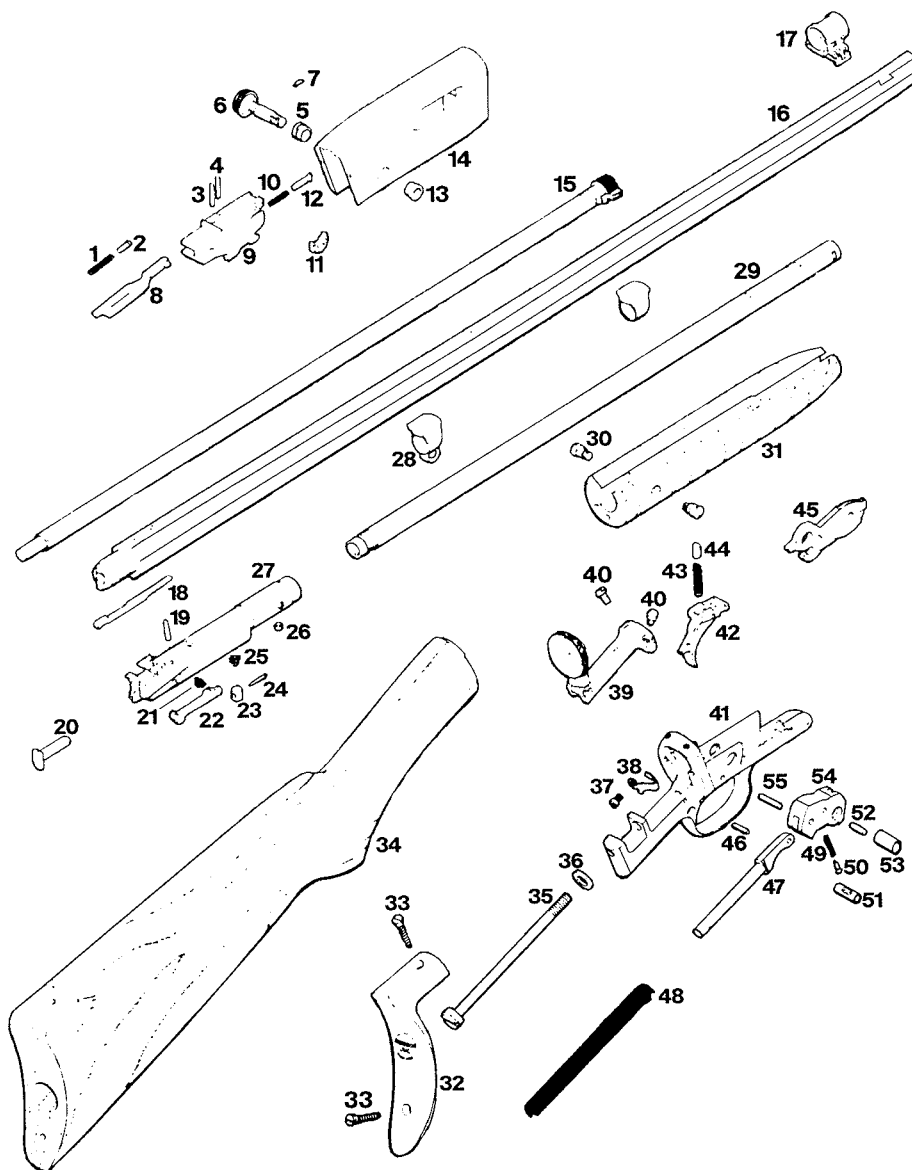
Model 1100 Autoloading Shotgun



1	Action Bar Assembly	30	Carrier Latch Spring	61	Magazine Spring Retainer
2	Action Bar Sleeve	31	Carrier Pivot Tube	62	Operating Handle
3	Action Spring	32	Carrier Release	63	Operating Handle Detent Ball
4	Action Spring Follower	33	Carrier Release Pin	64	Operating Handle Detent Spring
5	Action Spring Plug	34	Carrier Release Spring	65	Piston
6	Action Spring Plug Pin	35	Disconnecter	66	Piston Seal
7	Action Spring Tube	36	Extractor	67	Receiver Assembly
8	Action Spring Tube Nut	37	Extractor Plunger	68	Return Plunger Retaining Pin
9	Action Spring Tube Nut Washer	38	Extractor Spring	69	Safety Switch
10	Action Spring Tube Nut Lock Washer	39	Feed Latch	70	Safety Switch Detent Ball
11	Barrel Assembly	40	Firing Pin	71	Safety Switch Spring
12	Barrel Seal	41	Firing Pin Retaining Pin	72	Safety Switch Spring Retaining Pin
13	Breechbolt	42	Firing Pin Retractor Spring	73	Sear
14	Breechbolt Buffer	43	Forend Assembly	74	Sear Pin
15	Breechbolt Return Plunger	44	Forend Support	75	Sear Spring
16	Breechbolt Return Plunger Retaining Ring	45	Front Sight	76	Slide Block Buffer
17	Buttplate	46	Grip Cap	77	Stock Assembly
18	Buttplate Screws	47	Grip Cap Spacer	78	Stock Bearing Plate
19	Buttplate Spacer	48	Hammer	79	Trigger Assembly
20	Carrier	49	Hammer Pin	80	Trigger Pin
21	Carrier Assembly	50	Hammer Pin Washer	81	Trigger Plate Safety
22	Carrier Dog	51	Hammer Plunger	82	Trigger Plate Pin Bushing
23	Carrier Dog Pin	52	Hammer Spring	83	Trigger Plate Pin Detent Spring, Front
24	Carrier Dog Washer	53	Interceptor Latch Retainer	84	Trigger Plate Pin Detent Spring, Rear
25	Carrier Dog Follower	54	Interceptor Latch Spring	85	Trigger Plate Pin, Front
26	Carrier Dog Follower Spring	55	Interceptor Latch	86	Trigger Plate Pin, Rear
27	Carrier Latch	56	Link	87	Connector, Left
28	Carrier Latch Follower	57	Locking Block Assembly	88	Connector, Right
29	Carrier Latch Pin	58	Magazine Cap	89	Connector Pin
		59	Magazine Follower		
		60	Magazine Spring		

Model 12 Slide-Action Rifle

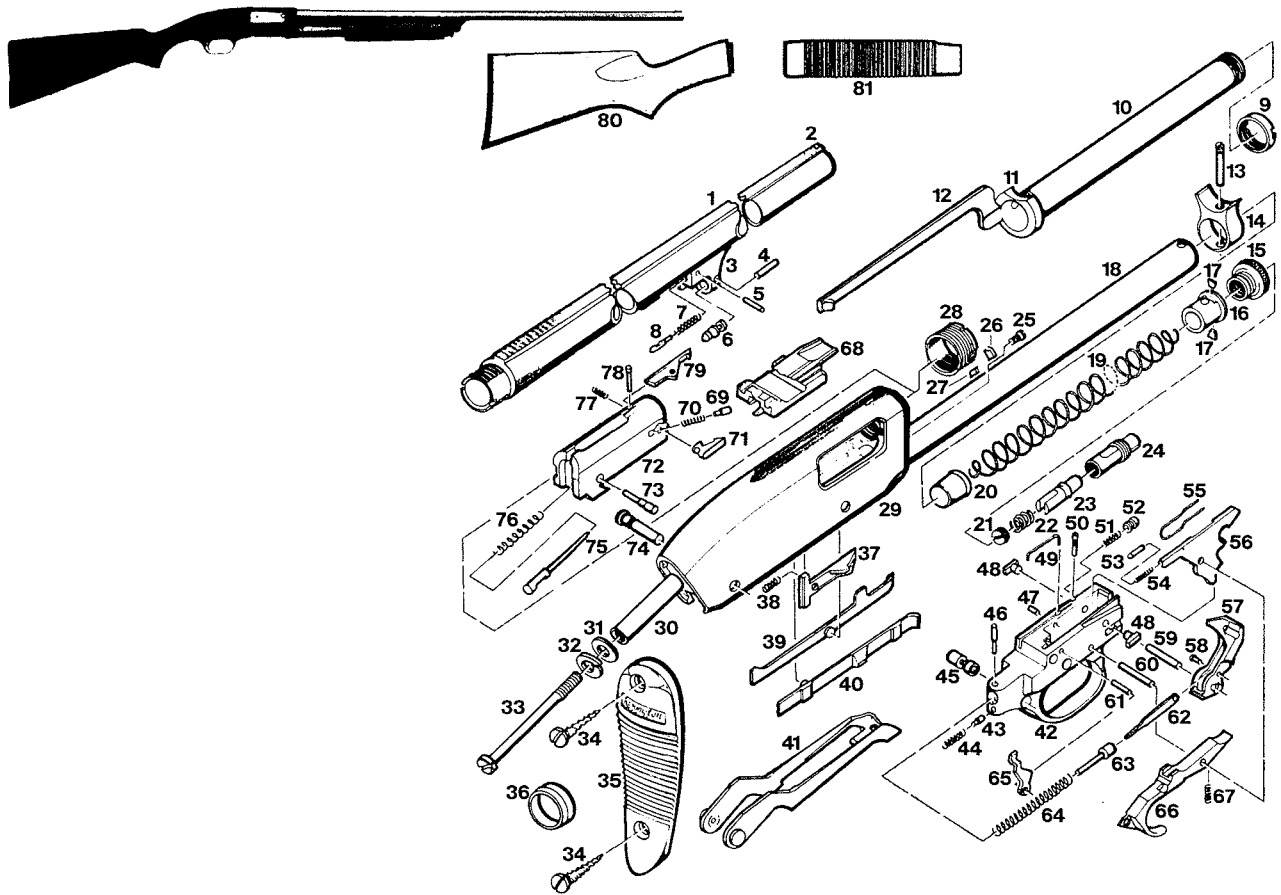
Courtesy of Dennis Riordan



1	Firing Pin Spring	20	Cartridge Stop	39	Rear Sight
2	Firing Pin Spring Guide	21	Carrier Dog Spring	40	Rear Sight Screws
3	Firing Pin Pin	22	Carrier Dog	41	Guard
4	Ejector Pin	23	Action Bar Plunger	42	Trigger
5	Receiver Bushing	24	Action Bar Plunger Pin	43	Trigger Spring
6	Takedown Screw	25	Action Bar Spring	44	Trigger Spring Case
7	Takedown Screw Retainer	26	Magazine Screw	45	Carrier
8	Firing Pin	27	Action Bar	46	Safety Plunger Pin
9	Breechblock	28	Magazine Rings	47	Mainspring Rod
10	Extractor Spring	29	Magazine Tube, Outer	48	Mainspring
11	Extractor	30	Forend Screws	49	Safety Spring
12	Extractor Plunger	31	Forend	50	Safety Plunger
13	Receiver Bushing, Threaded	32	Buttplate	51	Safety
14	Receiver	33	Buttplate Screws	52	Hammer Pin
15	Magazine Tube, Inner	34	Stock	53	Hammer Bushing
16	Barrel	35	Stock Bolt	54	Hammer
17	Front Sight	36	Stock Bolt Washer	55	Trigger Pin
18	Cartridge Retainer	37	Ejector Spring Screw		
19	Carrier Dog Pin	38	Ejector Spring		

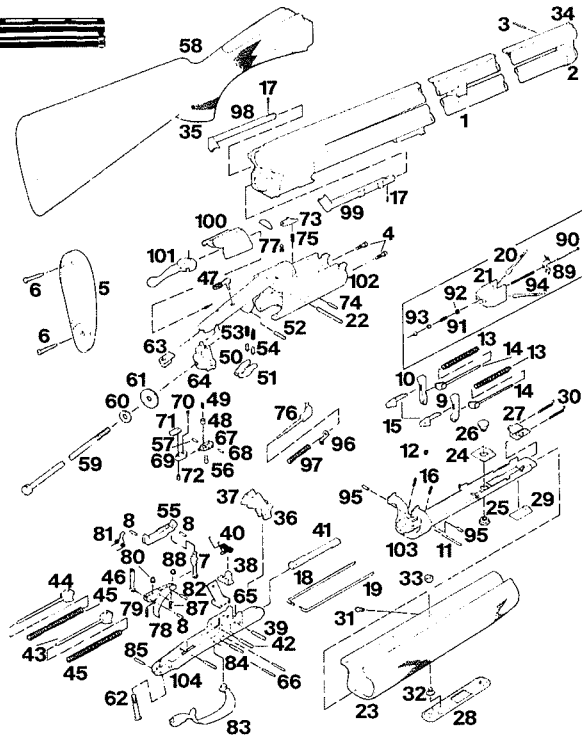
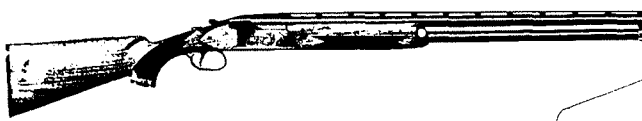
Model 31 Slide-Action Shotgun

Courtesy of Thomas E. Wessel



1	Barrel	26	Barrel Adjusting Bushing Lock	53	Trigger Lock Plunger
2	Front Sight	27	Magazine Lock	54	Trigger Lock Spring
3	Barrel Lug	28	Barrel Adjusting Bushing	55	Action Bar Lock Spring
4	Barrel Lug Stud Pin	29	Receiver	56	Action Bar Lock
5	Barrel Lock Nut Stop Plunger Pin	30	Stock Bolt Stud	57	Hammer
6	Barrel Lug Stud	31	Stock Bolt Washer	58	Hammer Link Pin
7	Barrel Lock Nut Stop Plunge Spring	32	Stock Bolt Lock Washer	59	Hammer Pin
8	Barrel Lock Nut Stop Plunger	33	Stock Bolt	60	Trigger Pin
9	Forend Tube Nut	34	Buttplate Screws	61	Trigger Lock Pin
10	Forend Tube	35	Buttplate	62	Hammer Link
11	Forend Tube Cap	36	Stock Reinforcement Ring	63	Mainspring Follower
12	Action Bar	37	Ejector	64	Mainspring
13	Magazine Guide Screw	38	Ejector Spring	65	Trigger Lock
14	Magazine Guide	39	Right Cartridge Stop	66	Trigger
15	Barrel Lock Nut	40	Left Cartridge Stop	67	Trigger Spring
16	Magazine Plug	41	Carrier	68	Slide
17	Barrel Lock Nut Keys	42	Trigger Plate	69	Extractor Plunger
18	Magazine Tube	43	Safety Plunger	70	Right Extractor Spring
19	Magazine Spring	44	Safety Spring	71	Right Extractor
20	Magazine Follower	45	Safety	72	Breechblock
21	Barrel Lock Compensator Screw	46	Mainspring Pin	73	Firing Pin Retaining Pin
22	Barrel Lock Spring	47	Trigger Plate Pin Spring Pin	74	Trigger Plate Pin
23	Barrel Lock Compensator	48	Trigger Plate Studs	75	Firing Pin
24	Barrel Lock	49	Trigger Plate Pin Spring	76	Firing Pin Spring
25	Barrel Adjusting Bushing Lock Screw	50	Left Cartridge Stop Plunger Screw	77	Left Extractor Spring
		51	Left Cartridge Stop Spring	78	Extractor Pin
		52	Left Cartridge Stop Plunger	79	Left Extractor
				80	Stock
				81	Forend

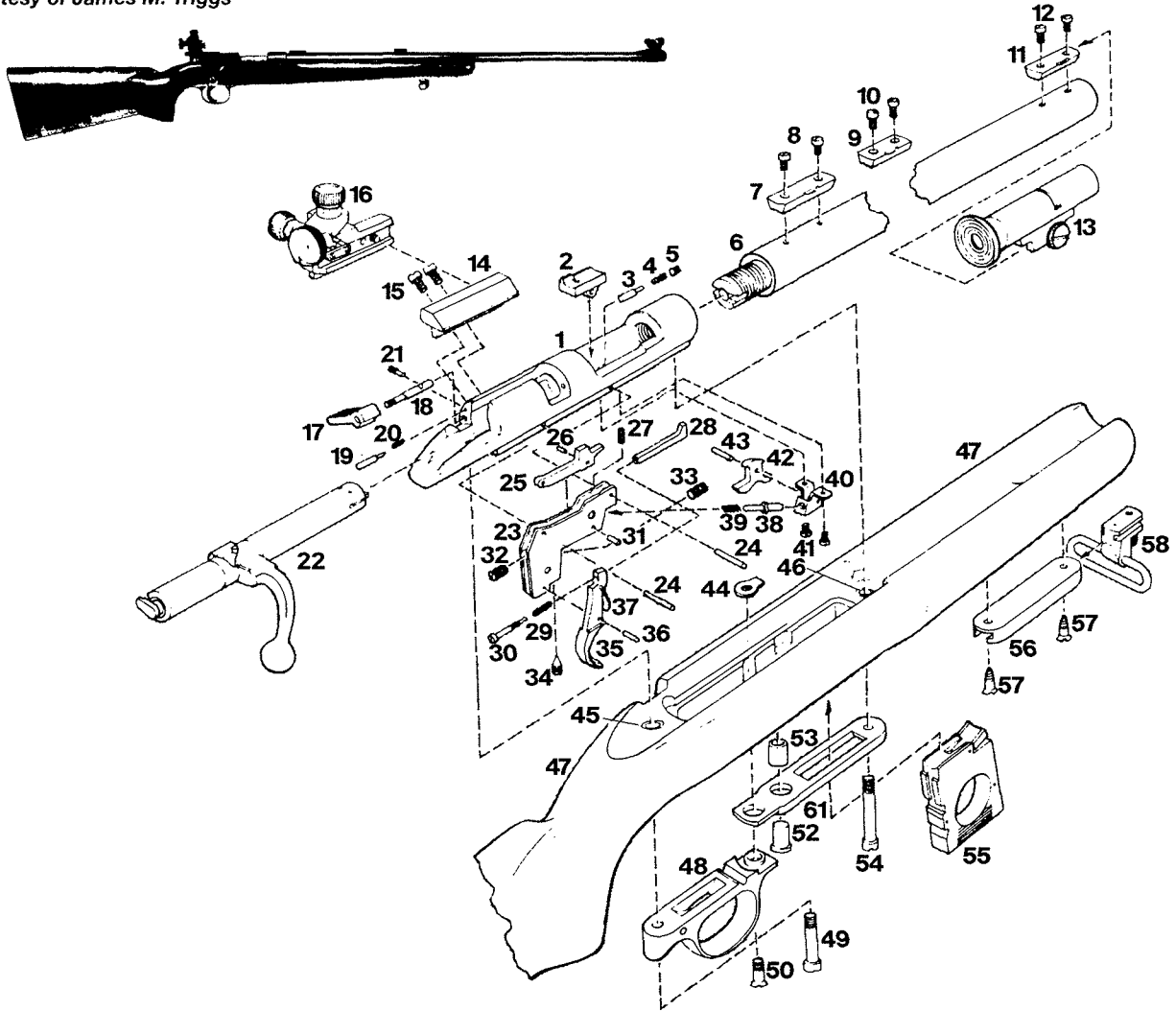
Model 3200 Over/Under Shotgun



1	Barrel	36	Hammer Assembly, Right	71	Toggle Slide Block
2	Barrel Band	37	Hammer Assembly, Left	72	Toggle Slide Block Stud
3	Barrel Band Lock Pin	38	Hammer Cocking Cam	73	Top Lock Latch
4	Bottom Tang Screws	39	Hammer Cocking Cam Pin	74	Top Lock Latch Pin
5	Buttplate	40	Hammer Cocking Cam Spring	75	Top Lock Latch Spring
6	Buttplate Screws	41	Hammer Cocking Rod	76	Top Lock Lever Plunger Assembly
7	Connector	42	Hammer Pin	77	Top Lock Lever Screw
8	Connector Pin	43	Hammer Plunger Assembly, Right	78	Trigger
9	Ejector Hammer, Right	44	Hammer Plunger Assembly, Left	79	Trigger Adjusting Screw
10	Ejector Hammer, Left	45	Main Hammer Spring	80	Trigger Adjusting Screw Nut
11	Ejector Hammer Pin	46	Rear Connector Link	81	Trigger Connector Spring
12	Ejector Hammer Pivot Ring	47	Safety Selector Assembly	82	Trigger Connector Spring Pin
13	Ejector Hammer Springs	48	Safety Selector Detent	83	Trigger Guard
14	Ejector Plungers	49	Safety Selector Detent Spring	84	Trigger Guard Pin, Front
15	Ejector Sear	50	Sear, Left	85	Trigger Guard Pin, Rear
16	Ejector Sear Springs	51	Sear, Right	86	Trigger Pin
17	Ejector Stop Pins	52	Sear Pin	87	Trigger Stop Screw
18	Ejector Trip Rod, Left	53	Sear Spring	88	Trigger Stop Screw Nut
19	Ejector Trip Rod, Right	54	Sear Spring Plunger	89	Yoke
20	Firing Pin	55	Selector Block	90	Yoke Rod
21	Firing Pin Housing	56	Selector Block Guide	91	Yoke Rod Buffer Spring
22	Firing Pin Housing Assembly Pin	57	Selector Block Guide Pin	92	Yoke Rod Buffer Spring Washer
23	Forend	58	Stock Assembly	93	Yoke Rod Nut
24	Forend Adjuster Plate	59	Stock Bolt	94	Yoke Rod Spring
25	Forend Adjuster Plate Lock Nut	60	Stock Bolt Lock Washer	95	Ejector Sear Pins
26	Forend Adjuster Plate Stud	61	Stock Bolt Washer	96	Firing Pin Retractor
27	Forend Latch	62	Tang Block Screw	97	Top Lock Lever Spring
28	Forend Latch Cover	63	Tang Block Slot Nut	98	Ejector, Left
29	Forend Latch Finger Piece	64	Tang Connecting Block	99	Ejector, Right
30	Forend Latch Springs	65	Tang Strut	100	Top Lock
31	Forend Screw, Front	66	Tang Strut Pin	101	Top Lock Lever
32	Forend Screw, Rear	67	Toggle Block	102	Frame
33	Forend Screw Nut	68	Toggle Block Retaining Pin	103	Forend Iron Assembly
34	Front Sight	69	Toggle Link	104	Bottom Tang
35	Grip Cap	70	Toggle Link Screw		

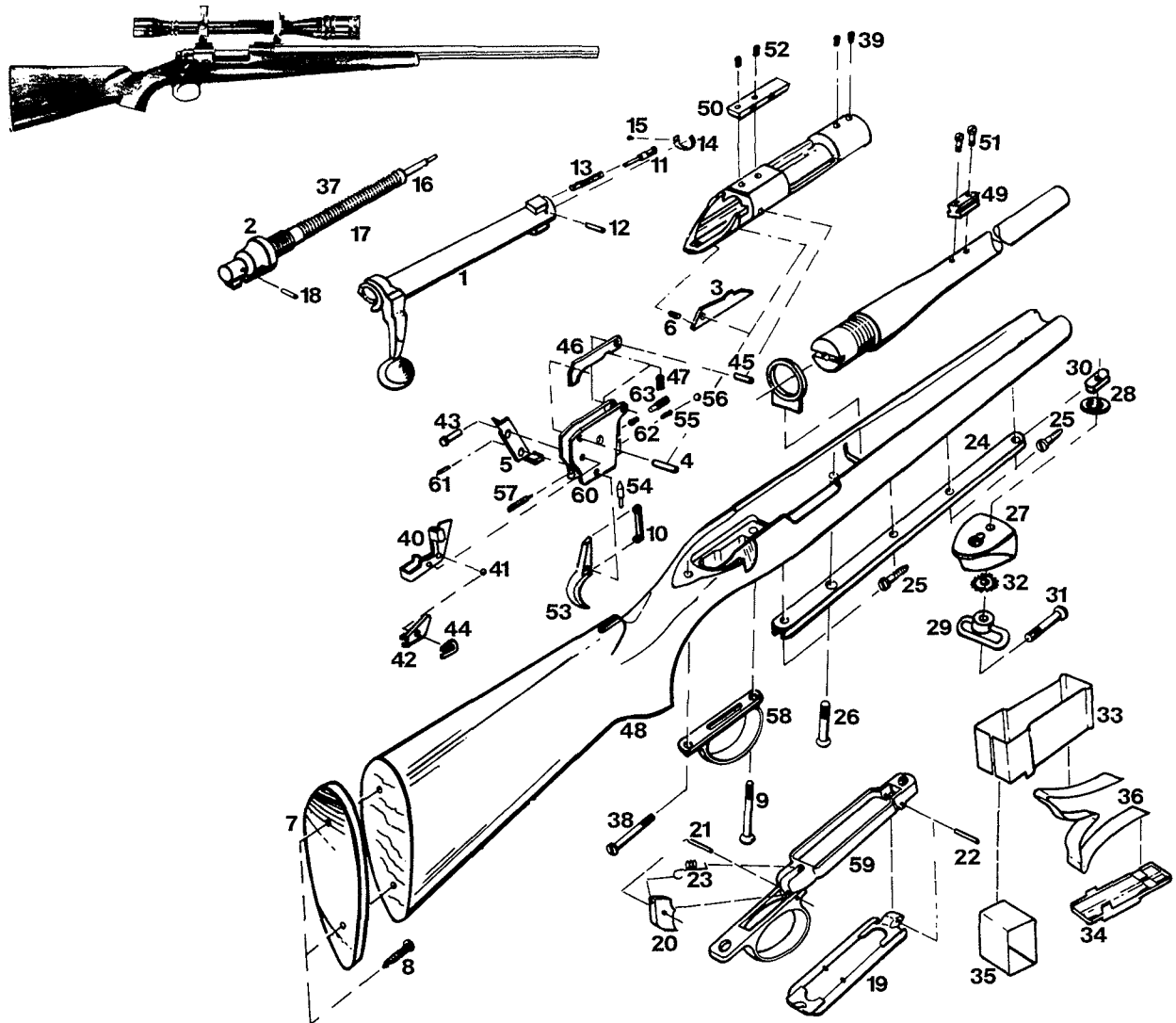
Model 37 Rangemaster Bolt-Action Rifle

Courtesy of James M. Triggs



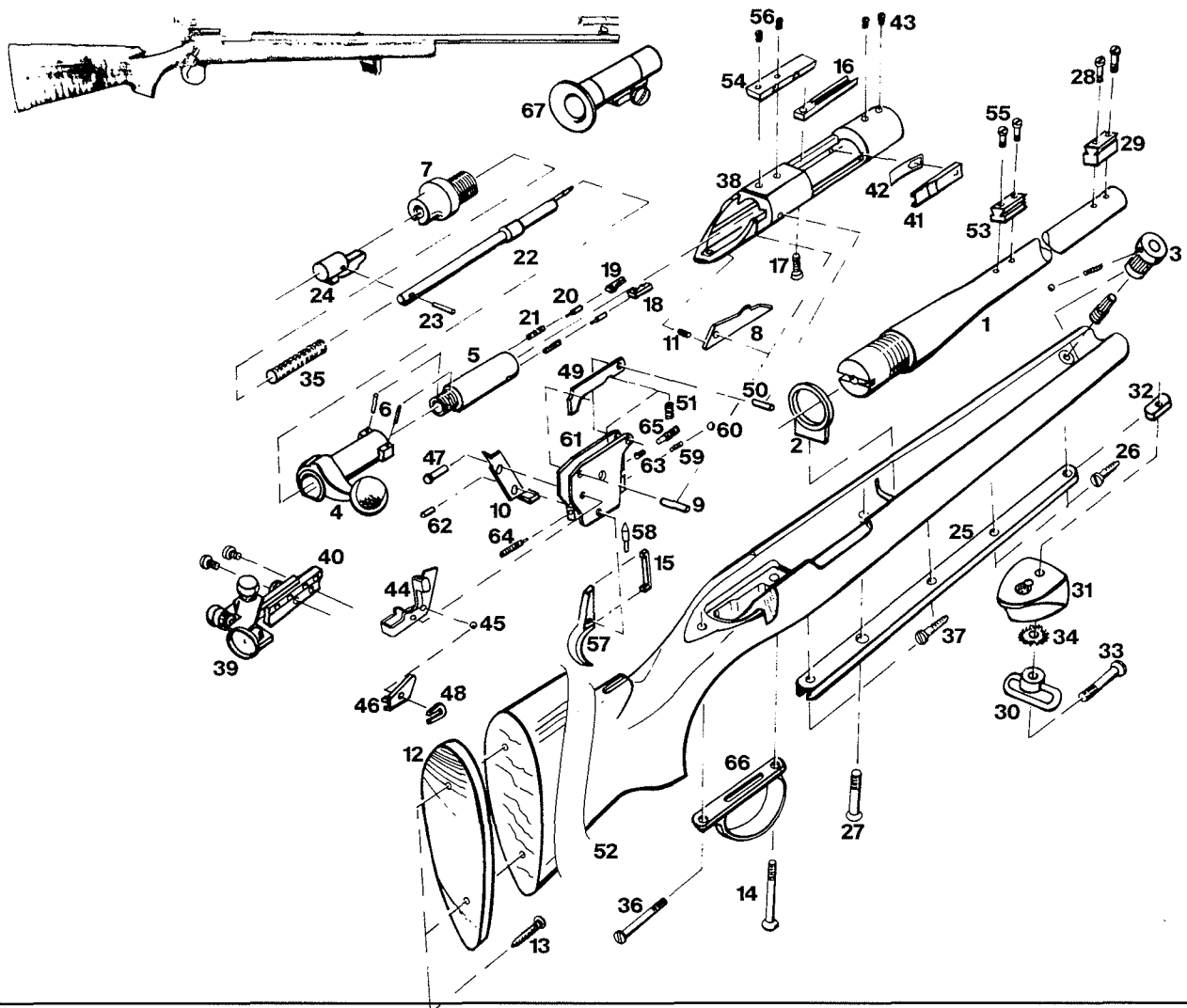
1	Receiver	23	Trigger Housing	45	Rear Guard Bow Screw Bushing
2	Ejector	24	Trigger Housing Pins	46	Front Guard Bow Extension Screw Bushing
3	Bolt Handle Detent Plunger	25	Bolt Stop	47	Stock
4	Bolt Handle Detent Spring	26	Bolt Stop Pin	48	Guard Bow
5	Bolt Handle Detent Screw	27	Bolt Stop Spring	49	Rear Guard Bow Screw
6	Barrel	28	Sear	50	Front Guard Bow Screw
7	Telescope Base, Rear	29	Sear Spring	51	Guard Bow Extension
8	Telescope Base Screws, Rear	30	Sear Screw	52	Magazine Lock Button
9	Telescope Base, Front	31	Sear Guide Pin	53	Magazine Lock Button Bushing
10	Telescope Base Screws, Front	32	Trigger Adjusting Screw, Rear	54	Front Guard Bow Extension Screw
11	Front Sight Base	33	Trigger Adjusting Screw, Front	55	Magazine Assembly
12	Front Sight Base Screws	34	Trigger Adjusting Screw	56	Swivel Base Guide
13	Front Sight Assembly	35	Trigger	57	Swivel Base Guide Screws
14	Receiver Sight Base	36	Trigger Pin	58	Front Swivel Assembly
15	Receiver Sight Base Screws	37	Trigger Spring		
16	Receiver Sight	38	Magazine Lock Plunger	Parts Not Shown	
17	Safety	39	Magazine Lock Plunger Spring		Rear Swivel
18	Safety Shaft	40	Magazine Lock Bracket		Buttplate
19	Safety Detent	41	Magazine Lock Bracket Screws		Buttplate Screws
20	Safety Detent Spring	42	Magazine Lock		
21	Safety Shaft Lock Screw	43	Magazine Lock Pin		
22	Bolt Assembly	44	Front Guard Bow Screw Nut		

Model 40-XB Centerfire Bolt-Action Rifle



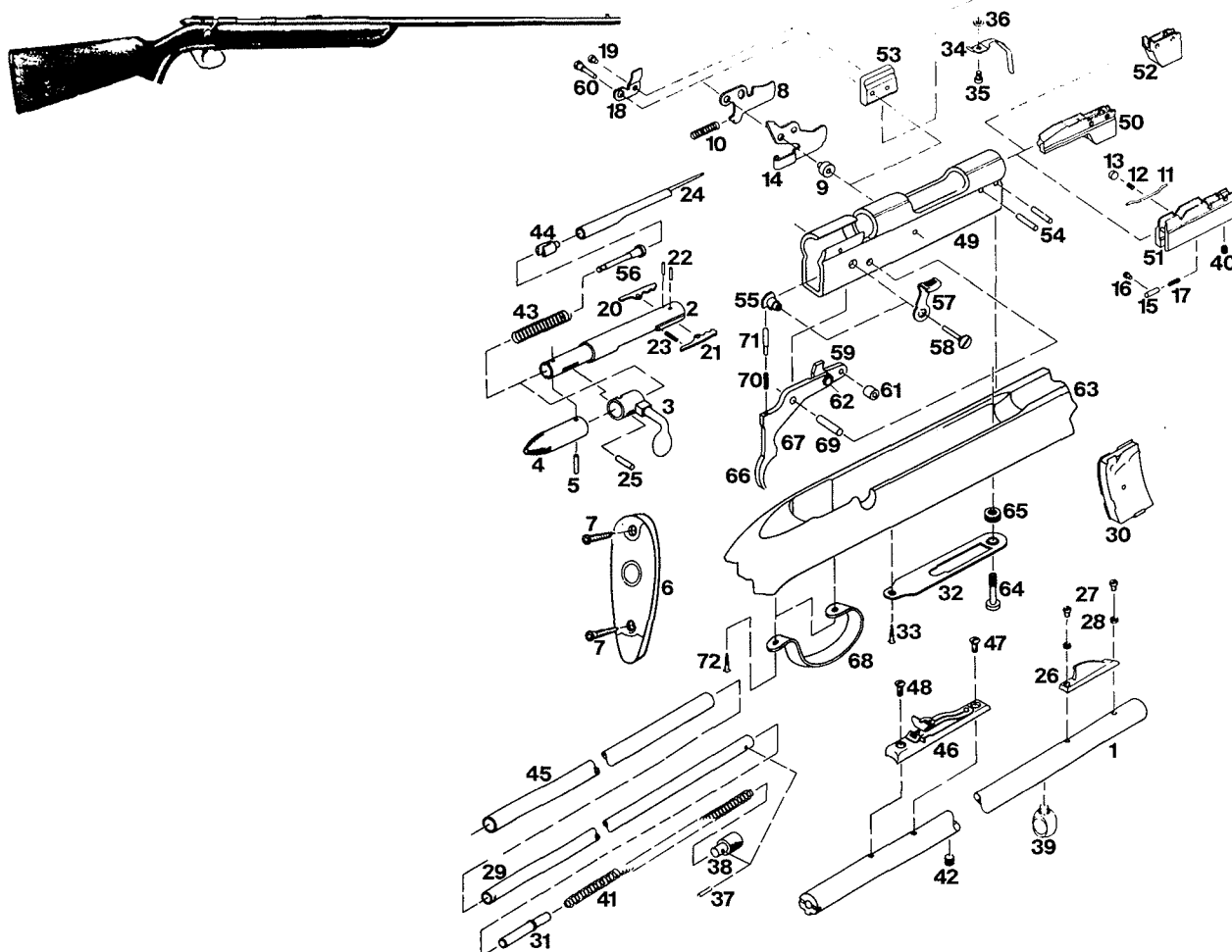
1	Bolt Assembly	23	Floorplate Latch Spring	45	Sear Pin
2	Bolt Plug	24	Forend Rail	46	Sear Safety Cam
3	Bolt Stop	25	Forend Rail Screws	47	Sear Spring
4	Bolt Stop Pin	26	Front Guard Screw	48	Stock
5	Bolt Stop Release	27	Front Swivel Block	49	Telescope Base, Front
6	Bolt Stop Spring	28	Front Swivel Block Washer	50	Telescope Base, Rear
7	Buttplate	29	Front Swivel with Bushing	51	Telescope Base Screws, Front
8	Buttplate Screws	30	Front Swivel Nut	52	Telescope Base Screws, Rear
9	Center Guard Screw	31	Front Swivel Screw	53	Trigger
10	Connector	32	Front Swivel Washer	54	Trigger Adjusting Screw
11	Ejector	33	Magazine	55	Trigger Adjusting Spring
12	Ejector Pin	34	Magazine Follower	56	Trigger Adjusting Ball
13	Ejector Spring	35	Magazine Spacer	57	Trigger Engagement Screw
14	Extractor	36	Magazine Spring	58	Trigger Guard
15	Extractor Rivet	37	Mainspring	59	Trigger Guard and Magazine Guide
16	Firing Pin	38	Rear Guard Screw	60	Trigger Housing Assembly
17	Firing Pin Assembly	39	Receiver Plug Screws	61	Trigger Pin
18	Firing Pin Cross Pin	40	Safety Assembly	62	Trigger Spring
19	Floorplate	41	Safety Detent Ball	63	Trigger Stop Screw
20	Floorplate Latch	42	Safety Detent Spring		
21	Floorplate Latch Pin	43	Safety Pivot Pin		
22	Floorplate Pivot Pin	44	Safety Snap Washer		

Model 40-XB Rimfire Bolt-Action Rifle



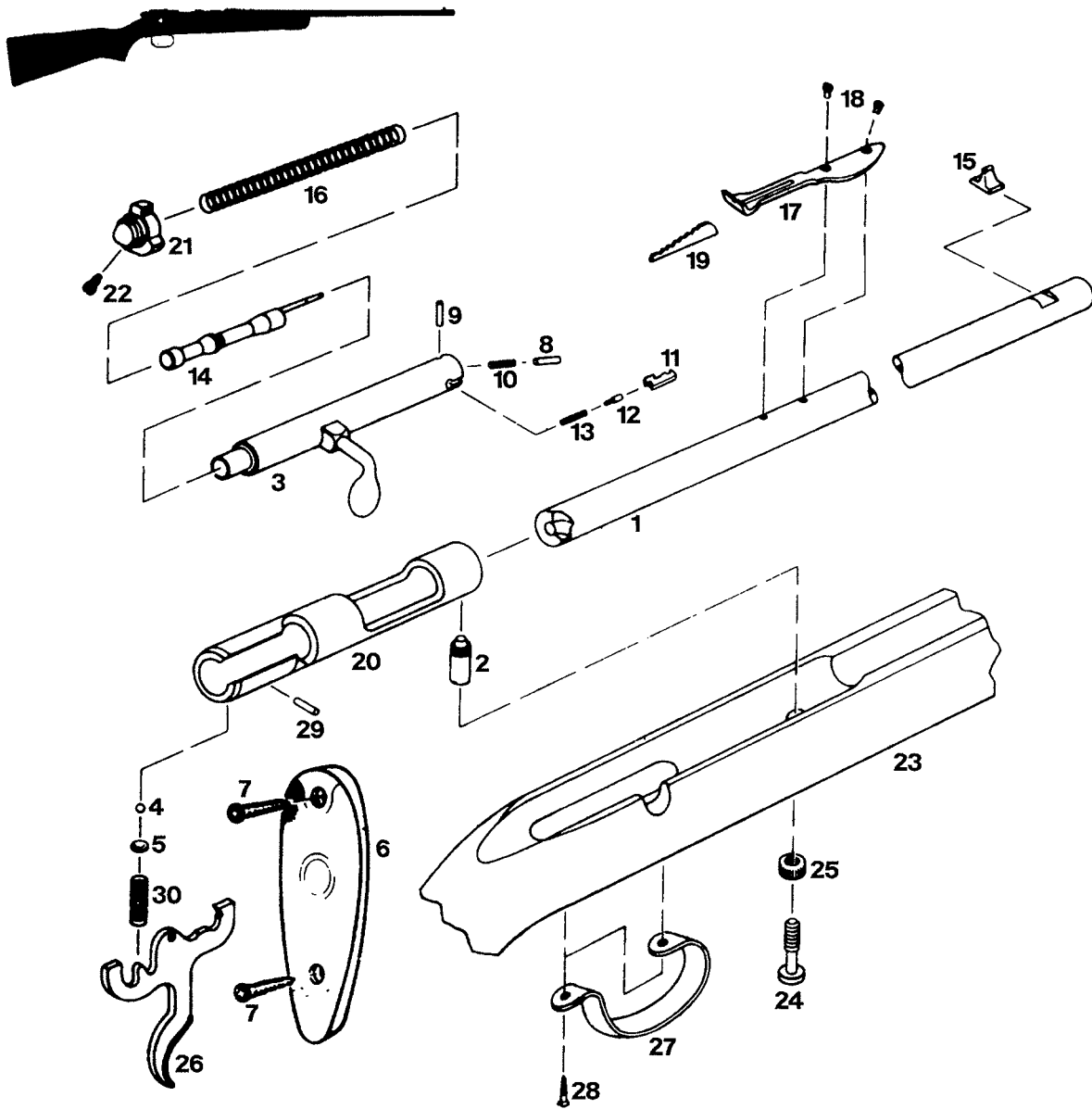
1	Barrel Assembly	24	Firing Pin Extension	47	Safety Pivot Pin
2	Barrel Bracket	25	Forend Rail	48	Safety Snap Washer
3	Bedding Escutcheon Assembly	26	Front Rail Screws	49	Sear Safety Cam
4	Bolt Handle	27	Front Guard Screw	50	Sear Pin
5	Bolt Body	28	Front Sight Base Screws	51	Sear Spring
6	Bolt Pins	29	Front Sight Base	52	Stock
7	Bolt Plug	30	Front Swivel with Bushing	53	Telescope Base, Front
8	Bolt Stop	31	Front Swivel Block	54	Telescope Base, Rear
9	Bolt Stop Pin	32	Front Swivel Nut	55	Telescope Base Screws, Front
10	Bolt Stop Release	33	Front Swivel Screw	56	Telescope Base Screws, Rear
11	Bolt Stop Spring	34	Front Swivel Washer	57	Trigger
12	Buttpad	35	Mainspring	58	Trigger Adjusting Screw
13	Buttpad Screws	36	Rear Guard Screw	59	Trigger Adjusting Spring
14	Center Guard Screw	37	Rear Rail Screws	60	Trigger Adjusting Ball
15	Connector	38	Receiver	61	Trigger Housing
16	Ejector	39	Rear Sight	62	Trigger Pin
17	Ejector Screw	40	Rear Sight Base and Screws	63	Trigger Spring
18	Extractor, Right	41	Receiver Filler Piece	64	Trigger Engagement Screw
19	Extractor, Left	42	Receiver Filler Spring	65	Trigger Stop Screw
20	Extractor Plungers	43	Receiver Plug Screws	66	Trigger Guard
21	Extractor Springs	44	Safety Assembly	67	Front Globe Sight
22	Firing Pin	45	Safety Detent Ball		
23	Firing Pin Cross Pin	46	Safety Detent Spring		

Model 510-X, 511-X and 512-X Bolt-Action Rifle



1	Barrel (510-X)	23	Extractor Spring	47	Rear Sight Screw, Front
2	Bolt	24	Firing Pin	48	Rear Sight Screw, Rear
3	Bolt Handle	25	Firing Pin Cam Pin	49	Receiver (510-X and 511-X)
4	Bolt Sleeve	26	Front Sight	50	Receiver Insert (510-X)
5	Bolt Sleeve Pin	27	Front Sight Screws	51	Receiver Insert (512-X)
6	Buttplate	28	Front Sight Washers	52	Receiver Insert, Front (511-X)
7	Buttplate Screws	29	Inner Magazine Tube (512-X)	53	Receiver Insert, Rear (511-X)
8	Carrier (512-X)	30	Magazine Assembly	54	Receiver Insert Retaining Pins
9	Carrier Spacer Bushing (512-X)	31	Magazine Follower (512-X)	55	Safety (510-X)
10	Carrier Tension Spring (512-X)	32	Magazine Guide Plate (511-X)	56	Safety Indicator
11	Cartridge Retainer (512-X)	33	Magazine Guide Plate Screw (511-X)	57	Safety-Lever
12	Cartridge Retainer Spring (512-X)	34	Magazine Lock (511-X)	58	Safety Screw
13	Cartridge Retainer Spring Screw (512-X)	35	Magazine Lock Screw (511-X)	59	Sear
14	Cartridge Stop (512-X)	36	Magazine Lock Spacer (511-X)	60	Sear Pivot Screw
15	Cartridge Stop Plunger (512-X)	37	Magazine Pin (512-X)	61	Sear Spacing Collar (510-X)
16	Cartridge Stop Plunger Screw (512-X)	38	Magazine Plug (512-X)	62	Sear Stud
17	Cartridge Stop Plunger Spring (512-X)	39	Magazine Ring (512-X)	63	Stock
18	Ejector (510-X and 512-X)	40	Magazine Screw (512-X)	64	Takedown Screw (511-X)
19	Ejector Screw (510-X and 512-X)	41	Magazine Spring (512-X)	65	Takedown Screw Escutcheon
20	Extractor, Left	42	Magazine Tube Support Screw (512-X)	66	Trigger
21	Extractor, Right	43	Mainspring	67	Trigger Assembly
22	Extractor Pins	44	Mainspring Plunger	68	Trigger Guard
		45	Outer Magazine Tube (512-X)	69	Trigger Pin
		46	Rear Sight Assembly	70	Trigger Spring
				71	Trigger Spring Plunger
				72	Trigger Guard Screw

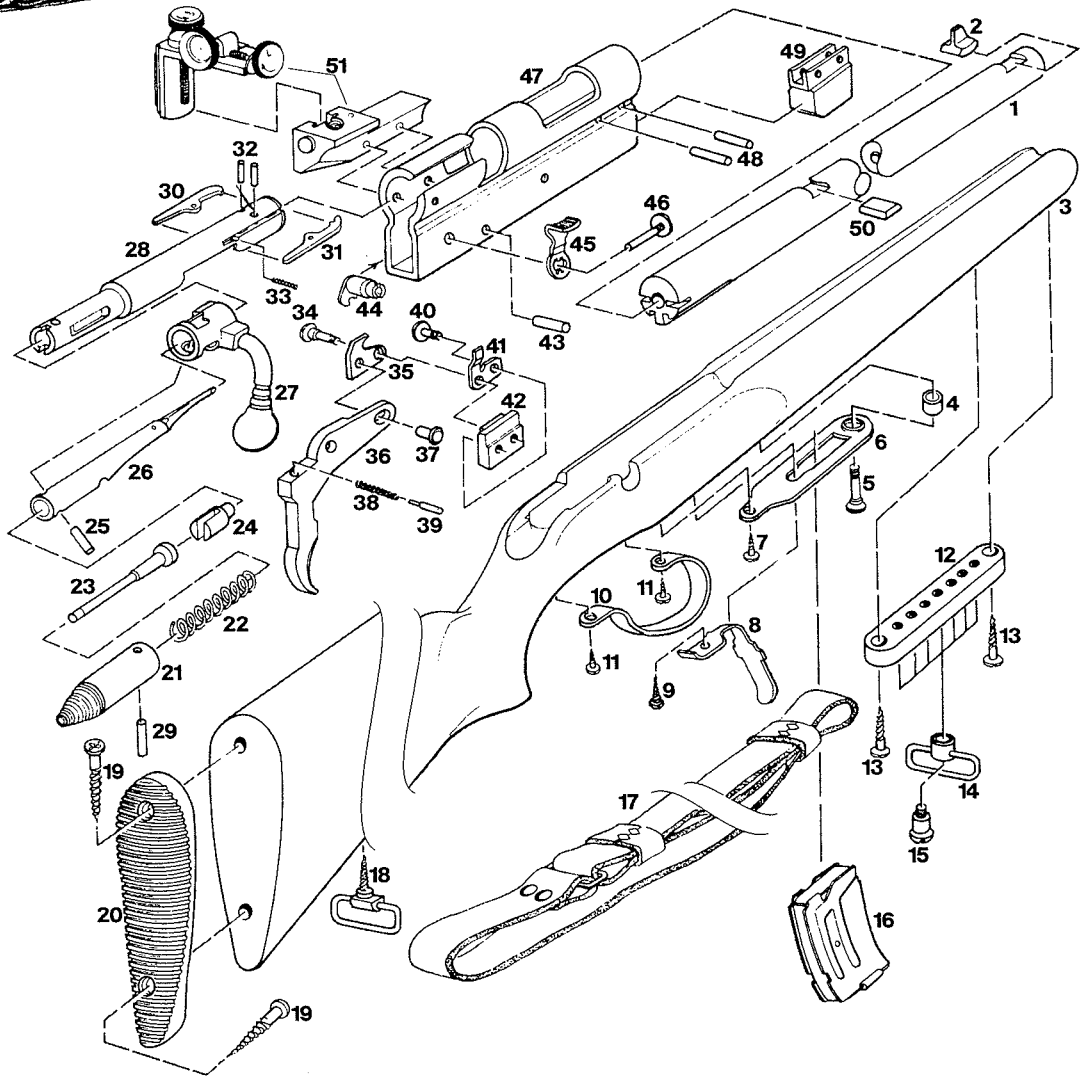
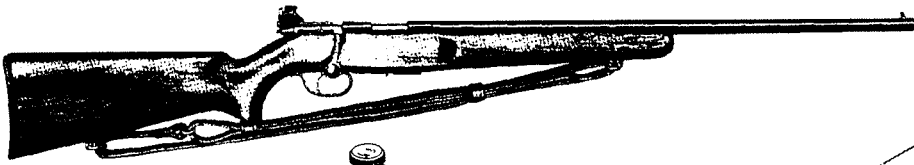
Model 514 Single Shot Bolt-Action Rifle



1	Barrel	16	Mainspring
2	Barrel Lock Screw	17	Open Sight Leaf
3	Bolt Body with Handle	18	Open Sight Screws
4	Bolt Detent Ball	19	Open Sight Step
5	Bolt Detent Retainer	20	Receiver
6	Buttplate	21	Safety
7	Buttplate Screws	22	Safety Screw
8	Ejector	23	Stock
9	Ejector Pin	24	Takedown Screw
10	Ejector Spring	25	Takedown Screw Escutcheon
11	Extractor	26	Trigger
12	Extractor Plunger	27	Trigger Guard
13	Extractor Spring	28	Trigger Guard Screws
14	Firing Pin	29	Trigger Pin
15	Front Sight	30	Trigger Spring

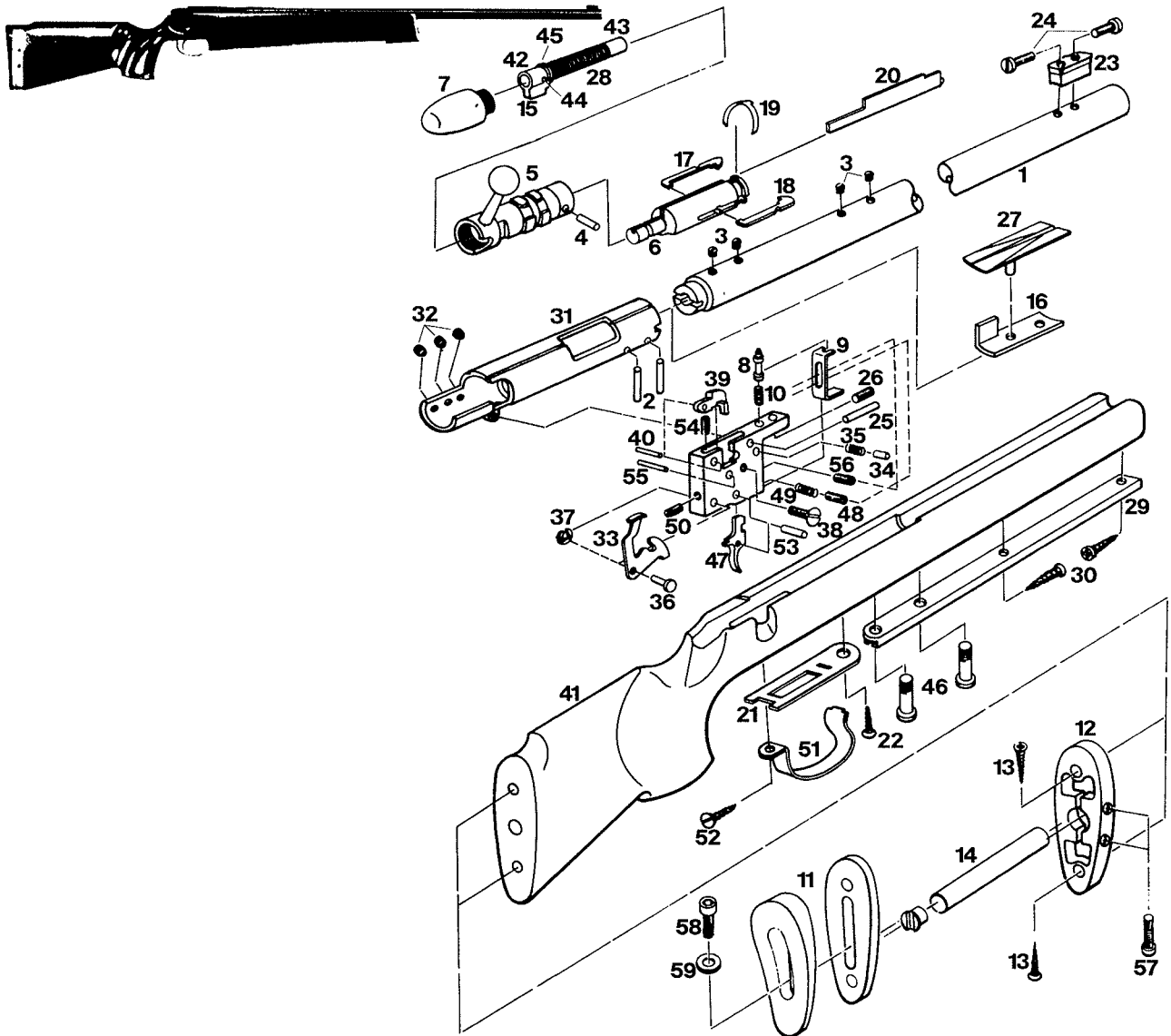
Model 521-T Single Shot Bolt-Action Rifle

Courtesy of Thomas E. Wessel



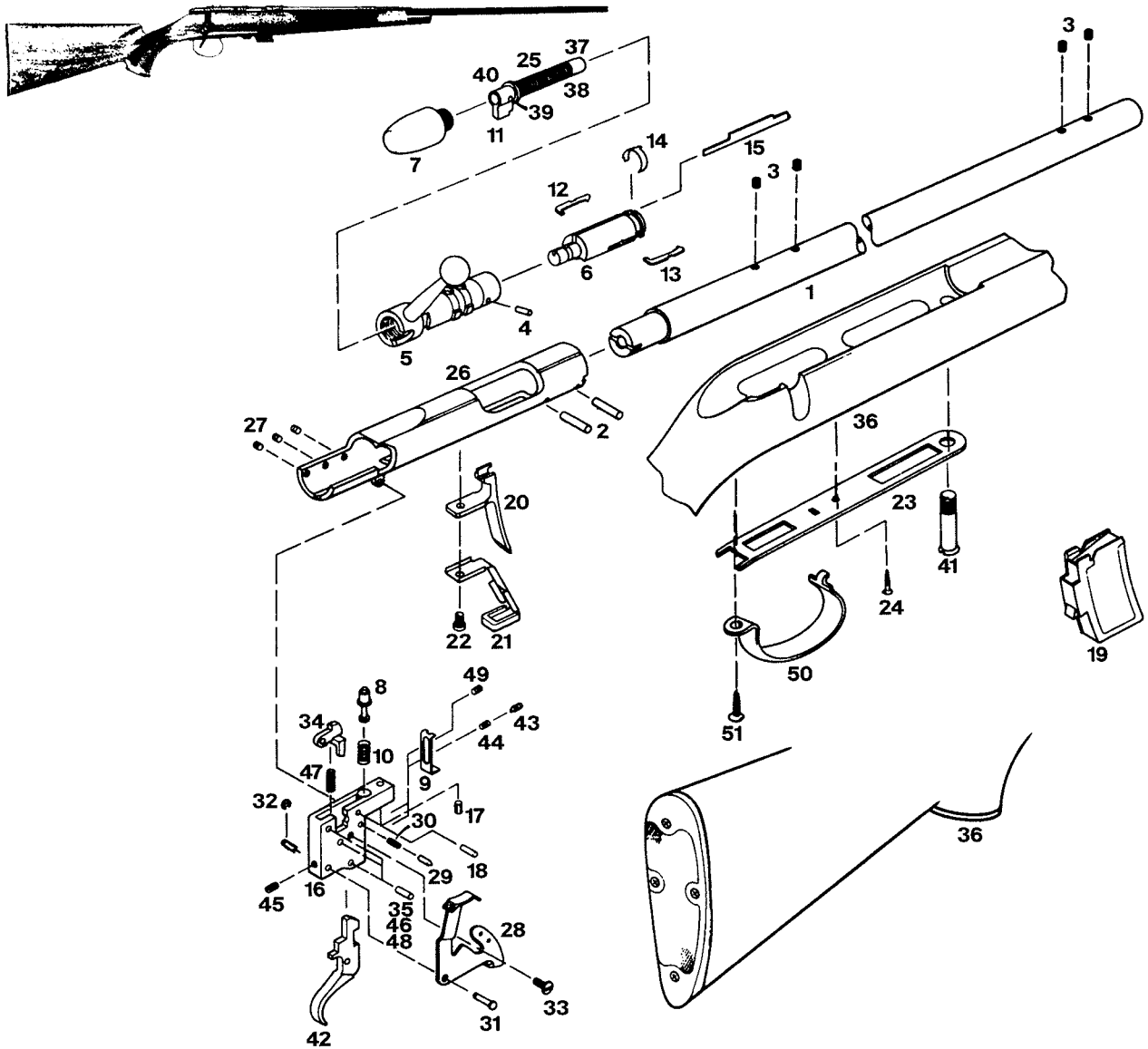
1	Barrel	18	Rear Swivel	35	Sear
2	Front Sight	19	Buttplate Screws	36	Trigger
3	Stock	20	Buttplate	37	Sear Stud
4	Takedown Screw Escutcheon	21	Bolt Sleeve	38	Trigger Spring
5	Takedown Screw	22	Mainspring	39	Trigger Spring Plunger
6	Magazine Guide Plate	23	Safety Indicator	40	Ejector Screw
7	Magazine Guide Plate Screw	24	Mainspring Plunger	41	Ejector
8	Magazine Lock	25	Firing Pin Cam Pin	42	Receiver Insert, Rear
9	Magazine Lock Screw	26	Firing Pin	43	Trigger Pin
10	Trigger Guard	27	Bolt Handle	44	Safety
11	Trigger Guard Screws	28	Bolt	45	Safety-Lever
12	Front Swivel Base	29	Bolt Sleeve Pin	46	Safety Screw
13	Front Swivel Base Screws	30	Extractor, Left	47	Receiver
14	Front Swivel	31	Extractor, Right	48	Barrel Lock Pins
15	Front Swivel Screw	32	Extractor Pins	49	Receiver Insert, Front
16	Magazine Assembly	33	Extractor Spring	50	Barrel Filler Block
17	Sling Strap Assembly	34	Sear Pivot Screw	51	Rear Micrometer Sight

Model 540-X Single Shot Bolt-Action Rifle



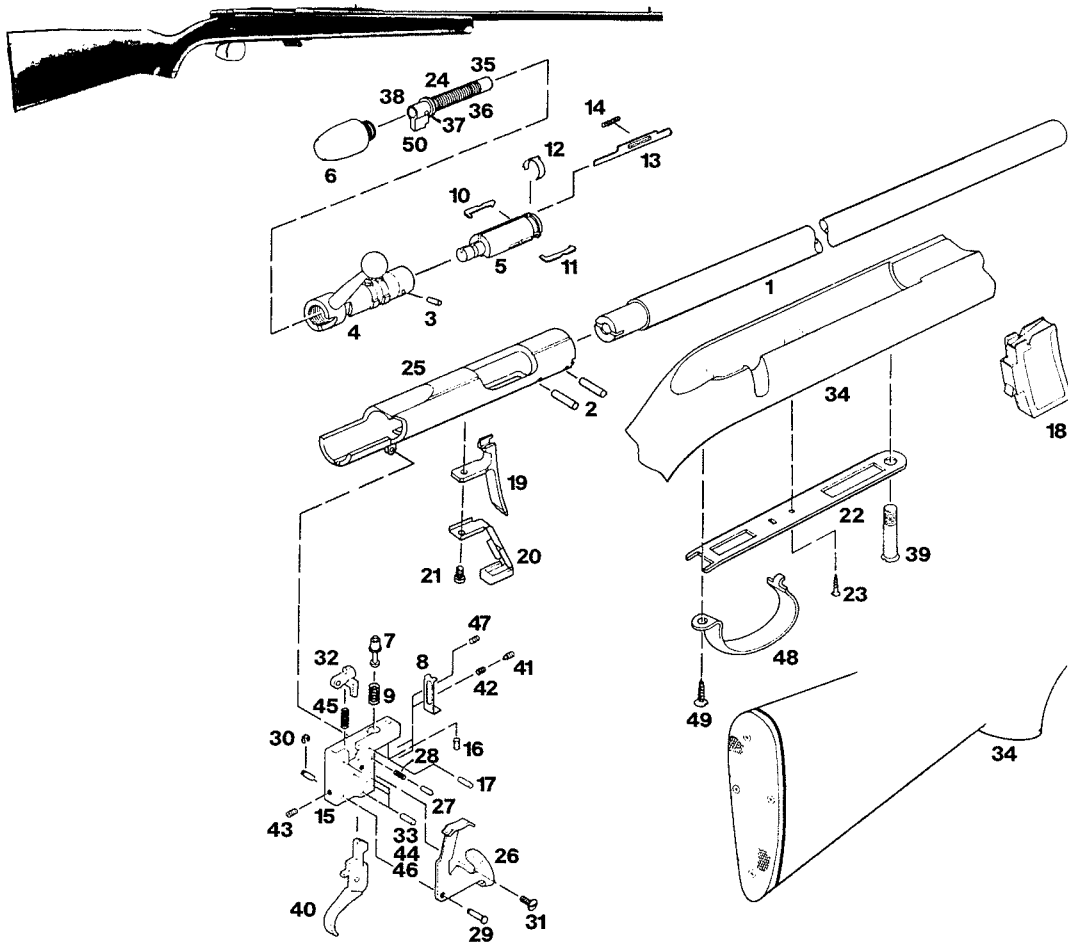
1	Barrel	21	Floorplate	40	Sear Pin
2	Barrel Assembly Pins	22	Floorplate Screw	41	Stock
3	Barrel Plug Screws	23	Front Sight Base	42	Striker Assembly
4	Bolt Assembly Pin	24	Front Sight Base Screws	43	Striker
5	Bolt Body	25	Housing Pin	44	Striker Cross Pin
6	Bolt Head	26	Housing Lock Screw	45	Striker Washer
7	Bolt Plug	27	Loading Platform	46	Takedown Screws
8	Bolt Stop	28	Mainspring	47	Trigger
9	Bolt Stop Release	29	Rail	48	Trigger Adjustment Screw
10	Bolt Stop Spring	30	Rail Screws	49	Trigger Adjustment Spring
11	Buttplate Assembly	31	Receiver	50	Trigger Engagement Screw
12	Buttplate Base	32	Receiver Plug Screws	51	Trigger Guard
13	Buttplate Plate Screws	33	Safety	52	Trigger Guard Screw
14	Buttplate Tube Assembly	34	Safety Detent	53	Trigger Pin
15	Cocking Piece	35	Safety Detent Spring	54	Trigger Spring
16	Ejector	36	Safety Pivot Pin	55	Trigger Spring Retaining Pin
17	Extractor, Left	37	Safety Pivot Pin Retaining Washer	56	Trigger Stop Screw
18	Extractor, Right	38	Safety Retainer Screw	57	Tube Clamp Screws
19	Extractor Spring	39	Sear	58	Tube Screw
20	Firing Pin			59	Tube Screw Washer

Model 541-S Bolt-Action Rifle



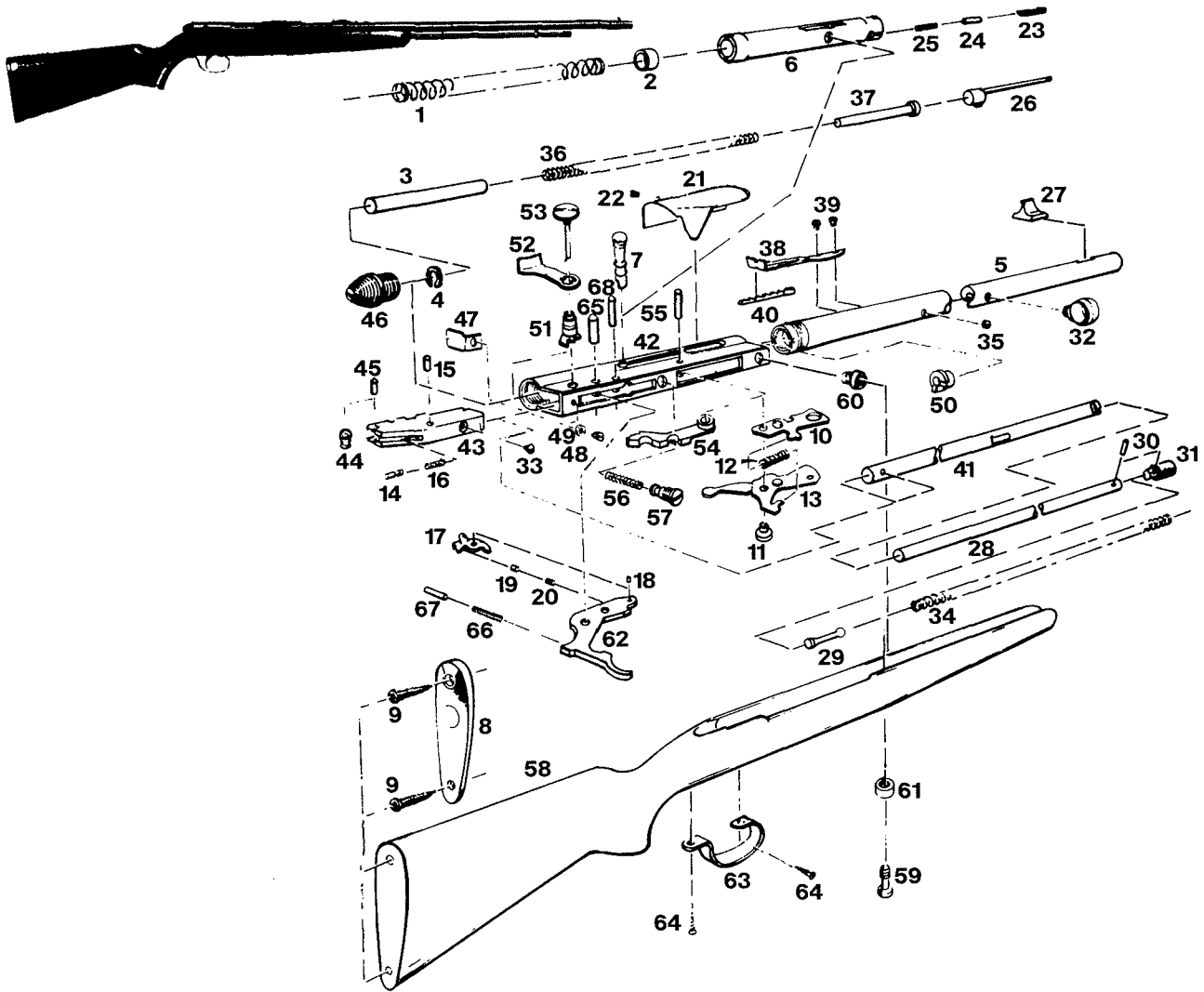
1	Barrel	18	Housing Pin	35	Sear Pin
2	Barrel Assembly Pins	19	Magazine Assembly	36	Stock Assembly
3	Barrel Plug Screws	20	Magazine Guide	37	Striker Assembly
4	Bolt Assembly Pin	21	Magazine Latch Assembly	38	Striker
5	Bolt Body Assembly	22	Magazine Latch Screw	39	Striker Cross Pin
6	Bolt Head	23	Magazine Plate	40	Striker Washer
7	Bolt Plug	24	Magazine Plate Screw	41	Takedown Screw
8	Bolt Stop	25	Mainspring	42	Trigger
9	Bolt Stop Release	26	Receiver Assembly	43	Trigger Adjusting Screw
10	Bolt Stop Spring	27	Receiver Plug Screws	44	Trigger Adjusting Spring
11	Cocking Piece	28	Safety	45	Trigger Engagement Screw
12	Extractor, Left	29	Safety Detent	46	Trigger Pin
13	Extractor, Right	30	Safety Detent Spring	47	Trigger Spring
14	Extractor Spring	31	Safety Pivot Pin	48	Trigger Spring Retaining Pin
15	Firing Pin	32	Safety Pivot Pin Washer	49	Trigger Stop Screw
16	Trigger Housing	33	Safety Retainer Screw	50	Trigger Guard
17	Housing Lock Screw	34	Sear	51	Trigger Guard Screw

Model 541-T and 581-S Bolt-Action Rifle



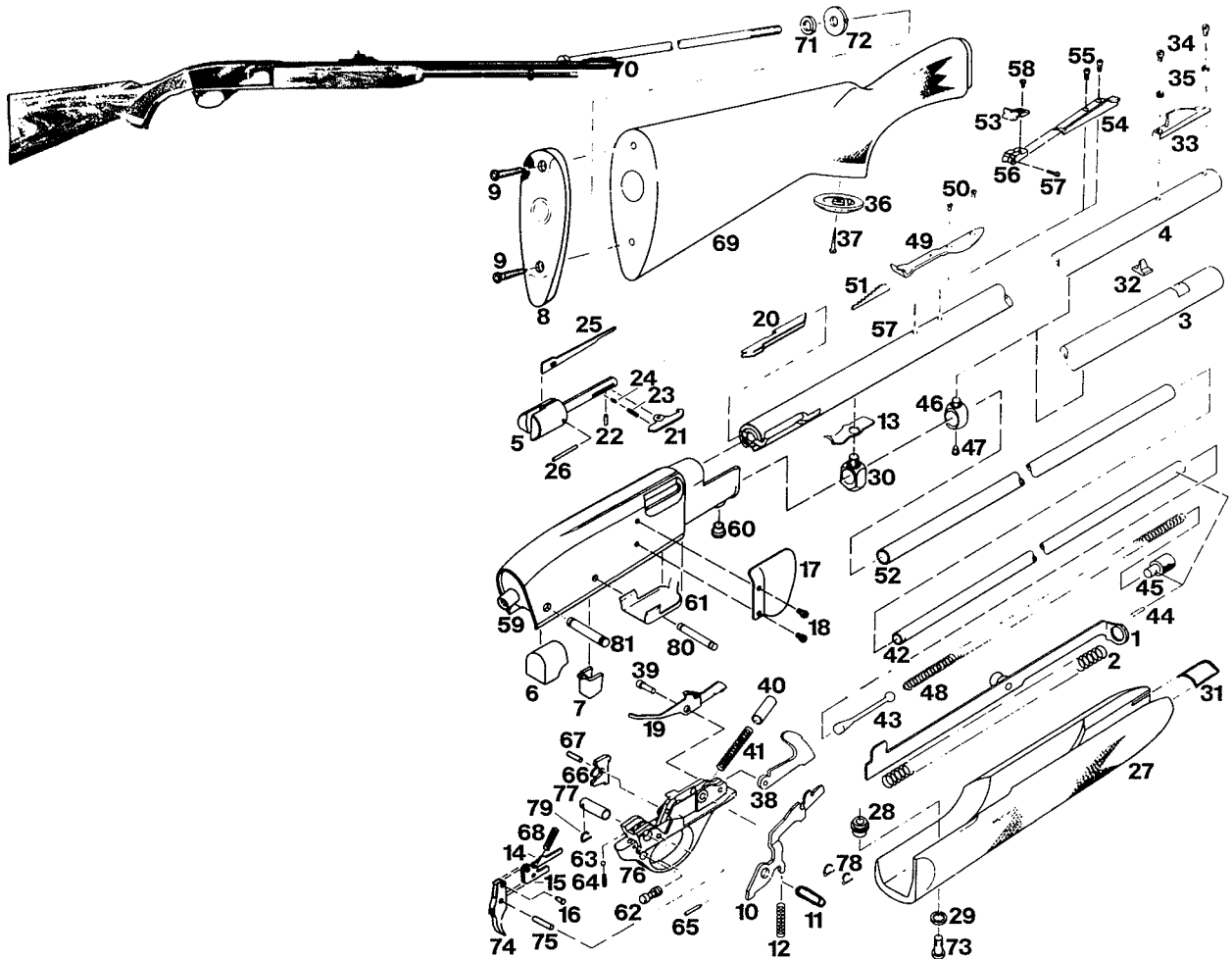
1	Barrel	27	Safety Detent
2	Barrel Assembly Pins	28	Safety Detent Spring
3	Bolt Assembly Pin	29	Safety Pivot Pin
4	Bolt Body Assembly	30	Safety Pivot Pin Retaining Washer
5	Bolt Head	31	Safety Retainer Screw
6	Bolt Plug	32	Sear
7	Bolt Stop	33	Sear Pin
8	Bolt Stop Release	34	Stock Assembly
9	Bolt Stop Spring	35	Striker Assembly
10	Extractor, Left	36	Striker
11	Extractor, Right	37	Striker Cross Pin
12	Extractor Spring	38	Striker Washer
13	Firing Pin	39	Takedown Screw
14	Firing Pin Return Spring	40	Trigger
15	Trigger Housing	41	Trigger Adjustment Screw
16	Housing Lock Screw	42	Trigger Adjustment Spring
17	Housing Pin	43	Trigger Engagement Screw
18	Magazine Assembly	44	Trigger Pin
19	Magazine Guide	45	Trigger Spring
20	Magazine Latch Assembly	46	Trigger Spring Retaining Pin
21	Magazine Latch Screw	47	Trigger Stop Screw
22	Magazine Plate	48	Trigger Guard
23	Magazine Plate Screw	49	Trigger Guard Screw
24	Mainspring	50	Cocking Piece
25	Receiver Assembly		
26	Safety		

Model 550-1 Autoloading Rifle



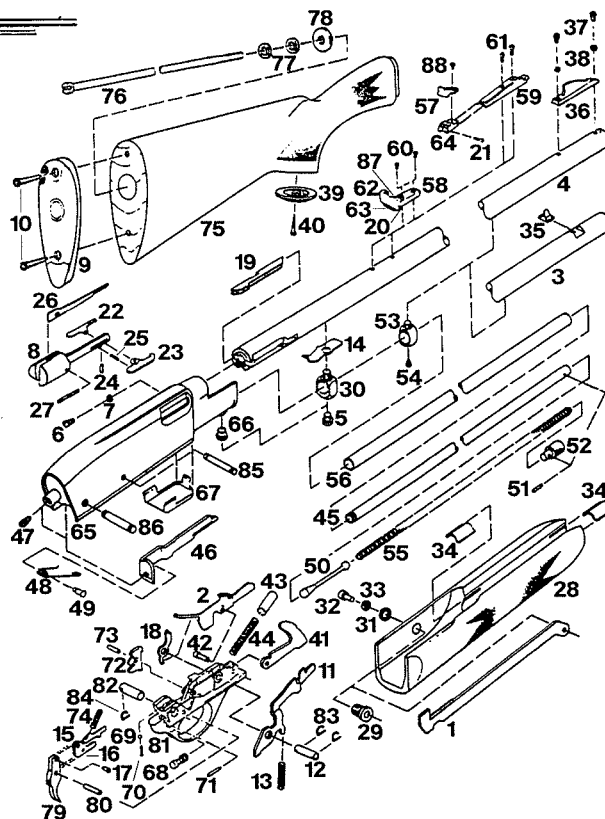
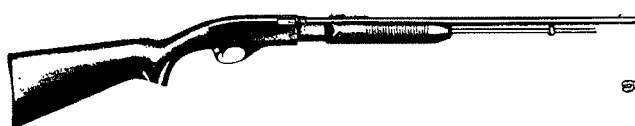
- | | | | | | |
|----|------------------------------|----|-----------------------------|----|------------------------------|
| 1 | Action Spring | 24 | Extractor Plunger | 47 | Receiver Plug Retainer |
| 2 | Action Spring Bushing | 25 | Extractor Spring | 48 | Receiver Plug Retainer Screw |
| 3 | Action Spring Guide | 26 | Firing Pin | 49 | Receiver Plug Retainer Screw |
| 4 | Action Spring Guide Retainer | 27 | Firing Pin | | Lock Washer |
| 5 | Barrel | 28 | Inner Magazine Tube | 50 | Recoiling Chamber |
| 6 | Bolt | 29 | Magazine Follower | 51 | Safety |
| 7 | Bolt Handle | 30 | Magazine Pin | 52 | Safety-Lever |
| 8 | Buttplate | 31 | Magazine Plug | 53 | Safety Screw |
| 9 | Buttplate Screws | 32 | Magazine Ring | 54 | Sear Assembly |
| 10 | Carrier | 33 | Magazine Screw | 55 | Sear Pin |
| 11 | Carrier Spacer Bushing | 34 | Magazine Spring | 56 | Sear Spring |
| 12 | Carrier Tension Spring | 35 | Magazine Tube Support Screw | 57 | Sear Spring Case |
| 13 | Cartridge Stop | 36 | Mainspring | 58 | Stock |
| 14 | Cartridge Stop Detent | 37 | Mainspring Plunger | 59 | Takedown Screw |
| 15 | Cartridge Stop Detent Pin | 38 | Open Sight Leaf | 60 | Takedown Screw Bushing |
| 16 | Cartridge Stop Detent Spring | 39 | Open Sight Screws | 61 | Takedown Screw Escutcheon |
| 17 | Connector | 40 | Open Sight Step | 62 | Trigger |
| 18 | Connector Pin | 41 | Outer Magazine Tube | 63 | Trigger Guard |
| 19 | Connector Plunger | 42 | Receiver Assembly | 64 | Trigger Guard Screws |
| 20 | Connector Spring | 43 | Receiver Insert | 65 | Trigger Pin |
| 21 | Deflector | 44 | Receiver Insert Spacer | 66 | Trigger Spring |
| 22 | Deflector Screw | 45 | Receiver Insert Spacer Pin | 67 | Trigger Spring Plunger |
| 23 | Extractor | 46 | Receiver Plug | 68 | Trigger Stop Pin |

Model 552 and 552 BDL Autoloading Rifle



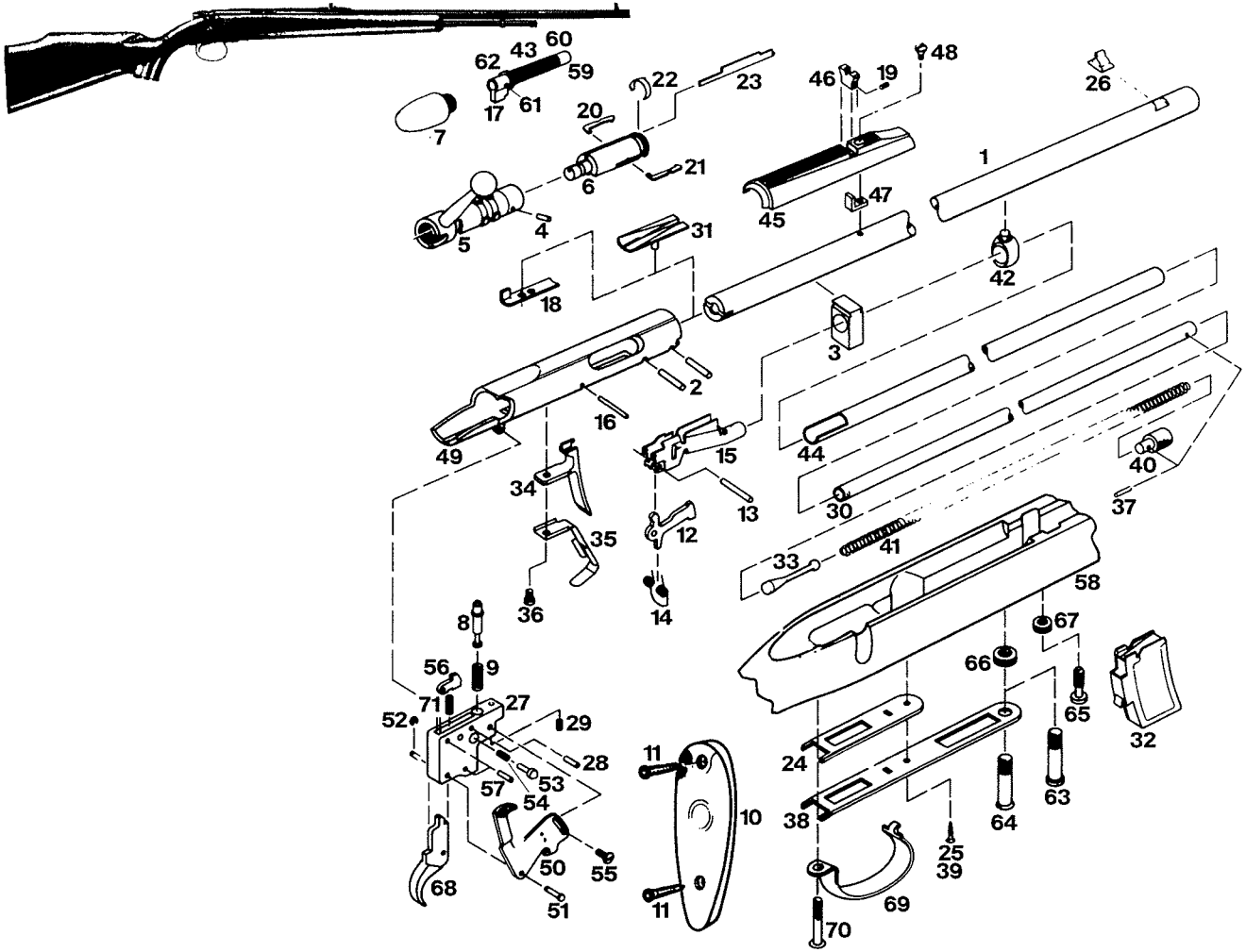
1	Action Bar Assembly	28	Forend Escutcheon	55	Rear Sight Base Screws (BDL)
2	Action Spring	29	Forend Escutcheon Nut	56	Rear Sight Slide (BDL)
3	Barrel	30	Forend Hanger	57	Elevation Screw (BDL)
4	Barrel (BDL)	31	Forend Support	58	Windage Screw (BDL)
5	Bolt	32	Front Sight	59	Receiver
6	Buffer Pad	33	Front Sight (BDL)	60	Receiver Bushing
7	Bolt Buffer	34	Front Sight Screws	61	Receiver Cover
8	Buttplate	35	Front Sight Washers	62	Safety
9	Buttplate Screws	36	Grip Cap (BDL)	63	Safety Detent Ball
10	Carrier	37	Grip Cap Screw	64	Safety Spring
11	Carrier Pivot Tube	38	Hammer	65	Safety Spring Retaining Pin
12	Carrier Spring	39	Hammer Pin	66	Sear
13	Cartridge Ramp	40	Hammer Plunger	67	Sear Pin
14	Connector, Left	41	Hammer Spring	68	Sear Spring
15	Connector, Right	42	Inner Magazine Tube	69	Stock Assembly (BDL)
16	Connector Pin	43	Magazine Follower	70	Stock Bolt
17	Deflector	44	Magazine Pin	71	Stock Bolt Lock Washer
18	Deflector Screws	45	Magazine Plug	72	Stock Bolt Washer
19	Disconnecter	46	Magazine Ring	73	Takedown Screw
20	Ejector	47	Magazine Screw	74	Trigger
21	Extractor	48	Magazine Spring	75	Trigger Pin
22	Extractor Pin	49	Open Sight Leaf	76	Trigger Plate
23	Extractor Spring	50	Open Sight Screws	77	Trigger Plate Pin Bushing, Rear
24	Extractor Spring Seat	51	Open Sight Step	78	Trigger Plate Pin Detent Springs, Front
25	Firing Pin	52	Outer Magazine Tube	79	Trigger Plate Pin Detent Spring, Rear
26	Firing Pin Retaining Pin	53	Rear Sight Aperture (BDL)	80	Trigger Plate Pin, Front
27	Forend Assembly	54	Rear Sight Base (BDL)	81	Trigger Plate Pin, Rear

Model 572 and 572 BDL Autoloading Rifle



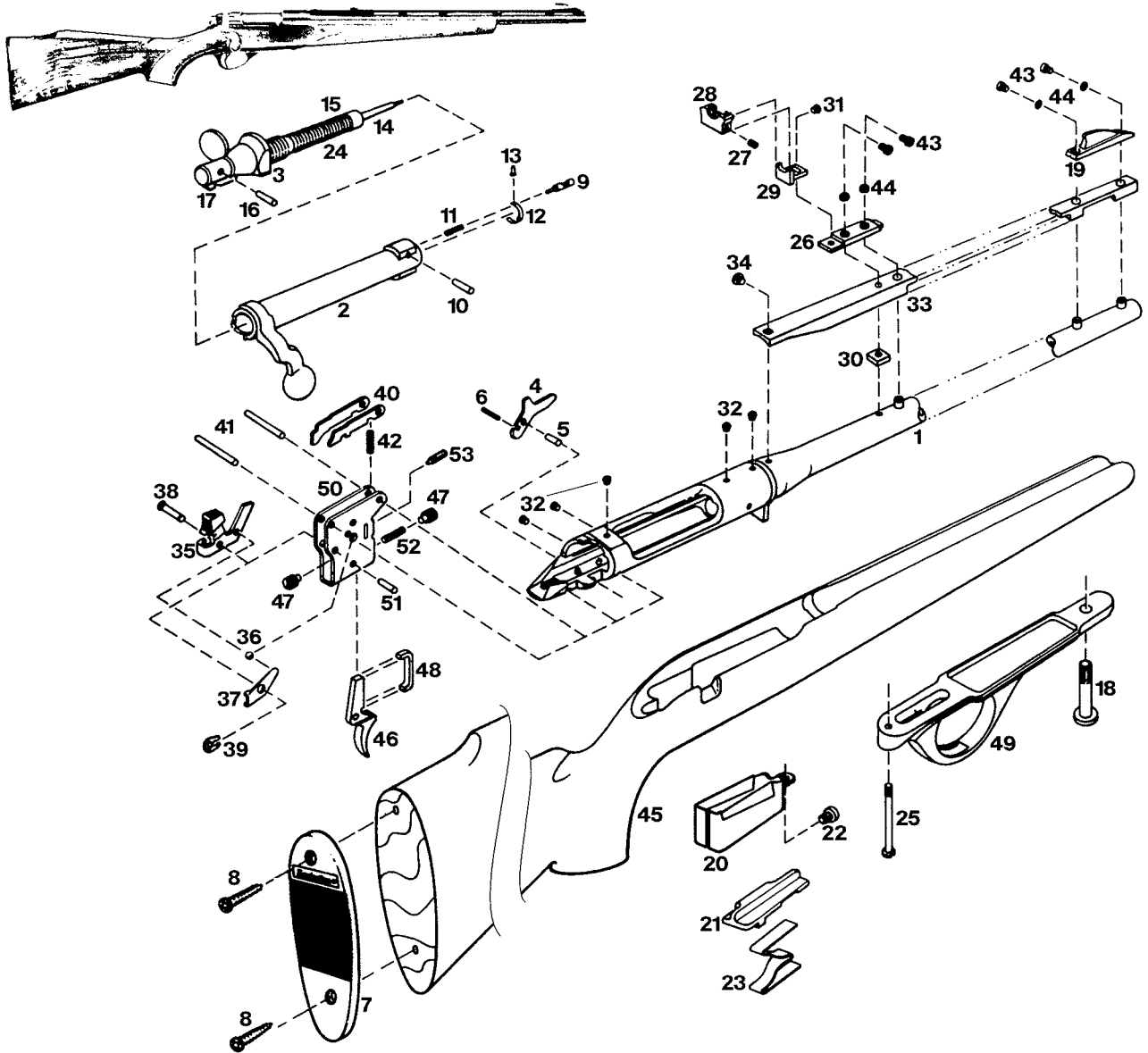
1	Action Bar	32	Forend Screw	63	Rear Sight Leaf
2	Action Bar Lock	33	Forend Screw Lock Washer	64	Rear Sight Slide (BDL)
3	Barrel	34	Forend Supports	65	Receiver
4	Barrel (BDL)	35	Front Sight	66	Receiver Bushing
5	Barrel Lock Screw	36	Front Sight (BDL)	67	Receiver Cover
6	Barrel Dowel Screw	37	Front Sight Screws (BDL)	68	Safety Switch
7	Barrel Dowel Screw Washer	38	Front Sight Washers (BDL)	69	Safety Switch Detent Ball
8	Bolt Assembly	39	Grip Cap (BDL)	70	Safety Switch Spring
9	Buttplate	40	Grip Cap Screw	71	Safety Switch Spring Retain- ing Pin
10	Buttplate Screws	41	Hammer	72	Sear
11	Carrier	42	Hammer Pin	73	Sear Pin
12	Carrier Pivot Tube	43	Hammer Plunger	74	Sear Spring
13	Carrier Spring	44	Hammer Spring	75	Stock Assembly (BDL)
14	Cartridge Ramp	45	Inner Magazine Tube	76	Stock Bolt
15	Connector, Left	46	Locking Bar	77	Stock Bolt Lock Washers
16	Connector, Right	47	Locking Bar Retaining Screw	78	Stock Bolt Washer
17	Connector Pin	48	Locking Bar Spring	79	Trigger Assembly
18	Disconnecter	49	Locking Bar Spring Stud	80	Trigger Pin
19	Ejector	50	Magazine Follower	81	Trigger Plate Assembly
20	Elevation Screw	51	Magazine Pin	82	Trigger Plate Pin Bushing, Rear
21	Elevation Screw (BDL)	52	Magazine Plug	83	Trigger Plate Pin Detent Springs, Front
22	Extractor, Left	53	Magazine Ring	84	Trigger Plate Pin Detent Spring, Rear
23	Extractor, Right	54	Magazine Screw	85	Trigger Plate Pin, Front
24	Extractor Pin	55	Magazine Spring	86	Trigger Plate Pin, Rear
25	Extractor Spring	56	Outer Magazine Tube	87	Windage Screw
26	Firing Pin	57	Rear Sight Aperture (BDL)	88	Windage Screw (BDL)
27	Firing Pin Retaining Pin	58	Rear Sight Base		
28	Forend Assembly	59	Rear Sight Base (BDL)		
29	Forend Escutcheon	60	Rear Sight Base Screws		
30	Forend Hanger	61	Rear Sight Base Screws (BDL)		
31	Forend Nut	62	Rear Sight Eyeiece		

Model 580, 581 and 582 Bolt-Action Rifle



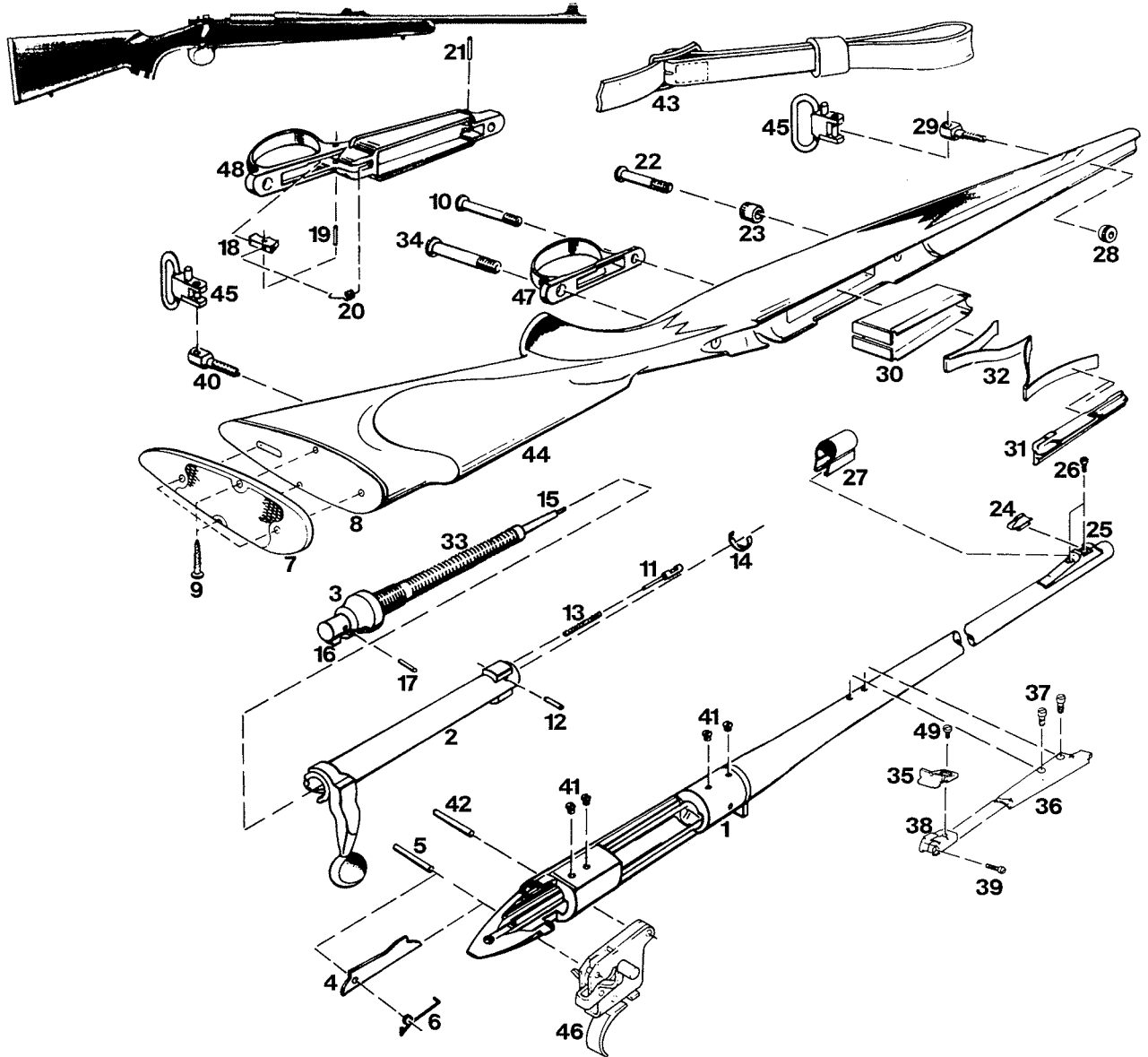
1	Barrel	26	Front Sight	51	Safety Pivot Pin
2	Barrel Assembly Pins	27	Trigger Housing	52	Safety Pivot Pin Retaining Washer
3	Barrel Bracket	28	Housing Pin	53	Safety Plunger
4	Bolt Assembly Pin	29	Housing Lock Screw	54	Safety Plunger Spring
5	Body Bolt Assembly	30	Inner Magazine Tube	55	Safety Retaining Screw
6	Bolt Head	31	Loading Platform	56	Sear
7	Bolt Plug	32	Magazine Assembly (581)	57	Sear Pin
8	Bolt Stop	33	Magazine Follower	58	Stock Assembly
9	Bolt Stop Spring	34	Magazine Guide	59	Striker Assembly
10	Buttplate	35	Magazine Latch	60	Striker
11	Buttplate Screws	36	Magazine Latch Screw	61	Striker Cross Pin
12	Carrier	37	Magazine Pin	62	Striker Washer
13	Carrier Pin	38	Magazine Plate (581)	63	Takedown Screw (580)
14	Carrier Spring	39	Magazine Plate Screw	64	Takedown Screw (581)
15	Cartridge Feed Insert	40	Magazine Plug	65	Takedown Screw (582)
16	Cartridge Feed Insert Pin	41	Magazine Spring	66	Takedown Screw Escutcheon (582)
17	Cocking Piece	42	Magazine Ring	67	Trigger
18	Ejector	43	Mainspring	68	Trigger Guard
19	Elevation Screw	44	Outer Magazine Tube	69	Trigger Guard Screw
20	Extractor, Left	45	Rear Sight Base	70	Trigger Spring
21	Extractor, Right	46	Rear Sight Aperture	71	
22	Extractor Spring	47	Rear Sight Leaf		
23	Firing Pin	48	Rear Sight Screw		
24	Floorplate	49	Receiver Assembly		
25	Floorplate Screw	50	Safety		

Model 600 Bolt-Action Carbine



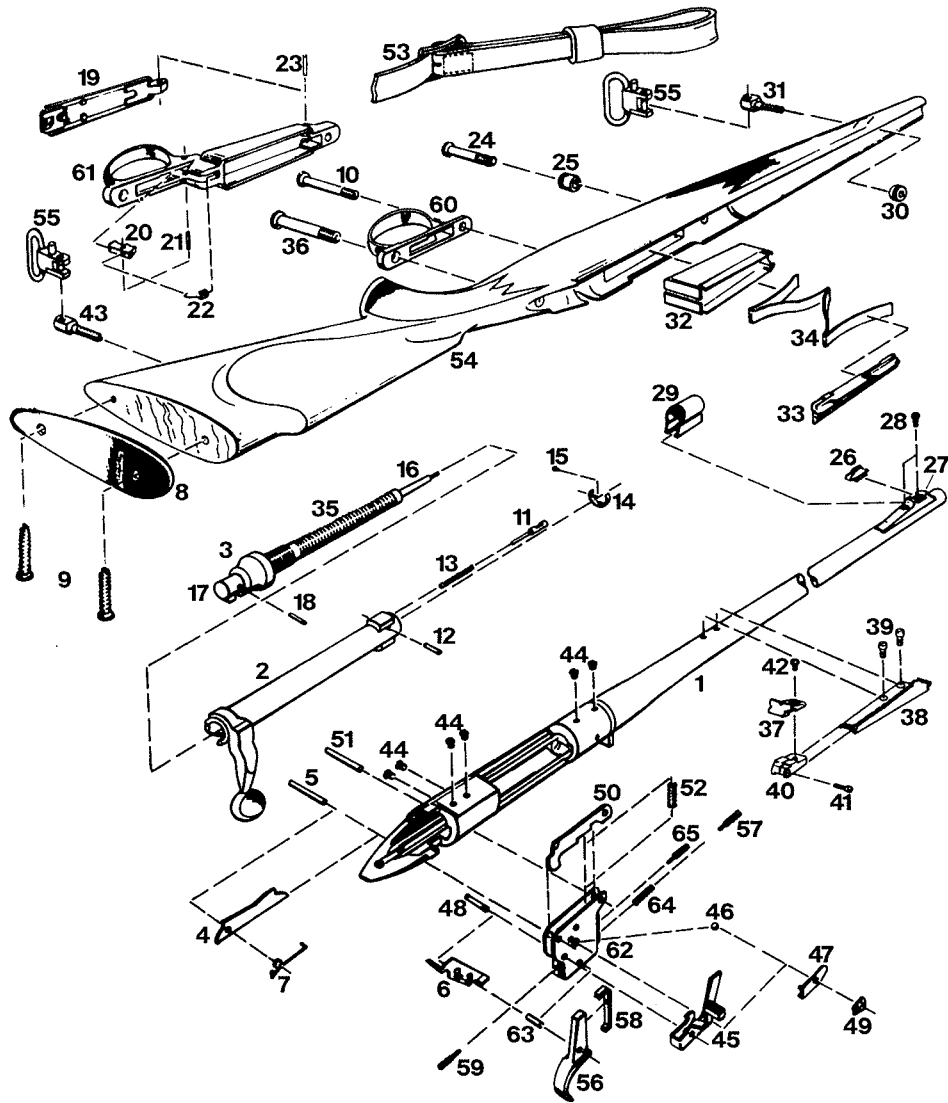
1	Barrel	19	Front Sight Assembly	37	Safety Detent Spring
2	Bolt Assembly	20	Magazine	38	Safety Pivot Pin
3	Bolt Plug	21	Magazine Follower	39	Safety Snap Washer
4	Bolt Stop	22	Magazine Housing Screw	40	Sear Safety Cam
5	Bolt Stop Pin	23	Magazine Spring	41	Sear Pins
6	Bolt Stop Spring	24	Mainspring	42	Sear Spring
7	Buttplate	25	Rear Guard Screw	43	Sight Screws
8	Buttplate Screws	26	Rear Sight Base	44	Sight Washers
9	Ejector	27	Rear Sight Elevation Screw	45	Stock
10	Ejector Pin	28	Rear Sight Eyepiece	46	Trigger
11	Ejector Spring	29	Rear Sight Leaf	47	Trigger Adjusting Screws
12	Extractor	30	Rear Sight Nut	48	Trigger Connector
13	Extractor Rivet	31	Rear Sight Windage Screw	49	Trigger Guard
14	Firing Pin	32	Receiver Plug Screws	50	Trigger Housing
15	Firing Pin Assembly	33	Rib	51	Trigger Pin
16	Firing Pin Cross Pin	34	Rib Screw	52	Trigger Spring
17	Firing Pin Head	35	Safety Assembly	53	Trigger Stop Screw
18	Front Guard Screw	36	Safety Detent Ball		

Model 700 New Model Bolt-Action Rifle



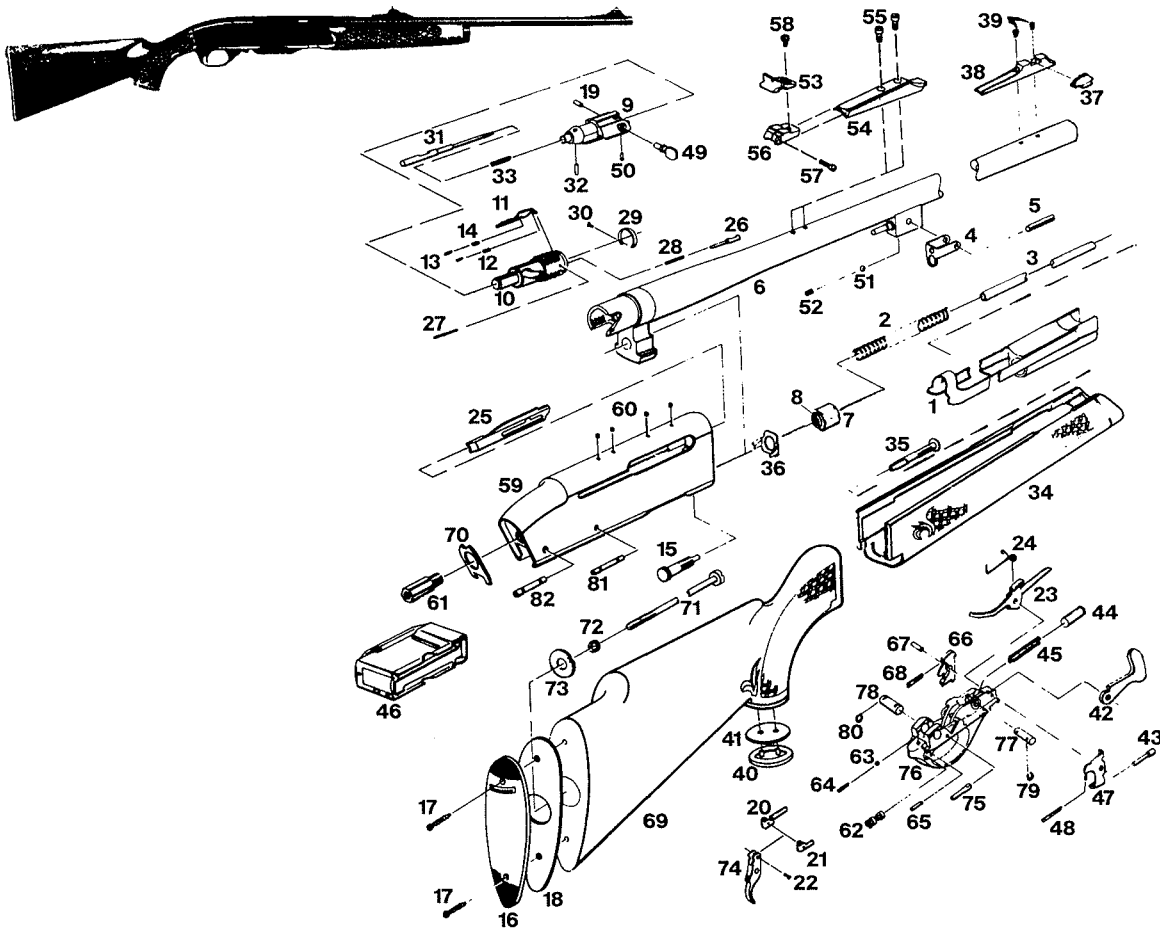
1	Barrel Assembly	20	Floorplate Latch Spring	39	Elevation Screw
2	Bolt Assembly	21	Floorplate Pivot Pin	40	Rear Swivel Screw
3	Bolt Plug	22	Front Guard Screw	41	Receiver Plug Screws
4	Bolt Stop	23	Front Guard Screw Bushing	42	Sear Pin
5	Bolt Stop Pin	24	Front Sight	43	Sling Strap Assembly
6	Bolt Stop Spring	25	Front Sight Ramp	44	Stock Assembly
7	Buttplate	26	Front Sight Ramp Screws	45	Swivel Assembly
8	Buttplate Spacer	27	Front Sight Hood	46	Trigger Assembly
9	Buttplate Screws	28	Front Swivel Bushing	47	Trigger Guard
10	Center Guard Screw	29	Front Swivel Screw	48	Trigger Guard Assembly
11	Ejector	30	Magazine	49	Windage Screw
12	Ejector Pin	31	Magazine Follower		Parts Not Shown
13	Ejector Spring	32	Magazine Spring		Grip Cap
14	Extractor	33	Mainspring		Grip Cap Screw
15	Firing Pin	34	Rear Guard Screw		Grip Cap Spacer
16	Firing Pin Assembly	35	Rear Sight Aperture		Magazine Tab Screw
17	Firing Pin Cross Pin	36	Rear Sight Base		Stock Reinforcing Screw
18	Floorplate Latch	37	Rear Sight Base Screws		Stock Reinforcing Screw Dowel
19	Floorplate Latch Pin	38	Rear Sight Slide		

Model 700 Old Style Bolt-Action Rifle



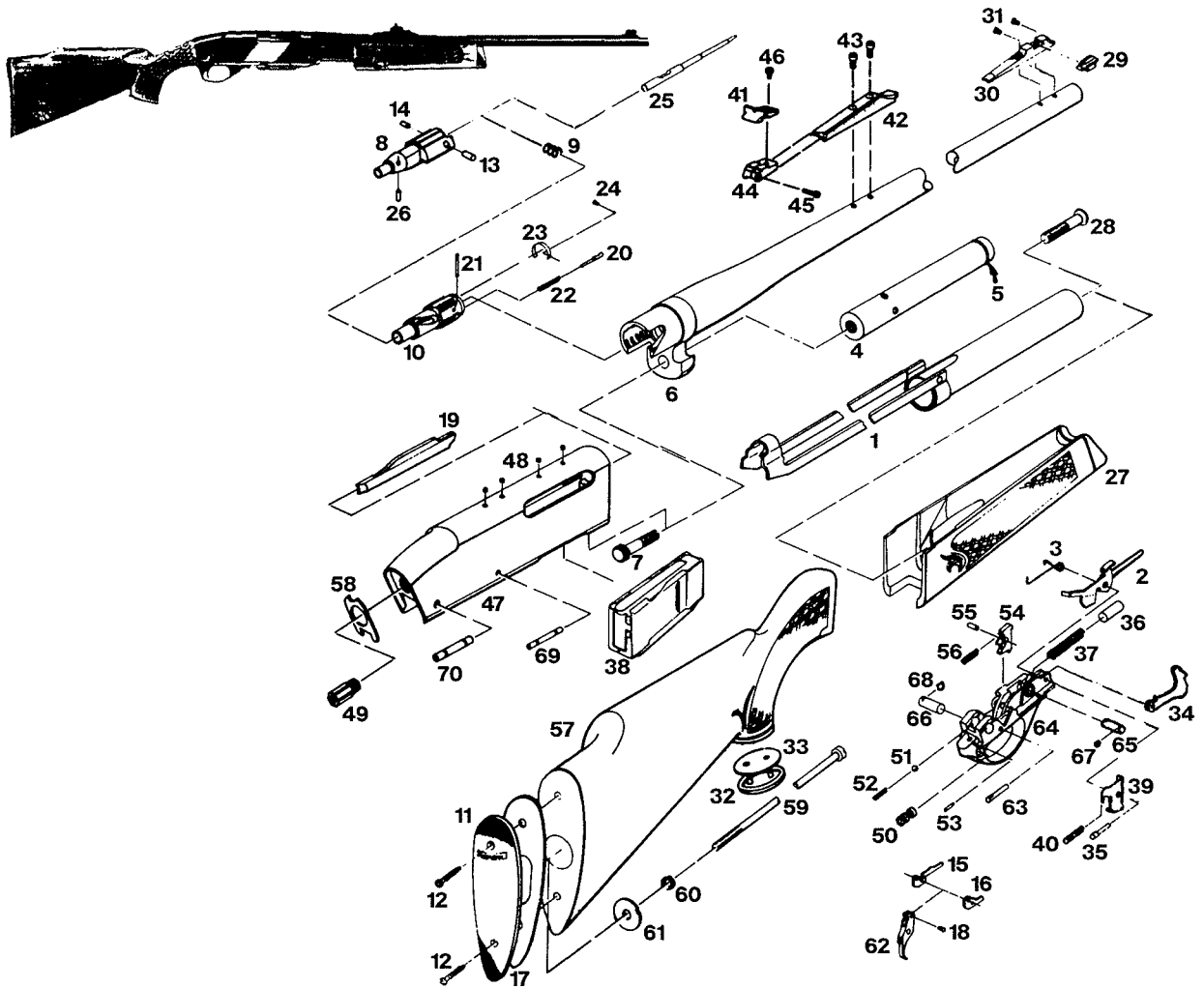
1	Barrel Assembly	23	Floorplate Pivot Pin	45	Safety Assembly
2	Bolt Assembly	24	Front Guard Screw	46	Safety Detent Ball
3	Bolt Plug	25	Front Guard Screw Bushing	47	Safety Detent Spring
4	Bolt Stop	26	Front Sight	48	Safety Pivot Pin
5	Bolt Stop Pin	27	Front Sight Ramp	49	Safety Snap Washer
6	Bolt Stop Release	28	Front Sight Ramp Screws	50	Sear Safety Cam
7	Bolt Stop Spring	29	Front Sight Hood	51	Sear Pin
8	Buttplate	30	Front Swivel Nut	52	Sear Spring
9	Buttplate Screws	31	Front Swivel Screw	53	Sling Strap Assembly
10	Center Guard Screw	32	Magazine	54	Stock
11	Ejector	33	Magazine Follower	55	Swivel Assembly
12	Ejector Pin	34	Magazine Spring	56	Trigger
13	Ejector Spring	35	Mainspring	57	Trigger Adjusting Screw
14	Extractor	36	Rear Guard Screw	58	Trigger Connector
15	Extractor Rivet	37	Rear Sight Aperture	59	Trigger Engagement Screw
16	Firing Pin	38	Rear Sight Base	60	Trigger Guard
17	Firing Pin Assembly	39	Rear Sight Base Screws	61	Trigger Guard (BDL)
18	Firing Pin Cross Pin	40	Rear Sight Slide	62	Trigger Housing Assembly
19	Floorplate	41	Elevation Screw	63	Trigger Pin
20	Floorplate Latch	42	Windage Screw	64	Trigger Spring
21	Floorplate Latch Pin	43	Rear Swivel Screw	65	Trigger Stop Screw
22	Floorplate Latch Spring	44	Receiver Plug Screws		

Model 742 Autoloading Rifle



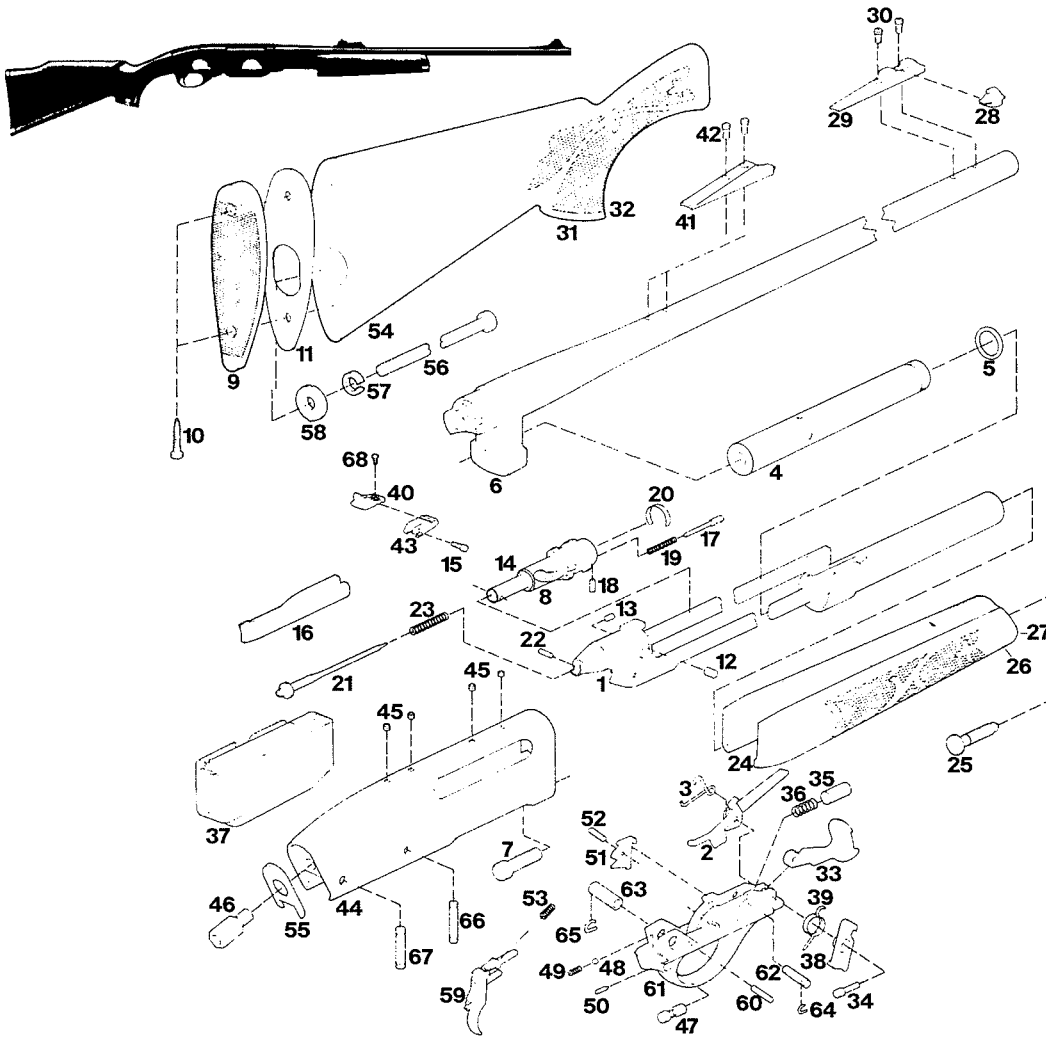
1	Action Bar Assembly	29	Extractor	57	Elevation Screw
2	Action Spring	30	Extractor Rivet	58	Windage Screw
3	Action Tube	31	Firing Pin	59	Receiver Assembly
4	Action Tube Support	32	Firing Pin Retaining Pin	60	Receiver Plug Screws
5	Action Tube Support Pin	33	Firing Pin Retractor Spring	61	Receiver Stud
6	Barrel Assembly	34	Forend Assembly	62	Safety
7	Barrel Takedown Nut	35	Forend Screw	63	Safety Detent Ball
8	Barrel Takedown Nut Washer	36	Forend Spring	64	Safety Spring
9	Bolt Carrier	37	Front Sight	65	Safety Spring Retaining Pin
10	Breechbolt Assembly	38	Front Sight Ramp	66	Sear
11	Bolt Latch	39	Front Sight Ramp Screws	67	Sear Pin
12	Bolt Latch Pivot	40	Grip Cap	68	Sear Spring
13	Bolt Latch Springs	41	Grip Cap Spacer	69	Stock
14	Bolt Latch Spring Plunger	42	Hammer	70	Stock Bearing Plate
15	Breech Ring Bolt	43	Hammer Pin	71	Stock Bolt
16	Buttplate	44	Hammer Plunger	72	Stock Bolt Lock Washer
17	Buttplate Screws	45	Hammer Spring	73	Stock Bolt Washer
18	Buttplate Spacer	46	Magazine Assembly	74	Trigger
19	Cam Pin	47	Magazine Latch	75	Trigger Pin
20	Connector, Left	48	Magazine Latch Spring	76	Trigger Plate
21	Connector, Right	49	Operating Handle	77	Trigger Plate Pin Bushing, Front
22	Connector Pin	50	Operating Handle Retaining Pin	78	Trigger Plate Pin Bushing, Rear
23	Disconnecter	51	Orifice Ball	79	Trigger Plate Pin Detent Spring, Front
24	Disconnecter Spring	52	Orifice Screw	80	Trigger Plate Pin Detent Spring, Rear
25	Ejector Port Cover	53	Rear Sight Aperture	81	Trigger Plate Pin, Front
26	Ejector	54	Rear Sight Base	82	Trigger Plate Pin, Rear
27	Ejector Retaining Pin	55	Rear Sight Base Screws		
28	Ejector Spring	56	Rear Sight Slide		

Model 760 Slide-Action Rifle



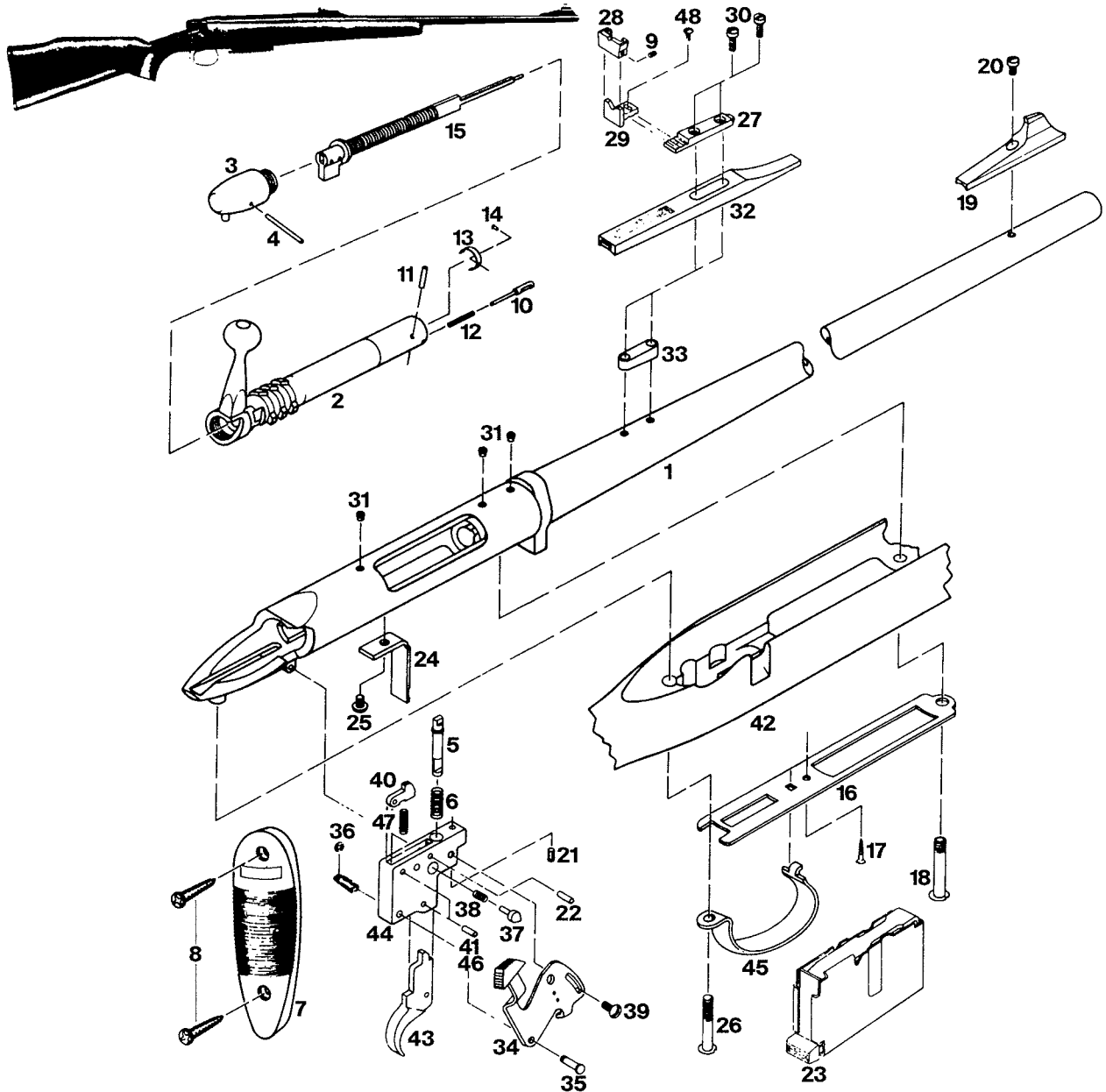
1	Action Bar Assembly	25	Firing Pin	49	Receiver Stud
2	Action Bar Lock	26	Firing Pin Retaining Pin	50	Safety
3	Action Bar Lock Spring	27	Forend Assembly	51	Safety Detent Ball
4	Action Tube Assembly	28	Forend Cap Screw	52	Safety Spring
5	Action Tube Ring	29	Front Sight	53	Safety Spring Retaining Pin
6	Barrel Assembly	30	Front Sight Ramp	54	Sear
7	Barrel Bracket Bolt	31	Front Sight Ramp Screws	55	Sear Pin
8	Bolt Carrier	32	Grip Cap	56	Sear Spring
9	Bolt Carrier Spring	33	Grip Cap Spacer	57	Stock
10	Breechbolt Assembly	34	Hammer	58	Stock Bearing Plate
11	Buttplate	35	Hammer Pin	59	Stock Bolt
12	Buttplate Screws	36	Hammer Plunger	60	Stock Bolt Lock Washer
13	Cam Pin (Large)	37	Hammer Spring	61	Stock Bolt Washer
14	Cam Pin (Small)	38	Magazine Assembly	62	Trigger
15	Connector, Left	39	Magazine Latch	63	Trigger Pin
16	Connector, Right	40	Magazine Latch Spring	64	Trigger Plate
17	Buttplate Spacer	41	Rear Sight Aperture	65	Trigger Plate Pin Bushing, Front
18	Connector Pin	42	Rear Sight Base	66	Trigger Plate Pin Bushing, Rear
19	Ejection Port Cover	43	Rear Sight Base Screws	67	Trigger Plate Pin Detent Spring, Front
20	Ejector	44	Rear Sight Slide	68	Trigger Plate Pin Detent Spring, Rear
21	Ejector Retaining Pin	45	Elevation Screw	69	Trigger Plate Pin, Front
22	Ejector Spring	46	Windage Screw	70	Trigger Plate Pin, Rear
23	Extractor	47	Receiver Assembly		
24	Extractor Rivet	48	Receiver Plug Screws		

Model 7600 Slide-Action Rifle



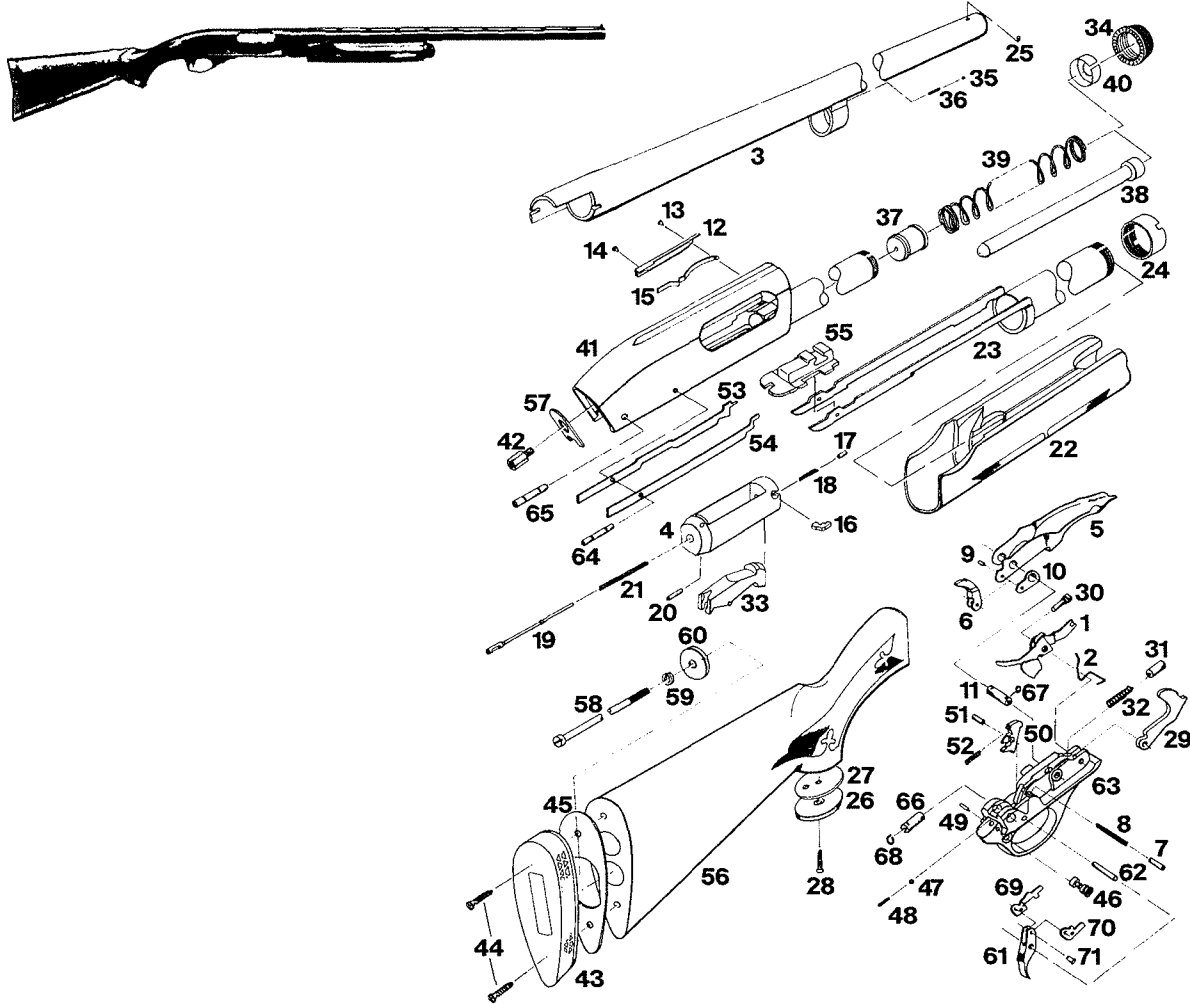
1	Action Bar Assembly	25	Forend Screw	49	Safety Switch Spring
2	Action Bar Lock	26	Forend Spacer	50	Safety Switch Spring Retaining Pin
3	Action Bar Lock Spring	27	Forend Tip	51	Sear
4	Action Tube Assembly	28	Front Sight	52	Sear Pin
5	Action Tube Ring	29	Front Sight Ramp	53	Sear Spring
6	Barrel Assembly	30	Front Sight Screws	54	Stock
7	Barrel Extension Bolt	31	Grip Cap	55	Stock Bearing Plate
8	Breechbolt	32	Grip Cap Spacer	56	Stock Bolt
9	Buttplate	33	Hammer	57	Stock Bolt Lock Washer
10	Buttplate Screws	34	Hammer Pin	58	Stock Bolt Washer
11	Buttplate Spacer	35	Hammer Plunger	59	Trigger Assembly
12	Cam Pin (Large)	36	Hammer Spring	60	Trigger Pin
13	Cam Pin (Small)	37	Magazine Assembly	61	Trigger Plate
14	Curve Spring Washer	38	Magazine Latch	62	Trigger Plate Pin Bushing, Front
15	Elevation Screw	39	Magazine Latch Spring	63	Trigger Plate Pin Bushing, Rear
16	Ejection Port Cover	40	Rear Sight Aperture	64	Trigger Plate Pin Detent
17	Ejector	41	Rear Sight Base		Spring, Front
18	Ejector Retaining Pin	42	Rear Sight Base Screws	65	Trigger Plate Pin Detent
19	Ejector Spring	43	Rear Sight Slide		Spring, Rear
20	Extractor	44	Receiver	66	Trigger Plate Pin, Front
21	Firing Pin	45	Receiver Plug Screws	67	Trigger Plate Pin, Rear
22	Firing Pin Retaining Pin	46	Receiver Stud	68	Windage Screw
23	Firing Pin Retractor Spring	47	Safety Switch		
24	Forend Assembly	48	Safety Switch Detent Ball		

Model 788 Bolt-Action Rifle



1	Barrel Assembly	18	Front Guard Screw	35	Safety Pivot Pin
2	Bolt Assembly	19	Front Sight	36	Safety Pivot Pin Retaining Washer
3	Bolt Plug	20	Front Sight Screw	37	Safety Plunger
4	Bolt Plug Pin	21	Housing Lock Screw	38	Safety Plunger Spring
5	Bolt Stop	22	Housing Pin	39	Safety Retaining Screw
6	Bolt Stop Spring	23	Magazine Assembly	40	Sear
7	Buttplate	24	Magazine Guide Bar	41	Sear Pin
8	Buttplate Screws	25	Magazine Guide Bar Screw	42	Stock Assembly
9	Elevation Screw	26	Rear Guard Screw	43	Trigger
10	Ejector	27	Rear Sight Base	44	Trigger Housing
11	Ejector Pin	28	Rear Sight Aperture	45	Trigger Guard
12	Ejector Spring	29	Rear Sight Leaf	46	Trigger Pin
13	Extractor	30	Rear Sight Screws	47	Trigger Spring
14	Extractor Rivet	31	Receiver Plug Screws	48	Windage Screw
15	Firing Pin Assembly	32	Rib (Rear Sight)		
16	Floorplate	33	Rib Spacer (Rear Sight)		
17	Floorplate Screw	34	Safety Assembly		

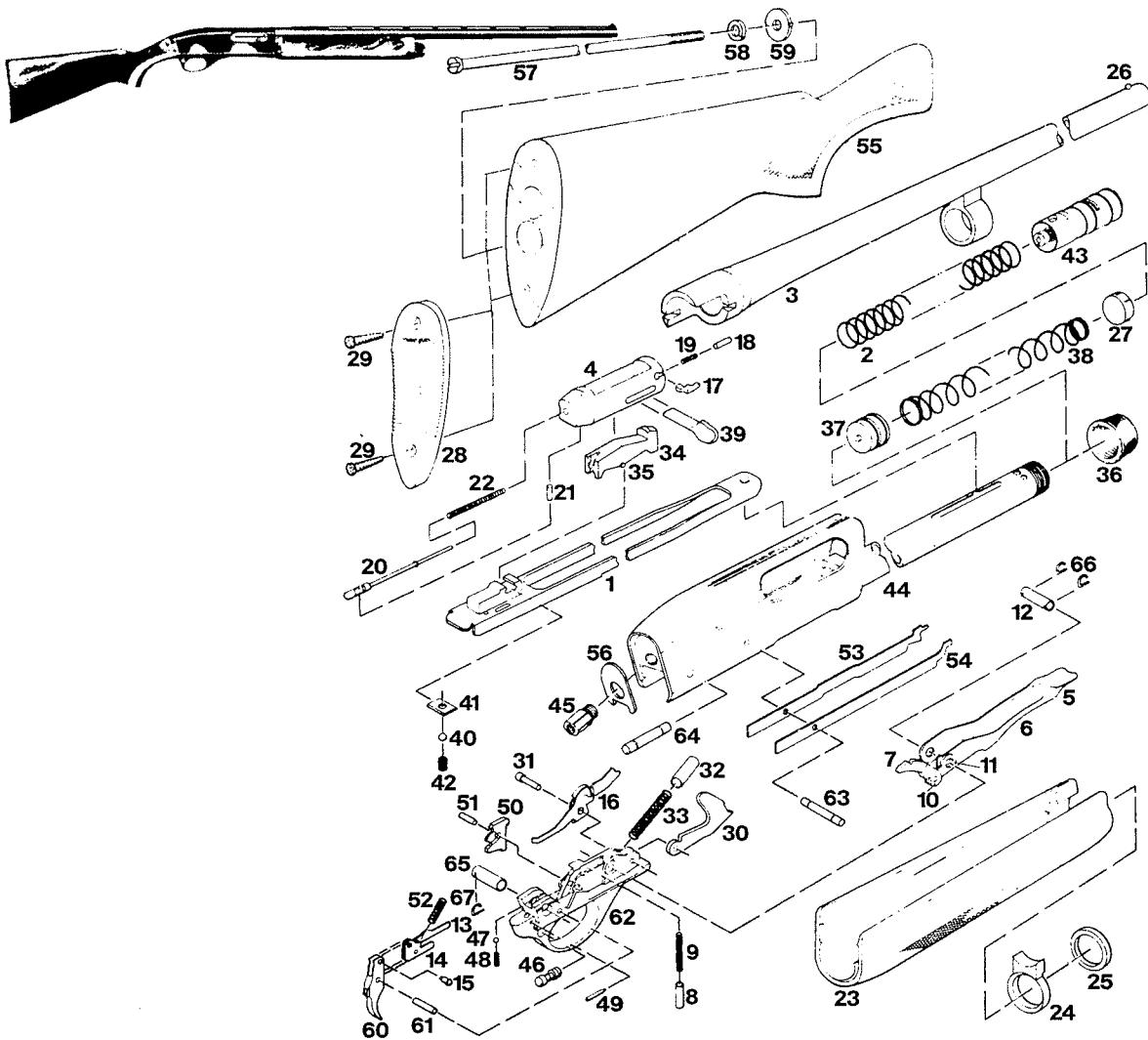
Model 870 Slide-Action Shotgun



- | | | | | | |
|----|-----------------------------|----|------------------------------------|----|---------------------------|
| 1 | Action Bar Lock | 27 | Grip Cap Spacer | 52 | Sear Spring |
| 2 | Action Bar Lock Spring | 28 | Grip Cap Screw | 53 | Shell Latch, Left |
| 3 | Barrel Assembly | 29 | Hammer | 54 | Shell Latch, Right |
| 4 | Breechbolt | 30 | Hammer Pin | 55 | Slide Assembly |
| 5 | Carrier | 31 | Hammer Plunger | 56 | Stock Assembly |
| 6 | Carrier Dog | 32 | Hammer Spring | 57 | Stock Bearing Plate |
| 7 | Carrier Dog Follower | 33 | Locking Block Assembly | 58 | Stock Bolt |
| 8 | Carrier Dog Follower Spring | 34 | Magazine Cap | 59 | Stock Bolt Lock Washer |
| 9 | Carrier Dog Pin | 35 | Magazine Cap Detent | 60 | Stock Bolt Washer |
| 10 | Carrier Dog Washer | 36 | Magazine Cap Detent Spring | 61 | Trigger Assembly |
| 11 | Carrier Pivot Tube | 37 | Magazine Follower | 62 | Trigger Pin |
| 12 | Ejector | 38 | Magazine Plug | 63 | Trigger Plate |
| 13 | Ejector Rivet, Front | 39 | Magazine Spring | 64 | Trigger Plate Pin, Front |
| 14 | Ejector Rivet, Rear | 40 | Magazine Spring Retainer | 65 | Trigger Plate Pin, Rear |
| 15 | Ejector Spring | 41 | Receiver Assembly | 66 | Trigger Plate Pin Bushing |
| 16 | Extractor | 42 | Receiver Stud | 67 | Trigger Plate Pin Detent |
| 17 | Extractor Plunger | 43 | Recoil Pad | 68 | Spring, Front |
| 18 | Extractor Spring | 44 | Recoil Pad Screws | 69 | Spring, Rear |
| 19 | Firing Pin | 45 | Recoil Pad Spacer | 70 | Connector, Left |
| 20 | Firing Pin Retaining Pin | 46 | Safety Switch | 71 | Connector, Right |
| 21 | Firing Pin Retractor Spring | 47 | Safety Switch Detent Ball | | |
| 22 | Forend Wood | 48 | Safety Switch Spring | | |
| 23 | Forend Tube Assembly | 49 | Safety Switch Spring Retaining Pin | | |
| 24 | Forend Tube Nut | 50 | Sear | | |
| 25 | Front Sight | 51 | Sear Pin | | |
| 26 | Grip Cap | | | | |

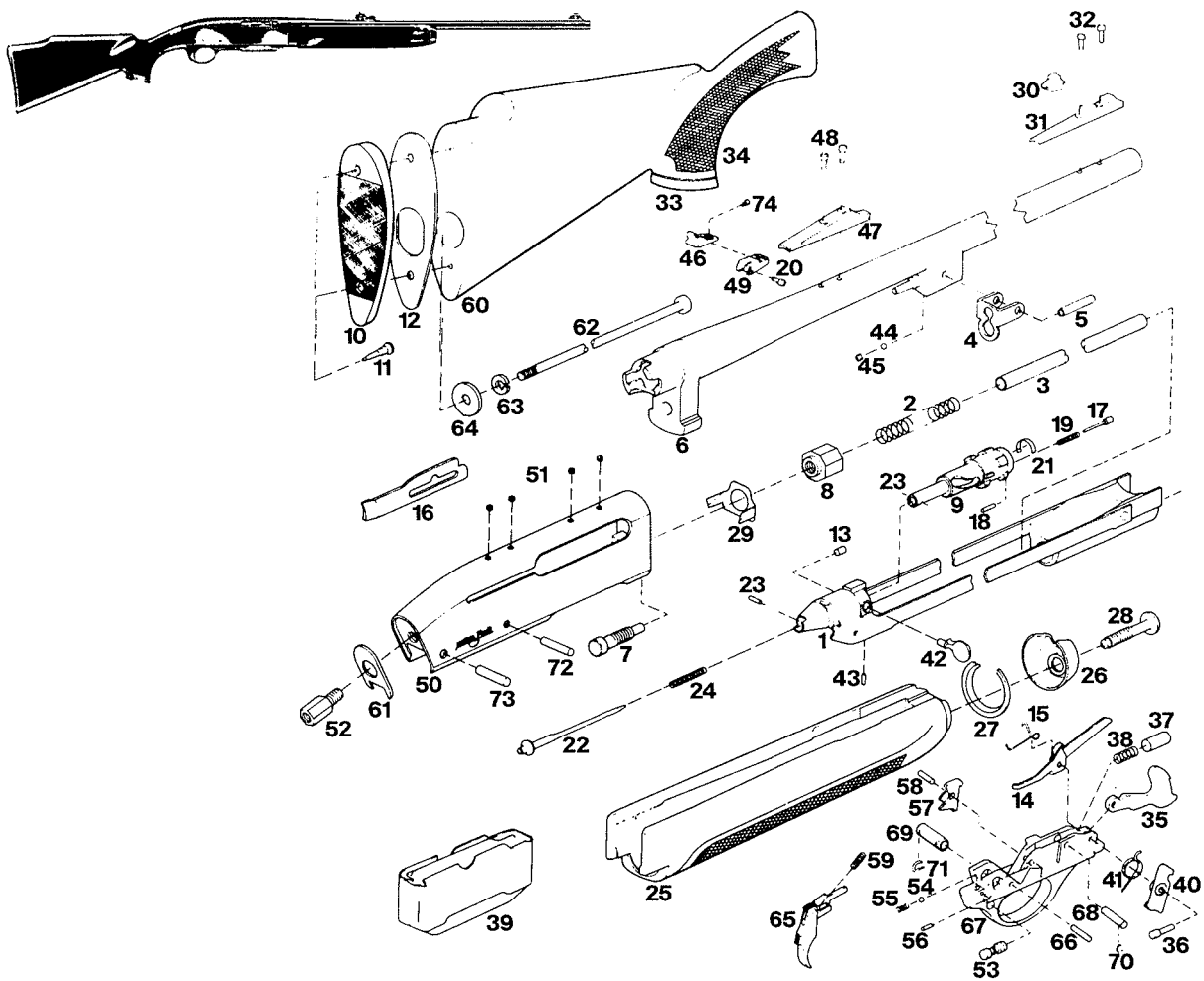
Parts Not Shown
 Hammer Pin Washer
 Locking Block Retainer

Model 878 Autoloading Shotgun



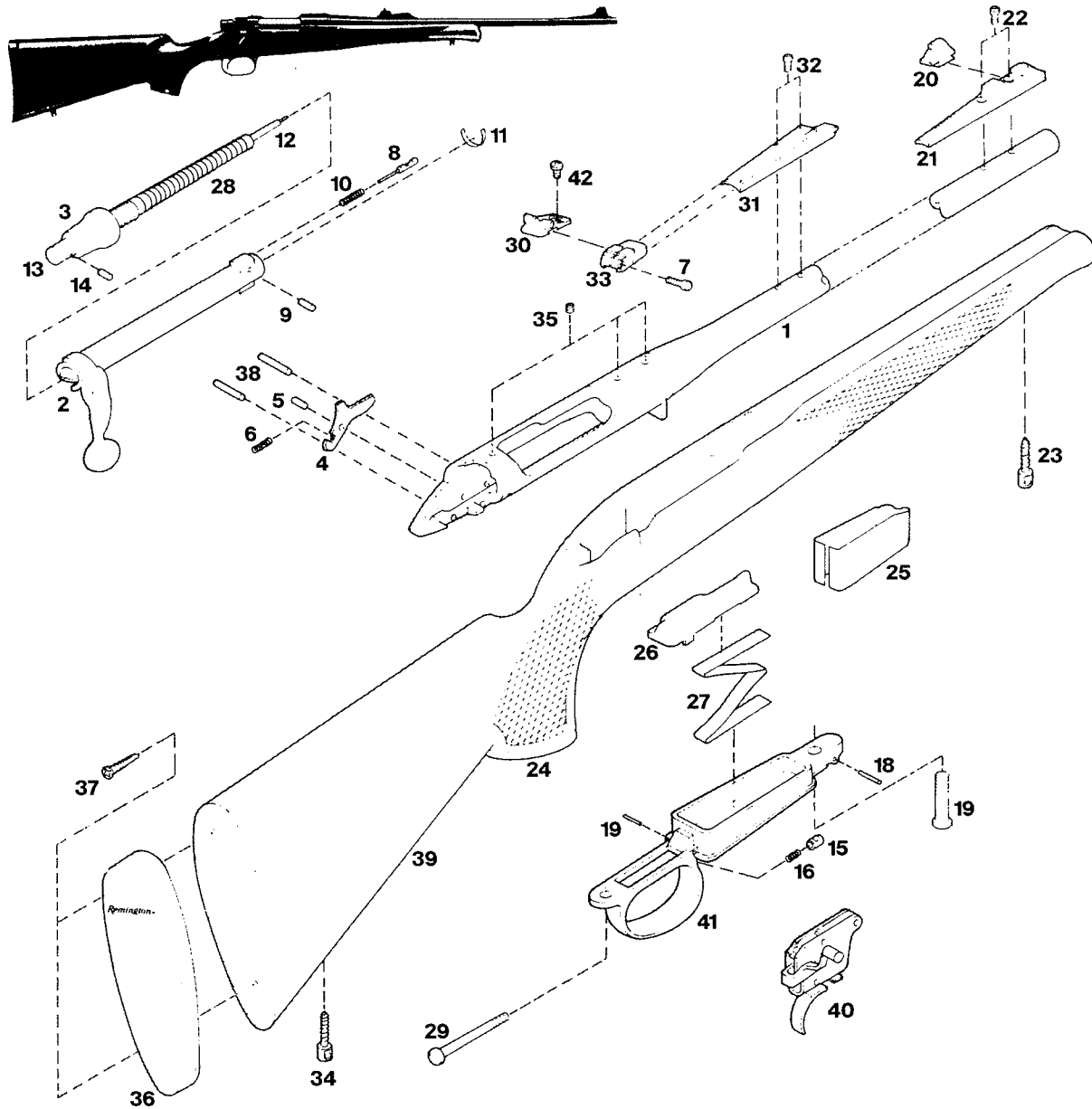
1	Action Bar Lock	24	Forend Ring	47	Safety Detent Ball
2	Action Spring	25	Forend Ring Washer	48	Safety Spring
3	Barrel	26	Front Sight	49	Safety Spring Retaining Pin
4	Breechbolt	27	Action Spring Stop	50	Sear
5	Carrier Assembly	28	Buttplate	51	Sear Pin
6	Carrier	29	Buttplate Screws	52	Sear Spring
7	Carrier Dog	30	Hammer	53	Shell Latch, Left
8	Carrier Dog Follower	31	Hammer Pin	54	Shell Latch, Right
9	Carrier Dog Follower Spring	32	Hammer Plunger	55	Stock
10	Carrier Dog Pin	33	Hammer Spring	56	Stock Bearing Plate
11	Carrier Dog Washer	34	Hammer Spring	57	Stock Bolt
12	Carrier Pivot Tube	35	Locking Block Assembly	58	Stock Bolt Lock Washer
13	Connector, Left	36	Magazine Cap	59	Stock Bolt Washer
14	Connector, Right	37	Magazine Follower	60	Trigger
15	Connector Pin	38	Magazine Spring	61	Trigger Pin
16	Disconnecter	39	Operating Handle	62	Trigger Plate
17	Extractor	40	Operating Handle Plunger	63	Trigger Plate Pin, Front
18	Extractor Plunger	41	Operating Handle Plunger Retainer	64	Trigger Plate Pin, Rear
19	Extractor Spring	42	Operating Handle Spring	65	Trigger Plate Pin Bushing
20	Firing Pin	43	Piston Assembly	66	Trigger Plate Pin Detent Springs, Front
21	Firing Pin Retaining Pin	44	Receiver	67	Trigger Plate Pin Detent Springs, Rear
22	Firing Pin Retractor Spring	45	Receiver Stud		
23	Forend	46	Safety		

Model Four Autoloading Rifle



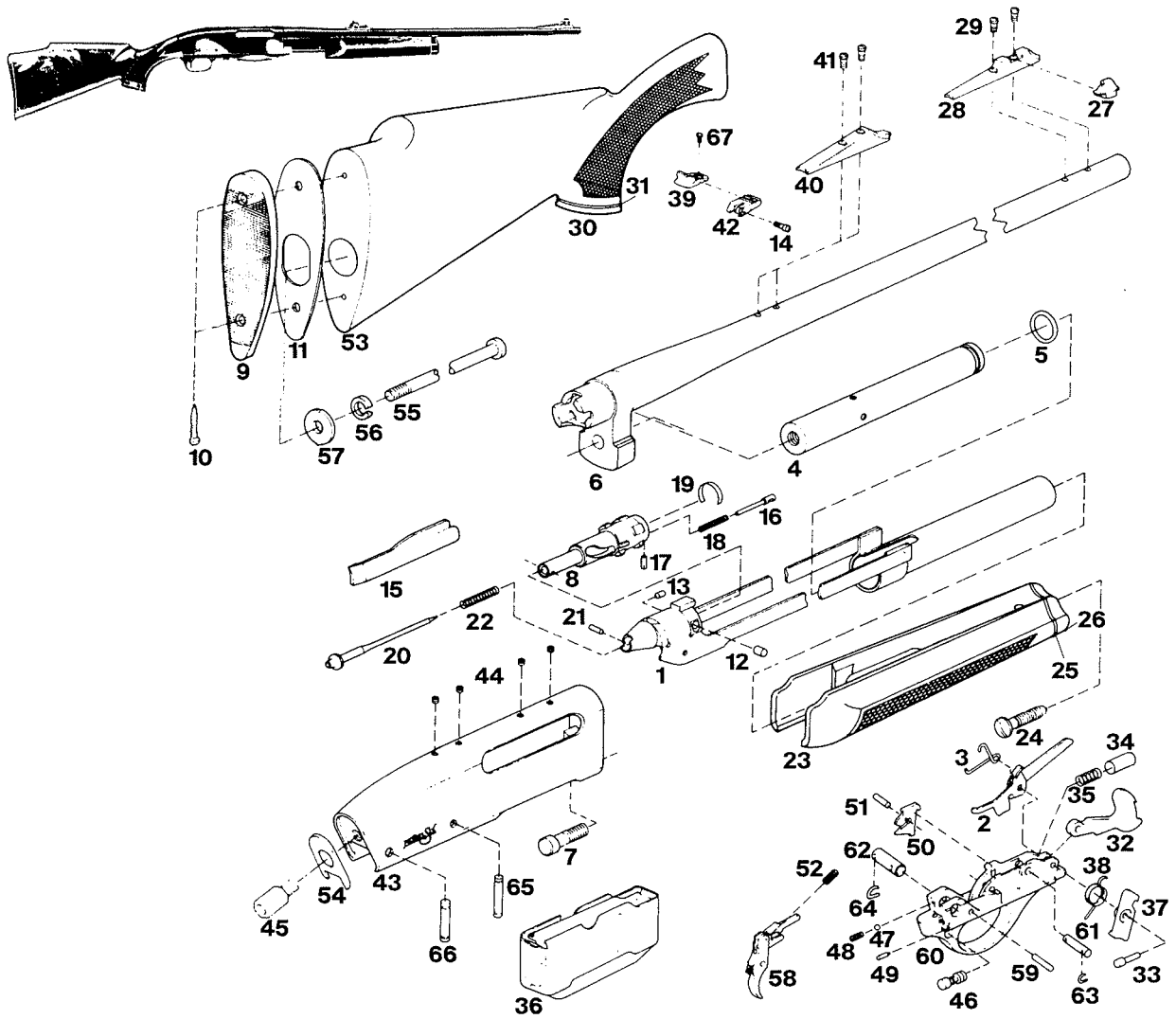
1	Action Bar Assembly	27	Forend Cap Spacer	53	Safety
2	Action Spring	28	Forend Screw	54	Safety Detent Ball
3	Action Tube	29	Forend Spring	55	Safety Spring
4	Action Tube Support	30	Front Sight	56	Safety Spring Retaining Pin
5	Action Tube Support Pin	31	Front Sight Ramp	57	Sear
6	Barrel Assembly	32	Front Sight Ramp Screws	58	Sear Pin
7	Barrel Extension Bolt	33	Grip Cap	59	Sear Spring
8	Barrel Takedown Nut	34	Grip Cap Spacer	60	Stock Assembly
9	Breechbolt	35	Hammer	61	Stock Bearing Plate
10	Buttplate	36	Hammer Pin	62	Stock Bolt
11	Buttplate Screw	37	Hammer Plunger	63	Stock Bolt Lock Washer
12	Buttplate Spacer	38	Hammer Spring	64	Stock Bolt Washer
13	Cam Pin	39	Magazine Assembly	65	Trigger Assembly
14	Disconnecter	40	Magazine Latch	66	Trigger Pin
15	Disconnecter Spring	41	Magazine Latch Spring	67	Trigger Plate
16	Ejection Port Cover	42	Operating Handle	68	Trigger Plate Pin Bushing, Front
17	Ejector	43	Operating Handle Retaining Pin	69	Trigger Plate Bushing, Rear
18	Ejector Retaining Pin	44	Orifice Ball	70	Trigger Plate Pin Detent Spring, Front
19	Ejector Spring	45	Orifice Screw	71	Trigger Plate Pin Detent Spring, Rear
20	Elevation Screw	46	Rear Sight Aperture	72	Trigger Plate Pin, Front
21	Extractor	47	Rear Sight Base	73	Trigger Plate Pin, Rear
22	Firing Pin	48	Rear Sight Base Screws	74	Windage Screw
23	Firing Pin Retaining Pins	49	Rear Sight Slides		
24	Firing Pin Retracting Pin	50	Receiver		
25	Forend Assembly	51	Receiver Plug Screws		
26	Forend Cap	52	Receiver Stud		

Model Seven Bolt-Action Rifle



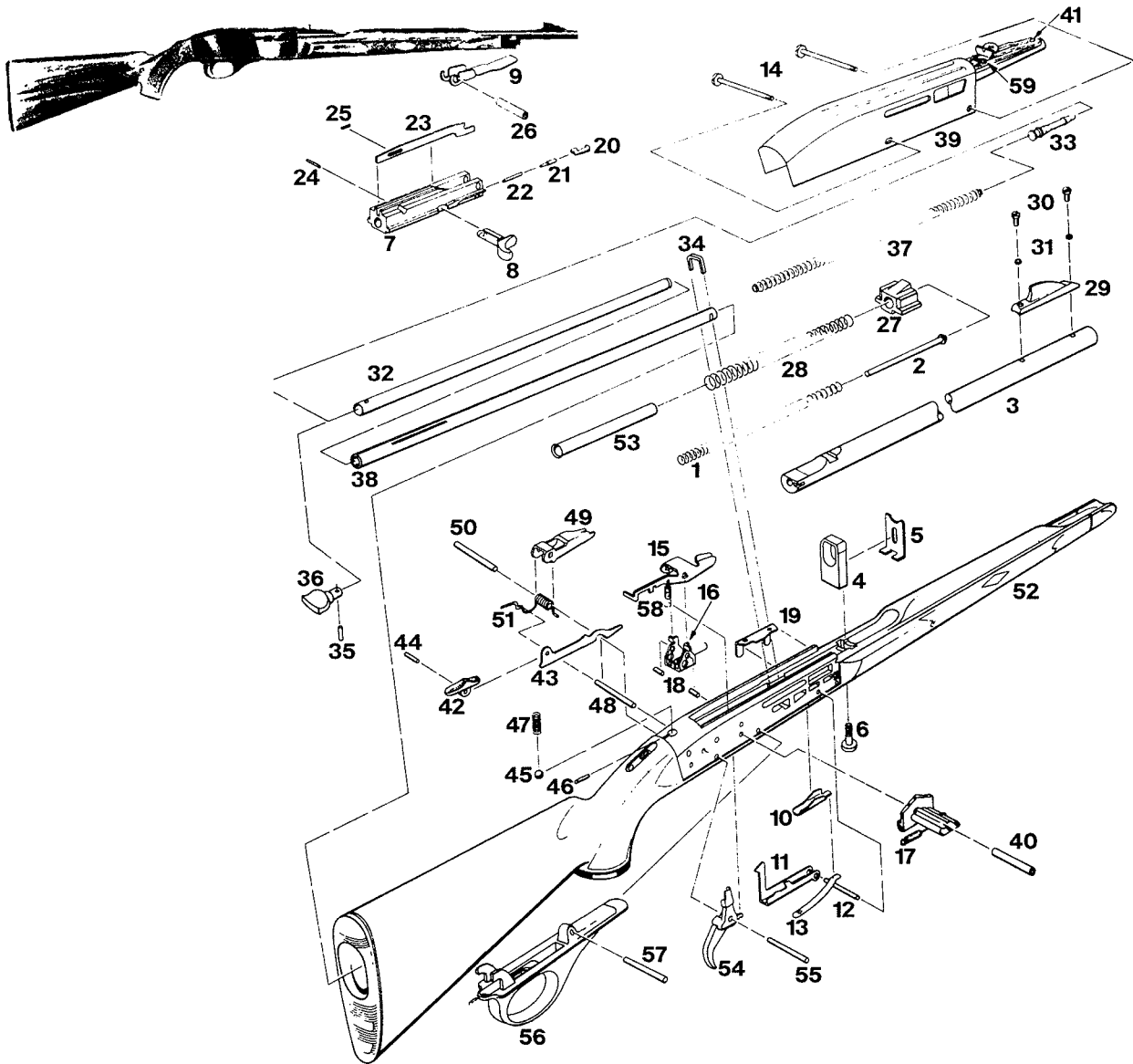
1	Barrel Assembly	17	Floorplate Latch Pin	33	Rear Sight Slide
2	Bolt Assembly	18	Floorplate Pivot Pin	34	Rear Swivel Screw
3	Bolt Plug	19	Front Guard Screw	35	Receiver Plug Screw
4	Bolt Stop	20	Front Sight	36	Recoil Pad
5	Bolt Stop Pin	21	Front Sight Ramp	37	Recoil Pad Screw
6	Bolt Stop Spring	22	Front Sight Ramp Screw	38	Sear Pins
7	Elevation Screw	23	Front Swivel Screw	39	Stock Assembly
8	Ejector	24	Grip Cap	40	Trigger Assembly
9	Ejector Pin	25	Magazine	41	Trigger Guard Assembly
10	Ejector Spring	26	Magazine Follower	42	Windage Screw
11	Extractor	27	Magazine Spring	Parts Not Shown	
12	Firing Pin	28	Mainspring		Grip Cap Insert
13	Firing Pin Assembly	29	Rear Guard Screw		Grip Cap Screw
14	Firing Pin Cross Pin	30	Rear Sight Aperture		Magazine Spacer
15	Floorplate Latch	31	Rear Sight Base		
16	Floorplate Latch Spring	32	Rear Sight Base Screw		

Model Six Autoloading Rifle



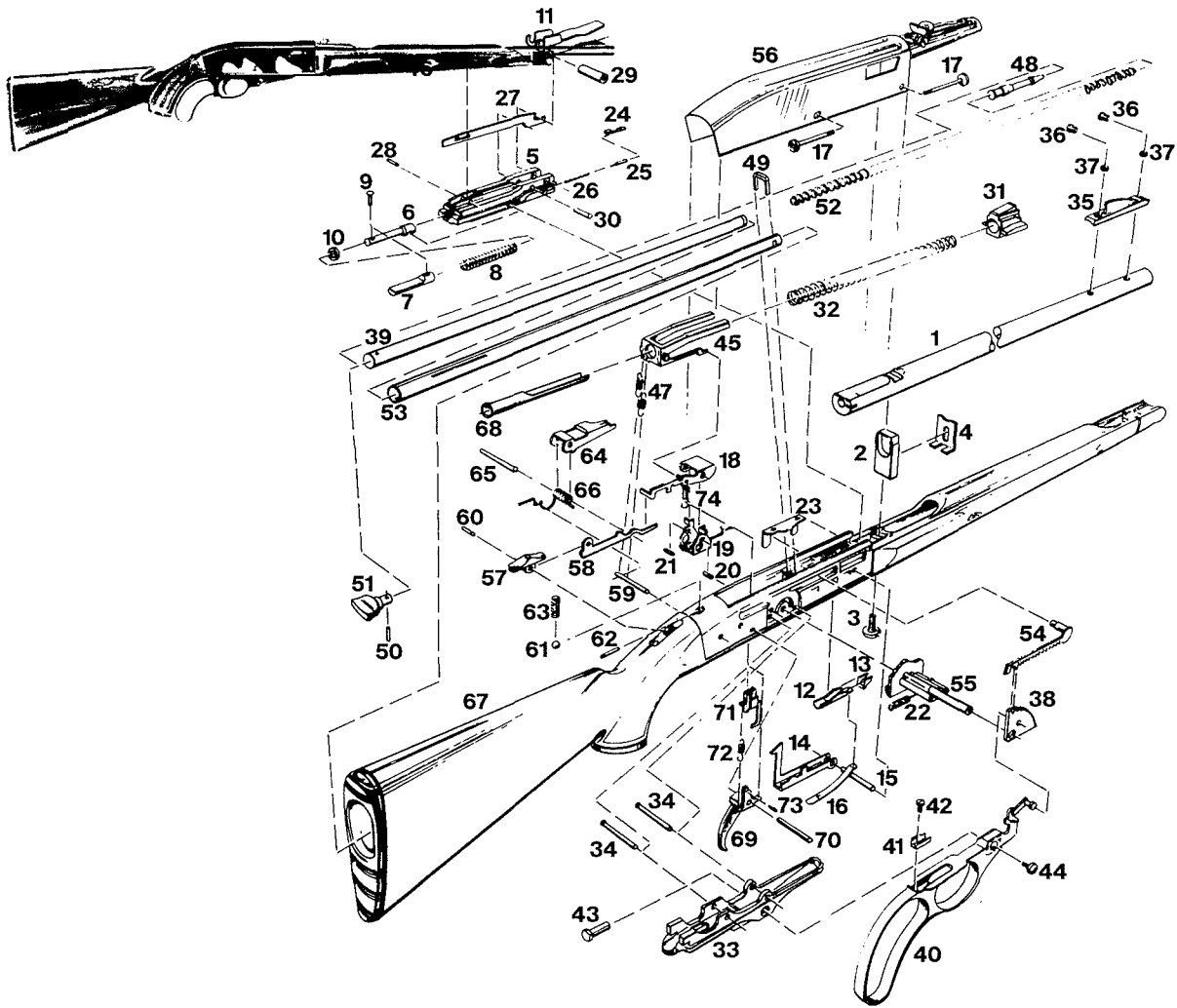
1	Action Bar Assembly	24	Forend Screw	47	Safety Detent Ball
2	Action Bar Lock	25	Forend Spacer	48	Safety Spring
3	Action Bar Lock Spring	26	Forend Tip	49	Safety Spring Retaining Pin
4	Action Tube Assembly	27	Front Sight	50	Sear
5	Action Tube Ring	28	Front Sight Ramp	51	Sear Pin
6	Barrel Assembly	29	Front Sight Screws	52	Sear Spring
7	Barrel Extension Bolt	30	Grip Cap	53	Stock
8	Breechbolt	31	Grip Cap Spacer	54	Stock Bearing Plate
9	Buttplate	32	Hammer	55	Stock Bolt
10	Buttplate Screws	33	Hammer Pin	56	Stock Bolt Lock Washer
11	Buttplate Spacer	34	Hammer Plunger	57	Stock Bolt Washer
12	Cam Pin, Large	35	Hammer Spring	58	Trigger Assembly
13	Cam Pin, Small	36	Magazine Assembly	59	Trigger Pin
14	Elevation Screw	37	Magazine Latch	60	Trigger Plate
15	Ejection Port Cover	38	Magazine Latch Spring	61	Trigger Plate Pin Bushing, Front
16	Ejector	39	Rear Sight Aperture	62	Trigger Plate Pin Bushing, Rear
17	Ejector Retaining Pin	40	Rear Sight Base	63	Trigger Plate Pin Detent Spring, Front
18	Ejector Spring	41	Rear Sight Base Screws	64	Trigger Plate Pin Detent Spring, Rear
19	Extractor	42	Rear Sight Slide	65	Trigger Assembly Pin, Front
20	Firing Pin	43	Receiver	66	Trigger Assembly Pin, Rear
21	Firing Pin Retaining Pin	44	Receiver Plug Screws	67	Windage Screw
22	Firing Pin Retractor Spring	45	Receiver Stud		
23	Forend Assembly	46	Safety		

Nylon 66 Autoloading Rifle



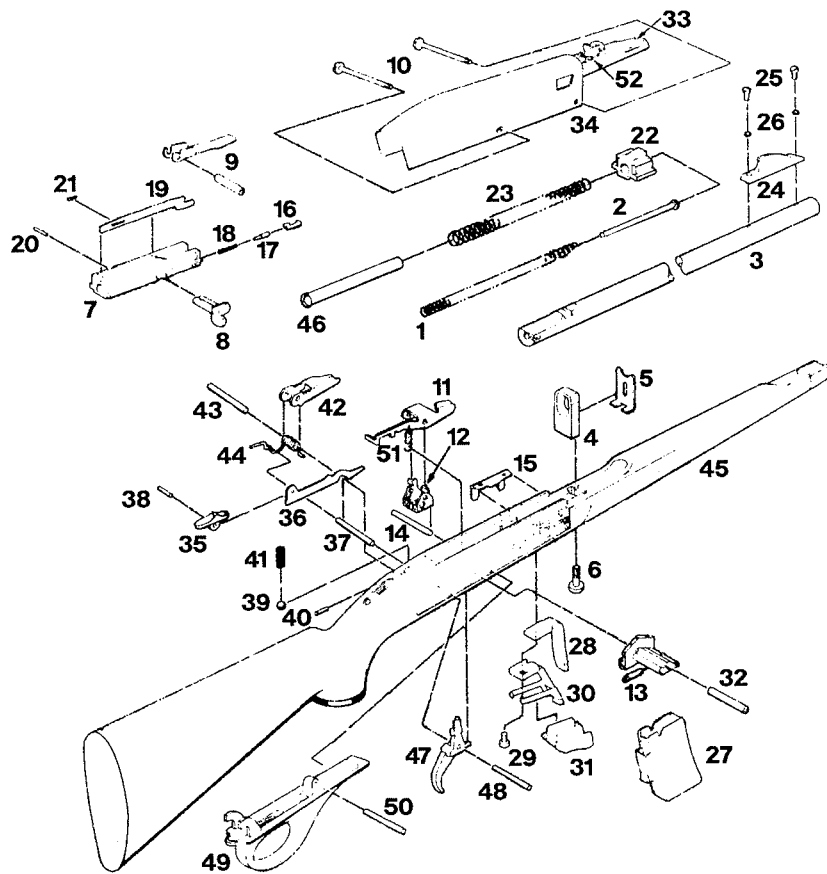
1	Action Spring	21	Extractor Plunger	41	Rear Sight Rivet
2	Action Spring Plunger	22	Extractor Spring	42	Safety
3	Barrel	23	Firing Pin	43	Safety-Lever
4	Barrel Bracket	24	Firing Pin Retaining Pin	44	Safety-Lever Pin
5	Barrel Support	25	Firing Pin Retractor Spring	45	Safety Detent Ball
6	Barrel Lock Screw	26	Firing Pin Stop Pin	46	Safety Detent Retaining Pin
7	Bolt	27	Firing Pin Striker	47	Safety Detent Spring
8	Bolt Handle	28	Firing Pin Striker Spring	48	Safety-Lever Cam Pin
9	Cartridge Feed Guide	29	Front Sight	49	Sear
10	Cartridge Feed Insert	30	Front Sight Screws	50	Sear Assembly Pin
11	Cartridge Stop	31	Front Sight Washers	51	Sear Spring
12	Cartridge Stop Pin	32	Inner Magazine Tube	52	Stock Assembly
13	Cartridge Stop Spring	33	Magazine Follower	53	Striker Spring Sleeve
14	Cover Screws	34	Magazine Lock	54	Trigger Complete
15	Disconnecter	35	Magazine Pin	55	Trigger Assembly Pin
16	Disconnecter Pivot	36	Magazine Plug	56	Trigger Guard
17	Disconnecter Pivot Spring	37	Magazine Spring	57	Trigger Guard Assembly Pin
18	Disconnecter Pivot Pins	38	Outer Magazine Tube	58	Trigger Spring
19	Ejector	39	Receiver Cover Assembly	59	Windage Screw
20	Extractor	40	Rear Cover Screw Bushing		

Nylon 76 Lever-Action Rifle



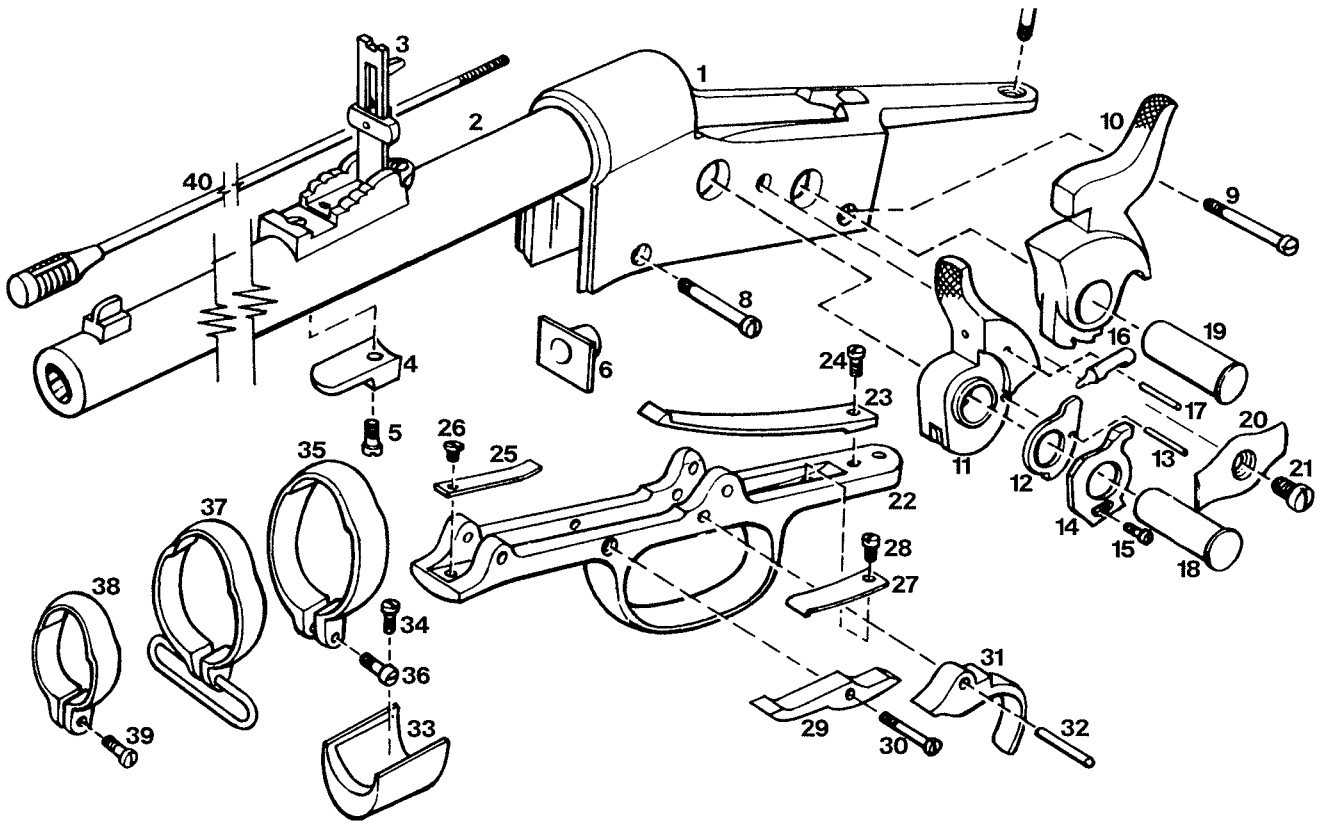
1	Barrel	26	Extractor Spring	51	Magazine Plug
2	Barrel Bracket	27	Firing Pin	52	Magazine Spring
3	Barrel Lock Screw	28	Firing Pin Retaining Pin	53	Outer Magazine Tube
4	Barrel Support	29	Firing Pin Stop Pin, Front	54	Rack
5	Bolt	30	Firing Pin Stop Pin, Rear	55	Rear Cover Screw Bushing
6	Bolt Push Rod	31	Firing Pin Striker	56	Receiver Cover Assembly
7	Bolt Push Rod Extension	32	Firing Pin Striker Spring	57	Safety
8	Bolt Push Rod Spring	33	Floorplate	58	Safety-Lever
9	Bolt Push Rod Stud	34	Floorplate Retaining Pins	59	Safety-Lever Cam Pin
10	Bolt Push Rod Washer	35	Front Sight	60	Safety-Lever Pin
11	Cartridge Feed Guide	36	Front Sight Screws	61	Safety Detent Ball
12	Cartridge Feed Insert	37	Front Sight Washers	62	Safety Detent Retaining Pin
13	Cartridge Feed Insert Spring	38	Gear	63	Safety Detent Spring
14	Cartridge Stop	39	Inner Magazine Tube	64	Sear
15	Cartridge Stop Pin	40	Lever Assembly	65	Sear Assembly Pin
16	Cartridge Stop Spring	41	Lever Latch	66	Sear Spring
17	Cover Screws	42	Lever Latch Screw	67	Stock Assembly
18	Disconnecter	43	Lever Pivot Bushing	68	Striker Spring Sleeve
19	Disconnecter Pivot	44	Lever Pivot Screw	69	Trigger
20	Disconnecter Pivot Pin, Right	45	Locking Bar	70	Trigger Assembly Pin
21	Disconnecter Pivot Pin, Left	46	Locking Bar Release Lever	71	Trigger Cap
22	Disconnecter Pivot Spring	47	Locking Bar Springs	72	Trigger Cap Spring
23	Ejector	48	Magazine Follower	73	Trigger Cap Retaining Pin
24	Extractor	49	Magazine Lock	74	Trigger Spring
25	Extractor Plunger	50	Magazine Pin		

Nylon 77 Autoloading Rifle



1	Action Spring	27	Magazine Assembly
2	Action Spring Plunger	28	Magazine Guide
3	Barrel	29	Magazine Guide Screw
4	Barrel Bracket	30	Magazine Latch
5	Barrel Support	31	Magazine Latch Thumb-Piece
6	Barrel Lock Screw	32	Rear Cover Screw Bushing
7	Bolt Sub-Assembly	33	Rear Sight Rivet
8	Bolt Handle	34	Receiver Cover
9	Cartridge Feed Guide	35	Safety
10	Cover Screws	36	Safety-Lever
11	Disconnecter	37	Safety-Lever Cam Pin
12	Disconnecter Pivot	38	Safety-Lever Pin
13	Disconnecter Pivot Spring	39	Safety Detent Ball
14	Disconnecter Pivot Pin	40	Safety Detent Retaining Pin
15	Ejector	41	Safety Detent Spring
16	Extractor	42	Sear
17	Extractor Plunger	43	Sear Assembly Pin
18	Extractor Spring	44	Sear Spring
19	Firing Pin	45	Stock Assembly
20	Firing Pin Retaining Pin	46	Striker Spring Sleeve
21	Firing Pin Retractor Spring	47	Trigger
22	Firing Pin Striker	48	Trigger Assembly Pin
23	Firing Pin Striker Spring	49	Trigger Guard
24	Front Sight	50	Trigger Guard Assembly Pin
25	Front Sight Screws	51	Trigger Spring
26	Front Sight Washers	52	Windage Screw

Rolling Block Rifle

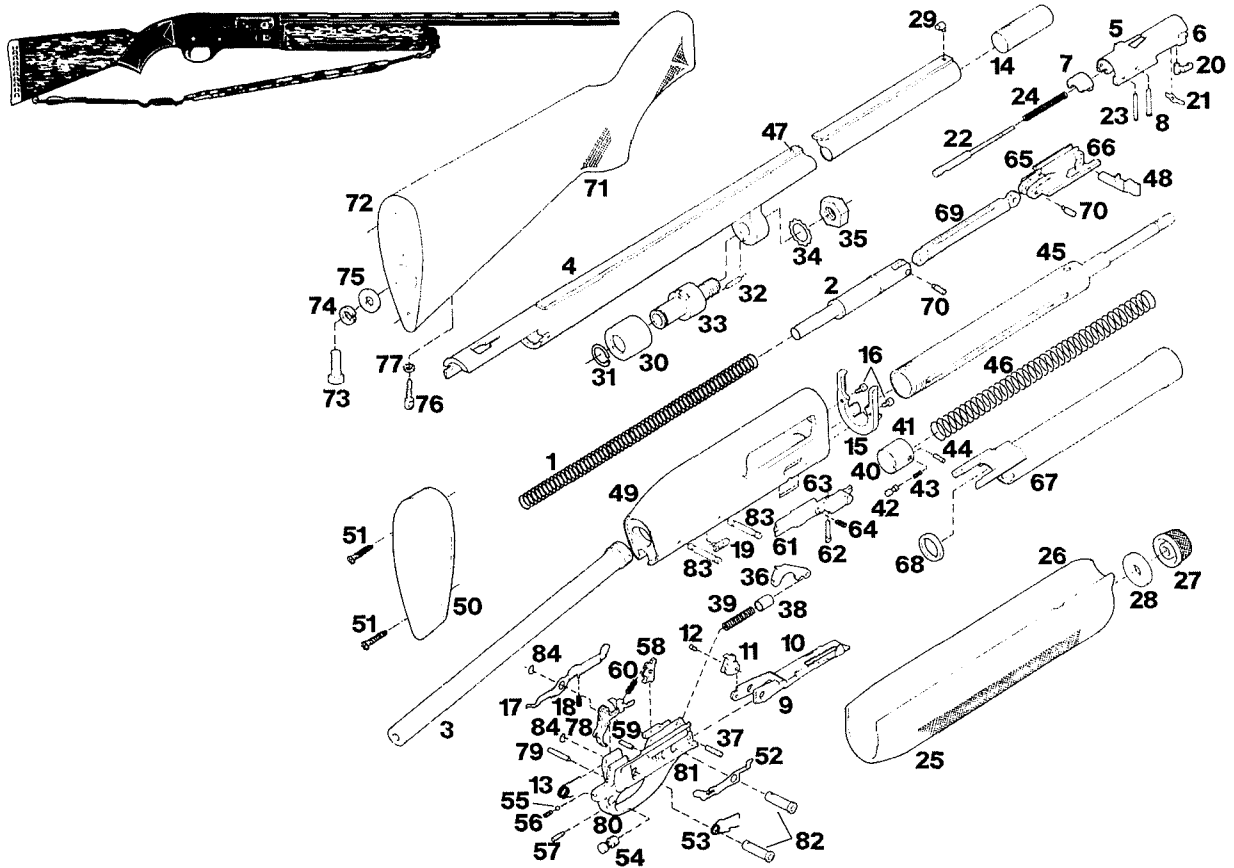


1	Receiver	25	Lever Spring
2	Barrel	26	Lever Spring Screw
3	Rear Sight	27	Trigger Spring
4	Recoil Stud	28	Trigger Spring Screw
5	Recoil Stud Screw	29	Locking Lever
6	Ramrod Stop	30	Locking Lever Screw
7	Tang Screw	31	Trigger
8	Front Guard Plate Screw	32	Trigger Pin
9	Rear Guard Plate Screw	33	Stock Tip
10	Hammer	34	Stock Tip Screw
11	Breechblock	35	Rear Band
12	Firing Pin Retractor	36	Rear Band Screw
13	Retractor Pin	37	Middle Band and Screw
14	Extractor	38	Front Band
15	Extractor Screw	39	Front Band Screw
16	Firing Pin	40	Ramrod
17	Firing Pin Limit Pin		
18	Breechblock Pin		
19	Hammer Pin		
20	Button		
21	Button Screw		
22	Guard Plate		
23	Mainspring		
24	Mainspring Screw		

Parts Not Shown

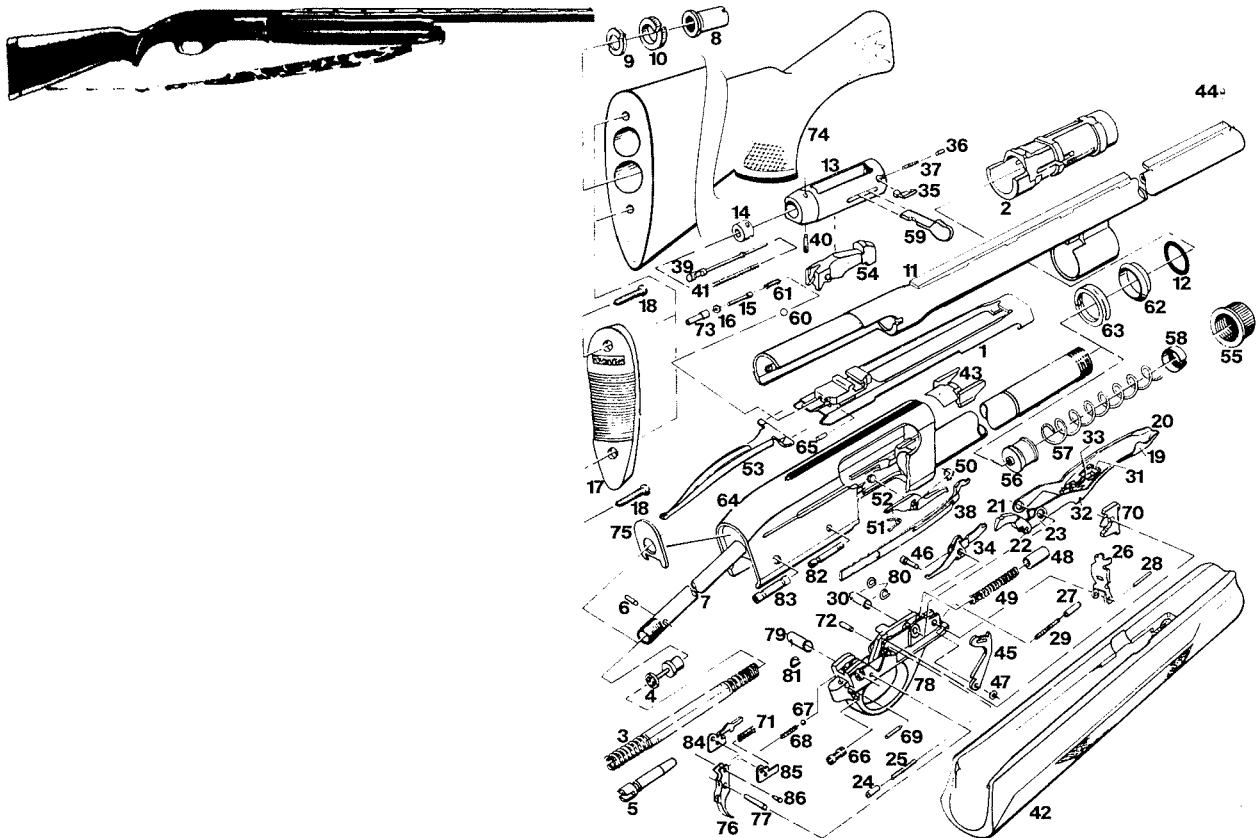
- Buttstock
- Buttplate
- Buttplate Screws
- Rear Stock Swivel
- Rear Stock Swivel Screws

SP-10 Magnum Autoloading Shotgun



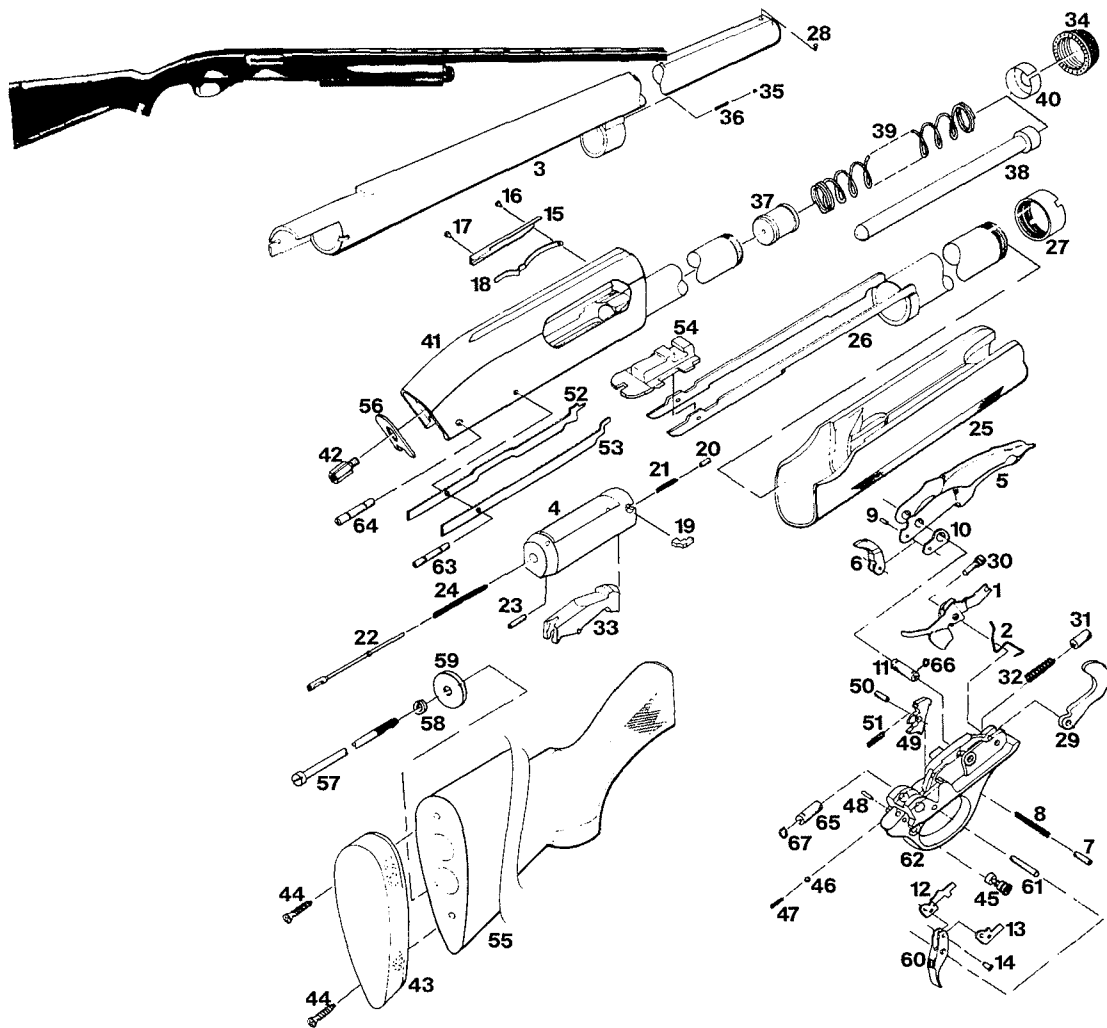
1	Action Spring	30	Gas Cylinder	57	Safety Switch Spring Retaining Pin
2	Action Spring Plunger	31	Gas Cylinder Retainer	58	Sear
3	Action Spring Tube Assembly	32	Gas Lug Pin	59	Sear Pivot Pin
4	Barrel Assembly	33	Gas Piston	60	Sear Spring
5	Bolt	34	Gas Piston Lock Washer	61	Shell Stop
6	Bolt Assembly	35	Gas Piston Nut	62	Shell Stop Pivot
7	Bolt Buffer	36	Hammer	63	Shell Stop Pivot Retainer
8	Bolt Cam Pin	37	Hammer Pivot Pin	64	Shell Stop Spring
9	Carrier	38	Hammer Plunger	65	Slide
10	Carrier Assembly	39	Hammer Spring	66	Slide Assembly
11	Carrier Dog	40	Magazine Follower	67	Slide Extension Assembly
12	Carrier Dog Pin	41	Magazine Follower Assembly	68	Slide Extension Buffer
13	Carrier Dog Spring	42	Magazine Follower Plunger	69	Slide Link
14	Choke Tube	43	Magazine Follower Plunger Spring	70	Slide Link Pivots
15	Collar	44	Magazine Follower Plunger Retaining Pin	71	Stock
16	Collar Screws	45	Magazine Tube Sub-Assembly	72	Stock Assembly
17	Disconnecter	46	Magazine Spring	73	Stock Bolt
18	Disconnecter Spring	47	Middle Sight	74	Stock Bolt Lock Washer
19	Ejector	48	Operating Handle	75	Stock Bolt Washer
20	Extractor	49	Receiver Sub-Assembly	76	Stock Swivel Screw
21	Extractor Retainer	50	Recoil Pad	77	Stock Swivel Screw Spacer
22	Firing Pin	51	Recoil Pad Screws	78	Trigger Assembly
23	Firing Pin Retaining Pin	52	Release Lever	79	Trigger Pivot Pin
24	Firing Pin Spring	53	Release Lever Spring	80	Trigger Plate Sub-Assembly
25	Forend	54	Safety Switch	81	Trigger Plate Assembly
26	Forend Assembly	55	Safety Switch Detent Ball	82	Trigger Plate Pin Bushings
27	Forend Cap Assembly	56	Safety Switch Spring	83	Trigger Plate Pins
28	Forend Washer			84	Trigger Plate Pin Detent Springs
29	Front Sight				

Sportsman 12 Autoloading Shotgun



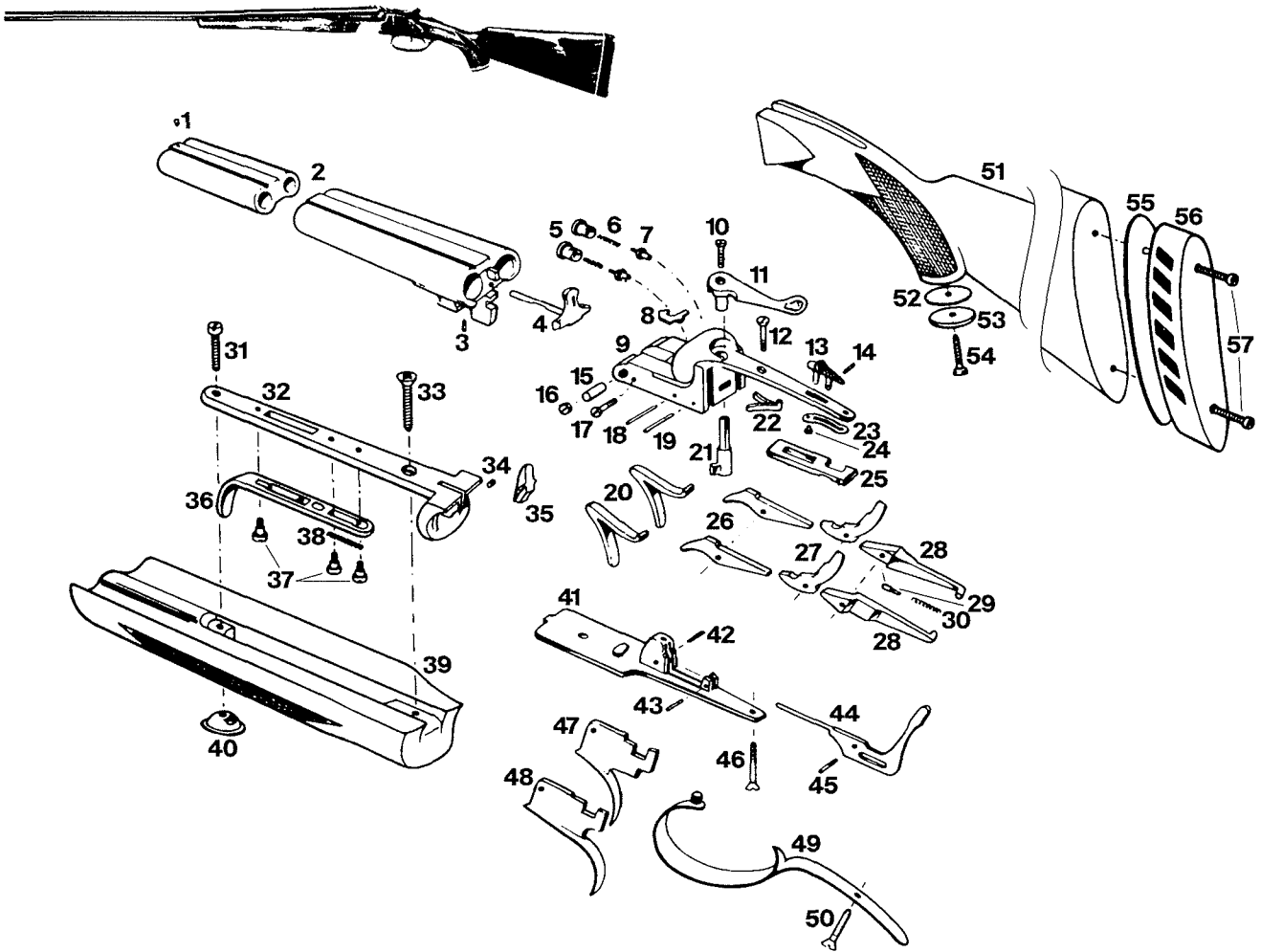
1	Action Bar Assembly	29	Carrier Latch Spring	60	Operating Handle Detent Ball
2	Action Bar Sleeve	30	Carrier Pivot Tube	61	Operating Handle Detent Spring
3	Action Spring	31	Carrier Release	62	Piston
4	Action Spring Follower	32	Carrier Release Pin	63	Piston Seal
5	Action Spring Plug	33	Carrier Release Spring	64	Receiver Assembly
6	Action Spring Plug Pin	34	Disconnecter	65	Return Plunger Retaining Pin
7	Action Spring Tube	35	Extractor	66	Safety Switch
8	Action Spring Tube Nut	36	Extractor Plunger	67	Safety Switch Detent Ball
9	Action Spring Tube Nut Washer	37	Extractor Spring	68	Safety Switch Spring
10	Action Spring Tube Nut Lock Washer	38	Feed Latch	69	Safety Switch Spring Retaining Pin
11	Barrel Assembly	39	Firing Pin	70	Sear
12	Barrel Seal	40	Firing Pin Retaining Pin	71	Sear Spring
13	Breechbolt	41	Firing Pin Retractor Spring	72	Sear Pin
14	Breechbolt Buffer	42	Forend Assembly	73	Slide Block Buffer
15	Breechbolt Return Plunger	43	Forend Support	74	Stock Assembly
16	Breechbolt Return Plunger Retaining Ring	44	Front Sight	75	Stock Bearing Plate
17	Buttplate	45	Hammer	76	Trigger Assembly
18	Buttplate Screws	46	Hammer Pin	77	Trigger Pin
19	Carrier	47	Hammer Pin Washer	78	Trigger Plate
20	Carrier Assembly	48	Hammer Plunger	79	Trigger Plate Pin Bushing, Rear
21	Carrier Dog	49	Hammer Spring	80	Trigger Plate Pin Detent Springs, Front
22	Carrier Dog Pin	50	Interceptor Latch Retainer	81	Trigger Plate Detent Spring, Rear
23	Carrier Dog Washer	51	Interceptor Latch Spring	82	Trigger Plate Pin, Front
24	Carrier Dog Follower	52	Interceptor Latch	83	Trigger Plate Pin, Rear
25	Carrier Dog Follower Spring	53	Link	84	Connector, Left
26	Carrier Latch	54	Locking Block Assembly	85	Connector, Right
27	Carrier Latch Follower	55	Magazine Cap	86	Connector Pin
28	Carrier Latch Pin	56	Magazine Follower		
		57	Magazine Spring		
		58	Magazine Spring Retainer		
		59	Operating Handle		
				Parts Not Shown	
				Magazine Plug	

Sportsman 12 Slide-Action Shotgun



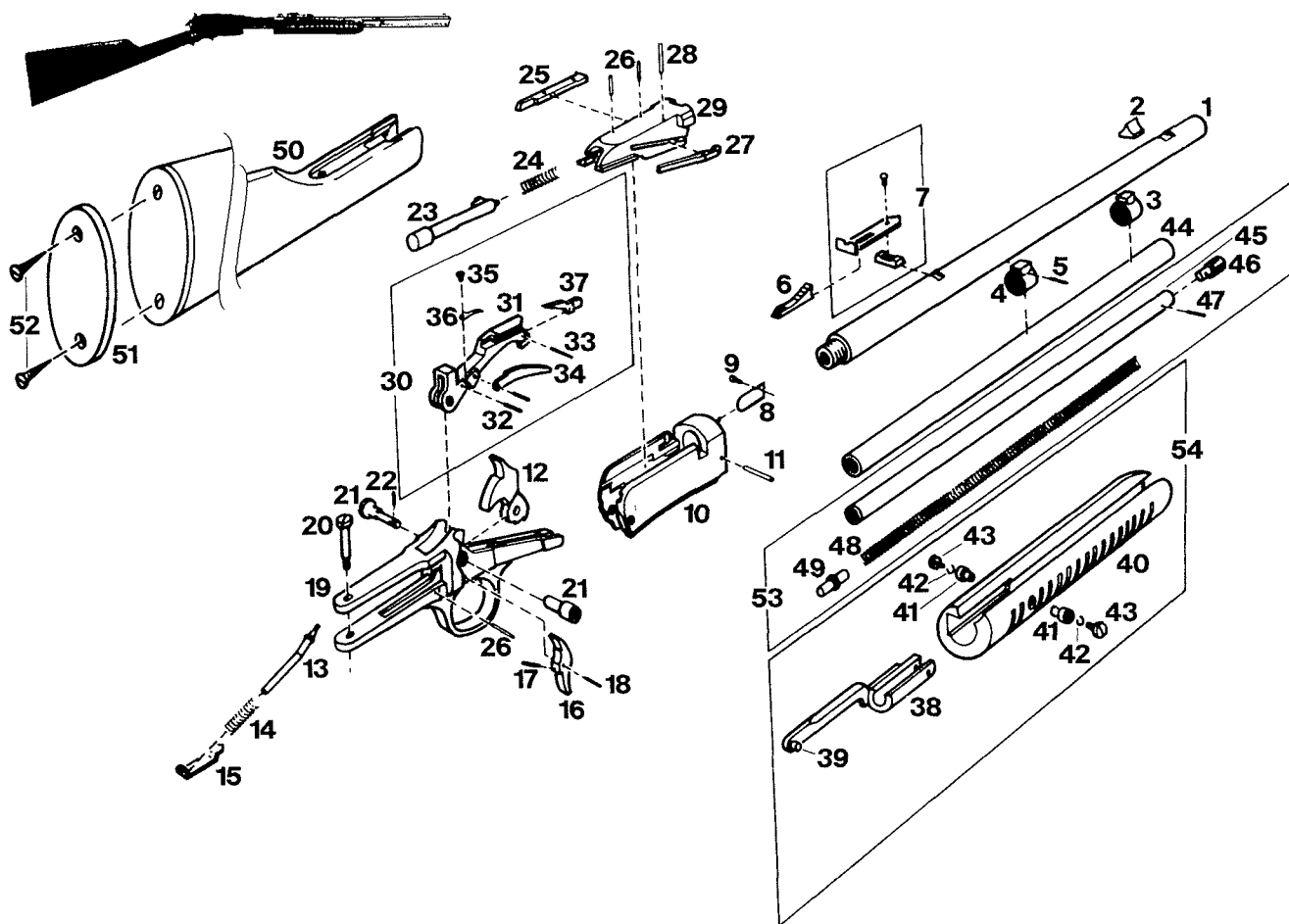
1	Action Bar Lock	25	Forend Assembly	49	Sear
2	Action Bar Lock Spring	26	Forend Tube Assembly	50	Sear Pin
3	Barrel Assembly	27	Forend Tube Nut	51	Sear Spring
4	Breechbolt	28	Front Sight Bead	52	Shell Latch, Left
5	Carrier	29	Hammer	53	Shell Latch, Right
6	Carrier Dog	30	Hammer Pin	54	Slide Assembly
7	Carrier Dog Follower	31	Hammer Plunger	55	Stock Assembly
8	Carrier Dog Follower Spring	32	Hammer Spring	56	Stock Bearing Plate
9	Carrier Dog Pin	33	Locking Block Assembly	57	Stock Bolt
10	Carrier Dog Washer	34	Magazine Cap	58	Stock Bolt Lock Washer
11	Carrier Pivot Tube	35	Magazine Cap Detent	59	Stock Bolt Washer
12	Connector, Left	36	Magazine Cap Detent Spring	60	Trigger
13	Connector, Right	37	Magazine Follower	61	Trigger Pin
14	Connector Pin	38	Magazine Plug	62	Trigger Plate
15	Ejector	39	Magazine Spring	63	Trigger Plate Pin, Front
16	Ejector Rivet, Front	40	Magazine Spring Retainer	64	Trigger Plate Pin, Rear
17	Ejector Rivet, Rear	41	Receiver Assembly	65	Trigger Plate Pin Bushing, Rear
18	Ejector Spring	42	Receiver Stud	66	Trigger Plate Pin Detent Spring, Front
19	Extractor	43	Recoil Pad	67	Trigger Plate Pin Detent Spring, Rear
20	Extractor Plunger	44	Recoil Pad Screws		
21	Extractor Spring	45	Safety Switch		
22	Firing Pin	46	Safety Switch Detent Ball		
23	Firing Pin Retaining Pin	47	Safety Switch Spring		
24	Firing Pin Retainer Spring	48	Safety Switch Spring Retaining Pin		
				Parts Not Shown	
					Hammer Pin Washer

Model 200, 202 and 711 Side-by-Side Shotgun



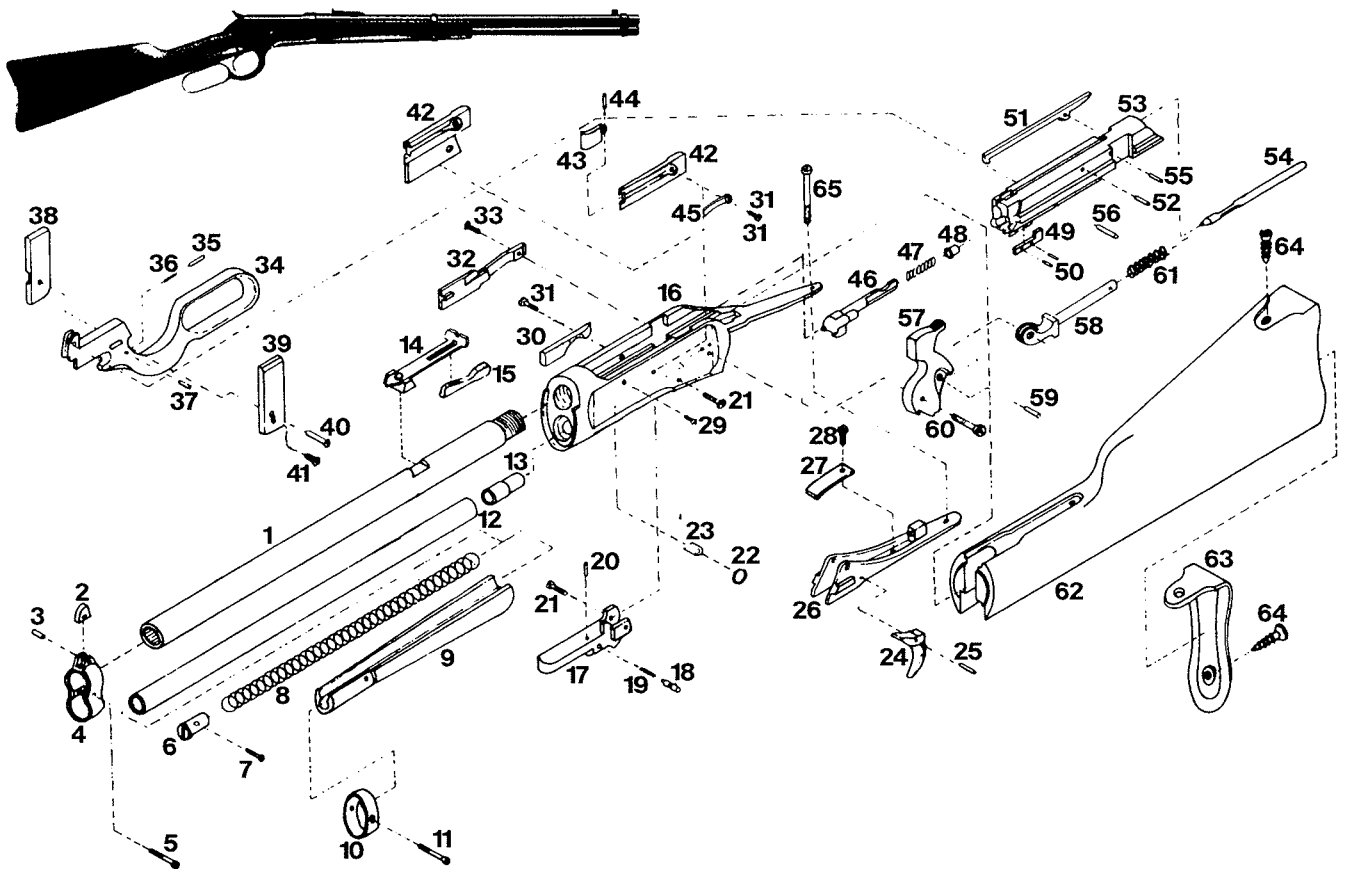
1	Front Sight Bead	20	Hammer Springs	39	Forend
2	Barrels	21	Vertical Bolt	40	Forend Pan
3	Extractor Retaining Screw	22	Top Lever Spring	41	Trigger Plate
4	Extractor	23	Safety Spring	42	Trigger Pin
5	Firing Pin Bushings	24	Safety Spring Screw	43	Safety Square Pin
6	Firing Pin Springs	25	Horizontal Bolt	44	Safety Activator
7	Firing Pins	26	Cocking Levers	45	Safety Activator Screw
8	Purdey Bolt	27	Hammers	46	Trigger Plate Screw, Rear
9	Receiver	28	Right and Left Sear	47	Right Trigger
10	Top Lever Screw	29	Sear Spring Guide	48	Left Trigger
11	Top Lever	30	Sear Spring	49	Trigger Guard
12	Upper Tang Screw	31	Forend Screw, Front	50	Trigger Guard Screw
13	Safety Button	32	Iron Forend	51	Buttstock
14	Safety Button Pin	33	Forend Screw, Rear	52	Pistol Grip Spacer
15	Hinge Bolt	34	Extractor Cam Screw	53	Pistol Grip Cap
16	Hinge Bolt Cover Screw	35	Extractor Cam	54	Pistol Grip Cap Screw
17	Cocking Lever Pivot Screw	36	Forend Catch	55	Stock Spacer
18	Hammer Pivot Pin	37	Forend Catch Screws	56	Recoil Pad
19	Sear Pivot Pin	38	Forend Catch Spring	57	Recoil Pad Screws

Models 59, 62SA and 62SAC Slide-Action Rifle



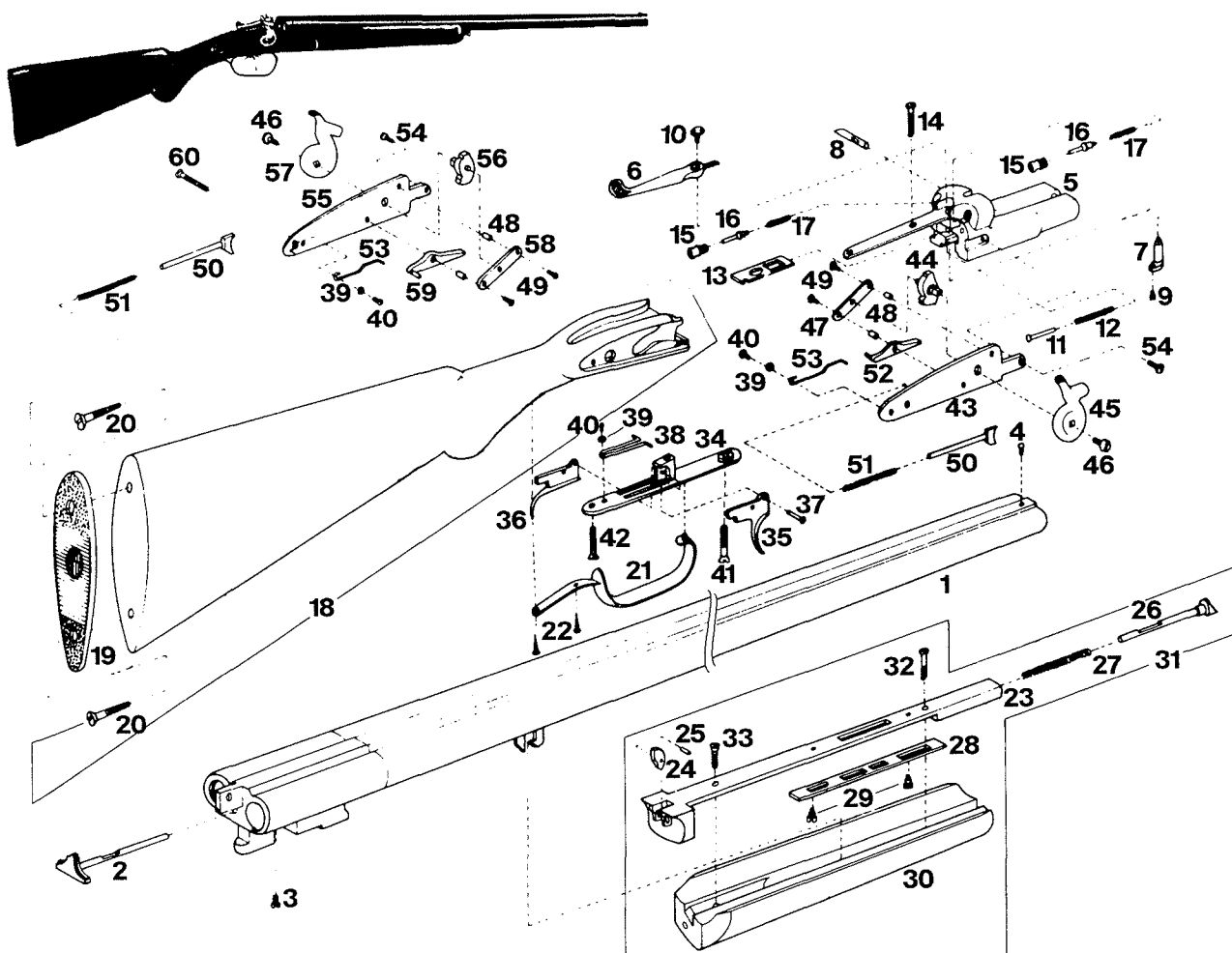
1	Barrel	19	Trigger Guard	37	Cartridge Stop
2	Front Sight	20	Tang Screw	38	Action Slide
3	Front Magazine Ring	21	Assembly Screw Bushing	39	Action Slide Stud
4	Rear Magazine Ring	22	Assembly Screw Stop Pin	40	Forend
5	Rear Magazine Ring Pin	23	Firing Pin	41	Forend Bushings
6	Elevator	24	Firing Pin Spring	42	Forend Pressure Washers
7	Rear Sight Assembly	25	Firing Pin Stop	43	Forend Screws
8	Sideplate	26	Firing Pin Stop Pins	44	Magazine Tube, Outside
9	Sideplate Screw	27	Extractor	45	Magazine Tube, Inside
10	Receiver	28	Extractor Pin	46	Magazine Plug
11	Barrel Pin	29	Breechbolt	47	Magazine Plug Pin
12	Hammer	30	Carrier Assembly	48	Magazine Spring
13	Hammer Spring Guide Rod	31	Carrier	49	Magazine Follower
14	Hammer Spring	32	Carrier Lever Pins	50	Stock
15	Hammer Spring Stop	33	Cartridge Stop Pin	51	Buttplate
16	Trigger	34	Carrier Lever	52	Buttplate Screws
17	Trigger Spring	35	Carrier Lever Spring Screw	53	Inner Magazine Tube Assembly
18	Trigger Pin	36	Carrier Lever Spring	54	Forend Assembly

Model 92SRC Lever-Action Carbine



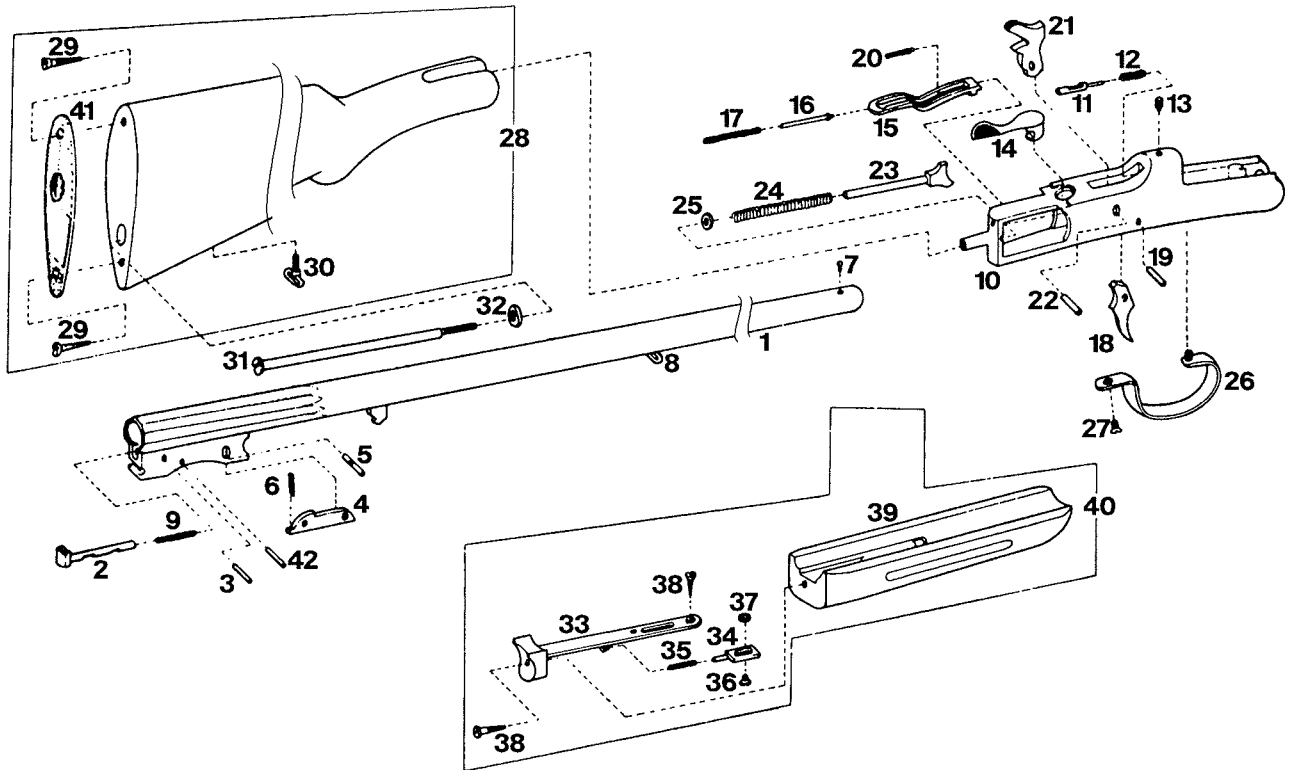
1	Barrel	23	Saddle Ring Support	44	Cartridge Stop Joint Pin
2	Front Sight	24	Trigger	45	Cartridge Stop Spring
3	Front Sight Pin	25	Trigger Pin	46	Ejector
4	Upper Band	26	Lower Tang	47	Ejector Spring
5	Upper Band Screw	27	Trigger Spring	48	Ejector Collar
6	Magazine Plug	28	Trigger Spring Screw	49	Ejector Spring Stop
7	Magazine Plug Screw	29	Lever and Breechbolt Pin Hole Plug Screw	50	Ejector Spring Stop Pins
8	Magazine Spring	30	Cartridge Guide, Right	51	Extractor
9	Forend	31	Cartridge Guide Screw	52	Extractor Pin
10	Lower Band	32	Spring Cover	53	Breechbolt
11	Lower Band Screw	33	Spring Cover Screw	54	Firing Pin
12	Magazine Tube	34	Finger Lever	55	Firing Pin Stop Pin
13	Magazine Follower	35	Friction Stud	56	Lever and Breechbolt Pin
14	Rear Sight	36	Friction Stud Spring	57	Hammer
15	Elevator	37	Friction Stud Stop Pin	58	Mainspring Rod
16	Receiver	38	Locking Bolt, Right	59	Mainspring Rod Pin
17	Carrier	39	Locking Bolt, Left	60	Hammer Screw
18	Carrier Stop	40	Locking Bolt Pin	61	Mainspring
19	Carrier Stop Spring	41	Locking Bolt Pin Stop Screw	62	Stock
20	Carrier Stop Pin	42	Cartridge Guide, Left	63	Buttplate
21	Carrier Screws	43	Cartridge Stop	64	Buttplate Screws
22	Saddle Ring			65	Upper Tang Screw

Overland Side-by-Side Shotgun



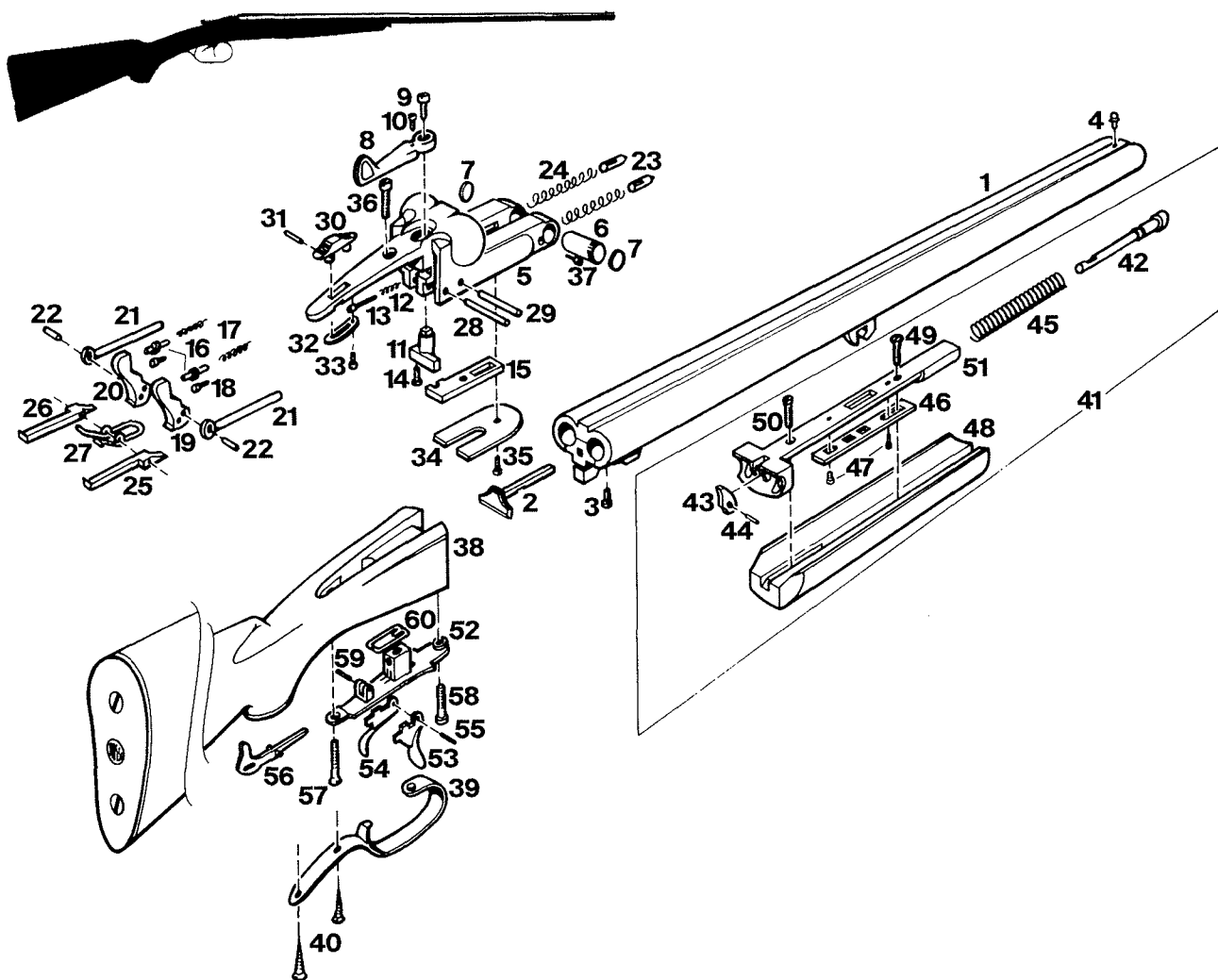
- | | | | | | |
|----|----------------------------|----|-------------------------------|----|------------------------|
| 1 | Barrel Assembly | 22 | Trigger Guard Screws | 43 | Right Plate |
| 2 | Extractor Assembly | 23 | Forend Iron | 44 | Right Locking Nut |
| 3 | Extractor Screw | 24 | Extractor Lever | 45 | Right Hammer |
| 4 | Front Sight | 25 | Extractor Lever Pin | 46 | Hammer Screws |
| 5 | Breech Assembly | 26 | Forend Rod | 47 | Right Holding Plate |
| 6 | Top Lever | 27 | Forend Spring | 48 | Holding Plate Bushings |
| 7 | Top Lever Stud | 28 | Forend Catch | 49 | Holding Plate Screws |
| 8 | Locking Pin | 29 | Forend Catch Screws | 50 | Hammer Spring Rods |
| 9 | Top Lever Stud Screw | 30 | Forend Wood | 51 | Hammer Springs |
| 10 | Top Lever Screw | 31 | Forend Assembly | 52 | Right Sear |
| 11 | Top Lever Spring Pin | 32 | Forend Anterior Screw | 53 | Sear Springs |
| 12 | Top Lever Spring | 33 | Forend Posterior Screw | 54 | Plate Screws |
| 13 | Locking Plate | 34 | Trigger Plate | 55 | Left Plate |
| 14 | Breech Trigger Plate Screw | 35 | Right Trigger | 56 | Left Locking Nut |
| 15 | Firing Pin Carriers | 36 | Left Trigger | 57 | Left Hammer |
| 16 | Firing Pins | 37 | Trigger Pin | 58 | Left Holding Plates |
| 17 | Firing Pin Springs | 38 | Trigger Spring | 59 | Left Sear |
| 18 | Stock | 39 | Trigger Nuts | 60 | Plate and Stock Screw |
| 19 | Buttplate | 40 | Trigger Spring Locking Screws | | |
| 20 | Buttplate Screws | 41 | Breech Plate Anterior Screw | | |
| 21 | Trigger Guard | 42 | Breech Plate Posterior Screw | | |
- Parts Not Shown**
- Breech Trigger Plate Locking Pin
 - Plate Bushing

Single Shot Shotgun



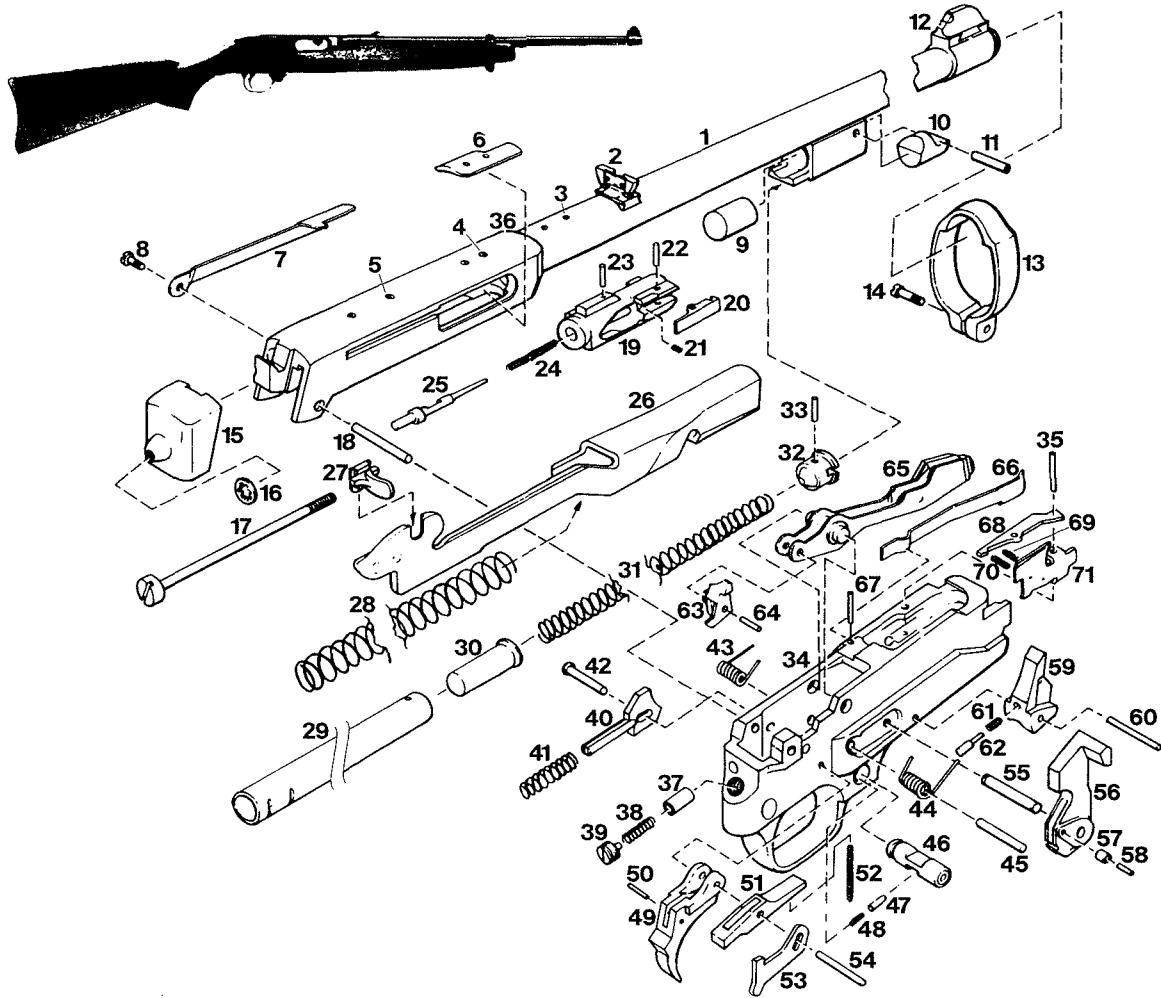
1	Barrel Assembly	22	Hammer Pin
2	Extractor Assembly	23	Hammer Spring Pin
3	Extractor Pin	24	Hammer Spring
4	Ejector Lever	25	Hammer Spring Washer
5	Ejector Lever Pin	26	Trigger Guard
6	Ejector Lever Spring	27	Trigger Guard Screw
7	Front Sight Bead	28	Stock Assembly
8	Front Swivel	29	Buttplate Screws
9	Extractor Spring	30	Rear Swivel
10	Frame	31	Frame Stock Screw
11	Firing Pin	32	Frame Stock Screw Washer
12	Firing Pin Spring	33	Forend Iron
13	Firing Pin Screw	34	Forend Catch
14	Top Lever	35	Forend Spring
15	Locking Plate	36	Forend Catch Screw
16	Locking Plate Spring Rod	37	Forend Catch Washer
17	Locking Plate Spring	38	Rear Forend Iron Screws
18	Trigger	39	Forend
19	Trigger Pin	40	Forend Assembly
20	Trigger Spring	41	Buttplate
21	Hammer	42	Barrel Pin

Squire Side-by-Side Shotgun



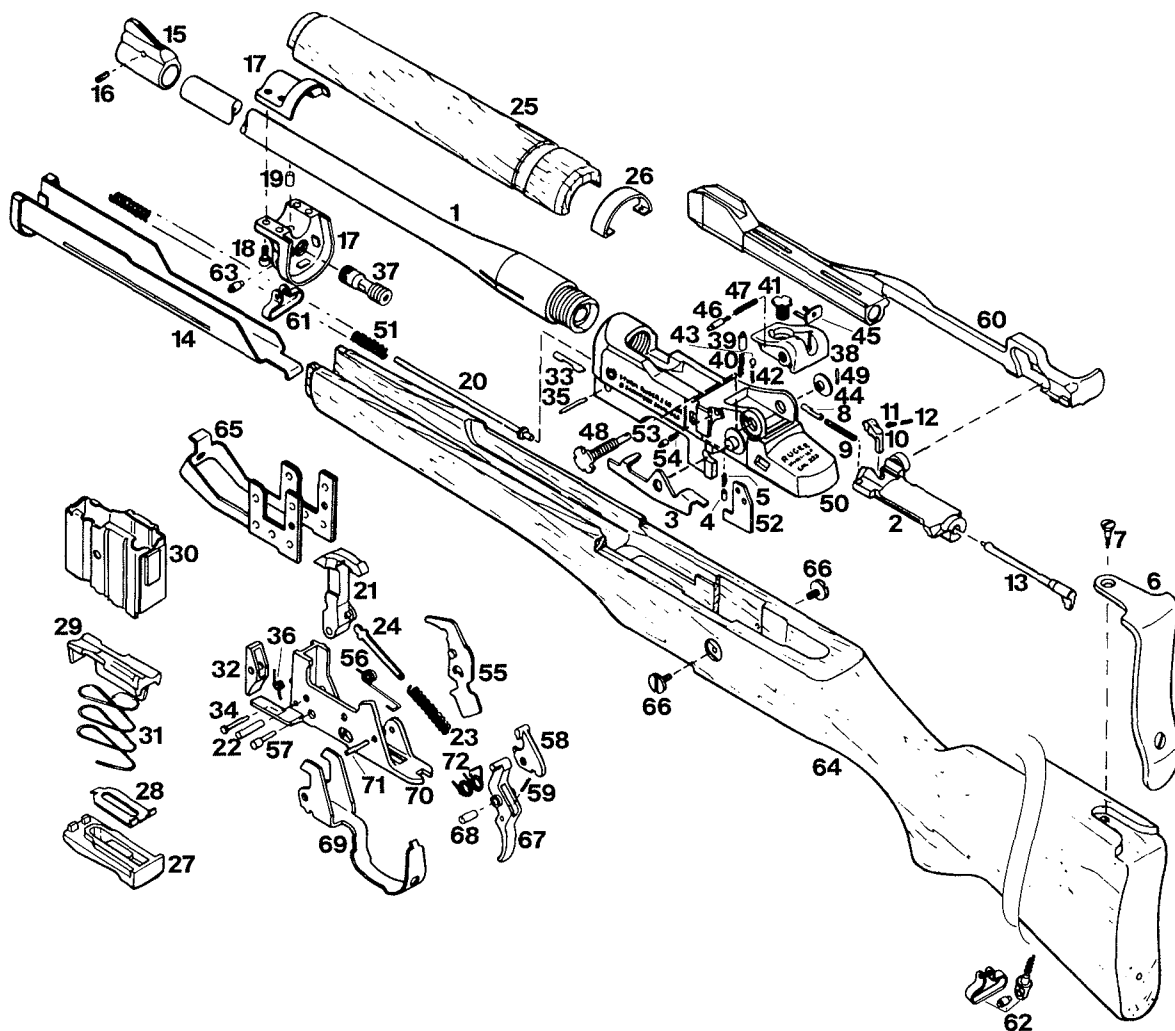
1	Barrel Assembly	22	Hammer Spring Rod Pins	41	Forend Assembly
2	Extractor	23	Hammer Spring Rod Heads	42	Forend Rod
3	Extractor Screw	24	Hammer Springs	43	Extractor Lever
4	Front Sight	25	Right Sear	44	Extractor Lever Pin
5	Breech Assembly	26	Left Sear	45	Forend Rod Spring
6	Hinge Pin	27	Sear Spring	46	Forend Catch
7	Hinge Pin Caps	28	Sear Pin	47	Forend Catch Screws
8	Top Lever	29	Hammer Pin	48	Forend Wood
9	Top Lever Screw	30	Safety	49	Front Forend Screw
10	Locking Screw	31	Safety Pin	50	Rear Forend Screw
11	Top Lever Stud	32	Safety Spring	51	Forend Iron
12	Top Lever Stud Spring	33	Safety Spring Screw	52	Trigger Plate
13	Top Lever Spring Plunger	34	Breech Plate	53	Right Trigger
14	Top Lever Stud Screw	35	Breech Plate Screw	54	Left Trigger
15	Locking Plate	36	Upper Tang Screw	55	Trigger Pin
16	Firing Pins	37	Hinge Pin Cap Screw	56	Safety-Lever
17	Firing Pin Springs	38	Stock Assembly with Buttplate and Screws	57	Rear Tang Screw
18	Firing Pin Screws	39	Trigger Guard Assembly	58	Front Trigger Plate Breech Screw
19	Hammer, Right	40	Trigger Guard Screws	59	Safety-Lever Retainer Pin
20	Hammer, Left			60	Trigger Spring
21	Hammer Spring Rods				

44 Autoloading Carbine



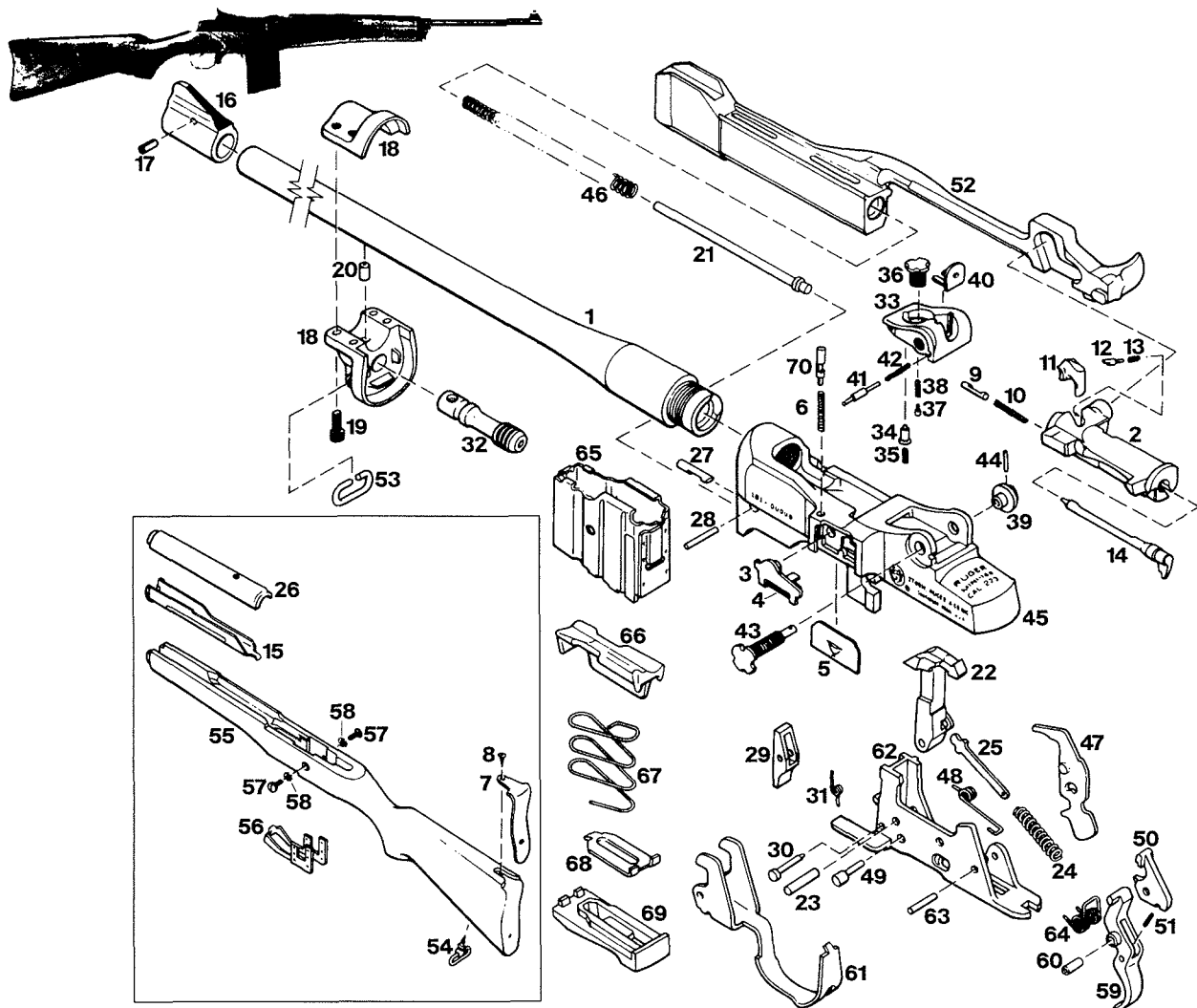
1	Barrel	27	Slide Handle	52	Sear Spring
2	Rear Sight	28	Slide Spring	53	Disconnecter
3	Scope Mount Filler Screws	29	Magazine Tube	54	Trigger Pivot Pin
4	Ejector Screws	30	Magazine Follower	55	Hammer Pivot Pin
5	Scope Mount Filler Screws	31	Magazine Spring	56	Hammer
6	Ejector	32	Magazine Plug	57	Hammer Roller
7	Cartridge Guide Plate	33	Magazine Plug Cross Pin	58	Hammer Roller Pivot Pin
8	Cartridge Guide Plate Screw	34	Trigger Guard and Housing	59	Lifter Latch
9	Piston	35	Cartridge Stop Pivot Pin	60	Lifter Latch Pivot Pin
10	Piston Block Plug	36	Receiver	61	Lifter Latch Spring
11	Piston Block Plug Retaining Pin	37	Disconnecter Plunger	62	Lifter Latch Plunger
12	Front Sight	38	Disconnecter Plunger Spring	63	Lifter Dog
13	Barrel Band	39	Disconnecter Plunger Spring	64	Lifter Dog Pivot Pin
14	Barrel Band Screw	40	Lifter Cam	65	Lifter Assembly
15	Recoil Block	41	Lifter Cam Spring	66	Cartridge Stop Flat Spring
16	Recoil Block Bolt Washer	42	Lifter Cam Pin	67	Retaining Pin
17	Recoil Block Bolt	43	Hammer Spring, Left	68	Cartridge Stop
18	Receiver Cross Pin	44	Hammer Spring, Right	69	Flapper Spring
19	Bolt	45	Hammer Spring Retaining Pin	70	Cartridge Stop Coil Spring
20	Extractor	46	Safety	71	Flapper
21	Extractor Spring	47	Safety Detent Plunger		
22	Extractor Pivot Pin	48	Safety Detent Plunger Spring		
23	Firing Pin Retaining Pin	49	Trigger		
24	Firing Pin Retaining Spring	50	Trigger Cross Pin		
25	Firing Pin	51	Sear		
26	Slide				
				Parts Not Shown	
					Buttstock
					Buttpad
					Screws
					Forend

Mini-14 Autoloading Rifle (180-Prefix)



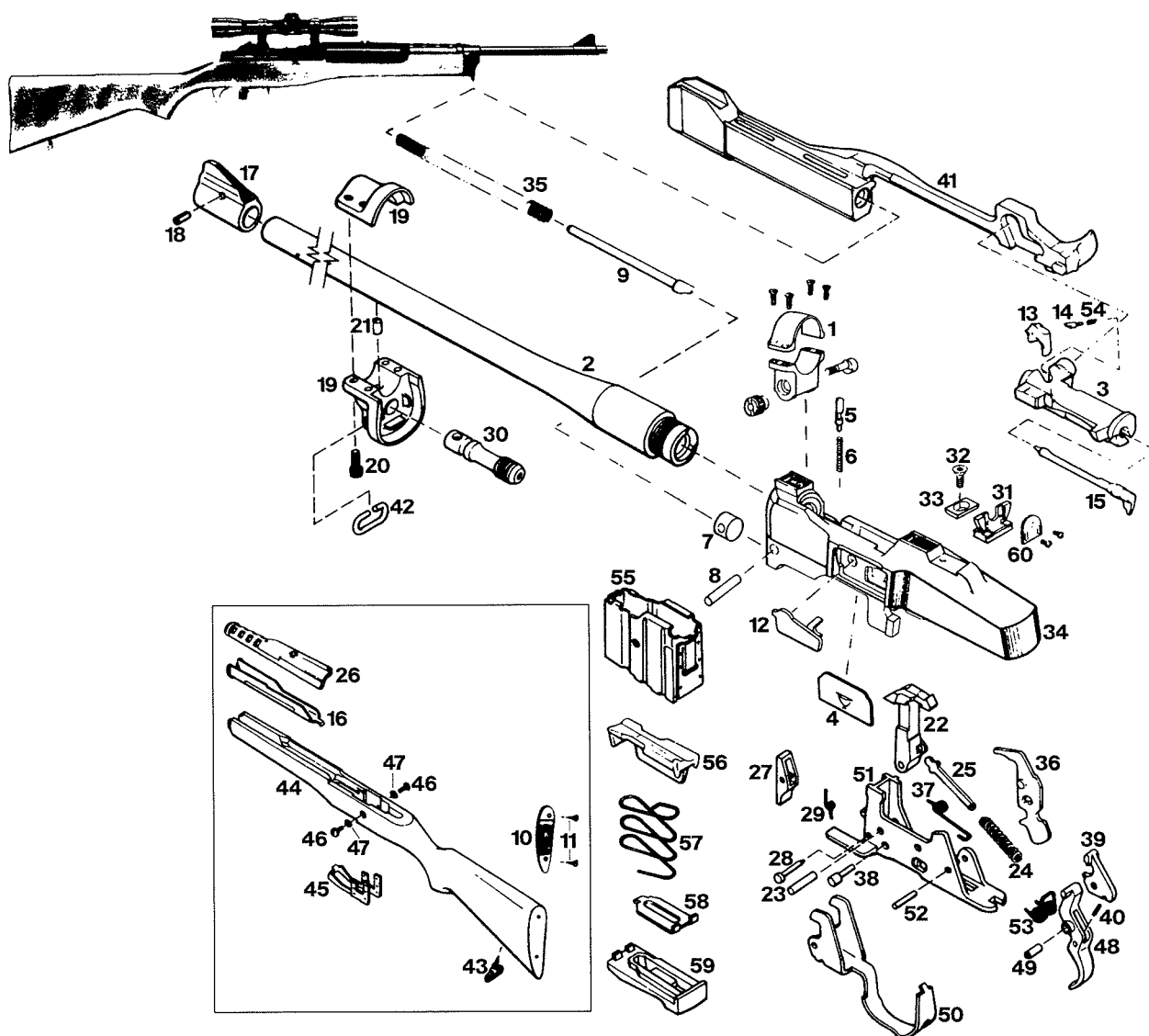
1	Barrel	25	Handguard	49	Rear Sight Windage Screw Pin
2	Bolt and Roller Assembly	26	Handguard Clip	50	Receiver
3	Bolt Lock	27	Magazine Bottom	51	Recoil Spring
4	Bolt Lock Plunger	28	Magazine Bottom Retainer	52	Retainer Plate
5	Bolt Lock Plunger Spring	29	Magazine Follower	53	Retainer Plate Plunger
6	Buttplate	30	Magazine Shell	54	Retainer Plate Plunger Spring
7	Buttplate Screws	31	Magazine Spring	55	Safety Assembly
8	Ejector	32	Magazine Latch	56	Safety Detent Spring
9	Ejector Spring	33	Magazine Catch	57	Safety Spring Retaining Pin
10	Extractor	34	Magazine Latch Pivot Pin	58	Secondary Sear
11	Extractor Plunger	35	Magazine Catch Retaining Pin	59	Secondary Sear Spring
12	Extractor Spring	36	Magazine Latch Spring	60	Slide
13	Firing Pin	37	Piston	61	Sling Swivel, Front
14	Forend Liner and Stock Cap Assembly	38	Rear Sight Base	62	Sling Swivel, Rear
15	Front Sight	39	Rear Sight Elevation Detent Plunger	63	Sling Swivel Pin, Front
16	Front Sight Cross Pin	40	Rear Sight Elevation Detent Plunger Spring	64	Stock
17	Gas Block, Top and Bottom	41	Rear Sight Elevation Screw	65	Stock Reinforcement
18	Gas Block Screws	42	Rear Sight Elevation Plunger Spring	66	Stock Reinforcement Screws
19	Gas Port Bushing	43	Rear Sight Elevation Plunger	67	Trigger
20	Guide Rod	44	Rear Sight Nut	68	Trigger Bushing
21	Hammer	45	Rear Sight Peep	69	Trigger Guard
22	Hammer Pivot Pin	46	Rear Sight Windage Detent Plunger	70	Trigger Housing
23	Hammer Spring	47	Rear Sight Windage Detent Spring	71	Trigger Pivot
24	Hammer Strut	48	Rear Sight Windage Screw	72	Trigger Spring

Mini-14 Autoloading Rifle (181-184 Prefix)



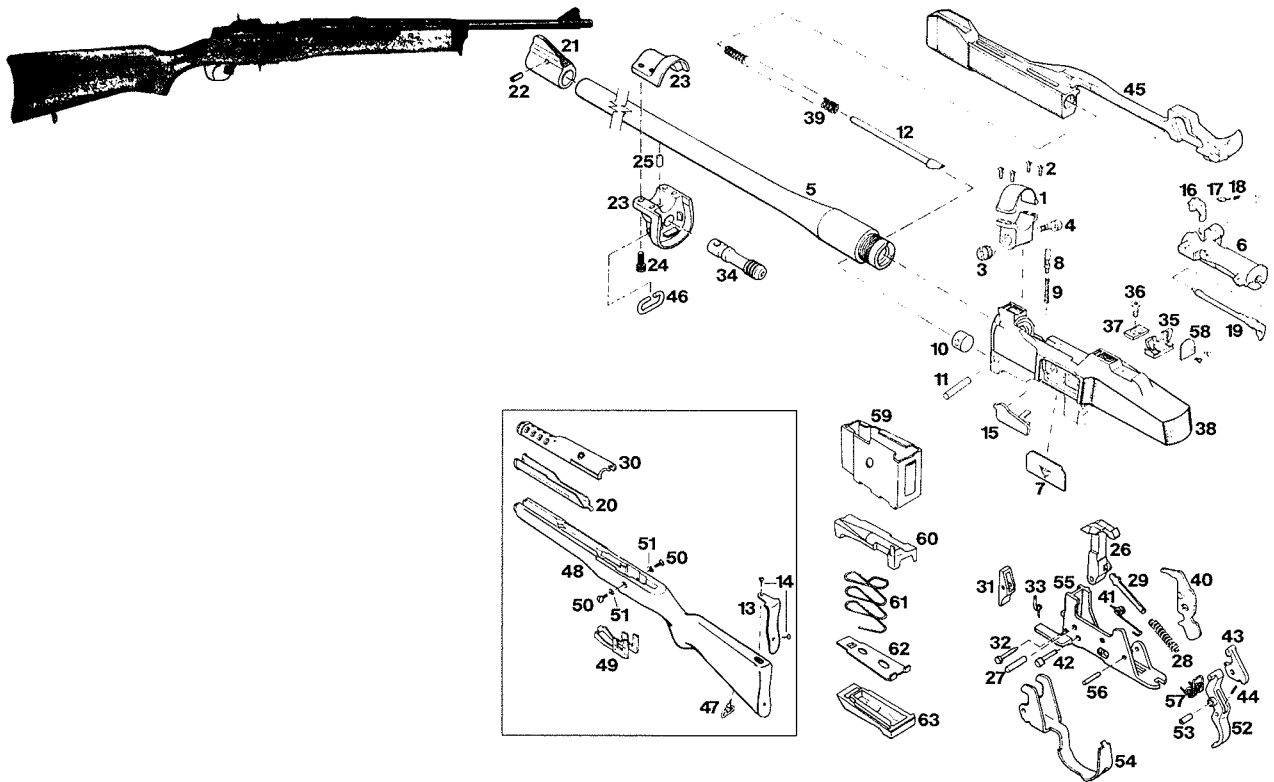
1	Barrel	23	Hammer Pivot Pin	47	Safety Assembly
2	Bolt	24	Hammer Spring	48	Safety Detent Spring
3	Bolt Lock Assembly	25	Hammer Strut	49	Safety Spring Retaining Pin
4	Bolt Lock Buffer Spring	26	Handguard	50	Secondary Sear
5	Bolt Lock Cover Plate	27	Magazine Catch, Front	51	Secondary Sear Spring
6	Bolt Lock Plunger Spring	28	Magazine Catch Retaining Pin	52	Slide Assembly
7	Buttplate	29	Magazine Latch	53	Sling Swivel, Front
8	Buttplate Screws	30	Magazine Latch Pivot Pin	54	Sling Swivel Assembly, Rear
9	Ejector	31	Magazine Latch Spring	55	Stock
10	Ejector Spring	32	Piston (Gas Pipe)	56	Stock Reinforcement
11	Extractor	33	Rear Sight Base	57	Stock Reinforcement Screws
12	Extractor Plunger	34	Rear Sight Elevation Detent Plunger	58	Stock Reinforcement Lock Washers
13	Extractor Spring	35	Rear Sight Elevation Detent Spring	59	Trigger
14	Firing Pin	36	Rear Sight Elevation Screw	60	Trigger Bushing
15	Forend Liner and Stock Cap Assembly	37	Rear Sight Elevation Plunger	61	Trigger Guard
16	Front Sight	38	Rear Sight Elevation Plunger Spring	62	Trigger Housing
17	Front Sight Cross Pin	39	Rear Sight Nut	63	Trigger Pivot Pin
18	Gas Block	40	Rear Sight Peep	64	Trigger Spring
19	Gas Block Screws	41	Rear Sight Windage Detent Plunger	65	Magazine Box
20	Gas Port Bushing	42	Rear Sight Windage Detent	66	Magazine Follower
21	Guide Rod	43	Rear Sight Windage Screw	67	Magazine Spring
22	Hammer	44	Rear Sight Windage Screw Pin	68	Magazine Spring Retainer
		45	Receiver	69	Magazine Floorplate
		46	Recoil Spring	70	Bolt Lock Plunger

Mini-14 Ranch Autoloading Rifle



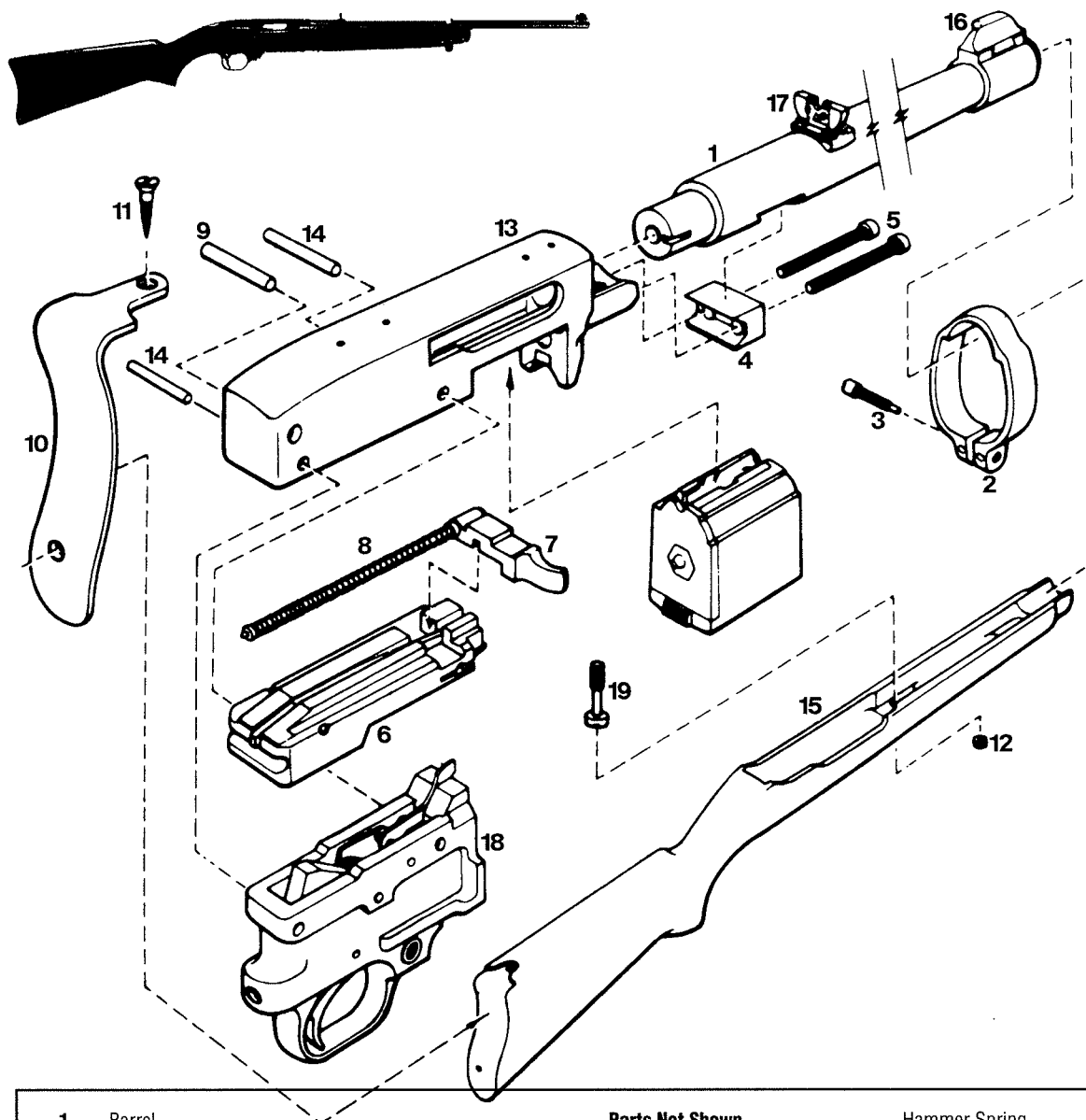
1	Scope Rings	21	Gas Port Bushing	42	Sling Swivel, Front
2	Barrel	22	Hammer	43	Sling Swivel Assembly, Rear
3	Bolt	23	Hammer Pivot Pin	44	Stock
4	Bolt Lock Cover Plate	24	Hammer Spring	45	Stock Reinforcement
5	Bolt Lock Plunger	25	Hammer Strut	46	Stock Reinforcement Screws
6	Bolt Lock Plunger Spring	26	Handguard Assembly	47	Stock Reinforcement Lock
7	Buffer Bushing	27	Magazine Latch		Washers
8	Buffer Cross Pin	28	Magazine Latch Pivot Pin	48	Trigger
9	Buffer Guide Rod	29	Magazine Latch Spring	49	Trigger Bushing
10	Buttplate	30	Piston (Gas Pipe)	50	Trigger Guard
11	Buttplate Screws	31	Rear Sight Assembly	51	Trigger Housing
12	Ejector Bolt Stop	32	Rear Sight Windage Lock Screw	52	Trigger Pivot Pin
13	Extractor	33	Rear Sight Windage Lock	53	Trigger Spring
14	Extractor Plunger	34	Receiver	54	Extractor Spring
15	Firing Pin	35	Recoil Spring	55	Magazine Box
16	Forend Liner and Stock Cap Assembly	36	Safety Assembly	56	Magazine Follower
17	Front Sight	37	Safety Detent Spring	57	Magazine Spring
18	Front Sight Cross Pin	38	Safety Spring Retaining Pin	58	Magazine Spring Retainer
19	Gas Block, Top and Bottom	39	Secondary Sear	59	Magazine Floorplate
20	Gas Block Screws	40	Secondary Sear Spring	60	Rear Sight Peep and Screws
		41	Slide Assembly		

Mini-Thirty Autoloading Rifle



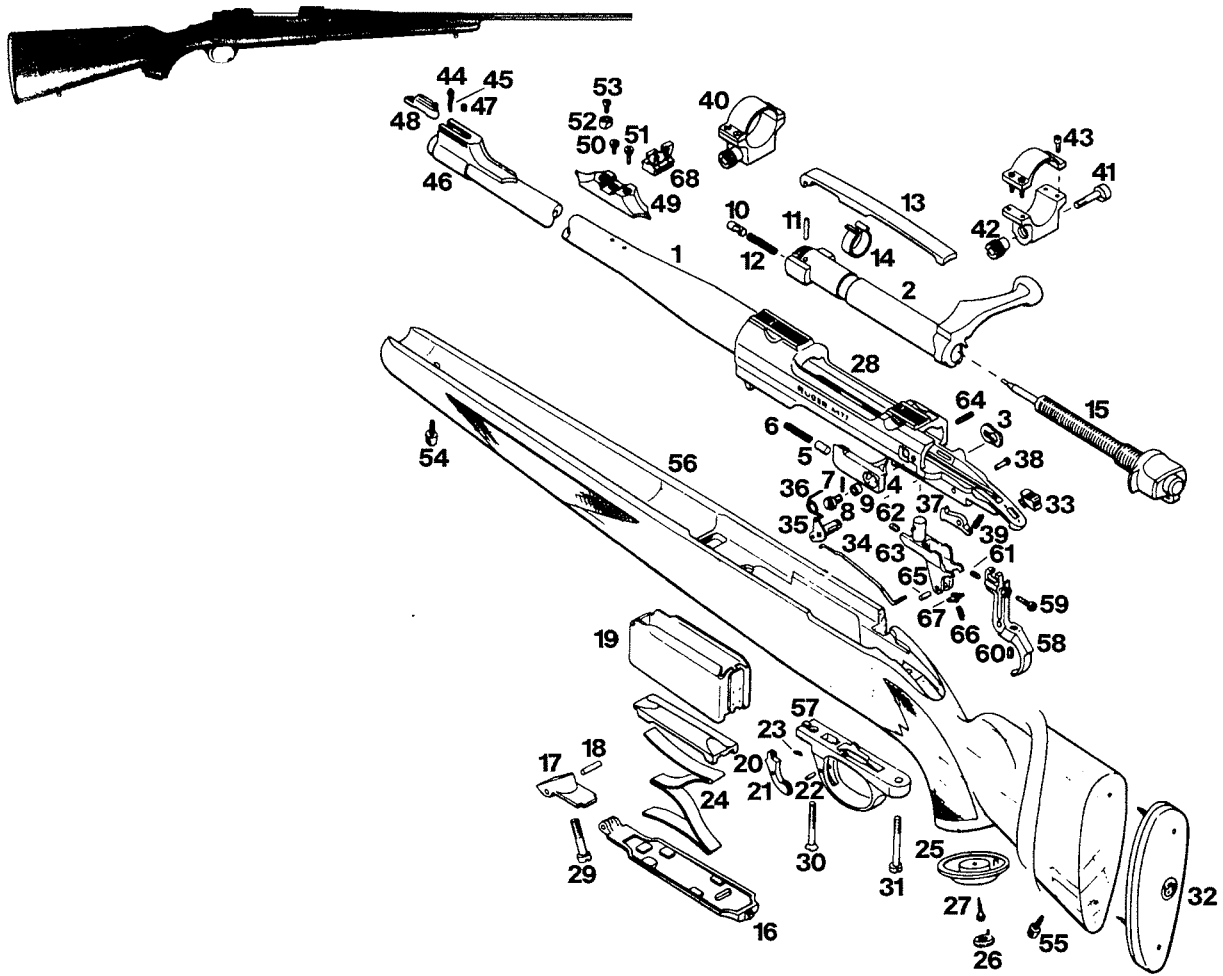
1	Scope Rings	33	Magazine Latch Spring
2	Scope Ring Screws	34	Piston (Gas Pipe)
3	Scope Ring Nut	35	Rear Sight Assembly, Complete
4	Scope Ring Clamp	36	Rear Sight Windage Lock Screw
5	Barrel	37	Rear Sight Windage Lock
6	Bolt	38	Receiver
7	Bolt Lock Cover Plate	39	Recoil Spring
8	Bolt Lock Plunger	40	Safety Assembly
9	Bolt Lock Plunger Spring	41	Safety Detent Spring
10	Buffer Bushing	42	Safety Spring Retaining Pin
11	Buffer Cross Pin	43	Secondary Sear
12	Buffer Guide Rod	44	Secondary Sear Spring
13	Buttplate	45	Slide Assembly
14	Buttplate Screws	46	Sling Swivel, Front
15	Ejector Bolt Stop	47	Sling Swivel Assembly, Rear
16	Extractor	48	Stock with Buttplate
17	Extractor Plunger	49	Stock Reinforcement Assembly
18	Extractor Spring	50	Stock Reinforcement Screws
19	Firing Pin	51	Stock Reinforcement Lock
20	Forearm Liner and Stock Cap Assembly		Washers
21	Front Sight	52	Trigger
22	Front Sight Cross Pin	53	Trigger Bushing
23	Gas Block, Top and Bottom	54	Trigger Guard
24	Gas Block Screws	55	Trigger Housing
25	Gas Port Bushing	56	Trigger Pivot Pin
26	Hammer	57	Trigger Spring
27	Hammer Pivot Pin	58	Rear Sight Peep and Screws
28	Hammer Spring	59	Magazine Box
29	Hammer Strut	60	Magazine Follower
30	Handguard Assembly	61	Magazine Spring
31	Magazine Latch	62	Magazine Spring Retainer
32	Magazine Latch Pivot Pin	63	Magazine Floorplate

Model 10/22 Autoloading Rifle



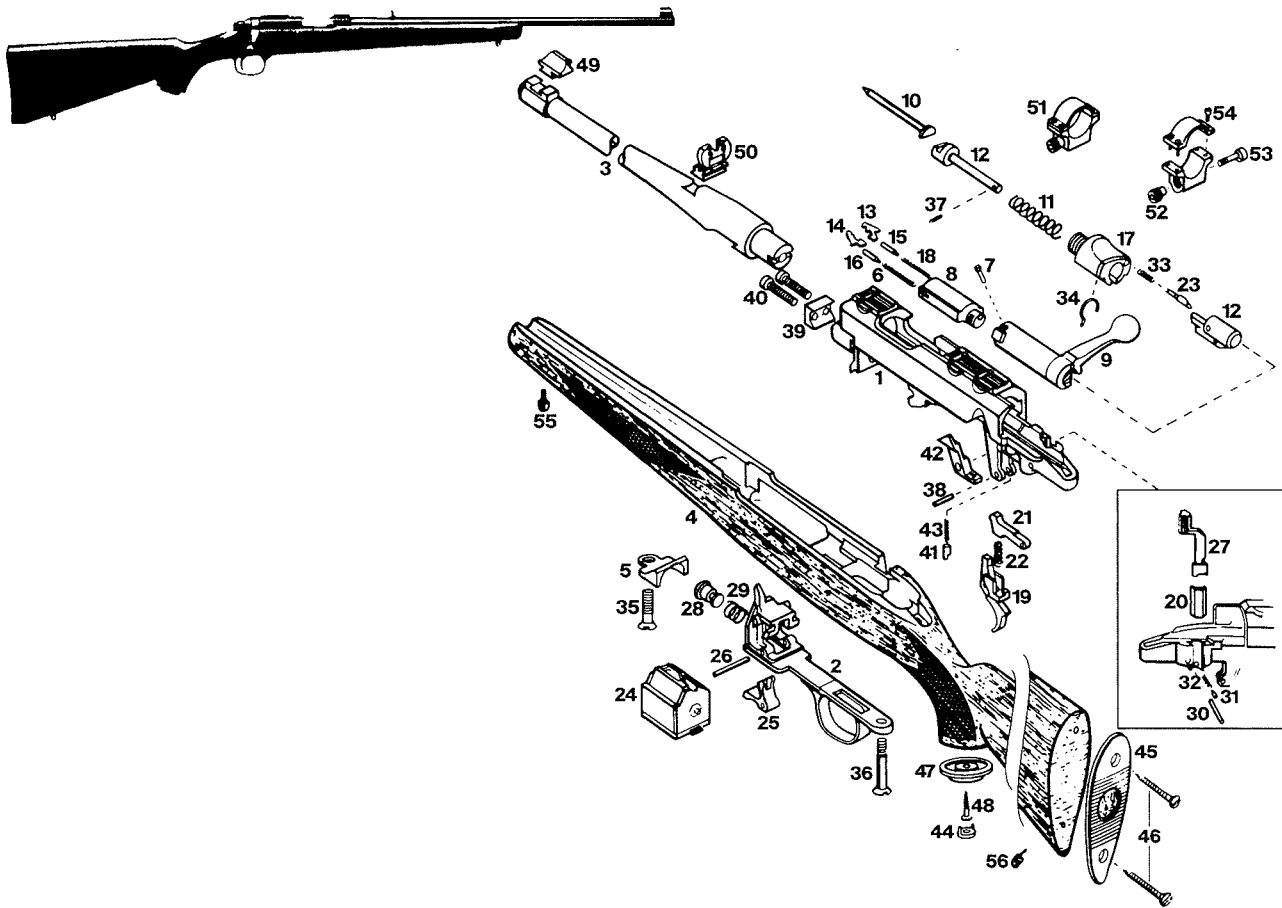
1	Barrel	Parts Not Shown	Hammer Spring
2	Barrel Band	Bolt Lock	Hammer Strut
3	Barrel Band Screw	Bolt Lock Spring	Hammer Strut Washer
4	Barrel Retainer	Disconnecter	Magazine Assembly
5	Barrel Retainer Screws	Disconnecter Pivot Pin	Magazine Cap
6	Bolt Assembly	Ejector	Magazine Cap Nut
7	Bolt Handle	Ejector Pins	Magazine Latch
8	Guide Rod and Recoil Spring Assembly	Extractor	Magazine Latch Pivot Pin
9	Bolt Stop Pin	Extractor Plunger	Magazine Latch Plunger
10	Buttplate	Extractor Spring	Magazine Latch Plunger Spring
11	Buttplate Screws	Firing Pin	Magazine Rotor
12	Stock Escutcheon	Firing Pin Rebound Spring	Magazine Rotor Spring
13	Receiver	Firing Pin Stop Pin	Magazine Screw
14	Receiver Cross Pins	Hammer	Magazine Shell
15	Stock	Hammer Bushings	Magazine Throat
16	Front Sight Bead	Hammer Pivot Pin	
17	Open Rear Sight		
18	Trigger Guard Assembly		
19	Takedown Screw		

Model 77 Bolt-Action Rifle



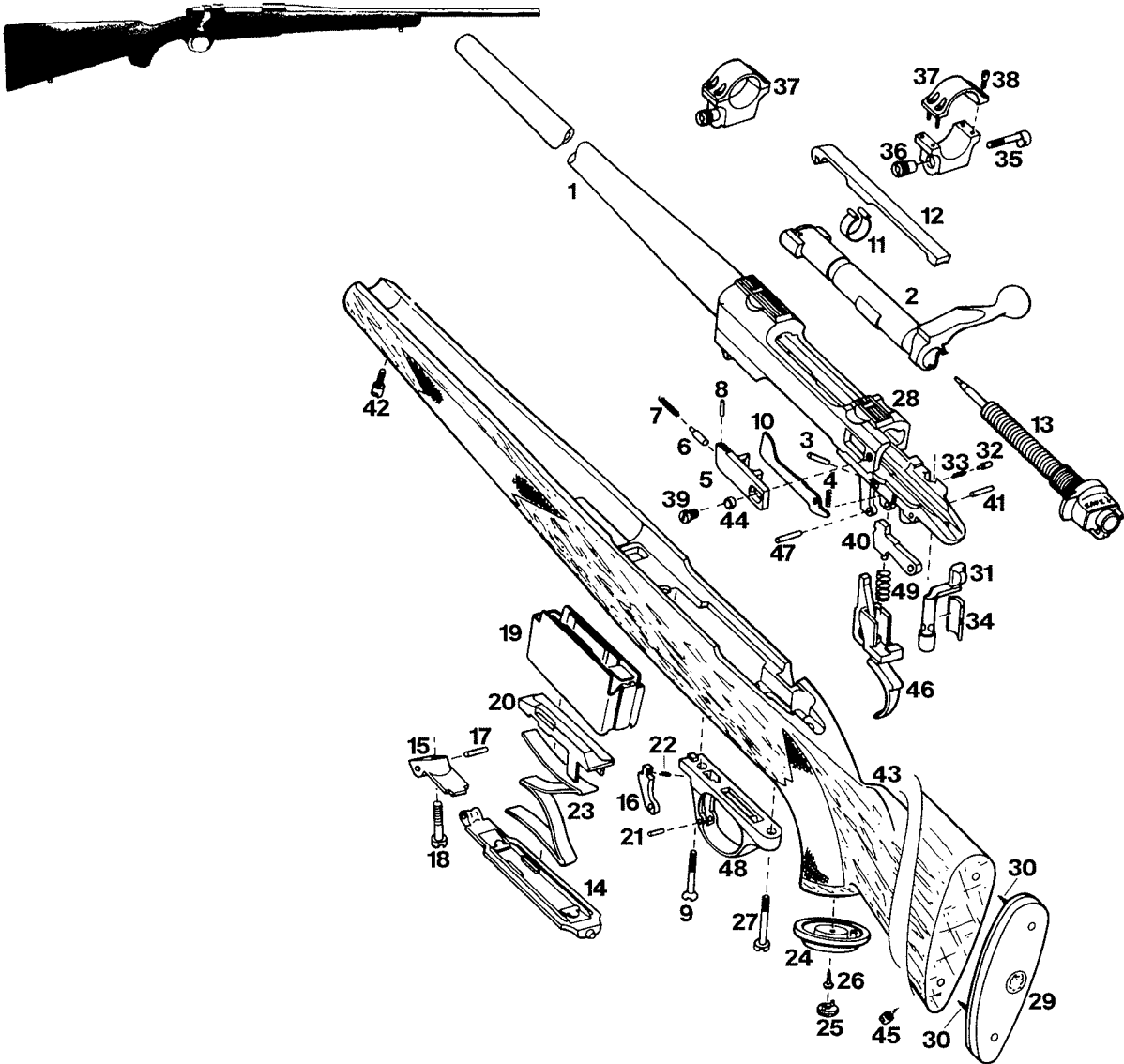
1	Barrel	25	Pistol Grip Cap	51	Rear Sight Base Rear Screw
2	Bolt Body	26	Pistol Grip Cap Medallion	52	Williams Gib Lock
3	Bolt Lock	27	Pistol Grip Cap Screw	53	Williams Gib Lock Screw
4	Bolt Stop	28	Receiver	54	Sling Swivel Front Screw with Nut
5	Bolt Stop Plunger	29	Receiver Mounting Screw, Front	55	Sling Swivel Rear Mounting Stud
6	Bolt Stop Plunger Spring	30	Receiver Mounting Screw, Center	56	Stock
7	Bolt Stop Plunger Spring Retaining Pin	31	Receiver Mounting Screw, Rear	57	Trigger Guard
8	Bolt Stop Screw Stud	32	Recoil Pad	58	Trigger
9	Bolt Stop Stud Bushing	33	Safety Button	59	Trigger Engagement Screw
10	Ejector	34	Safety Link	60	Trigger Weight of Pull Screw
11	Ejector Retaining Pin	35	Safety Shaft Assembly	61	Trigger Over Travel Screw
12	Ejector Spring	36	Safety Spring	62	Trigger Over Travel Set Screw
13	Extractor	37	Sear	63	Trigger Housing
14	Extractor Band	38	Sear Pivot Pin	64	Trigger Housing Cross Pin
15	Firing Pin Assembly	39	Sear Spring	65	Trigger Pivot Pin
16	Floorplate	40	Scope Ring Assembly	66	Trigger Return Spring
17	Floorplate Hinge	41	Scope Ring Clamp	67	Trigger Return Spring Seat
18	Floorplate Pivot Pin	42	Scope Ring Nut	68	Rear Sight Blade
19	Magazine Box	43	Scope Ring Screw		
20	Magazine Follower	44	Front Sight Plunger	Parts Not Shown	
21	Magazine Latch	45	Front Sight Plunger Spring		Forend Escutcheons
22	Magazine Latch Pin	46	Front Sight Base		Stock Cross Bolt
23	Magazine Latch Spring	47	Front Sight Base Set Screw		Stock Cross Bolt Nut
24	Magazine Spring	48	Front Sight Blade		Stock Reinforcement Assembly
		49	Rear Sight Base		Stock Reinforcement Screw
		50	Rear Sight Base Center Screw		

Model 77/22 Bolt-Action Rifle



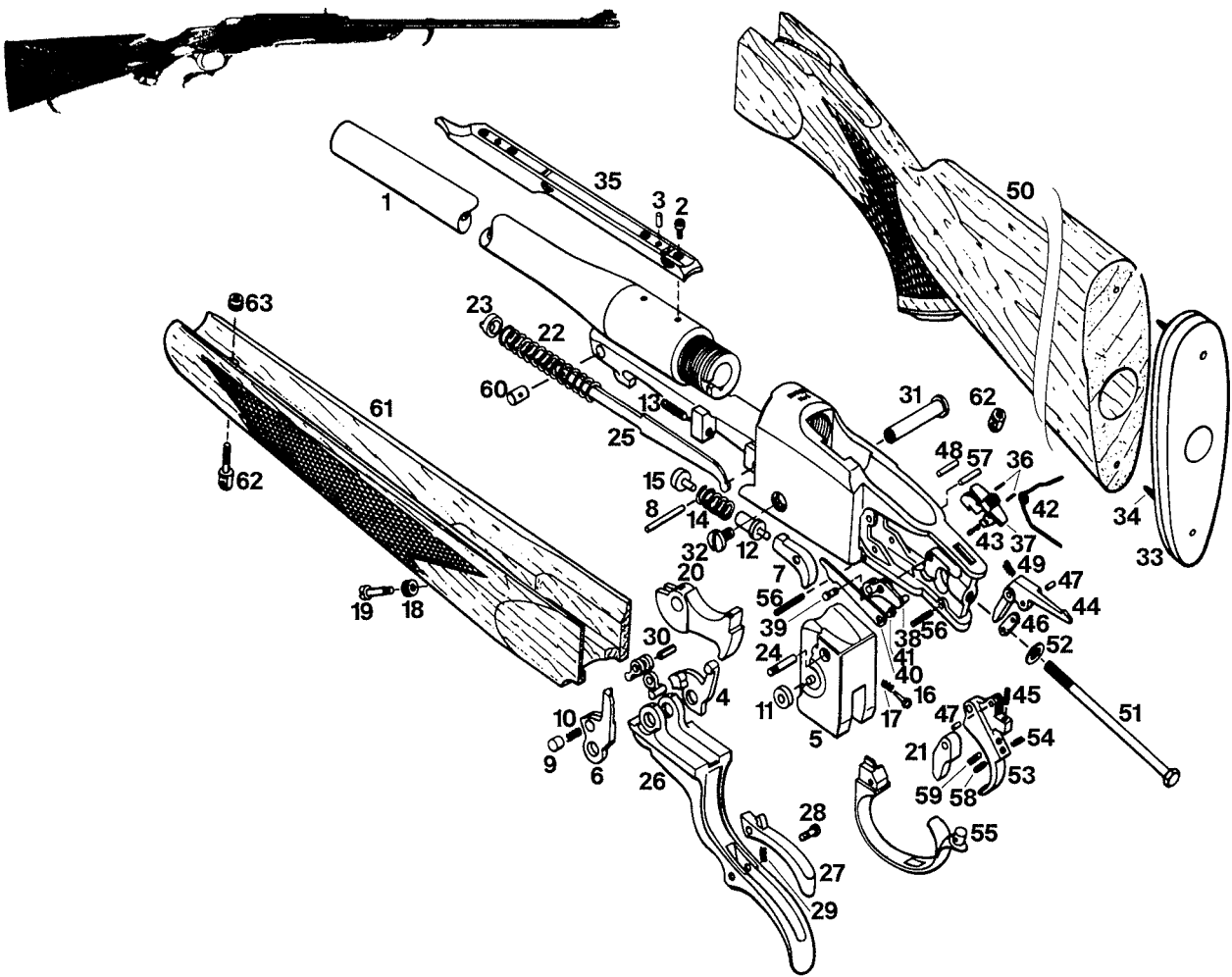
1	Receiver	30	Sear Pivot Pin
2	Trigger Guard Assembly	31	Safety Selector Detent
3	Barrel	32	Safety Selector Detent Spring
4	Stock	33	Bolt Lock Plunger Spring
5	Magazine Well Liner	34	Bolt Lock Plunger Retainer
6	Cartridge Support Spring	35	Front Mounting Screw
7	Breechblock Retainer	36	Rear Mounting Screw
8	Breechblock	37	Striker Cross Pin
9	Bolt	38	Trigger Pivot Pin
10	Firing Pin	39	Barrel Retainer
11	Striker Spring	40	Barrel Retainer Screws
12	Striker/Cocking Piece Assembly	41	Bolt Stop Plunger
13	Extractor	42	Bolt Stop
14	Cartridge Support	43	Bolt Stop Plunger Spring
15	Extractor Plunger	44	Pistol Grip Cap Medallion
16	Cartridge Support Plunger	45	Buttplate
17	Bolt Sleeve	46	Buttplate Screws
18	Extractor Spring	47	Pistol Grip Cap
19	Trigger	48	Pistol Grip Cap Screw
20	Safety Selector Retainer	49	Front Sight
21	Sear	50	Rear Sight
22	Trigger/Sear Spring	51	Scope Ring
23	Bolt Lock Plunger	52	Scope Ring Nut
24	Magazine Complete	53	Scope Ring Clamp
25	Magazine Latch	54	Scope Ring Screw
26	Magazine Latch Pivot Pin	55	Sling Swivel Front Screw with Nut
27	Safety Selector	56	Sling Swivel Rear Mounting Stud
28	Magazine Latch Plunger		
29	Magazine Latch Plunger Spring		

M-77 Mark II Bolt-Action Rifle



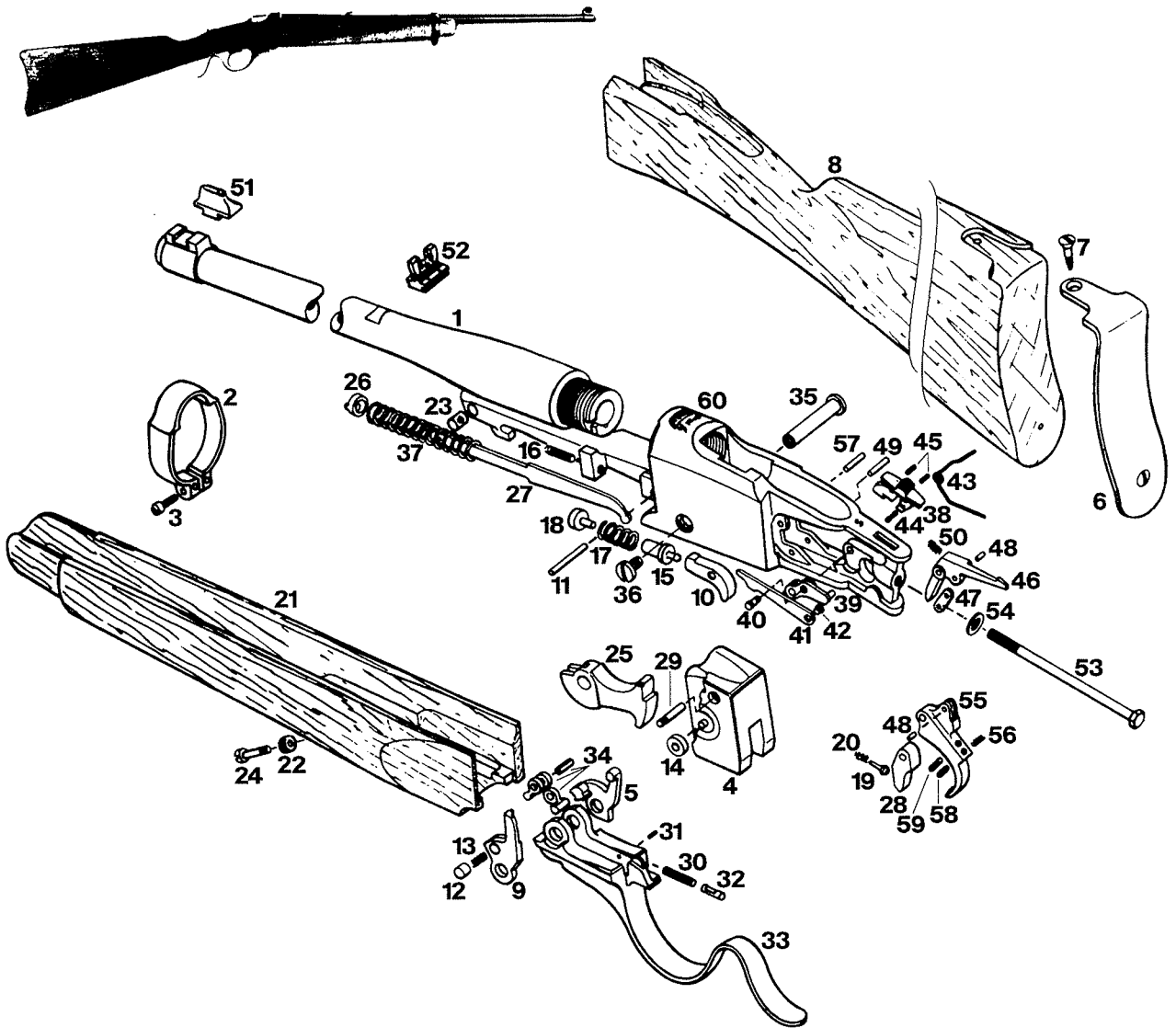
1	Barrel	19	Magazine Box	39	Screw Stud
2	Bolt and Bolt Key	20	Magazine Follower	40	Sear
3	Bolt Lock Plunger	21	Magazine Latch Pin	41	Sear Pivot Pin
4	Bolt Lock Plunger Spring	22	Magazine Latch Spring	42	Sling Swivel Screw
5	Bolt Stop	23	Magazine Spring	43	Stock
6	Bolt Stop Plunger	24	Pistol Grip Cap	44	Stud Bushing
7	Bolt Stop Plunger Spring	25	Pistol Grip Cap Medallion	45	Swivel Mounting Screw
8	Bolt Stop Plunger Spring	26	Pistol Grip Cap Screw	46	Trigger
9	Center Mounting Screw	27	Rear Mounting Screw	47	Trigger Pivot Pin
10	Ejector	28	Receiver	48	Trigger Guard
11	Extractor Band	29	Recoil Pad	49	Trigger/Sear Spring
12	Extractor	30	Recoil Pad Screws	Parts Not Shown	
13	Firing Pin Assembly	31	Safety Selector		Bolt Lock Plunger Retainer
14	Floorplate Assembly	32	Safety Selector Detent		Bolt Sleeve
15	Floorplate Hinge	33	Safety Selector Detent Spring		Cocking Piece
16	Floorplate Latch	34	Safety Selector Retainer		Ejector Spring
17	Floorplate Pivot Pin	35	Scope Base Clamp		Ejector Pivot Pin
18	Front Mounting Screw	36	Scope Base Nut		Firing Pin Cross Pin
		37	Scope Ring Assembly		
		38	Scope Ring Screws		

No. 1 Single Shot Rifle



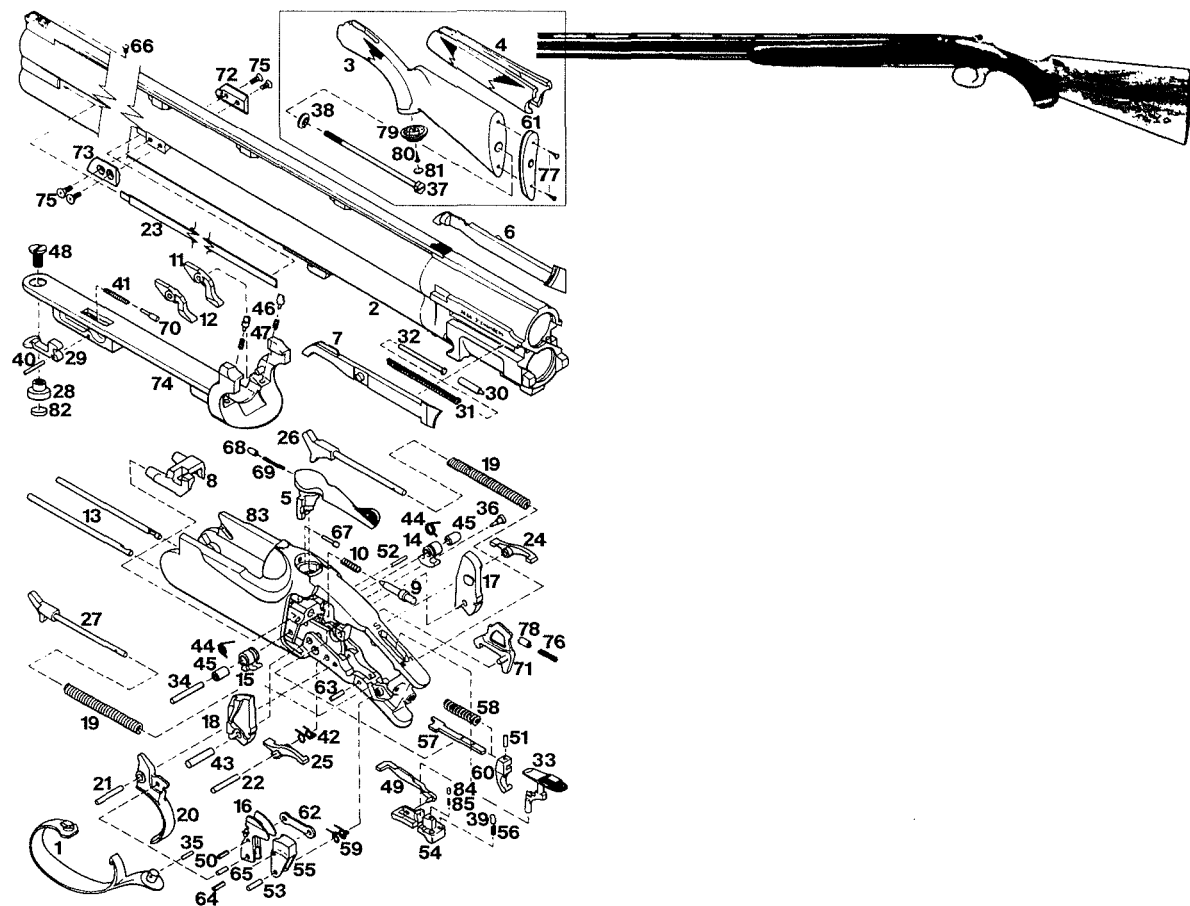
- | | | | | | |
|----|---------------------------------|----|----------------------------------|------------------------|---------------------------------|
| 1 | Barrel | 27 | Lever Latch | 53 | Trigger |
| 2 | Barrel Rib Screws | 28 | Lever Latch Pivot Pin | 54 | Trigger Adjustment Spring |
| 3 | Barrel Rib Dowels | 29 | Lever Latch Spring | 55 | Trigger Guard |
| 4 | Breechblock Arm | 30 | Lever Link and Pin Assemblies | 56 | Trigger Guard Retaining Pins |
| 5 | Breechblock | 31 | Lever Pivot Pin | 57 | Trigger Pivot Pin |
| 6 | Ejector | 32 | Lever Pivot Screw | 58 | Trigger Spring Adjustment Screw |
| 7 | Ejector Cam | 33 | Recoil Pad | 59 | Trigger Stop Screw |
| 8 | Ejector Cam Pivot Pin | 34 | Recoil Pad Screws | 60 | Forend Takedown Nut |
| 9 | Ejector Plunger | 35 | Rib | 61 | Forend |
| 10 | Ejector Plunger Spring | 36 | Roll Pins for Safety Thumb-Piece | 62 | Sling Swivel Screws |
| 11 | Ejector Roller | 37 | Safety | 63 | Sling Swivel Escutcheon |
| 12 | Ejector Strut | 38 | Safety Arm | Parts Not Shown | |
| 13 | Ejector Strut Adjusting Screw | 39 | Safety Arm Pivot Pin | | Front Sight Base |
| 14 | Ejector Strut Spring | 40 | Safety Bar | | Front Sight Base Set Screw |
| 15 | Ejector Strut Swivel | 41 | Safety Bar Pivot Pin | | Front Sight Blade |
| 16 | Firing Pin | 42 | Safety Detent Spring | | Front Sight Plunger Spring |
| 17 | Firing Pin Spring | 43 | Safety Detent Spring Pin | | Front Sight Retaining Plunger |
| 18 | Forend Escutcheon | 44 | Sear | | Lever Pilot Groove Pin |
| 19 | Forend Takedown Screw | 45 | Sear Adjustment Screw | | Medallion |
| 20 | Hammer | 46 | Sear Link | | Pistol Grip Cap |
| 21 | Hammer Transfer Block | 47 | Sear Link Pins | | Pistol Grip Cap Screw |
| 22 | Hammer Spring | 48 | Sear Pivot Pin | | Rear Sight |
| 23 | Hammer Spring Retaining Washer | 49 | Sear Spring | | |
| 24 | Hammer Transfer Block Pivot Pin | 50 | Buttstock | | |
| 25 | Hammer Strut | 51 | Stock Bolt | | |
| 26 | Lever | 52 | Stock Bolt Washer | | |

No. 3 Single Shot Carbine



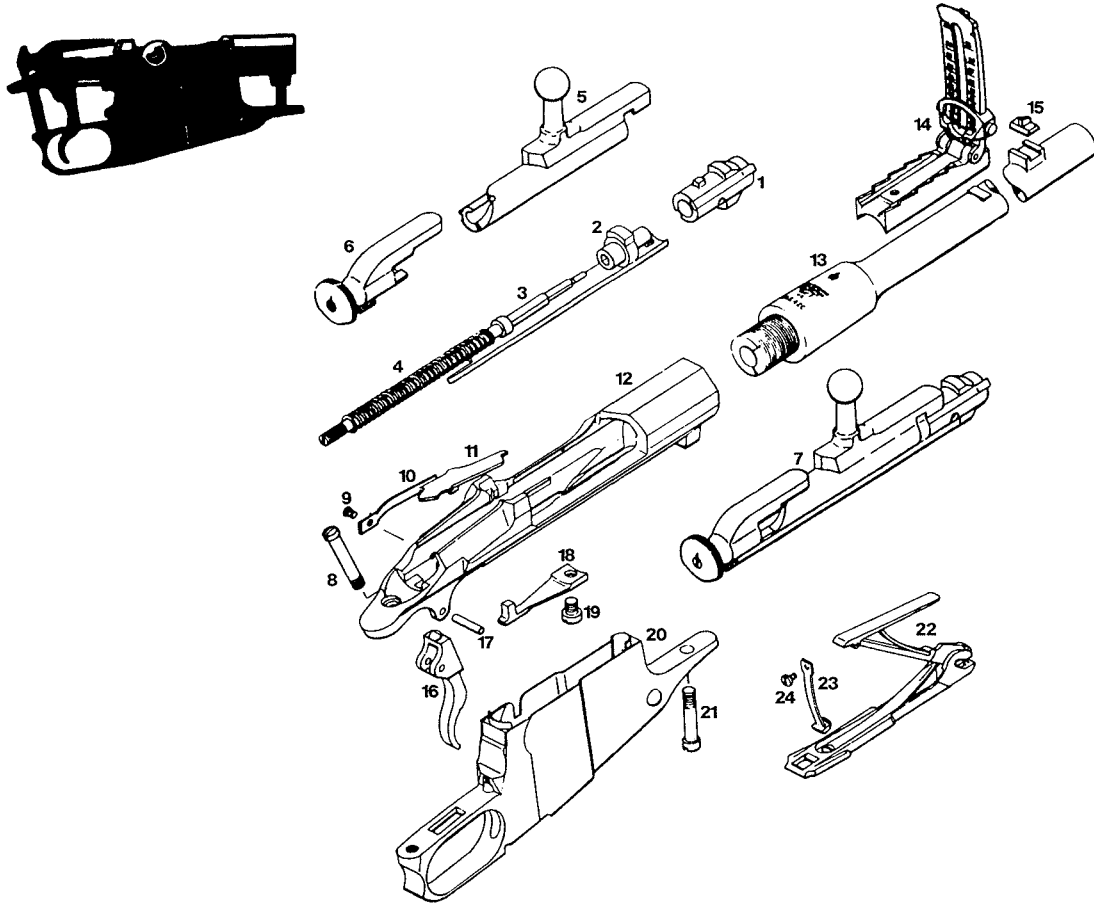
1	Barrel	22	Forend Escutcheon	41	Safety Bar
2	Barrel Band	23	Forend Takedown Nut	42	Safety Bar Pivot Pin
3	Barrel Band Screw	24	Forend Takedown Screw	43	Safety Detent Spring
4	Breechblock	25	Hammer	44	Safety Detent Spring Pin
5	Breechblock Arm	26	Hammer Spring Retainer	45	Safety Retaining Pins
6	Buttplate		Washer	46	Sear
7	Buttplate Screws	27	Hammer Strut	47	Sear Link
8	Buttstock	28	Hammer Transfer Block	48	Sear Link Pins
9	Ejector	29	Hammer Transfer Block Pivot Pin	49	Sear Pivot Pin
10	Ejector Cam	30	Latch Plunger Spring	50	Sear Spring
11	Ejector Cam Pivot Pin	31	Latch Plunger Set Screw	51	Front Sight
12	Ejector Plunger	32	Latch Plunger	52	Rear Sight
13	Ejector Plunger Spring	33	Lever	53	Stock Bolt
14	Ejector Roller	34	Lever and Arm Link Assembly	54	Stock Bolt Washer
15	Ejector Strut	35	Lever Pivot Pin	55	Trigger
16	Ejector Strut Adjustment Screw	36	Lever Pivot Screw	56	Trigger Adjustment Spring
17	Ejector Strut Spring	37	Mainspring	57	Trigger Pivot Pin
18	Ejector Strut Swivel	38	Safety	58	Trigger Spring Adjustment Screw
19	Firing Pin	39	Safety Arm	59	Trigger Stop Screw
20	Firing Pin Spring	40	Safety Arm Pivot Pin	60	Receiver
21	Forend				

Red Label Over/Under Shotgun



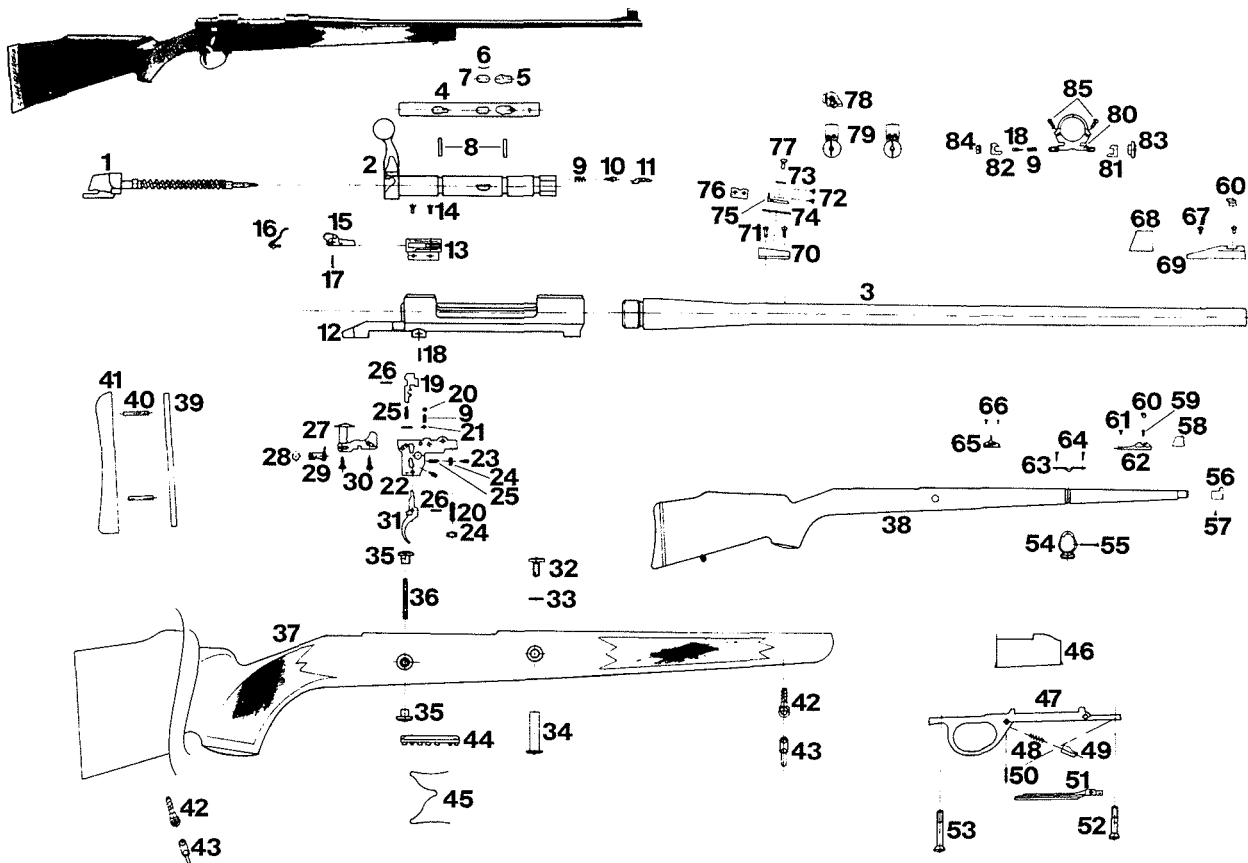
- | | | | | | |
|----|------------------------------|----|--------------------------------------|----|----------------------------------|
| 1 | Trigger Guard | 30 | Ejector Plungers | 58 | Top Lever Spring |
| 2 | Barrel Assembly | 31 | Ejector Springs | 59 | Inertia Weight Spring |
| 3 | Stock | 32 | Ejector Spring Guides | 60 | Sear Selector Actuator |
| 4 | Forend | 33 | Safety Thumb-Piece | 61 | Recoil Pad |
| 5 | Top Lever | 34 | Cocking Cam Pivot Pin | 62 | Link |
| 6 | Ejector, Right | 35 | Trigger Guard Retaining Pin | 63 | Trigger Stop Pin |
| 7 | Ejector, Left | 36 | Blocking Bar Retaining Pin | 64 | Link Retaining Pin |
| 8 | Locking Bolt | 37 | Stock Bolt | 65 | Sear Selector Pivot Pin |
| 9 | Firing Pins | 38 | Stock Bolt Washer | 66 | Front Sight |
| 10 | Firing Pin Springs | 39 | Safety Detent Plunger | 67 | Top Lever Trip |
| 11 | Sear Ejector, Right | 40 | Forend Latch Lever Pin | 68 | Top Lever Trip Plunger |
| 12 | Sear Ejector, Left | 41 | Forend Latch Spring | 69 | Top Lever Trip Plunger Spring |
| 13 | Cocking Rods | 42 | Sear Spring | 70 | Forend Latch Plunger |
| 14 | Cocking Cam, Right | 43 | Hammer Pivot Pin | 71 | Hammer Interrupter |
| 15 | Cocking Cam, Left | 44 | Cocking Cam Springs | 72 | Forend Filler Block, Right |
| 16 | Sear Selector | 45 | Cocking Cam Sleeves | 73 | Forend Filler Block, Left |
| 17 | Hammer, Right | 46 | Ejector Sear Plungers | 74 | Forend Iron Sub-Assembly |
| 18 | Hammer, Left | 47 | Ejector Sear Plunger Springs | 75 | Forend Filler Screws |
| 19 | Hammer Springs | 48 | Forend Iron Escutcheon Screw | 76 | Interrupter Plunger Spring |
| 20 | Trigger | 49 | Blocking Bar | 77 | Recoil Pad Screws |
| 21 | Trigger Pin | 50 | Sear Selector Pivot Pin | 78 | Interrupter Plunger |
| 22 | Sear Pivot Pin | 51 | Sear Selector Actuator Retaining Pin | 79 | Pistol Grip Cap |
| 23 | Barrel Filler Strip | 52 | Firing Pin Retaining Pin | 80 | Pistol Grip Cap Screw |
| 24 | Sear, Right | 53 | Inertia Weight Pivot Pins | 81 | Pistol Grip Cap Medallion |
| 25 | Sear, Left | 54 | Safety Block | 82 | Forend Escutcheon Medallion |
| 26 | Hammer Strut Assembly, Right | 55 | Inertia Weight | 83 | Receiver |
| 27 | Hammer Strut Assembly, Left | 56 | Safety Detent Springs | 84 | Safety Thumb-Piece Detent |
| 28 | Forend Iron Escutcheon | 57 | Top Lever Spring Strut | 85 | Safety Thumb-Piece Detent Spring |
| 29 | Forend Latch Lever | | | | |

Red Label Over/Under Shotgun



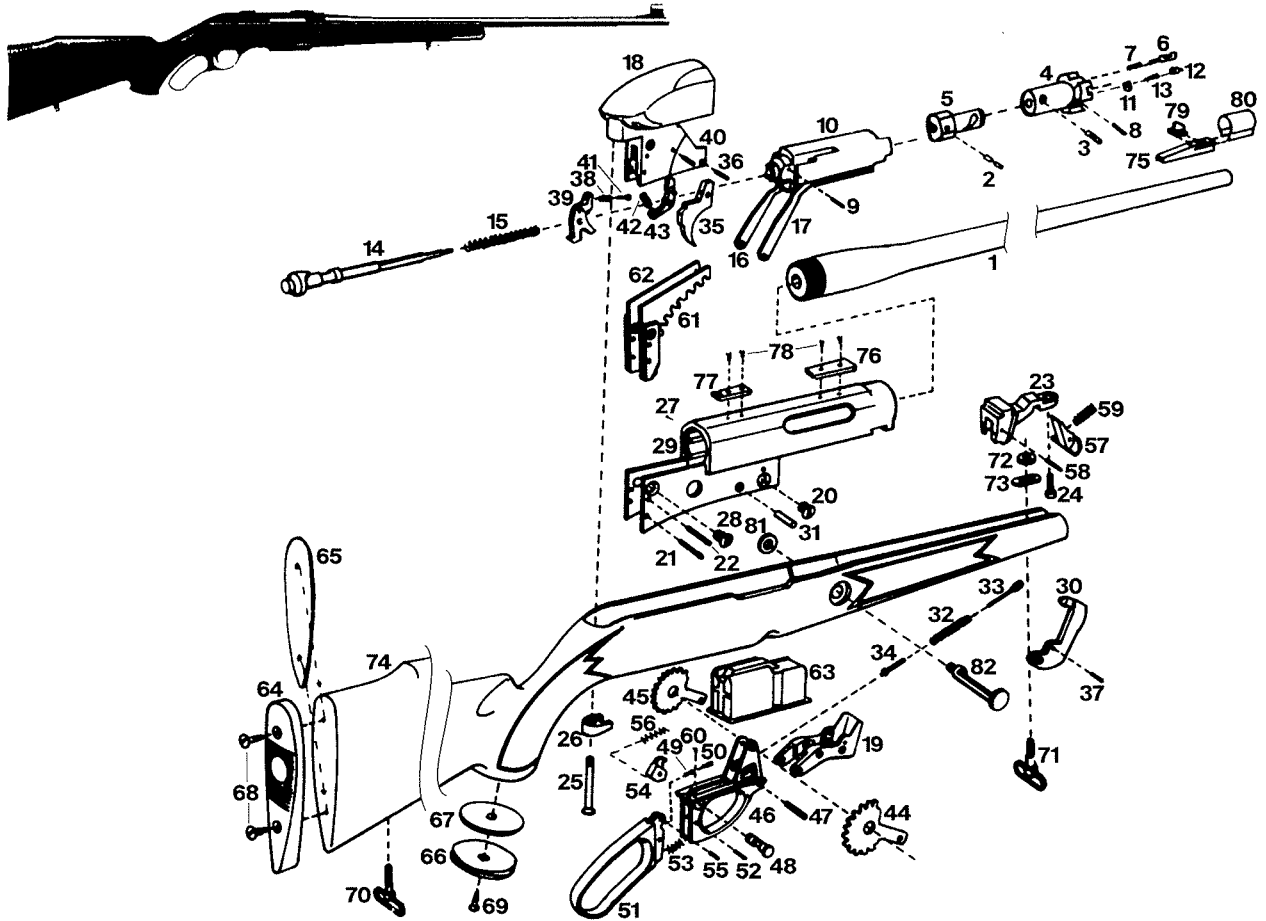
1	Trigger Guard	30	Ejector Plungers	58	Top Lever Spring
2	Barrel Assembly	31	Ejector Springs	59	Inertia Weight Spring
3	Stock	32	Ejector Spring Guides	60	Sear Selector Actuator
4	Forend	33	Safety Thumb-Piece	61	Recoil Pad
5	Top Lever	34	Cocking Cam Pivot Pin	62	Link
6	Ejector, Right	35	Trigger Guard Retaining Pin	63	Trigger Stop Pin
7	Ejector, Left	36	Blocking Bar Retaining Pin	64	Link Retaining Pin
8	Locking Bolt	37	Stock Bolt	65	Sear Selector Pivot Pin
9	Firing Pins	38	Stock Bolt Washer	66	Front Sight
10	Firing Pin Springs	39	Safety Detent Plunger	67	Top Lever Trip
11	Sear Ejector, Right	40	Forend Latch Lever Pin	68	Top Lever Trip Plunger
12	Sear Ejector, Left	41	Forend Latch Spring	69	Top Lever Trip Plunger Spring
13	Cocking Rods	42	Sear Spring	70	Forend Latch Plunger
14	Cocking Cam, Right	43	Hammer Pivot Pin	71	Hammer Interrupter
15	Cocking Cam, Left	44	Cocking Cam Springs	72	Forend Filler Block, Right
16	Sear Selector	45	Cocking Cam Sleeves	73	Forend Filler Block, Left
17	Hammer, Right	46	Ejector Sear Plungers	74	Forend Iron Sub-Assembly
18	Hammer, Left	47	Ejector Sear Plunger Springs	75	Forend Filler Screws
19	Hammer Springs	48	Forend Iron Escutcheon Screw	76	Interrupter Plunger Spring
20	Trigger	49	Blocking Bar	77	Recoil Pad Screws
21	Trigger Pin	50	Sear Selector Pivot Pin	78	Interrupter Plunger
22	Sear Pivot Pin	51	Sear Selector Actuator Retaining Pin	79	Pistol Grip Cap
23	Barrel Filler Strip	52	Firing Pin Retaining Pin	80	Pistol Grip Cap Screw
24	Sear, Right	53	Inertia Weight Pivot Pins	81	Pistol Grip Cap Medallion
25	Sear, Left	54	Safety Block	82	Forend Escutcheon Medallion
26	Hammer Strut Assembly, Right	55	Inertia Weight	83	Receiver
27	Hammer Strut Assembly, Left	56	Safety Detent Springs	84	Safety Thumb-Piece Detent
28	Forend Iron Escutcheon	57	Top Lever Spring Strut	85	Safety Thumb-Piece Detent Spring
29	Forend Latch Lever				

Finnbear and Forrester Bolt-Action Rifle



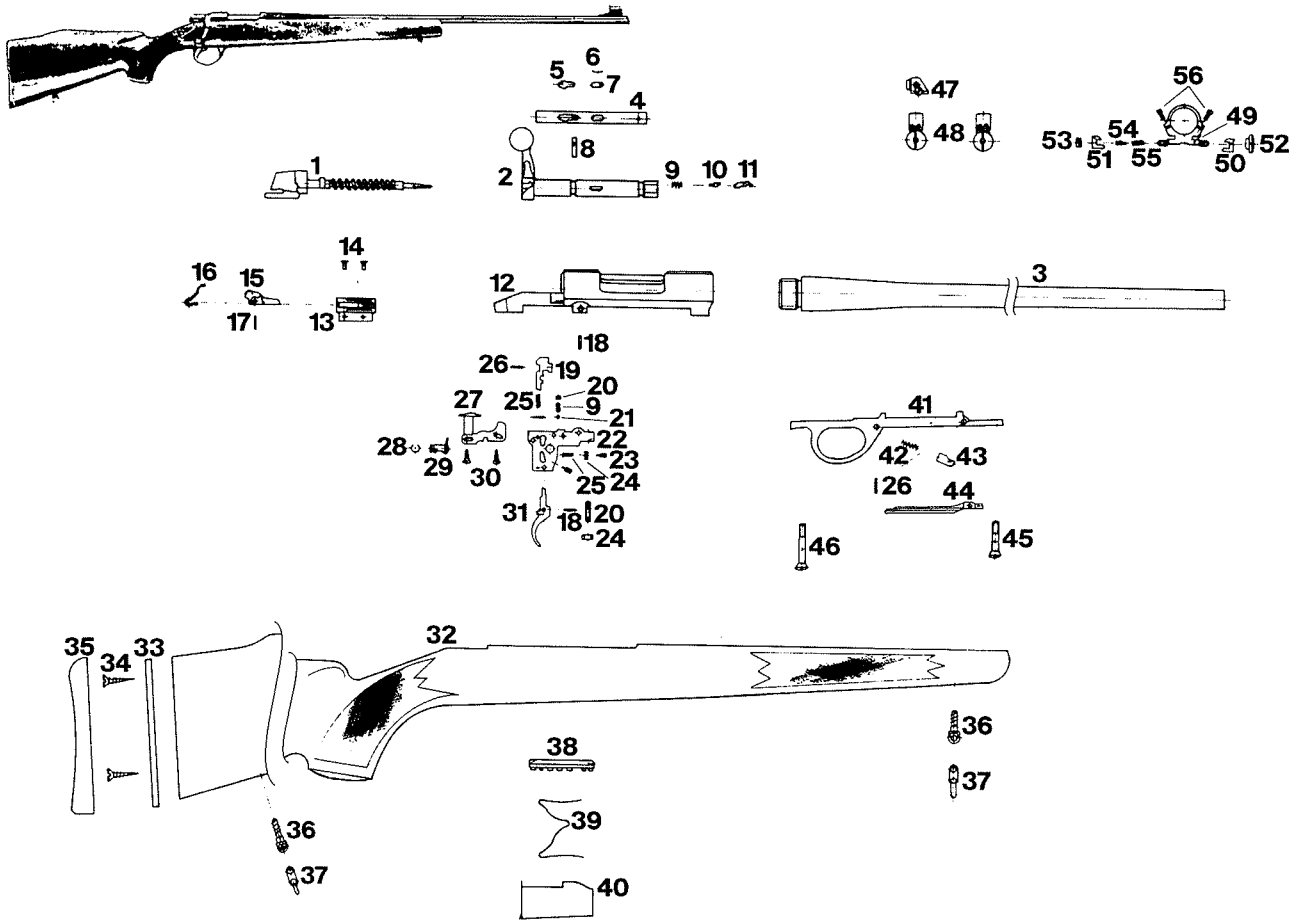
1	Firing Pin Assembly	30	Knob Plate Screws	59	Front Mounting Screw
2	Bolt	31	Trigger	60	Beads
3	Barrel	32	Recoil Lug Screw, Front	61	Rear Mounting Screw
4	Bolt Guide	33	Recoil Lug Spacer	62	Sight Base
5	Bolt Guide Stop Plate	34	Recoil Lug Nut, Front	63	Connecting Plate
6	Bolt Guide Stop Plate Spring	35	Recoil Lug Nuts, Rear	64	Connecting Plate Screws
7	Bolt Guide Stop Spring	36	Recoil Lug Screw, Rear	65	Rear Sight
8	Bolt Guide Mounting Rings	37	Stock Complete, Rifle	66	Rear Sight Mounting Screws
9	Springs	38	Stock Complete, Carbine	67	Sight Base Mounting Screws
10	Extractor Plunger	39	Buttplate Base	68	Front Sight Hood
11	Extractor	40	Mounting Screws	69	Front Sight Base
12	Receiver	41	Buttplate	70	Rear Sight Base
13	Bolt Stop Body	42	Swivel Screws	71	Mounting Screws
14	Bolt Stop Mounting Screws	43	Swivels	72	Sight Body Mounting Screws
15	Bolt Stop	44	Magazine Follower	73	Washer
16	Bolt Stop Spring	45	Magazine Spring	74	Covering Plate
17	Bolt Stop Pin	46	Magazine Box	75	Sight Body
18	Pins	47	Trigger Guard	76	Sight Blade
19	Cocking Piece	48	Floorplate Catch Spring	77	Mounting Screw
20	Set Screws	49	Floorplate Catch	78	Peep Sight Complete
21	Ball	50	Spring Pin	79	Scope Mount Complete
22	Trigger Mechanism Body	51	Floorplate	80	Scope Mount Base
23	Adjusting Screw	52	Front Fastening Screw	81	Scope Mount Locking Piece
24	Hexagon Nut	53	Rear Fastening Screw	82	Scope Mount Adjusting Piece
25	Trigger Spring	54	Stock Band	83	Tightening Screw
26	Spring Pin	55	Stock Band Screw	84	Tightening Screw
27	Knob Plate	56	Muzzle Cap	85	Fastening Screws
28	Stop Ring	57	Muzzle Cap Screw		
29	Safety Shaft Assembly	58	Front Sight Hood		

Finnwolf Lever-Action Rifle



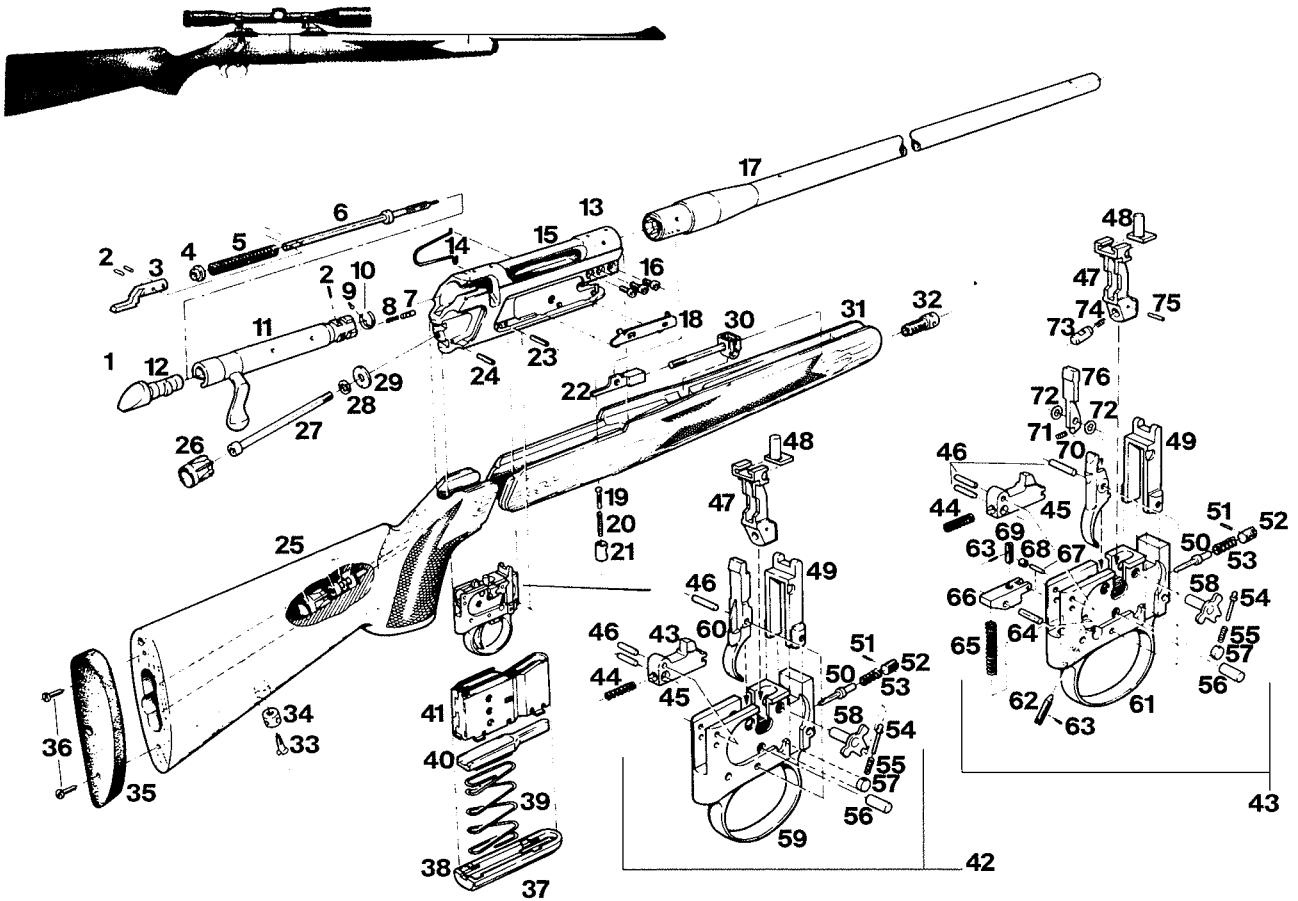
1	Barrel	29	Receiver	55	Finger Lever Catch Pin
2	Connector Link Pin	30	Hammer	56	Finger Lever Catch Spring
3	Bolt Guide Pin	31	Hammer Pin	57	Magazine Catch
4	Breechbolt	32	Hammer Spring	58	Magazine Catch Pin
5	Slide	33	Hammer Spring Guide Rod	59	Magazine Catch Spring
6	Ejector	34	Hammer Spring Guide	60	Safety Guide Screw
7	Ejector Spring	35	Trigger	61	Rack, Right
8	Ejector Pin	36	Trigger Pin	62	Rack, Left
9	Firing Pin Dowel	37	Hammer Spring and Guide Rod Pin	63	Magazine Complete
10	Bolt Body	38	Trigger Spring	64	Buttplate
11	Extractor	39	Front Safety	65	Buttplate Spacer
12	Extractor Guide	40	Front Safety Pin	66	Pistol Grip Cap
13	Extractor Spring	41	Trigger Spring Rod	67	Pistol Grip Cap Spacer
14	Firing Pin	42	Hammer Catch Spring	68	Buttplate Screws
15	Firing Pin Spring	43	Hammer Catch Complete	69	Pistol Grip Cap Screw
16	Connector Link, Left	44	Rack Lever, Right	70	Stock Swivel
17	Connector Link, Right	45	Rack Lever, Left	71	Upper Swivel
18	Receiver Rear Piece	46	Trigger Guard	72	Upper Swivel Nut
19	Magazine Rear Stop	47	Trigger Guard Pin	73	Upper Swivel Bottom Plate
20	Sideplate Screw	48	Safety	74	Stock
21	Sideplate Pin	49	Safety Spring	75	Front Sight Ramp
22	Sideplate Dowel Pin	50	Safety Button	76	Front Scope Block
23	Magazine Catch Body	51	Finger Lever	77	Rear Scope Block
24	Front Guard Screw	52	Finger Lever Pin	78	Scope Block Screws
25	Rear Guard Screw	53	Finger Lever Spring	79	Front Sight Bead
26	Rear Guard Screw Base	54	Finger Lever Catch	80	Sight Hood
27	Plug Screw			81	Recoil Bolt Nut
28	Rear Tie Screw			82	Recoil Bolt

Vixen Bolt-Action Rifle



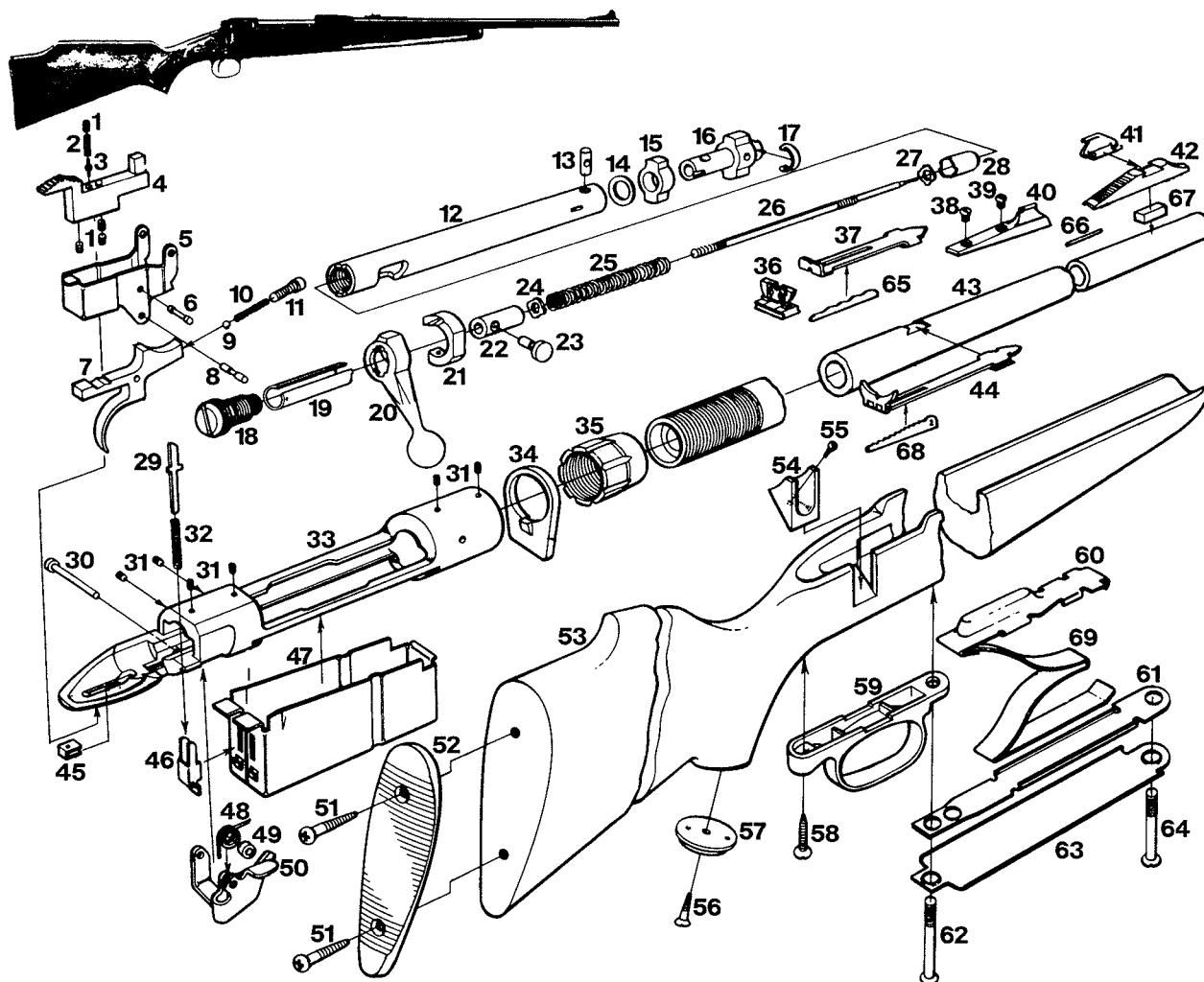
1	Firing Pin Assembly	29	Safety Shaft Assembly
2	Bolt	30	Knob Plate Screws
3	Barrel	31	Trigger
4	Bolt Guide	32	Stock Complete
5	Bolt Guide Stop Plate	33	Buttplate Base
6	Bolt Guide Stop Plate Spring	34	Mounting Screws
7	Bolt Guide Stop Spring	35	Buttplate
8	Bolt Guide Mounting Spring	36	Swivel Screws
9	Springs	37	Swivels
10	Extractor Plunger	38	Magazine Follower
11	Extractor	39	Magazine Spring
12	Receiver	40	Magazine Box
13	Bolt Stop Body	41	Trigger Guard
14	Bolt Stop Mounting Screws	42	Floorplate Catch Spring
15	Bolt Stop	43	Floorplate Catch
16	Bolt Stop Spring	44	Floorplate
17	Bolt Stop Pin	45	Front Fastening Screw
18	Pins	46	Rear Fastening Screw
19	Cocking Piece	47	Peep Sight Complete
20	Set Screws	48	Scope Mount Complete
21	Ball	49	Scope Mount Base
22	Trigger Mechanism Body	50	Scope Mount Locking Piece
23	Adjusting Screw	51	Scope Mount Adjusting Piece
24	Hexagon Nut	52	Tightening Screw
25	Trigger Springs	53	Tightening Screw
26	Spring Pin	54	Pin
27	Knob Plate	55	Spring
28	Stop Ring	56	Fastening Screws

200 Bolt-Action Rifle



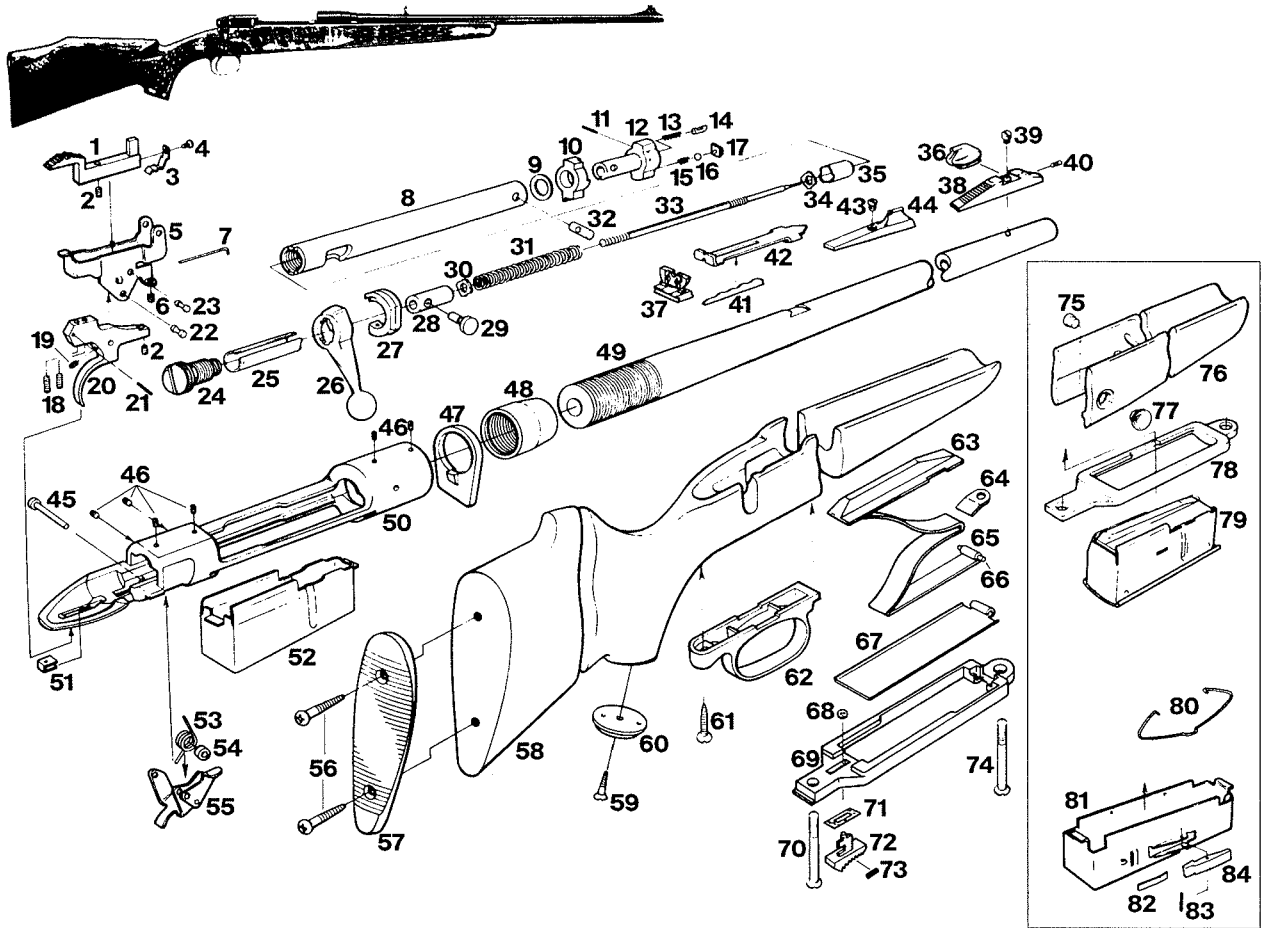
1	Bolt Assembly	26	Retaining Bushing	52	Adjusting Screw for Trigger Spring
2	Slotted Spring Pins	27	Buttstock Screw	53	Compression Spring
3	Firing Pin Nut	28	Washer	54	Spring Pin
4	Collar Bushing	29	Serrated Washer	55	Rocker Arm Spring
5	Firing Pin Spring	30	Forend Screw	56	Cylindrical Pin
6	Firing Pin	31	Forend	57	Spring Support
7	Ejector Pin	32	Sling Swivel Socket for Forend	58	Rocker Arm
8	Compression Spring for Ejector	33	Countersunk-Head Wood Screw	59	Trigger Housing
9	Extractor Rivet	34	Sling Swivel Bushing	60	Direct Trigger
10	Extractor	35	Butt Cap	61	Trigger Housing
11	Bolt Body	36	Butt Cap Screws	62	Adjusting Screw for Set Trigger
12	Cocking Sleeve	37	Magazine	63	Screw Locks
13	Receiver/Barrel	38	Magazine Base	64	Cylindrical Pin
14	Magazine Ejector Spring	39	Magazine Spring	65	Compression Spring for Set Trigger
15	Receiver	40	Feeder	66	Striking Lever for Set Trigger
16	Clamping Screws	41	Magazine Box	67	Cylindrical Pin
17	Barrel	42	Direct Trigger Assembly	68	Roller
18	Magazine Catch	43	Double-Set Trigger Assembly	69	Discharge Screw
19	Guide Pin	44	Compression Spring for Sear	70	Double-Set Trigger
20	Compression Spring for Magazine Catch	45	Sear	71	Compression Spring for Finger Lever
21	Locking Catch	46	Cylindrical Pins	72	Shims
22	Insert	47	Safety Release Catch	73	Spring Pin
23	Slotted Spring Pin, Front	48	Action Catch Pin	74	Spring
24	Slotted Spring Pin, Rear	49	Safety Catch	75	Connex Slotted Spring Pin
25	Buttstock	50	Spring Pin	76	Trigger Bar
		51	Screw Lock		

Model 110, 110E, 110M, 110P and 110PE Bolt-Action Rifle



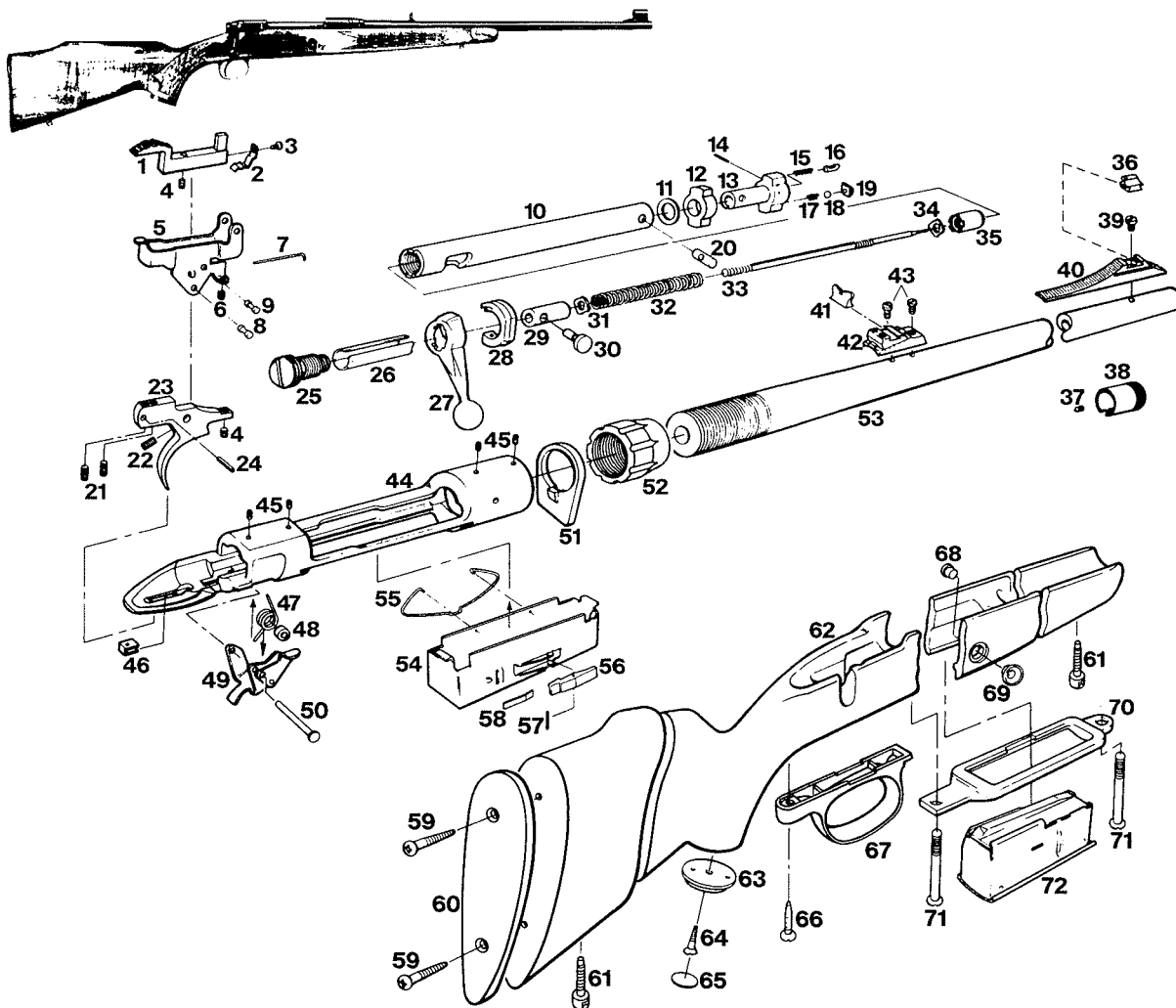
1	Trigger Pull Adjusting Screws	23	Cocking Piece Pin	47	Magazine Box
2	Trigger Spring	24	Cocking Piece Lock Washer	48	Sear Spring
3	Trigger Spring Plunger	25	Mainspring	49	Sear Bushing
4	Safety	26	Firing Pin	50	Sear
5	Trigger Bracket	27	Firing Pin Stop Nut Lock Washer	51	Buttplate Screws
6	Safety Bearing Pin	28	Firing Pin Stop Nut	52	Buttplate
7	Trigger	29	Ejector	53	Stock
8	Trigger Pin	30	Sear Pin	54	Bolt Handle Slot Liner
9	Steel Ball	31	Dummy Screws	55	Bolt Handle Slot Liner Screw
10	Trigger Pin Retaining Spring	32	Ejector Spring	56	Pistol Grip Cap Screw
11	Trigger Engagement Adjusting Screw	33	Receiver	57	Pistol Grip Cap
12	Bolt Body	34	Recoil Lug	58	Trigger Guard Screw
13	Bolt Head Retaining Pin	35	Barrel Lock Nut	59	Trigger Guard
14	Front Baffle Friction Washer	36	Rear Sight	60	Magazine Follower
15	Front Baffle	37	Rear Sight Step	61	Floorplate Insert
16	Bolt Head	38	Front Sight Screw, Short	62	Floorplate Screw, Rear
17	Extractor	39	Front Sight Screw, Long	63	Floorplate
18	Bolt Assembly Screw	40	Front Sight	64	Floorplate Screw, Front
19	Cocking Piece Sleeve	41	Front Sight Blade	65	Rear Sight Step
20	Bolt Handle	42	Front Sight and Base Assembly	66	Front Sight Pin
21	Rear Baffle	43	Barrel	67	Front Sight Dovetail Block
22	Cocking Piece	44	Rear Sight and Step	68	Rear Sight Step
		45	Trigger Adjusting Screw Cover	69	Magazine Spring
		46	Magazine Latch		

Model 110B, 110C, 110D and 110E Series J and K Bolt-Action Rifle



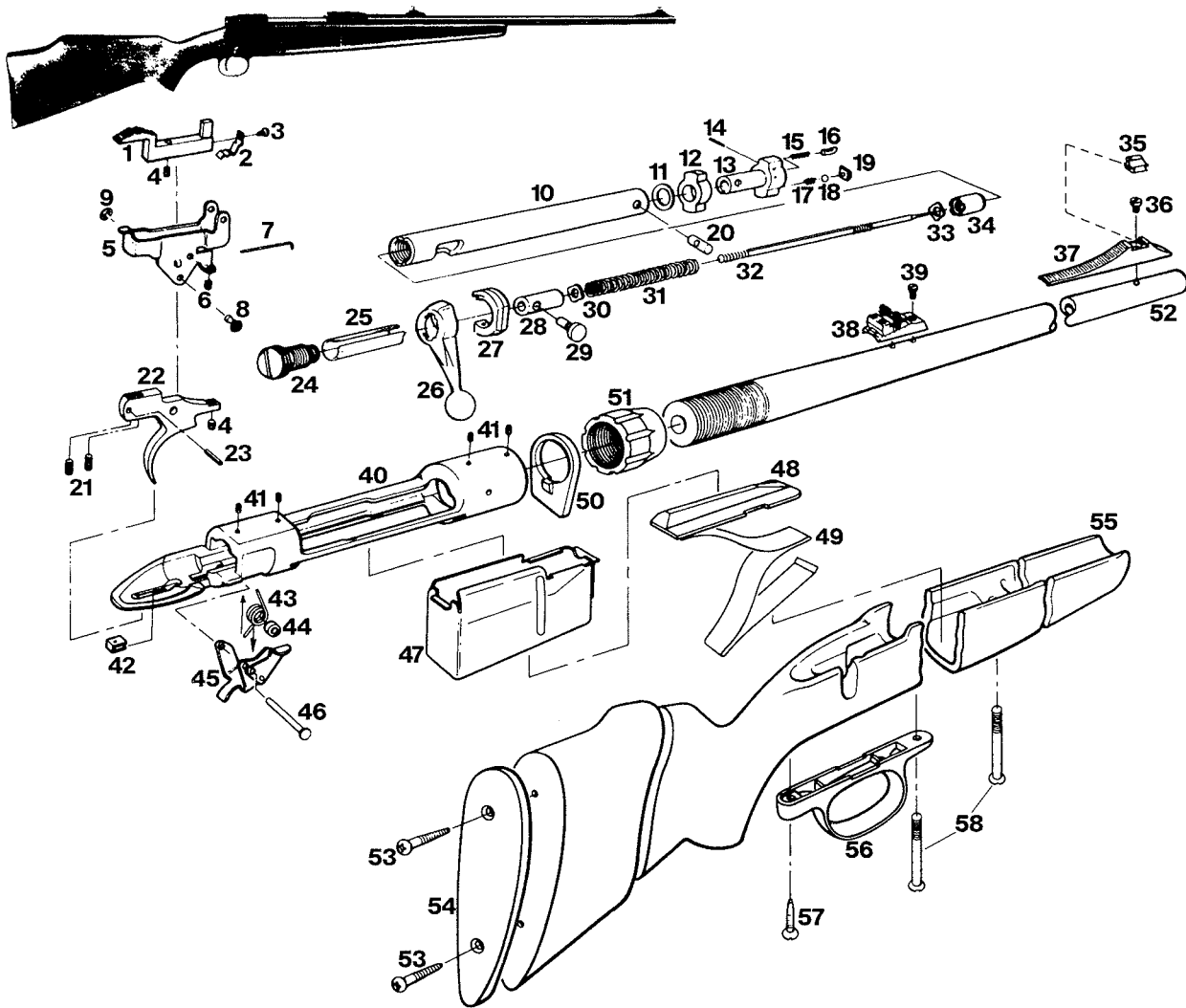
1	Safety	29	Cocking Piece Pin	57	Buttplate
2	Trigger Pull Adjusting Screw	30	Cocking Piece Link Washer	58	Stock
3	Safety Detent Spring	31	Mainspring	59	Pistol Grip Cap Screw
4	Safety Detent Spring Screw	32	Bolt Head Retaining Pin	60	Pistol Grip Cap
5	Trigger Bracket	33	Firing Pin Assembly	61	Trigger Guard Screw
6	Trigger Pull Adjusting Screw	34	Firing Pin Stop Nut Washer	62	Trigger Guard
7	Trigger Pull Adjusting Spring	35	Firing Pin Stop Nut	63	Magazine Follower Assembly
8	Bolt Body	36	Front Sight	64	Hinge Plate Spring
9	Front Baffle Friction Washer	37	Rear Sight	65	Magazine Spring
10	Front Baffle	38	Front Sight Base	66	Hinge Pin
11	Ejector Retaining Pin	39	Front Sight Screw	67	Hinged Plate
12	Bolt Head Assembly	40	Front Sight Adjusting Screw	68	Magazine Latch Retaining Ring
13	Ejector Spring	41	Rear Sight Step	69	Floorplate
14	Ejector	42	Rear Sight	70	Floorplate Screw, Rear
15	Extractor Spring	43	Front Sight Screw	71	Magazine Latch Spacer
16	Steel Ball	44	Front Sight Assembly	72	Magazine Latch
17	Extractor	45	Sear Pin	73	Magazine Latch Spring
18	Trigger Travel Adjusting Screws	46	Dummy Screw	74	Floorplate Screw, Front
19	Trigger Pin Retaining Screws	47	Recoil Lug	75	Magazine Latch Button
20	Trigger	48	Barrel Lock Nut	76	Stock
21	Trigger Spring Pin	49	Barrel	77	Escutcheon
22	Trigger Pin	50	Receiver	78	Floorplate
23	Safety Bearing Pin	51	Trigger Adjusting Screw Cover	79	Magazine Assembly
24	Bolt Assembly Screw	52	Magazine Box	80	Magazine Ejector Spring
25	Cocking Piece Sleeve	53	Sear Spring	81	Magazine Guide
26	Bolt Handle	54	Sear Bushing	82	Magazine Latch Spring
27	Rear Baffle Assembly	55	Sear Assembly	83	Magazine Latch Pin
28	Cocking Piece	56	Buttplate Screws	84	Magazine Latch

Model 110C and 110CL Bolt-Action Rifle



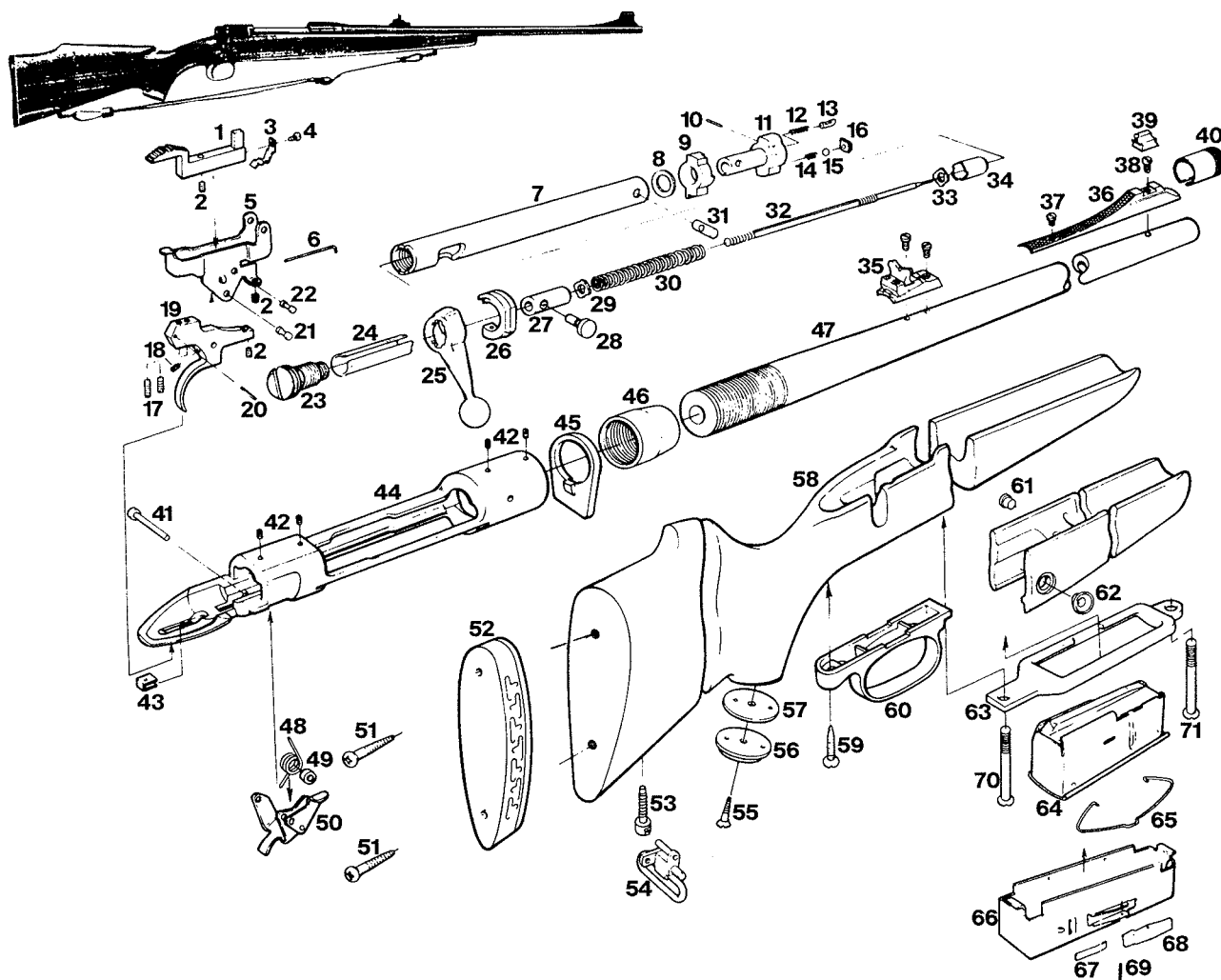
1	Safety	25	Bolt Assembly Screw	49	Sear Assembly
2	Safety Detent Spring	26	Cocking Piece Sleeve	50	Sear Pin
3	Safety Detent Spring Screw	27	Bolt Handle	51	Recoil Lug
4	Trigger Pull Adjusting Screw	28	Rear Baffle Assembly	52	Barrel Lock Nut
5	Trigger Bracket	29	Cocking Piece	53	Barrel
6	Trigger Pull Adjusting Screw	30	Cocking Piece Pin	54	Magazine Guide
7	Trigger Pull Adjusting Spring	31	Cocking Piece Link Washer	55	Magazine Ejector Spring
8	Trigger Pin	32	Mainspring	56	Magazine Latch
9	Safety Bearing Pin	33	Firing Pin Assembly	57	Magazine Latch Pin
10	Bolt Body	34	Firing Pin Stop Nut Washer	58	Magazine Latch Spring
11	Front Baffle Friction Washer	35	Firing Pin Stop Nut	59	Buttplate Screws
12	Front Baffle	36	Front Sight	60	Buttplate
13	Bolt Head Assembly	37	Front Sight Pin	61	Swivel Studs
14	Ejector Retaining Pin	38	Front Sight Hood	62	Stock
15	Ejector Spring	39	Front Sight Screw	63	Pistol Grip Cap
16	Ejector	40	Front Sight Ramp	64	Pistol Grip Cap Screw
17	Extractor Spring	41	Rear Sight Blade	65	Medallion
18	Steel Ball	42	Rear Sight Base	66	Trigger Guard Screw
19	Extractor	43	Rear Sight Screws	67	Trigger Guard
20	Bolt Head Retaining Pin	44	Receiver	68	Magazine Latch Button
21	Trigger Travel Adjusting Screws	45	Dummy Screws	69	Escutcheon
22	Trigger Pin Retaining Screw	46	Trigger Adjusting Screw Cover	70	Floorplate
23	Trigger	47	Sear Spring	71	Floorplate Screws
24	Trigger Spring Pin	48	Sear Bushing	72	Magazine Box

Model 110E, 110B, 110F and 110V Bolt-Action Rifle



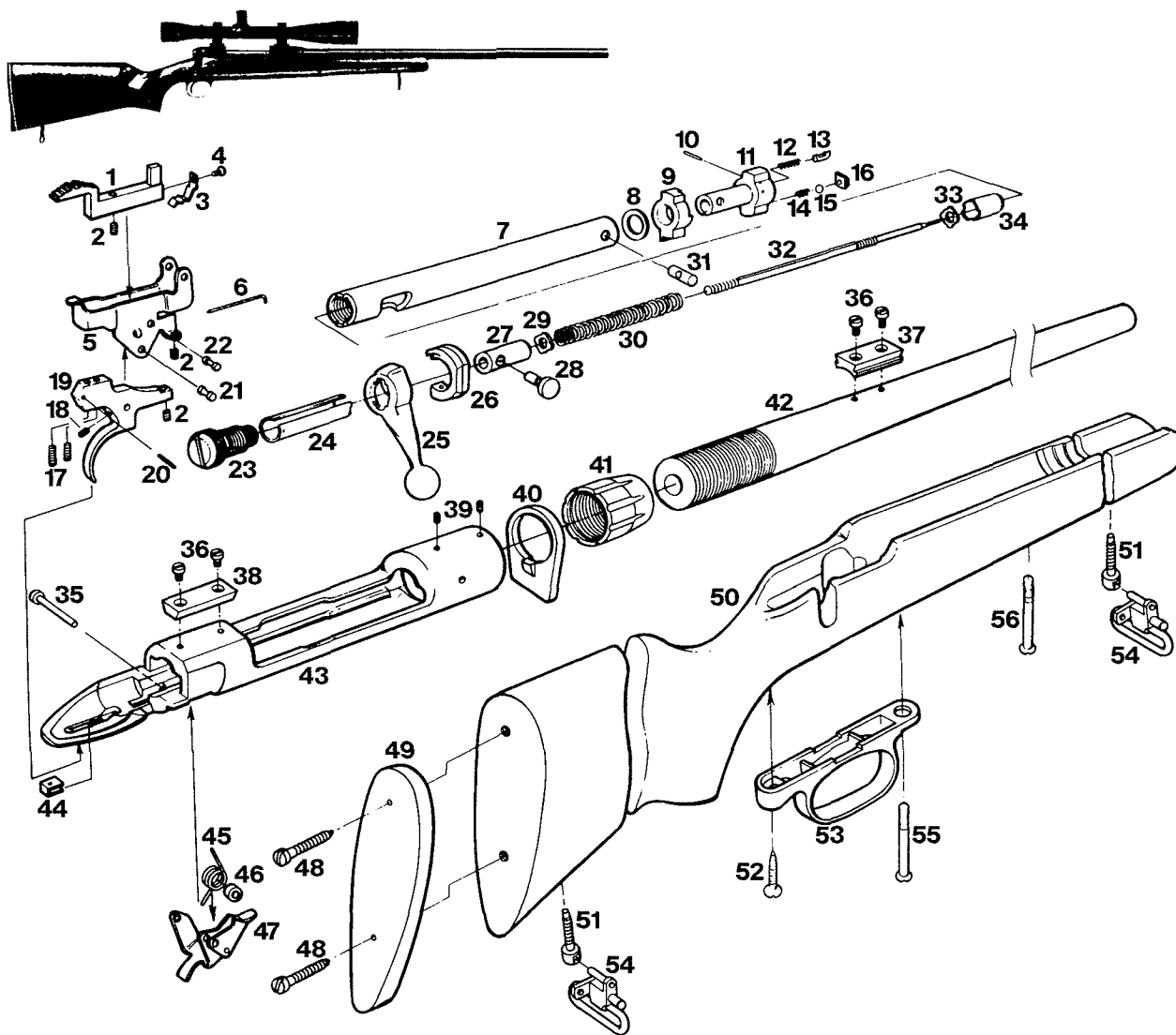
1	Safety	21	Trigger Travel Adjusting Screws	41	Dummy Screws
2	Safety Detent Spring	22	Trigger	42	Trigger Adjusting Screw Lever
3	Safety Detent Spring Screw	23	Trigger Spring Pin	43	Sear Spring
4	Trigger Pull Adjusting Screw	24	Bolt Assembly Screw	44	Sear Bushing
5	Trigger Bracket	25	Cocking Piece Sleeve	45	Sear Assembly
6	Trigger Pull Adjusting Screw	26	Bolt Handle	46	Sear Pin
7	Trigger Pull Adjusting Spring	27	Rear Baffle Assembly	47	Magazine Guide
8	Trigger Pin	28	Cocking Piece	48	Magazine Follower
9	Trigger Pin Clip	29	Cocking Piece Pin	49	Magazine Spring
10	Bolt Body	30	Cocking Piece Link Washer	50	Recoil Lug
11	Front Baffle Friction Washer	31	Mainspring	51	Barrel Lock Nut
12	Front Baffle	32	Firing Pin Assembly	52	Barrel
13	Bolt Head Assembly	33	Firing Pin Stop Nut Washer	53	Buttplate Screws
14	Ejector Retaining Pin	34	Firing Pin Stop Nut	54	Buttplate
15	Ejector Spring	35	Front Sight	55	Stock
16	Ejector	36	Front Sight Screw	56	Trigger Guard
17	Extractor Spring	37	Front Sight Ramp	57	Trigger Guard Screw
18	Steel Ball	38	Rear Sight	58	Floorplate Screws
19	Extractor	39	Rear Sight Screw		
20	Bolt Head Retaining Pin	40	Receiver		

Model 111 Series J Bolt-Action Rifle



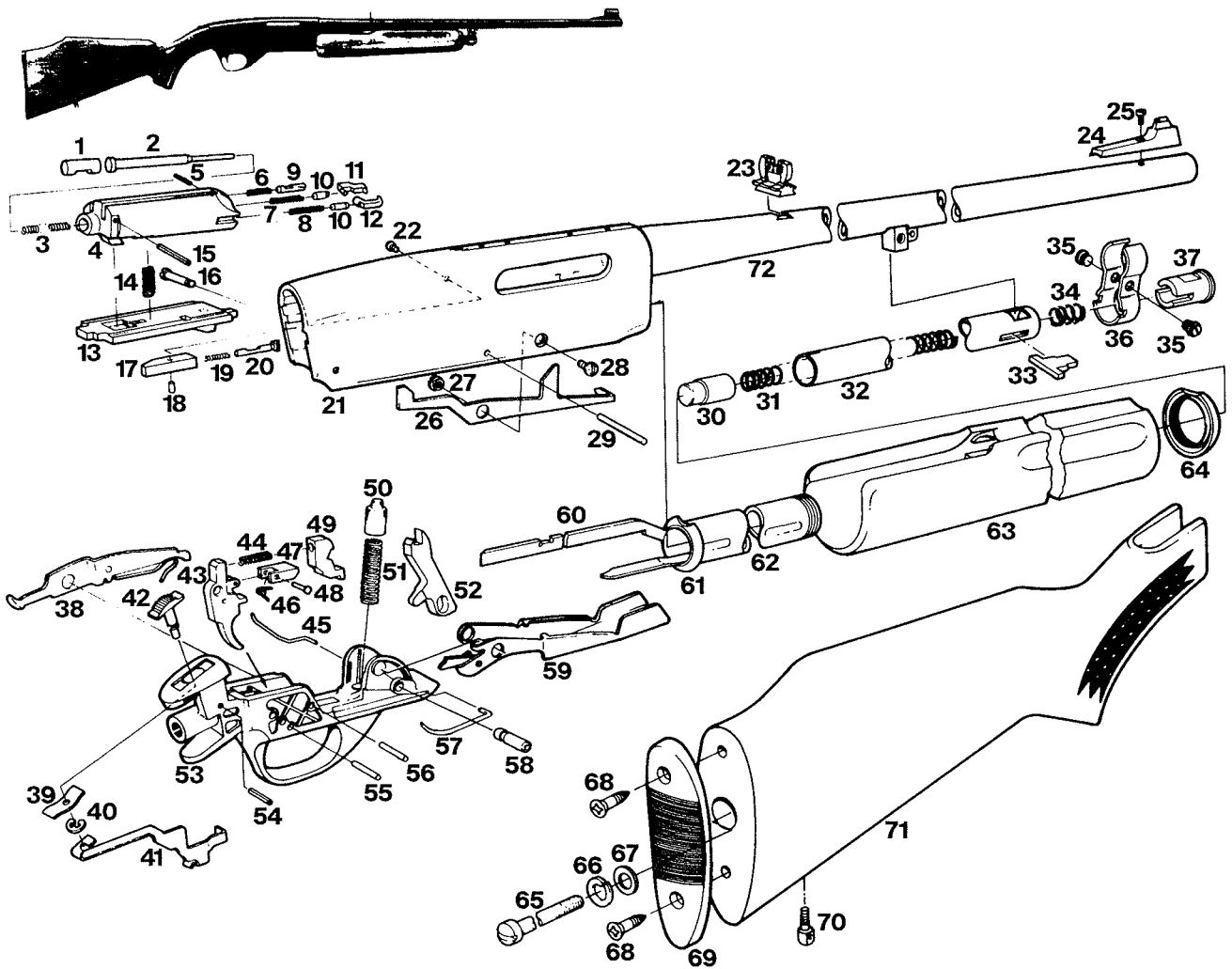
1	Safety	25	Bolt Handle	49	Sear Bushing
2	Trigger Pull Adjusting Screws	26	Rear Baffle Assembly	50	Sear Assembly
3	Safety Detent Spring	27	Cocking Piece	51	Buttplate Screws
4	Safety Detent Spring Screw	28	Cocking Piece Pin	52	Buttplate
5	Trigger Bracket	29	Cocking Piece Link Washer	53	Swivel Stud
6	Trigger Pull Adjusting Spring	30	Mainspring	54	Swivel
7	Bolt Body	31	Bolt Head Retaining Pin	55	Pistol Grip Cap Screw
8	Front Baffle Friction Washer	32	Firing Pin	56	Pistol Grip Cap
9	Front Baffle	33	Firing Pin Stop Nut Washer	57	Pistol Grip Cap Liner
10	Ejector Retaining Pin	34	Firing Pin Stop Nut	58	Stock
11	Bolt Head	35	Rear Sight Assembly	59	Trigger Guard Screw
12	Ejector Spring	36	Front Sight Base	60	Trigger Guard
13	Ejector	37	Front Sight Screw, Short	61	Magazine Latch Button
14	Extractor Spring	38	Front Sight Screw, Long	62	Escutcheon
15	Steel Ball	39	Front Sight	63	Floorplate
16	Extractor	40	Front Sight Hood	64	Magazine Assembly
17	Trigger Travel Adjusting Screws	41	Sear Pin	65	Magazine Ejector Spring
18	Trigger Pin Retaining Screw	42	Dummy Screws	66	Magazine Guide
19	Trigger	43	Trigger Adjusting Screw Cover	67	Magazine Latch Spring
20	Trigger Spring Pin	44	Receiver	68	Magazine Latch
21	Trigger Pin	45	Recoil Lug	69	Magazine Latch Pin
22	Safety Bearing Pin	46	Barrel Lock Nut	70	Floorplate Screw, Rear
23	Bolt Assembly Screw	47	Barrel	71	Floorplate Screw, Front
24	Cocking Piece Sleeve	48	Sear Spring		

Model 112 Series J Bolt-Action Rifle



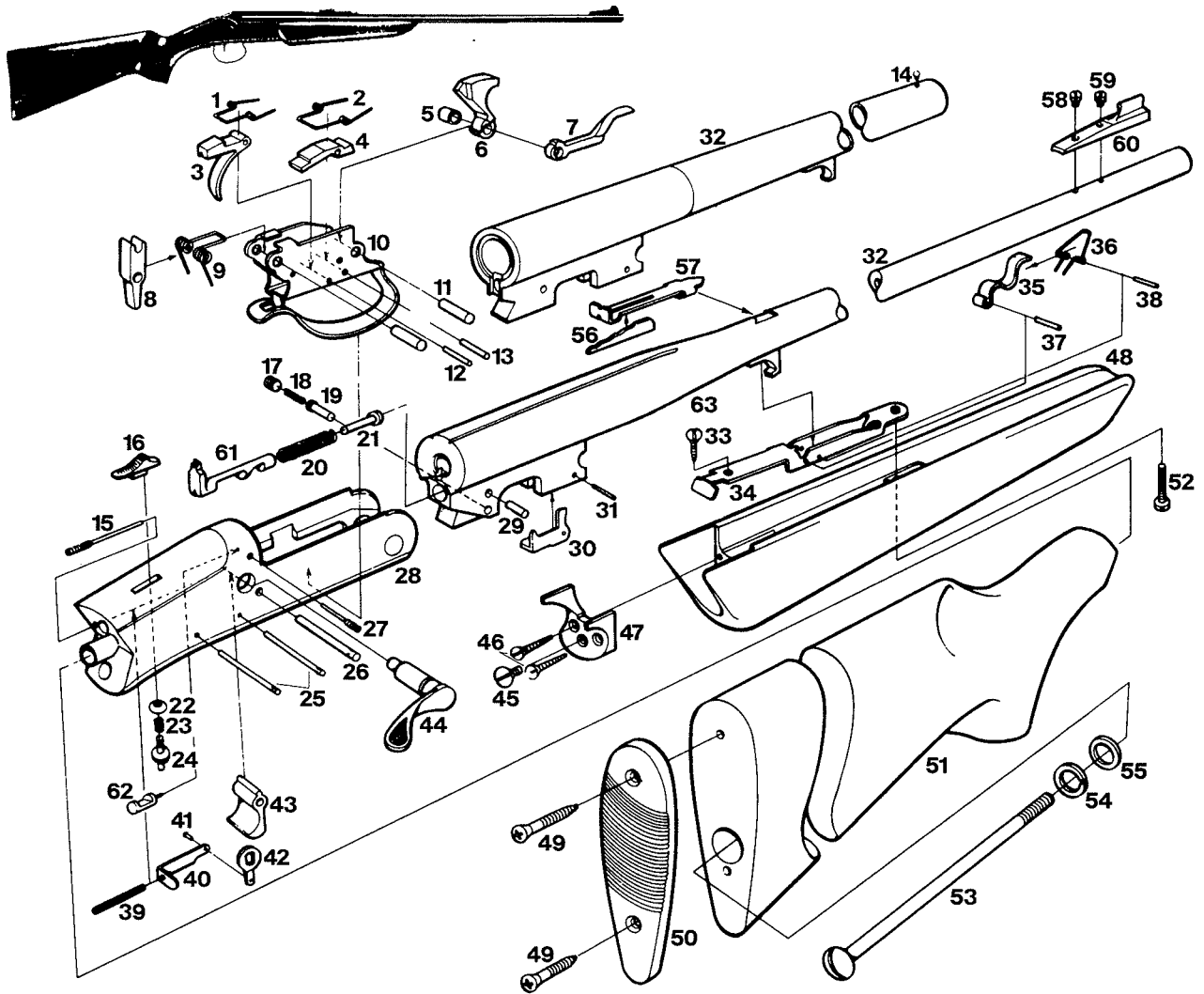
1	Safety	20	Trigger Spring Pin	39	Dummy Screws
2	Trigger Pull Adjusting Screws	21	Trigger Pin	40	Recoil Lug
3	Safety Detent Spring	22	Safety Bearing Pin	41	Barrel Lock Nut
4	Safety Detent Spring Screw	23	Bolt Assembly Screw	42	Barrel
5	Trigger Bracket	24	Cocking Piece Sleeve	43	Receiver
6	Trigger Pull Adjusting Spring	25	Bolt Handle	44	Trigger Pull Adjusting Screw
7	Bolt Body	26	Rear Baffle Assembly		Cover
8	Front Baffle Friction Washer	27	Cocking Piece	45	Sear Spring
9	Front Baffle	28	Cocking Piece Pin	46	Sear Bushing
10	Ejector Retaining Pin	29	Cocking Piece Link Washer	47	Sear
11	Bolt Head	30	Mainspring	48	Recoil Pad Screws
12	Ejector Spring	31	Bolt Head Retaining Pin	49	Recoil Pad
13	Ejector	32	Firing Pin	50	Stock
14	Extractor Spring	33	Firing Pin Stop Nut Washer	51	Swivel Studs
15	Steel Ball	34	Firing Pin Stop Nut	52	Trigger Guard Screw
16	Extractor	35	Sear Pin	53	Trigger Guard
17	Trigger Travel Adjusting Screws	36	Scope Block Screws	54	Swivel Loops
18	Trigger Pin Retaining Screw	37	Scope Block, Front	55	Floorplate Screw, Rear
19	Trigger	38	Scope Block, Rear	56	Floorplate Screw, Front

Model 170 and 170C Series A and B Slide-Action Rifle



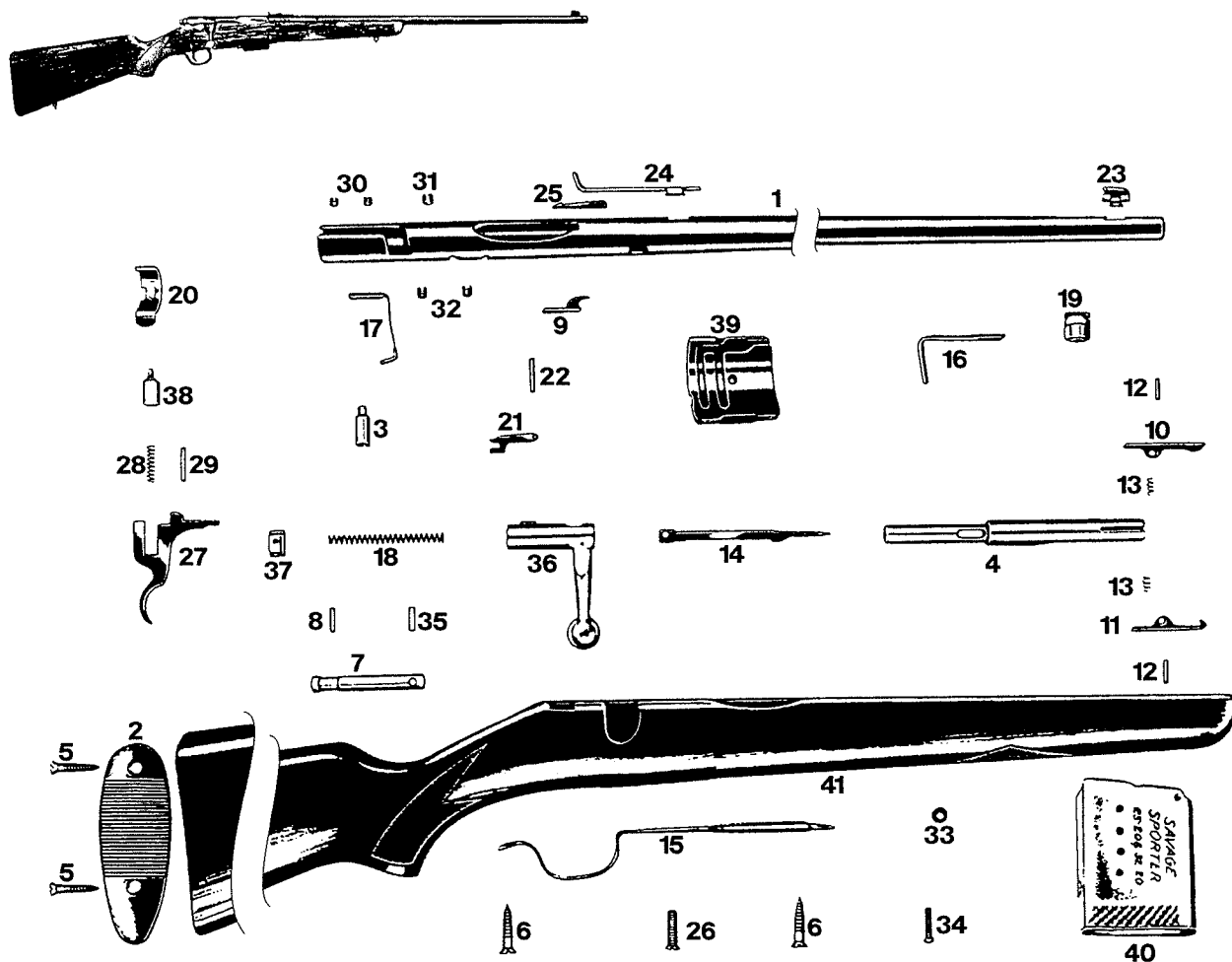
1	Firing Pin Extension	25	Front Sight Screw, Long	49	Sear
2	Firing Pin	26	Cartridge Stop	50	Mainspring Plunger
3	Firing Pin Spring	27	Cartridge Stop Pivot Nut	51	Mainspring
4	Breechbolt	28	Cartridge Stop Pivot Screw	52	Hammer
5	Shell Stop Retaining Pin	29	Trigger Guard Pin	53	Trigger Guard
6	Shell Stop Spring	30	Magazine Follower	54	Safety-Lever Retaining Pin
7	Extractor Spring, Left	31	Magazine Spring	55	Trigger Pin
8	Extractor Spring, Right	32	Magazine Tube	56	Sear Pin
9	Shell Stop	33	Damper	57	Lifter Spring
10	Extractor Plungers	34	Damper Spring	58	Hammer Bushing
11	Extractor, Left	35	Magazine Tube Screws	59	Lifter
12	Extractor, Right	36	Magazine Tube Yoke	60	Operating Handle Bar
13	Slide	37	Magazine Plug	61	Operating Handle Collar, Rear
14	Bolt Support Spring	38	Slide Lock Assembly	62	Operating Handle Tube
15	Firing Pin Stop Pin	39	Safety Spring	63	Operating Handle
16	Trigger Guard Screw	40	Safety Retaining Ring	64	Operating Handle Collar, Front
17	Ejector Assembly	41	Safety-Lever	65	Stock Bolt
18	Ejector Pin	42	Safety	66	Stock Bolt Lock Washer
19	Ejector Spring	43	Trigger Assembly	67	Stock Bolt Washer
20	Ejector Plunger	44	Trigger Spring	68	Buttplate Screws
21	Receiver	45	Slide Lock Release Spring	69	Buttplate
22	Ejector Screw	46	Sear Trip Spring	70	Swivel Stud
23	Rear Sight	47	Sear Trip	71	Stock
24	Front Sight	48	Sear Trip Pin	72	Barrel

Model 219L and 219LD Single Shot Rifle and Model 220L and 220LD Single Shot Shotgun



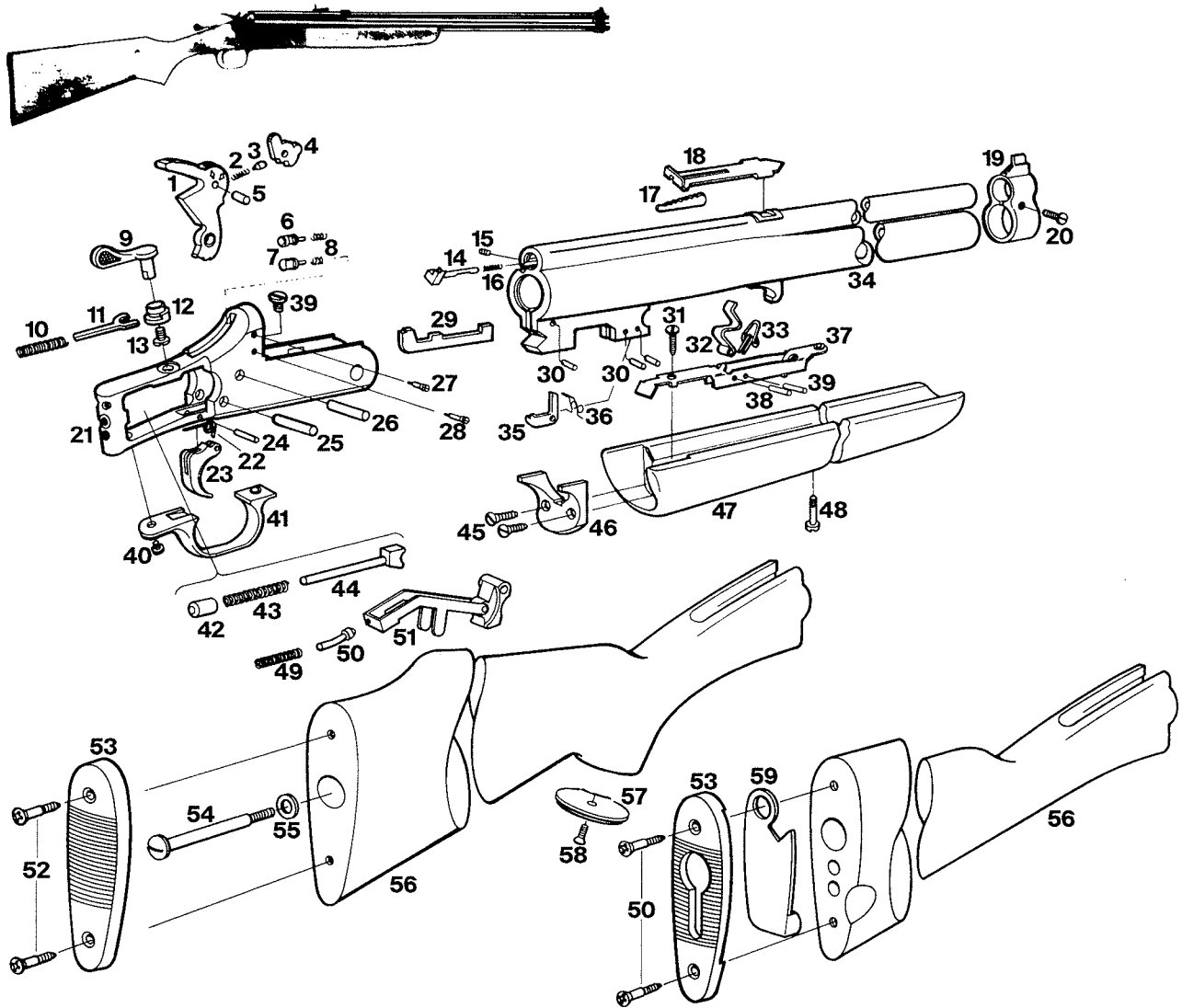
1	Trigger Spring	23	Safety Spring	45	Forend Iron Stop Screw
2	Sear Spring	24	Safety Adjusting Screw	46	Forend Iron Head Screws
3	Trigger	25	Trigger Bracket Pins	47	Forend Iron Head
4	Sear	26	Locking Bolt Pin	48	Forend
5	Hammer Spacer	27	Firing Pin Screw	49	Buttplate Screws
6	Hammer	28	Frame	50	Buttplate
7	Cocking Lever	29	Extractor Stop Pin	51	Stock
8	Safety-Lever	30	Ejector Hook	52	Forend Screw
9	Hammer Spring	31	Extractor Lever Pin	53	Stock Bolt
10	Trigger Bracket	32	Barrel	54	Stock Bolt Lock Washer
11	Hammer Pin and Safety-Lever Pin	33	Forend Spring Housing Screw	55	Stock Bolt Washer
12	Trigger Pin	34	Forend Spring Housing	Parts for 219L and 219LD Only	
13	Sear Pin	35	Forend Spring	56	Rear Sight Step
14	Front Sight	36	Forend Spring Spring	57	Rear Sight
15	Safety Slide Spring Pin	37	Forend Spring Pin	58	Front Sight Screw, Short
16	Safety Button	38	Forend Spring Spring Pin	59	Front Sight Screw, Long
17	Cocking Plunger Spring Screw	39	Safety Slide Spring	60	Front Sight
18	Cocking Plunger Spring	40	Safety Slide	61	Extractor
19	Cocking Plunger	41	Safety Slide Rivet	62	Firing Pin
20	Ejector Spring	42	Safety Slide Arm	63	Barrel
21	Ejector Starter Pin	43	Locking Bolt		
22	Safety Washer	44	Lever		

Model 23B, 23C and 23D-19H Bolt-Action Rifle



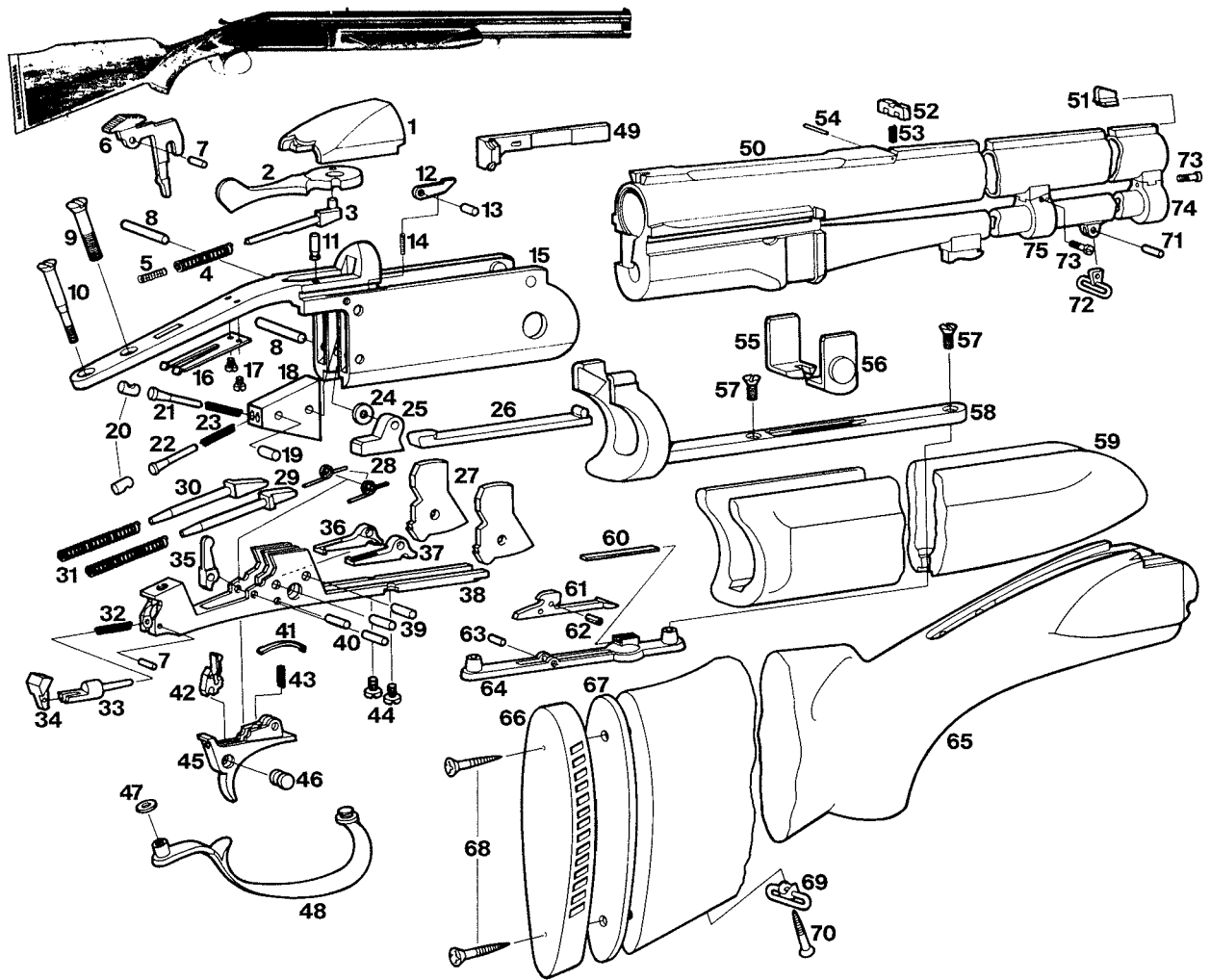
1	Barrel	22	Sear Pin
2	Buttplate	23	Front Sight
3	Barrel Stud	24	Rear Sight
4	Bolt Head	25	Rear Sight Step
5	Buttplate Screws	26	Takedown Screw, Rear
6	Trigger Guard Wood Screw	27	Trigger
7	Cocking Piece	28	Trigger Spring
8	Cocking Piece Pin	29	Trigger Pin
9	Ejector	30	Sight Dummy Screw, Small
10	Extractor, Left	31	Sight Dummy Screw, Large
11	Extractor, Right	32	Telescope Dummy Screws
12	Extractor Pins	33	Escutcheon
13	Extractor Springs	34	Takedown Screw, Front
14	Firing Pin	35	Bolt Pin
15	Trigger Guard	36	Bolt Sleeve
16	Magazine Retainer, Front	37	Bolt Sleeve Retaining Collar
17	Magazine Retainer, Rear	38	Trigger Spring Box
18	Mainspring	39	Magazine Assembly (Model 23D-19H)
19	Recoil Lug	40	Magazine Assembly (Old Style)
20	Safety	41	Stock
21	Sear		

Model 24, 24C and 24D Series M, P and S Combo



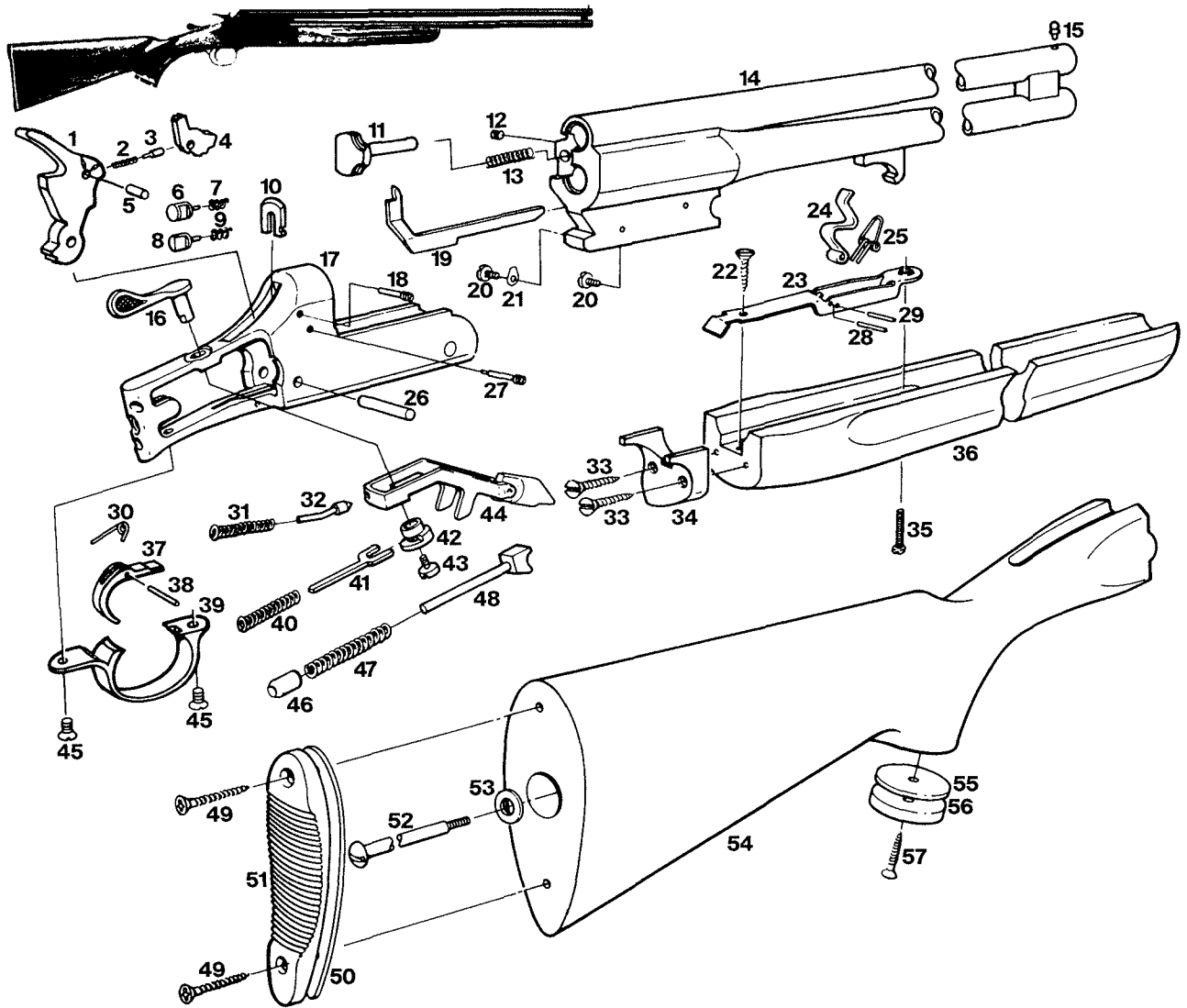
1	Hammer Assembly	21	Frame	40	Trigger Guard Screw
2	Selector Plunger Spring	22	Trigger Spring	41	Trigger Guard
3	Selector Plunger	23	Trigger	42	Mainspring Plunger Seat
4	Selector	24	Trigger Pin	43	Mainspring
5	Selector Pin	25	Hammer Pin	44	Mainspring Plunger Assembly
6	Firing Pin (Rifle)	26	Locking Bolt Pin	45	Forend Iron Head Screws
7	Firing Pin (Shotgun)	27	Firing Pin Screw (Shotgun)	46	Forend Pivot Plate
8	Firing Pin Springs	28	Firing Pin Screw (Rifle)	47	Forend Wood
9	Top Snap	29	Ejector	48	Forend Screw
10	Top Snap Spring	30	Extractor Lever Pin and Lever	49	Locking Bolt Spring
11	Top Snap Plunger		Spring Pin and Stop Pin	50	Locking Bolt Plunger
12	Top Snap Sleeve	31	Forend Spring Housing Screw	51	Locking Bolt Assembly
13	Top Snap/Trigger Guard Screw	32	Forend Spring	52	Buttplate Screws
14	Extractor	33	Forend Spring Spring	53	Buttplate
15	Extractor Screw	34	Barrels	54	Stock Bolt
16	Extractor Spring	35	Extractor Lever	55	Stock Bolt Washer
17	Rear Sight Step	36	Extractor Lever Spring	56	Stock
18	Rear Sight	37	Forend Spring Housing	57	Pistol Grip Cap
19	Barrel Band and Front Sight	38	Forend Spring Pin	58	Pistol Grip Cap Screw
20	Barrel Band Screw	39	Forend Spring Spring Pin	59	Trap Cover

Model 2400 Combo



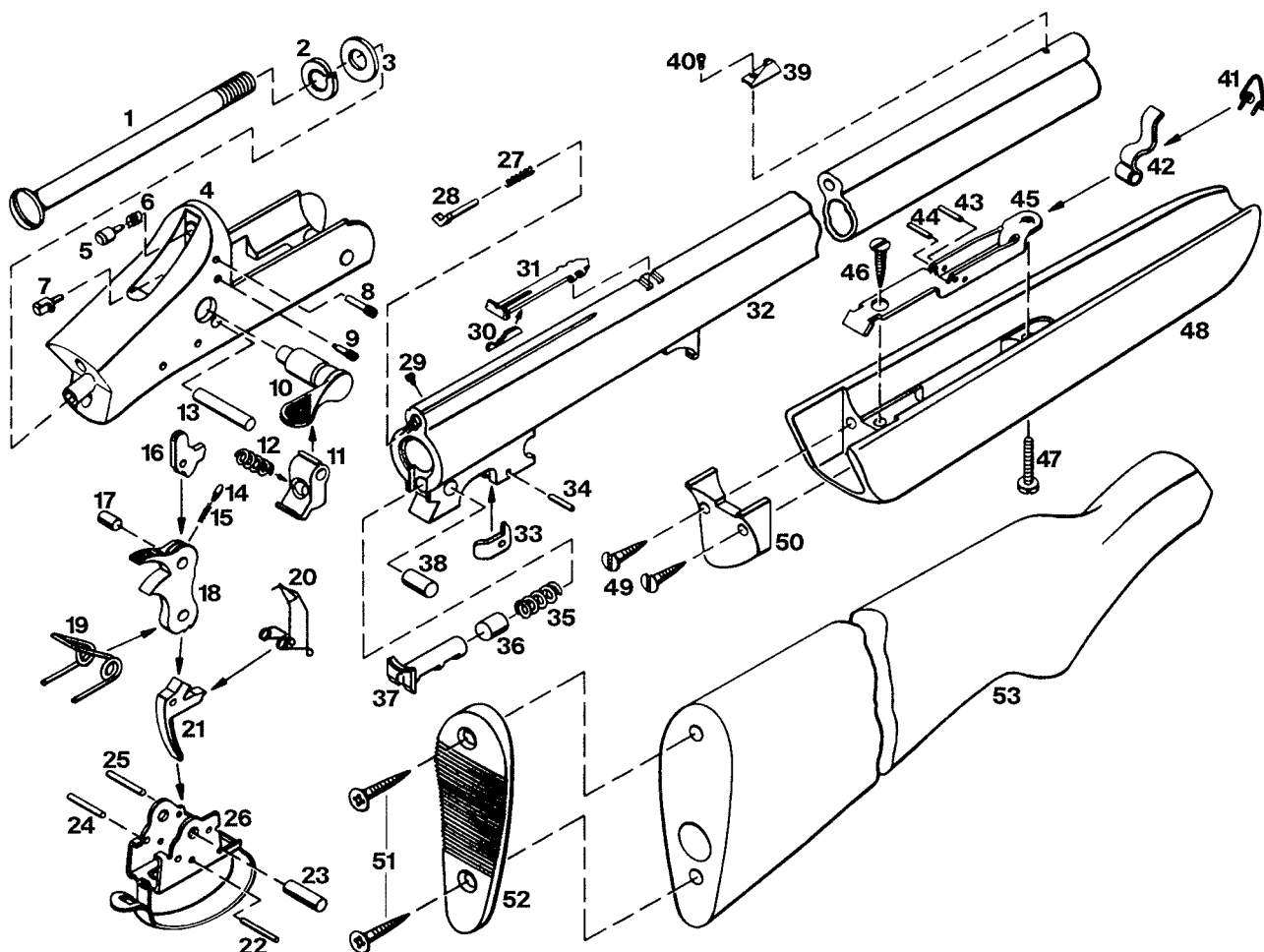
- | | | | | | |
|----|-------------------------------------|----|----------------------------------|----|----------------------------|
| 1 | Locking Bolt | 26 | Cocking Slide | 51 | Front Sight |
| 2 | Top Snap | 27 | Hammers | 52 | Front Sight Plate |
| 3 | Top Snap Plunger | 28 | Sear Springs | 53 | Rear Sight Spring |
| 4 | Top Snap Spring | 29 | Mainspring Plunger, Right | 54 | Rear Sight Pin |
| 5 | Safety Plunger Spring | 30 | Mainspring Plunger, Left | 55 | Barrel Pivot Pin, Left |
| 6 | Safety Button | 31 | Mainsprings | 56 | Barrel Pivot Pin, Right |
| 7 | Safety Detent and Inertia Block Pin | 32 | Inertia Block Spring | 57 | Forend Snap Housing Screws |
| 8 | Firing Pin Block and Cocking Pins | 33 | Inertia Block Plunger | 58 | Forend Iron |
| 9 | Top Tang Screw, Front | 34 | Inertia Block | 59 | Forend Wood |
| 10 | Top Tang Screw, Rear | 35 | Safety-Lever | 60 | Forend Snap Spring |
| 11 | Top Snap Pin | 36 | Sear, Left | 61 | Forend Snap |
| 12 | Top Slide Trip | 37 | Sear, Right | 62 | Forend Snap Stop Pin |
| 13 | Top Slide Trip Pin | 38 | Trigger Plate | 63 | Forend Snap Pin |
| 14 | Top Slide Trip Spring | 39 | Sear Pin and Hammer Pin | 64 | Forend Snap Housing |
| 15 | Frame | 40 | Trigger Pin and Safety-Lever Pin | 65 | Stock Complete |
| 16 | Safety Slide | 41 | Selector Spring | 66 | Recoil Pad |
| 17 | Safety Slide Screws | 42 | Selector Lever | 67 | Buttplate Liner |
| 18 | Firing Pin Block | 43 | Trigger Spring | 68 | Recoil Pad Screws |
| 19 | Striker Pin | 44 | Trigger Plate Screws | 69 | Swivel Bow Assembly |
| 20 | Strikers | 45 | Trigger | 70 | Swivel Screw |
| 21 | Firing Pin, Shotgun | 46 | Selector Button | 71 | Swivel Pin, Front |
| 22 | Firing Pin, Rifle | 47 | Trigger Guard Washer | 72 | Swivel Bow, Front |
| 23 | Firing Pin Springs | 48 | Trigger Guard | 73 | Barrel Locking Screw |
| 24 | Cocking Lever Spring | 49 | Extractor | 74 | Barrel Locking Ring, Front |
| 25 | Cocking Crank | 50 | Barrel Assembly | 75 | Barrel Locking Ring, Rear |

Model 242 Series C and D Over/Under Shotgun



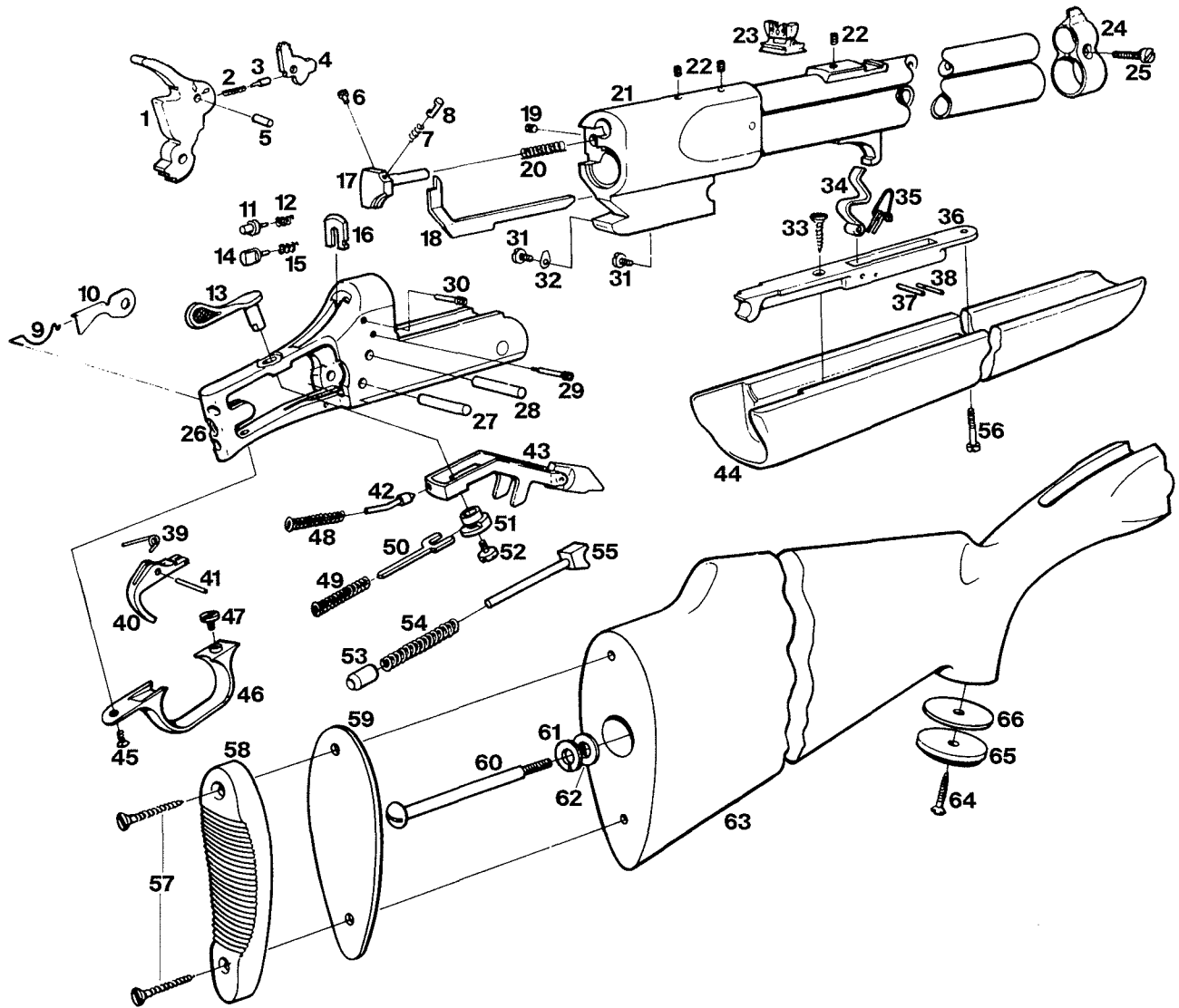
1	Hammer	21	Extractor Lever Guide	41	Top Snap Plunger
2	Selector Plunger Spring	22	Forend Spring Housing Screw	42	Top Snap Sleeve
3	Selector Plunger	23	Forend Spring Housing	43	Top Snap Screw
4	Selector	24	Forend Spring	44	Locking Bolt Assembly
5	Selector Pin	25	Forend Spring Spring	45	Trigger Guard Screw and Lifter
6	Firing Pin, Upper	26	Locking Bolt/Hammer Pin		Housing Screws
7	Firing Pin Spring, Upper	27	Firing Pin Screw	46	Mainspring Plunger Seat
8	Firing Pin, Lower	28	Forend Spring Pin	47	Mainspring
9	Firing Pin Spring, Lower	29	Forend Spring Spring Pin	48	Mainspring Plunger Head Assembly
10	Firing Pin Return Plate	30	Trigger Spring	49	Buttplate Screws
11	Extractor	31	Locking Bolt and Yoke Spring	50	Buttplate Liner
12	Extractor Screw	32	Locking Bolt Plunger	51	Buttplate
13	Extractor Spring	33	Forend Iron Head Screws	52	Stock Bolt
14	Barrel Assembly	34	Forend Pivot Plate	53	Stock Bolt Washer
15	Front Sight	35	Forend Screw	54	Stock Assembly
16	Top Snap	36	Forend Wood	55	Pistol Grip Cap Liner
17	Frame	37	Trigger	56	Pistol Grip Cap
18	Firing Pin Return Screw	38	Trigger Pin	57	Pistol Grip Cap Screw
19	Extractor Lever	39	Trigger Guard		
20	Extractor Lever Screws	40	Top Snap/Locking Bolt Spring		

Model 24S, 24SD, 24SE, 24MS, 24MSD and 24MSE Over/Under Combo



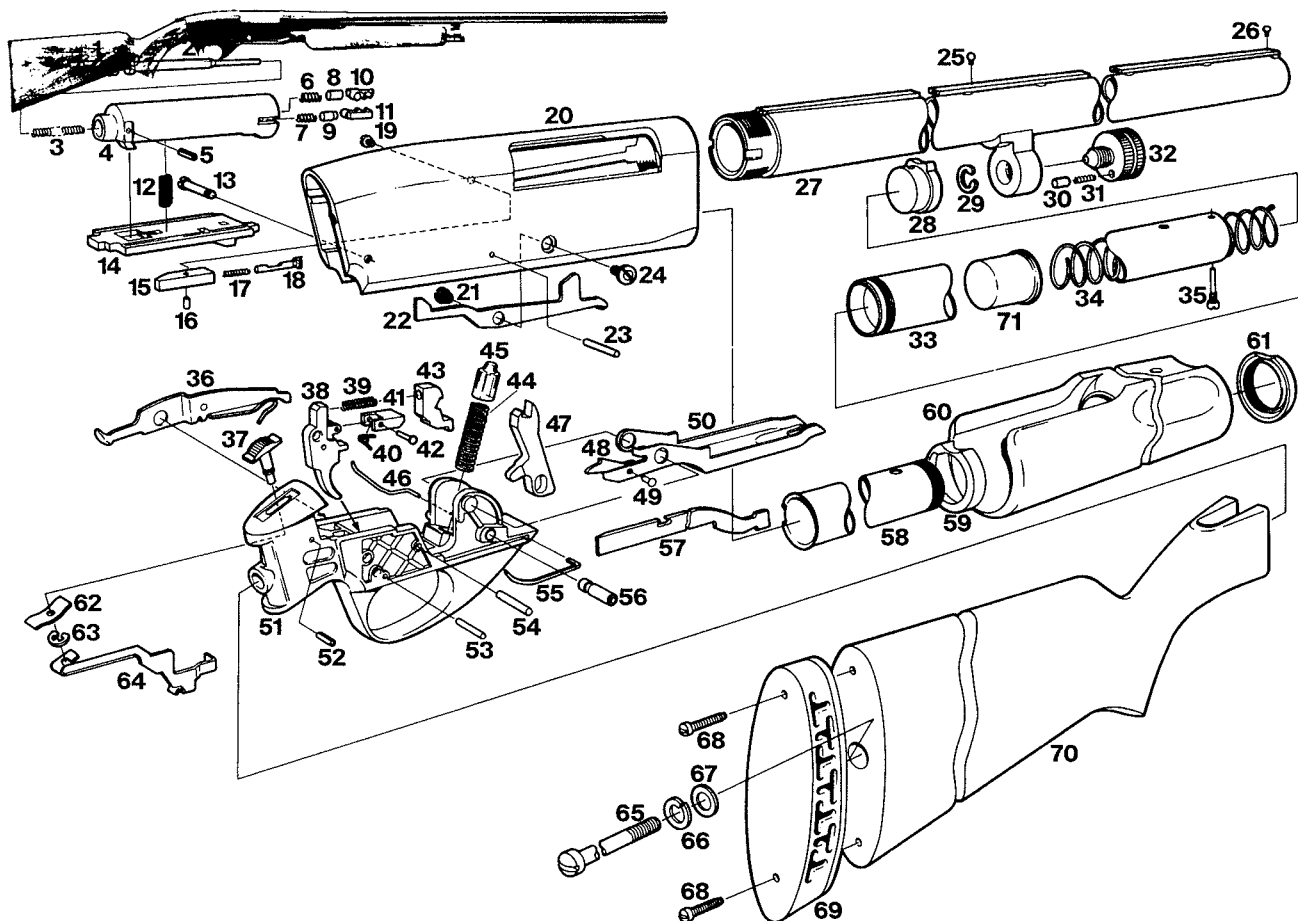
1	Stock Bolt	19	Hammer Spring	37	Extractor
2	Stock Bolt Lock Washer	20	Trigger Spring	38	Extractor Stop Pin
3	Stock Bolt Washer	21	Trigger	39	Front Sight
4	Frame	22	Trigger Bracket Pin	40	Front Sight Screw
5	Firing Pin (Rifle)	23	Hammer Pin	41	Forend Spring Spring
6	Firing Pin Spring (Rifle)	24	Trigger Bracket Pin	42	Forend Spring
7	Firing Pin (Shotgun)	25	Trigger Pin	43	Forend Spring Spring Pin
8	Firing Pin Screw (Rifle)	26	Trigger Guard	44	Forend Spring Pin
9	Firing Pin Screw (Shotgun)	27	Extractor Spring	45	Forend Spring Housing
10	Lever	28	Extractor	46	Forend Spring Housing Screw
11	Locking Bolt	29	Extractor Screw	47	Forend Screw
12	Locking Bolt Spring	30	Rear Sight Step	48	Forend
13	Locking Bolt Pin	31	Rear Sight	49	Forend Iron Head Screws
14	Selector Plunger	32	Barrel	50	Forend Iron Head
15	Selector Plunger Spring	33	Extractor Lever	51	Buttplate Screws
16	Selector	34	Extractor Lever Pin	52	Buttplate
17	Selector Pin	35	Extractor Lever Spring	53	Stock
18	Hammer	36	Extractor Stem		

Model 24V and 24V-A Combo



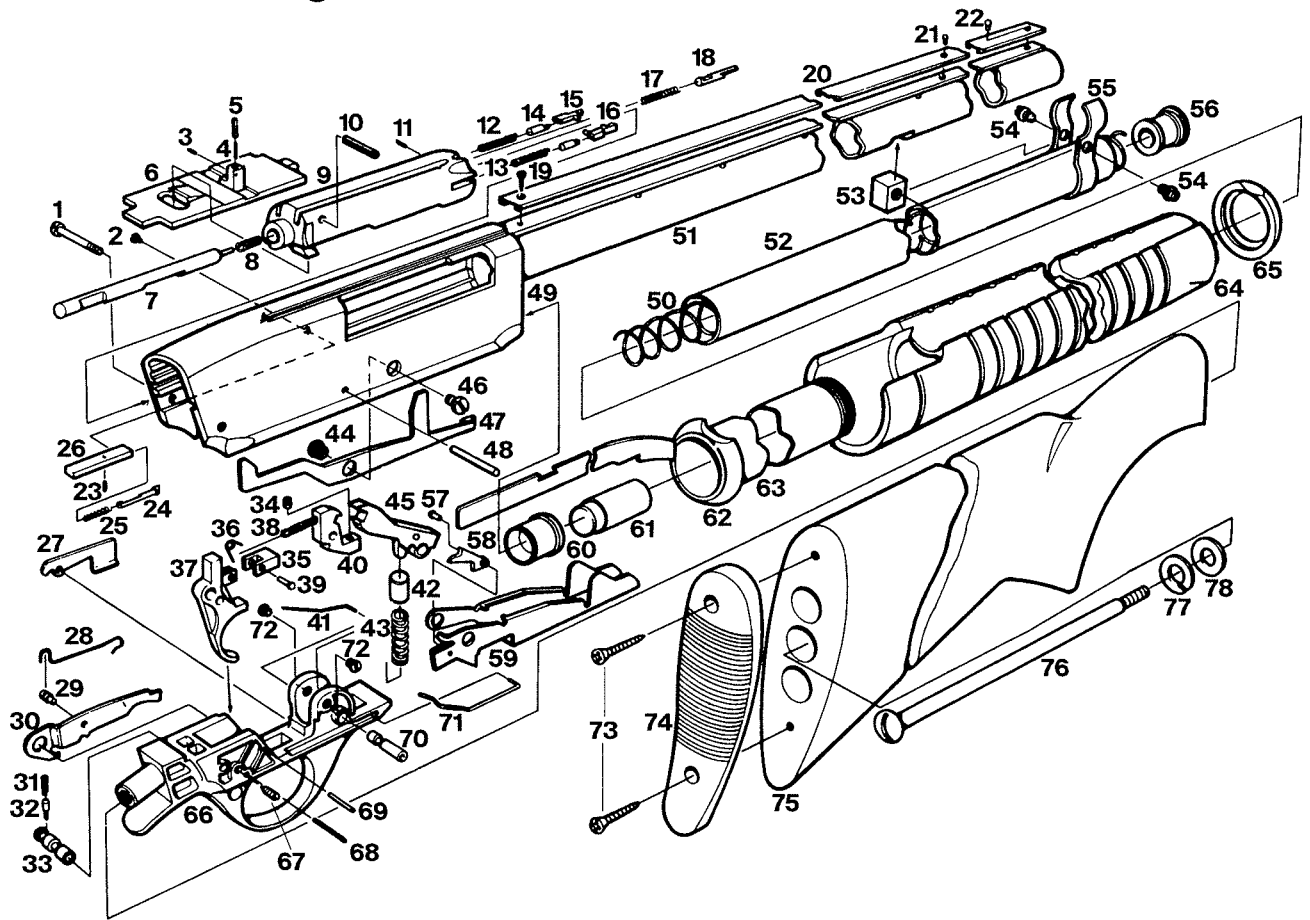
1	Hammer Assembly	24	Barrel Band and Front Sight	45	Trigger Guard Screw
2	Selector Plunger Spring	25	Barrel Band Screw	46	Trigger Guard
3	Selector Plunger	26	Frame	47	Trigger Guard Screw, Front
4	Selector	27	Hammer Pin	48	Locking Bolt Plunger Spring
5	Selector Pin	28	Locking Bolt Pin	49	Top Snap Plunger Spring
6	Extractor Plunger Screw	29	Firing Pin Retaining Screw	50	Top Snap Plunger
7	Extractor Plunger Spring	30	Firing Pin Retaining Plate Screw	51	Top Snap Sleeve
8	Extractor Plunger	31	Extractor Lever Retaining Screws	52	Top Snap Screw
9	Yoke Stop Spring	32	Extractor Lever Guide	53	Mainspring Plunger Seat
10	Yoke Stop	33	Forend Iron Screw	54	Mainspring
11	Firing Pin (Rifle)	34	Forend Spring	55	Mainspring Plunger
12	Firing Pin Spring (Rifle)	35	Forend Spring Spring	56	Forend Screw
13	Top Snap	36	Forend Iron	57	Buttplate Screws
14	Firing Pin (Shotgun)	37	Forend Spring Pin	58	Buttplate
15	Firing Pin Spring (Shotgun)	38	Forend Spring Spring Pin	59	Buttplate Liner
16	Firing Pin Retaining Plate	39	Trigger Spring	60	Stock Bolt
17	Extractor Plate	40	Trigger	61	Stock Bolt Lock Washer
18	Extractor Lever	41	Trigger Pin	62	Stock Bolt Washer
19	Extractor Screw	42	Locking Bolt Plunger	63	Stock
20	Extractor Spring	43	Locking Bolt Assembly	64	Pistol Grip Cap Screw
21	Barrel	44	Forend	65	Pistol Grip Cap
22	Dummy Screws			66	Pistol Grip Cap Liner
23	Rear Sight				

Model 30 Series D, E and F Slide-Action Shotgun



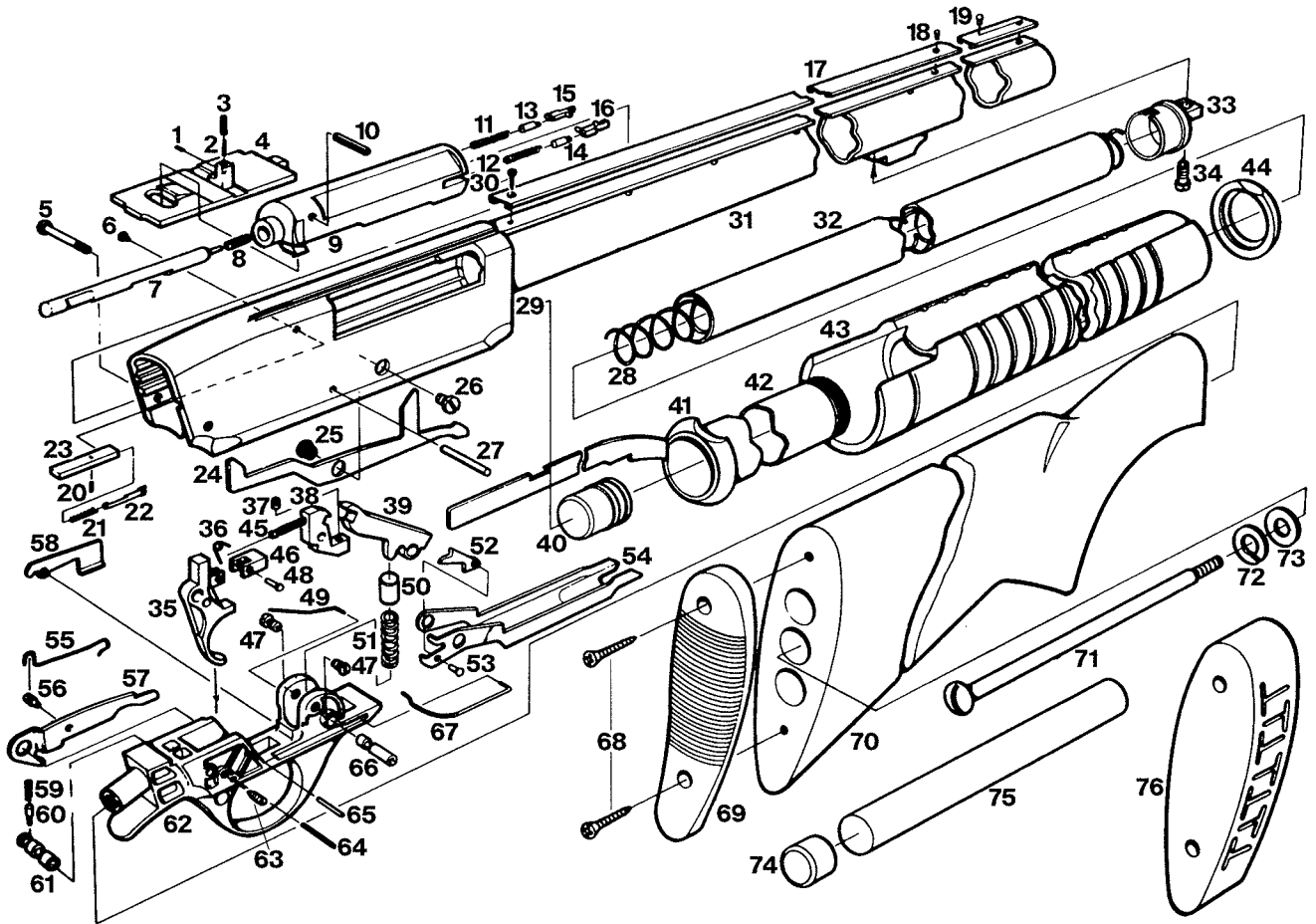
1	Firing Pin Extension	25	Rear Sight	49	Lifter Pawl Pin
2	Firing Pin	26	Front Sight	50	Lifter
3	Firing Pin Spring	27	Barrel	51	Trigger Guard
4	Breechbolt	28	Magazine Plug	52	Safety-Lever Retaining Pin
5	Firing Pin Stop Pin	29	Takedown Screw Retaining Ring	53	Trigger Pin
6	Extractor Spring, Left	30	Takedown Screw Plunger	54	Sear Pin
7	Extractor Spring, Right	31	Takedown Screw Plunger Spring	55	Lifter Spring
8	Extractor Plunger, Left	32	Takedown Screw	56	Hammer Bushing
9	Extractor Plunger, Right	33	Magazine Tube	57	Operating Handle Bar
10	Extractor, Left	34	Magazine Spring	58	Operating Handle Tube
11	Extractor, Right	35	Magazine Plug Screw	59	Operating Handle Collar, Rear
12	Bolt Support Spring	36	Slide Lock Assembly	60	Operating Handle Wood
13	Trigger Guard Screw	37	Safety	61	Operating Handle Collar, Front
14	Slide Assembly	38	Trigger Assembly	62	Safety Spring
15	Ejector Assembly	39	Trigger Spring	63	Safety Retaining Ring
16	Ejector Pin	40	Sear Trip Spring	64	Safety-Lever
17	Ejector Spring	41	Sear Trip	65	Stock Bolt
18	Ejector Plunger	42	Sear Trip Pin	66	Stock Bolt Lock Washer
19	Ejector Screw	43	Sear	67	Stock Bolt Washer
20	Receiver	44	Mainspring	68	Recoil Pad Screws
21	Cartridge Stop Pivot Nut	45	Mainspring Plunger	69	Recoil Pad
22	Cartridge Stop	46	Slide Lock Release Spring	70	Stock
23	Trigger Guard Pin	47	Hammer	71	Magazine Follower
24	Cartridge Stop Pivot Screw	48	Lifter Pawl		

**Model 30, Stevens Model 77 and Springfield Model 67
Slide-Action Shotgun**



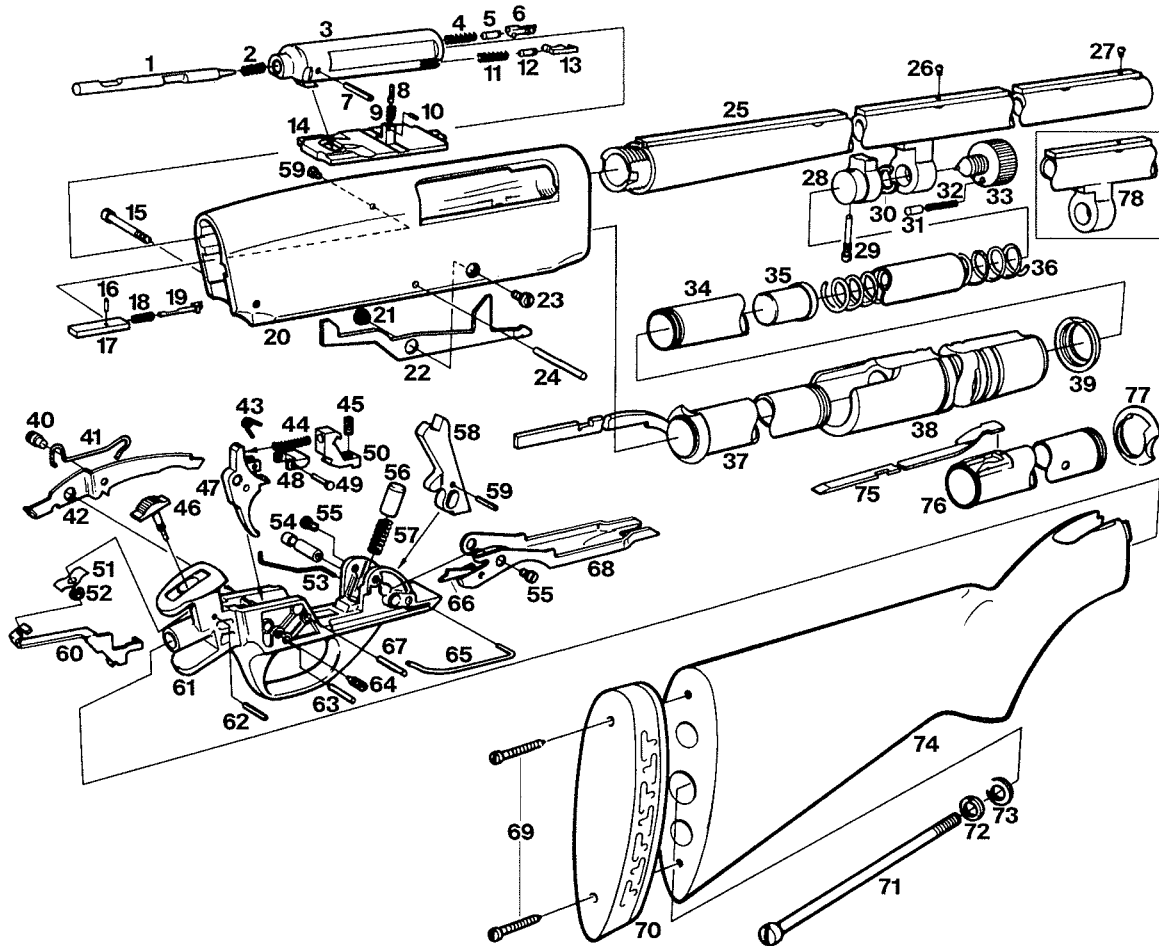
1	Trigger Guard Screw	27	Slide Lock Release	54	Magazine Tube Yoke Screws
2	Ejector Screw	28	Slide Lock Spring	55	Magazine Tube Yoke
3	Firing Pin Retractor Plunger Pin	29	Slide Lock Spring Stud	56	Magazine Plug
4	Firing Pin Retractor Plunger Spring	30	Slide Lock and Spring Assembly	57	Lifter Pawl Pin
5	Firing Pin Retractor Plunger	31	Safety Spring	58	Lifter Pawl
6	Slide Assembly	32	Safety Spring Plunger	59	Lifter Assembly
7	Firing Pin	33	Safety	60	Magazine Tube Adapter
8	Firing Pin Spring	34	Sear Adjusting Screw	61	Magazine Follower
9	Breechbolt	35	Sear Trip	62	Operating Handle Bar Collar, Rear
10	Firing Pin Stop Pin	36	Sear Trip Spring	63	Operating Handle Bar Assembly
11	Shell Stop Retaining Pin	37	Trigger	64	Operating Handle Wood
12	Extractor Spring, Left	38	Trigger Spring	65	Operating Handle Bar Collar, Front
13	Extractor Spring, Right	39	Sear Trip Pin	66	Trigger Guard
14	Extractor Plungers	40	Sear	67	Trigger Adjusting Screw
15	Extractor, Left	41	Slide Lock Release Spring	68	Trigger Pin
16	Extractor, Right	42	Mainspring Plunger	69	Sear Pin
17	Shell Stop Spring	43	Mainspring	70	Hammer Bushing
18	Shell Stop	44	Cartridge Stop Pivot Screw Nut	71	Lifter Spring
19	Top Rib Support Screw	45	Hammer	72	Lifter Screws
20	Top Rib Sleeve	46	Cartridge Stop Pivot Screw	73	Buttplate Screws
21	Rear Sight	47	Cartridge Stop	74	Buttplate
22	Front Sight	48	Trigger Guard Pin	75	Stock
23	Ejector Pin	49	Receiver	76	Stock Bolt
24	Ejector Plunger	50	Magazine Spring	77	Stock Bolt Lock Washer
25	Ejector Spring	51	Barrel	78	Stock Bolt Washer
26	Ejector Assembly	52	Magazine Tube		
		53	Filling Block		

Model 30D, 30E, 30H and 30T Slide-Action Shotgun



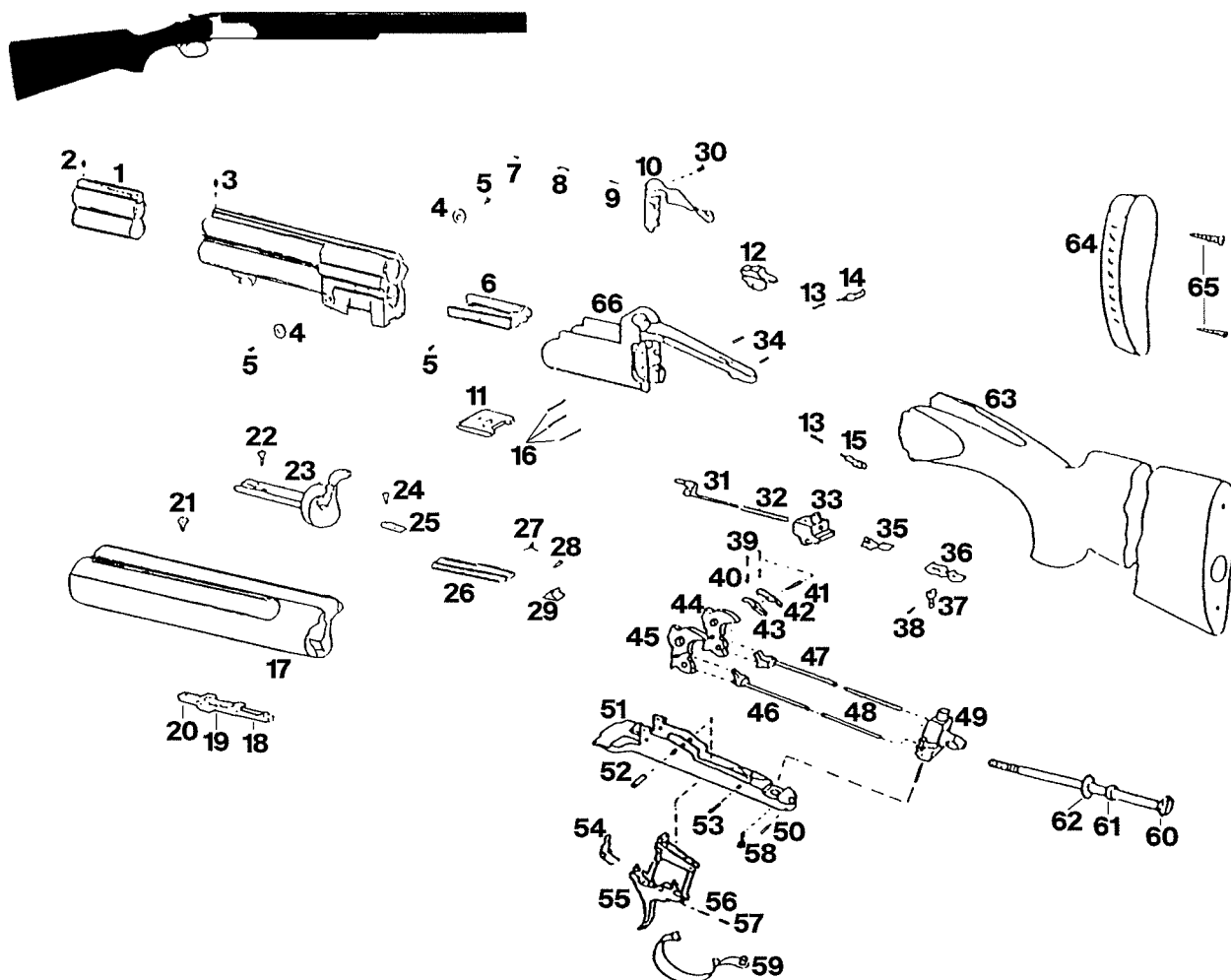
1	Firing Pin Retractor Plunger Pin	25	Cartridge Stop Pivot Nut	51	Mainspring
2	Firing Pin Retractor Plunger Spring	26	Cartridge Stop Pivot Screw	52	Lifter Pawl
3	Firing Pin Retractor Plunger	27	Trigger Guard Pin	53	Lifter Pawl Pin
4	Slide Assembly	28	Magazine Spring	54	Lifter Assembly
5	Trigger Guard Screw	29	Receiver	55	Slide Lock Spring
6	Ejector Screw	30	Rib Screw	56	Slide Lock Spring Stud
7	Firing Pin	31	Barrel	57	Slide Lock Assembly
8	Firing Pin Spring	32	Magazine Tube	58	Slide Lock Release
9	Breechbolt	33	Magazine Plug	59	Safety Spring
10	Firing Pin Stop Pin	34	Magazine Plug Screw	60	Safety Spring Plunger
11	Extractor Spring, Left	35	Trigger	61	Safety
12	Extractor Spring, Right	36	Sear Trip Spring	62	Trigger Guard
13	Extractor Plunger, Left	37	Sear Adjustment Screw	63	Trigger Adjusting Screw
14	Extractor Plunger, Right	38	Sear	64	Trigger Pin
15	Extractor, Left	39	Hammer	65	Sear Pin
16	Extractor, Right	40	Magazine Follower	66	Hammer Bushing
17	Top Rib Sleeve	41	Operating Handle Collar, Rear	67	Lifter Spring
18	Middle Sight	42	Operating Handle Bar Assembly	68	Buttplate Screws
19	Front Sight	43	Operating Handle	69	Buttplate
20	Ejector Pin	44	Operating Handle Collar, Front	70	Stock
21	Ejector Spring	45	Trigger Spring	71	Stock Bolt
22	Ejector Plunger	46	Sear Trip	72	Stock Bolt Lock Washer
23	Ejector Assembly	47	Lifter Screws	73	Stock Bolt Washer
24	Cartridge Stop	48	Sear Trip Pin	74	Recoil Weight Buffer (30T only)
		49	Slide Lock Release Spring	75	Recoil Weight (30T only)
		50	Mainspring Plunger	76	Recoil Pad (30T only)

Model 30J, 30K and 30T Series A, B and C Slide-Action Shotgun



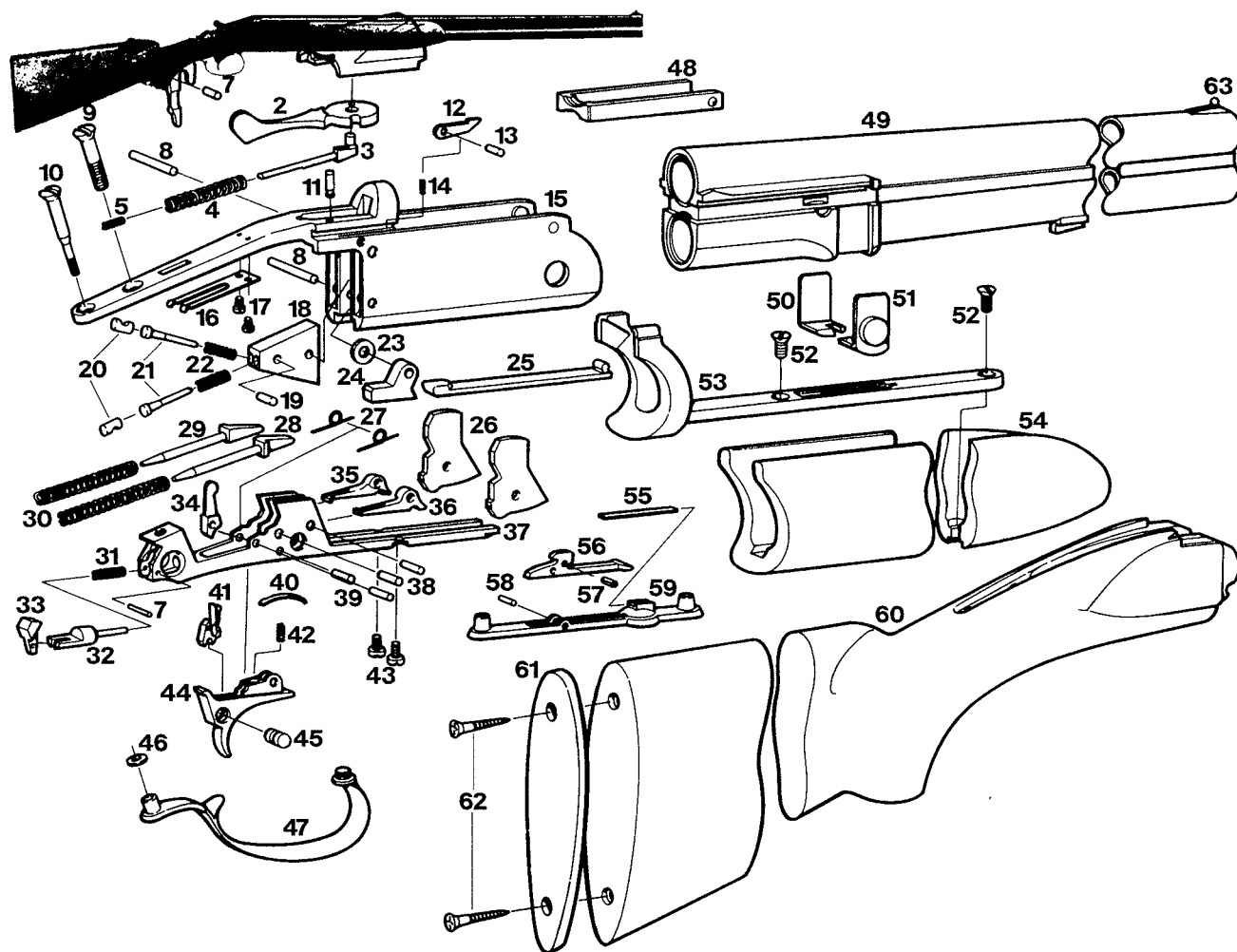
1	Firing Pin	28	Magazine Plug	55	Lifter Screw
2	Firing Pin Spring	29	Magazine End Plug Screw	56	Mainspring Plunger
3	Breechbolt	30	Takedown Screw Retaining Ring	57	Mainspring
4	Extractor Spring, Left	31	Takedown Screw Plunger	58	Hammer
5	Extractor Plunger, Left	32	Takedown Screw Plunger Spring	59	Ejector Screw
6	Extractor, Left	33	Takedown Screw	60	Safety-Lever
7	Firing Pin Stop Pin	34	Magazine Tube	61	Trigger Guard
8	Firing Pin Retractor Plunger	35	Magazine Follower	62	Safety-Lever Retaining Pin
9	Firing Pin Retractor Spring	36	Magazine Spring	63	Trigger Pin
10	Firing Pin Retractor Plunger Pin	37	Operating Handle Bar Assembly	64	Safety Adjustment Screw
11	Extractor Spring, Right	38	Operating Handle Wood	65	Lifter Spring
12	Extractor Plunger, Right	39	Operating Handle Collar, Front	66	Lifter Pawl
13	Extractor, Right	40	Slide Lock Spring Stud	67	Sear Pin
14	Slide Assembly	41	Slide Lock Spring	68	Lifter Assembly
15	Trigger Guard Screw	42	Slide Lock Assembly	69	Recoil Pad Screws
16	Ejector Pin	43	Sear Trip Spring	70	Recoil Pad
17	Ejector Assembly	44	Trigger Spring	71	Stock Bolt
18	Ejector Spring	45	Sear Engagement Screw	72	Stock Bolt Lock Washer
19	Ejector Plunger	46	Safety	73	Stock Bolt Washer
20	Receiver	47	Trigger	74	Stock
21	Cartridge Stop Pivot Nut	48	Sear Trip	75	Operating Handle Bar (Series C only)
22	Cartridge Stop	49	Sear Trip Pin	76	Operating Handle Tube Assembly (Series C only)
23	Cartridge Stop Pivot Screw	50	Sear	77	Operating Handle Collar, Rear (Series C only)
24	Trigger Guard Pin	51	Safety Spring	78	Barrel with Ventilating Rib (Series B, C only)
25	Barrel with Ventilating Rib	52	Safety Retainer Ring		
26	Middle Sight	53	Slide Lock Release Spring		
27	Front Sight	54	Hammer Bushing		

Model 312 Over/Under Shotgun



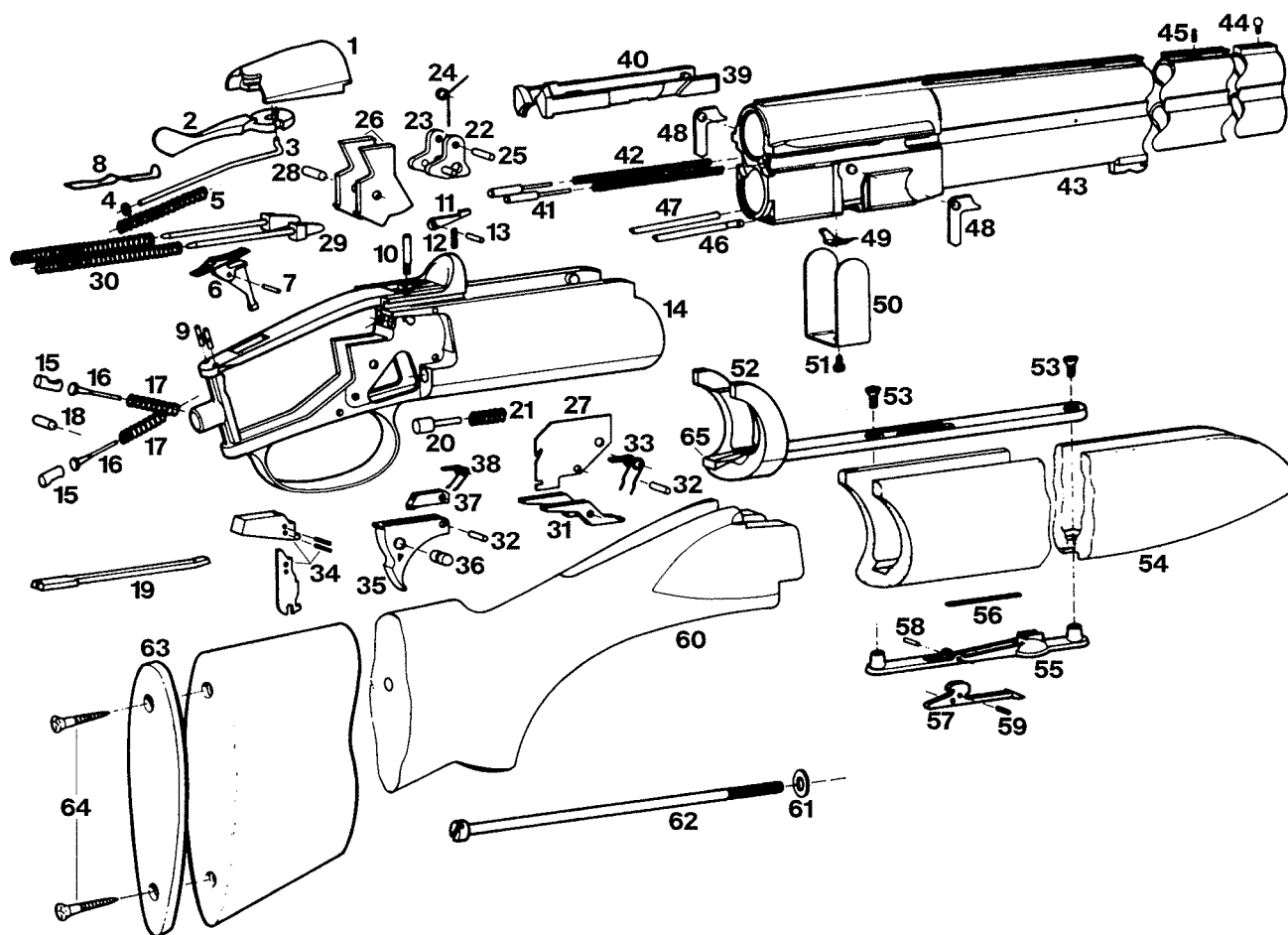
1	Barrel	24	Cocking Piece Screw	47	Mainspring Plunger, Left
2	Front Sight	25	Cocking Piece	48	Mainspring
3	Rear Sight	26	Cocking Plunger	49	Action Spring Plug
4	Barrel Trunnions	27	Cocking Lever Spring	50	Action Spring Plunger Pin
5	Barrel Trunnion Screws	28	Cocking Lever Pin	51	Trigger Housing
6	Extractor	29	Cocking Lever	52	Hammer Pin
7	Top Snap Trip	30	Top Snap Retaining Screw	53	Trigger Pin
8	Lever Lock	31	Top Snap Plunger	54	Sear Trip Spring
9	Top Snap Trip Spring	32	Top Snap Plunger Spring	55	Trigger/Sear Trip Assembly
10	Top Snap	33	Top Snap Plunger Guide	56	Trigger Spring
11	Locking Bolt	34	Top Snap Plunger Guide Pins	57	Trigger Spring Plunger
12	Safety	35	Safety Plunger	58	Trigger Guard Housing Screw, Rear
13	Firing Pin Springs	36	Safety Detent Spring	59	Trigger Guard
14	Firing Pin, Lower	37	Safety-Lever	60	Stock Bolt
15	Firing Pin, Upper	38	Safety-Lever Pin	61	Stock Bolt Lock Washer
16	Firing Pin Retaining Pins	39	Sear Springs	62	Stock Bolt Washer
17	Forend	40	Sear Plungers	63	Stock Assembly
18	Forend Latch	41	Sear Pin	64	Recoil Pad
19	Forend Latch Spring	42	Sear, Right	65	Recoil Pad Screws
20	Forend Insert	43	Sear, Left	66	Receiver
21	Forend Screw	44	Hammer, Right		
22	Forend Iron Screw	45	Hammer, Left		
23	Forend Iron	46	Mainspring Plunger, Right		

Model 330 Over/Under Shotgun



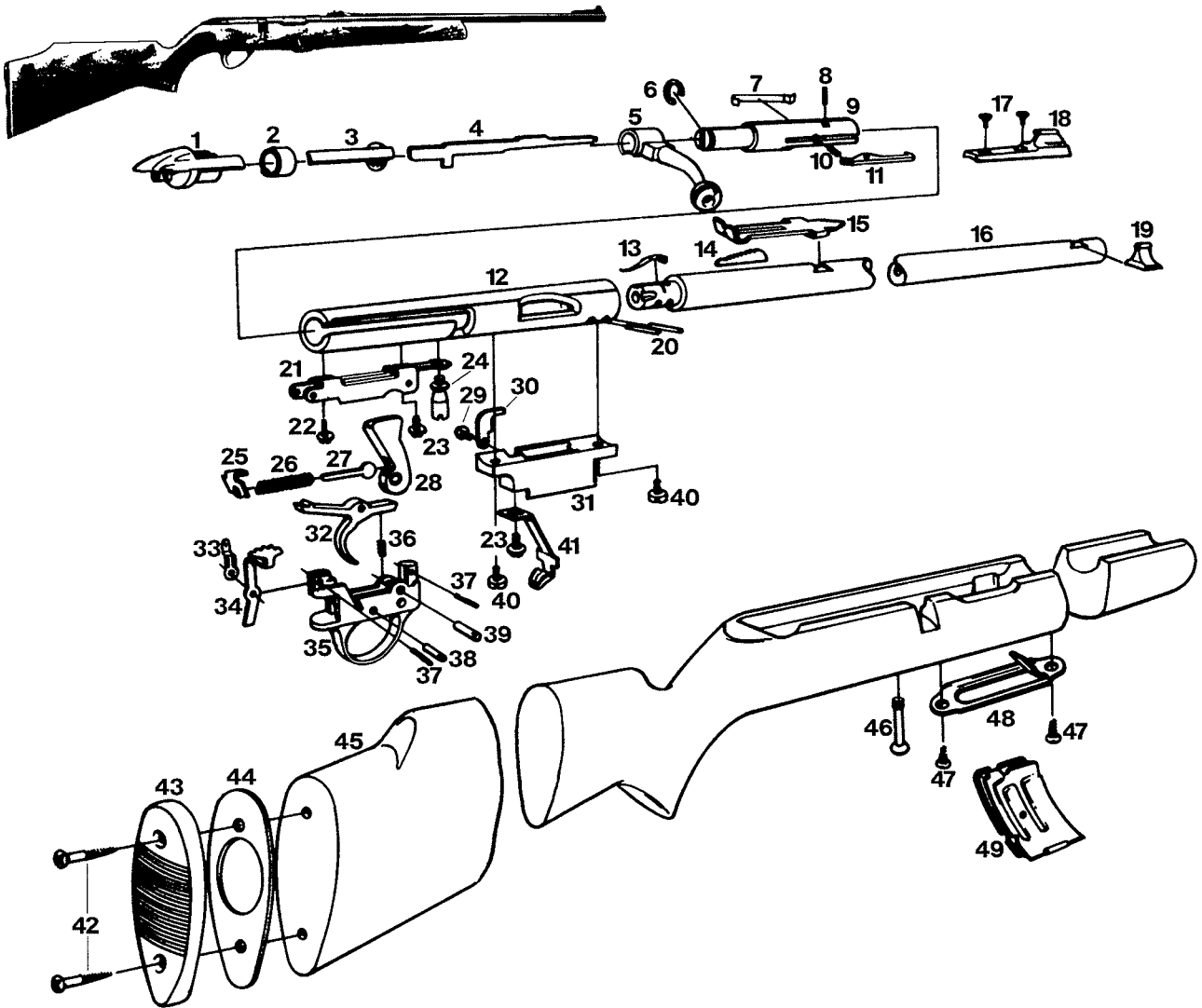
1	Locking Bolt	20	Strikers	42	Trigger Spring
2	Top Snap	21	Firing Pins	43	Trigger Plate Screws
3	Top Snap Plunger	22	Firing Pin Springs	44	Trigger
4	Top Snap Spring	23	Cocking Lever Springs	45	Selector Button
5	Safety Plunger Spring	24	Cocking Crank	46	Trigger Guard Washer
6	Safety Button	25	Cocking Slide	47	Trigger Guard
7	Safety Detent and Inertia Block Pins	26	Hammers	48	Extractor
8	Firing Pin Block and Cocking Crank Pins	27	Sear Springs	49	Barrel
9	Top Tang Screw, Front	28	Mainspring Plunger, Right	50	Barrel Pivot Pin, Left
10	Top Tang Screw, Rear	29	Mainspring Plunger, Left	51	Barrel Pivot Pin, Right
11	Top Snap Pin	30	Mainsprings	52	Forend Snap Housing Screws
12	Top Slide Trip	31	Inertia Block Spring	53	Forend Iron
13	Top Slide Trip Pin	32	Inertia Block Plunger	54	Forend Wood
14	Top Slide Trip Spring	33	Inertia Block	55	Forend Snap Spring
15	Frame	34	Safety-Lever	56	Forend Snap
16	Safety Spring	35	Sear, Left	57	Forend Snap Stop Pin
17	Safety Spring Screws	36	Sear, Right	58	Forend Snap Pin
18	Firing Pin Block	37	Trigger Plate	59	Forend Snap Housing
19	Striker Pin	38	Sear Pin and Hammer Pin	60	Stock Complete
		39	Trigger Pin and Safety-Lever Pin	61	Buttplate
		40	Selector Spring	62	Buttplate Screws
		41	Selector Lever	63	Front Sight Bead

Model 333 Over/Under Shotgun



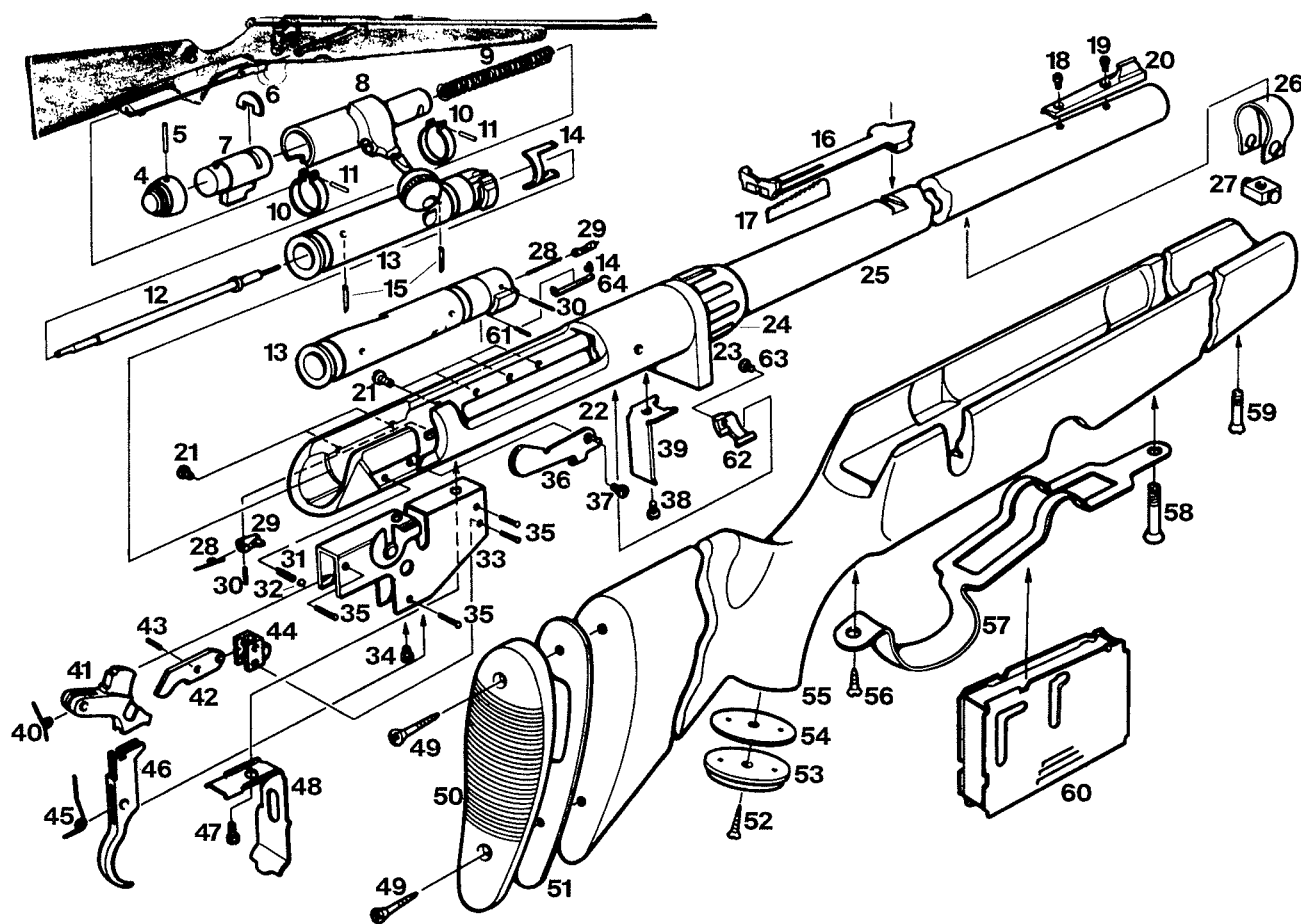
1	Locking Bolt	23	Cocking Crank, Left	45	Rear Sight Bead
2	Top Snap	24	Cocking Slide Spring	46	Ejector Operating Rod, Right
3	Top Snap Plunger	25	Cocking Crank Pin	47	Ejector Operating Rod, Left
4	Top Snap Plunger Washer	26	Hammers	48	Ejector Trip
5	Top Snap Spring	27	Support Plate	49	Ejector Trip Spring
6	Safety Button	28	Hammer Pin	50	Covering Plate
7	Safety Pin	29	Mainspring Plungers	51	Covering Plate Screw
8	Safety Spring	30	Mainsprings	52	Forend Iron
9	Indicators	31	Sears	53	Forend Screws
10	Top Snap Pin	32	Trigger Pin	54	Forend Wood
11	Top Slide Trip	33	Sear Springs	55	Forend Snap Housing
12	Top Slide Trip Spring	34	Inertia Block Assembly	56	Forend Snap Spring
13	Top Slide Trip Pin	35	Trigger	57	Forend Snap
14	Frame	36	Selector Button	58	Forend Snap Pin
15	Strikers	37	Selector Cam	59	Forend Snap Stop Pin
16	Firing Pins	38	Selector Cam Spring	60	Stock
17	Firing Pin Springs	39	Extractor, Right	61	Stock Bolt Washer
18	Striker Pin	40	Extractor, Left	62	Stock Bolt
19	Cocking Slide	41	Ejector Spring Plungers	63	Buttplate
20	Ejector Operating Pin	42	Ejector Springs	64	Buttplate Screws
21	Ejector Operating Pin Spring	43	Barrel	65	Cocking Lug
22	Cocking Crank, Right	44	Front Sight Bead		

Model 34, 34M, 65 and 65M Bolt-Action Rifle



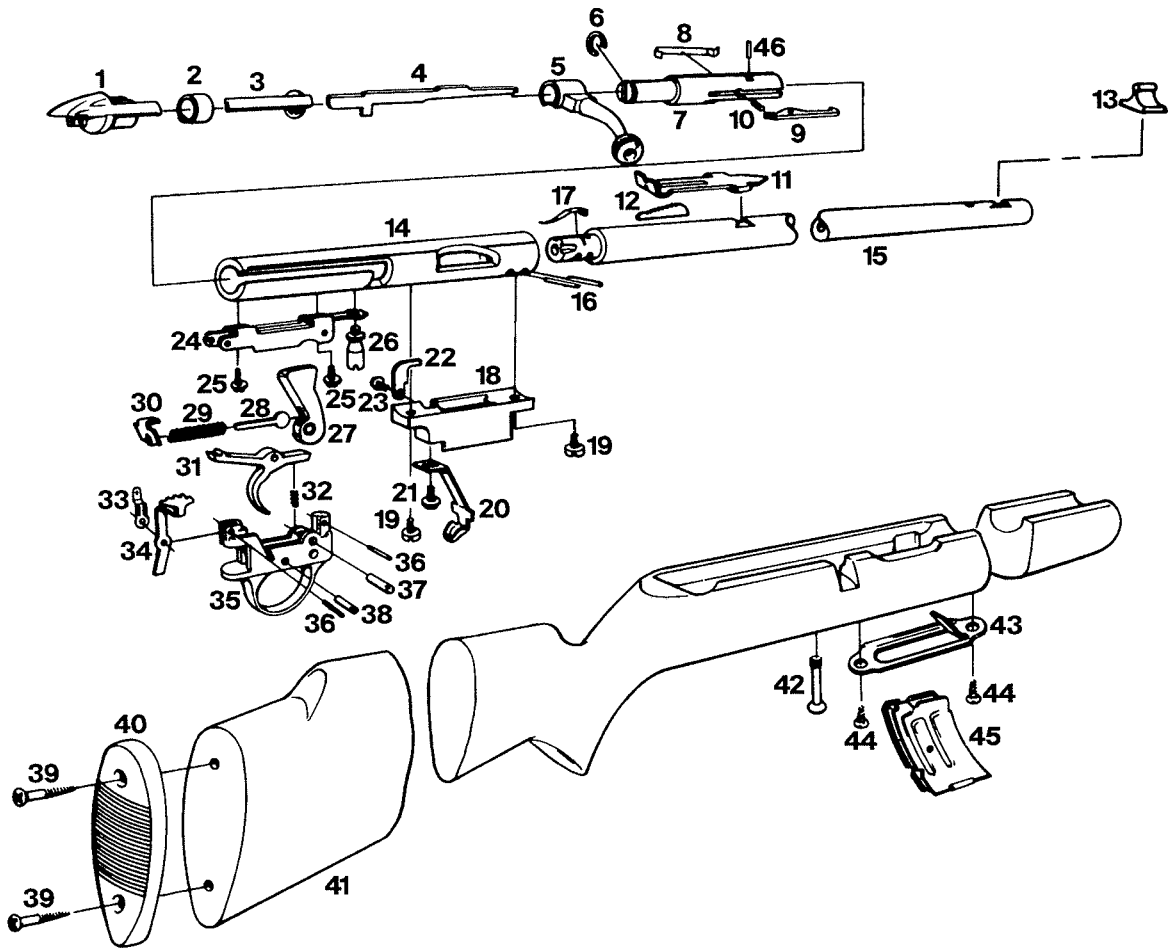
1	Receiver Extension	18	Front Sight	34	Safety
2	Bolt Handle Retaining Collar	19	Front Sight (34M only)	35	Trigger Guard
3	Breechbolt Key	20	Barrel Pins	36	Trigger Spring
4	Firing Pin	21	Trigger Guard Housing	37	Safety Pin and Trigger Guard Pin
5	Bolt Handle	22	Trigger Guard Housing Screw	38	Trigger Pin
6	Bolt Handle Snap Ring	23	Trigger Guard Housing Screw and Magazine Retainer Screw	39	Hammer Pin
7	Extractor, Left	24	Takedown Stud	40	Magazine Housing Screws
8	Extractor Pin	25	Mainspring Plunger Bridge	41	Magazine Retainer
9	Breechbolt	26	Mainspring	42	Buttplate Screws
10	Extractor Spring	27	Mainspring Plunger	43	Buttplate
11	Extractor, Right	28	Hammer	44	Buttplate Spacer
12	Receiver	29	Ejector Screw	45	Stock
13	Bumper	30	Ejector	46	Takedown Screw
14	Rear Sight Step	31	Magazine Housing	47	Floorplate Screws
15	Rear Sight	32	Trigger	48	Floorplate
16	Barrel	33	Safety Detent	49	Magazine
17	Front Sight Screws				

Model 340, 340B, 340C, 340D and 340V Bolt-Action Rifle



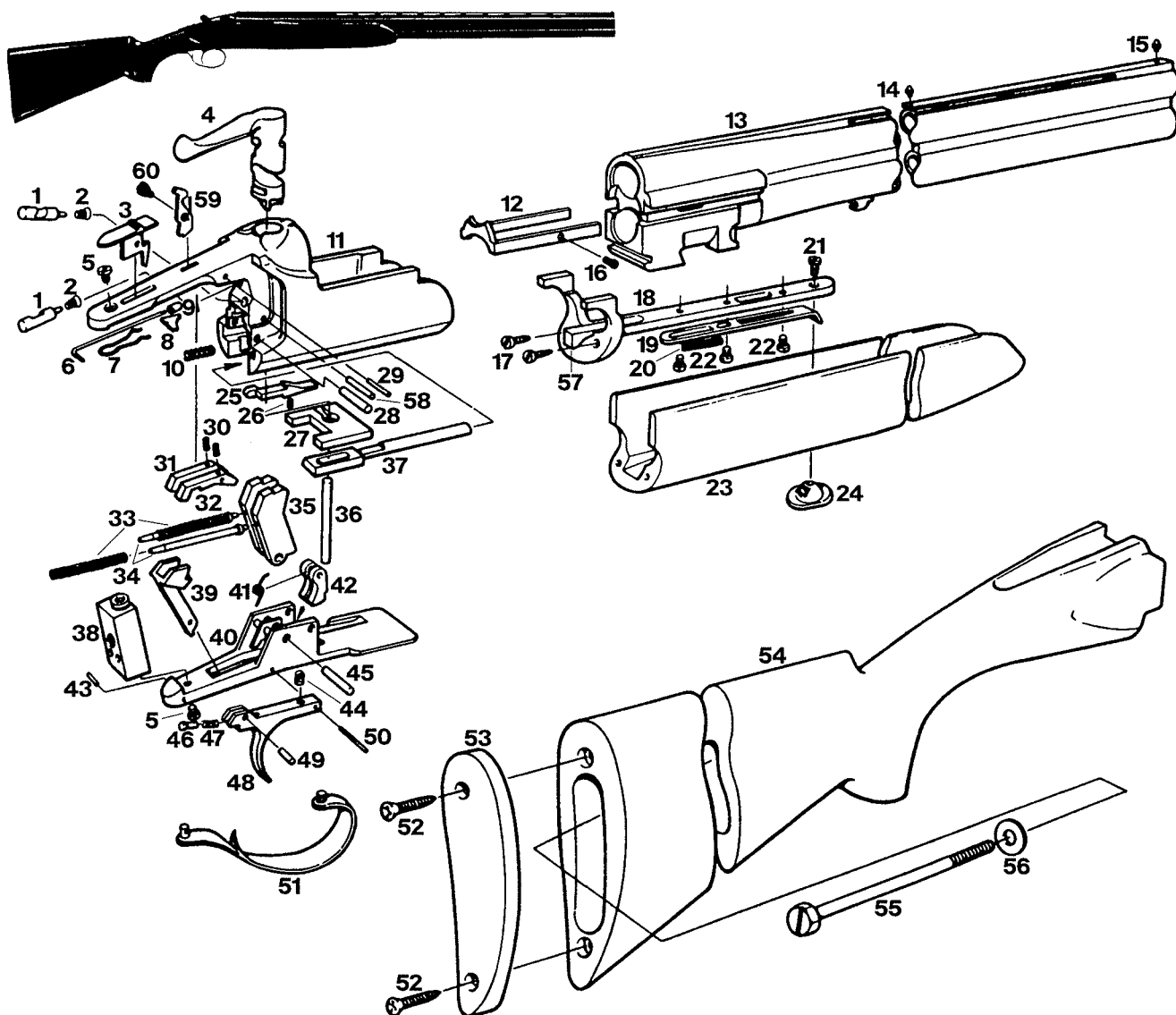
1	Gas Shield Key	23	Barrel Lug	45	Trigger Spring
2	Gas Shield Key Spring	24	Barrel Lock Nut	46	Trigger
3	Gas Shield	25	Barrel	47	Trigger Bracket Screw
4	Cocking Piece Cap	26	Barrel Band	48	Magazine Retainer Spring, Rear
5	Cocking Piece Cap Pin	27	Barrel Band Nut	49	Buttplate Screws
6	Cocking Piece Key	28	Ejector Spring	50	Buttplate
7	Cocking Piece	29	Ejector	51	Buttplate Spacer
8	Bolt Body and Handle	30	Ejector Pin	52	Pistol Grip Cap Screw
9	Mainspring	31	Safety Spring	53	Pistol Grip Cap
10	Gas Shield Clips	32	Safety Plunger Ball	54	Pistol Grip Cap Spacer
11	Gas Shield Clip Pins	33	Trigger Bracket	55	Stock
12	Firing Pin	34	Trigger Bracket Screw, Short	56	Trigger Guard Screw, Rear
13	Bolt Head	35	Sear Pins	57	Trigger Guard
14	Extractor	36	Safety	58	Recoil Lug Screw
15	Bolt Head Retaining Pins	37	Safety Screw	59	Barrel Band Screw
16	Rear Sight	38	Magazine Retainer Screw	60	Magazine Assembly
17	Rear Sight Step	39	Magazine Retainer Spring, Front	61	Extractor Spring Pin
18	Front Sight Screw, Short	40	Sear Spring	62	Baffle Block
19	Front Sight Screw, Long	41	Sear	63	Baffle Block Screw
20	Front Sight	42	Sear Lever	64	Extractor Spring
21	Dummy Screws	43	Sear Cam Pin		
22	Receiver	44	Magazine Stop		

Model 35 and 35M Bolt-Action Rifle



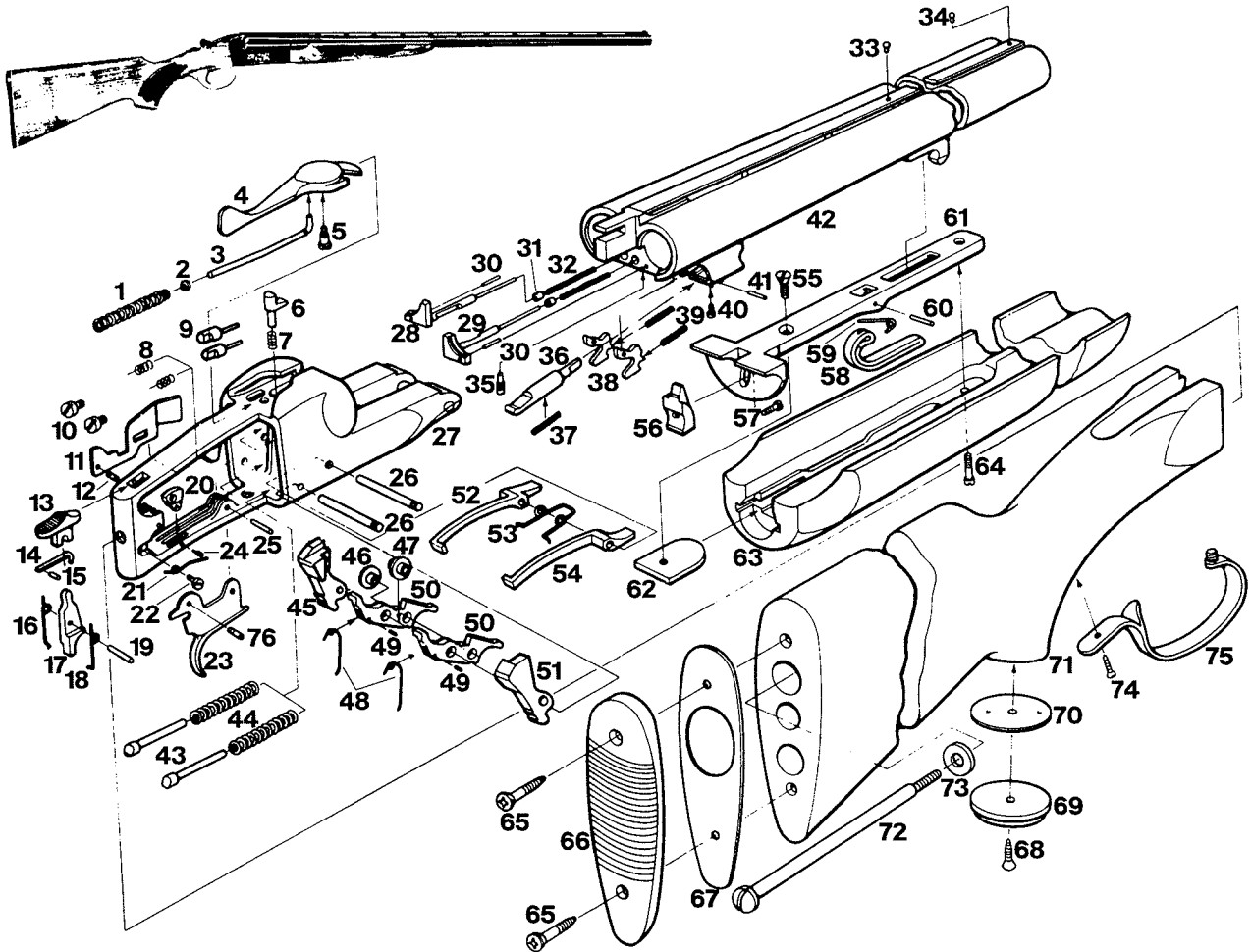
1	Receiver Extension	24	Trigger Guard Housing
2	Bolt Collar	25	Trigger Guard Housing Screws
3	Firing Pin Extension	26	Takedown Stud
4	Firing Pin	27	Hammer
5	Bolt Handle	28	Mainspring Guide Rod
6	Bolt Retaining Clip	29	Mainspring
7	Bolt Housing	30	Mainspring Seat
8	Left Extractor	31	Trigger
9	Right Extractor	32	Trigger Spring
10	Extractor Spring	33	Safety Detent
11	Rear Sight	34	Safety
12	Rear Sight Ramp	35	Trigger Guard
13	Front Sight	36	Trigger Guard Pins
14	Receiver	37	Hammer Pin
15	Barrel	38	Trigger Pin
16	Barrel Retaining Screws	39	Buttplate Screws
17	Barrel Bumper	40	Buttplate
18	Magazine Housing	41	Stock
19	Magazine Housing Screws	42	Takedown Screw
20	Magazine Retainer	43	Floorplate
21	Magazine Retainer Screw	44	Floorplate Screws
22	Magazine Ejector	45	Magazine Assembly
23	Magazine Ejector Screw	46	Extractor Pin

Model 440, 440A and 440T Over/Under Shotgun



1	Firing Pins	21	Forend Screw	41	Cocking Lever Spring
2	Firing Pin Springs	22	Forend Latch Screws	42	Cocking Lever
3	Safety	23	Forend Wood	43	Trigger Guard Pin
4	Top Lever	24	Escutcheon	44	Trigger Spring
5	Receiver Tang Screws	25	Top Snap Trip	45	Hammer Pin
6	Top Snap Plunger	26	Top Snap Trip Spring	46	Rocker Arm Spring Plunger
7	Safety Spring	27	Bolt	47	Inertia Block Spring
8	Hammer Retractor	28	Cocking Lever Pin	48	Trigger
9	Top Snap Plunger Collar	29	Sear Pin	49	Rocker Arm Pin
10	Top Lever Spring	30	Sear Springs	50	Trigger Pin
11	Receiver	31	Sear, Left	51	Trigger Guard
12	Extractor	32	Sear, Right	52	Buttplate Screws
13	Barrel	33	Hammer Springs	53	Buttplate
14	Rear Sight	34	Mainspring Plungers	54	Stock
15	Front Sight	35	Hammer	55	Stock Bolt
16	Extractor Screw	36	Top Lever Spindle	56	Stock Bolt Washer
17	Forend Iron Head Screws	37	Cocking Rod	57	Cocking Lug
18	Forend Iron	38	Receiver Space Block	58	Firing Pin Retaining Pin
19	Forend Latch	39	Inertia Block	59	Selector Assembly (440A only)
20	Forend Latch Spring	40	Trigger Plate	60	Selector Screw (440A only)

Model 550 Side-by-Side Shotgun

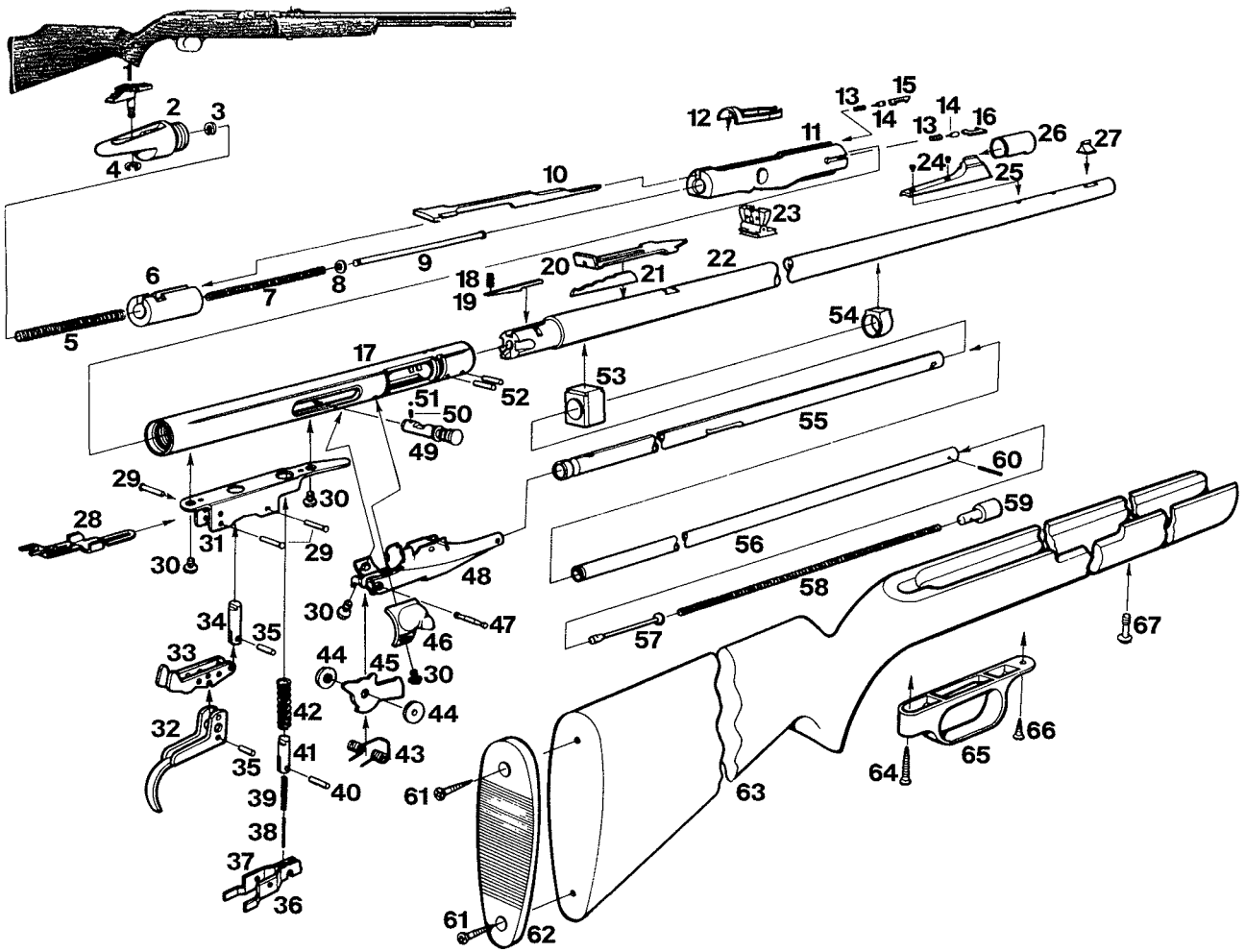


- 1 Top Snap Plunger Spring
- 2 Top Snap Plunger Collar
- 3 Top Snap Plunger
- 4 Top Snap
- 5 Top Snap Screw
- 6 Top Snap Trip
- 7 Top Snap Trip Spring
- 8 Firing Pin Springs
- 9 Firing Pins
- 10 Firing Pin Retaining Screws
- 11 Slide
- 12 Trigger Stud
- 13 Safety Button
- 14 Safety Spring
- 15 Safety Plunger
- 16 Slide Spring
- 17 Safety-Lever
- 18 Trigger Spring
- 19 Safety-Lever Pin
- 20 Inertia Block
- 21 Inertia Block Spring
- 22 Inertia Block Spring Screw
- 23 Trigger
- 24 Inertia Block Pin
- 25 Trigger Pin

- 26 Sear Pin and Cocking Lever and Hammer Pin
- 27 Frame
- 28 Extractor, Left
- 29 Extractor, Right
- 30 Extractor Guide Pins
- 31 Ejector Collars
- 32 Ejector Springs
- 33 Rear Sight
- 34 Front Sight
- 35 Extractor Screw
- 36 Cocking Plunger
- 37 Cocking Plunger Spring
- 38 Ejector Sear
- 39 Ejector Sear Springs
- 40 Cocking Plunger Retaining Screw
- 41 Ejector Sear Pin
- 42 Barrel
- 43 Mainspring Plungers
- 44 Mainsprings
- 45 Hammer, Left
- 46 Cocking Lever Spacer
- 47 Cocking Lever Bushing
- 48 Cocking Lever Springs
- 49 Cocking Lever Spring Pins

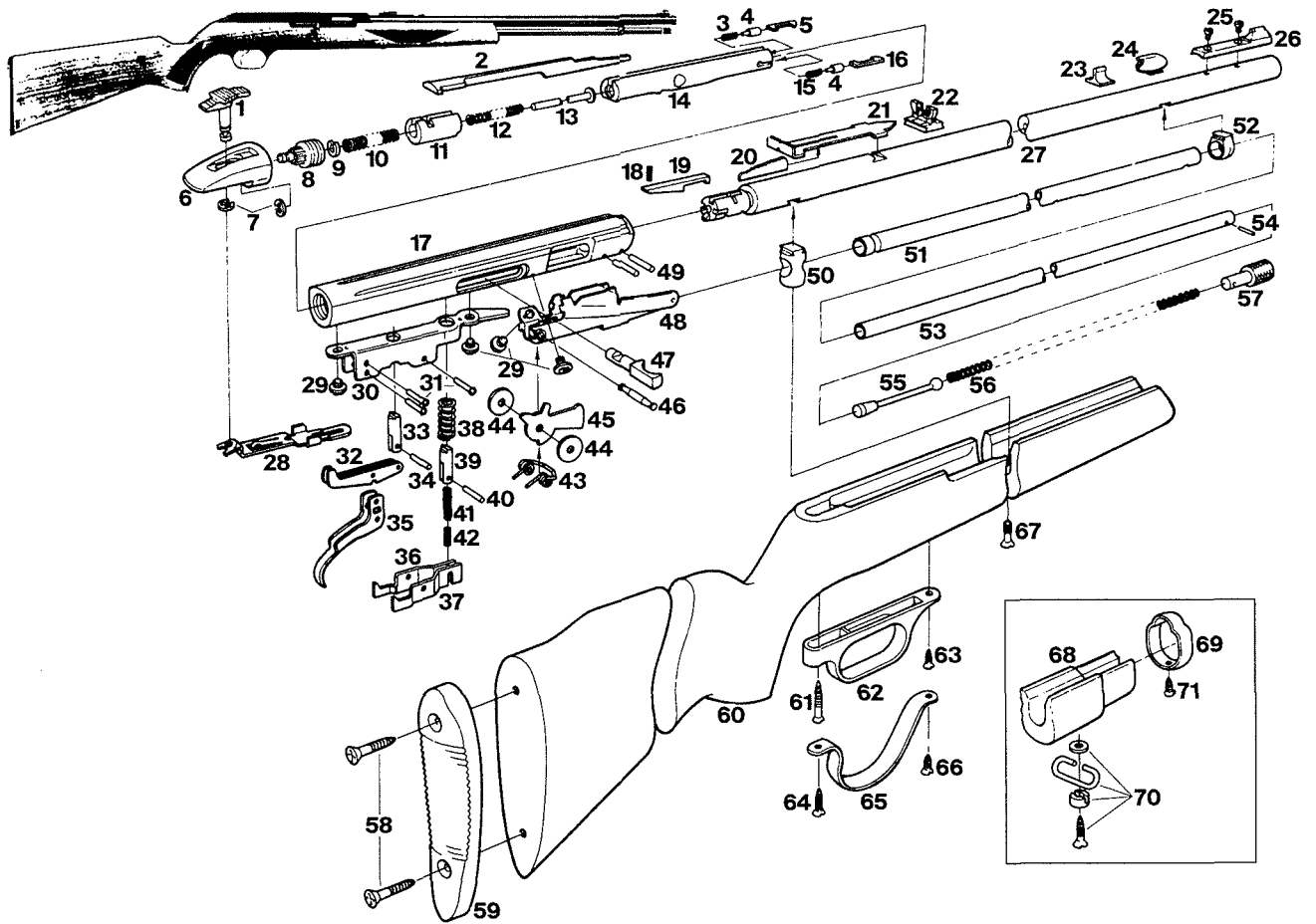
- 50 Cocking Levers
- 51 Hammer, Right
- 52 Sear, Left
- 53 Sear Spring
- 54 Sear, Right
- 55 Forend Screw, Rear
- 56 Ejector
- 57 Ejector Screw
- 58 Forend Spring
- 59 Forend Spring Spring
- 60 Forend Spring Pin
- 61 Forend Iron
- 62 Forend Insert
- 63 Forend Wood
- 64 Forend Screw, Front
- 65 Buttplate Screws
- 66 Buttplate
- 67 Buttplate Liner
- 68 Pistol Grip Cap Screw
- 69 Pistol Grip Cap
- 70 Pistol Grip Cap Liner
- 71 Stock
- 72 Stock Bolt
- 73 Stock Bolt Washer
- 74 Trigger Guard Screw
- 75 Trigger Guard
- 76 Trigger Stop Pin

Model 6J, 6M, 6N, 6JDL and 6P, Stevens Model 87J, 87M and 87N, and Springfield Model 187J, 187M and 187N Autoloading Rifle



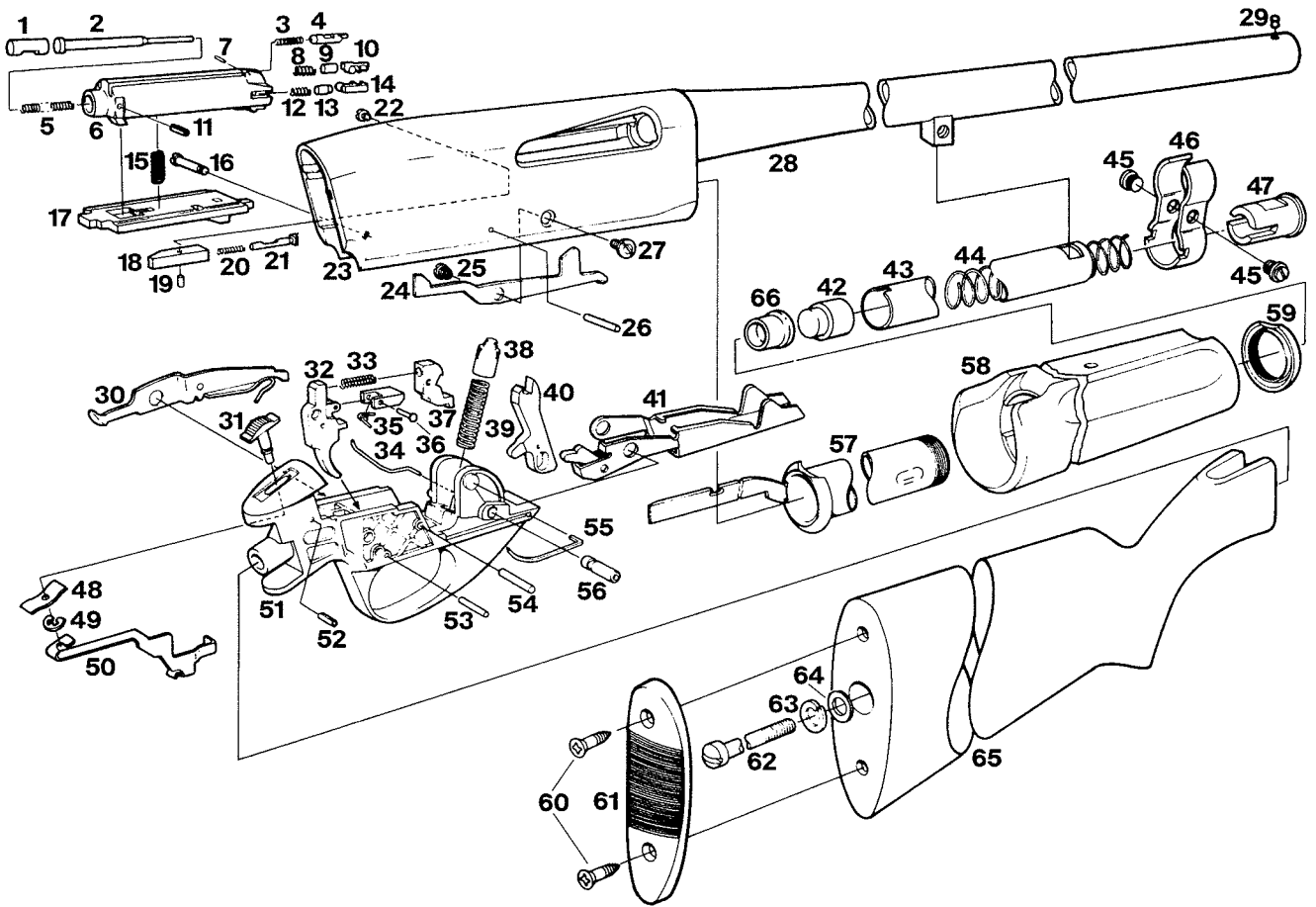
- | | | | | | |
|----|------------------------------|----|---------------------------------|----|----------------------------------|
| 1 | Safety Button | 24 | Front Sight Screws | 45 | Lifter |
| 2 | Recoil Plug Assembly | 25 | Front Sight Complete | 46 | Deflector |
| 3 | Hammer Spring Washer | 26 | Front Sight Hood | 47 | Lifter Pin |
| 4 | Safety Button Retaining Ring | 27 | Front Sight | 48 | Magazine Guide |
| 5 | Hammer Spring | 28 | Safety Slide | 49 | Locking Bolt |
| 6 | Hammer | 29 | Trigger, Detent and Release | 50 | Locking Bolt Plunger Ball Spring |
| 7 | Breechbolt Spring | | Lever Pins | 51 | Locking Bolt Plunger Ball |
| 8 | Breechbolt Spring Washer | 30 | Release Housing and Magazine | 52 | Barrel Pins |
| 9 | Breechbolt Spring Rod | | Guide Screws | 53 | Magazine Mount, Rear |
| 10 | Firing Pin | 31 | Release Housing | 54 | Magazine Mount, Front |
| 11 | Breechbolt | 32 | Trigger | 55 | Outside Magazine Tube |
| 12 | Extractor | 33 | Release Lever | 56 | Inside Magazine Tube |
| 13 | Extractor Plunger Springs | 34 | Release Plunger | 57 | Magazine Follower |
| 14 | Extractor Plungers | 35 | Trigger and Detent Plunger Pins | 58 | Magazine Follower Spring |
| 15 | Extractor, Left | 36 | Detent Lever, Right | 59 | Magazine Plug |
| 16 | Extractor, Right | 37 | Detent Lever, Left | 60 | Magazine Plug Pin |
| 17 | Receiver | 38 | Detent Plunger Inner Spring | 61 | Buttplate Screws |
| 18 | Bumper Spring | 39 | Detent Plunger Spring | 62 | Buttplate |
| 19 | Bumper | 40 | Release Plunger Pin | 63 | Stock |
| 20 | Rear Sight | 41 | Detent Plunger | 64 | Trigger Guard Screw, Long |
| 21 | Rear Sight Step | 42 | Release Spring | 65 | Trigger Guard |
| 22 | Barrel | 43 | Lifter Spring | 66 | Trigger Guard Screw, Short |
| 23 | Rear Sight | 44 | Lifter Spacers | 67 | Takedown Screw |

Model 60 and 90, and Stevens and Springfield Model 88 and 388 Autoloading Rifle



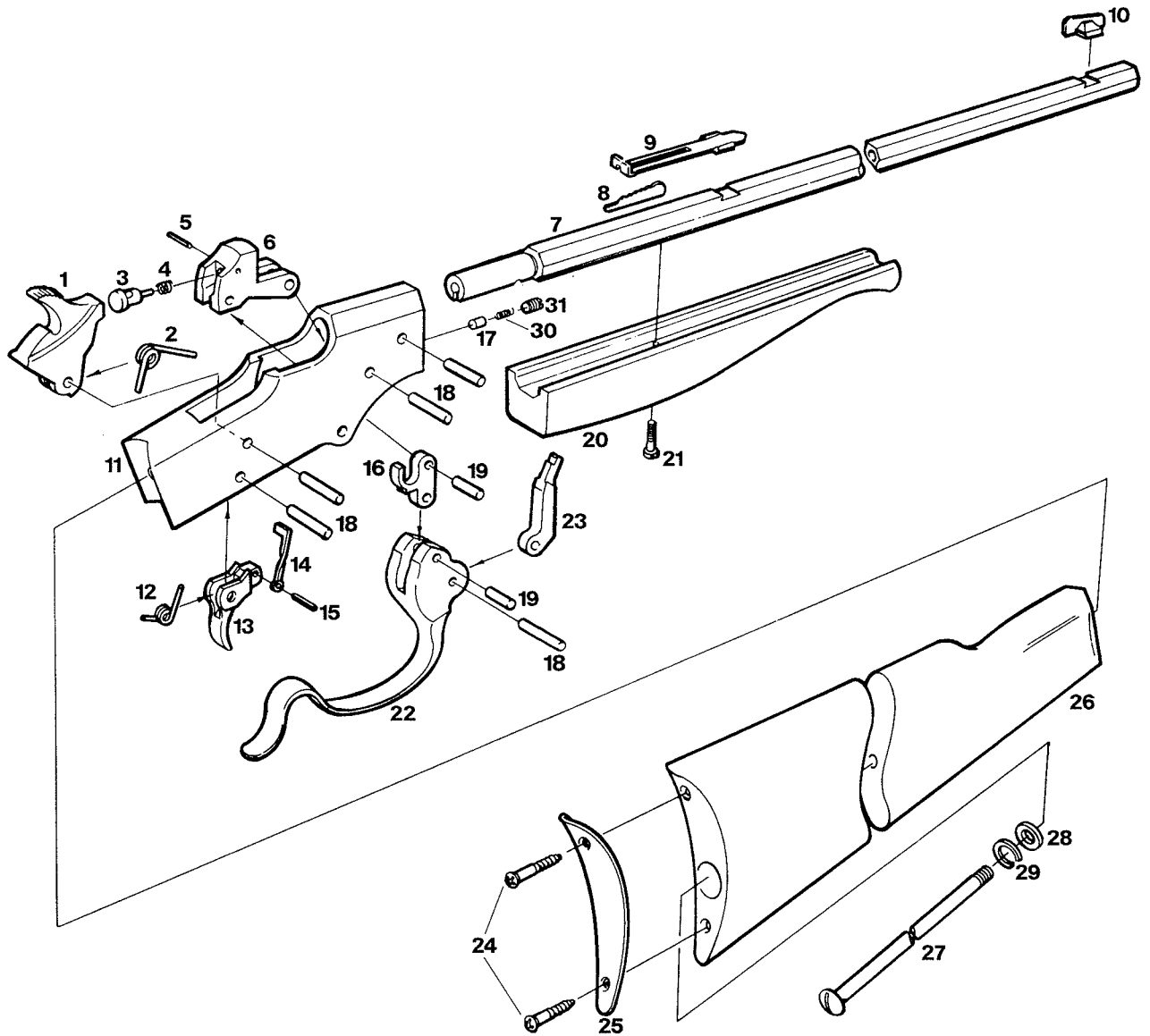
1	Safety Button	26	Front Sight Base	50	Magazine Mount, Rear
2	Firing Pin	27	Barrel	51	Outside Magazine Tube
3	Extractor Plunger Spring, Left	28	Safety Slide	52	Magazine Mount, Front
4	Extractor Plungers	29	Release Housing Screw	53	Inside Magazine Tube
5	Extractor, Left	30	Release Housing	54	Magazine Plug Pin
6	Recoil Plug Assembly	31	Trigger, Detent and Release Lever Pins	55	Magazine Follower
7	Safety Button Retaining Rings	32	Release Lever	56	Magazine Follower Spring
8	Recoil Plug Insert	33	Release Plunger	57	Magazine Plug
9	Hammer Spring Washer	34	Trigger Pin	58	Buttplate Screws
10	Hammer Spring	35	Trigger	59	Buttplate
11	Hammer	36	Detent Lever, Left	60	Stock
12	Breechbolt Spring	37	Detent Lever, Right	61	Trigger Guard Screw, Long
13	Breechbolt Spring Rod	38	Release Spring	62	Trigger Guard
14	Breechbolt	39	Detent Plunger	63	Trigger Guard Screw, Short
15	Extractor Plunger Spring, Right	40	Release Plunger Pin	64	Trigger Guard Screw, Rear (Model 88 and 388)
16	Extractor, Right	41	Detent Plunger Spring	65	Trigger Guard (Model 88 and 388)
17	Receiver	42	Detent Plunger Inner Spring	66	Trigger Guard Screw, Front (Model 88 and 388)
18	Bumper Spring	43	Lifter Spring	67	Takedown Screw
19	Bumper	44	Lifter Spacers	68	Stock (Model 90)
20	Rear Sight Step	45	Lifter	69	Barrel Band (Model 90 and 388)
21	Rear Sight	46	Lifter Pin	70	Swivel Assembly
22	Rear Sight (Model 90)	47	Locking Bolt	71	Barrel Band Screw
23	Front Sight (Model 88 and 388)	48	Magazine Guide		
24	Front Sight (Model 90)	49	Barrel Pins		
25	Front Sight Screws				

Model 67 Series C and E Slide-Action Shotgun



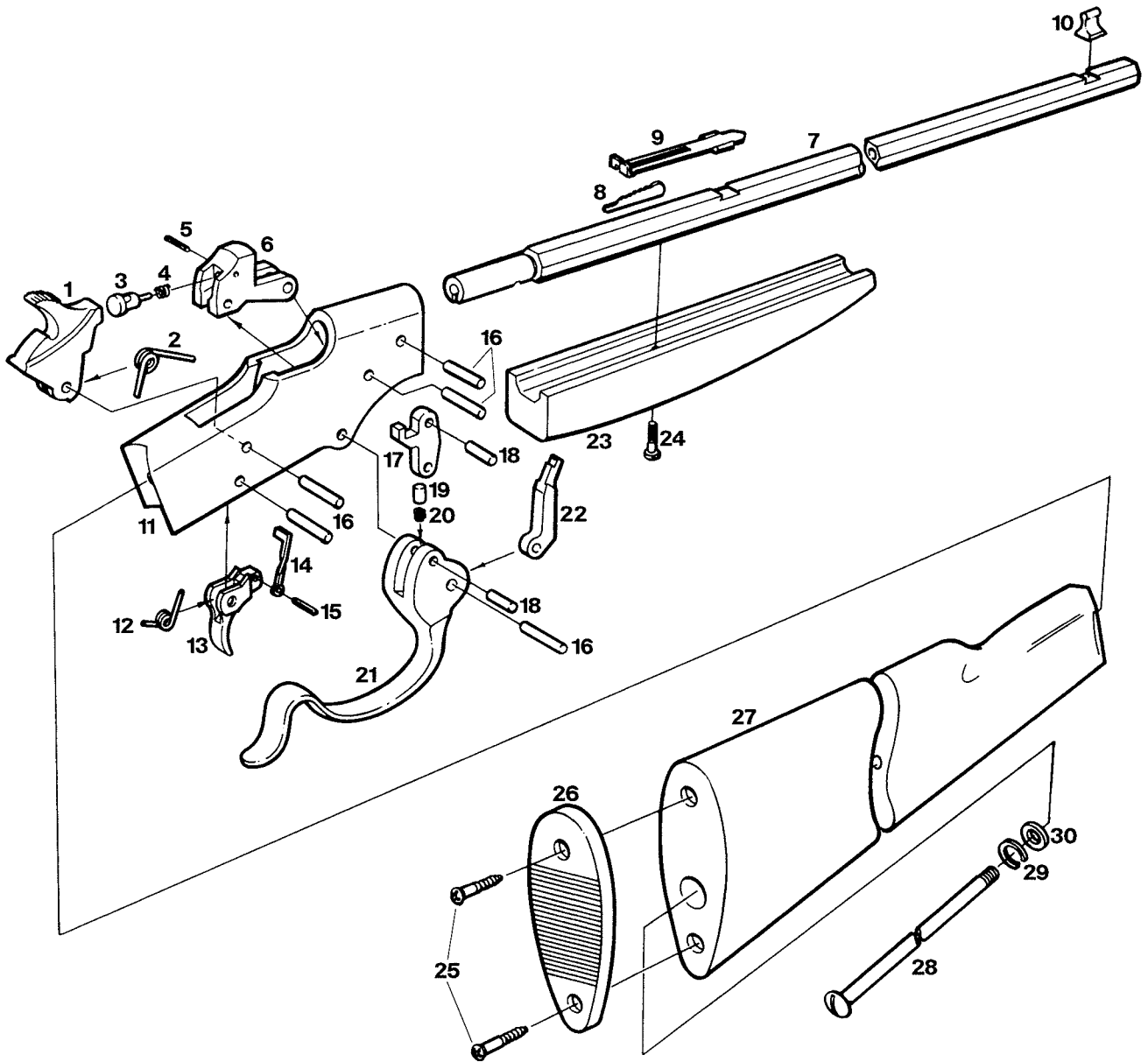
1	Firing Pin Extension	23	Receiver	45	Magazine House/Tube Screws
2	Firing Pin	24	Cartridge Stop	46	Magazine Tube Yoke
3	Shell Stop Spring	25	Cartridge Stop Pivot Nut	47	Magazine Plug
4	Shell Stop	26	Trigger Guard Pin	48	Safety Spring
5	Firing Pin Spring	27	Cartridge Stop Pivot Screw	49	Safety Return Ring
6	Breechbolt	28	Barrel	50	Safety-Lever
7	Shell Stop Retaining Pin	29	Front Sight	51	Trigger Guard
8	Extractor Spring, Left	30	Slide Lock Assembly	52	Safety-Lever Return Pin
9	Extractor Plunger, Left	31	Safety	53	Trigger Pin
10	Extractor, Left	32	Trigger Assembly	54	Sear Pin
11	Firing Pin Stop Pin	33	Trigger Spring	55	Lifter Spring
12	Extractor Spring, Right	34	Slide Lock Release Spring	56	Hammer Bushing
13	Extractor Plunger, Right	35	Sear Trip and Spring	57	Operating Handle Bar Assembly
14	Extractor, Right	36	Sear Trip Pin	58	Operating Handle Wood
15	Bolt Support Spring	37	Sear	59	Operating Handle Collar Front
16	Trigger Guard Screw	38	Mainspring Plunger	60	Buttplate Screws
17	Slide Assembly (Series C Only)	39	Mainspring	61	Buttplate
18	Ejector	40	Hammer Assembly	62	Stock Bolt
19	Ejector Pin	41	Lifter Assembly	63	Stock Bolt Lock Washer
20	Ejector Spring	42	Magazine Follower	64	Stock Bolt Washer
21	Ejector Plunger	43	Magazine Tube	65	Stock Assembly
22	Ejector Screw	44	Magazine Spring	66	Magazine Tube Adapter

Model 71 and Stevens Favorite Single Shot Rifle



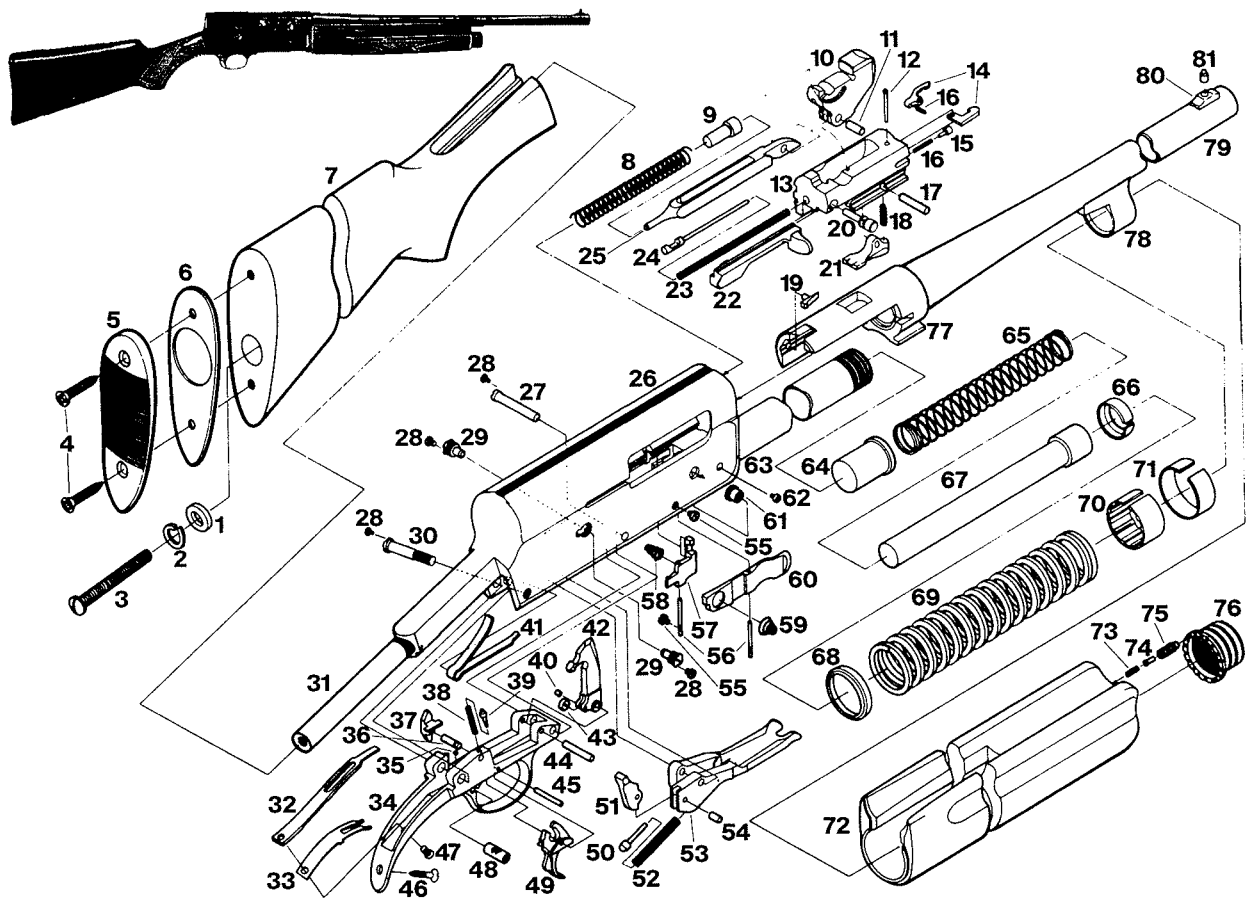
1	Hammer	18	Hammer, Breechblock and Trigger Pins
2	Hammer Spring	19	Link Pin
3	Firing Pin	20	Forend
4	Firing Pin Spring	21	Forend Screw
5	Firing Pin Retaining Pin	22	Lever
6	Breechblock	23	Extractor
7	Barrel	24	Buttplate Screws
8	Rear Sight Step	25	Buttplate
9	Rear Sight	26	Stock
10	Front Sight Assembly	27	Stock Bolt
11	Frame	28	Stock Bolt Washer
12	Trigger Spring	29	Stock Bolt Lock Washer
13	Trigger	30	Breechblock Plunger Spring
14	Hammer Block	31	Breechblock Plunger Retaining Screw
15	Hammer Block Pin		
16	Link		
17	Breechblock Plunger		

Model 72 and 74 Single Shot Rifle



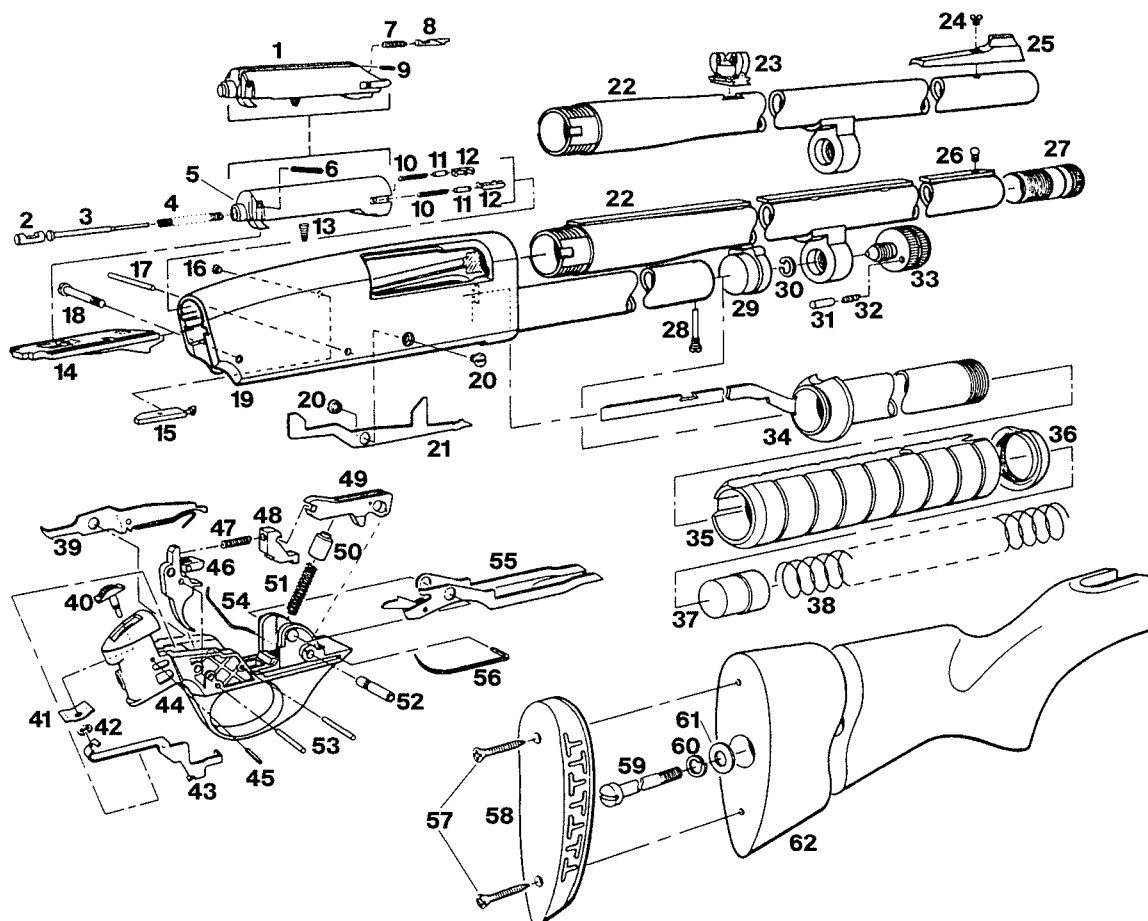
1	Hammer	16	Hammer, Breechblock and Trigger Pins
2	Hammer Spring	17	Link
3	Firing Pin	18	Link Pins
4	Firing Pin Spring	19	Detent Plunger
5	Firing Pin Securing Pin	20	Detent Plunger Spring
6	Breechblock	21	Lever
7	Barrel	22	Extractor
8	Rear Sight Step	23	Forend
9	Rear Sight	24	Forend Screw
10	Front Sight	25	Buttplate Screws
11	Frame	26	Buttplate
12	Trigger Spring	27	Stock
13	Trigger	28	Stock Bolt
14	Hammer Block	29	Stock Bolt Washer
15	Hammer Block Pin	30	Stock Bolt Lock Washer

Model 720, 745, 750 and 750C and Springfield 745B and 745C Autoloading Shotgun



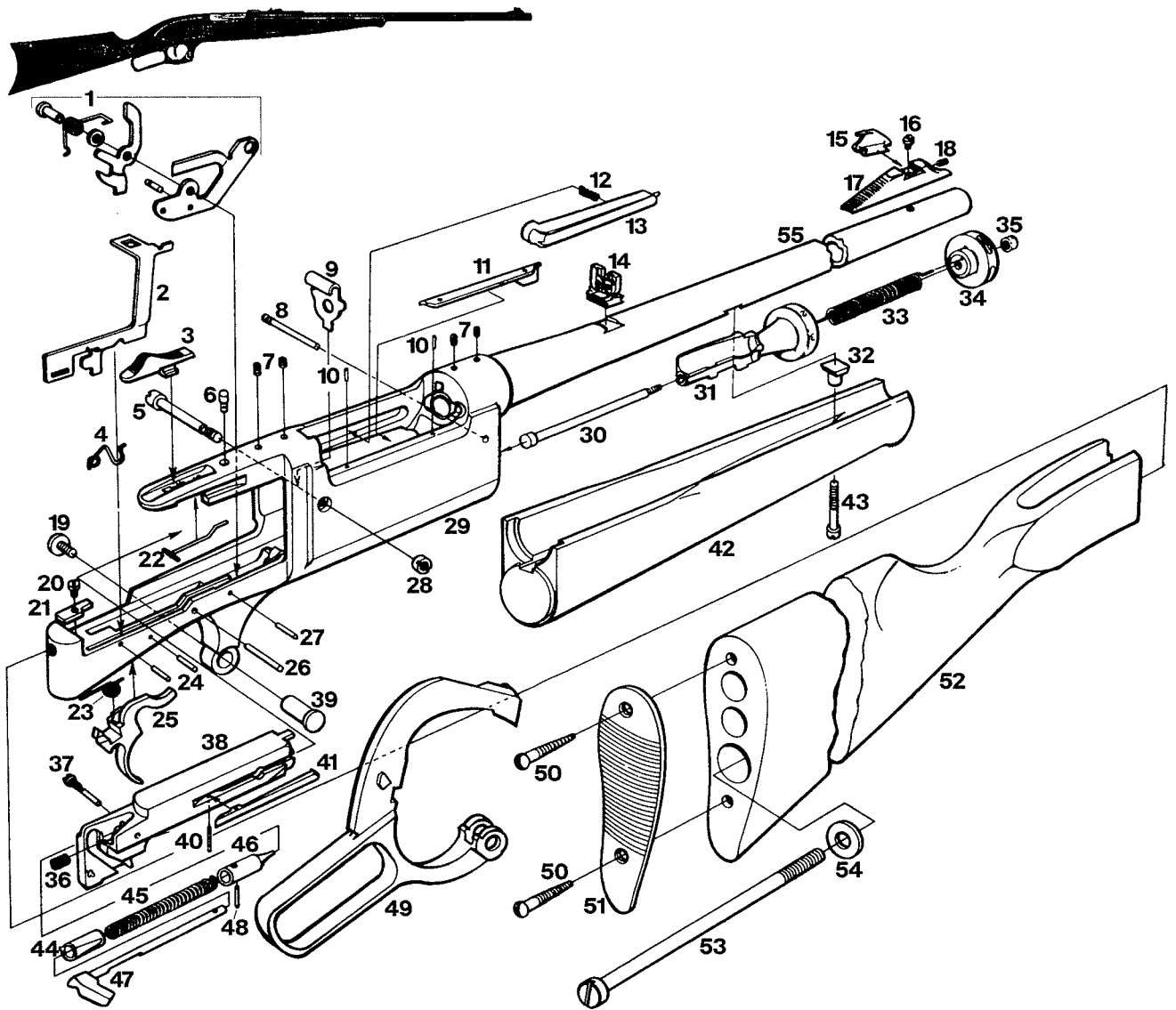
1	Stock Bolt Washer	29	Lifter Screws	56	Lifter Latch and Cocking Stop Pins
2	Stock Bolt Lock Washer	30	Trigger Guard Screw	57	Cartridge Stop
3	Stock Bolt	31	Action Spring Tube	58	Cartridge Stop Spring
4	Buttplate Screws	32	Mainspring	59	Lifter Latch Spring
5	Buttplate	33	Trigger Spring	60	Lifter Latch
6	Buttplate Liner	34	Trigger Guard	61	Lifter Latch Button
7	Stock	35	Safety Plunger Ball	62	Magazine Screw
8	Action Spring	36	Safety Sear Pin	63	Magazine Tube
9	Action Spring Follower	37	Sear	64	Magazine Follower
10	Locking Bolt	38	Safety Sear Spring	65	Magazine Spring
11	Link Pin	39	Safety Sear Follower	66	Magazine Spring Retainer
12	Extractor Pin	40	Hammer Roll Pin	67	Magazine Plug Wood
13	Breechblock	41	Lifter Spring	68	Friction Ring
14	Extractors	42	Hammer	69	Recoil Spring
15	Extractor Plunger	43	Hammer Roll	70	Friction Piece
16	Extractor Springs	44	Hammer Pin	71	Friction Spring
17	Locking Bolt Latch Pin	45	Trigger Pin	72	Forend
18	Locking Bolt Latch Spring	46	Tang Screw	73	Magazine Cap Stop Spring
19	Ejector	47	Mainspring Screw	74	Magazine Cap Stop Plunger
20	Firing Pin Stop Pin	48	Safety	75	Magazine Cap Stop
21	Locking Bolt Latch	49	Trigger	76	Magazine Cap
22	Slide Action	50	Lifter Pawl Plunger	77	Barrel Extension
23	Firing Pin Spring	51	Lifter Pawl	78	Barrel Guide
24	Firing Pin	52	Lifter Pawl Spring	79	Barrel
25	Link	53	Lifter	80	Front Sight Base
26	Receiver	54	Lifter Pawl Pin	81	Front Sight
27	Trigger Guard Pin	55	Locking Screws		
28	Locking Screws				

Model 79, 79-T, 79VR and 79VR-T Slide-Action Shotgun



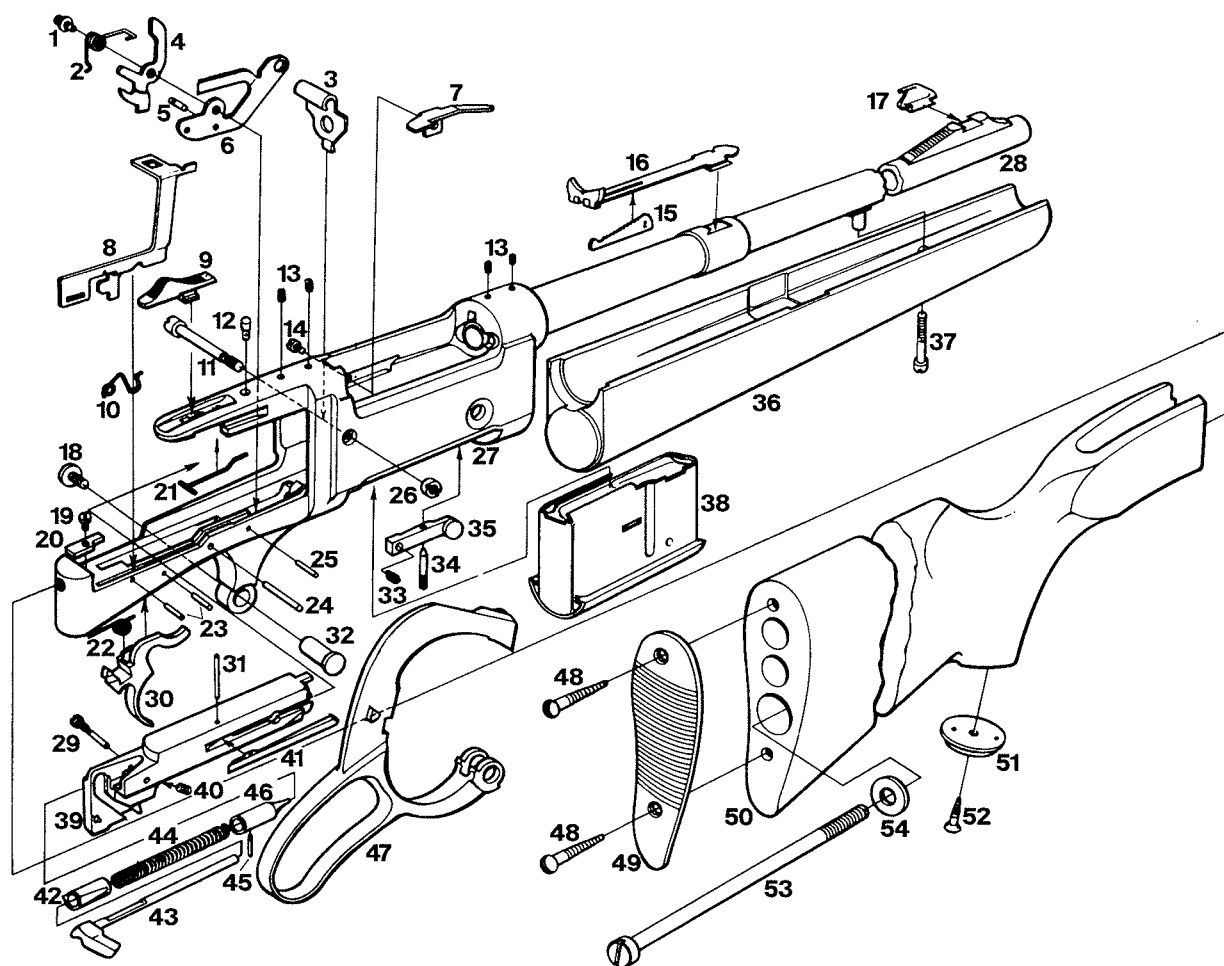
1	Bolt Assembly Complete	22	Barrel	43	Safety-Lever
2	Firing Pin Extension	23	Rear Sight, Slug Barrel	44	Trigger Guard and Housing
3	Firing Pin	24	Front Sight Screw, Slug Barrel	45	Safety Pin
4	Firing Pin Spring	25	Front Sight, Slug Barrel	46	Trigger
5	Bolt Body	26	Front Sight Bead	47	Sear Spring
6	Firing Pin Retaining Pin	27	Choke Tube	48	Sear
7	Shell Stop Spring	28	Magazine Plug Tube	49	Hammer
8	Shell Stop	29	Magazine Plug	50	Hammer Spring Plunger
9	Shell Stop Pin	30	Takedown Screw Lock Washer	51	Hammer Spring
10	Extractor Springs	31	Takedown Screw Spring Pin	52	Hammer Pins
11	Extractor Plungers	32	Takedown Screw Spring	53	Trigger Pins
12	Extractors	33	Takedown Screw	54	Slide Lock Spring
13	Bolt Support Spring	34	Operating Handle Bar Assembly	55	Lifter
14	Slide Assembly	35	Operating Handle	56	Lifter Spring
15	Ejector	36	Operating Handle Collar	57	Buttpad Screws
16	Ejector Screw	37	Magazine Follower	58	Buttpad
17	Trigger Guard Pin	38	Magazine Spring	59	Stock Bolt
18	Trigger Guard Screw	39	Slide Lock	60	Lock Washer
19	Receiver	40	Safety Switch	61	Washer
20	Cartridge Stop Screws	41	Safety Bushing	62	Stock
21	Cartridge Stop	42	Safety Lock Washer		

Model 99, 99A and 358 Series A Lever-Action Rifle



1	Sear Bracket Assembly	20	Breechbolt Stop Screw	37	Hammer Bushing Screw
2	Safety Slide	21	Breechbolt Stop	38	Breechbolt
3	Safety Button	22	Hammer Indicator Spring	39	Lever Bushing
4	Safety Slide Spring	23	Trigger Spring	40	Extractor Pin
5	Sear Screw	24	Safety Slide Spring and Stop Pins	41	Extractor
6	Hammer Indicator	25	Trigger	42	Forend
7	Dummy Screws	26	Trigger Pin	43	Forend Screw
8	Carrier Spindle Head Screw	27	Sear Bracket Pin	44	Hammer Bushing
9	Carrier Spindle Support	28	Sear Screw Nut	45	Mainspring
10	Cartridge Guide Pins	29	Receiver	46	Firing Pin
11	Cartridge Guide	30	Carrier Spindle	47	Hammer
12	Automatic Cutoff Spring	31	Carrier	48	Firing Pin Securing Pin
13	Automatic Cutoff	32	Barrel Stud	49	Lever
14	Rear Sight	33	Carrier Spring	50	Buttplate Screws
15	Front Sight	34	Carrier Spindle Head	51	Buttplate
16	Front Sight Screw	35	Carrier Spindle Nut	52	Stock
17	Front Sight Base	36	Hammer Retractor Spring	53	Stock Bolt
18	Front Sight Adjusting Screw			54	Stock Bolt Washer
19	Lever Bushing Screw			55	Barrel

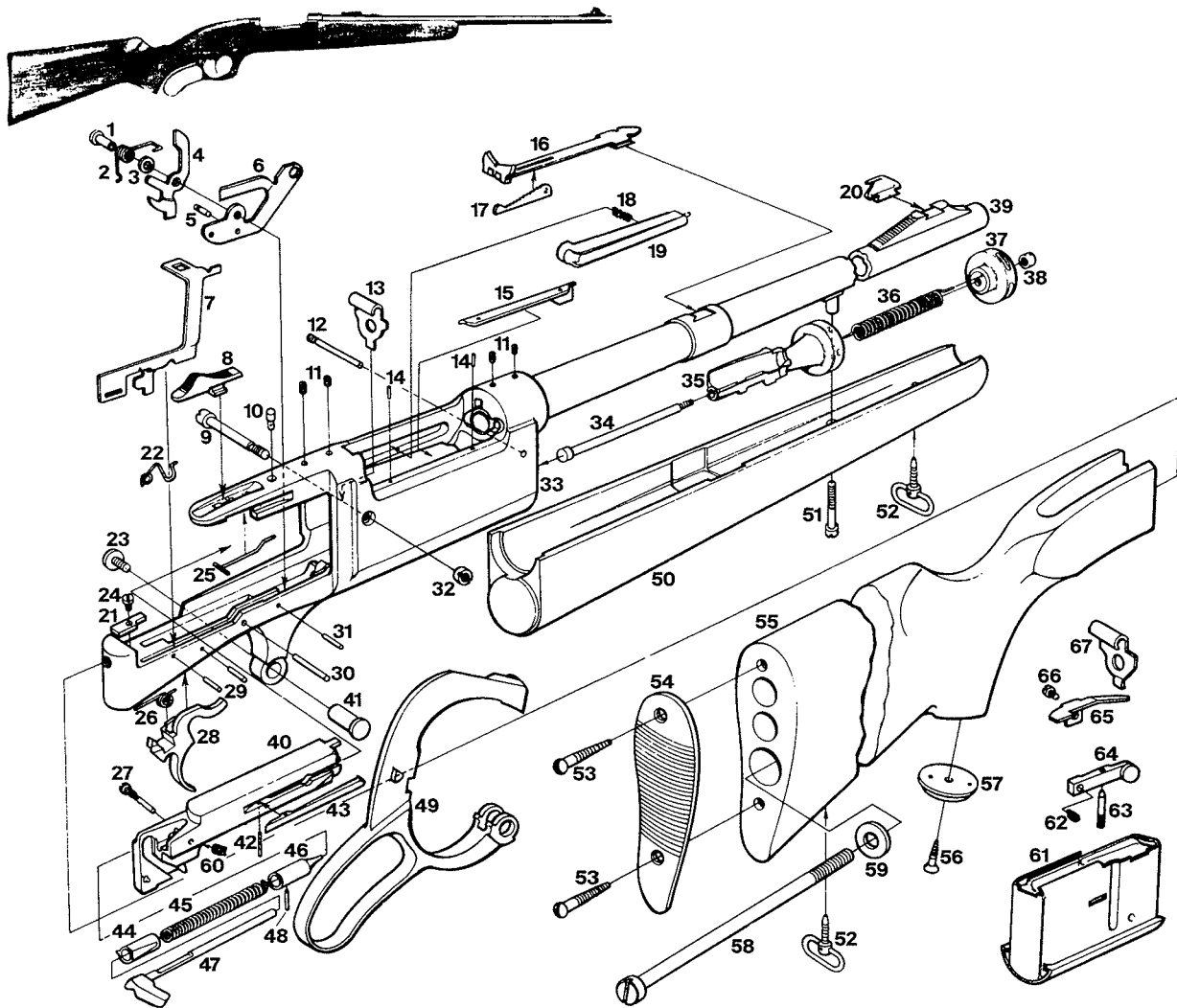
Model 99C Lever-Action Rifle



1	Sear Stop Stud	19	Breechbolt Stop Screw	37	Forend Screw
2	Sear Spring	20	Breechbolt Stop	38	Magazine Assembly
3	Filler Block	21	Hammer Indicator Spring	39	Breechbolt
4	Sear	22	Trigger Spring	40	Hammer Retractor Spring
5	Sear Pivot Stud	23	Safety Slide Pins	41	Extractor
6	Sear Bracket	24	Trigger Pin	42	Hammer Bushing
7	Ejector	25	Sear Bracket Pin	43	Hammer
8	Safety Slide	26	Sear Screw Nut	44	Mainspring
9	Safety Button	27	Receiver	45	Firing Pin Securing Pin
10	Safety Slide Spring	28	Barrel	46	Firing Pin
11	Sear Screw	29	Hammer Bushing Screw	47	Lever
12	Hammer Indicator	30	Trigger	48	Buttplate Screws
13	Dummy Screws	31	Extractor Pin	49	Buttplate
14	Ejector Screw	32	Lever Bushing	50	Stock
15	Rear Sight Step	33	Magazine Latch Spring	51	Pistol Grip Cap
16	Rear Sight	34	Magazine Latch Pin	52	Pistol Grip Cap Screw
17	Front Sight	35	Magazine Latch	53	Stock Bolt
18	Lever Bushing Screw	36	Forend	54	Stock Bolt Washer

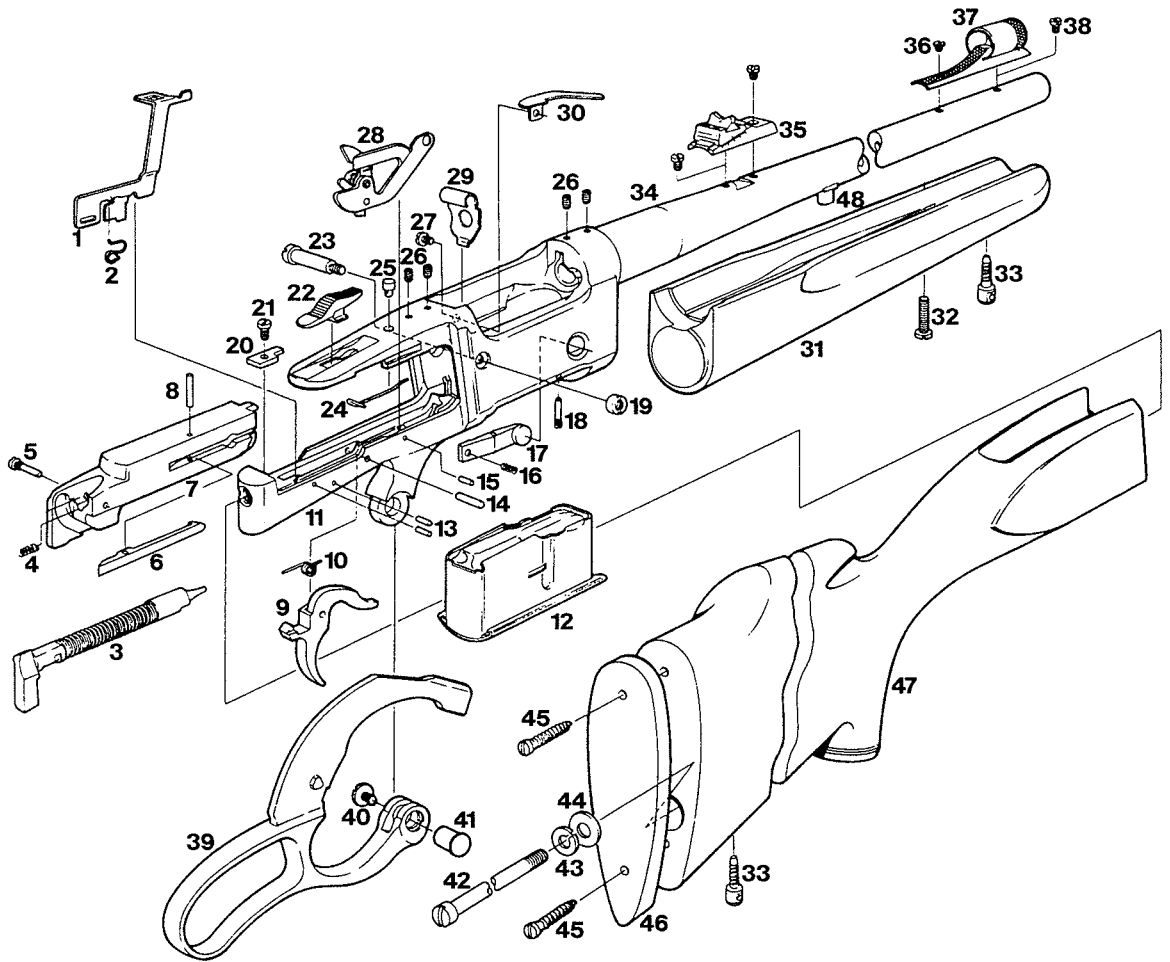
SAVAGE

Model 99C, 99DL(M), 99E, 99F, 99DE and 99PE Series A Lever-Action Rifle (Serial No. 1,000,000+)



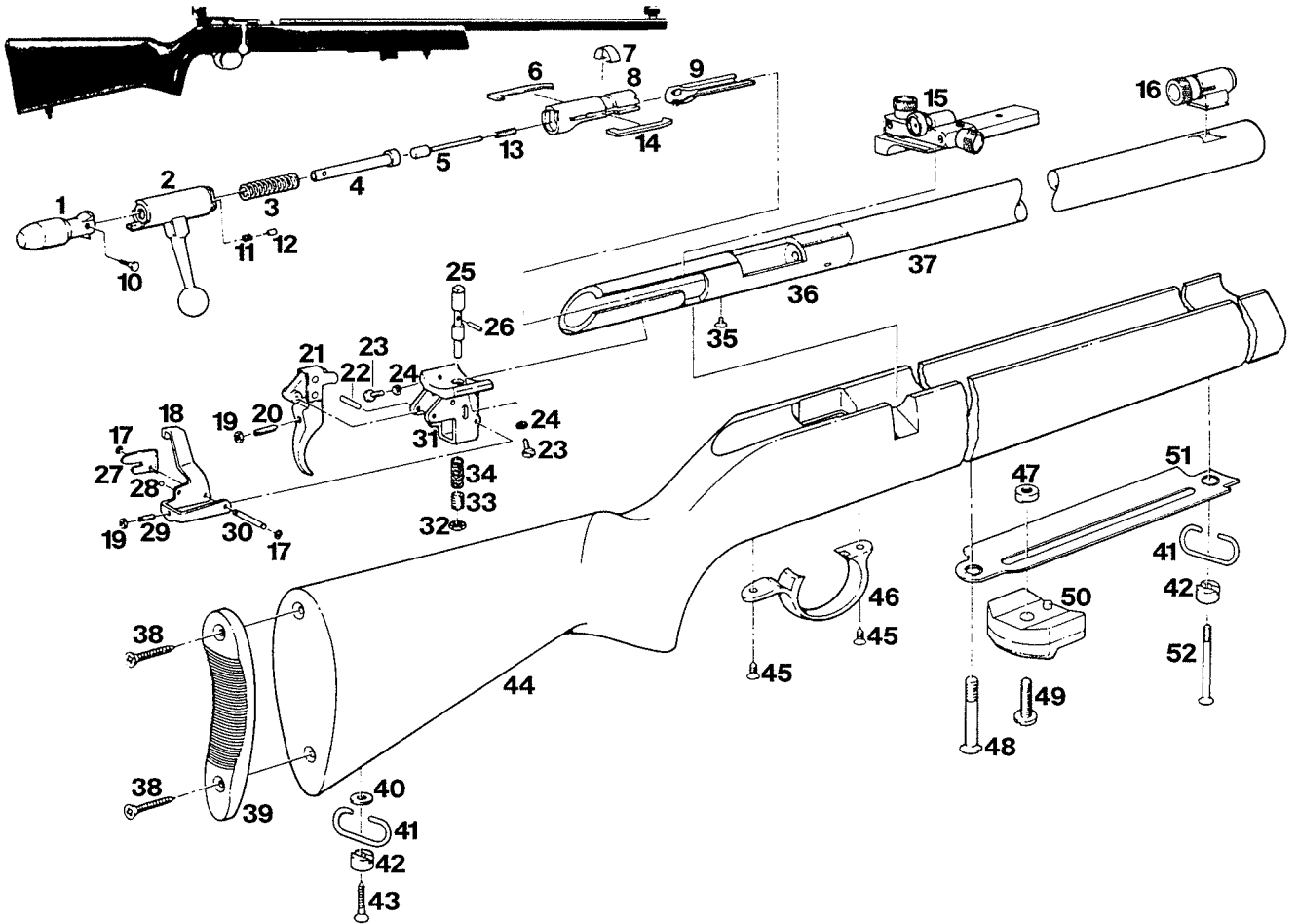
1	Sear Stop Stud	24	Breechbolt Stop Screw	47	Hammer
2	Sear Spring	25	Hammer Indicator Spring	48	Firing Pin Securing Pin
3	Washer	26	Trigger Spring	49	Lever
4	Sear	27	Hammer Bushing Screw	50	Forend
5	Sear Pivot Stud	28	Trigger	51	Forend Screw
6	Sear Bracket Assembly	29	Safety Slide Spring and Stop Pins	52	Swivel Screws
7	Safety Slide	30	Trigger Pin	53	Buttplate Screws
8	Safety Button	31	Sear Bracket Pin	54	Buttplate
9	Sear Screw	32	Sear Screw Nut	55	Stock
10	Hammer Indicator	33	Receiver	56	Pistol Grip Cap Screw
11	Dummy Screws	34	Carrier Spindle	57	Pistol Grip Cap
12	Carrier Spindle Head Screw	35	Carrier	58	Stock Bolt
13	Carrier Spindle Support	36	Carrier Spring	59	Stock Bolt Washer
14	Cartridge Guide Pins	37	Carrier Spindle Head	60	Hammer Retractor Spring
15	Cartridge Guide	38	Carrier Spindle Nut	61	Magazine Assembly (Model 99C only)
16	Rear Sight	39	Barrel	62	Magazine Latch Spring (Model 99C only)
17	Rear Sight Step	40	Breechbolt	63	Magazine Latch Pin (Model 99C only)
18	Automatic Cutoff Spring	41	Lever Bushing	64	Magazine Latch (Model 99C only)
19	Automatic Cutoff	42	Extractor Pin	65	Ejector (Model 99C only)
20	Front Sight	43	Extractor	66	Ejector Screw (Model 99C only)
21	Breechbolt Stop	44	Hammer Bushing	67	Filler Block (Model 99C only)
22	Safety Slide Spring	45	Mainspring		
23	Lever Bushing Screw	46	Firing Pin		

Model 99CD Series A Lever-Action Rifle



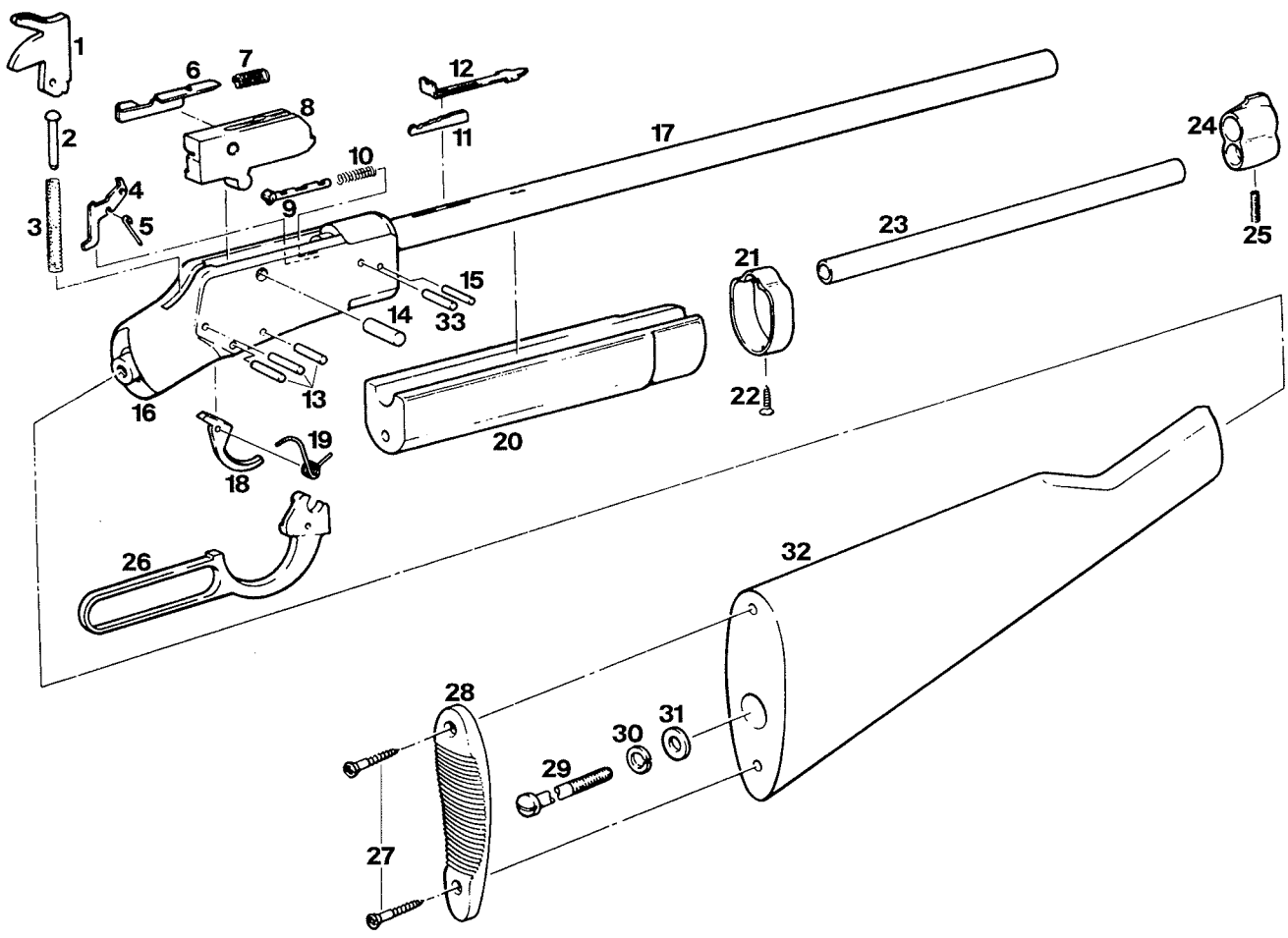
1	Safety Slide	24	Hammer Indicator Spring
2	Safety Slide Spring	25	Hammer Indicator
3	Hammer Assembly	26	Dummy Screws
4	Hammer Retractor Spring	27	Ejector Screw
5	Hammer Bushing Screw	28	Sear Bracket Assembly
6	Extractor	29	Filler Block
7	Breechbolt	30	Ejector
8	Extractor Pin	31	Forend
9	Trigger	32	Forend Screw
10	Trigger Spring	33	Swivel Stud
11	Receiver	34	Barrel
12	Magazine Assembly	35	Rear Sight Assembly and Screws
13	Safety Slide Stop and Spring Pins	36	Front Sight Screw, Short
14	Trigger Pin	37	Front Sight Assembly
15	Sear Bracket Pin	38	Front Sight Screw, Long
16	Magazine Latch Spring	39	Lever
17	Magazine Latch	40	Lever Bushing Screw
18	Magazine Latch Pin	41	Lever Bushing
19	Sear Screw Nut	42	Stock Bolt
20	Breechbolt Stop	43	Stock Bolt Lock Washer
21	Breechbolt Stop Screw	44	Stock Bolt Washer
22	Safety Button	45	Recoil Pad Screws
23	Sear Screw	46	Recoil Pad
		47	Stock Assembly
		48	Barrel Stud

Mark 12 Bolt-Action Rifle



1	Bolt Nut	27	Safety Spring Clip
2	Bolt Body and Handle	28	Steel Ball
3	Mainspring	29	Safety Adjusting Screw
4	Hammer	30	Safety Pin
5	Firing Pin	31	Trigger Housing
6	Extractor, Left	32	Tension Screw Nut
7	Extractor Lock Ring	33	Release Plunger Tension Screw
8	Bolt Head	34	Sear Spring
9	Ejector Loading Platform	35	Loading Platform Screw
10	Plunger	36	Receiver
11	Bolt Lock Plunger Spring	37	Barrel
12	Bolt Lock Plunger	38	Buttplate Screws
13	Firing Pin Spring	39	Buttplate
14	Extractor, Right	40	Swivel Washer
15	Rear Sight Assembly	41	Swivel Loops
16	Front Sight Assembly	42	Swivel Collars
17	Safety Pin Clips	43	Swivel Screw
18	Safety	44	Stock
19	Adjusting Screw Safety Nuts	45	Trigger Guard Screws
20	Trigger Adjusting Screw	46	Trigger Guard
21	Trigger	47	Hand Stop Nut
22	Trigger Pin	48	Floorplate Screw, Rear
23	Trigger Housing Screws	49	Forend Screw
24	Trigger Housing Lock Washers	50	Hand Stop
25	Sear	51	Hand Stop Rail
26	Release Plunger Pin	52	Front Swivel Screw

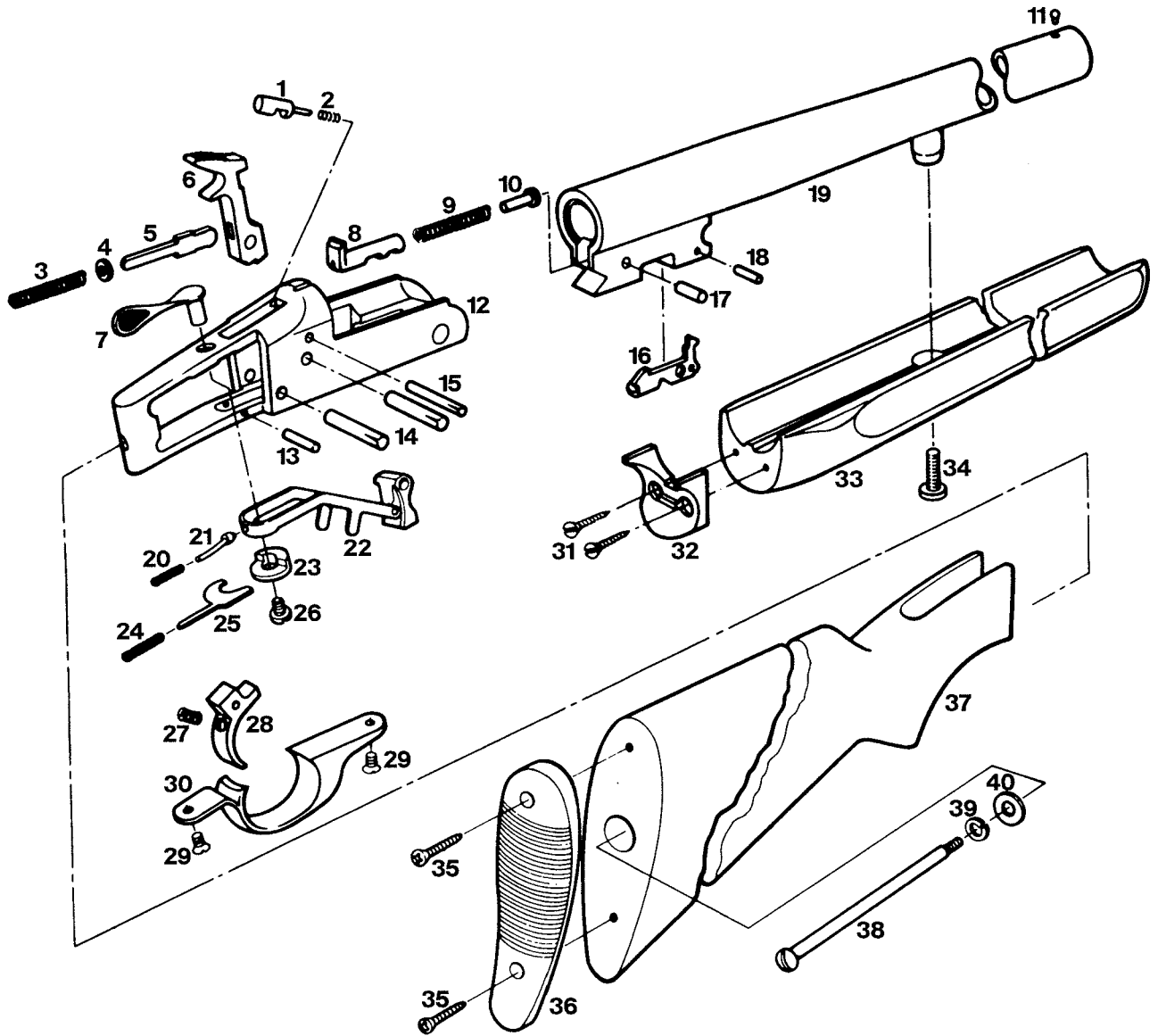
Model 89 Lever-Action Rifle



1	Hammer	18	Trigger
2	Mainspring Plunger	19	Trigger Spring
3	Mainspring	20	Forend
4	Ejector Sear	21	Forend Band
5	Ejector Sear Spring	22	Screw
6	Firing Pin	23	Magazine Tube
7	Firing Pin Spring	24	Front Sight and Barrel Band
8	Breechbolt	25	Barrel Band Screw
9	Ejector	26	Lever
10	Ejector Spring	27	Buttplate Screws
11	Rear Sight Step	28	Buttplate
12	Rear Sight	29	Stock Bolt
13	Hammer and Sear Pins	30	Stock Bolt Lock Washer
14	Joint Pin	31	Stock Bolt Washer
15	Ejector Pin	32	Stock
16	Frame	33	Barrel Retaining Pin
17	Barrel		

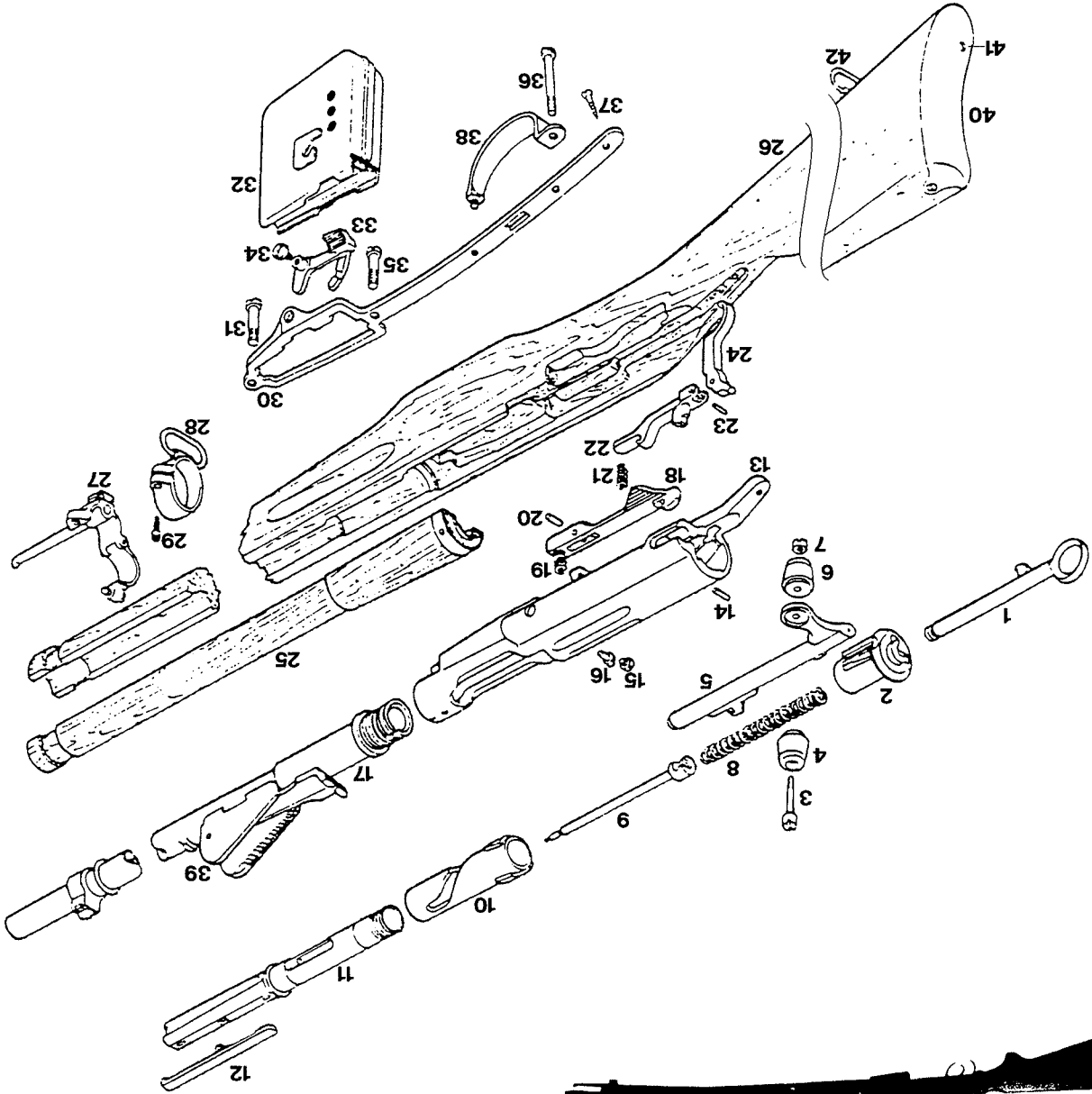
SAVAGE/STEVENS

Model 94C and 94Y Series M Single Shot Shotgun



1	Firing Pin	15	Firing Pin Retaining Pin	29	Trigger Guard Screws
2	Firing Pin Spring	16	Ejector Hook	30	Trigger Guard
3	Mainspring	17	Extractor Stop Pin	31	Forend Iron Head Screws
4	Breechbolt Spring Washer	18	Extractor Lever and Spring Stop Pin	32	Forend Pivot Plate
5	Mainspring Plunger	19	Barrel Assembly	33	Forend
6	Hammer	20	Locking Bolt Spring	34	Forend Screw
7	Top Snap	21	Locking Bolt Plunger	35	Buttplate Screws
8	Extractor	22	Locking Bolt Assembly	36	Buttplate
9	Ejector Spring	23	Top Snap Sleeve	37	Stock Assembly
10	Ejector Starter Pin	24	Top Snap Plunger Spring	38	Stock Bolt
11	Front Sight	25	Top Snap Plunger	39	Stock Bolt Lock Washer
12	Frame	26	Top Snap Screw	40	Stock Bolt Washer
13	Trigger Pin	27	Trigger Spring		
14	Locking Bolt and Hammer Pins	28	Trigger		

Model 1889 and 1911 Straight-Pull Rifle

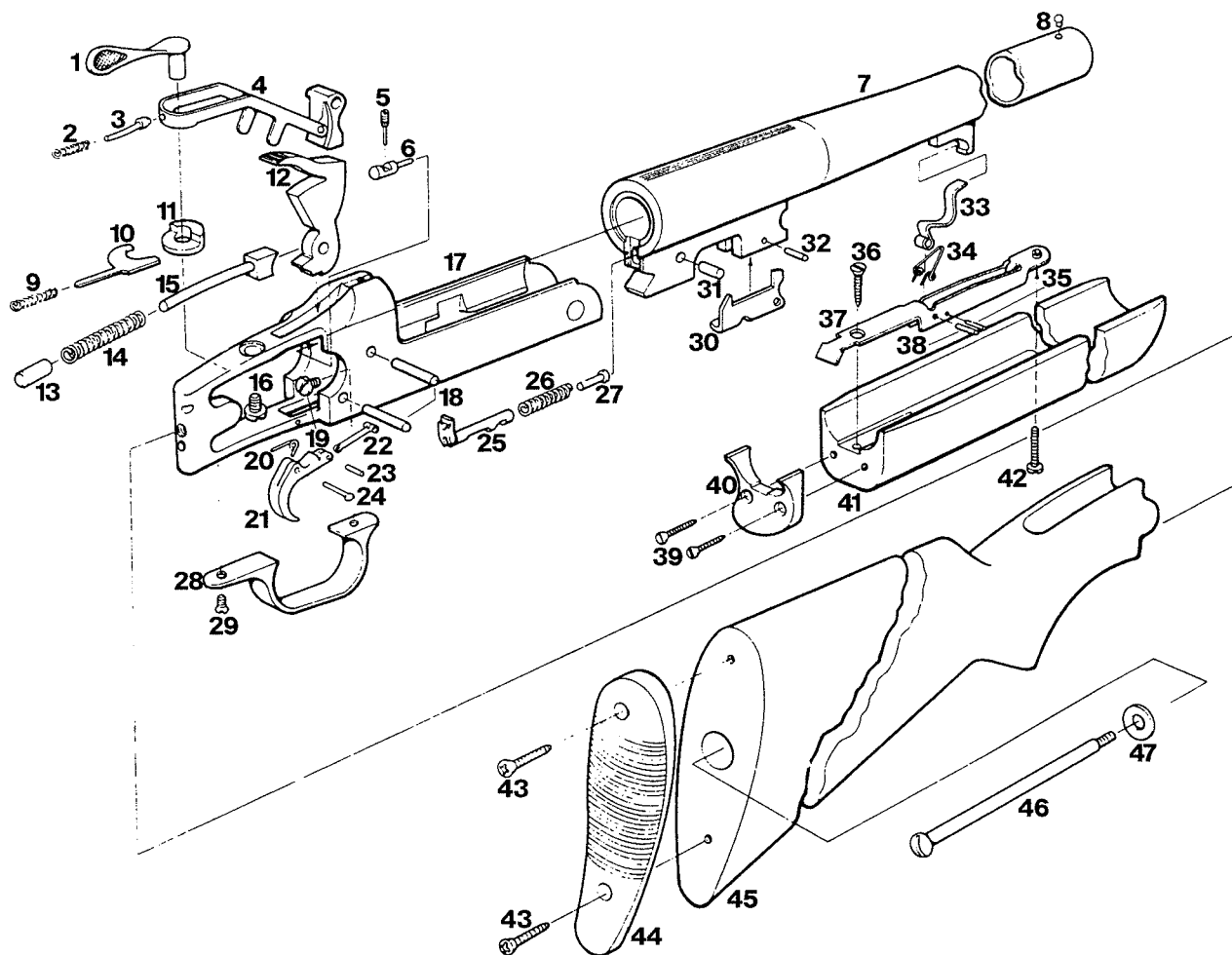


- 1 Cocking Piece
- 2 Bolt Plug
- 3 Bolt Lock Screw
- 4 Upper Bolt Knob
- 5 Bolt Cam Follower Rod
- 6 Lower Bolt Knob
- 7 Knob Nut
- 8 Firing Pin Spring
- 9 Firing Pin
- 10 Bolt Locking Sleeve
- 11 Bolt
- 12 Extractor
- 13 Receiver
- 14 Sear Hinge Pin
- 15 Ejector Lock Screw

- 16 Ejector
- 17 Barrel
- 18 Bolt Stop
- 19 Bolt Stop Spring
- 20 Bolt Stop Pin
- 21 Trigger Spring
- 22 Sear Arm
- 23 Trigger Pin
- 24 Trigger
- 25 Upper Handguard
- 26 Stock
- 27 Front Band Complete
- 28 Rear Band
- 29 Band Screw
- 30 Trigger and Magazine Plate

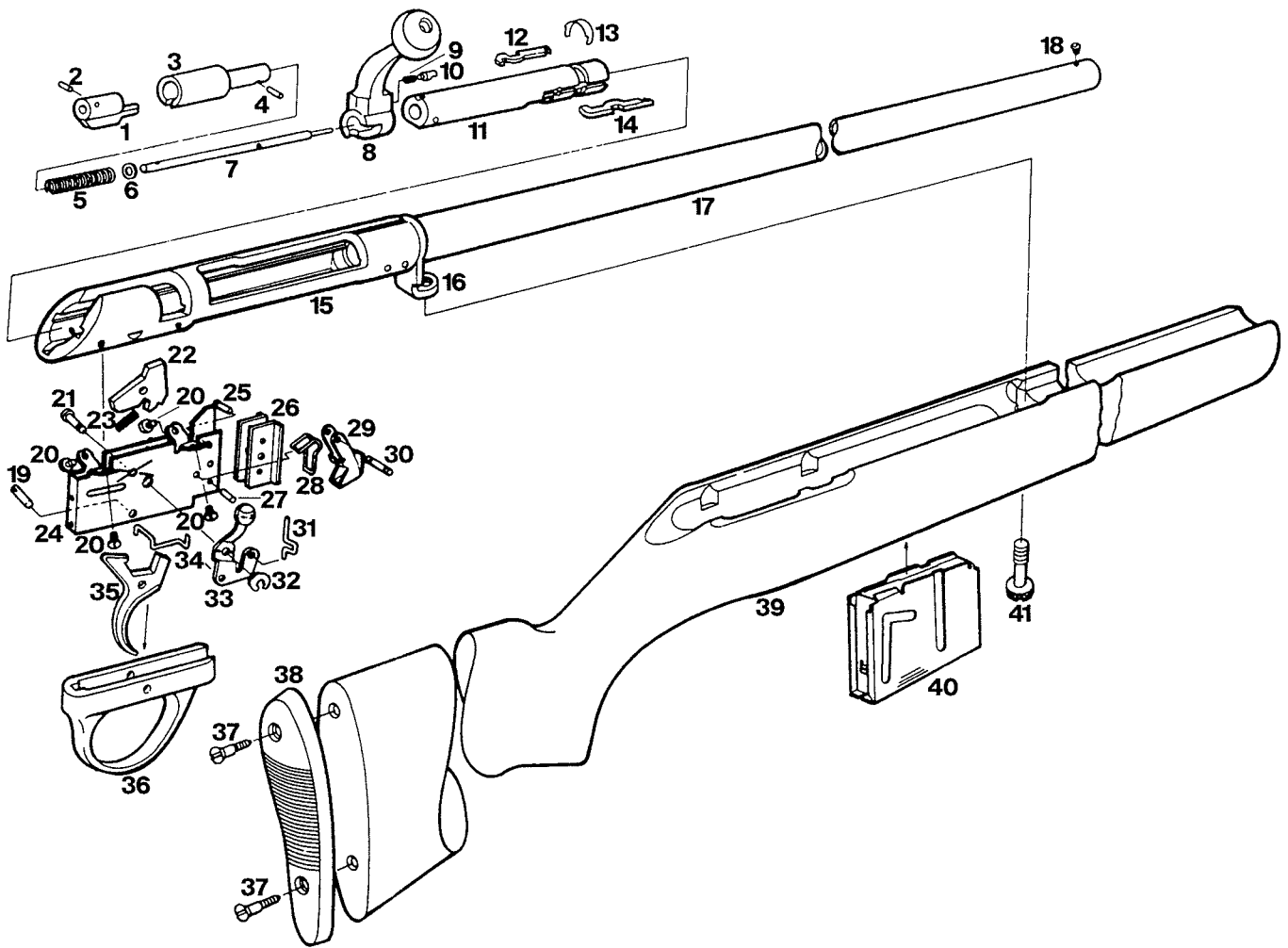
- Parts Not Shown**
- 31 Front Plate Screw
 - 32 Magazine
 - 33 Magazine Cutoff
 - 34 Magazine Cutoff Screw
 - 35 Middle Plate Screw
 - 36 Rear Plate Screw
 - 37 Trigger Plate Screw
 - 38 Trigger Guard
 - 39 Rear Sight Assembly
 - 40 Buttplate
 - 41 Buttplate Screws
 - 42 Rear Swivel

Model 101.10041 Single Shot Shotgun



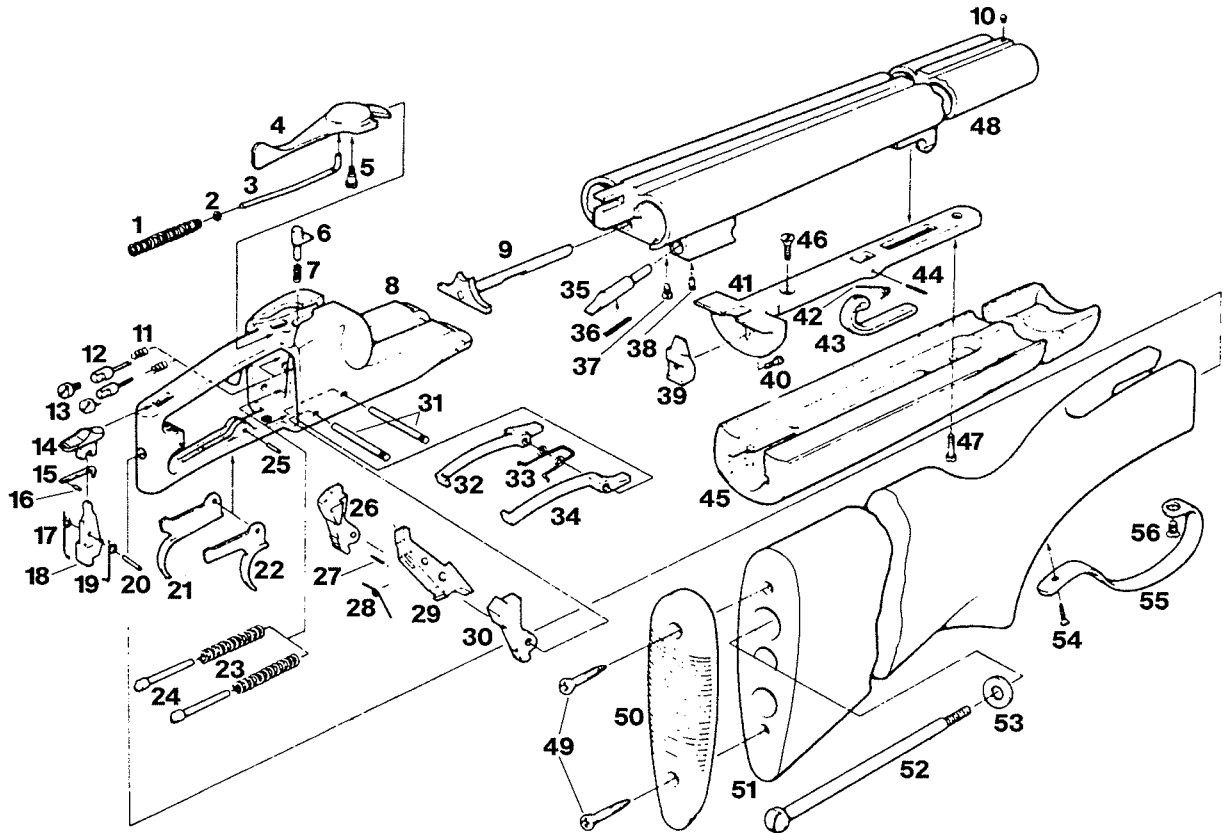
1	Top Snap	24	Trigger Pin
2	Locking Bolt Plunger Spring	25	Extractor
3	Locking Bolt Plunger	26	Ejector Spring
4	Locking Bolt Assembly	27	Ejector Starter Pin
5	Firing Pin Screw	28	Trigger Guard
6	Firing Pin	29	Trigger Guard Screw
7	Barrel Assembly	30	Ejector Hook
8	Front Sight	31	Extractor Stop Pin
9	Top Snap Plunger Spring	32	Extractor Lever Pin
10	Top Snap Plunger	33	Forend Spring
11	Top Snap Sleeve	34	Forend Spring Spring
12	Hammer	35	Forend Spring Spring Pin
13	Mainspring Plunger Seat	36	Forend Spring Housing Screw
14	Mainspring	37	Forend Spring Housing
15	Mainspring Plunger Head Assembly	38	Forend Spring Pin
16	Top Snap Screw	39	Forend Iron Head Screws
17	Frame	40	Forend Iron Head
18	Hammer and Locking Bolt Pins	41	Forend Wood
19	Trigger Guard Screw	42	Forend Screw
20	Trigger Spring	43	Buttplate Screws
21	Trigger	44	Buttplate
22	Hammer Stop Link Assembly	45	Stock Assembly
23	Link Pin	46	Stock Bolt
		47	Stock Bolt Washer

Model 101.1381 Bolt-Action Shotgun



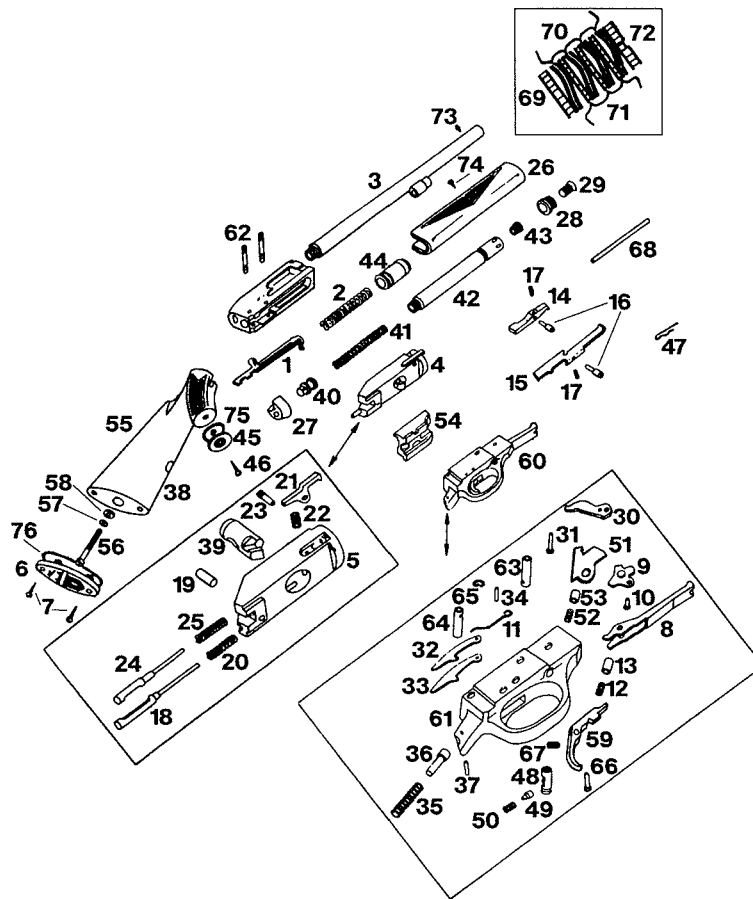
- | | | | |
|----|-------------------------------|----|---------------------------------------|
| 1 | Cocking Piece | 23 | Trigger Spring |
| 2 | Cocking Piece Pin | 24 | Trigger Bracket |
| 3 | Breechbolt | 25 | Magazine Retainer Plate Pin,
Upper |
| 4 | Bolt Head Retaining Pin | 26 | Magazine Retainer Plate |
| 5 | Mainspring | 27 | Magazine Retainer Plate Pin,
Lower |
| 6 | Mainspring Washer | 28 | Magazine Latch Spring |
| 7 | Firing Pin | 29 | Magazine Latch |
| 8 | Bolt Handle | 30 | Magazine Latch Pin |
| 9 | Bolt Handle Plunger Spring | 31 | Bolt Head Stop Plunger |
| 10 | Bolt Handle Detent Plunger | 32 | Sear Pin Ring |
| 11 | Bolt Head | 33 | Safety |
| 12 | Extractor, Left | 34 | Safety-Lever |
| 13 | Extractor Spring | 35 | Trigger |
| 14 | Extractor, Right | 36 | Trigger Guard |
| 15 | Receiver | 37 | Buttplate Screws |
| 16 | Recoil Lug | 38 | Buttplate |
| 17 | Barrel | 39 | Stock Assembly |
| 18 | Front Sight | 40 | Magazine Assembly |
| 19 | Trigger and Trigger Guard Pin | 41 | Takedown Screw |
| 20 | Trigger Bracket Screws | | |
| 21 | Sear Pin | | |
| 22 | Sear | | |

Model 101.512220 and 101.512230 Side-by-Side Shotgun



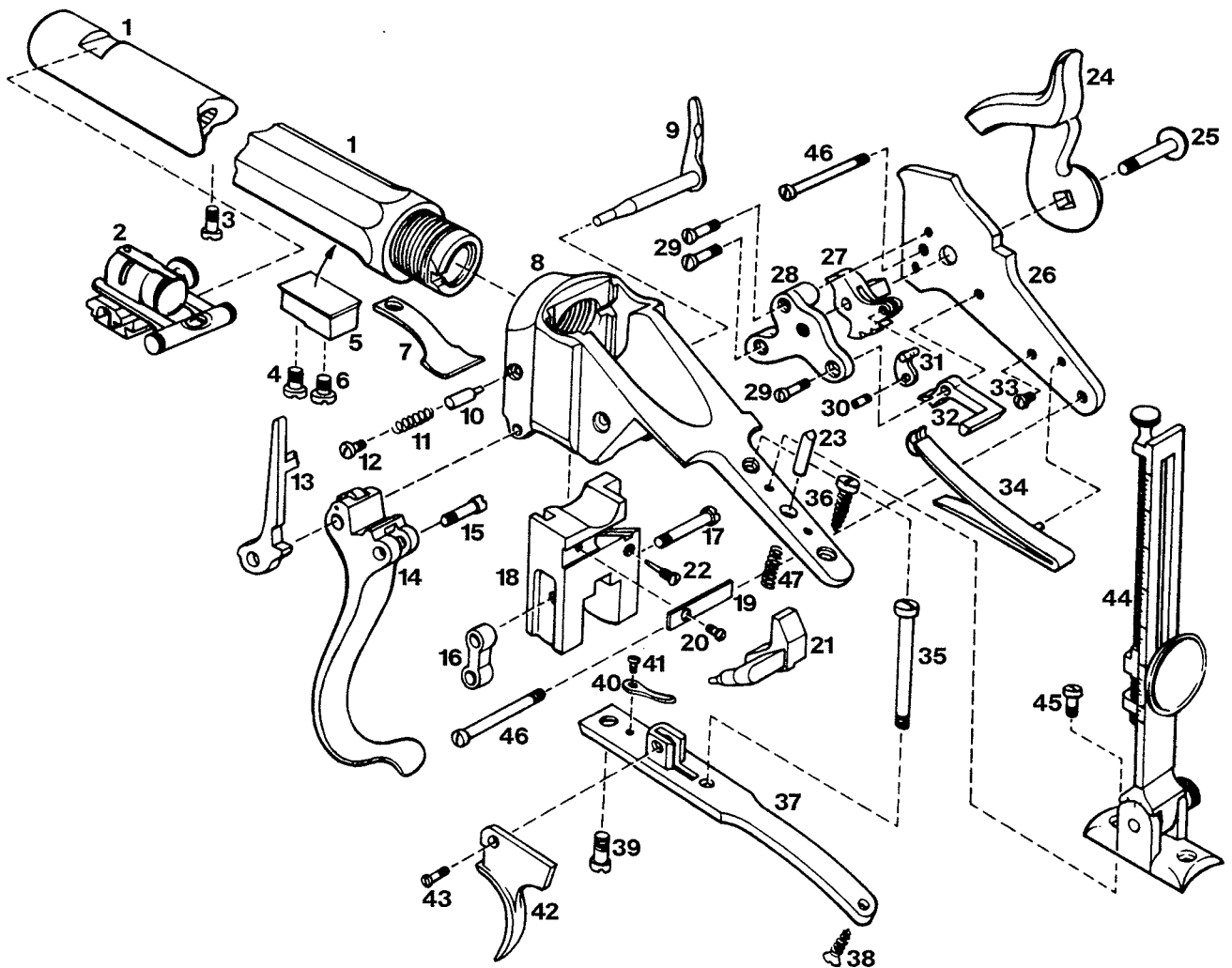
1	Top Snap Plunger Spring	30	Hammer, Right
2	Top Snap Plunger Collar	31	Sear and Cocking Lever Pins
3	Top Snap Plunger	32	Sear, Left
4	Top Snap	33	Sear Spring
5	Top Snap Screw	34	Sear, Right
6	Top Snap Trip	35	Cocking Plunger
7	Top Snap Trip Spring	36	Cocking Plunger Spring
8	Frame	37	Extractor Screw
9	Extractor Plate	38	Cocking Plunger Retaining Screw
10	Front Sight	39	Ejector
11	Firing Pin Springs	40	Ejector Screw
12	Firing Pins	41	Forend Iron
13	Firing Pin Retaining Screws	42	Forend Spring Spring
14	Safety Button	43	Forend Spring
15	Safety Spring	44	Forend Spring Pin
16	Safety Plunger	45	Forend
17	Trigger Spring, Left	46	Forend Screw, Rear
18	Safety-Lever	47	Forend Screw, Front
19	Trigger Spring, Right	48	Barrel
20	Safety-Lever Pin	49	Buttplate Screws
21	Trigger, Left	50	Buttplate
22	Trigger, Right	51	Stock Assembly
23	Mainsprings	52	Stock Bolt
24	Mainspring Plungers	53	Stock Bolt Washer
25	Trigger Pin	54	Trigger Guard Screw, Rear
26	Hammer, Left	55	Trigger Guard
27	Cocking Lever Spring Pin	56	Trigger Guard Screw, Front
28	Cocking Lever Spring		
29	Cocking Lever		

Model 66 Autoloading Shotgun



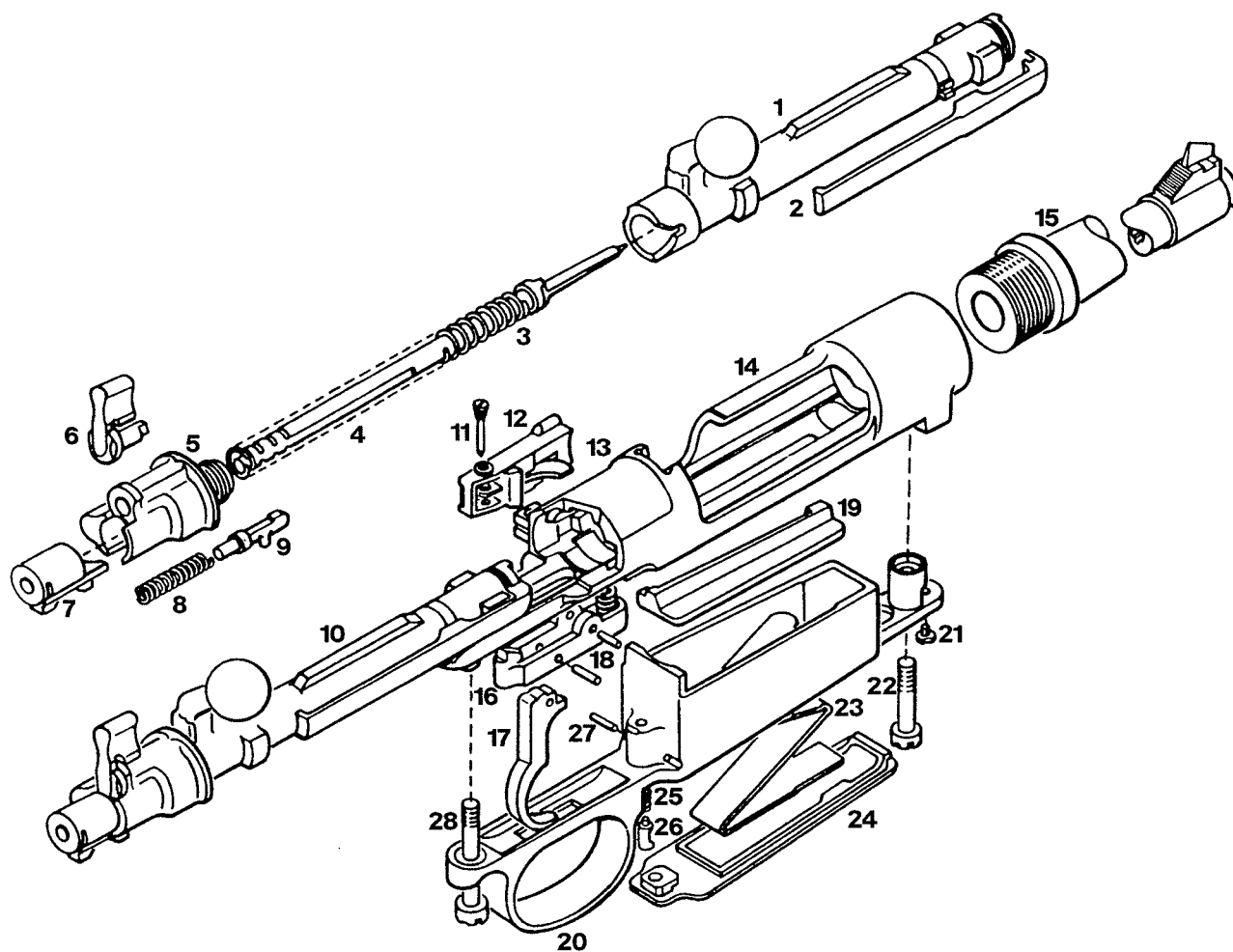
1	Action Bar	25	Firing Pin Retracting Spring	52	Trigger Spring
2	Action Spring	26	Forehand Assembly	53	Trigger Spring Plunger
3	Barrel and Cylinder Assembly	27	Forehand Base	54	Slide
4	Bolt Assembly	28	Forehand Cap	55	Stock Assembly
5	Bolt	29	Forehand Cap Screw	56	Stock Bolt
6	Buttplate	30	Hammer	57	Stock Bolt Lock Washer
7	Buttplate Screws	31	Hammer Hinge Pin	58	Stock Bolt Washer
8	Cartridge Lifter	32	Hammer Strut, Right	59	Trigger
9	Cartridge Lifter Actuator Assembly	33	Hammer Strut, Left	60	Trigger Guard Assembly
10	Cartridge Lifter Actuator Hinge Pin	34	Hammer Strut Pin	61	Trigger Guard
11	Cartridge Lifter Actuator Spring	35	Hammer Spring	62	Trigger Guard Retaining Pins
12	Cartridge Lifter Spring	36	Hammer Spring Guide	63	Trigger Guard Retaining Pin Bushing, Front
13	Cartridge Lifter Spring Plunger	37	Hammer Spring Retaining Pin	64	Trigger Guard Retaining Pin Bushing, Rear
14	Cartridge Stop, Right	38	Initial Plate	65	Guard Bushing Retaining Spring
15	Cartridge Stop, Left	39	Locking Pin	66	Trigger Hinge Pin
16	Cartridge Stop Pins	40	Magazine Follower	67	Escapement Hook Spring
17	Cartridge Stop Springs	41	Magazine Spring	68	Wood Plug
18	Ejector	42	Magazine Tube	69	Cylinder Washer
19	Ejector and Firing Pin Retaining Pin	43	Magazine Tube Cap	70	Cylinder Wavy Springs
20	Ejector Retracting Spring	44	Piston	71	Cylinder Spacer Washers
21	Extractor, Right	45	Pistol Grip Cap	72	Cylinder Nut
22	Extractor Spring, Right	46	Pistol Grip Screw	73	Front Sight
23	Extractor Pivot Pin	47	Cartridge Stop Pin Return Clips	74	Drive Screw
24	Firing Pin	48	Safety Button	75	Pistol Grip Cap Trim
		49	Safety Spring Plunger	76	Buttplate Trim
		50	Safety Spring		
		51	Escapement Hook		

Model 1874 Creedmoore Rifle



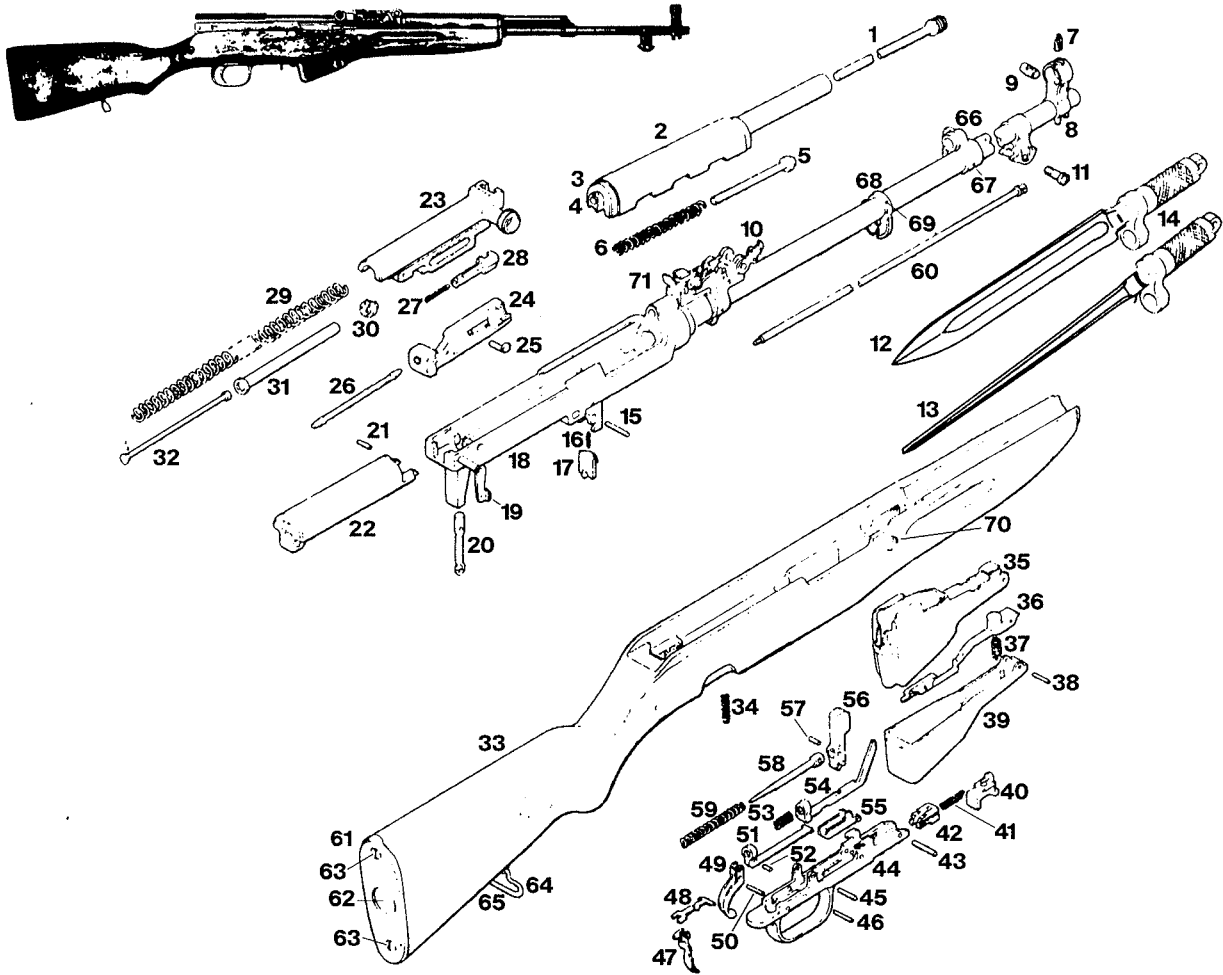
1	Barrel	19	Firing Pin Plate	37	Guard Plate
2	Front Sight Assembly	20	Firing Pin Plate Screw	38	Guard Plate Stock Screw
3	Front Forend Screw	21	Firing Pin	39	Guard Plate Receiver Screw
4	Rear Forend Screw	22	Firing Pin Screw	40	Trigger Spring
5	Barrel Stud	23	Rear Sight Detent	41	Trigger Spring Screw
6	Lever Spring Screw	24	Hammer	42	Trigger
7	Lever Spring	25	Tumbler Screw	43	Trigger Screw
8	Receiver	26	Lock Plate	44	Vernier Rear Sight Assembly
9	Lever Pin	27	Tumbler	45	Rear Sight Mounting Screws
10	Lever Pin Retainer Plunger	28	Bridle	46	Lockplate Screws
11	Lever Pin Retainer Spring	29	Bridle Screws	47	Rear Sight Detent Spring
12	Lever Pin Retainer Spring Screw	30	Stirrup Screw		
13	Extractor	31	Stirrup	Parts Not Shown	
14	Lever	32	Sear	Forend	
15	Lever Toggle Link Screw	33	Mainspring Screw	Buttstock	
16	Lever Toggle Link	34	Mainspring	Buttplate	
17	Upper Toggle Link Screw	35	Front Guard Plate Screw	Buttplate Screws	
18	Breechblock	36	Rear Guard Plate Screw	Lockplate Screw Washer	

Mauser Bolt-Action Rifle



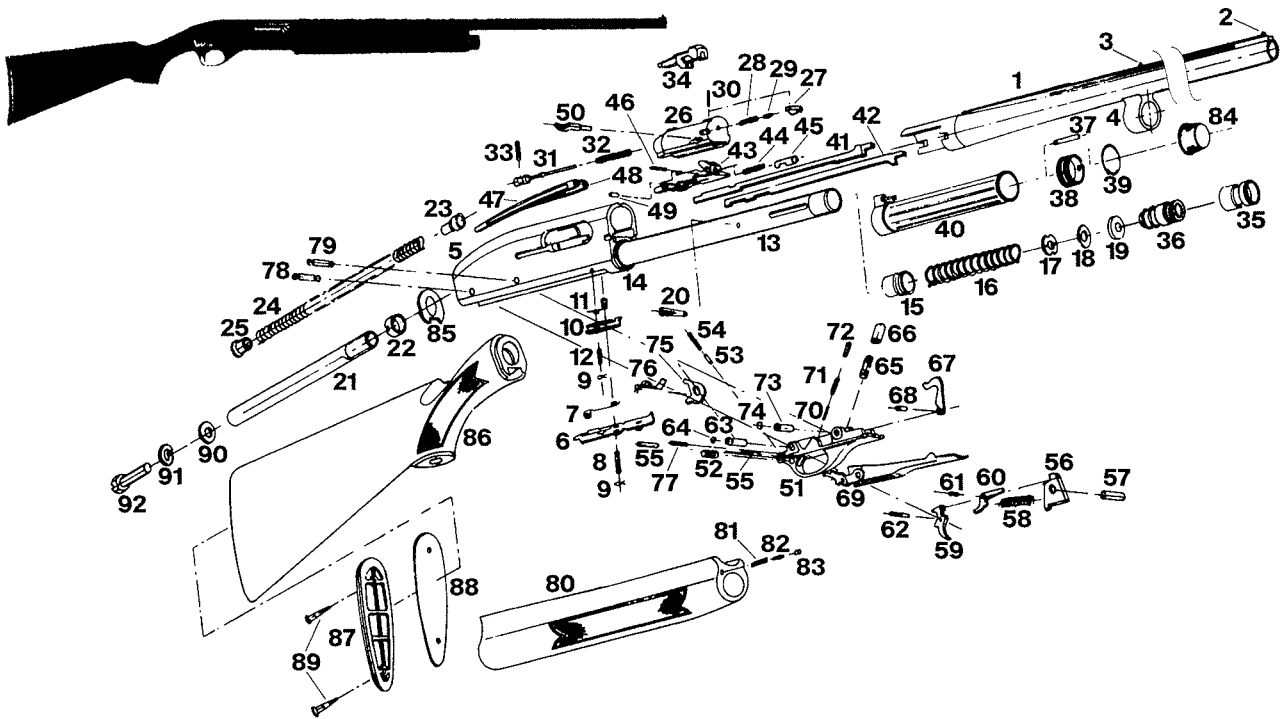
- | | | | |
|----|-------------------------|----|-------------------------|
| 1 | Bolt Body | 15 | Barrel |
| 2 | Extractor | 16 | Sear |
| 3 | Firing Pin Spring | 17 | Trigger |
| 4 | Firing Pin | 18 | Sear and Trigger Pins |
| 5 | Bolt Sleeve | 19 | Magazine Follower |
| 6 | Safety Catch | 20 | Trigger Guard |
| 7 | Cocking Piece | 21 | Lock Screw |
| 8 | Bolt Sleeve Stop Spring | 22 | Front Guard Screw |
| 9 | Bolt Sleeve Stop | 23 | Magazine Spring |
| 10 | Bolt Assembly | 24 | Floorplate |
| 11 | Bolt Stop Screw | 25 | Floorplate Latch Spring |
| 12 | Bolt Stop and Spring | 26 | Floorplate Latch |
| 13 | Ejector | 27 | Floorplate Latch Pin |
| 14 | Receiver | 28 | Rear Guard Screw |

7.62x39mm Autoloading Carbine



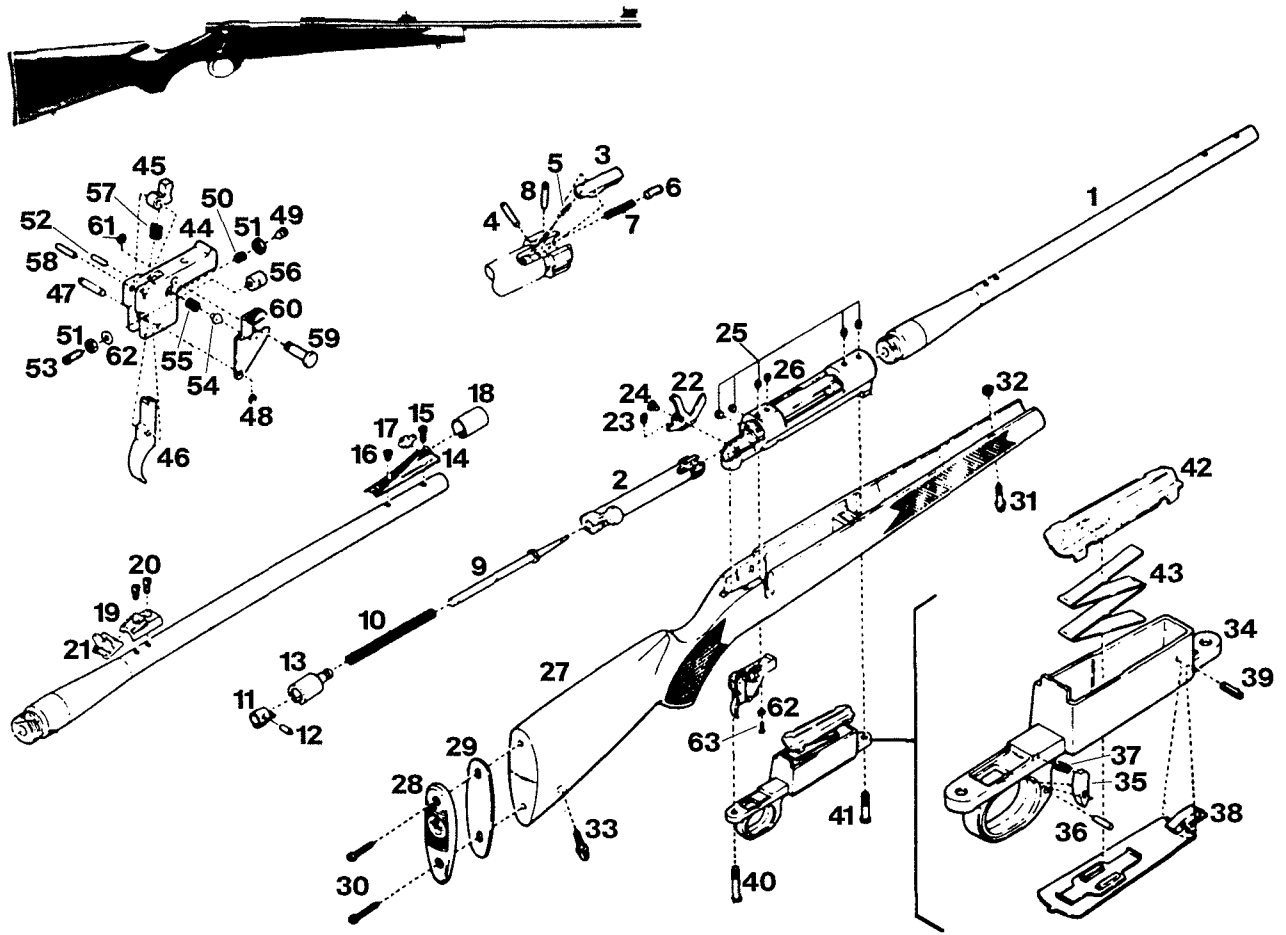
1	Piston	25	Firing Pin Retainer	51	Trigger Bar
2	Handguard and Gas Cylinder	26	Firing Pin	52	Trigger Bar Pin
3	Handguard Ferrule	27	Extractor Spring	53	Trigger Spring
4	Handguard Ferrule Pin	28	Extractor	54	Disconnecter
5	Piston Extension	29	Recoil Spring	55	Rebound Disconnecter
6	Piston Return Spring	30	Spring Retainer	56	Hammer
7	Front Sight	31	Large Spring Guide	57	Hammer Strut Pin
8	Front Sight Base and Bayonet Lug	32	Small Spring Guide	58	Hammer Strut
9	Front Sight Seat	33	Stock	59	Hammer Spring
10	Handguard Catch	34	Trigger Guard Spring	60	Cleaning Rod
11	Bayonet Screw	35	Magazine	61	Buttplate Assembly
12	Bayonet, Blade	36	Magazine Follower	62	Buttplate Trap Door Assembly
13	Bayonet, Spike	37	Magazine Follower Spring	63	Buttplate Screws
14	Bayonet Handle	38	Hinge Pin	64	Rear Swivel
15	Hold-Open Latch Pin	39	Magazine Cover	65	Rear Swivel Screws
16	Hold-Open Latch Spring	40	Cover Latch	66	Gas Cylinder Front Bracket
17	Hold-Open Latch	41	Latch Spring and Sear Spring	67	Gas Cylinder Bracket Pin
18	Receiver and Barrel Assembly	42	Sear	68	Stock Ferrule
19	Takedown Latch	43	Latch Stop Pin	69	Stock Ferrule Pin
20	Trigger Guard Latch	44	Trigger Guard	70	Recoil Lug Assembly
21	Latch Pin	45	Disconnecter Hinge Pin	71	Rear Sight Assembly
22	Rear Housing	46	Trigger Pin		
23	Bolt Carrier	47	Safety Catch	Parts Not Shown	
24	Bolt, Stripped	48	Safety Catch Spring		Front Sight Base Pin, Front
		49	Trigger		Front Sight Base Pin, Rear
		50	Safety Catch Pin		Bayonet Spring

Model 1000 and Mossberg Super 1000 Autoloading Shotgun



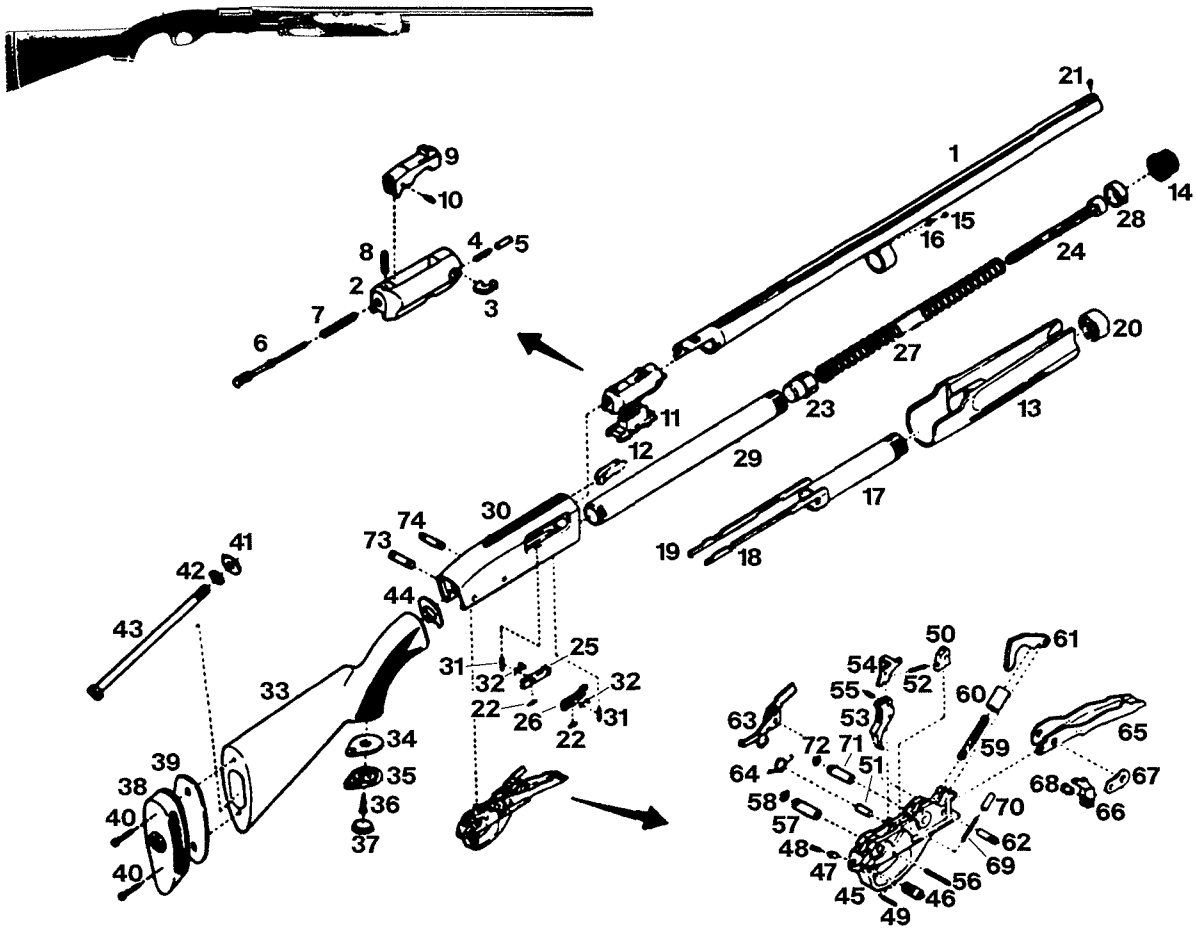
1	Barrel Assembly	35	Pressure Compensator Valve	67	Hammer
2	Front Sight	36	Piston	68	Hammer Pin
3	Middle Sight	37	Piston Pin	69	Carrier Assembly
4	Barrel Ring Guide	38	Piston Connector Ring	70	Carrier Spring Guide Pin
5	Receiver	39	Piston Connector Ring Spring	71	Carrier Spring
6	Carrier Latch Assembly	40	Action Bar Sleeve Assembly	72	Carrier Spring Sleeve
7	Latch Spring	41	Action Bar, Right	73	Trigger Plate Pin Bushing, Small
8	Latch Pin	42	Action Bar, Left	74	Trigger Plate Pin Stopper
9	Latch Pin Stopper Springs	43	Breechbolt Base		Spring, Small
10	Magazine Shell Stopper Plate	44	Plunger Spring	75	Auto Safety
11	Shell Stopper Plate Spring	45	Plunger	76	Auto Safety Spring
12	Shell Stopper Plate Pin	46	Plunger Stopper Pin	77	Auto Safety Stopper Pin
13	Magazine Tube	47	Link, Right	78	Trigger Plate Pin, Large
14	Magazine Tube Nut	48	Link, Left	79	Trigger Plate Pin, Small
15	Magazine Follower	49	Link Pin	80	Forend Assembly
16	Magazine Spring	50	Operating Handle	81	Forend Cap Spring
17	Magazine Spring Retainer Washer	51	Trigger Plate	82	Forend Cap Spring Plunger
18	Shock Absorber Washer	52	Safety Button	83	Forend Cap Pin
19	Piston Shock Absorber	53	Safety Button Spring Sleeve	84	Forend Cap
20	Capacity Reducing Pin	54	Safety Button Spring	85	Stock Spacer Plate
21	Action Spring Tube	55	Safety Button Spring Stopper	86	Stock Assembly
22	Action Spring Tube Nut		Pins	87	Buttplate
23	Action Spring Guide	56	Sear	88	Buttplate Spacer
24	Action Spring	57	Sear Pin	89	Buttplate Screws
25	Action Spring Retainer Screw	58	Sear Spring	90	Stock Retainer Washer
26	Breechbolt	59	Trigger	91	Stock Retainer Spring Washer
27	Extractor	60	Trigger Connector Plate	92	Stock Retainer Bolt
28	Extractor Spring	61	Trigger Connector Plate Pin		
29	Extractor Spring Plunger	62	Trigger Pin	Parts Not Shown	
30	Extractor Pin	63	Trigger Plate Pin Bushing, Large	Ejector	
31	Firing Pin	64	Trigger Plate Pin Stopper	Carrier	
32	Firing Pin Spring		Spring, Large	Carrier Dog	
33	Firing Pin Stopper Pin	65	Hammer Spring	Carrier Dog Washer	
34	Locking Block	66	Hammer Spring Sleeve	Carrier Dog Pin	

Model 1500 Deluxe Bolt-Action Rifle



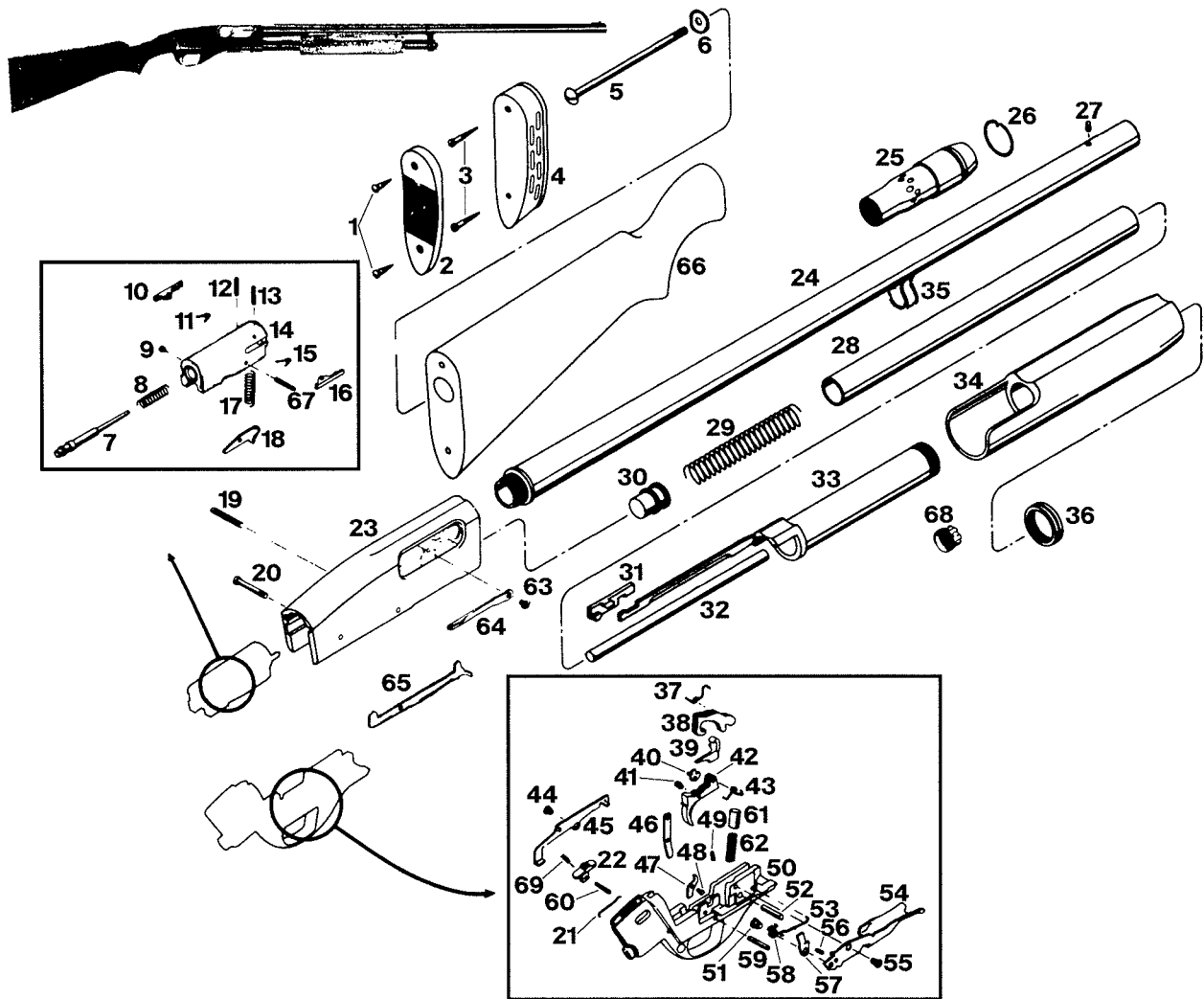
1	Barrel	23	Bolt Stop Spring	45	Sear
2	Bolt Body	24	Bolt Stop Screw	46	Trigger
3	Extractor	25	Receiver Plug Screws, Long	47	Trigger Pin
4	Extractor Pin	26	Receiver Plug Screw, Short	48	Retaining Ring Trigger Pin
5	Extractor Spring	27	Stock	49	Trigger Adjusting Screw, Front
6	Ejector	28	Buttplate	50	Trigger Spring
7	Ejector Spring	29	Buttplate White Spacer	51	Lock Nuts
8	Ejector Pin	30	Buttplate Screws	52	Sear Pin
9	Firing Pin	31	Front Swivel Screw	53	Trigger Adjusting Screw, Rear
10	Mainspring	32	Front Swivel Nut	54	Safety Plunger
11	Cocking Piece	33	Rear Swivel Screw	55	Safety Plunger Spring
12	Firing Pin Retaining Pin	34	Trigger Guard	56	Block
13	Bolt Sleeve	35	Floorplate Catch	57	Sear Spring
14	Front Sight Ramp	36	Floorplate Catch Pin	58	Sear Stop Pin
15	Front Sight Screw, Large	37	Floorplate Catch Spring	59	Safety Guide Pin
16	Front Sight Screw, Small	38	Floorplate	60	Safety
17	Front Sight	39	Floorplate Pin	61	Retaining Ring and Safety Guide Pin
18	Front Sight Hood	40	Rear Guard Screw	62	Washers
19	Rear Sight Base	41	Front Guard Screw	63	Trigger Housing Screw
20	Rear Sight Base Screws	42	Magazine Follower		
21	Rear Sight Blade	43	Magazine Spring		
22	Bolt Stop	44	Trigger Housing		

Model 3000 Slide-Action Shotgun



1	Barrel	27	Magazine Spring	52	Sear Spring
2	Breechbolt	28	Magazine Spring Retainer	53	Trigger
3	Extractor	29	Magazine Tube	54	Trigger Connector Plate
4	Extractor Spring	30	Receiver	55	Trigger Connector Plate Pin
5	Extractor Spring Plunger	31	Shell Stopper Pins	56	Trigger Pin
6	Firing Pin	32	Shell Stopper Plate Springs	57	Trigger Plate Pin Bushing, Large
7	Firing Pin Spring	33	Stock	58	Trigger Plate Pin Stopper Spring, Large
8	Firing Pin Retaining Pin	34	Grip Cap Spacer	59	Hammer Spring
9	Locking Block	35	Grip Cap	60	Hammer Spring Sleeve
10	Locking Block Stud	36	Grip Cap Screw	61	Hammer
11	Breechbolt Base	37	Grip Cap Inlay	62	Hammer Pin
12	Ejector	38	Recoil Pad	63	Action Bar Lock
13	Forend Assembly	39	Recoil Pad Spacer	64	Action Bar Lock Spring
14	Forend Cap	40	Recoil Pad Screws	65	Carrier
15	Forend Cap Ball	41	Stock Retainer Washer	66	Carrier Dog
16	Forend Cap Spring	42	Stock Retainer Spring Washer	67	Carrier Dog Washer
17	Forend Tube	43	Stock Retainer Bolt	68	Carrier Dog Pin
18	Action Bar, Right	44	Stock Spacer Plate	69	Carrier Spring
19	Action Bar, Left	45	Trigger Plate	70	Carrier Spring Sleeve
20	Forend Tube Nut	46	Safety Button	71	Trigger Plate Pin Bushing, Small
21	Front Sight	47	Safety Button Spring Sleeve	72	Trigger Plate Pin Bushing Spring, Small
22	Latch Pin Stopper Springs	48	Safety Button Spring	73	Trigger Plate Pin, Large
23	Magazine Follower	49	Safety Button Spring Stopper Pin	74	Trigger Plate Pin, Small
24	Magazine Plug	50	Sear		
25	Shell Stopper Plate, Left	51	Sear Pin		
26	Shell Stopper Plate, Right				

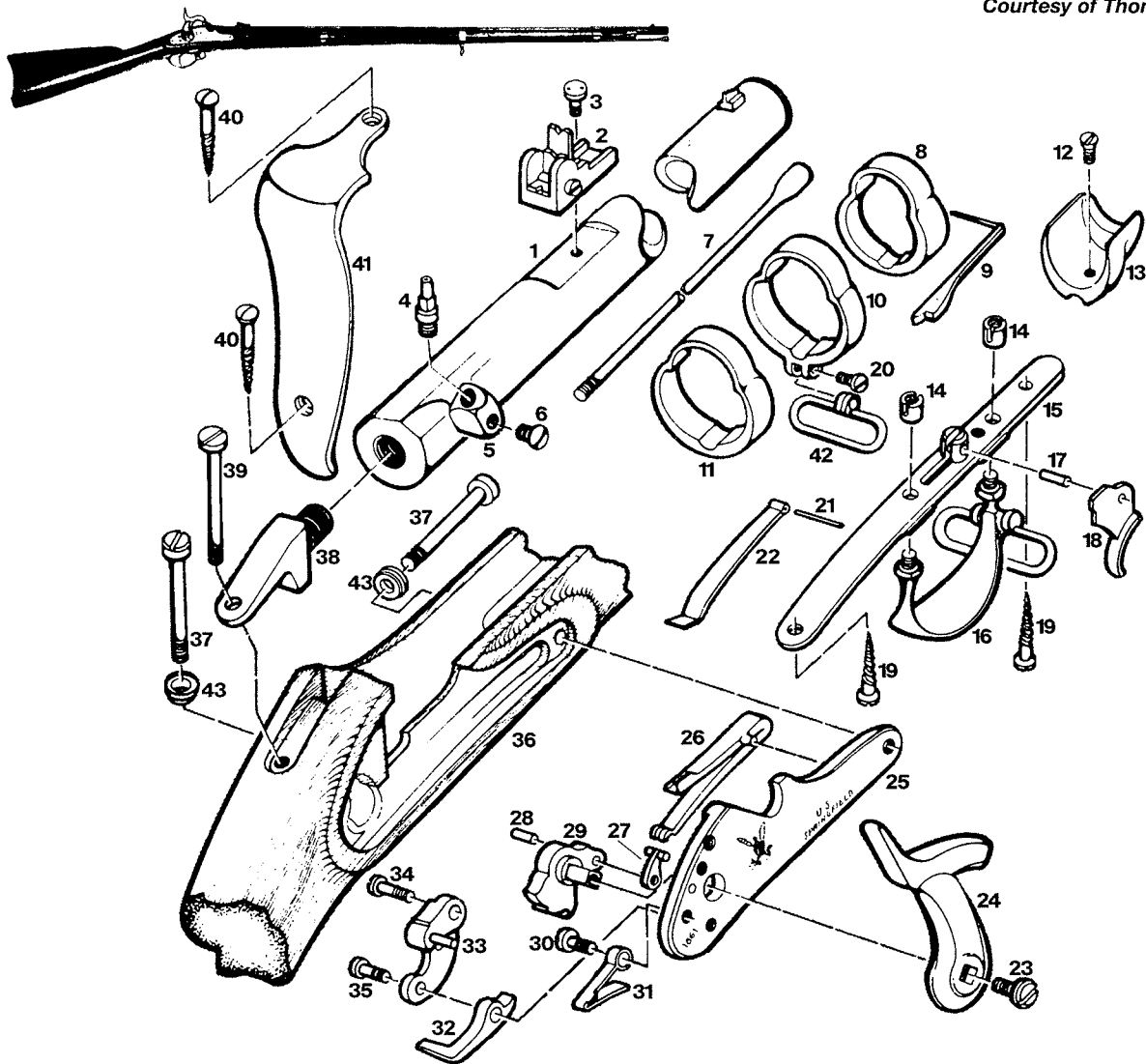
Model 916 Slide-Action Shotgun



1	Buttplate Screws	24	Barrel	47	Detent
2	Buttplate	25	Vary Choke	48	Detent Pin
3	Recoil Pad Screws	26	Choke Click Spring	49	Release Lever Booster Spring
4	Rubber Recoil Pad	27	Front Sight	50	Trigger Plate
5	Stock Bolt	28	Magazine Tube	51	Lifter Pawl Stud
6	Stock Bolt Washer	29	Magazine Spring	52	Hammer Pin
7	Firing Pin	30	Magazine Spring Follower	53	Lifter Spring
8	Firing Pin Spring	31	Bolt Slide	54	Lifter
9	Firing Pin Retainer Screw	32	Wood Plug	55	Pivot Screw Lifter
10	Extractor, Left	33	Handle Bar Tube Assembly	56	Lifter Pawl Spring Post
11	Extractor Spring, Left	34	Forend	57	Lifter Pawl
12	Extractor Pin, Left	35	Magazine Mount	58	Lifter Pawl Spring
13	Extractor Pin, Right	36	Forend Retainer, Front	59	Trigger Pin
14	Breechbolt	37	Release Lever Actuator Spring	60	Top Safety Lever Pivot Pin
15	Extractor Spring, Right	38	Hammer	61	Mainspring Follower
16	Extractor, Right	39	Sear	62	Mainspring
17	Cartridge Stop Spring	40	Detent Trip	63	Ejector Screw
18	Cartridge Stop	41	Detent Trip Pin	64	Ejector
19	Trigger Plate Pin	42	Trigger	65	Cartridge Cutoff
20	Trigger Plate Screw	43	Trigger Spring	66	Stock
21	Safety Button Spring	44	Pivot Screw Release	67	Cartridge Stop Pin
22	Top Safety Button	45	Release Lever	68	Magazine Cap
23	Receiver	46	Top Safety Lever	69	Safety Button Pin

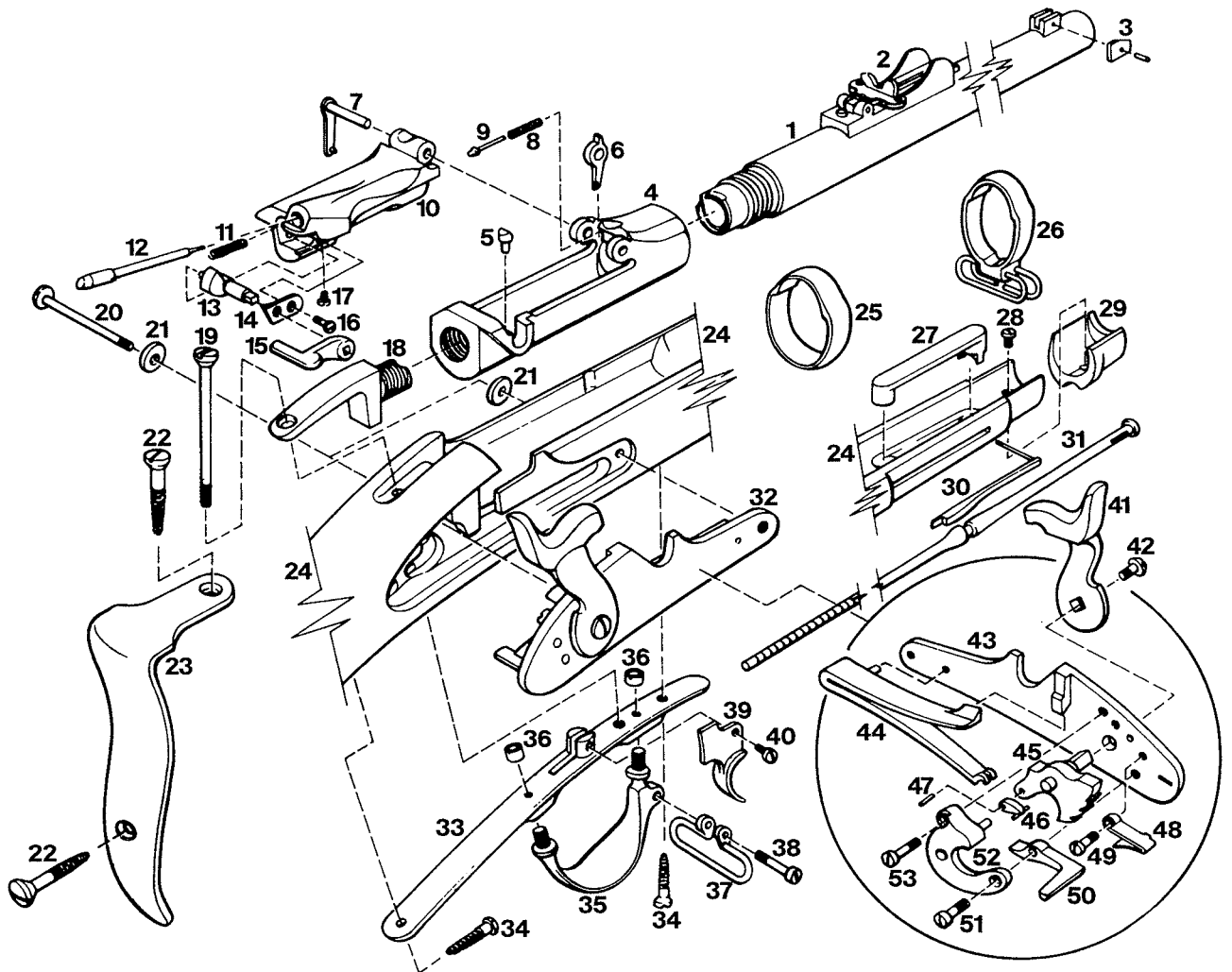
Model 1861 Musket

Courtesy of Thomas E. Wessel



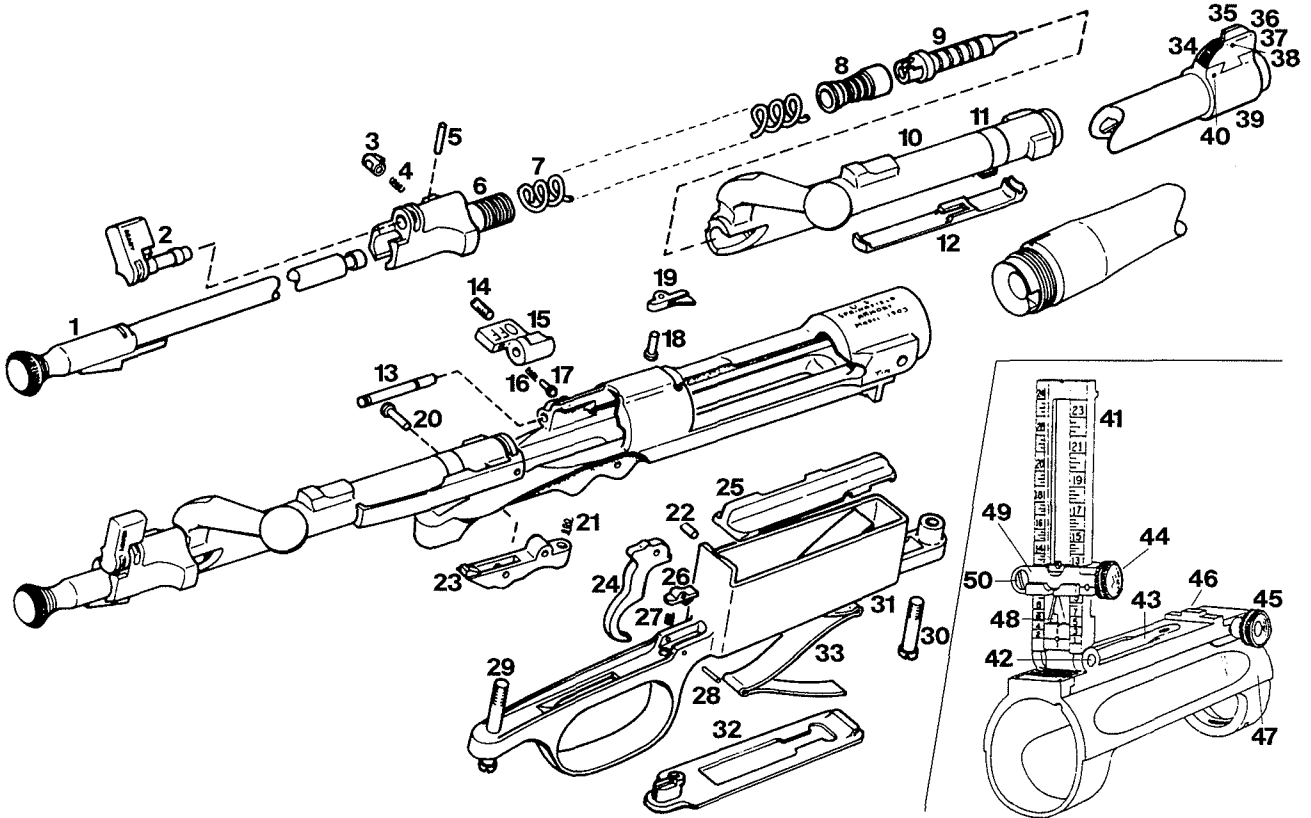
1	Barrel	23	Hammer Screw
2	Rear Sight	24	Hammer
3	Rear Sight Base Screw	25	Lockplate
4	Cone	26	Mainspring
5	Cone Seat	27	Mainspring Swivel
6	Cone Seat Screw	28	Tumbler Pin
7	Ramrod	29	Tumbler
8	Upper Band	30	Sear Spring Screw
9	Band Springs	31	Sear Spring
10	Middle Band	32	Sear
11	Lower Band	33	Bridge
12	Tip Screw	34	Bridge Screw
13	Tip	35	Sear Screw
14	Guard Nuts	36	Stock
15	Guard Plate	37	Side Screws
16	Guard Bow	38	Breech Screw
17	Trigger Pin	39	Tang Screw
18	Trigger	40	Buttplate Screws
19	Guard Plate Screws	41	Buttplate
20	Swivel Screw	42	Front Swivel
21	Rod Spring Pin	43	Side Screw Washers
22	Rod Spring		

Model 1873 Rifle



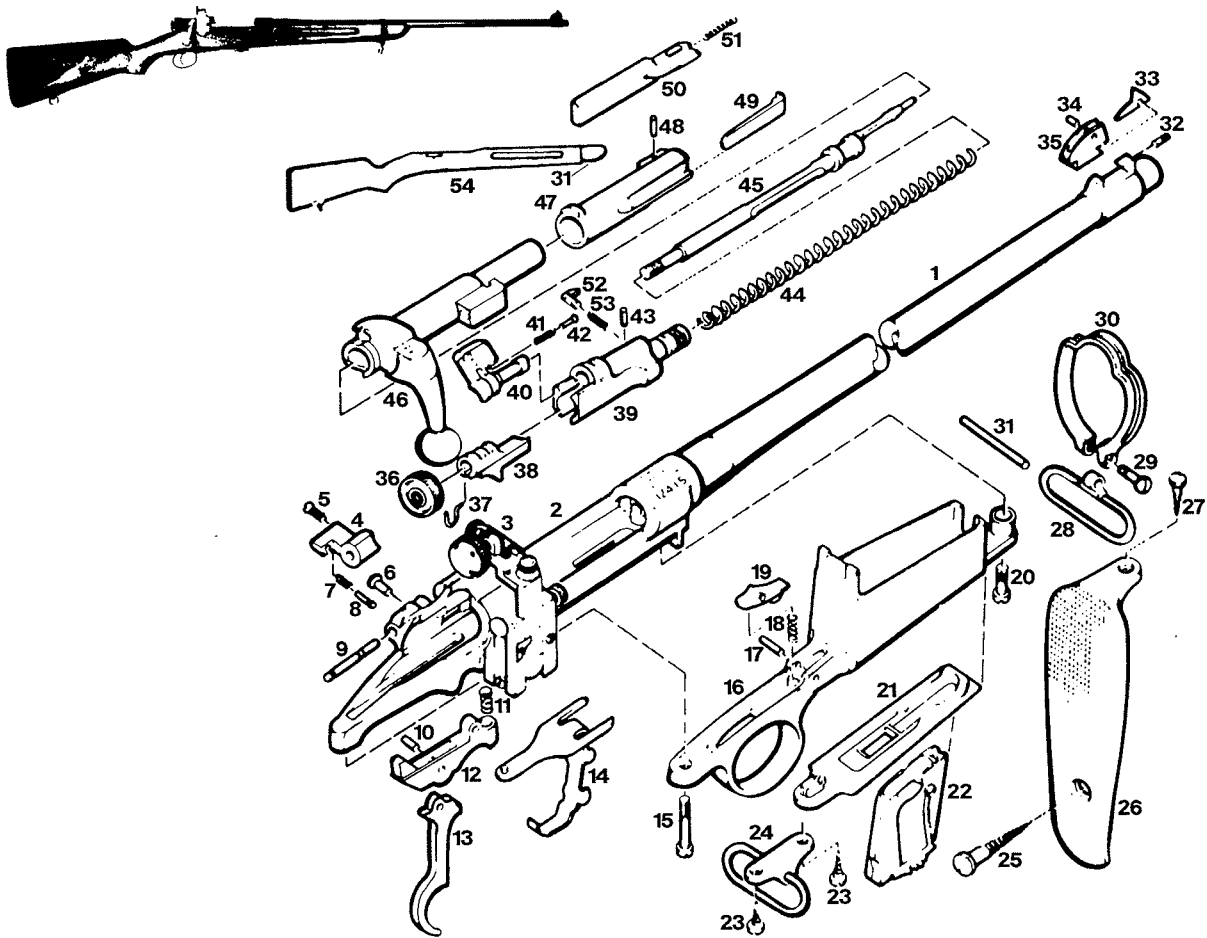
1	Barrel	19	Tang Screw	37	Guard Bow Swivel
2	Rear Sight Assembly	20	Side Screws	38	Guard Bow Swivel Screw
3	Front Sight and Pin	21	Side Screw Washers	39	Trigger
4	Breech	22	Buttplate Screws	40	Trigger Screw
5	Ejector Stud	23	Buttplate	41	Hammer
6	Extractor	24	Stock	42	Tumbler Screw
7	Hinge Pin	25	Lower Band	43	Lockplate
8	Ejector Spring	26	Upper Band	44	Mainspring
9	Spindle	27	Ramrod Stop	45	Tumbler
10	Breechblock	28	Stock Tip Screw	46	Mainspring Swivel
11	Cam Latch Spring	29	Stock Tip	47	Mainspring Swivel Pin
12	Firing Pin	30	Band Springs	48	Sear Spring
13	Cam Latch	31	Ramrod	49	Sear Spring Screw
14	Breechblock Cap	32	Lock, Complete	50	Sear
15	Thumb-Piece	33	Guard Plate	51	Sear Screw
16	Breechblock Cap Screw	34	Guard Screws	52	Bridle
17	Firing Pin Screw	35	Guard Bow	53	Bridle Screw
18	Breech Screw	36	Guard Bow Nuts		

Model 1903 A-1 and A-3 Bolt-Action Rifle



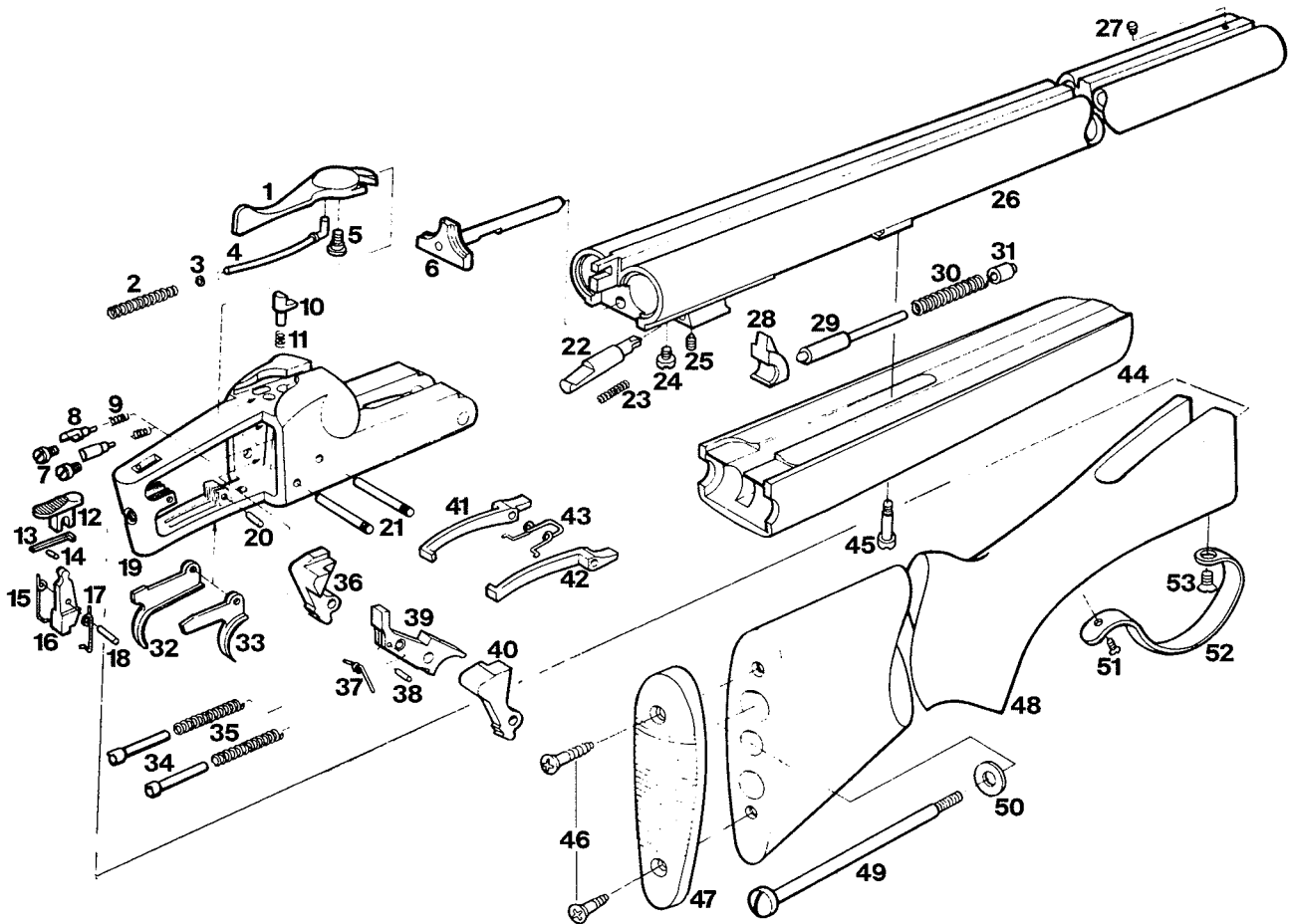
- | | | | | | |
|----|-------------------------|----|-------------------------|----|--|
| 1 | Firing Pin Rod | 20 | Sear Pin | 39 | Front Sight Band |
| 2 | Safety Lock Assembly | 21 | Sear Spring | 40 | Front Sight Base Pin |
| 3 | Bolt Sleeve Lock | 22 | Trigger Pin | 41 | Rear Sight Leaf |
| 4 | Bolt Sleeve Lock Spring | 23 | Sear | 42 | Leaf Hinge Pin |
| 5 | Bolt Sleeve Lock Pin | 24 | Trigger | 43 | Rear Sight Leaf Spring |
| 6 | Bolt Sleeve | 25 | Follower | 44 | Rear Sight Binding Knob, Elevation Slide |
| 7 | Mainspring | 26 | Floorplate Catch | 45 | Rear Sight Windage Knob Assembly |
| 8 | Striker Sleeve | 27 | Floorplate Catch Spring | 46 | Rear Sight Leaf Base |
| 9 | Striker | 28 | Floorplate Catch Pin | 47 | Rear Sight Base Collar |
| 10 | Bolt Complete | 29 | Rear Guard Screw | 48 | Rear Sight Drift |
| 11 | Extractor Collar | 30 | Front Guard Screw | 49 | Rear Sight Slide |
| 12 | Extractor | 31 | Trigger Guard | 50 | Rear Sight Slide Cap Screw |
| 13 | Cutoff Spindle | 32 | Floorplate | | |
| 14 | Cutoff Screw | 33 | Magazine Spring | | |
| 15 | Cutoff | 34 | Front Sight Base | | |
| 16 | Cutoff Plunger Spring | 35 | Front Sight Blade | | |
| 17 | Cutoff Plunger | 36 | Front Sight Base Screw | | |
| 18 | Ejector Pin | 37 | Front Sight Base Spline | | |
| 19 | Ejector | 38 | Front Sight Blade Pin | | |
- Parts Not Shown**
 Buttplate
 Buttplate Trapdoor

Model 1922 M2 Bolt-Action Rifle



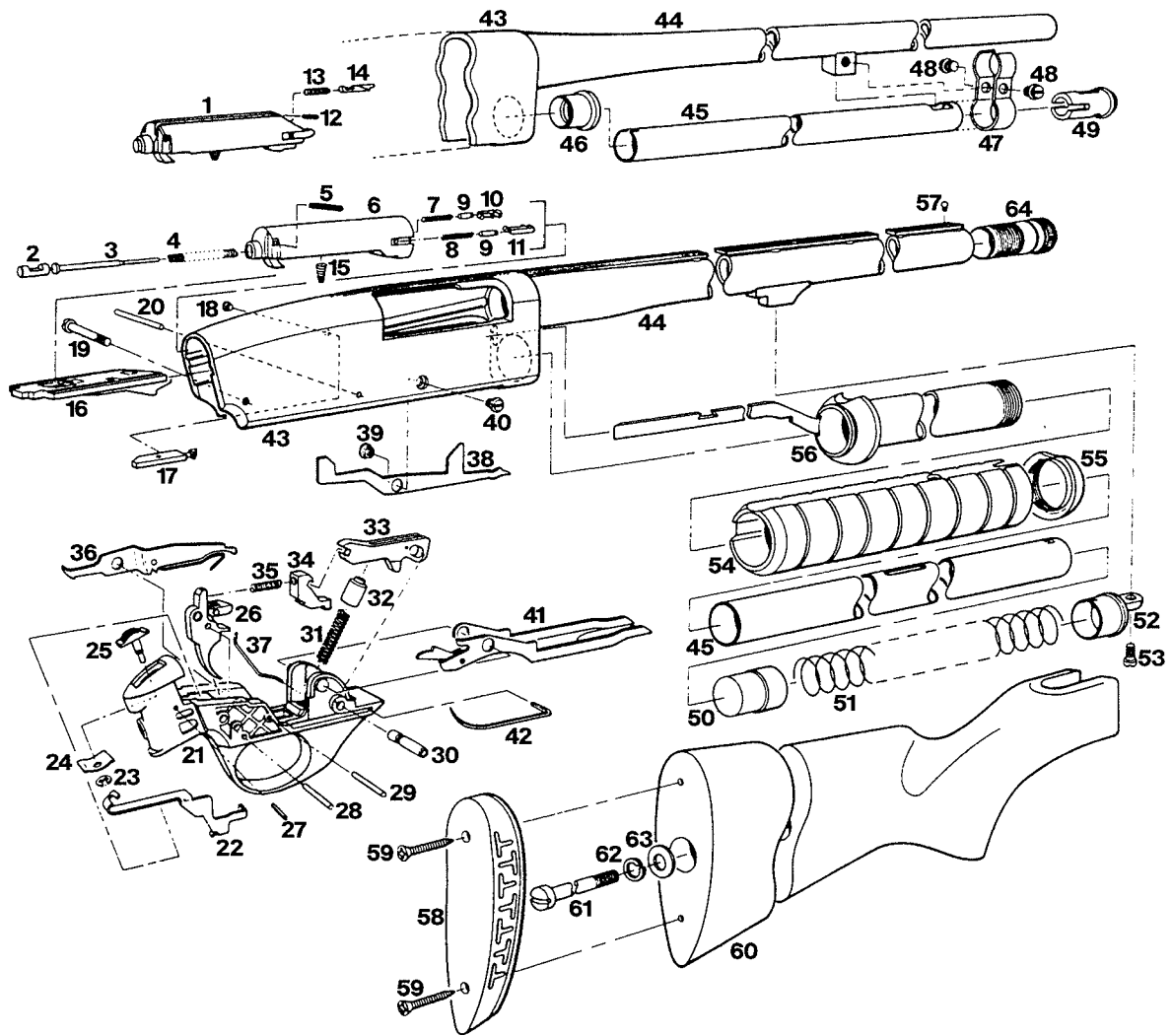
1	Barrel	28	Front Swivel
2	Receiver	29	Front Swivel Screw
3	Rear Sight Assembly	30	Front Band Assembly
4	Ejector Stop	31	Front Band Retaining Pin
5	Ejector Stop Screw	32	Sight Base Screw
6	Sear Retaining Pin	33	Front Sight
7	Ejector Stop Plunger Spring	34	Front Sight Pin
8	Ejector Stop Plunger	35	Movable Stud
9	Spindle	36	Firing Pin Nut
10	Trigger Pin	37	Firing Pin Nut Locking Spring
11	Sear Spring	38	Cocking Piece
12	Sear	39	Bolt Sleeve
13	Trigger	40	Safety Lock
14	Magazine Retaining Spring	41	Safety Lock Plunger Spring
15	Rear Guard Screw	42	Safety Lock Plunger
16	Trigger Guard	43	Bolt Sleeve Lock Pin
17	Floorplate Catch Pin	44	Mainspring
18	Floorplate Catch Spring	45	Firing Pin
19	Floorplate Catch	46	Bolt Handle
20	Front Guard Screw	47	Bolt Head
21	Floorplate	48	Ejector Retaining Pin
22	Magazine	49	Extractor
23	Butt Swivel Screws	50	Ejector
24	Butt Swivel	51	Ejector Spring
25	Lower Buttplate Screw	52	Bolt Sleeve Lock
26	Buttplate	53	Bolt Sleeve Lock Spring
27	Top Buttplate Screw	54	Stock

Model 511 Series A Side-by-Side Shotgun



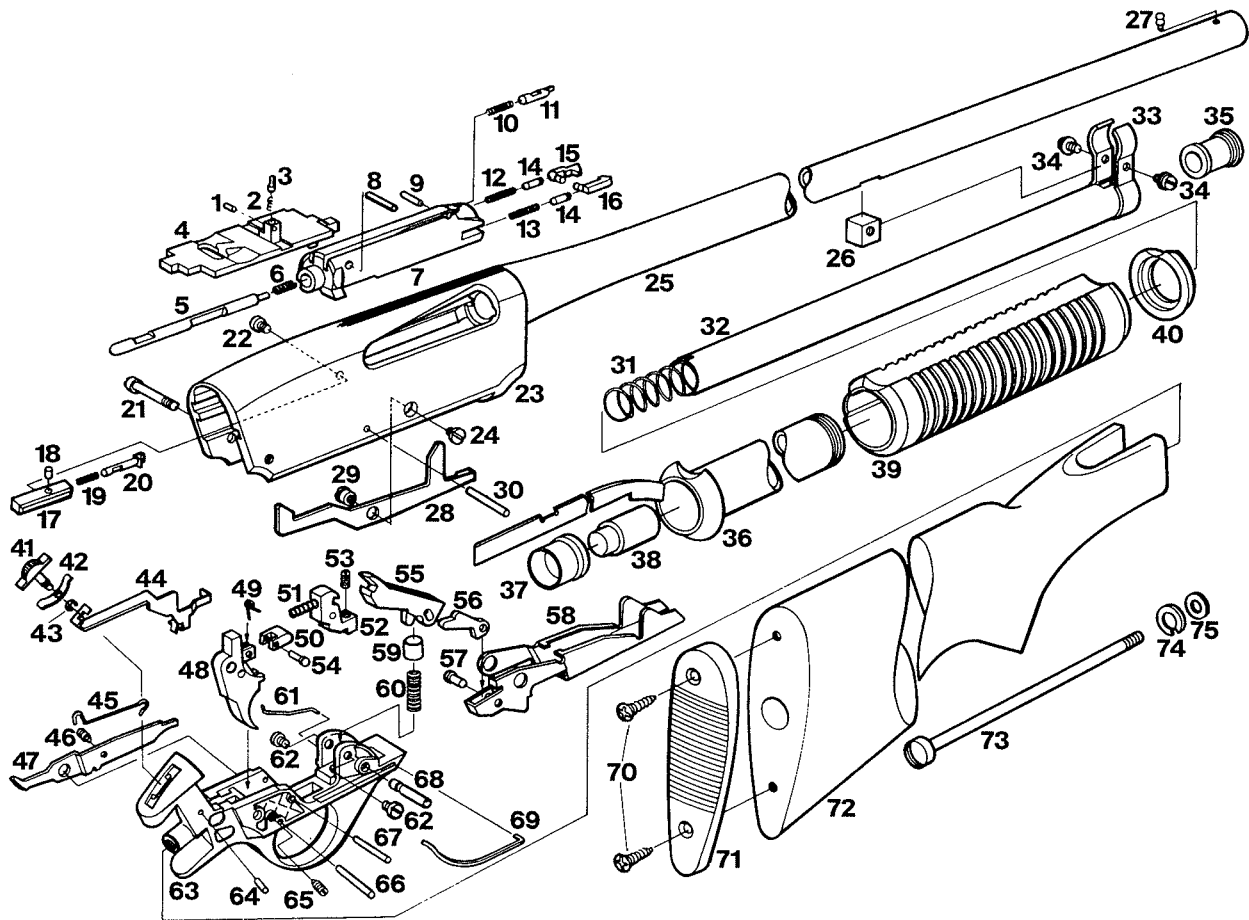
1	Top Snap	27	Front Sight
2	Top Snap Plunger Spring	28	Ejector
3	Mainspring Top Snap Washer	29	Ejector Rod
4	Top Snap Plunger	30	Ejector Rod Spring
5	Top Snap Screw	31	Ejector Rod Bushing
6	Extractor	32	Trigger, Left
7	Firing Pin Retaining Screws	33	Trigger, Right
8	Firing Pins	34	Mainspring Plungers
9	Firing Pin Springs	35	Mainsprings
10	Top Snap Trip	36	Hammer, Left
11	Top Snap Trip Spring	37	Cocking Lever Spring
12	Safety Button	38	Cocking Lever Spring Pin
13	Safety Spring	39	Cocking Lever
14	Safety Plunger	40	Hammer, Right
15	Trigger Spring, Left	41	Sear, Left
16	Safety-Lever	42	Sear, Right
17	Trigger Spring, Right	43	Sear Spring
18	Safety-Lever Pin	44	Forend
19	Frame	45	Forend Screw
20	Trigger Pin	46	Buttplate Screws
21	Sear Pin and Cocking Lever Pin	47	Buttplate
22	Cocking Plunger	48	Stock Assembly
23	Cocking Plunger Spring	49	Stock Bolt
24	Extractor Screw	50	Stock Bolt Washer
25	Cocking Plunger Retaining Screw	51	Trigger Guard Screw, Rear
26	Barrel Assembly	52	Trigger Guard
		53	Trigger Guard Screw, Front

Model 67, 67-T, 67VR and 67VR-T Slide-Action Shotgun



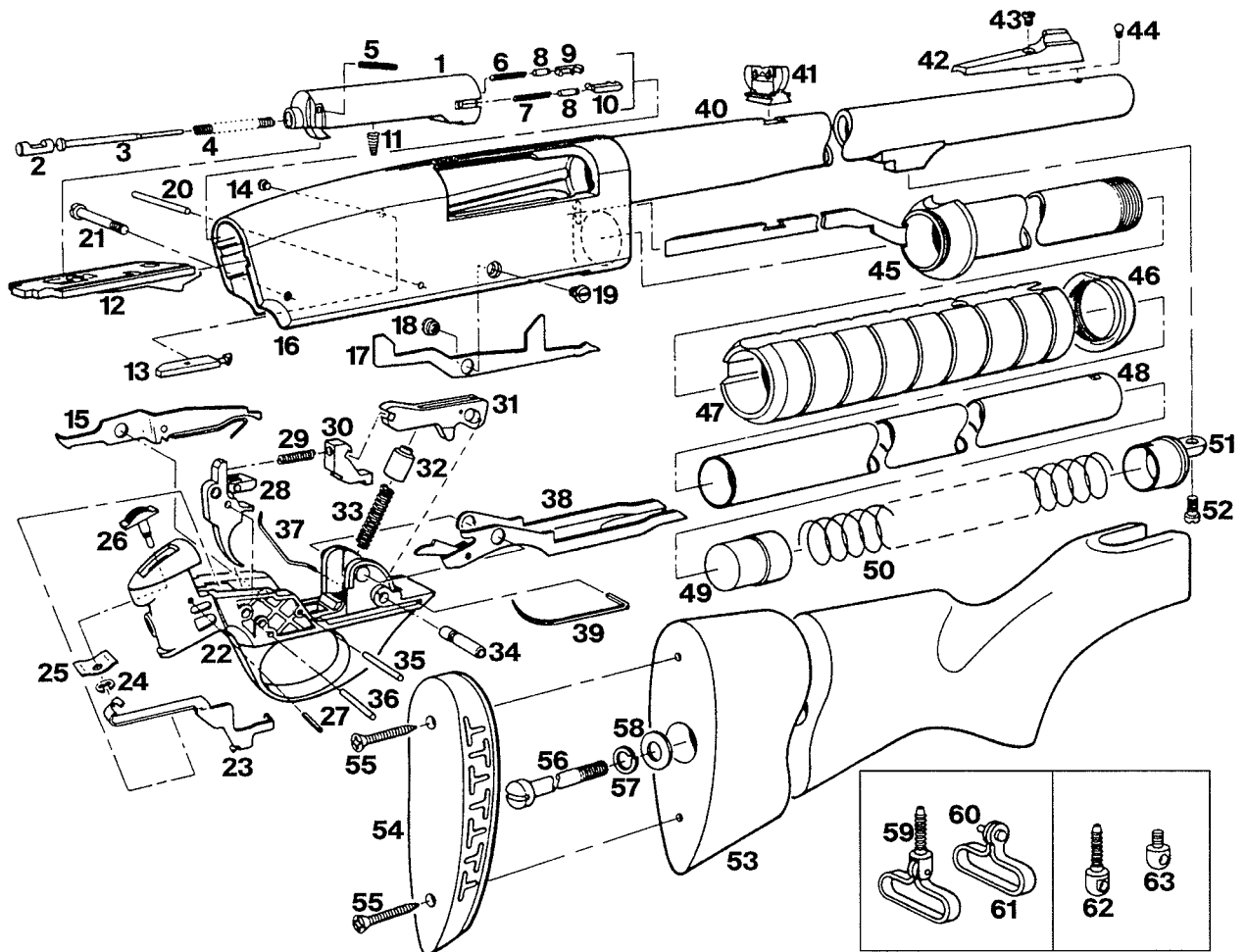
1 Bolt Assembly	23 Safety Retaining Ring	45 Magazine Tube
2 Firing Pin Extension	24 Safety Spring	46 Magazine Tube Adapter
3 Firing Pin	25 Safety	47 Magazine Tube Yoke
4 Firing Pin Spring	26 Trigger	48 Magazine Tube Screws
5 Firing Pin Stop Pin	27 Safety-Lever Retaining Pin	49 Magazine Plug
6 Bolt Body	28 Trigger Pin	50 Magazine Follower
7 Extractor Spring, Left	29 Sear Pin	51 Magazine Spring
8 Extractor Spring, Right	30 Hammer Bushing	52 Magazine Spring Seat
9 Extractor Plungers	31 Mainspring	53 Magazine Spring Seat Screw
10 Extractor, Left	32 Mainspring Plunger	54 Operating Handle
11 Extractor, Right	33 Hammer	55 Operating Handle Collar
12 Shell Stop Retaining Pin	34 Sear	56 Operating Handle Bar
13 Shell Stop Spring	35 Trigger Spring	57 Front Sight
14 Shell Stop	36 Slide Lock Assembly	58 Buttpad
15 Bolt Support Spring	37 Slide Lock Release Spring	59 Buttpad Screws
16 Slide	38 Cartridge Stop	60 Stock
17 Ejector	39 Cartridge Stop Pivot Nut	61 Stock Bolt
18 Ejector Screw	40 Cartridge Stop Pivot Screw	62 Stock Bolt Lock Washer
19 Trigger Guard Screw	41 Lifter	63 Stock Bolt Washer
20 Trigger Guard Pin	42 Lifter Spring	64 Choke Tube
21 Trigger Guard	43 Receiver	
22 Safety-Lever	44 Barrel	

Model 67 Series B Slide-Action Shotgun



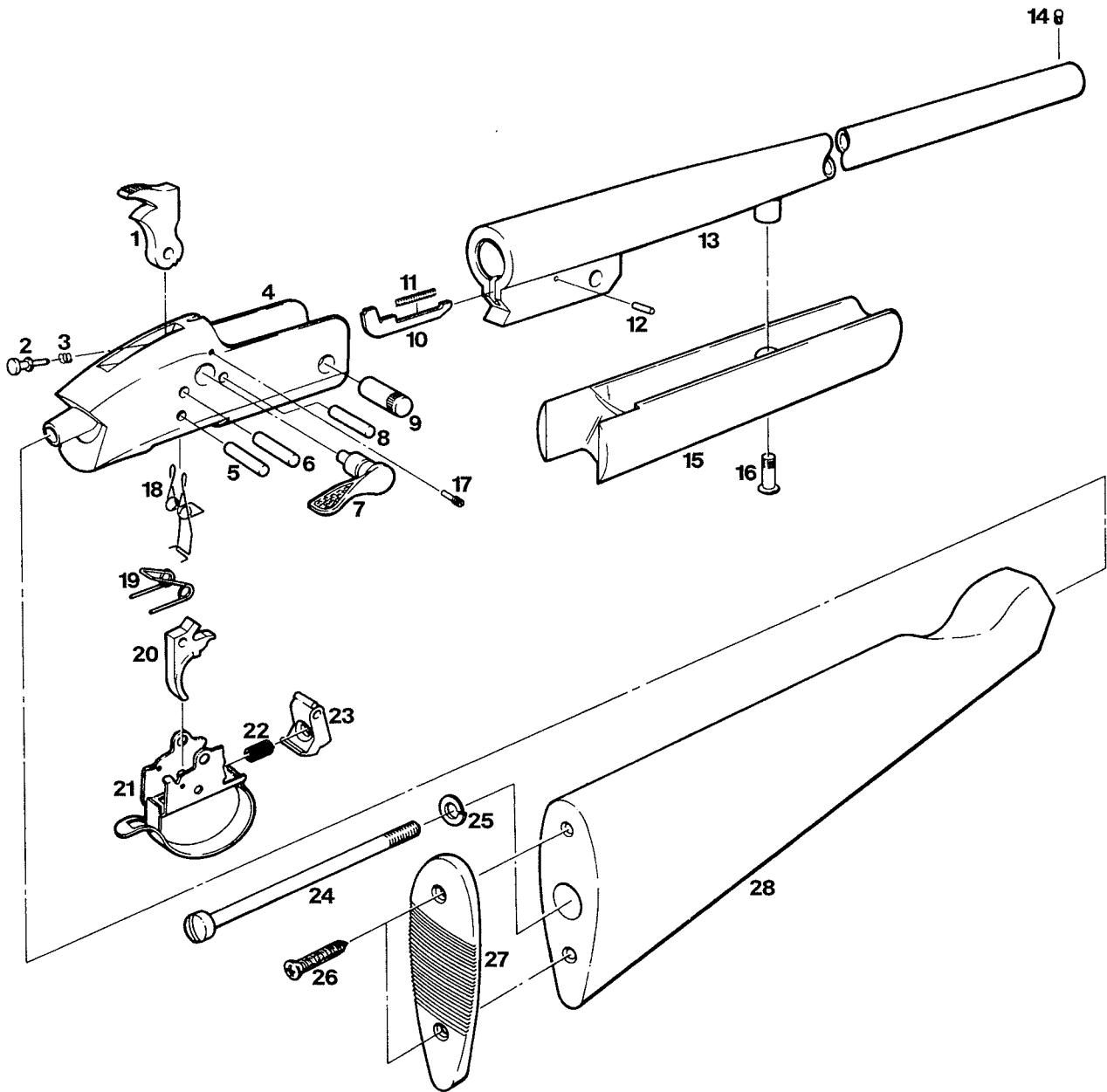
1	Firing Pin Retractor Plunger Pin	26	Filler Block	51	Trigger Spring
2	Firing Pin Retractor Plunger Spring	27	Front Sight	52	Sear
3	Firing Pin Retractor Plunger	28	Cartridge Stop	53	Sear Engagement Screw
4	Slide Assembly	29	Cartridge Stop Pivot Nut	54	Sear Trip Pin
5	Firing Pin	30	Trigger Guard Pin	55	Hammer Assembly
6	Firing Pin Spring	31	Magazine Spring	56	Lifter Pawl
7	Breechbolt	32	Magazine Tube	57	Lifter Pawl Pin
8	Firing Pin Stop Pin	33	Magazine Tube Yoke	58	Lifter Assembly
9	Shell Stop Retaining Pin	34	Magazine Tube Yoke Screws	59	Mainspring Plunger
10	Shell Stop Spring	35	Magazine Plug	60	Mainspring
11	Shell Stop	36	Operating Handle Bar Assembly	61	Slide Lock Release Spring
12	Extractor Spring, Left	37	Magazine Tube Adapter	62	Lifter Screw
13	Extractor Spring, Right	38	Magazine Follower	63	Trigger Guard
14	Extractor Plungers	39	Operating Handle Wood	64	Safety-Lever Retaining Pin
15	Extractor, Left	40	Operating Handle Bar Collar, Front	65	Trigger Adjusting Screw
16	Extractor, Right	41	Safety	66	Trigger Pin
17	Ejector Assembly	42	Safety Spring	67	Sear Pin
18	Ejector Pin	43	Safety Retaining Ring	68	Hammer Bushing
19	Ejector Spring	44	Safety-Lever	69	Lifter Spring
20	Ejector Plunger	45	Slide Lock Spring	70	Buttplate Screws
21	Trigger Guard Screw	46	Slide Lock Spring Stud	71	Buttplate
22	Ejector Screw	47	Slide Lock and Spring Assembly	72	Stock Assembly
23	Receiver	48	Trigger	73	Stock Bolt
24	Cartridge Stop Pivot Screw	49	Sear Trip Spring	74	Stock Bolt Lock Washer
25	Barrel	50	Sear Trip	75	Stock Bolt Washer

Model 67 Slug, 69N, 69R and 69RXL Slide-Action Shotgun



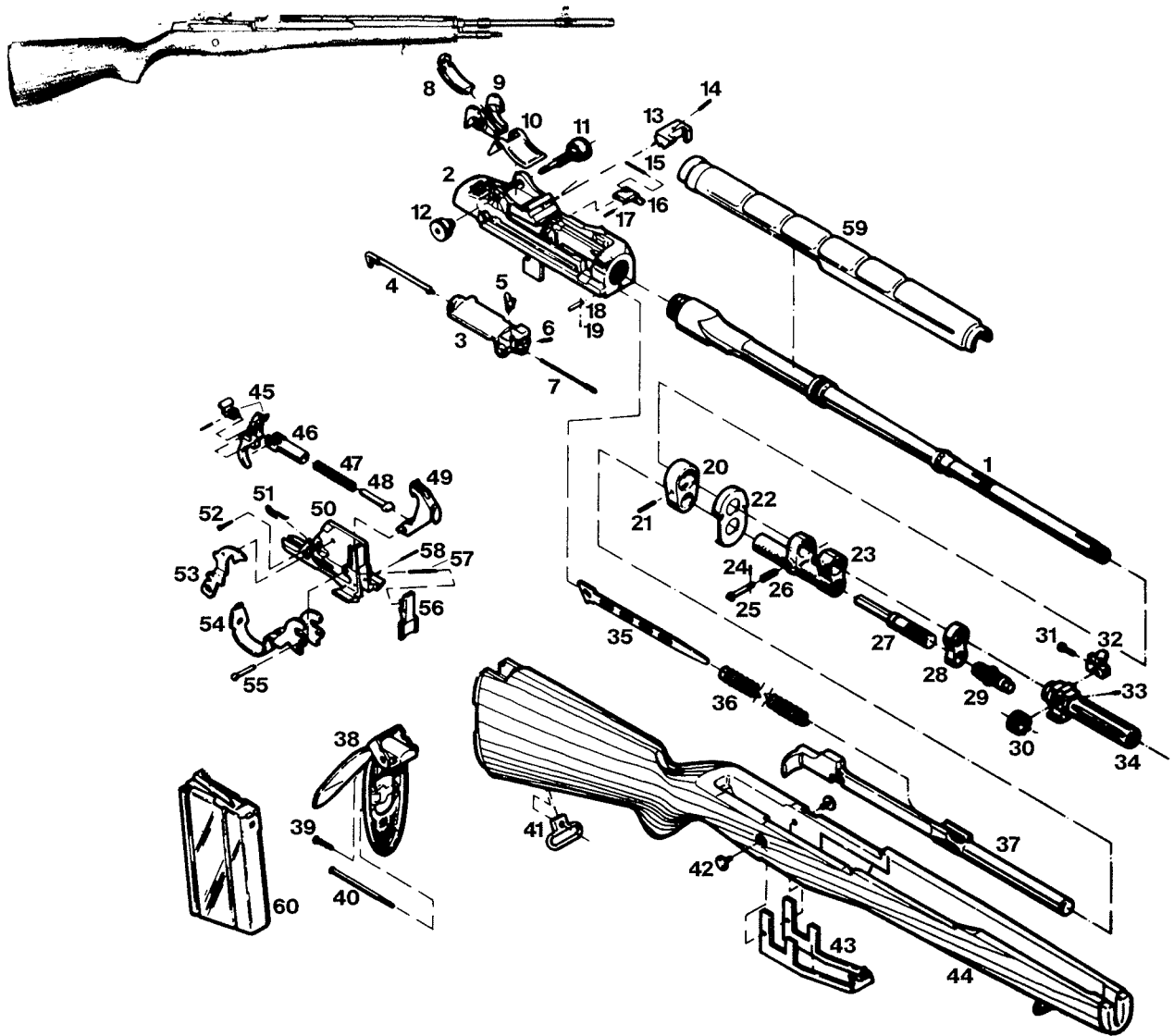
- | | | | | | |
|----|----------------------------|----|----------------------------|----|----------------------------|
| 1 | Bolt Assembly | 22 | Trigger Guard | 43 | Front Sight Screw |
| 2 | Firing Pin Extension | 23 | Safety-Lever | 44 | Front Bead |
| 3 | Firing Pin | 24 | Safety Retaining Ring | 45 | Operating Handle Bar |
| 4 | Firing Pin Spring | 25 | Safety Spring | 46 | Operating Handle Collar |
| 5 | Firing Pin Stop Pin | 26 | Safety | 47 | Operating Handle |
| 6 | Extractor Spring, Left | 27 | Safety-Lever Retaining Pin | 48 | Magazine Tube |
| 7 | Extractor Spring, Right | 28 | Trigger | 49 | Magazine Follower |
| 8 | Extractor Plungers | 29 | Trigger Spring | 50 | Magazine Spring |
| 9 | Extractor, Left | 30 | Sear | 51 | Magazine Spring Seat |
| 10 | Extractor, Right | 31 | Hammer | 52 | Magazine Spring Seat Screw |
| 11 | Bolt Support Spring | 32 | Mainspring Plunger | 53 | Stock |
| 12 | Slide Assembly | 33 | Mainspring | 54 | Buttpad |
| 13 | Ejector | 34 | Hammer Bushing | 55 | Buttpad Screws |
| 14 | Ejector Screw | 35 | Sear Pin | 56 | Stock Screw |
| 15 | Slide Lock Assembly | 36 | Trigger Pin | 57 | Stock Bolt Lock Washer |
| 16 | Receiver | 37 | Slide Lock Release Spring | 58 | Stock Bolt Washer |
| 17 | Cartridge Stop | 38 | Lifter | 59 | Stock Swivel Screw |
| 18 | Cartridge Stop Pivot Nut | 39 | Lifter Spring | 60 | Swivel Loop Rivet |
| 19 | Cartridge Stop Pivot Screw | 40 | Barrel | 61 | Swivel Loop |
| 20 | Trigger Guard Pin | 41 | Rear Sight | 62 | Swivel Stud, Wood Screw |
| 21 | Trigger Guard Screw | 42 | Front Sight | 63 | Swivel Stud, Machine Screw |

Model 944 and 944Y Series A Single Shot Shotgun



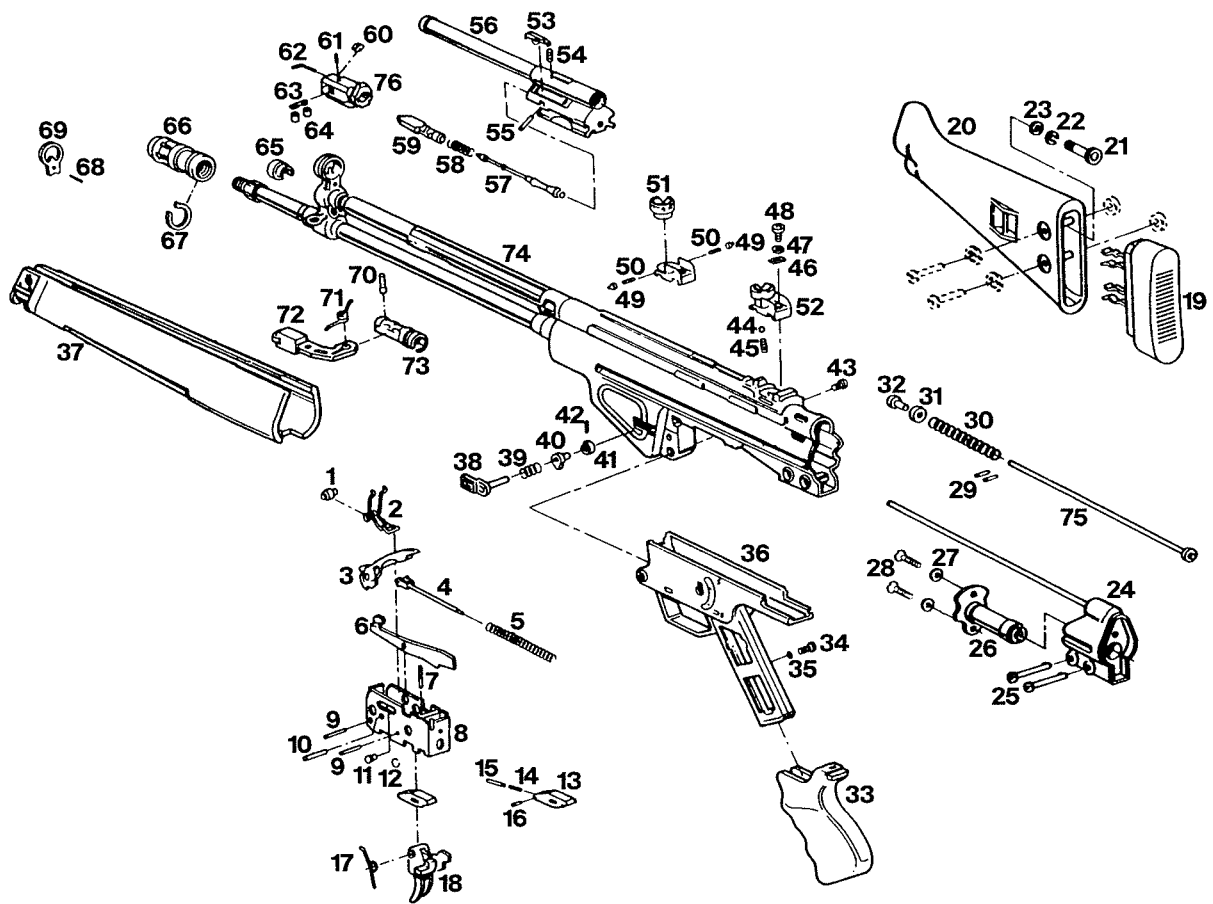
1	Hammer	15	Forend
2	Firing Pin	16	Takedown Screw
3	Firing Pin Spring	17	Firing Pin Retaining Screw
4	Frame	18	Trigger Spring
5	Trigger Pin	19	Hammer Spring
6	Hammer Pin	20	Trigger
7	Side Lever	21	Trigger Bracket
8	Lock Bolt Pin	22	Locking Bolt Spring
9	Joint Pin	23	Locking Bolt
10	Extractor	24	Stock Bolt
11	Extractor/Ejector Spring	25	Stock Bolt Lock Washer
12	Extractor/Ejector Spring Pin	26	Buttplate Screws
13	Barrel	27	Buttplate
14	Front Sight	28	Stock

M1A Autoloading Rifle



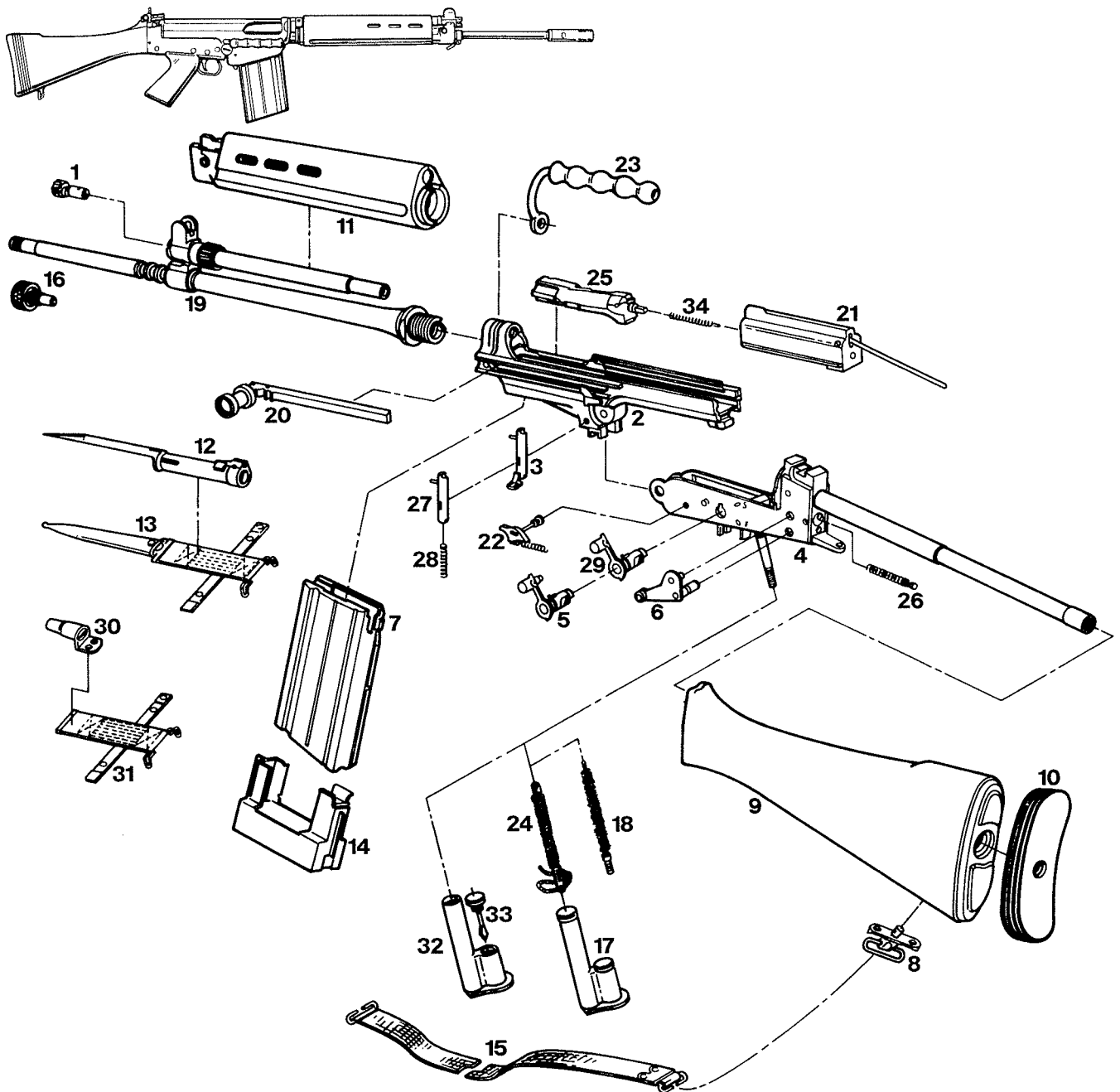
1	Barrel	22	Front Band	42	Stock Liner Screws
2	Receiver	23	Gas Cylinder	43	Stock Liner
3	Breech Bolt	24	Spring Pin	44	Stock
4	Firing Pin	25	Valve Spindle	45	Trigger and Sear Assembly
5	Extractor	26	Valve Spring	46	Hammer Spring Housing
6	Extractor Plunger with Spring	27	Gas Cylinder Piston	47	Helical Compression Spring
7	Ejector with Spring	28	Gas Cylinder Lock	48	Hammer Spring Plunger
8	Rear Sight Aperture	29	Gas Cylinder Plug	49	Hammer
9	Rear Sight Base	30	Flash Suppressor Nut	50	Trigger Housing
10	Rear Sight Cover	31	Front Sight Cap Socket Head Screw	51	Safety Spring
11	Elevating Pinion Assembly	32	Front Sight	52	Trigger Pin
12	Windage Knob Assembly	33	Set Screw	53	Safety
13	Cartridge Clip Guide	34	Flash Suppressor	54	Trigger Guard
14	Spring Pin	35	Operating Rod Spring Guide	55	Straight Headed Pin
15	Spring Pin	36	Operating Rod Spring	56	Magazine Latch
16	Bolt Lock	37	Operating Rod	57	Magazine Latch Spring
17	Bolt Lock Spring	38	Buttplate Assembly	58	Magazine Latch Pin
18	Connector Lock	39	Wood Screw	59	Handguard
19	Connector Lock Pin	40	Machine Screw	60	Magazine
20	Operating Rod Guide	41	Buttstock Swivel		
21	Spring Pin				

SAR-3 Autoloading Rifle



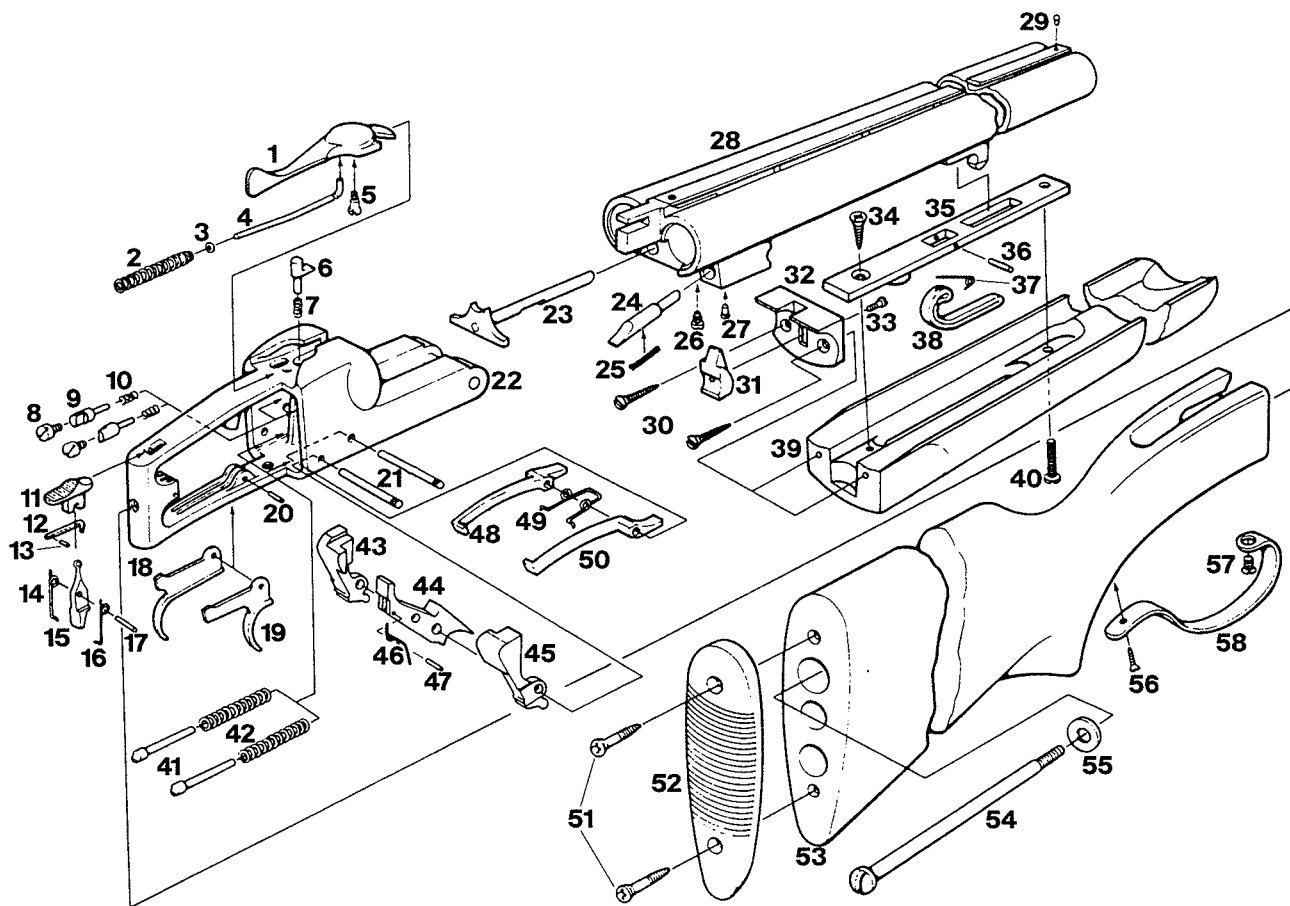
1	Distance Sleeve for Catch	27	Locking Washers for Buffer	53	Bolt Head Locking Lever
2	Elbow Spring with Roller	28	Self-Locking Buffer Screws	54	Bolt Head Locking Lever Compression Spring
3	Hammer	29	Stop Pin Rivets	55	Cylindrical Pin
4	Hammer Pressure Shank	30	Recoil Spring	56	Bolt Head Carrier
5	Hammer Compression Spring	31	Recoil Spring Guide Ring	57	Firing Pin
6	Ejector	32	Recoil Spring Stop Pin	58	Firing Pin Piece
7	Ejector Compression Spring	33	Grip	59	Locking Piece
8	Trigger Housing	34	Lens Head Cylindrical Screw	60	Extractor
9	Trigger Sear and Catch Axle	35	Toothed Washer for Grip Screw	61	Clamping Sleeve Bolt Head
10	Hammer Axle	36	Pistol Grip	62	Extractor Spring
11	Ejector Axle	37	Handguard Finished	63	Locking Lever Holder
12	Ejector Axle Spring Ring	38	Magazine Catch	64	Locking Roller
13	Sear	39	Magazine Catch Compression Piece	65	Cap Complete
14	Sear Trigger Bolt	40	Magazine Catch Contact Piece	66	Flash Hider
15	Sear Compression Spring	41	Magazine Catch Push Button	67	Flash Hider Retaining Ring
16	Bolt Head Clamping Sleeve	42	Clamping Sleeve	68	Clamping Sleeve
17	Trigger Elbow Spring	43	Adjusting Screw	69	Front Sight
18	Trigger Complete	44	Ball	70	Cocking Lever Axle
19	Buttplate with Stop Spring	45	Ball Compression Spring	71	Cocking Lever Elbow Spring
20	Buttstock with Holder for Buffer Housing	46	Rear Sight Washer	72	Cocking Lever
21	Buffer Self-Locking Screw	47	Locking Washer	73	Cocking Lever Support
22	Spring Washer	48	Clamping Screw	74	Receiver with Barrel
23	Locking Washer	49	Sight Catch Bolt	75	Recoil Spring Guide Tube
24	Backplate Complete	50	Catch Bolt Springs	76	Bolt Head Stripper
25	Buttstock Locking Pins	51	Sight Cylinder		
26	Buffer	52	Sight Support		

SAR-48 Autoloading Rifle



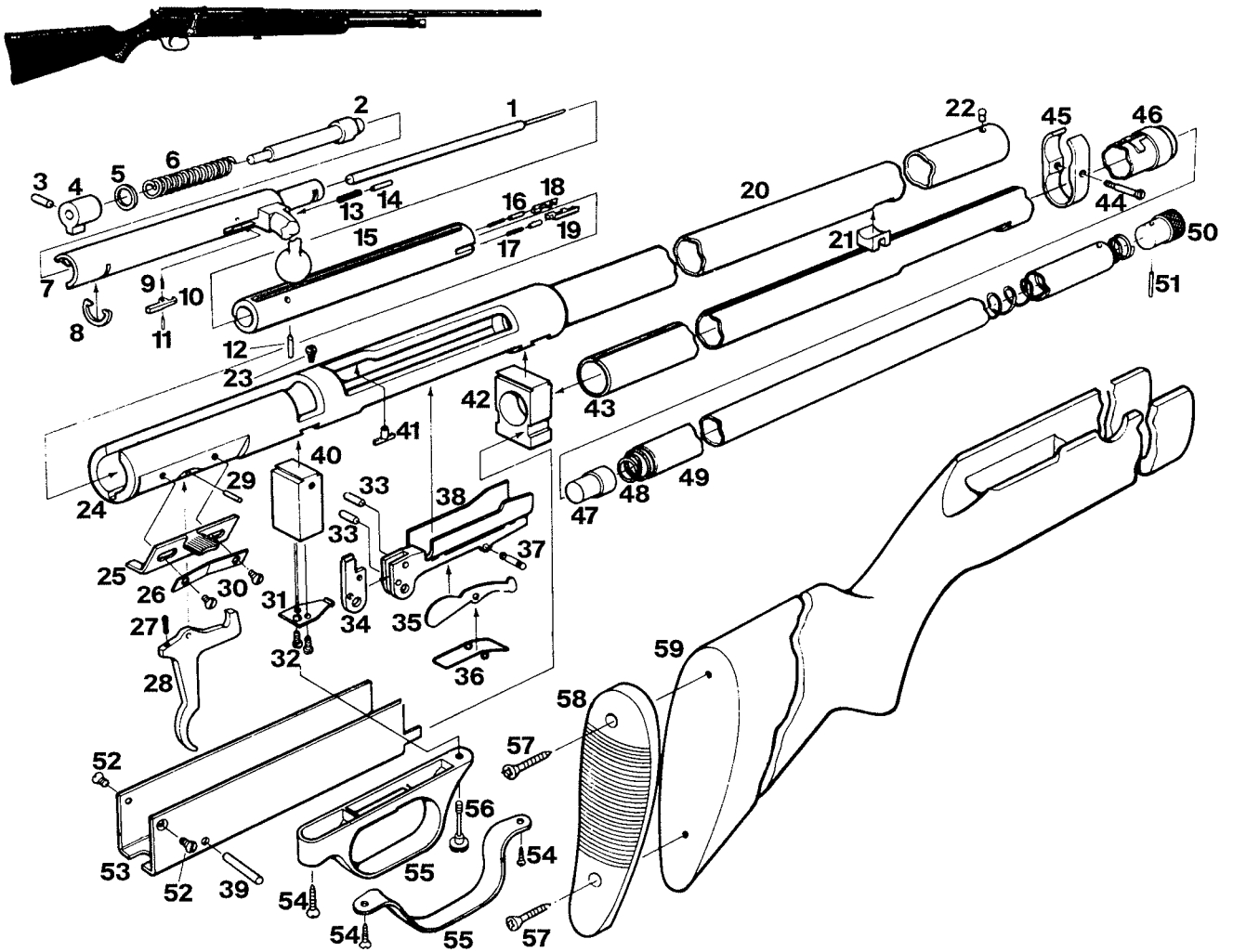
1	Gas Plug Assembly	13	Scabbard Assembly	25	Bolt and Slide Assembly
2	Receiver Assembly	14	Magazine Loader	26	Frame Lock Spring and Plunger Assembly
3	Bolt Catch	15	Shoulder Sling	27	Bolt Catch Body with Pin
4	Frame Assembly	16	Blank Firing Attachment	28	Bolt Catch Spring Plunger and Spring
5	Change Lever Assembly	17	Cleaning Case	29	Change Lever
6	Lock Lever Assembly	18	Pullthrough	30	Scabbard Collar and Spring
7	Magazine Assembly	19	Barrel and Bracket Assembly	31	Scabbard Holder
8	Rear Sling Swivel Assembly	20	Cocking Handle Assembly	32	Cleaning Device Body
9	Plastic Butt Assembly	21	Slide Assembly	33	Oil Can and Spoon
10	Buttplate	22	Safety Sear Assembly	34	Extractor Spring with Buffer
11	Handguard	23	Carrying Handle Assembly		
12	Bayonet Assembly	24	Cleaning Device		

Model 311 Side-by-Side Shotgun



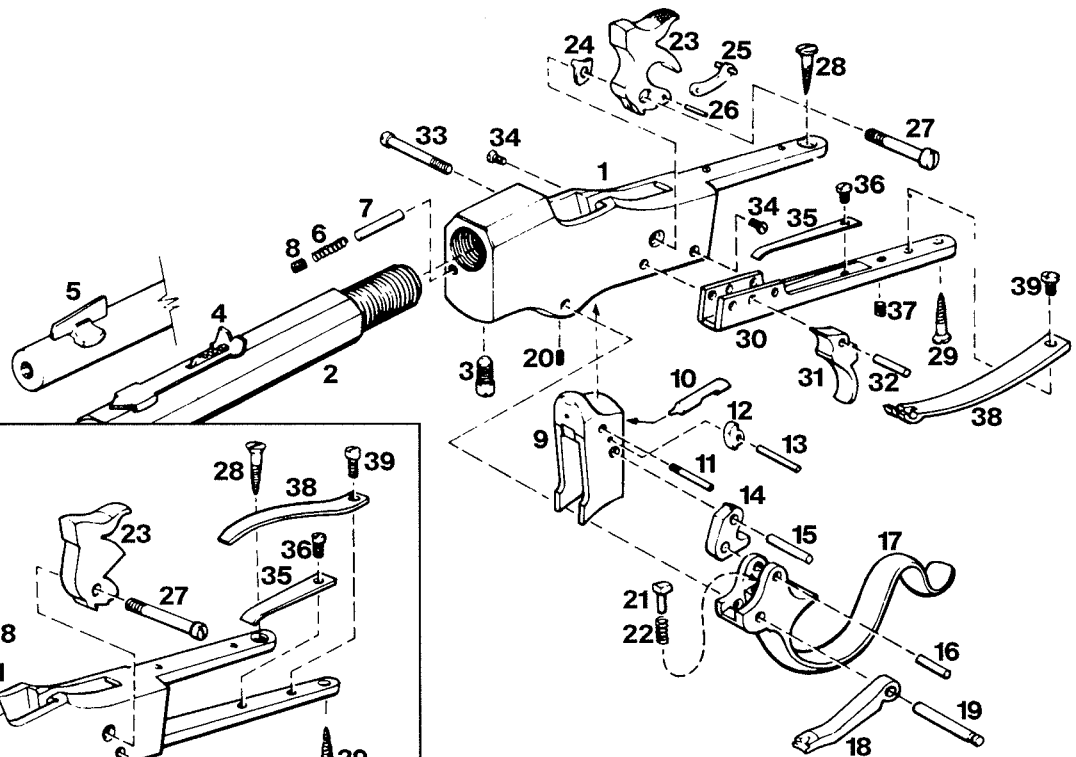
1	Top Snap	21	Cocking Lever, Hammer and Sear Pins	39	Forend Wood
2	Top Snap Plunger Spring	22	Frame	40	Forend Screw, Front
3	Mainspring Retaining Collar	23	Extractor Plate Assembly	41	Mainspring Plungers
4	Top Snap Plunger	24	Cocking Plunger	42	Mainsprings
5	Top Snap Screw	25	Cocking Plunger Spring	43	Hammer, Left
6	Top Snap Trip	26	Extractor Screw	44	Cocking Lever
7	Top Snap Trip Spring	27	Cocking Plunger Retaining Screw	45	Hammer, Right
8	Firing Pin Retaining Screws	28	Barrels	46	Cocking Lever Spring
9	Firing Pins	29	Front Sight	47	Cocking Lever Spring Pin
10	Firing Pin Springs	30	Forend Iron Head Screws	48	Sear, Left
11	Safety Button	31	Ejector	49	Sear Spring
12	Safety Spring	32	Forend Iron Head	50	Sear, Right
13	Safety Plunger	33	Ejector Screw	51	Buttplate Screws
14	Trigger Spring, Left	34	Forend Screw, Rear	52	Buttplate
15	Safety-Lever	35	Forend Spring Housing	53	Stock Assembly
16	Trigger Spring, Right	36	Forend Spring Pin	54	Stock Bolt
17	Safety-Lever Pin	37	Forend Spring Spring	55	Stock Bolt Washer
18	Trigger, Left	38	Forend Spring	56	Trigger Guard Screw, Rear
19	Trigger, Right			57	Trigger Guard Screw, Front
20	Trigger Pin			58	Trigger Guard

Model 39A, 59A, 59B and 59C Bolt-Action Shotgun

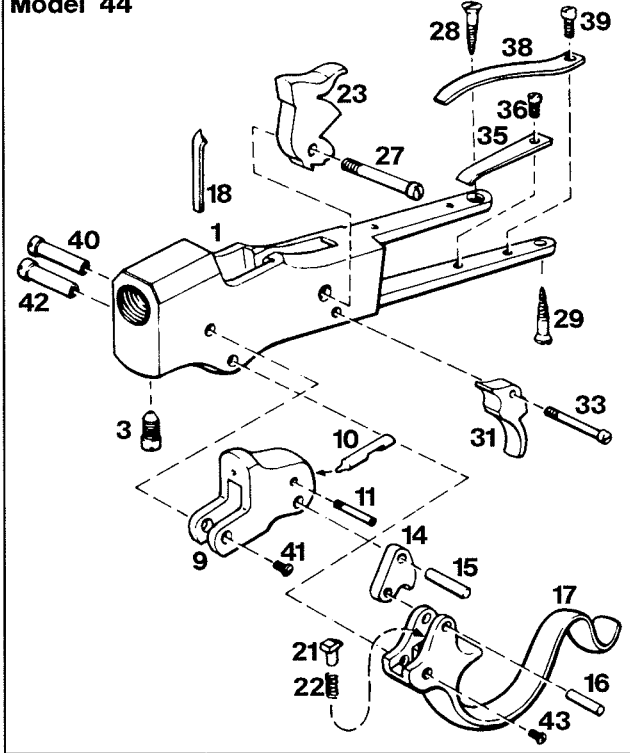


1	Firing Pin	21	Filler Block	41	Ejector
2	Striker	22	Front Sight	42	Dovetail Block, Front
3	Cocking Piece Pin	23	Bolt Stop Screw	43	Outside Magazine Tube
4	Cocking Piece	24	Receiver	44	Magazine Tube Yoke Screw
5	Striker Washer	25	Safety	45	Magazine Tube Yoke
6	Mainspring	26	Safety Spring	46	Magazine Tube Collar
7	Bolt Body and Handle	27	Trigger Spring	47	Magazine Follower
8	Mainspring Retainer	28	Trigger	48	Magazine Follower Spring
9	Safety Pawl Spring	29	Trigger Pin	49	Inside Magazine Tube
10	Safety Pawl	30	Safety Screws	50	Magazine Plug
11	Safety Pawl Pin	31	Lifter Spring	51	Magazine Plug Pin
12	Bolt Head Retaining Pin	32	Lifter Spring Screws	52	Lifter Housing Screws
13	Bolt Head Stop Plunger Spring	33	Lifter Pawl Pins	53	Lifter Housing
14	Bolt Head Stop Plunger	34	Lifter Pawl	54	Trigger Guard Screws
15	Bolt Head	35	Lifter Lever	55	Trigger Guard
16	Extractor Plungers	36	Lifter Lever Spring	56	Takedown Screw
17	Extractor Springs	37	Lifter Lever Pin	57	Buttplate Screws
18	Extractor, Left	38	Lifter Assembly	58	Buttplate
19	Extractor, Right	39	Lifter Pin	59	Stock
20	Barrel	40	Dovetail Block, Rear		

Model 44 and 44 1/2 Single Shot Rifle



Model 44

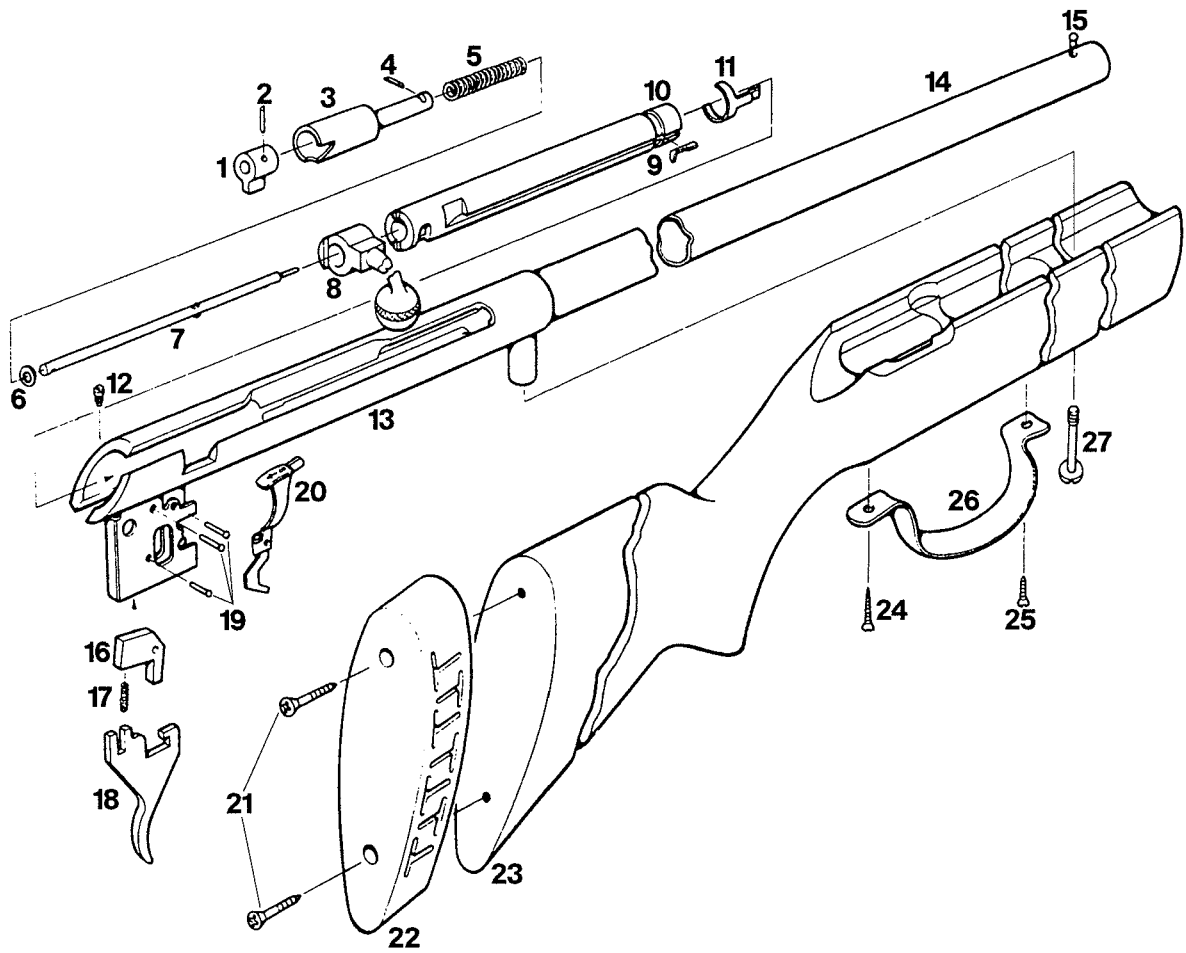


- | | | | | | |
|----|----------------------------|----|-----------------------------|----|-------------------------|
| 1 | Frame | 18 | Extractor | 35 | Trigger Spring |
| 2 | Barrel | 19 | Lever Bolt | 36 | Trigger Spring Screw |
| 3 | Barrel Screw | 20 | Lever Bolt Screw | 37 | Filler Screw |
| 4 | Rear Sight | 21 | Lever Plunger | 38 | Mainspring |
| 5 | Front Sight | 22 | Lever Plunger Spring | 39 | Mainspring Screw |
| 6 | Breechblock Spring | 23 | Hammer | 40 | Breechblock Pivot |
| 7 | Breechblock Spring Plunger | 24 | Hammer Fly | 41 | Breechblock Pivot Screw |
| 8 | Breechblock Spring Screw | 25 | Hammer Stirrup | 42 | Lever Pivot |
| 9 | Breechblock | 26 | Hammer Stirrup Pin | 43 | Lever Pivot Screw |
| 10 | Firing Pin | 27 | Hammer Screw | | |
| 11 | Firing Pin Screw | 28 | Top Stock Screw | | |
| 12 | Firing Pin Lever | 29 | Bottom Stock Screw | | |
| 13 | Firing Pin Lever Pin | 30 | Trigger Plate | | |
| 14 | Link | 31 | Trigger | | |
| 15 | Breechblock Link Pin | 32 | Trigger Pin | | |
| 16 | Lever Link Pin | 33 | Trigger Plate Screw, Long | | |
| 17 | Lever | 34 | Trigger Plate Screws, Short | | |

Parts Not Shown

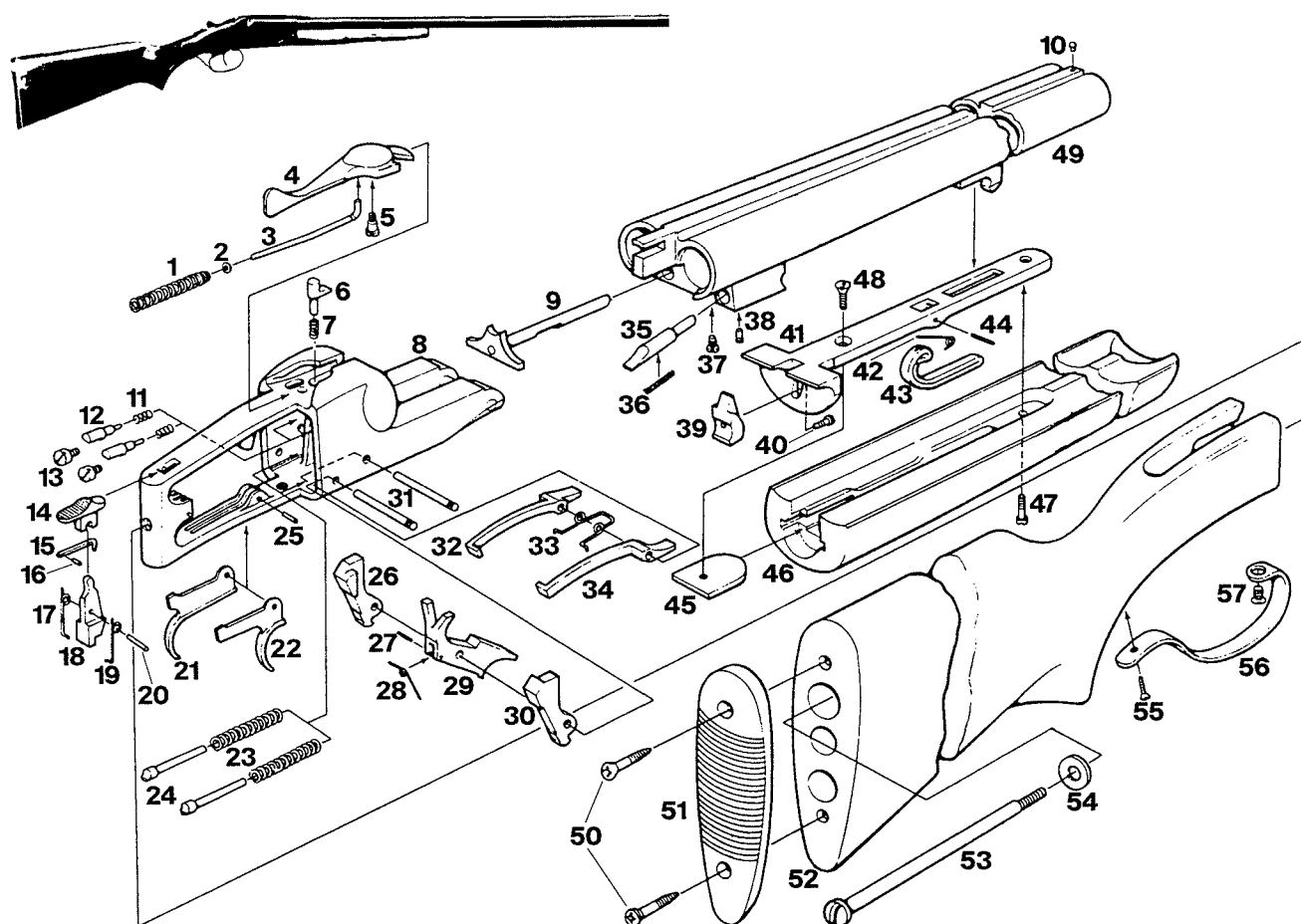
- Forend
- Forend Screw
- Buttstock
- Buttplate
- Buttplate Screws

Model 51 and Springfield Model 951 and 951Y Bolt-Action Shotgun



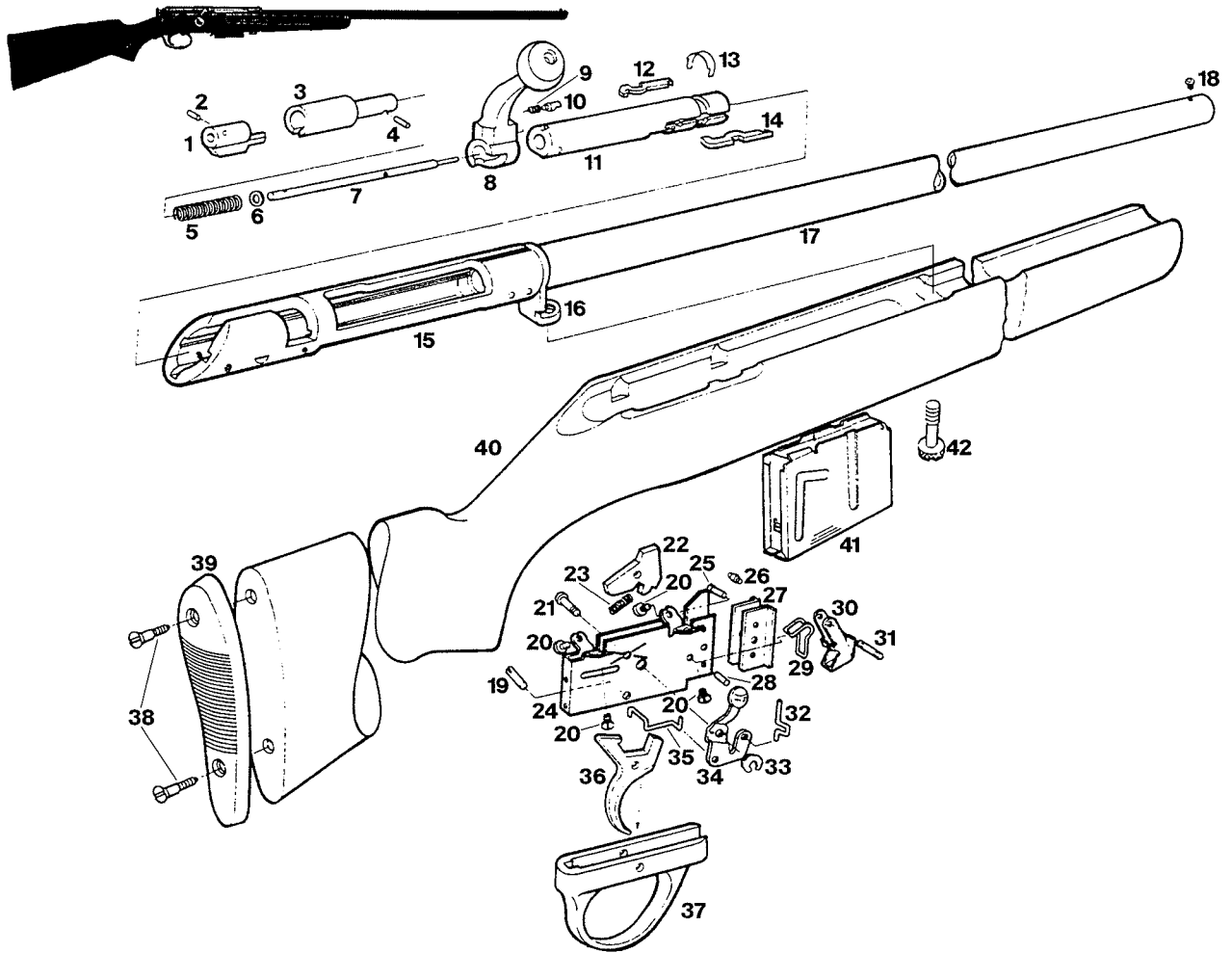
1	Cocking Piece	15	Front Sight
2	Cocking Piece Pin	16	Sear
3	Breechbolt	17	Trigger Spring
4	Bolt Hood Retaining Pin	18	Trigger
5	Mainspring	19	Trigger, Safety and Sear Pins
6	Breechbolt Spring Washer	20	Safety
7	Firing Pin	21	Recoil Pad Screws
8	Bolt Handle	22	Recoil Pad
9	Ejector	23	Stock Assembly
10	Bolt Hood	24	Trigger Guard Screw, Rear
11	Extractor	25	Trigger Guard Screw, Front
12	Bolt Stop Screw	26	Trigger Guard
13	Receiver	27	Takedown Screw
14	Barrel		

Model 5100, 530, 530A, 311, 311A, 311C, 311D, 311E and Series 311F Side-by-Side Shotgun



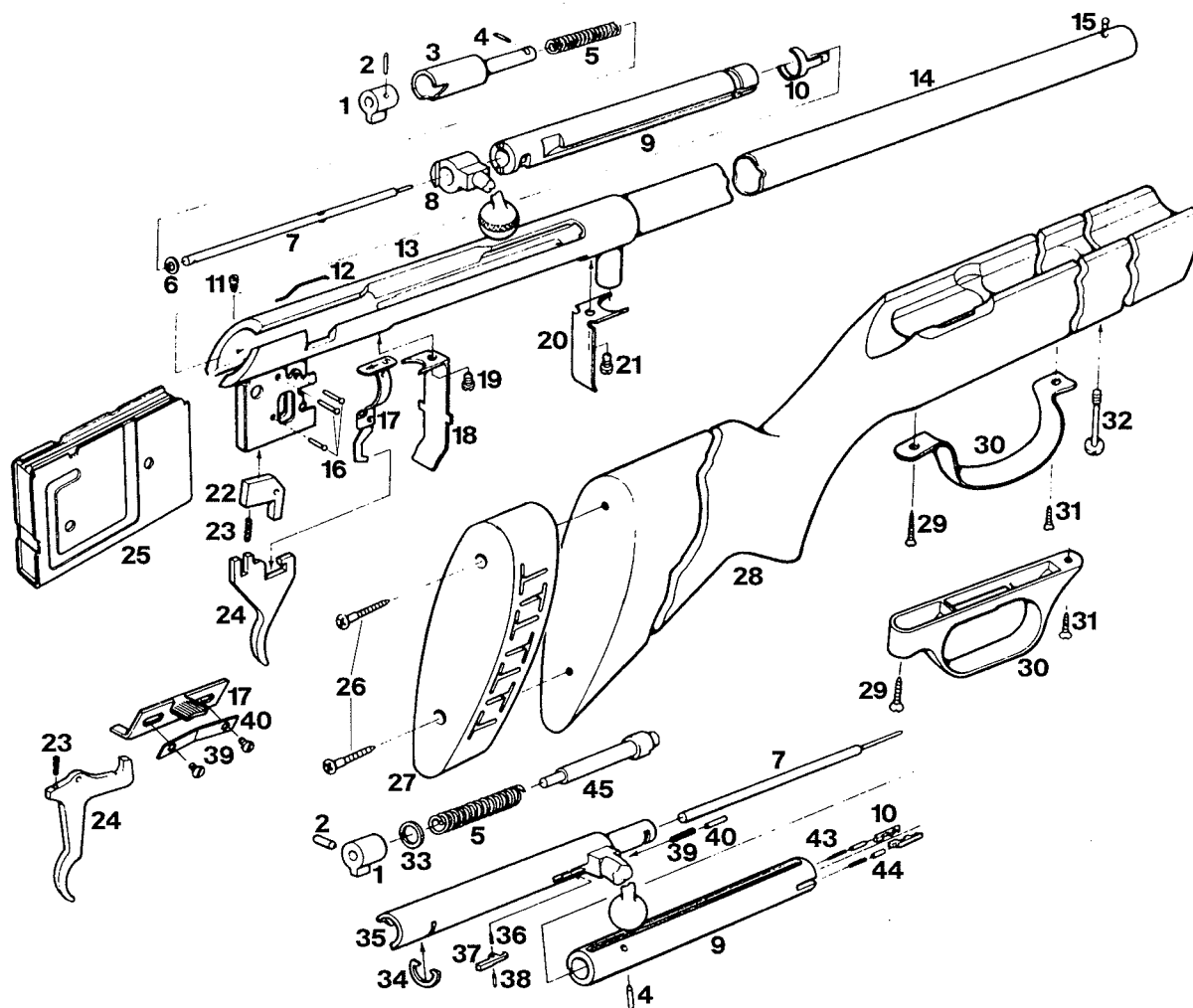
1	Top Snap Plunger Spring	21	Trigger, Left	40	Ejector Screw
2	Top Snap Plunger Collar	22	Trigger, Right	41	Forend Iron
3	Top Snap Plunger	23	Mainsprings	42	Forend Spring Spring
4	Top Snap	24	Mainspring Plungers	43	Forend Spring
5	Top Snap Screw	25	Trigger Pin	44	Forend Spring Pin
6	Top Snap Trip	26	Hammer, Left	45	Forend Insert
7	Top Snap Trip Spring	27	Cocking Lever Spring Pin	46	Forend Wood
8	Frame	28	Cocking Lever Spring	47	Forend Screw, Front
9	Extractor	29	Cocking Lever	48	Forend Screw, Rear
10	Front Sight	30	Hammer, Right	49	Barrel Assembly, Complete
11	Firing Pin Springs	31	Cocking Lever, Hammer and Sear Pins	50	Buttplate Screws
12	Firing Pins	32	Sear, Left	51	Buttplate
13	Firing Pin Retaining Screws	33	Sear Spring	52	Stock
14	Safety Button	34	Sear, Right	53	Stock Bolt
15	Safety Spring	35	Cocking Plunger	54	Stock Bolt Washer
16	Safety Plunger	36	Cocking Plunger Spring	55	Trigger Guard Screw, Rear
17	Trigger Spring, Left	37	Extractor Screw	56	Trigger Guard
18	Safety-Lever	38	Cocking Plunger Retaining Screw	57	Trigger Guard Screw, Front
19	Trigger Spring, Right	39	Ejector		
20	Safety-Lever Pin				

Model 58 and 51 Series E and F and Springfield Model 18 and 951 Series E and F Bolt-Action Shotgun



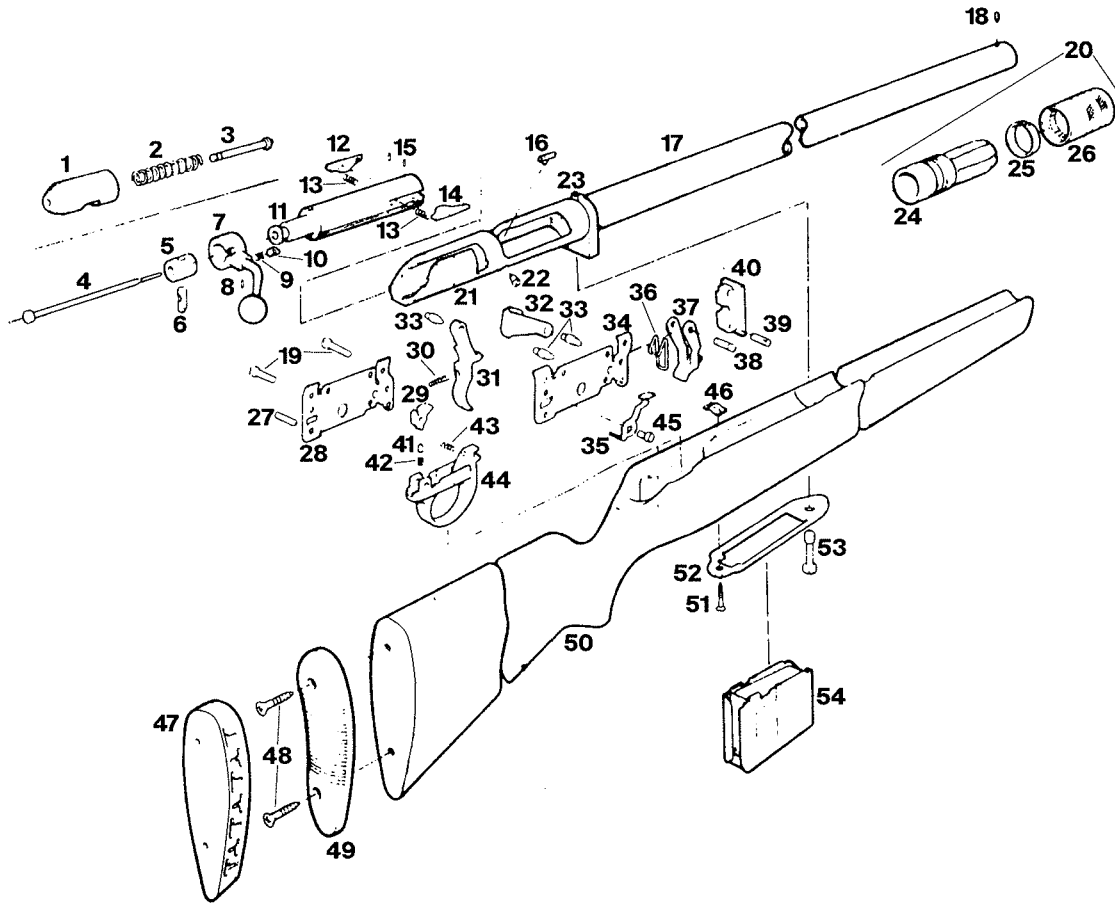
1	Cocking Piece	24	Trigger Bracket
2	Cocking Piece Pin	25	Magazine Retainer Plate Pin, Upper
3	Breechbolt	26	Trigger Bracket Spacer (51E only)
4	Bolt Head Retaining Pin	27	Magazine Retainer Plates
5	Mainspring	28	Magazine Retainer Plate Pin, Lower
6	Mainspring Washer	29	Magazine Latch Spring
7	Firing Pin	30	Magazine Latch
8	Bolt Handle	31	Magazine Latch Pin
9	Bolt Handle Plunger Spring	32	Bolt Head Stop Plunger
10	Bolt Handle Detent Plunger	33	Sear Pin Ring
11	Bolt Head	34	Safety
12	Extractor, Left	35	Safety-Lever
13	Extractor Spring	36	Trigger
14	Extractor, Right	37	Trigger Guard
15	Receiver	38	Buttplate Screws
16	Recoil Lug	39	Buttplate
17	Barrel	40	Stock Assembly
18	Front Sight	41	Magazine Assembly
19	Trigger and Trigger Guard Pin	42	Takedown Screw
20	Trigger Bracket Screws		
21	Sear Pin		
22	Sear		
23	Trigger Spring		

Model 58A, 58B, 58C, 38A and M-51 and Springfield Model 18C and M-951 Bolt-Action Shotgun



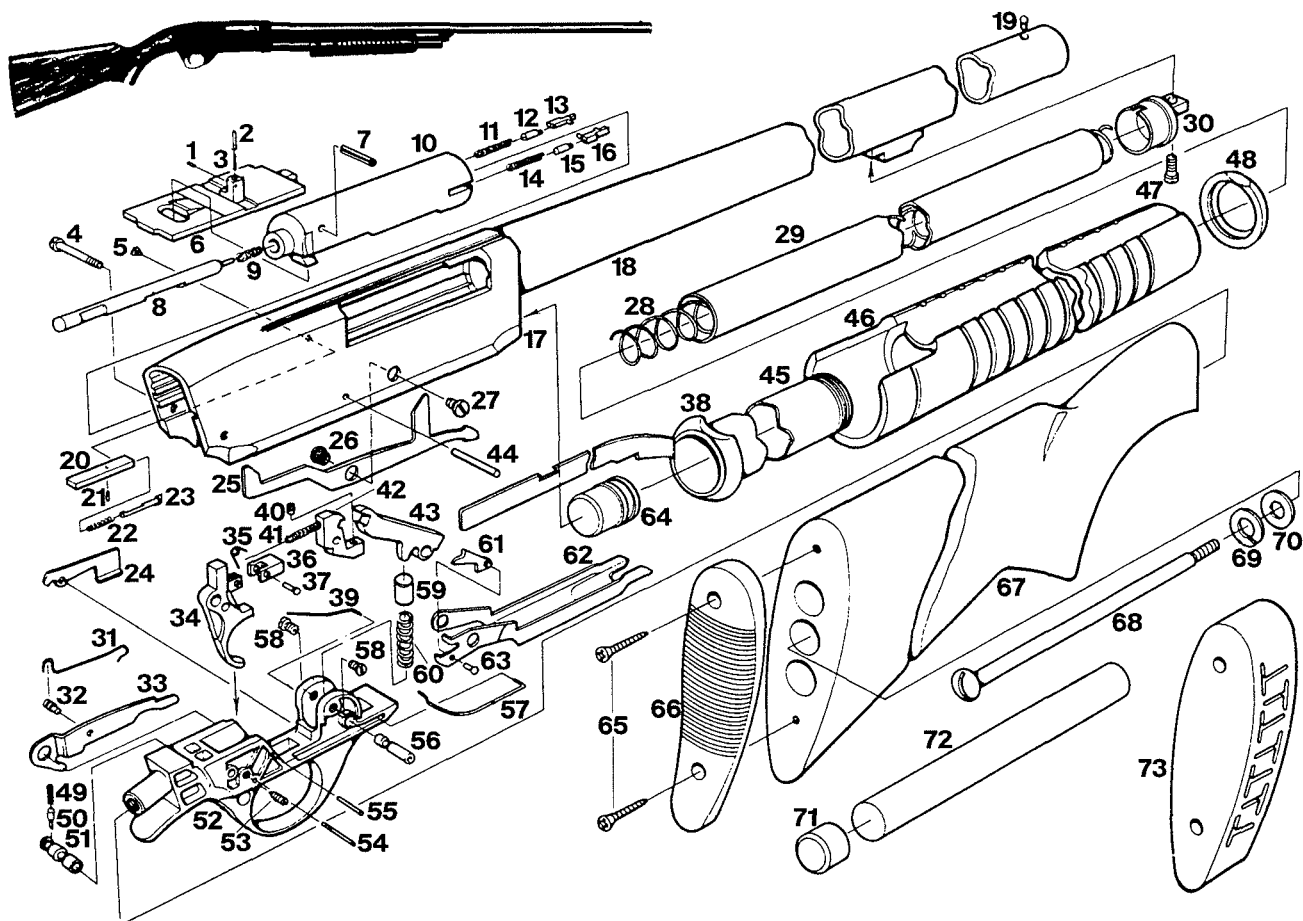
1	Cocking Piece	21	Magazine Retainer Screw, Front	36	Safety Pawl Spring (38A, 58A and 58B only)
2	Cocking Piece Pin	22	Sear	37	Safety Pawl (38A, 58A and 58B only)
3	Breechbolt	23	Trigger Spring	38	Safety Pawl Pin (38A, 58A and 58B only)
4	Bolt Head Retaining Pin	24	Trigger	39	Bolt Head Stop Plunger Spring (38A, 58A and 58B only)
5	Mainspring	25	Magazine Assembly	40	Bolt Head Stop Plunger (38A, 58A and 58B only)
6	Mainspring Washer	26	Recoil Pad Screws	41	Safety Screws (38A, 58A and 58B only)
7	Firing Pin	27	Recoil Pad	42	Safety Spring (38A, 58A and 58B only)
8	Bolt Handle	28	Stock	43	Extractor Springs (38A, 58A and 58B only)
9	Bolt Head	29	Trigger Guard Screw, Long	44	Extractor Plungers (38A, 58A and 58B only)
10	Extractor	30	Trigger Guard	45	Striker (58B only)
11	Bolt Stop Screw	31	Trigger Guard Screw, Short		
12	Ejector	32	Takedown Screw		
13	Receiver	33	Striker Washer (38A, 58A and 58B only)		
14	Barrel	34	Mainspring Retainer (38A, 58A and 58B only)		
15	Front Sight	35	Bolt Body and Handle (38A, 58A and 58B only)		
16	Safety, Sear and Trigger Pins				
17	Safety				
18	Magazine Retainer Spring, Rear				
19	Magazine Retainer Screw, Rear				
20	Magazine Retainer Spring, Front				

Model 58D, 58DAC, 18D and 18DAC Bolt-Action Shotgun



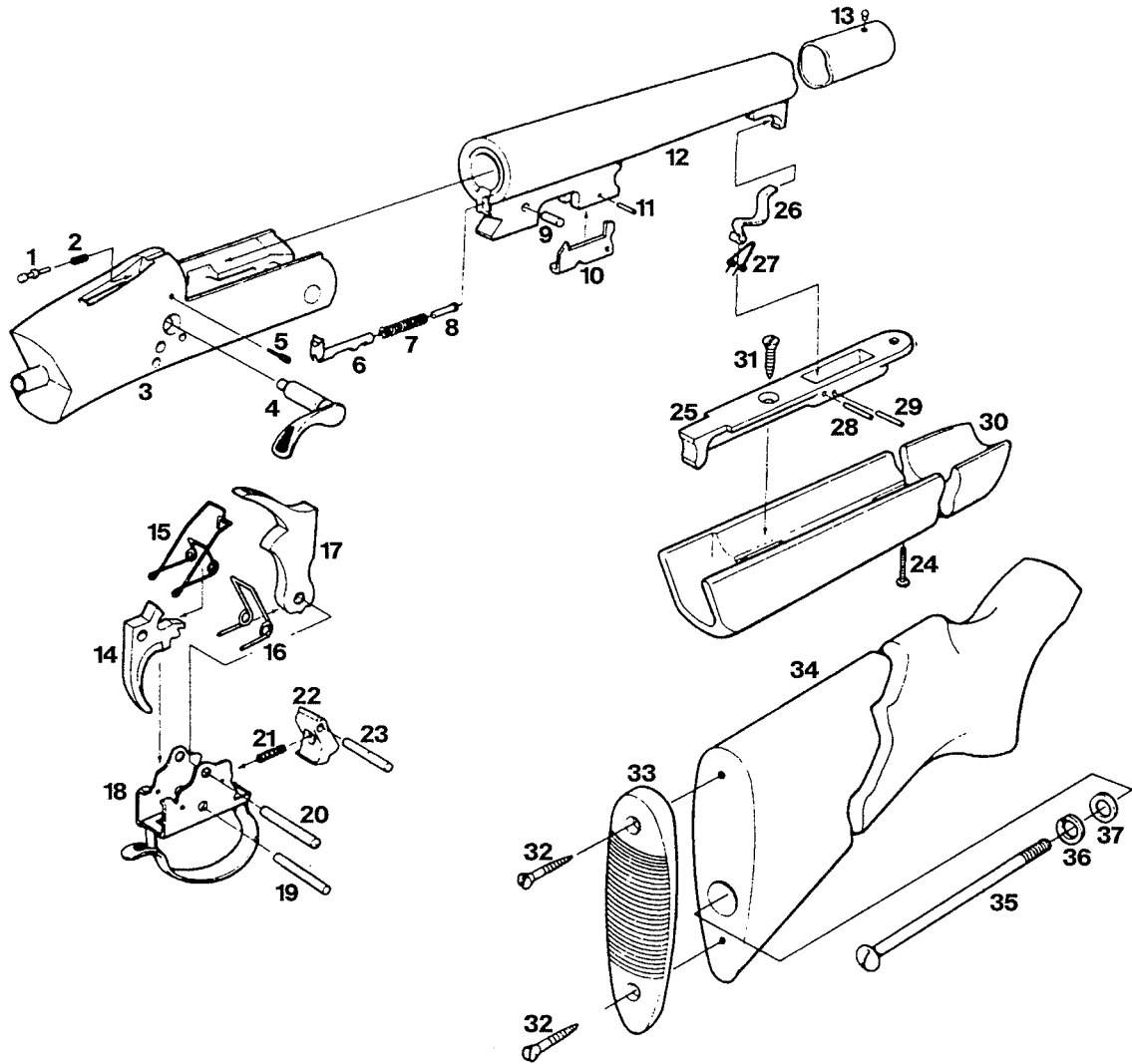
1	Bolt Cap	27	Trigger Guard Pin
2	Mainspring	28	Trigger Guard Housing, Left
3	Indicator Rod	29	Safety
4	Firing Pin	30	Trigger Spring
5	Cocking Piece Bushing	31	Trigger
6	Cocking Piece	32	Sear
7	Bolt Handle	33	Trigger Guard Housing Spacers
8	Bolt Handle Detent Plunger Pin	34	Trigger Guard Housing, Right
9	Bolt Handle Detent Plunger Spring	35	Safety
10	Bolt Handle Detent Plunger	36	Magazine Latch Spring
11	Bolt Head	37	Magazine Latch
12	Extractor, Left	38	Magazine Latch Pin
13	Extractor Springs	39	Magazine Plate Retaining Pin
14	Extractor, Right	40	Magazine Retaining Plate
15	Extractor Pins	41	Safety Detent Plunger
16	Ejector	42	Safety Detent Plunger Spring
17	Barrel	43	Sear Spring
18	Front Sight	44	Trigger Guard
19	Trigger Guard Housing Screws	45	Safety Screw
20	Choke Assembly	46	Floorplate Insert
21	Receiver	47	Recoil Pad
22	Bolt Stop Screw	48	Buttplate Screws (18D only)
23	Recoil Lug	49	Buttplate (18D only)
24	Inner Choke Sleeve (58DAC and 18DAC only)	50	Stock with Recoil Pad
25	Indicator Spring (58DAC and 18DAC only)	51	Floorplate Screw
26	Outer Choke Sleeve (58DAC and 18DAC only)	52	Floorplate
		53	Takedown Screw
		54	Magazine Assembly

Model 77D, 77E, 77EM, 77F, 77H and 77M Series A and Springfield Model 67D, 67E, 67F and 67H Series A Slide-Action Shotgun



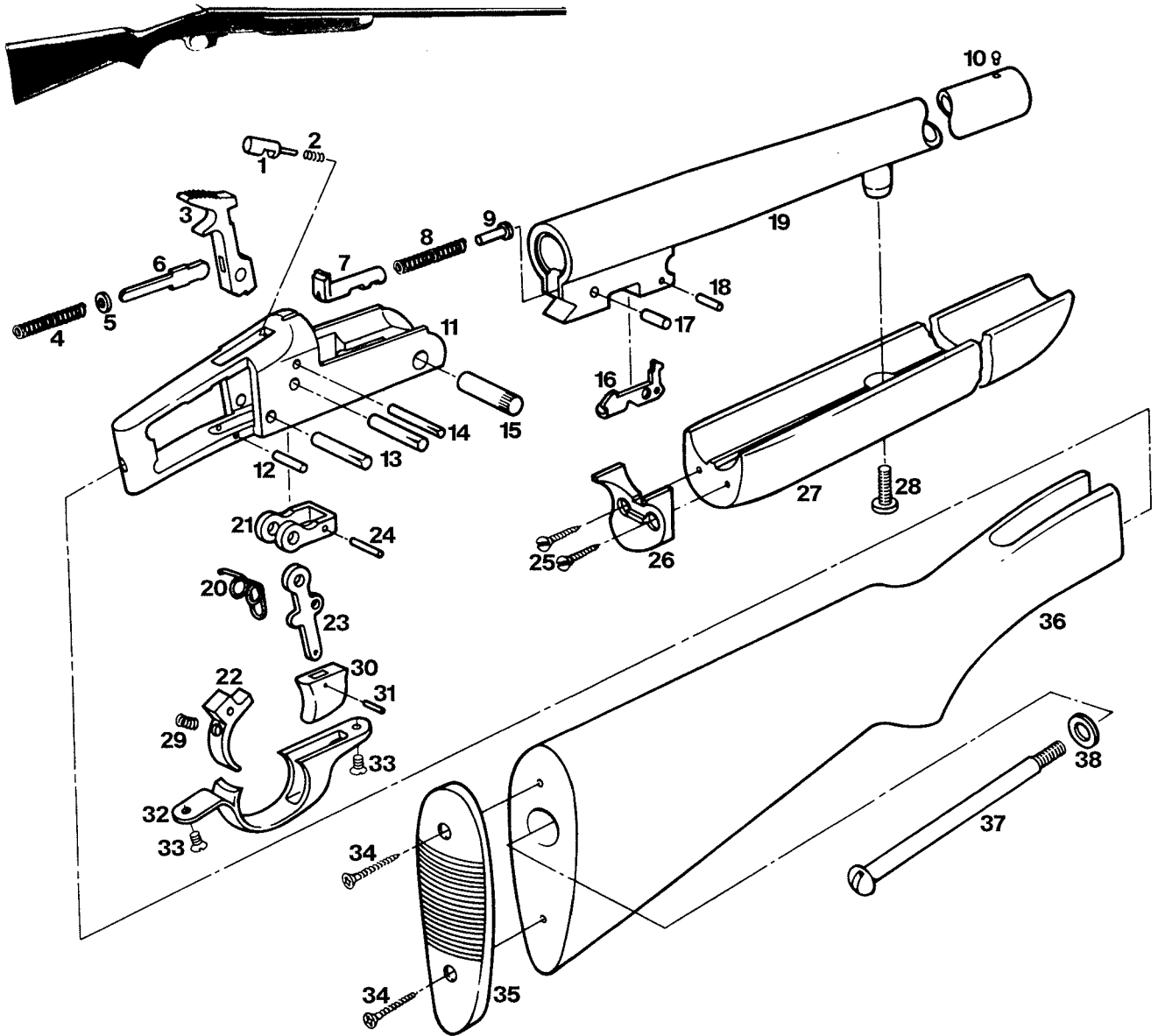
1	Firing Pin Retractor Plunger Pin	25	Cartridge Stop	50	Safety Spring Plunger
2	Firing Pin Retractor Plunger	26	Cartridge Stop Pivot Nut	51	Safety
3	Firing Pin Retractor Plunger Spring	27	Cartridge Stop Pivot Screw	52	Trigger Guard
4	Trigger Guard Screw	28	Magazine Spring	53	Trigger Adjusting Screw
5	Ejector Screw	29	Magazine Tube	54	Trigger Pin
6	Slide Assembly	30	Magazine Plug	55	Sear Pin
7	Firing Pin Stop Pin	31	Slide Lock Spring	56	Hammer Bushing
8	Firing Pin	32	Slide Lock Spring Stud	57	Lifter Spring
9	Firing Pin Spring	33	Slide Lock Assembly	58	Lifter Screw
10	Breechbolt	34	Trigger	59	Mainspring Plunger
11	Extractor Spring, Left	35	Sear Trip Spring	60	Mainspring
12	Extractor Plunger, Left	36	Sear Trip	61	Lifter Pawl
13	Extractor, Left	37	Sear Trip Pin	62	Lifter Assembly
14	Extractor Spring, Right	38	Operating Handle Collar, Rear	63	Lifter Pawl Pin
15	Extractor Plunger, Right	39	Slide Lock Release Spring	64	Magazine Follower
16	Extractor, Right	40	Sear Adjusting Screw	65	Buttplate Screws
17	Receiver	41	Trigger Spring	66	Buttplate
18	Barrel	42	Sear	67	Stock
19	Front Sight	43	Hammer	68	Stock Bolt
20	Ejector Assembly	44	Trigger Guard Pin	69	Stock Bolt Lock Washer
21	Ejector Pin	45	Operating Handle Bar Assembly	70	Stock Bolt Washer
22	Ejector Spring	46	Operating Handle	71	Recoil Weight Buffer
23	Ejector Plunger	47	Magazine Plug Screw	72	Recoil Weight
24	Slide Lock Release	48	Operating Handle Collar, Front	73	Recoil Pad
		49	Safety Spring		

Model 940, 940D, 940DY, 940E and 940EY and Springfield Model 947, 947D and 947E Single Shot Shotgun



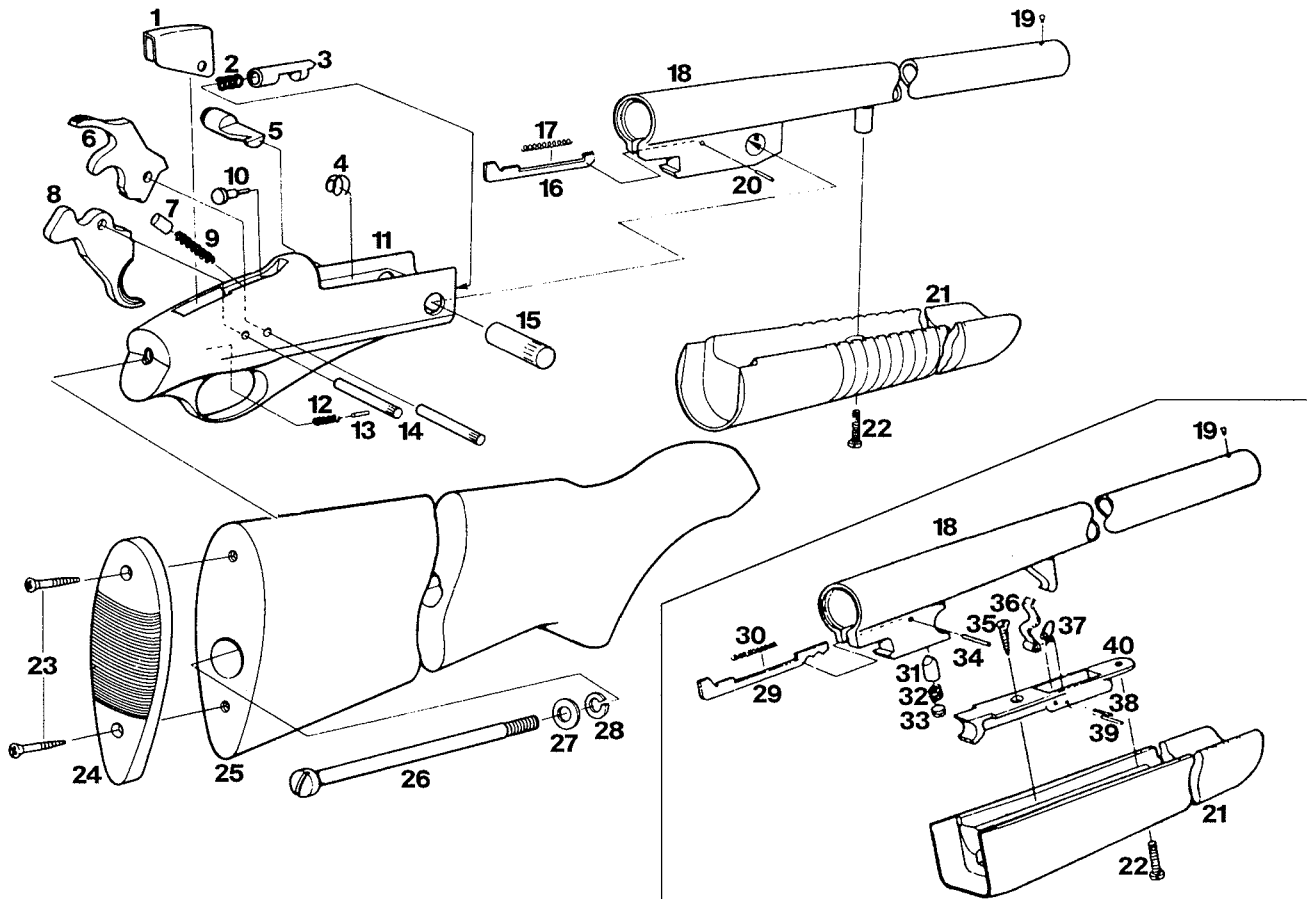
1	Firing Pin	20	Hammer Pin
2	Firing Pin Spring	21	Locking Bolt Spring
3	Frame	22	Locking Bolt
4	Side Lever	23	Locking Bolt Pin
5	Firing Pin Screw	24	Forend Screw
6	Extractor	25	Forend Iron
7	Ejector Spring	26	Forend Spring
8	Ejector Starter Pin	27	Forend Spring Spring
9	Extractor Stop Pin	28	Forend Spring Pin
10	Ejector Hook	29	Forend Spring Spring Pin
11	Extractor Lever Pin	30	Forend Wood
12	Barrel	31	Forend Iron Screw
13	Front Sight	32	Buttplate Screws
14	Trigger	33	Buttplate
15	Trigger Spring	34	Stock
16	Hammer Spring	35	Stock Bolt
17	Hammer	36	Stock Bolt Lock Washer
18	Trigger Guard	37	Stock Bolt Washer
19	Trigger Pin		

Model 9478 Single Shot Shotgun



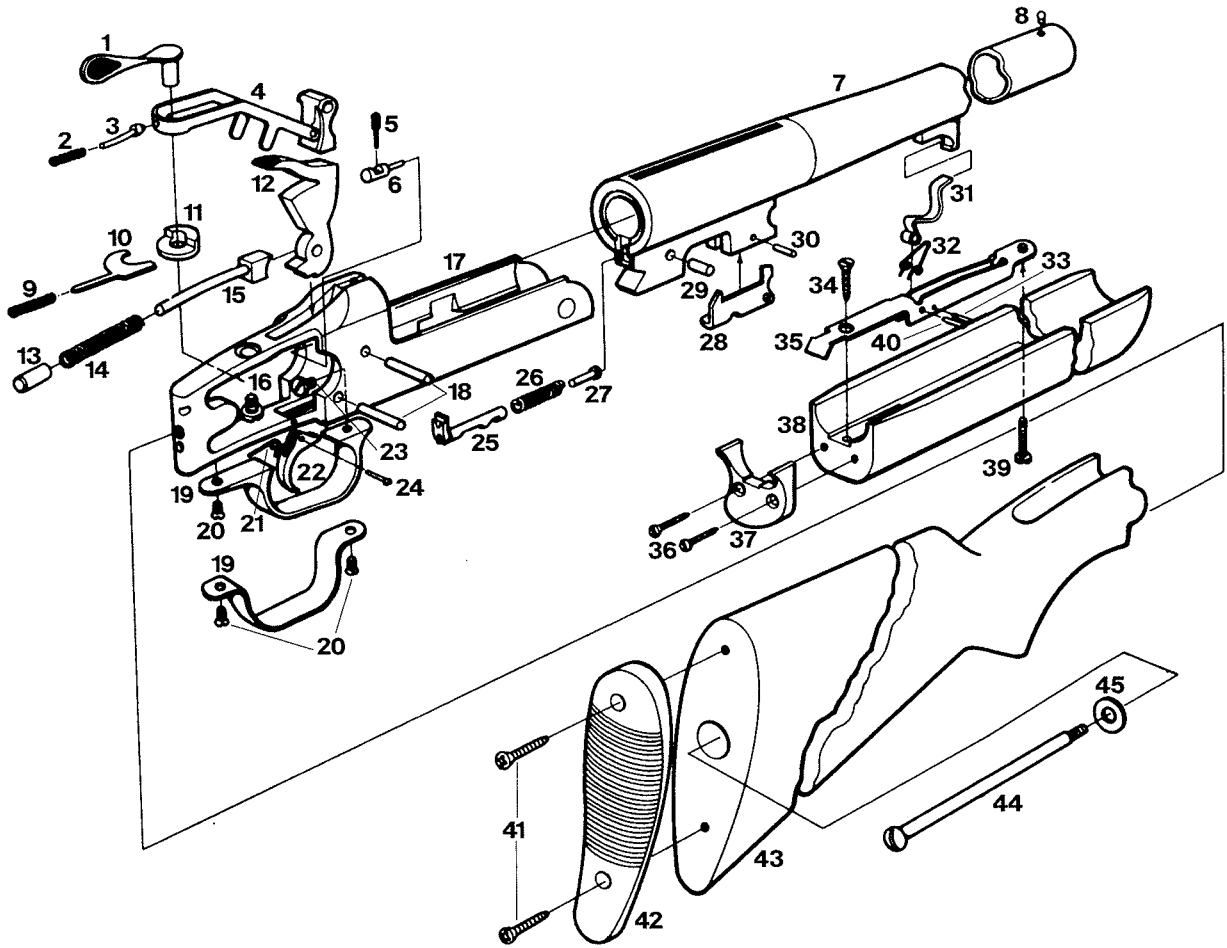
1	Firing Pin	15	Joint Pin	29	Trigger Spring
2	Firing Pin Spring	16	Ejector Hook	30	Release Button
3	Hammer	17	Extractor Stop Pin	31	Release Button Pin
4	Mainspring	18	Extractor Lever Spring/Stop Pin	32	Trigger Guard
5	Breechbolt Spring Washer	19	Barrel	33	Trigger Guard Screws
6	Mainspring Plunger	20	Locking Bolt Spring	34	Buttplate Screws
7	Extractor	21	Locking Bolt	35	Buttplate
8	Ejector Spring	22	Trigger	36	Stock Assembly
9	Ejector Starter Pin	23	Locking Bolt Arm	37	Stock Bolt
10	Front Sight	24	Locking Bolt Arm Pin	38	Stock Bolt Washer
11	Frame	25	Forend Head Screws	Parts Not Shown	
12	Trigger Pin	26	Forend Pivot Plate	Recoil Pad	
13	Locking Bolt/Hammer Pin	27	Forend Wood	Recoil Weight	
14	Firing Pin Retaining Pin	28	Forend Screw	Recoil Weight Buffer	

Model 95, Savage M-96 and Sears 101.100 Single Shot Shotgun



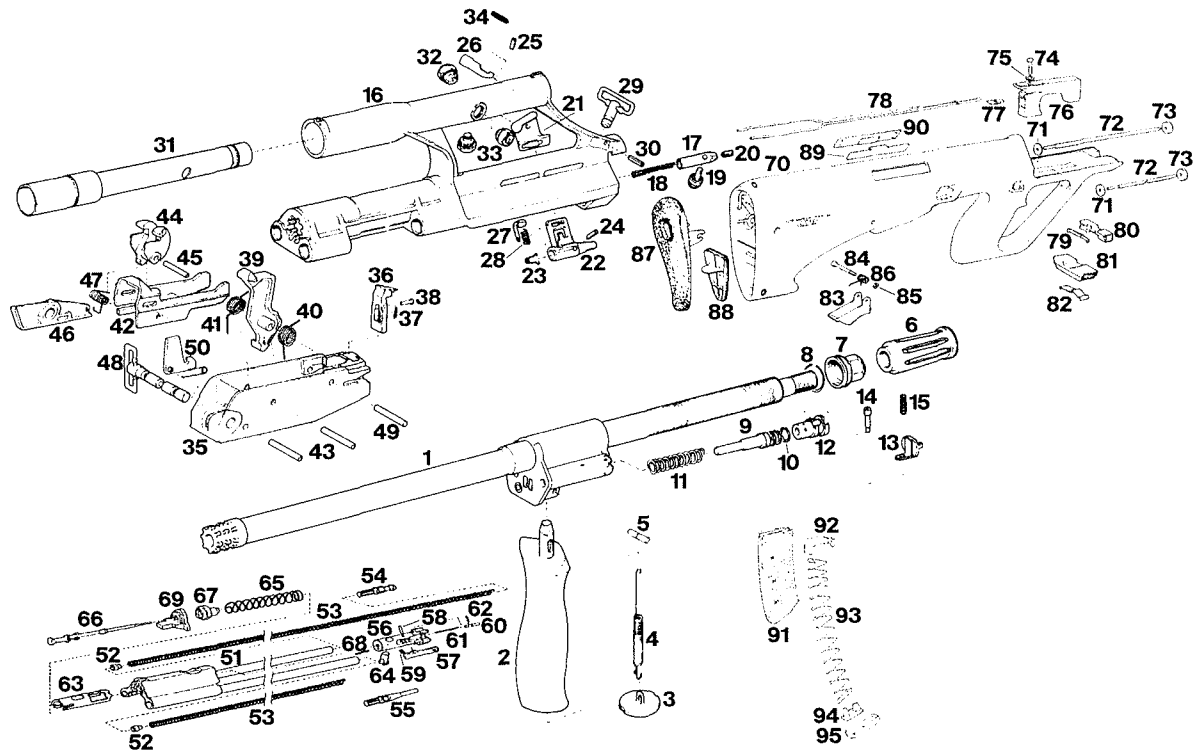
1	Cover Plate	24	Buttplate
2	Lock Spring	25	Stock
3	Lock	26	Stock Bolt
4	Lock Release Spring	27	Stock Bolt Washer
5	Lock Release	28	Stock Bolt Lock Washer
6	Hammer	Models 96 and 101.100	
7	Mainspring Plunger	29	Ejector
8	Trigger	30	Ejector Spring
9	Mainspring	31	Ejector Sear
10	Firing Pin	32	Ejector Sear Spring
11	Frame	33	Ejector Screw
12	Trigger Spring	34	Ejector Pin
13	Trigger Spring Plunger	35	Forend Iron Screw
14	Trigger Pin or Hammer Pins	36	Forend Spring
15	Joint Pin	37	Forend Spring Spring
16	Extractor	38	Forend Spring Pin
17	Extractor and Ejector Spring	39	Forend Spring Spring Pin
18	Barrel	40	Forend Iron
19	Front Sight	Parts Not Shown	
20	Extractor and Ejector Spring Pin		Ejector Activating Pin
21	Forend Wood		Firing Pin Spring
22	Forend Screw		Joint Locating Pin
23	Buttplate Screws		

Model 94B, 94BT, 94C, 94Y, 107, 107BT and 107C Single Shot Shotgun



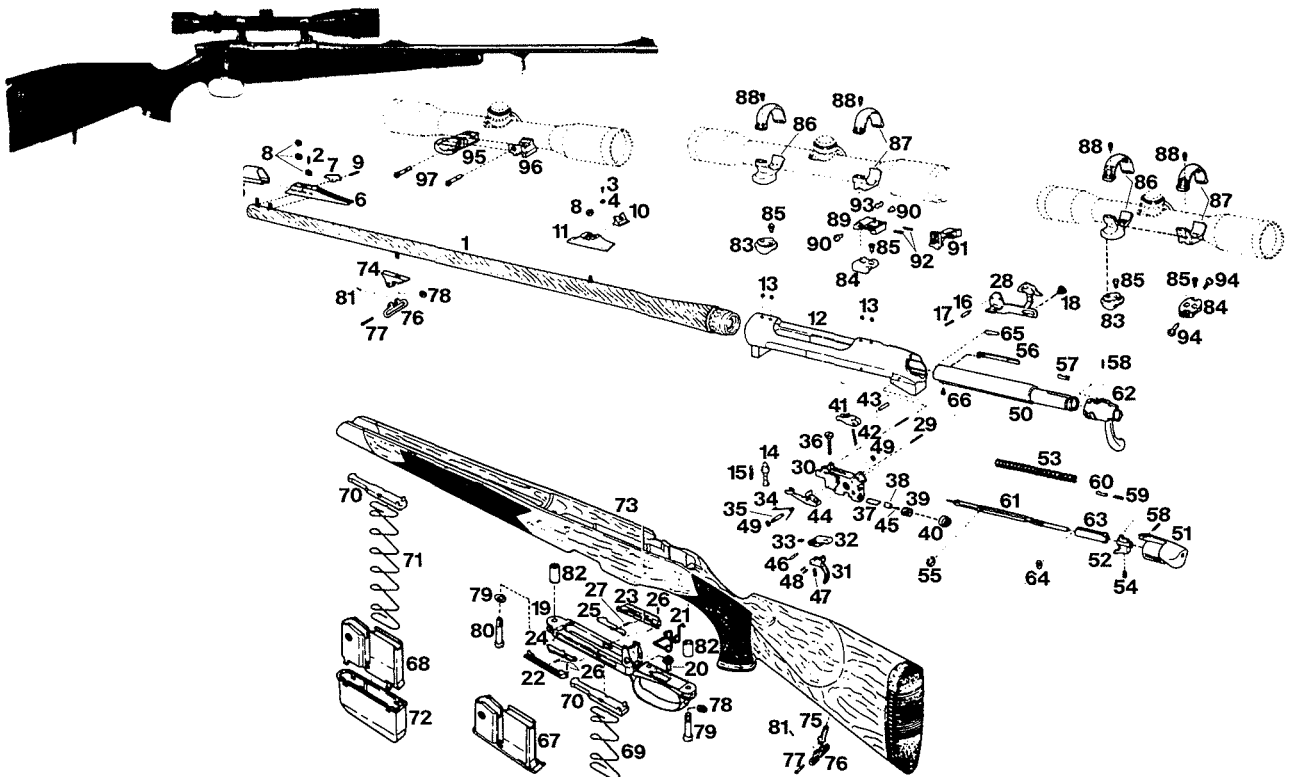
1	Top Snap	24	Trigger Pin
2	Locking Bolt Spring	25	Extractor
3	Locking Bolt Plunger	26	Ejector Spring
4	Locking Bolt Assembly	27	Ejector Starter Pin
5	Firing Pin Screw	28	Ejector Hook
6	Firing Pin	29	Extractor Stop Pin
7	Barrel	30	Extractor Lever Pin
8	Front Sight	31	Forend Spring
9	Top Snap Plunger Spring	32	Forend Spring Spring
10	Top Snap Plunger	33	Forend Spring Spring Pin
11	Top Snap Sleeve	34	Forend Spring Housing Screw
12	Hammer	35	Forend Spring Housing
13	Mainspring Plunger Seat	36	Forend Iron Head Screws
14	Mainspring	37	Forend Iron Head
15	Mainspring Plunger Assembly	38	Forend
16	Top Snap Screw	39	Forend Screw
17	Frame	40	Forend Spring Pin
18	Hammer Pins	41	Buttplate Screws
19	Trigger Guard	42	Buttplate
20	Trigger Guard Screws	43	Stock
21	Trigger Spring	44	Stock Bolt
22	Trigger	45	Stock Bolt Washer
23	Top Snap Screw		

AUG Autoloading Rifle



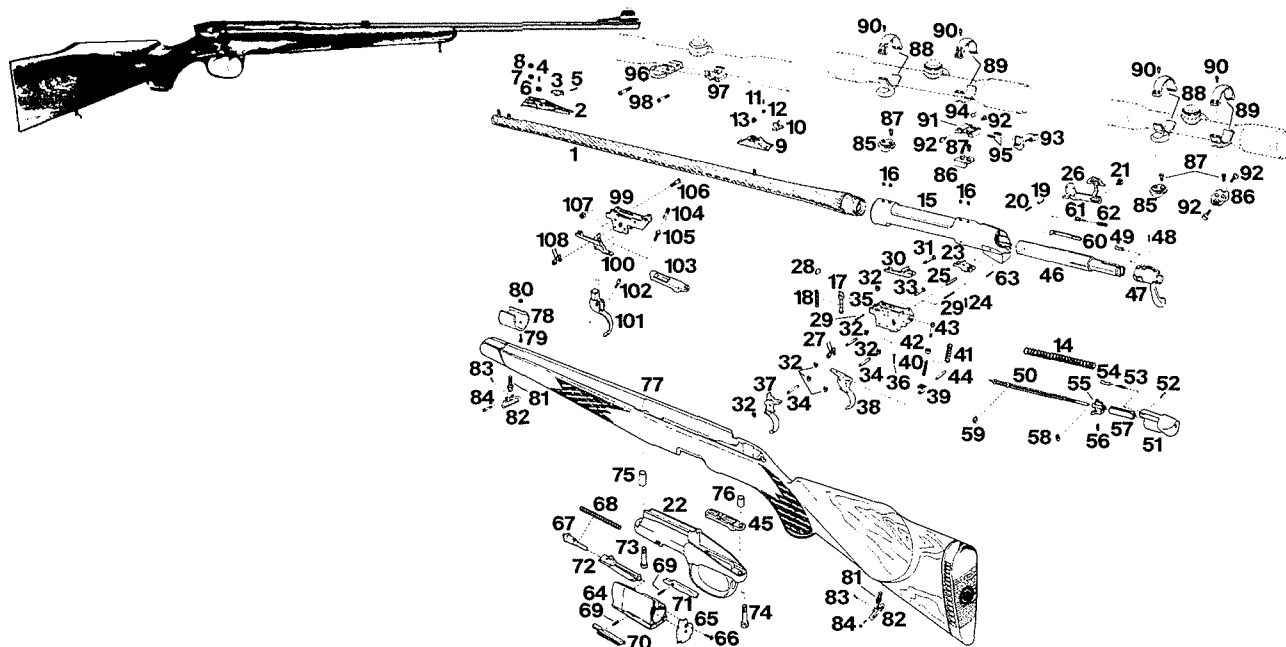
1	Barrel	33	Elevating and Windage Adjustment Screws	66	Firing Pin
2	Barrel Grip	34	Cocking Slide Knob Spring	67	Bolt Spring Sleeve
3	Barrel Grip Cap	35	Trigger Housing	68	Control Bolt Pin
4	Barrel Grip Spring	36	Lock Bolt Catch	69	Cocking Piece
5	Barrel Grip Pin	37	Lock Bolt Catch Spring	70	Stock
6	Flash Hider	38	Lock Bolt Catch Bolt	71	Buffer Plates
7	Flash Hider Nut	39	Hammer	72	Buffer Guide Rods
8	Flash Hider Nut Spring	40	Hammer Spring, Right	73	Buffers
9	Gas Piston	41	Hammer Spring, Left	74	Sear Lever Cap Screw
10	Gas Piston Ring	42	Slide	75	Sear Lever Cap Screw Washer
11	Gas Piston Spring	43	Pivot Pins	76	Trigger
12	Gas Plug Head	44	Disconnecter Lever	77	Trigger Nut
13	Gas Plug Pressure Piece	45	Disconnecter Lever Pin	78	Sear Lever
14	Gas Plug Plunger	46	Retaining Bolt Lock	79	Safety Button Spring
15	Gas Plug Spring	47	Trigger Spring	80	Safety Button
16	Receiver	48	Sling Swivel	81	Housing Latch
17	Barrel Lock Pin	49	Hammer Pivot Pin	82	Housing Latch Spring
18	Barrel Lock Pin Spring	50	Drop Safety	83	Magazine Release Button Screw
19	Barrel Locking Catch	51	Slide Piece Body	84	Magazine Release Button Screw Nut
20	Barrel Locking Catch Retaining Screw	52	Lock Spring Plunger	85	Magazine Release Button Spring
21	Cocking Slide Knob	53	Lock Spring	86	Magazine Release Button
22	Cocking Slide Body	54	Lock Spring Follower, Left	87	Buttplate
23	Cocking Slide Spring	55	Lock Spring Follower, Right	88	Cleaning Kit Compartment Lid
24	Cocking Slide Adaptor Sleeve	56	Right Ejection Bolt	89	Inner Ejection Port Cover
25	Cocking Slide Grip Adaptor Sleeve	57	Extractor	90	Outer Ejection Port Cover
26	Cocking Slide Grip Knob	58	Extractor Pin	91	Magazine Body
27	Cocking Slide Coupling Piece	59	Extractor Spring	92	Follower
28	Coupling Piece Spring	60	Ejector	93	Magazine Spring
29	Sling Swivel	61	Ejector Spring	94	Magazine Spring Lock
30	Sling Swivel Pin	62	Ejector Pin	95	Magazine Floorplate
31	Optical Tube	63	Locking Piece		
32	Optical Tube Retaining Screw	64	Control Bolt		
		65	Bolt Spring		

Luxus Model L and M Bolt-Action Rifle



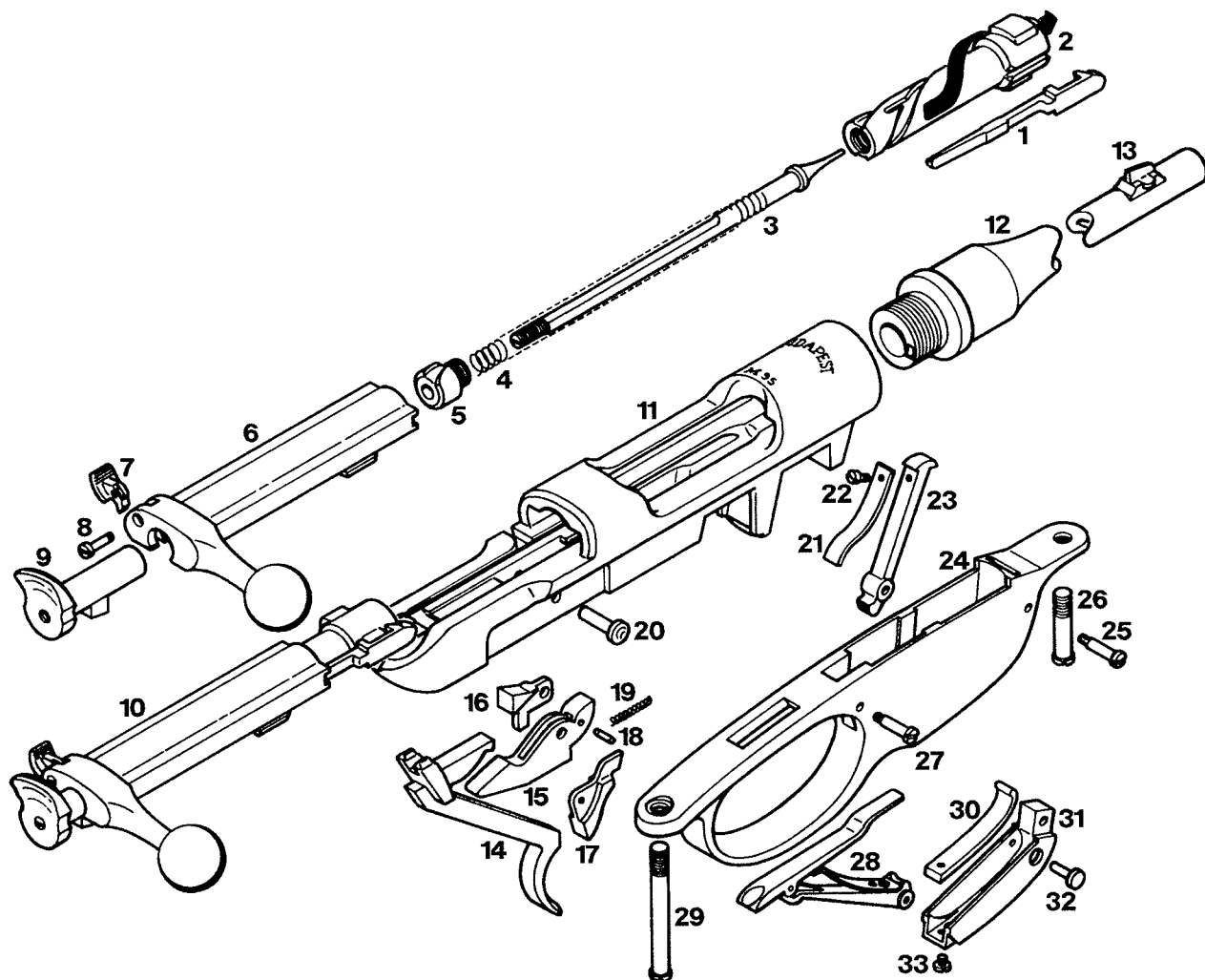
1	Barrel	32	Rocker	65	Ejector
2	Front Sight Blade Spring	33	Safety Screw	66	Ejector Screw
3	Rear Sight Screw	34	Spring	67	Magazine Body (3-shot)
4	Rear Sight Screw Lock Washer	35	Pin	68	Magazine Body (6-shot)
5	Front Sight Hood	36	Trigger Adjusting Screw	69	Magazine Spring (3-shot)
6	Front Sight Ramp	37	Leaf Spring	70	Magazine Follower
7	Front Sight Blade	38	Bolt Spring	71	Magazine Spring (6-shot)
8	Nuts	39	Screw	72	Magazine Extension (6-shot)
9	Front Sight Blade Pin	40	Nut	73	Stock
10	Rear Sight Leaf	41	Sear	74	Swivel Base
11	Rear Sight Base	42	Sear Spring	75	Rear Swivel Base
12	Receiver	43	Sear Pivot	76	Sling Swivels
13	Scope Mount Filler Screws	44	Sear Lever	77	Swivel Pivot Screws
14	Stop bolt	45	Spring	78	Swivel Pivot Nut
15	Bolt Stop Spring	46	Rocker Pivot	79	Front Guard Screw Washer
16	Safety Catch Detent	47	Blanking Screw	80	Front Guard Screw
17	Safety Catch Detent Spring	48	Trigger Pins	81	Swivel Pivot Spring Washers
18	Safety Catch Slide Retaining Screw	49	Circlip	82	Front Guard Screw Spacers
19	Trigger Guard	50	Bolt Body	83	Front Scope Mount Base
20	Trigger Guard Pin	51	Bolt End Cap	84	Rear Scope Mount Base
21	Magazine Catch Spring	52	Bolt Guide	85	Scope Mount Base Screws
22	Left Magazine Catch Button	53	Mainspring	86	Front Scope Rings
23	Right Magazine Catch Button	54	Blanking Screw	87	Rear Scope Rings
24	Left Magazine Catch	55	Striker Circlip	88	Scope Ring Screws
25	Right Magazine Catch	56	Extractor	89	Windage Base
26	Blanking Screws	57	Bolt Handle Key	90	Windage Dovetail Screws
27	Spring	58	Bolt Handle Pin	91	Windage Slide
28	Safety Catch Slide	59	Striker Sleeve Spring	92	Windage Slide Springs
29	Trigger Housing Pins	60	Striker Sleeve Spring Plunger	93	Windage Slide Spring Key
30	Trigger Housing	61	Striker	94	Windage Screws
31	Trigger	62	Bolt Handle	95	Front Mounting Rail Base
		63	Striker Sleeve	96	Rear Mounting Rail Base
		64	Striker Sleeve Spacer	97	Mounting Rail Screws

Model M, SL, L, S and S/T Bolt-Action Rifle



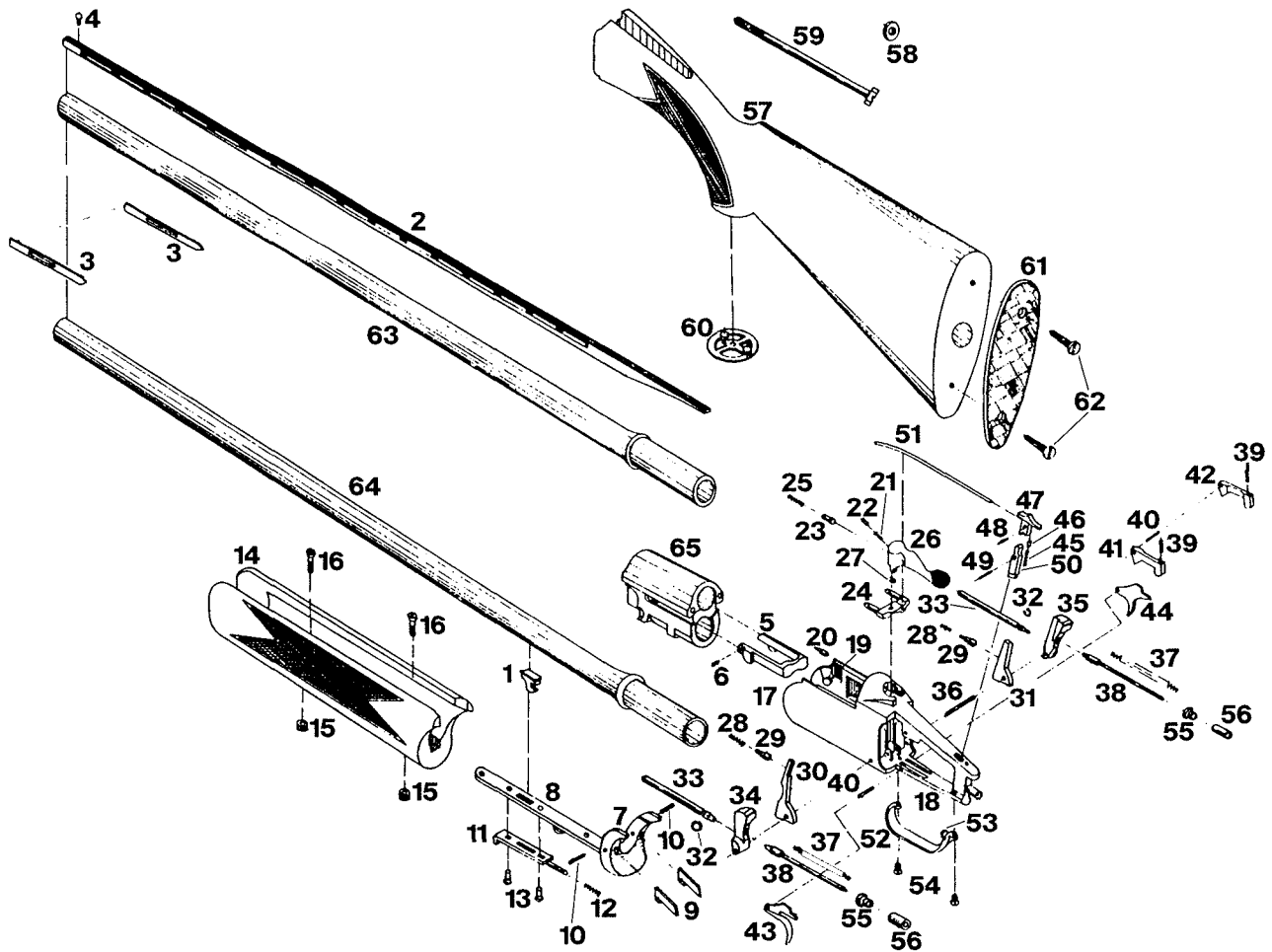
1	Barrel	39	Trigger Coupling Link	76	Rear Trigger Guard Screw Bushing
2	Front Sight Ramp	40	Internal Set Trigger Spring	77	Stock
3	Front Sight Blade	41	External Set Trigger Spring	78	Forend Tip
4	Front Sight Blade Spring	42	Trigger Coupling Link Spacer	79	Forend Tip Screw
5	Front Sight Pin	43	Locking Screw	80	Forend Tip Screw Nut
6	Front Sight Blade Spring Nut	44	Trigger Coupling Pin	81	Sling Swivel Stud
7	Front Sight Ramp Washer	45	Set Trigger Insert	82	Sling Swivel
8	Front Sight Ramp Nut	46	Bolt Body	83	Swivel Spring Washer
9	Rear Sight Base	47	Bolt Handle	84	Sling Swivel Screw
10	Rear Sight Blade	48	Bolt Handle Pin	85	Front Scope Mount Base
11	Rear Sight Screw	49	Bolt Handle Key	86	Rear Scope Mount Base
12	Clamp Ring	50	Striker	87	Scope Mount Base Screws
13	Rear Sight Base Nut	51	Bolt End Cap	88	Front Scope Rings
14	Mainspring	52	Bolt End Cap Pin	89	Rear Scope Rings
15	Receiver	53	Bolt End Cap Detent Spring	90	Scope Ring Screws
16	Scope Mount Filler Screws	54	Bolt End Cap Detent	91	Windage Base
17	Bolt Stop	55	Bolt Guide	92	Windage Base Screws
18	Bolt Stop Spring	56	Blanking Screw	93	Rear Scope Mount Slide
19	Safety Catch Detent	57	Bolt Guide Sleeve	94	Windage Slide Spring
20	Safety Catch Defent Spring	58	Bolt Guide Washer	95	Rear Mount Slide Springs
21	Safety Catch Retaining Screw	59	Striker Circlip	96	Front Mounting Rail Base
22	Trigger Guard	60	Extractor	97	Rear Mounting Rail Base
23	Sear	61	Ejector	98	Dovetail Base Screws
24	Sear Spring	62	Ejector Spring	99	Standard Trigger Housing
25	Sear Pin	63	Ejector Pin	100	Standard Trigger Sear Lever
26	Safety Catch Slide	64	Magazine Body	101	Single Trigger
27	Trigger Return Spring	65	Magazine End Cap	102	Standard Trigger Set Screw
28	Slide Leaf	66	Magazine End Cap Screw	103	Standard Trigger Housing Insert
29	Trigger Housing Pins	67	Magazine Rotor Axis Pin	104	Standard Trigger Spring
30	Set Trigger Sear Lever	68	Magazine Follower Spring	105	Standard Trigger Adjusting Screw
31	Set Trigger Sear Lever Pin	69	Magazine Catch Spring	106	Standard Trigger Eccentric Screw
32	Circlips	70	Left Magazine Catch	107	Standard Trigger Eccentric Screw Nut
33	Trigger Stop Pin	71	Right Magazine Catch	108	Standard Trigger Return Spring
34	Trigger Pins	72	Magazine Follower		
35	Trigger Housing	73	Front Trigger Guard Screw		
36	Trigger Adjusting Screw	74	Rear Trigger Guard Screw		
37	Standard Trigger	75	Front Trigger Guard Screw Bushing		
38	Set Trigger				

Model 1895 Straight-Pull Rifle



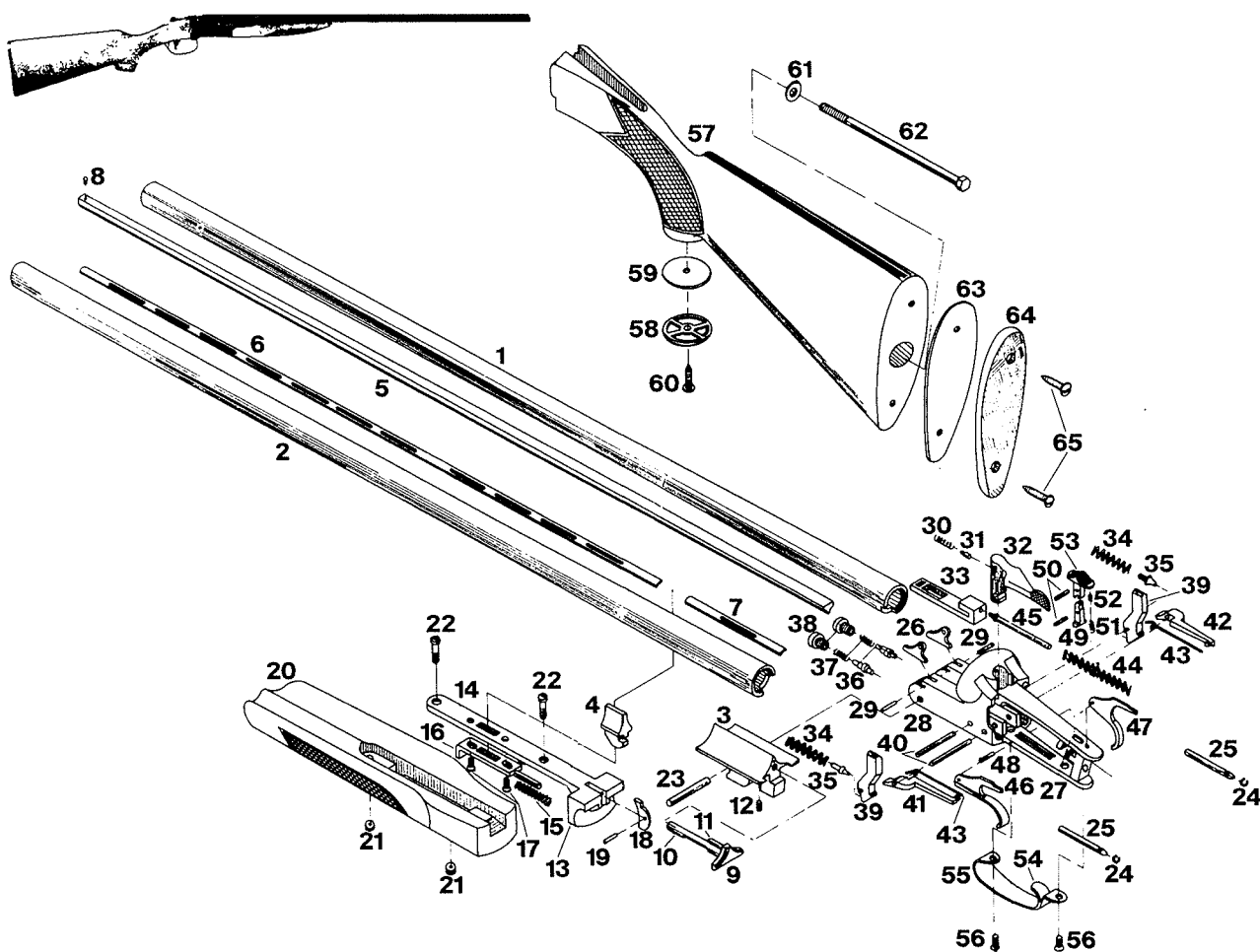
1	Extractor	18	Ejector Pin
2	Bolt Head	19	Sear Spring
3	Firing Pin	20	Sear Pin
4	Firing Pin Spring	21	Clip Latch Spring
5	Firing Pin Spring Retainer	22	Clip Latch Spring Screw
6	Bolt Body	23	Clip Latch
7	Safety	24	Trigger Guard
8	Safety Screw	25	Magazine Floorplate Screw
9	Cocking Piece	26	Front Guard Screw
10	Bolt Assembly	27	Clip Latch Screw
11	Receiver	28	Magazine Follower Assembly
12	Barrel	29	Rear Guard Screw
13	Front Sight	30	Magazine Spring
14	Trigger and Bolt Stop	31	Magazine Floorplate
15	Sear Lever	32	Follower Pivot Pin
16	Sear	33	Magazine Spring Screw
17	Ejector		

Condor I and II Over/Under Shotgun



1	Forend Iron Catch	23	Top lever Spring Plunger	45	Safety Spring
2	Top Ventilated Rib	24	Top Lever Lock Fastener	46	Safety Limit Pin
3	Ventilated Side Ribs	25	Top Lever Spring	47	Safety Catch
4	Front Sight	26	Top Lever	48	Safety Catch Pins
5	Extractor	27	Top Lever Retaining Pin	49	Safety Catch Lever Pin
6	Extractor Limiter Screw	28	Firing Pin Springs	50	Safety Catch Lever
7	Forend Iron Assembly	29	Firing Pins	51	Safety Bar
8	Forend Bar	30	Top Firing Pin Plunger	52	Trigger Guard
9	Ejector Levers	31	Bottom Firing Pin Plunger	53	Trigger Guard Internal Arch
10	Ejector Lever Pins	32	Cocking Lever Rings	54	Trigger Guard Screws
11	Forend Latch	33	Cocking Levers	55	Hammer Spring Guide Bushings
12	Forend Latch Spring	34	Left Hammer	56	Hammer Spring Guide Limiter
13	Forend Latch Screws	35	Right Hammer		Nuts
14	Forend	36	Hammer Pin	57	Stock
15	Forend Iron Nuts	37	Hammer Springs	58	Stock Bolt Washer
16	Forend Iron Screws	38	Hammer Spring Guides	59	Stock Bolt
17	Frame	39	Sear Springs	60	Grip Cap
18	Lower Tang	40	Sear and Trigger Pins	61	Buttplate
19	Trunnion Pin	41	Left Sear	62	Buttplate Screws
20	Top Lever Release Pin	42	Right Sear	63	Upper Barrel
21	Top Lever Pin Spring	43	Left Trigger	64	Lower Barrel
22	Top Lever Pin	44	Right Trigger	65	Barrel Monoblock

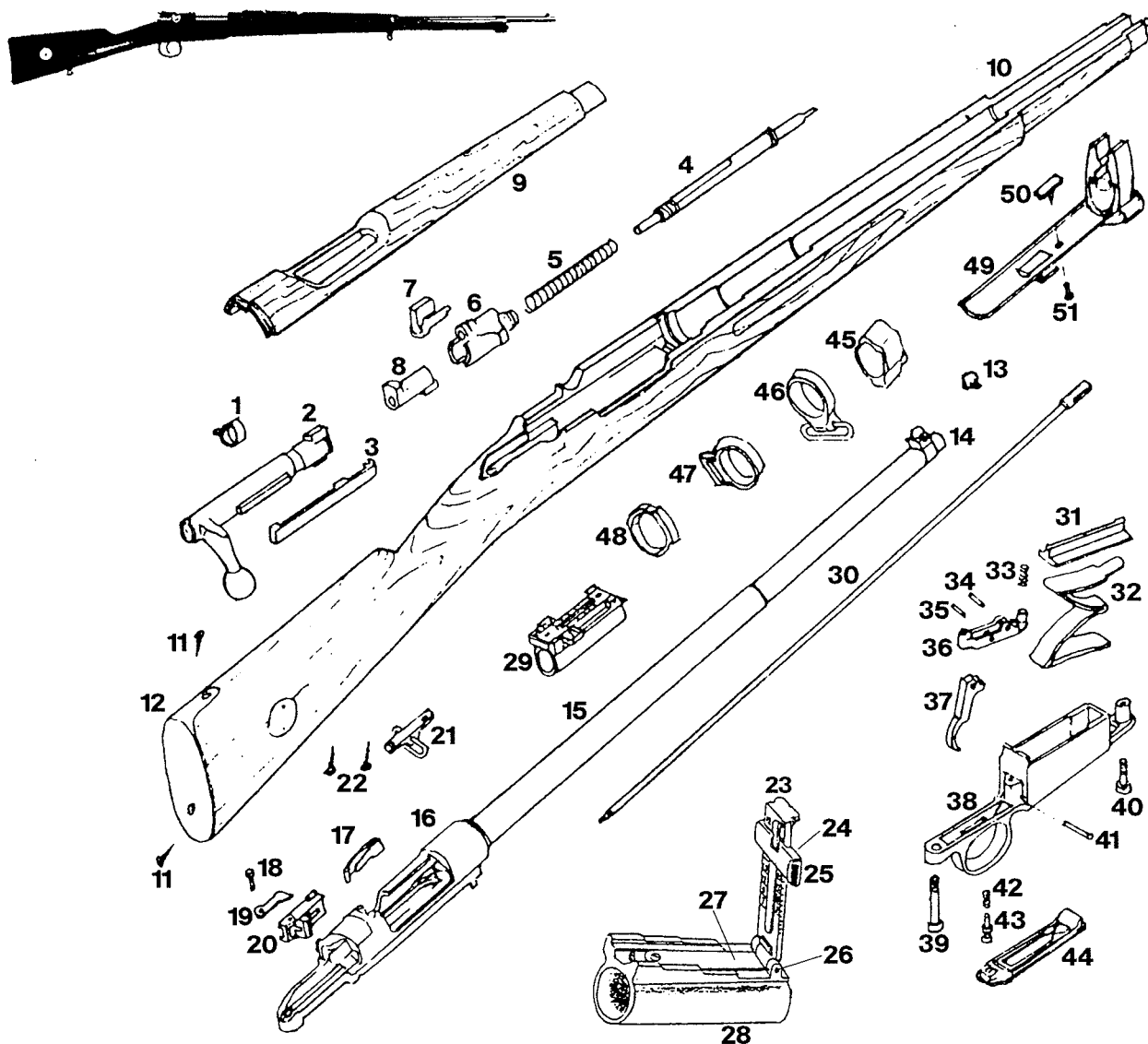
Uplander and Coachgun Side-by-Side Shotgun



1	Right Barrel	23	Hinge Pin	45	Top Lever Spring Guide
2	Left Barrel	24	Cocking Lever Rod Circlips	46	Left Trigger
3	Forend Latch Supporting Piece	25	Cocking Lever Rods	47	Right Trigger
4	Forend Iron Catch	26	Cocking Levers	48	Trigger Pin
5	Top Rib	27	Lower Tang	49	Trigger Lock Lever
6	Long Bottom Rib	28	Frame	50	Trigger Lock Lever Pins
7	Short Bottom Rib	29	Cocking Lever Pins	51	Trigger Lock Spring
8	Front Sight	30	Top Lever Lock Spring	52	Trigger Lock Ball Pin
9	Extractor	31	Top Lever Lock Pin	53	Safety-Lever
10	Extractor Pin	32	Top Lever	54	Trigger Guard Arch
11	Extractor Guide Pin	33	Latch Lock	55	Trigger Guard
12	Extractor Limit Screw	34	Hammer Springs	56	Trigger Guard Screws
13	Forend Iron	35	Hammer Spring Plungers	57	Stock
14	Forend Bar	36	Firing Pins	58	Grip Cap
15	Forend Iron Spring	37	Firing Pin Springs	59	Grip Cap Spacer
16	Forend Latch	38	Firing Pin Bushings	60	Grip Cap Screw
17	Forend Iron Screws	39	Hammers	61	Stock Bolt Washer
18	Extractor Lever	40	Hammer Pins	62	Stock Bolt
19	Extractor Lever Pin	41	Left Sear	63	Buttplate Spacer
20	Forend	42	Right Sear	64	Buttplate
21	Forend Iron Fastening Nuts	43	Sear Springs	65	Buttplate Screws
22	Forend Lock Screws	44	Top Lever Spring		

SWEDISH MAUSER

Model 94 and 96 Bolt-Action Rifle



- 1 Extractor Collar
- 2 Bolt Body
- 3 Extractor
- 4 Firing Pin
- 5 Firing Pin Spring
- 6 Bolt Sleeve
- 7 Safety
- 8 Cocking Piece
- 9 Handguard
- 10 Stock
- 11 Buttplate Screws
- 12 Buttplate
- 13 Front Sight
- 14 Front Sight Band
- 15 Barrel
- 16 Receiver
- 17 Ejector Spring and Cover
- 18 Ejector Screw
- 19 Ejector
- 20 Ejector and Bolt Release Housing

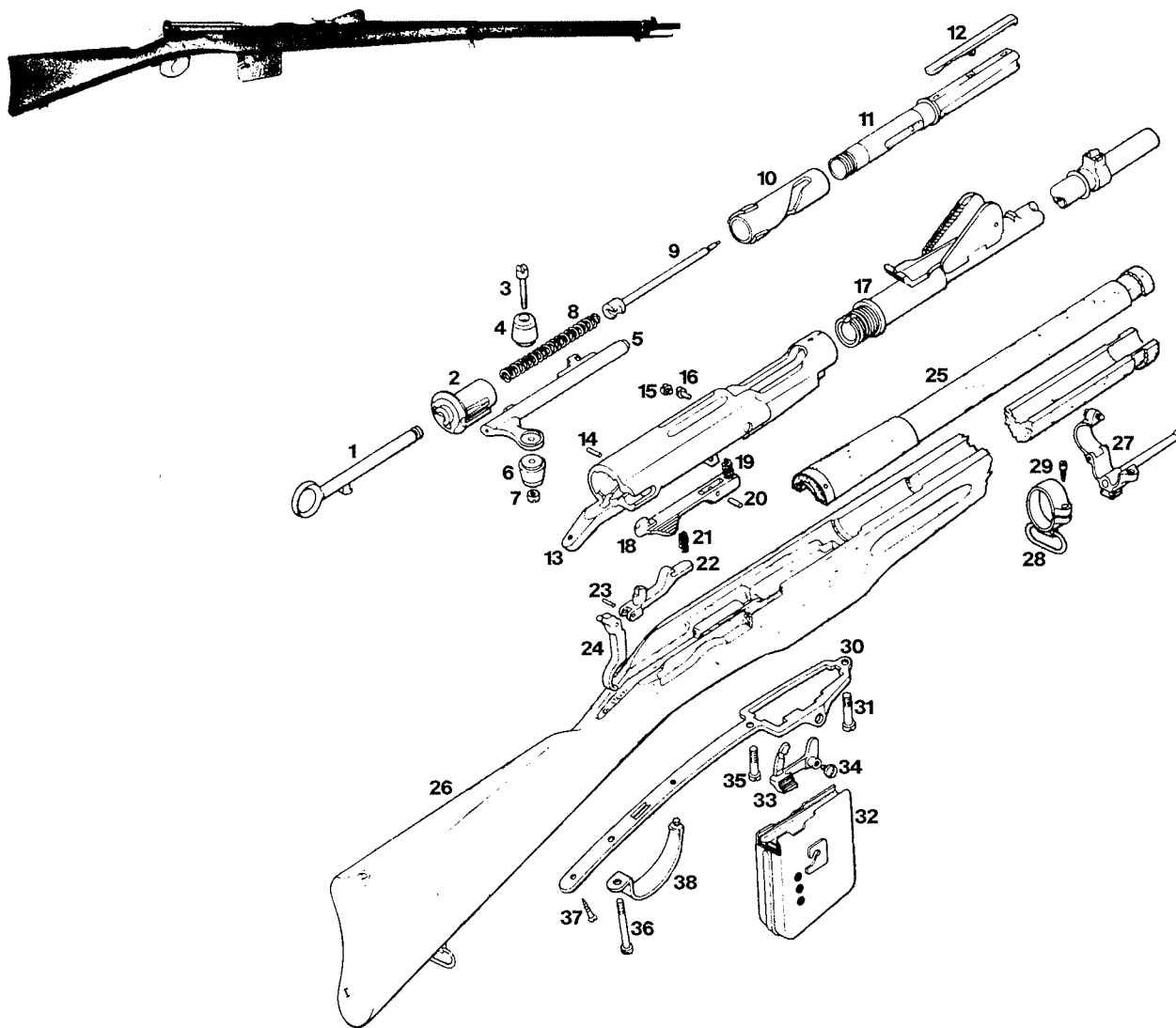
- 21 Rear Sling Swivel
- 22 Rear Swivel Screws
- 23 Rear Sight Ladder
- 24 Rear Sight Slide
- 25 Rear Sight Slide Catch
- 26 Rear Sight Ladder Pivot
- 27 Rear Sight Ladder Spring
- 28 Rear Sight Base
- 29 Rear Sight Assembly
- 30 Cleaning Rod (Mod. 96)
- 31 Magazine Follower
- 32 Magazine Follower Spring
- 33 Sear Spring
- 34 Sear Pin
- 35 Trigger Pin
- 36 Sear
- 37 Trigger
- 38 Trigger Guard
- 39 Rear Guard Screw
- 40 Front Guard Screw

- 41 Floor Plate Catch Pin
- 42 Floor Plate Catch Spring
- 43 Floor Plate Catch
- 44 Floor Plate
- 45 Front Barrel Band (Mod. 96)
- 46 Rear Barrel Band (Mod. 96)
- 47 Front Barrel Band (Mod. 94)
- 48 Rear Barrel Band (Mod. 94)
- 49 Nose Cap (Mod. 94)
- 50 Nose Cap Nut (Mod. 94)
- 51 Nose Cap Screw (Mod. 94)

Parts Not Shown

- Barrel Band Spring
- Bayonet Stud Spacer (Mod. 96)
- Bayonet Stud Spacer Pin (Mod. 96)
- Cleaning Rod Stud (Mod. 96)
- Rear Guard Screw Bushing

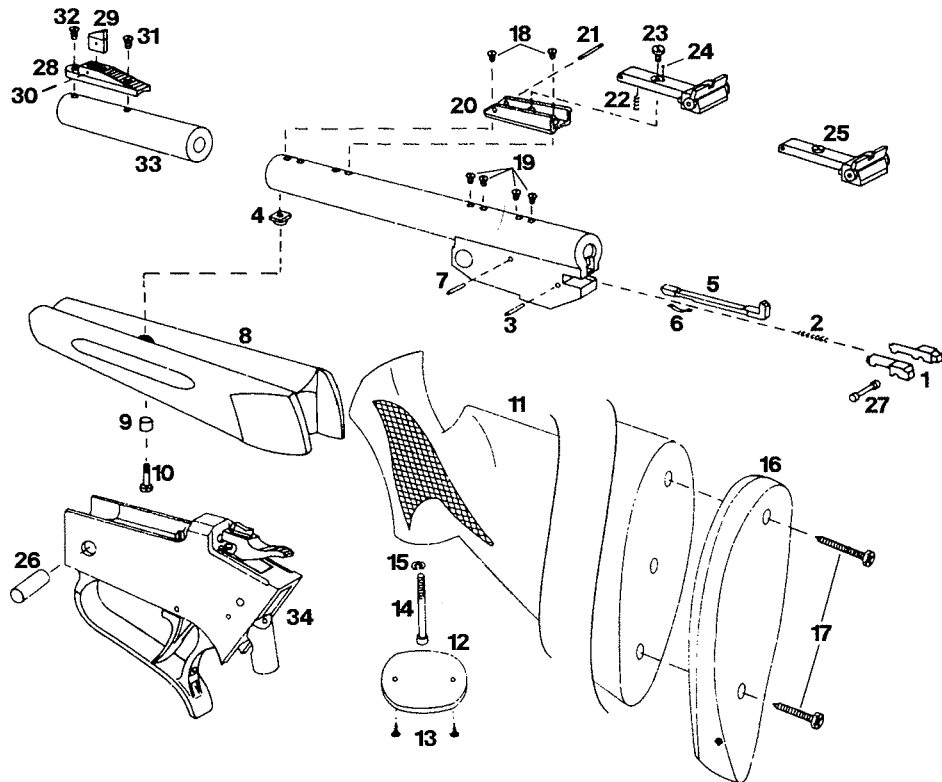
Model 1889 Straight-Pull Rifle



1	Cocking Piece	20	Bolt Stop Pin
2	Bolt Plug	21	Trigger Spring
3	Bolt Knob Screw	22	Sear Arm
4	Upper Bolt Knob	23	Trigger Pin
5	Bolt Cam Follower Rod	24	Trigger
6	Lower Bolt Knob	25	Upper Handguard
7	Knob Nut	26	Stock
8	Firing Pin Spring	27	Front Band
9	Firing Pin	28	Rear Band
10	Bolt Locking Sleeve	29	Band Screw
11	Bolt	30	Trigger and Magazine Plate
12	Extractor	31	Front Plate Screw
13	Receiver	32	Magazine
14	Sear Hinge Pin	33	Magazine Cut-Off
15	Ejector Lock Screw	34	Magazine Cut-Off Screw
16	Ejector	35	Middle Plate Screw
17	Barrel	36	Rear Guard Screw
18	Bolt Stop	37	Trigger Plate Screw
19	Bolt Stop Spring	38	Trigger Guard

THOMPSON/CENTER

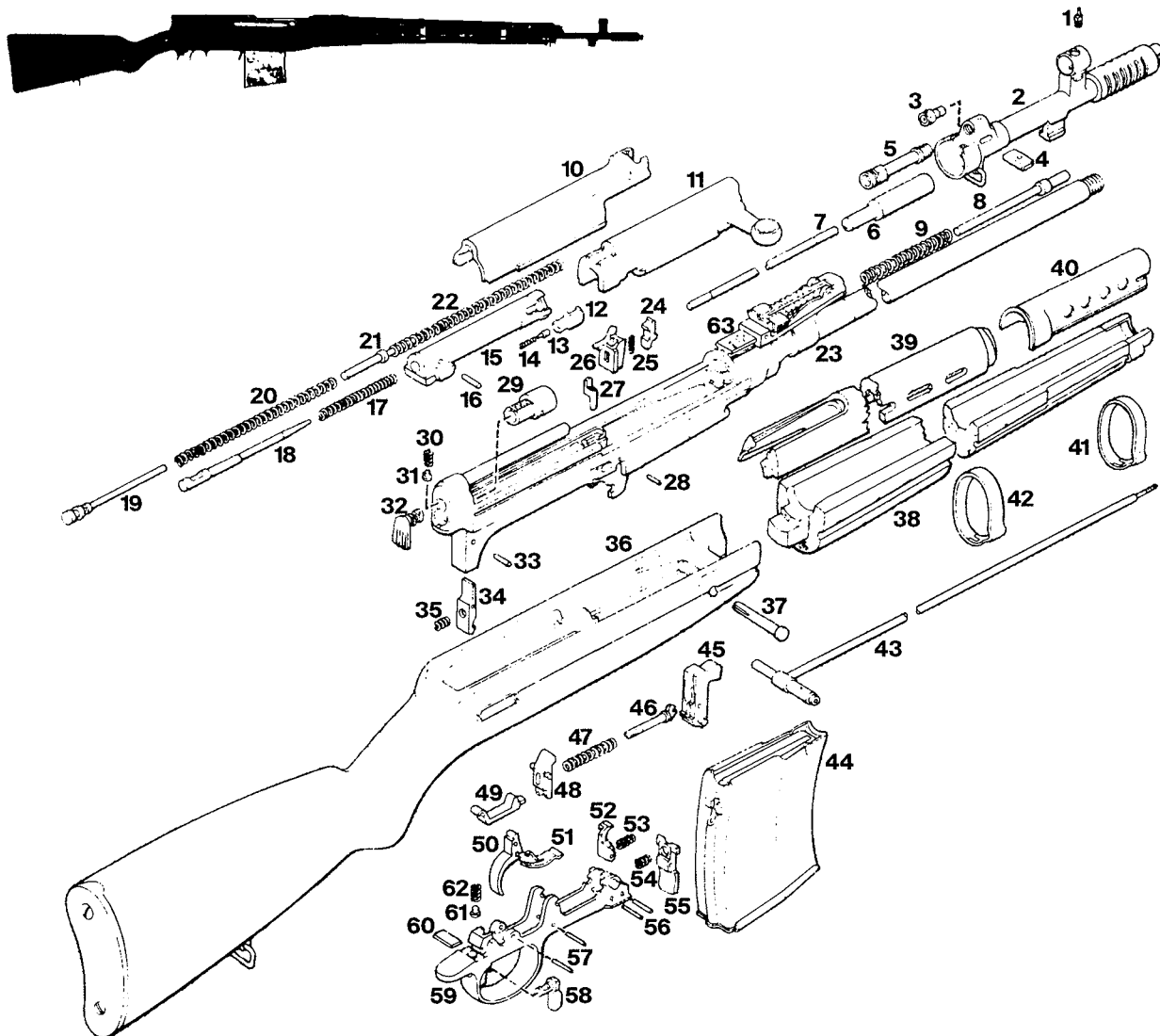
Contender Single Shot Carbine



1	Two Piece Bolt	18	Rear Sight Mounting Screws
2	Bolt Spring	19	Filler Screws
3	Bolt Stop Pin	20	Rear Sight Base
4	Dovetail Lock	21	Rear Sight Serial Pivot Pin
5	Extractor	22	Rear Sight Elevation Spring
6	Extractor Spring	23	Rear Sight Elevation Screw
7	Extractor Stop Pin	24	Rear Sight Detent Ball
8	Forend	25	Rear Sight Complete
9	Forend Bushing	26	Hinge Pin
10	Forend Screw	27	Roller
11	Buttstock	28	Front Sight Ramp
12	Grip Cap	29	Front Sight Blade
13	Grip Cap Screws	30	Front Sight Blade Pin
14	Grip Screw	31	Front Sight Screw, Rear
15	Grip Screw Lock Washer	32	Front Sight Screw, Front
16	Buttpad	33	Barrel
17	Buttpad Screws	34	Receiver

Model 38 and 40 Bolt-Action Rifle

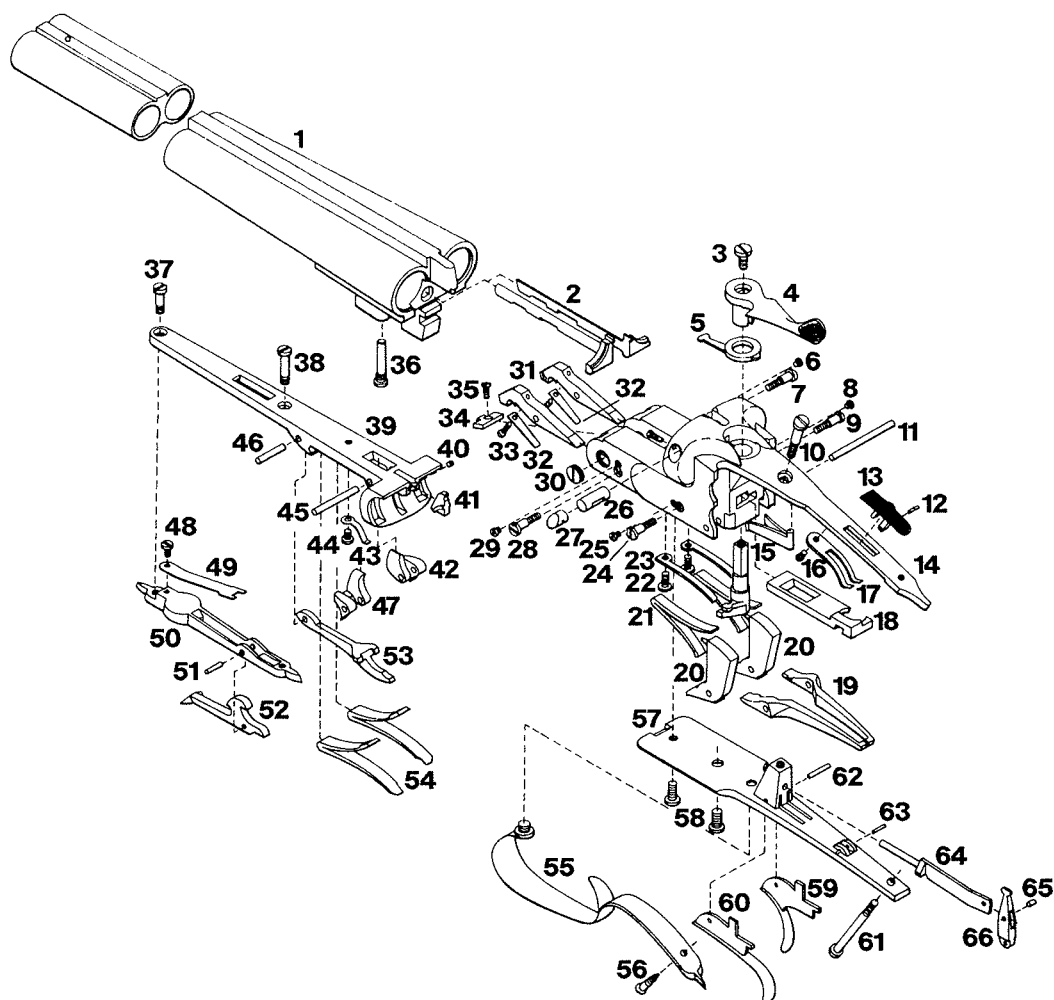
Courtesy of Blacksmith Corporation



1	Front Sight	22	Forward Recoil Spring	43	Cleaning Rod
2	Muzzle Extension	23	Barrel and Receiver	44	Magazine
3	Gas Regulator	24	Hold-Open Latch	45	Hammer
4	Muzzle Extension Key	25	Hold-Open Latch Spring	46	Hammer Spring Guide
5	Gas Cylinder	26	Ejector	47	Hammer Spring
6	Gas Piston	27	Disconnecter	48	Sear
7	Piston Rod	28	Ejector Pin	49	Trigger Bar
8	Piston Rod Extension	29	Trigger Guard Latch Plunger	50	Trigger
9	Piston Spring	30	Detent Spring	51	Trigger Spring
10	Bolt Cover	31	Detent	52	Disconnecter Operated Sear
11	Bolt Carrier	32	Plunger Lock	53	Sear Spring
12	Extractor	33	Trigger Guard Latch Pin	54	Magazine Catch Spring
13	Extractor Plunger	34	Trigger Guard Latch	55	Magazine Catch
14	Extractor Spring	35	Trigger Guard Latch Spring	56	Magazine Catch and Sear Pins
15	Bolt	36	Buttstock	57	Trigger and Trigger Spring Pins
16	Firing Pin Retainer	37	Split Cross Pin	58	Safety Catch
17	Firing Pin Spring	38	Forestock	59	Trigger Guard
18	Firing Pin	39	Upper Handguard	60	Spring Cover
19	Rear Spring Guide	40	Piston Cover	61	Safety Catch Detent
20	Rear Recoil Spring	41	Front Band	62	Detent Spring
21	Middle Spring Guide	42	Rear Band	63	Rear Sight Assembly

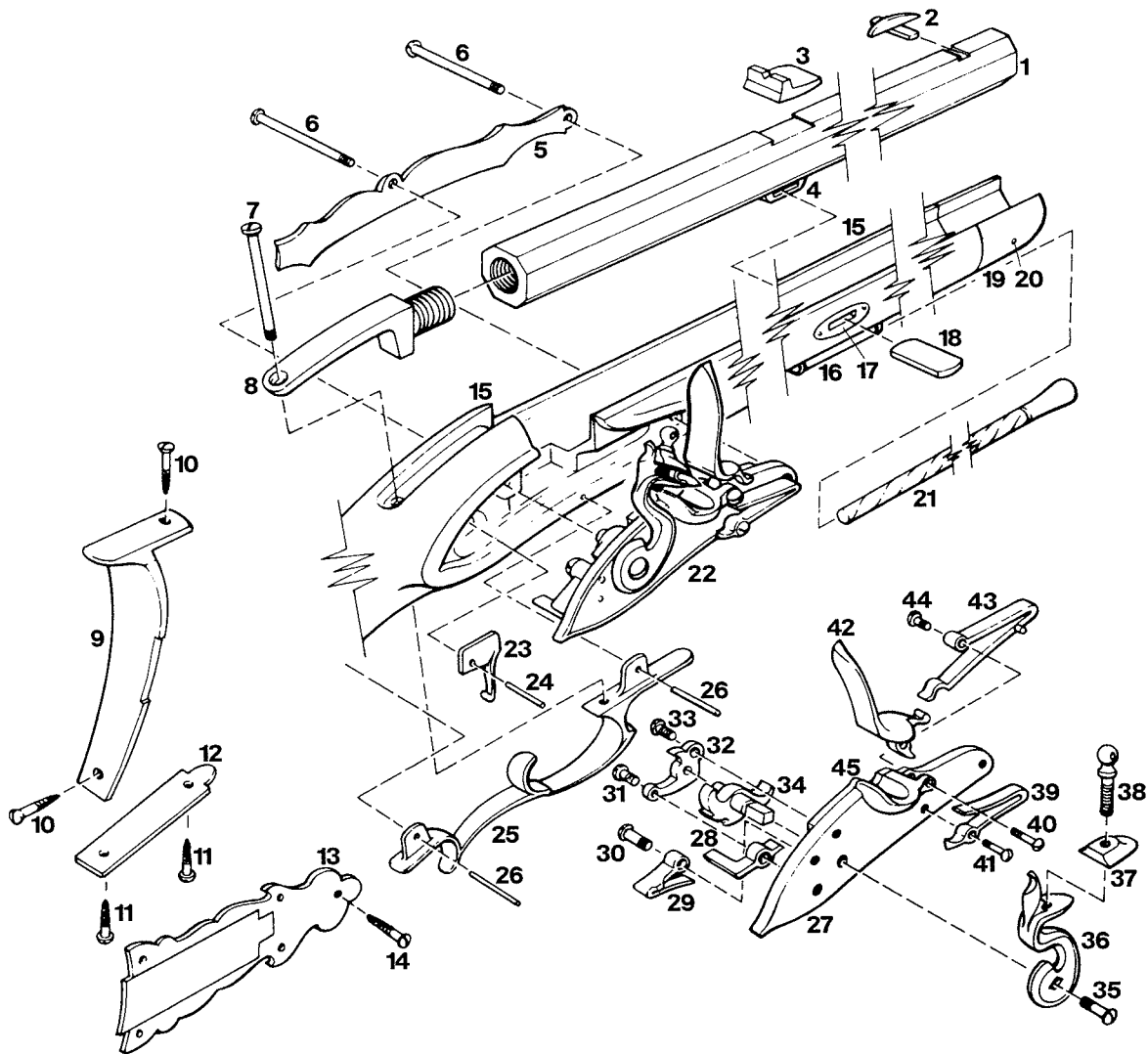
TYPICAL AUSTRIAN

Side-by-Side Shotgun



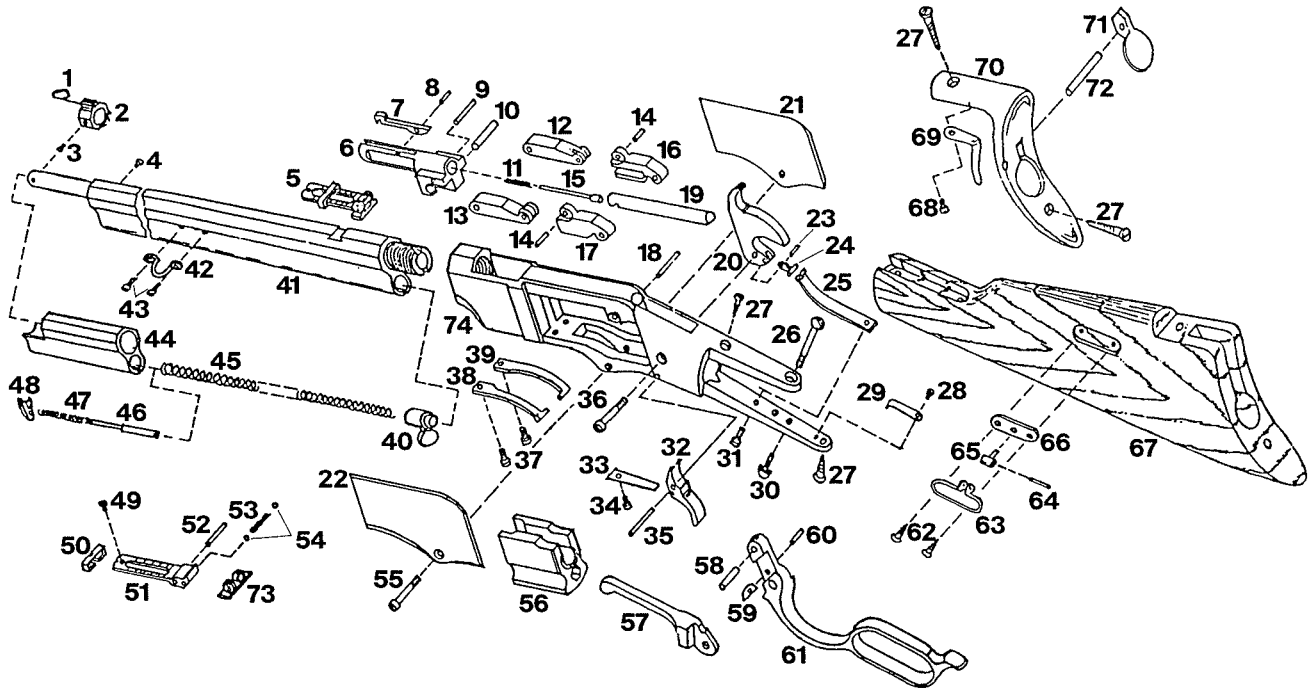
1	Barrel Assembly	23	Sear Springs	45	Ejector Sear Pivot
2	Extractors/Ejectors	24	Hammer Pivot Screw	46	Ejector Sear Lever Pin
3	Barrel Latch Lever Screw	25	Lock Screw	47	Left Ejector Trip
4	Barrel Latch Lever	26	Crossbolt	48	Forend Latch Spring Screw
5	Crossbolt Lever	27	Crossbolt Cap	49	Forend Latch Spring
6	Lock Screw	28	Cocking Lever Pivot Screw	50	Forend Latch Housing
7	Cocking Lever Pivot Screw	29	Lock Screw	51	Forend Latch Lever Pivot
8	Lock Screw	30	Barrel Hinge Cap Screw	52	Forend Latch Lever
9	Hammer Pivot Screw	31	Cocking Levers	53	Ejector Sear Lever
10	Top Trigger Plate Screw	32	Cocking Lever Springs	54	Ejector Trip Springs
11	Sear Pivot Pin	33	Cocking Lever Spring Screws	55	Trigger Guard
12	Safety Spring Bearing Pin	34	Receiver Insert	56	Trigger Guard Screw
13	Safety	35	Receiver Insert Screw	57	Trigger Plate
14	Receiver	36	Ejector Retaining Screw	58	Front Trigger Plate Screws
15	Barrel Latch Spring	37	Front Forend Latch Screw	59	Front Trigger
16	Safety Spring Screw	38	Rear Forend Latch Screw	60	Rear Trigger
17	Safety Spring	39	Forend Iron	61	Rear Trigger Plate Screw
18	Barrel Latch	40	Ejector Lever Screw	62	Trigger Pivot Pin
19	Right and Left Sear	41	Ejector Lever	63	Safety-Lever Pin
20	Hammers	42	Right Ejector Trip	64	Automatic Safety Actuator
21	Hammer Springs	43	Ejector Sear Spring	65	Actuator Connector Pin
22	Sear Spring Screws	44	Ejector Sear Spring Screw	66	Safety-Lever

Flintlock Rifle



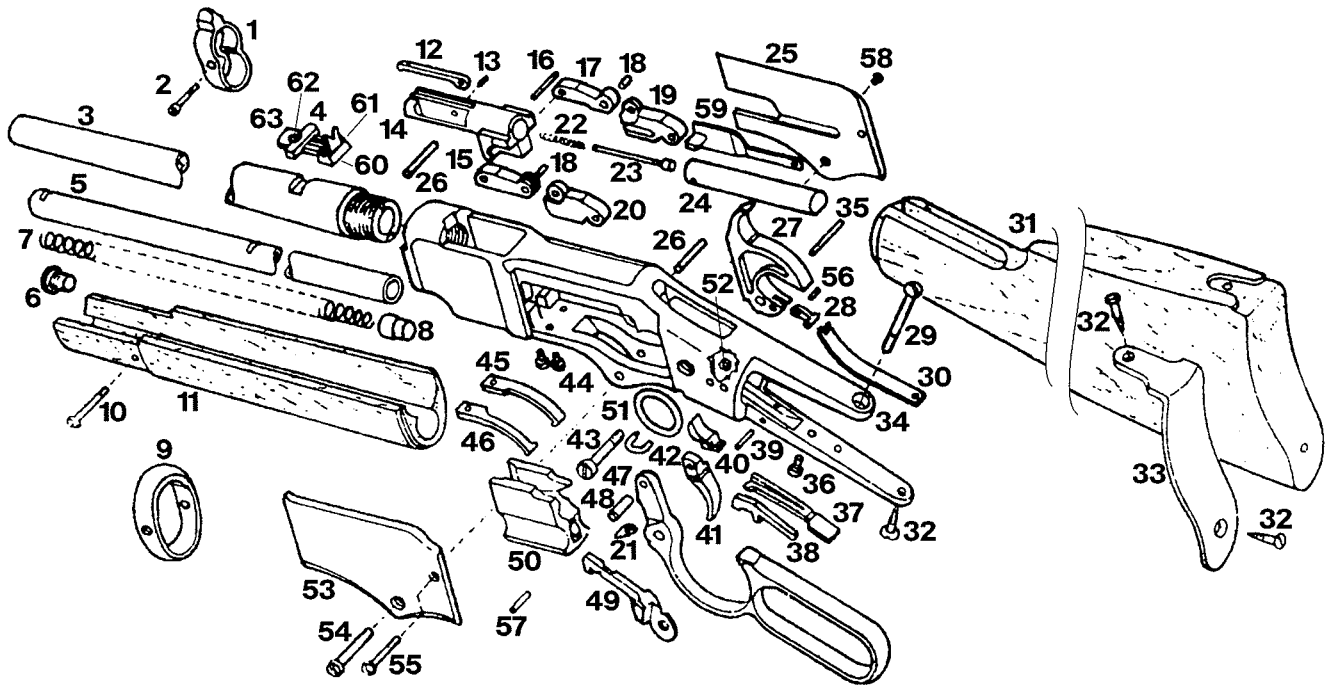
1	Barrel	24	Trigger Pin
2	Front Sight	25	Trigger Guard
3	Rear Sight	26	Trigger Guard Pins
4	Barrel Lugs	27	Lock Plate
5	Sideplate	28	Sear
6	Side Screws	29	Sear Spring
7	Tang Screw	30	Sear Spring Screw
8	Breech Plug	31	Sear Screw
9	Buttplate	32	Bridle
10	Buttplate Screws	33	Bridle Screw
11	Toe Plate Screws	34	Tumbler
12	Toe Plate	35	Tumbler Screw
13	Patch Box Assembly	36	Hammer
14	Patch Box Screws	37	Top Jaw
15	Stock	38	Bolt
16	Thimbles	39	Frizzen Spring
17	Escutcheons	40	Frizzen Screw
18	Barrel Wedges	41	Frizzen Spring Screw
19	Forend Tip	42	Frizzen
20	Forend Tip Pin	43	Mainspring
21	Ramrod	44	Mainspring Screw
22	Lock, Complete	45	Pan
23	Trigger		

Henry Lever-Action Carbine



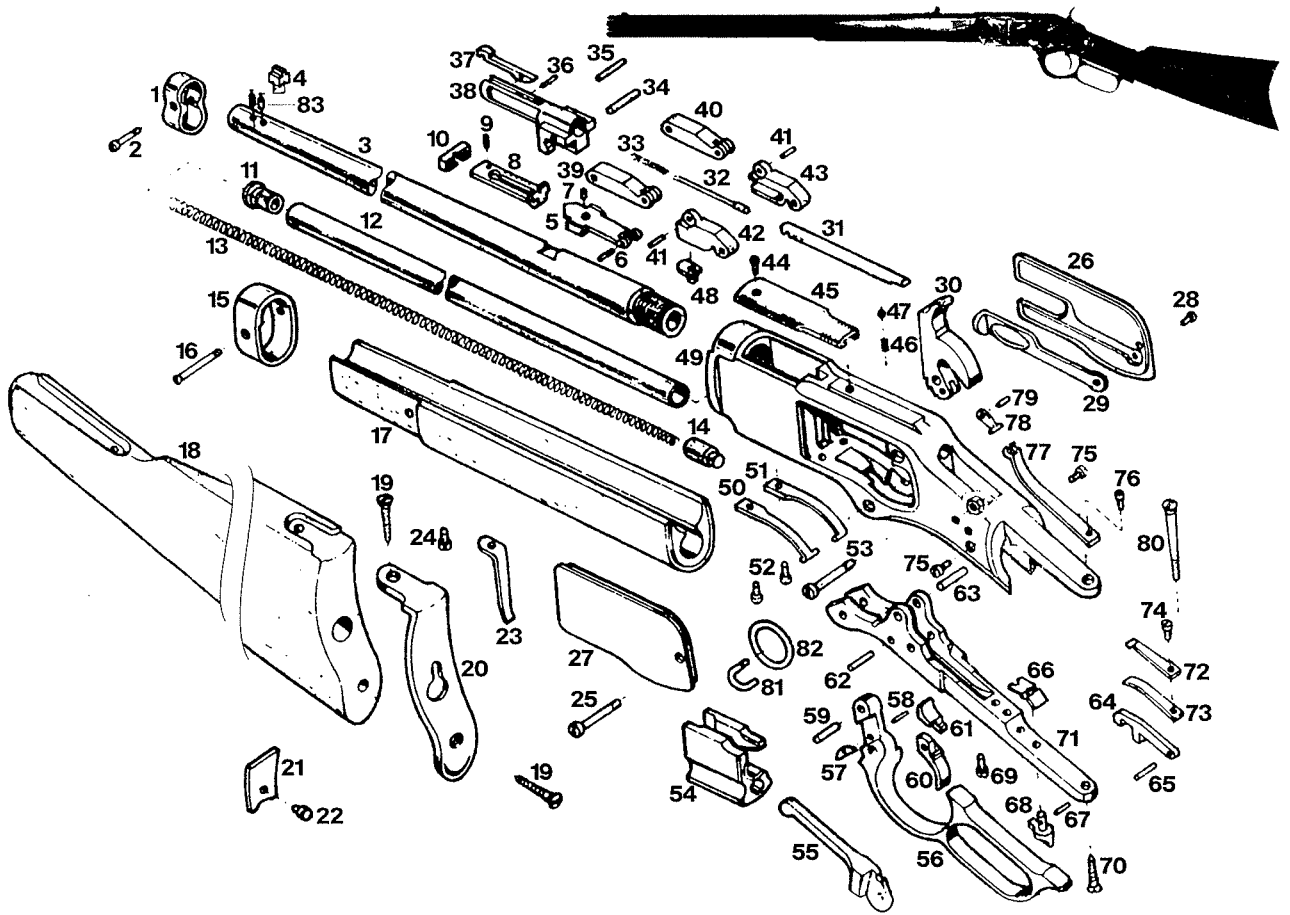
1	Sight	26	Tang Screw	51	Rear Sight
2	Front Band	27	Receiver and Stock Screws	52	Rear Sight Pin
3	Band Screw	28	Lever Hook Screw	53	Rear Sight Spring
4	Magazine Follower Stop Screw	29	Lever Hook Spring	54	Rear Sight Spheres
5	Sight Assembly	30	Lever Hook	55	Lever Screw
6	Breechblock	31	Mainspring Screw	56	Carrier Block
7	Extractor	32	Trigger	57	Lifter Arm
8	Extractor Pin	33	Trigger Spring	58	Loading Lever and Links Connection
9	Firing Pin Stop	34	Trigger Spring Screw	59	Loading Lever Cam
10	Breechblock Pin	35	Trigger Pin	60	Loading Lever Cam Pin
11	Firing Pin Spring	36	Hammer Pin Screw	61	Loading Lever
12	Left Front Link	37	Lever Spring Screws	62	Rear Swivel Base Screws
13	Right Front Link	38	Right Lever Spring	63	Rear Swivel
14	Link Pins	39	Left Lever Spring	64	Rear Swivel Pin
15	Firing Pin	40	Magazine Follower	65	Rear Swivel Pivot
16	Right Rear Link	41	Barrel	66	Rear Swivel Base
17	Left Rear Link	42	Front Swivel	67	Buttstock
18	Rear Link Pin	43	Front Swivel Screws	68	Buttstock Gate Spring Screw
19	Firing Pin Extension	44	Assembled Sleeve	69	Buttstock Gate Spring
20	Hammer	45	Magazine Spring	70	Buttplate
21	Right Sideplate	46	Sleeve Latch Rod	71	Buttplate Gate
22	Left Sideplate	47	Sleeve Latch Rod Spring	72	Buttplate Gate Pin
23	Hammer Link Pin	48	Sleeve Latch	73	Rear Base
24	Hammer Link	49	Rear Running Stop Screw	74	Receiver
25	Mainspring	50	Rear Running		

Model 1866 Yellowboy Lever-Action Rifle



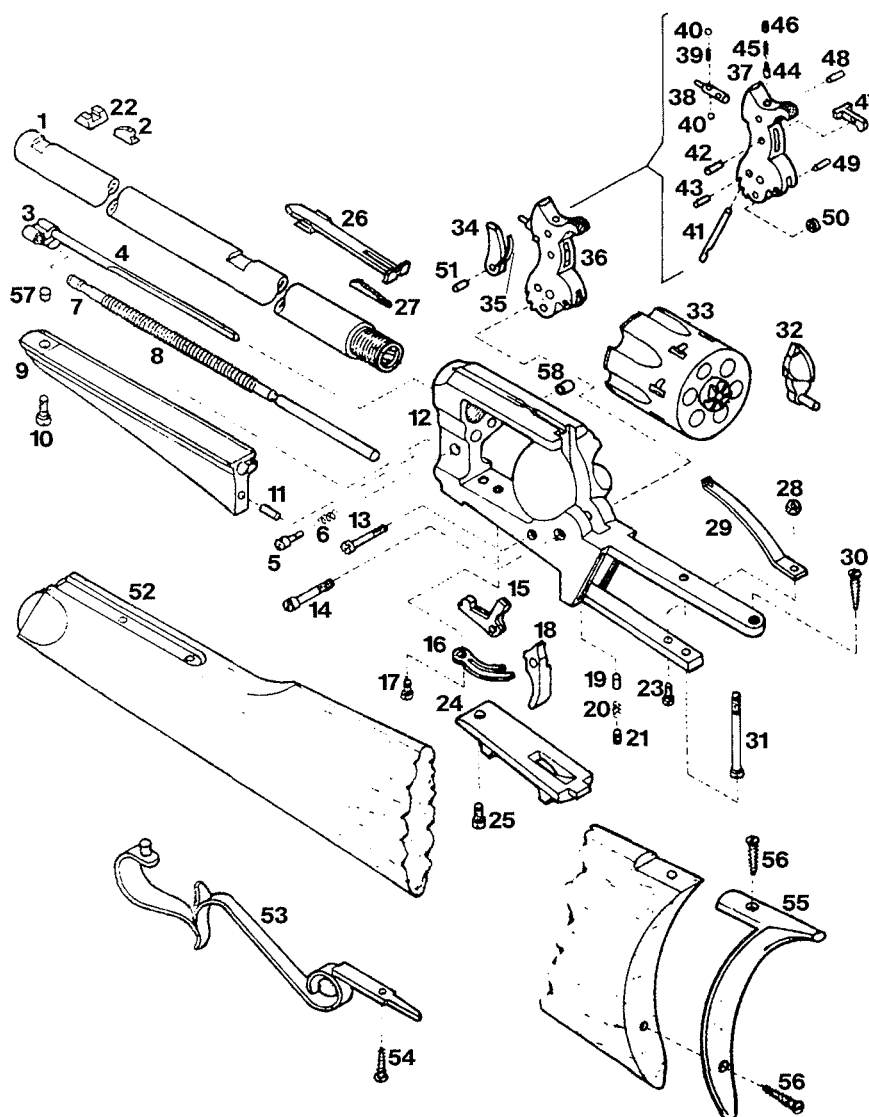
1	Front Band	22	Firing Pin Spring	43	Hammer Pin Screw
2	Band Screw	23	Firing Pin	44	Lever Spring Screws
3	Barrel	24	Firing Pin Extension	45	Right Lever Spring
4	Sight Assembly	25	Right Sideplate	46	Left Lever Spring
5	Magazine Tube	26	Rear Link Pin	47	Lever
6	Magazine Tube Plug	27	Hammer	48	Lever Pin
7	Magazine Spring	28	Hammer Link	49	Lifter Arm
8	Magazine Follower	29	Tang Screw	50	Carrier Block
9	Forend Band	30	Mainspring	51	Saddle Ring
10	Forend Screw	31	Buttstock	52	Saddle Ring Screw
11	Forend	32	Screws	53	Left Sideplate
12	Extractor	33	Buttplate	54	Lever Screw
13	Extractor Pin	34	Receiver	55	Plate Screw
14	Breechblock	35	Trigger Pin	56	Hammer Link Pin
15	Left Front Link	36	Mainspring Screw	57	Cam Lever Pin
16	Firing Pin Stop	37	Trigger and Safety Spring	58	Ladle Block Screw
17	Right Front Link	38	Safety Bar	59	Ladle
18	Link Pins	39	Safety Spring Pin	60	Rear Sight Base
19	Right Rear Link	40	Trigger (Upper Portion)	61	Rear Sight Blade
20	Left Rear Link	41	Trigger (Lower Portion)	62	Rear Sight Screw
21	Cam Lever	42	Saddle Ring Loop	63	Rear Sight Blade Pin

Model 1873 Lever-Action Carbine



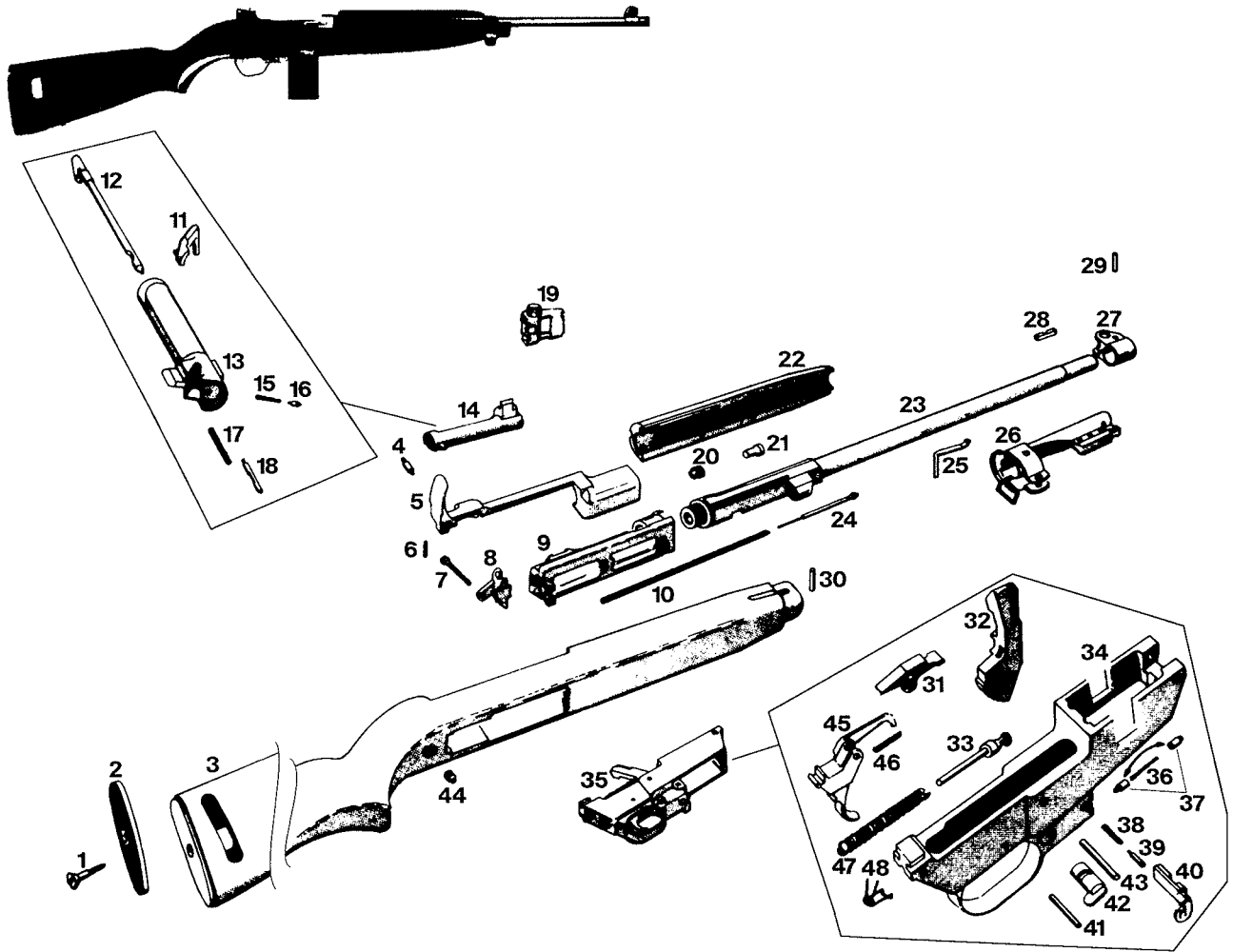
1	Front Band	29	Ladle	57	Lever Cam
2	Band Screw	30	Hammer	58	Lever Cam Pin
3	Barrel	31	Firing Pin Extension	59	Lever Pin
4	Front Sight	32	Firing Pin	60	Trigger (Lower)
5	Rear Sight Base	33	Firing Pin Spring	61	Trigger (Upper)
6	Rear Sight Base Pin	34	Firing Pin Extension Stop Pin	62	Trigger Pin
7	Rear Sight Base Block Screw	35	Breechblock Pin	63	Hammer Pin
8	Rear Sight	36	Extractor Pin	64	Safety Bar
9	Rear Sight Elevator Screw	37	Extractor	65	Safety Spring Pin
10	Rear Sight Elevator	38	Breechblock	66	Lever Spring Hook
11	Magazine Tube Plug	39	Left Front Link	67	Lever Pin Hook
12	Magazine Tube	40	Right Front Link	68	Lever Hook
13	Magazine Spring	41	Link Pins	69	Mainspring Screw
14	Magazine Follower	42	Left Rear Link	70	Trigger Guard Screw
15	Forend Band	43	Right Rear Link	71	Trigger Guard
16	Forend Screw	44	Dust Cover Screw	72	Safety Spring
17	Forend	45	Dust Cover	73	Trigger Spring
18	Buttstock	46	Dust Cover Detent Spring	74	Trigger Spring Screw
19	Buttplate Screws	47	Dust Cover Detent	75	Trigger Guard Screws
20	Buttplate	48	Dust Cover Guide	76	Mainspring Screw
21	Buttplate Gate	49	Receiver	77	Mainspring
22	Buttplate Gate Pin	50	Left Lever Spring	78	Hammer Link
23	Buttplate Gate Spring	51	Right Lever Spring	79	Hammer Link Pin
24	Buttplate Gate Screw	52	Lever Spring Screws	80	Tang Screw
25	Sideplate Screw	53	Lever Screw	81	Saddle Ring Loop
26	Right Sideplate	54	Carrier Block	82	Saddle Ring
27	Left Sideplate	55	Lifter Arm	83	Barrel Sight Pins
28	Ladle Block Screw	56	Lever		

Model 1875 Remington Revolving Carbine



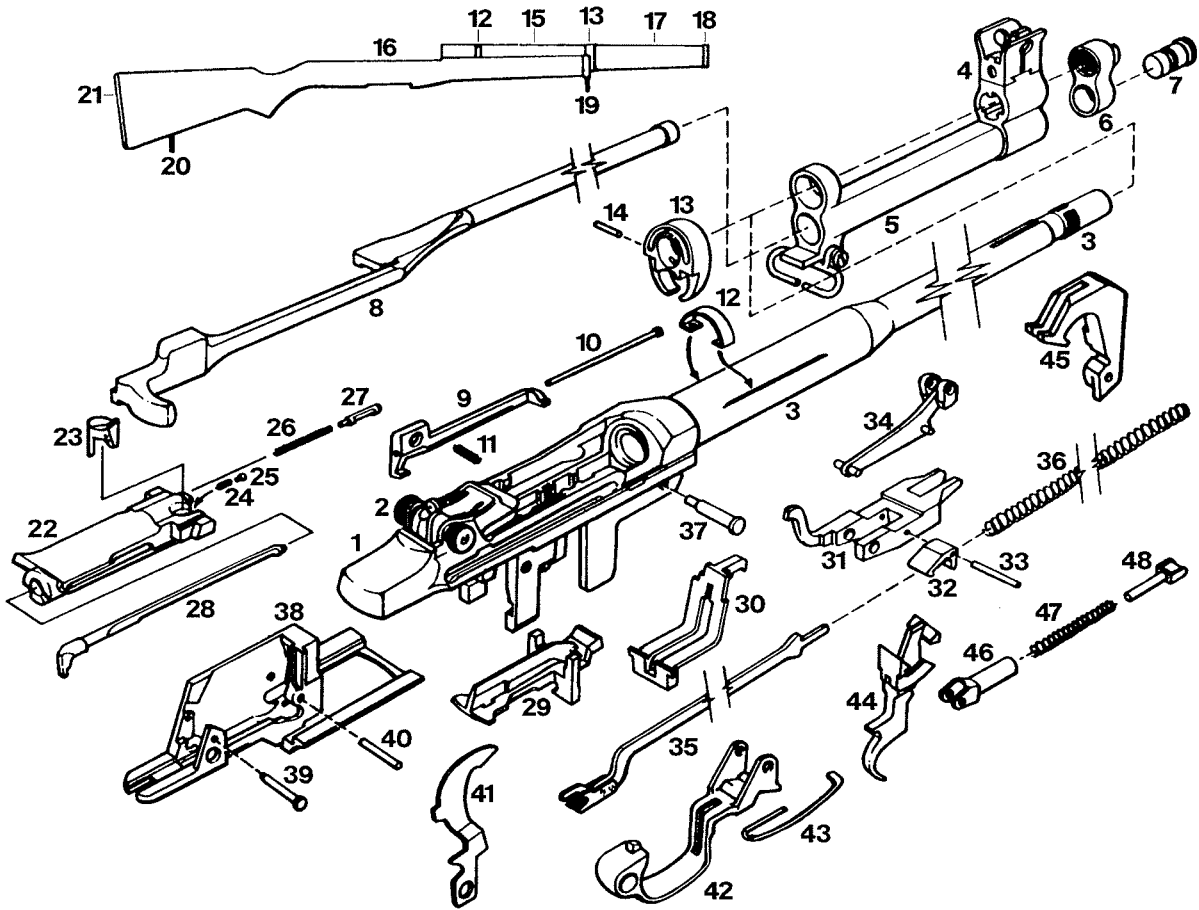
1	Barrel	21	Gate Catch Screw	41	Hammer Safety Plunger
2	Front Sight	22	Front Sight Ramp	42	Hammer Safety Bar Pin
3	Ejector Base	23	Mainspring Screw	43	Hammer Safety Plunger Pin
4	Ejector	24	Trigger Guard	44	Hammer Safety Pin
5	Base Pin Screw	25	Trigger Guard Screw	45	Hammer Safety Spring
6	Base Pin Spring	26	Rear Sight	46	Hammer Safety Stop Screw
7	Base Pin	27	Rear Sight Elevator	47	Hammer Safety Bar
8	Ejector Spring	28	Mainspring Loop Screw	48	Firing Pin Retaining Pin
9	Forend	29	Mainspring	49	Hammer Roller Pin
10	Forend Screw	30	Buttstock Screw	50	Hammer Roller
11	Forend Pin	31	Tang Screw	51	Carrier Block Screw
12	Frame	32	Gate	52	Buttstock
13	Trigger Screw	33	Cylinder	53	Trigger Guard
14	Hammer Screw	34	Hand	54	Trigger Guard Screw
15	Bolt	35	Hand Spring	55	Buttplate
16	Sear and Bolt Spring	36	Hammer Assembly	56	Buttplate Screws
17	Bolt Spring Screw	37	Hammer	57	Ejector Rod Tube Screw Nut
18	Trigger	38	Firing Pin	58	Base Pin Nut
19	Gate Nut	39	Firing Pin Spring		
20	Gate Spring	40	Firing Pin Spheres		

M-1 Autoloading Carbine



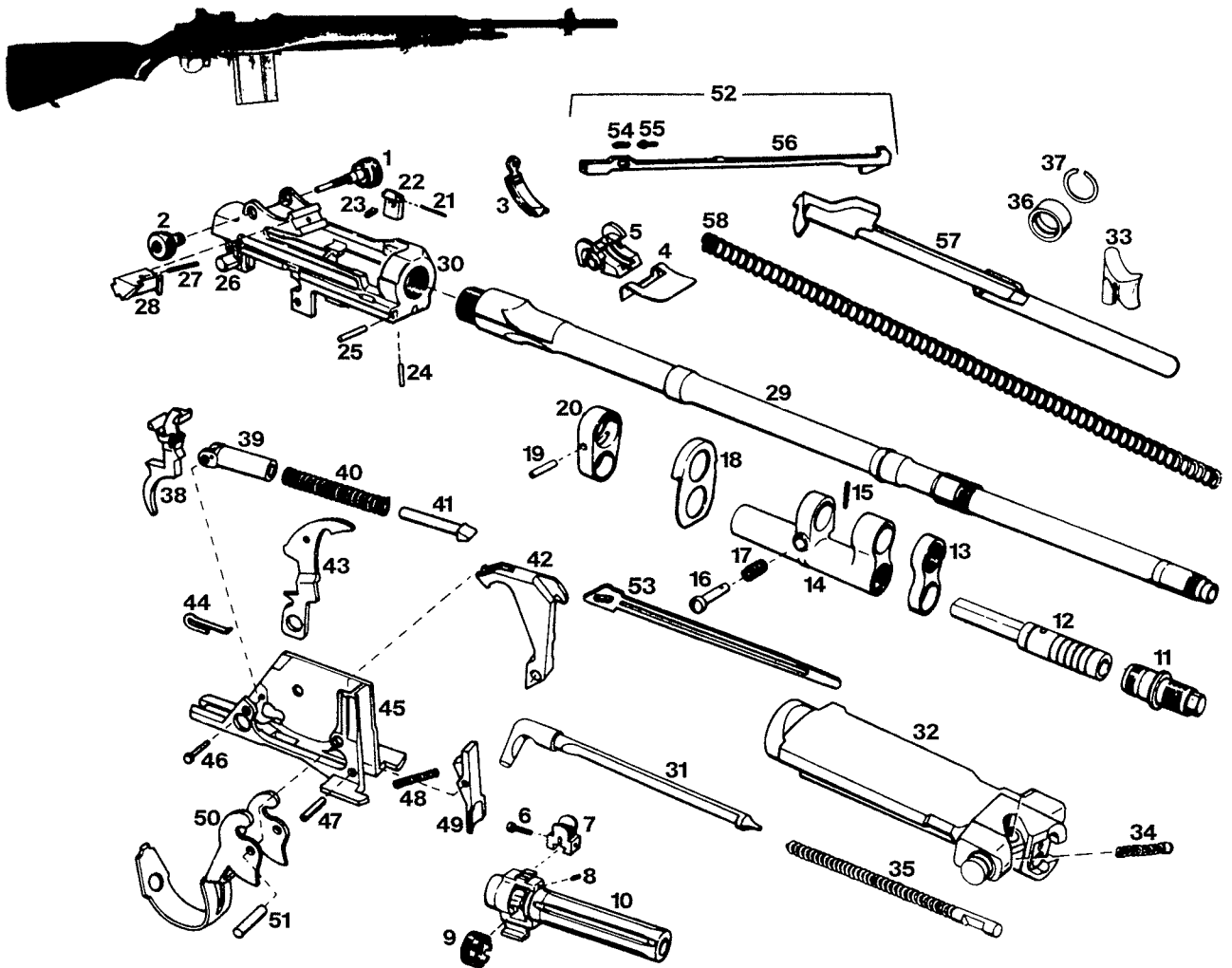
1	Buttplate Screw	26	Barrel Band with Swivel and Screw
2	Buttplate	27	Front Sight
3	Stock	28	Front Sight Key
4	Slide Lock	29	Front Sight Pin
5	Slide	30	Trigger Guard Pin
6	Slide Lock Spring	31	Sear
7	Recoil Plate Screw	32	Hammer
8	Recoil Plate	33	Hammer Spring Plunger
9	Receiver	34	Trigger Housing
10	Recoil Spring	35	Trigger Housing Complete
11	Extractor	36	Safety Spring
12	Firing Pin	37	Safety Spring Plungers
13	Bolt	38	Magazine Catch Spring
14	Bolt Complete	39	Magazine Catch Plunger
15	Extractor Spring	40	Magazine Catch
16	Extractor Spring Plunger	41	Trigger Pin
17	Ejector Spring	42	Safety
18	Ejector	43	Hammer Pin
19	Rear Sight	44	Stock Escutcheon
20	Gas Piston Nut	45	Trigger
21	Gas Piston	46	Sear Spring
22	Hand Guard	47	Hammer Spring
23	Barrel	48	Trigger Spring
24	Recoil Spring Guide		
25	Band Spring		

M-1 Garand Autoloading Rifle



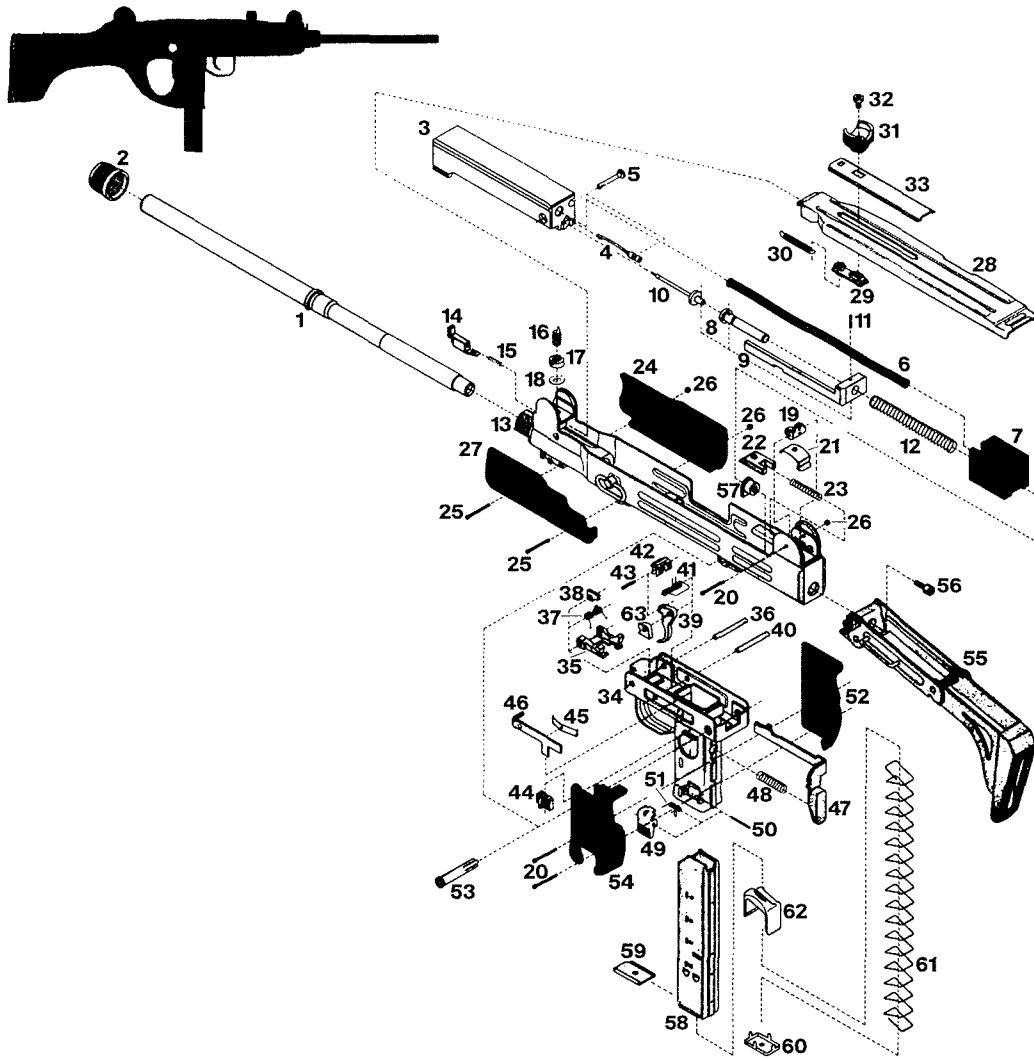
1	Receiver	24	Extractor Spring
2	Rear Sight Assembly	25	Extractor Plunger
3	Barrel	26	Ejector Spring
4	Front Sight	27	Ejector
5	Gas Cylinder with Stacking Swivel	28	Firing Pin
6	Gas Cylinder Lock	29	Slide and Follower
7	Gas Cylinder Lock Screw	30	Bullet Guide
8	Operating Rod	31	Operating Rod Catch
9	Clip Latch	32	Accelerator
10	Clip Latch Pin	33	Accelerator Pin
11	Clip Latch Spring	34	Follower Arm
12	Rear Handguard Band	35	Follower Rod
13	Lower Band	36	Operating Rod Spring
14	Lower Band Pin	37	Follower Arm Pin
15	Rear Handguard	38	Trigger Housing
16	Stock	39	Trigger Pin
17	Front Handguard	40	Hammer Pin
18	Front Handguard Ferrule	41	Safety
19	Stock Ferrule and Swivel	42	Trigger Guard
20	Buttstock Swivel	43	Clip Ejector
21	Buttplate and Screws	44	Trigger
22	Bolt	45	Hammer
23	Extractor	46	Hammer Spring Housing
		47	Hammer Spring
		48	Hammer Spring Plunger

M-14 Autoloading Rifle



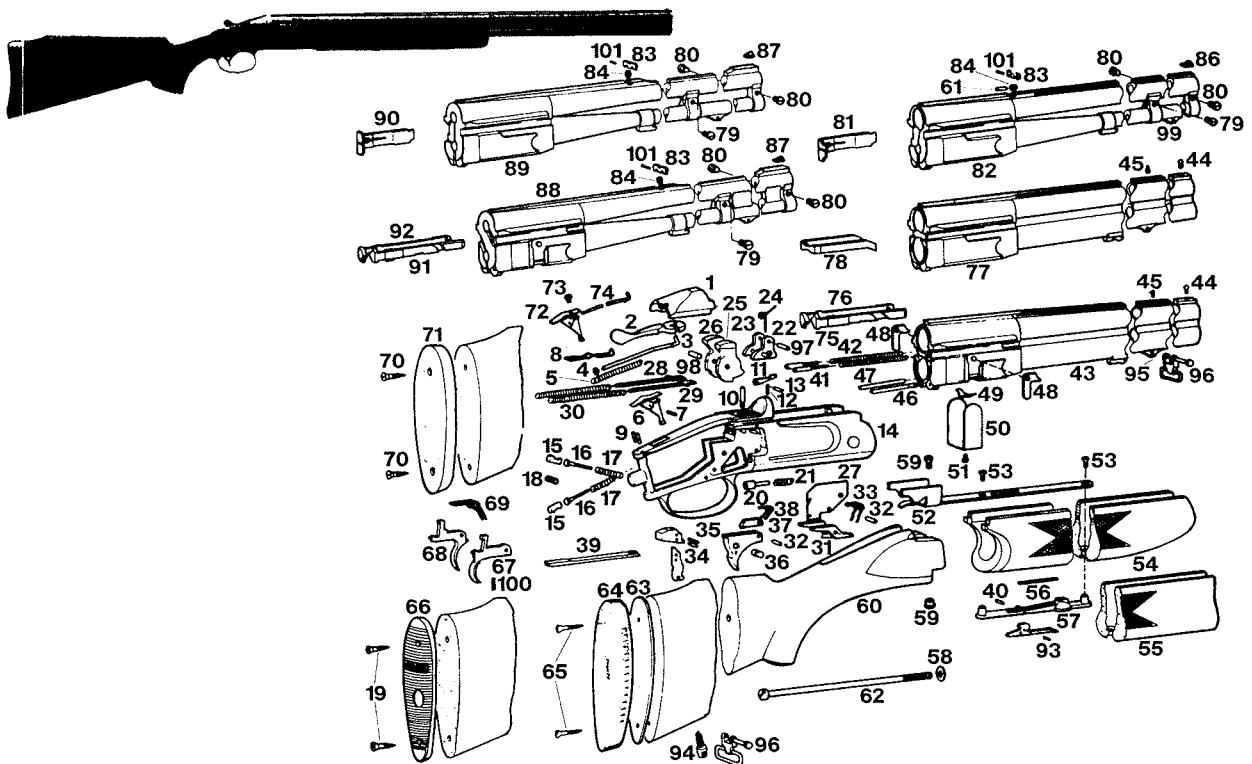
1	Rear Sight Elevation Pinion	23	Bolt Lock Spring	45	Trigger Housing
2	Windage Knob	24	Connector Lock Pin	46	Trigger Pin
3	Aperture Sight	25	Connector Lock	47	Magazine Latch Pin
4	Rear Sight Cover	26	Selector	48	Magazine Latch Spring
5	Rear Sight Base	27	Clip Guide Pin	49	Magazine Latch
6	Front Sight Screw	28	Cartridge Clip Guide	50	Trigger Guard
7	Front Sight	29	Barrel	51	Trigger Guard Pin
8	Flash Suppressor Set Screw	30	Receiver	52	Connector Rod Assembly
9	Flash Suppressor Nut	31	Firing Pin	53	Operating Rod Spring Guide
10	Flash Suppressor	32	Bolt Assembly	54	Connector Spring
11	Gas Cylinder Plug	33	Extractor	55	Connector Plunger
12	Gas Piston	34	Extractor Plunger and Spring	56	Connector Rod Body
13	Gas Cylinder Lock	35	Ejector and Spring	57	Operating Rod
14	Gas Cylinder	36	Bolt Roller	58	Operating Rod Spring
15	Gas Cylinder Pin	37	Bolt Roller Retainer	Parts Not Shown	
16	Gas Cylinder Valve Spindle	38	Trigger and Sear Assembly		Buttplate Assembly
17	Gas Cylinder Valve Spring	39	Hammer Spring Housing		Buttplate Screws
18	Front Band	40	Hammer Spring		Stock
19	Operating Rod Guide Spring Pin	41	Hammer Plunger		Rear Swivel
20	Operating Rod Guide	42	Hammer		Front Swivel
21	Bolt Lock Pin	43	Safety		Connector Rod Pin
22	Bolt Lock	44	Safety Spring		

Autoloading Carbine



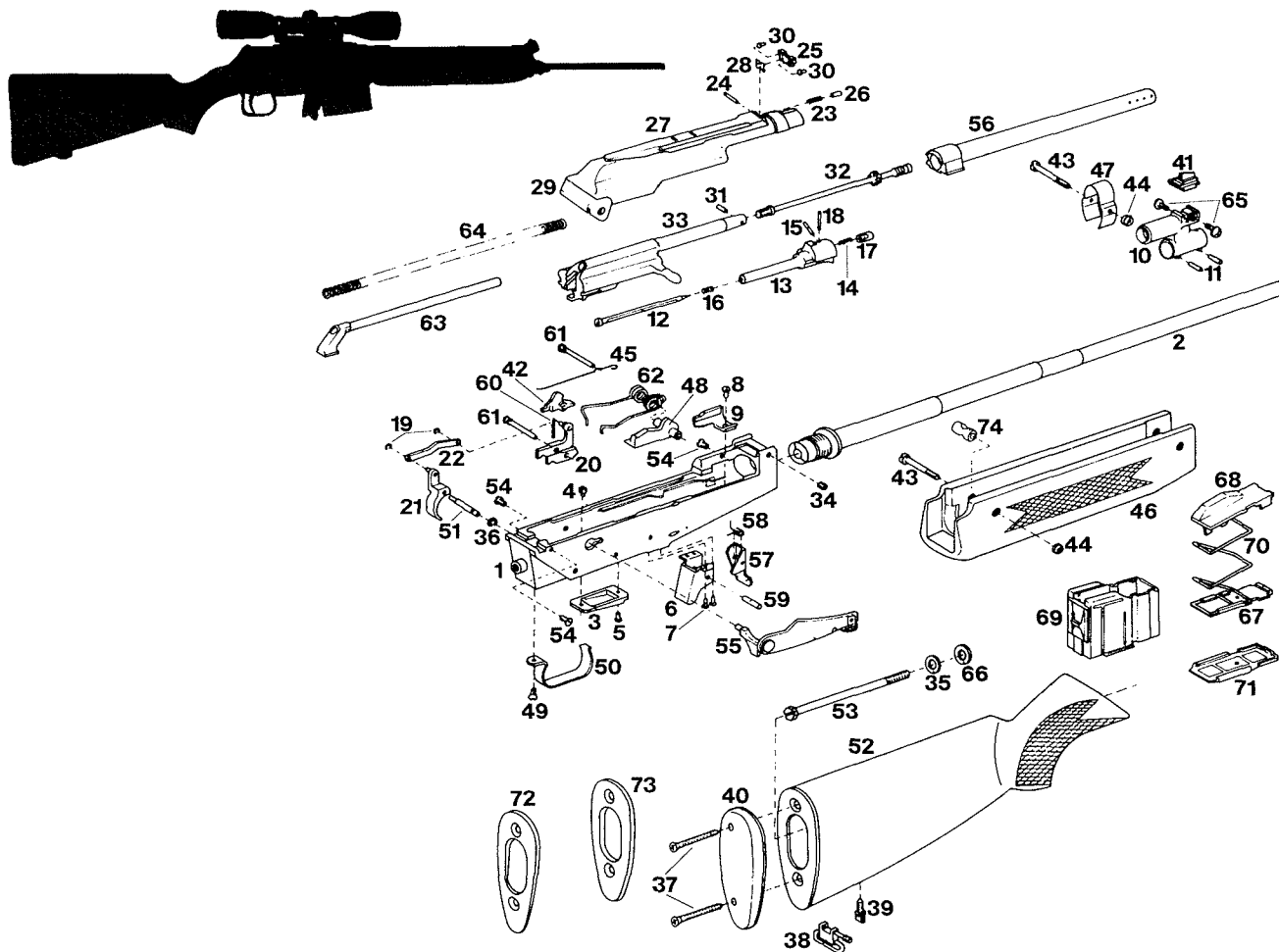
1	Barrel	21	Rear Sight Leaf Spring	43	Trigger Pin
2	Barrel Retaining Nut	22	Cover Catch	44	Change Lever Switch
3	Bolt	23	Cover Catch Spring	45	Change Lever Spring
4	Extractor	24	Handguard, Right	46	Change Lever
5	Extractor Pin	25	Handguard Screws	47	Safety Grip Lock Assembly
6	Return Spring Assembly	26	Handguard Screw Nuts	48	Safety Grip Lock Spring
7	Buffer	27	Handguard, Left	49	Magazine Catch
8	Firing Pin Spring Guide	28	Cover Body	50	Magazine Catch Pin
9	Firing Pin Carrier	29	Cocking Slide	51	Magazine Catch Spring
10	Firing Pin	30	Cocking Slide Spring	52	Pistol Grip, Right
11	Firing Pin Retaining Pin	31	Cocking Handle	53	Pistol Grip Split Bushing
12	Firing Pin Spring	32	Cocking Handle Screw	54	Pistol Grip, Left
13	Receiver	33	Slot Cover Plate	55	Folding Stock Assembly
14	Barrel Retaining Nut Catch	34	Grip Body (Trigger Housing)	56	Stock Screw
15	Barrel Retaining Nut Catch Spring	35	Sear	57	Stock Nut
16	Front Sight Screw	36	Sear Axis	58	Magazine
17	Front Sight Nut	37	Sear Spring	59	Magazine Floorplate
18	Front Sight Spring Washer	38	Stop Dog	60	Magazine Spring Retainer
19	Rear Sight Leaf	39	Trigger	61	Magazine Spring
20	Rear Sight Pivot Screw	40	Trigger Axis	62	Magazine Follower
		41	Trigger Spring	63	Trigger Plate
		42	Interruptor (Disconnecter)		

412 Combo



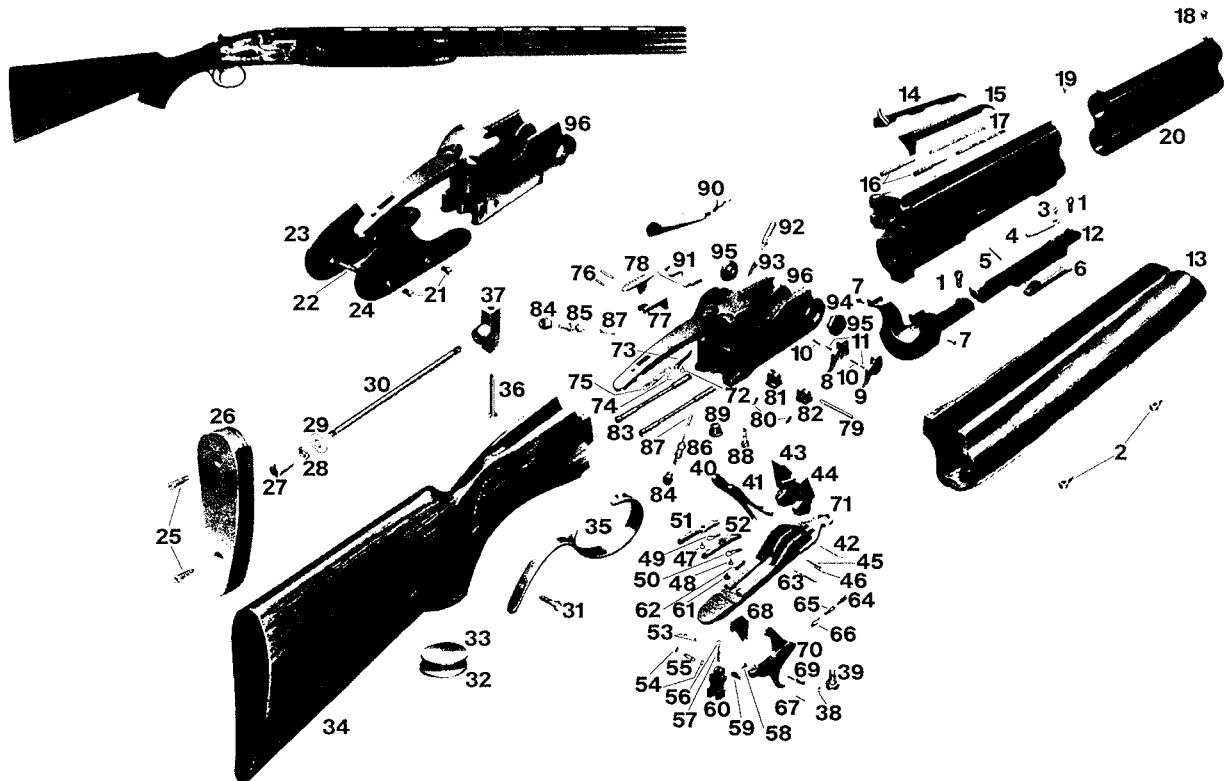
1	Locking Bolt	35	Trigger	69	Trigger Spring
2	Top Snap	36	Selector Button	70	Screws
3	Top Snap Plunger	37	Selector Cam	71	Buttplate, Curled Birch Wood
4	Top Snap Plunger Washer	38	Selector Cam Spring	72	Safety Button
5	Top Snap Spring	39	Cocking Slide	73	Screw
6	Safety Button	40	Striker Pin	74	Safety Spring
7	Safety Pin	41	Ejector Spring Plungers	75	Extractor, Right
8	Safety Spring	42	Ejector Springs	76	Extractor, Left
9	Indicator	43	Barrels Complete, Shotgun	77	Barrels Complete, Shotgun
10	Top Snap Pin	44	Front Sight Bead	78	Extractor
11	Top Slide Trip	45	Rear Sight Bead	79	Screw
12	Top Slide Trip Spring	46	Ejector Operating Rod, Right	80	Screws
13	Top Slide Trip Pin	47	Ejector Operating Rod, Left	81	Extractor
14	Frame	48	Ejector Trips	82	Barrels Complete, Combination
15	Strikers	49	Ejector Trip Spring	83	Sight Plate
16	Firing Pins	50	Covering Plate	84	Spring
17	Firing Pin Springs	51	Covering Plate Screw	85	Crank Pin
18	Striker Pin	52	Forend Iron	86	Sight Bead
19	Screws	53	Forend Screws	87	Front Sight
20	Ejector Operating Pin	54	Forend Wood	88	Barrels Complete, Rifle
21	Ejector Operating Pin Spring	55	Forend Wood (Model Vainio)	89	Barrels Complete, Rifle
22	Cocking Crank, Right	56	Forend Snap Spring	90	Extractor
23	Cocking Crank, Left	57	Forend Snap Assembly	91	Extractor, Right
24	Cocking Slide Spring	58	Stock Bolt Washer	92	Extractor, Left
25	Hammer, Right	59	Forend Nut	93	Spring Pin
26	Hammer, Left	60	Stock	94	Rear Swivel Bow Body
27	Support Plate	61	Snap Pin	95	Front Swivel Bow Body
28	Mainspring Plunger, Left	62	Stock Bolt	96	Swivel Bows
29	Mainspring Plunger, Right	63	Buttplate Spacer	97	Cocking Crank Pin
30	Mainsprings	64	Buttplate	98	Hammer Pin
31	Sear	65	Rubber Buttplate Screws	99	Front Swivel Bow Body
32	Trigger Pins	66	Buttplate VALMET	100	Trigger Adjusting Screw
33	Sear Spring	67	Rear Trigger	101	Sight Adjusting Screw
34	Inertia Block and Pins	68	Front Trigger		

Hunter Autoloading Rifle



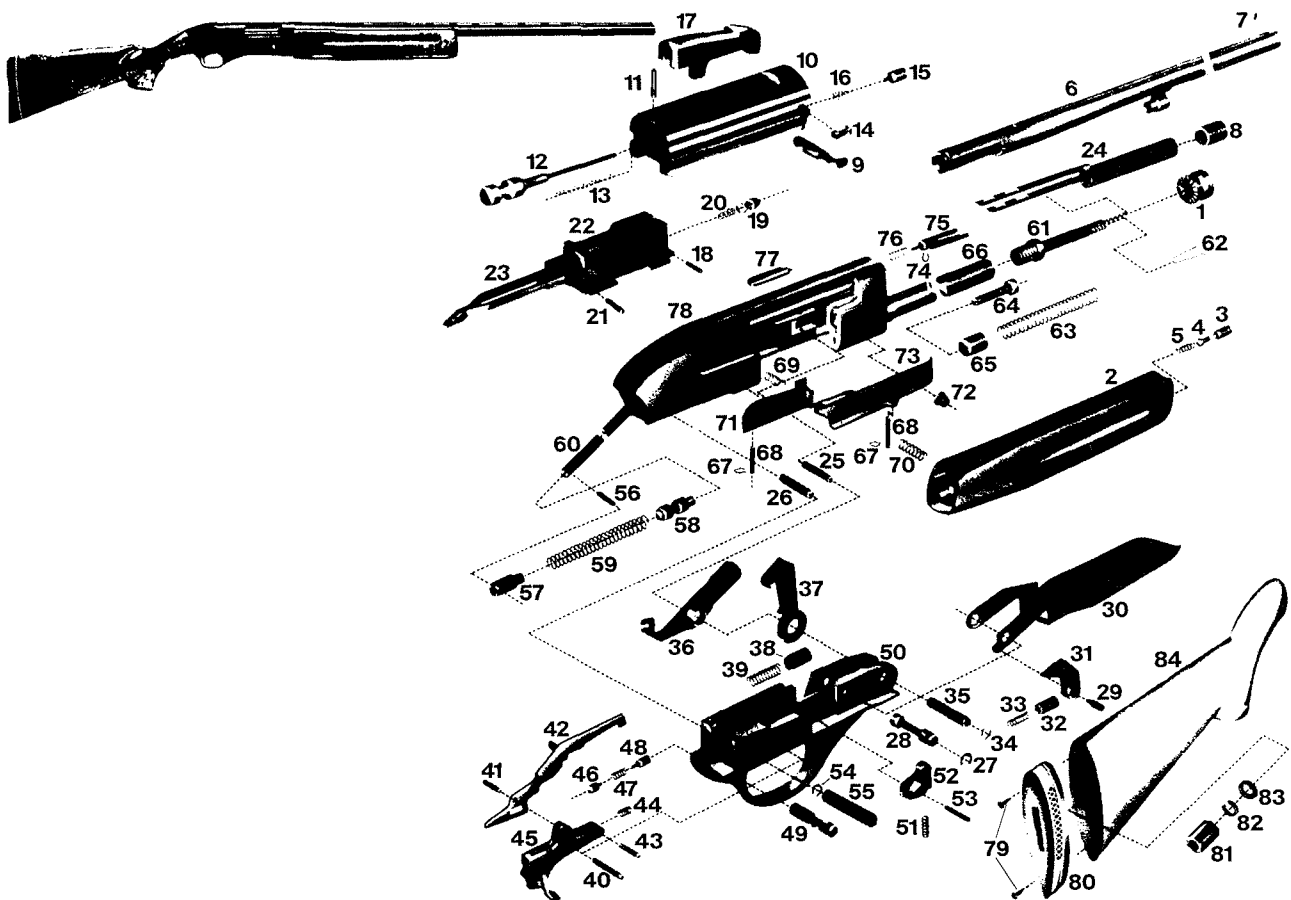
1	Receiver	26	Catch Pin	51	Trigger Pin
2	Barrel	27	Rib	52	Stock
3	Cover Plate	28	Sight Plate	53	Stock Screw
4	Trigger Stop	29	Cover, Complete	54	Cover Screws
5	Round Head Rivet	30	Sight Screws	55	Safety Assembly
6	Magazine Catch Body	31	Tension Pin	56	Gas Tube
7	Rivets	32	Gas Piston	57	Magazine Catch
8	Cam Plate Rivet	33	Slide	58	Magazine Catch Spring
9	Bolt Cam Plate	34	Retaining Screw	59	Magazine Catch Pin
10	Gas Block	35	Conical Spring Washer	60	Sear Spring
11	Taper Pins	36	Retaining Ring	61	Sear Pin
12	Firing Pin	37	Screws	62	Hammer Spring
13	Bolt (Carrier Assembly)	38	Sling Swivel	63	Recoil Spring Body
14	Extractor Spring	39	Sling Swivel Base	64	Recoil Spring
15	Extractor Pin	40	Buttplate	65	Front Sight Adjustment Screws
16	Firing Pin Spring	41	Front Sight Base	66	Washer
17	Extractor	42	Disconnecter	67	Spring Plate Assembly
18	Firing Pin Retainer Pin	43	Forend Screw	68	Feeding Ramp Assembly
19	Retaining Rings	44	Forend Nut	69	Magazine Body Assembly
20	Sear, Complete	45	Pin Retainer Spring	70	Magazine Spring
21	Trigger, Complete	46	Forend	71	Bottom Plate
22	Trigger Bar	47	Forend Band	72	Angle Piece
23	Sight Spring	48	Hammer	73	Distance Piece, Straight
24	Sight Plate Pin	49	Trigger Guard Screw	74	Support Tube
25	Sight Plate Body	50	Trigger Guard		

Athena and Orion Over/Under Shotgun



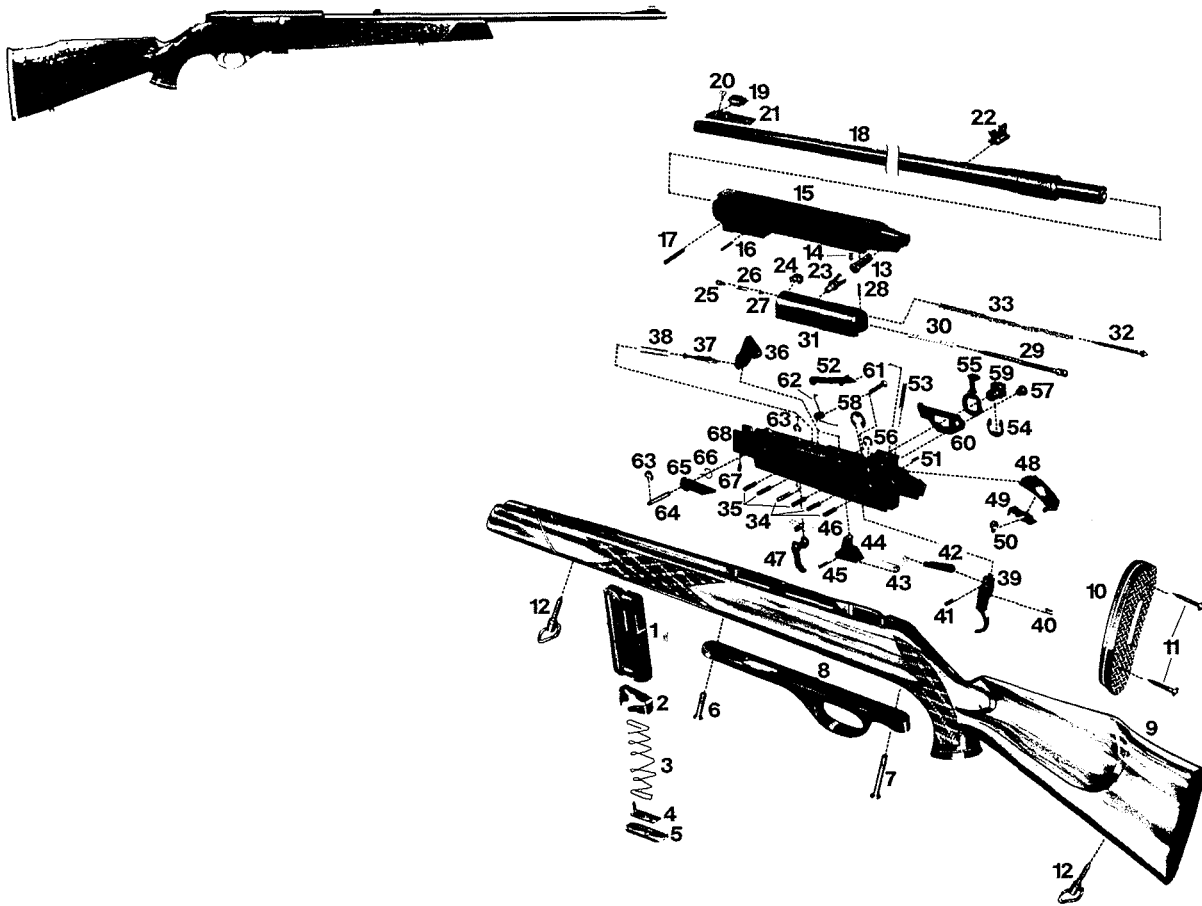
1	Forend Piece Screws	34	Buttstock	66	Selector Spring Plunger
2	Forend Nuts	35	Trigger Guard	67	Connector Guide Plate Pin
3	Forend Lever Spring Retaining Screw	36	Receiver Tang Screw	68	Connector Guide Plate
4	Forend Lever Spring	37	Receiver Shank	69	Selector Button
5	Forend Lever Pin	38	Trigger Plate Locking Screw	70	Trigger
6	Forend Lever	39	Trigger Plate Screw	71	Trigger Plate
7	Cocking Lever Screw	40	Hammer Spring, Left	72	Top Lever Spring Screw
8	Left Cocking Lever	41	Hammer Spring, Right	73	Top Lever Spring
9	Right Cocking Lever	42	Hammer Pin	74	Safety Button Spring Retaining Screw
10	Cocking Lever Springs	43	Hammer, Left	75	Safety Button Spring
11	Cocking Lever Spring Plungers	44	Hammer, Right	76	Safety Button Pins
12	Forend Piece	45	Hammer Spring Retaining Pin	77	Trigger Block
13	Forend	46	Sear Pin	78	Safety Button
14	Ejector, Left	47	Sear Spring Retaining Screw, Left	79	Cocking Piece Pin
15	Ejector, Right	48	Sear Spring Retaining Screw, Right	80	Cocking Piece Retractor Springs
16	Ejector Spring Guides	49	Sear Spring, Left	81	Cocking Piece, Left
17	Ejector Springs	50	Sear Spring, Right	82	Cocking Piece, Right
18	Front Sight	51	Sear, Left	83	Cocking Rods
19	Middle Sight	52	Sear, Right	84	Firing Pin Retainers
20	Barrel Assembly	53	Connector Pin Snap Rings	85	Firing Pin, Over (Long)
21	Sideplate Screws	54	Connector Pin Washers	86	Firing Pin, Under (Short)
22	Sideplate Spacer Rod	55	Connector Pin	87	Firing Pin Retractor Springs
23	Sideplate, Left	56	Connector Spring Plunger	88	Top Lever Shaft Screw
24	Sideplate, Right	57	Connector Spring	89	Top Lever Shaft
25	Recoil Pad Screws	58	Mechanical Switchover Screw	90	Top Lever
26	Recoil Pad	59	Mechanical Switchover	91	Locking Piece
27	Stock Bolt Nut	60	Connector	92	Locking Piece Retainer
28	Stock Bolt Spring Washer	61	Trigger Spring Retaining Screw	93	Locking Piece Retainer Spring
29	Stock Bolt Washer	62	Trigger Spring	94	Pivot Retainer Screw
30	Stock Bolt	63	Trigger Pin	95	Pivots
31	Trigger Guard Screw	64	Selector Spring Screw	96	Receiver
32	Pistol Grip Cap	65	Selector Spring		
33	Spacer				

Centurion Autoloading Shotgun



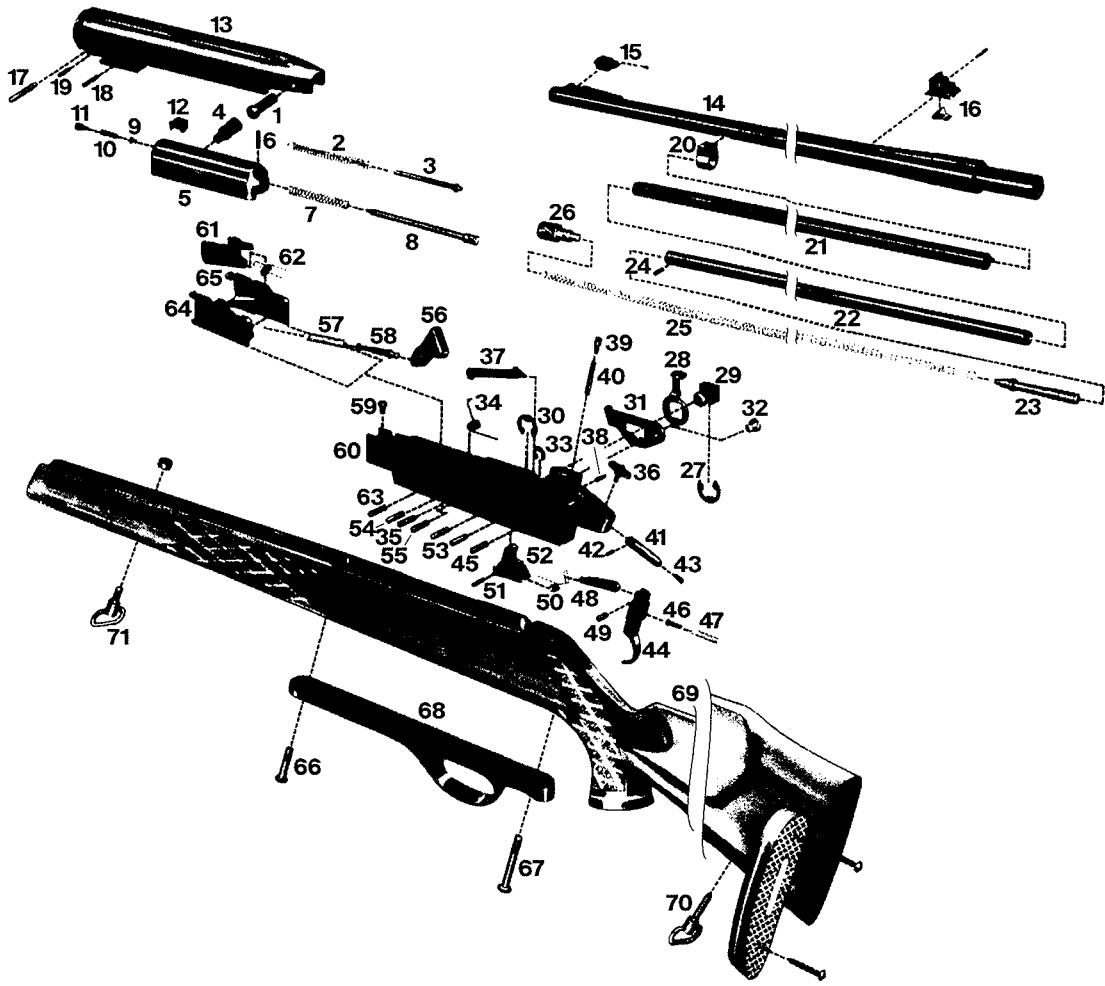
1	Forend Cap	29	Lifter Dog Pin	57	Action Tube Plug
2	Forend	30	Lifter	58	Action Tube Follower
3	Forend Cap Plunger Guide	31	Lifter Dog	59	Action Tube Spring
4	Forend Cap Plunger	32	Dog Follower	60	Action Tube
5	Plunger Spring	33	Dog Follower Spring	61	Magazine Extension
6	Barrel	34	Detent Spring	62	Extension Retainer
7	Front Sight	35	Hammer Pivot Tube	63	Magazine Spring
8	Gas Piston	36	Lock Shaft Assembly	64	Magazine Plug
9	Operating Handle	37	Hammer	65	Magazine Follower
10	Bolt	38	Hammer Plunger	66	Magazine Tube
11	Retaining Pin	39	Hammer Plunger Spring	67	Latch Pin Retainers
12	Firing Pin	40	Trigger Pin	68	Latch Pins
13	Firing Pin Spring	41	Disconnecter Pin	69	Latch Spring
14	Extractor	42	Disconnecter	70	Blocker Spring
15	Extractor Plunger	43	Trigger Spring Pin	71	Feed Latch
16	Extractor Spring	44	Trigger Spring	72	Bolt Release Button
17	Locking Block	45	Trigger	73	Blocker Assembly
18	Retaining Pin	46	Retainer Screw	74	Ejector Retainer
19	Carrier Plunger	47	Safety Spring	75	Ejector
20	Plunger Spring	48	Safety Plunger	76	Ejector Spring
21	Carrier Extension Pin	49	Safety Button	77	Receiver Insert
22	Carrier	50	Trigger Frame	78	Receiver
23	Carrier Extension Assembly	51	Sear Spring	79	Recoil Pad Screws
24	Slide	52	Sear	80	Recoil Pad
25	Front Trigger Frame Pin	53	Sear Pin	81	Action Tube Nut
26	Rear Trigger Frame Pin	54	Detent Spring	82	Action Tube Lock Washer
27	Retaining Ring	55	Rear Trigger Frame Tube	83	Buttstock Washer
28	Lifter Pivot	56	Action Tube Plug Pin	84	Buttstock

Mark XXII (Clip) Autoloading Rifle



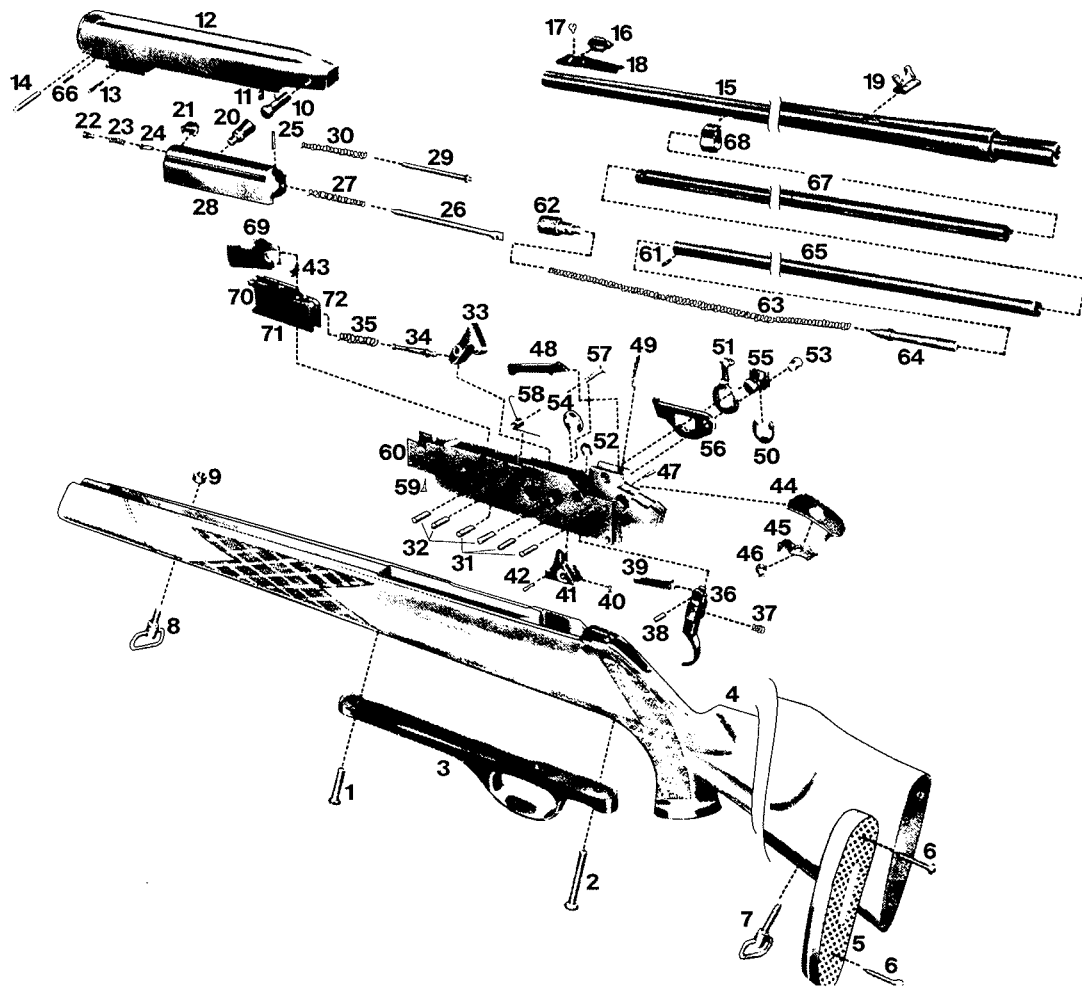
1	Magazine Box	25	Extractor Plunger	47	Magazine Release
2	Magazine Follower	26	Extractor Spring	48	Safety Tang Plate
3	Magazine Spring	27	Operating Handle Plunger	49	Safety Slide
4	Magazine Shoe Retainer	28	Firing Pin Retaining Pin	50	Safety Button
5	Magazine Shoe	29	Firing Pin	51	Safety-Lever Pin
6	Trigger Guard Screw, Front	30	Firing Pin Spring	52	Safety-Lever
7	Trigger Guard Screw, Rear	31	Bolt	53	Safety-Lever Spring
8	Trigger Guard	32	Recoil Spring Guide	54	Selector Stud Retaining Ring
9	Stock	33	Recoil Spring	55	Selector Lever
10	Buttpad	34	Hammer, Sear and Trigger Pins	56	Selector Lever Pin Retaining Ring
11	Buttpad Screws	35	Hammer Stop, Magazine Release and Sear Stop Pins	57	Selector Lever Plate Pin
12	Sling Swivel Assembly	36	Hammer	58	Selector Stud Lock Ring
13	Takedown Pin	37	Hammer Spring Guide	59	Selector Stud
14	Takedown Pin Spring	38	Hammer Spring	60	Selector Lever Plate
15	Receiver	39	Trigger	61	Trigger Assembly Cross Screw
16	Locating Pin	40	Trigger Spring	62	Selector Spring
17	Barrel Pin	41	Disconnecter Pin	63	Bolt Lock Pin Retaining Ring
18	Barrel	42	Disconnecter	64	Bolt Lock Pin
19	Front Sight	43	Disconnecter Spring	65	Bolt Lock Lever
20	Front Sight Ramp Screw	44	Sear	66	Bolt Lock Spring
21	Front Sight Ramp	45	Disconnecter Spring Pin	67	Tension Screw
22	Rear Sight	46	Magazine Release Spring	68	Trigger Frame Assembly
23	Operating Handle				
24	Extractor				

Mark XXII (Tube) Autoloading Rifle (Pre-1982)



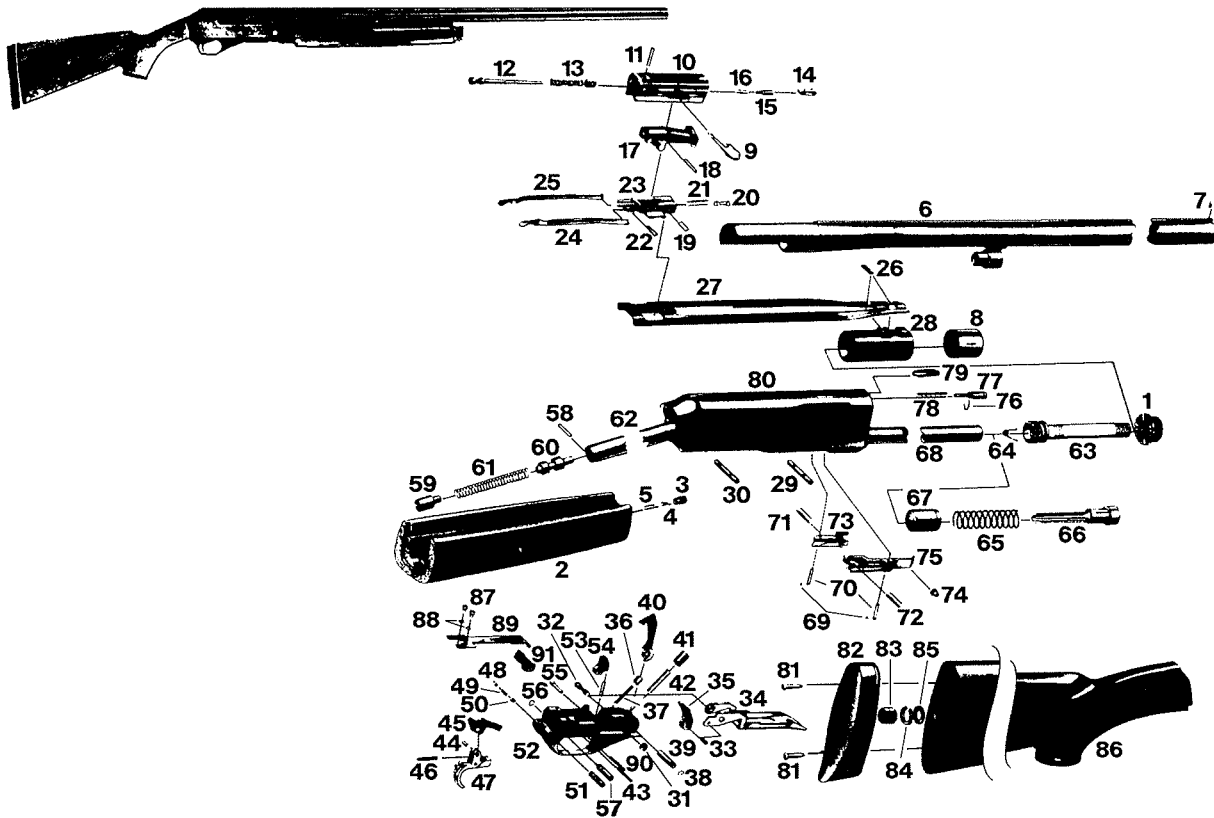
1	Takedown Pin	25	Magazine Spring	48	Disconnecter
2	Recoil Spring	26	Magazine Plug	49	Disconnecter Pin
3	Recoil Spring Guide	27	Selector Stud Retaining Ring	50	Disconnecter Spring
4	Operating Handle	28	Selector Lever	51	Disconnecter Spring Pin
5	Bolt	29	Selector Stud	52	Sear
6	Firing Pin Retaining Pin	30	Selector Stud Lock Ring	53	Sear Pin
7	Firing Pin Spring	31	Selector Lever Plate	54	Hammer Stop Pin
8	Firing Pin	32	Selector Lever Plate Pin	55	Hammer Pin
9	Operating Plunger	33	Selector Lever Pin Retaining Ring	56	Hammer
10	Extractor Spring	34	Selector Spring	57	Hammer Spring
11	Extractor Plunger	35	Selector Lever Spring Pin	58	Hammer Spring Guide
12	Extractor	36	Safety	59	Tension Screw
13	Receiver	37	Safety-Lever	60	Frame
14	Barrel	38	Safety-Lever Pin	61	Lifter
15	Front Sight	39	Safety-Lever Plunger	62	Lifter Spring
16	Rear Sight	40	Safety-Lever Plunger Spring	63	Lifter Spring Pin
17	Barrel Pin	41	Safety Plunger	64	Left Cartridge Guide
18	Retaining Pin	42	Safety Plunger Pin	65	Right Cartridge Guide
19	Frame Retaining Pin	43	Safety Lock Screw	66	Front Trigger Guard Screw
20	Magazine Ring	44	Trigger	67	Rear Trigger Guard Screw
21	Outer Magazine Tube	45	Trigger Pin	68	Trigger Guard
22	Inner Magazine Tube	46	Trigger Plunger	69	Stock
23	Magazine Follower	47	Trigger Plunger Spring	70	Rear Swivel
24	Magazine Plug Pin			71	Front Swivel

Mark XXII (Tube) Autoloading Rifle (Post-1982)



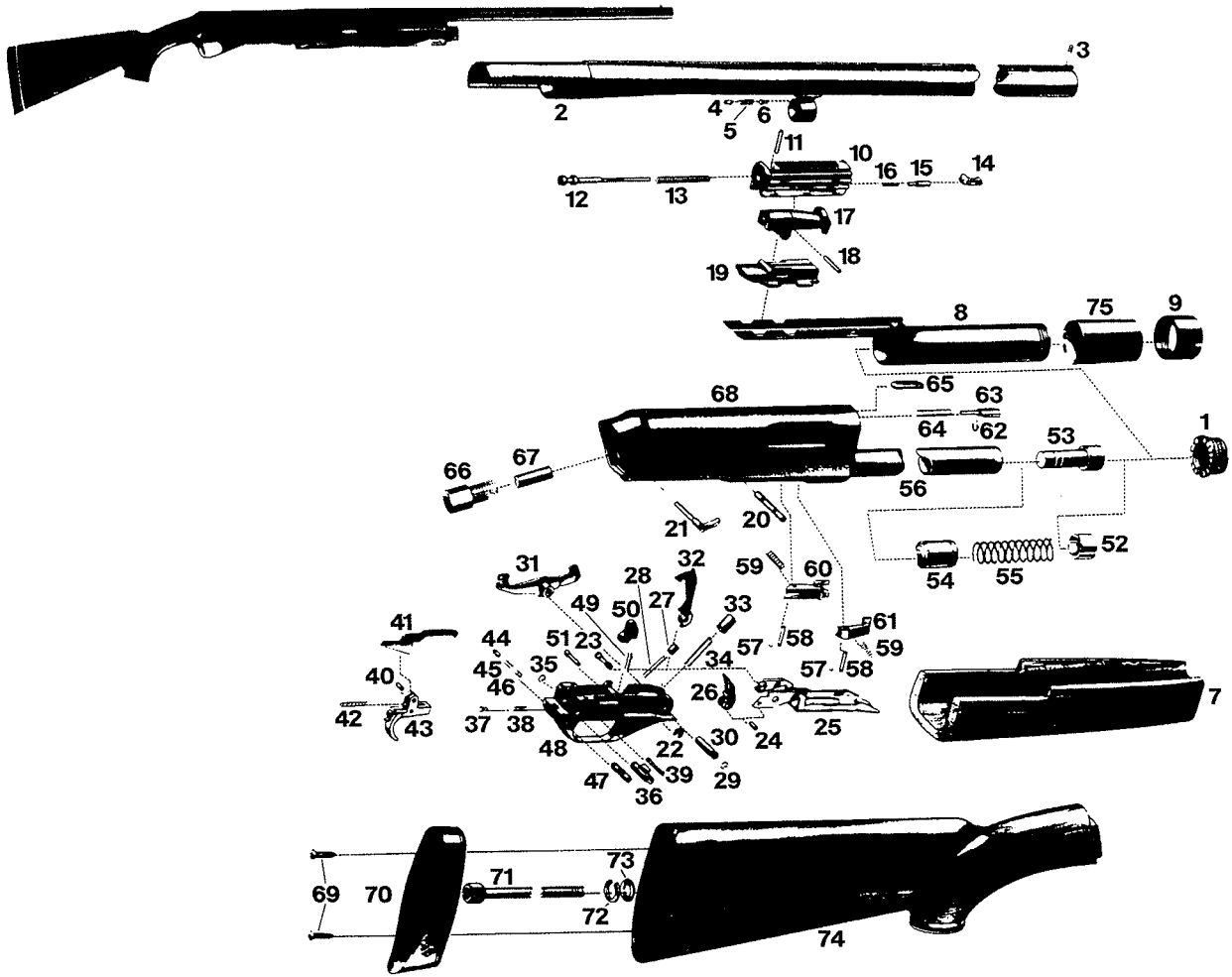
1	Front Trigger Guard Screw	26	Firing Pin	50	Selector Stud Retaining Ring
2	Rear Trigger Guard Screw	27	Firing Pin Spring	51	Selector Lever
3	Trigger Guard	28	Bolt	52	Selector Lever Pin Retaining Ring
4	Stock	29	Recoil Spring Guide	53	Selector Lever Plate Pin
5	Buttpad	30	Recoil Spring	54	Selector Stud Lock Ring
6	Buttpad Screws	31	Hammer, Sear and Trigger Pins	55	Selector Stud
7	Rear Sling Swivel Assembly	32	Hammer Stop, Sear Stop and Lifter Spring Pins	56	Selector Lever Plate
8	Front Sling Swivel Assembly	33	Hammer	57	Trigger Assembly Cross Screw
9	Front Sling Swivel Nut	34	Hammer Spring Guide	58	Selector Spring
10	Takedown Pin	35	Hammer Spring	59	Tension Screw
11	Takedown Pin Spring	36	Trigger	60	Trigger Frame Assembly
12	Receiver	37	Trigger Spring	61	Magazine Plug Pin
13	Locating Pin	38	Disconnecter Pin	62	Magazine Plug
14	Barrel Pin	39	Disconnecter	63	Magazine Spring
15	Barrel	40	Disconnecter Spring	64	Magazine Follower
16	Front Sight	41	Sear	65	Inner Magazine Tube
17	Front Sight Ramp Screw	42	Disconnecter Spring Pin	66	Magazine Tube Pin
18	Front Sight Ramp	43	Lifter Spring	67	Outer Magazine Tube
19	Rear Sight	44	Safety Tang Plate	68	Magazine Ring
20	Operating Handle	45	Safety Slide	69	Lifter
21	Extractor	46	Safety Button	70	Cartridge Guide Assembly
22	Extractor Plunger	47	Safety-Lever Pin	71	Left Cartridge Guide
23	Extractor Spring	48	Safety-Lever	72	Right Cartridge Guide
24	Operating Handle Plunger	49	Safety-Lever Spring		
25	Firing Pin Retaining Pin				

Model 82 Autoloading Shotgun



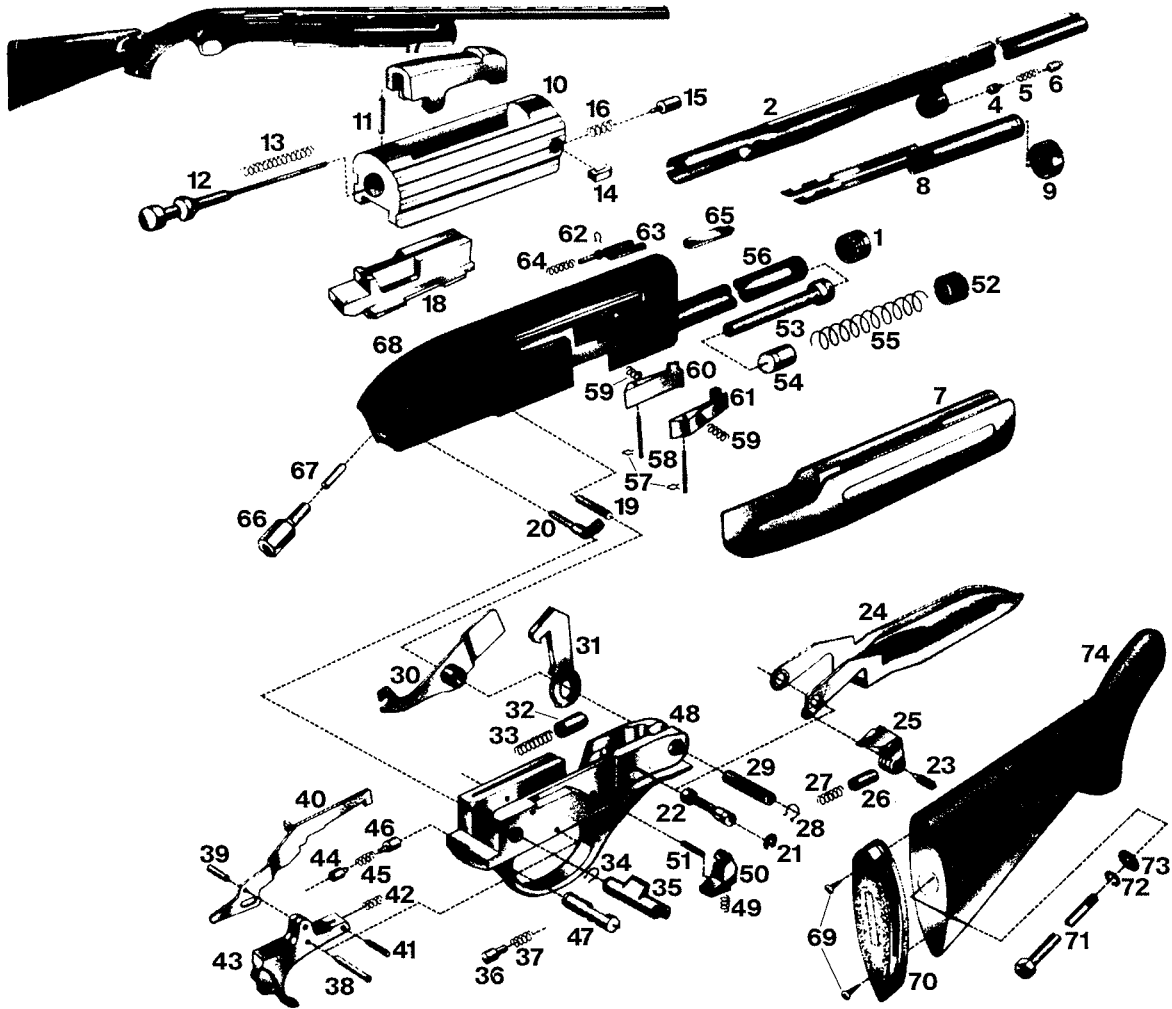
1	Forearm Cap	32	Lifter Pivot	63	Magazine Extension
2	Forearm	33	Lifter Dog Pin	64	Extension Retainer
3	Forearm Cap Plunger Guide	34	Lifter	65	Magazine Spring
4	Forearm Cap Plunger	35	Lifter Dog	66	Magazine Plug
5	Plunger Spring	36	Dog Follower	67	Magazine Follower
6	Barrel Assembly	37	Dog Follower Spring	68	Magazine Tube
7	Front Bead	38	Detent Spring	69	Latch Pin Retainers
8	Gas Piston	39	Hammer Pivot Tube	70	Latch Pins
9	Operating Handle	40	Hammer	71	Latch Spring
10	Bolt	41	Hammer Plunger	72	Blocker Spring
11	Firing Pin Retaining Pin	42	Hammer Plunger Spring	73	Feed Latch
12	Firing Pin	43	Trigger Pin	74	Bolt Release Button
13	Firing Pin Spring	44	Disconnecter Pin	75	Blocker Assembly
14	Extractor	45	Disconnecter	76	Ejector Retainer
15	Extractor Plunger	46	Trigger Spring	77	Ejector
16	Extractor Spring	47	Trigger	78	Ejector Spring
17	Locking Block	48	Retainer Screw	79	Receiver Insert
18	Locking Block Pin	49	Safety Spring	80	Receiver
19	Plunger Retaining Pin	50	Safety Plunger	81	Recoil Pad Screw
20	Carrier Plunger	51	Safety Button	82	Recoil Pad
21	Plunger Spring	52	Trigger Frame	83	Action Tube Nut
22	Carrier Extension Pin	53	Sear Spring	84	Action Tube Lock Washer
23	Bolt Carrier	54	Sear	85	Buttstock Washer
24	Carrier Extension, Right	55	Sear Pin	86	Buttstock
25	Carrier Extension, Left	56	Detent Spring	87	Protecting Cover Screws
26	Slide Tube Key	57	Rear Trigger Frame Tube	88	Lock Washers
27	Slide Bar	58	Action Tube Plug Pin	89	Protecting Cover
28	Slide Tube	59	Action Tube Plug	90	Disconnecter Link Pin
29	Front Trigger Frame Pin	60	Action Tube Follower	91	Disconnecter Link
30	Rear Trigger Frame Pin	61	Action Tube Spring		
31	Lifter Pivot Retaining Ring	62	Action Tube		

Model 92 Slide-Action Shotgun



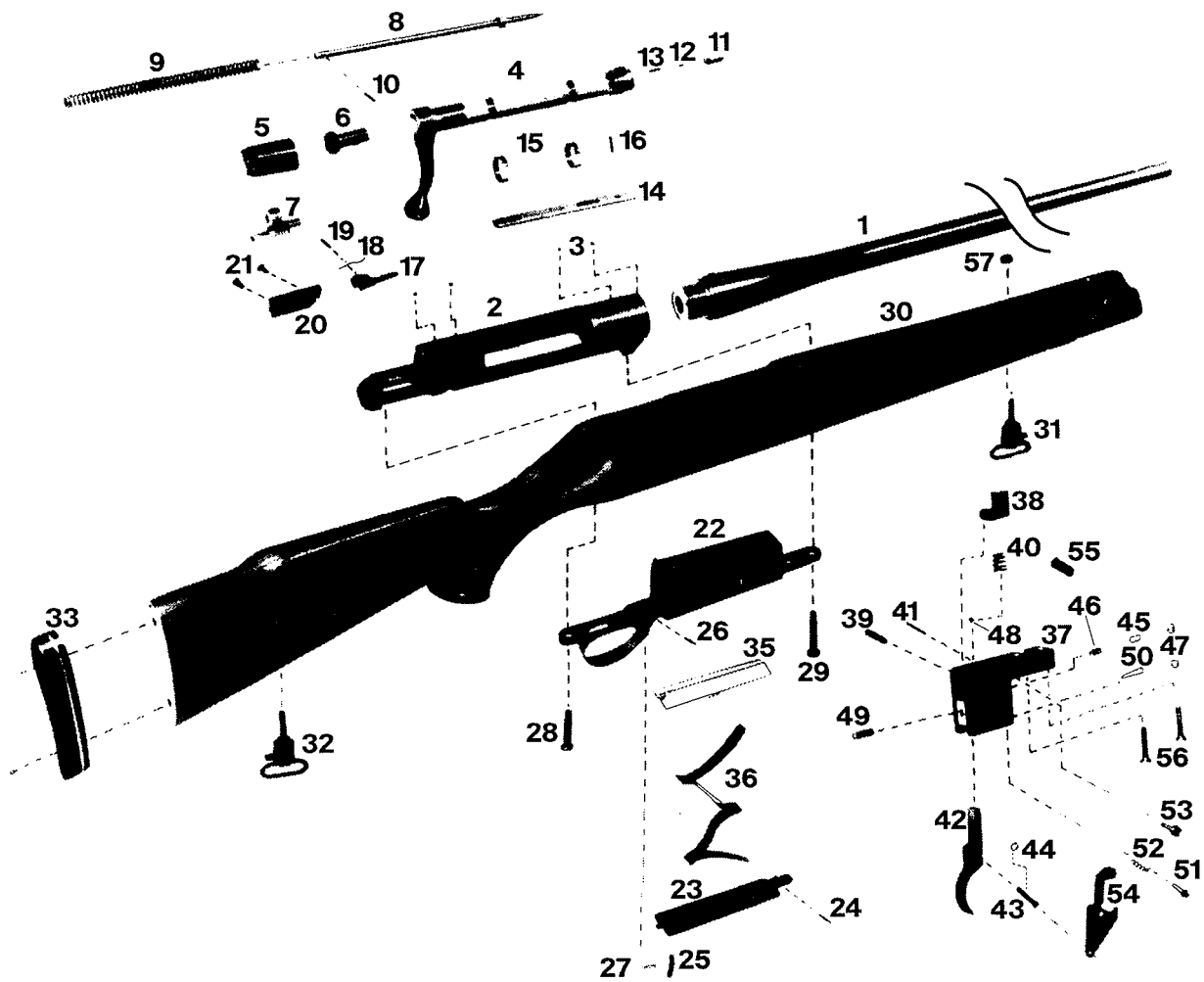
1	Forearm Cap	26	Lifter Dog	51	Sear Pin
2	Barrel Assembly	27	Dog Follower	52	Magazine Spring Retainer
3	Front Bead	28	Dog Follower Spring	53	Magazine Plug
4	Detent Screw	29	Detent Spring	54	Magazine Follower
5	Detent Spring	30	Hammer Pivot Tube	55	Magazine Spring
6	Detent Plunger	31	Lockshaft Assembly	56	Magazine Tube
7	Forearm	32	Hammer	57	Latch Pin Retainers
8	Slide Assembly	33	Hammer Plunger	58	Latch Pins
9	Forearm Tube Nut	34	Hammer Plunger Spring	59	Latch Springs
10	Bolt	35	Detent Spring	60	Feed Latch
11	Firing Pin Retaining Pin	36	Cam	61	Blocker
12	Firing Pin	37	Cam Plunger	62	Ejector Retainer
13	Firing Pin Spring	38	Cam Plunger Spring	63	Ejector
14	Extractor	39	Trigger Pin	64	Ejector Spring
15	Extractor Plunger	40	Disconnecter Pin	65	Receiver Insert
16	Extractor Spring	41	Disconnecter	66	Stock Bolt Adaptor
17	Locking Block	42	Trigger Spring	67	Buffer
18	Locking Block Pin	43	Trigger	68	Receiver
19	Bolt Carrier	44	Retainer Screw	69	Wood Screws
20	Front Trigger Frame Pin	45	Safety Spring	70	Recoil Pad
21	Forearm Release Lever	46	Safety Plunger	71	Stock Bolt
22	Retaining Ring	47	Safety Button	72	Lock Washer
23	Lifter Pivot	48	Trigger Frame	73	Buttstock Washer
24	Lifter Dog Pin	49	Sear Spring	74	Buttstock
25	Lifter	50	Sear	75	Spacer

Patrician Slide-Action Shotgun



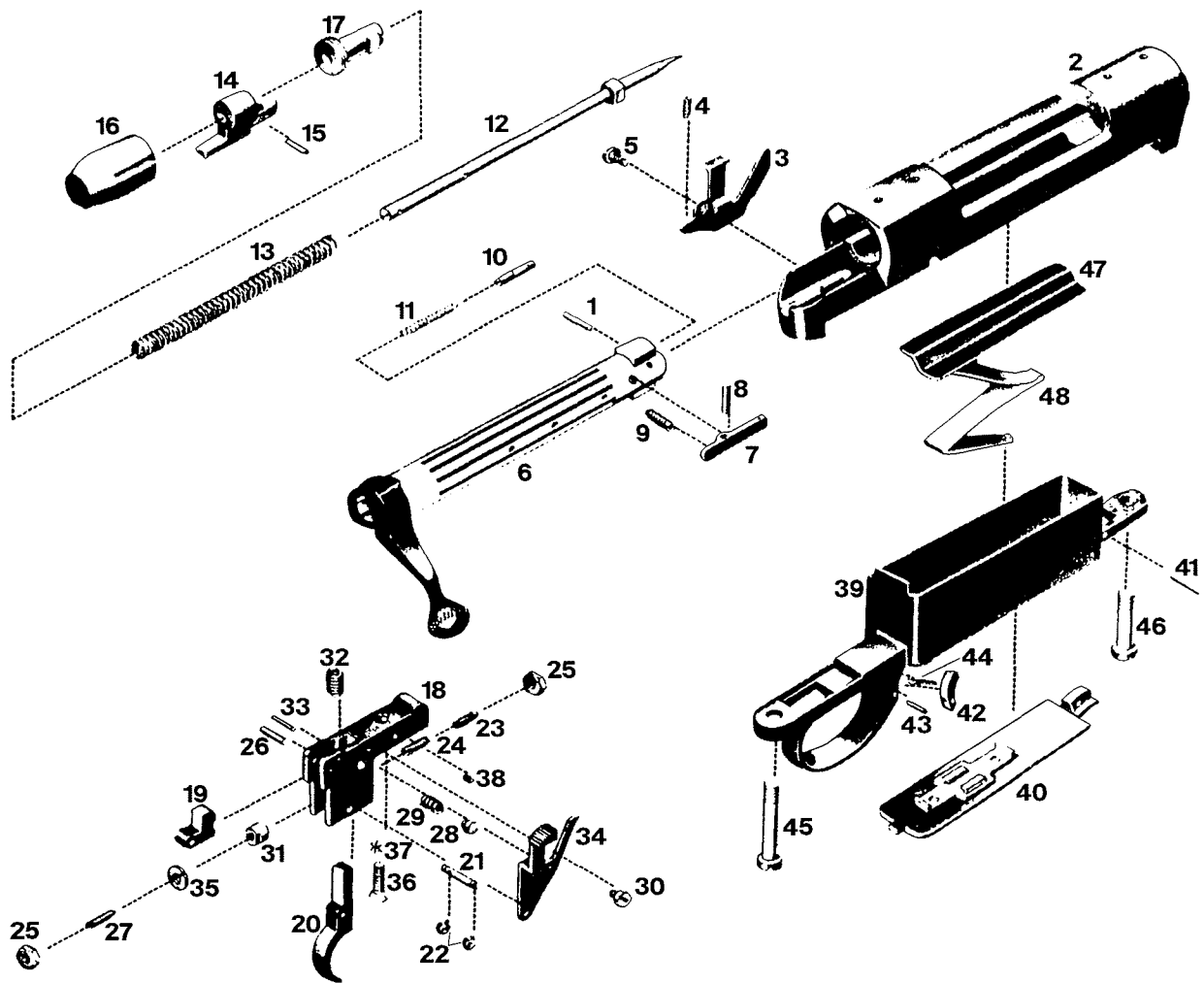
1	Forend Cap	26	Dog Follower	51	Sear Pin
2	Barrel	27	Dog Follower Spring	52	Magazine Spring Retainer
3	Front Sight	28	Detent Spring	53	Magazine Plug
4	Detent Screw	29	Hammer Pivot Tube	54	Magazine Follower
5	Detent Spring	30	Lock Shaft Assembly	55	Magazine Spring
6	Detent Plunger	31	Hammer	56	Magazine
7	Forend	32	Hammer Plunger	57	Latch Pin Retainers
8	Slide	33	Hammer Plunger Spring	58	Latch Pins
9	Forend Tube Nut	34	Detent Spring	59	Latch Springs
10	Bolt	35	Cam	60	Feed Latch
11	Retaining Pin	36	Cam Plunger	61	Blocker
12	Firing Pin	37	Cam Plunger Spring	62	Ejector Retainer
13	Firing Pin Spring	38	Trigger Pin	63	Ejector
14	Extractor	39	Disconnecter Pin	64	Ejector Spring
15	Extractor Plunger	40	Disconnecter	65	Receiver Insert
16	Extractor Spring	41	Trigger Spring Pin	66	Stock Bolt Adaptor
17	Locking Block	42	Trigger Spring	67	Buffer
18	Carrier	43	Trigger	68	Receiver
19	Front Trigger Frame Pin	44	Retainer Screw	69	Recoil Pad Screws
20	Forend Release Lever	45	Safety Spring	70	Recoil Pad
21	Retaining Ring	46	Safety Plunger	71	Stock Bolt
22	Lifter Pivot	47	Safety Button	72	Lock Washer
23	Lifter Dog Pin	48	Trigger Frame	73	Buttstock Washer
24	Lifter	49	Sear Spring	74	Buttstock
25	Lifter Dog	50	Sear		

Vanguard Bolt-Action Rifle (Pre-1981)



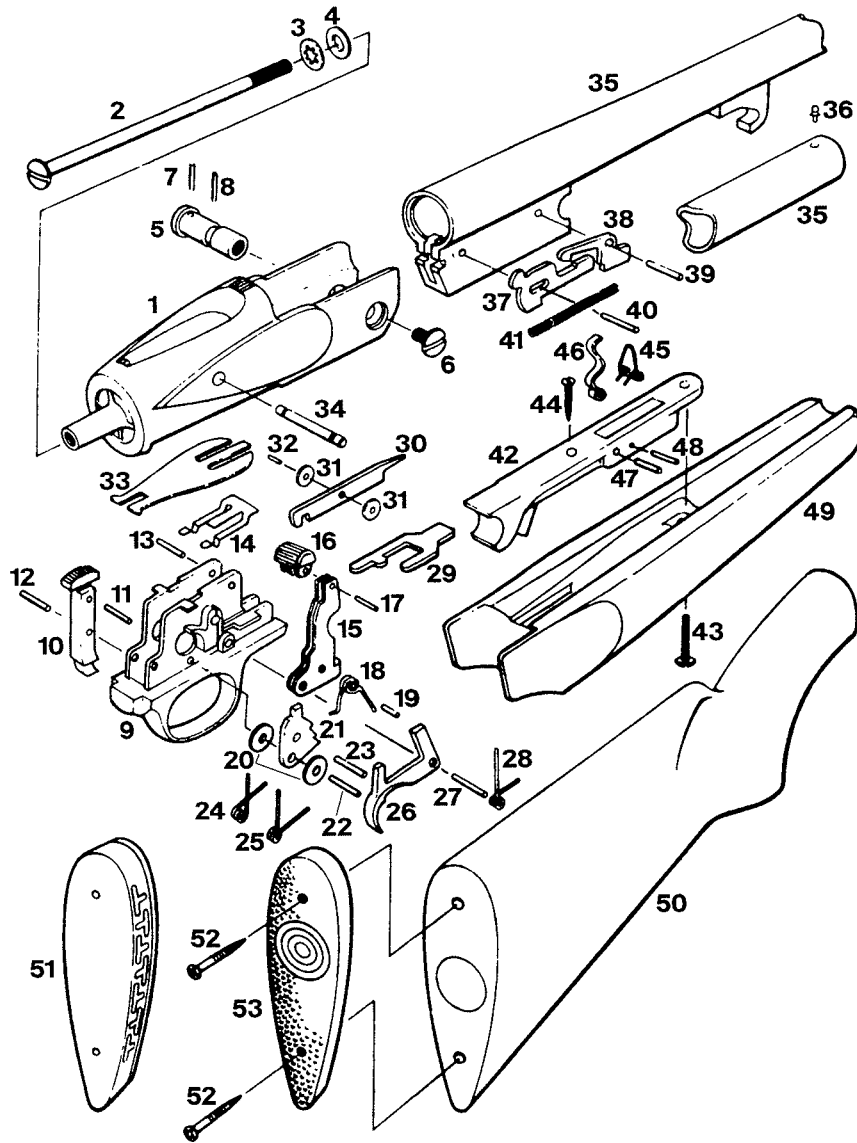
1	Barrel	20	Ejector Housing	39	Sear Pin
2	Receiver	21	Housing Screws	40	Sear Spring
3	Plug Screws	22	Trigger Guard	41	Sear Stopper Pin
4	Bolt	23	Floorplate	42	Trigger
5	Bolt Sleeve Body	24	Floorplate Hinge Pin	43	Trigger Pin
6	Bolt Sleeve Shank	25	Floorplate Catch	44	Retaining Ring
7	Cocking Piece	26	Floorplate Catch Pin	45	Trigger Spring Stopper
8	Firing Pin	27	Floorplate Catch Spring	46	Trigger Spring
9	Firing Pin Spring	28	Rear Trigger Guard Screw	47	Lock Nuts
10	Firing Pin Retaining Pin	29	Front Trigger Guard Screw	48	Lock Screw
11	Extractor	30	Stock	49	Rear Trigger Adjusting Screw
12	Extractor Plunger	31	Front Sling Swivel	50	Front Trigger Adjusting Screw
13	Extractor Spring	32	Rear Sling Swivel	51	Safety Plunger
14	Bolt Guide Plate	33	Buttplate	52	Safety Spring
15	Bolt Guide Plate Rings	34	Buttplate Screws	53	Safety-Lever Guide Screw
16	Stopper Spring	35	Magazine Follower	54	Safety-Lever
17	Ejector	36	Follower Spring	55	Trigger Housing Pin
18	Ejector Spring	37	Trigger Housing	56	Trigger Housing Screws
19	Ejector Pin	38	Sear	57	Forearm Escutcheon

Vanguard Bolt-Action Rifle (Post-1981)



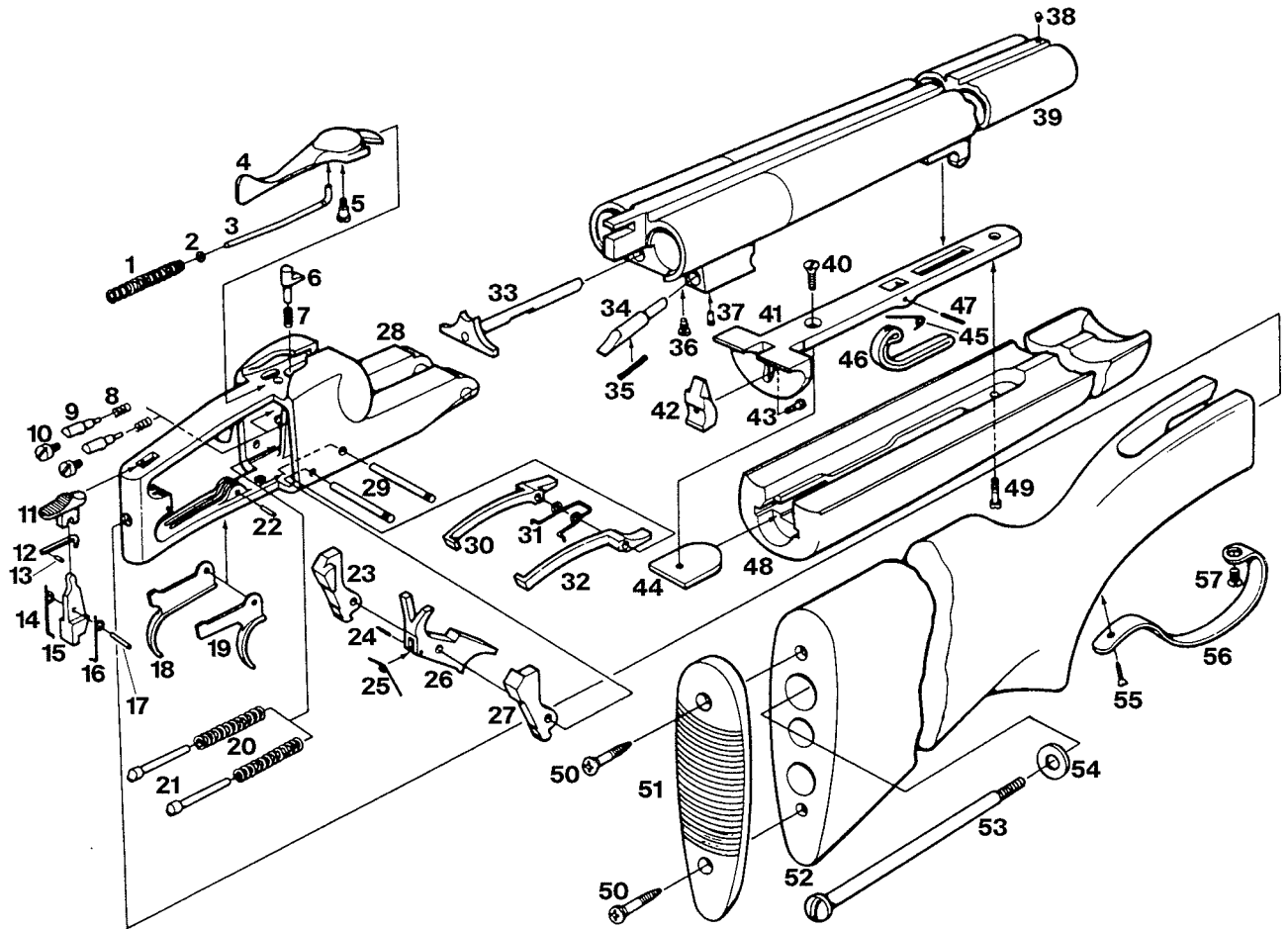
1	Ejector Pin	18	Trigger Housing	34	Safety-Lever
2	Receiver	19	Sear	35	Creep Screw Washer
3	Bolt Stop	20	Trigger	36	Trigger Housing Attachment Screw
4	Bolt Stop Spring	21	Trigger Pin	37	Housing Screw Star Washer
5	Bolt Stop Screw	22	Retaining Rings	38	Housing Screw Set Screw
6	Bolt Body	23	Trigger Adjusting Screw, Pull Weight	39	Trigger Guard/Magazine
7	Extractor	24	Trigger Spring	40	Floorplate
8	Extractor Pin	25	Lock Nuts	41	Floorplate Pin
9	Extractor Spring	26	Sear Pin	42	Floorplate Catch
10	Ejector	27	Trigger Adjusting Screw, Creep	43	Floorplate Catch Pin
11	Ejector Spring	28	Safety Plunger	44	Floorplate Catch Spring
12	Firing Pin	29	Safety Spring	45	Trigger Guard Screw, Rear
13	Firing Pin Spring	30	Safety-Lever Screw	46	Trigger Guard Screw, Front
14	Cocking Piece	31	Creep Screw Block	47	Magazine Follower
15	Firing Pin Retaining Pin	32	Sear Spring	48	Follower Spring
16	Bolt Sleeve Body	33	Sear Stopper Pin		
17	Bolt Sleeve Shank				

Model SB-100B Single Shot Shotgun



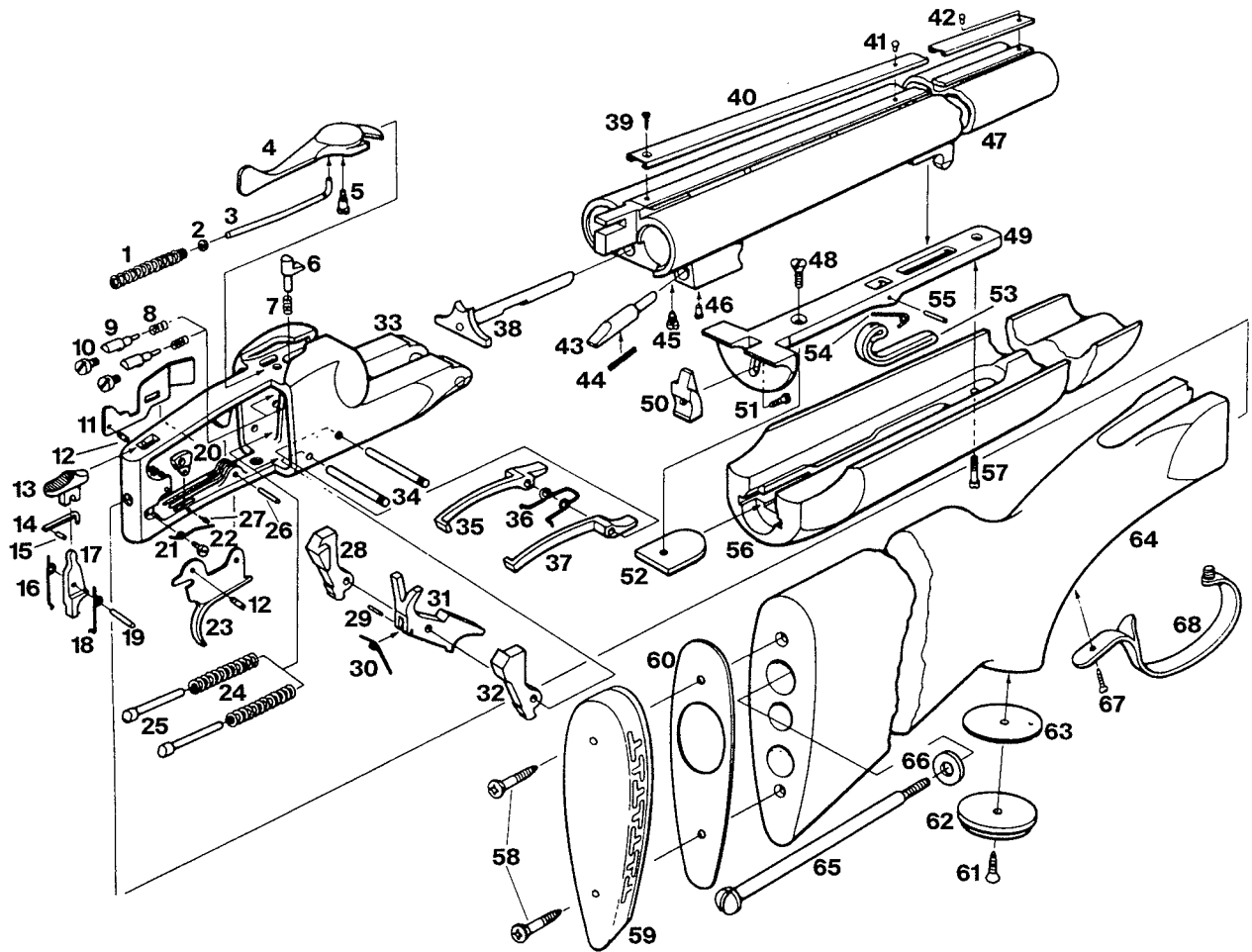
1	Frame	19	Release Lever Spring Pin	37	Ejector
2	Stock Bolt	20	Sear Washers	38	Ejector Sear
3	Stock Bolt Lock Washer	21	Sear	39	Ejector Sear Pin
4	Stock Bolt Washer	22	Sear Pin	40	Ejector Retaining Pin
5	Joint Pin	23	Sear Cross Pin	41	Ejector Spring
6	Joint Pin Screw	24	Sear Spring, Left	42	Forend Iron
7	Joint Locking Pin	25	Sear Spring, Right	43	Forend Screw
8	Ejector Actuating Pin	26	Trigger	44	Forend Iron Screw
9	Trigger Guard	27	Trigger Pin	45	Forend Spring Spring
10	Safety	28	Lock Spring	46	Forend Spring
11	Safety Detent Pin	29	Lock	47	Forend Spring Pin
12	Safety Pin	30	Firing Pin	48	Forend Spring Spring Pin
13	Firing Pin Guide Pin	31	Firing Pin Washers	49	Forend
14	Safety Detent Spring	32	Firing Pin Cross Pin	50	Stock
15	Release Lever	33	Cover Plate	51	Recoil Pad
16	Release Lever Thumb-Piece	34	Trigger Guard Pin	52	Buttplate Screws
17	Release Lever Thumb-Piece Pin	35	Barrel	53	Buttplate
18	Release Lever Spring	36	Front Sight		

Model SB-300 Side-by-Side Shotgun



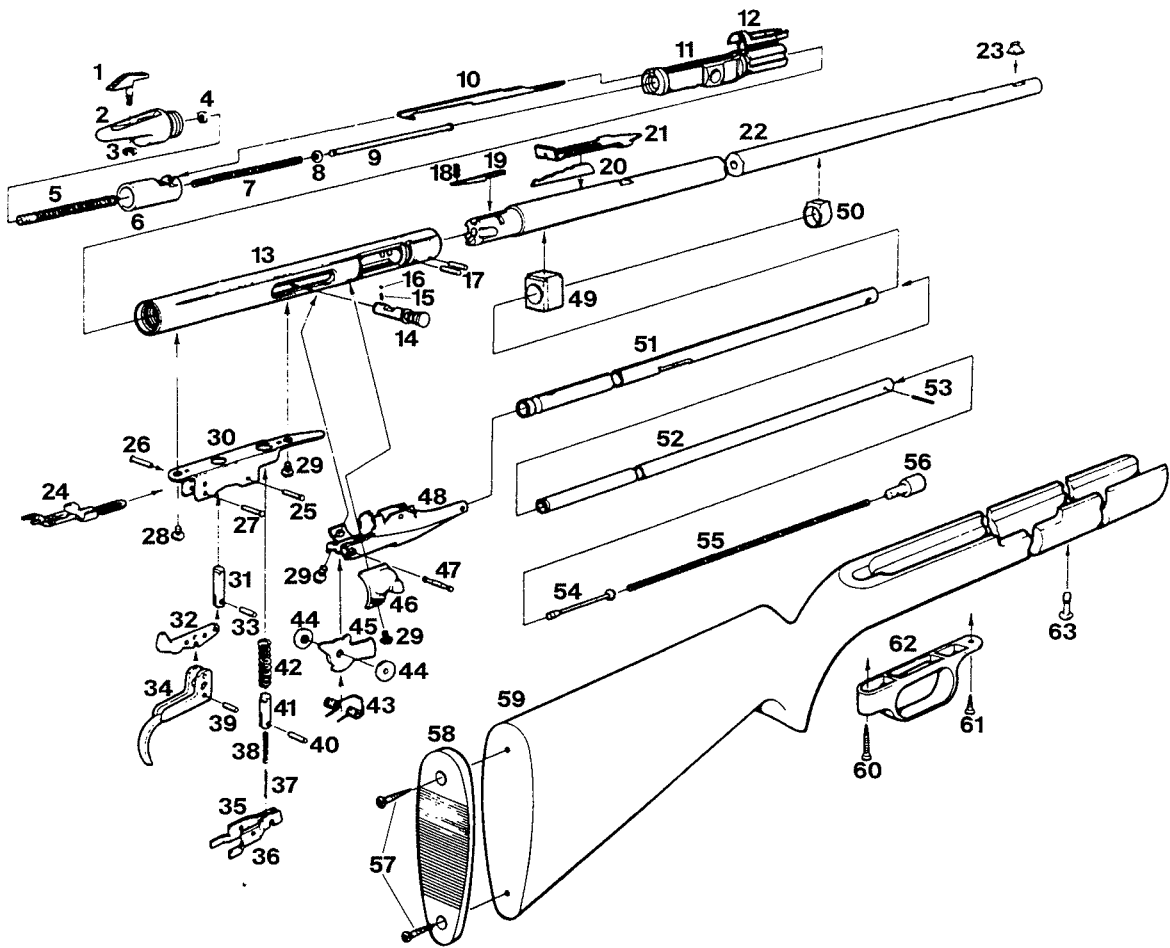
1	Top Snap Plunger Spring	21	Mainspring Plungers	38	Front Sight
2	Top Snap Plunger Collar	22	Trigger Pin	39	Barrel
3	Top Snap Plunger	23	Hammer, Left	40	Forend Screw, Rear
4	Top Snap	24	Cocking Lever Spring Pin	41	Forend Iron
5	Top Snap Screw	25	Cocking Lever Spring	42	Ejector
6	Top Snap Trip	26	Cocking Lever	43	Ejector Screw
7	Top Snap Trip Spring	27	Hammer, Right	44	Forend Insert
8	Firing Pin Springs	28	Frame	45	Forend Spring Spring
9	Firing Pins	29	Cocking Lever, Hammer and	46	Forend Spring
10	Firing Pin Retaining Screws		Sear Pins	47	Forend Spring Pin
11	Safety Button	30	Sear, Left	48	Forend Wood
12	Safety Spring	31	Sear Spring	49	Forend Screw, Front
13	Safety Plunger	32	Sear, Right	50	Buttplate Screws
14	Trigger Spring, Left	33	Extractor	51	Buttplate
15	Safety-Lever	34	Cocking Plunger	52	Stock
16	Trigger Spring, Right	35	Cocking Plunger Spring	53	Stock Bolt
17	Safety-Lever Pin	36	Extractor Screw	54	Stock Bolt Washer
18	Trigger, Left	37	Cocking Plunger Retaining	55	Trigger Guard Screw, Rear
19	Trigger, Right		Screw	56	Trigger Guard
20	Mainsprings			57	Trigger Guard Screw, Front

Model SB-312 Side-by-Side Shotgun



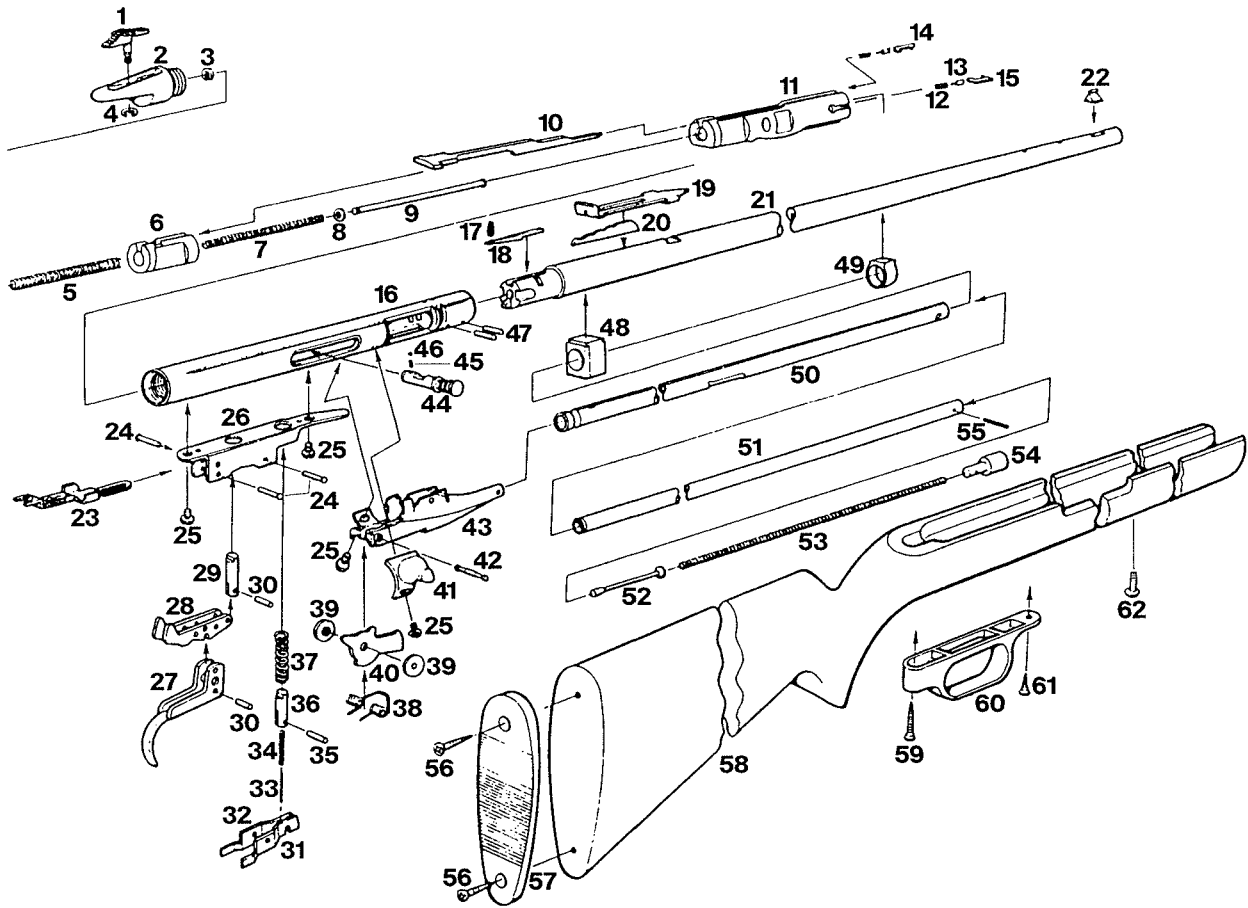
1	Top Snap Plunger Spring	25	Mainspring Plungers	46	Cocking Plunger Retaining Screw
2	Top Snap Plunger Collar	26	Trigger Pin	47	Barrel
3	Top Snap Plunger	27	Inertia Block Pin	48	Forend Screw, Rear
4	Top Snap	28	Hammer, Left	49	Forend Iron
5	Top Snap Screw	29	Cocking Lever Spring Pin	50	Ejector
6	Top Snap Trip	30	Cocking Lever Spring	51	Ejector Screw
7	Top Snap Trip Spring	31	Cocking Lever and Spring	52	Forend Insert
8	Firing Pin Springs	32	Hammer, Right	53	Forend Spring
9	Firing Pins	33	Frame	54	Forend Spring Spring
10	Firing Pin Retaining Screws	34	Cocking Lever, Hammer and Sear Pins	55	Forend Spring Pin
11	Slide	35	Sear, Left	56	Forend Wood
12	Trigger Stud	36	Sear Spring	57	Forend Screw, Front
13	Safety Button	37	Sear, Right	58	Recoil Pad Screws
14	Safety Spring	38	Extractor	59	Recoil Pad
15	Safety Plunger	39	Top Rib Lock Screw	60	Buttplate Liner
16	Slide Spring	40	Top Rib	61	Pistol Grip Cap Screw
17	Safety-Lever	41	Rear Sight	62	Pistol Grip Cap
18	Trigger Spring	42	Front Sight	63	Pistol Grip Cap Liner
19	Safety Lever Pin	43	Cocking Plunger	64	Stock
20	Inertia Block	44	Cocking Plunger Spring	65	Stock Bolt
21	Inertia Block Spring	45	Extractor Screw	66	Stock Bolt Washer
22	Inertia Block Spring Screw			67	Trigger Guard Screw
23	Trigger			68	Trigger Guard
24	Mainsprings				

Model SB-808C Autoloading Rifle



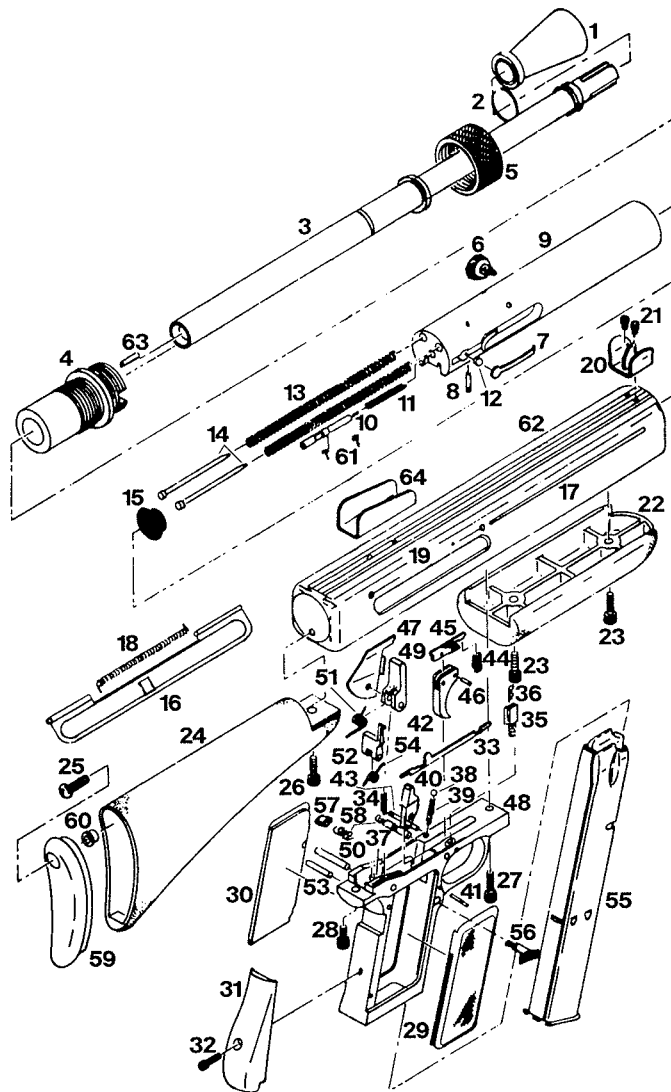
1	Safety Button	22	Barrel	43	Lifter Spring
2	Recoil Lug	23	Front Sight	44	Lifter Spacers
3	Safety Button Retaining Ring	24	Safety Slide	45	Lifter
4	Hammer Spring Washer	25	Detent Lever Pin	46	Deflector
5	Hammer Spring	26	Release Lever Pin	47	Lifter Pin
6	Hammer	27	Trigger Pin	48	Magazine Guide
7	Breechbolt Spring	28	Release Housing Screw	49	Magazine Mount, Rear
8	Breechbolt Spring Washer	29	Magazine Screw	50	Magazine Mount, Front
9	Breechbolt Spring Rod	30	Release Housing	51	Outside Magazine Tube
10	Firing Pin	31	Release Plunger	52	Inside Magazine Tube
11	Breechbolt	32	Release Lever	53	Magazine Plug Pin
12	Extractor	33	Release Plunger Pin	54	Magazine Follower
13	Receiver	34	Trigger	55	Magazine Follower Spring
14	Locking Bolt	35	Detent Lever, Left	56	Magazine Plug
15	Locking Bolt Plunger Ball Spring	36	Detent Lever, Right	57	Buttplate Screws
16	Locking Bolt Plunger Ball	37	Detent Plunger Inner Spring	58	Buttplate
17	Barrel Pins	38	Detent Plunger Spring	59	Stock Complete
18	Bumper Spring	39	Release Lever Actuating Pin	60	Trigger Guard Screw, Long
19	Bumper	40	Detent Plunger Pin	61	Trigger Guard Screw, Short
20	Rear Sight Step	41	Detent Plunger	62	Trigger Guard
21	Rear Sight	42	Release Spring	63	Takedown Screw

Model SB-836 Autoloading Rifle



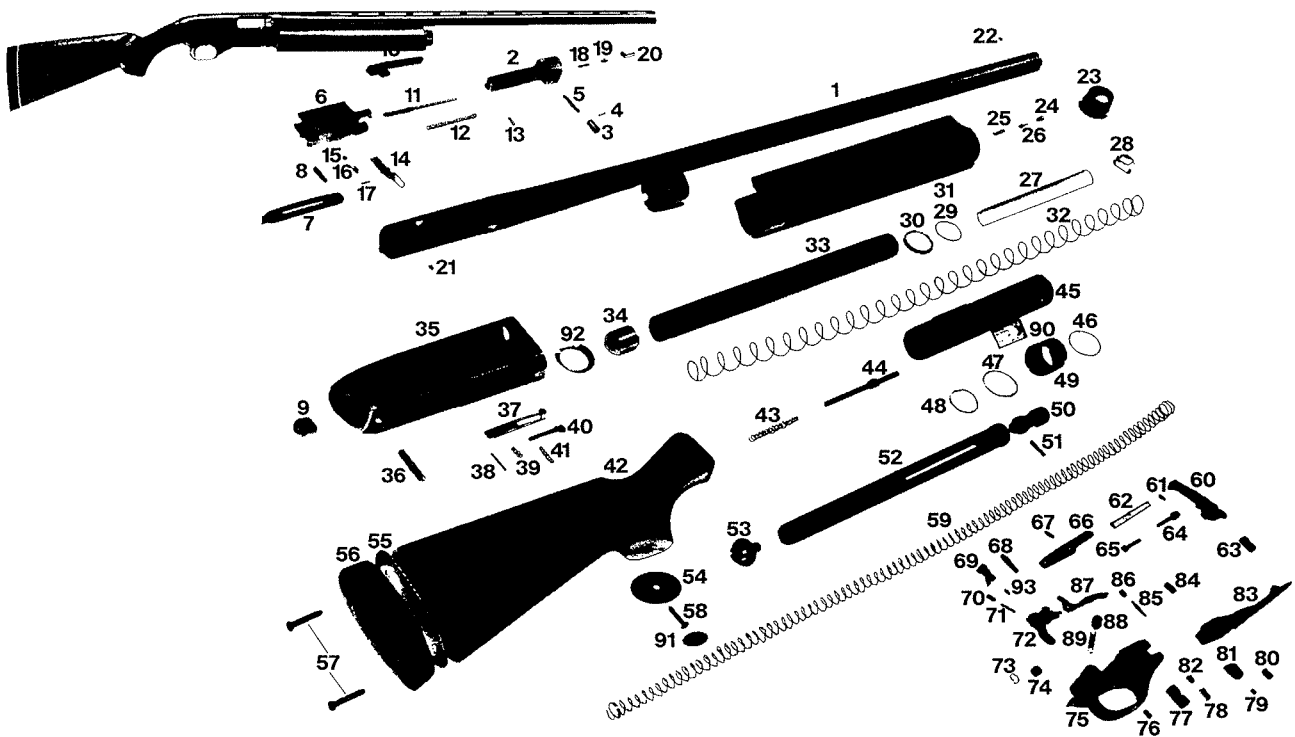
1	Safety Button	23	Safety Slide	41	Deflector
2	Recoil Plug Assembly	24	Trigger, Detent or Release Lever Pins	42	Lifter Pin
3	Hammer Spring Washer	25	Release Housing and Magazine Guide Screws	43	Magazine Guide
4	Safety Button Retaining Ring	26	Release Housing	44	Locking Bolt
5	Hammer Spring	27	Trigger	45	Locking Bolt Plunger Ball Spring
6	Hammer	28	Release Lever	46	Locking Bolt Plunger Ball
7	Breechbolt Spring	29	Release Plunger	47	Barrel Pins
8	Breechbolt Spring Washer	30	Trigger Pin or Detent Plunger Pin	48	Magazine Mount, Rear
9	Breechbolt Spring Rod	31	Detent Lever, Right	49	Magazine Mount, Front
10	Firing Pin	32	Detent Lever, Left	50	Outer Magazine Tube
11	Breechbolt	33	Detent Plunger Spring, Inner	51	Inner Magazine Tube
12	Extractor Plunger Spring	34	Detent Plunger Spring	52	Magazine Follower
13	Extractor Plunger	35	Release Plunger Pin	53	Magazine Follower Spring
14	Extractor, Left	36	Detent Plunger	54	Magazine Plug
15	Extractor, Right	37	Release Spring	55	Magazine Plug Pin
16	Receiver	38	Lifter Spring	56	Buttplate Screws
17	Bumper Spring	39	Lifter Spacers	57	Buttplate
18	Bumper	40	Lifter	58	Stock
19	Rear Sight			59	Trigger Guard Screw, Long
20	Rear Sight Step			60	Trigger Guard
21	Barrel			61	Trigger Guard Screw, Short
22	Front Sight			62	Takedown Screw

Terry Autoloading Carbine



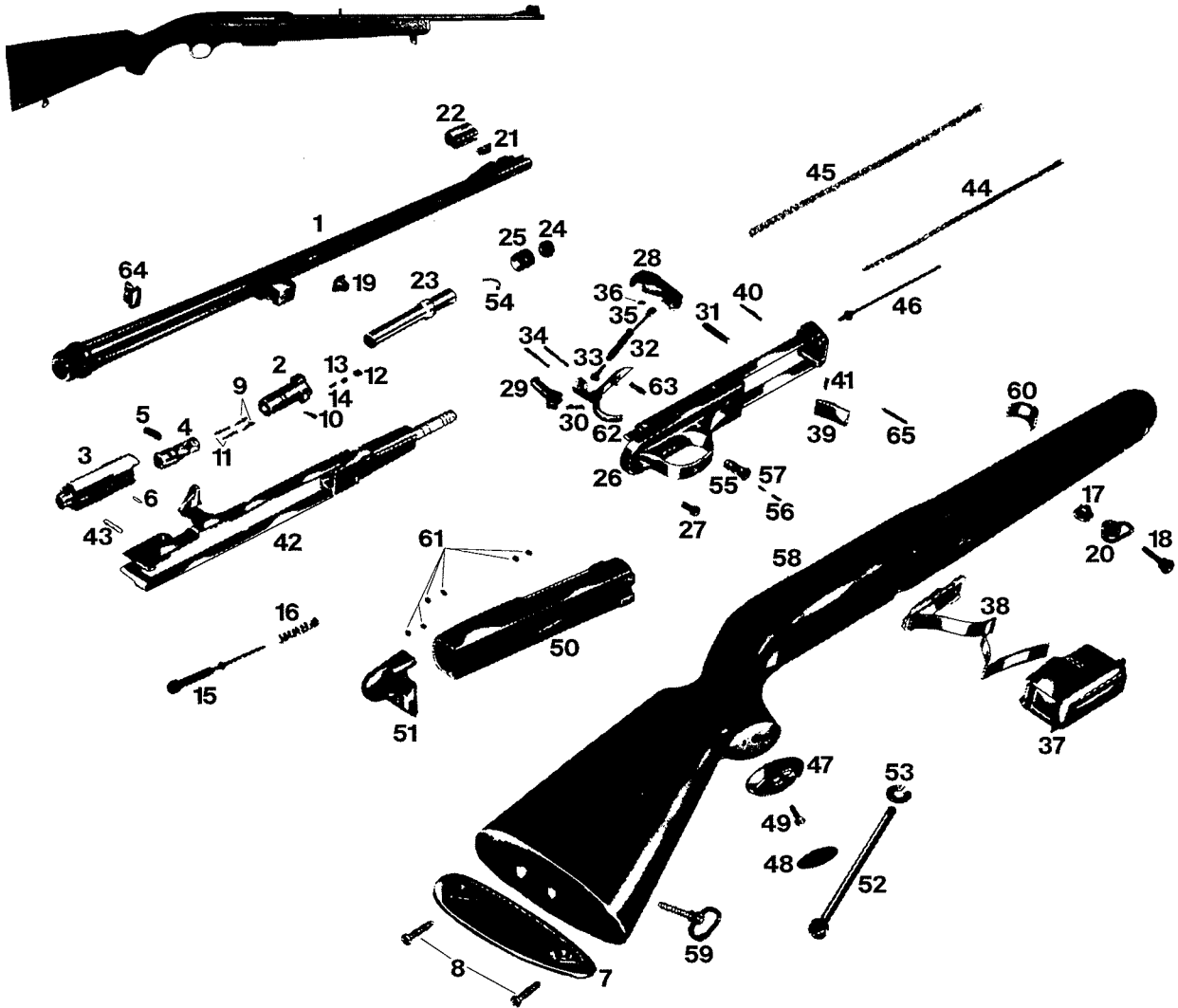
1	Flash Hider	23	Fore Grip Screw	45	Connector
2	Flash Hider Half Rings	24	Buttstock	46	Connector Pin
3	Barrel	25	Buttplate Screw	47	Ejector
4	Barrel Support Sleeve	26	Lower Buttstock Screw	48	Trigger Group Housing
5	Barrel Retaining Nut	27	Front Trigger Group Screw	49	Hammer
6	Cocking Knob	28	Rear Trigger Group Screw	50	Hammer Pin
7	Extractor	29	Right Grip	51	Hammer Spring
8	Extractor Retaining Pin	30	Left Grip	52	Sear
9	Bolt	31	Grip Retainer	53	Sear Pin
10	Firing Pin	32	Grip Retainer Screw	54	Sear Spring
11	Firing Pin Spring	33	Disconnecter	55	Magazine
12	Firing Pin Button	34	Disconnecter Spring	56	Magazine Catch
13	Recoil Springs	35	Disconnecter Guide	57	Magazine Catch Button
14	Recoil Spring Guides	36	Disconnecter Guide Spring	58	Magazine Catch Spring
15	Recoil Buffer Pad	37	Safety	59	Recoil Pad
16	Trapdoor	38	Safety Retainer	60	Upper Buttstock Nut
17	Trapdoor Rod	39	Safety Retainer Spring	61	Firing Pin Retaining Pins
18	Trapdoor Spring	40	Feed Ramp	62	Receiver
19	Trapdoor Studs	41	Feed Ramp Pin	63	Barrel Support Sleeve Pin
20	Front Sight	42	Trigger	64	Rear Sight Guard
21	Front Sight Screws	43	Trigger Pin		
22	Fore Grip	44	Trigger Spring		

Model 1 Super X Autoloading Shotgun

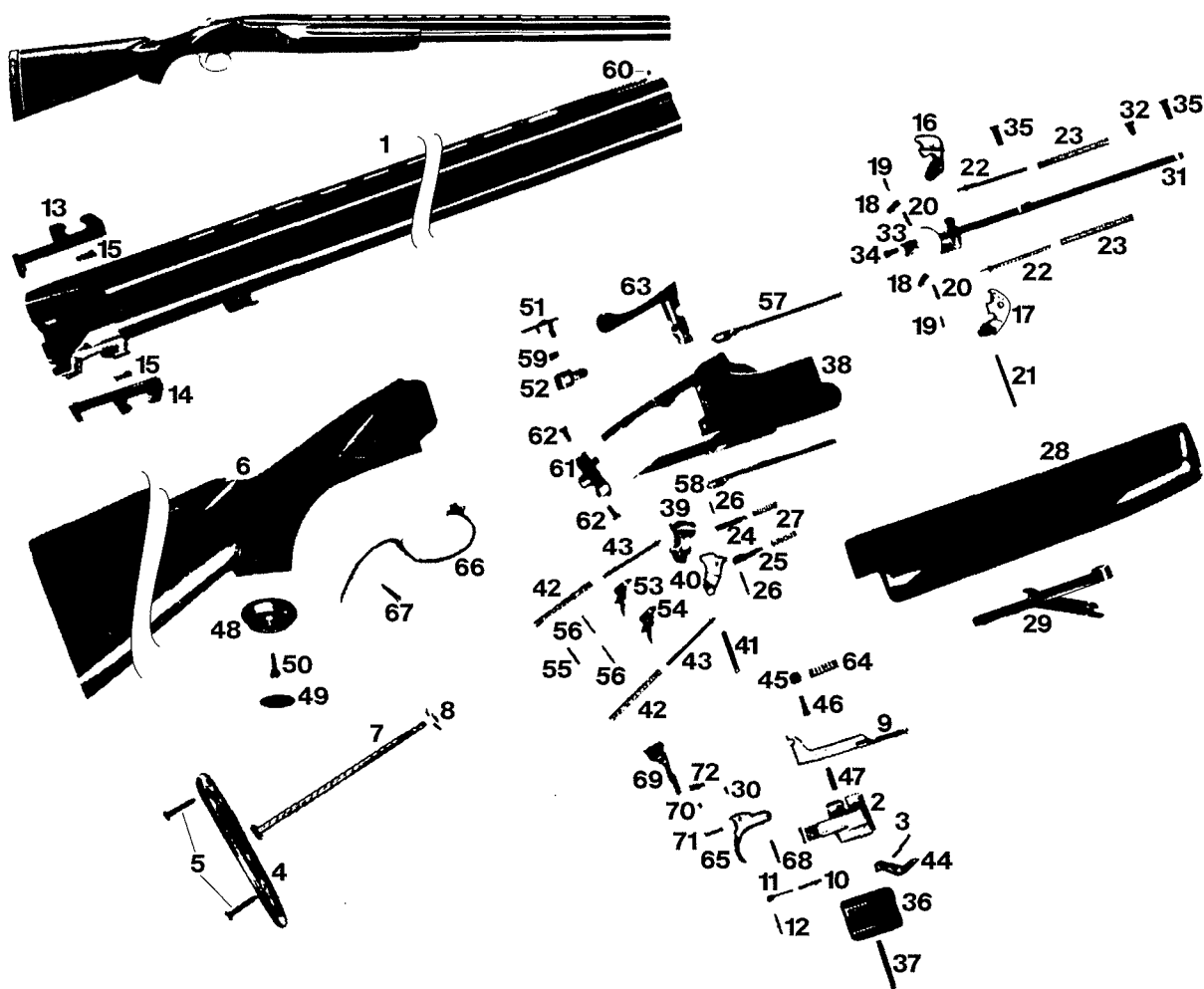


1	Barrel	34	Magazine Follower	67	Disconnecter Lever Pin
2	Breechbolt	35	Receiver	68	Trigger Pin
3	Breechbolt Beard	36	Trigger Guard Pin	69	Disconnecter
4	Breechbolt Beard Retaining Pin	37	Carrier Release	70	Disconnecter Plunger
5	Breechbolt Beard Spring	38	Carrier Release Pin	71	Disconnecter Spring
6	Bolt Slide	39	Carrier Release Spring	72	Trigger
7	Bolt Slide Link	40	Cutoff	73	Trigger Guard Pin Retaining Spring
8	Bolt Slide Link Pin	41	Cutoff Spring	74	Trigger Guard Pin Bushing
9	Bolt Slide Buffer	42	Buttstock	75	Trigger Guard
10	Locking Bolt	43	Piston Rod Spring	76	Trigger Guard Bushing
11	Firing Pin	44	Piston Rod	77	Safety
12	Firing Pin Spring	45	Piston Sleeve	78	Safety Plunger Spring
13	Firing Pin Retaining Pin	46	Piston Ring, Outer	79	Carrier Pawl Rivet
14	Cocking Handle	47	Piston Head Retaining Ring	80	Carrier Pin, Right
15	Cocking Handle Retainer	48	Piston Ring, Inner	81	Carrier Pawl
16	Cocking Handle Retainer Spring	49	Piston Head	82	Safety Plunger
17	Cocking Handle Retainer Spring Pin	50	Return Spring Follower	83	Carrier
18	Extractor Spring	51	Return Spring Follower Pin	84	Carrier Pin, Left
19	Extractor Plunger	52	Return Spring Tube	85	Sear Spring
20	Extractor	53	Buttstock Bolt	86	Sear Spring Plunger
21	Ejector	54	Pistol Grip Cap	87	Sear
22	Front Sight	55	Recoil Pad Spacer	88	Carrier Plunger
23	Magazine Cap	56	Recoil Pad	89	Carrier Plunger Spring
24	Magazine Cap Retainer Body	57	Recoil Pad Screws	90	Piston Sleeve Adjusting Decal
25	Magazine Cap Retainer Spring	58	Pistol Grip Cap Screw	91	Pistol Grip Cap Insert
26	Magazine Cap Retainer Plunger	59	Return Spring	92	Magazine Tube Washer
27	Magazine Plug	60	Hammer	93	Disconnecter Pin
28	Magazine Tube Plug	61	Hammer Spring Guide Rivet, Inner	Parts Not Shown	
29	O-Ring	62	Hammer Spring, Single		Disconnecter Rivet
30	Gas Seal	63	Hammer Bushing		Sear Screw
31	Forend	64	Hammer Spring Guide, Inner		Shell Deflector
32	Magazine Spring	65	Hammer Spring Guide, Outer		Trigger Bushing
33	Magazine Tube	66	Disconnecter Lever		

Model 100 Autoloading Rifle



1	Barrel and Gas Cylinder Housing	23	Gas Cylinder	45	Operating Slide Spring, Outer
2	Bolt Head	24	Gas Cylinder Plug	46	Operating Slide Spring Guide
3	Bolt Sleeve	25	Gas Cylinder Sleeve	47	Pistol Grip Cap
4	Bolt Sleeve Lock	26	Guard Housing	48	Pistol Grip Cap Insert
5	Bolt Sleeve Lock Pin	27	Guard Screw	49	Pistol Grip Cap Screw
6	Bolt Sleeve Pin	28	Hammer	50	Receiver
7	Buttplate	29	Hammer Lock	51	Recoil Block
8	Buttplate Screws	30	Hammer Lock Spring	52	Recoil Block Screw
9	Ejectors	31	Hammer Pin	53	Recoil Block Screw Washer
10	Ejector Pin	32	Hammer Spring	54	Retainer
11	Ejector Springs	33	Hammer Spring Guide	55	Safety
12	Extractor	34	Hammer Spring Guide Pins	56	Safety Spring
13	Extractor Plunger	35	Hammer Spring Guide Rod	57	Safety Spring Plunger
14	Extractor Spring	36	Hammer Spring Guide Rod Pin	58	Stock
15	Firing Pin	37	Magazine	59	Stock Swivel Bow
16	Firing Pin Spring	38	Magazine Spring and Follower	60	Stock Liner
17	Forend Bushing	39	Magazine Lock	61	Scope Mount Plug Screws
18	Forend Screw	40	Magazine Lock Pin	62	Trigger
19	Forend Stud	41	Magazine Lock Spring	63	Trigger Spring
20	Forend Swivel	42	Operating Slide Guide Assembly	64	Rear Sight
21	Front Sight	43	Operating Slide Pin	65	Trigger Pin
22	Front Sight Hood	44	Operating Slide Spring, Inner		

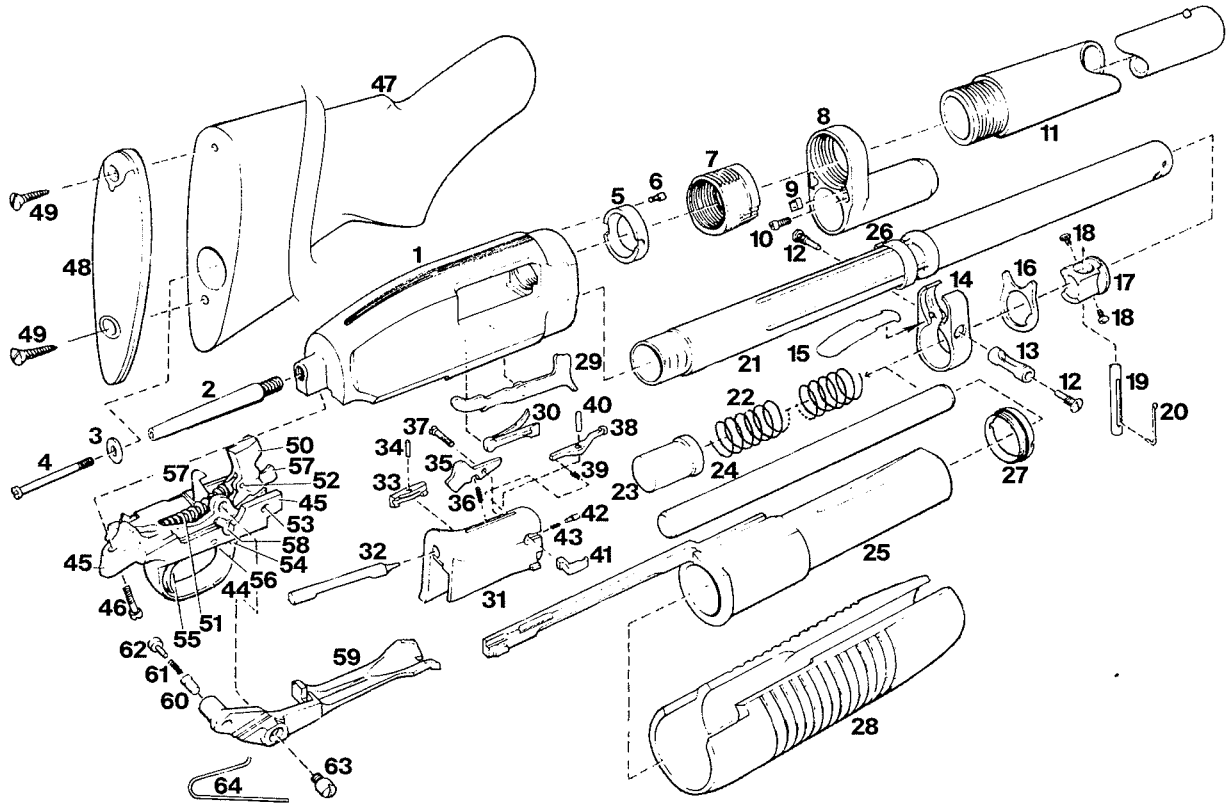
Model 101 Over/Under Shotgun

1	Barrels	24	Firing Pin, Upper	50	Pistol Grip Cap Screw
2	Barrel Locking Plate	25	Firing Pin, Lower	51	Safety Button
3	Barrel Locking Plate Latch Spring	26	Firing Pin Locking Pins	52	Safety Button Spring
4	Buttplate	27	Firing Pin Springs	53	Sear, Left
5	Buttstock Screws	28	Forend	54	Sear, Right
6	Buttstock	29	Forearm Latch	55	Sear Pin
7	Buttstock Bolt	30	Trigger Swivel Plunger Stop Pin	56	Sear Springs
8	Buttstock Bolt Washer	31	Forend Iron	57	Selective Ejector Rod, Left
9	Cocking Plate	32	Forend Iron Screw, Short	58	Selective Ejector Rod, Right
10	Cocking Plate Spring	33	Forend Hinge Block	59	Selective Filler Block
11	Cocking Plate Spring Guide Rod	34	Forend Hinge Block Screw	60	Front Sight
12	Cocking Plate Spring Guide Rod Pin	35	Forend Iron Screws, Long	61	Tang Spacer
13	Ejector, Left	36	Frame Plate, Bottom	62	Tang Spacer Screws
14	Ejector, Right	37	Frame Plate Pin, Bottom	63	Top Lever
15	Ejector Retaining Springs	38	Frame	64	Top Lever Spring
16	Ejector Hammer, Left	39	Hammer, Left	65	Trigger
17	Ejector Hammer, Right	40	Hammer, Right	66	Trigger Guard
18	Ejector Hammer Catches	41	Hammer Pin	67	Trigger Guard Screw
19	Ejector Hammer Catch Pins	42	Hammer Springs	68	Trigger Pin
20	Ejector Hammer Catch Springs	43	Hammer Spring Guide Rods	69	Trigger Sear Catch
21	Ejector Hammer Pin	44	Locking Plate Latch	70	Trigger Sear Catch Pin
22	Ejector Hammer Rods	45	Locking Pin Catch	71	Trigger Spring
23	Ejector Hammer Springs	46	Locking Pin Screw	72	Trigger Swivel Plunger
		47	Pinion Screw		
		48	Pistol Grip Cap		
		49	Pistol Grip Cap Insert		

Parts Not Shown
Trigger Recovery Spring

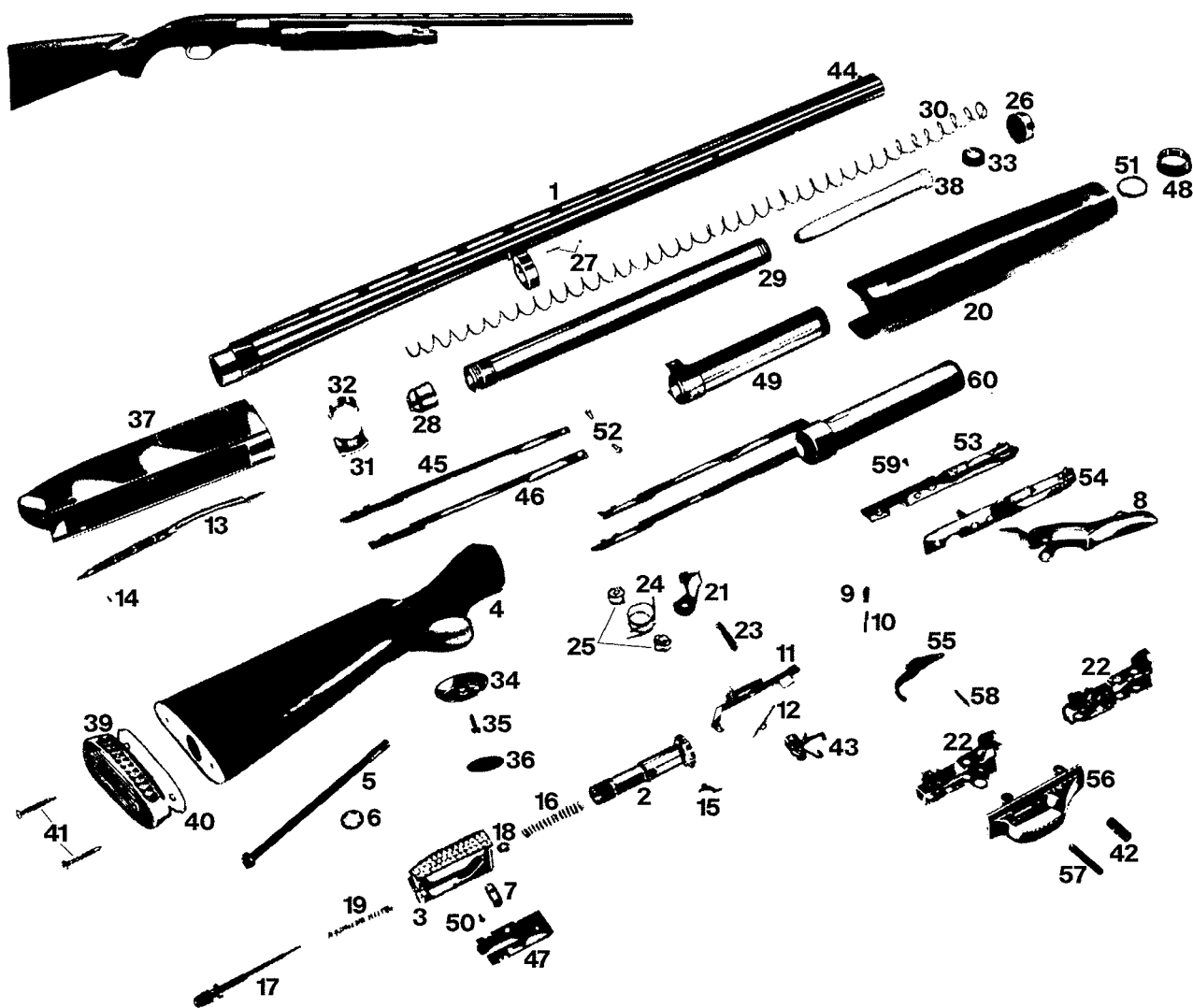
Model 12 Slide-Action Shotgun

Courtesy of James M. Triggs



1	Receiver	22	Magazine Spring	45	Guard, Complete
2	Receiver Shank	23	Magazine Follower	46	Guard Screw
3	Buttstock Bolt Washer	24	Wooden Plug	47	Buttstock
4	Buttstock Bolt	25	Action Slide	48	Buttplate
5	Barrel Chamber Ring	26	Action Slide Spring	49	Buttplate Screws
6	Barrel Chamber Ring Screw	27	Action Slide Sleeve Screw Cap	50	Hammer
7	Adjusting Sleeve	28	Action Slide Handle	51	Hammer Spring and Guide Rod
8	Receiver Extension	29	Cartridge Cutoff	52	Hammer Spring Guide Rod Pin
9	Adjusting Sleeve Lock	30	Ejector and Ejector Spring	53	Hammer Pin
10	Adjusting Sleeve Lock Screw	31	Breechbolt	54	Trigger Lock Assembly
11	Barrel	32	Firing Pin	55	Trigger
12	Magazine Band Bushing Screws	33	Breechbolt Retaining Lever	56	Trigger Pin
13	Magazine Band Bushing	34	Breechbolt Retaining Lever Pin	57	Action Slide Lock and Spring
14	Magazine Band	35	Firing Pin Retractor	58	Action Slide Lock Pivot
15	Action Slide Handle Retaining Spring	36	Firing Pin Retractor Spring	59	Carrier
16	Magazine Plug Stop	37	Firing Pin Retractor Screw	60	Carrier Plunger
17	Magazine Plug	38	Extractor, Left	61	Carrier Plunger Spring
18	Magazine Plug Screws	39	Extractor Spring	62	Carrier Plunger Screw
19	Magazine Locking Pin	40	Extractor Pin, Left	63	Carrier Pivot
20	Magazine Locking Pin Spring	41	Extractor, Right	64	Carrier Spring
21	Magazine Tube	42	Extractor Spring Plunger, Right		
		43	Extractor Spring, Right		
		44	Guard		
				Parts Not Shown	
					Trigger Spring

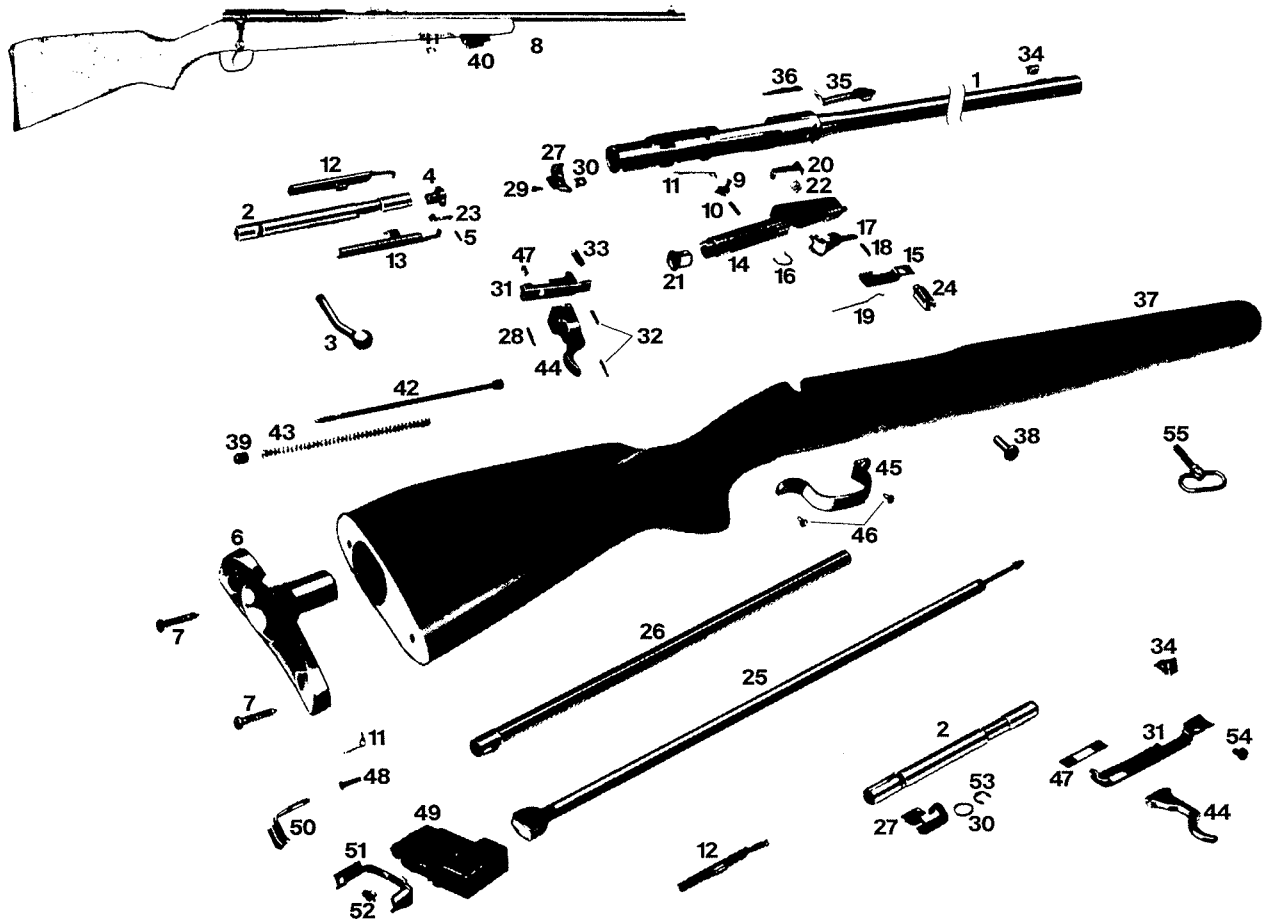
Model 1200 Slide-Action Shotgun



1	Barrel with Extension	23	Hammer Pin	43	Sear Assembly
2	Breechbolt	24	Hammer Spring	44	Front Sight
3	Breechbolt Slide	25	Hammer Spring Supports	45	Slide Arm, Left
4	Buttstock	26	Magazine Cap	46	Slide Arm, Right
5	Buttstock Bolt	27	Magazine Cap Retainer and Spring	47	Slide Arm Bridge
6	Buttstock Bolt Washer	28	Magazine Follower	48	Slide Arm Cap
7	Cam Pin	29	Magazine Tube	49	Slide Arm Extension
8	Carrier	30	Magazine Spring	50	Slide Arm Bridge Retaining Screw
9	Carrier Plunger	31	Magazine Throat, Lower	51	Slide Arm Extension Cap Ring
10	Carrier Spring	32	Magazine Throat, Upper	52	Slide Arm Pins
11	Disconnecter	33	Magazine Tube Plug	53	Slide Support with Cutoff, Left
12	Disconnecter Spring	34	Pistol Grip Cap	54	Slide Support with Cutoff, Right
13	Ejector	35	Pistol Grip Cap Screw	55	Trigger
14	Ejector Retainer Pin	36	Pistol Grip Cap Insert	56	Trigger Guard
15	Extractor	37	Receiver	57	Trigger Guard Pin
16	Extractor Spring	38	Magazine Plug	58	Trigger Pin
17	Firing Pin	39	Recoil Pad	59	Trigger Stop Pin Screw
18	Firing Pin Collar	40	Recoil Pad Spacer	60	Slide Arm Extension Assembly
19	Firing Pin Spring	41	Recoil Pad Screws		
20	Forend	42	Safety		
21	Hammer				
22	Hammer Housing				

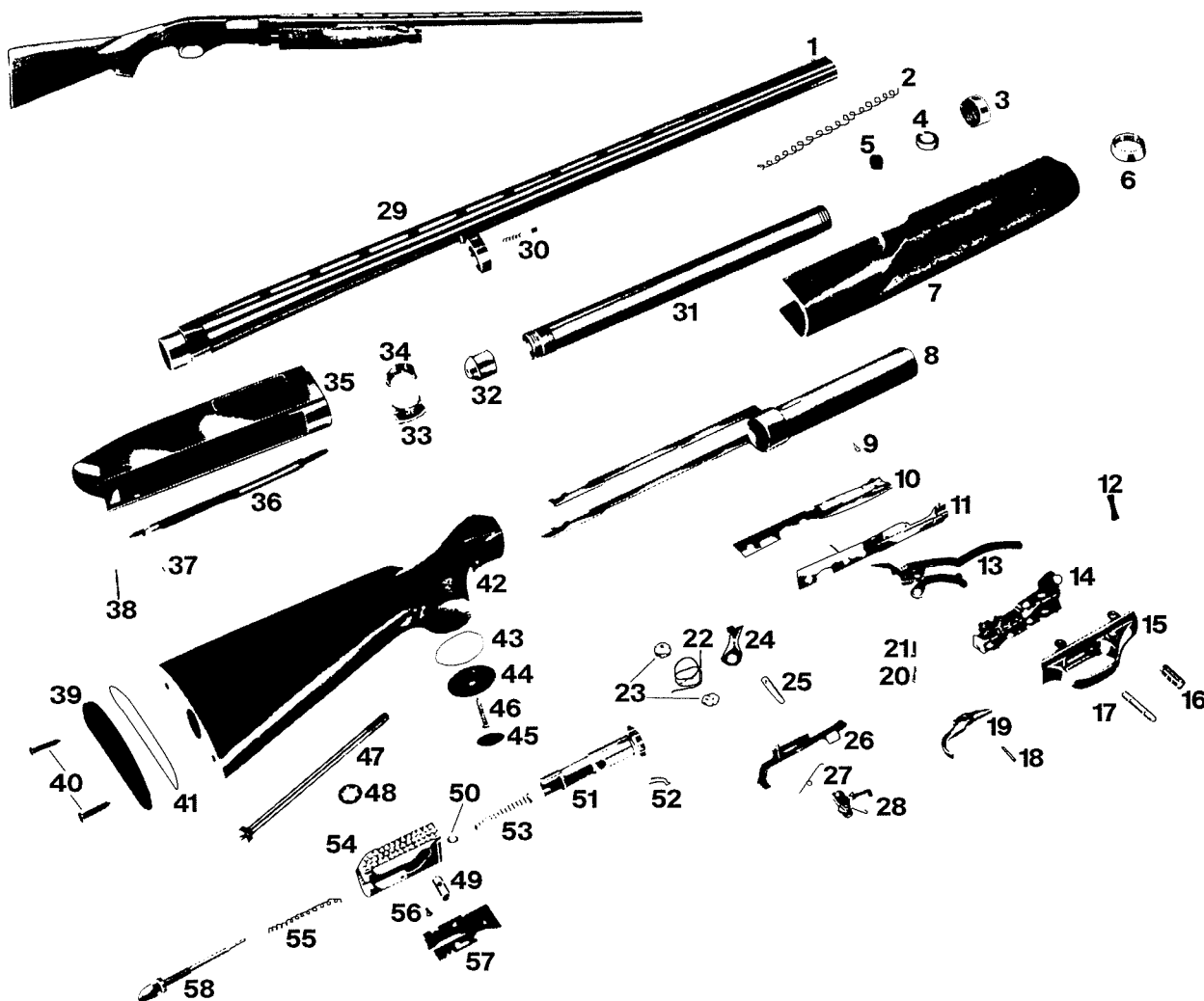
Parts Not Shown
Spacer Ring

Model 121 and 131 Bolt-Action Rifle



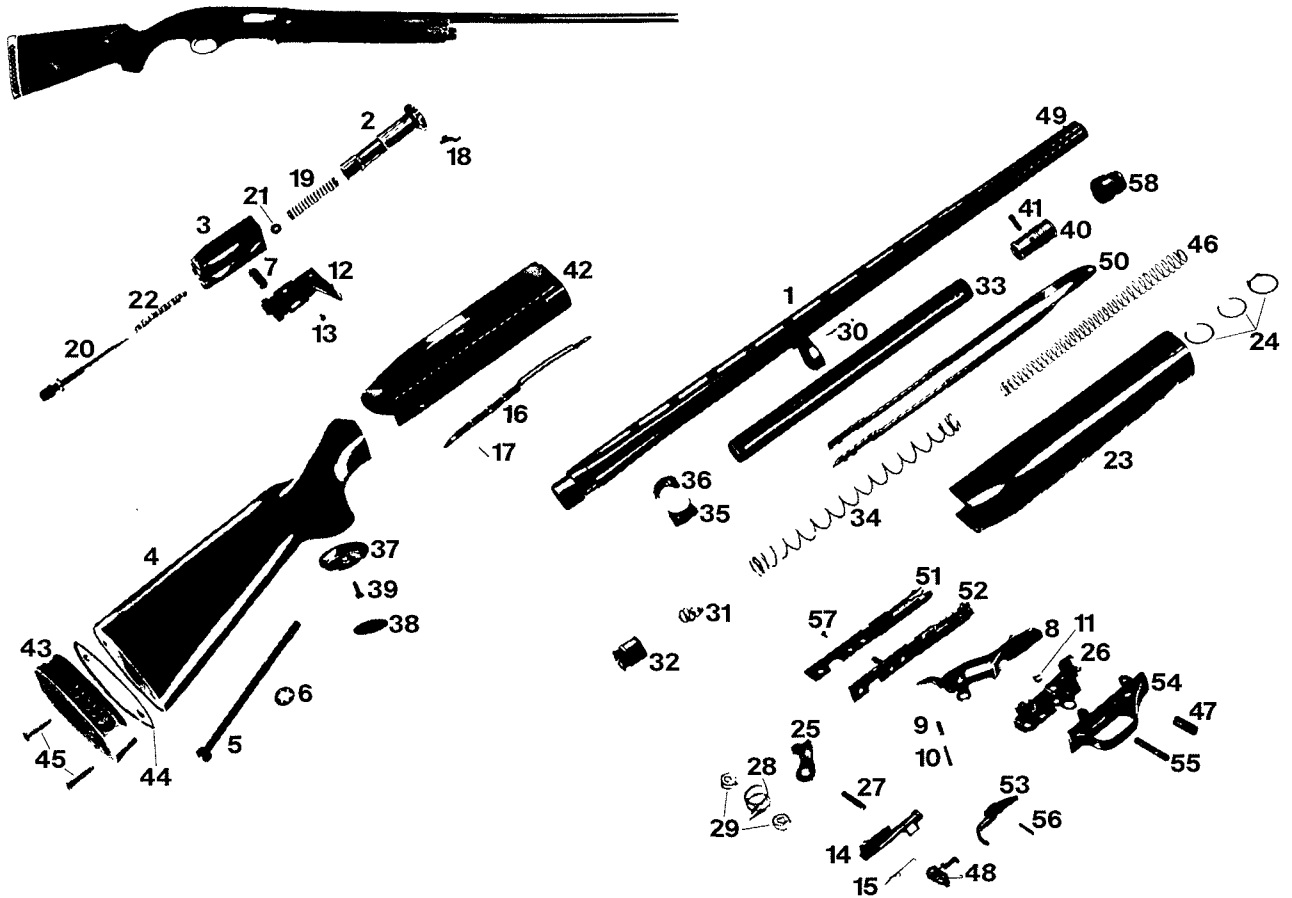
1	Barrel with Receiver Assembly	29	Safety Screw and Washer
2	Bolt Body	30	Safety Spring
3	Bolt Handle	31	Sear
4	Bolt Head	32	Sear/Trigger Pins
5	Bolt Head Pin	33	Sear Spring
6	Buttplate	34	Front Sight
7	Buttplate Screws	35	Rear Sight
8	Cocking Piece	36	Rear Sight Elevator
9	Ejector	37	Stock
10	Ejector Pin	38	Stock Stud Screw
11	Ejector Spring	39	Striker Guide
12	Extractor, Left	40	Striker Head
13	Extractor, Right	41	Striker Retainer
14	Feed Guides	42	Striker Rod
15	Feed Guide Clip, Front	43	Striker Spring
16	Feed Guide Clip, Rear	44	Trigger
17	Feed Guide Cutoff	45	Trigger Guard
18	Feed Guide Cutoff Pin	46	Trigger Guard Screws
19	Feed Guide Cutoff Spring	47	Trigger Spring
20	Feed Guide Ramp	48	Ejector Screw
21	Feed Guide Sleeve	49	Magazine Assembly
22	Feed Ramp Spring	50	Magazine Guide
23	Firing Pin	51	Magazine Latch
24	Guide Stud	52	Magazine Latch Screw
25	Inner Magazine Tube	53	Safety Retainer
26	Outer Magazine Tube	54	Sear Screw
27	Safety	55	Swivel
28	Safety Pin		

Model 1300 XTR Slide-Action Shotgun

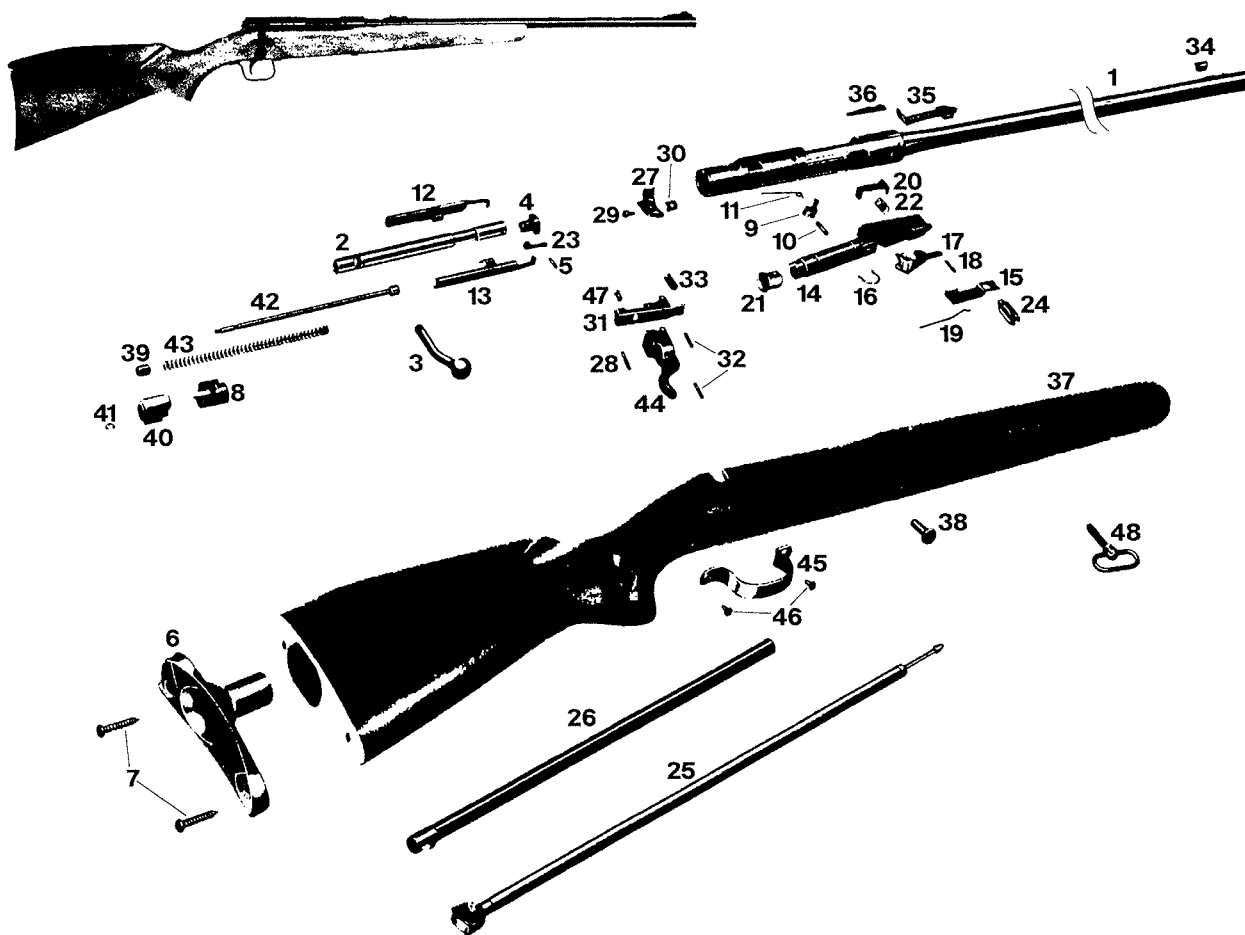


- | | | | | | |
|----|-------------------------------------|----|----------------------------------|----|----------------------------------|
| 1 | Front Sight | 20 | Carrier Spring | 41 | Buttplate Spacer |
| 2 | Magazine Spring | 21 | Carrier Plunger | 42 | Buttstock |
| 3 | Magazine Cap | 22 | Hammer Spring | 43 | Pistol Grip Cap Spacer |
| 4 | Magazine Tube Spring Retainer | 23 | Hammer Spring Supports | 44 | Pistol Grip Cap |
| 5 | Plug | 24 | Hammer | 45 | Pistol Grip Cap Insert |
| 6 | Slide Arm Cap with Ring | 25 | Hammer Pin | 46 | Pistol Grip Cap Screw |
| 7 | Forearm | 26 | Disconnecter Assembly | 47 | Buttstock Bolt |
| 8 | Slide Arm Extension with Slide Arms | 27 | Disconnecter Spring | 48 | Buttstock Bolt Washer |
| 9 | Trigger Stop Pin Screw | 28 | Sear Assembly | 49 | Cam Pin |
| 10 | Left Slide Support with Cutoff | 29 | Barrel with Extension | 50 | Firing Pin Collar |
| 11 | Right Slide Support with Cutoff | 30 | Magazine Cap Retainer and Spring | 51 | Breechbolt |
| 12 | Hammer Stop Pin | 31 | Magazine Tube | 52 | Extractor |
| 13 | Carrier Assembly | 32 | Magazine Follower | 53 | Extractor Spring |
| 14 | Hammer Housing with Hammer Stop Pin | 33 | Magazine Throat, Lower | 54 | Breechbolt Slide |
| 15 | Trigger Guard | 34 | Magazine Throat, Upper | 55 | Firing Pin Spring |
| 16 | Safety | 35 | Receiver | 56 | Slide Arm Bridge Retaining Screw |
| 17 | Trigger Guard Pin | 36 | Ejector | 57 | Slide Arm Bridge |
| 18 | Trigger Pin | 37 | Ejector Retainer Pin | 58 | Firing Pin |
| 19 | Trigger | 38 | Ejector Spring | | |
| | | 39 | Buttplate | | |
| | | 40 | Buttplate Screws | | |
- Parts Not Shown**
- Barrel Rib Pins
 - Rear Sight

Model 1400, 1400 Mark II and Ranger Autoloading Shotgun

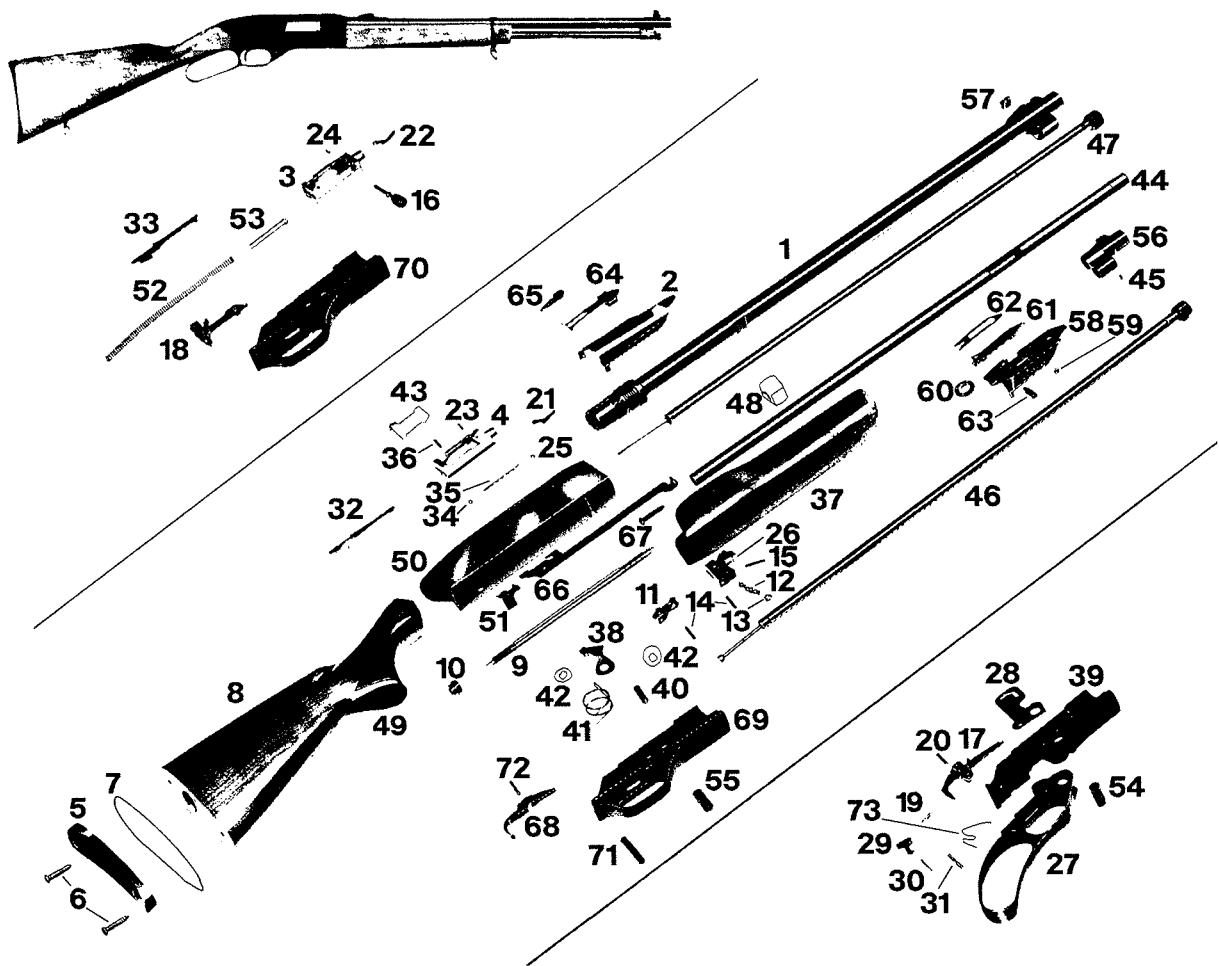


1	Barrel with Extension	20	Firing Pin	39	Pistol Grip Cap Screw
2	Breechbolt	21	Firing Pin Collar	40	Piston
3	Breechbolt Slide	22	Firing Pin Spring	41	Piston Pin
4	Buttstock	23	Forend	42	Receiver
5	Buttstock Bolt	24	Forend Spacers	43	Recoil Pad
6	Buttstock Bolt Washer	25	Hammer	44	Recoil Pad Spacer
7	Cam Pin	26	Hammer Housing	45	Recoil Pad Screws
8	Carrier Assembly	27	Hammer Pin	46	Return Spring
9	Carrier Plunger	28	Hammer Spring	47	Safety
10	Carrier Spring	29	Hammer Spring Supports	48	Sear Assembly
11	Carrier Support Spring	30	Magazine Cap Retainer and Spring	49	Front Sight
12	Cocking Handle Bridge	31	Magazine Damper Spring	50	Slide Arm
13	Cocking Handle Bridge Retaining Screw	32	Magazine Follower	51	Left Slide Support with Cutoff
14	Disconnecter Assembly	33	Magazine Tube	52	Right Slide Support with Cutoff
15	Disconnecter Spring	34	Magazine Spring	53	Trigger
16	Ejector	35	Magazine Throat, Lower	54	Trigger Guard
17	Ejector Retainer Pin	36	Magazine Throat, Upper	55	Trigger Guard Pin
18	Extractor	37	Pistol Grip Cap	56	Trigger Pin
19	Extractor Spring	38	Pistol Grip Cap Insert	57	Trigger Stop Pin Screw
				58	Valve Cap Assembly

Model 141 Bolt-Action Rifle


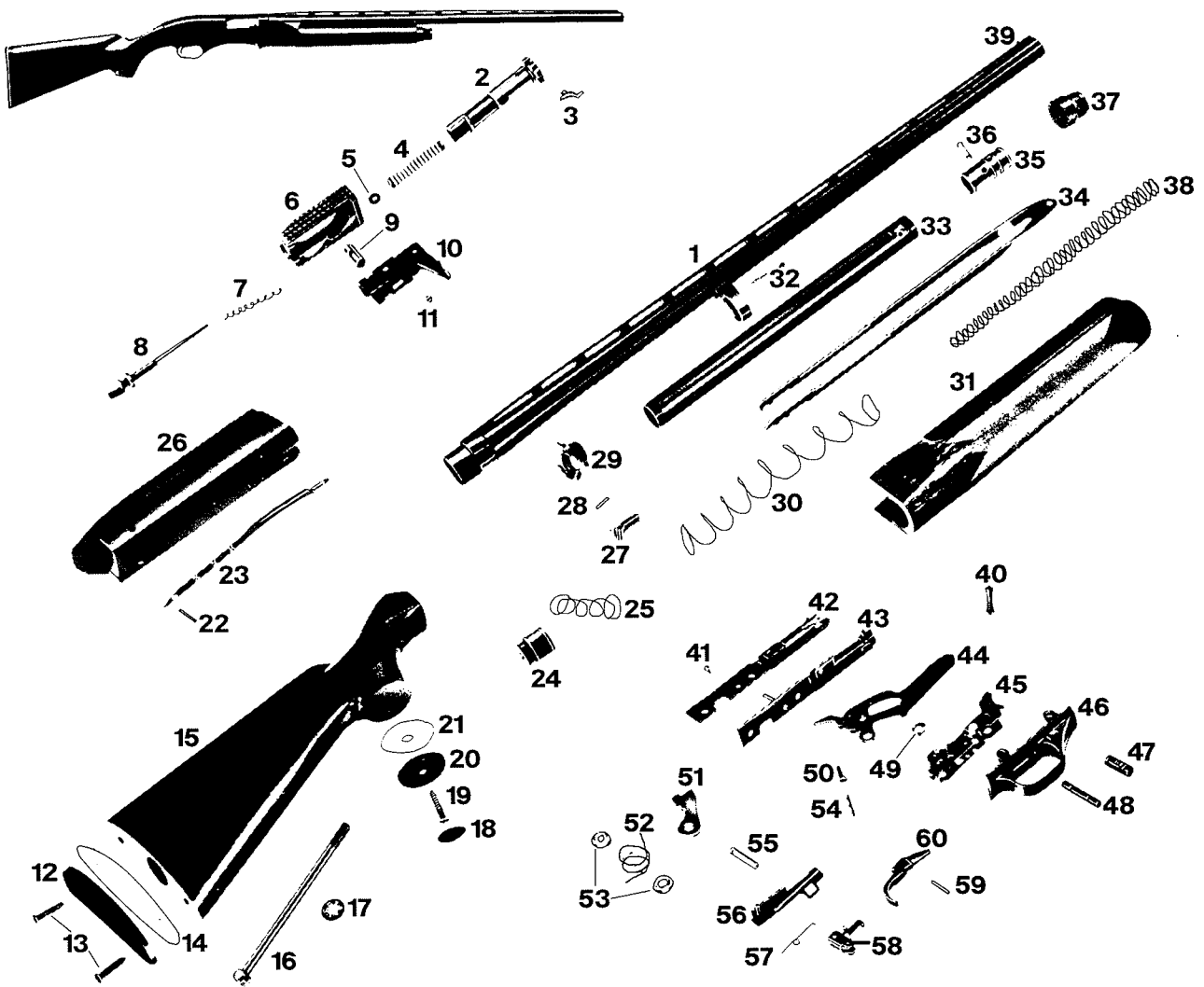
1	Barrel with Receiver Assembly	25	Inside Magazine Tube
2	Bolt Body	26	Outside Magazine Tube
3	Bolt Handle	27	Safety
4	Bolt Head	28	Safety Pin
5	Bolt Head Pin	29	Safety Screw and Washer
6	Buttplate	30	Safety Spring
7	Buttplate Screws	31	Sear
8	Cocking Piece	32	Sear and Trigger Pins
9	Ejector	33	Sear Spring
10	Ejector Pin	34	Front Sight
11	Ejector Spring	35	Rear Sight
12	Extractor, Left	36	Rear Sight Elevator
13	Extractor, Right	37	Stock
14	Feed Guides	38	Stock Stud Screw
15	Feed Guide Clip, Front	39	Striker Guide
16	Feed Guide Clip, Rear	40	Striker Head
17	Feed Guide Cutoff	41	Striker Retainer
18	Feed Guide Cutoff Pin	42	Striker Rod
19	Feed Guide Cutoff Spring	43	Striker Spring
20	Feed Guide Ramp	44	Trigger
21	Feed Guide Sleeve	45	Trigger Guard
22	Feed Ramp Spring	46	Trigger Guard Screws
23	Firing Pin	47	Trigger Spring
24	Guide Stud	48	Sling Swivel

Model 150 and 190 Lever-Action Rifle



1	Barrel and Barrel Collar	24	Extractor Pin (Model 190)	49	Pistol Grip Cap Assembly
2	Barrel Collar Cover	25	Extractor Plunger	50	Receiver
3	Breechbolt Complete (Model 190)	26	Feed Guide	51	Recoil Plate
4	Breechbolt Complete (Model 150)	27	Finger Lever	52	Return Spring
5	Buttplate	28	Finger Lever Arm	53	Return Spring Guide
6	Buttplate Screws	29	Finger Lever Latch	54	Safety (Model 150)
7	Buttplate Spacer	30	Finger Lever Latch Pin	55	Safety (Model 190)
8	Buttstock	31	Finger Lever Pin	56	Sight, Front (Plastic)
9	Buttstock Bolt	32	Firing Pin (Model 150)	57	Sight, Front (Metal)
10	Buttstock Nut with Washer	33	Firing Pin (Model 190)	58	Sight Base, Rear
11	Carrier	34	Firing Pin Plunger	59	Sight Base Screw, Rear
12	Carrier Coil Spring	35	Firing Pin Spring	60	Sight Elevator, Rear
13	Carrier Coil Spring Plunger	36	Firing Pin Stop Pin	61	Sight Leaf, Rear
14	Carrier Pins	37	Forearm	62	Sight Spring, Rear
15	Carrier Stop Pin	38	Hammer	63	Sight Windage Screw, Rear
16	Cocking Handle	39	Hammer Housing	64	Rear Sight
17	Disconnecter and Sear Assembly (Model 150)	40	Hammer Pin	65	Rear Sight Elevator
18	Disconnecter and Sear Assembly (Model 190)	41	Hammer Spring	66	Slide Arm
19	Disconnecter Coil Spring	42	Hammer Spring Supports	67	Slide Arm Screw
20	Disconnecter Pin	43	Locking Plate	68	Trigger Assembly
21	Extractor (Model 150)	44	Magazine Tube, Outside	69	Trigger Guard
22	Extractor (Model 190)	45	Magazine Tube Retaining Pin, Outside	70	Trigger Guard (Model 190)
23	Extractor Pin (Model 150)	46	Magazine Tube, Inside Assembly (Rifle)	71	Trigger Guard Pin, Rear
		47	Magazine Tube, Inside Assembly	72	Trigger Pin
		48	Magazine Tube Bracket	73	Trigger Spring

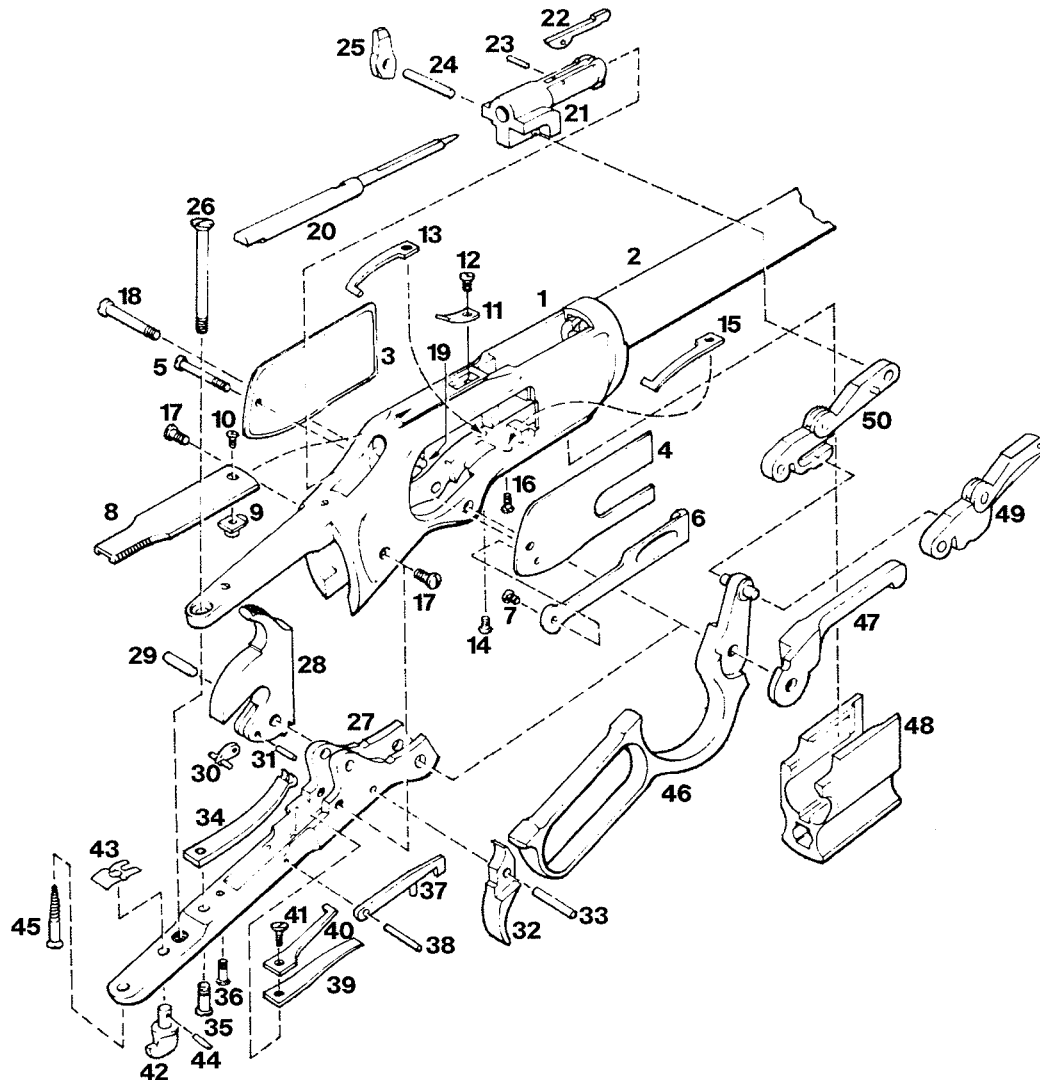
Model 1500 XTR Autoloading Shotgun



1	Barrel	21	Grip Cap Spacer	43	Right Slide Support with Cutoff
2	Breechbolt	22	Ejector Retainer Pin	44	Carrier Assembly
3	Extractor	23	Ejector	45	Hammer Housing
4	Extractor Spring	24	Magazine Follower	46	Trigger Guard
5	Firing Pin Collar	25	Magazine Damper Spring	47	Safety
6	Breechbolt Slide	26	Receiver	48	Trigger Guard Pin
7	Firing Pin Sleeve	27	Carrier Release	49	Carrier Support Spring
8	Firing Pin	28	Carrier Release Spring	50	Carrier Plunger
9	Cam Pin	29	Magazine Throat	51	Hammer
10	Cocking Handle Bridge	30	Magazine Spring	52	Hammer Spring
11	Cocking Handle Bridge Retaining Screw	31	Forend	53	Hammer Spring Supports
12	Buttplate	32	Magazine Cap Retainer and Spring	54	Carrier Spring
13	Buttplate Screws	33	Magazine Tube	55	Hammer Pin
14	Buttplate Spacer	34	Slide Arm	56	Disconnecter Assembly
15	Buttstock	35	Piston	57	Disconnecter Spring
16	Buttstock Bolt	36	Piston Pin	58	Sear Assembly
17	Buttstock Bolt Washer	37	Valve Cap Assembly	59	Trigger Pin
18	Grip Cap Insert	38	Return Spring	60	Trigger Assembly
19	Grip Cap Screw	39	Front Sight		
20	Grip Cap	40	Hammer Stop Pin		
		41	Trigger Stop Pin Screw		
		42	Left Slide Support with Cutoff		
				Parts Not Shown	
					Carrier Release Spring Retainer
					Forend Spacers

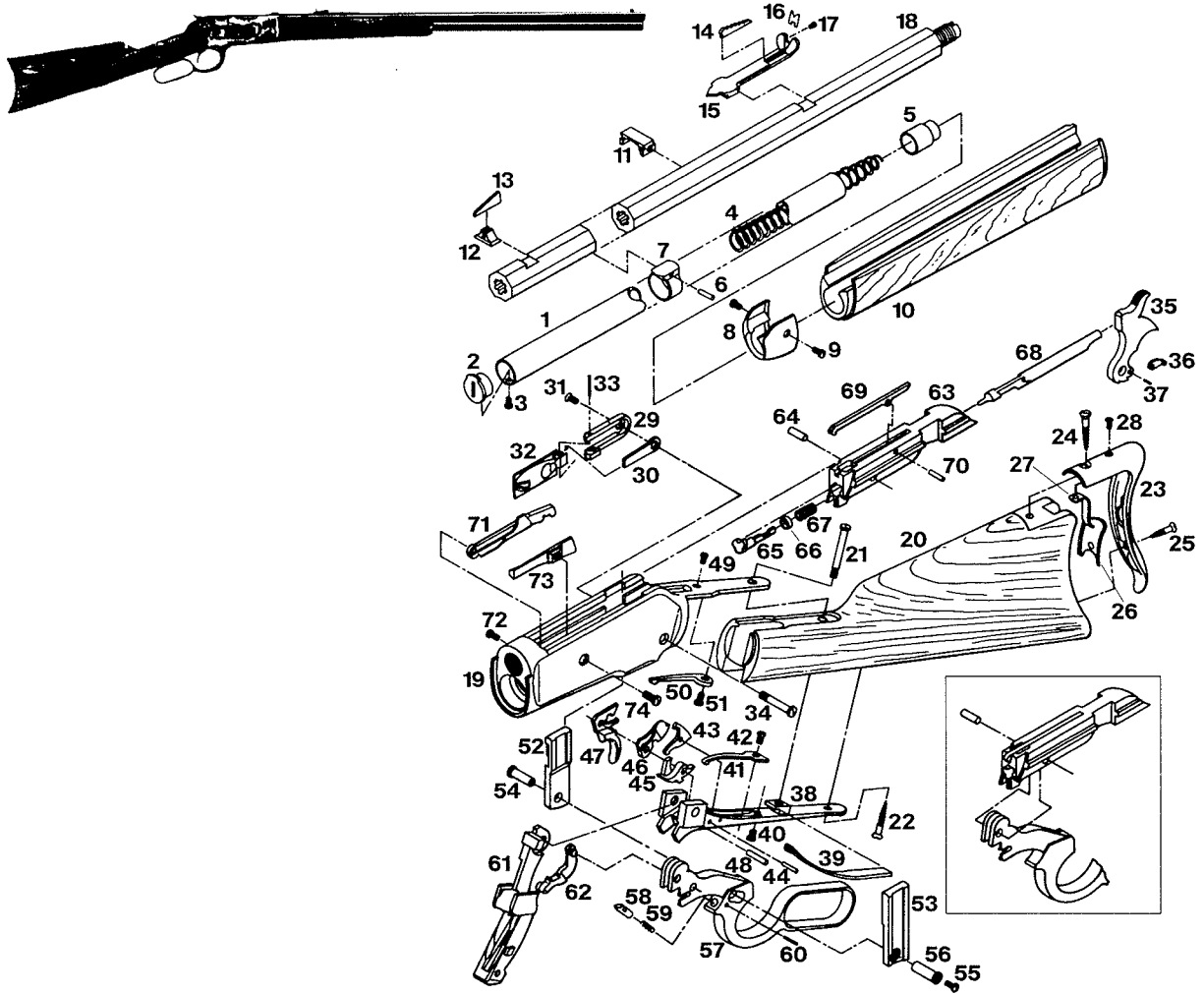
Model 1873 Lever-Action Rifle

Courtesy of James M. Triggs



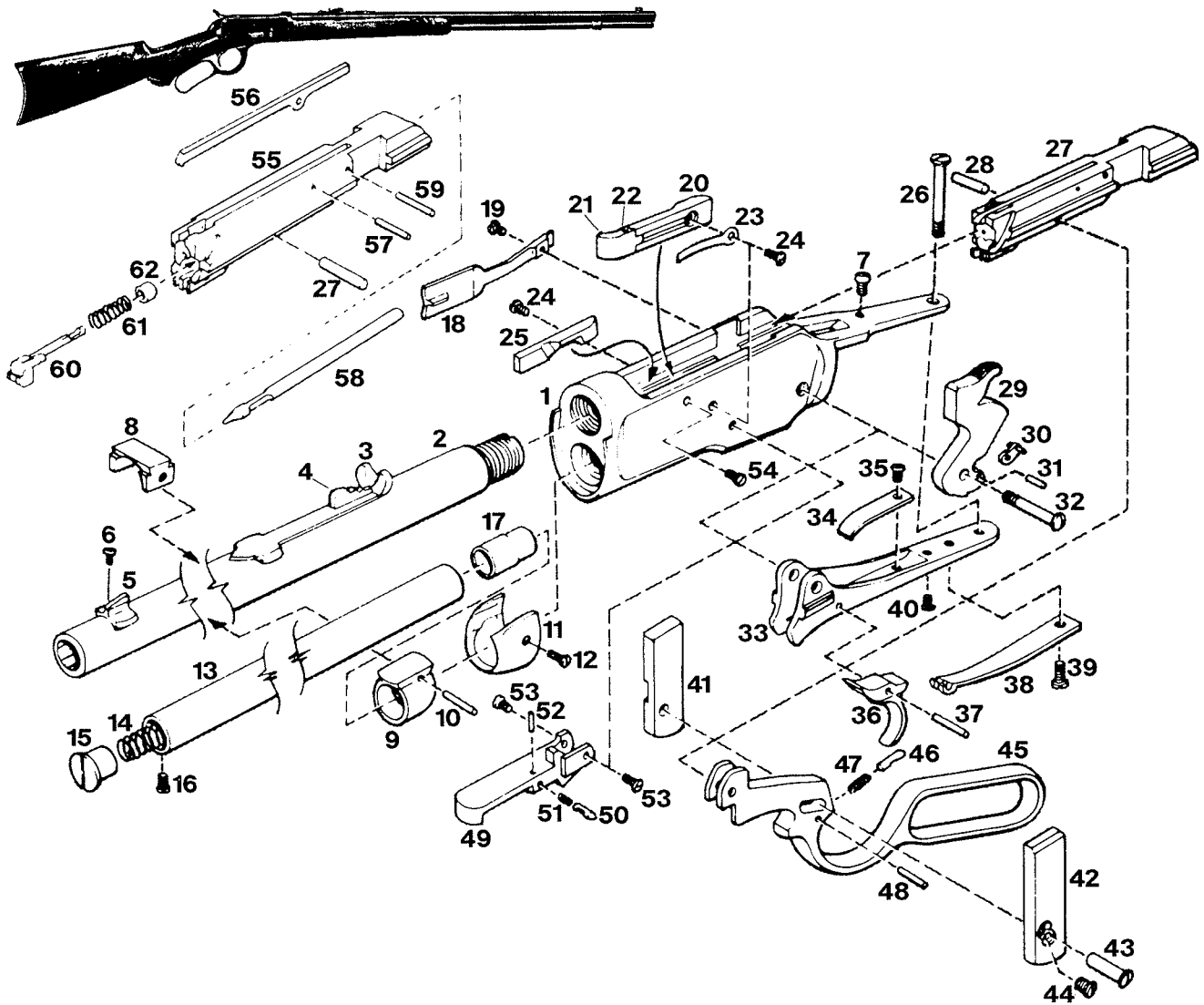
- | | | | | | |
|----|----------------------------|----|----------------------|----|---------------------------------|
| 1 | Receiver | 18 | Finger Lever Screw | 35 | Mainspring Screw |
| 2 | Barrel | 19 | Rear Link Pin | 36 | Mainspring Tension Screw |
| 3 | Sideplate, Left | 20 | Firing Pin | 37 | Safety Catch |
| 4 | Sideplate, Right | 21 | Breechblock | 38 | Safety Catch Pin |
| 5 | Sideplate Screw | 22 | Extractor | 39 | Trigger Spring |
| 6 | Spring Cover | 23 | Extractor Pin | 40 | Safety Catch Spring |
| 7 | Spring Cover Screw | 24 | Front Link Pin | 41 | Trigger and Safety Catch Spring |
| 8 | Mortise Cover | 25 | Firing Pin Retractor | 42 | Lever Latch |
| 9 | Mortise Cover Stop | 26 | Upper Tang Screw | 43 | Lever Latch Spring |
| 10 | Mortise Cover Stop Screw | 27 | Lower Tang | 44 | Lever Latch Pin |
| 11 | Mortise Cover Spring | 28 | Hammer | 45 | Lower Tang Screw |
| 12 | Mortise Cover Spring Screw | 29 | Hammer Pivot Pin | 46 | Finger Lever |
| 13 | Finger Lever Spring | 30 | Stirrup | 47 | Carrier Lever |
| 14 | Finger Lever Spring Screw | 31 | Stirrup Pin | 48 | Carrier Block |
| 15 | Carrier Lever Spring | 32 | Trigger | 49 | Link Assembly, Right |
| 16 | Carrier Lever Spring Screw | 33 | Trigger Pivot Pin | 50 | Link Assembly, Left |
| 17 | Slide Tang Screws | 34 | Mainspring | | |

Model 1886 Lever-Action Rifle



1	Magazine Tube	26	Buttplate Slide	51	Carrier Stop Screw
2	Magazine End Cap	27	Buttplate Slide Spring	52	Right Locking Bolt
3	Magazine End Cap Screw	28	Buttplate Slide Spring Screw	53	Left Locking Bolt
4	Magazine Spring	29	Spring Cover Base	54	Finger Lever Pin
5	Magazine Follower	30	Spring Cover Spring	55	Locking Block Bushing and Pin Screw
6	Magazine Ring Pin	31	Spring Cover Screw	56	Finger Lever Pin Bushing
7	Magazine Ring	32	Spring Cover Leaf	57	Finger Lever
8	Forend Tip	33	Spring Cover Leaf Pin	58	Friction Stud
9	Forend Tip and Tenon Screws	34	Receiver Screw	59	Friction Stud Spring
10	Forend	35	Hammer	60	Friction Stud Pin
11	Forend Tip Tenon	36	Hammer Stirrup	61	Carrier
12	Front Sight Base	37	Hammer Stirrup Pin	62	Carrier Hook
13	Front Sight	38	Lower Tang	63	Breechblock
14	Rear Sight Elevator	39	Mainspring	64	Lever and Breechblock Pin
15	Rear Sight	40	Mainspring Tension Screw	65	Ejector
16	Elevation Leaf	41	Sear and Trigger Spring	66	Ejector Collar
17	Elevation Leaf Screw	42	Sear and Trigger Spring Screw	67	Ejector Spring
18	Barrel	43	Sear Catch	68	Firing Pin
19	Receiver	44	Sear Catch Pin	69	Extractor
20	Stock	45	Sear	70	Extractor Pin
21	Upper Tang Stock Screw	46	Kick-Off for Set-Trigger	71	Cartridge Guide
22	Lower Tang Stock Screw	47	Trigger	72	Cartridge Guide Screw
23	Buttplate	48	Trigger, Sear and Kick-Off Pin	73	Cartridge Stop
24	Upper Buttplate Screw	49	Carrier Stop Tension Screw	74	Cartridge Stop Screw
25	Lower Buttplate Screw	50	Carrier Stop		

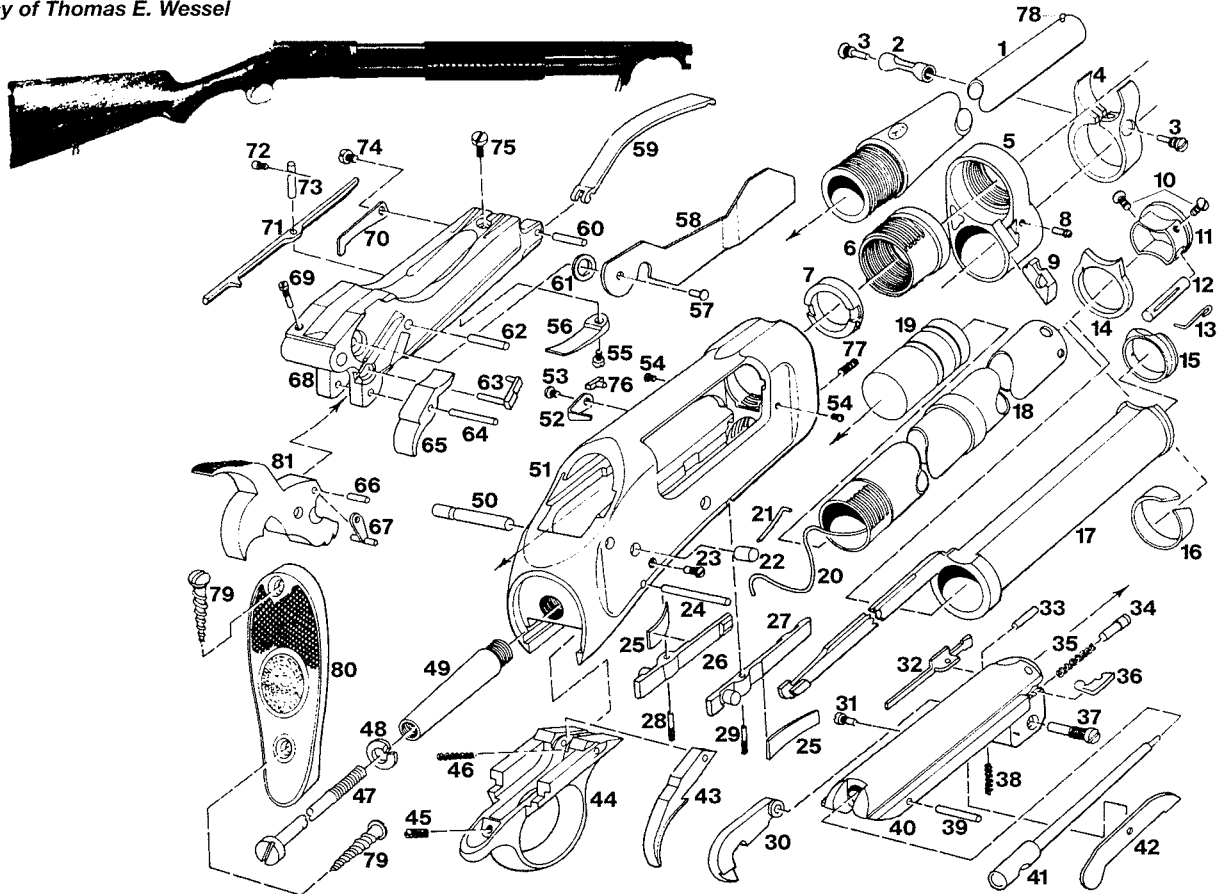
Model 1892 Lever-Action Rifle



1	Receiver	22	Cartridge Stop Joint Pin	43	Locking Bolt Pin
2	Barrel	23	Cartridge Stop Spring	44	Locking Bolt Pin Screw
3	Rear Sight Assembly	24	Cartridge Guide Screws	45	Finger Lever
4	Rear Sight Elevator	25	Cartridge Guide, Right	46	Friction Plunger
5	Front Sight	26	Upper Tang Screw	47	Friction Plunger Spring
6	Front Sight Screw	27	Breechbolt	48	Friction Stud Stop Pin
7	Tang Sight Screw	28	Lever and Breechbolt Pin	49	Carrier Assembly
8	Forend Tip Tenon	29	Hammer	50	Carrier Stop
9	Magazine Ring	30	Hammer Stirrup	51	Carrier Stop Spring
10	Magazine Ring Pin	31	Hammer Stirrup Pin	52	Carrier Stop Pin
11	Forend Tip	32	Hammer Screw	53	Carrier Screws
12	Forend Tip Screw	33	Lower Tang	54	Lever and Breechblock Pin Hole
13	Magazine Tube	34	Trigger Spring		Plug Screw
14	Magazine Spring	35	Trigger Spring Screw	55	Breechbolt Assembly
15	Magazine End Cap	36	Trigger	56	Extractor
16	Magazine End Cap Screw	37	Trigger Pin	57	Extractor Pin
17	Magazine Follower	38	Mainspring	58	Firing Pin
18	Spring Cover	39	Mainspring Screw	59	Firing Pin Stop Pin
19	Spring Cover Screw	40	Mainspring Strain Screw	60	Ejector
20	Cartridge Guide, Left	41	Locking Bolt, Right	61	Ejector Spring
21	Cartridge Stop	42	Locking Bolt, Left	62	Ejector Collar

Model 1897 Slide-Action Shotgun

Courtesy of Thomas E. Wessel



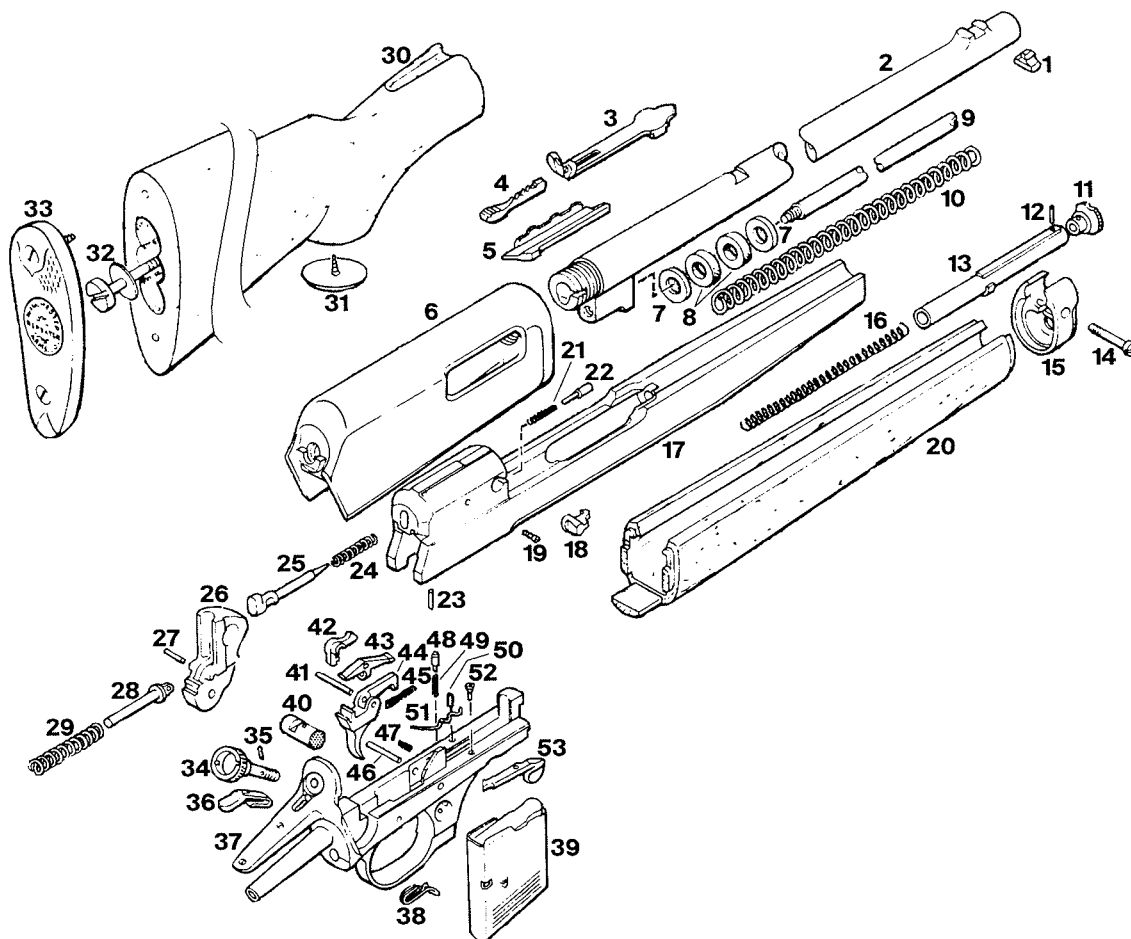
- | | | | | | |
|----|-------------------------------|----|---------------------------------|----|----------------------------------|
| 1 | Barrel | 29 | Cartridge Stop Screw, Right | 58 | Cartridge Guide |
| 2 | Magazine Band Bushing | 30 | Action Slide Hook | 59 | Mainspring |
| 3 | Magazine Band Bushing Screws | 31 | Firing Pin Lock Screw | 60 | Mainspring Pin |
| 4 | Magazine Band | 32 | Extractor, Left | 61 | Cartridge Guide Friction Spring |
| 5 | Barrel Extension | 33 | Extractor Pin, Left | 62 | Hammer Pin |
| 6 | Adjusting Sleeve | 34 | Extractor Plunger, Right | 63 | Action Slide Lock Release |
| 7 | Barrel Chamber Ring | 35 | Extractor Plunger Spring, Right | | Plunger |
| 8 | Adjusting Sleeve Lock Screw | 36 | Extractor, Right | 64 | Sear Pin |
| 9 | Adjusting Sleeve Lock | 37 | Action Slide Hook Screw | 65 | Sear |
| 10 | Magazine Plug Screws | 38 | Firing Pin Lock Spring | 66 | Hammer Stirrup Pin |
| 11 | Magazine End Cap | 39 | Firing Pin Stop Pin | 67 | Hammer Stirrup |
| 12 | Magazine Locking Pin | 40 | Breechbolt | 68 | Carrier |
| 13 | Magazine Locking Pin Spring | 41 | Firing Pin | 69 | Carrier Pin Stop Screw |
| 14 | Magazine End Cap Stop | 42 | Firing Pin Lock | 70 | Action Slide Lock Spring |
| 15 | Action Slide Sleeve Screw Cap | 43 | Trigger | 71 | Action Slide Lock |
| 16 | Action Slide Spring | 44 | Guard Bow | 72 | Action Slide Lock Joint Pin Stop |
| 17 | Action Slide | 45 | Trigger Stop Screw | | Screw |
| 18 | Magazine Tube | 46 | Trigger Spring | 73 | Action Slide Lock Joint Pin |
| 19 | Magazine Follower | 47 | Buttstock Bolt | 74 | Action Slide Lock Spring Screw |
| 20 | Magazine Spring | 48 | Buttstock Bolt Washer | 75 | Mainspring Strain Screw |
| 21 | Action Slide Lock Release | 49 | Receiver Shank | 76 | Ejector Pin |
| | Plunger Pin Spring | 50 | Carrier Pin | 77 | Extension Stop Screw |
| 22 | Action Slide Lock Release | 51 | Receiver | 78 | Front Sight |
| | Plunger Pin | 52 | Ejector Spring | 79 | Buttplate Screws |
| 23 | Cartridge Guide Stop Screw | 53 | Ejector Spring Screw | 80 | Buttplate |
| 24 | Trigger Pin | 54 | Barrel Chamber Ring Retaining | 81 | Hammer |
| 25 | Cartridge Stop Springs | | Screws | | |
| 26 | Cartridge Stop, Left | 55 | Sear Spring Screw | | |
| 27 | Cartridge Stop, Right | 56 | Sear Spring | | |
| 28 | Cartridge Stop Screw, Left | 57 | Cartridge Guide Rivet | | |

Parts Not Shown

- Action Slide Handle
- Buttstock

Model 1905 Autoloading Rifle

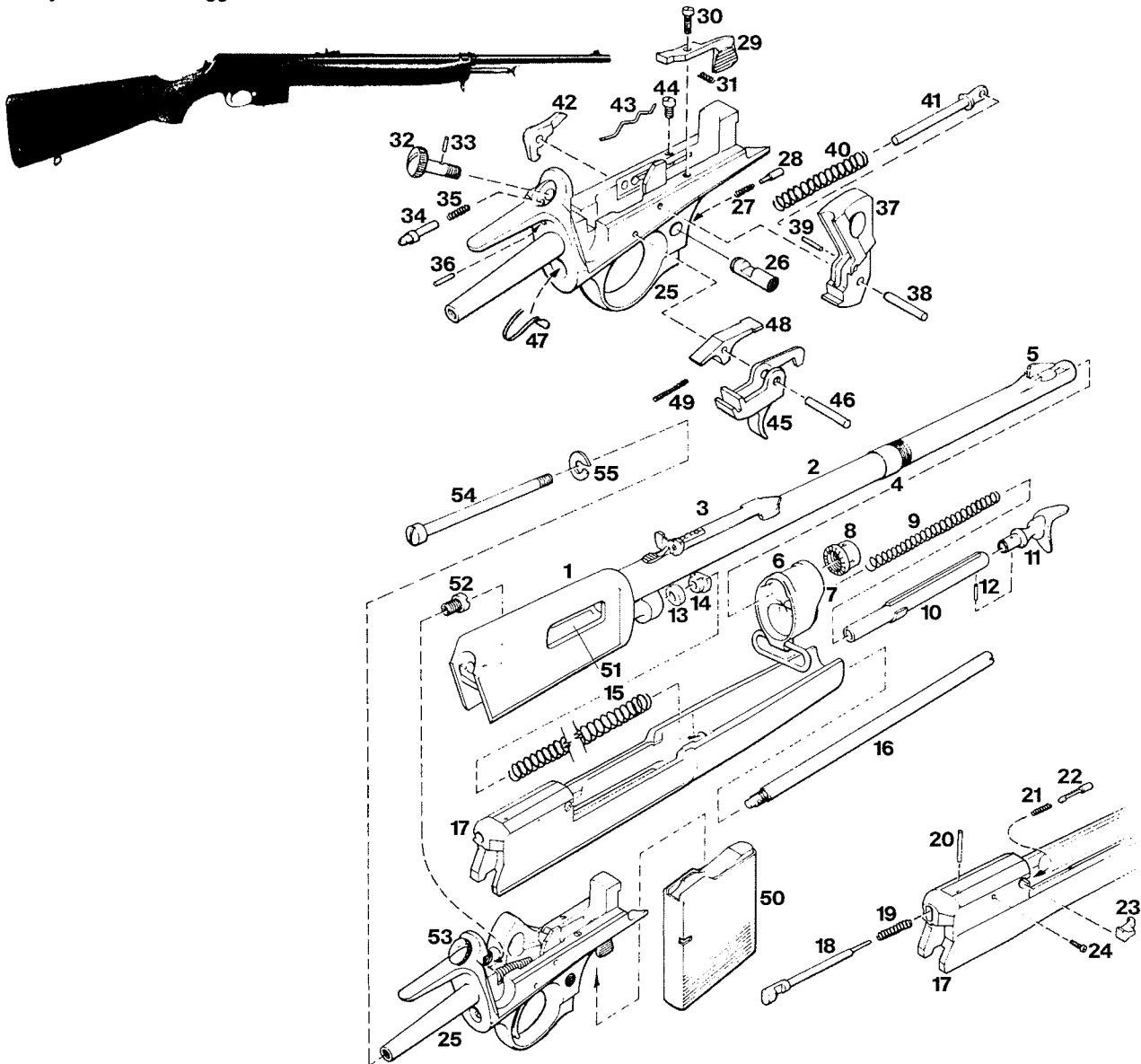
Courtesy of Blacksmith Corporation



1	Front Sight	28	Hammer Strut
2	Barrel	29	Hammer Spring
3	Rear Sight	30	Buttstock
4	Rear Sight Elevator	31	Grip Cap
5	Ejector	32	Buttstock Bolt and Washer
6	Receiver	33	Buttplate
7	Steel Buffer Washers	34	Takedown Screw
8	Fiber Buffer Washers	35	Takedown Screw Stop Pin
9	Bolt Guide Rod	36	Takedown Screw Lock
10	Recoil Spring	37	Trigger Mechanism Housing
11	Operating Sleeve Tip	38	Trigger Spring
12	Operating Sleeve Tip Pin	39	Magazine
13	Operating Sleeve	40	Safety Catch
14	Forend Tip Screw	41	Trigger Pin
15	Forend Tip	42	Disconnecter
16	Operating Sleeve Spring	43	Sear
17	Bolt	44	Trigger
18	Extractor	45	Sear Spring
19	Extractor Plunger Stop Screw	46	Hammer Pin
20	Forend	47	Magazine Catch Spring
21	Extractor Spring	48	Safety Catch Plunger
22	Extractor Plunger	49	Plunger Spring
23	Firing Pin Retainer Pin	50	Disconnecter Spring Retainer
24	Firing Pin Spring	51	Disconnecter Spring
25	Firing Pin	52	Magazine Catch Screw
26	Hammer	53	Magazine Catch
27	Hammer Strut Pin		

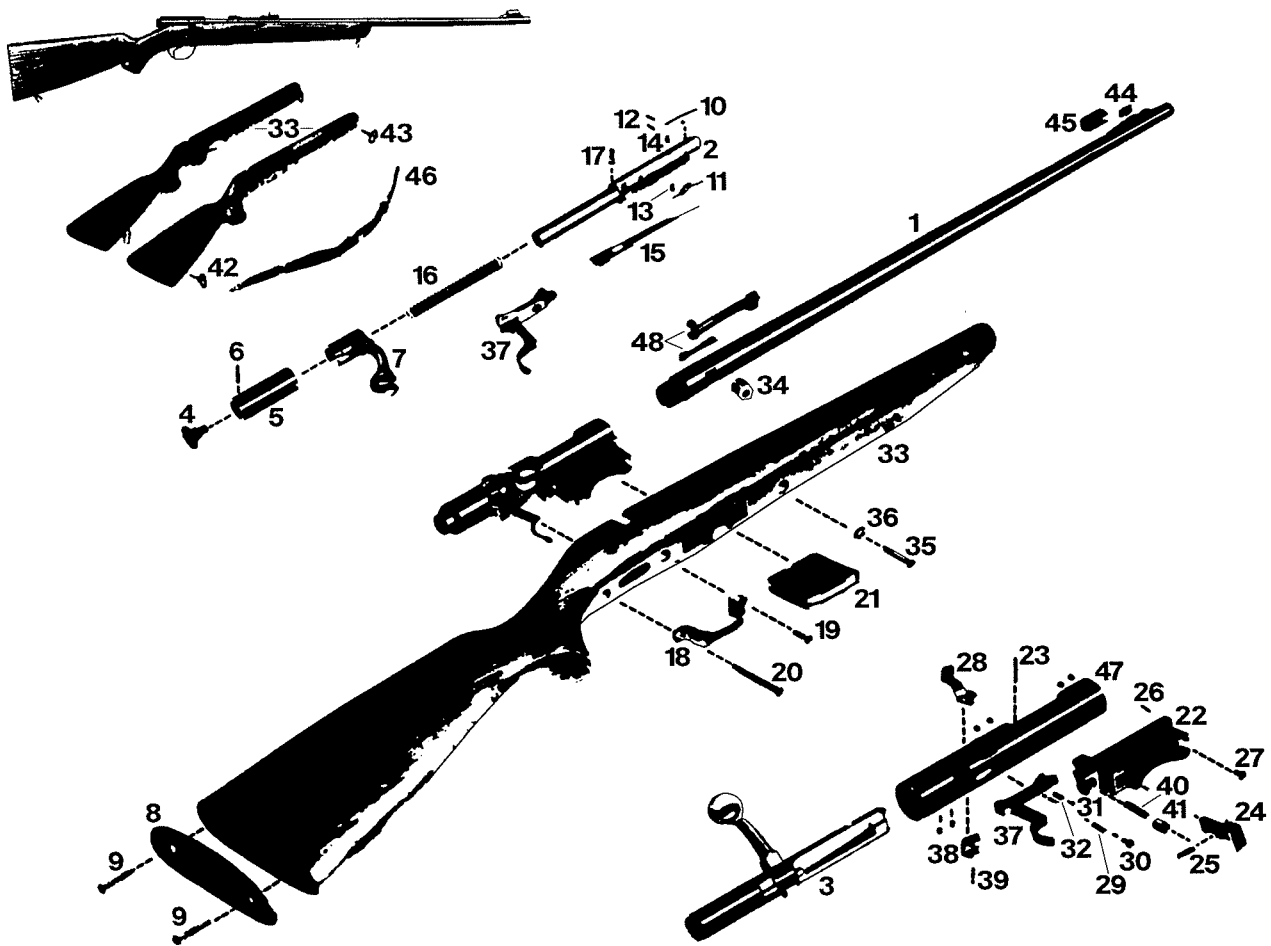
Model 1907 Autoloading Rifle

Courtesy of James M. Triggs



- | | | | | | |
|----|-----------------------------------|----|-----------------------------|----|---------------------------|
| 1 | Receiver | 18 | Firing Pin | 37 | Hammer |
| 2 | Barrel | 19 | Firing Pin Spring | 38 | Hammer Pin |
| 3 | Rear Sight Assembly | 20 | Firing Pin Retaining Pin | 39 | Hammer Spring Guide Rod |
| 4 | Forend Tip Key | 21 | Extractor Spring | 40 | Hammer Spring |
| 5 | Front Sight | 22 | Extractor Spring Plunger | 41 | Hammer Spring Guide Rod |
| 6 | Forend Tip (with Swivel) | 23 | Extractor | 42 | Timing Lever |
| 7 | Forend Tip Nut Plunger and Spring | 24 | Extractor Screw | 43 | Timing Lever Spring |
| 8 | Forend Tip Nut | 25 | Trigger Guard Housing | 44 | Timing Lever Spring Screw |
| 9 | Operating Sleeve Spring | 26 | Trigger Lock | 45 | Trigger |
| 10 | Operating Sleeve | 27 | Trigger Lock Plunger Spring | 46 | Trigger Pin |
| 11 | Operating Sleeve Tip | 28 | Trigger Lock Plunger | 47 | Trigger Spring |
| 12 | Operating Sleeve Tip Pin | 29 | Magazine Lock | 48 | Sear |
| 13 | Buffer Washers | 30 | Magazine Lock Screw | 49 | Sear Spring |
| 14 | Buffer | 31 | Magazine Lock Spring | 50 | Magazine |
| 15 | Bolt Spring | 32 | Takedown Screw | 51 | Ejector |
| 16 | Bolt Guide Rod | 33 | Takedown Screw Stop Pin | 52 | Takedown Screw Bushing |
| 17 | Bolt | 34 | Takedown Screw Lock | 53 | Takedown Screw |
| | | 35 | Takedown Screw Lock Spring | 54 | Buttstock Bolt |
| | | 36 | Takedown Screw Lock Pin | 55 | Buttstock Bolt Washer |

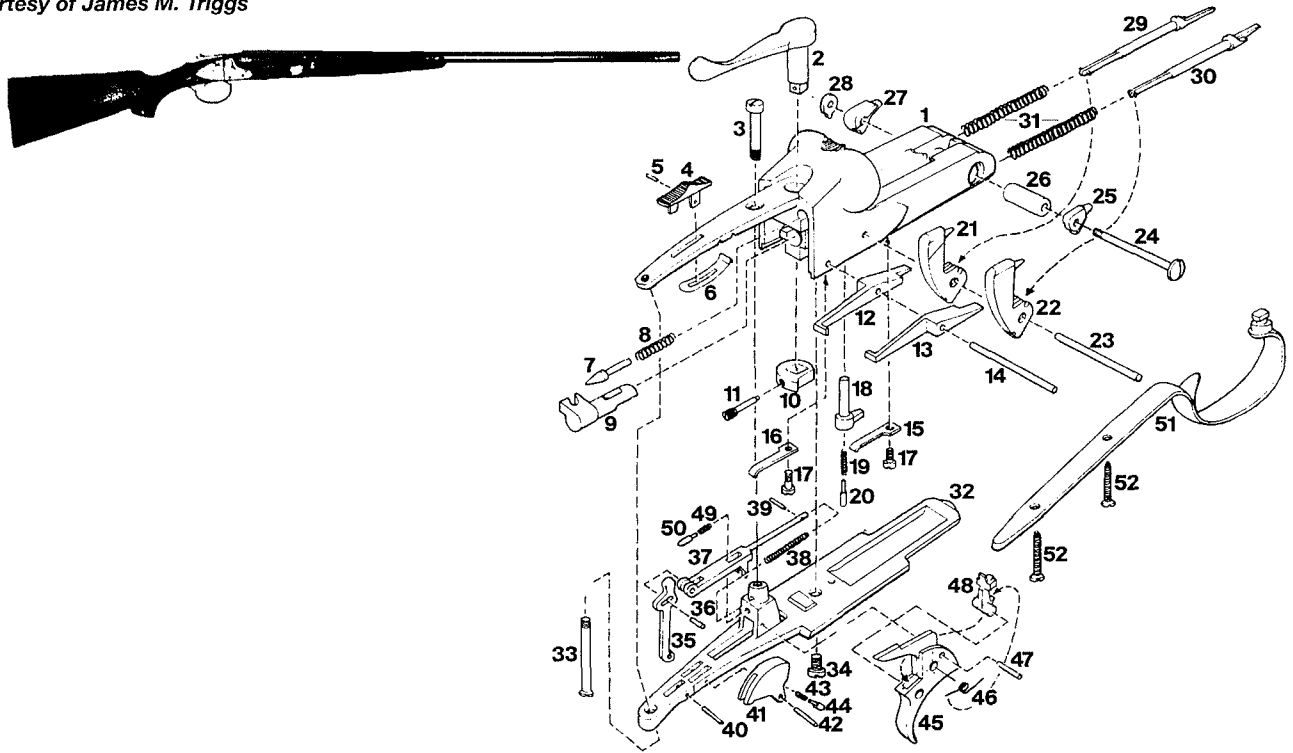
Model 43 Bolt-Action Rifle



1	Barrel	25	Magazine Catch Spring
2	Breechbolt	26	Magazine Catch Pin
3	Breechbolt Complete	27	Magazine Holder Screw
4	Breechbolt Plug	28	Safety-Lever
5	Breechbolt Sleeve	29	Safety Lock
6	Breechbolt Sleeve Pin	30	Safety Lock Screw
7	Breechbolt Cocking Sleeve	31	Safety Lock Plunger
8	Buttplate	32	Safety Lock Plunger Spring
9	Buttplate Screws	33	Stock
10	Extractor, Left	34	Stock Stud
11	Extractor, Right	35	Stock Stud Screw
12	Extractor Pins	36	Stock Stud Screw Escutcheon
13	Extractor Spring, Right	37	Trigger
14	Extractor Spring, Left	38	Trigger Base
15	Firing Pin	39	Trigger Pin
16	Firing Pin Spring	40	Trigger Spring
17	Firing Pin Stop Pin	41	Trigger Spring Adjusting Screw
18	Guard	42	Rear Swivel
19	Guard Screw, Front	43	Front Swivel Assembly
20	Guard Screw, Rear	44	Front Sight
21	Magazine Complete	45	Front Sight Hood
22	Magazine Holder	46	Leather Sling
23	Magazine Holder Pin	47	Breechbolt Body
24	Magazine Catch	48	Front Sight with Elevator

Model 21 Side-by-Side Shotgun

Courtesy of James M. Triggs

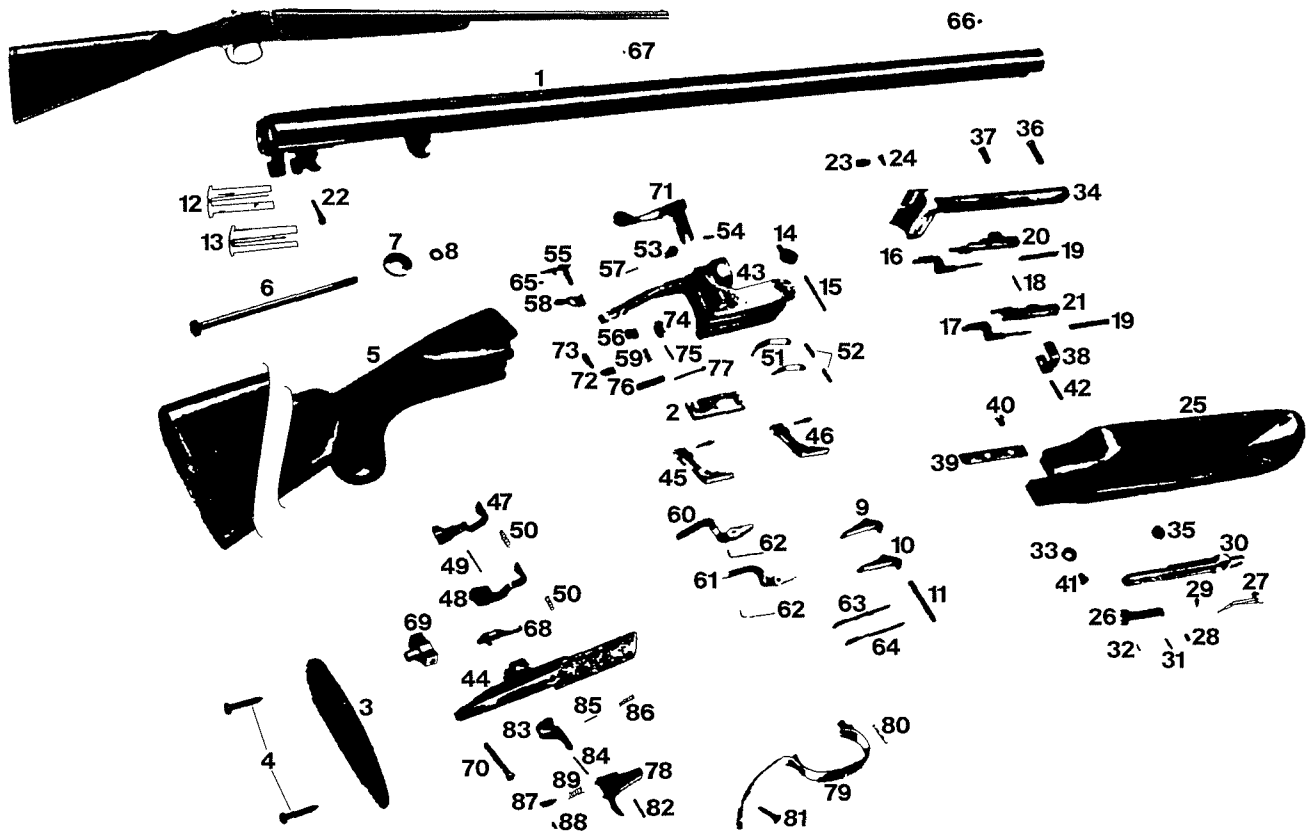


- | | | |
|---|--|----------------------------|
| 1 Frame | 35 Safety-Lever | Ejection Hammer, Right |
| 2 Top Lever | 36 Safety-Lever Operating Rod Pin | Ejection Sear Pin |
| 3 Upper Tang Screw | 37 Safety-Lever Operating Rod | Ejection Sear Spring |
| 4 Safety Slide | 38 Safety-Lever Operating Rod Return-
ing Spring | Ejection Sear, Left |
| 5 Safety Slide Spring Stop Pin | 39 Safety-Lever Operating Rod Return-
ing Spring Pin | Ejection Sear, Right |
| 6 Safety Slide Spring | 40 Safety-Lever Pivot Pin | Extractor Plunger |
| 7 Top-Lever Plunger | 41 Timing Weight | Extractor Plunger Stop Pin |
| 8 Top-Lever Spring | 42 Timing Weight Pin | Extractor Stop Screw |
| 9 Locking Bolt | 43 Timing Weight Plunger Spring | Extractor, Left |
| 10 Locking Bolt Lever | 44 Timing Weight Plunger | Extractor, Right |
| 11 Locking Bolt Lever Screw | 45 Trigger Assembly | Forearm |
| 12 Sear, Left | 46 Shift Lever Spring | Forearm Catch |
| 13 Sear, Right | 47 Trigger Pin | Forearm Catch Pin |
| 14 Sear Pin | 48 Shift Lever and Shift Lever Button | Forearm Catch Plate |
| 15 Sear Spring, Right | 49 Trigger Spring | Forearm Catch Spring |
| 16 Sear Spring, Left | 50 Trigger Spring Plunger | Forearm Recoil Abutment |
| 17 Sear Spring Screws | 51 Guard Bow | Forearm Recoil Screw |
| 18 Locking Bolt Catch | 52 Guard Bow Screws | Forearm Retainer |
| 19 Locking Bolt Catch Spring | | Forearm Retainer Pin |
| 20 Locking Bolt Catch Spring Plunger | | Forearm Retainer Spring |
| 21 Hammer, Left | | Forearm Shoe |
| 22 Hammer, Right | | Front Forearm Screw |
| 23 Hammer Pin | | Front Sight |
| 24 Cocking Lever Screw | | Locking Bolt Stop Screw |
| 25 Cocking Lever, Right | | Rear Forearm Screw |
| 26 Joint Pin | | Rear Sight |
| 27 Cocking Lever, Left | | Upper Tang Screw Bushing |
| 28 Cocking Lever Screw Nut | | |
| 29 Cocking Rod, Left | | |
| 30 Cocking Rod, Right | | |
| 31 Hammer Springs | | |
| 32 Trigger Plate | | |
| 33 Trigger Plate Tang Screw | | |
| 34 Trigger Plate Screw | | |
| | 40 Safety-Lever Pivot Pin | |
| | 41 Timing Weight | |
| | 42 Timing Weight Pin | |
| | 43 Timing Weight Plunger Spring | |
| | 44 Timing Weight Plunger | |
| | 45 Trigger Assembly | |
| | 46 Shift Lever Spring | |
| | 47 Trigger Pin | |
| | 48 Shift Lever and Shift Lever Button | |
| | 49 Trigger Spring | |
| | 50 Trigger Spring Plunger | |
| | 51 Guard Bow | |
| | 52 Guard Bow Screws | |

Parts Not Shown

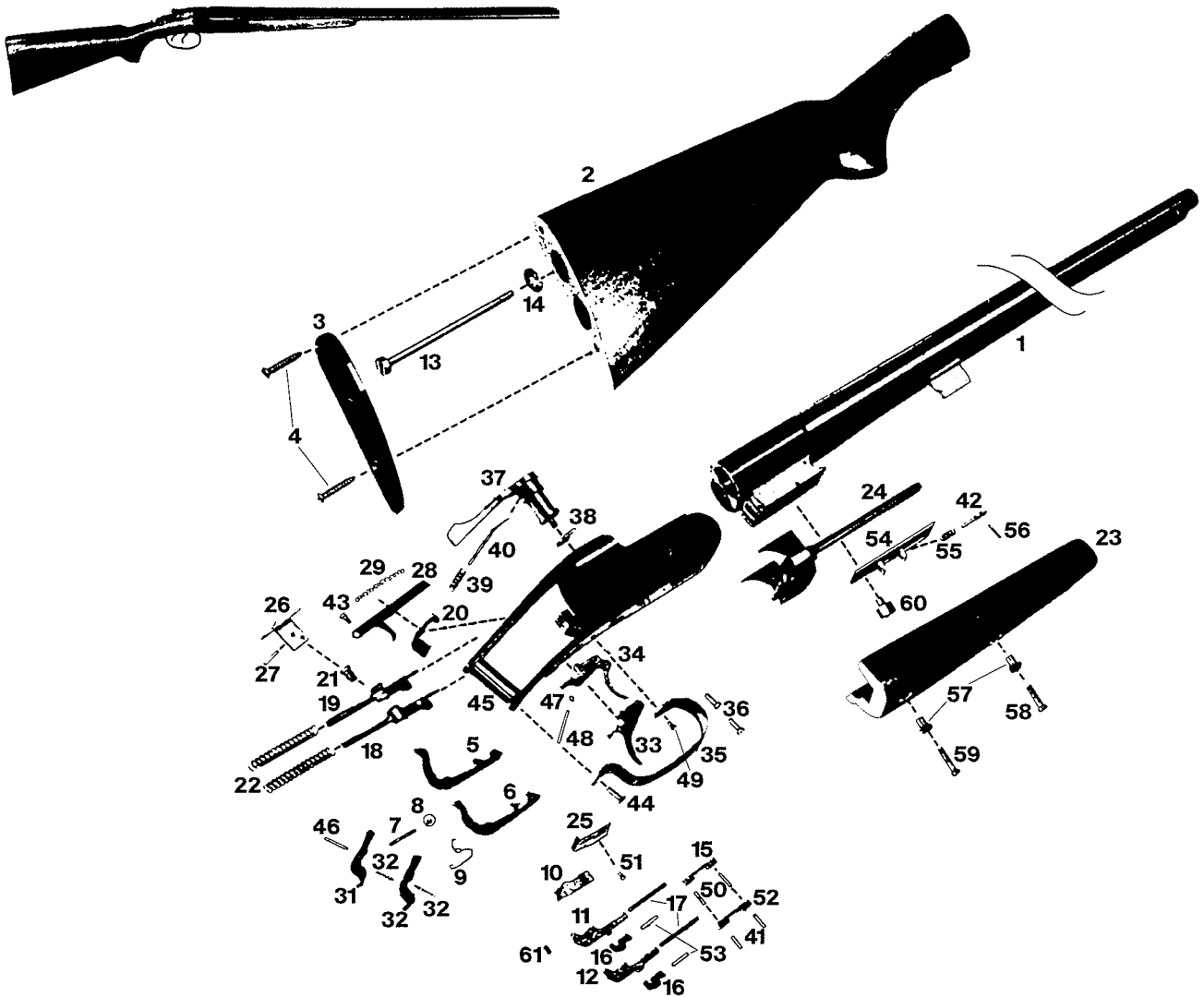
- Barrel Stop
- Barrel Stop Screw
- Barrel Stop Spring
- Barrels
- Buttstock
- Ejection Hammer Roll
- Ejection Hammer Roll Pin
- Ejection Hammer Spring Guide
- Rods
- Ejection Hammer Springs
- Ejection Hammer, Left

Model 23 XTR Side-by-Side Shotgun



1	Barrels	31	Forearm Catch Retaining Pin	61	Sear, Right
2	Barrel Locking Plate	32	Forearm Catch Stop Pin	62	Sear Springs
3	Buttplate	33	Forearm Escutcheon	63	Selective Ejector Rod, Left
4	Buttplate Screws	34	Forearm Plate, Upper	64	Selective Ejector Rod, Right
5	Buttstock	35	Forearm Plate Escutcheon, Upper	65	Selective Filler Block
6	Buttstock Bolt	36	Forearm Plate Screw, Upper Front	66	Sight, Front
7	Buttstock Bolt Washer (Flat)	37	Forearm Plate Screw, Upper Middle	67	Sight, Middle
8	Buttstock Bolt Washer (Lock)	38	Forearm Spacer	68	Tang Sear Catch Plate
9	Cocking Plate, Left	39	Forearm Spacer Plate	69	Tang Spacer
10	Cocking Plate, Right	40	Forearm Spacer Plate Retaining Screw	70	Tang Spacer Screw
11	Cocking Plate Pin	41	Forearm Spacer Plate Screw	71	Top Lever
12	Ejector, Left	42	Forearm Spacer Retaining Pin	72	Top Lever Locking Plate
13	Ejector, Right	43	Frame	73	Top Lever Locking Plate Screw
14	Ejector Cocking Lever	44	Frame Plate, Lower	74	Top Lever Plunger Guide
15	Ejector Cocking Lever Pin	45	Hammer/Firing Pin Assembly, Left	75	Top Lever Plunger Guide Pin
16	Ejector Hammer, Left	46	Hammer/Firing Pin Assembly, Right	76	Top Lever Spring
17	Ejector Hammer, Right	47	Hammer Catch, Left	77	Top Lever Spring Plunger
18	Ejector Hammer Retaining Pin	48	Hammer Catch, Right	78	Trigger
19	Ejector Hammer Springs	49	Hammer Catch Retaining Pin	79	Trigger Guard
20	Ejector Hammer Spring Housing, Left	50	Hammer Catch Springs	80	Trigger Guard Retaining Pin
21	Ejector Hammer Spring Housing, Right	51	Hammer Springs	81	Trigger Guard Screw
22	Ejector Retaining Screw	52	Hammer Spring Retaining Pins	82	Trigger Pin
23	Ejector Hammer Stopper	53	Locking Plate Connecting Block	83	Trigger Sear Catch
24	Ejector Hammer Stopper Screw, Front	54	Locking Plate Connecting Block Pin	84	Trigger Sear Catch Disconnecter Pin
25	Forearm	55	Safety	85	Trigger Sear Catch Pin
26	Forearm Catch	56	Safety-Lever Cam	86	Trigger Spring
27	Forearm Catch Lock	57	Safety Retaining Pin	87	Trigger Swivel Plunger
28	Forearm Catch Lock Retaining Pin	58	Safety Spring	88	Trigger Swivel Plunger Pin
29	Forearm Catch Lock Spring	59	Safety Stud	89	Trigger Swivel Plunger Spring
30	Forearm Catch Plate Complete	60	Sear, Left		

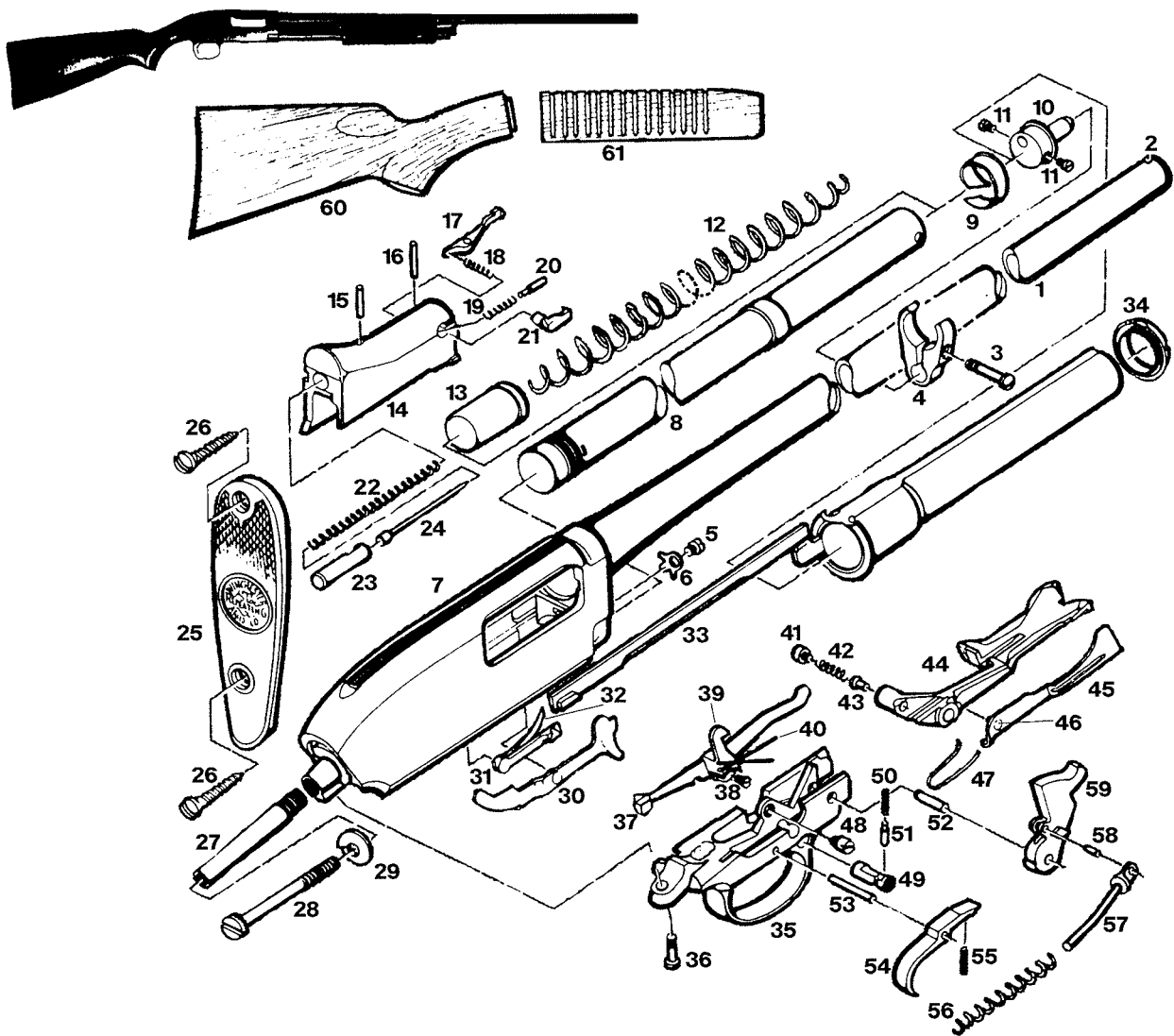
Model 24 Side-by-Side Shotgun



1	Barrel	22	Firing Pin Springs	43	Safety Slide Push Rod Screw
2	Buttstock	23	Forearm	44	Trigger Guard Screw, Rear
3	Buttplate	24	Forearm Shoe	45	Frame
4	Buttplate Screws	25	Locking Bolt	46	Sear Pin
5	Cocking Lever, Right	26	Safety Slide	47	Trigger Spacer
6	Cocking Lever, Left	27	Safety Slide Pin	48	Trigger Pin
7	Cocking Lever Pin	28	Safety Slide Push Rod	49	Trigger Guard Screw, Front
8	Cocking Lever Spacer	29	Safety Slide Spring	50	Extractor Guide Pins
9	Cocking Lever Spring	30	Sear, Right	51	Cocking Slide Retaining Screw
10	Cocking Slide	31	Sear, Left	52	Extractor Guide
11	Extractor, Right	32	Sear Springs	53	Extractor Lever Pins
12	Extractor, Left	33	Trigger, Right	54	Forearm Shoe Retainer
13	Buttstock Bolt	34	Trigger, Left	55	Forearm Shoe Retainer Spring
14	Buttstock Bolt Washer	35	Trigger Guard	56	Forearm Shoe Retainer Pin
15	Extractor Guide	36	Trigger Plate Screws	57	Forearm Escutcheons
16	Extractor Levers	37	Top Lever	58	Forearm Screw, Front
17	Extractor Springs	38	Top Lever Guide	59	Forearm Screw, Rear
18	Firing Pin Complete, Right	39	Top Lever Spring	60	Forearm Lug
19	Firing Pin Complete, Left	40	Top Lever Spring Guide Rod	61	Pin
20	Firing Pin Guide	41	Extractor Guide Pins		
21	Firing Pin Guide Screw	42	Forearm Retainer Shoe Plunger		

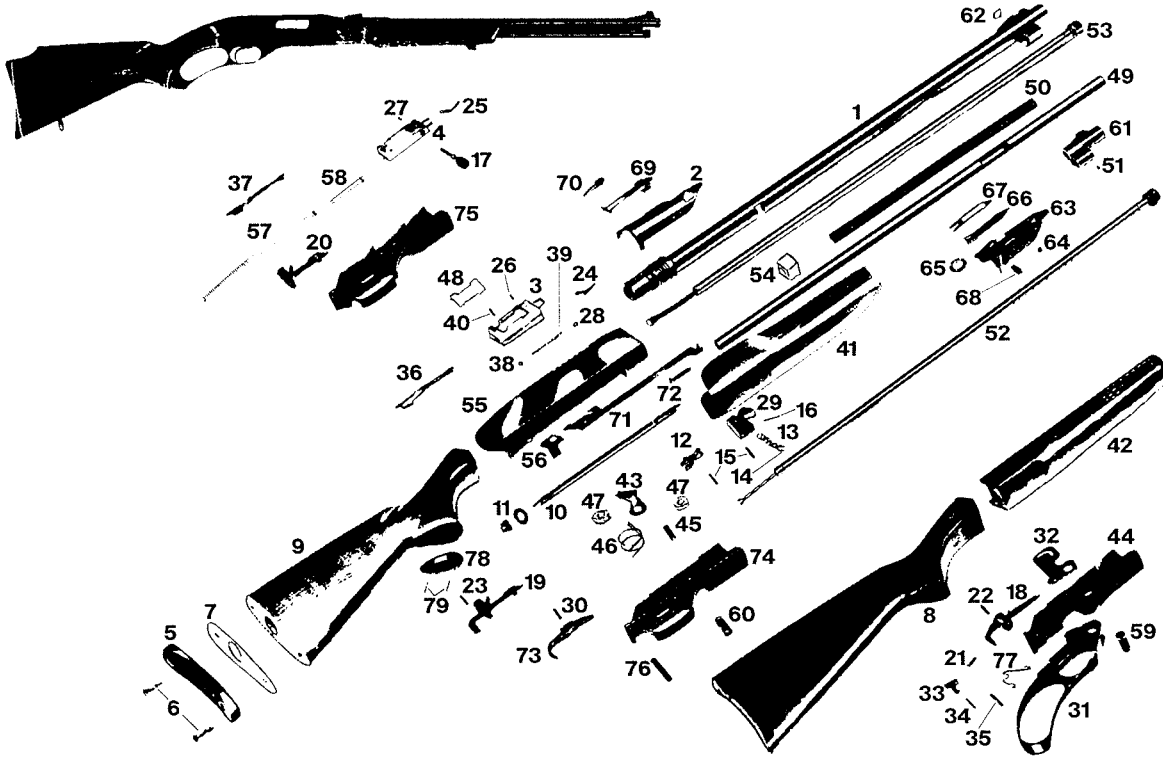
Model 25 Slide-Action Shotgun

Courtesy of Thomas E. Wessel



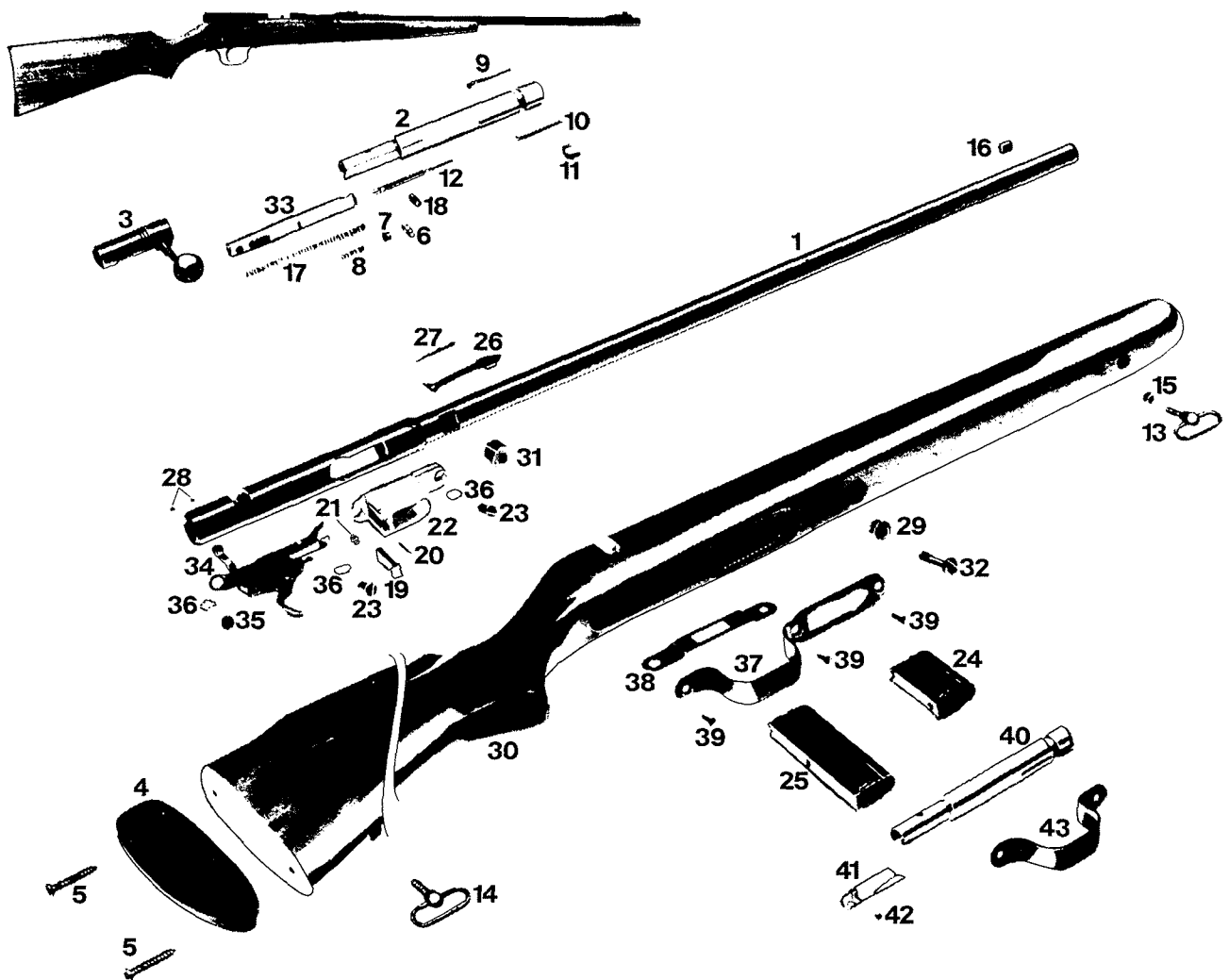
1	Barrel	22	Firing Pin Spring	43	Carrier Plunger
2	Front Sight	23	Firing Pin Striker	44	Carrier
3	Magazine Band Screw	24	Firing Pin	45	Cartridge Guide
4	Magazine Band	25	Buttplate	46	Cartridge Guide Pivot
5	Magazine Lock Screw	26	Buttplate Screws	47	Carrier Spring
6	Magazine Lock	27	Receiver Shank	48	Carrier Pivot
7	Receiver	28	Buttstock Bolt	49	Trigger Lock
8	Magazine	29	Buttstock Bolt Washer	50	Trigger Lock Plunger Spring
9	Action Slide Spring	30	Cartridge Cutoff	51	Trigger Lock Plunger
10	Magazine Plug	31	Ejector	52	Hammer Pin
11	Magazine Plug Screws	32	Ejector Spring	53	Trigger Pin
12	Magazine Spring	33	Action Slide	54	Trigger
13	Magazine Follower	34	Action Slide Sleeve Screw Cap	55	Trigger Spring
14	Breechbolt	35	Guard	56	Hammer Spring
15	Firing Pin Stop Pin	36	Guard Screw	57	Hammer Spring Guide Rod
16	Left Extractor Pin	37	Action Slide Lock	58	Hammer Spring Guide Pin
17	Left Extractor	38	Action Slide Lock Screw	59	Hammer
18	Left Extractor Spring	39	Action Slide Lock Pivot	60	Buttstock
19	Right Extractor Spring	40	Action Slide Lock Spring	61	Action Slide Handle
20	Right Extractor Spring Plunger	41	Carrier Plunger Screw		
21	Right Extractor	42	Carrier Plunger Spring		

Model 250, 255, 270, 275 and 290 Lever-Action Rifle



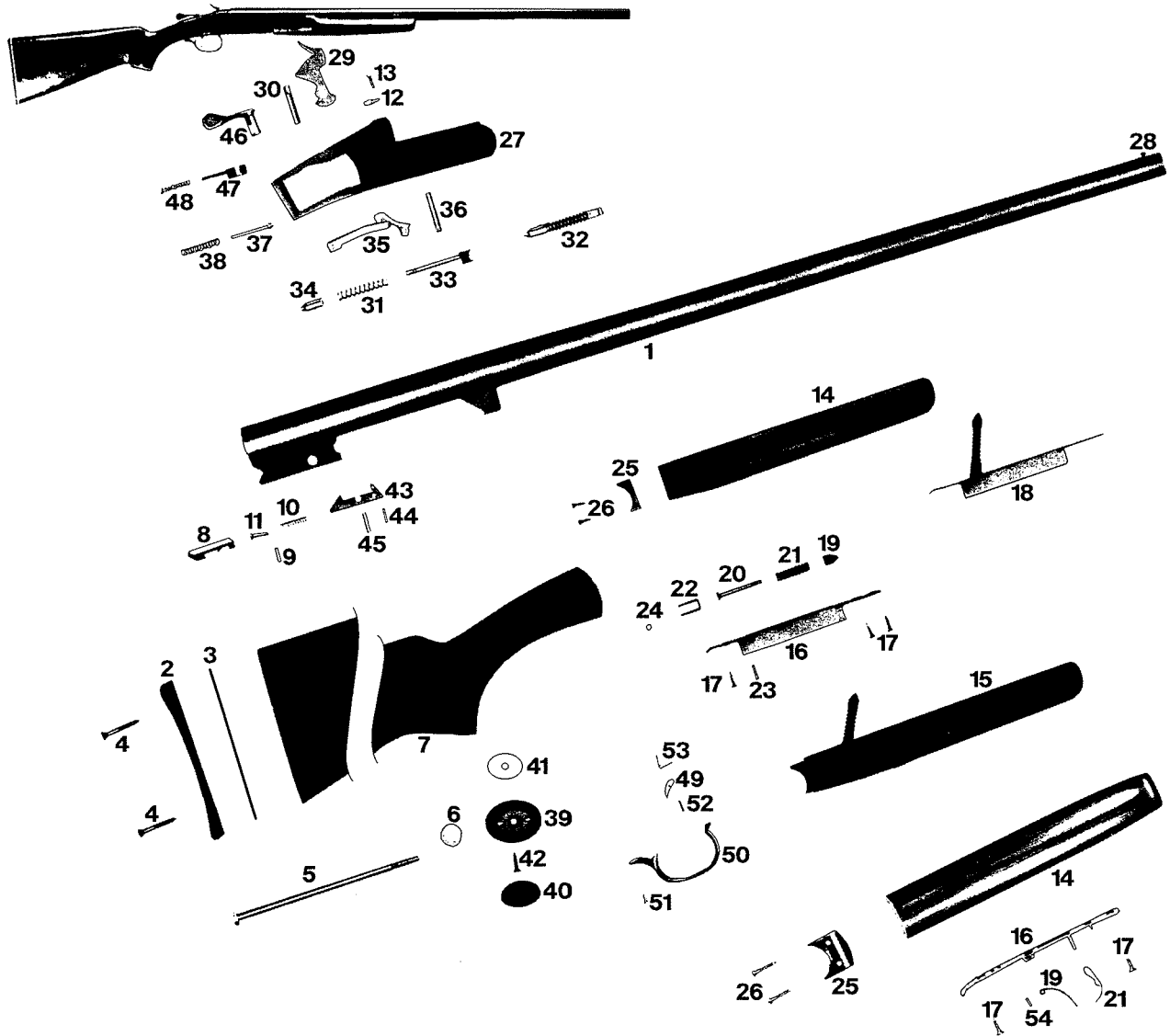
1	Barrel and Barrel Collar	27	Extractor Pin (Model 290)	53	Magazine Tube, Inside (Model 250, 270 and 290)
2	Barrel Collar Cover	28	Extractor Plunger	54	Magazine Tube Bracket
3	Breechbolt	29	Feed Guide	55	Receiver (Model 270)
4	Breechbolt (Model 290)	30	Feed Guide Pin	56	Recoil Plate
5	Buttplate	31	Finger Lever (Model 250 and 255)	57	Return Spring (Model 290)
6	Buttplate Screws	32	Finger Lever Arm (Model 250 and 255)	58	Return Spring Guide (Model 290)
7	Buttplate Spacer	33	Finger Lever Latch (Model 250 and 255)	59	Safety (Model 250 and 255)
8	Buttstock (Model 250 and 255)	34	Finger Lever Latch Pin (Model 250 and 255)	60	Safety (Model 270, 275 and 290)
9	Buttstock (Model 270, 275 and 290)	35	Finger Lever Pin (Model 250 and 255)	61	Sight, Front (Plastic)
10	Buttstock Bolt	36	Firing Pin (Model 250 and 270)	62	Sight, Front (Metal)
11	Buttstock Nut with Washer	37	Firing Pin (Model 290)	63	Sight Base, Rear (Model 270)
12	Carrier	38	Firing Pin Plunger	64	Sight Base Screw, Rear
13	Carrier Coil Spring	39	Firing Pin Spring	65	Sight Elevator, Rear
14	Carrier Coil Spring Plunger	40	Firing Pin Stop Pin	66	Sight Leaf, Rear
15	Carrier Pin and Trigger Pin	41	Forend (Model 270 and 275)	67	Sight Spring, Rear
16	Carrier Stop Pin	42	Forend (Model 250, 255 and 290)	68	Sight Windage Screw, Rear
17	Cocking Handle (Model 290)	43	Hammer	69	Sight, Rear
18	Disconnecter and Sear Assembly (Model 250 and 255)	44	Hammer Housing (Model 250 and 255)	70	Sight Elevator, Rear
19	Disconnecter and Sear Assembly (Model 270 and 275)	45	Hammer Pin	71	Slide Arm (Model 270 and 275)
20	Disconnecter and Sear Assembly (Model 290)	46	Hammer Spring	72	Slide Arm Screw (Model 270 and 275)
21	Disconnecter Coil Spring (Model 250 and 255)	47	Hammer Spring Supports	73	Trigger Assembly
22	Disconnecter Pin (Model 250 and 255)	48	Locking Plate	74	Trigger Guard (Model 270 and 275)
23	Disconnecter Pin (Model 270 and 275)	49	Magazine Tube, Outside (old)	75	Trigger Guard (Model 290)
24	Extractor (Model 250 and 270)	50	Magazine Tube, Outside	76	Trigger Guard Pin, Rear
25	Extractor (Model 290)	51	Magazine Tube Retaining Pin	77	Trigger Spring (Model 250 and 255)
26	Extractor Pin	52	Magazine Tube, Inside	78	Pistol Grip Cap
				79	Pistol Grip Screws

Model 310 and 320 Bolt-Action Rifle



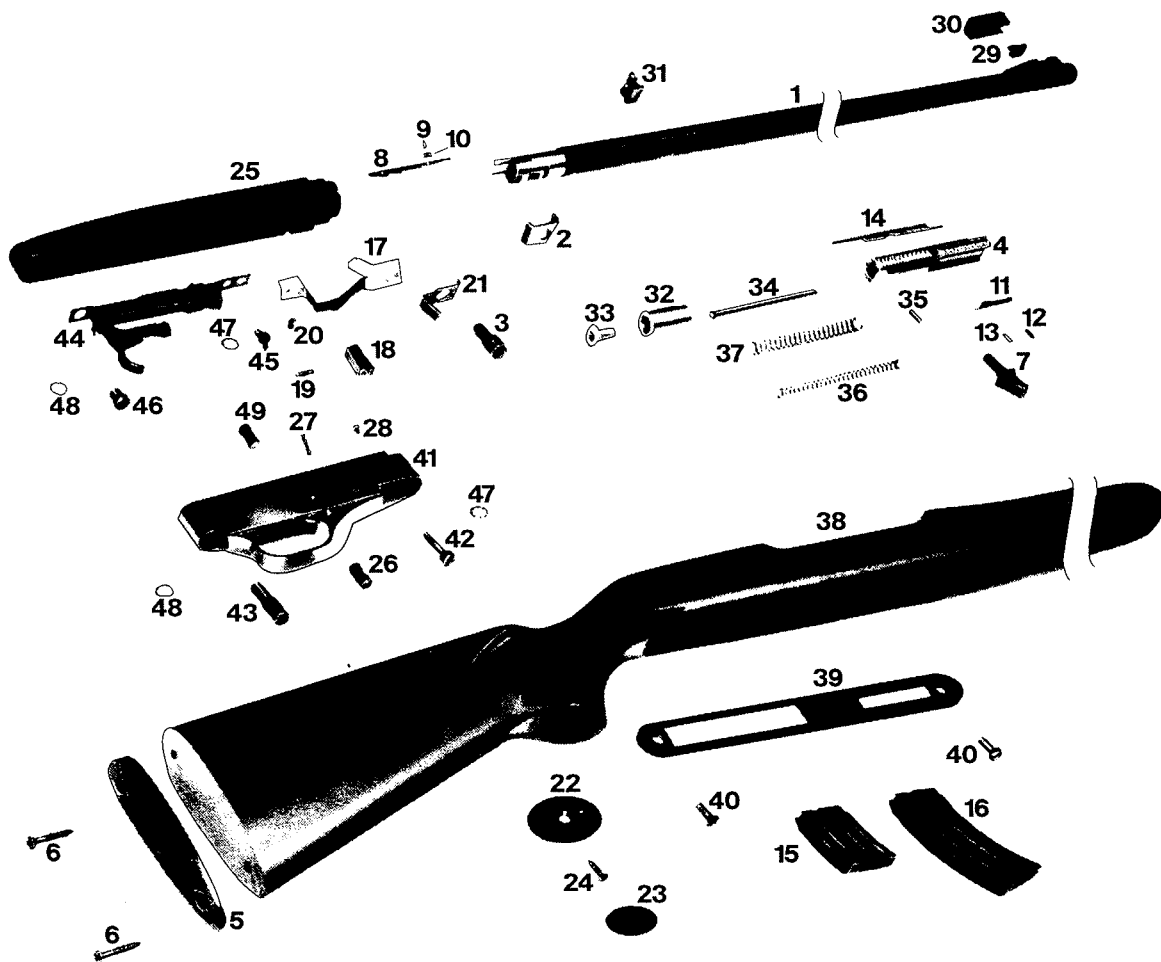
1	Barrel with Receiver Assembly	23	Magazine Housing Screws
2	Breechbolt	24	Magazine Assembly, 5-Shot
3	Breechbolt Sleeve with Handle	25	Magazine Assembly, 10-Shot
4	Buttplate	26	Rear Sight
5	Buttplate Screws	27	Rear Sight Elevator
6	Cocking Stud	28	Sight Base Plug Screws
7	Cocking Stud Retainer	29	Stock Escutcheon
8	Cocking Stud Retainer Spring	30	Stock
9	Extractor, Left	31	Stock Stud
10	Extractor, Right	32	Stock Stud Screw
11	Extractor Spring	33	Striker
12	Firing Pin	34	Trigger Housing Assembly
13	Forend Screw Eye Assembly	35	Trigger Housing Screw
14	Buttstock Screw Eye Assembly	36	Trigger and Magazine Housing Screw
15	Forend Screw Eye Escutcheon		Washers
16	Front Sight	37	Trigger Guard
17	Mainspring	38	Trigger Guard Plate
18	Mainspring Retaining Pin	39	Trigger Guard Screws
19	Magazine Catch	40	Breechbolt (Model 310)
20	Magazine Catch Pin	41	Feed Ramp with Ejector (Model 310)
21	Magazine Catch Spring	42	Feed Ramp Screw (Model 310)
22	Magazine Housing and Ejector	43	Trigger Guard (Model 310)

Model 37A, 370 and 840 Single Shot Shotgun



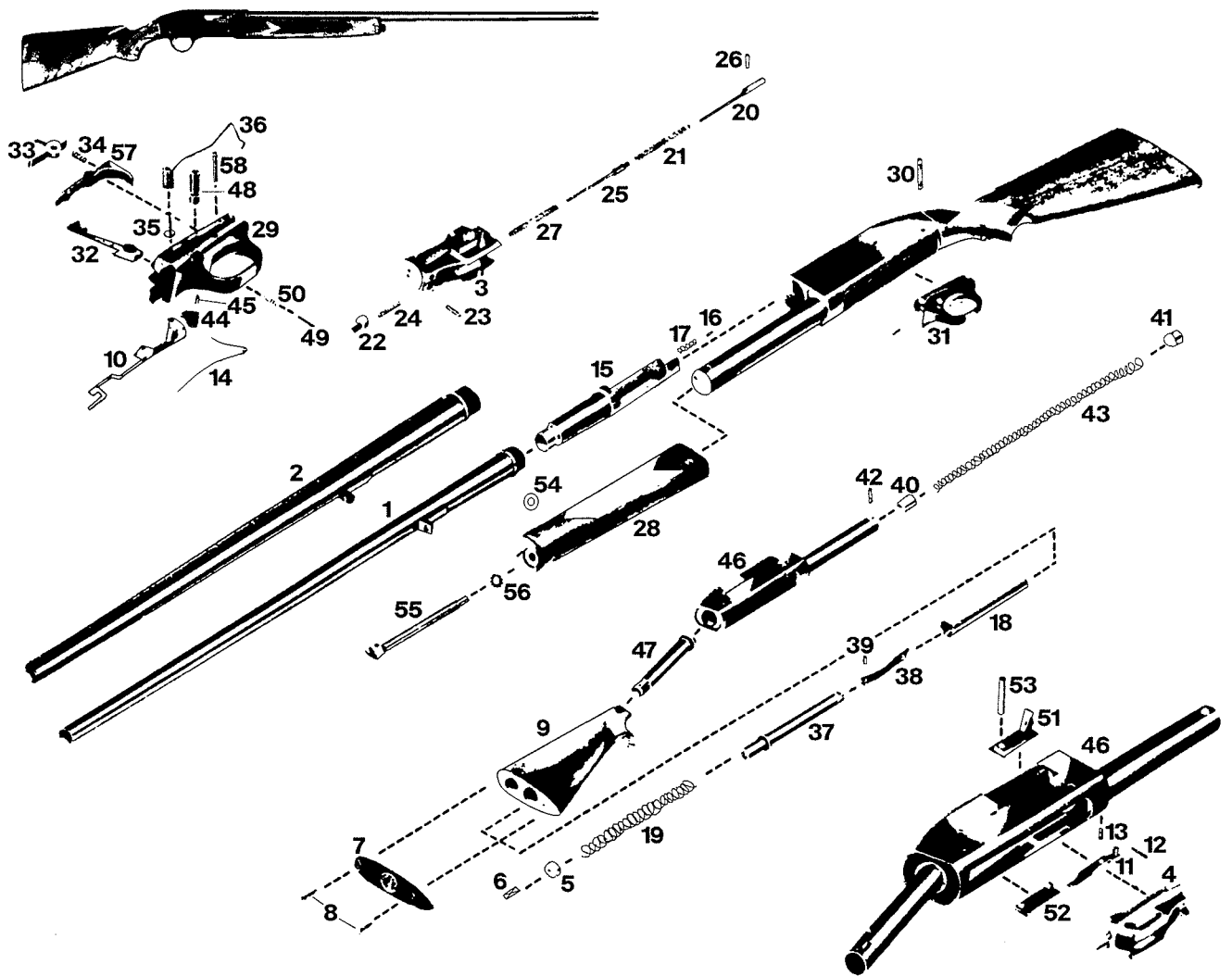
1	Barrel	19	Forearm Retainer	37	Locking Bolt Plunger
2	Buttplate	20	Forearm Retainer Rod	38	Locking Bolt Plunger Spring
3	Buttplate Spacer	21	Forearm Retainer Spring	39	Pistol Grip Cap
4	Buttplate Screws	22	Forearm Retainer Bracket	40	Pistol Grip Cap Insert
5	Buttstock Bolt	23	Forearm Retainer Bracket Pin	41	Pistol Grip Cap Spacer
6	Buttstock Bolt Washer	24	Forearm Retainer Bracket Spring	42	Pistol Grip Cap Screw
7	Buttstock Complete	25	Forearm Spacer	43	Extractor Sear
8	Extractor	26	Forearm Spacer Screws	44	Extractor Sear Pin
9	Extractor Pin	27	Frame	45	Extractor Sear Retaining Pin
10	Extractor Spring	28	Front Sight	46	Top Lever
11	Extractor Spring Plunger	29	Hammer	47	Top Lever Plunger
12	Firing Pin	30	Hammer Pin	48	Top Lever Plunger Spring
13	Firing Pin Retaining Screw	31	Hammer Spring	49	Trigger
14	Forearm	32	Hammer Spring Assembly	50	Trigger Guard
15	Forearm Complete	33	Hammer Spring Plunger	51	Trigger Guard Screw
16	Forearm Catch Plate	34	Hammer Spring Plunger Bushing	52	Trigger Pin
17	Forearm Catch Plate Screws	35	Locking Bolt and Connecting Rod	53	Trigger Spring
18	Forearm Catch Plate Assembly	36	Locking Bolt Pin	54	Forearm Catch Plate Pin

Model 490 Autoloading Rifle



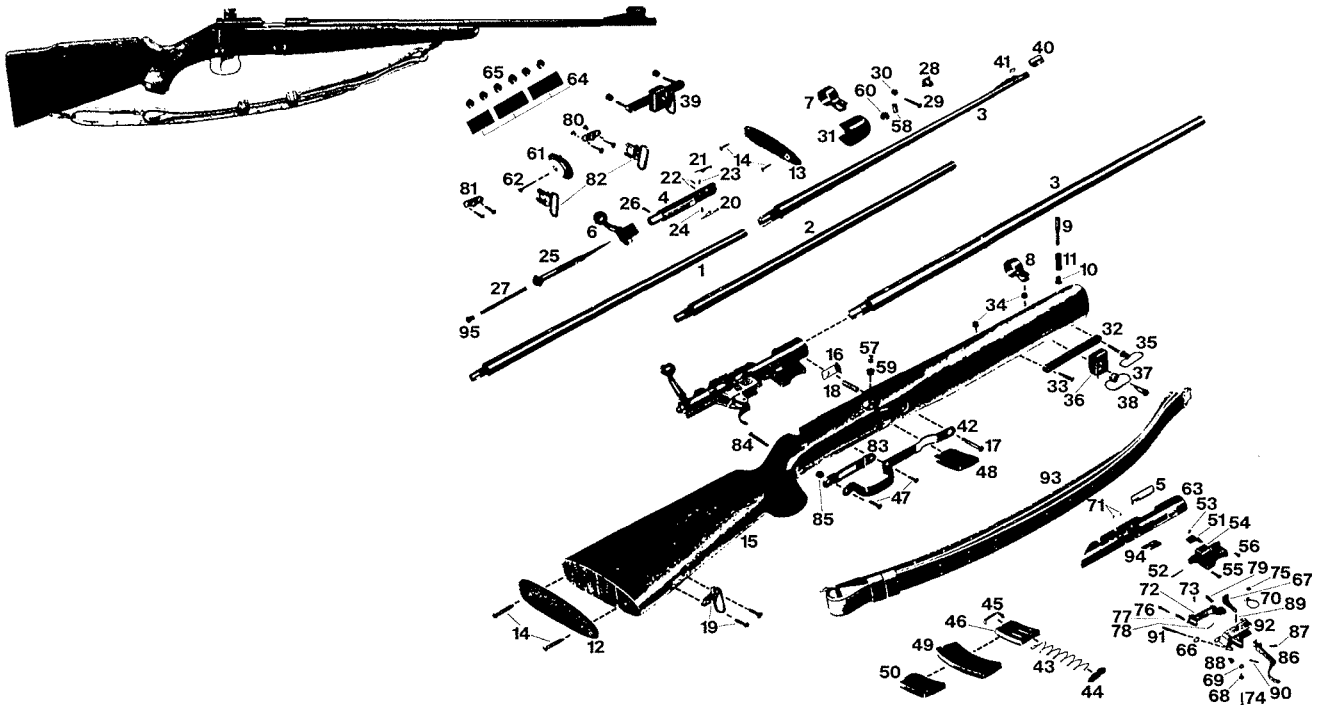
1	Barrel	18	Magazine Lock	35	Striker Rod Pin
2	Barrel Bracket	19	Magazine Lock Pin	36	Striker Spring, Inside
3	Barrel Bracket Stud	20	Magazine Lock Spring	37	Striker Spring, Outside
4	Breechbolt	21	Magazine Guide	38	Stock
5	Buttplate	22	Pistol Grip Cap	39	Stock Floorplate
6	Buttplate Screws	23	Pistol Grip Cap Insert	40	Stock Floorplate Screws
7	Cocking Handle	24	Pistol Grip Cap Screw	41	Trigger Guard
8	Ejector	25	Receiver	42	Front Trigger Guard Screw
9	Ejector Pin	26	Safety	43	Rear Trigger Guard Screw
10	Ejector Spring	27	Safety Spring	44	Trigger Housing Assembly
11	Extractor	28	Safety Spring Screw	45	Trigger Housing Screw, Front
12	Extractor Pin	29	Front Sight	46	Trigger Housing Screw, Rear
13	Extractor Spring	30	Front Sight Cover	47	Front Trigger Housing/Trigger Guard Screw Washers
14	Firing Pin	31	Rear Sight	48	Rear Trigger Housing/Guard Screw Washers
15	Magazine Assembly, 5 Shot	32	Striker	49	Trigger Stop Pin
16	Magazine Assembly, 10 Shot	33	Striker Retainer		
17	Magazine Housing	34	Striker Rod		

Model 50 and 59 Autoloading Shotgun



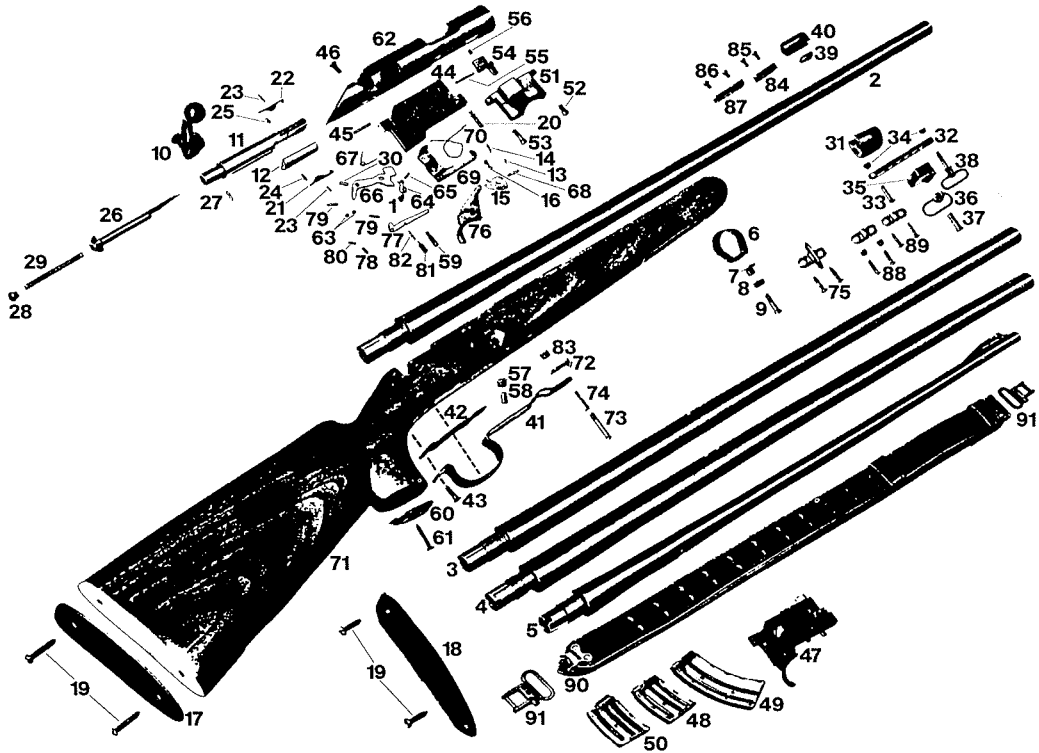
- | | | | | | |
|----|------------------------|----|------------------------|----|-------------------------|
| 1 | Barrel, Plain | 21 | Ejector Spring | 41 | Magazine Plug |
| 2 | Barrel, Ventilated Rib | 22 | Extractor | 42 | Magazine Plug Pin |
| 3 | Bolt | 23 | Extractor Pin | 43 | Magazine Spring |
| 4 | Bolt, Complete | 24 | Extractor Spring | 44 | Pawl |
| 5 | Buffer Plug | 25 | Firing Pin | 45 | Pawl Pin |
| 6 | Buffer Lock | 26 | Firing Pin Stop Pin | 46 | Receiver |
| 7 | Buttplate | 27 | Firing Pin Spring | 47 | Receiver Extension Tube |
| 8 | Buttplate Screws | 28 | Forearm | 48 | Safety |
| 9 | Buttstock | 29 | Trigger Guard | 49 | Safety Plunger |
| 10 | Carrier | 30 | Trigger Guard Pin | 50 | Safety Plunger Spring |
| 11 | Carrier Lock | 31 | Trigger Guard Complete | 51 | Slide, Right |
| 12 | Carrier Lock Screw | 32 | Hammer | 52 | Slide, Left |
| 13 | Carrier Lock Spring | 33 | Hammer Catch | 53 | Slide Pin |
| 14 | Carrier Spring | 34 | Hammer Catch Spring | 54 | Takedown Retaining Ring |
| 15 | Chamber | 35 | Hammer Pin | 55 | Takedown Screw |
| 16 | Chamber Plunger | 36 | Hammer Spring | 56 | Takedown Screw Washer |
| 17 | Chamber Plunger Spring | 37 | Inertia Rod | 57 | Trigger |
| 18 | Closing Spring Tube | 38 | Link | 58 | Trigger Pin |
| 19 | Closing Spring | 39 | Link Pin | | |
| 20 | Ejector | 40 | Magazine Follower | | |

Model 52B Target and Sporting Bolt-Action Rifle



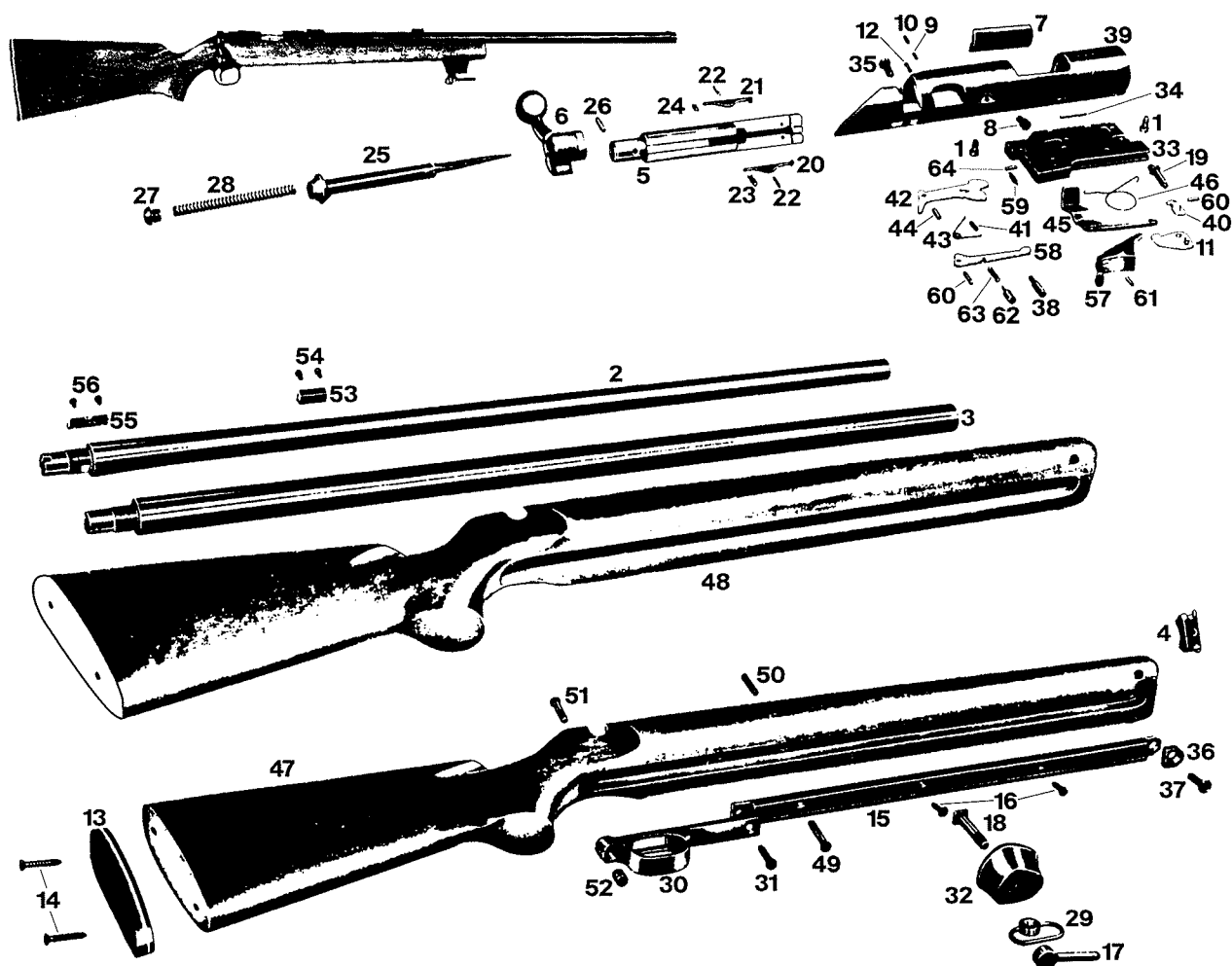
- | | | |
|---|---|--|
| 1 Barrel, Standard | 36 Forearm Adjusting Swivel Base | 63 Receiver |
| 2 Barrel, Heavy | 37 Forearm Adjusting Swivel Bow | 64 Resilient Spacer (3 in set) |
| 3 Barrel, Bull | 38 Forearm Adjusting Swivel Bow | 65 Resilient Spacer (6 in set) |
| 4 Breechbolt | Base Screw | 66 Safety Washer |
| 5 Breechbolt Guide | 39 Forearm Adjusting Base | 67 Safety-Lever |
| 6 Breechbolt Handle | Complete | 68 Safety-Lever Screw |
| 7 Barrel Band for Standard Barrel | 40 Front Sight Cover | 69 Safety-Lever Screw Nut |
| 8 Barrel Band for Heavy Barrel | 41 Front Sight | 70 Safety-Lever Spring |
| 9 Barrel Band Screw | 42 Trigger Guard | 71 Safety Slide Pins |
| 10 Barrel Band Screw Escutcheon | 43 Magazine Spring | 72 Sear and Pin |
| 11 Barrel Band Screw Bushing | 44 Magazine Base | 73 Sear Pin |
| 12 Buttplate | 45 Magazine Follower | 74 Sear Screw |
| 13 Buttplate, Sporting | 46 Magazine Box | 75 Sear Screw Nut |
| 14 Buttplate Screws | 47 Trigger Guard Screws, Rear | 76 Sear Plunger |
| 15 Buttstock | 48 Magazine, 5-Shot | 77 Sear Plunger Spring |
| 16 Buttstock Abutment Plate | 49 Magazine, 10-Shot | 78 Sear Plunger Pin |
| 17 Buttstock Screw | 50 Single Loading Adapter | 79 Sear Spring |
| 18 Buttstock Screw Bushing | 51 Magazine Catch | 80 Snap Swivel Base Complete |
| 19 Buttstock Swivel Base Complete | 52 Magazine Catch Pin | (Forearm) |
| 20 Extractor, Right | 53 Magazine Catch Spring | 81 Snap Swivel Base Complete |
| 21 Extractor, Left | 54 Magazine Holder | (Stock) |
| 22 Extractor Pins | 55 Rear Magazine Holder Screw, | 82 Sling Strap Snap Swivels |
| 23 Extractor Spring, Left | Long | 83 Trigger Guard Plate |
| 24 Extractor Spring, Right | 56 Front Magazine Holder Screw, | 84 Tang Screw |
| 25 Firing Pin | Short | 85 Tang Screw Escutcheon |
| 26 Firing Pin Guide Pin | 57 Magazine Release Plunger, | 86 Trigger |
| 27 Firing Pin Spring | Standard | 87 Trigger Adjusting Screw |
| 28 Forearm Stud | 58 Magazine Release Plunger, | 88 Trigger Holder Screw |
| 29 Forearm Stud Screw | Sporting | 89 Trigger Pin |
| 30 Forearm Stud Screw Escutcheon | 59 Magazine Release Plunger | 90 Trigger Spring |
| 31 Forearm Tip | Escutcheon, Standard | 91 Trigger Spring Adjusting Screw |
| 32 Forearm Adjustable Base | 60 Magazine Release Plunger | 92 Trigger Housing |
| 33 Forearm Adjustable Base Screw | Escutcheon, Sporting | 93 Sling |
| 34 Adjustable Screw Escutcheons | 61 Pistol Grip Cap | 94 Safety Slide |
| 35 Forearm Adjustable Front Swivel | 62 Pistol Grip Cap Screw | 95 Firing Pin Spring Plug |
| Bow Complete | | |

Model 52C Target and Sporting Bolt-Action Rifle



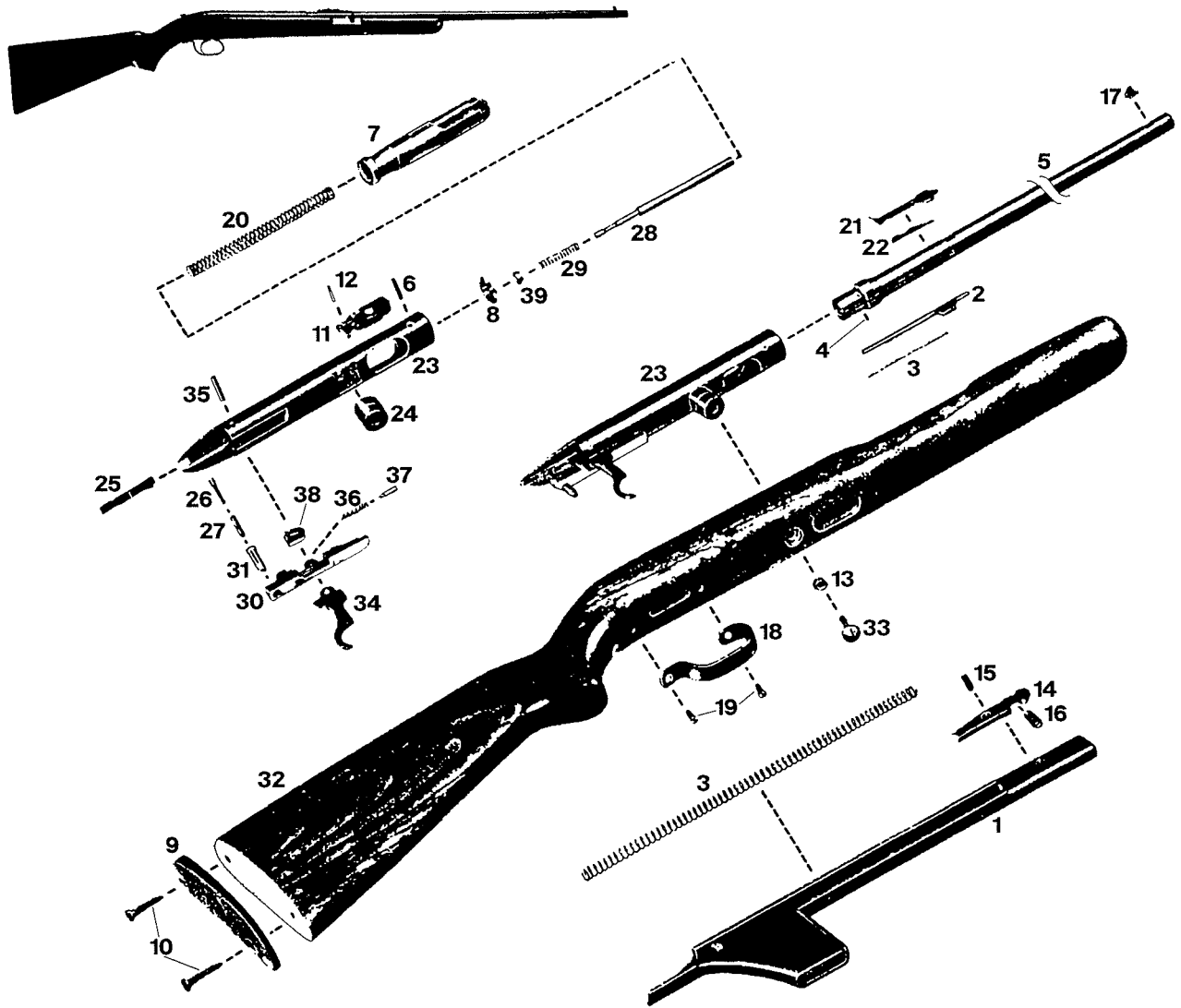
1	Adjustment Locking Screw	32	Forearm Adjustment Base	61	Pistol Grip Cap Screw
2	Barrel, Standard	33	Forearm Adjustment Base Screw, Rear	62	Receiver
3	Barrel, Heavy	34	Forearm Adjustment Base Screw Escutcheons	63	Receiver Sight Base Plug Screws
4	Barrel, Bull	35	Forearm Adjusting Swivel Base	64	Rocker
5	Barrel, Sporting	36	Forearm Adjusting Swivel Bow	65	Rocker Pin
6	Barrel Band	37	Forearm Adjusting Swivel Bow Base Screw	66	Sear
7	Barrel Band Lug	38	Forearm Adjustment Front Swivel Bow Complete, Front Screw	67	Sear Spring
8	Barrel Band Escutcheon	39	Front Sight Blank	68	Sear Pivot Pin
9	Barrel Band Screw	40	Front Sight Cover	69	Safety-Lever
10	Breechbolt Handle	41	Trigger Guard	70	Safety-Lever Spring
11	Breechbolt	42	Trigger Guard Plate	71	Stock
12	Breechbolt Guide	43	Trigger Guard Screw	72	Stock Abutment Plate
13	Breechbolt Handle Locking Plunger Pin	44	Trigger Housing	73	Stock Screw
14	Breechbolt Handle Locking Plunger Spring	45	Trigger Housing Retaining Pin	74	Stock Screw Bushing
15	Breechbolt Lock	46	Trigger Housing Screw	75	Stock Swivel Base Complete
16	Breechbolt Handle Locking Plunger	47	Trigger Housing Complete	76	Trigger
17	Buttplate	48	Magazine Complete, 5-Shot	77	Trigger Lever
18	Buttplate, Sporting	49	Magazine Complete, 10-Shot	78	Trigger Spring
19	Buttplate Screws	50	Magazine Single Shot Adapter	79	Trigger Lever Pins
20	Engagement Adjusting Screw Assembly	51	Magazine Holder	80	Trigger Pin
21	Extractor, Right	52	Magazine Holder Screw, Front	81	Trigger Pull Adjusting Screw
22	Extractor, Left	53	Magazine Holder Screw, Rear	82	Trigger Pull Adjusting Spring
23	Extractor Pins	54	Magazine Catch	83	Tang Screw Escutcheon
24	Extractor Spring, Right	55	Magazine Catch Pin	84	Telescope Front Mount Base Complete
25	Extractor Spring, Left	56	Magazine Catch Spring	85	Telescope Front Mount Base Screws
26	Firing Pin	57	Magazine Release Plunger	86	Telescope Rear Mount Base Complete
27	Firing Pin Guide Pin	58	Magazine Release Plunger Escutcheon	87	Telescope Rear Mount Base Screws
28	Firing Pin Plug	59	Overtravel Adjusting Screw	88	Snap Swivel Base Complete, Forearm
29	Firing Pin Spring	60	Pistol Grip Cap	89	Snap Swivel Base Complete, Stock
30	Forearm Stud Screw			90	Sling Strap
31	Forearm Tip			91	Sling Strap Snap Swivel

Model 52D Target Bolt-Action Rifle



1	Adjustment Locking Screw	22	Extractor Pins	45	Safety-Lever
2	Barrel, Standard	23	Extractor Spring, Right	46	Safety-Lever Spring
3	Barrel, Heavy	24	Extractor Spring, Left	47	Stock, Standard
4	Bedding Screw Holder	25	Firing Pin	48	Stock, Heavy
5	Breechbolt	26	Firing Pin Guide Pin	49	Stock Screw
6	Breechbolt Handle	27	Firing Pin Plug	50	Stock Screw Bushing
7	Breechbolt Guide	28	Firing Pin Spring	51	Tang Screw
8	Breechbolt Guide Screw	29	Forend Swivel	52	Tang Screw Nut
9	Breechbolt Handle Locking Plunger Pin	30	Guard	53	Telescope Front Mount Base Screws
10	Breechbolt Handle Locking Plunger Spring	31	Guard Screw	54	Telescope Front Mount Base Screws
11	Breechbolt Lock	32	Hand Stop	55	Telescope Front and Rear Sight Mount Base
12	Breechbolt Handle Locking Plunger	33	Trigger Housing	56	Telescope Rear Mount Base Screws
13	Rubber Non-Slip Buttplate	34	Trigger Housing Retaining Pin	57	Trigger
14	Buttplate Screws	35	Trigger Housing Screw	58	Trigger Lever
15	Channel	36	Insulator	59	Trigger Spring
16	Channel Screws	37	Insulator Screw	60	Trigger Lever Pins
17	Clamp Lever	38	Overtravel Adjusting Screw	61	Trigger Pin
18	Clamp Screw	39	Receiver	62	Trigger Pull Adjusting Screw
19	Engagement Adjusting Screw	40	Rocker	63	Trigger Pull Adjusting Spring
20	Extractor, Right	41	Rocker Pin	64	Trigger Spring Pin
21	Extractor, Left	42	Sear		
		43	Sear Spring		
		44	Sear Pivot Pin		

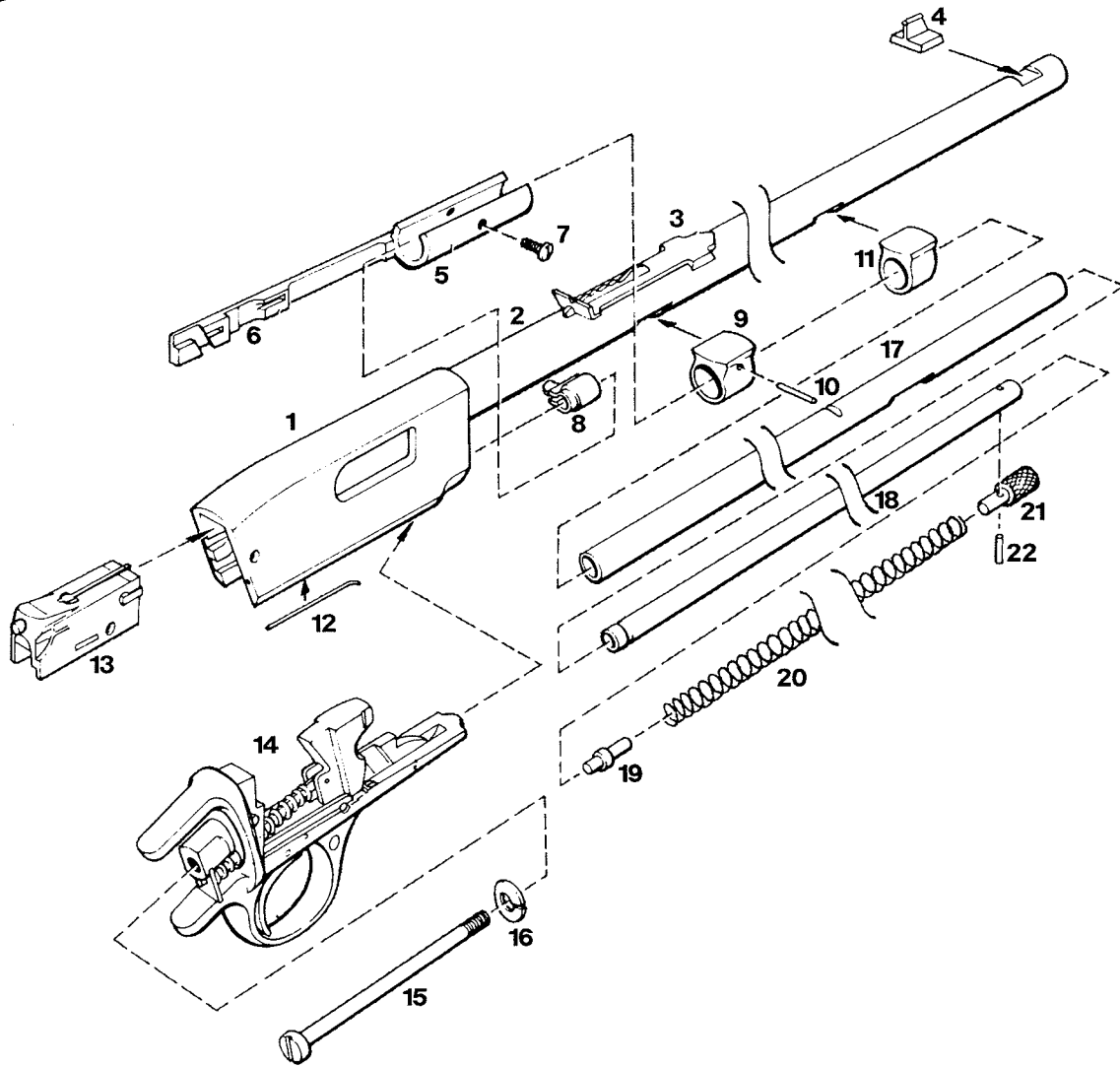
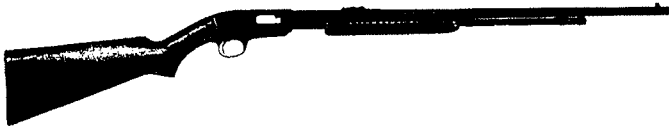
Model 55 Autoloading Rifle



1	Action Slide	21	Rear Sight
2	Action Slide Complete	22	Rear Sight Elevator
3	Action Slide Spring	23	Receiver
4	Action Slide Stop Pin	24	Receiver Stud
5	Barrel	25	Safety
6	Barrel Locating Pin	26	Safety Plunger
7	Bolt	27	Safety Plunger Spring
8	Buffer Washer	28	Safety Rod
9	Buttplate	29	Safety Rod Spring
10	Buttplate Screws	30	Sear
11	Cover	31	Safety Sleeve
12	Cover Pin	32	Stock
13	Stock Screw Escutcheon	33	Stock Stud Screw
14	Extractor	34	Trigger
15	Extractor Pin	35	Trigger Pin
16	Extractor Spring	36	Trigger Spring
17	Front Sight	37	Trigger Spring Plunger
18	Trigger Guard	38	Trigger Top
19	Trigger Guard Bow Screws	39	Washer
20	Mainspring		

Model 61 Slide-Action Rifle

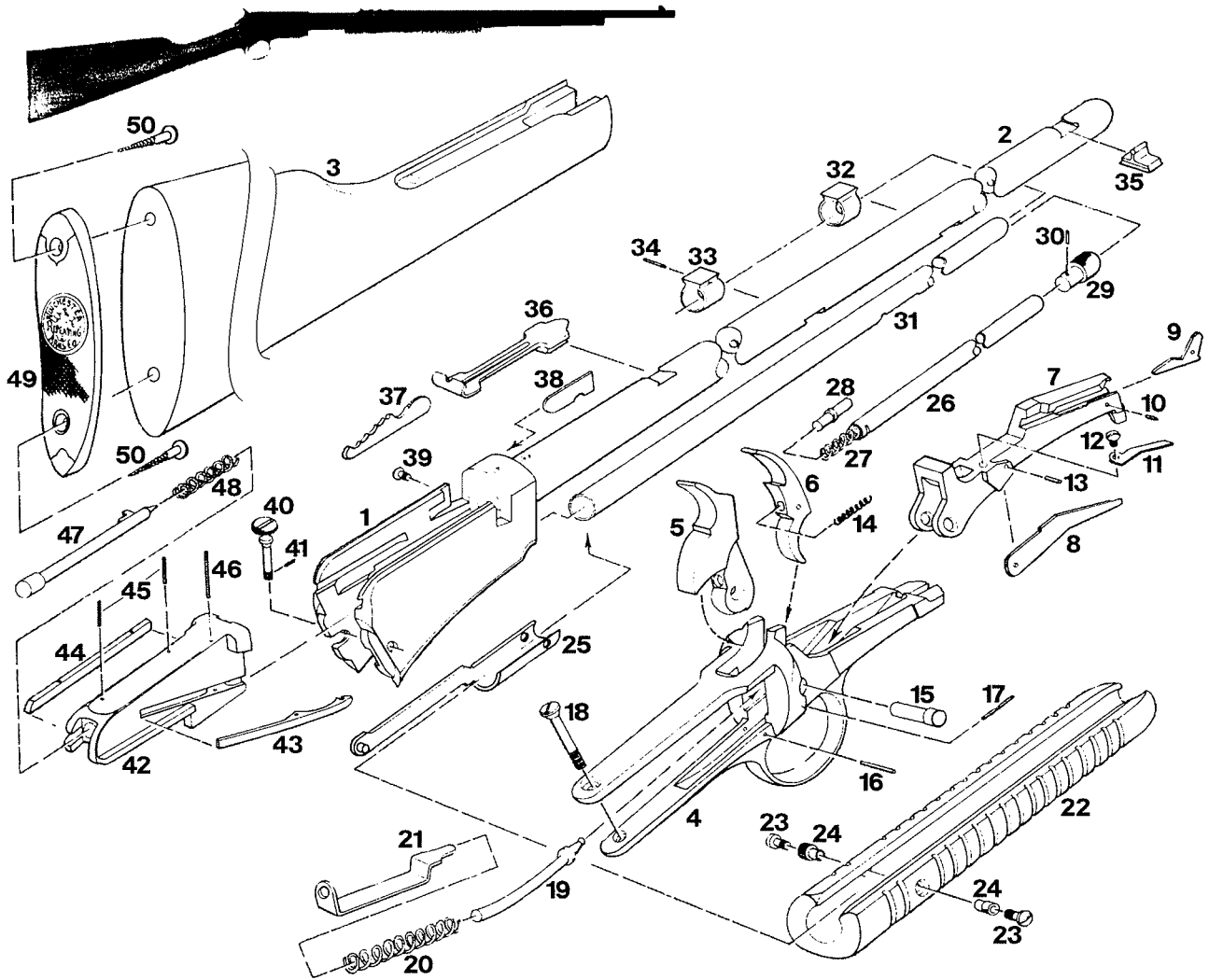
Courtesy of James M. Triggs



1	Receiver	15	Buttstock Bolt
2	Barrel	16	Buttstock Bolt Washer
3	Rear Sight and Elevator	17	Magazine Tube, Outer
4	Front Sight	18	Magazine Tube, Inner
5	Action Slide Sleeve	19	Magazine Follower
6	Action Slide Bar	20	Magazine Spring
7	Action Slide Handle Screws	21	Magazine Plug
8	Cartridge Cutoff Assembly	22	Magazine Plug Pin
9	Rear Magazine Ring	Parts Not Shown	
10	Rear Magazine Ring Pin	Action Handle Escutcheons	
11	Front Magazine Ring	Buttplate	
12	Breechbolt Retaining Spring	Buttplate Screws	
13	Breechbolt Assembly	Buttstock	
14	Trigger Guard Assembly		

Model 62A Slide-Action Rifle

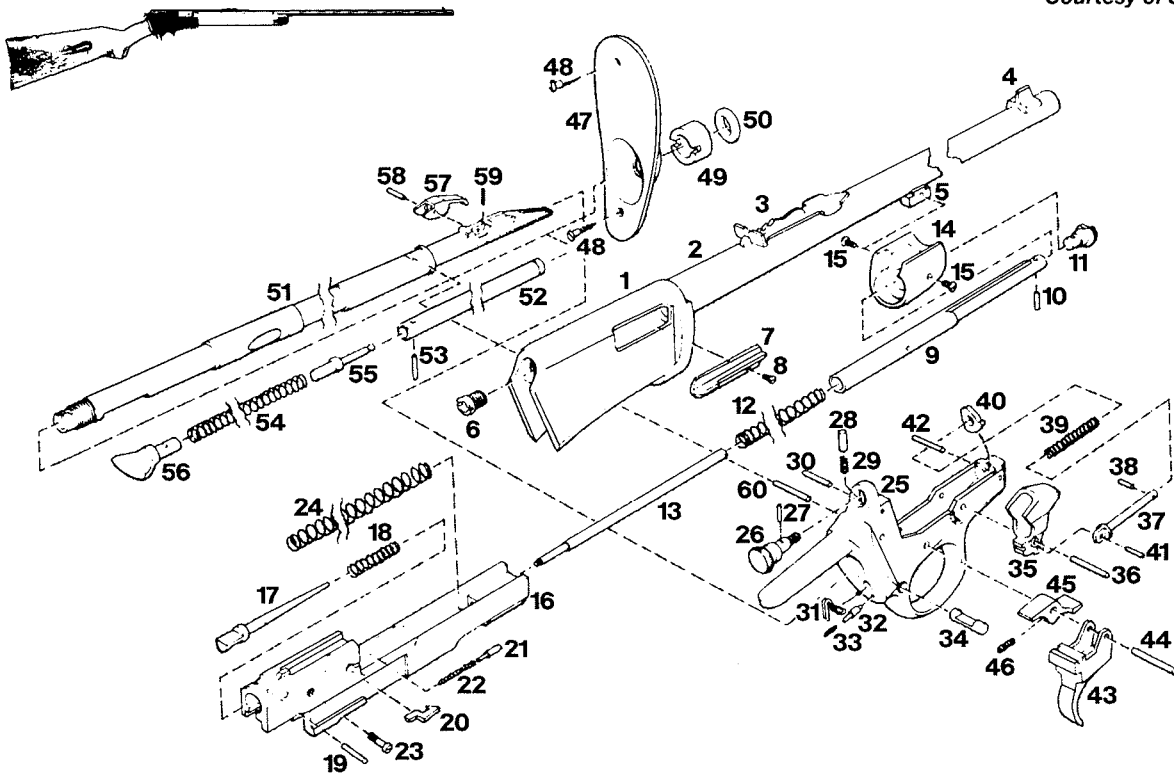
Courtesy of Thomas E. Wessel



1	Receiver	19	Hammer Spring Abutment	34	Magazine Ring Pin, Rear
2	Barrel		Guide Rod	35	Front Sight
3	Buttstock	20	Hammer Spring	36	Rear Sight
4	Trigger Guard	21	Hammer Spring Abutment	37	Rear Sight Elevator
5	Hammer	22	Action Slide Handle	38	Slide Cover
6	Trigger	23	Action Slide Handle Screws	39	Slide Cover Stop Screw
7	Carrier	24	Action Slide Handle	40	Assembling Screw
8	Carrier Lever		Escutcheons	41	Assembling Screw Stop Pin
9	Cartridge Stop	25	Action Slide	42	Breechbolt
10	Cartridge Stop Pin	26	Magazine Tube, Inner	43	Extractor
11	Carrier Lever Spring	27	Magazine Spring	44	Firing Pin Stop
12	Carrier Lever Spring Screw	28	Magazine Follower	45	Firing Pin Stop Pins
13	Carrier Lever Pin	29	Magazine Plug	46	Extractor Pin
14	Trigger Spring	30	Magazine Plug Pin	47	Firing Pin
15	Assembling Screw Bushing	31	Magazine Tube, Outer	48	Firing Pin Spring
16	Hammer Spring Abutment Pin	32	Magazine Ring, Front	49	Buttplate
17	Trigger Pin	33	Magazine Ring, Rear	50	Buttplate Screws
18	Upper Tang Screw				

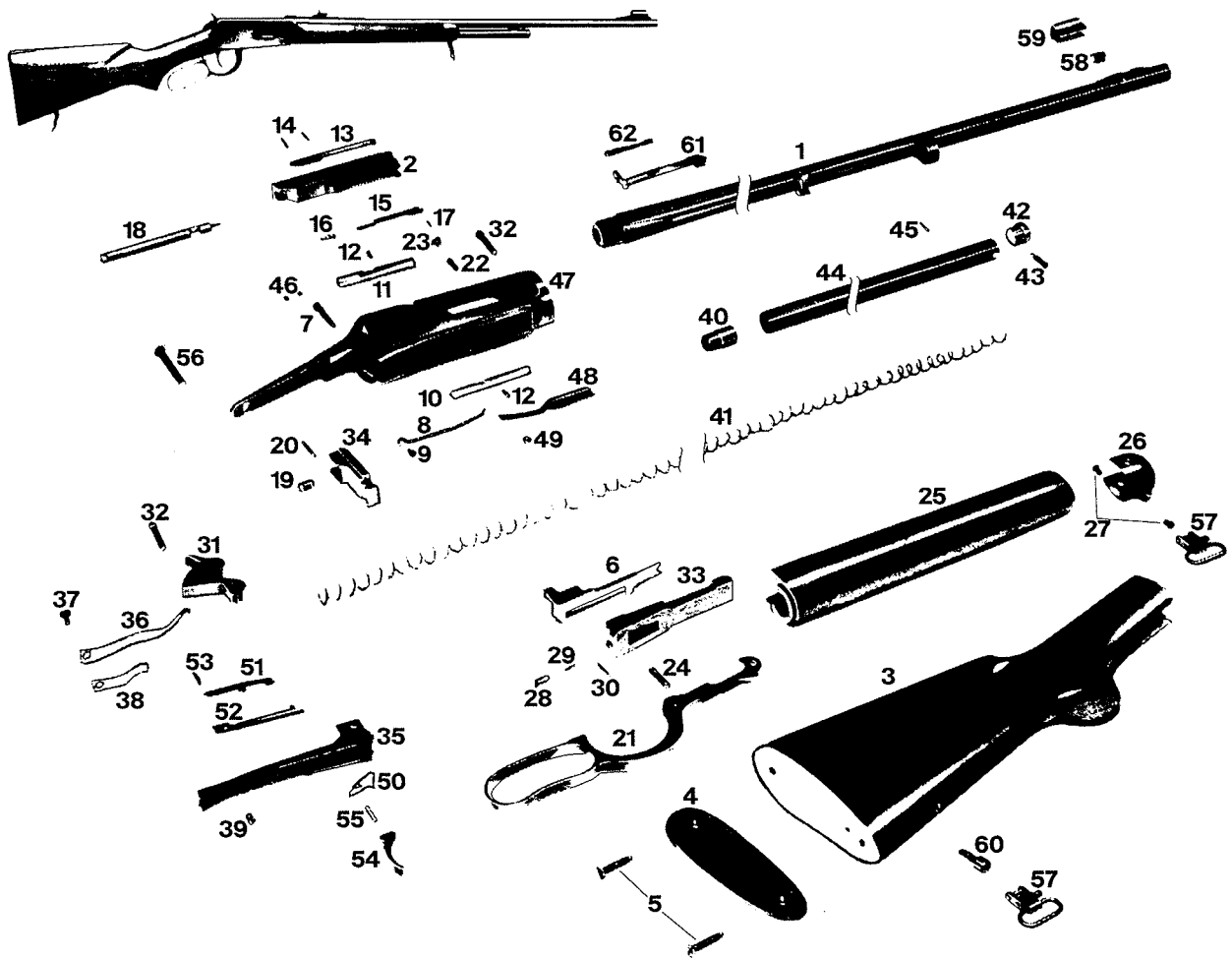
Model 63 Autoloading Rifle

Courtesy of James M. Triggs



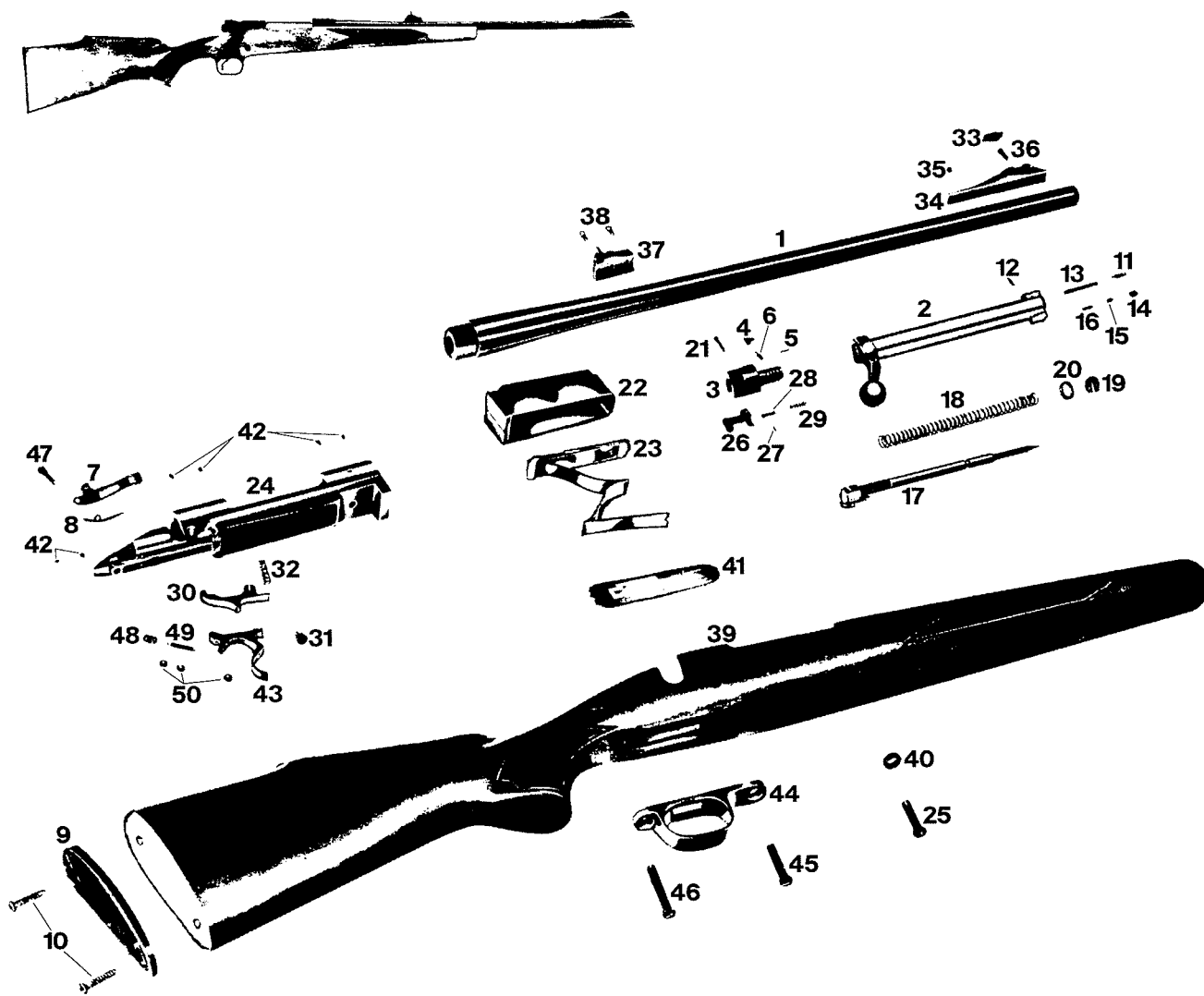
1	Receiver	32	Trigger Lock Plunger
2	Barrel	33	Trigger Lock Plunger Spring
3	Rear Sight	34	Trigger Lock
4	Front Sight	35	Hammer
5	Forearm Tip Tenon	36	Hammer Pin
6	Takedown Screw Bushing	37	Hammer Spring Guide Rod
7	Ejector	38	Slave Pin
8	Ejector Screw	39	Hammer Spring
9	Operating Sleeve	40	Hammer Spring Abutment
10	Operating Sleeve Tip Pin	41	Hammer Spring Guide Rod Pin
11	Operating Sleeve Tip	42	Hammer Spring Abutment Pin
12	Operating Sleeve Spring	43	Trigger
13	Bolt Guide Rod	44	Trigger Pin
14	Forearm Tip	45	Sear
15	Forearm Tip Screws	46	Sear Spring
16	Bolt	47	Buttplate
17	Firing Pin	48	Buttplate Screws
18	Firing Pin Spring	49	Buttstock Nut
19	Firing Pin Stop Pin	50	Buttstock Nut Washer
20	Extractor	51	Magazine Tube, Outer
21	Extractor Plunger	52	Magazine Tube, Inner
22	Extractor Plunger Spring	53	Magazine Plug Pin
23	Extractor Plunger Stop Screw	54	Magazine Spring
24	Bolt Spring	55	Magazine Follower
25	Trigger Housing	56	Magazine Plug
26	Takedown Screw	57	Cartridge Cutoff
27	Takedown Screw Stop Pin	58	Cartridge Cutoff Pin
28	Takedown Screw Lock Plunger	59	Cartridge Cutoff Spring
29	Takedown Screw Lock Plunger Spring	60	Throat Pin
30	Takedown Screw Lock Plunger Stop Pin		
31	Trigger Spring		
		Parts Not Shown	
			Forearm
			Stock

Model 64A Lever-Action Rifle



1	Barrel	22	Finger Lever Pin	43	Magazine Plug Screw
2	Breechbolt	23	Finger Lever Pin Stop Screw	44	Magazine Tube
3	Buttstock	24	Finger Lever Link Pin	45	Magazine Tube Bracket Pin
4	Buttplate	25	Forearm	46	Sight Plug Screws
5	Buttplate Screws	26	Forearm Cap	47	Receiver
6	Carrier	27	Forearm Cap Screws	48	Spring Cover
7	Carrier Screw	28	Friction Stud	49	Spring Cover Screw
8	Carrier Spring	29	Friction Stud Spring	50	Sear
9	Carrier Spring Screw	30	Friction Stud Stop Pin	51	Trigger Stop
10	Cartridge Guide, Right	31	Hammer	52	Trigger Stop Spring
11	Cartridge Guide, Left	32	Hammer Link Screw	53	Trigger Stop Pin
12	Cartridge Guide Screws	33	Link	54	Trigger
13	Extractor	34	Locking Bolt	55	Trigger Pin
14	Extractor Pins	35	Lower Tang	56	Upper Tang Screw
15	Ejector	36	Mainspring	57	Sling Swivels
16	Ejector Spring	37	Mainspring Screw	58	Front Sight
17	Ejector Stop Pin	38	Mainspring Base	59	Front Sight Cover
18	Firing Pin	39	Mainspring Strain Screw	60	Stock Swivel Stud
19	Firing Pin Striker	40	Magazine Follower	61	Rear Sight
20	Firing Pin Striker Pin	41	Magazine Spring	62	Rear Sight Elevator
21	Finger Lever	42	Magazine Plug		

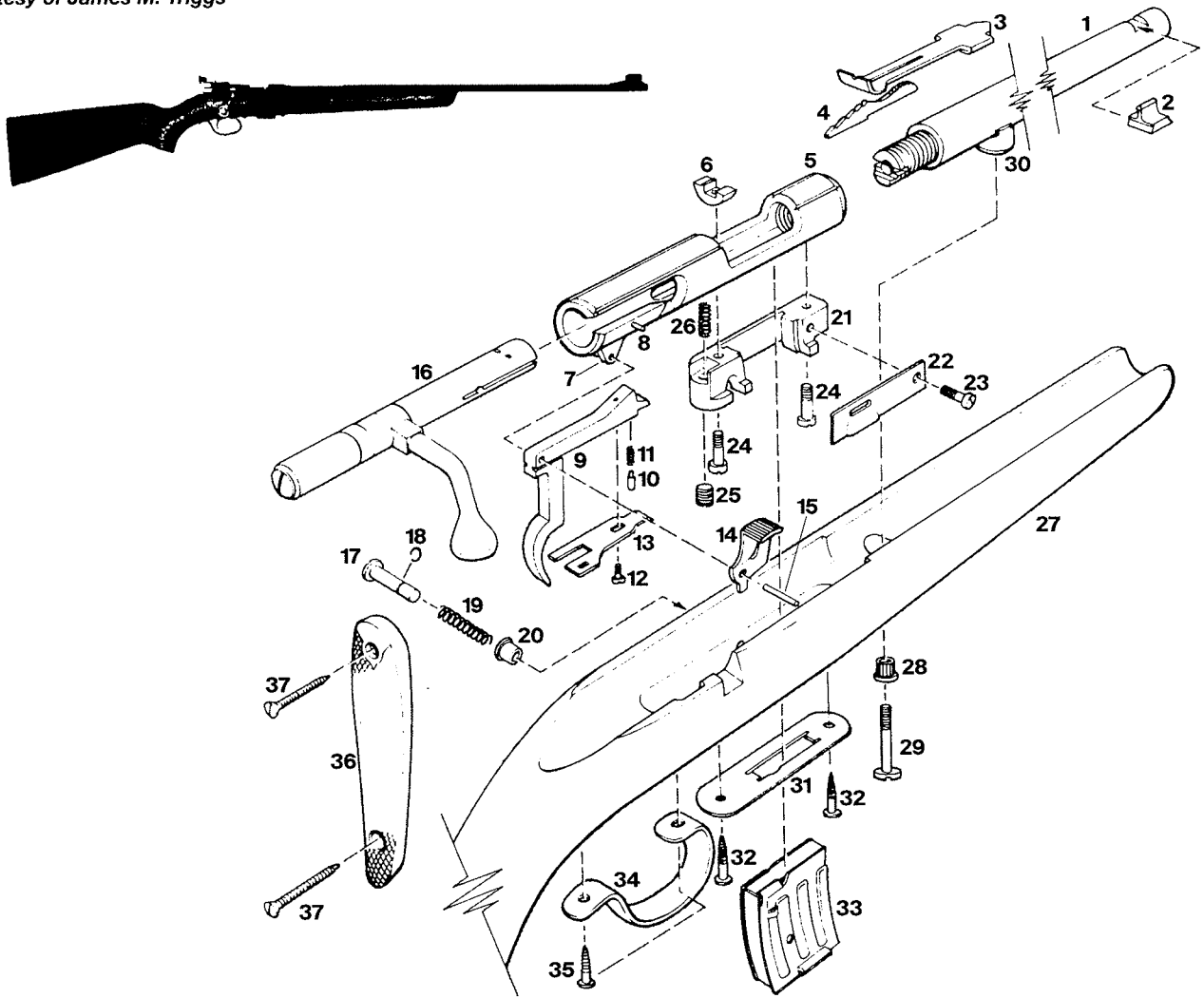
Model 670A Bolt-Action Rifle



1	Barrel	19	Firing Pin Spring Retainer	34	Front Sight Ramp
2	Breechbolt	20	Firing Pin Spring Retainer Washer	35	Front Sight Ramp Screw, Short
3	Breechbolt Sleeve	21	Firing Pin Stop Screw	36	Front Sight Ramp Screw, Long
4	Breechbolt Sleeve Lock	22	Magazine	37	Rear Sight Assembly
5	Breechbolt Sleeve Lock Pin	23	Magazine Follower and Spring Assembly	38	Rear Sight Screws
6	Breechbolt Sleeve Lock Spring	24	Receiver	39	Stock
7	Breechbolt Stop	25	Receiver Screw, Front	40	Stock Escutcheon
8	Breechbolt Stop Spring	26	Safety	41	Magazine Floorplate
9	Buttplate	27	Safety Pin	42	Telescope Sight Base Plug Screws
10	Buttplate Screws	28	Safety Plunger	43	Trigger
11	Ejector	29	Safety Plunger Spring	44	Trigger Guard
12	Ejector Pin	30	Sear	45	Trigger Guard Screw, Front
13	Ejector Spring	31	Sear Pin	46	Trigger Guard Screw, Rear
14	Extractor	32	Sear Spring	47	Trigger Pin
15	Extractor Plunger	33	Front Sight	48	Trigger Spring
16	Extractor Spring			49	Trigger Stop Screw
17	Firing Pin			50	Trigger Stop Screw Nuts
18	Firing Pin Spring				

Model 69A Bolt-Action Rifle

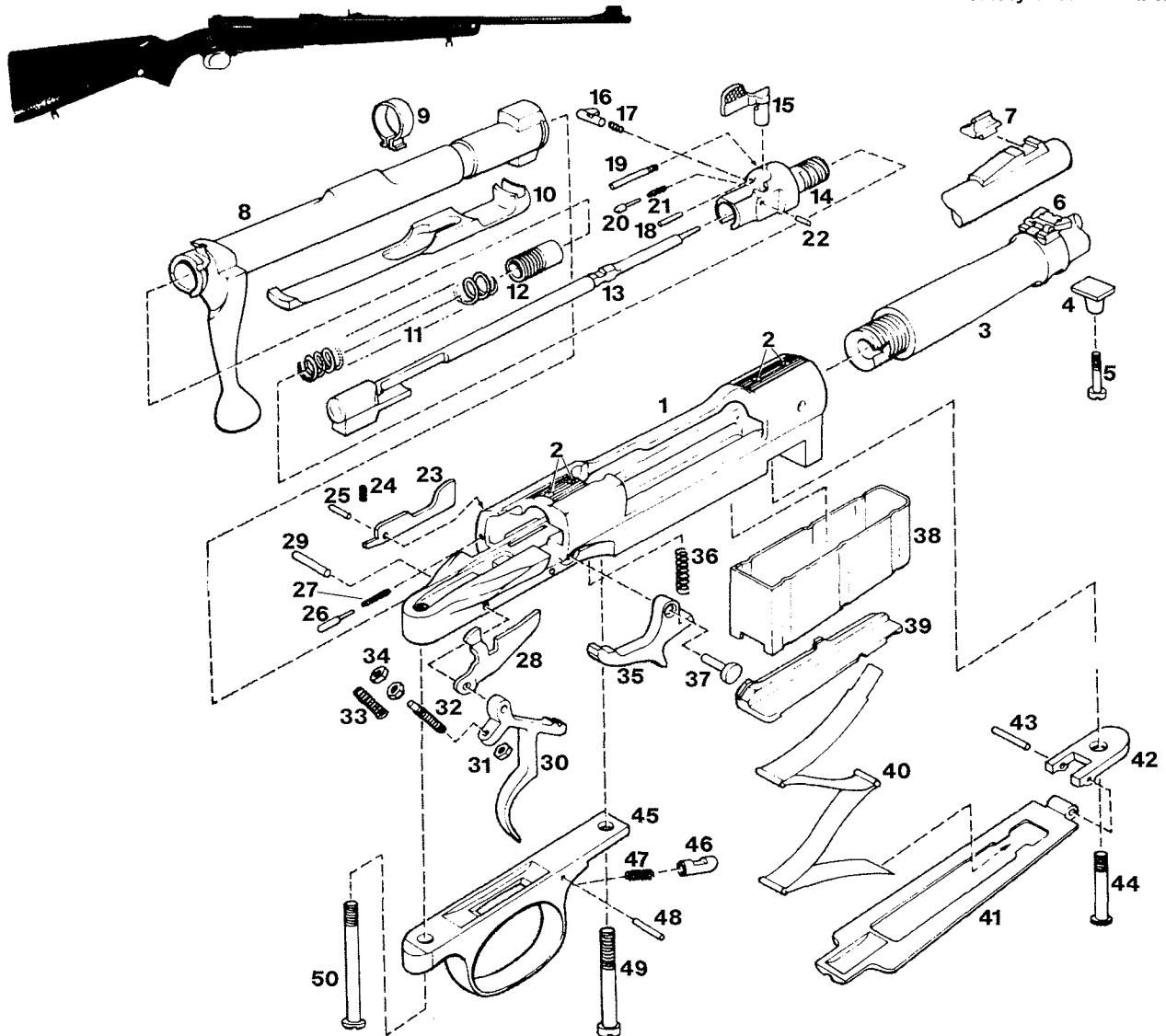
Courtesy of James M. Triggs



1	Barrel	20	Magazine Release Plunger
2	Front Sight		Escutcheon
3	Rear Sight	21	Magazine Holder
4	Rear Sight Elevator	22	Magazine Catch
5	Receiver	23	Magazine Catch Screw
6	Ejector	24	Magazine Holder Screws
7	Trigger Base	25	Trigger Spring Adjusting Screw
8	Safety-Lever Stop Pin	26	Trigger Spring
9	Trigger	27	Buttstock
10	Safety Lock Plunger	28	Stock Stud Screw Escutcheon
11	Safety Lock Plunger Spring	29	Stock Stud Screw
12	Safety Lock Screw	30	Stock Stud
13	Safety Lock	31	Magazine Plate
14	Safety-Lever	32	Magazine Plate Screws
15	Trigger Pin	33	Magazine
16	Breechbolt, Complete	34	Guard Bow
17	Magazine Release Plunger	35	Guard Bow Screws
18	Magazine Release Plunger Stop	36	Buttplate
19	Magazine Release Plunger Spring	37	Buttplate Screws

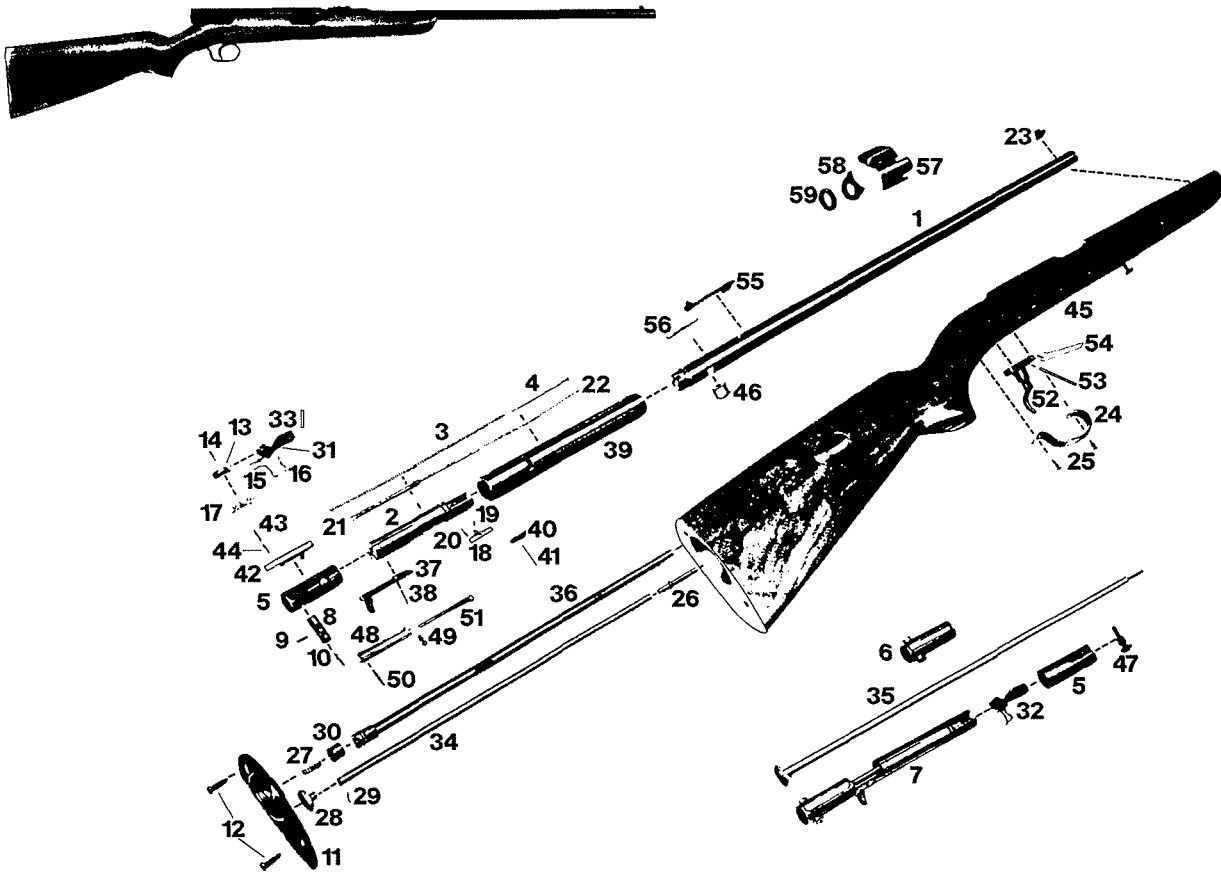
Model 70 and 70 Featherweight Bolt-Action Rifle

Courtesy of James M. Triggs



1	Receiver	20	Safety Lock Plunger	39	Magazine Follower
2	Receiver Plug Screws	21	Safety Lock Plunger Spring	40	Magazine Spring
3	Barrel	22	Safety Lock Stop Pin	41	Magazine Cover
4	Forearm Stud	23	Ejector	42	Magazine Cover Hinge Plate
5	Forearm Stud Screw	24	Ejector Spring	43	Magazine Cover Hinge Pin
6	Rear Sight Assembly	25	Ejector Pin	44	Magazine Cover Hinge Plate
7	Front Sight	26	Bolt Stop Plunger		Screw
8	Breechbolt	27	Bolt Stop Plunger Spring	45	Guard Bow
9	Extractor Ring	28	Bolt Stop	46	Magazine Cover Catch
10	Extractor	29	Trigger Pin	47	Magazine Cover Catch Spring
11	Firing Pin Spring	30	Trigger	48	Magazine Cover Catch Pin
12	Firing Pin Sleeve	31	Trigger Stop Screw Nut	49	Front Guard Bow Screw
13	Firing Pin	32	Trigger Stop Screw	50	Rear Guard Bow Screw
14	Breechbolt Sleeve	33	Trigger Spring		
15	Safety Lock	34	Trigger Spring Adjusting Nuts	Parts Not Shown	
16	Breechbolt Sleeve Lock	35	Sear	Buttplate	
17	Breechbolt Sleeve Lock Spring	36	Sear Spring	Buttplate Screws	
18	Breechbolt Sleeve Lock Pin	37	Sear Pin	Buttstock	
19	Firing Pin Stop Screw	38	Magazine		

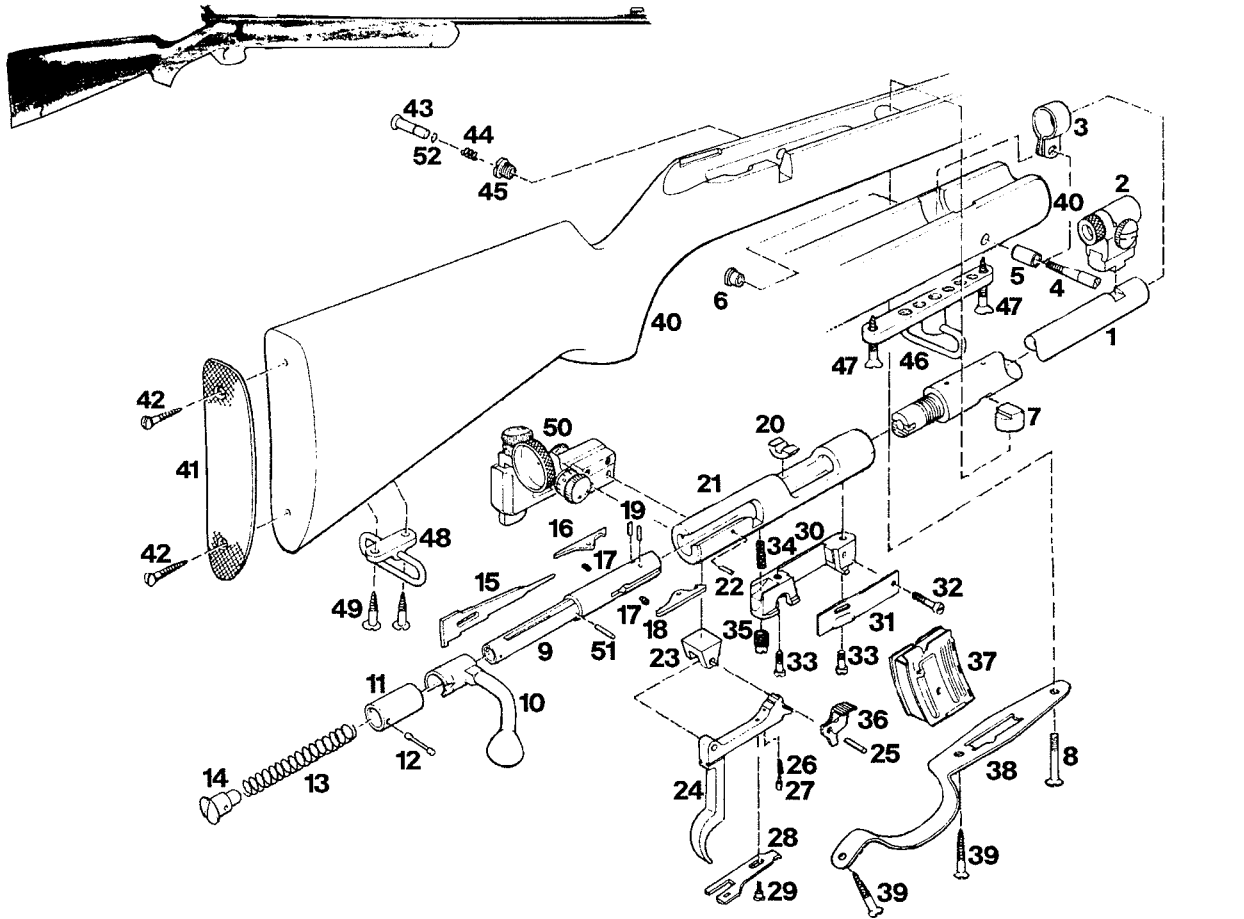
Model 74 Autoloading Rifle



1	Barrel	22	Firing Pin Spring	43	Sear Pin
2	Bolt	23	Front Sight	44	Sear Spring
3	Bolt Spring	24	Trigger Guard Bow	45	Stock
4	Bolt Spring Rod	25	Trigger Guard Bow Screws	46	Stock Stud
5	Bolt Stop	26	Magazine Follower	47	Stock Stud Screw and Escutcheon
6	Bolt Stop Complete	27	Magazine Lifting Spring	48	Timing Rocker
7	Bolt and Bolt Stop Complete	28	Magazine Plug	49	Timing Rocker Guide Screw
8	Bolt Stop Plunger	29	Magazine Plug Pin	50	Timing Rocker Pin
9	Bolt Stop Plunger Pin	30	Magazine Sleeve Nut	51	Timing Rocker Spring
10	Bolt Stop Plunger Spring	31	Magazine Throat	52	Trigger
11	Buttplate	32	Magazine Throat, Complete	53	Trigger Pin
12	Buttplate Screws	33	Magazine Throat Pin	54	Trigger Spring
13	Cartridge Guide	34	Magazine Inside Tube	55	Rear Sight
14	Cartridge Guide Pin	35	Magazine Inside Tube Complete	56	Rear Sight Elevator
15	Cartridge Cutoff, Right	36	Magazine Outside Tube	57	Shell Reflector with Pin
16	Cartridge Cutoff, Left	37	Operating Slide	58	Smoke Eliminator, Front
17	Ejector	38	Operating Slide Pin	59	Smoke Eliminator, Rear
18	Extractor	39	Receiver		
19	Extractor Pin	40	Safety Lock		
20	Extractor Spring	41	Safety Lock Spring		
21	Firing Pin	42	Sear		
				Parts Not Shown	
					Cartridge Cutoff Pins

Model 75 Bolt-Action Rifle

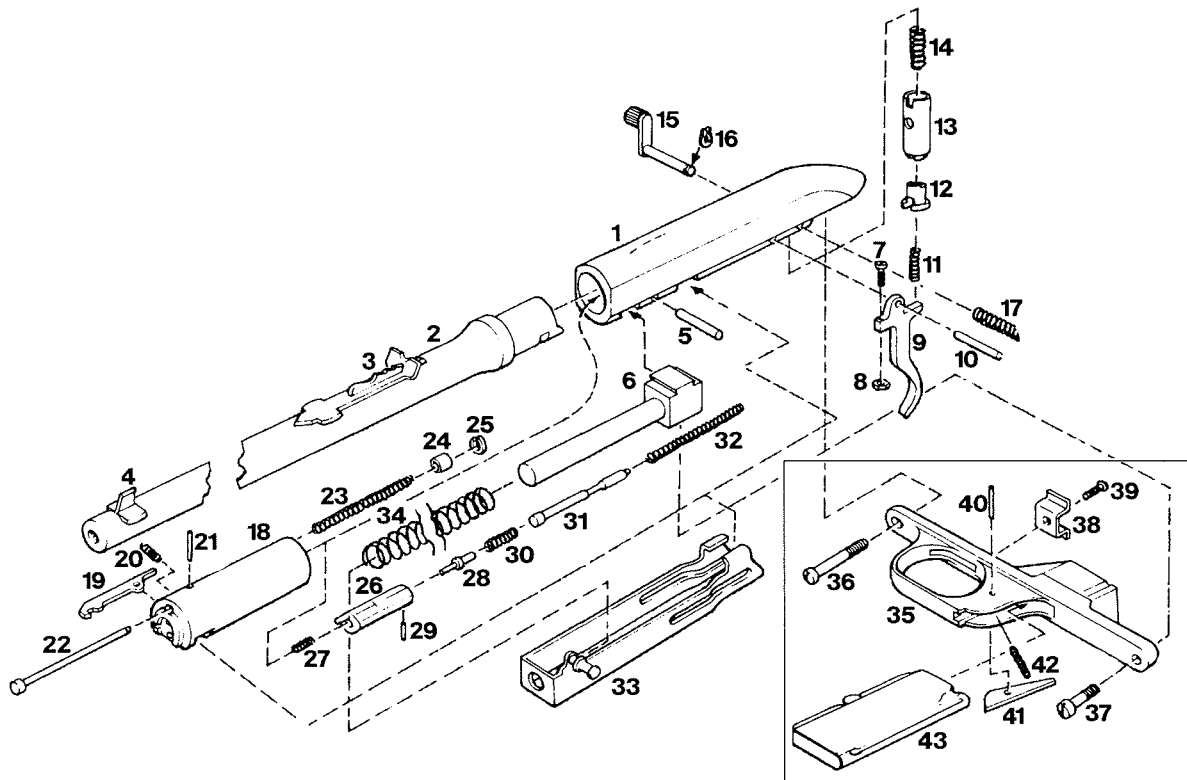
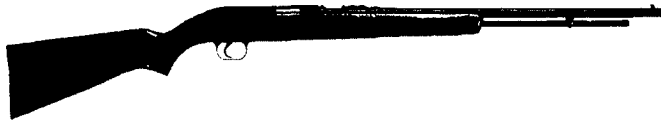
Courtesy of James M. Triggs



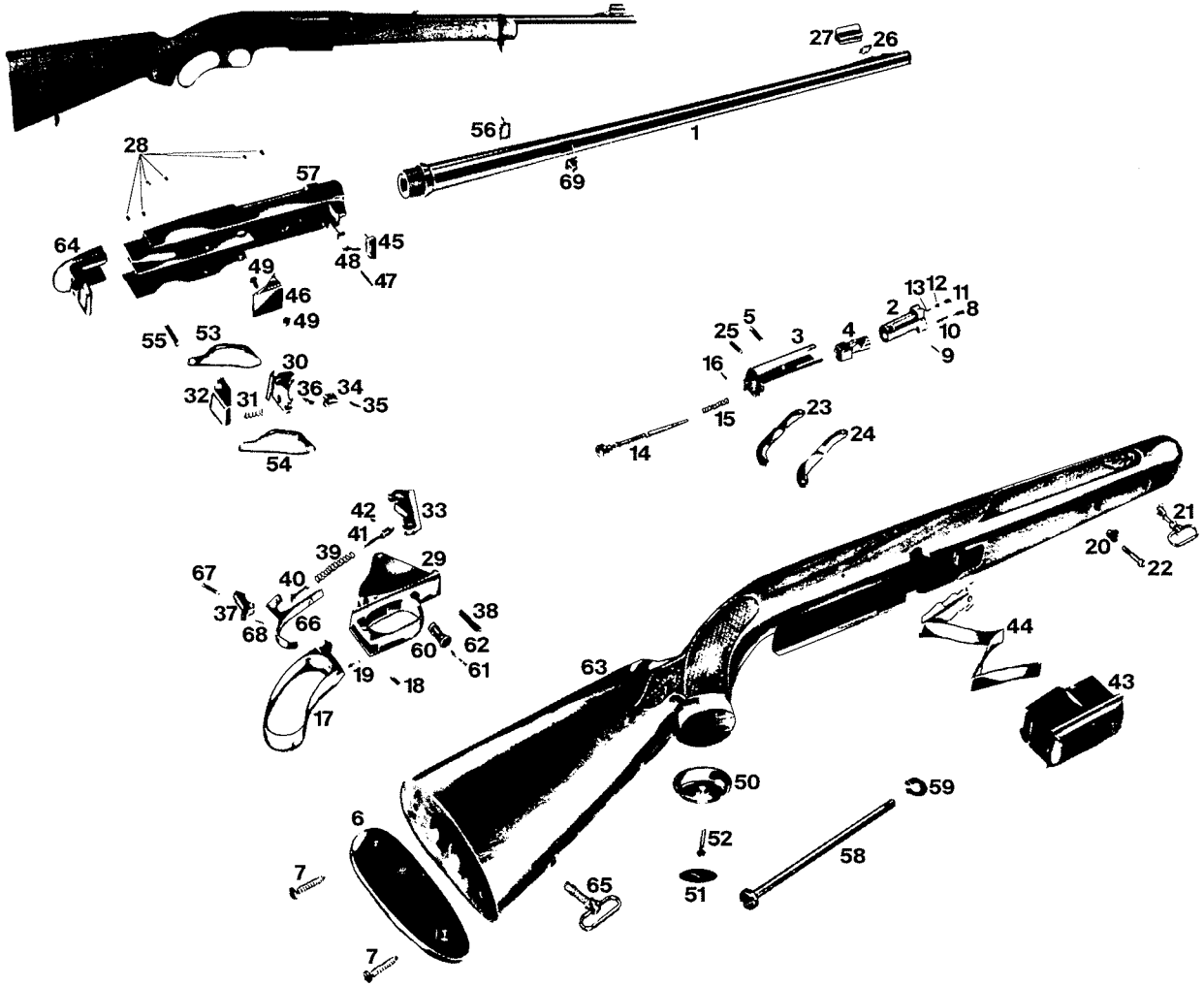
1	Barrel	20	Ejector	40	Buttstock
2	Front Sight Assembly	21	Receiver	41	Buttplate
3	Barrel Band	22	Safety-Lever Stop Pin	42	Buttplate Screws
4	Barrel Band Screw	23	Trigger Base	43	Magazine Release Plunger
5	Barrel Band Screw Bushing	24	Trigger	44	Magazine Release Plunger
6	Barrel Band Screw Escutcheon	25	Trigger Pin	45	Spring
7	Stock Stud	26	Safety Lock Plunger Spring	46	Magazine Release Plunger
8	Stock Stud Screw	27	Safety Lock Plunger	47	Escutcheon
9	Breechbolt	28	Safety Lock	48	Forearm Adjustment Base As-
10	Breechbolt Handle and Cocking	29	Safety Lock Screw	49	sembly
11	Breechbolt Sleeve	30	Magazine Holder	50	Forearm Adjustment Base
12	Breechbolt Sleeve Pin	31	Magazine Catch	51	Screws
13	Firing Pin Spring	32	Magazine Catch Screw	52	Receiver Sight Assembly
14	Breechbolt Plug	33	Magazine Holder Screws		Firing Pin Stop Pin
15	Firing Pin	34	Trigger Spring		Magazine Release Plunger Stop
16	Left Extractor	35	Trigger Spring Adjusting Screw		
17	Extractor Springs	36	Safety-Lever		
18	Right Extractor	37	Magazine Assembly		
19	Extractor Pins	38	Guard Bow		
		39	Guard Bow Screws		

Model 77 Autoloading Rifle

Courtesy of James M. Triggs

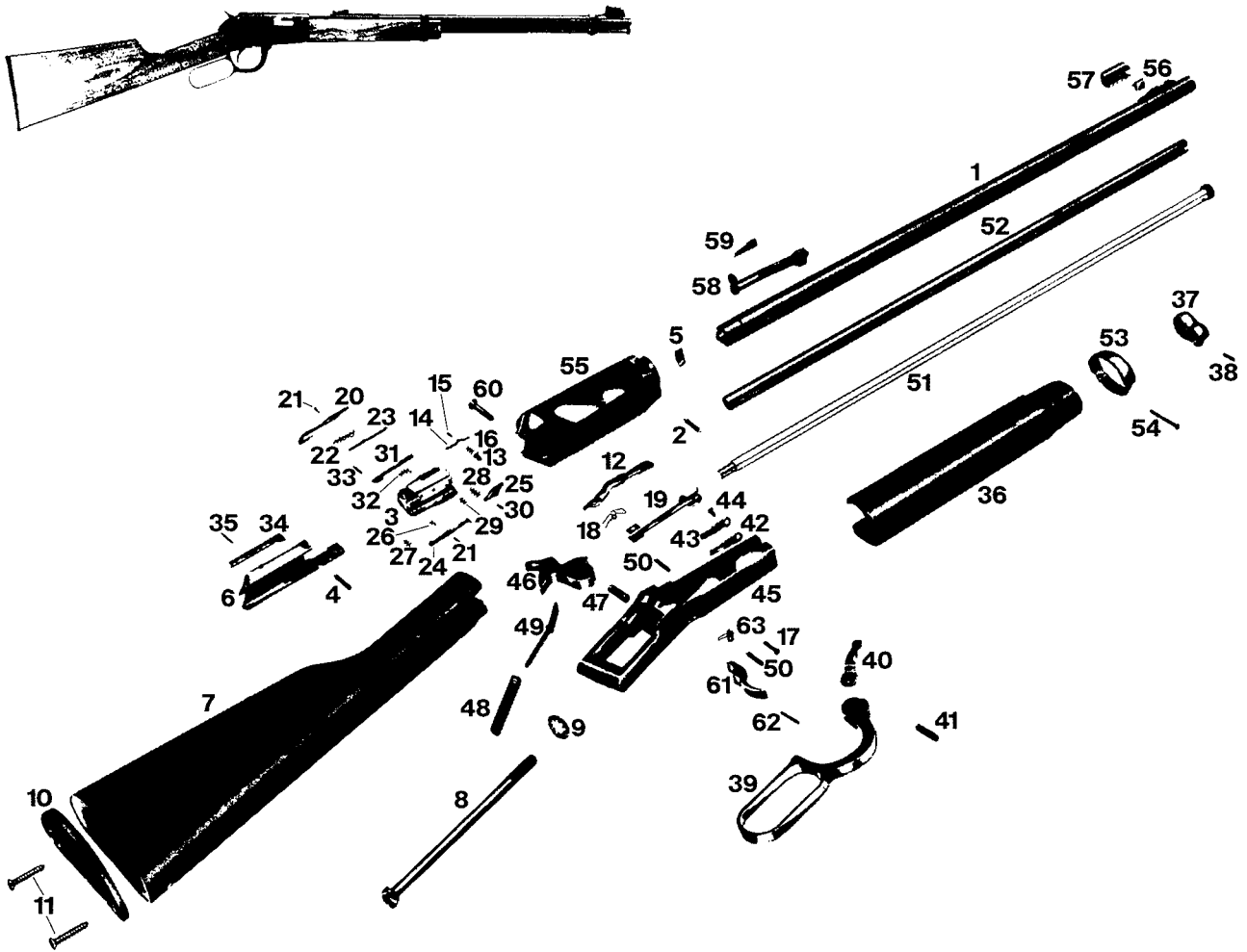


1	Receiver	17	Safety Spring	33	Operating Slide Assembly
2	Barrel	18	Bolt	34	Mainspring
3	Rear Sight	19	Extractor	35	Guard
4	Front Sight	20	Extractor Spring	36	Recoil Block Screw
5	Barrel Locating Pin	21	Extractor Pin	37	Stock Stud Screw
6	Operating Slide Guide Assembly	22	Timing Rod	38	Guard Screw Escutcheon
7	Trigger Stop Screw	23	Timing Rod Spring	39	Guard Screw
8	Trigger Stop Screw Nut	24	Timing Rod Collar	40	Magazine Lock Pin
9	Trigger	25	Timing Rod Retaining Ring	41	Magazine Lock
10	Trigger Pin	26	Firing Pin	42	Magazine Lock Spring
11	Disconnecter Spring	27	Firing Pin Retracting Spring	43	Magazine
12	Disconnecter	28	Ejector		
13	Sear	29	Ejector Spring Pin		
14	Sear Spring	30	Ejector Spring		
15	Safety-Lever	31	Firing Pin Striker		
16	Safety-Lever Retaining Washer	32	Firing Pin Striker Spring		
				Parts Not Shown	
					Buttplate
					Buttplate Screws
					Buttstock

Model 88 Lever-Action Rifle

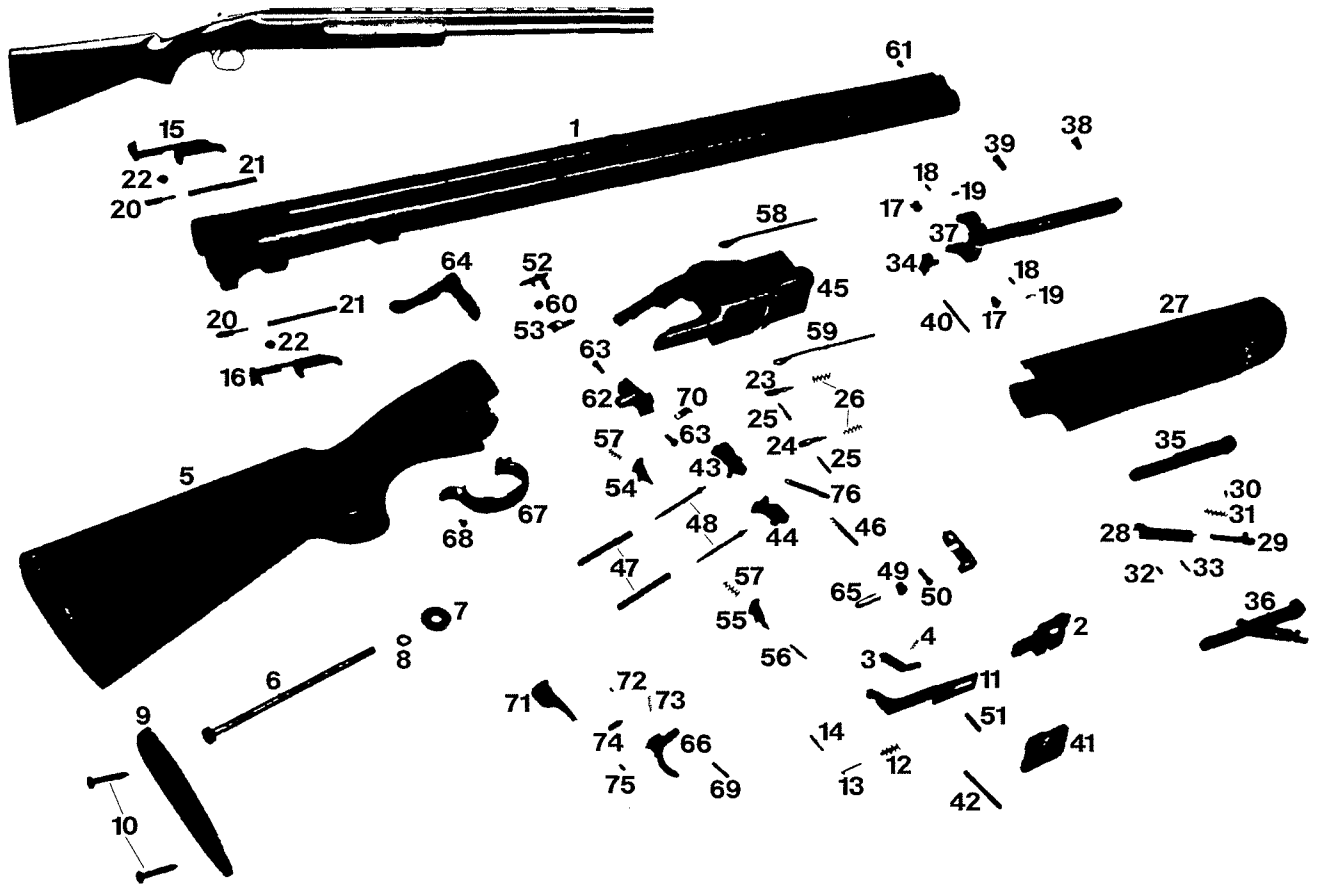
1	Barrel	25	Front Link Pin	46	Magazine Housing
2	Bolt	26	Front Sight	47	Magazine Lock Pin
3	Bolt Sleeve	27	Front Sight Cover	48	Magazine Lock Spring
4	Bolt Sleeve Lock	28	Front and Rear Base Plug Screws	49	Magazine Housing Screws
5	Bolt Sleeve Lock Pin	29	Trigger Guard	50	Pistol Grip Cap
6	Buttplate	30	Trigger Guard Latch	51	Pistol Grip Cap Insert
7	Buttplate Screws	31	Trigger Guard Latch Spring	52	Pistol Grip Cap Screw
8	Ejector	32	Trigger Guard Latch Spring Abutment	53	Rear Link, Left
9	Ejector Pin	33	Hammer	54	Rear Link, Right
10	Ejector Springs	34	Hammer Catch	55	Rear Link Pin
11	Extractor	35	Hammer Catch Pin	56	Rear Sight
12	Extractor Plunger	36	Hammer Catch Spring	57	Receiver
13	Extractor Spring	37	Hammer Lock	58	Recoil Block Screw
14	Firing Pin	38	Hammer Pin	59	Recoil Block Screw Washer
15	Firing Pin Spring	39	Hammer Spring	60	Safety
16	Firing Pin Retaining Pin	40	Hammer Spring Guide	61	Safety Spring
17	Finger Lever	41	Hammer Spring Guide Rod	62	Safety Spring Plunger
18	Finger Lever Pin	42	Hammer Spring Guide Rod Pin	63	Stock
19	Finger Lever Spring	43	Magazine Complete	64	Recoil Block
20	Forend Escutcheon	44	Magazine Follower Assembly	65	Stock Swivel Bow
21	Forend Swivel Complete	45	Magazine Lock	66	Trigger
22	Forend Screw			67	Trigger Pin
23	Front Link, Left			68	Trigger Spring
24	Front Link, Right			69	Forend Stud

Model 9422 Lever-Action Carbine



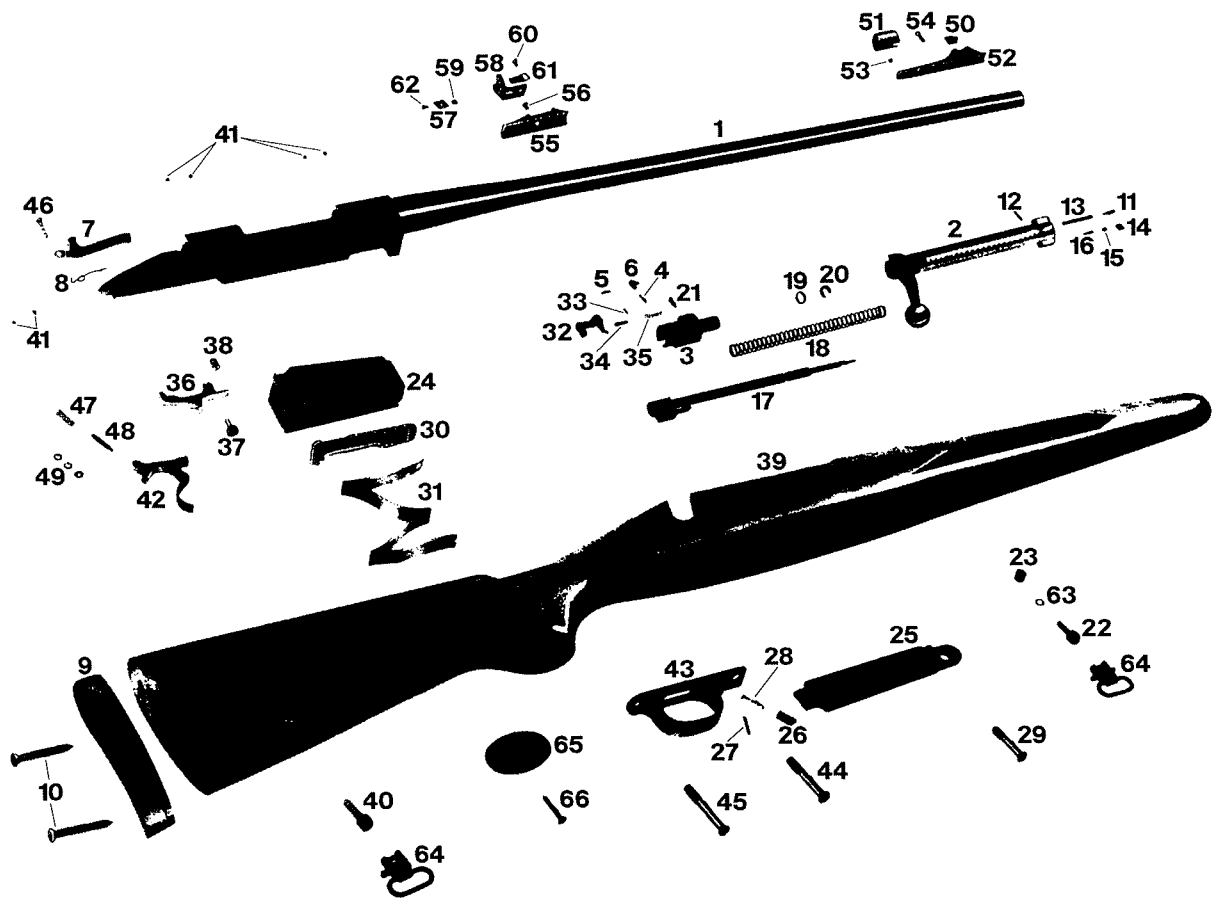
1	Barrel	23	Extractor, Left	44	Finger Lever Spring Screw
2	Barrel Retaining Pin	24	Extractor, Right	45	Frame
3	Breechbolt	25	Extractor, Upper Right	46	Hammer
4	Bolt Cam Pin	26	Extractor Spring, Right	47	Hammer Pivot Bushing
5	Bolt Guide with Pad	27	Extractor Helper Spring, Right	48	Hammer Spring
6	Bolt Slide	28	Extractor Spring, Upper Right	49	Hammer Spring Guide Rod
7	Buttstock	29	Extractor Helper Spring, Upper Right	50	Hammer Stop and Trigger Spring Pins
8	Buttstock Bolt	30	Extractor Pin, Upper Right	51	Magazine Tube Assembly, Inside
9	Buttstock Bolt Washer	31	Firing Pin	52	Magazine Tube, Outside
10	Buttplate	32	Firing Pin Spring	53	Rear Band
11	Buttplate Screws	33	Firing Pin Retainer Pin	54	Rear Band Screw
12	Carrier	34	Firing Pin Striker	55	Receiver
13	Carrier Pawl	35	Firing Pin Striker Retaining Pin	56	Front Sight
14	Carrier Pawl Retainer	36	Forend	57	Front Sight Cover
15	Carrier Pawl Retainer Pin	37	Front Band	58	Rear Sight
16	Carrier Pawl Spring	38	Front Band Screw	59	Rear Sight Elevator
17	Carrier Pin	39	Finger Lever	60	Takedown Screw
18	Carrier Spring	40	Finger Lever Arm	61	Trigger
19	Cartridge Cutoff	41	Finger Lever Pin	62	Trigger Pin
20	Ejector	42	Finger Lever Spring	63	Trigger Spring
21	Ejector and Extractor Pins	43	Finger Lever Spring Plate		
22	Ejector Spring				

Model 96 Over/Under Shotgun



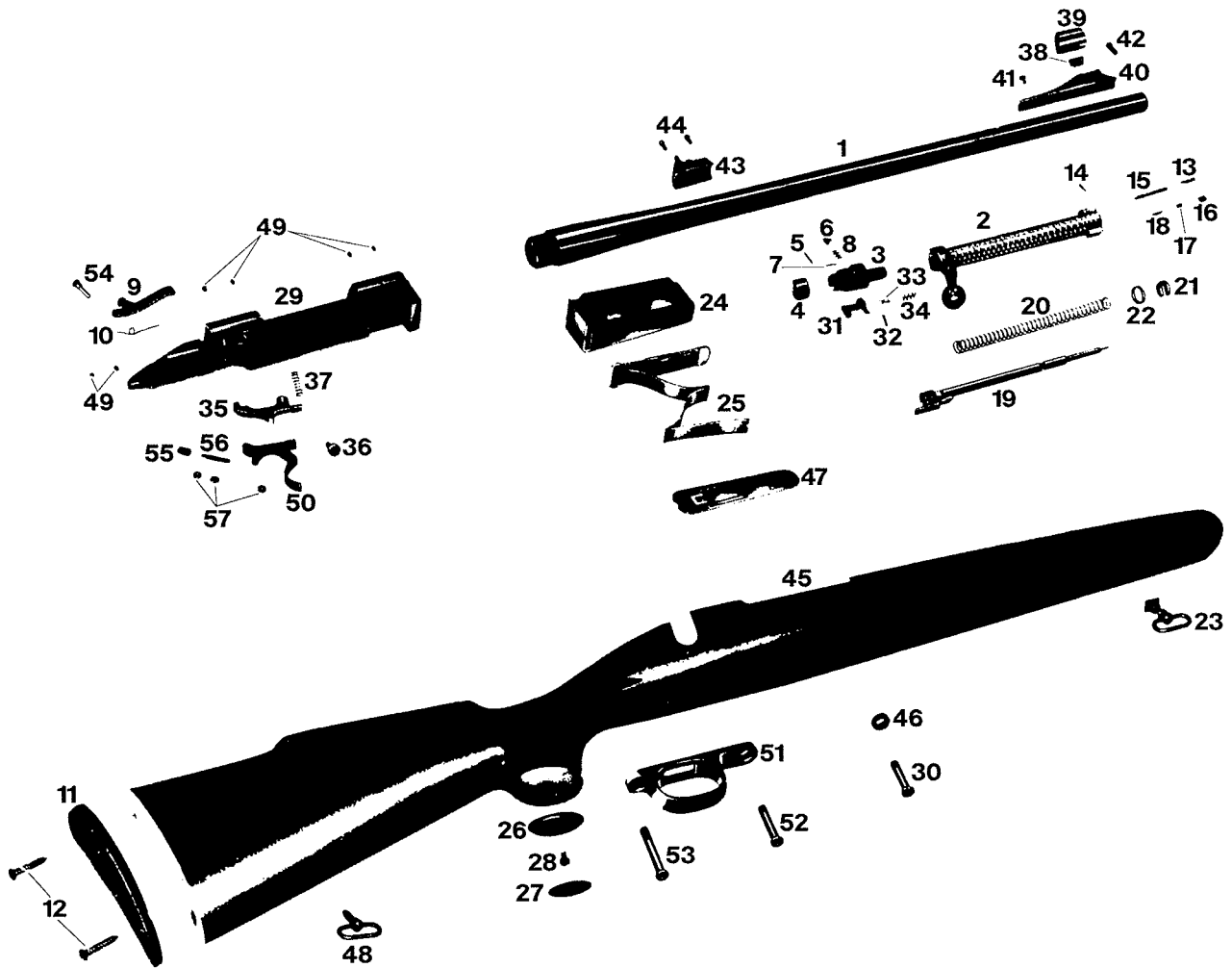
1	Barrels	25	Firing Pin Retaining Pins	50	Locking Pin Screw
2	Barrel Locking Plate	26	Firing Pin Springs	51	Pinion Screw
3	Barrel Locking Plate Latch	27	Forearm	52	Safety Button
4	Barrel Locking Plate Latch Spring	28	Forearm Catch	53	Safety Button Spring
5	Buttstock Assembly	29	Forearm Catch Release	54	Sear, Left
6	Buttstock Bolt	30	Forearm Catch Release Retaining Screw	55	Sear, Right
7	Buttstock Bolt Flat Washer	31	Forearm Catch Spring	56	Sear Pin
8	Buttstock Bolt Lock Washer	32	Forearm Catch Stop Pin	57	Sear Springs
9	Buttplate	33	Forearm Catch Retainer Pin	58	Selective Ejector Rod, Left
10	Buttplate Screws	34	Forearm Hinge Block	59	Selective Ejector Rod, Right
11	Cocking Plate	35	Forearm Plate, Lower	60	Selective Filler Block
12	Cocking Plate Spring	36	Forearm Plate Lower Complete	61	Sight
13	Cocking Plate Spring Guide Rod	37	Forearm Plate, Upper	62	Tang Spacer
14	Cocking Plate Spring Guide Rod Pin	38	Forearm Plate Screw, Front	63	Tang Spacer Screws
15	Ejector, Left	39	Forearm Plate Screw, Rear	64	Top-Lever Set
16	Ejector, Right	40	Forearm Hinge Block Pin	65	Top-Lever Spring
17	Ejector Hammer Catch	41	Frame Plate, Bottom	66	Trigger
18	Ejector Hammer Catch Pins	42	Frame Plate Pin, Bottom	67	Trigger Guard
19	Ejector Hammer Catch Springs	43	Hammer, Left	68	Trigger Guard Screw
20	Ejector Plungers	44	Hammer, Right	69	Trigger Pin
21	Ejector Springs	45	Frame	70	Trigger Recovery Spring
22	Ejector Retainers	46	Hammer Pin	71	Trigger Sear Catch
23	Firing Pin, Upper	47	Hammer Springs	72	Trigger Sear Catch Pin
24	Firing Pin, Lower	48	Hammer Spring Guide Rods	73	Trigger Spring
		49	Locking Pin Catch	74	Trigger Swivel Plunger
				75	Trigger Swivel Plunger Stop Pin
				76	Spacer

New Model 70 Lightweight Bolt-Action Rifle



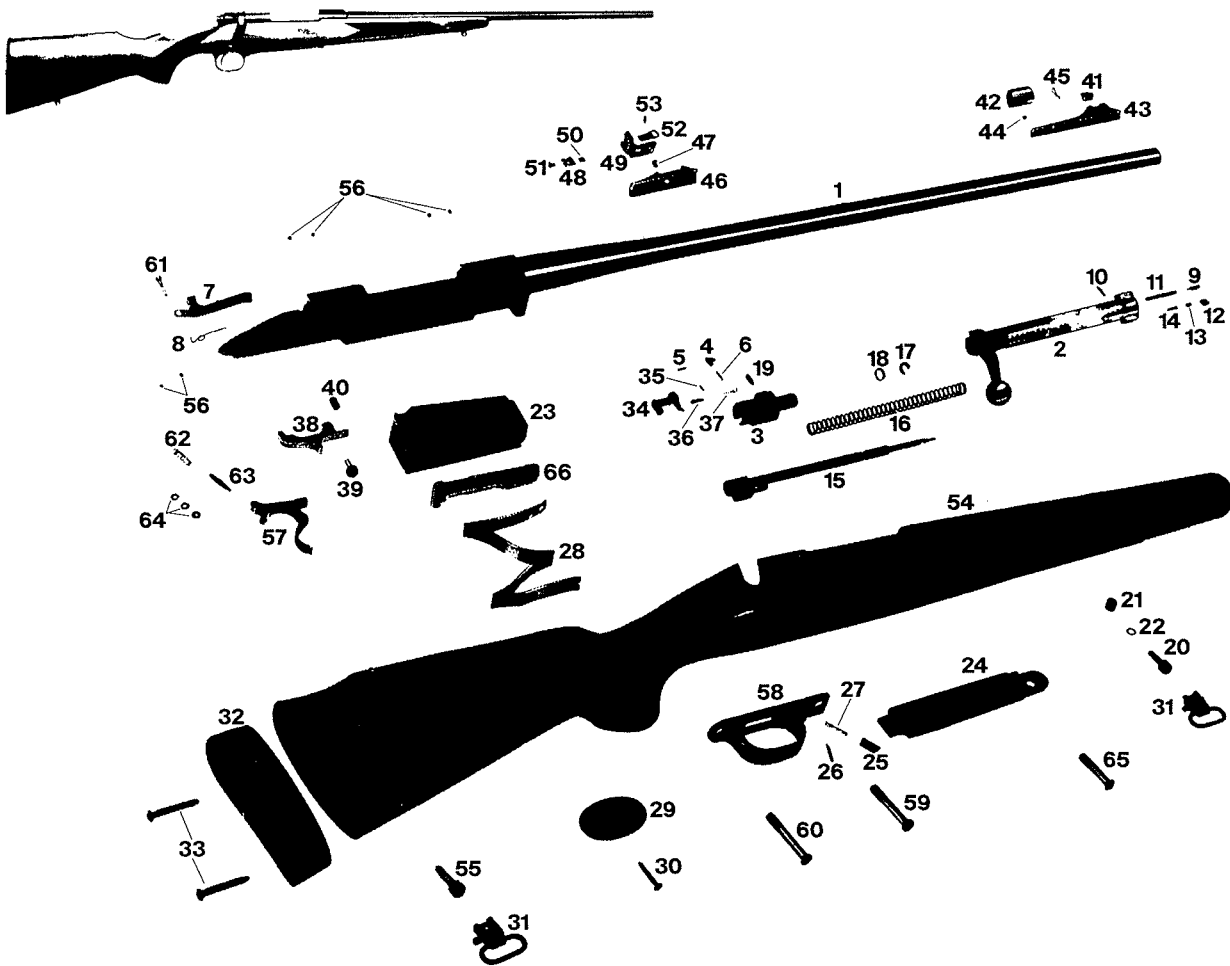
1	Barrel with Receiver Assembly	24	Magazine	45	Trigger Guard Screw, Rear
2	Breechbolt	25	Magazine Cover Complete	46	Trigger Pin
3	Breechbolt Sleeve	26	Magazine Cover Catch	47	Trigger Spring
4	Breechbolt Sleeve Lock	27	Magazine Cover Catch Pin	48	Trigger Stop Screw
5	Breechbolt Sleeve Lock Pin	28	Magazine Cover Catch Spring	49	Trigger Stop Screw Nuts
6	Breechbolt Sleeve Lock Spring	29	Magazine Cover Hinge Plate	50	Front Sight
7	Breechbolt Stop		Screw	51	Front Sight Cover
8	Breechbolt Stop Spring	30	Magazine Follower	52	Front Sight Ramp
9	Buttpad	31	Magazine Spring	53	Front Sight Ramp Screw, Short
10	Buttpad Screws	32	Safety	54	Front Sight Ramp Screw, Long
11	Ejector	33	Safety Pin	55	Rear Sight Base
12	Ejector Pin	34	Safety Plunger	56	Rear Sight Base Screw
13	Ejector Spring	35	Safety Plunger Spring	57	Rear Sight Blade
14	Extractor	36	Sear	58	Rear Sight Blade Holder Assembly
15	Extractor Plunger	37	Sear Pin	59	Rear Sight Blade Nut
16	Extractor Spring	38	Sear Spring	60	Rear Sight Blade Screw
17	Firing Pin	39	Stock Complete	61	Rear Sight Blade Spring
18	Firing Pin Spring	40	Stock Swivel Stud	62	Rear Sight Windage Screw
19	Firing Pin Spring Retainer	41	Telescope Sight Base Plug	63	Washer
20	Firing Pin Spring Retainer Washer	42	Trigger	64	Swivels
21	Firing Pin Stop Screw	43	Trigger Guard	65	Pistol Grip Cap
22	Forearm Screw Eye	44	Trigger Guard Screw, Front	66	Cap Screw
23	Forearm Screw Eye Escutcheon				

New Model 70A and 770 Bolt-Action Rifle



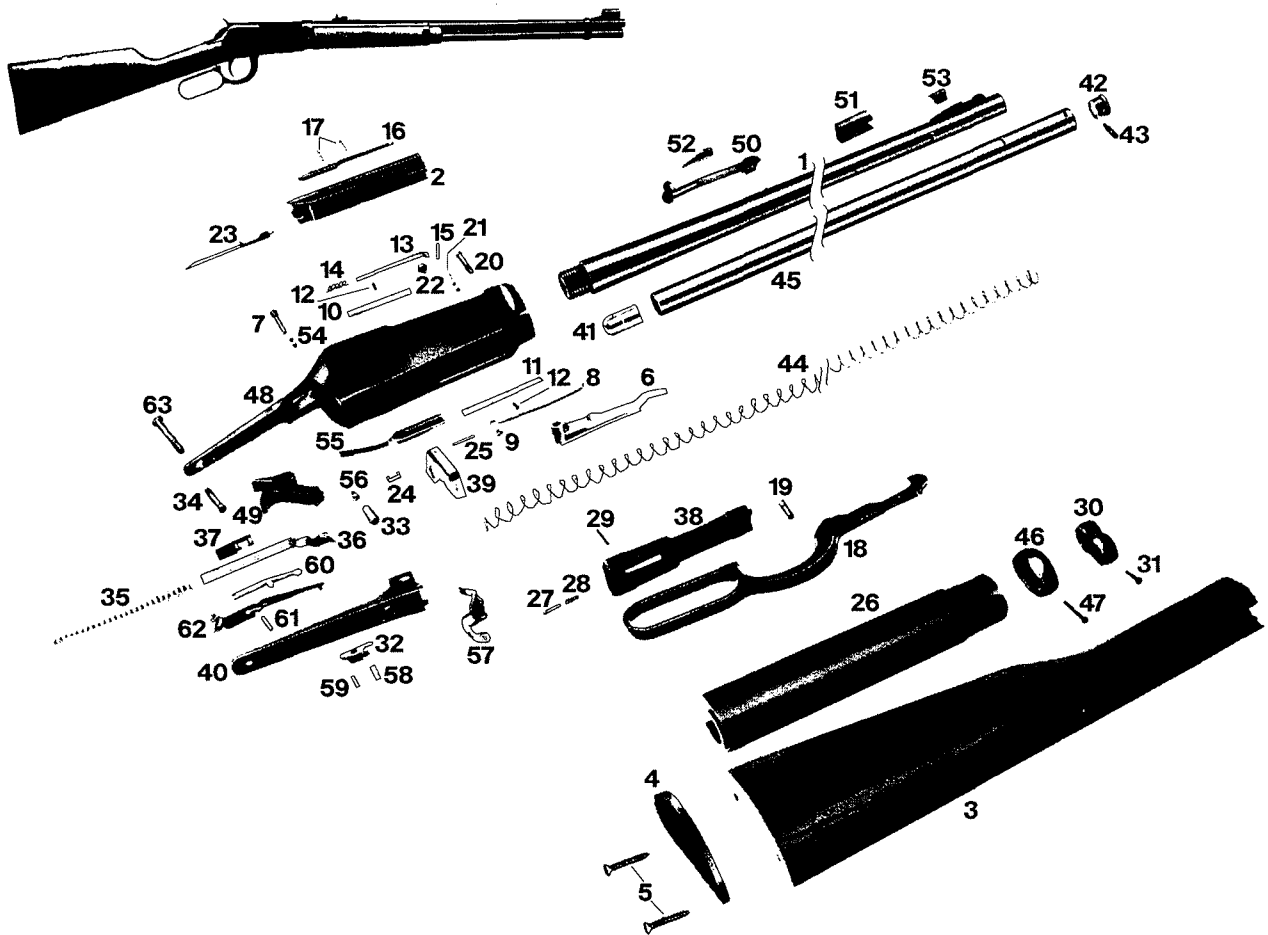
1	Barrel	21	Firing Pin Spring Retainer	39	Front Sight Cover
2	Breechbolt	22	Firing Pin Spring Washer	40	Front Sight Ramp
3	Breechbolt Sleeve	23	Forearm Screw Eye Swivel Complete	41	Front Sight Ramp Screw, Short
4	Breechbolt Sleeve Cap	24	Magazine	42	Front Sight Ramp Screw, Long
5	Breechbolt Sleeve Cap Pin	25	Magazine Follower and Spring Assembly	43	Rear Sight Assembly
6	Breechbolt Sleeve Lock	26	Pistol Grip Cap	44	Rear Sight Screws
7	Breechbolt Sleeve Lock Pin	27	Pistol Grip Cap Insert	45	Stock
8	Breechbolt Sleeve Lock Spring	28	Pistol Grip Cap Screw	46	Stock Escutcheon
9	Breechbolt Stop	29	Receiver	47	Stock Floorplate
10	Breechbolt Stop Spring	30	Receiver Screw, Front	48	Stock Swivel Bow
11	Buttplate	31	Safety	49	Telescope Sight Base Plug
12	Buttplate Screws	32	Safety Pin		Screws
13	Ejector	33	Safety Plunger	50	Trigger
14	Ejector Pin	34	Safety Plunger Spring	51	Trigger Guard
15	Ejector Spring	35	Sear	52	Trigger Guard Screw, Front
16	Extractor	36	Sear Pin	53	Trigger Guard Screw, Rear
17	Extractor Plunger	37	Sear Spring	54	Trigger Pin
18	Extractor Spring	38	Front Sight	55	Trigger Spring
19	Firing Pin			56	Trigger Stop Screw
20	Firing Pin Spring			57	Trigger Stop Screw Nuts

New Model 70 XTR Sporter Bolt-Action Rifle



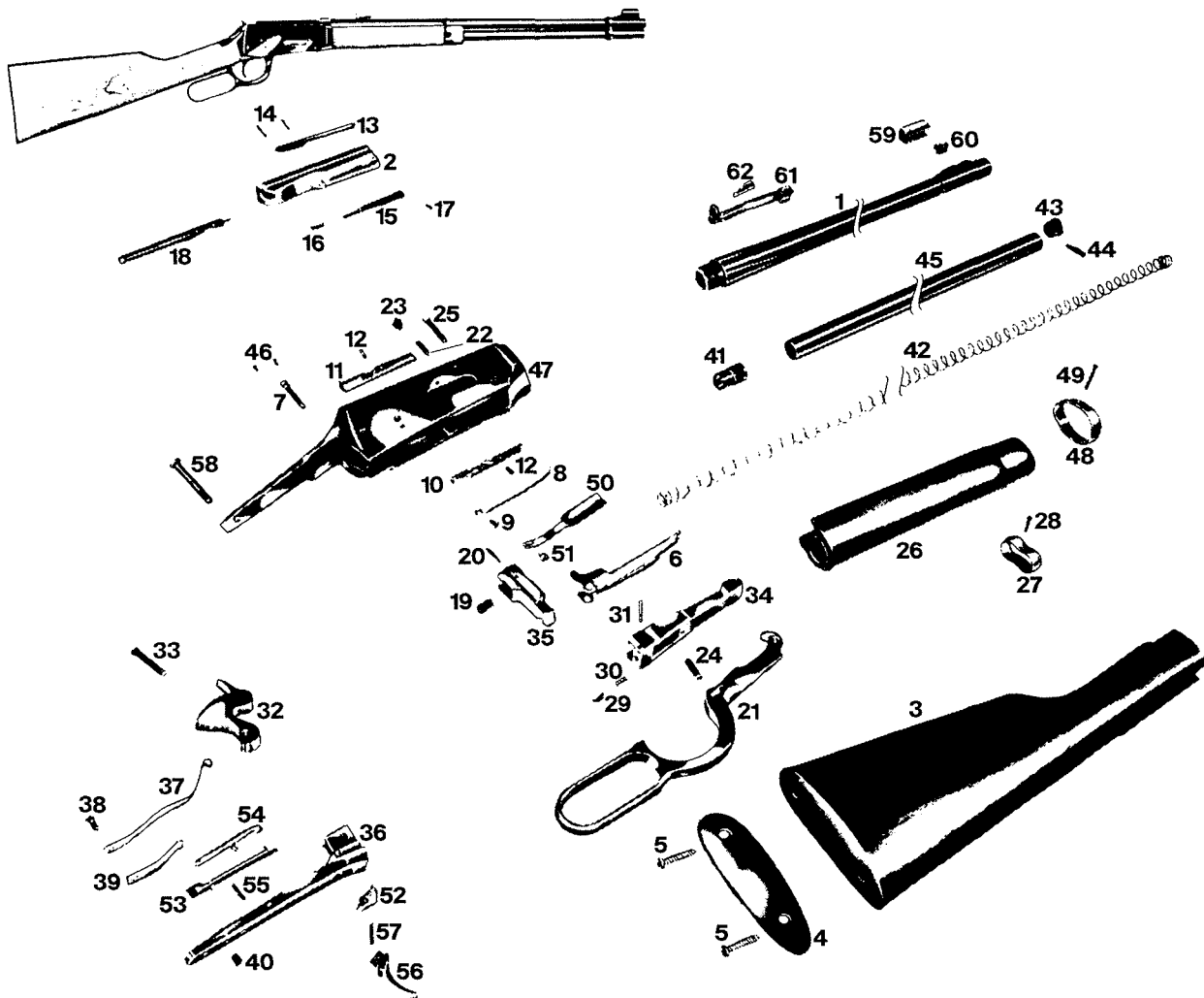
1	Barrel with Receiver Assembly	24	Magazine Cover Complete	47	Rear Sight Base Screw
2	Breechbolt	25	Magazine Cover Catch	48	Rear Sight Blade
3	Breechbolt Sleeve	26	Magazine Cover Catch Pin	49	Rear Sight Blade Holder Assembly
4	Breechbolt Sleeve Lock	27	Magazine Cover Catch Spring	50	Rear Sight Blade Nut
5	Breechbolt Sleeve Lock Pin	28	Magazine Spring	51	Rear Sight Blade Screw
6	Breechbolt Sleeve Lock Spring	29	Pistol Grip Cap	52	Rear Sight Blade Spring
7	Breechbolt Stop	30	Pistol Grip Cap Screw	53	Rear Sight Windage Screw
8	Breechbolt Stop Spring	31	Quick Detachable Swivels	54	Stock Complete
9	Ejector	32	Recoil Pad	55	Stock Swivel Stud
10	Ejector Pin	33	Recoil Pad Screws	56	Telescope Sight Base Plug
11	Ejector Spring	34	Safety	57	Trigger
12	Extractor	35	Safety Pin	58	Trigger Guard
13	Extractor Plunger	36	Safety Plunger	59	Trigger Guard Screw, Front
14	Extractor Spring	37	Safety Plunger Spring	60	Trigger Guard Screw, Rear
15	Firing Pin	38	Sear	61	Trigger Pin
16	Firing Pin Spring	39	Sear Pin	62	Trigger Spring
17	Firing Pin Spring Retainer	40	Sear Spring	63	Trigger Stop Screw
18	Firing Pin Spring Washer	41	Front Sight	64	Trigger Stop Screw Nuts
19	Firing Pin Stop Screw	42	Front Sight Cover	65	Cover Hinge Plate Screw
20	Forearm Screw Eye	43	Front Sight Ramp	66	Magazine Follower
21	Forearm Screw Eye Escutcheon	44	Front Sight Ramp Screw, Short		
22	Forearm Screw Eye Washer	45	Front Sight Ramp Screw, Long		
23	Magazine	46	Rear Sight Base		

New Model 94 Angle Eject Lever-Action Rifle



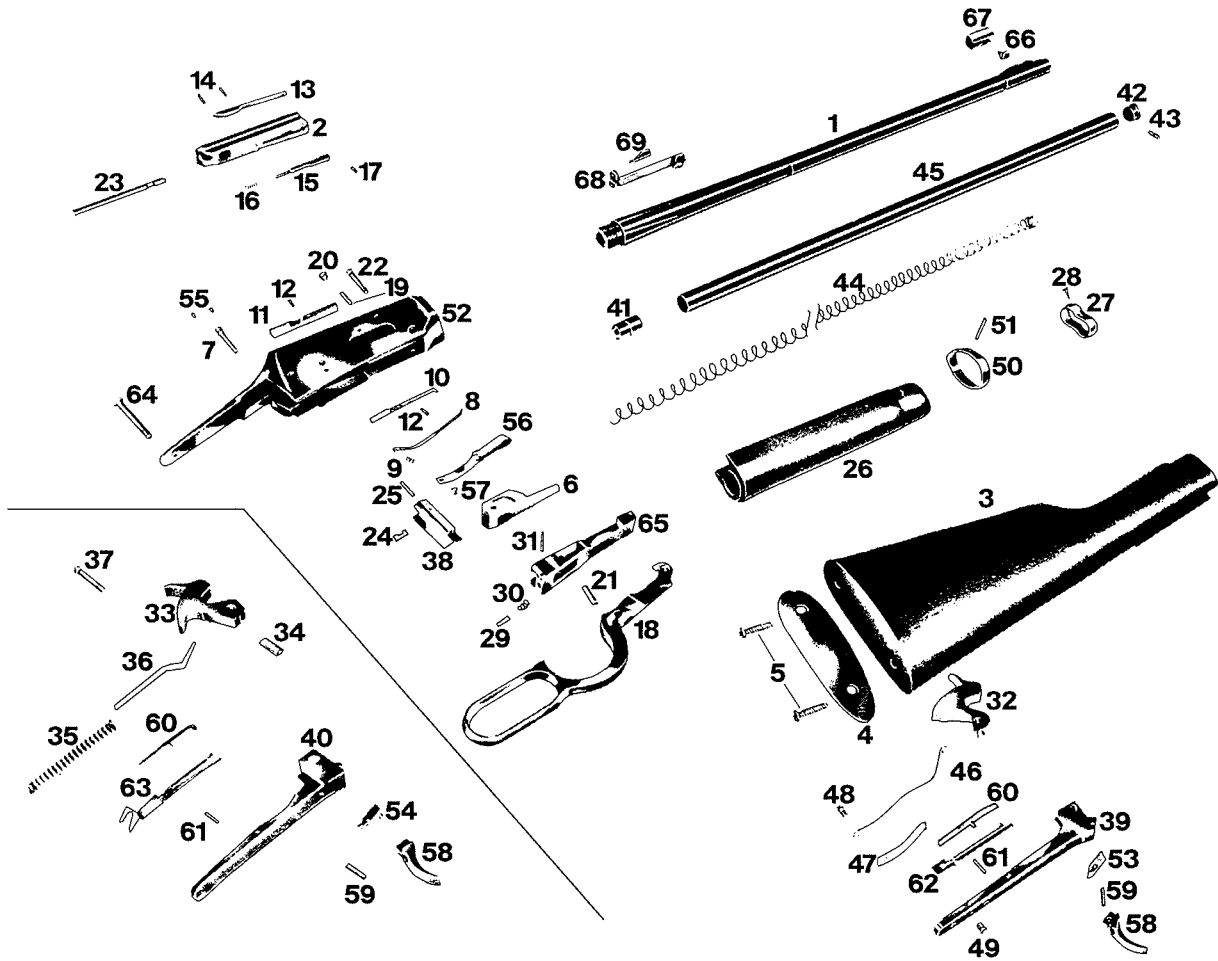
1	Barrel	23	Firing Pin	45	Magazine Tube
2	Breechbolt	24	Firing Pin Striker	46	Rear Band
3	Buttstock Complete	25	Firing Pin Striker Stop Pin	47	Rear Band Screw
4	Buttplate	26	Forearm	48	Receiver
5	Buttplate Screws	27	Friction Stud	49	Sear and Hammer
6	Carrier	28	Friction Stud Spring	50	Rear Sight Assembly
7	Carrier Screw	29	Friction Stud Stop Pin	51	Front Sight Cover
8	Carrier Spring	30	Front Band	52	Rear Sight Elevator
9	Carrier Spring Screw	31	Front Band Screw	53	Front Sight
10	Cartridge Guide, Left	32	Hammer and Sear	54	Telescope Front Sight Plug
11	Cartridge Guide, Right	33	Hammer Bushing		Screws
12	Cartridge Guide Screws	34	Hammer Screw	55	Spring Cover
13	Ejector	35	Hammer Spring	56	Spring Cover Screw
14	Ejector Spring	36	Hammer Spring Guide Rod	57	Trigger with Hammer Block
15	Ejector Stop Pin	37	Hammer Spur Assembly		Assembly
16	Extractor	38	Link Complete	58	Trigger/Sear Pin
17	Extractor Retaining Screws	39	Locking Bolt	59	Trigger Spring
18	Finger Lever	40	Lower Tang	60	Trigger Stop
19	Finger Lever Link Pin	41	Magazine Follower	61	Trigger Stop Pin
20	Finger Lever Link Screw	42	Magazine Plug	62	Trigger Stop Spring
21	Finger Lever Pin	43	Magazine Plug Screw	63	Upper Tang Screw
22	Finger Lever Pin Stop Screw	44	Magazine Spring		

New Model 94 Lever-Action Carbine



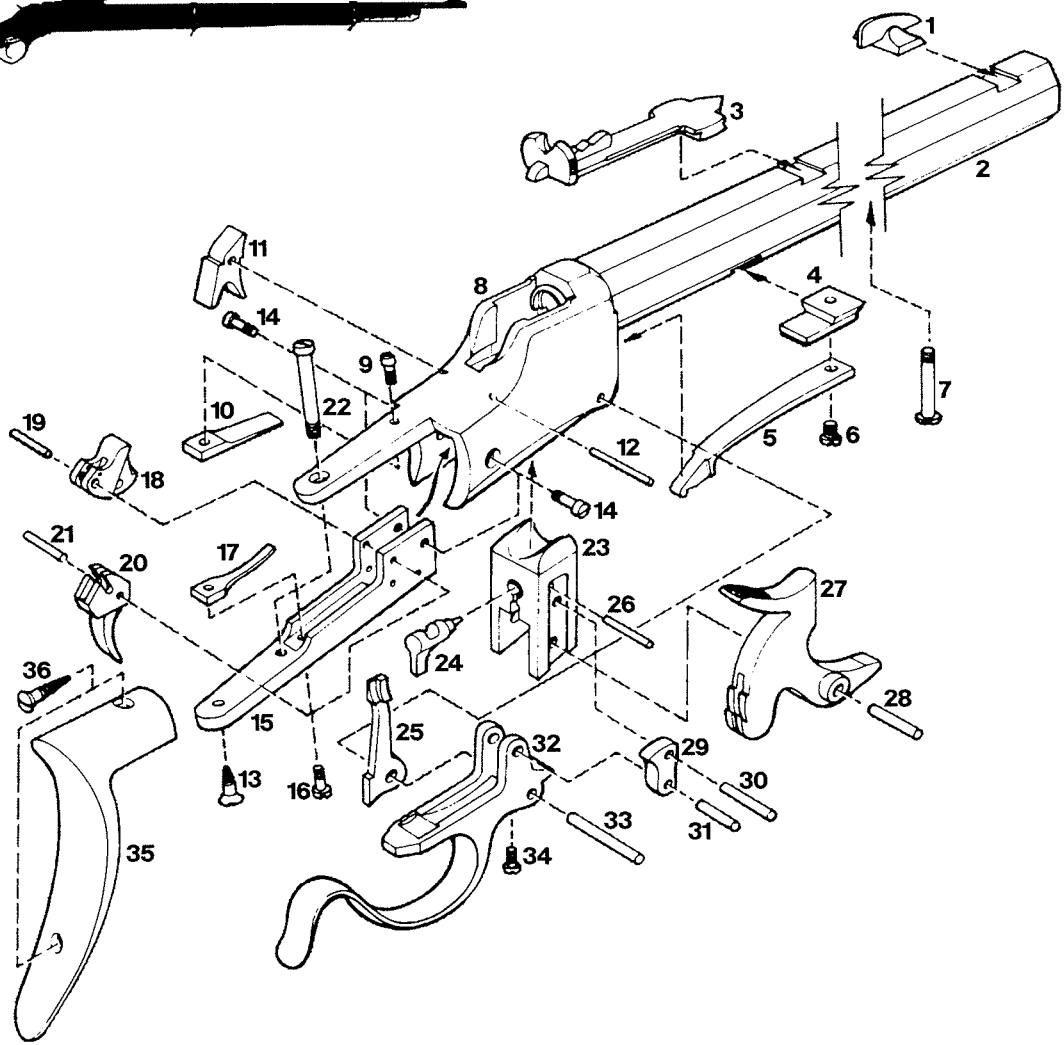
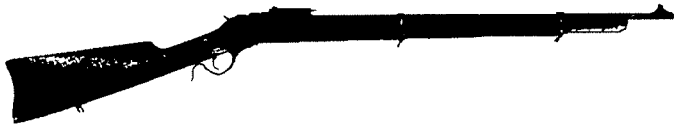
1	Barrel	22	Finger Lever Pin	43	Magazine Plug
2	Breechbolt	23	Finger Lever Pin Stop Screw	44	Magazine Plug Screw
3	Buttstock	24	Finger Lever Link Pin	45	Magazine Tube
4	Buttplate	25	Finger Lever Link Screw	46	Sight Plug Screws
5	Buttplate Screws	26	Forend	47	Receiver
6	Carrier	27	Front Band	48	Rear Band
7	Carrier Screw	28	Front Band Screw	49	Rear Band Screw
8	Carrier Spring	29	Friction Stud	50	Spring Cover
9	Carrier Spring Screw	30	Friction Stud Spring	51	Spring Cover Screw
10	Cartridge Guide, Right	31	Friction Stud Stop Pin	52	Sear
11	Cartridge Guide, Left	32	Hammer	53	Trigger Stop Spring
12	Cartridge Guide Screws	33	Hammer Link Screw	54	Trigger Stop
13	Extractor	34	Link	55	Trigger Stop Pin
14	Extractor Pins	35	Locking Bolt	56	Trigger
15	Ejector	36	Lower Tang	57	Trigger Pin
16	Ejector Spring	37	Mainspring	58	Upper Tang Screw
17	Ejector Stop Pin	38	Mainspring Screw	59	Front Sight Cover
18	Firing Pin	39	Mainspring Base	60	Front Sight
19	Firing Pin Striker	40	Mainspring Strain Screw	61	Rear Sight
20	Firing Pin Striker Pin	41	Magazine Follower	62	Rear Sight Elevator
21	Finger Lever	42	Magazine Spring		

New Model 94 Top-Eject Lever-Action Rifle



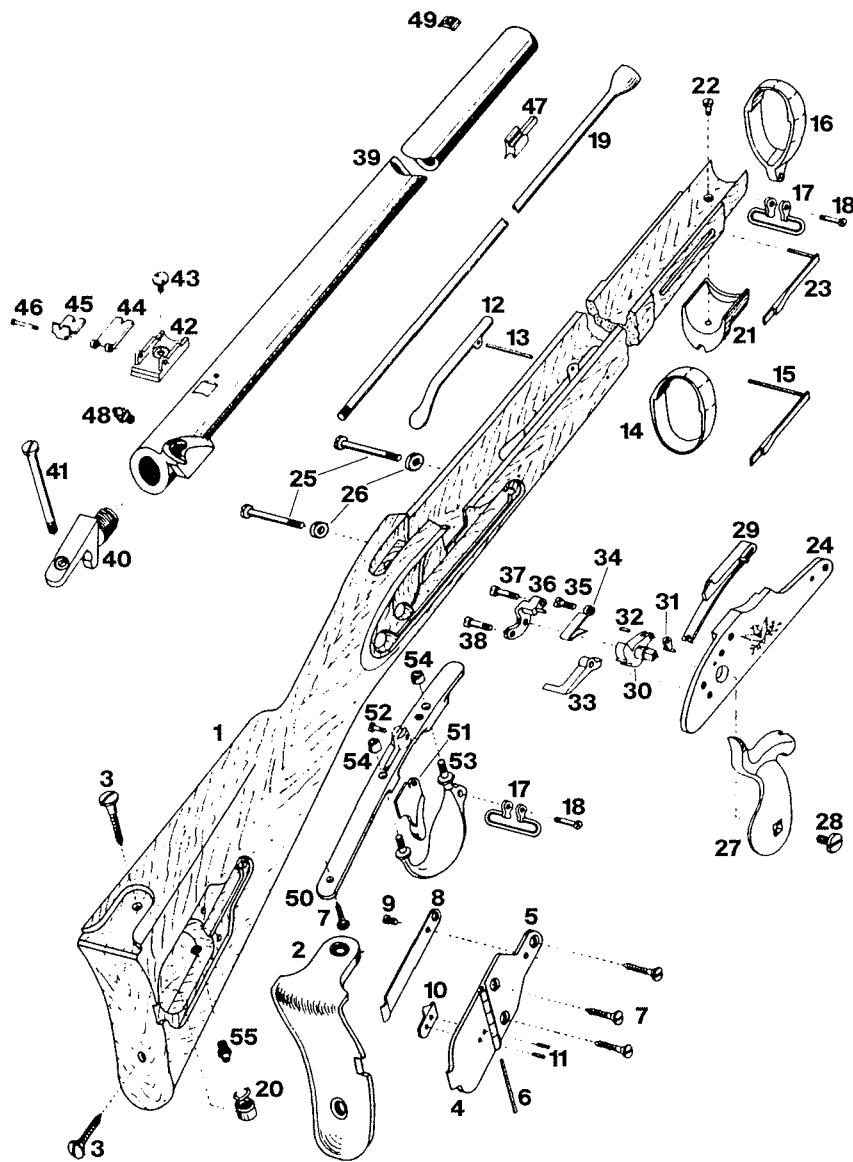
1	Barrel	24	Firing Pin Striker	47	Mainspring Base
2	Breechbolt	25	Firing Pin Striker Stop Pin	48	Mainspring Screw
3	Buttstock	26	Forearm	49	Mainspring Strain Screw
4	Buttplate	27	Front Band	50	Rear Band
5	Buttplate Screws	28	Front Band Screw	51	Rear Band Screw
6	Carrier	29	Friction Stud	52	Receiver
7	Carrier Screw	30	Friction Stud Spring	53	Sear
8	Carrier Spring	31	Friction Stud Stop Pin	54	Sear
9	Carrier Spring Screw	32	Hammer	55	Sight Plug Screws
10	Cartridge Guide, Right	33	Hammer	56	Spring Cover
11	Cartridge Guide, Left	34	Hammer Bushing	57	Spring Cover Screw
12	Cartridge Guide Screws	35	Hammer Spring	58	Trigger
13	Extractor	36	Hammer Spring Guide Rod	59	Trigger/Sear Pin
14	Extractor Pins	37	Hammer Screw	60	Trigger Stop
15	Ejector	38	Locking Bolt	61	Trigger Stop Pin
16	Ejector Spring	39	Lower Tang	62	Trigger Stop Spring
17	Ejector Stop Pin	40	Lower Tang	63	Trigger Stop Spring
18	Finger Lever	41	Magazine Follower	64	Upper Tang Screw
19	Finger Lever Pin	42	Magazine Plug	65	Link Complete
20	Finger Lever Pin Stop Screw	43	Magazine Plug Screw	66	Front Sight
21	Finger Lever Link Pin	44	Magazine Spring	67	Front Sight Cover
22	Finger Lever Link Screw	45	Magazine Tube	68	Rear Sight
23	Firing Pin	46	Mainspring	69	Rear Sight Elevator

Single Shot Rifle



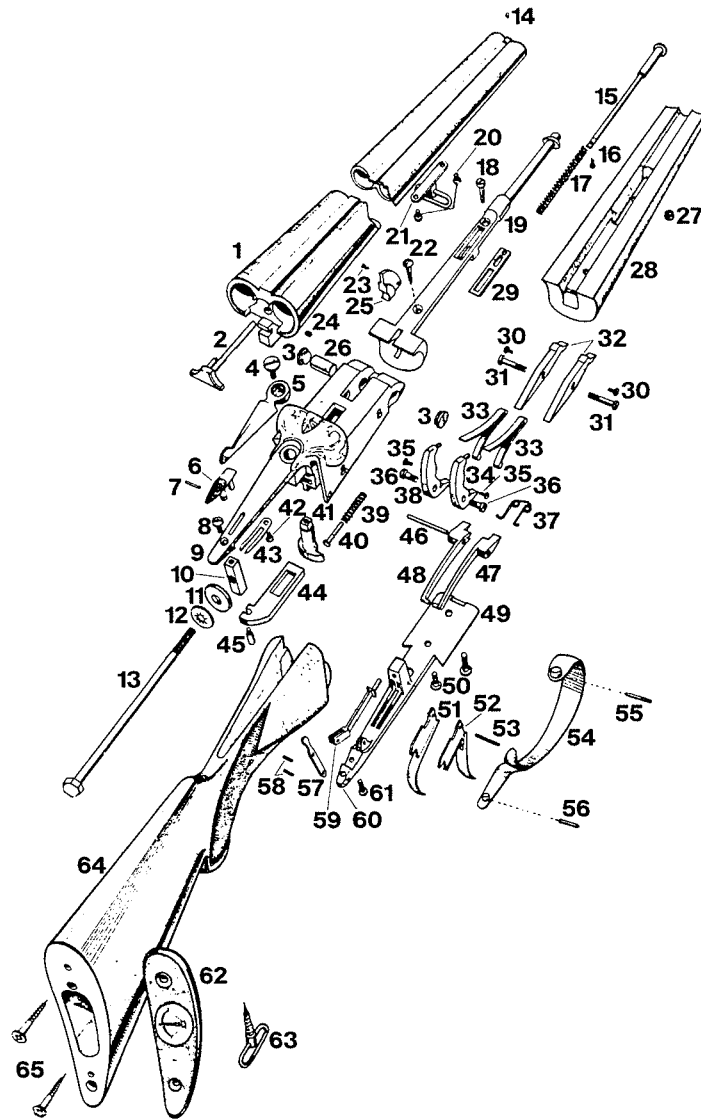
1	Front Sight	21	Trigger Pin
2	Barrel	22	Upper Tang Screw
3	Rear Sight	23	Breechblock
4	Mainspring Base	24	Firing Pin
5	Mainspring	25	Extractor
6	Mainspring Screw	26	Firing Pin Stop Pin
7	Forearm Screw	27	Hammer
8	Receiver	28	Hammer Pin
9	Sear Spring Screw	29	Link
10	Sear Spring	30	Link Pin, Long
11	Sear	31	Link Pin, Short
12	Sear Pin	32	Finger Lever
13	Lower Tang Screw	33	Finger Lever Pin
14	Side Tang Screws	34	Finger Lever Pin Stop Screw
15	Tang	35	Buttplate
16	Knock-Off Spring Screw	36	Buttplate Screws
17	Knock-Off Spring		
18	Knock-Off		
19	Knock-Off Pin		
20	Trigger		
		Parts Not Shown	
			Buttstock
			Forearm

Rifle



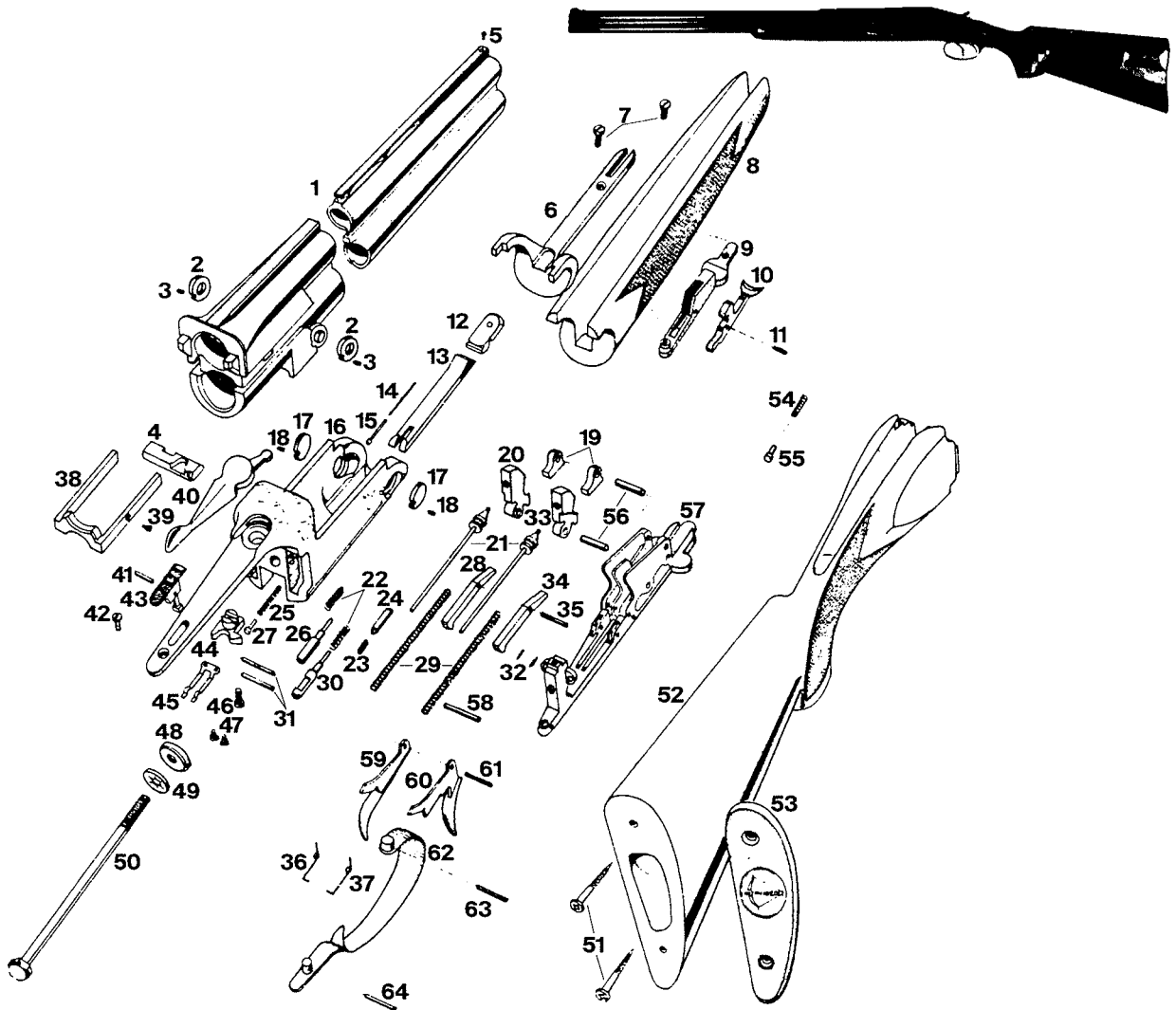
1	Stock	20	Worm	39	Barrel
2	Buttplate	21	Forend Tip	40	Breech Plug
3	Buttplate Screws	22	Forend Tip Screw	41	Breech Plug Screw
4	Patchbox Trap	23	Front Band Spring	42	Rear Sight Base
5	Patchbox Plate	24	Lockplate	43	Rear Sight Retainer Screw
6	Patchbox Hinge Pin	25	Lockplate Screws	44	Rear Sight Elevation Spring
7	Patchbox Cover Screws	26	Stock Bushings	45	Rear Sight Blade
8	Patchbox Spring	27	Hammer	46	Rear Sight Pin
9	Patchbox Spring Screw	28	Hammer Screw	47	Bayonet Stud
10	Patchbox Latch	29	Mainspring	48	Barrel Pin
11	Patchbox Retaining Pins	30	Tumbler	49	Front Sight
12	Ramrod Spoon	31	Bridle	50	Trigger Plate
13	Ramrod Spoon Pin	32	Bridle Pin	51	Trigger
14	Rear Band	33	Sear	52	Trigger Guard Screw
15	Rear Band Spring	34	Sear Spring	53	Trigger Guard
16	Front Band	35	Sear Spring Screw	54	Trigger Guard Nuts
17	Swivels	36	Tumbler Support Plate	55	Extra Nipple
18	Swivel Screws	37	Tumbler Plate Screw		
19	Ramrod	38	Sear Screw		

Ariete M1 Side-By-Side Shotgun



1	Barrels	23	Ejector Lever Screw	45	Locking Bolt Screw
2	Ejector	24	Ejector Retaining Screw	46	Sear Pin
3	Pivot Pin Retainers	25	Ejector Lever	47	Right Sear
4	Top Lever Screw	26	Barrel Pivot Pin	48	Left Sear
5	Top Lever	27	Forend Escutcheon	49	Trigger Plate
6	Safety Button	28	Forend Wood	50	Trigger Plate Screws
7	Safety Button Pin	29	Forend Latch	51	Rear Trigger
8	Top Tang Screw	30	Cocking Lever Pivot Retainer	52	Front Trigger
9	Frame	31	Cocking Lever Pivot	53	Trigger Pin
10	Tang Spacer Block	32	Cocking Levers	54	Trigger Guard
11	Stock Bolt Washer	33	Hammer Springs	55	Trigger Guard Pin, Front
12	Stock Bolt Lockwasher	34	Right Hammer	56	Trigger Guard Pin, Rear
13	Stock Bolt	35	Hammer Lock Screws	57	Safety Connector
14	Front Bead Sight	36	Hammer Screws	58	Safety Connector Pins
15	Forend Release	37	Sear Spring	59	Safety Block
16	Forend Release Spring	38	Left Hammer	60	Trigger Housing
17	Forend Release Spring Pin	39	Top Lever Dog Spring	61	Trigger Plate Screw
18	Forend Iron Screw, Front	40	Top Lever Dog Plunger	62	Buttplate
19	Forend Iron	41	Top Lever Dog	63	Sling Swivel, Rear
20	Sling Swivel Screws	42	Safety Spring Screw	64	Stock
21	Sling Swivel, Front	43	Safety Spring	65	Buttplate Screws
22	Forend Iron Screw, Rear	44	Locking Bolt		

Delfino Over/Under Shotgun



1	Barrels	23	Spring	45	Safety Button Spring
2	Barrel Pivot Rings	24	Plunger	46	Upper Tang Screw
3	Barrel Pivot Lock Screws	25	Top Lever Spring	47	Safety Button Spring Screws
4	Barrel Latch Bar	26	Firing Pin, Upper	48	Stock Bolt Washer
5	Front Bead Sight	27	Top Lever Spring Plunger	49	Stock Bolt Lockwasher
6	Forend Iron	28	Sear, Left	50	Stock Bolt
7	Forend Iron Screws	29	Hammer Springs	51	Buttplate Screws
8	Forend Wood	30	Firing Pin, Lower	52	Buttstock
9	Forend Release Housing	31	Firing Pin Retaining Pins	53	Buttplate
10	Forend Release Lever	32	Trigger Limit Pins	54	Forend Latch Spring
11	Forend Release Lever Pin	33	Hammer, Right	55	Forend Latch Spring Plunger
12	Cocking Slide Head	34	Sear, Right	56	Hammer and Cocking Lever Pivots
13	Cocking Slide	35	Sear Pivot Pin	57	Trigger Plate
14	Cocking Slide Spring	36	Sear Spring, Left	58	Cocking Slide Retaining Pin
15	Cocking Slide Spring Plunger	37	Sear Spring, Right	59	Bottom Trigger
16	Receiver	38	Ejector	60	Top Trigger
17	Pivot Cover Discs	39	Ejector Retaining Screw	61	Trigger Pivot
18	Pivot Cover Discs Screws	40	Top Lever	62	Trigger Guard
19	Cocking Levers	41	Safety Button Pin	63	Trigger Guard Pin, Front
20	Hammer, Left	42	Top Lever Base Screw	64	Trigger Guard Pin, Rear
21	Hammer Spring Guides	43	Safety Button		
22	Firing Pin Springs	44	Top Lever Base		

2005 GUN DIGEST DIRECTORY OF THE ARMS TRADE

The **Product Directory** contains 84 product categories. The **Manufacturer's Directory** alphabetically lists the manufacturers with their addresses, phone numbers, FAX numbers and Internet addresses, if available.

DIRECTORY OF THE ARMS TRADE INDEX

PRODUCT DIRECTORY		986-1022
AMMUNITION COMPONENTS, SHOTSHELL	986	
AMMUNITION COMPONENTS – BULLETS, POWDER, PRIMERS, CASES	986	
AMMUNITION, COMMERCIAL	986	
AMMUNITION, CUSTOM	987	
AMMUNITION, FOREIGN	987	
ANTIQUE ARMS DEALER	987	
APPRAISER - GUNS, ETC.	987	
AUCTIONEER - GUNS, ETC.	988	
BOOKS & MANUALS (PUBLISHERS & DEALERS)	988	
BULLET CASTING, ACCESSORIES	988	
BULLET CASTING, FURNACES & POTS	988	
BULLET CASTING, LEAD	988	
BULLET PULLERS	988	
BULLET TOOLS	988	
BULLET, CASE & DIE LUBRICANTS	988	
CARTRIDGES FOR COLLECTORS	988	
CASE & AMMUNITION PROCESSORS, INSPECTORS, BOXERS	988	
CASE CLEANERS & POLISHING MEDIA	988	
CASE PREPARATION TOOLS	988	
CASE TRIMMERS, TRIM DIES & ACCESSORIES	988	
CASE TUMBLERS, VIBRATORS, MEDIA & ACCESSORIES	989	
CASES, CABINETS, RACKS & SAFES - GUN	989	
CHOKE DEVICES, RECOIL ABSORBERS & RECOIL PADS	989	
CHRONOGRAPHS & PRESSURE TOOLS	989	
CLEANERS & DEGREASERS	989	
CLEANING & REFINISHING SUPPLIES	989	
COMPUTER SOFTWARE - BALLISTICS	989	
CUSTOM GUNSMITH	990	
CUSTOM METALSMITH	991	
DECOYS	991	
DIE ACCESSORIES, METALLIC	991	
DIES, METALLIC	991	
DIES, SHOTSHELL	991	
DIES, SWAGE	991	
ENGRAVER, ENGRAVING TOOLS	991	
GAME CALLS	992	
GAUGES, CALIPERS & MICROMETERS	992	
GUN PARTS, U.S & FOREIGN	992	
GUNS & GUN PARTS, REPLICAS & ANTIQUE	992	
GUNS, AIR	992	
GUNS, FOREIGN MANUFACTURER U.S. IMPORTER	993	
GUNS, FOREIGN - IMPORTER	993	
GUNS, SURPLUS, PARTS & AMMUNITION	994	
GUNS, U.S. MADE	994	
GUNSMITH SCHOOL	994	
GUNSMITH SUPPLIES, TOOLS & SERVICES	994	
HANDGUN ACCESSORIES	995	
HANDGUN GRIPS	995	
HEARING PROTECTORS	995	
HOLSTERS & LEATHER GOODS	996	
HUNTING & CAMP GEAR, CLOTHING, ETC.	996	
KNIVES & KNIFEMAKER'S SUPPLIES	996	
LABELS, BOXES & CARTRIDGE HOLDERS	997	
LEAD WIRES & WIRE CUTTERS	997	
LOAD TESTING & PRODUCT TESTING	997	
LOADING BLOCKS, METALLIC & SHOTSHELL	997	
LUBRICATORS, DIES & ACCESSORIES	997	
MOULDS & MOULD ACCESSORIES	997	
MUZZLE-LOADING GUNS, BARRELS & EQUIPMENT	997	
PISTOLSMITH	997	
POWDER MEASURES, SCALES, FUNNELS & ACCESSORIES	998	
PRESS ACCESSORIES, METALLIC	998	
PRESS ACCESSORIES, SHOTSHELL	998	
PRESSES, ARBOR	998	
PRESSES, METALLIC	998	
PRESSES, SHOTSHELL	998	
PRESSES, SWAGE	998	
PRIMING TOOLS & ACCESSORIES	998	
REBORING & RERIFLING	998	
RELOADING TOOLS AND ACCESSORIES	999	
REST BENCH, PORTABLE AND ACCESSORIES	999	
RIFLE BARREL MAKER	999	
SCOPES, MOUNTS, ACCESSORIES, OPTICAL EQUIPMENT	999	
SHELLHOLDERS	1000	
SHOOTING / TRAINING SCHOOL	1000	
SHOTSHELL MISCELLANY	1000	
SIGHTS, METALLIC	1000	
STOCK MAKER	1000	
STOCKS (COMMERCIAL)	1001	
STUCK CASE REMOVERS	1001	
TARGETS, BULLET & CLAYBIRD TRAPS	1001	
TAXIDERMISTRY	1001	
TRAP & SKEET SHOOTER'S EQUIPMENT	1001	
TRIGGERS, RELATED EQUIPMENT	1001	
MANUFACTURER'S DIRECTORY		1002

PRODUCT & SERVICE DIRECTORY

AMMUNITION COMPONENTS, SHOTSHELL

A.W. Peterson Gun Shop, Inc.
Ballistic Products, Inc.
Blount, Inc., Sporting Equipment Div.
CCI/Speer Div of ATK
Cheddite, France S.A.
Claybuster Wads & Harvester Bullets
Garcia National Gun Traders, Inc.
Guncrafter Industries
Peterson Gun Shop, Inc., A.W.
Precision Reloading, Inc.
Ravell Ltd.
Tar-Hunt Custom Rifles, Inc.
The A.W. Peterson Gun Shop, Inc.
Vit/Boos

AMMUNITION COMPONENTS-- BULLETS, POWDER, PRIMERS, CASES

A.W. Peterson Gun Shop, Inc.
Acadian Ballistic Specialties
Accuracy Unlimited
Accurate Arms Co., Inc.
Action Bullets & Alloy Inc.
ADCO Sales, Inc.
Alaska Bullet Works, Inc.
Alex, Inc.
Alliant Techsystems Smokeless Powder Group
Allred Bullet Co.
Alpha LaFranck Enterprises
American Products, Inc.
Arizona Ammunition, Inc.
Armfield Custom Bullets
A-Square Co.
Atlantic Rose, Inc.
Baer's Hollows
Ballard Rifle & Cartridge Co., LLC
Barnes
Barnes Bullets, Inc.
Beartooth Bullets
Bell Reloading, Inc.
Berger Bullets Ltd.
Berry's Mfg., Inc.
Big Bore Bullets of Alaska
Big Bore Express
Bitterroot Bullet Co.
Black Belt Bullets
(See Big Bore Express)
Black Hills Shooters Supply
Black Powder Products
Blount, Inc., Sporting Equipment Div.
Blue Mountain Bullets
Brenneke GmbH
Briese Bullet Co., Inc.
Brown Co., E. Arthur
Brown Dog Ent.
BRP, Inc. High Performance Cast Bullets
Buck Stix-SOS Products Co.
Buckeye Custom Bullets
Buckskin Bullet Co.
Buffalo Arms Co.
Buffalo Bullet Co., Inc.
Buffalo Rock Shooters Supply
Bull-X, Inc.
Butler Enterprises
Calhoon Mfg.
Cambos Outdoorsman
Canyon Cartridge Corp.
Cascade Bullet Co., Inc.
Cast Performance Bullet Company
Casull Arms Corp.
CCI/Speer Div of ATK
Champion's Choice, Inc.
Cheddite, France S.A.
CheVron Bullets

Chuck's Gun Shop
Clean Shot Technologies
Competitor Corp., Inc.
Cook Engineering Service
Corbin Mfg. & Supply, Inc.
Cummings Bullets
Curtis Cast Bullets
Curtis Gun Shop
(See Curtis Cast Bullets)
Custom Bullets by Hoffman
D.L. Unmussig Bullets
Dakota Arms, Inc.
Davide Pedersoli and Co.
DKT, Inc.
Dohring Bullets
Dutchman's Firearms, Inc.
Eichelberger Bullets, Wm.
Federal Cartridge Co.
FIOCCHI of America, Inc.
Forkin Custom Classics
Fowler Bullets
Fowler, Bob
(See Black Powder Products)
Freedom Arms, Inc.
Garcia National Gun Traders, Inc.
Gehmann, Walter
(See Huntington Die Specialties)
GOEX, Inc.
Golden Bear Bullets
Gotz Bullets
Grayback Wildcats
Green Mountain Rifle Barrel Co., Inc.
Grier's Hard Cast Bullets
GTB-Custom Bullets
Gun City
Harris Enterprises
Harrison Bullets
Hart & Son, Inc.
Hawk Laboratories, Inc.
(See Hawk, Inc.)
Hawk, Inc.
Heidenstrom Bullets
Hercules, Inc. (See Alliant Techsystems, Smokeless)
Hi-Performance Ammunition Company
Hirtenberger AG
Hobson Precision Mfg. Co.
Hodgdon Powder Co.
Hornady Mfg. Co.
HT Bullets
Hunters Supply, Inc.
Huntington Die Specialties
Impact Case & Container, Inc.
Imperial Magnum Corp.
IMR Powder Co.
Intercontinental Distributors, Ltd.
J&D Components
J&L Superior Bullets
(See Huntington Die Special)
J.R. Williams Bullet Co.
Jamison International
Jensen Bullets
Jensen's Firearms Academy
Jericho Tool & Die Co., Inc.
Jester Bullets
JLK Bullets
JRP Custom Bullets
Ka Pu Kapili
Kaswer Custom, Inc.
Keith's Bullets
Keng's Firearms Specialty, Inc./US Tactical Systems
Ken's Kustom Kartridges
Knight Rifles
Knight Rifles
(See Modern Muzzle Loading, Inc.)
Lapua Ltd.
Lawrence Brand Shot
(See Precision Reloading)
Liberty Shooting Supplies
Lightning Performance Innovations, Inc.

Lindsley Arms Cartridge Co.
Littleton, J. F.
Lomont Precision Bullets
Lyman Products Corp.
Magnus Bullets
Maine Custom Bullets
Marchmon Bullets
Markesbery Muzzle Loaders, Inc.
MarMik, Inc.
Marshall Fish Mfg. Gunsmith Sptg. Co.
MAST Technology, Inc.
McMurdo, Lynn
(See Specialty Gunsmithing)
Meister Bullets (See Gander Mountain)
Men-Metallwerk Eisenhuette GmbH
Mercuria Ltd.
Midway Arms, Inc.
Mitchell Bullets, R.F.
MI-TE Bullets
Montana Precision Swaging
Mountain State Muzzleloading Supplies, Inc.
Mulhern, Rick
Murmur Corp.
Nagel's Custom Bullets
National Bullet Co.
Naval Ordnance Works
North American Shooting Systems
North Devon Firearms Services
Northern Precision
Nosler, Inc.
OK Weber, Inc.
Oklahoma Ammunition Co.
Old Wagon Bullets
Old Western Scrounger Ammunition Inc.
Oregon Trail Bullet Company
Pacific Rifle Co.
Page Custom Bullets
Pease Accuracy
Penn Bullets
Peterson Gun Shop, Inc., A.W.
Petro-Explo Inc.
Phillippi Custom Bullets, Justin
Pinetree Bullets
PMC/Eldorado Cartridge Corp.
Polywad, Inc.
Pony Express Reloaders
Power Plus Enterprises, Inc.
Precision Delta Corp.
Prescott Projectile Co.
Price Bullets, Patrick W.
PRL Bullets, c/o Blackburn Enterprises
Professional Hunter Supplies
(See Star Custom Bullets)
Proofmark Corp.
PWM Sales Ltd.
Quality Cartridge
Quarton Beamshot
R.I.S. Co., Inc.
Rainier Bmiscallistics
Ramon B. Gonzalez Guns
Ravell Ltd.
Redwood Bullet Works
Reloading Specialties, Inc.
Remington Arms Co., Inc.
Rhino
Robinson H.V. Bullets
Rubright Bullets
Russ Haydon's Shooters' Supply
SAECO (See Redding Reloading Equipment)
Scharch Mfg., Inc.-Top Brass
Schneider Bullets
Schroeder Bullets
Schumakers Gun Shop
Scot Powder
Seebeck Assoc., R.E.
Shappy Bullets
Sharps Arms Co., Inc., C.
Shilen, Inc.
Sierra Bullets

SOS Products Co.
(See Buck Stix-SOS Products Co.)
Southern Ammunition Co., Inc.
Specialty Gunsmithing
Speer Bullets
Spencer's Rifle Barrels, Inc.
SSK Industries
Stanley Bullets
Star Ammunition, Inc.
Star Custom Bullets
Starke Bullet Company
Starline, Inc.
Stewart's Gunsmithing
Swift Bullet Co.
T.F.C. S.p.A.
Taracorp Industries, Inc.
Tar-Hunt Custom Rifles, Inc.
TCCI
TCSR
The A.W. Peterson Gun Shop, Inc.
The Gun Works
The Ordnance Works
Thompson Bullet Lube Co.
Thompson Precision
TMI Products
(See Haselbauer Products, Jerry)
Traditions Performance Firearms
Trico Plastics
True Flight Bullet Co.
Tucson Mold, Inc.
USAC
Vann Custom Bullets
Vihtavuori Oy/Kaltron-Pettibone
Vincent's Shop
Viper Bullet and Brass Works
Walters Wads
Warren Muzzleloading Co., Inc.
Watson Bullets
Western Nevada West Coast Bullets
Widener's Reloading & Shooting Supply, Inc.
Winchester Div. Olin Corp.
Winkle Bullets
Woodleigh
(See Huntington Die Specialties)
Worthy Products, Inc.
Wyant Bullets
Wyoming Custom Bullets
Zero Ammunition Co., Inc.

AMMUNITION, COMMERCIAL

3-Ten Corp.
A.W. Peterson Gun Shop, Inc.
Ace Custom 45's, Inc.
Ad Hominem
Air Arms
American Ammunition
Arizona Ammunition, Inc.
Arms Corporation of the Philippines
Arundel Arms & Ammunition, Inc., A.
A-Square Co.
Atlantic Rose, Inc.
Badger Shooters Supply, Inc.
Ballistic Products, Inc.
Benjamin/Sheridan Co., Crosman
Big Bear Arms & Sporting Goods, Inc.
Black Hills Ammunition, Inc.
Blammo Ammo
Blount, Inc., Sporting Equipment Div.
Brenneke GmbH
Buffalo Arms Co.
Buffalo Bullet Co., Inc.
Bull-X, Inc.
Cabela's
Cambos Outdoorsman
Casull Arms Corp.
CBC
CCI/Speer Div of ATK
Champion's Choice, Inc.
Cor-Bon Inc./Glaser LLC
Crosman Airguns

Cubic Shot Shell Co., Inc.
Daisy Outdoor Products
Dead Eye's Sport Center
Delta Arms Ltd.
Delta Frangible Ammunition LLC
Dutchman's Firearms, Inc.
Dynamit Nobel-RWS, Inc.
Effebi SNC-Dr. Franco Beretta
Eley Ltd.
Elite Ammunition
Estate Cartridge, Inc.
Federal Cartridge Co.
FIOCCHI of America, Inc.
Garcia National Gun Traders, Inc.
Garrett Cartridges, Inc.
Garthwaite Pistolsmith, Inc., Jim
Gibbs Rifle Co., Inc.
Gil Hebard Guns, Inc.
Glaser LLC
Glaser Safety Slug, Inc.
GOEX, Inc.
Goodwin's Pawn Shop
Gun City
Guncrafter Industries
Hansen & Co.
Hart & Son, Inc.
Hi-Performance Ammunition Company
Hirtenberger AG
Hornady Mfg. Co.
Hunters Supply, Inc.
Intercontinental Distributors, Ltd.
Ion Industries, Inc.
Keng's Firearms Specialty, Inc./US Tactical Systems
Kent Cartridge America, Inc.
Knight Rifles
Lapua Ltd.
Lethal Force Institute
(See Police Bookshelf)
Lock's Philadelphia Gun Exchange
Lomont Precision Bullets
Magnum Research, Inc.
MagSafe Ammo Co.
Mandall Shooting Supplies Inc.
Markell, Inc.
Marshall Fish Mfg. Gunsmith Sptg. Co.
McBros Rifle Co.
Men-Metallwerk Eisenhuette GmbH
Mullins Ammunition
New England Ammunition Co.
Oklahoma Ammunition Co.
Old Western Scrounger Ammunition Inc.
Outdoor Sports Headquarters, Inc.
P.S.M.G. Gun Co.
Paragon Sales & Services, Inc.
Parker & Sons Shooting Supply
Peterson Gun Shop, Inc., A.W.
PMC/Eldorado Cartridge Corp.
Police Bookshelf
Polywad, Inc.
Pony Express Reloaders
Precision Delta Corp.
Pro Load Ammunition, Inc.
Quality Cartridge
R.E.I.
Ravell Ltd.
Remington Arms Co., Inc.
Rucker Dist. Inc.
RWS (See U.S. Importer-Dynamit Nobel-RWS, Inc.)
Sellier & Bellot, USA, Inc.
Southern Ammunition Co., Inc.
Speer Bullets
TCCI
The A.W. Peterson Gun Shop, Inc.
The BulletMakers Workshop
The Gun Room Press
The Gun Works
Thompson Bullet Lube Co.
USAC
VAM Distribution Co. LLC

PRODUCT & SERVICE DIRECTORY

Victory USA
 Vihtavuori Oy/Kaltron-Pettibone
 Visible Impact Targets
 Voere-KGH GmbH
 Weatherby, Inc.
 Westley Richards & Co. Ltd.
 Whitestone Lumber Corp.
 Widener's Reloading & Shooting
 Supply, Inc.
 William E. Phillips Firearms
 Winchester Div. Olin Corp.
 Zero Ammunition Co., Inc.

AMMUNITION, CUSTOM

3-Ten Corp.
 A.W. Peterson Gun Shop, Inc.
 Accuracy Unlimited
 AFSCO Ammunition
 Allred Bullet Co.
 American Derringer Corp.
 American Products, Inc.
 Arizona Ammunition, Inc.
 Arms Corporation of the Philippines
 Atlantic Rose, Inc.
 Ballard Rifle & Cartridge Co., LLC
 Bear Arms
 Belding's Custom Gun Shop
 Berger Bullets Ltd.
 Big Bore Bullets of Alaska
 Black Hills Ammunition, Inc.
 Blue Mountain Bullets
 Brynin, Milton
 Buckskin Bullet Co.
 Buffalo Arms Co.
 CBC
 CFventures
 Champlin Firearms, Inc.
 Cubic Shot Shell Co., Inc.
 Custom Tackle and Ammo
 D.L. Unmussig Bullets
 Dakota Arms, Inc.
 Dead Eye's Sport Center
 Delta Frangible Ammunition LLC
 DKT, Inc.
 Dutchman's Firearms, Inc.
 Elite Ammunition
 Estate Cartridge, Inc.
 GDL Enterprises
 GOEX, Inc.
 Grayback Wildcats
 Hawk, Inc.
 Hirtnerberger AG
 Hobson Precision Mfg. Co.
 Horizons Unlimited
 Hornady Mfg. Co.
 Hunters Supply, Inc.
 Jensen Bullets
 Jensen's Custom Ammunition
 Jensen's Firearms Academy
 Kaswer Custom, Inc.
 L. E. Jurras & Assoc.
 L.A.R. Mfg., Inc.
 Lethal Force Institute
 (See Police Bookshelf)
 Lindsley Arms Cartridge Co.
 Linebaugh Custom Sixguns
 Loch Leven Industries/Convert-A-Pell
 MagSafe Ammo Co.
 MAST Technology, Inc.
 McBros Rifle Co.
 McMurdo, Lynn
 (See Specialty Gunsmithing)
 Men-Metallwerk Elisenhuetten GmbH
 Milstor Corp.
 Mullins Ammunition
 Oklahoma Ammunition Co.
 P.S.M.G. Gun Co.
 Peterson Gun Shop, Inc., A.W.
 Phillippi Custom Bullets, Justin
 Police Bookshelf
 Power Plus Enterprises, Inc.
 Precision Delta Corp.

Professional Hunter Supplies
 (See Star Custom Bullets)
 Quality Cartridge
 R.E.I.
 Ramon B. Gonzalez Guns
 Sandia Die & Cartridge Co.
 SOS Products Co.
 (See Buck Stix-SOS Products Co.)
 Specialty Gunsmithing
 Spencer's Rifle Barrels, Inc.
 SSK Industries
 Star Custom Bullets
 Stewart's Gunsmithing
 TCCI
 The A.W. Peterson Gun Shop, Inc.
 The BulletMakers Workshop
 The Country Armourer
 Vitt/Boos
 Vulpes Ventures, Inc., Fox Cartridge
 Division
 Warren Muzzleloading Co., Inc.
 Watson Bullets
 Worthy Products, Inc.
 Zero Ammunition Co., Inc.

AMMUNITION, FOREIGN

A.W. Peterson Gun Shop, Inc.
 Ad Hominem
 AFSCO Ammunition
 Armscorp USA, Inc.
 Atlantic Rose, Inc.
 B&P America
 Cape Outfitters
 CBC
 Cheddite, France S.A.
 Cubic Shot Shell Co., Inc.
 Dead Eye's Sport Center
 DKT, Inc.
 Dynamit Nobel-RWS, Inc.
 E. Arthur Brown Co.
 Fiocchi of America, Inc.
 Gamebore Division, Polywad, Inc.
 Gibbs Rifle Co., Inc.
 GOEX, Inc.
 Goodwin's Pawn Shop
 Gunsmithing, Inc.
 Hansen & Co.
 Heidenstrom Bullets
 Hirtnerberger AG
 Hornady Mfg. Co.
 I.S.S.
 Intrac Arms International
 Jack First, Inc.
 K.B.I. Inc.
 MagSafe Ammo Co.
 Mandall Shooting Supplies Inc.
 Marksman Products
 MAST Technology, Inc.
 Merkuria Ltd.
 Mullins Ammunition
 Navy Arms Company
 Oklahoma Ammunition Co.
 P.S.M.G. Gun Co.
 Paragon Sales & Services, Inc.
 Peterson Gun Shop, Inc., A.W.
 Petro-Explo Inc.
 Precision Delta Corp.
 R.E.T. Enterprises
 Ramon B. Gonzalez Guns
 RWS (See U.S. Importer-Dynamit
 Nobel-RWS, Inc.)
 Samco Global Arms, Inc.
 Sentinel Arms
 Southern Ammunition Co., Inc.
 Speer Bullets
 Stratco, Inc.
 T.F.C. S.p.A.
 The A.W. Peterson Gun Shop, Inc.
 The BulletMakers Workshop
 The Paul Co.
 Victory Ammunition
 Vihtavuori Oy/Kaltron-Pettibone
 Wolf Performance Ammunition

ANTIQUÉ ARMS DEALER

Ackerman & Co.
 Ad Hominem
 Antique American Firearms
 Antique Arms Co.
 Aplan Antiques & Art, James O.
 Armoury, Inc., The
 Arundel Arms & Ammunition, Inc., A.
 Ballard Rifle & Cartridge Co., LLC
 Bear Mountain Gun & Tool
 Bob's Tactical Indoor Shooting Range
 & Gun Shop
 Buffalo Arms Co.
 Cape Outfitters
 Carlson, Douglas R, Antique American
 Firearms
 CBC-BRAZIL
 Chadick's Ltd.
 Chambers Flintlocks Ltd., Jim
 Champlin Firearms, Inc.
 Chuck's Gun Shop
 Clements' Custom Leathercraft, Chas
 Cole's Gun Works
 D&D Gunsmiths, Ltd.
 David R. Chicoine
 Dixie Gun Works
 Dixon Muzzleloading Shop, Inc.
 Duffy, Charles E.
 (See Guns Antique & Modern DBA)
 Ed's Gun House
 Enquix Import-Export
 Fagan Arms
 Flayderman & Co., Inc.
 George Madis Winchester Consultants
 Getz Barrel Company
 Glass, Herb
 Goergen's Gun Shop, Inc.
 Golden Age Arms Co.
 Goodwin's Pawn Shop
 Gun Hunter Books
 (See Gun Hunter Trading Co.)
 Gun Hunter Trading Co.
 Guns Antique & Modern DBA / Charles
 E. Duffy
 Hallowell & Co.
 Hammans, Charles E.
 HandCrafts Unltd.
 (See Clements' Custom Leather)
 Handgun Press
 Hansen & Co.
 Hunkeler, A.
 (See Buckskin Machine Works)
 Imperial Miniature Armory
 James Wayne Firearms for Collectors
 and Investors
 Kelley's
 Knight's Mfg. Co.
 Ledbetter Airguns, Riley
 LeFever Arms Co., Inc.
 Lever Arms Service Ltd.
 Lock's Philadelphia Gun Exchange
 Log Cabin Sport Shop
 Logdewood Mfg.
 Mandall Shooting Supplies Inc.
 Marshall Fish Mfg. Gunsmith Sptg. Co.
 Martin's Gun Shop
 Michael's Antiques
 Mid-America Recreation, Inc.
 Montana Outfitters, Lewis E. Yearout
 Muzzleloaders Etcetera, Inc.
 Navy Arms Company
 New England Arms Co.
 Olathe Gun Shop
 P.S.M.G. Gun Co.
 Peter Dyson & Son Ltd.
 Pony Express Sport Shop
 Powder Horn Ltd.
 Ravell Ltd.
 Reno, Wayne
 Retting, Inc., Martin B.
 Robert Valade Engraving
 Rutgers Book Center

Samco Global Arms, Inc.
 Sarco, Inc.
 Scott Fine Guns Inc., Thad
 Shootin' Shack
 Sportsmen's Exchange & Western
 Gun Traders, Inc.
 Steves House of Guns
 Stott's Creek Armory, Inc.
 The Gun Room
 The Gun Room Press
 The Gun Works
 Turnbull Restoration, Doug
 Vic's Gun Refinishing
 Wallace, Terry
 Westley Richards & Co. Ltd.
 Wild West Guns
 Winchester Sutler, Inc., The
 Wood, Frank (See Classic Guns, Inc.)
 Yearout, Lewis E.
 (See Montana Outfitters)

APPRAISER - GUNS, ETC.

A.W. Peterson Gun Shop, Inc.
 Ackerman & Co.
 Antique Arms Co.
 Armoury, Inc., The
 Arundel Arms & Ammunition, Inc., A.
 Barta's Gunsmithing
 Beitzinger, George
 Blue Book Publications, Inc.
 Bob's Tactical Indoor Shooting Range
 & Gun Shop
 Bonham's & Butterfields
 Bullet N Press
 Cape Outfitters
 Chadick's Ltd.
 Champlin Firearms, Inc.
 Christie's East
 Chuilli, Stephen
 Clark Firearms Engraving
 Clements' Custom Leathercraft, Chas
 Cole's Gun Works
 Colonial Arms, Inc.
 Colonial Repair
 Corry, John
 Custom Tackle and Ammo
 D&D Gunsmiths, Ltd.
 David R. Chicoine
 DGR Custom Rifles
 Dietz Gun Shop & Range, Inc.
 Dixie Gun Works
 Dixon Muzzleloading Shop, Inc.
 Duane's Gun Repair
 (See DGR Custom Rifles)
 Ed's Gun House
 Eversull Co., Inc.
 Fagan Arms
 Ferris Firearms
 Flayderman & Co., Inc.
 Forty-Five Ranch Enterprises
 Francotte & Cie S.A. Auguste
 Frontier Arms Co., Inc.
 Gene's Custom Guns
 George Madis Winchester Consultants
 Getz Barrel Company
 Gillmann, Edwin
 Goergen's Gun Shop, Inc.
 Golden Age Arms Co.
 Goodwin's Pawn Shop
 Griffin & Howe, Inc.
 Griffin & Howe, Inc.
 Griffin & Howe, Inc.
 Groenewold, John
 Gun City
 Gun Hunter Books
 (See Gun Hunter Trading Co.)
 Gun Hunter Trading Co.
 Guncraft Books
 (See Guncraft Sports, Inc.)
 Guncraft Sports, Inc.
 Guncraft Sports, Inc.

Gunsmithing, Inc.
 Hallowell & Co.
 Hammans, Charles E.
 HandCrafts Unltd.
 (See Clements' Custom Leather)
 Handgun Press
 Hank's Gun Shop
 Hansen & Co.
 Irwin, Campbell H.
 Island Pond Gun Shop
 Ithaca Classic Doubles
 Jackalope Gun Shop
 James Wayne Firearms for Collectors
 and Investors
 Jensen's Custom Ammunition
 Kelley's
 L.L. Bean, Inc.
 Lampert, Ron
 LaRocca Gun Works
 Ledbetter Airguns, Riley
 LeFever Arms Co., Inc.
 Lock's Philadelphia Gun Exchange
 Log Cabin Sport Shop
 Logdewood Mfg.
 Long, George F.
 Mahony, Philip Bruce
 Mandall Shooting Supplies Inc.
 Marshall Fish Mfg. Gunsmith Sptg. Co.
 Martin's Gun Shop
 Mathews Gun Shop & Gunsmithing,
 Inc.
 McCann Industries
 Mercer Custom Guns
 Montana Outfitters, Lewis E. Yearout
 Muzzleloaders Etcetera, Inc.
 Navy Arms Company
 New England Arms Co.
 Nitex Gun Shop
 Olathe Gun Shop
 P&M Sales & Services, LLC
 P.S.M.G. Gun Co.
 Pasadena Gun Center
 Pentheny de Pentheny
 Perazone-Gunsmith, Brian
 Peterson Gun Shop, Inc., A.W.
 Pettinger Books, Gerald
 Pony Express Sport Shop
 Powder Horn Ltd.
 R.A. Wells Custom Gunsmith
 R.E.T. Enterprises
 Ramon B. Gonzalez Guns
 Retting, Inc., Martin B.
 Robert Valade Engraving
 Rutgers Book Center
 Scott Fine Guns Inc., Thad
 Shootin' Shack
 Spencer Reblue Service
 Sportsmen's Exchange & Western
 Gun Traders, Inc.
 Steven Dodd Hughes
 Stott's Creek Armory, Inc.
 Stratco, Inc.
 Ten-Ring Precision, Inc.
 The A.W. Peterson Gun Shop, Inc.
 The Gun Room Press
 The Gun Shop
 Getz Barrel Company
 The Orvis Co.
 The Swampfire Shop
 (See Peterson Gun Shop, Inc.)
 Thurston Sports, Inc.
 Vic's Gun Refinishing
 Walker Arms Co., Inc.
 Wallace, Terry
 Wasmundt, Jim
 Weber & Markin Custom Gunsmiths
 Werth, T. W.
 Whildin & Sons Ltd, E.H.
 Whitestone Lumber Corp.
 Wild West Guns
 Williams Shootin' Iron Service, The
 Lynx-Line
 Winchester Sutler, Inc., The

PRODUCT & SERVICE DIRECTORY

Wood, Frank (See Classic Guns, Inc.)
Yearout, Lewis E.
(See Montana Outfitters)

AUCTIONEER - GUNS, ETC.

"Little John's" Antique Arms
Bonham's & Butterfields
Buck Stix-SOS Products Co.
Christie's East
Fagan Arms
Pete de Coux Auction House
Sotheby's

BOOKS & MANUALS (PUBLISHERS & DEALERS)

"Su-Press-On", Inc.
Alpha 1 Drop Zone
American Handgunner Magazine
Armory Publications
Arms & Armour Press
Ballistic Products, Inc.
Ballistic Products, Inc.
Barnes Bullets, Inc.
Bauska Barrels
Beartooth Bullets
Beeman Precision Airguns
Blacksmith Corp.
Blacktail Mountain Books
Blue Book Publications, Inc.
Blue Ridge Machinery & Tools, Inc.
Boone's Custom Ivory Grips, Inc.
Brown Co., E. Arthur
Brownells, Inc.
Bullet N Press
C. Sharps Arms Co. Inc./Montana
Armory
Cape Outfitters
Cheyenne Pioneer Products
Collector's Armoury, Ltd.
Colonial Repair
Corbin Mfg. & Supply, Inc.
DBI Books Division of Krause
Publications
deHaas Barrels
Dixon Muzzleloading Shop, Inc.
Excalibur Publications
Executive Protection Institute
Fulton Armory
Galati International
GAR
Golden Age Arms Co.
Gun City
Gun Hunter Books
(See Gun Hunter Trading Co.)
Gun Hunter Trading Co.
Gun List (See Krause Publications)
Guncraft Books
(See Guncraft Sports, Inc.)
Guncraft Sports, Inc.
Gunnerman Books
GUNS Magazine
Gunsmithing, Inc.
H&P Publishing
Handgun Press
Harris Publications
Hawk Laboratories, Inc.
(See Hawk, Inc.)
Hawk, Inc.
Heritage/VSP Gun Books
Hodgdon Powder Co.
Home Shop Machinist, The Village
Press Publications
Hornady Mfg. Co.
Huntington Die Specialties
I.D.S.A. Books
Info-Arm
Ironside International Publishers, Inc.
Jantz Supply

Kelley's
King & Co.
Koval Knives
Krause Publications, Inc.
L.B.T.
Lapua Ltd.
Lebeau-Courally
Lethal Force Institute
(See Police Bookshelf)
Lyman Products Corp.
Madis Books
Magma Engineering Co.
Mandall Shooting Supplies Inc.
MarMik, Inc.
Marshall Fish Mfg. Gunsmith Sptg. Co.
Montana Armory, Inc.
(See C. Sharps Arms Co. Inc.)
Montana Precision Swaging
Mountain State Muzzleloading
Supplies, Inc.
Mulberry House Publishing
Navy Arms Company
Numrich Gun Parts Corporation
OK Weber, Inc.
Outdoor Sports Headquarters, Inc.
Paintball Games International
Magazine Aceville
Pansch, Robert F
Pejsa Ballistics
Pettinger Books, Gerald
PFRB Co.
Police Bookshelf
Precision Reloading, Inc.
Precision Shooting, Inc.
Primedia Publishing Co.
Professional Hunter Supplies
(See Star Custom Bullets)
Ravell Ltd.
Ray Riling Arms Books Co.
Remington Double Shotguns
Russ Haydon's Shooters' Supply
Rutgers Book Center
S&S Firearms
Safari Press, Inc.
Saunders Gun & Machine Shop
Scharch Mfg., Inc.-Top Brass
Scharch Mfg., Inc.-Top Brass
Semmer, Charles
(See Remington Double Shotguns)
Sharps Arms Co., Inc., C.
Shotgun Sports Magazine, dba
Shootin' Accessories Ltd.
Sierra Bullets
Speer Bullets
SPG LLC
Stackpole Books
Star Custom Bullets
Stewart Game Calls, Inc., Johnny
Stoeger Industries
Stoeger Publishing Co.
(See Stoeger Industries)
Swift Bullet Co.
The A.W. Peterson Gun Shop, Inc.
The Gun Room Press
The Gun Works
The NgraveR Co.
Thomas, Charles C.
Track of the Wolf, Inc.
Trafalgar Square
Trotman, Ken
Tru-Balance Knife Co.
Vega Tool Co.
Vintage Industries, Inc.
VSP Publishers
(See Heritage/VSP Gun Books)
W.E. Brownell Checkering Tools
WAMCO-New Mexico
Wells Creek Knife & Gun Works
Wilderness Sound Products Ltd.
Williams Gun Sight Co.
Wolfe Publishing Co.
Wolf's Western Traders

BULLET CASTING, ACCESSORIES

Ballisti-Cast, Inc.
Buffalo Arms Co.
Bullet Metals
Cast Performance Bullet Company
CFVentures
Cooper-Woodward Perfect Lube
Davide Pedersoli and Co.
Ferguson, Bill
Huntington Die Specialties
Lee Precision, Inc.
Lithi Bee Bullet Lube
Lyman Products Corp.
MA Systems, Inc.
Magma Engineering Co.
Ox-Yoke Originals, Inc.
Rapine Bullet Mould Mfg. Co.
SPG LLC
The A.W. Peterson Gun Shop, Inc.
The Hanned Line
United States Products Co.

BULLET CASTING, FURNACES & POTS

Ballisti-Cast, Inc.
Buffalo Arms Co.
Bullet Metals
Ferguson, Bill
GAR
Lee Precision, Inc.
Lyman Products Corp.
Magma Engineering Co.
Rapine Bullet Mould Mfg. Co.
RCBS/ATK
The A.W. Peterson Gun Shop, Inc.
The Gun Works
Thompson Bullet Lube Co.

BULLET CASTING, LEAD

Action Bullets & Alloy Inc.
Ames Metal Products
Buckskin Bullet Co.
Buffalo Arms Co.
Bullet Metals
Hunters Supply, Inc.
Jericho Tool & Die Co., Inc.
Lee Precision, Inc.
Lithi Bee Bullet Lube
Magma Engineering Co.
Montana Precision Swaging
Ox-Yoke Originals, Inc.
Penn Bullets
Proofmark Corp.
SPG LLC
Splitfire Sporting Goods, L.L.C.
The A.W. Peterson Gun Shop, Inc.
The Gun Works
Walters Wads

BULLET PULLERS

Battenfeld Technologies Inc.
Davide Pedersoli and Co.
Hollywood Engineering
Huntington Die Specialties
Royal Arms Gunstocks
The A.W. Peterson Gun Shop, Inc.
The Gun Works

BULLET TOOLS

Brynin, Milton
Camdex, Inc.
Corbin Mfg. & Supply, Inc.
Cumberland Arms
Eagan, Donald V.
Holland's Gunsmithing

Hollywood Engineering
Lee Precision, Inc.
Niemi Engineering, W. B.
North Devon Firearms Services
Rorschach Precision Products
Sport Flite Manufacturing Co.
The A.W. Peterson Gun Shop, Inc.
The Hanned Line
WTA Manufacturing

BULLET CASE & DIE LUBRICANTS

Beartooth Bullets
Bonanza (See Forster Products)
Brown Co., E. Arthur
Buckskin Bullet Co.
Buffalo Arms Co.
Camp-Cap Products
CFVentures
Cooper-Woodward Perfect Lube
CVA
E-Z-Way Systems
Ferguson, Bill
Forster Products
GAR
Guardman Products
Heidenstrom Bullets
Hollywood Engineering
Hornady Mfg. Co.
Imperial (See E-Z-Way Systems)
Knoell, Doug
L.B.T.
Le Clear Industries
(See E-Z-Way Systems)
Lee Precision, Inc.
Lithi Bee Bullet Lube
MI-TE Bullets
Paco's (See Small Custom Mould &
Bullet Co.)
RCBS Operations/ATK
Reardon Products
Rooster Laboratories
Shay's Gunsmithing
Small Custom Mould & Bullet Co.
Tamarack Products, Inc.
The Hanned Line
Uncle Mike's
(See Michaels of Oregon Co.)
Warren Muzzleloading Co., Inc.
Widener's Reloading & Shooting
Supply, Inc.
Young Country Arms

CARTRIDGES FOR COLLECTORS

Ackerman & Co.
Ad Hominem
Armory Publications
Cameron's
Campbell, Dick
Cherry Creek State Park Shooting
Center
Cole's Gun Works
Colonial Repair
Cubic Shot Shell Co., Inc.
Duane's Gun Repair
(See DGR Custom Rifles)
Ed's Gun House
Ed's Gun House
Enquix Import-Export
Forty-Five Ranch Enterprises
George Madis Winchester Consultants
Goergen's Gun Shop, Inc.
Goodwin's Pawn Shop
Grayback Wildcats
Gun City
Gun Hunter Books
(See Gun Hunter Trading Co.)
Gun Hunter Trading Co.
Jack First, Inc.

Kelley's
Liberty Shooting Supplies
Mandall Shooting Supplies Inc.
MAST Technology, Inc.
Michael's Antiques
Montana Outfitters, Lewis E. Yearout
Numrich Gun Parts Corporation
Pasadena Gun Center
Pete de Coux Auction House
Samco Global Arms, Inc.
SOS Products Co.
(See Buck Stix-SOS Products Co.)
Stone Enterprises Ltd.
The Country Armourer
The Gun Room Press
Ward & Van Valkenburg
Yearout, Lewis E.
(See Montana Outfitters)

CASE & AMMUNITION PROCESSORS, INSPECTORS, BOXERS

Ammo Load, Inc.
Hafner World Wide, Inc.
Scharch Mfg., Inc.-Top Brass
The A.W. Peterson Gun Shop, Inc.

CASE CLEANERS & POLISHING MEDIA

Battenfeld Technologies Inc.
Buffalo Arms Co.
G96 Products Co., Inc.
Huntington Die Specialties
Lee Precision, Inc.
Penn Bullets
The A.W. Peterson Gun Shop, Inc.
The Gun Works
Tru-Square Metal Products, Inc.
VibraShine, Inc.

CASE PREPARATION TOOLS

Battenfeld Technologies Inc.
High Precision
Hoehn Sales, Inc.
Huntington Die Specialties
J. Dewey Mfg. Co., Inc.
K&M Services
Lee Precision, Inc.
Match Prep-Doyle Gracey
Plum City Ballistic Range
PWM Sales Ltd.
RCBS Operations/ATK
Russ Haydon's Shooters' Supply
Sinclair International, Inc.
Stoney Point Products, Inc.
The A.W. Peterson Gun Shop, Inc.

CASE TRIMMERS, TRIM DIES & ACCESSORIES

Buffalo Arms Co.
Creedmoor Sports, Inc.
Fremont Tool Works
Goodwin's Pawn Shop
Hollywood Engineering
K&M Services
Lyman Products Corp.
Match Prep-Doyle Gracey
OK Weber, Inc.
Ozark Gun Works
PWM Sales Ltd.
RCBS/ATK
Redding Reloading Equipment
The A.W. Peterson Gun Shop, Inc.

PRODUCT & SERVICE DIRECTORY

CASE TUMBLERS, VIBRATORS, MEDIA & ACCESSORIES

4-D Custom Die Co.
Battenfeld Technologies Inc.
Berry's Mfg., Inc.
Dillon Precision Products, Inc.
Goodwin's Pawn Shop
Penn Bullets
Raytech Div. of Lyman Products Corp.
The A.W. Peterson Gun Shop, Inc.
Tru-Square Metal Products, Inc.
VibraShine, Inc.

CASES, CABINETS, RACKS & SAFES - GUN

All Rite Products, Inc.
Allen Co., Inc.
Alumna Sport by Dee Zee
American Display Co.
American Security Products Co.
Americase
Art Jewel Enterprises Ltd.
Bagmaster Mfg., Inc.
Barramundi Corp.
Berry's Mfg., Inc.
Big Spring Enterprises "Bore Stores"
Bison Studios
Black Sheep Brand
Brauer Bros.
Browning Arms Co.
Bushmaster Hunting & Fishing
Cannon Safe, Inc.
Chipmunk (See Oregon Arms, Inc.)
Connecticut Shotgun Mfg. Co.
D&L Industries (See D.J. Marketing)
D.J. Marketing
Dara-Nes, Inc.
(See Nesci Enterprises, Inc.)
Deepeeka Exports Pvt. Ltd.
Dokocil Mfg. Co., Inc.
DTM International, Inc.
EMF Co., Inc.
English, Inc., A.G.
Enhanced Presentations, Inc.
Eversull Co., Inc.
Flambeau, Inc.
Fort Knox Security Products
Freedom Arms, Inc.
Frontier Safe Co.
Galati International
GALCO International Ltd.
Gun-Ho Sports Cases
Hall Plastics, Inc., John
Hastings
Homak
Hoppe's Div. Penguin Industries, Inc.
Hunter Co., Inc.
Hydrosorbent Products
Impact Case & Container, Inc.
Johansson's Vapentillbehör, Bert
Johnston Bros. (See C&T Corp. TA
Johnson Brothers)
Kalspel Case Line
KK Air International
(See Impact Case & Container Co.)
Knock on Wood Antiques
Kolpin Outdoors, Inc.
Lakewood Products LLC
Liberty Safe
Mandall Shooting Supplies Inc.
Marsh, Mike
McWelco Products
Morton Booth Co.
MPC
MTM Molded Products Co., Inc.
Nalpak
Necessary Concepts, Inc.
Nesci Enterprises Inc.
Oregon Arms, Inc.
(See Rogue Rifle Co., Inc.)

Outa-Site Gun Carriers
Pflumm Mfg. Co.
Poburka, Philip (See Bison Studios)
Powell & Son (Gunmakers) Ltd.,
William
Prototech Industries, Inc.
Rogue Rifle Co., Inc.
Schulz Industries
Silhouette Leathers
Southern Security
Sportsman's Communicators
Sun Welding Safe Co.
Sweet Home, Inc.
The Outdoor Connection, Inc.
The Surecase Co.
Tinks & Ben Lee Hunting Products
(See Wellington)
Trulock Tool
Universal Sports
W. Waller & Son, Inc.
Whitestone Lumber Corp.
Wilson Case, Inc.
Woodstream
Zanotti Armor, Inc.
Ziegel Engineering

CHOKE DEVICES, RECOIL ABSORBERS & RECOIL PADS

3-Ten Corp.
Action Products, Inc.
Answer Products Co.
Arundel Arms & Ammunition, Inc., A.
Bansner's Ultimate Rifles, LLC
Bartlett Engineering
Battenfeld Technologies Inc.
Bob Allen Sportswear
Briley Mfg. Inc.
Brooks Tactical Systems-Agrip
Brownells, Inc.
B-Square Company, Inc.
Buffer Technologies
Bull Mountain Rifle Co.
C&H Research
Cation
Chicasaw Gun Works
Clearview Products
Colonial Arms, Inc.
Connecticut Shotgun Mfg. Co.
CRR, Inc./Marble's Inc.
Danuser Machine Co.
Dina Arms Corporation
Gentry Custom LLC
Goodwin's Pawn Shop
Graybill's Gun Shop
Gruning Precision, Inc.
Harry Lawson Co.
Hastings
Haydel's Game Calls, Inc.
Hogue Grips
Holland's Gunsmithing
I.N.C. Inc. (See Kickeeze I.N.C., Inc.)
J.P. Enterprises Inc.
Jackalope Gun Shop
Jenkins Recoil Pads
KDF, Inc.
Kickeeze I.N.C., Inc.
Lawson Co., Harry
London Guns Ltd.
Lyman Products Corp.
Mag-Na-Port International, Inc.
Mandall Shooting Supplies Inc.
Marble Arms
(See CRR, Inc./Marble's Inc.)
Menck, Gunsmith Inc., T.W.
Middlebrooks Custom Shop
Morrow, Bud
Nu-Line Guns, Inc.
One Of A Kind
Original Box, Inc.
P.S.M.G. Gun Co.
Palsa Outdoor Products

Parker & Sons Shooting Supply
Pro-Port Ltd.
Que Industries, Inc.
Shotguns Unlimited
Simmons Gun Repair, Inc.
Stan Baker Sports
Stone Enterprises Ltd.
The A.W. Peterson Gun Shop, Inc.
Time Precision
Truglo, Inc.
Trulock Tool
Uncle Mike's
(See Michaels of Oregon Co.)
Universal Sports
Virgin Valley Custom Guns
Williams Gun Sight Co.
Wilson Combat
Wise Guns, Dale

CHRONOGRAPHS & PRESSURE TOOLS

Air Rifle Specialists
Brown Co., E. Arthur
C.W. Erickson's L.L.C.
Canons Delcour
Clearview Products
Competition Electronics, Inc.
Custom Chronograph, Inc.
D&H Precision Tooling
Hege Jagd-u. Sporthandels GmbH
Hutton Rifle Ranch
Mac-1 Airgun Distributors
Oehler Research, Inc.
P.A.C.T., Inc.
Romain's Custom Guns, Inc.
Savage Arms, Inc.
Stratco, Inc.
Tepeco

CLEANERS & DEGREASERS

Barnes Bullets, Inc.
Camp-Cap Products
Cubic Shot Shell Co., Inc.
G96 Products Co., Inc.
Goodwin's Pawn Shop
Hafner World Wide, Inc.
Half Moon Rifle Shop
Kleen-Bore, Inc.
LEM Gun Specialties, Inc. The Lewis
Lead Remover
Modern Muzzleloading, Inc.
Northern Precision
Parker & Sons Shooting Supply
Parker Gun Finishes
PrOlixr Lubricants
R&S Industries Corp.
Ramon B. Gonzalez Guns
Rustprufe Laboratories
Sheffield Knifemakers Supply, Inc.
Shooter's Choice Gun Care
Sierra Specialty Prod. Co.
Spencer's Rifle Barrels, Inc.
The A.W. Peterson Gun Shop, Inc.
The Gun Works
United States Products Co.

CLEANING & REFINISHING SUPPLIES

AC Dyna-tite Corp.
Alpha 1 Drop Zone
American Gas & Chemical Co., Ltd
Answer Products Co.
Armita Laboratories
Atlantic Mills, Inc.
Atsko/Sno-Seal, Inc.
Barnes Bullets, Inc.
Battenfeld Technologies Inc.
Beeman Precision Airguns

Bill's Gun Repair
Birchwood Casey
Blount, Inc., Sporting Equipment Div.
Blount/Outers ATK
Blue and Gray Products Inc.
(See Ox-Yoke Originals)
Break-Free, Inc.
Bridgers Best
Brown Co., E. Arthur
Brownells, Inc.
C.S. Van Gorden & Son, Inc.
Cambos Outdoorsman
Cambos Outdoorsman
Camp-Cap Products
CCI/Speer Div of ATK
Connecticut Shotgun Mfg. Co.
Creedmoor Sports, Inc.
CRR, Inc./Marble's Inc.
Custom Products
(See Jones Custom Products)
Cylinder & Slide, Inc., William R.
Laughridge
Dara-Nes, Inc.
(See Nesci Enterprises, Inc.)
Deepeeka Exports Pvt. Ltd.
Desert Mountain Mfg.
Du-Lite Corp.
Dykstra, Doug
E&L Mfg., Inc.
Effebe SNC-Dr. Franco Beretta
Ekol Leather Care
Faith Associates
Flitz International Ltd.
Fluoramics, Inc.
Frontier Products Co.
G96 Products Co., Inc.
Golden Age Arms Co.
Guardzman Products
Gunsmithing, Inc.
Hafner World Wide, Inc.
Half Moon Rifle Shop
Hammans, Charles E.
Heatbath Corp.
Hoppe's Div. Penguin Industries, Inc.
Hornady Mfg. Co.
Hydrosorbent Products
Iosso Products
J. Dewey Mfg. Co., Inc.
Jantz Supply
Jantz Supply
Johnston Bros. (See C&T Corp. TA
Johnson Brothers)
Jonad Corp.
K&M Industries, Inc.
Kellogg's Professional Products
Kessling Gun Shop
Kleen-Bore, Inc.
Knight Rifles
Laurel Mountain Forge
Lee Supplies, Mark
LEM Gun Specialties, Inc. The Lewis
Lead Remover
List Precision Engineering
LPS Laboratories, Inc.
Lyman Products Corp.
Mac-1 Airgun Distributors
Mandall Shooting Supplies Inc.
Marble Arms
(See CRR, Inc./Marble's Inc.)
Mark Lee Supplies
Micro Sight Co.
Minute Man High Tech Industries
Mountain State Muzzleloading
Supplies, Inc.
MTM Molded Products Co., Inc.
Muscle Products Corp.
Nesci Enterprises Inc.
Northern Precision
October Country Muzzleloading
Old World Oil Products
Otis Technology, Inc.
Outers Laboratories Div. of ATK
Ox-Yoke Originals, Inc.
Parker & Sons Shooting Supply

Parker Gun Finishes
Pendleton Royal, c/o Swingler
Buckland Ltd.
Pete Rickard, Inc.
Peter Dyson & Son Ltd.
Precision Airgun Sales, Inc.
Precision Reloading, Inc.
PrOlixr Lubricants
Pro-Shot Products, Inc.
R&S Industries Corp.
Radiator Specialty Co.
Rooster Laboratories
Russ Haydon's Shooters' Supply
Rustprufe Laboratories
Rusty Duck Premium Gun Care
Products
Saunders Gun & Machine Shop
Schumakers Gun Shop
Sheffield Knifemakers Supply, Inc.
Shooter's Choice Gun Care
Shotgun Sports Magazine, dba
Shootin' Accessories Ltd.
Silencio/Safety Direct
Sinclair International, Inc.
Sno-Seal, Inc.
(See Atsko/Sno-Seal, Inc.)
Southern Bloomer Mfg. Co.
Splitfire Sporting Goods, L.L.C.
Starr Trading Co., Jedediah
Stoney Point Products, Inc.
Svon Corp.
T.F.C. S.p.A.
TDP Industries, Inc.
Tennessee Valley Mfg.
Tetra Gun Care
Texas Platers Supply Co.
The A.W. Peterson Gun Shop, Inc.
The Lewis Lead Remover
(See LEM Gun Specialties)
The Paul Co.
Track of the Wolf, Inc.
United States Products Co.
Van Gorden & Son Inc., C. S.
Venco Industries, Inc.
(See Shooter's Choice Gun Care)
VibraShine, Inc.
Volquartsen Custom Ltd.
Warren Muzzleloading Co., Inc.
Watson Bullets
WD-40 Co.
Wick, David E.
Willow Bend
Wolf's Western Traders
Young Country Arms

COMPUTER SOFTWARE - BALLISTICS

Action Target, Inc.
AmBr Software Group Ltd.
Arms Software
Arms, Programming Solutions
(See Arms Software)
Barnes Bullets, Inc.
Canons Delcour
Corbin Mfg. & Supply, Inc.
Data Tech Software Systems
Hodgdon Powder Co.
J.I.T. Ltd.
Jensen Bullets
Oehler Research, Inc.
Outdoor Sports Headquarters, Inc.
P.A.C.T., Inc.
Pejsa Ballistics
Powley Computer
(See Hutton Rifle Ranch)
RCBS Operations/ATK
Sierra Bullets
The Ballistic Program Co., Inc.
The Country Armourer
The Gun Works
Tioga Engineering Co., Inc.
W. Square Enterprises

PRODUCT & SERVICE DIRECTORY

CUSTOM GUNSMITH

- A&W Repair
A.A. Arms, Inc.
Acadian Ballistic Specialties
Accuracy Unlimited
Ace Custom 45's, Inc.
Acra-Bond Laminates
Adair Custom Shop, Bill
Ahlman Guns
Aldis Gunsmithing & Shooting Supply
Alpha Precision, Inc.
Alpine Indoor Shooting Range
Amrine's Gun Shop
Answer Products Co.
Antique Arms Co.
Armament Gunsmithing Co., Inc.
Arms Craft Gunsmithing
Armscorp USA, Inc.
Artistry in Wood
Art's Gun & Sport Shop, Inc.
Arundel Arms & Ammunition, Inc., A.
Autauga Arms, Inc.
Badger Creek Studio
Baelder, Harry
Bain & Davis, Inc.
Bansner's Ultimate Rifles, LLC
Barnes Bullets, Inc.
Baron Technology
Barrel & Gunworks
Barta's Gunsmithing
Bear Arms
Bear Mountain Gun & Tool
Behlert Precision, Inc.
Beitzinger, George
Belding's Custom Gun Shop
Bengtson Arms Co., L.
Bill Adair Custom Shop
Billings Gunsmiths
BlackStar AccuMax Barrels
BlackStar Barrel Accurizing
(See BlackStar AccuMax)
Bob Rogers Gunsmithing
Bond Custom Firearms
Borden Ridges Rimrock Stocks
Borovnik KG, Ludwig
Bowen Classic Arms Corp.
Brace, Larry D.
Briese Bullet Co., Inc.
Briganti, A.J.
Briley Mfg. Inc.
Broad Creek Rifle Works, Ltd.
Brockman's Custom Gunsmithing
Broken Gun Ranch
Brown Precision, Inc.
Brown Products, Inc., Ed
Buchsenschmiedmeister
Buckhorn Gun Works
Budin, Dave
Bull Mountain Rifle Co.
Bullberry Barrel Works, Ltd.
Burkhart Gunsmithing, Don
Cache La Poudre Rifleworks
Calhoun Mfg.
Cambos Outdoorsman
Cambos Outdoorsman
Campbell, Dick
Carolina Precision Rifles
Carter's Gun Shop
Caywood, Shane J.
CBC-BRAZIL
Chambers Flintlocks Ltd., Jim
Champlin Firearms, Inc.
Chicasaw Gun Works
Chuck's Gun Shop
Chuilli, Stephen
Clark Custom Guns, Inc.
Clark Firearms Engraving
Classic Arms Company
Classic Arms Corp.
Clearview Products
- Cleland's Outdoor World, Inc
Coffin, Charles H.
Cogar's Gunsmithing
Cole's Gun Works
Colonial Arms, Inc.
Colonial Repair
Colorado Gunsmithing Academy
Colorado School of Trades
Colt's Mfg. Co., Inc.
Conrad, C. A.
Corkys Gun Clinic
Cullity Restoration
Custom Single Shot Rifles
D&D Gunsmiths, Ltd.
D.L. Unmussig Bullets
Dangler, Homer L.
D'Arcy Echols & Co.
Darlington Gun Works, Inc.
Dave's Gun Shop
David Miller Co.
David R. Chicoine
David W. Schwartz Custom Guns
Davis, Don
Delorge, Ed
Del-Sports, Inc.
DGR Custom Rifles
DGS, Inc., Dale A. Storey
Dietz Gun Shop & Range, Inc.
Dillott Gunsmithing, Inc.
Don Klein Custom Guns
Donnelly, C. P.
Duane A. Hobbie Gunsmithing
Duane's Gun Repair
(See DGR Custom Rifles)
Duffy, Charles E.
(See Guns Antique & Modern DBA)
Duncan's Gun Works, Inc.
E. Arthur Brown Co.
Eckelman Gunsmithing
Ed Brown Products, Inc.
Eggleston, Jere D.
Entre prise Arms, Inc.
Erhardt, Dennis
Eversull Co., Inc.
Evolution Gun Works, Inc.
FERLIB
Ferris Firearms
Fisher, Jerry A.
Fisher Custom Firearms
Fleming Firearms
Flynn's Custom Guns
Forkin Custom Classics
Forster, Kathy
(See Custom Checkering)
Forster, Larry L.
Forthofer's Gunsmithing &
Knifemaking
Francotte & Cie S.A. Auguste
Fred F. Wells/Wells Sport Store
Frontier Arms Co., Inc.
Fullmer, Geo. M.
Fulton Armory
G.G. & G.
Galaxy Imports Ltd., Inc.
Garthwaite Pistolsmith, Inc., Jim
Gary Reeder Custom Guns
Gator Guns & Repair
Genecco Gun Works
Gene's Custom Guns
Gentry Custom LLC
George Hoenig, Inc.
Gillmann, Edwin
Gillmore Sports Concepts, Inc.
Giron, Robert E.
Goens, Dale W.
Gonic Arms/North American Arms,
Inc.
Goodling's Gunsmithing
Goodwin's Pawn Shop
Grace, Charles E.
Grayback Wildcats
Graybill's Gun Shop
Green, Roger M.
- Greg Gunsmithing Repair
Gre-Tan Rifles
Griffin & Howe, Inc.
Griffin & Howe, Inc.
Griffin & Howe, Inc.
Gruning Precision, Inc.
Guncraft Books
(See Guncraft Sports, Inc.)
Guncraft Sports, Inc.
Guncraft Sports, Inc.
Guns Antique & Modern DBA / Charles
E. Duffy
Gunsite Training Center
Gunsmithing Ltd.
Hamilton, Alex B.
(See Ten-Ring Precision, Inc.)
Hammans, Charles E.
Hammerli Service-Precision Mac
Hammond Custom Guns Ltd.
Hank's Gun Shop
Hanson's Gun Center, Dick
Harry Lawson Co.
Hart & Son, Inc.
Hart Rifle Barrels, Inc.
Hartmann & Weiss GmbH
Harwood, Jack O.
Hawken Shop, The
(See Dayton Traister)
Hecht, Hubert J., Waffen-Hecht
Heilmann, Stephen
Heinie Specialty Products
Hensley, Gunmaker, Darwin
High Bridge Arms, Inc.
High Performance International
High Precision
High Standard Mfg. Co./F.I., Inc.
Highline Machine Co.
Hill, Loring F.
Hiptmayer, Armurier
Hiptmayer, Klaus
Hoag, James W.
Hodgson, Richard
Hoehn Sales, Inc.
Hofer Jagdwaffen, P.
Holland's Gunsmithing
Huebner, Corey O.
Hunkeler, A.
(See Buckskin Machine Works)
Imperial Magnum Corp.
Irwin, Campbell H.
Island Pond Gun Shop
Israel Arms Inc.
Ivanoff, Thomas G.
(See Tom's Gun Repair)
J&S Heat Treat
J.J. Roberts / Engraver
Jack Dever Co.
Jackalope Gun Shop
Jamison's Forge Works
Jarrett Rifles, Inc.
Jarvis, Inc.
Jay McCament Custom Gunmaker
Jeffredo Gunsight
Jensen's Custom Ammunition
Jim Norman Custom Gunstocks
Jim's Precision, Jim Ketchum
John Rigby & Co.
Jones Custom Products, Neil A.
Juenke, Vern
K. Eversull Co., Inc.
KDF, Inc.
Keith's Custom Gunstocks
Ken Eyster Heritage Gunsmiths, Inc.
Ken Starnes Gunmaker
Ketchum, Jim (See Jim's Precision)
Kilham & Co.
King's Gun Works
Kleinendorst, K. W.
KOGOT
Korzinek Riflesmith, J.
L. E. Jurras & Assoc.
LaFrance Specialties
Lampert, Ron
- LaRocca Gun Works
Larry Lyons Gunworks
Lathrop's, Inc.
Laughridge, William R.
(See Cylinder & Slide Inc.)
Lawson Co., Harry
Lazzeroni Arms Co.
LeFever Arms Co., Inc.
Les Baer Custom, Inc.
Linebaugh Custom Sixguns
List Precision Engineering
Lock's Philadelphia Gun Exchange
Lone Star Rifle Company
Long, George F.
Mahony, Philip Bruce
Mahony, Philip Bruce
Mahovsky's Metalife
Makinson, Nicholas
Mandall Shooting Supplies Inc.
Marshall Fish Mfg. Gunsmith Sptg. Co.
Martin's Gun Shop
Martz, John V.
Mathews Gun Shop & Gunsmithing,
Inc.
Mazur Restoration, Pete
McCann, Tom
McCluskey Precision Rifles
McGowen Rifle Barrels
McMillan Rifle Barrels
MCS, Inc.
Mercer Custom Guns
Michael's Antiques
Mid-America Recreation, Inc.
Middlebrooks Custom Shop
Miller Arms, Inc.
Miller Custom
Mills Jr., Hugh B.
Moeller, Steve
Monell Custom Guns
Morrison Custom Rifles, J. W.
Morrow, Bud
Mo's Competitor Supplies
(See MCS, Inc.)
Mowrey's Guns & Gunsmithing
Mullis Guncraft
Muzzleloaders Etcetera, Inc.
NCP Products, Inc.
Neil A. Jones Custom Products
Nelson's Custom Guns, Inc.
Nettestad Gun Works
New England Arms Co.
New England Custom Gun Service
Newman Gunshop
Nicholson Custom
Nickels, Paul R.
Nicklas, Ted
Nitex Gun Shop
North American Shooting Systems
Nu-Line Guns, Inc.
Old World Gunsmithing
Olson, Vic
Ottmar, Maurice
Ox-Yoke Originals, Inc.
Ozark Gun Works
P&M Sales & Services, LLC
P.S.M.G. Gun Co.
PAC-NOR Barreling
Pagel Gun Works, Inc.
Parker & Sons Shooting Supply
Parker Gun Finishes
Pasadena Gun Center
Paterson Gunsmithing
Paulsen Gunstocks
Peacemaker Specialists
PEM's Mfg. Co.
Pence Precision Barrels
Pennsylvania Gunsmith School
Penrod Precision
Pentheny de Pentheny
Perazone-Gunsmith, Brian
Performance Specialists
Pete Mazur Restoration
- Peter Dyson & Son Ltd.
Peterson Gun Shop, Inc., A.W.
Piquette's Custom Engraving
Plum City Ballistic Range
Powell & Son (Gunmakers) Ltd.,
William
Power Custom, Inc.
Professional Hunter Supplies
(See Star Custom Bullets)
Quality Custom Firearms
R&J Gun Shop
R.A. Wells Custom Gunsmith
Ramon B. Gonzalez Guns
Ray's Gunsmith Shop
Renfrew Guns & Supplies
Ridgetop Sporting Goods
Ries, Chuck
RMS Custom Gunsmithing
Robert Valade Engraving
Robinson, Don
Rocky Mountain Arms, Inc.
Romain's Custom Guns, Inc.
Ron Frank Custom Classic Arms
Ruger's Custom Guns
Rupert's Gun Shop
Savage Arms, Inc.
Schiffman, Mike
Schumakers Gun Shop
Score High Gunsmithing
Sharp Shooter Supply
Shaw, Inc., E. R.
(See Small Arms Mfg. Co.)
Shay's Gunsmithing
Shockley, Harold H.
Shooters Supply
Shootin' Shack
Shooting Specialties
(See Titus, Daniel)
Shotguns Unlimited
Silver Ridge Gun Shop
(See Goodwin, Fred)
Simmons Gun Repair, Inc.
Singletary, Kent
Siskiyou Gun Works
(See Donnelly, C. P.)
Skeoch, Brian R.
Sklany's Machine Shop
Slezak, Jerome F.
Small Arms Mfg. Co.
Small Arms Specialists
Smith, Art
Snapp's Gunshop
Speiser, Fred D.
Spencer Reblue Service
Spencer's Rifle Barrels, Inc.
Splitfire Sporting Goods, L.L.C.
Sportsmen's Exchange & Western
Gun Traders, Inc.
Springfield Armory
Springfield, Inc.
SSK Industries
Star Custom Bullets
Steelman's Gun Shop
Steffens, Ron
Steven Dodd Hughes
Stiles Custom Guns
Stott's Creek Armory, Inc.
Sturgeon Valley Sporters
Sullivan, David S.
(See Westwind Rifles, Inc.)
Swann, D. J.
Swenson's 45 Shop, A. D.
Swift River Gunworks
Szveda, Robert
(See RMS Custom Gunsmithing)
Taconic Firearms Ltd., Perry Lane
Tank's Rifle Shop
Tar-Hunt Custom Rifles, Inc.
Tarnhelm Supply Co., Inc.
Taylor & Robbins
Tennessee Valley Mfg.
Ten-Ring Precision, Inc.

PRODUCT & SERVICE DIRECTORY

Terry K. Kopp Professional
Gunsmithing
The A.W. Peterson Gun Shop, Inc.
The Competitive Pistol Shop
The Custom Shop
The Gun Shop
The Gun Works
The Orvis Co.
The Robar Co., Inc.
The Swampfire Shop
(See Peterson Gun Shop, Inc.)
Theis, Terry
Thurston Sports, Inc.
Time Precision
Tom's Gun Repair, Thomas G. Ivanoff
Tom's Gunshop
Trevallion Gunstocks
Trulock Tool
Tucker, James C.
Turnbull Restoration, Doug
Upper Missouri Trading Co.
Van Horn, Gil
Van Patten, J. W.
Van's Gunsmith Service
Vest, John
Vic's Gun Refinishing
Virgin Valley Custom Guns
Volquartsen Custom Ltd.
Walker Arms Co., Inc.
Wallace, Terry
Wasmundt, Jim
Wayne E. Schwartz Custom Guns
Weatherby, Inc.
Weber & Markin Custom Gunsmiths
Weems, Cecil
Werth, T. W.
Wessinger Custom Guns & Engraving
Western Design
(See Alpha Gunsmith Division)
Westley Richards & Co. Ltd.
Westwind Rifles, Inc., David S.
Sullivan
White Barn Wor
White Rifles, Inc.
Wichita Arms, Inc.
Wiebe, Duane
Wild West Guns
William E. Phillips Firearms
Williams Gun Sight Co.
Williams Shootin' Iron Service, The
Lynx-Line
Williamson Precision Gunsmithing
Wilson Combat
Winter, Robert M.
Wise Guns, Dale
Wiseman and Co., Bill
Wood, Frank (See Classic Guns, Inc.)
Working Guns
Wright's Gunstock Blanks
Yankee Gunsmith "Just Glock's"
Zeeryp, Russ

CUSTOM METALSMITH

A&W Repair
Ackerman & Co.
Ahlman Guns
Alaskan Silversmith, The
Aldis Gunsmithing & Shooting Supply
Alpha Precision, Inc.
Amrine's Gun Shop
Answer Products Co.
Antique Arms Co.
Artistry in Wood
Baron Technology
Barrel & Gunworks
Bear Mountain Gun & Tool
Behlert Precision, Inc.
Beitzinger, George
Bengtson Arms Co., L.
Bill Adair Custom Shop
Billings Gunsmiths
Billingsley & Brownell

Bob Rogers Gunsmithing
Bowen Classic Arms Corp.
Brace, Larry D.
Briganti, A.J.
Broad Creek Rifle Works, Ltd.
Brown Precision, Inc.
Buckhorn Gun Works
Bull Mountain Rifle Co.
Bullberry Barrel Works, Ltd.
Carter's Gun Shop
Caywood, Shane J.
Checkmate Refinishing
Cleland's Outdoor World, Inc
Colonial Repair
Colorado Gunsmithing Academy
Craftguard
Crandall Tool & Machine Co.
Cullity Restoration
Custom Single Shot Rifles
D&D Gunsmiths, Ltd.
D&H Precision Tooling
D'Arcy Echols & Co.
Dave's Gun Shop
Delorge, Ed
DGS, Inc., Dale A. Storey
Diezt Gun Shop & Range, Inc.
Dillott Gunsmithing, Inc.
Don Klein Custom Guns
Duane's Gun Repair
(See DGR Custom Rifles)
Duncan's Gun Works, Inc.
Erhardt, Dennis
Eversull Co., Inc.
Ferris Firearms
Fisher, Jerry A.
Forster, Larry L.
Forthofer's Gunsmithing &
Knifemaking
Fred F. Wells/Wells Sport Store
Fullmer, Geo. M.
Genecco Gun Works
Gentry Custom LLC
Grace, Charles E.
Grayback Wildcats
Graybill's Gun Shop
Green, Roger M.
Gunsmithing Ltd.
Hamilton, Alex B.
(See Ten-Ring Precision, Inc.)
Harry Lawson Co.
Hartmann & Weiss GmbH
Harwood, Jack O.
Hecht, Hubert J., Waffen-Hecht
Heilmann, Stephen
High Precision
Highline Machine Co.
Hiptmayer, Armurier
Hiptmayer, Klaus
Hoag, James W.
Holland's Gunsmithing
Island Pond Gun Shop
Ivanoff, Thomas G.
(See Tom's Gun Repair)
J J Roberts Firearm Engraver
J&S Heat Treat
J.J. Roberts / Engraver
Jamison's Forge Works
Jay McCament Custom Gunmaker
Jeffredo Gunsight
KDF, Inc.
Ken Eyster Heritage Gunsmiths, Inc.
Ken Starnes Gunmaker
Kilham & Co.
Kleinendorst, K. W.
Lampert, Ron
LaRocca Gun Works
Larry Lyons Gunworks
Lawson Co., Harry
Les Baer Custom, Inc.
List Precision Engineering
Lock's Philadelphia Gun Exchange
Mahovsky's Metalife
Makinson, Nicholas

Mandall Shooting Supplies Inc.
Mazur Restoration, Pete
McCann Industries
Mid-America Recreation, Inc.
Miller Arms, Inc.
Morrison Custom Rifles, J. W.
Morrow, Bud
Mullis Guncraft
Nelson's Custom Guns, Inc.
Nettstad Gun Works
New England Custom Gun Service
Nicholson Custom
Nitex Gun Shop
Noreen, Peter H.
Nu-Line Guns, Inc.
Olson, Vic
Ozark Gun Works
P.S.M.G. Gun Co.
Pagel Gun Works, Inc.
Parker & Sons Shooting Supply
Parker Gun Finishes
Pasadena Gun Center
Penrod Precision
Pete Mazur Restoration
Precision Specialties
Quality Custom Firearms
R.A. Wells Custom Gunsmith
Rice, Keith
(See White Rock Tool & Die)
Robert Valade Engraving
Robinson, Don
Rocky Mountain Arms, Inc.
Romain's Custom Guns, Inc.
Ron Frank Custom Classic Arms
Score High Gunsmithing
Simmons Gun Repair, Inc.
Singletary, Kent
Skeoch, Brian R.
Sklyan's Machine Shop
Small Arms Specialists
Smith, Art
Smith, Sharmon
Snapp's Gunshop
Spencer Reblue Service
Spencer's Rifle Barrels, Inc.
Sportsmen's Exchange & Western
Gun Traders, Inc.
SSK Industries
Steffens, Ron
Stiles Custom Guns
Taylor & Robbins
Ten-Ring Precision, Inc.
The A.W. Peterson Gun Shop, Inc.
The Custom Shop
The Gun Shop
The Robar Co., Inc.
Tom's Gun Repair, Thomas G. Ivanoff
Turnbull Restoration, Doug
Van Horn, Gil
Van Patten, J. W.
Vic's Gun Refinishing
Waldron, Herman
Wallace, Terry
Weber & Markin Custom Gunsmiths
Werth, T. W.
Wessinger Custom Guns & Engraving
White Rock Tool & Die
Wiebe, Duane
Wild West Guns
Williams Shootin' Iron Service, The
Lynx-Line
Williamson Precision Gunsmithing
Winter, Robert M.
Wise Guns, Dale
Wood, Frank (See Classic Guns, Inc.)
Wright's Gunstock Blanks
Zufall, Joseph F.

DECOYS

Ad Hominem
Baekgaard Ltd.
Belding's Custom Gun Shop

Bill Russ Trading Post
Boyd's Gunstock Industries, Inc.
Carry-Lite, Inc.
Farm Form Decoys, Inc.
Feather, Flex Decoys
Flambeau, Inc.
G&H Decoys, Inc.
Grand Slam Hunting Products
Herter's Manufacturing Inc.
Klingler Woodcarving
Kolpin Outdoors, Inc.
L.L. Bean, Inc.
Molin Industries, Tru-Nord Division
Murphy, R.R. Co., Inc.
Original Deer Formula Co., The
Quack Decoy & Sporting Clays
Sports Innovations, Inc.
Tanglefree Industries
The A.W. Peterson Gun Shop, Inc.
Woods Wise Products

DIE ACCESSORIES, METALLIC

High Precision
King & Co.
MarMik, Inc.
Rapine Bullet Mould Mfg. Co.
Redding Reloading Equipment
Royal Arms Gunstocks
Sport Flite Manufacturing Co.
The A.W. Peterson Gun Shop, Inc.
Wolf's Western Traders

DIES, METALLIC

4-D Custom Die Co.
Badger Creek Studio
Buffalo Arms Co.
Competitor Corp., Inc.
Dakota Arms, Inc.
Dillon Precision Products, Inc.
Dixie Gun Works
Fremont Tool Works
Goodwin's Pawn Shop
Gruning Precision, Inc.
Jones Custom Products, Neil A.
King & Co.
Lee Precision, Inc.
Montana Precision Swaging
Neil A. Jones Custom Products
Ozark Gun Works
PWM Sales Ltd.
Rapine Bullet Mould Mfg. Co.
RCBS Operations/ATK
RCBS/ATK
Redding Reloading Equipment
Romain's Custom Guns, Inc.
Spencer's Rifle Barrels, Inc.
Sport Flite Manufacturing Co.
SSK Industries
The A.W. Peterson Gun Shop, Inc.
Vega Tool Co.
Wolf's Western Traders

DIES, SHOTSHELL

Goodwin's Pawn Shop
Hollywood Engineering
Lee Precision, Inc.
MEC, Inc.
The A.W. Peterson Gun Shop, Inc.

DIES, SWAGE

4-D Custom Die Co.
Bullet Swaging Supply, Inc.
Competitor Corp., Inc.
Corbin Mfg. & Supply, Inc.
D.L. Unmussig Bullets
Goodwin's Pawn Shop

Montana Precision Swaging
Sport Flite Manufacturing Co.
The A.W. Peterson Gun Shop, Inc.

ENGRAVER, ENGRAVING TOOLS

Ackerman & Co.
Adair Custom Shop, Bill
Ahlman Guns
Alaskan Silversmith, The
Alfano, Sam
Allard, Gary/Creek Side Metal &
Woodcrafters
Allen Firearm Engraving
Altamont Co.
American Pioneer Video
Baron Technology
Barracough, John K.
Bates Engraving, Billy
Bill Adair Custom Shop
Billy Bates Engraving
Boessler, Erich
Brooker, Dennis
Buchsenmachermeister
Churchill, Winston G.
Clark Firearms Engraving
Collings, Ronald
Creek Side Metal & Woodcrafters
Cullity Restoration
Cupp, Alana, Custom Engraver
Dayton Traister
Delorge, Ed
Dolbare, Elizabeth
Drain, Mark
Dremel Mfg. Co.
Dubber, Michael W.
Engraving Artistry
Engraving Only
Eversull Co., Inc.
Firearms Engraver's Guild of America
Forty-Five Ranch Enterprises
Fountain Precision
Francotte & Cie S.A. Auguste
Frank Knives
Fred F. Wells/Wells Sport Store
Gary Reeder Custom Guns
Gene's Custom Guns
George Madis Winchester Consultants
Glimm's Custom Gun Engraving
Golden Age Arms Co.
Gourmet Artistic Engraving
Grant, Howard V.
GRS / Glendo Corp.
Gurney, F. R.
Half Moon Rifle Shop
Harris Hand Engraving, Paul A.
Harwood, Jack O.
Hawken Shop, The
(See Dayton Traister)
Hiptmayer, Armurier
Hiptmayer, Heidemarie
Hofer Jagdwaffen, P.
Ingle, Ralph W.
J J Roberts Firearm Engraver
J.J. Roberts / Engraver
Jantz Supply
Jeff Flannery Engraving
Jim Blair Engraving
John J. Adams & Son Engravers
Kane, Edward
Kehr, Roger
Kelly, Lance
Ken Eyster Heritage Gunsmiths, Inc.
Kenneth W. Warren Engraver
Klingler Woodcarving
Larry Lyons Gunworks
LeFever Arms Co., Inc.
Leibowitz, Leonard
Lindsay Engraving & Tools
Little Trees Ramble
(See Scott Pilkington)
McCombs, Leo

PRODUCT & SERVICE DIRECTORY

McDonald, Dennis
McKenzie, Lynton
Mele, Frank
Mid-America Recreation, Inc.
Nelson, Gary K.
New Orleans Jewelers Supply Co.
Pedersen, C. R.
Pedersen, Rex C.
Peter Hale/Engraver
Pilgrim Pewter, Inc.
(See Bell Originals Inc. Sid)
Pilkington, Scott
(See Little Trees Ramble)
Piquette's Custom Engraving
Potts, Wayne E.
Quality Custom Firearms
Rabeno, Martin
Ralph Bone Engraving
Reed, Dave
Reno, Wayne
Riggs, Jim
Robert Evans Engraving
Robert Valade Engraving
Robinson, Don
Rohner, Hans
Rohner, John
Rosser, Bob
Rundell's Gun Shop
Sam Welch Gun Engraving
Sampson, Roger
Schiffman, Mike
Sheffield Knifemakers Supply, Inc.
Sherwood, George
Singletary, Kent
Smith, Mark A.
Smith, Ron
Smokey Valley Rifles
SSK Industries
Steve Kamyk Engraver
Swanson, Mark
The Gun Room
The NgraveR Co.
Theis, Terry
Thiewes, George W.
Thirion Gun Engraving, Denise
Viramontez Engraving
Vorhes, David
W.E. Brownell Checkering Tools
Wagoner, Vernon G.
Wallace, Terry
Warenski Engraving
Weber & Markin Custom Gunsmiths
Wells, Rachel
Wessinger Custom Guns & Engraving
Ziegel Engineering

GAME CALLS

African Import Co.
Bill Russ Trading Post
Bostick Wildlife Calls, Inc.
Cedar Hill Game Calls, Inc.
Crit'R Call (See Rocky Mountain
Wildlife Products)
Custom Calls
D-Boone Ent., Inc.
Deepeeka Exports Pvt. Ltd.
Dr. O's Products Ltd.
Duck Call Specialists
Faulhaber Wildlocker
Faulk's Game Call Co., Inc.
Fibron Products, Inc.
Flambeau, Inc.
Glynn Scobey Duck & Goose Calls
Goodwin's Pawn Shop
Grand Slam Hunting Products
Green Head Game Call Co.
Hally Caller
Haydel's Game Calls, Inc.
Herter's Manufacturing Inc.
Hunter's Specialties Inc.
Keowee Game Calls
Kolpin Outdoors, Inc.

Lohman Mfg. Co., Inc.
Mallardtone Game Calls
Moss Double Tone, Inc.
Oakman Turkey Calls
Original Deer Formula Co., The
Outdoor Sports Headquarters, Inc.
Pete Rickard, Inc.
Philip S. Olt Co.
Primos Hunting Calls
Protektor Model
Quaker Boy, Inc.
Rocky Mountain Wildlife Products
Seery Game Calls
Sports Innovations, Inc.
Stewart Game Calls, Inc., Johnny
Sure-Shot Game Calls, Inc.
Tanglefree Industries
The A.W. Peterson Gun Shop, Inc.
Tinks & Ben Lee Hunting Products
(See Wellington)
Tink's Safariland Hunting Corp.
Wellington Outdoors
Wilderness Sound Products Ltd.
Woods Wise Products
Wyant's Outdoor Products, Inc.

GAUGES, CALIPERS & MICROMETERS

Blue Ridge Machinery & Tools, Inc.
Goodwin's Pawn Shop
Gruning Precision, Inc.
Huntington Die Specialties
K&M Services
King & Co.
Peter Dyson & Son Ltd.
Spencer's Rifle Barrels, Inc.
Starrett Co., L. S.
Stoney Point Products, Inc.

GUN PARTS, U.S. & FOREIGN

"Su-Press-On", Inc.
A.A. Arms, Inc.
Ahlman Guns
Amherst Arms
Antique Arms Co.
Armscorp USA, Inc.
Auto-Ordinance Corp.
B.A.C.
Badger Shooters Supply, Inc.
Ballard Rifle & Cartridge Co., LLC
Bar-Sto Precision Machine
Bear Mountain Gun & Tool
Billings Gunsmiths
Bill's Gun Repair
Bob's Gun Shop
Briese Bullet Co., Inc.
Brown Products, Inc., Ed
Brownells, Inc.
Bryan & Assoc.
Buffer Technologies
Cambos Outdoorsman
Cambos Outdoorsman
Cape Outfitters
Caspian Arms, Ltd.
CBC-BRAZIL
Century International Arms, Inc.
Chicasaw Gun Works
Chip McCormick Corp.
Cole's Gun Works
Colonial Arms, Inc.
Colonial Repair
Colt's Mfg. Co., Inc.
Custom Riflestocks, Inc., Michael M.
Kokolus
Cylinder & Slide, Inc., William R.
Laughridge
Dan Wesson Firearms
David R. Chicoine
Delta Arms Ltd.

DGR Custom Rifles
Dibble, Derek A.
Dixie Gun Works
Duane's Gun Repair
(See DGR Custom Rifles)
Duffy, Charles E.
(See Guns Antique & Modern DBA)
E.A.A. Corp.
Elliott, Inc., G. W.
EMF Co., Inc.
Enquix Import-Export
Entre'prise Arms, Inc.
European American Armory Corp.
(See E.A.A. Corp.)
Evolution Gun Works, Inc.
Falcon Industries, Inc.
Federal Arms Corp. of America
Felk Pistols, Inc.
Fleming Firearms
Fulton Armory
Gentry Custom LLC
Glimm's Custom Gun Engraving
Goodwin's Pawn Shop
Granite Mountain Arms, Inc.
Greider Precision
Gre-Tan Rifles
Groenewold, John
Gun Hunter Books
(See Gun Hunter Trading Co.)
Gun Hunter Trading Co.
Guns Antique & Modern DBA / Charles
E. Duffy
Gunsmithing, Inc.
Hastings
Hawken Shop, The
(See Dayton Traister)
High Performance International
High Standard Mfg. Co./F.I., Inc.
I.S.S.
Irwin, Campbell H.
Jack First, Inc.
Jamison's Forge Works
Jonathan Arthur Ciener, Inc.
Kimber of America, Inc.
Knight's Mfg. Co.
Krico Deutschland GmbH
LaFrance Specialties
Lampert, Ron
LaPrade
Laughridge, William R.
(See Cylinder & Slide Inc.)
Leapers, Inc.
List Precision Engineering
Lodewick, Walter H.
Logdewood Mfg.
Lomont Precision Bullets
Long, George F.
Mandall Shooting Supplies Inc.
Markell, Inc.
Martin's Gun Shop
MCS, Inc.
Mercuria Ltd.
Mid-America Recreation, Inc.
Morrow, Bud
Mo's Competitor Supplies
(See MCS, Inc.)
North Star West
Northwest Arms
Nu-Line Guns, Inc.
Numrich Gun Parts Corporation
Nygord Precision Products, Inc.
Olathe Gun Shop
Olympic Arms Inc.
P.S.M.G. Gun Co.
Pacific Armament Corp
Perazone-Gunsmith, Brian
Performance Specialists
Peter Dyson & Son Ltd.
Peterson Gun Shop, Inc., A.W.
Ranch Products
Randco UK
Ravell Ltd.
Retting, Inc., Martin B.

Romain's Custom Guns, Inc.
Ruger (See Sturm, Ruger & Co., Inc.)
Rutgers Book Center
S&S Firearms
Sabatti SPA
Samco Global Arms, Inc.
Sarco, Inc.
Scherer Supplies
Shockley, Harold H.
Shootin' Shack
Silver Ridge Gun Shop
(See Goodwin, Fred)
Simmons Gun Repair, Inc.
Smires, C. L.
Smith & Wesson
Southern Ammunition Co., Inc.
Sportsmen's Exchange & Western
Gun Traders, Inc.
Springfield Sporters, Inc.
Springfield, Inc.
Steyr Mannlicher GmbH & Co KG
STI International
Strayer-Voigt, Inc.
Sturm Ruger & Co. Inc.
Sunny Hill Enterprises, Inc.
T&S Industries, Inc.
Tank's Rifle Shop
Tarnheim Supply Co., Inc.
Terry K. Kopp Professional
Gunsmithing
The A.W. Peterson Gun Shop, Inc.
The Gun Room Press
The Gun Shop
The Gun Works
The Southern Armory
The Swampfire Shop
(See Peterson Gun Shop, Inc.)
Tom Forrest, Inc.
VAM Distribution Co. LLC
Vektor USA
W. Waller & Son, Inc.
W.C. Wolff Co.
Walker Arms Co., Inc.
Wescombe, Bill (See North Star West)
Wild West Guns
Williams Mfg. of Oregon
Winchester Sutler, Inc., The
Wise Guns, Dale
Wisners, Inc.

GUNS & GUN PARTS, REPLICA & ANTIQUE

Ackerman & Co.
Ahlman Guns
Armi San Paolo
Auto-Ordinance Corp.
Ballard Rifle & Cartridge Co., LLC
Bear Mountain Gun & Tool
Billings Gunsmiths
Bob's Gun Shop
Buffalo Arms Co.
Cache La Poudre Rifleworks
Campbell, Dick
Cash Mfg. Co., Inc.
CBC-BRAZIL
CCL Security Products
Chambers Flintlocks Ltd., Jim
Chicasaw Gun Works
Cimarron F.A. Co.
Cogar's Gunsmithing
Cole's Gun Works
Colonial Repair
Colt Blackpowder Arms Co.
Colt's Mfg. Co., Inc.
Custom Riflestocks, Inc., Michael M.
Kokolus
Custom Single Shot Rifles
David R. Chicoine
Delhi Gun House
Delta Arms Ltd.
Dilliot Gunsmithing, Inc.
Dixie Gun Works

Dixon Muzzleloading Shop, Inc.
Ed's Gun House
Euroarms of America, Inc.
Flintlocks, Etc.
Getz Barrel Company
Golden Age Arms Co.
Goodwin's Pawn Shop
Groenewold, John
Gun Hunter Books
(See Gun Hunter Trading Co.)
Gun Hunter Trading Co.
Hastings
Heidenstrom Bullets
Hunkeler, A.
(See Buckskin Machine Works)
IAR Inc.
Imperial Miniature Armory
Ithaca Classic Doubles
Jack First, Inc.
Ken Starnes Gunmaker
L&R Lock Co.
Leonard Day
List Precision Engineering
Lock's Philadelphia Gun Exchange
Logdewood Mfg.
Lone Star Rifle Company
Lucas, Edward E
Mandall Shooting Supplies Inc.
Martin's Gun Shop
Mathews Gun Shop & Gunsmithing,
Inc.
Mid-America Recreation, Inc.
Mountain State Muzzleloading
Supplies, Inc.
Mowrey Gun Works
Navy Arms Company
Neumann GmbH
North Star West
Nu-Line Guns, Inc.
Numrich Gun Parts Corporation
Olathe Gun Shop
Parker & Sons Shooting Supply
Pasadena Gun Center
Pecatonica River Longrifle
PEM's Mfg. Co.
Peter Dyson & Son Ltd.
Pony Express Sport Shop
R.A. Wells Custom Gunsmith
Randco UK
Ravell Ltd.
Retting, Inc., Martin B.
Rutgers Book Center
S&S Firearms
Samco Global Arms, Inc.
Sarco, Inc.
Shootin' Shack
Silver Ridge Gun Shop
(See Goodwin, Fred)
Simmons Gun Repair, Inc.
Sklyan's Machine Shop
Southern Ammunition Co., Inc.
Starr Trading Co., Jedediah
Stott's Creek Armory, Inc.
Taylor's & Co., Inc.
Tennessee Valley Mfg.
The A.W. Peterson Gun Shop, Inc.
The Gun Room Press
The Gun Works
Tiger-Hunt Gunstocks
Turnbull Restoration, Doug
Upper Missouri Trading Co.
Vintage Industries, Inc.
VTI Gun Parts
Weber & Markin Custom Gunsmiths
Wescombe, Bill (See North Star West)
Whitestone Lumber Corp.
Winchester Sutler, Inc., The

GUNS, AIR

Air Arms
Air Rifle Specialists
Air Venture Airguns

PRODUCT & SERVICE DIRECTORY

AirForce Airguns
Airrow
Allred Bullet Co.
Arms Corporation of the Philippines
BEC, Inc.
Beeman Precision Airguns
Benjamin/Sheridan Co., Crosman
Brass Eagle, Inc.
Brocock Ltd.
Bryan & Assoc.
BSA Guns Ltd.
Compassco, Ltd.
Component Concepts, Inc.
Conetrol Scope Mounts
Crosman Airguns
Daisy Outdoor Products
Daystate Ltd.
Domino
Dynamit Nobel-RWS, Inc.
Effebe SNC-Dr. Franco Beretta
European American Armory Corp.
(See E.A.A. Corp.)
Feinwerkbau Westinger & Altenburger
Gamo USA, Inc.
Gaucher Armes, S.A.
Great Lakes Airguns
Groenewold, John
Hammerli Service-Precision Mac
I.S.S.
IAR Inc.
J.G. Anschutz GmbH & Co. KG
Labanu, Inc.
Leapers, Inc.
List Precision Engineering
Mac-1 Airgun Distributors
Marksman Products
Maryland Paintball Supply
Mercuria Ltd.
Nationwide Airgun Repair
Nygord Precision Products, Inc.
Olympic Arms Inc.
Pardini Armi Srl
Precision Airgun Sales, Inc.
Precision Sales International, Inc.
Ripley Rifles
Robinson, Don
RWS (See U.S. Importer-Dynamit
Nobel-RWS, Inc.)
Safari Arms/Schuetzen Pistol Works
Savage Arms, Inc.
Smart Parts
Smith & Wesson
Steyr Mannlicher GmbH & Co KG
Stone Enterprises Ltd.
The A.W. Peterson Gun Shop, Inc.
The Gun Room Press
The Park Rifle Co., Ltd.
Tippman Pneumatics, Inc.
Tristar Sporting Arms, Ltd.
Trooper Walsh
UltraSport Arms, Inc.
Visible Impact Targets
Walther GmbH, Carl
Webley and Scott Ltd.
Weihrauch KG, Hermann
Whiscombe (See U.S. Importer-
Pelairé Products)

GUNS, FOREIGN MANUFACTURER U.S. IMPORTER

Accuracy International Precision Rifles
(See U.S.)
Accuracy Int'l. North America, Inc.
Ad Hominem
Air Arms
Armas Garbi, S.A.
Armas Keman S. A.
(See U.S. Importers)
Armi Perazzi S.P.A.
Armi San Marco (See U.S. Importers-
Taylor's & Co.)

Armi Sport (See U.S. Importers-Cape
Outfitters)
Arms Corporation of the Philippines
Armscorp USA, Inc.
Arrieta S.L.
Astra Sport, S.A.
Atamec-Bretton
AYA (See U.S. Importer-New England
Custom Gun Serv)
B.A.C.
B.C. Outdoors
BEC, Inc.
Benelli Armi S.P.A.
Benelli USA Corp
Beretta S.P.A., Pietro
Beretta U.S.A. Corp.
Bernardelli, Vincenzo
Bersa S.A.
Bertuzzi (See U.S. Importer-New
England Arms Co)
Bill Hanus Birdguns
Blaser Jagdwaffen GmbH
Borovnik KG, Ludwig
Bosis (See U.S. Importer-New England
Arms Co.)
Brenneke GmbH
Browning Arms Co.
Bryan & Assoc.
BSA Guns Ltd.
Cabanas (See U.S. Importer-Mandall
Shooting Supply)
Cabela's
Cape Outfitters
CBC
Champlin Firearms, Inc.
Chapuis Armes
Churchill
(See U.S. Importer-Ellett Bros.)
Collector's Armoury, Ltd.
Conetrol Scope Mounts
Cosmi Americo & Figlio S.N.C.
Crucelegui, Hermanos (See U.S.
Importer-Mandall)
Cubic Shot Shell Co., Inc.
Dakota
(See U.S. Importer-EMF Co., Inc.)
Dakota Arms, Inc.
Daly, Charles/KBI
Davide Pedersoli and Co.
Domino
Dumoulin, Ernest
Eagle Imports, Inc.
EAW (See U.S. Importer-New England
Custom Gun Serv)
Ed's Gun House
Effebe SNC-Dr. Franco Beretta
EMF Co., Inc.
Eversull Co., Inc.
F.A.I.R.
Fabarm S.p.A.
FEG
Feinwerkbau Westinger & Altenburger
Felk Pistols, Inc.
FERLIB
Fiocchi Munizioni S.P.A.
(See U.S. Importer-Fiocch)
Firearms Co. Ltd. / Alpine
(See U.S. Importer-Mandall
Firearms International
Flintlocks, Etc.
Galaxy Imports Ltd., Inc.
Gamba S.p.A. Societa Armi Bresciane
Srl
Gamo (See U.S. Importers-Arms
United Corp, Daisy M)
Gaucher Armes, S.A.
Gibbs Rifle Co., Inc.
Glock GmbH
Goergen's Gun Shop, Inc.
Griffin & Howe, Inc.
Griffin & Howe, Inc.
Grulla Armes

Hammerli Ltd.
Hammerli USA
Hartford
(See U.S. Importer-EMF Co. Inc.)
Hartmann & Weiss GmbH
Heckler & Koch, Inc.
Hege Jagd-u. Sporthandels GmbH
Helwan (See U.S. Importer-Interarms)
Holland & Holland Ltd.
Howa Machinery, Ltd.
I.A.B. (See U.S. Importer-Taylor's &
Co. Inc.)
IAR Inc.
IGA (See U.S. Importer-Stoeger
Industries)
Imperial Magnum Corp.
Imperial Miniature Armory
Import Sports Inc.
Inter Ordnance of America LP
Intrac Arms International
J.G. Anschutz GmbH & Co. KG
JSL Ltd. (See U.S. Importer-Specialty
Shooters)
K. Eversull Co., Inc.
Kimar (See U.S. Importer-IAR, Inc)
Korth Germany GmbH
Krico Deutschland GmbH
Kriehoff Gun Co., H.
Lakefield Arms Ltd.
(See Savage Arms, Inc.)
Lapua Ltd.
Laurona Armas Eibar, S.A.L.
Lebeau-Courally
Lever Arms Service Ltd.
Llama Gabilondo Y Cia
Lomont Precision Bullets
London Guns Ltd.
Mandall Shooting Supplies Inc.
Marocchi F.lli S.p.A
Mauser Werke Oberndorf
Waffensysteme GmbH
McCann Industries
MEC-Gar S.R.L.
Merkel
Mitchell's Mauser
Morini (See U.S. Importers-Mandall
Shooting Supply)
New England Custom Gun Service
New SKB Arms Co.
Norica, Avnda Otaola
Norinco
Norma Precision AB
(See U.S. Importers-Dynamit)
Northwest Arms
Nygord Precision Products, Inc.
OK Weber, Inc.
Para-Ordnance Mfg., Inc.
Pardini Armi Srl
Perugini Visini & Co. S.r.l.
Peters Stahl GmbH
Pietta (See U.S. Importers-Navy Arms
& Co, Taylor's)
Piotti (See U.S. Importer-Moore & Co.,
Wm. Larkin)
PMC/Eldorado Cartridge Corp.
Powell & Son (Gunmakers) Ltd.,
William
Prairie Gun Works
Ramon B. Gonzalez Guns
Rizzini F.lli (See U.S. Importers-Moore
& C England)
Rizzini SNC
Robinson Armament Co.
Rossi Firearms
Rotwell Compe
Rutten (See U.S. Importer-Labanu Inc)
RWS (See U.S. Importer-Dynamit
Nobel-RWS, Inc.)
S.A.R.L. G. Granger
S.I.A.C.E. (See U.S. Importer-IAR Inc)
Sabatti SPA
Sako Ltd (See U.S. Importer-Stoeger
Industries)

San Marco (See U.S. Importers-Cape
Outfitters-EMF)
Sarsilmaz Shotguns - Turkey
(See B.C. Outdoors)
Sauer (See U.S. Importers-Paul Co.,
The, Sigarms I)
Savage Arms (Canada), Inc.
SIG
Sigarms, Inc.
SIG-Sauer
(See U.S. Importer-Sigarms Inc.)
SKB Shotguns
Small Arms Specialists
Societa Armi Bresciane Srl (See U.S.
Importer-Cape)
Sphinx Systems Ltd.
Springfield Armory
Springfield, Inc.
Starr Trading Co., Jedediah
Steyr Mannlicher GmbH & Co KG
T.F.C. S.p.A.
Tanfoglio Fratelli S.r.l.
Tanner (See U.S. Importer-Mandall
Shooting Supply)
Taurus International Firearms
(See U.S. Importer)
Taurus S.A. Forjas
Taylor's & Co., Inc.
Techno Arms (See U.S. Importer-
Auto-Ordnance Corp
The A.W. Peterson Gun Shop, Inc.
Tikka (See U.S. Importer-Stoeger
Industries)
TOZ (See U.S. Importer-Nygord
Precision Products)
Ugartechea S. A., Ignacio
Ultralux (See U.S. Importer-Keng's
Firearms)
Unique/M.A.P.F.
Valtro USA, Inc.
Verney-Carron
Voere-KGH GmbH
Walther GmbH, Carl
Webley and Scott Ltd.
Weihrauch KG, Hermann
Westley Richards & Co. Ltd.
Whiscombe (See U.S. Importer-
Pelairé Products)
Wolf (See J.R. Distributing)
Yankee Gunsmith "Just Glocks"
Zabala Hermanos S.A.

GUNS, FOREIGN- IMPORTER

Accuracy International
AcuSport Corporation
Air Rifle Specialists
Auto-Ordnance Corp.
B.A.C.
B.C. Outdoors
Bell's Legendary Country Wear
Benelli USA Corp
Big Bear Arms & Sporting Goods, Inc.
Bill Hanus Birdguns
Bridgeman Products
British Sporting Arms
Browning Arms Co.
Cape Outfitters
Century International Arms, Inc.
Champion Shooters' Supply
Champion's Choice, Inc.
Chapuis USA
Cimarron F.A. Co.
CVA
CZ USA
Dixie Gun Works
Dynamit Nobel-RWS, Inc.
E&L Mfg., Inc.
E.A.A. Corp.
Eagle Imports, Inc.
Ellett Bros.
EMF Co., Inc.

Euroarms of America, Inc.
Eversull Co., Inc.
Fiocchi of America, Inc.
Flintlocks, Etc.
Franzen International, Inc.
(See U.S. Importer)
G.U., Inc. (See U.S. Importer for New
SKB Arms Co.)
Galaxy Imports Ltd., Inc.
Gamba, USA
Gamo USA, Inc.
Giacomo Sporting USA
Glock, Inc.
GSI, Inc.
Guncraft Books
(See Guncraft Sports, Inc.)
Guncraft Sports, Inc.
Gunsite Training Center
Hammerli USA
I.S.S.
IAR Inc.
Imperial Magnum Corp.
Imperial Miniature Armory
Import Sports Inc.
Intrac Arms International
K. Eversull Co., Inc.
K.B.I. Inc.
Kemen America
Keng's Firearms Specialty, Inc./US
Tactical Systems
Kriehoff International, Inc.
Labanu, Inc.
Legacy Sports International
Lion Country Supply
London Guns Ltd.
Magnum Research, Inc.
Marx, Harry
(See U.S. Importer for FERLIB)
MCS, Inc.
MEC-Gar U.S.A., Inc.
Mitchell Mfg. Corp.
Navy Arms Company
New England Arms Co.
Nu-Line Guns, Inc.
Nygord Precision Products, Inc.
OK Weber, Inc.
P.S.M.G. Gun Co.
Para-Ordnance, Inc.
Pelairé Products
Perazone-Gunsmith, Brian
Perazzi U.S.A. Inc.
Powell Agency, William
Precision Sales International, Inc.
Rocky Mountain Armoury
S.D. Meacham
Safari Arms/Schuetzen Pistol Works
Samco Global Arms, Inc.
Savage Arms, Inc.
Scott Fine Guns Inc., Thad
Sigarms, Inc.
SKB Shotguns
Small Arms Specialists
Southern Ammunition Co., Inc.
Specialty Shooters Supply, Inc.
Springfield, Inc.
Stoeger Industries
Stone Enterprises Ltd.
Swarovski Optik North America Ltd.
Taurus Firearms, Inc.
Taylor's & Co., Inc.
The A.W. Peterson Gun Shop, Inc.
The Gun Shop
The Orvis Co.
The Paul Co.
Track of the Wolf, Inc.
Traditions Performance Firearms
Tristar Sporting Arms, Ltd.
Trooper Walsh
U.S. Importer-Wm. Larkin Moore
VAM Distribution Co. LLC
Vektor USA
VTI Gun Parts

PRODUCT & SERVICE DIRECTORY

Westley Richards Agency USA
(See U.S. Importer)
Wingshooting Adventures

GUNS, SURPLUS, PARTS & AMMUNITION

Ahlman Guns
Alpha 1 Drop Zone
Armcorp USA, Inc.
Arundel Arms & Ammunition, Inc., A.
B.A.C.
Bob's Gun Shop
Cambos Outdoorsman
Century International Arms, Inc.
Cole's Gun Works
Conetrol Scope Mounts
Delta Arms Ltd.
Ed's Gun House
Fleming Firearms
Fulton Armory
Garcia National Gun Traders, Inc.
Goodwin's Pawn Shop
Gun City
Gun Hunter Books
(See Gun Hunter Trading Co.)
Gun Hunter Trading Co.
Hank's Gun Shop
Hege Jagd-u. Sporthandels GmbH
Jackalope Gun Shop
Ken Starnes Gunmaker
LaRocca Gun Works
Lever Arms Service Ltd.
Log Cabin Sport Shop
Martin's Gun Shop
Navy Arms Company
Nevada Pistol Academy, Inc.
Northwest Arms
Numrich Gun Parts Corporation
Oil Rod and Gun Shop
Olathe Gun Shop
Paragon Sales & Services, Inc.
Pasadena Gun Center
Power Plus Enterprises, Inc.
Ravell Ltd.
Retting, Inc., Martin B.
Rutgers Book Center
Samco Global Arms, Inc.
Sarco, Inc.
Shootin' Shack
Silver Ridge Gun Shop
(See Goodwin, Fred)
Simmons Gun Repair, Inc.
Sportsmen's Exchange & Western
Gun Traders, Inc.
Springfield Sporters, Inc.
T.F.C. S.p.A.
Tarnhelm Supply Co., Inc.
The A.W. Peterson Gun Shop, Inc.
The Gun Room Press
Thurston Sports, Inc.
Whitestone Lumber Corp.
Williams Shootin' Iron Service, The
Lynx-Line

GUNS, U.S. MADE

3-Ten Corp.
A.A. Arms, Inc.
Accu-Tek
Ace Custom 45's, Inc.
Acra-Bond Laminates
Ad Hominem
Airrow
Allred Bullet Co.
American Derringer Corp.
AR-7 Industries, LLC
ArmaLite, Inc.
Armcorp USA, Inc.
Arundel Arms & Ammunition, Inc., A.
A-Square Co.
Austin & Halleck, Inc.

Autauga Arms, Inc.
Auto-Ordnance Corp.
Ballard Rifle & Cartridge Co., LLC
Barrett Firearms Manufacturer, Inc.
Bar-Sto Precision Machine
Benjamin/Sheridan Co., Crosman
Beretta S.P.A., Pietro
Beretta U.S.A. Corp.
Big Bear Arms & Sporting Goods, Inc.
Bill Russ Trading Post
Bond Arms, Inc.
Borden Ridges Rimrock Stocks
Borden Rifles Inc.
Brockman's Custom Gunsmithing
Brown Co., E. Arthur
Brown Products, Inc., Ed
Browning Arms Co.
Bryan & Assoc.
Bushmaster Firearms, Inc.
C. Sharps Arms Co. Inc./Montana
Armory
Cabela's
Calico Light Weapon Systems
Cambos Outdoorsman
Cape Outfitters
Casull Arms Corp.
CCL Security Products
Century Gun Dist. Inc.
Champlin Firearms, Inc.
Charter 2000
Cobra Enterprises, Inc.
Colt's Mfg. Co., Inc.
Competitor Corp., Inc.
Competitor Corp., Inc.
Conetrol Scope Mounts
Connecticut Shotgun Mfg. Co.
Connecticut Valley Classics
(See CVC, BPI)
Cooper Arms
Crosman Airguns
Cumberland Arms
Cumberland Mountain Arms
CVA
Daisy Outdoor Products
Dakota Arms, Inc.
Dan Wesson Firearms
Dayton Traister
Detonics USA
Dixie Gun Works
Downsizer Corp.
DS Arms, Inc.
DunLyon R&D, Inc.
Dutchman's Firearms, Inc.
E&L Mfg., Inc.
E. Arthur Brown Co.
Eagle Arms, Inc. (See ArmaLite, Inc.)
Ed Brown Products, Inc.
Emerging Technologies, Inc.
(See Laseraim Technologies, Inc.)
Entre'prise Arms, Inc.
Essex Arms
Excel Industries, Inc.
Fletcher-Bidwell, LLC.
FN Manufacturing
Freedom Arms, Inc.
Fulton Armory
Galena Industries AMT
Garcia National Gun Traders, Inc.
Gary Reeder Custom Guns
Genecco Gun Works
Gentry Custom LLC
George Hoenig, Inc.
George Madis Winchester Consultants
Gibbs Rifle Co., Inc.
Gil Hebard Guns, Inc.
Gilbert Equipment Co., Inc.
Goergen's Gun Shop, Inc.
Goodwin's Pawn Shop
Granite Mountain Arms, Inc.
Grayback Wildcats
Guncrafter Industries
H&R 1871.LLC
Hammans, Charles E.

Hammerli USA
Harrington & Richardson
(See H&R 1871, Inc.)
Hart & Son, Inc.
Hatfield Gun
Hawken Shop, The
(See Dayton Traister)
Heritage Firearms
(See Heritage Mfg., Inc.)
Heritage Manufacturing, Inc.
Hesco-Meproflight
High Precision
High Standard Mfg. Co./F.I., Inc.
Hi-Point Firearms/MKS Supply
HJS Arms, Inc.
H-S Precision, Inc.
Hutton Rifle Ranch
IAR Inc.
Imperial Miniature Armory
Israel Arms Inc.
Ithaca Classic Doubles
Ithaca Gun Company LLC
J.P. Enterprises Inc.
Jim Norman Custom Gunstocks
John Rigby & Co.
John's Custom Leather
K.B.I. Inc.
Kahr Arms
Kehr, Roger
Kelbly, Inc.
Kel-Tec CNC Industries, Inc.
Keystone Sporting Arms, Inc.
(Crickett Rifles)
Kimber of America, Inc.
Knight Rifles
Knight's Mfg. Co.
Kolar
L.A.R. Mfg., Inc.
L.W. Seecamp Co., Inc.
LaFrance Specialties
Lakefield Arms Ltd.
(See Savage Arms, Inc.)
Laseraim Technologies, Inc.
Les Baer Custom, Inc.
Lever Arms Service Ltd.
Ljutic Industries, Inc.
Lock's Philadelphia Gun Exchange
Lomont Precision Bullets
Lone Star Rifle Company
Mag-Na-Port International, Inc.
Magnum Research, Inc.
Mandall Shooting Supplies Inc.
Marlin Firearms Co.
Marshall Fish Mfg. Gunsmith Sptg. Co.
Mathews Gun Shop & Gunsmithing,
Inc.
Maverick Arms, Inc.
McBros Rifle Co.
McCann Industries
Mid-America Recreation, Inc.
Miller Arms, Inc.
MKS Supply, Inc.
(See Hi-Point Firearms)
MOA Corporation
Montana Armory, Inc.
(See C. Sharps Arms Co. Inc.)
MPI Stocks
Navy Arms Company
NCP Products, Inc.
New Ultra Light Arms, LLC
Noreen, Peter H.
North American Arms, Inc.
North Star West
Northwest Arms
Nowlin Mfg. Co.
Olympic Arms Inc.
Oregon Arms, Inc.
(See Rogue Rifle Co., Inc.)
P&M Sales & Services, LLC
Parker & Sons Shooting Supply
Parker Gun Finishes
Phillips & Rogers, Inc.
Phoenix Arms

Precision Small Arms Inc.
ProWare, Inc.
Ramon B. Gonzalez Guns
Rapine Bullet Mould Mfg. Co.
Remington Arms Co., Inc.
Rifles, Inc.
Robinson Armament Co.
Rock River Arms
Rocky Mountain Arms, Inc.
Rogue Rifle Co., Inc.
Rogue River Rifleworks
Rohrbaugh
Romain's Custom Guns, Inc.
RPM
Ruger (See Sturm, Ruger & Co., Inc.)
Safari Arms/Schuetzen Pistol Works
Savage Arms (Canada), Inc.
Schumakers Gun Shop
Searcy Enterprises
Sharps Arms Co., Inc., C.
Sigarms, Inc.
Sklyan's Machine Shop
Small Arms Specialists
Smith & Wesson
Sound Tech Silencers
Spencer's Rifle Barrels, Inc.
Springfield Armory
Springfield, Inc.
SSK Industries
STI International
Stoeger Industries
Strayer-Voigt, Inc.
Sturm Ruger & Co. Inc.
Sunny Hill Enterprises, Inc.
T&S Industries, Inc.
Taconic Firearms Ltd., Perry Lane
Tank's Rifle Shop
Tar-Hunt Custom Rifles, Inc.
Taurus Firearms, Inc.
Texas Armory (See Bond Arms, Inc.)
The A.W. Peterson Gun Shop, Inc.
The Gun Room Press
The Gun Works
Thompson/Center Arms
Time Precision
Tristar Sporting Arms, Ltd.
U.S. Fire Arms Mfg. Co., Inc.
U.S. Repeating Arms Co., Inc.
Uselton/Arms, Inc.
Visible Impact Targets
Volquartsen Custom Ltd.
Wallace, Terry
Weatherby, Inc.
Wescombe, Bill (See North Star West)
Wessinger Custom Guns & Engraving
Whildin & Sons Ltd, E.H.
Whitestone Lumber Corp.
Wichita Arms, Inc.
Wildy, Inc.
Wilsom Combat
Z-M Weapons

GUNSMITH SCHOOL

American Gunsmithing Institute
Bull Mountain Rifle Co.
Colorado Gunsmithing Academy
Colorado School of Trades
Cylinder & Slide, Inc., William R.
Laughridge
Lassen Community College,
Gunsmithing Dept.
Laughridge, William R.
(See Cylinder & Slide Inc.)
Log Cabin Sport Shop
Modern Gun Repair School
Murray State College
North American Correspondence
Schools The Gun Pro
Nowlin Mfg. Co.
NRI Gunsmith School
Pennsylvania Gunsmith School
Piedmont Community College

Pine Technical College
Professional Gunsmiths of America
Smith & Wesson
Southeastern Community College
Spencer's Rifle Barrels, Inc.
Trinidad St. Jr. Col. Gunsmith Dept.
Wright's Gunstock Blanks
Yavapai College

GUNSMITH SUPPLIES, TOOLS & SERVICES

Ace Custom 45's, Inc.
Actions by "T" Teddy Jacobson
Alaskan Silversmith, The
Aldis Gunsmithing & Shooting Supply
Alley Supply Co.
Allred Bullet Co.
Alpec Team, Inc.
American Gunsmithing Institute
Ballard Rifle & Cartridge Co., LLC
Bar-Sto Precision Machine
Battenfeld Technologies Inc.
Bauska Barrels
Bear Mountain Gun & Tool
Bengtson Arms Co., L.
Bill's Gun Repair
Blue Ridge Machinery & Tools, Inc.
Boyd's Gunstock Industries, Inc.
Briley Mfg. Inc.
Brockman's Custom Gunsmithing
Brown Products, Inc., Ed
Brownells, Inc.
Bryan & Assoc.
B-Square Company, Inc.
Buffer Technologies
Bull Mountain Rifle Co.
Bushmaster Firearms, Inc.
C.S. Van Gorden & Son, Inc.
Carbide Checkering Tools
(See J&R Engineering)
Caywood, Shane J.
CBC-BRAZIL
Chapman Manufacturing Co.
Chicasaw Gun Works
Chip McCormick Corp.
Choate Machine & Tool Co., Inc.
Colonial Arms, Inc.
Colorado School of Trades
Colt's Mfg. Co., Inc.
Conetrol Scope Mounts
Corbin Mfg. & Supply, Inc.
CRR, Inc./Marble's Inc.
Cumberland Arms
Cumberland Mountain Arms
Custom Checkering Service, Kathy
Forster
Dan's Whetstone Co., Inc.
D'Arcy Echols & Co.
Dem-Bart Checkering Tools, Inc.
Dixie Gun Works
Dixie Gun Works
Dremel Mfg. Co.
Du-Lite Corp.
Entre'prise Arms, Inc.
Erhardt, Dennis
Evolution Gun Works, Inc.
Faith Associates
Falcon Industries, Inc.
FERLIB
Fisher, Jerry A.
Forgreens Tool & Mfg., Inc.
Forster, Kathy
(See Custom Checkering)
Gentry Custom LLC
Gilmore Sports Concepts, Inc.
Goodwin's Pawn Shop
Grace Metal Products
Gre-Tan Rifles
Gruning Precision, Inc.
Gunline Tools
Half Moon Rifle Shop
Hammond Custom Guns Ltd.

PRODUCT & SERVICE DIRECTORY

Hastings
Henriksen Tool Co., Inc.
High Performance International
High Precision
Holland's Gunsmithing
Import Sports Inc.
Ironshotter Co.
Israel Arms Inc.
Ivanoff, Thomas G.
(See Tom's Gun Repair)
J&R Engineering
J&S Heat Treat
J. Dewey Mfg. Co., Inc.
Jantz Supply
Jenkins Recoil Pads
JGS Precision Tool Mfg., LLC
Jonathan Arthur Ciener, Inc.
Jones Custom Products, Neil A.
Kailua Custom Guns Inc.
Kasent Co., Inc.
Kleinendorst, K. W.
Korzinek Riflesmith, J.
LaBounty Precision Reborring, Inc
LaFrance Specialties
Laurel Mountain Forge
Lee Supplies, Mark
List Precision Engineering
Lock's Philadelphia Gun Exchange
London Guns Ltd.
Mahovsky's Metalife
Marble Arms
(See CRR, Inc./Marble's Inc.)
Mark Lee Supplies
Marsh, Mike
Martin's Gun Shop
McFarland, Stan
Menck, Gunsmith Inc., T.W.
Metalife Industries
(See Mahovsky's Metalife)
Michael's Antiques
Micro Sight Co.
Midway Arms, Inc.
MMC
Mo's Competitor Supplies
(See MCS, Inc.)
Mowrey's Guns & Gunsmithing
Neil A. Jones Custom Products
New England Custom Gun Service
Ole Frontier Gunsmith Shop
Olympic Arms Inc.
Parker & Sons Shooting Supply
Parker Gun Finishes
Parker Gun Finishes
Paulsen Gunstocks
PEM's Mfg. Co.
Perazone-Gunsmith, Brian
Peter Dyson & Son Ltd.
Power Custom, Inc.
Practical Tools, Inc.
Precision Specialties
R.A. Wells Custom Gunsmith
Ranch Products
Ransom International Corp.
Reardon Products
Rice, Keith
(See White Rock Tool & Die)
Robert Valade Engraving
Rocky Mountain Arms, Inc.
Romain's Custom Guns, Inc.
Royal Arms Gunstocks
Rusteprefe Laboratories
Sharp Shooter Supply
Shooter's Choice Gun Care
Simmons Gun Repair, Inc.
Smith Abrasives, Inc.
Southern Bloomer Mfg. Co.
Spencer Reblue Service
Spencer's Rifle Barrels, Inc.
Spradlin's
Starr Trading Co., Jedediah
Starrett Co., L. S.
Stiles Custom Guns
Stoney Point Products, Inc.

Sullivan, David S.
(See Westwind Rifles, Inc.)
Sunny Hill Enterprises, Inc.
T&S Industries, Inc.
T.W. Menck Gunsmith, Inc.
Tank's Rifle Shop
Tar-Hunt Custom Rifles, Inc.
Texas Platers Supply Co.
The A.W. Peterson Gun Shop, Inc.
The Gun Works
The NgraveR Co.
The Robar Co., Inc.
Theis, Terry
Tom's Gun Repair, Thomas G. Ivanoff
Track of the Wolf, Inc.
Trinidad St. Jr. Col. Gunsmith Dept.
Trulock Tool
Turnbull Restoration, Doug
United States Products Co.
Van Gorden & Son Inc., C. S.
Venco Industries, Inc.
(See Shooter's Choice Gun Care)
W.C. Wolff Co.
Warne Manufacturing Co.
Washita Mountain Whetstone Co.
Weigand Combat Handguns, Inc.
Wessinger Custom Guns & Engraving
White Rock Tool & Die
Wilcox All-Pro Tools & Supply
Wild West Guns
Will-Burt Co.
Williams Gun Sight Co.
Williams Shootin' Iron Service, The
Lynx-Line
Willow Bend
Windish, Jim
Wise Guns, Dale
Wright's Gunstock Blanks
Yavapai College
Ziegel Engineering

HANDGUN ACCESSORIES

"Su-Press-On", Inc.
A.A. Arms, Inc.
Ace Custom 45's, Inc.
Action Direct, Inc.
ADCO Sales, Inc.
Advantage Arms, Inc.
Aimtech Mount Systems
Ajax Custom Grips, Inc.
Alpha 1 Drop Zone
American Derringer Corp.
Arms Corporation of the Philippines
Astra Sport, S.A.
Autauga Arms, Inc.
Badger Creek Studio
Bagmaster Mfg., Inc.
Bar-Sto Precision Machine
Behlert Precision, Inc.
Berry's Mfg., Inc.
Blue and Gray Products Inc.
(See Ox-Yoke Originals)
Bond Custom Firearms
Bowen Classic Arms Corp.
Bridgeman Products
Broken Gun Ranch
Brooks Tactical Systems-Agrip
Brown Products, Inc., Ed
Bushmaster Hunting & Fishing
Butler Creek Corp.
Cannon Safe, Inc.
Centaur Systems, Inc.
Central Specialties Ltd
(See Trigger Lock Division)
Charter 2000
Cheyenne Pioneer Products
Chicasaw Gun Works
Clark Custom Guns, Inc.
Classic Arms Company
Conetrol Scope Mounts
Crimson Trace Lasers

CRR, Inc./Marble's Inc.
Cylinder & Slide, Inc., William R.
Laughridge
D&L Industries (See D.J. Marketing)
D.J. Marketing
Dade Screw Machine Products
Dan Wesson Firearms
Delhi Gun House
DeSantis Holster & Leather Goods, Inc.
Dixie Gun Works
Dostkocil Mfg. Co., Inc.
E&L Mfg., Inc.
E. Arthur Brown Co.
E.A.A. Corp.
Eagle Imports, Inc.
Ed Brown Products, Inc.
Essex Arms
European American Armory Corp.
(See E.A.A. Corp.)
Evolution Gun Works, Inc.
Falcon Industries, Inc.
Federal Arms Corp. of America
Feinwerkbau Westinger & Altenburger
Fisher Custom Firearms
Fleming Firearms
Freedom Arms, Inc.
G.G. & G.
Galati International
GALCO International Ltd.
Garcia National Gun Traders, Inc.
Garthwaite Pistolsmith, Inc., Jim
Gil Hebard Guns, Inc.
Gilmore Sports Concepts, Inc.
Glock, Inc.
Goodwin's Pawn Shop
Gould & Goodrich
Gun-Alert
Gun-Ho Sports Cases
H.K.S. Products
Hafner World Wide, Inc.
Hammerli USA
Heinie Specialty Products
Henigson & Associates, Steve
High Standard Mfg. Co./F.I., Inc.
Hill Speed Leather, Ernie
HIP-GRIP Barami Corp.
Hi-Point Firearms/MKS Supply
Hobson Precision Mfg. Co.
Hoppe's Div. Penguin Industries, Inc.
H-S Precision, Inc.
Hume, Don
Hunter Co., Inc.
Impact Case & Container, Inc.
Import Sports Inc.
J.P. Enterprises Inc.
Jarvis, Inc.
JB Custom
Jeffredo Gunsmith
Jim Noble Co.
John's Custom Leather
Jonathan Arthur Ciener, Inc.
Kalispel Case Line
KeeCo Impressions, Inc.
King's Gun Works
KK Air International
(See Impact Case & Container Co.)
Kolpin Outdoors, Inc.
L&S Technologies Inc.
(See Aimtech Mount Systems)
Lakewood Products LLC
LaserMax, Inc.
Les Baer Custom, Inc.
Loch Leven Industries/Convert-A-Pell
Lock's Philadelphia Gun Exchange
Lohman Mfg. Co., Inc.
Mag-Na-Port International, Inc.
Magnolia Sports, Inc.
Mag-Pack Corp.
Mahony, Philip Bruce
Mandall Shooting Supplies Inc.
Marble Arms
(See CRR, Inc./Marble's Inc.)

Markell, Inc.
MEC-Gar S.R.L.
Menck, Gunsmith Inc., T.W.
Merkuria Ltd.
Middlebrooks Custom Shop
Millett Sights
Mogul Co./Life Jacket
MTM Molded Products Co., Inc.
No-Sho Mfg. Co.
Numrich Gun Parts Corporation
Omega Sales
Outdoor Sports Headquarters, Inc.
Ox-Yoke Originals, Inc.
Pachmayr Div. Lyman Products
Pager Pal
Parker & Sons Shooting Supply
Pearce Grip, Inc.
Phoenix Arms
Practical Tools, Inc.
Precision Small Arms Inc.
Ram-Line ATK
Ranch Products
Ransom International Corp.
Ringler Custom Leather Co.
RPM
Seecamp Co. Inc., L. W.
Simmons Gun Repair, Inc.
Southern Bloomer Mfg. Co.
Springfield Armory
Springfield, Inc.
SSK Industries
Sturm Ruger & Co. Inc.
T.F.C. S.p.A.
Tactical Defense Institute
Tanfoglio Fratelli S.r.l.
The A.W. Peterson Gun Shop, Inc.
The Concealment Shop, Inc.
The Gun Works
The Keller Co.
The Protector Mfg. Co., Inc.
Thompson/Center Arms
Trigger Lock Division / Central Specialties Ltd.
Trijicon, Inc.
Triple-K Mfg. Co., Inc.
Truglo, Inc.
Tyler Manufacturing & Distributing
United States Products Co.
Universal Sports
Volquartsen Custom Ltd.
W. Waller & Son, Inc.
W.C. Wolff Co.
Warne Manufacturing Co.
Weigand Combat Handguns, Inc.
Wessinger Custom Guns & Engraving
Western Design
(See Alpha Gunsmith Division)
Whitestone Lumber Corp.
Wichita Arms, Inc.
Wild West Guns
Williams Gun Sight Co.
Wilson Combat
Yankee Gunsmith "Just Glocks"
Ziegel Engineering

HANDGUN GRIPS

A.A. Arms, Inc.
African Import Co.
Ahrends, Kim
(See Custom Firearms, Inc.)
Ajax Custom Grips, Inc.
Altamont Co.
American Derringer Corp.
American Gripcraft
Arms Corporation of the Philippines
Art Jewel Enterprises Ltd.
Baelder, Harry
Big Bear Arms & Sporting Goods, Inc.
Bob's Gun Shop
Boone Trading Co., Inc.
Boone's Custom Ivory Grips, Inc.
Boyd's Gunstock Industries, Inc.

Brooks Tactical Systems-Agrip
Brown Products, Inc., Ed
Clark Custom Guns, Inc.
Claro Walnut Gunstock Co.
Cole-Grip
Colonial Repair
Crimson Trace Lasers
Custom Firearms (See Ahrends, Kim)
Cylinder & Slide, Inc., William R.
Laughridge
Dixie Gun Works
Dolbare, Elizabeth
E.A.A. Corp.
Eagle Imports, Inc.
EMF Co., Inc.
Essex Arms
European American Armory Corp.
(See E.A.A. Corp.)
Falcon Industries, Inc.
Feinwerkbau Westinger & Altenburger
Fibron Products, Inc.
Fisher Custom Firearms
Garthwaite Pistolsmith, Inc., Jim
Goodwin's Pawn Shop
Herrett's Stocks, Inc.
High Standard Mfg. Co./F.I., Inc.
HIP-GRIP Barami Corp.
Hogue Grips
H-S Precision, Inc.
Huebner, Corey O.
I.S.S.
Israel Arms Inc.
John Masen Co. Inc.
KeeCo Impressions, Inc.
Kim Ahrends Custom Firearms, Inc.
Korth Germany GmbH
Les Baer Custom, Inc.
Lett Custom Grips
Linebaugh Custom Sixguns
Lyman Products Corp.
Mandall Shooting Supplies Inc.
Michaels Of Oregon, Co.
Millett Sights
N.C. Ordnance Co.
Newell, Robert H.
Northern Precision
Pachmayr Div. Lyman Products
Pardini Armi Srl
Parker & Sons Shooting Supply
Pearce Grip, Inc.
Pilgrim Pewter, Inc.
(See Bell Originals Inc. Sid)
Precision Small Arms Inc.
Radical Concepts
Robinson, Don
Rosenberg & Son, Jack A.
Roy's Custom Grips
Spegel, Craig
Stoeger Industries
Sturm Ruger & Co. Inc.
Sunny Hill Enterprises, Inc.
Tactical Defense Institute
Taurus Firearms, Inc.
The A.W. Peterson Gun Shop, Inc.
Tirelli
Tom Forrest, Inc.
Triple-K Mfg. Co., Inc.
Tyler Manufacturing & Distributing
U.S. Fire Arms Mfg. Co., Inc.
Uncle Mike's
(See Michaels of Oregon Co.)
Vintage Industries, Inc.
Volquartsen Custom Ltd.
Western Mfg. Co.
Whitestone Lumber Corp.
Wright's Gunstock Blanks

HEARING PROTECTORS

Aero Peltor
Ajax Custom Grips, Inc.
Brown Co., E. Arthur
Browning Arms Co.

PRODUCT & SERVICE DIRECTORY

Creedmoor Sports, Inc.
David Clark Co., Inc.
Dillon Precision Products, Inc.
Dixie Gun Works
E-A-R, Inc.
Electronic Shooters Protection, Inc.
Gentex Corp.
Goodwin's Pawn Shop
Gunsmithing, Inc.
Hoppe's Div. Penguin Industries, Inc.
Kesseling Gun Shop
Mandall Shooting Supplies Inc.
Parker & Sons Shooting Supply
Paterson Gunsmithing
Peltor, Inc. (See Aero Peltor)
R.E.T. Enterprises
Ridgeline, Inc.
Rucker Dist. Inc.
Silencio/Safety Direct
Tactical Defense Institute
The A.W. Peterson Gun Shop, Inc.
The Gun Room Press
Triple-K Mfg. Co., Inc.
Watson Bullets
Whitestone Lumber Corp.

HOLSTERS & LEATHER GOODS

A&B Industries, Inc.
(See Top-Line USA Inc.)
A.A. Arms, Inc.
Action Direct, Inc.
Action Products, Inc.
Aker International, Inc.
AKJ Concealco
Alessi Holsters, Inc.
Arratoonian, Andy
(See Horseshoe Leather Products)
Autauga Arms, Inc.
Bagmaster Mfg., Inc.
Baker's Leather Goods, Roy
Bandcor Industries, Div. of Man-Sew Corp.
Bang-Bang Boutique
(See Holster Shop, The)
Beretta S.P.A., Pietro
Bianchi International, Inc.
Bond Arms, Inc.
Brocock Ltd.
Brooks Tactical Systems-Agrip
Browning Arms Co.
Bull-X, Inc.
Cape Outfitters
Cathey Enterprises, Inc.
Chace Leather Products
Churchill Glove Co., James
Cimarron F.A. Co.
Classic Old West Styles
Clements' Custom Leathercraft, Chas
Cobra Sport S.R.I.
Collector's Armoury, Ltd.
Colonial Repair
Counter Assault
Delhi Gun House
DeSantis Holster & Leather Goods, Inc.
Dillon Precision Products, Inc.
Dixie Gun Works
Eagle Imports, Inc.
Ekol Leather Care
El Paso Saddlery Co.
EMF Co., Inc.
Faust Inc., T. G.
Freedom Arms, Inc.
Gage Manufacturing
GALCO International Ltd.
Garcia National Gun Traders, Inc.
Gil Hebard Guns, Inc.
Gilmore Sports Concepts, Inc.
GML Products, Inc.
Goodwin's Pawn Shop
Gould & Goodrich

Gun Leather Limited
Hafner World Wide, Inc.
HandCrafts Unltd.
(See Clements' Custom Leather)
Hank's Gun Shop
Heinie Specialty Products
Henigson & Associates, Steve
Hill Speed Leather, Ernie
HIP-GRIP Barami Corp.
Hobson Precision Mfg. Co.
Hogue Grips
Horseshoe Leather Products
Hume, Don
Hunter Co., Inc.
Import Sports Inc.
Jim Noble Co.
John's Custom Leather
K.L. Null Holsters Ltd.
Kirkpatrick Leather Co.
Kolpin Outdoors, Inc.
Korth Germany GmbH
Kramer Handgun Leather
L.A.R. Mfg., Inc.
Lawrence Leather Co.
Lock's Philadelphia Gun Exchange
Lone Star Gunleather
Magnolia Sports, Inc.
Mandall Shooting Supplies Inc.
Markell, Inc.
Marksman Products
Michaels Of Oregon, Co.
Minute Man High Tech Industries
Navy Arms Company
No-Sho Mfg. Co.
Null Holsters Ltd. K.L.
October Country Muzzleloading
Oklahoma Leather Products, Inc.
Old West Reproductions, Inc. R.M. Bachman
Pager Pal
Parker & Sons Shooting Supply
Pathfinder Sports Leather
Protector Model
PWL Gunleather
Ramon B. Gonzalez Guns
Renegade
Ringler Custom Leather Co.
Rogue Rifle Co., Inc.
S&S Firearms
Safariland Ltd., Inc.
Safety Speed Holster, Inc.
Sarch Mfg., Inc.-Top Brass
Schulz Industries
Second Chance Body Armor
Silhouette Leathers
Smith Saddlery, Jesse W.
Sparks, Milt
Stalker, Inc.
Starr Trading Co., Jedediah
Strong Holster Co.
Stuart, V. Pat
Tabler Marketing
Tactical Defense Institute
Ted Blocker Holsters, Inc.
Tex Shoemaker & Sons, Inc.
Thad Rybka Custom Leather Equipment
The A.W. Peterson Gun Shop, Inc.
The Concealment Shop, Inc.
The Gun Works
The Keller Co.
The Outdoor Connection, Inc.
Torel, Inc.
Triple-K Mfg. Co., Inc.
Tristar Sporting Arms, Ltd.
Tyler Manufacturing & Distributing
Uncle Mike's
(See Michaels of Oregon Co.)
Venus Industries
W. Waller & Son, Inc.
Walt's Custom Leather, Walt Whinnery
Watson Bullets
Westley Richards & Co. Ltd.

Whinnery, Walt
(See Walt's Custom Leather)
Wild Bill's Originals
Wilsom Combat

HUNTING & CAMP GEAR, CLOTHING, ETC.

Action Direct, Inc.
Action Products, Inc.
Adventure 16, Inc.
All Rite Products, Inc.
Alpha 1 Drop Zone
Armor (See Buck Stop Lure Co., Inc.)
Atlanta Cutlery Corp.
Atsko/Sno-Seal, Inc.
B.B. Walker Co.
Baekgaard Ltd.
Bagmaster Mfg., Inc.
Barbour, Inc.
Bauer, Eddie
Bear Archery
Beaver Park Product, Inc.
Beretta S.P.A., Pietro
Better Concepts Co.
Bill Russ Trading Post
Bob Allen Sportswear
Boonie Packer Products
Boss Manufacturing Co.
Browning Arms Co.
Buck Stop Lure Co., Inc.
Bushmaster Hunting & Fishing
Cambos Outdoorsman
Cambos Outdoorsman
Camp-Cap Products
Carhartt, Inc.
Churchill Glove Co., James
Clarkfield Enterprises, Inc.
Classic Old West Styles
Clements' Custom Leathercraft, Chas
Coghlan's Ltd.
Cold Steel Inc.
Coleman Co., Inc.
Coulston Products, Inc.
Counter Assault
Dakota Corp.
Danner Shoe Mfg. Co.
Deepeeka Exports Pvt. Ltd.
Dr. O's Products Ltd.
Duofold, Inc.
Dynamite Products, Inc.
E-A-R, Inc.
Ekol Leather Care
Flambeau, Inc.
Forrest Tool Co.
Fox River Mills, Inc.
Frontier
G&H Decoys, Inc.
Gerber Legendary Blades
Glacier Glove
Grand Slam Hunting Products
HandCrafts Unltd.
(See Clements' Custom Leather)
High North Products, Inc.
Hinman Outfitters, Bob
Hodgman, Inc.
Houtz & Barwick
Hunter's Specialties Inc.
James Churchill Glove Co.
John's Custom Leather
K&M Industries, Inc.
Kamik Outdoor Footwear
Kolpin Outdoors, Inc.
L.L. Bean, Inc.
LaCrosse Footwear, Inc.
Leapers, Inc.
MAG Instrument, Inc.
Mag-Na-Port International, Inc.
McCann Industries
Molin Industries, Tru-Nord Division
Murphy, R.R. Co., Inc.
Northlake Outdoor Footwear
Original Deer Formula Co., The

Palsa Outdoor Products
Partridge Sales Ltd., John
Pointing Dog Journal, Village Press
Publications
Powell & Son (Gunmakers) Ltd., William
Pro-Mark Div. of Wells Lamont
Ringler Custom Leather Co.
Robert Valade Engraving
Rocky Shoes & Boots
Scansport, Inc.
Sceery Game Calls
Schaefer Shooting Sports
Servus Footwear Co.
Simmons Outdoor Corp.
Sno-Seal, Inc.
(See Atsko/Sno-Seal, Inc.)
Swandri New Zealand
TEN-X Products Group
The A.W. Peterson Gun Shop, Inc.
The Orvis Co.
The Outdoor Connection, Inc.
Tink's Safariland Hunting Corp.
Torel, Inc.
Triple-K Mfg. Co., Inc.
United Cutlery Corp.
Venus Industries
Wakina by Pic
Walls Industries, Inc.
Wideview Scope Mount Corp.
Wilderness Sound Products Ltd.
Winchester Suttler, Inc., The
Wolverine Footwear Group
Woolrich, Inc.
Wyoming Knife Corp.
Yellowstone Wilderness Supply

KNIVES & KNIFEMAKER'S SUPPLIES

A.G. Russell Knives, Inc.
Action Direct, Inc.
Adventure 16, Inc.
African Import Co.
Aitor-Cuchilleria Del Norte S.A.
American Target Knives
Art Jewel Enterprises Ltd.
Atlanta Cutlery Corp.
B&D Trading Co., Inc.
Barteaux Machete
Benchmark Knives
(See Gerber Legendary Blades)
Beretta S.P.A., Pietro
Beretta U.S.A. Corp.
Big Bear Arms & Sporting Goods, Inc.
Bill Russ Trading Post
Boker USA, Inc.
Boone Trading Co., Inc.
Boone's Custom Ivory Grips, Inc.
Bowen Knife Co., Inc.
Brooks Tactical Systems-Agrip
Browning Arms Co.
Buck Knives, Inc.
Buster's Custom Knives
Camillus Cutlery Co.
Campbell, Dick
Case & Sons Cutlery Co., W R
Chicago Cutlery Co.
Claro Walnut Gunstock Co.
Clements' Custom Leathercraft, Chas
Cold Steel Inc.
Coleman Co., Inc.
Collector's Armoury, Ltd.
Compass Industries, Inc.
Crosman Blades
(See Coleman Co., Inc.)
CRR, Inc./Marble's Inc.
Cutco Cutlery
damascususa@inteliport.com
Dan's Whetstone Co., Inc.
Deepeeka Exports Pvt. Ltd.
Degen Inc. (See Aristocrat Knives)

Delhi Gun House
DeSantis Holster & Leather Goods, Inc.
Diamond Machining Technology, Inc.
(See DMT)
Dixie Gun Works
Dolbare, Elizabeth
EdgeCraft Corp., S. Weiner
Empire Cutlery Corp.
Eze-Lap Diamond Prods.
Flitz International Ltd.
Forrest Tool Co.
Forthofer's Gunsmithing & Knifemaking
Fortune Products, Inc.
Frank Knives
Frost Cutlery Co.
Galati International
George Ibberson (Sheffield) Ltd.
Gerber Legendary Blades
Glock, Inc.
Golden Age Arms Co.
H&B Forge Co.
Hafner World Wide, Inc.
Hammans, Charles E.
HandCrafts Unltd.
(See Clements' Custom Leather)
Harris Publications
Hoppe's Div. Penguin Industries, Inc.
Hunter Co., Inc.
Imperial Schrade Corp.
J.A. Blades, Inc.
(See Christopher Firearms Co.)
J.A. Henckels Zwillingwerk Inc.
Jackalope Gun Shop
Jantz Supply
Jenco Sales, Inc.
Jim Blair Engraving
Johnson Wood Products
KA-BAR Knives
Kasnit Co., Inc.
Kershaw Knives
Knifeware, Inc.
Koval Knives
Lamson & Goodnow Mfg. Co.
Lansky Sharpeners
Leapers, Inc.
Leatherman Tool Group, Inc.
Lethal Force Institute
(See Police Bookshelf)
Linder Solingen Knives
Mandall Shooting Supplies Inc.
Marble Arms
(See CRR, Inc./Marble's Inc.)
Marshall Fish Mfg. Gunsmith Sptg. Co.
Matthews Cutlery
McCann Industries
Molin Industries, Tru-Nord Division
Mountain State Muzzleloading Supplies, Inc.
Normark Corp.
October Country Muzzleloading
Outdoor Edge Cutlery Corp.
Pilgrim Pewter, Inc.
(See Bell Originals Inc. Sid)
Plaza Cutlery, Inc.
Police Bookshelf
Queen Cutlery Co.
R&C Knives & Such
R. Murphy Co., Inc.
Randall-Made Knives
Ringler Custom Leather Co.
Robert Valade Engraving
Scansport, Inc.
Schiffman, Mike
Sheffield Knifemakers Supply, Inc.
Smith Saddlery, Jesse W.
Springfield Armory
Spyderco, Inc.
T.F.C. S.p.A.
The A.W. Peterson Gun Shop, Inc.
The Creative Craftsman, Inc.

PRODUCT & SERVICE DIRECTORY

The Gun Room
The Gun Works
Theis, Terry
Traditions Performance Firearms
Traditions Performance Firearms
Tru-Balance Knife Co.
United Cutlery Corp.
Utica Cutlery Co.
Venus Industries
W.R. Case & Sons Cutlery Co.
Washita Mountain Whetstone Co.
Wells Creek Knife & Gun Works
Wenger North America/Precise Int'l.
Western Cutlery
(See Camillus Cutlery Co.)
Whinnery, Walt
(See Walt's Custom Leather)
Wideview Scope Mount Corp.
Wostenholm (See Ibberson [Sheffield] Ltd., George)
Wyoming Knife Corp.

LABELS, BOXES & CARTRIDGE HOLDERS

Ballistic Products, Inc.
Berry's Mfg., Inc.
Brocock Ltd.
Brown Co., E. Arthur
Cabinet Mtn. Outfitters Scents & Lures
Cheyenne Pioneer Products
Del Rey Products
DeSantis Holster & Leather Goods, Inc.
Flambeau, Inc.
Goodwin's Pawn Shop
Hafner World Wide, Inc.
J&J Products, Inc.
Kolpin Outdoors, Inc.
Liberty Shooting Supplies
Midway Arms, Inc.
MTM Molded Products Co., Inc.
Pendleton Royal, c/o Swinger
Buckland Ltd.
Walt's Custom Leather, Walt Whinnery
Ziegel Engineering

LEAD WIRES & WIRE CUTTERS

Ames Metal Products
Big Bore Express
Bullet Swaging Supply, Inc.
D.L. Unmussig Bullets
Goodwin's Pawn Shop
Liberty Metals
Lightning Performance Innovations, Inc.
Montana Precision Swaging
Northern Precision
Sport Flite Manufacturing Co.
Star Ammunition, Inc.

LOAD TESTING & PRODUCT TESTING

Ballistic Research
Bridgeman Products
Briese Bullet Co., Inc.
Buckskin Bullet Co.
Bull Mountain Rifle Co.
CFventures
Claybuster Wads & Harvester Bullets
Clearview Products
D&H Precision Tooling
Dead Eye's Sport Center
Defense Training International, Inc.
Duane's Gun Repair
(See DGR Custom Rifles)
Gruning Precision, Inc.
H.P. White Laboratory, Inc.
Hank's Gun Shop

Henigson & Associates, Steve
Hutton Rifle Ranch
J&J Sales
Jackalope Gun Shop
Jensen Bullets
Jonathan Arthur Ciener, Inc.
L. E. Jurras & Assoc.
Liberty Shooting Supplies
Linebaugh Custom Sixguns
Lomont Precision Bullets
MAST Technology, Inc.
McMurdo, Lynn
(See Specialty Gunsmithing)
Middlebrooks Custom Shop
Modern Gun Repair School
Multiplex International
Northwest Arms
Oil Rod and Gun Shop
Plum City Ballistic Range
R.A. Wells Custom Gunsmith
Ramon B. Gonzalez Guns
Rupert's Gun Shop
Small Custom Mould & Bullet Co.
SOS Products Co.
(See Buck Stix-SOS Products Co.)
Spencer's Rifle Barrels, Inc.
Tar-Hunt Custom Rifles, Inc.
Trinidad St. Jr. Col. Gunsmith Dept.
Vulpes Ventures, Inc., Fox Cartridge Division
W. Square Enterprises
X-Spand Target Systems

LOADING BLOCKS, METALLIC & SHOTSHELL

Battenfeld Technologies Inc.
Buffalo Arms Co.
Huntington Die Specialties
Jericho Tool & Die Co., Inc.
Sinclair International, Inc.
The A.W. Peterson Gun Shop, Inc.

LUBRISIZERS, DIES & ACCESSORIES

Ballisti-Cast, Inc.
Buffalo Arms Co.
Cast Performance Bullet Company
Cooper-Woodward Perfect Lube
Corbin Mfg. & Supply, Inc.
GAR
Hart & Son, Inc.
Javelina Lube Products
Lee Precision, Inc.
Lithi Bee Bullet Lube
Lyman Products Corp.
Magma Engineering Co.
PWM Sales Ltd.
RCBS Operations/ATK
Redding Reloading Equipment
S&S Firearms
SPG LLC
The A.W. Peterson Gun Shop, Inc.
Thompson Bullet Lube Co.
United States Products Co.
WTA Manufacturing

MOULDS & MOULD ACCESSORIES

Ad Hominem
American Products, Inc.
Ballisti-Cast, Inc.
Buffalo Arms Co.
Bullet Swaging Supply, Inc.
Cast Performance Bullet Company
Corbin Mfg. & Supply, Inc.
Davide Pedersoli and Co.
GAR

Huntington Die Specialties
Lee Precision, Inc.
Lyman Products Corp.
Magma Engineering Co.
Old West Bullet Moulds
Pacific Rifle Co.
Penn Bullets
Rapine Bullet Mould Mfg. Co.
RCBS Operations/ATK
Redding Reloading Equipment
S&S Firearms
Small Custom Mould & Bullet Co.
The A.W. Peterson Gun Shop, Inc.
The Gun Works
Wolf's Western Traders

MUZZLE-LOADING GUNS, BARRELS & EQUIPMENT

Accuracy Unlimited
Ackerman & Co.
Adkins, Luther
Allen Mfg.
Armi San Paolo
Armoury, Inc., The
Austin & Halleck, Inc.
Bauska Barrels
Bentley, John
Big Bore Express
Birdsong & Assoc., W. E.
Black Powder Products
Blount/Outers ATK
Blue and Gray Products Inc.
(See Ox-Yoke Originals)
Bridgers Best
Buckskin Bullet Co.
Bullberry Barrel Works, Ltd.
Butler Creek Corp.
Cabela's
Cache La Poudre Rifleworks
California Sights
(See Fautheree, Andy)
Cash Mfg. Co., Inc.
Caywood Gunmakers
CBC-BRAZIL
Chambers Flintlocks Ltd., Jim
Chicasaw Gun Works
Cimarron F.A. Co.
Claybuster Wads & Harvester Bullets
Cogar's Gunsmithing
Colonial Repair
Colt Blackpowder Arms Co.
Conetrol Scope Mounts
Cousin Bob's Mountain Products
Cumberland Arms
Cumberland Mountain Arms
Curly Maple Stock Blanks
(See Tiger-Hunt)
CVA
Dangler, Homer L.
Davide Pedersoli and Co.
Dayton Traister
deHaas Barrels
Delhi Gun House
Dixie Gun Works
Dixie Gun Works
Dixon Muzzleloading Shop, Inc.
Dolbare, Elizabeth
EMF Co., Inc.
Euroarms of America, Inc.
Feken, Dennis
Flintlocks, Etc.
Fort Hill Gunstocks
Fowler, Bob
(See Black Powder Products)
Frontier
Getz Barrel Company
Goergen's Gun Shop, Inc.
Golden Age Arms Co.
Gonic Arms/North American Arms, Inc.
Goodwin's Pawn Shop

Green Mountain Rifle Barrel Co., Inc.
H&R 1871.LLC
Hastings
Hawken Shop, The
(See Dayton Traister)
Hege Jagd-u. Sporthandels GmbH
Hodgdon Powder Co.
Hoppe's Div. Penguin Industries, Inc.
Hornady Mfg. Co.
House of Muskets, Inc., The
Hunkeler, A.
(See Buckskin Machine Works)
IAR Inc.
Impact Case & Container, Inc.
Ironighter Co.
J. Dewey Mfg. Co., Inc.
Jamison's Forge Works
Jones Co., Dale
K&M Industries, Inc.
Kalispel Case Line
Kennedy Firearms
Knight Rifles
Knight Rifles
(See Modern Muzzle Loading, Inc.)
Kolar
L&R Lock Co.
L&S Technologies Inc.
(See Airmtech Mount Systems)
Lakewood Products LLC
Lodgewood Mfg.
Log Cabin Sport Shop
Lothar Walther Precision Tool Inc.
Lyman Products Corp.
Markesbery Muzzle Loaders, Inc.
Mathews Gun Shop & Gunsmithing, Inc.
McCann, Tom
Michaels Of Oregon, Co.
Millennium Designed Muzzleloaders
Modern Muzzleloading, Inc.
Mountain State Muzzleloading Supplies, Inc.
Mowrey Gun Works
Navy Arms Company
Newman Gunshop
North Star West
October Country Muzzleloading
Oklahoma Leather Products, Inc.
Olson, Myron
Orion Rifle Barrel Co.
Ox-Yoke Originals, Inc.
Pacific Rifle Co.
Parker & Sons Shooting Supply
Parker Gun Finishes
Pecatonica River Longrifle
Peter Dyson & Son Ltd.
Pioneer Arms Co.
Prairie River Arms
Rossi Firearms
Rusty Duck Premium Gun Care Products
S&S Firearms
Selsi Co., Inc.
Simmons Gun Repair, Inc.
Skilany's Machine Shop
Smokey Valley Rifles
South Bend Replicas, Inc.
Southern Bloomer Mfg. Co.
Splitfire Sporting Goods, L.L.C.
Starr Trading Co., Jedediah
Stone Mountain Arms
Sturm Ruger & Co. Inc.
Taylor's & Co., Inc.
Tennessee Valley Mfg.
The A.W. Peterson Gun Shop, Inc.
The Gun Works
The Hawken Shop
Thompson Bullet Lube Co.
Thompson/Center Arms
Tiger-Hunt Gunstocks
Track of the Wolf, Inc.
Traditions Performance Firearms
Truglo, Inc.

Uncle Mike's
(See Michaels of Oregon Co.)
Universal Sports
Upper Missouri Trading Co.
Venco Industries, Inc.
(See Shooter's Choice Gun Care)
Village Restorations & Consulting, Inc.
Virgin Valley Custom Guns
Voere-KGH GmbH
W.E. Birdsong & Assoc.
Warne Manufacturing Co.
Warren Muzzleloading Co., Inc.
Wescombe, Bill (See North Star West)
White Rifles, Inc.
William E. Phillips Firearms
Woodworker's Supply
Wright's Gunstock Blanks
Young Country Arms
Ziegel Engineering

PISTOLSMITH

A.W. Peterson Gun Shop, Inc.
Acadian Ballistic Specialties
Accuracy Unlimited
Ace Custom 45's, Inc.
Actions by "T" Teddy Jacobson
Adair Custom Shop, Bill
Ahlmans Guns
Ahrends, Kim
(See Custom Firearms, Inc.)
Aldis Gunsmithing & Shooting Supply
Alpha Precision, Inc.
Alpine Indoor Shooting Range
Armament Gunsmithing Co., Inc.
Arundel Arms & Ammunition, Inc., A.
Badger Creek Studio
Bain & Davis, Inc.
Bar-Sto Precision Machine
Behlert Precision, Inc.
Bengtson Arms Co., L.
Bill Adair Custom Shop
Billings Gunsmiths
Bob Rogers Gunsmithing
Bowen Classic Arms Corp.
Broken Gun Ranch
Caraville Manufacturing
Chicasaw Gun Works
Chip McCormick Corp.
Clark Custom Guns, Inc.
Cleland's Outdoor World, Inc.
Colonial Repair
Colorado School of Trades
Colt's Mfg. Co., Inc.
Corkys Gun Clinic
Custom Firearms (See Ahrends, Kim)
Cylinder & Slide, Inc., William R. Laughridge
D&D Gunsmiths, Ltd.
D&L Sports
David R. Chicoine
Dayton Traister
Dillioitt Gunsmithing, Inc.
Ellicott Arms, Inc. / Woods
Pistolsmithing
Evolution Gun Works, Inc.
Ferris Firearms
Fisher Custom Firearms
Forkin Custom Classics
G.G. & G.
Garthwaite Pistolsmith, Inc., Jim
Gary Reeder Custom Guns
Genecco Gun Works
Gentry Custom LLC
Greider Precision
Guncraft Sports, Inc.
Guncraft Sports, Inc.
Gunsite Training Center
Hamilton, Alex B.
(See Ten-Ring Precision, Inc.)
Hammerli Service-Precision Mac
Hammond Custom Guns Ltd.
Hank's Gun Shop

PRODUCT & SERVICE DIRECTORY

Hanson's Gun Center, Dick Harwood, Jack O.
Hawken Shop, The
(See Dayton Traister)
Heinie Specialty Products
High Bridge Arms, Inc.
High Standard Mfg. Co./F.I., Inc.
Highline Machine Co.
Hoag, James W.
Irwin, Campbell H.
Island Pond Gun Shop
Ivanoff, Thomas G.
(See Tom's Gun Repair)
J&S Heat Treat
Jarvis, Inc.
Jeffredo Gunsight
Jensen's Custom Ammunition
Jungkind, Reeves C.
Kaswer Custom, Inc.
Ken Starnes Gunmaker
Kilham & Co.
Kim Ahrends Custom Firearms, Inc.
King's Gun Works
La Clinique du .45
LaFrance Specialties
LaRocca Gun Works
Lathrop's, Inc.
Lawson, John G.
(See Sight Shop, The)
Leckie Professional Gunsmithing
Les Baer Custom, Inc.
Linebaugh Custom Sixguns
List Precision Engineering
Long, George F.
Mag-Na-Port International, Inc.
Mahony, Philip Bruce
Mahovsky's Metalife
Mandal Shooting Supplies Inc.
Marvel, Alan
Mathews Gun Shop & Gunsmithing, Inc.
MCS, Inc.
Middlebrooks Custom Shop
Miller Custom
Mitchell's Accuracy Shop
MJK Gunsmithing, Inc.
Modern Gun Repair School
Mo's Competitor Supplies
(See MCS, Inc.)
Mowrey's Guns & Gunsmithing
Mullis Guncraft
NCP Products, Inc.
Novak's, Inc.
Nowlin Mfg. Co.
Olathe Gun Shop
Paris, Frank J.
Pasadena Gun Center
Peacemaker Specialists
PEM's Mfg. Co.
Performance Specialists
Peterson Gun Shop, Inc., A.W.
Pierce Pistols
Piquette's Custom Engraving
Power Custom, Inc.
Precision Specialties
Ramon B. Gonzalez Guns
Randco UK
Ries, Chuck
Rim Pac Sports, Inc.
Rocky Mountain Arms, Inc.
RPM
Ruger's Custom Guns
Score High Gunsmithing
Shooters Supply
Shootin' Shack
Singletary, Kent
Springfield, Inc.
SSK Industries
Swenson's 45 Shop, A. D.
Swift River Gunworks
Ten-Ring Precision, Inc.
Terry K. Kopp Professional Gunsmithing

The A.W. Peterson Gun Shop, Inc.
The Gun Works
The Robar Co., Inc.
The Sight Shop
Thurston Sports, Inc.
Time Precision
Tom's Gun Repair, Thomas G. Ivanoff
Turnbull Restoration, Doug
Vic's Gun Refinishing
Volquartsen Custom Ltd.
Walker Arms Co., Inc.
Walters Industries
Wardell Precision Handguns Ltd.
Wessinger Custom Guns & Engraving
White Barn Wor
Wichita Arms, Inc.
Wild West Guns
Williams Gun Sight Co.
Williamson Precision Gunsmithing
Wilsom Combat
Wright's Gunstock Blanks

POWDER MEASURES, SCALES, FUNNELS & ACCESSORIES

4-D Custom Die Co.
Battendorf Technologies Inc.
Buffalo Arms Co.
Davide Pedersoli and Co.
Dillon Precision Products, Inc.
Fremont Tool Works
Frontier
GAR
High Precision
Hoehn Sales, Inc.
Jones Custom Products, Neil A.
Modern Muzzleloading, Inc.
Neil A. Jones Custom Products
Pacific Rifle Co.
Peter Dyson & Son Ltd.
Precision Reloading, Inc.
Ramon B. Gonzalez Guns
RCBS Operations/ATK
RCBS/ATK
Redding Reloading Equipment
Saunders Gun & Machine Shop
Schumakers Gun Shop
Spencer's Rifle Barrels, Inc.
The A.W. Peterson Gun Shop, Inc.
Vega Tool Co.
VibraShine, Inc.
VTI Gun Parts

PRESS ACCESSORIES, METALLIC

Buffalo Arms Co.
Corbin Mfg. & Supply, Inc.
Hollywood Engineering
Huntington Die Specialties
MA Systems, Inc.
R.E.I.
Redding Reloading Equipment
Royal Arms Gunstocks
The A.W. Peterson Gun Shop, Inc.
Thompson Tool Mount
Vega Tool Co.

PRESS ACCESSORIES, SHOTSHELL

Hollywood Engineering
Lee Precision, Inc.
MEC, Inc.
Precision Reloading, Inc.
R.E.I.
The A.W. Peterson Gun Shop, Inc.

PRESSES, ARBOR

Blue Ridge Machinery & Tools, Inc.
Goodwin's Pawn Shop
Hoehn Sales, Inc.
K&M Services
RCBS Operations/ATK
Spencer's Rifle Barrels, Inc.
The A.W. Peterson Gun Shop, Inc.

PRESSES, METALLIC

4-D Custom Die Co.
Battendorf Technologies Inc.
Dillon Precision Products, Inc.
Fremont Tool Works
Goodwin's Pawn Shop
Hornady Mfg. Co.
Huntington Die Specialties
Lee Precision, Inc.
Midway Arms, Inc.
R.E.I.
Ramon B. Gonzalez Guns
RCBS Operations/ATK
RCBS/ATK
Redding Reloading Equipment
Spencer's Rifle Barrels, Inc.
The A.W. Peterson Gun Shop, Inc.

PRESSES, SHOTSHELL

Ballistic Products, Inc.
Dillon Precision Products, Inc.
Goodwin's Pawn Shop
Hornady Mfg. Co.
MEC, Inc.
Precision Reloading, Inc.
Spolar Power Load, Inc.
The A.W. Peterson Gun Shop, Inc.

PRESSES, SWAGE

Bullet Swaging Supply, Inc.
The A.W. Peterson Gun Shop, Inc.

PRIMING TOOLS & ACCESSORIES

GAR
Goodwin's Pawn Shop
Hart & Son, Inc.
Huntington Die Specialties
K&M Services
RCBS Operations/ATK
Simmons, Jerry
Sinclair International, Inc.
The A.W. Peterson Gun Shop, Inc.

REBORING & RERIFLING

Ahiman Guns
Barrel & Gunworks
Bauska Barrels
BlackStar AccuMax Barrels
BlackStar Barrel Accurizing
(See BlackStar AccuMax)
Buffalo Arms Co.
Champlin Firearms, Inc.
Ed's Gun House
Fred F. Wells/Wells Sport Store
Ivanoff, Thomas G.
(See Tom's Gun Repair)
Jackalope Gun Shop
Jonathan Arthur Ciener, Inc.
LaBounty Precision Reboring, Inc.
NCP Products, Inc.
Pence Precision Barrels
Redman's Rifling & Reboring
Rice, Keith
(See White Rock Tool & Die)
Ridgetop Sporting Goods

Savage Arms, Inc.
Shaw, Inc., E. R.
(See Small Arms Mfg. Co.)
Siegrist Gun Shop
Simmons Gun Repair, Inc.
Stratco, Inc.
Terry K. Kopp Professional Gunsmithing
The Gun Works
Time Precision
Tom's Gun Repair, Thomas G. Ivanoff
Turnbull Restoration, Doug
Van Patten, J. W.
White Rock Tool & Die
Zufall, Joseph F.

RELOADING TOOLS AND ACCESSORIES

4-D Custom Die Co.
Advance Car Mover Co., Rowell Div.
American Products, Inc.
Ammo Load, Inc.
Armfield Custom Bullets
Armitage Laboratories
Arms Corporation of the Philippines
Atlantic Rose, Inc.
Atsko/Sno-Seal, Inc.
Bald Eagle Precision Machine Co.
Ballistic Products, Inc.
Berger Bullets Ltd.
Berry's Mfg., Inc.
Blount, Inc., Sporting Equipment Div.
Blue Mountain Bullets
Blue Ridge Machinery & Tools, Inc.
Bonanza (See Forster Products)
Brown Co., E. Arthur
BRP, Inc. High Performance Cast Bullets
Brynin, Milton
B-Square Company, Inc.
Buck Stix-SOS Products Co.
Buffalo Arms Co.
Bull Mountain Rifle Co.
C&D Special Products (See Claybuster Wads & Harvester Bullets)
Camdex, Inc.
Camp-Cap Products
Canyon Cartridge Corp.
Case Sorting System
CCI/Speer Div of ATK
CH Tool & Die Co.
(See 4-D Custom Die Co.)
CheVron Bullets
Claybuster Wads & Harvester Bullets
Cook Engineering Service
Crouse's Country Cover
Cumberland Arms
Curtis Cast Bullets
Custom Products
(See Jones Custom Products)
CVA
D.C.C. Enterprises
Davide Pedersoli and Co.
Davis, Don
Davis Products, Mike
Denver Instrument Co.
Dillon Precision Products, Inc.
Dropkick
E&L Mfg., Inc.
Eagan, Donald V.
Eichelberger Bullets, Wm.
Enguix Import-Export
Euroarms of America, Inc.
E-Z-Way Systems
Federated-Fry (See Fry Metals)
Feken, Dennis
Ferguson, Bill
Fisher Custom Firearms
Flambeau, Inc.
Flitz International Ltd.
Forster Products
Fremont Tool Works

Fry Metals
Gehmann, Walter
(See Huntington Die Specialties)
Graf & Sons
Graphics Direct
Graves Co.
Green, Arthur S.
Greenwood Precision
GTB-Custom Bullets
Gun City
Hanned Precision
(See The Hanned Line)
Harrell's Precision
Harris Enterprises
Harrison Bullets
Heidenstrom Bullets
High Precision
Hirtenberger AG
Hodgdon Powder Co.
Hoehn Sales, Inc.
Holland's Gunsmithing
Hondo Ind.
Hornady Mfg. Co.
Howell Machine
Hunters Supply, Inc.
Hutton Rifle Ranch
Image Ind. Inc.
Imperial Magnum Corp.
INTEC International, Inc.
Iosso Products
J&L Superior Bullets
(See Huntington Die Special)
Jack First, Inc.
Javelina Lube Products
JGS Precision Tool Mfg., LLC
JLK Bullets
Jonad Corp.
Jones Custom Products, Neil A.
Jones Moulds, Paul
K&M Services
Kapro Mfg. Co. Inc. (See R.E.I.)
Knoell, Doug
Korzinek Riflesmith, J.
L.A.R. Mfg., Inc.
L.E. Wilson, Inc.
Lapua Ltd.
Le Clear Industries
(See E-Z-Way Systems)
Lee Precision, Inc.
Liberty Metals
Liberty Shooting Supplies
Lightning Performance Innovations, Inc.
Lithi Bee Bullet Lube
Littleton, J. F.
Lock's Philadelphia Gun Exchange
Lortone Inc.
Lyman Instant Targets, Inc.
(See Lyman Products)
Lyman Products Corp.
MA Systems, Inc.
Magma Engineering Co.
MarMik, Inc.
Marquart Precision Co.
Match Prep-Doyle Gracey
Mayville Engineering Co.
(See MEC, Inc.)
MCS, Inc.
MEC, Inc.
Midway Arms, Inc.
MI-TE Bullets
Montana Armory, Inc.
(See C. Sharps Arms Co. Inc.)
Mo's Competitor Supplies
(See MCS, Inc.)
Mountain State Muzzleloading Supplies, Inc.
MTM Molded Products Co., Inc.
MWG Co.
Navy Arms Company
Newman Gunshop
North Devon Firearms Services
Old West Bullet Moulds

PRODUCT & SERVICE DIRECTORY

Original Box, Inc.
Outdoor Sports Headquarters, Inc.
Paco's (See Small Custom Mould & Bullet Co.)
Paragon Sales & Services, Inc.
Pease Accuracy
Pinetree Bullets
Ponsness/Warren
Prairie River Arms
Prime Reloading
Professional Hunter Supplies (See Star Custom Bullets)
Pro-Shot Products, Inc.
R.A. Wells Custom Gunsmith R.E.I.
R.I.S. Co., Inc.
Rapine Bullet Mould Mfg. Co.
Reloading Specialties, Inc.
Rice, Keith (See White Rock Tool & Die)
Rochester Lead Works
Rooster Laboratories
Rorschach Precision Products
SAECO (See Redding Reloading Equipment)
Sandia Die & Cartridge Co.
Saunders Gun & Machine Shop
Saville Iron Co. (See Greenwood Precision)
Seebeck Assoc., R.E.
Sharp Shooter Supply
Sharps Arms Co., Inc., C.
Sierra Specialty Prod. Co.
Silver Eagle Machining
Skip's Machine
Small Custom Mould & Bullet Co.
Sno-Seal, Inc. (See Atsko/Sno-Seal, Inc.)
SOS Products Co. (See Buck Stix-SOS Products Co.)
Spencer's Rifle Barrels, Inc.
SPG LLC
SSK Industries
Stalwart Corporation
Star Custom Bullets
Starr Trading Co., Jedediah
Stillwell, Robert
Stoney Point Products, Inc.
Stratco, Inc.
Tamarack Products, Inc.
Taracorp Industries, Inc.
TCCI
TCSR
TDP Industries, Inc.
Tetra Gun Care
The Hanned Line
The Protector Mfg. Co., Inc.
Thompson/Center Arms
TMI Products (See Haselbauer Products, Jerry)
Vega Tool Co.
Venco Industries, Inc. (See Shooter's Choice Gun Care)
VibraShine, Inc.
Vibra-Tek Co.
Vihtavuori Oy/Kaltron-Pettibone
Vitt/Boos
W.B. Niemi Engineering
W.J. Riebe Co.
WD-40 Co.
Webster Scale Mfg. Co.
White Rock Tool & Die
Widener's Reloading & Shooting Supply, Inc.
Wise Custom Guns
Woodleigh (See Huntington Die Specialties)
Yesteryear Armory & Supply
Young Country Arms

RESTS BENCH, PORTABLE AND ACCESSORIES

Adventure 16, Inc.
Armor Metal Products
Bald Eagle Precision Machine Co.
Bartlett Engineering
Battenfeld Technologies Inc.
Blount/Outers ATK
Browning Arms Co.
B-Square Company, Inc.
Bull Mountain Rifle Co.
Canons Delcour
Clift Mfg., L. R.
Desert Mountain Mfg.
Greenwood Precision
Harris Engineering Inc.
Hart & Son, Inc.
Hidalgo, Tony
Hoehn Sales, Inc.
Hoppe's Div. Penguin Industries, Inc.
J&J Sales
Keng's Firearms Specialty, Inc./US Tactical Systems
Kolpin Outdoors, Inc.
Kramer Designs
Midway Arms, Inc.
Millett Sights
Protector Model
Ransom International Corp.
Russ Haydon's Shooters' Supply
Saville Iron Co. (See Greenwood Precision)
Sinclair International, Inc.
Stoney Point Products, Inc.
The A.W. Peterson Gun Shop, Inc.
The Outdoor Connection, Inc.
Thompson Target Technology
Tonoloway Truck Drives
Varmint Masters, LLC
Wichita Arms, Inc.
Zanotti Armor, Inc.
Ziegel Engineering

RIFLE BARREL MAKER

Airrow
American Safe Arms, Inc.
Barrel & Gunworks
Bauska Barrels
BlackStar AccuMax Barrels
BlackStar Barrel Accurizing (See BlackStar AccuMax)
Border Barrels Ltd.
Brown Co., E. Arthur
Buchsenmachermeister
Bullberry Barrel Works, Ltd.
Bushmaster Firearms, Inc.
Canons Delcour
Carter's Gun Shop
Christensen Arms
Cincinnati Swaging
D.L. Unmussig Bullets
deHaas Barrels
Dilliot Gunsmithing, Inc.
DKT, Inc.
Donnelly, C. P.
Douglas Barrels, Inc.
Fred F. Wells/Wells Sport Store
Gaillard Barrels
Getz Barrel Company
Getz Barrel Company
Granite Mountain Arms, Inc.
Green Mountain Rifle Barrel Co., Inc.
Gruning Precision, Inc.
Half Moon Rifle Shop
Hart Rifle Barrels, Inc.
Hastings
Hofer Jagdwaffen, P.
H-S Precision, Inc.
Jackalope Gun Shop
Krieger Barrels, Inc.

Les Baer Custom, Inc.
Lilja Precision Rifle Barrels
Lothar Walther Precision Tool Inc.
McGowen Rifle Barrels
McMillan Rifle Barrels
Mid-America Recreation, Inc.
Modern Gun Repair School
Morrison Precision
N.C. Ordnance Co.
Obermeyer Rifled Barrels
Olympic Arms Inc.
Orion Rifle Barrel Co.
PAC-NOR Barreling
Pence Precision Barrels
Perazone-Gunsmith, Brian
Rogue Rifle Co., Inc.
Sabatti SPA
Savage Arms, Inc.
Schneider Rifle Barrels, Inc.
Shaw, Inc., E. R. (See Small Arms Mfg. Co.)
Shilen, Inc.
Siskiyou Gun Works (See Donnelly, C. P.)
Small Arms Mfg. Co.
Specialty Shooters Supply, Inc.
Spencer's Rifle Barrels, Inc.
Steyr Mannlicher GmbH & Co KG
Strutz Rifle Barrels, Inc., W. C.
Swift River Gunworks
Terry K. Kopp Professional Gunsmithing
The Gun Works
The Wilson Arms Co.
Turnbull Restoration, Doug
Verney-Carron
Virgin Valley Custom Guns
William E. Phillips Firearms
Wiseman and Co., Bill

SCOPES, MOUNTS, ACCESSORIES, OPTICAL EQUIPMENT

A.R.M.S., Inc.
Accu-Tek
Ackerman, Bill (See Optical Services Co.)
Action Direct, Inc.
ADCO Sales, Inc.
Aimtech Mount Systems
Air Rifle Specialists
Air Venture Airguns
All Rite Products, Inc.
Alley Supply Co.
Alpec Team, Inc.
Apel GmbH, Ernst
ArmaLite, Inc.
Arundel Arms & Ammunition, Inc., A. B.A.C.
Badger Creek Studio
Bansner's Ultimate Rifles, LLC
Barrett Firearms Manufacturer, Inc.
Beaver Park Product, Inc.
BEC, Inc.
Beeman Precision Airguns
Benjamin/Sheridan Co., Crosman
Bill Russ Trading Post
BKL Technologies
Blount, Inc., Sporting Equipment Div.
Blount/Outers ATK
Borden Rifles Inc.
Broad Creek Rifle Works, Ltd.
Brockman's Custom Gunsmithing
Brocock Ltd.
Brown Co., E. Arthur
Brownells, Inc.
Brunton U.S.A.
BSA Optics
B-Square Company, Inc.
Bull Mountain Rifle Co.
Burriss Co., Inc.
Bushmaster Firearms, Inc.

Bushnell Sports Optics Worldwide
Butler Creek Corp.
Cabela's
Carl Zeiss Inc.
Center Lock Scope Rings
Chuck's Gun Shop
Clark Custom Guns, Inc.
Clearview Mfg. Co., Inc.
Compass Industries, Inc.
Compasseco, Ltd.
Concept Development Corp.
Conetrol Scope Mounts
Creedmoor Sports, Inc.
Crimson Trace Lasers
Crosman Airguns
Custom Quality Products, Inc.
D.C.C. Enterprises
D.L. Unmussig Bullets
Daisy Outdoor Products
Del-Sports, Inc.
DHB Products
Dolbare, Elizabeth
E. Arthur Brown Co.
Eagle Imports, Inc.
Eclectic Technologies, Inc.
Edmund Scientific Co.
Ednar, Inc.
Eggleston, Jere D.
Emerging Technologies, Inc. (See Laseraim Technologies, Inc.)
Entre'prise Arms, Inc.
Euro-Imports
Evolution Gun Works, Inc.
Excalibur Electro Optics, Inc.
Excel Industries, Inc.
Falcon Industries, Inc.
Farr Studio, Inc.
Federal Arms Corp. of America
Freedom Arms, Inc.
Fujinon, Inc.
G.G. & G.
Galati International
Gentry Custom LLC
Gil Hebard Guns, Inc.
Gilmore Sports Concepts, Inc.
Goodwin's Pawn Shop
GSI, Inc.
Gun South, Inc. (See GSI, Inc.)
Guns Div. of D.C. Engineering, Inc.
Gunsmithing, Inc.
Hakko Co. Ltd.
Hammerli USA
Hart & Son, Inc.
Harvey, Frank
Highwood Special Products
Hiptmayer, Armurier
Hiptmayer, Klaus
Holland's Gunsmithing
Hunter Co., Inc.
Impact Case & Container, Inc.
IronSighter Co.
Jeffredo Gunsight
Jena Eur
Jerry Phillips Optics
Jewell Triggers, Inc.
John Masen Co. Inc.
John's Custom Leather
Kahles A. Swarovski Company
Kalispel Case Line
KDF, Inc.
Keng's Firearms Specialty, Inc./US Tactical Systems
Kesseling Gun Shop
Kimber of America, Inc.
Knight's Mfg. Co.
Kowa Optimed, Inc.
KVH Industries, Inc.
Kwik-Site Co.
L&S Technologies Inc. (See Aimtech Mount Systems)
L.A.R. Mfg., Inc.
Laser Devices, Inc.
Laseraim Technologies, Inc.

LaserMax, Inc.
Leapers, Inc.
Leica USA, Inc.
Les Baer Custom, Inc.
Leupold & Stevens, Inc.
List Precision Engineering
Lohman Mfg. Co., Inc.
Lomont Precision Bullets
London Guns Ltd.
Mac-1 Airgun Distributors
Mag-Na-Port International, Inc.
Mandall Shooting Supplies Inc.
Marksman Products
Maxi-Mount Inc.
McBros Rifle Co.
McMillan Optical Gunsight Co.
MCS, Inc.
MDS
Merit Corp.
Military Armament Corp.
DHB Products
Mirador Optical Corp.
Mitchell Optics, Inc.
MMC
Mo's Competitor Supplies (See MCS, Inc.)
MWG Co.
Navy Arms Company
New England Custom Gun Service
Nikon, Inc.
Norincoptics (See BEC, Inc.)
Olympic Optical Co.
Op-Tec
Optical Services Co.
Orchard Park Enterprise
Oregon Arms, Inc. (See Rogue Rifle Co., Inc.)
Ozark Gun Works
Parker & Sons Shooting Supply
Parsons Optical Mfg. Co.
PECAR Herbert Schwarz GmbH
PEM's Mfg. Co.
Pentax Corp.
PMC/Eldorado Cartridge Corp.
Precision Sport Optics
Premier Reticles
Quarton Beamshot
R.A. Wells Custom Gunsmith
Ram-Line ATK
Ramon B. Gonzalez Guns
Ranch Products
Randolph Engineering, Inc.
Rice, Keith (See White Rock Tool & Die)
Robinson Armament Co.
Hiptmayer, Armurier
Romain's Custom Guns, Inc.
S&K Scope Mounts
Saunders Gun & Machine Shop
Schmidt & Bender, Inc.
Schumakers Gun Shop
Scope Control, Inc.
Score High Gunsmithing
Seecamp Co. Inc., L. W.
Segway Industries
Selsi Co., Inc.
Sharp Shooter Supply
Shepherd Enterprises, Inc.
Sightron, Inc.
Simmons Outdoor Corp.
Six Enterprises
Southern Bloomer Mfg. Co.
Spencer's Rifle Barrels, Inc.
Splitfire Sporting Goods, L.L.C.
Sportsmatch U.K. Ltd.
Springfield Armory
Springfield, Inc.
SSK Industries
Stiles Custom Guns
Stoeger Industries
Stoney Point Products, Inc.
Sturm Ruger & Co. Inc.
Sunny Hill Enterprises, Inc.

PRODUCT & SERVICE DIRECTORY

Swarovski Optik North America Ltd.
 Swift Instruments, Inc.
 T.K. Lee Co.
 Talley, Dave
 Tasco Sales, Inc.
 Tele-Optics
 The A.W. Peterson Gun Shop, Inc.
 The Outdoor Connection, Inc.
 Thompson/Center Arms
 Traditions Performance Firearms
 Trijicon, Inc.
 Truglo, Inc.
 U.S. Optics, A Division of Zeitz Optics U.S.A.
 Ultra Dot Distribution
 Uncle Mike's
 (See Michaels of Oregon Co.)
 Unertl Optical Co., Inc.
 United Binocular Co.
 Virgin Valley Custom Guns
 Visible Impact Targets
 Voere-KGH GmbH
 Warne Manufacturing Co.
 Warren Muzzleloading Co., Inc.
 Watson Bullets
 Weaver Products ATK
 Weaver Scope Repair Service
 Webley and Scott Ltd.
 Weigand Combat Handguns, Inc.
 Wessinger Custom Guns & Engraving
 Westley Richards & Co. Ltd.
 White Rifles, Inc.
 White Rock Tool & Die
 Whitestone Lumber Corp.
 Wideview Scope Mount Corp.
 Wilcox Industries Corp.
 Wild West Guns
 Williams Gun Sight Co.
 York M-1 Conversion
 Zanotti Armor, Inc.

SHELLHOLDERS

Corbin Mfg. & Supply, Inc.
 Fremont Tool Works
 GAR
 Goodwin's Pawn Shop
 Hart & Son, Inc.
 Hollywood Engineering
 Huntington Die Specialties
 K&M Services
 King & Co.
 Protektor Model
 PWM Sales Ltd.
 RCBS Operations/ATK
 Redding Reloading Equipment
 The A.W. Peterson Gun Shop, Inc.
 Vega Tool Co.

SHOOTING/TRAINING SCHOOL

Alpine Indoor Shooting Range
 American Gunsmithing Institute
 American Small Arms Academy
 Auto Arms
 Beretta U.S.A. Corp.
 Bob's Tactical Indoor Shooting Range & Gun Shop
 Bridgeman Products
 Chapman Academy of Practical Shooting
 Chelsea Gun Club of New York City Inc.
 Cherry Creek State Park Shooting Center
 Cleland's Outdoor World, Inc.
 CQB Training
 Defense Training International, Inc.
 Executive Protection Institute
 Ferris Firearms
 Front Sight Firearms Training Institute

G.H. Enterprises Ltd.
 Gene's Custom Guns
 Gilmore Sports Concepts, Inc.
 Griffin & Howe, Inc.
 Griffin & Howe, Inc.
 Griffin & Howe, Inc.
 Guncraft Books
 (See Guncraft Sports, Inc.)
 Guncraft Sports, Inc.
 Guncraft Sports, Inc.
 Gunsite Training Center
 Henigson & Associates, Steve
 Jensen's Custom Ammunition
 Jensen's Firearms Academy
 Kemen America
 L.L. Bean, Inc.
 Lethal Force Institute
 (See Police Bookshelf)
 Loch Leven Industries/Convert-A-Pell
 Long, George F.
 McMurdo, Lynn
 (See Specialty Gunsmithing)
 Mendez, John A.
 NCP Products, Inc.
 Nevada Pistol Academy, Inc.
 North American Shooting Systems
 North Mountain Pine Training Center
 Nowlin Mfg. Co.
 Paxton Quigley's Personal Protection Strategies
 Penhenty de Penhenty
 Performance Specialists
 Police Bookshelf
 Protektor Model
 SAFER
 Shoot Where You Look
 Shooter's World
 Shooters, Inc.
 Sigarms, Inc.
 Smith & Wesson
 Specialty Gunsmithing
 Starlight Training Center, Inc.
 Tactical Defense Institute
 The Firearm Training Center
 The Midwest Shooting School
 The Shooting Gallery
 Thunden Ranch
 Western Missouri Shooters Alliance
 Yankee Gunsmith "Just Glock's"
 Yavapai Firearms Academy Ltd.

SHOTSHELL MISCELLANY

American Products, Inc.
 Ballistic Products, Inc.
 Bridgeman Products
 Goodwin's Pawn Shop
 Lee Precision, Inc.
 MEC, Inc.
 Precision Reloading, Inc.
 R.E.I.
 RCBS Operations/ATK
 T&S Industries, Inc.
 The A.W. Peterson Gun Shop, Inc.
 The Gun Works
 Vitt/Boos
 Ziegel Engineering

SIGHTS, METALLIC

100 Straight Products, Inc.
 Accura-Site (See All's, The Jim Tembelis Co., Inc.)
 Ad Hominem
 Alley Supply Co.
 All's, The Jim J. Tembelis Co., Inc.
 Alpec Team, Inc.
 Andela Tool & Machine, Inc.
 AO Sight Systems
 ArmaLite, Inc.
 Ashley Outdoors, Inc.

Aspen Outfitting Co.
 Axtell Rifle Co.
 B.A.C.
 Ballard Rifle & Cartridge Co., LLC
 BEC, Inc.
 Bob's Gun Shop
 Bo-Mar Tool & Mfg. Co.
 Bond Custom Firearms
 Bowen Classic Arms Corp.
 Brockman's Custom Gunsmithing
 Brooks Tactical Systems-Agrip
 Brown Co., E. Arthur
 Brown Dog Ent.
 Brownells, Inc.
 Buffalo Arms Co.
 Bushmaster Firearms, Inc.
 C. Sharps Arms Co. Inc./Montana Armory
 California Sights
 (See Fautheree, Andy)
 Campbell, Dick
 Cape Outfitters
 Cape Outfitters
 Cash Mfg. Co., Inc.
 Center Lock Scope Rings
 Champion's Choice, Inc.
 Chip McCormick Corp.
 C-More Systems
 Colonial Repair
 CRR, Inc./Marble's Inc.
 Davide Pedersoli and Co.
 DHB Products
 Dixie Gun Works
 DPMS (Defense Procurement Manufacturing Services, Inc.)
 E. Arthur Brown Co.
 Effebi SNC-Dr. Franco Beretta
 Evolution Gun Works, Inc.
 Falcon Industries, Inc.
 Farr Studio, Inc.
 G.G. & G.
 Garthwaite Pistolsmith, Inc., Jim
 Goergen's Gun Shop, Inc.
 Goodwin's Pawn Shop
 Guns Div. of D.C. Engineering, Inc.
 Gunsmithing, Inc.
 Hank's Gun Shop
 Heidenstrom Bullets
 Heinie Specialty Products
 Hesco-Meprolight
 Hiptmayer, Armurier
 Hiptmayer, Klaus
 I.S.S.
 Innovative Weaponry Inc.
 J.G. Anschutz GmbH & Co. KG
 J.P. Enterprises Inc.
 King's Firearms Specialty, Inc./US Tactical Systems
 Knight Rifles
 Knight's Mfg. Co.
 L.P.A. Inc.
 Leapers, Inc.
 Les Baer Custom, Inc.
 List Precision Engineering
 London Guns Ltd.
 Lyman Instant Targets, Inc.
 (See Lyman Products)
 Mandall Shooting Supplies Inc.
 Marble Arms
 (See CRR, Inc./Marble's Inc.)
 MCS, Inc.
 MEC-Gar S.R.L.
 Meprolight (See Hesco-Meprolight)
 Merit Corp.
 Mid-America Recreation, Inc.
 Middlebrooks Custom Shop
 Millett Sights
 MMC
 Modern Muzzleloading, Inc.
 Montana Armory, Inc.
 (See C. Sharps Arms Co. Inc.)
 Montana Vintage Arms

Mo's Competitor Supplies
 (See MCS, Inc.)
 Navy Arms Company
 New England Custom Gun Service
 Newman Gunshop
 Novak's, Inc.
 OK Weber, Inc.
 One Ragged Hole
 Parker & Sons Shooting Supply
 PEM's Mfg. Co.
 Perazone-Gunsmith, Brian
 RPM
 Sharps Arms Co., Inc., C.
 Slug Site
 STI International
 T.F.C. S.p.A.
 Talley, Dave
 Tank's Rifle Shop
 The A.W. Peterson Gun Shop, Inc.
 The Gun Doctor
 Trijicon, Inc.
 Truglo, Inc.
 U.S. Optics, A Division of Zeitz Optics U.S.A.
 Warne Manufacturing Co.
 Weigand Combat Handguns, Inc.
 Wichita Arms, Inc.
 Wild West Guns
 Williams Gun Sight Co.
 Wilsom Combat
 Wilsom Combat

STOCK MAKER

Acra-Bond Laminates
 Amrine's Gun Shop
 Antique Arms Co.
 Artistry in Wood
 Aspen Outfitting Co.
 Bain & Davis, Inc.
 Bansner's Ultimate Rifles, LLC
 Baron Technology
 Belding's Custom Gun Shop
 Billings Gunsmiths
 Bob Rogers Gunsmithing
 Boltin, John M.
 Borden Ridges Rimrock Stocks
 Bowerly, Kent
 Boyds' Gunstock Industries, Inc.
 Brace, Larry D.
 Briganti, A.J.
 Broad Creek Rifle Works, Ltd.
 Brown Precision, Inc.
 Buchsenmachermeister
 Bull Mountain Rifle Co.
 Bullberry Barrel Works, Ltd.
 Burkhart Gunsmithing, Don
 Cambos Outdoorsman
 Cambos Outdoorsman
 Caywood, Shane J.
 Chicasaw Gun Works
 Chuck's Gun Shop
 Claro Walnut Gunstock Co.
 Coffin, Charles H.
 Colorado Gunsmithing Academy
 Custom Riflestocks, Inc., Michael M. Kokolus
 Custom Single Shot Rifles
 D&D Gunsmiths, Ltd.
 Dangler, Homer L.
 D'Arcy Echols & Co.
 DGR Custom Rifles
 DGS, Inc., Dale A. Storey
 Don Klein Custom Guns
 Erhardt, Dennis
 Eversull Co., Inc.
 Fieldsport Ltd.
 Fisher, Jerry A.
 Forster, Larry L.
 Fred F. Wells/Wells Sport Store
 Gary Goudy Classic Stocks
 Genecco Gun Works

Gene's Custom Guns
 Gillmann, Edwin
 Grace, Charles E.
 Great American Gunstock Co.
 Gruning Precision, Inc.
 Gunsmithing Ltd.
 Hank's Gun Shop
 Harper's Custom Stocks
 Harry Lawson Co.
 Heilmann, Stephen
 Hensley, Gunmaker, Darwin
 Heydenberk, Warren R.
 High Tech Specialties, Inc.
 Hofer Jagdwaffen, P.
 Huebner, Corey O.
 Island Pond Gun Shop
 Jack Dever Co.
 Jamison's Forge Works
 Jay McCament Custom Gunmaker
 Jim Norman Custom Gunstocks
 John Rigby & Co.
 U.S. Optics, A Division of Zeitz Optics U.S.A.
 K. Eversull Co., Inc.
 Keith's Custom Gunstocks
 Ken Eyster Heritage Gunsmiths, Inc.
 Larry Lyons Gunworks
 Marshall Fish Mfg. Gunsmith Sptg. Co.
 Mathews Gun Shop & Gunsmithing, Inc.
 McGowen Rifle Barrels
 Mercer Custom Guns
 Mid-America Recreation, Inc.
 Mike Yee Custom Stocking
 Mitchell, Jack
 Modern Gun Repair School
 Morrow, Bud
 Nelson's Custom Guns, Inc.
 Nettetstad Gun Works
 Nickels, Paul R.
 Paul and Sharon Dressel
 Paul D. Hillmer Custom Gunstocks
 Paulsen Gunstocks
 Pawling Mountain Club
 Pecatonica River Longrifle
 Penhenty de Penhenty
 Quality Custom Firearms
 R&J Gun Shop
 R.A. Wells Custom Gunsmith
 Ralph Bone Engraving
 RMS Custom Gunsmithing
 Robinson, Don
 Ron Frank Custom Classic Arms
 Royal Arms Gunstocks
 Royal Arms Gunstocks
 Ruger's Custom Guns
 Six Enterprises
 Skeoch, Brian R.
 Smith, Art
 Smith, Sharmon
 Speiser, Fred D.
 Steven Dodd Hughes
 Stott's Creek Armory, Inc.
 Sturgeon Valley Sporters
 Taylor & Robbins
 Tennessee Valley Mfg.
 The Custom Mfg
 Tiger-Hunt Gunstocks
 Trico Plastics
 Tucker, James C.
 Turnbull Restoration, Doug
 Vest, John
 Walker Arms Co., Inc.
 Wayne E. Schwartz Custom Guns
 Weber & Markin Custom Gunsmiths
 Wenig Custom Gunstocks
 Wiebe, Duane
 Wild West Guns
 Williamson Precision Gunsmithing
 Winter, Robert M.
 Working Guns

PRODUCT & SERVICE DIRECTORY

STOCKS (COMMERCIAL)

Accuracy Unlimited
Acra-Bond Laminates
African Import Co.
Ahlman Guns
Aspen Outfitting Co.
B.A.C.
Baelder, Harry
Balickie, Joe
Bansner's Ultimate Rifles, LLC
Barnes Bullets, Inc.
Battenfeld Technologies Inc.
Beitzinger, George
Belding's Custom Gun Shop
Bell & Carlson, Inc.
Blount, Inc., Sporting Equipment Div.
Blount/Outers ATK
Bob's Gun Shop
Borden Ridges Rimrock Stocks
Borden Rifles Inc.
Bowerly, Kent
Boyd's Gunstock Industries, Inc.
Brockman's Custom Gunsmithing
Brown Co., E. Arthur
Buckhorn Gun Works
Bull Mountain Rifle Co.
Butler Creek Corp.
Cali'co Hardwoods, Inc.
Cape Outfitters
Caywood, Shane J.
Chambers Flintlocks Ltd., Jim
Chicasaw Gun Works
Chiuilli, Stephen
Claro Walnut Gunstock Co.
Coffin, Charles H.
Coffin, Jim (See Working Guns)
Colonial Repair
Colorado Gunsmithing Academy
Colorado School of Trades
Conrad, C. A.
Curly Maple Stock Blanks
(See Tiger-Hunt)
Custom Checkering Service, Kathy
Forster
Custom Riflestocks, Inc., Michael R.
Kokolus
D&D Gunsmiths, Ltd.
D&G Precision Duplicators
(See Greene Precision)
David W. Schwartz Custom Guns
Davide Pedersoli and Co.
DGR Custom Rifles
Duane's Gun Repair
(See DGR Custom Rifles)
Duncan's Gun Works, Inc.
Effebi SNC-Dr. Franco Beretta
Eggleston, Jere D.
Erhardt, Dennis
Eversull Co., Inc.
Falcon Industries, Inc.
Falcon Industries, Inc.
Fibron Products, Inc.
Fieldsport Ltd.
Fisher, Jerry A.
Folks, Donald E.
Forster, Kathy
(See Custom Checkering)
Forthofer's Gunsmithing &
Knifemaking
Francotte & Cie S.A. Auguste
Game Haven Gunstocks
George Hoenig, Inc.
Gervais, Mike
Gillmann, Edwin
Giron, Robert E.
Goens, Dale W.
Golden Age Arms Co.
Goodwin's Pawn Shop
Great American Gunstock Co.
Green, Roger M.

Greenwood Precision
Guns Div. of D.C. Engineering, Inc.
Hammerli USA
Hanson's Gun Center, Dick
Harper's Custom Stocks
Harry Lawson Co.
Harwood, Jack O.
Hecht, Hubert J., Waffen-Hecht
Hensley, Gunmaker, Darwin
High Tech Specialties, Inc.
Hiptmayer, Armurier
Hiptmayer, Klaus
Hogue Grips
H-S Precision, Inc.
Huebner, Corey O.
Island Pond Gun Shop
Israel Arms Inc.
Ivanoff, Thomas G.
(See Tom's Gun Repair)
Jackalope Gun Shop
Jarrett Rifles, Inc.
Jim Norman Custom Gunstocks
John Masen Co. Inc.
Johnson Wood Products
KDF, Inc.
Keith's Custom Gunstocks
Kelby, Inc.
Kilham & Co.
Klingler Woodcarving
Lawson Co., Harry
Mandall Shooting Supplies Inc.
McBros Rifle Co.
McDonald, Dennis
McMillan Fiberglass Stocks, Inc.
Michaels Of Oregon, Co.
Mid-America Recreation, Inc.
Miller Arms, Inc.
Mitchell, Jack
Morrison Custom Rifles, J. W.
MPI Stocks
MWG Co.
NCP Products, Inc.
Nelson's Custom Guns, Inc.
New England Arms Co.
New England Custom Gun Service
Newman Gunshop
Nickels, Paul R.
Oil Rod and Gun Shop
Old World Gunsmithing
One Of A Kind
Ottmar, Maurice
Pagel Gun Works, Inc.
Paragon Sales & Services, Inc.
Parker & Sons Shooting Supply
Paul and Sharon Dressel
Paul D. Hillmer Custom Gunstocks
Paulsen Gunstocks
Pawling Mountain Club
Pecatonica River Longrifle
PEM's Mfg. Co.
Perazone-Gunsmith, Brian
Powell & Son (Gunmakers) Ltd.,
William
Precision Gun Works
R&J Gun Shop
R.A. Wells Custom Gunsmith
Ram-Line ATK
Ramon B. Gonzalez Guns
Rampart International
Richards Micro-Fit Stocks
RMS Custom Gunsmithing
Robinson, Don
Robinson Armament Co.
Robinson Firearms Mfg. Ltd.
Romain's Custom Guns, Inc.
Ron Frank Custom Classic Arms
Royal Arms Gunstocks
Saville Iron Co.
(See Greenwood Precision)
Schiffman, Mike
Score High Gunsmithing

Simmons Gun Repair, Inc.
Six Enterprises
Speiser, Fred D.
Stan De Treville & Co.
Stiles Custom Guns
Swann, D. J.
Swift River Gunworks
Szweida, Robert
(See RMS Custom Gunsmithing)
T.F.C. S.p.A.
Tecnolegno S.p.A.
The A.W. Peterson Gun Shop, Inc.
The Gun Shop
The Orvis Co.
Tiger-Hunt Gunstocks
Tirelli
Tom's Gun Repair, Thomas G. Ivanoff
Track of the Wolf, Inc.
Trevallion Gunstocks
Tuttle, Dale
Vic's Gun Refinishing
Vintage Industries, Inc.
Virgin Valley Custom Guns
Volquartsen Custom Ltd.
Walker Arms Co., Inc.
Weber & Markin Custom Gunsmiths
Weems, Cecil
Wenig Custom Gunstocks
Werth, T. W.
Western Mfg. Co.
Wild West Guns
Williams Gun Sight Co.
Windish, Jim
Working Guns
Wright's Gunstock Blanks
Zeeryp, Russ

STUCK CASE REMOVERS

GAR
Goodwin's Pawn Shop
Huntington Die Specialties
MarMik, Inc.
The A.W. Peterson Gun Shop, Inc.
Tom's Gun Repair, Thomas G. Ivanoff

TARGETS, BULLET CLAYBIRD TRAPS

Action Target, Inc.
Air Arms
American Target
Autauga Arms, Inc.
Beeman Precision Airguns
Benjamin/Sheridan Co., Crosman
Birchwood Casey
Blount, Inc., Sporting Equipment Div.
Blount/Outers ATK
Blue and Gray Products Inc.
(See Ox-Yoke Originals)
Brown Precision, Inc.
Bull-X, Inc.
Caswell International
Champion Target Co.
Creedmoor Sports, Inc.
Crosman Airguns
D.C.C. Enterprises
Daisy Outdoor Products
Diamond Mfg. Co.
Federal Champion Target Co.
G.H. Enterprises Ltd.
H-S Precision, Inc.
Hunterjohn
J.G. Dapkus Co., Inc.
Kennebec Journal
Kleen-Bore, Inc.
Lakefield Arms Ltd.
(See Savage Arms, Inc.)
Leapers, Inc.

Little Sales Co.
Lyman Instant Targets, Inc.
(See Lyman Products)
Marksman Products
Mendez, John A.
Mountain Plains Industries
MSR Targets
N.B.B., Inc.
National Target Co.
North American Shooting Systems
Outers Laboratories Div. of ATK
Ox-Yoke Originals, Inc.
Palsa Outdoor Products
Passive Bullet Traps, Inc.
(See Savage Range Systems, Inc.)
PlumFire Press, Inc.
Precision Airgun Sales, Inc.
Protektor Model
Quack Decoy & Sporting Clays
Remington Arms Co., Inc.
Rockwood Corp.
Rocky Mountain Target Co.
Savage Range Systems, Inc.
Schaefer Shooting Sports
Seligman Shooting Products
Shooters Supply
Shoot-N-C Targets
(See Birchwood Casey)
Target Shooting, Inc.
The A.W. Peterson Gun Shop, Inc.
Thompson Target Technology
Trius Traps, Inc.
Universal Sports
Visible Impact Targets
Watson Bullets
Woods Wise Products
World of Targets
(See Birchwood Casey)
X-Spand Target Systems

TAXIDERMY

African Import Co.
Bill Russ Trading Post
Kulis Freeze Dry Taxidermy
World Trek, Inc.

TRAP & SKEET SHOOTER'S EQUIPMENT

American Products, Inc.
Bagmaster Mfg., Inc.
Ballistic Products, Inc.
Beretta S.P.A., Pietro
Blount/Outers ATK
Bob Allen Sportswear
Bridgeman Products
C&H Research
Cape Outfitters
Claybuster Wads & Harvester Bullets
Fiocchi of America, Inc.
G.H. Enterprises Ltd.
Hoppe's Div. Penguin Industries, Inc.
Jamison's Forge Works
Jenkins Recoil Pads
Jim Noble Co.
Kalispel Case Line
Kolar
Lakewood Products LLC
Ljutic Industries, Inc.
Mag-Na-Port International, Inc.
MEC, Inc.
Moneymaker Guncraft Corp.
MTM Molded Products Co., Inc.
NCP Products, Inc.
Pachmayr Div. Lyman Products
Palsa Outdoor Products
Pro-Port Ltd.
Protektor Model
Quack Decoy & Sporting Clays

Remington Arms Co., Inc.
Rhodeside, Inc.
Shooting Specialties
(See Titus, Daniel)
Shotgun Sports Magazine, dba
Shootin' Accessories Ltd.
Stan Baker Sports
T&S Industries, Inc.
TEN-X Products Group
The Gun Works
Trius Traps, Inc.
Truglo, Inc.
Universal Sports
Warne Manufacturing Co.
Weber & Markin Custom Gunsmiths
X-Spand Target Systems
Ziegel Engineering

TRIGGERS, RELATED EQUIPMENT

Actions by "T" Teddy Jacobson
B&D Trading Co., Inc.
Behlert Precision, Inc.
Bond Custom Firearms
Boyd's Gunstock Industries, Inc.
Broad Creek Rifle Works, Ltd.
Bull Mountain Rifle Co.
Chicasaw Gun Works
Dayton Traister
Dolbare, Elizabeth
Electronic Trigger Systems, Inc.
Eversull Co., Inc.
Feinwerkbau Westinger & Altenburger
Gentry Custom LLC
Goodwin's Pawn Shop
Hart & Son, Inc.
Hawken Shop, The
(See Dayton Traister)
Hoehn Sales, Inc.
Holland's Gunsmithing
Impact Case & Container, Inc.
J.P. Enterprises Inc.
Jewell Triggers, Inc.
John Masen Co. Inc.
Jones Custom Products, Neil A.
K. Eversull Co., Inc.
KK Air International
(See Impact Case & Container Co.)
Knight's Mfg. Co.
L&R Lock Co.
Les Baer Custom, Inc.
List Precision Engineering
London Guns Ltd.
M.H. Canjar Co.
Mahony, Philip Bruce
Master Lock Co.
Miller Single Trigger Mfg. Co.
NCP Products, Inc.
Neil A. Jones Custom Products
Nowlin Mfg. Co.
PEM's Mfg. Co.
Penrod Precision
Perazone-Gunsmith, Brian
Ramon B. Gonzalez Guns
Robinson Armament Co.
Sharp Shooter Supply
Shilen, Inc.
Simmons Gun Repair, Inc.
Spencer's Rifle Barrels, Inc.
NCP Products, Inc.
Tank's Rifle Shop
Target Shooting, Inc.
The A.W. Peterson Gun Shop, Inc.
The Gun Works
Watson Bullets

MANUFACTURER'S DIRECTORY

A

A Zone Bullets, 2039 Walter Rd., Billings, MT 59105 / 800-252-3111; FAX: 406-248-1961

A&B Industries, Inc (See Top-Line USA Inc.)

A&W Repair, 2930 Schneider Dr., Arnold, MO 63010 / 617-287-3725

A.A. Arms, Inc., 4811 Persimmon Ct., Monroe, NC 28110 / 704-289-5356; or 800-935-1119; FAX: 704-289-5859

A.B.S. III, 9238 St. Morritz Dr., Fern Creek, KY 40291

A.G. Russell Knives, Inc., 1920 North 26th Street, Springdale, AR 72764 / 479-751-7341; FAX: 479-751-4520

ag@agrussell.com agrussell.com

A.R.M.S., Inc., 230 W. Center St., West Bridgewater, MA 02379-1620 / 508-584-7816; FAX: 508-588-8045

A.W. Peterson Gun Shop, Inc., 4255 W. Old U.S. 441, Mt. Dora, FL 32757-3299 / 352-383-4258; FAX: 352-735-1001

AC Dyna-tite Corp., 155 Kelly St., P.O. Box 0984, Elk Grove Village, IL 60007 / 847-593-5566; FAX: 847-593-1304

Acadian Ballistic Specialties, P.O. Box 787, Folsom, LA 70437 / 504-796-0078 gunsmith@neasolf.com

Accuracy International, Foster, PO Box 111, Willsall, MT 59086 / 406-587-7922; FAX: 406-585-9434

Accuracy International Precision Rifles (See U.S.)

Accuracy Int'l. North America, Inc., PO Box 5267, Oak Ridge, TN 37831 / 423-482-0330; FAX: 423-482-0336

Accuracy Unlimited, 16036 N. 49 Ave., Glendale, AZ 85306 / 602-978-9089; FAX: 602-978-9089 fglen@cox.net www.glenncustom.com

Accuracy Unlimited, 7479 S. DePew St., Littleton, CO 80123

Accura-Site (See All's, The Jim Tembelis Co., Inc.)

Accurate Arms Co., Inc., 5891 Hwy. 230 West, McEwen, TN 37101 / 931-729-4207; FAX: 931-729-4211

burrensburg@aac-ca.com www.accuratepowder.com

Accu-Tek, 4510 Carter Ct., Chino, CA 91710

Ace Custom 45's, Inc., 1880 1/2 Upper Turtle Creek Rd., Kerrville, TX 78028 / 830-257-4290; FAX: 830-257-5724

www.acecustom45.com

Ackerman & Co., Box 133 US Highway Rt. 7, Pownal, VT 05261 / 802-823-9874 muskets@rogsther.net

Ackerman, Bill (See Optical Services Co.)

Acra-Bond Laminates, 134 Zimmerman Rd., Kalispell, MT 59901 / 406-257-9003; FAX: 406-257-9003

merlins@digisys.net www.acrabondlaminates.com

Action Bullets & Alloy Inc., RR 1, P.O. Box 189, Quinter, KS 67752 / 785-754-3609; FAX: 785-754-3629

bullets@ruraltel.net

Action Direct, Inc., P.O. Box 770400, Miami, FL 33177 / 305-969-0056; FAX: 305-256-3541

www.action-direct.com

Action Products, Inc., 22 N. Mulberry St., Hagerstown, MD 21740 / 301-797-1414; FAX: 301-733-2073

Action Target, Inc., PO Box 636, Provo, UT 84603 / 801-377-8033; FAX: 801-377-8096

Actions by "T" Teddy Jacobson, 16315 Redwood Forest Ct., Sugar Land, TX 77478 / 281-277-4008; FAX: 281-277-9112 tjacobson@houston.rr.com

www.actionsbyt.us

AcuSport Corporation, 1 Hunter Place, Bellefontaine, OH 43311-3001 / 513-593-7010; FAX: 513-592-5625

Ad Hominem, 3130 Gun Club Lane, RR #3, Orillia, ON L3V 6H3 CANADA / 705-689-5303; FAX: 705-689-5303

Adair Custom Shop, Bill, 2886 Westridge, Carrollton, TX 75006

ADCO Sales, Inc., 4 Draper St. #A, Woburn, MA 01801 / 781-935-1799; FAX: 781-935-1011

Adkins, Luther, 1292 E. McKay Rd., Shelbyville, IN 46176-8706 / 317-392-3795

Advance Car Mover Co., Rowell Div., P.O. Box 1, 240 N. Depot St., Juneau, WI 53039 / 414-386-4464; FAX: 414-386-4416

Advantage Arms, Inc., 25163 W. Ave. Stanford, Valencia, CA 91355 / 661-257-2290

Adventure 16, Inc., 4620 Alvarado Canyon Rd., San Diego, CA 92120 / 619-283-6314

Aero Peltor, 90 Mechanic St., Southbridge, MA 01550 / 508-764-5500; FAX: 508-764-0188

African Import Co., 22 Goodwin Rd, Plymouth, MA 02360 / 508-746-8552; FAX: 508-746-0404

africanimport@aol.com

AFSCO Ammunition, 731 W. Third St., P.O. Box L, Owen, WI 54460 / 715-229-2516 sailers@webtv.net

Ahlman Guns, 9525 W. 230th St., Morrilton, MN 55052 / 507-685-4243; FAX: 507-685-4280 www.ahlmans.com

Ahrends, Kim (See Custom Firearms, Inc.), Box 203, Clarion, IA 50525 / 515-532-3449; FAX: 515-532-3926

Aimtech Mount Systems, P.O. Box 223, Thomasville, GA 31799 / 229-226-4313; FAX: 229-227-0222

mail@aimtech-mounts.com www.aimtech-mounts.com

Air Arms, Hailsham Industrial Park, Diplocks Way, Hailsham, E. Sussex, BN27 3JF ENGLAND / 011-0323-845853

Air Rifle Specialists, P.O. Box 138, 130 Holden Rd., Pine City, NY 14871-0138 / 607-734-7340; FAX: 607-733-3261

ars@stny.rr.com www.air-rifles.com

Air Venture Airguns, 9752 E. Flower St., Bellflower, CA 90706 / 562-867-6355

AirForce Airguns, P.O. Box 2478, Fort Worth, TX 76113 / 817-451-8966; FAX: 817-451-1613

www.airforceairguns.com

Airrow, 11 Monitor Hill Rd., Newtown, CT 06470 / 203-270-6343

Aitor-Cuchilleria Del Norte S.A., Izelaieta, 17, 48260, Ermua, S PAIN / 43-17-08-50 info@aitor.com www.aitor.com

Ajax Custom Grips, Inc., 9130 Viscount Row, Dallas, TX 75247 / 214-630-8893; FAX: 214-630-4942

Aker International, Inc., 2248 Main St., Suite 6, Chula Vista, CA 91911 / 619-423-5182; FAX: 619-423-1363

aker@akerleather.com www.akerleather.com

AKJ Concealco, P.O. Box 871596, Vancouver, WA 98687-1596 / 360-891-8222; FAX: 360-891-8221

Concealco@aol.com www.greatholsters.com

Alana Cupp Custom Engraver, P.O. Box 207, Annabella, UT 84711 / 801-896-4834

Alaska Bullet Works, Inc., 9978 Crazy Horse Drive, Juneau, AK 99801 / 907-789-3834; FAX: 907-789-3433

Alaskan Silversmith, The, 2145 Wagner Hollow Rd., Fort Plain, NY 13339 / 518-993-3983 sidbell@capital.net

www.sidbell.cizland.com

Aldis Gunsmithing & Shooting Supply, 502 S. Montezuma St., Prescott, AZ 86303 / 602-445-6723; FAX: 602-445-6763

Alessi Holsters, Inc., 2465 Niagara Falls Blvd., Amherst, NY 14228-3527 / 716-691-5615

Alex, Inc., 3420 Cameron Bridge Rd., Manhattan, MT 59741-8523 / 406-282-7396; FAX: 406-282-7396

Alfano, Sam, 36180 Henry Gaines Rd., Pearl River, LA 70452 / 504-863-3364; FAX: 504-863-7715

All American Lead Shot Corp., P.O. Box 224566, Dallas, TX 75062

All Rite Products, Inc., 9554 Wells Circle, Suite D, West Jordan, UT 84088-6226 / 800-771-8471; FAX: 801-280-8302 info@allriteproducts.com

www.allriteproducts.com

Allard, Gary/Creek Side Metal & Woodcrafters, Fishers Hill, VA 22626 / 703-465-3903

Allen Co., Inc., 525 Burbank St., Broomfield, CO 80020 / 303-469-1857; or 800-876-8600; FAX: 303-466-7437

Allen Firearm Engraving, P.O. Box 155, Camp Verde, AZ 86322 / 928-567-6711 rosebudmukco@netzero.com

Allen Mfg., 6449 Hodgson Rd., Circle Pines, MN 55014 / 612-429-8231

Alley Supply Co., PO Box 848, Gardnerville, NV 89410 / 775-782-3800; FAX: 775-782-3827 jetalley@aol.com

www.alleysupplyco.com

Alliant Techsystems Smokeless Powder Group, P.O. Box 6, Rt. 114, Bldg. 229, Radford, VA 24141-0096

www.alliantpowder.com

Allred Bullet Co., 932 Evergreen Drive, Logan, UT 84321 / 435-752-6983; FAX: 435-752-6983

All's, The Jim J. Tembelis Co., Inc., 216 Loper Ct., Neenah, WI 54956 / 920-725-5251; FAX: 920-725-5251

Alpec Team, Inc., 201 Ricken Backer Cir., Livermore, CA 94550 / 510-606-8245; FAX: 510-606-4279

Alpha 1 Drop Zone, 2121 N. Tyler, Wichita, KS 67212 / 316-729-0800; FAX: 316-729-4262

www.alpha1dropzone.com

Alpha LaFranck Enterprises, P.O. Box 81072, Lincoln, NE 68501 / 402-466-3193

Alpha Precision, Inc., 3238 Della Slaton Rd., Comer, GA 30629-2212 / 706-783-2131

jim@alphaprecisioninc.com www.alphaprecisioninc.com

Alpine Indoor Shooting Range, 2401 Government Way, Coeur d'Alene, ID 83814 / 208-676-8824; FAX: 208-676-8824

Altamont Co., 901 N. Church St., P.O. Box 309, Thomasboro, IL 61878 / 217-643-3125; or 800-626-5774; FAX: 217-643-7973

Alumna Sport by Dee Zee, 1572 NE 58th Ave., P.O. Box 3090, Des Moines, IA 50316 / 800-798-9899

Amadeo Rossi S.A., Rua: Amadeo Rossi, 143, Sao Leopoldo, RS 93030-220 BRAZIL / 051-592-5566

AmBr Software Group Ltd., P.O. Box 301, Reisterstown, MD 21136-0301 / 800-888-1917; FAX: 410-526-7212

American Ammunition, 3545 NW 71st St., Miami, FL 33147 / 305-835-7400; FAX: 305-694-0037

American Derringer Corp., 127 N. Lacy Dr., Waco, TX 76705 / 800-642-7817; or 254-799-9111; FAX: 254-799-7935

American Display Co., 55 Cromwell St., Providence, RI 02907 / 401-331-2464; FAX: 401-421-1264

American Gas & Chemical Co., Ltd, 220 Pegasus Ave, Northvale, NJ 07647 / 201-767-7300

American Gripcraft, 3230 S Dodge 2, Tucson, AZ 85713 / 602-790-1222

American Gunsmithing Institute, 1325 Imola Ave #504, Napa, CA 94559 / 707-253-0462; FAX: 707-253-7149

American Handgunner Magazine, 591 Camino de la Reina, Ste. 200, San Diego, CA 92108 / 619-297-5350; FAX: 619-297-5353

American Pioneer Video, PO Box 50049, Bowling Green, KY 42102-2649 / 800-743-4675

American Products, Inc., 14729 Spring Valley Road, Morrison, IL 61270 / 815-772-3336; FAX: 815-772-8046

American Safe Arms, Inc., 1240 Riverview Dr., Garland, UT 84312 / 801-257-7472; FAX: 801-785-8156

American Security Products Co., 11925 Pacific Ave., Fontana, CA 92337 / 909-685-9680; or 800-421-6142; FAX: 909-685-9685

American Small Arms Academy, P.O. Box 12111, Prescott, AZ 86304 / 602-778-5623

American Target, 1328 S. Jason St., Denver, CO 80223 / 303-733-0433; FAX: 303-777-0311

American Target Knives, 1030 Brownwood NW, Grand Rapids, MI 49504 / 616-453-1998

Americase, P.O. Box 271, 1610 E. Main, Waxahachie, TX 75165 / 800-880-3629; FAX: 214-937-8373

Ames Metal Products, 4323 S. Western Blvd., Chicago, IL 60609 / 773-523-3230; or 800-255-6937; FAX: 773-523-3854

Amherst Arms, P.O. Box 1457, Englewood, FL 34295 / 941-475-2020; FAX: 941-473-1212

Ammo Load, Inc., 1560 E. Edinger, Suite G, Santa Ana, CA 92705 / 714-558-8858; FAX: 714-569-0319

Amrine's Gun Shop, 937 La Luna, Ojai, CA 93023 / 805-646-2376

Amsec, 11925 Pacific Ave., Fontana, CA 92337

Analog Devices, Box 9106, Norwood, MA 02062

Andela Tool & Machine, Inc., RD3, Box 246, Richfield Springs, NY 13439

Anderson Manufacturing Co., Inc., 22602 53rd Ave. SE, Bothell, WA 98021 / 206-481-1858; FAX: 206-481-7839

Andres & Dworsky KG, Bergstrasse 18, A-3822 Karlstein, Thaya, AUSTRIA / 0 28 44-285; FAX: 02844 28619

andres.dvorsky@wvnet.as

Angelo & Little Custom Gun Stock Blanks, P.O. Box 240046, Dell, MT 59724-0046

Answer Products Co., 1519 Westbury Drive, Davison, MI 48423 / 810-653-2911

Antique American Firearms, P.O. Box 71035, Dept. GD, Des Moines, IA 50325 / 515-224-6552

Antique Arms Co., 1110 Cleveland Ave., Monett, MO 65708 / 417-235-6501

AO Sight Systems, 2401 Ludelle St., Fort Worth, TX 76105 / 888-744-4880; or 817-536-0136; FAX: 817-536-3517

Apel GMBH, Ernst, Am Kirschberg 3, D-972118, Gerbrunn, GERMANY / 0 (931) 707192 info@eaw.de www.eaw.de

Aplan Antiques & Art, James O., James O., HC 80, Box 793-25, Piedmont, SD 57769 / 605-347-5016

AR-7 Industries, LLC, 998 N. Colony Rd., Meriden, CT 06450 / 203-630-3536; FAX: 203-630-3637

Arizona Ammunition, Inc., 21421 No. 14th Ave., Suite E, Phoenix, AZ 85027 / 623-516-9004; FAX: 623-516-9012

www.azammo.com

ArmaLite, Inc., P.O. Box 299, Geneseo, IL 61254 / 800-336-0184; or 309-944-6939; FAX: 309-944-6949

Armament Gunsmithing Co., Inc., 525 Rt. 22, Hillside, NJ 07205 / 908-686-0960; FAX: 718-738-5019

armamentgunsmithing@worldnet.att.net

Armas Garbi, S.A., 12-14 20.600 Urki, 12, Eibar (Guipuzcoa), SPAIN / 943203873; FAX: 943203873

armosgarbi@euskalnet.n

Armas Kernen S. A. (See U.S. Importers)

Armfield Custom Bullets, 10584 County Road 100, Carthage, MO 64836 / 417-359-8480; FAX: 417-359-8497

Armi Perazzi S.P.A., Via Fontanelle 1/3, 1-25080, Botticino Mattina, ITALY / 030-2692591; FAX: 030 2692594

Armi San Marco (See U.S. Importers-Taylor's & Co.)

Armi San Paolo, 172-A, I-25062, via Europa, ITALY / 030-2751725

Armi Sport (See U.S. Importers-Cape Outfitters)

Armitte Laboratories, 1560 Superior Ave., Costa Mesa, CA 92627 / 213-587-7768; FAX: 213-587-5075

Armoloy Co. of Ft. Worth, 204 E. Daggett St., Fort Worth, TX 76104 / 817-332-5604; FAX: 817-335-6517

Armor (See Buck Stop Lure Co., Inc.)

MANUFACTURER'S DIRECTORY

- Armor Metal Products, P.O. Box 4609, Helena, MT 59604 / 406-442-5560; FAX: 406-442-5560
- Armory Publications, 2120 S. Reserve St., PMB 253, Missoula, MT 59801 / 406-549-7670; FAX: 406-728-0597 armorypub@aol.com www.armorypub.com
- Armoury, Inc., The, Rt. 202, Box 2340, New Preston, CT 06777 / 860-868-0001; FAX: 860-868-2919
- Arms & Armour Press, Wellington House, 125 Strand, London, WC2R 0BB ENGLAND / 0171-420-5555; FAX: 0171-240-7265
- Arms Corporation of the Philippines, Bo. Parang Marikina, Metro Manila, PHILIPPINES / 632-941-6243; or 632-941-6244; FAX: 632-942-0682
- Arms Craft Gunsmithing, 1106 Linda Dr., Arroyo Grande, CA 93420 / 805-481-2830
- Arms Software, 4851 SW Madrona St., Lake Oswego, OR 97035 / 800-366-5559; or 503-697-0533; FAX: 503-697-3337
- Arms, Programming Solutions (See Arms Software)
- Armstrong Precision, 5740 S. Arville St. #219, Las Vegas, NV 89118 / 702-362-7750
- Armstrong USA, Inc., 4424 John Ave., Baltimore, MD 21227 / 410-247-6200; FAX: 410-247-6205 info@armstrongusa.com www.armstrongusa.com
- Arratoonian, Andy (See Horseshoe Leather Products)
- Arrieta S.L., Morkaiko 5, 20870, Elgoibar, SPAIN / 34-43-743150; FAX: 34-43-743154
- Art Jewel Enterprises Ltd., Eagle Business Ctr., 460 Randy Rd., Carol Stream, IL 60188 / 708-260-0400
- Artistry in Wood, 134 Zimmerman Rd., Kalispell, MT 59901 / 406-257-9003; FAX: 406-257-9167 merlins@digisys.net www.acrabondlaminates.com
- Art's Gun & Sport Shop, Inc., 6008 Hwy. Y, Hillsboro, MO 63050
- Arundel Arms & Ammunition, Inc., A., 24A Defense St., Annapolis, MD 21401 / 410-224-8683
- Ashley Outdoors, Inc., 2401 Ludelle St., Fort Worth, TX 76105 / 888-744-4880; FAX: 800-734-7939
- Aspen Outfitting Co., Jon Hollinger, 9 Dean St., Aspen, CO 81611 / 970-925-3406
- A-Square Co., 205 Fairfield Ave., Jeffersonville, IN 47130 / 812-283-0577; FAX: 812-283-0375
- Astra Sport, S.A., Apartado 3, 48300 Guernica, Espagne, SPAIN / 34-4-6250100; FAX: 34-4-6255186
- Atamec-Bretton, 19 rue Victor Grignard, F-42026, St.-Etienne (Cedex 1, FRANCE / 77-93-54-69; FAX: 33-77-93-57-98
- Atlanta Cutlery Corp., 2143 Gees Mill Rd., Box 839 CIS, Conyers, GA 30207 / 800-883-0300; FAX: 404-388-0246
- Atlantic Mills, Inc., 1295 Towbin Ave., Lakewood, NJ 08701-5934 / 800-242-7374
- Atlantic Rose, Inc., P.O. Box 10717, Bradenton, FL 34282-0717
- Atsko/Sno-Seal, Inc., 2664 Russell St., Orangeburg, SC 29115 / 803-531-1820; FAX: 803-531-2139 info@atsko.com www.atsko.com
- Auguste Francotte & Cie S.A., rue du Trois Juin 109, 4400 Herstal-Liege, BELGIUM / 32-4-248-13-18; FAX: 32-4-948-11-79
- Austin & Halleck, Inc., 2150 South 950 East, Provo, UT 84606-6285 / 877-543-3256; or 801-374-9990; FAX: 801-374-9998 www.austinhalleck.com
- Austin Sheridan USA, Inc., P.O. Box 577, 36 Haddam Quarter Rd., Durham, CT 06422 / 860-349-1772; FAX: 860-349-1771 swalzer@palm.net
- Autauga Arms, Inc., Pratt Plaza Mall No. 13, Prattville, AL 36067 / 800-262-9563; FAX: 334-361-2961
- Auto Arms, 738 Clearview, San Antonio, TX 78228 / 512-434-5450
- Auto-Ordnance Corp., PO Box 220, Blauvelt, NY 10913 / 914-353-7770
- Autumn Sales, Inc. (Blaser), 1320 Lake St., Fort Worth, TX 76102 / 817-335-1634; FAX: 817-338-0119
- Avnda Otaola Norrica, 16 Apartado 68, 20600, Eibar, SPAIN
- AWC Systems Technology, P.O. Box 41938, Phoenix, AZ 85080-1938 / 623-780-1050; FAX: 623-780-2967 awc@awcsystech.com www.awcsystech.com
- Axtell Rifle Co., 353 Mill Creek Road, Sheridan, MT 59749 / 406-842-5814
- AYA (See U.S. Importer-New England Custom Gun Serv
- B.A.C., 17101 Los Modelos St., Fountain Valley, CA 92708 / 435-586-3286
- B.B. Walker Co., PO Box 1167, 414 E Dixie Dr, Asheboro, NC 27204 / 910-625-1380; FAX: 910-625-8125
- B.C. Outdoors, Larry McGhee, PO Box 61497, Boulder City, NV 89006 / 702-294-3056; FAX: 702-294-0413 jdalton@pmcammo.com www.pmcammo.com
- B.M.F. Activator, Inc., 12145 Mill Creek Run, Plantersville, TX 77363 / 936-894-2397; FAX: 936-894-2397 bmf25years@aol.com
- Badger Creek Studio, 1629 Via Monserate, Fallbrook, CA 92028 / 760-723-9279; or 619-728-2663
- Badger Shooters Supply, Inc., P.O. Box 397, Owen, WI 54460 / 800-424-9069; FAX: 715-229-2332
- Baekgaard Ltd., 1855 Janke Dr., Northbrook, IL 60062 / 708-498-3040; FAX: 708-493-3106
- Baelder, Harry, Alte Goennebeker Strasse 5, 24635, Rickling, GERMANY / 04328-722732; FAX: 04328-722733
- Baer's Hollows, P.O. Box 284, Eads, CO 81036 / 719-438-5718
- Bagmaster Mfg., Inc., 2731 Sutton Ave., St. Louis, MO 63143 / 314-781-8002; FAX: 314-781-3363 sales@bagmaster.com www.bagmaster.com
- Bain & Davis, Inc., 307 E. Valley Blvd., San Gabriel, CA 91776-3522 / 626-573-4241 baindavis@aol.com
- Baker, Stan. See: STAN BAKER SPORTS
- Baker's Leather Goods, Roy, PO Box 893, Magnolia, AR 71754 / 870-234-0344 pholsters@ipa.net
- Bald Eagle Precision Machine Co., 101-A Allison St., Lock Haven, PA 17745 / 570-748-6772; FAX: 570-748-4443
- Balickie, Joe, 408 Trelawney Lane, Apex, NC 27502 / 919-362-5185
- Ballard, Donald. See: BALLARD INDUSTRIES
- Ballard Industries, Donald Ballard Sr., PO Box 2035, Arnold, CA 95223 / 408-996-0957; FAX: 408-257-6828
- Ballard Rifle & Cartridge Co., LLC, 113 W. Yellowstone Ave., Cody, WY 82414 / 307-587-4914; FAX: 307-527-6097 ballard@wyoming.com www.ballardrifles.com
- Ballistic Products, Inc., 20015 75th Ave. North, Corcoran, MN 55340-9456 / 763-494-9237; FAX: 763-494-9236 info@ballisticproducts.com www.ballisticproducts.com
- Ballistic Research, 1108 W. May Ave., McHenry, IL 60050 / 815-385-0037
- Ballisti-Cast, Inc., P.O. Box 1057, Minot, ND 58702-1057 / 701-497-3333; FAX: 701-497-3335
- Bandcor Industries, Div. of Man-Sew Corp., 6108 Sherwin Dr., Port Richey, FL 34668 / 813-848-0432
- Bang-Bang Boutique (See Holster Shop, The)
- Bansner's Ultimate Rifles, LLC, P.O. Box 839, 261 E. Main St., Adamstown, PA 19501 / 717-484-2370; FAX: 717-484-0523 bansner@aol.com www.bansnersrifle.com
- Barbour, Inc., 55 Meadowbrook Dr., Milford, NH 03055 / 603-673-1313; FAX: 603-673-6510
- Barnes, 4347 Tweed Dr., Eau Claire, WI 54703-6302
- Barnes Bullets, Inc., P.O. Box 215, American Fork, UT 84003 / 801-756-4222; or 800-574-9200; FAX: 801-756-2465 email@barnesbullets.com www.barnesbullets.com
- Baron Technology, 62 Spring Hill Rd., Trumbull, CT 06611 / 203-452-0515; FAX: 203-452-0663 dbaron@baronengraving.com www.baronengraving.com
- Barracough, John K., 55 Merit Park Dr., Gardena, CA 90247 / 310-324-2574 johnbar120@aol.com
- Barramundi Corp., P.O. Drawer 4259, Homosassa Springs, FL 32687 / 904-628-0200
- Barrel & Gunworks, 2601 Lake Valley Rd., Prescott Valley, AZ 86314 / 928-772-4060 www.cutrifle.com
- Barrett Firearms Manufacturer, Inc., P.O. Box 1077, Murfreesboro, TN 37133 / 615-896-2938; FAX: 615-896-7313
- Bar-Sto Precision Machine, 73377 Sullivan Rd., PO Box 1838, Twentynine Palms, CA 92277 / 760-367-2747; FAX: 760-367-2407 barsto@eee.org www.barsto.com
- Barta's Gunsmithing, 10231 US Hwy. 10, Cato, WI 54230 / 920-732-4472
- Bardeaux Machete, 1916 SE 50th Ave., Portland, OR 97215-3238 / 503-233-5880
- Bartlett Engineering, 40 South 200 East, Smithfield, UT 84335-1645 / 801-563-5910
- Bates Engraving, Billy, 2302 Winthrop Dr. SW, Decatur, AL 35603 / 256-355-3690 bbrn@aol.com
- Battenfeld Technologies Inc., 5885 W. Van Horn Tavern Rd., Columbia, MO 65203 / 573-445-9200; FAX: 573-447-4158 battenfeldtechnologies.com
- Bauer, Eddie, 15010 NE 36th St., Redmond, WA 98052
- Baumgartner Bullets, 3011 S. Alane St., W. Valley City, UT 84120
- Bauska Barrels, 105 9th Ave. W., Kalispell, MT 59901 / 406-752-7706
- Bear Archery, RR 4, 4600 Southwest 41st Blvd., Gainesville, FL 32601 / 904-376-2327
- Bear Arms, 374-A Carson Road, St. Mathews, SC 29135
- Bear Mountain Gun & Tool, 120 N. Plymouth, New Plymouth, ID 83655 / 208-278-5221; FAX: 208-278-5221
- Beartooth Bullets, PO Box 491, Dept. HLD, Dover, ID 83825-0491 / 208-448-1865 bullets@beartoothbullets.com beartoothbullets.com
- Beaver Park Product, Inc., 840 J St., Penrose, CO 81240 / 719-372-6744
- BEC, Inc., 1227 W. Valley Blvd., Suite 204, Alhambra, CA 91803 / 626-281-5751; FAX: 626-293-7073
- Beeks, Mike. See: GRAYBACK WILDCATS
- Beeman Precision Airguns, 5454 Argosy Dr., Huntington Beach, CA 92649 / 714-890-4808; FAX: 714-890-4808
- Behlert Precision, Inc., P.O. Box 288, 7067 Easton Rd., Pipersville, PA 18947 / 215-766-8681; or 215-766-7301; FAX: 215-766-8681
- Beitzinger, George, 116-20 Atlantic Ave., Richmond Hill, NY 11419 / 718-847-7661
- Belding's Custom Gun Shop, 10691 Sayers Rd., Munith, MI 49259 / 517-596-2388
- Bell & Carlson, Inc., Dodge City Industrial Park, 101 Allen Rd., Dodge City, KS 67801 / 800-634-8586; or 620-225-6688; FAX: 620-225-6688 email@bellandcarlson.com www.bellandcarlson.com
- Bell Reloading, Inc., 1725 Harlin Lane Rd., Villa Rica, GA 30180
- Bell's Gun & Sport Shop, 3309-19 Mannheim Rd, Franklin Park, IL 60131
- Bell's Legendary Country Wear, 22 Circle Dr., Bellmore, NY 11710 / 516-679-1158
- Benchmark Knives (See Gerber Legendary Blades)
- Benelli Armi S.P.A., Via della Stazione, 61029, Urbino, ITALY / 39-722-307-1; FAX: 39-722-327427
- Benelli USA Corp, 17603 Indian Head Hwy, Accokeek, MD 20607 / 301-283-6981; FAX: 301-283-6988 benelliusa.com
- Bengtson Arms Co., L., 6345-B E. Akron St., Mesa, AZ 85205 / 602-981-6375
- Benjamin/Sheridan Co., Crosman, Rts. 5 and 20, E. Bloomfield, NY 14443 / 716-657-6161; FAX: 716-657-5405 www.crosman.com
- Bentley, John, 128-D Watson Dr., Turtle Creek, PA 15145
- Beretta S.P.A., Pietro, Via Beretta, 18, 25063, Gardone Vae Trompia, ITALY / 39-30-8341-1 info@benetta.com www.benetta.com
- Beretta U.S.A. Corp., 17601 Beretta Drive, Accokeek, MD 20607 / 301-283-2191; FAX: 301-283-0435
- Berger Bullets Ltd., 5443 W. Westwind Dr., Glendale, AZ 85310 / 602-842-4001; FAX: 602-934-9083
- Bernardelli, Vincenzo, P.O. Box 460243, Houston, TX 77056-8243 www.bernardelli.com
- Bernardelli, Vincenzo, Via Grande, 10, Sede Legale Torbole Casaglia, Brescia, ITALY / 39-30-8912851-2; FAX: 39-030-2150963 bernardelli@bernardelli.com www.bernardelli.com
- Berry's Mfg., Inc., 401 North 3050 East St., St. George, UT 84770 / 435-634-1682; FAX: 435-634-1683 sales@berrysmfg.com www.berrysmfg.com
- Bersa S.A., Benso Bonadimani, Magallanes 775 B1704 FLC, Ramos Mejia, ARGENTINA / 011-4656-2377; FAX: 011-4656-2093+ info@bersa-sa.com dr www.bersa-sa.com.ar
- Bert Johanssons Vapentillbehov, S-430 20 Veddigge, SWEDEN
- Bertuzzi (See U.S. Importer-New England Arms Co)
- Better Concepts Co., 663 New Castle Rd., Butler, PA 16001 / 412-285-9000
- Beverly, Mary, 3201 Horseshoe Trail, Tallahassee, FL 32312
- Bianchi International, Inc., 100 Calle Cortez, Temecula, CA 92590 / 909-676-5621; FAX: 909-676-6777
- Big Bear Arms & Sporting Goods, Inc., 1112 Milam Way, Carrollton, TX 75006 / 972-416-8051; or 800-400-BEAR; FAX: 972-416-0771
- Big Bore Bullets of Alaska, PO Box 521455, Big Lake, AK 99652 / 907-373-2673; FAX: 907-373-2673 doug@mtaonline.net www.awloo.com/bbb/index.
- Big Bore Express, 16345 Midway Rd., Nampa, ID 83651 / 208-466-9975; FAX: 208-466-6927 bigbore.com
- Big Spring Enterprises "Bore Stores", P.O. Box 1115, Big Spring Rd., Yellville, AR 72687 / 870-449-5297; FAX: 870-449-4446
- Bilal, Mustafa. See: TURK'S HEAD PRODUCTIONS
- Bilinski, Bryan. See: FIELDSPORT LTD.
- Bill Adair Custom Shop, 2886 Westridge, Carrollton, TX 75006 / 972-418-0950

MANUFACTURER'S DIRECTORY

- Bill Austin's Calls, Box 284, Kaycee, WY 82639 / 307-738-2552
- Bill Hanus Birdguns, P.O. Box 533, Newport, OR 97365 / 541-265-7433; FAX: 541-265-7400
www.billhanusbirdguns.com
- Bill Russ Trading Post, William A. Russ, 25 William St., Addison, NY 14801-1326 / 607-359-3896
- Bill Wiseman and Co., P.O. Box 3427, Bryan, TX 77805 / 409-690-3456; FAX: 409-690-0156
- Billeb, Stephn. See: QUALITY CUSTOM FIREARMS
- Billings Gunsmiths, 1841 Grand Ave., Billings, MT 59102 / 406-256-8390; FAX: 406-256-6530
bigsgunsmiths@msn.com www.billingsgunsmiths.net
- Billingsley & Brownell, P.O. Box 25, Dayton, WY 82836 / 307-655-9344
- Bill's Gun Repair, 1007 Burlington St., Mendota, IL 61342 / 815-539-5786
- Billy Bates Engraving, 2302 Winthrop Dr. SW, Decatur, AL 35603 / 256-355-3690 bbrn@aol.com
- Birchwood Casey, 7900 Fuller Rd., Eden Prairie, MN 55344 / 800-328-6156; or 612-937-7933; FAX: 612-937-7979
- Birdsong & Assoc., W. E., 1435 Monterey Rd., Florence, MS 39073-9748 / 601-366-8270
- Bismuth Cartridge Co., 3500 Maple Ave., Suite 1650, Dallas, TX 75219 / 214-521-5880; FAX: 214-521-9035
- Bison Studios, 1409 South Commerce St., Las Vegas, NV 89102 / 702-388-2891; FAX: 702-383-9967
- Bitterroot Bullet Co., 2001 Cedar Ave., Lewiston, ID 83501-0412 / 208-743-5635 brootbil@lewiston.com
- BKL Technologies, PO Box 5237, Brownsville, TX 78523
- Black Belt Bullets (See Big Bore Express)
- Black Hills Ammunition, Inc., P.O. Box 3090, Rapid City, SD 57709-3090 / 605-348-5150; FAX: 605-348-9827
- Black Hills Shooters Supply, P.O. Box 4220, Rapid City, SD 57709 / 800-289-2506
- Black Powder Products, 67 Township Rd. 1411, Chesapeake, OH 45619 / 614-867-8047
- Black Sheep Brand, 3220 W. Gentry Parkway, Tyler, TX 75702 / 903-592-3853; FAX: 903-592-0527
- Blacksmith Corp., P.O. Box 280, North Hampton, OH 45349 / 937-969-8389; FAX: 937-969-8399
sales@blacksmithcorp.com www.blacksmithcorp.com
- BlackStar AccuMax Barrels, 11501 Brittmoore Park Drive, Houston, TX 77041 / 281-721-6040; FAX: 281-721-6041
- BlackStar Barrel Accurizing (See BlackStar AccuMax)
- Blacktail Mountain Books, 42 First Ave. W., Kallispell, MT 59901 / 406-257-5573
- Blammo Ammo, P.O. Box 1677, Seneca, SC 29679 / 803-882-1768
- Blaser Jagdaffen GmbH, D-88316, Isny Im Allgau, GERMANY
- Blount, Inc., Sporting Equipment Div., 2299 Snake River Ave., P.O. Box 856, Lewiston, ID 83501 / 800-627-3640; or 208-746-2351; FAX: 208-799-3904
- Blount/Outers ATK, P.O. Box 39, Onalaska, WI 54650 / 608-781-5800; FAX: 608-781-0368
- Blue and Gray Products Inc. (See Ox-Yoke Originals)
- Blue Book Publications, Inc., 8009 34th Ave. S., Ste. 175, Minneapolis, MN 55425 / 952-854-5229; FAX: 952-853-1486 bluebook@bluebookinc.com
www.bluebookinc.com
- Blue Mountain Bullets, 64146 Quail Ln., Box 231, John Day, OR 97845 / 541-820-4594; FAX: 541-820-4594
- Blue Ridge Machinery & Tools, Inc., P.O. Box 536-GD, Hurricane, WV 25526 / 800-872-6500; FAX: 304-562-5311 blueridgemachine@worldnet.att.net
www.blueridgemachinery.com
- BMC Supply, Inc., 26051 - 179th Ave. S.E., Kent, WA 98042
- Bob Allen Co., P.O. Box 477, 214 SW Jackson, Des Moines, IA 50315 / 800-685-7020; FAX: 515-283-0779
- Bob Allen Sportswear, 220 S. Main St., Osceola, IA 50213 / 210-344-8531; FAX: 210-342-2703
sales@bob-allen.com www.bob-allen.com
- Bob Rogers Gunsmithing, P.O. Box 305, 344 S. Walnut St., Franklin Grove, IL 61031 / 815-456-2685; FAX: 815-456-2685
- Bob's Gun Shop, P.O. Box 200, Royal, AR 71968 / 501-767-1970; FAX: 501-767-1970 gunparts@hsnp.com
www.gun-parts.com
- Bob's Tactical Indoor Shooting Range & Gun Shop, 90 Lafayette Rd., Salisbury, MA 01952 / 508-465-5561
- Boessler, Erich, Am Vogelital 3, 97702, Munnerstadt, GERMANY
- Boker USA, Inc., 1550 Balsam Street, Lakewood, CO 80214 / 303-462-0662; FAX: 303-462-0668
sales@bokerusa.com bokerusa.com
- Boltin, John M., P.O. Box 644, Estill, SC 29918 / 803-625-2185
- Bo-Mar Tool & Mfg. Co., 6136 State Hwy. 300, Longview, TX 75604 / 903-759-4784; FAX: 903-759-9141
marykor@earthlink.net bo-mar.com
- Bonadimani, Benso. See: BERSA S.A.
- Bonanza (See Forster Products), 310 E. Lanark Ave., Lanark, IL 61046 / 815-493-6360; FAX: 815-493-2371
- Bond Arms, Inc., P.O. Box 1296, Granbury, TX 76048 / 817-573-4445; FAX: 817-573-5636
- Bond Custom Firearms, 8954 N. Lewis Ln., Bloomington, IN 47408 / 812-332-4519
- Bonham's & Butterfields, 220 San Bruno Ave., San Francisco, CA 94103 / 415-861-7500; FAX: 415-861-0183
arms@butterfields.com www.butterfields.com
- Boone Trading Co., Inc., PO Box 669, Brinnon, WA 98320 / 800-423-1945; or 360-796-4330; FAX: 360-796-4511
sales@boonetradings.com boonetradings.com
- Boone's Custom Ivory Grips, Inc., 562 Coyote Rd., Brinnon, WA 98320 / 206-796-4330
- Boonie Packer Products, P.O. Box 12517, Salem, OR 97309-0517 / 800-477-3244; or 503-581-3244; FAX: 503-581-3191 booniepacker@aol.com
www.booniepacker.com
- Borden Ridges Rimrock Stocks, RR 1 Box 250 BC, Springville, PA 18844 / 570-965-2505; FAX: 570-965-2328
- Borden Rifles Inc., RD 1, Box 250BC, Springville, PA 18844 / 717-965-2505; FAX: 717-965-2328
- Border Barrels Ltd., Riccarton Farm, Newcastleton, SCOTLAND UK
- Borovnik KG, Ludwieg, 9170 Ferlach, Bahnhofstrasse 7, AUSTRIA / 042 27 24 42; FAX: 042 26 43 49
- Bosis (See U.S. Importer-New England Arms Co.)
- Boss Manufacturing Co., 221 W. First St., Kewanee, IL 61443 / 309-852-2131; or 800-447-4581; FAX: 309-852-0848
- Bostick Wildlife Calls, Inc., P.O. Box 728, Estill, SC 29918 / 803-625-2210; or 803-625-4512
- Bowen Classic Arms Corp., P.O. Box 67, Louisville, TN 37777 / 865-984-3583 www.bowenclassicarms.com
- Bowen Knife Co., Inc., P.O. Box 590, Blackshear, GA 31516 / 912-449-4794
- Bowerly, Kent, 710 Golden Pheasant Dr., Redmond, OR 97756 / 541-923-3501 jkbowerly@aol.com
- Boyd's Gunstock Industries, Inc., 25376 403 Rd. Ave., Mitchell, SD 57301 / 605-996-5011; FAX: 605-996-9878
- Brace, Larry D., 771 Blackfoot Ave., Eugene, OR 97404 / 541-688-1278; FAX: 541-607-5833
- Brass Eagle, Inc., 7050A Bramalea Rd., Unit 19, Mississauga, ON L4Z 1C7 CANADA / 416-848-4844
- Brauer Bros., 1520 Washington Avenue., St. Louis, MO 63103 / 314-231-2864; FAX: 314-249-4952
www.brauerbros.com
- Break-Free, Inc., 13386 International Parkway, Jacksonville, FL 32218 / 800-428-0588; FAX: 904-741-5407
contactus@armorholdings.com www.break-free.com
- Brenneke GmbH, P.O. Box 1646, 30837 Langenhagen, Langenhagen, GERMANY / +49-511-97262-0; FAX: +49-511-97262-62 info@brenneke.de brenneke.com
- Bridgeman Products, Harry Jaffin, 153 B Cross Slope Court, Englishtown, NJ 07726 / 732-536-3604; FAX: 732-972-1004
- Bridgers Best, P.O. Box 1410, Berthoud, CO 80513
- Briese Bullet Co., Inc., 3442 42nd Ave. SE, Tappen, ND 58487 / 701-327-4578; FAX: 701-327-4579
- Brigade Quartermasters, 1025 Cobb International Blvd., Dept. VH, Kennesaw, GA 30144-4300 / 404-428-1248; or 800-241-3125; FAX: 404-426-7726
- Briganti, A.J., 512 Rt. 32, Highland Mills, NY 10930 / 914-928-9573
- Briley Mfg. Inc., 1230 Lumpkin, Houston, TX 77043 / 800-331-5718; or 713-932-6995; FAX: 713-932-1043
- Brill, R. See: ROYAL ARMS INTERNATIONAL
- British Sporting Arms, RR1, Box 130, Millbrook, NY 12545 / 914-677-8303
- Broad Creek Rifle Works, Ltd., 120 Horsey Ave., Laurel, DE 19956 / 302-875-5446; FAX: 302-875-1448
bcrrw4guns@aol.com
- Brockman's Custom Gunsmithing, P.O. Box 357, Gooding, ID 83330 / 208-934-5050
- Brocock Ltd., 43 River Street, Digbeth, Birmingham, B5 5SA ENGLAND / 011-021-773-1200; FAX: 011-021-773-1211 sales@brocock.co.uk
www.brocock.co.uk
- Broken Gun Ranch, 10739 126 Rd., Spearville, KS 67876 / 316-385-2587; FAX: 316-385-2597 nbowlin@ucom.net
www.brokengunranch
- Brooker, Dennis, Rt. 1, Box 12A, Derby, IA 50068 / 515-533-2103
- Brooks Tactical Systems-Agrip, 279-C Shorewood Ct., Fox Island, WA 98333 / 253-549-2866 FAX: 253-549-2703
brooks@brookstactical.com www.brookstactical.com
- Brown Co., E. Arthur, 3404 Pawnee Dr., Alexandria, MN 56308 / 320-762-8847
- Brown Dog Ent., 2200 Calle Camelia, 1000 Oaks, CA 91360 / 805-497-2318; FAX: 805-497-1618
- Brown Precision, Inc., 7786 Molinos Ave., Los Molinos, CA 96055 / 530-384-2506; FAX: 916-384-1638
www.brownprecision.com
- Brown Precision, Inc., Ed, 43825 Muldrow Trail, Perry, MO 63462 / 573-565-3261; FAX: 573-565-2791
edbrown@edbrown.com www.edbrown.com
- Brownells, Inc., 200 S. Front St., Montezuma, IA 50171 / 800-741-0015; FAX: 800-264-3068
orderdesk@brownells.com www.brownells.com
- Browning Arms Co., One Browning Place, Morgan, UT 84050 / 801-876-2711; FAX: 801-876-3331
www.browning.com
- Browning Arms Co. (Parts & Service), 3005 Arnold Tenbrook Rd., Arnold, MO 63010 / 617-287-6800; FAX: 617-287-9751
- BRP, Inc. High Performance Cast Bullets, 1210 Alexander Rd., Colorado Springs, CO 80909 / 719-633-0658
- Brunton U.S.A., 620 E. Monroe Ave., Riverton, WY 82501 / 307-856-6559; FAX: 307-857-4702 info@brunton.com
www.brunton.com
- Bryan & Assoc., R D Sauls, PO Box 5772, Anderson, SC 29623-5772 / 864-261-6810 bryanandac@aol.com
www.huntersweb.com/bryanandac
- Brynin, Milton, P.O. Box 383, Yonkers, NY 10710 / 914-779-4333
- BSA Guns Ltd., Armoury Rd. Small Heath, Birmingham B11 2PP, ENGLAND / 011-021-772-8543; FAX: 011-021-773-0845 sales@bsagun.com
www.bsagun.com
- BSA Optics, 3911 SW 47th Ave., Ste. 914, Ft. Lauderdale, FL 33314 / 954-581-2144; FAX: 954-581-3165
4info@bsaoptics.com www.bsaoptics.com
- B-Square Company, Inc., P.O. Box 11281, 2708 St. Louis Ave., Ft. Worth, TX 76110 / 817-923-0964 or 800-433-2909; FAX: 817-926-7012
- Buchsenmachermeister, Peter Hofer Jagdaffen, Buchsenmachermeister, Kirchgasse 24 A-9170, Ferlach, AUSTRIA / 43 4227 3683; FAX: 43 4227 368330
peterhofer@hoferwaffen.com www.hoferwaffen.com
- Buck Knives, Inc., 1900 Weld Blvd., P.O. Box 1267, El Cajon, CA 92020 / 619-449-1100; or 800-326-2825; FAX: 619-562-5774
- Buck Stix-SOS Products Co., Box 3, Neenah, WI 54956
- Buck Stop Lure Co., Inc., 3600 Grow Rd. NW, P.O. Box 636, Stanton, MI 48888 / 989-762-5091; FAX: 989-762-5124
buckstop@nethawk.com www.buckstopscents.com
- Buckeye Custom Bullets, 6490 Stewart Rd., Elida, OH 45807 / 419-641-4463
- Buckhorn Gun Works, 8109 Woodland Dr., Black Hawk, SD 57718 / 605-787-6472
- Buckskin Bullet Co., P.O. Box 1893, Cedar City, UT 84721 / 435-586-3286
- Budin, Dave, 817 Main St., P.O. Box 685, Margaretville, NY 12455 / 914-568-4103; FAX: 914-568-4105
- Budin, Dave. See: DEL-SPORTS, INC.
- Buenger Enterprises/Goldenrod Dehumidifier, 3600 S. Harbor Blvd., Oxnard, CA 93035 / 800-451-6797; or 805-985-5828; FAX: 805-985-1534
- Buffalo Arms Co., 660 Vermeer Ct., Ponderay, ID 83852 / 208-263-6953; FAX: 208-265-2096
www.buffaloarms.com
- Buffalo Bullet Co., Inc., 12637 Los Nietos Rd., Unit A, Santa Fe Springs, CA 90670 / 800-423-8069; FAX: 562-944-5054
- Buffalo Gun Center, 3385 Harlem Rd., Buffalo, NY 14225 / 716-833-2581; FAX: 716-833-2265
www.buffaloguncenter.com
- Buffalo Rock Shooters Supply, R.R. 1, Ottawa, IL 61350 / 815-433-2471
- Buffer Technologies, P.O. Box 104930, Jefferson City, MO 65110 / 573-634-8529; FAX: 573-634-8522
- Bull Mountain Rifle Co., 6327 Golden West Terrace, Billings, MT 59106 / 406-656-0778
- Bullberry Barrel Works, Ltd., 2430 W. Bullberry Ln., Hurricane, UT 84737 / 435-635-9866; FAX: 435-635-0348 fred@bullberry.com www.bullberry.com
- Bullet Metals, Bill Ferguson, P.O. Box 1238, Sierra Vista, AZ 85636 / 520-458-5321; FAX: 520-458-1421
info@theantimonyman.com www.bullet-metals.com
- Bullet N Press, 1210 Jones St., Gastonia, NC 28052 / 704-853-0265 bnpress@quik.com
www.ct.quik.com/bnpress

MANUFACTURER'S DIRECTORY

Bullet Swaging Supply, Inc., P.O. Box 1056, 303 McMillan Rd., West Monroe, LA 71291 / 318-387-3266; FAX: 318-387-7779 leblackmon@colla.com
 Bull-X, Inc., 411 E. Water St., Farmer City, IL 61842-1556 / 309-928-2574 or 800-248-3845; FAX: 309-928-2130
 Burkhart Gunsmithing, Don, P.O. Box 852, Rawlins, WY 82301 / 307-324-6007
 Burnham Bros., P.O. Box 1148, Menard, TX 78659 / 915-396-4572; FAX: 915-396-4574
 Burriss Co., Inc., PO Box 1747, 331 E. 8th St., Greeley, CO 80631 / 970-356-1670; FAX: 970-356-8702
 Bushmaster Firearms, Inc., 999 Roosevelt Trail, Windham, ME 04062 / 800-998-7928; FAX: 207-892-8068 info@bushmaster.com www.bushmaster.com
 Bushmaster Hunting & Fishing, 451 Alliance Ave., Toronto, ON M6N 2J1 CANADA / 416-763-4040; FAX: 416-763-0623
 Bushnell Sports Optics Worldwide, 9200 Cody, Overland Park, KS 66214 / 913-752-3400 or 800-423-3537; FAX: 913-752-3550
 Buster's Custom Knives, P.O. Box 214, Richfield, UT 84701 / 435-896-5319; FAX: 435-896-8333 www.warenskknives.com
 Butler Creek Corp., 2100 S. Silverstone Way, Meridian, ID 83642-8151 / 800-423-8327 or 406-388-1356; FAX: 406-388-7204
 Butler Enterprises, 834 Oberting Rd., Lawrenceburg, IN 47025 / 812-537-3584
 Buzz Fletcher Custom Stockmaker, 117 Silver Road, P.O. Box 189, Taos, NM 87571 / 505-758-3486

C

C&D Special Products (See Claybuster Wads & Harvester Bullets)
 C&H Research, 115 Sunnyside Dr., Box 351, Lewis, KS 67552 / 316-324-5445; or 888-324-5445; FAX: 620-324-5984 info@mercuryrecoil.com www.mercuryrecoil.com
 C. Palmer Manufacturing Co., Inc., P.O. Box 220, West Newton, PA 15089 / 412-872-8200; FAX: 412-872-8302
 C. Sharps Arms Co. Inc./Montana Armory, 100 Centennial Dr., PO Box 885, Big Timber, MT 59011 / 406-932-4353; FAX: 406-932-4443
 C.S. Van Gorden & Son, Inc., 1815 Main St., Bloomer, WI 54724 / 715-568-2612 vangorden@bloomer.net
 C.W. Erickson's L.L.C., 530 Garrison Ave. NE, PO Box 522, Buffalo, MN 55313 / 763-682-3665; FAX: 763-682-4328 www.archerhunter.com
 Cabanas (See U.S. Importer-Mandall Shooting Supply)
 Cabela's, One Cabela Drive, Sidney, NE 69160 / 308-254-5505; FAX: 308-254-8420
 Cabinet Mtn. Outfitters Scents & Lures, P.O. Box 766, Plains, MT 59859 / 406-826-3970
 Cache La Poudre Rifleworks, 140 N. College, Ft. Collins, CO 80524 / 920-482-6913
 Calhoun Mfg., 4343 U.S. Highway 87, Havre, MT 59501 / 406-395-4079 www.jamescalhoun.com
 Cali'co Hardwoods, Inc., 3580 Westwind Blvd., Santa Rosa, CA 95403 / 707-546-4045; FAX: 707-546-4027 calicohardwoods@msn.com
 Calico Light Weapon Systems, 1489 Greg St., Sparks, NV 89431
 California Sightings (See Fautheree, Andy)
 Cambos Outdoorsman, 532 E. Idaho Ave., Ontario, OR 97914 / 541-889-3135; FAX: 541-889-2633
 Cambos Outdoorsman, Fritz Hallberg, 532 E. Idaho Ave., Ontario, OR 97914 / 541-889-3135; FAX: 541-889-2633
 Camdex, Inc., 2330 Alger, Troy, MI 48083 / 810-528-2300; FAX: 810-528-0989
 Cameron's, 16690 W. 11th Ave., Golden, CO 80401 / 303-279-7365; FAX: 303-628-5413 ncnoremac@aol.com
 Camillus Cutlery Co., 54 Main St., Camillus, NY 13031 / 315-672-8111; FAX: 315-672-8832
 Campbell, Dick, 20000 Silver Ranch Rd., Conifer, CO 80433 / 303-697-0150; FAX: 303-697-0150 dicksknives@aol.com
 Camp-Cap Products, P.O. Box 3805, Chesterfield, MO 63006 / 314-532-4340; FAX: 314-532-4340
 Cannon Safe, Inc., 216 S. 2nd Ave. #BLD-932, San Bernardino, CA 92400 / 310-692-0636; or 800-242-1055; FAX: 310-692-7252
 Canons Delcour, Rue J.B. Cools, B-4040, Herstal, BELGIUM / 32(0)42.40.61.40; FAX: 32(0)42.40.22.88
 Canyon Cartridge Corp., P.O. Box 152, Albertson, NY 11507 FAX: 516-294-8946

Cape Outfitters, 599 County Rd. 206, Cape Girardeau, MO 63701 / 573-335-4103; FAX: 573-335-1555
 Caravelle Manufacturing, P.O. Box 4545, Thousand Oaks, CA 91359 / 805-499-1234
 Carbide Checkering Tools (See J&R Engineering)
 Carhartt, Inc., P.O. Box 600, 3 Parklane Blvd., Dearborn, MI 48121 / 800-358-3825; or 313-271-8460; FAX: 313-271-3455
 Carl Walther GmbH, B.P. 4325, D-89033, Ulm, GERMANY
 Carl Zeiss Inc., 13005 N. Kingston Ave., Chester, VA 23836 / 800-441-3005; FAX: 804-530-8481
 Carlson, Douglas R. Antique American Firearms, P.O. Box 71035, Dept GD, Des Moines, IA 50325 / 515-224-6552
 Carolina Precision Rifles, 1200 Old Jackson Hwy., Jackson, SC 29831 / 803-827-2069
 Carrell, William. See: CARRELL'S PRECISION FIREARMS
 Carrell's Precision Firearms, William Carrell, 1952 W. Silver Falls Ct., Meridian, ID 83642-3837
 Carry-Lite, Inc., P.O. Box 1587, Fort Smith, AR 72902 / 479-782-8971; FAX: 479-783-0234
 Carter's Gun Shop, 225 G St., Penrose, CO 81240 / 719-372-6240
 Cascade Bullet Co., Inc., 2355 South 6th St., Klamath Falls, OR 97601 / 503-884-9316
 Cascade Shooters, 2155 N.W. 12th St., Redwood, OR 97756
 Case & Sons Cutlery Co., W.R. Owens Way, Bradford, PA 16701 / 814-368-4123; or 800-523-6350; FAX: 814-768-5369
 Case Tooling System, 12695 Cobblestone Creek Rd., Poway, CA 92064 / 619-486-9340
 Cash Mfg. Co., Inc., P.O. Box 130, 201 S. Klein Dr., Waunakee, WI 53597-0130 / 608-849-5664; FAX: 608-849-5664
 Caspian Arms, Ltd., 14 North Main St., Hardwick, VT 05843 / 802-472-6454; FAX: 802-472-6709
 Cast Performance Bullet Company, P.O. Box 153, Riverton, WY 82501 / 307-857-2940; FAX: 307-857-3132 castperform@wyoming.com castperformance.com
 Casull Arms Corp., P.O. Box 1629, Afton, WY 83110 / 307-886-0200
 Caswell International, 720 Industrial Dr. No. 112, Cary, IL 60013 / 847-639-7666; FAX: 847-639-7694 www.caswellintl.com
 Cathey Enterprises, Inc., P.O. Box 2202, Brownwood, TX 76804 / 915-643-2553; FAX: 915-643-3653
 Cation, 2341 Alger St., Troy, MI 48083 / 810-689-0658; FAX: 810-689-7558
 Caywood, Shane J., P.O. Box 321, Minocqua, WI 54548 / 715-277-3866
 Caywood Gunmakers, 18 Kings Hill Estates, Berryville, AR 72616 / 870-423-4741 www.caywoodguns.com
 CBC, Avenida Humberto de Campos 3220, 09400-000, Ribeirao Pires, SP, BRAZIL / 55 11 4822 8378; FAX: 55 11 4822 8323 export@cbc.com.br www.cbc.com.br
 CBC-BRAZIL, 3 Cuckoo Lane, Honley, Yorkshire HD7 2BR, ENGLAND / 44-1484-661062; FAX: 44-1484-663709
 CCG Enterprises, 5217 E. Belknap St., Halton City, TX 76117 / 800-819-7464
 CCI/Speer Div of ATK, P.O. Box 856, 2299 Snake River Ave., Lewiston, ID 83501 / 800-627-3640 or 208-746-2351
 CCL Security Products, 199 Whiting St., New Britain, CT 06051 / 800-733-8588
 Cedar Hill Game Calls, Inc., 238 Vic Allen Rd., Downsview, LA 71234 / 318-982-5632; FAX: 318-368-2245
 Centaur Systems, Inc., 1602 Foothill Rd., Kalispell, MT 59901 / 406-755-8609; FAX: 406-755-8609
 Center Lock Scope Rings, 9901 France Ct., Lakeville, MN 55044 / 952-461-2114; FAX: 952-461-2194 marklee55044@usfamily.net
 Central Specialties Ltd (See Trigger Lock Division)
 Century Gun Dist. Inc., 1467 Jason Rd., Greenfield, IN 46140 / 317-462-4524
 Century International Arms, Inc., 1161 Holland Dr., Boca Raton, FL 33487 / 800-527-1252; FAX: 561-998-1993 support@centuryarms.com www.centuryarms.com
 CFVentures, 509 Harvey Dr., Bloomington, IN 47403-1715 paladinwilltravel@yahoo.com www.caversam16.freemove.co.uk
 CH Tool & Die Co. (See 4-D Custom Die Co.), 711 N Sandusky St., P.O. Box 889, Mt. Vernon, OH 43050-0889 / 740-397-7214; FAX: 740-397-6600
 Chace Leather Products, 507 Alden St., Fall River, MA 02722 / 508-678-7556; FAX: 508-675-9666 chacelea@aol.com www.chaceleather.com
 Chadick's Ltd., P.O. Box 100, Terrell, TX 75160 / 214-563-7577
 Chambers Flintlocks Ltd., Jim, 116 Sams Branch Rd., Candler, NC 28715 / 828-667-8361; FAX: 828-665-0852 www.flintlocks.com

Champion Shooters' Supply, P.O. Box 303, New Albany, OH 43054 / 614-855-1603; FAX: 614-855-1209
 Champion Target Co., 232 Industrial Parkway, Richmond, IN 47374 / 800-441-4971
 Champion's Choice, Inc., 201 International Blvd., LaVergne, TN 37086 / 615-793-4066; FAX: 615-793-4070 champ.choice@earthlink.net www.champchoice.com
 Champlin Firearms, Inc., P.O. Box 3191, Woodring Airport, Enid, OK 73701 / 580-237-7388; FAX: 580-242-6922 info@champlinarms.com www.champlinarms.com
 Chapman Academy of Practical Shooting, 4350 Academy Rd., Hallsville, MO 65255 / 573-696-5544; FAX: 573-696-2266 ha@chapmanacademy.com
 Chapman, J. Ken. See: OLD WEST BULLET MOULDS
 Chapman Manufacturing Co., 471 New Haven Rd., P.O. Box 250, Durham, CT 06422 / 860-349-9228; FAX: 860-349-0084 sales@chapmanmfg.com www.chapmanmfg.com
 Chapuis Arms, 21 La Gravoux, BP15, 42380, St. Bonnet-le-Chateau, FRANCE / (33)77.50.06.96
 Chapuis USA, 416 Business Park, Bedford, KY 40006
 Charter 2000, 273 Canal St., Shelton, CT 06484 / 203-922-1652
 Checkmate Refinishing, 370 Champion Dr., Brooksville, FL 34601 / 352-799-5774; FAX: 352-799-2986 checkmatecustom.com
 Cheddite, France S.A., 99 Route de Lyon, F-26501, Bourg-les-Valence, FRANCE / 33-75-56-4545; FAX: 33-75-56-3587 export@cheddite.com
 Chelsea Gun Club of New York City Inc., 237 Ovington Ave., Apt. D53, Brooklyn, NY 11209 / 718-836-9422; or 718-833-2704
 Cherry Creek State Park Shooting Center, 12500 E. Bellevue Ave., Englewood, CO 80111 / 303-693-1765
 CheVron Bullets, RR1, Ottawa, IL 61350 / 815-433-2471
 Cheyenne Pioneer Products, PO Box 28425, Kansas City, MO 64188 / 816-413-9196; FAX: 816-455-2859 cheyennepp@aol.com www.cartridgeboxes.com
 Chicago Cutlery Co., 1536 Beech St., Terre Haute, IN 47804 / 800-457-2665
 Chicasaw Gun Works, 4 Mi. Mkr., Pluto Rd., Box 868, Shady Spring, WV 25918-0868 / 304-763-2848; FAX: 304-763-3725
 Chip McCormick Corp., P.O. Box 1560, Manchaca, TX 78652 / 800-328-2447; FAX: 512-280-4282 www.chipmccormick.com
 Chipmunk (See Oregon Arms, Inc.)
 Choate Machine & Tool Co., Inc., P.O. Box 218, 116 Lovers Ln., Bald Knob, AR 72010 / 501-724-6193; or 800-972-6390; FAX: 501-724-5873
 Christensen Arms, 192 East 100 North, Fayette, UT 84630 / 435-528-7999; FAX: 435-528-7494 www.christensenarms.com
 Christie's East, 20 Rockefeller Plz., New York, NY 10020-1902 / 212-606-0406 christies.com
 Chu Tani Ind., Inc., P.O. Box 2064, Cody, WY 82414-2064
 Chuck's Gun Shop, P.O. Box 597, Waldo, FL 32694 / 904-468-2264
 Chuilli, Stephen, 8895 N. Military Trl. Ste., Ste. 201E, Palm Beach Gardens, FL 33410
 Churchill (See U.S. Importer-Ellett Bros.)
 Churchill, Winston G., 2838 20 Mile Stream Rd., Proctorville, VT 05153 / 802-226-7772
 Churchill Glove Co., James, PO Box 298, Centralia, WA 98531 / 360-736-2816; FAX: 360-330-0151
 CIDCO, 21480 Pacific Blvd., Sterling, VA 22170 / 703-444-5353
 Cimarron F.A. Co., P.O. Box 906, Fredericksburg, TX 78624-0906 / 830-997-9090; FAX: 830-997-0802 cimgraph@koc.com www.cimarron-firearms.com
 Cincinnati Swaging, 2605 Marlinton Ave., Cincinnati, OH 45208
 Clark Custom Guns, Inc., 336 Shootout Lane, Princeton, LA 71067 / 318-949-9884; FAX: 318-949-9829
 Clark Firearms Engraving, P.O. Box 80746, San Marino, CA 91118 / 818-287-1652
 Clarkfield Enterprises, Inc., 1032 10th Ave., Clarkfield, MN 56223 / 612-669-7140
 Claro Walnut Gunstock Co., 1235 Stanley Ave., Chico, CA 95928 / 530-342-5188; FAX: 530-342-5199 wally@clarowalnutgunstocks.com www.clarowalnutgunstocks.com
 Classic Arms Company, Rt 1 Box 120F, Burnet, TX 78611 / 512-756-4001
 Classic Arms Corp., P.O. Box 106, Dunsmuir, CA 96025-0106 / 530-235-2000
 Classic Old West Styles, 1060 Doniphan Park Circle C, El Paso, TX 79936 / 915-587-0684

MANUFACTURER'S DIRECTORY

- Claybuster Wads & Harvester Bullets, 309 Sequoia Dr., Hopkinsville, KY 42240 / 800-922-6287; or 800-284-1746; FAX: 502-885-8088
- Clean Shot Technologies, 21218 St. Andrews Blvd. Ste 504, Boca Raton, FL 33433 / 888-866-2532
- Clearview Mfg. Co., Inc., 413 S. Oakley St., Fordyce, AR 71742 / 501-352-8557; FAX: 501-352-7120
- Clearview Products, 3021 N. Portland, Oklahoma City, OK 73107
- Cleland's Outdoor World, Inc., 10306 Airport Hwy., Swanton, OH 43558 / 419-865-4713; FAX: 419-865-5865
- Clements' Custom Leathercraft, Chas, 1741 Dallas St., Aurora, CO 80010-2018 / 303-364-0403; FAX: 303-739-9824 gryphons@home.com kuntaoscat.com
- Glencol Worldwide Corp, Jack Fitzgerald, 25670 1st St., Westlake, OH 44145-1430 / 440-899-0482; FAX: 440-899-0483
- Clift Mfg., L. R., 3821 Hammonton Rd., Marysville, CA 95901 / 916-755-3390; FAX: 916-755-3393
- Clymer Mfg. Co., 1645 W. Hamlin Rd., Rochester Hills, MI 48309-3312 / 248-853-5555; FAX: 248-853-1530
- C-More Systems, P.O. Box 1750, 7553 Gary Rd., Manassas, VA 20108 / 703-361-2663; FAX: 703-361-5881
- Cobra Enterprises, Inc., 1960 S. Milestone Drive, Suite F, Salt Lake City, UT 84104 FAX: 801-908-8301 www.cobrapistols@networld.com
- Cobra Sport S.R.L., Via Caduti Nei Lager No. 1, 56020 San Romano, Montopoli v'Arno (Pi, ITALY / 0039-571-450490; FAX: 0039-571-450492
- Coffin, Charles H., 3719 Scarlet Ave., Odessa, TX 79762 / 915-366-4729; FAX: 915-366-4729
- Coffin, Jim (See Working Guns)
- Coffin, Jim. See: WORKING GUNS
- Cogar's Gunsmithing, 206 Redwine Dr., Houghton Lake, MI 48629 / 517-422-4591
- Coghlan's Ltd., 121 Irene St., Winnipeg, MB R3T 4C7 CANADA / 204-284-9550; FAX: 204-475-4127
- Cold Steel Inc., 3036 Seaborg Ave. Ste. A, Ventura, CA 93003 / 800-255-4716; or 800-624-2363; FAX: 805-642-9727
- Cole-Grip, 16135 Cohasset St., Van Nuys, CA 91406 / 818-782-4424
- Coleman Co., Inc., 3600 N. Hydraulic, Wichita, KS 67219 / 1-800-835-3278; www.coleman.com
- Cole's Gun Works, Old Bank Building, Rt. 4 Box 250, Moyock, NC 27958 / 919-435-2345
- Collector's Armoury, Ltd., Tom Nelson, 9404 Gunston Cove Rd., Lorton, VA 22079 / 703-493-9120; FAX: 703-493-9424 www.collectorsarmoury.com
- Collings, Ronald, 1006 Cielta Linda, Vista, CA 92083
- Colonial Arms, Inc., P.O. Box 636, Selma, AL 36702-0636 / 334-872-9455; FAX: 334-872-9540 colonialarms@mindspring.com www.colonialarms.com
- Colonial Repair, 47 Navarre St., Roslindale, MA 02131-4725 / 617-469-4951
- Colorado Gunsmithing Academy, RR 3 Box 796, El Campo, TX 77437 / 719-336-4099; or 800-754-2046; FAX: 719-336-9642
- Colorado School of Trades, 1575 Hoyt St., Lakewood, CO 80215 / 800-234-4594; FAX: 303-233-4723
- Colt Blackpowder Arms Co., 110 8th Street, Brooklyn, NY 11215 / 718-499-4678; FAX: 718-768-8056
- Colt's Mfg. Co., Inc., PO Box 1868, Hartford, CT 06144-1868 / 800-962-COLT; or 860-236-6311; FAX: 860-244-1449
- Compass Industries, Inc., 104 East 25th St., New York, NY 10010 / 212-473-2614 or 800-221-9904; FAX: 212-353-0826
- Compassec, Ltd., 151 Atkinson Hill Ave., Bardtown, KY 40004 / 502-349-0910
- Competition Electronics, Inc., 3469 Precision Dr., Rockford, IL 61109 / 815-874-8001; FAX: 815-874-8181
- Competitor Corp., Inc., 26 Knight St. Unit 3, Jaffrey, NH 03452 / 603-532-9483; FAX: 603-532-8209 competitorcorp@aol.com competitor-pistol.com
- Component Concepts, Inc., 530 S. Springbrook Road, Newberg, OR 97132 / 503-554-8095; FAX: 503-554-9370 cci@cybcon.com www.phantomonline.com
- Concept Development Corp., 16610 E. Laser Drive, Suite 5, Fountain Hills, AZ 85268-6644
- Conetrol Scope Mounts, 10225 Hwy. 123 S., Seguin, TX 78155 / 830-379-3030; or 800-CONETROL; FAX: 830-379-3030 email@conetrol.com www.conetrol.com
- Connecticut Shotgun Mfg. Co., P.O. Box 1692, 35 Woodland St., New Britain, CT 06051 / 860-225-6581; FAX: 860-832-8707
- Connecticut Valley Classics (See CVC, BPI)
- Conrad, C. A., 3964 Ebert St., Winston-Salem, NC 27127 / 919-788-5469
- Cook Engineering Service, 891 Highbury Rd., Vict, 3133 AUSTRALIA
- Cooper Arms, P.O. Box 114, Stevensville, MT 59870 / 406-777-0373; FAX: 406-777-5228
- Cooper-Woodward Perfect Lube, 4120 Oesterle Rd., Helena, MT 59602 / 406-459-2287 cwperfectlube@mt.net cwperfectlube.com
- Corbin Mfg. & Supply, Inc., 600 Industrial Circle, P.O. Box 2659, White City, OR 97503 / 541-826-5211; FAX: 541-826-8669 sales@corbins.com www.corbins.com
- Cor-Bon Inc./Glaser LLC, P.O. Box 173, 1311 Industry Rd., Sturgis, SD 57785 / 605-347-4544; or 800-221-3489; FAX: 605-347-5055 email@corbon.com www.corbon.com
- Corkys Gun Clinic, 4401 Hot Springs Dr., Greeley, CO 80634-9226 / 970-330-0516
- Corry, John, 861 Princeton Ct., Neshanic Station, NJ 08853 / 908-369-8019
- Cosmi Americo & Figlio S.N.C., Via Flaminia 307, Ancona, ITALY / 071-888208; FAX: 39-071-887008
- Coulston Products, Inc., P.O. Box 30, 201 Ferry St. Suite 212, Easton, PA 18044-0030 / 215-253-0167; or 800-445-9927; FAX: 215-252-1511
- Counter Assault, 120 Industrial Court, Kalispell, MT 59901 / 406-257-4740; FAX: 406-257-6674
- Cousin Bob's Mountain Products, 7119 Ohio River Blvd., Ben Avon, PA 15202 / 412-766-5114; FAX: 412-766-5114
- CP Bullets, 1310 Industrial Hwy #5-6, South Hampton, PA 18966 / 215-953-7264; FAX: 215-953-7275
- CQB Training, P.O. Box 1739, Manchester, MO 63011
- Craftguard, 3624 Logan Ave., Waterloo, IA 50703 / 319-232-2959; FAX: 319-234-0804
- Crandall Tool & Machine Co., 19163 21 Mile Rd., Tustin, MI 49688 / 616-829-4430
- Creedmoor Sports, Inc., P.O. Box 1040, Oceanside, CA 92051 / 767-757-5529; FAX: 760-757-5558 shoot@creedmoorsports.com www.creedmoorsports.com
- Creek Side Metal & Woodcrafters, Fishers Hill, VA 22626 / 703-465-3903
- Creighton Audette, 19 Highland Circle, Springfield, VT 05156 / 802-885-2331
- Crimson Trace Lasers, 8090 SW Cirrus Dr., Beaverton, OR 97008 / 800-442-2406; FAX: 503-627-0166 www.crimsontrace.com
- Crit'R Call (See Rocky Mountain Wildlife Products)
- Crosman Airguns, Rts. 5 and 20, E. Bloomfield, NY 14443 / 716-657-6161; FAX: 716-657-5405
- Crosman Blades (See Coleman Co., Inc.)
- Crouse's Country Cover, P.O. Box 160, Storrs, CT 06268 / 860-423-8736
- CRR, Inc./Marble's Inc., 420 Industrial Park, P.O. Box 111, Gladstone, MI 49837 / 906-428-3710; FAX: 906-428-3711
- Crucelguy, Hermanos (See U.S. Importer-Mandall)
- Cubic Shot Shell Co., Inc., 98 Fatima Dr., Campbell, OH 44405 / 330-755-0349
- Cullity Restoration, 209 Old Country Rd., East Sandwich, MA 02537 / 508-888-1147
- Cumberland Arms, 514 Shafer Road, Manchester, TN 37355 / 800-797-8414
- Cumberland Mountain Arms, P.O. Box 710, Winchester, TN 37398 / 615-967-8414; FAX: 615-967-9199
- Cummings Bullets, 1417 Esperanza Way, Escondido, CA 92027
- Cupp, Alana, Custom Engraver, P.O. Box 207, Annabella, UT 84711 / 801-896-4834
- Curly Maple Stock Blanks (See Tiger-Hunt)
- Curtis Cast Bullets, 527 W. Babcock St., Bozeman, MT 59715 / 406-587-8117; FAX: 406-587-8117
- Curtis Gun Shop (See Curtis Cast Bullets)
- Custom Bullets by Hoffman, 2604 Peconic Ave., Seaford, NY 11783
- Custom Calls, 607 N. 5th St., Burlington, IA 52601 / 319-752-4465
- Custom Checkering Service, Kathy Forster, 2124 S.E. Yamhill St., Portland, OR 97214 / 503-236-5874
- Custom Chronograph, Inc., 5305 Reese Hill Rd., Sumas, WA 98295 / 360-988-7801
- Custom Firearms (See Ahrends, Kim)
- Custom Products (See Jones Custom Products)
- Custom Quality Products, Inc., 345 W. Girard Ave., P.O. Box 71129, Madison Heights, MI 48071 / 810-585-1616; FAX: 810-585-0644
- Custom Riflestocks, Inc., Michael M. Kokolus, 7005 Herber Rd., New Tripoli, PA 18066 / 610-298-3013; FAX: 610-298-2431 mkokolus@prodigy.net
- Custom Single Shot Rifles, 9651 Meadows Lane, Guthrie, OK 73044 / 405-282-3634
- Custom Tackle and Ammo, P.O. Box 1886, Farmington, NM 87499 / 505-632-3539
- Cutco Cutlery, P.O. Box 810, Olean, NY 14760 / 716-372-3111
- CVA, 5988 Peachtree Corners East, Norcross, GA 30071 / 770-449-4687; FAX: 770-242-8546 info@cva.com www.cva.com
- Cylinder & Slide, Inc., William R. Laughridge, 245 E. 4th St., Fremont, NE 68025 / 402-721-4277; FAX: 402-721-0263 bill@cylinder-slide.com www.cylinder-slide.com
- CZ USA, PO Box 171073, Kansas City, KS 66117 / 913-321-1811; FAX: 913-321-4901

D

- D&D Gunsmiths, Ltd., 363 E. Elmwood, Troy, MI 48083 / 810-583-1512; FAX: 810-583-1524
- D&G Precision Duplicators (See Greene Precision)
- D&H Precision Tooling, 7522 Barnard Mill Rd., Ringwood, IL 60072 / 815-653-4011
- D&L Industries (See D.J. Marketing)
- D&L Sports, P.O. Box 651, Gillette, WY 82717 / 307-686-4008
- D.C.C. Enterprises, 259 Wynburn Ave., Athens, GA 30601
- D.J. Marketing, 10602 Horton Ave., Downey, CA 90241 / 310-806-0891; FAX: 310-806-6231
- D.L. Unmussig Bullets, 7862 Brentford Dr., Richmond, VA 23225 / 804-320-1165; FAX: 804-320-4587
- Dade Screw Machine Products, 2319 NW 7th Ave., Miami, FL 33127 / 305-573-5050
- Daisy Outdoor Products, P.O. Box 220, Rogers, AR 72757 / 479-636-1200; FAX: 479-636-0573 www.daisy.com
- Dakota (See U.S. Importer-EMF Co., Inc.)
- Dakota Arms, Inc., 130 Industry Road, Sturgis, SD 57785 / 605-347-4686; FAX: 605-347-4459 info@dakotaarms.com www.dakotaarms.com
- Dakota Corp., 77 Wales St., P.O. Box 543, Rutland, VT 05701 / 802-775-6062; or 800-451-4167; FAX: 802-773-3919
- Daly, Charles/KBI, P.O. Box 6625, Harrisburg, PA 17112 / 866-DALY GUN
- Da-Mar Gunsmith's, Inc., 102 1st St., Solvay, NY 13209 damarcususa@intelport.com, 149 Deans Farm Rd., Tyner, NC 27980 / 252-221-2010; FAX: 252-221-2010 damarcususa@intelport.com
- Dan Wesson Firearms, 5169 Rt. 12 South, Norwich, NY 13815 / 607-336-1174; FAX: 607-336-2730 danwessonfirearms@citilink.net danwessonfirearms.com
- Danforth, Mikael. See: VEKTOR USA
- Dangler, Homer L., 2870 Lee Marie Dr., Adrian, MI 49221 / 517-266-1997
- Danner Shoe Mfg. Co., 12722 NE Airport Way, Portland, OR 97230 / 503-251-1100; or 800-345-0430; FAX: 503-251-1119
- Dan's Whetstone Co., Inc., 130 Timbs Place, Hot Springs, AR 71913 / 501-767-1616; FAX: 501-767-9598 questions@danswhetstone.com www.danswhetstone.com
- Danuser Machine Co., 550 E. Third St., P.O. Box 368, Fulton, MO 65251 / 573-642-2246; FAX: 573-642-2240 sales@danuser.com www.danuser.com
- Dara-Nes, Inc. (See Nesci Enterprises, Inc.)
- D'Arcy Echois & Co., P.O. Box 421, Millville, UT 84326 / 435-755-6842
- Darlington Gun Works, Inc., P.O. Box 698, 516 S. 52 Bypass, Darlington, SC 29532 / 803-393-3931
- Dart Bell/Brass (See MAST Technology)
- Darwin Hensley Gunmaker, P.O. Box 329, Brightwood, OR 97011 / 503-622-5411
- Data Tech Software Systems, 19312 East Eldorado Drive, Aurora, CO 80013
- Dave Norin Schrank's Smoke & Gun, 2010 Washington St., Waukegan, IL 60085 / 708-662-4034
- Dave's Gun Shop, P.O. Box 2824, Casper, WY 82602-2824 / 307-754-9724
- David Clark Co., Inc., P.O. Box 15054, Worcester, MA 01615 / 508-756-6216; FAX: 508-753-5827 sales@davidclark.com www.davidclark.com
- David Condon, Inc., 109 E. Washington St., Middleburg, VA 22117 / 703-687-5642
- David Miller Co., 3131 E. Greenlee Rd., Tucson, AZ 85716 / 520-326-3117
- David R. Chicoine, 1210 Jones Street, Gastonia, NC 28052 / 704-853-0265 bnpress@quik.com www.icxquik.com/bnpress
- David W. Schwartz Custom Guns, 2505 Waller St., Eau Claire, WI 54703 / 715-832-1735
- Davide Pedersoli and Co., Via Artigiani 57, Gardone VT, Brescia 25063, ITALY / 030-8915000; FAX:

MANUFACTURER'S DIRECTORY

030-8911019 info@davidpedersoli.com
www.davide_pedersoli.com
Davis, Don, 1619 Heights, Katy, TX 77493 / 713-391-3090
Davis Industries (See Cobra Enterprises, Inc.)
Davis Products, Mike, 643 Loop Dr., Moses Lake, WA 98837
/ 509-765-6178; or 509-766-7281
Daystate Ltd., Birch House Lane, Cotes Heath Staffs,
ST15 022, ENGLAND / 01782-791755; FAX:
01782-791617
Dayton Traister, 4778 N. Monkey Hill Rd., P.O. Box 593, Oak
Harbor, WA 98277 / 360-679-4657; FAX: 360-675-1114
DBI Books Division of Krause Publications, 700 E. State St.,
Iola, WI 54990-0001 / 715-445-2214
D-Boone Ent., Inc., 5900 Colwyn Dr., Harrisburg, PA 17109
Dead Eye's Sport Center, 76 Baer Rd., Shickshinny, PA 18655
/ 570-256-7432 deadeyeprizz@aol.com
Deepeeka Exports Pvt. Ltd., D-78, Saket, Meerut-250-006,
INDIA / 011-91-121-640363 or ; FAX:
011-91-121-640988 deepeeka@poboxes.com
www.deepeeka.com
Defense Training International, Inc., 749 S. Lemay, Ste.
A3-337, Ft. Collins, CO 80524 / 303-482-2520; FAX:
303-482-0548
Degen Inc. (See Aristocrat Knives)
deHaas Barrels, 20049 W. State Hwy. Z, Ridgeway, MO
64481 / 660-872-6308
Del Rey Products, P.O. Box 5134, Playa Del Rey, CA
90296-5134 / 213-823-0494
Delhi Gun House, 1374 Kashmere Gate, New Delhi 110 006,
INDIA / 2940974; or 394-0974; FAX: 2917344
dgh@vsnl.com
Delorge, Ed, 6734 W. Main, Houma, LA 70360 /
985-223-0206 delorge@triparish.net
www.eddelorge.com
Del-Sports, Inc., Dave Budin, Box 685, 817 Main St.,
Margaretville, NY 12455 / 845-586-4103; FAX:
845-586-4105
Delta Arms Ltd., P.O. Box 1000, Delta, VT 84624-1000
Delta Enterprises, 284 Hagemann Drive, Livermore, CA
94550
Delta Frangible Ammunition LLC, P.O. Box 2350, Stafford, VA
22555-2350 / 540-720-5778; or 800-339-1933; FAX:
540-720-5667 dfa@dfanet.com www.dfanet.com
Dem-Bart Checkering Tools, Inc., 1825 Bickford Ave.,
Snohomish, WA 98290 / 360-568-7356
waf@dembartco.com www.dembartco.com
Denver Instrument Co., 6542 Fig St., Arvada, CO 80004 /
800-321-1135; or 303-431-7255; FAX: 303-423-4831
DeSantis Holster & Leather Goods, Inc., P.O. Box 2039, 149
Denton Ave., New Hyde Park, NY 11040-0701 /
516-354-8000; FAX: 516-354-7501
Desert Mountain Mfg., P.O. Box 130184, Coram, MT 59913 /
800-477-0762; or 406-387-5361; FAX: 406-387-5361
Detonics USA, 53 Perimeter Center East #200, Atlanta, GA
30346 / 866-759-1169
DGR Custom Rifles, 4191 37th Ave. SE, Tappen, ND 58487 /
701-327-8135
DGS, Inc., Dale A. Storey, 1117 E. 12th, Casper, WY 82601
/ 307-237-2414; FAX: 307-237-2414 dalest@trib.com
www.dgsrifle.com
DHB Products, 336 River View Dr., Verona, VA 24482-2547 /
703-836-2648
Diamond Machining Technology, Inc. (See DMT)
Diamond Mfg. Co., P.O. Box 174, Wyoming, PA 18644 /
800-233-9601
Dibble, Derek A., 555 John Downey Dr., New Britain, CT
06051 / 203-224-2630
Dietz Gun Shop & Range, Inc., 421 Range Rd., New
Braunfels, TX 78132 / 210-885-4662
Dilliot Gunsmithing, Inc., 657 Scarlett Rd., Dandridge, TN
37725 / 865-397-9204 gunsmith@aol.com
dilliotgunsmithing.com
Dillon Precision Products, Inc., 8009 East Dillon's Way,
Scottsdale, AZ 85260 / 480-948-8009; or 800-762-3845;
FAX: 480-998-2786 sales@dillonprecision.com
www.dillonprecision.com
Dina Arms Corporation, P.O. Box 46, Royersford, PA 19468
/ 610-287-0266; FAX: 610-287-0266
Dixie Gun Works, P.O. Box 130, Union City, TN 38281 /
731-885-0700; FAX: 731-885-0440
info@dixiegunworks.com www.dixiegunworks.com
Dixon Muzzleloading Shop, Inc., 9952 Kunkels Mill Rd.,
Kempton, PA 19529 / 610-756-6271
dixonmuzzleloading.com
DKT, Inc., 14623 Vera Drive, Union, MI 49130-9744 /
800-741-7083 orders; FAX: 616-641-2015
DLO Mfg., 10807 SE Foster Ave., Arcadia, FL 33821-7304

DMT--Diamond Machining Technology Inc., 85 Hayes
Memorial Dr., Marlborough, MA 01752 FAX:
508-485-3924
Dohring Bullets, 100 W. 8 Mile Rd., Ferndale, MI 48220
Dolbare, Elizabeth, P.O. Box 502, Dubois, WY 82513-0502 /
307-450-7500 edolbare@hotmail.com
www.scrimshaw-engraving.com
Domino, P.O. Box 108, 20019 Settimo Milanese, Milano,
ITALY / 1-39-2-33512040; FAX: 1-39-2-33511587
Don Klein Custom Guns, 433 Murray Park Dr., Ripon, WI
54971 / 920-748-2931 daklein@charter.net
www.donkleincustomguns.com
Donnelly, C. P., 405 Kubli Rd., Grants Pass, OR 97527 /
541-846-6604
Doskocil Mfg. Co., Inc., P.O. Box 1246, 4209 Barnett,
Arlington, TX 76017 / 817-467-5116; FAX:
817-472-9810
Douglas Barrels, Inc., 5504 Big Tyler Rd., Charleston, WV
25313-1398 / 304-776-1341; FAX: 304-776-8560
www.benchrest.com/douglas
Downsizer Corp., P.O. Box 710316, Santee, CA 92072-0316
/ 619-448-5510 www.downsizer.com
DPMS (Defense Procurement Manufacturing Services, Inc.),
13983 Industry Avenue, Becker, MN 55308 /
800-578-DPMS; or 763-261-5600; FAX: 763-261-5599
Dr. O's Products Ltd., P.O. Box 111, Niwerville, NY 12130 /
518-784-3333; FAX: 518-784-2800
Drain, Mark, SE 3211 Kamilche Point Rd., Shelton, WA 98584
/ 206-426-5452
Dremel Mfg. Co., 4915-21st St., Racine, WI 53406
Dri-Slide, Inc., 411 N. Darling, Fremont, MI 49412 /
616-924-3950
Dropkick, 1460 Washington Blvd., Williamsport, PA 17701 /
717-326-6561; FAX: 717-326-4950
DS Arms, Inc., P.O. Box 370, 27 West 990 Industrial Ave.,
Barrington, IL 60010 / 847-277-7258; FAX:
847-277-7259 www.dsarms.com
DTM International, Inc., 40 Joslyn Rd., P.O. Box 5, Lake
Orion, MI 48362 / 313-693-6670
Duane A. Hobbie Gunsmithing, 2412 Pattie Ave., Wichita, KS
67216 / 316-264-8266
Duane's Gun Repair (See DGR Custom Rifles)
Dubber, Michael W., P.O. Box 312, Evansville, IN 47702 /
812-424-9000; FAX: 812-424-6551
Duck Call Specialists, P.O. Box 124, Jerseyville, IL 62052 /
618-498-9855
Duffy, Charles E. (See Guns Antique & Modern DBA),
Williams Lane, P.O. Box 2, West Hurley, NY 12491 /
914-679-2997
Du-Lite Corp., 171 River Rd., Middletown, CT 06457 /
203-347-2505; FAX: 203-347-9404
Dumoulin, Ernest, Rue Florent Boclinville 8-10, 13-4041,
Votten, BELGIUM / 41 27 78 92
Duncan's Gun Works, Inc., 1619 Grand Ave., San Marcos, CA
92069 / 760-727-0515
DunLyon R&D, Inc., 52151 E. US Hwy. 60, Miami, AZ 85539
/ 928-473-9027
Duofold, Inc., RD 3 Rt. 309, Valley Square Mall, Tamaqua, PA
18252 / 717-386-2666; FAX: 717-386-3652
Dutchman's Firearms, Inc., 4143 Taylor Blvd., Louisville, KY
40215 / 502-366-0555
Dybala Gun Shop, P.O. Box 1024, FM 3156, Bay City, TX
77414 / 409-245-0866
Dykstra, Doug, 411 N. Darling, Fremont, MI 49412 /
616-924-3950
Dynamite Products, Inc., 215 S. Washington St., Greenfield,
OH 45123 / 513-981-2124
Dynamit Nobel-RWS, Inc., 81 Ruckman Rd., Closter, NJ
07624 / 201-767-7971; FAX: 201-767-1589

E

E&L Mfg., Inc., 4177 Riddle Bypass Rd., Riddle, OR 97469 /
541-874-2137; FAX: 541-874-3107
E. Arthur Brown Co., 3404 Pawnee Dr., Alexandria, MN 56308
/ 320-762-8847
E.A.A. Corp., P.O. Box 1299, Sharpes, FL 32959 /
407-639-4842; or 800-536-4442; FAX: 407-639-7006
Eagan, Donald V., P.O. Box 196, Benton, PA 17814 /
717-925-6134
Eagle Arms, Inc. (See ArmaLite, Inc.)
Eagle Grips, Eagle Business Center, 460 Randy Rd., Carol
Stream, IL 60188 / 800-323-6144; or 708-260-0400;
FAX: 708-260-0486
Eagle Imports, Inc., 1750 Brielle Ave., Unit B1, Wanamassa,
NJ 07712 / 732-493-0333; FAX: 732-493-0301
gsodini@aol.com www.berasa-11ama.com

E-A-R, Inc., Div. of Cabot Safety Corp., 5457 W. 79th St.,
Indianapolis, IN 46268 / 800-327-3431; FAX:
800-488-8007
EAW (See U.S. Importer-New England Custom Gun Serv
Eckelman Gunsmithing, 3125 133rd St. SW, Fort Ripley, MN
56449 / 218-829-3176
Eclectic Technologies, Inc., 45 Grandview Dr., Suite A,
Farmington, CT 06034
Ed Brown Products, Inc., P.O. Box 492, Perry, MO 63462 /
573-565-3261; FAX: 573-565-2791
edbrown@edbrown.com www.edbrown.com
Edenpine, Inc. c/o Six Enterprises, Inc., 320 D Turtle Creek
Cl., San Jose, CA 95125 / 408-999-0201; FAX:
408-999-0216
EdgeCraft Corp., S. Weiner, 825 Southwood Road, Avondale,
PA 19311 / 610-268-0500; or 800-342-3255; FAX:
610-268-3545 www.edgecraft.com
Edmisten Co., P.O. Box 1293, Boone, NC 28607
Edmund Scientific Co., 101 E. Gloucester Pike, Barrington, NJ
08033 / 609-543-6250
Ednar, Inc., 2-4-8 Kayabacho, Nihonbashi Chuo-ku, Tokyo,
JAPAN / 81-3-3667-1651; FAX: 81-3-3661-8113
Ed's Gun House, Ed Kukowski, P.O. Box 62, Minnesota City,
MN 55959 / 507-689-2925
Effebe SNC-Dr. Franco Beretta, via Rossa, 4, 25062, ITALY /
030-2751955; FAX: 030-2180414
Eggleston, Jere D., 400 Saluda Ave., Columbia, SC 29205 /
803-799-3402
Eichelberger Bullets, Wm., 158 Crossfield Rd., King Of
Prussia, PA 19406
Ekol Leather Care, P.O. Box 2652, West Lafayette, IN 47906
/ 317-463-2250; FAX: 317-463-7004
El Paso Saddlery Co., P.O. Box 27194, El Paso, TX 79926 /
915-544-2233; FAX: 915-544-2535 epsaddlery.com
www.epsaddlery.com
Electro Prismatic Collimators, Inc., 1441 Manatt St., Lincoln,
NE 68521
Electronic Shooters Protection, Inc., 15290 Gadsden Ct.,
Brighton, CO 80603 / 800-797-7791; FAX:
303-659-8668 esp@usa.net espamerican.com
Electronic Trigger Systems, Inc., P.O. Box 645, Park Rapids,
MN 56470 / 218-732-5333
Eley Ltd., P.O. Box 705, Witton, Birmingham, B6 7UT
ENGLAND / 021-356-8899; FAX: 021-331-4173
Elite Ammunition, P.O. Box 3251, Oakbrook, IL 60522 /
708-366-9006
Ellett Bros., 267 Columbia Ave., P.O. Box 128, Chapin, SC
29036 / 803-345-3751; or 800-845-3711; FAX:
803-345-1820
Ellicott Arms, Inc. / Woods Pistolsmithing, 8390 Sunset Dr.,
Ellicott City, MD 21043 / 410-465-7979
Elliott, G. W., 514 Burnside Ave, East Hartford, CT 06108
/ 203-289-5741; FAX: 203-289-3137
EMAP USA, 6420 Wilshire Blvd., Los Angeles, CA 90048 /
213-782-2000; FAX: 213-782-2867
Emerging Technologies, Inc. (See Laseraim Technologies,
Inc.)
EMF Co., Inc., 1900 E. Warner Ave., Suite 1-D, Santa Ana, CA
92705 / 949-261-6611; FAX: 949-756-0133
Empire Cutlery Corp., 12 Kruger Ct., Clifton, NJ 07013 /
201-472-5155; FAX: 201-779-0759
English, Inc., A.G., 708 S. 12th St., Broken Arrow, OK 74012
/ 918-251-3399 agenglish@wedzone.net
www.agenglish.com
Engraving Artistry, 36 Alto Rd., Burlington, CT 06013 /
860-673-6837 bobbur44@hotmail.com
Engraving Only, Box 55 Rabbit Gulch, Hill City, SD 57745 /
605-574-2239
Enquix Import-Export, Alpujarras 58, Alzira, Valencia, SPAIN
/ (96) 241 43 95; FAX: (96) 241 43 95
Enhanced Presentations, Inc., 5929 Market St., Wilmington,
NC 28405 / 910-799-1622; FAX: 910-799-5004
Enlow, Charles, 895 Box, Beaver, OK 73932 / 405-625-4487
Entre'prise Arms, Inc., 15861 Business Center Dr., Irwindale,
CA 91706
EPC, 1441 Manatt St., Lincoln, NE 68521 / 402-476-3946
Erhardt, Dennis, 4508 N. Montana Ave., Helena, MT 59602 /
406-442-4533
Essex Arms, P.O. Box 363, Island Pond, VT 05846 /
802-723-6203; FAX: 802-723-6203
Estate Cartridge, Inc., 900 Bob Ehlen Dr., Anoka, MN
55303-7502 / 409-856-7277; FAX: 409-856-5486
Euber Bullets, No. Orwell Rd., Orwell, VT 05760 /
802-948-2621
Euroarms of America, Inc., P.O. Box 3277, Winchester, VA
22604 / 540-662-1863; FAX: 540-662-4464
www.euroarms.net
Euro-Imports, 2221 Upland Ave. S., Pahrump, NV 89048 /
775-751-6671; FAX: 775-751-6671

MANUFACTURER'S DIRECTORY

European American Armory Corp. (See E.A.A. Corp.)
Eversull Co., Inc., 1 Tracemont, Boyce, LA 71409 /
318-793-8728; FAX: 318-793-5483 bestguns@aol.com
Evolution Gun Works, Inc., 4050 B-8 Skyron Dr., Doylestown,
PA 18901 / 215-348-9892; FAX: 215-348-1056
egw@pil.net www.egw-guns.com
Excalibur Electro Optics, Inc., P.O. Box 400, Fogelsville, PA
18051-0400 / 610-391-9105; FAX: 610-391-9220
Excalibur Publications, P.O. Box 89667, Tucson, AZ 85752 /
520-575-9057 excalibureditor@earthlink.net
Excel Industries, Inc., 4510 Carter Ct., Chino, CA 91710 /
909-627-2404; FAX: 909-627-7817
Executive Protection Institute, P.O. Box 802, Berryville, VA
22611 / 540-554-2540; FAX: 540-554-2558
ruk@crosslink.net www.personalprotec.com
Eze-Lap Diamond Prods., P.O. Box 2229, 15164 West State
St., Westminster, CA 92683 / 714-847-1555; FAX:
714-897-0280
E-Z-Way Systems, P.O. Box 4310, Newark, OH 43058-4310 /
614-345-6645; or 800-848-2072; FAX: 614-345-6600

F

F.A.I.R., Via Gitti, 41, 25060 Marcheno Bresc, ITALY /
030/861162-8610344; FAX: 030/8610179 info@fair.it
www.fair.it
Fabarm S.p.A., Via Averolda 31, 25039 Travagliato, Brescia,
ITALY / 030-6863629; FAX: 030-6863684
info@fabarm.com www.fabarm.com
Fagan Arms, 22952 15 Mile Rd, Clinton Township, MI 48035
/ 810-465-4637; FAX: 810-792-6996
Faith Associates, P.O. Box 549, Flat Rock, NC 28731-0549
FAX: 828-697-6827
Falcon Industries, Inc., P.O. Box 1060, Tijeras, NM 87059 /
505-281-3783; FAX: 505-281-3991
shines@ergogrips.net www.ergogrips.net
Far North Outfitters, Box 1252, Bethel, AK 99559
Farm Form Decoys, Inc., 1602 Biouv, P.O. Box 748,
Galveston, TX 77553 / 409-744-0762; or 409-765-6361;
FAX: 409-765-8513
Farr Studio, Inc., 183 Hunters Rd., Washington, VA
22747-2001 / 615-638-8825
Farrar Tool Co., Inc., 11855 Cog Hill Dr., Whittier, CA
90601-1902 / 310-863-4367; FAX: 310-863-5123
Faulhaber Wildlocker, Dipl.-Ing. Norbert Wittasek,
Seilergasse 2, A-1010 Wien, AUSTRIA / 43-1-5137001;
FAX: 43-1-5137001 faulhaber1@utanet.at
Faulk's Game Call Co., Inc., 616 18th St., Lake Charles, LA
70601 / 337-436-9726; FAX: 337-494-7205
Faust Inc., T. G., 544 Minor St, Reading, PA 19602 /
610-375-8549; FAX: 610-375-4488
Fautheree, Andy, P.O. Box 4607, Pagosa Springs, CO 81157
/ 970-731-5003; FAX: 970-731-5009
Feather, Flex Decoys, 4500 Doniphan Dr., Neosho, MO 64850
/ 318-746-8596; FAX: 318-742-4815
Federal Arms Corp. of America, 7928 University Ave., Fridley,
MN 55432 / 612-780-8780; FAX: 612-780-8780
Federal Cartridge Co., 900 Ehlen Dr., Anoka, MN 55303 /
612-323-2300; FAX: 612-323-2506
Federal Champion Target Co., 232 Industrial Parkway,
Richmond, IN 47374 / 800-441-4971; FAX:
317-966-7747
Federated-Fry (See Fry Metals)
FEG, Budapest, Soroksariut 158, H-1095, HUNGARY
Feinwerkbau Westinger & Altenburger, Neckarstrasse 43,
78727, Oberndorf a. N., GERMANY / 07423-814-00;
FAX: 07423-814-200 info@feinwerkbau.de
www.feinwerkbau.de
Feken, Dennis, Rt. 2, Box 124, Perry, OK 73077 /
405-336-5611
Felk Pistols, Inc., 2121 Castlebridge Rd., Midlothian, VA
23113 / 804-794-3744; FAX: 208-988-4834
Ferguson, Bill, P.O. Box 1238, Sierra Vista, AZ 85636 /
520-458-5321; FAX: 520-458-9125
Ferguson, Bill, See: BULLET METALS
FERLIB, Via Parte 33 Marcheno/BS, Marcheno/BS, ITALY /
00390308610191; FAX: 00390308966882
info@ferlib.com www.ferlib.com
Ferris Firearms, 7110 F.M. 1863, Bulverde, TX 78163 /
210-980-4424
Fibron Products, Inc., P.O. Box 430, Buffalo, NY 14209-0430
/ 716-886-2378; FAX: 716-886-2394
Fieldsport Ltd., Bryan Bilinski, 3313 W. South Airport Rd.,
Traverse City, MI 49684 / 616-933-0767
Fiocchi Munizioni S.P.A. (See U.S. Importer-Fiocch
Focchi of America, Inc., 5030 Fremont Rd., Ozark, MO 65721
/ 417-725-4118; or 800-721-2666; FAX: 417-725-1039
Firearms Co. Ltd. / Alpine (See U.S. Importer-Mandall

Firearms Engraver's Guild of America, 332 Vine St., Oregon
City, OR 97045 / 503-656-5693
Firearms International, 5709 Hartsdale, Houston, TX 77036 /
713-460-2447
Fisher, Jerry A., 631 Crane Mt. Rd., Big Fork, MT 59911 /
406-837-2722
Fisher Custom Firearms, 2199 S. Kittredge Way, Aurora, CO
80013 / 303-755-3710
Fitzgerald, Jack. See: CLENZOIL WORLDWIDE CORP
Flambeau, Inc., 15981 Valplast Rd., Middlefield, OH 44062 /
216-632-1631; FAX: 216-632-1581 www.flambeau.com
Flayderman & Co., Inc., P.O. Box 2446, Ft. Lauderdale, FL
33303 / 954-761-8855
Fleming Firearms, 7720 E. 126th St. N., Collinsville, OK
74021-7016 / 918-665-3624
Fletcher-Bidwell, LLC., 305 E. Terhune St., Viroqua, WI
54665-1631 / 866-637-1860 fbguns@netscape.net
Flintlocks, Etc., 160 Rossiter Rd., P.O. Box 181, Richmond,
MA 01254 / 413-698-3822; FAX: 413-698-3866
flintetc@berkshire.rr.com
Flitz International Ltd., 821 Mohr Ave., Waterford, WI 53185
/ 414-534-5898; FAX: 414-534-2991
Fluoramics, Inc., 18 Industrial Ave., Mahwah, NJ 07430 /
800-922-0075; FAX: 201-825-7035
Flynn's Custom Guns, P.O. Box 7461, Alexandria, LA 71306
/ 318-455-7130
FN Manufacturing, P.O. Box 24257, Columbia, SC 29224 /
803-736-0522
Folks, Donald E., 205 W. Lincoln St., Pontiac, IL 61764 /
815-844-7901
Foothills Video Productions, Inc., P.O. Box 651, Spartanburg,
SC 29304 / 803-573-7023; or 800-782-5358
Foredom Electric Co., Rt. 6, 16 Stony Hill Rd., Bethel, CT
06801 / 203-792-8622
Forgett, Valmore. See: NAVY ARMS COMPANY
Forgreens Tool & Mfg., Inc., P.O. Box 955, Robert Lee, TX
76945 / 915-453-2800; FAX: 915-453-2460
Forkin Custom Classics, 205 10th Avenue S.W., White
Sulphur Spring, MT 59645 / 406-547-2344
Forrest Tool Co., P.O. Box 768, 44380 Gordon Lane,
Mendocino, CA 95460 / 707-937-2141; FAX:
717-937-1817
Forster, Kathy (See Custom Checkering)
Forster, Larry L., Box 212, 216 Highway 13 E., Gwinner, ND
58040-0212 / 701-678-2475
Forster Products, 310 E. Lanark Ave., Lanark, IL 61046 /
815-493-6360; FAX: 815-493-2371
Fort Hill Gunstocks, 12807 Fort Hill Rd., Hillsboro, OH 45133
/ 513-466-2763
Fort Knox Security Products, 1051 N. Industrial Park Rd.,
Orem, UT 84057 / 801-224-7233; or 800-821-5216;
FAX: 801-226-5493
Forthofer's Gunsmithing & Knifemaking, 5535 U.S. Hwy.
93S, Whitefish, MT 59937-8411 / 406-862-2674
Fortune Products, Inc., 205 Hickory Creek Rd., Marble Falls,
TX 78654 / 210-693-6111; FAX: 210-693-6394
randy@accusharp.com
Forty-Five Ranch Enterprises, Box 1080, Miami, OK
74355-1080 / 918-542-5875
Foster, See: ACCURACY INTERNATIONAL
Fountain Products, 492 Prospect Ave., West Springfield, MA
01089 / 413-781-4651; FAX: 413-733-8217
4-D Custom Die Co., 711 N. Sandusky St., PO Box 889, Mt.
Vernon, OH 43050-0889 / 740-397-7214; FAX:
740-397-6600 info@ch4d.com ch4d.com
Fowler Bullets, 806 Dogwood Dr., Gastonia, NC 28054 /
704-867-3259
Fowler, Bob (See Black Powder Products)
Fox River Mills, Inc., P.O. Box 298, 227 Poplar St., Osage, IA
50461 / 515-732-3798; FAX: 515-732-5128
Francotte & Cie S.A. Auguste, rue de Trois Juin 109, 4400
Herstal-Liege, BELGIUM / 32-4-248-13-18; FAX:
32-4-248-11-79
Frank Knives, 13868 NW Keleka Pl., Seal Rock, OR 97376 /
541-563-3041; FAX: 541-563-3041
Frank Mittermeier, Inc., P.O. Box 1, Bronx, NY 10465
Franzen International, Inc. (See U.S. Importer for)
Fred F. Wells/Wells Sport Store, 110 N Summit St., Prescott,
AZ 86301 / 928-445-3655
www.wellsportstore@cablone.net
Freedom Arms, Inc., P.O. Box 150, Freedom, WY 83120 /
307-883-2468; FAX: 307-883-2005
Fremont Tool Works, 1214 Prairie, Ford, KS 67842 /
316-369-2327
Front Sight Firearms Training Institute, P.O. Box 2619, Aptos,
CA 95001 / 800-987-7719; FAX: 408-684-2137
Frontier, 2910 San Bernardo, Laredo, TX 78040 /
956-723-5409; FAX: 956-723-1774

Frontier Arms Co., Inc., 401 W. Rio Santa Cruz, Green Valley,
AZ 85614-3932
Frontier Products Co., 2401 Walker Rd., Roswell, NM
88201-8950 / 614-262-9357
Frontier Safe Co., 3201 S. Clinton St., Fort Wayne, IN 46806
/ 219-744-7233; FAX: 219-744-6678
Frost Cutlery Co., P.O. Box 22636, Chattanooga, TN 37422 /
615-894-6079; FAX: 615-894-9576
Fry Metals, 4100 6th Ave., Altoona, PA 16602 /
814-946-1611
Fujinon, Inc., 10 High Point Dr., Wayne, NJ 07470 /
201-633-5600; FAX: 201-633-5216
Fullmer, Geo. M., 2499 Mavis St., Oakland, CA 94601 /
510-533-4193
Fulton Armory, 8725 Bollman Place No. 1, Savage, MD 20763
/ 301-490-9485; FAX: 301-490-9547
www.fulton.armory.com
Furr Arms, 91 N. 970 W., Orem, UT 84057 / 801-226-3877;
FAX: 801-226-3877

G

G&H Decoys, Inc., P.O. Box 1208, Hwy. 75 North, Henryetta,
OK 74437 / 918-652-3314; FAX: 918-652-3400
G.C. Bullet Co., Inc., 40 Mokelumne River Dr., Lodi, CA 95240
G.G. & G., 3602 E. 42nd Stravenue, Tucson, AZ 85713 /
520-748-7167; FAX: 520-748-7583 ggg&3@aol.com
www.ggg&3.com
G.H. Enterprises Ltd., Bag 10, Okotoks, AB TOL 1T0 CANADA
/ 403-938-6070
G.U., Inc. (See U.S. Importer for New SKB Arms Co.)
G.W. Elliott, Inc., 514 Burnside Ave., East Hartford, CT 06108
/ 203-289-5741; FAX: 203-289-3137
G96 Products Co., Inc., 85 5th Ave., Bldg. #6, Paterson, NJ
07544 / 973-684-4050; FAX: 973-684-3848
g96prod@aol
Gage Manufacturing, 663 W. 7th St., A, San Pedro, CA 90731
/ 310-832-3546
Gaillard Barrels, P.O. Box 21, Pathlow, SK S0K 3B0 CANADA
/ 306-752-3769; FAX: 306-752-5969
Gain Twist Barrel Co., Rifle Works and Armory, 707 12th St.,
Cody, WY 82414 / 307-587-4919; FAX: 307-527-6097
Galati International, P.O. Box 10, 616 Burley Ridge Rd.,
Wesco, MO 65586 / 636-584-0785; FAX: 573-775-4308
support@galatiinternational.com
www.galatiinternational.com
Galaxy Imports Ltd., Inc., P.O. Box 3361, Victoria, TX 77903
/ 361-573-4867; FAX: 361-576-9622
galaxy@cox-internet.com
GALCO International Ltd., 2019 W. Quail Ave., Phoenix, AZ
85027 / 623-474-7070; FAX: 623-582-6854
customerservice@usgalco.com www.usgalco.com
Galena Industries AMT, 5463 Diaz St., Irwindale, CA 91706 /
626-856-8883; FAX: 626-856-8878
Gamba S.p.A. Societa' Armi Bresciane Srl, Renato, Via
Artigiani 93, ITALY / 30-8911640; FAX: 30-8911648
Gamba, USA, P.O. Box 60452, Colorado Springs, CO 80960 /
719-578-1145; FAX: 719-444-0731
Game Haven Gunstocks, 13750 Shire Rd., Wolverine, MI
49799 / 616-525-8257
Gamebore Division, Polywad, Inc., P.O. Box 7916, Macon, GA
31209 / 478-477-0669; or 800-998-0669
Gamo (See U.S. Importers-Arms United Corp, Daisy M
Gamo USA, Inc., 3911 SW 47th Ave., Suite 914, Ft.
Lauderdale, FL 33314 / 954-581-5822; FAX:
954-581-3165 gamousa@gate.net www.gamo.com
Gander Mountain, Inc., 12400 Fox River Rd., Wilmet, WI
53192 / 414-862-6848
GAR, 590 McBride Ave., West Paterson, NJ 07424 /
973-754-1114; FAX: 973-754-1114
garreloading@aol.com www.garreloading.com
Garcia National Gun Traders, Inc., 225 SW 22nd Ave., Miami,
FL 33135 / 305-642-2355
Garrett Cartridges, Inc., P.O. Box 178, Chehalis, WA 98532 /
360-736-0702 www.garrettcartridges.com
Garthwaite Pistolsmith, Inc., Jim, 12130 State Route 405,
Watsonville, PA 17777 / 570-538-1566; FAX:
570-538-2965 www.garthwaite.com
Gary Goudy Classic Stocks, 1512 S. 5th St., Dayton, WA
99328 / 509-382-2726 goudy@innw.net
Gary Reeder Custom Guns, 2601 7th Avenue East, Flagstaff,
AZ 86004 / 928-526-3313; FAX: 928-527-0840
gary@reedercustomguns.com
www.reedercustomguns.com
Gator Guns & Repair, 7952 Kenai Spur Hwy., Kenai, AK
99611-8311

MANUFACTURER'S DIRECTORY

- Gaucher Armes, S.A., 46 rue Desjoux, 42000, Saint-Etienne, FRANCE / 04-77-33-38-92; FAX: 04-77-61-95-72
- GDJ Enterprises, 409 Le Gardeur, Slidell, LA 70460 / 504-649-0693
- Gehmann, Walter (See Huntington Die Specialties)
- Genco, P.O. Box 5704, Asheville, NC 28803
- Geneco Gun Works, 10512 Lower Sacramento Rd., Stockton, CA 95210 / 209-951-0706; FAX: 209-931-3872
- Gene's Custom Guns, P.O. Box 10534, White Bear Lake, MN 55110 / 651-429-5105; FAX: 651-429-7365
- Gentex Corp., 5 Tinkham Ave., Derry, NH 03038 / 603-434-0311; FAX: 603-434-3002
sales@derry.gentexcorp.com
www.derry.gentexcorp.com
- Gentner Bullets, 109 Woodlawn Ave., Upper Darby, PA 19082 / 610-352-9396
- Gentry Custom LLC, 314 N. Hoffman, Belgrade, MT 59714 / 406-388-GUNS davidgent@mcn.net
www.gentrycustom.com
- George & Roy's, P.O. Box 2125, Sisters, OR 97759-2125 / 503-228-5424; or 800-553-3022; FAX: 503-225-9409
- George Hoenig, Inc., 6521 Morton Dr., Boise, ID 83704 / 208-375-1116; FAX: 208-375-1116
- George Ibberson (Sheffield) Ltd., 25-31 Allen St., Sheffield, S3 7AW ENGLAND / 0114-2766123; FAX: 0114-2738465 sales@eggintongroup.co.uk
www.eggintongroup.co.uk
- George Madis Winchester Consultants, George Madis, P.O. Box 545, Brownsboro, TX 75756 / 903-852-6480; FAX: 903-852-3045 gmadis@earthlink.com
www.georgemadis.com
- Gerber Legendary Blades, 14200 SW 72nd Ave., Portland, OR 97223 / 503-639-6161; or 800-950-6161; FAX: 503-684-7008
- Gervais, Mike, 3804 S. Cruise Dr., Salt Lake City, UT 84109 / 801-277-7729
- Getz Barrel Company, P.O. Box 88, 426 E. Market St., Beavertown, PA 17813 / 570-658-7263; FAX: 570-658-4110 www.getzbrl.com
- Giacomo Sporting USA, 6234 Stokes Lee Center Rd., Lee Center, NY 13363
- Gibbs Rifle Co., Inc., 219 Lawn St., Martinsburg, WV 25401 / 304-262-1651; FAX: 304-262-1658
support@gibbsrifle.com www.gibbsrifle.com
- Gil Hebard Guns, Inc., 125 Public Square, Knoxville, IL 61448 / 309-289-2700; FAX: 309-289-2233
- Gilbert Equipment Co., Inc., 960 Downtowner Rd., Mobile, AL 36609 / 205-344-3322
- Gillmann, Edwin, 33 Valley View Dr., Hanover, PA 17331 / 717-632-1662 gillmaned@super-pa.net
- Gilmore Sports Concepts, Inc., 5949 S. Garnett Rd., Tulsa, OK 74146 / 918-250-3810; FAX: 918-250-3845
info@gilmoresports.com www.gilmoresports.com
- Giron, Robert E., 12671 Cousins Rd., Peosta, IA 52068 / 412-731-6041
- Glacier Glove, 4890 Aircenter Circle, Suite 210, Reno, NV 89502 / 702-825-8225; FAX: 702-825-6544
- Glaser LLC, P.O. Box 173, Sturgis, SD 57785 / 605-347-4544; or 800-221-3489; FAX: 605-347-5055
email@corbon.com www.safetyslug.com
- Glaser Safety Slug, Inc., P.O. Box 8223, Foster City, CA 94404 / 800-221-3489; FAX: 510-785-6685 safetyslug.com
- Glass, Herb, P.O. Box 25, Bullville, NY 10915 / 914-361-3021
- Glimm, Jerome. See: GLIMM'S CUSTOM GUN ENGRAVING
- Glimm's Custom Gun Engraving, Jerome C. Glimm, 19 S. Maryland, Conrad, MT 59425 / 406-278-3574
jandglimm@mcn.net
- Glock GmbH, P.O. Box 50, A-2232, Deutsch Wagram, AUSTRIA
- Glock, Inc., P.O. Box 369, Smyrna, GA 30081 / 770-432-1202; FAX: 770-433-8719
- Glynn Scobey Duck & Goose Calls, Rt. 3, Box 37, Newbern, TN 38059 / 731-643-6128
- GML Products, Inc., 394 Laredo Dr., Birmingham, AL 35226 / 205-979-4867
- Gner's Hard Cast Bullets, 1107 11th St., LaGrande, OR 97850 / 503-963-8796
- Goens, Dale W., P.O. Box 224, Cedar Crest, NM 87008 / 505-281-5419
- Goergen's Gun Shop, Inc., 17985 538th Ave., Austin, MN 55912 / 507-433-9280
- GOEX, Inc., P.O. Box 659, Doyline, LA 71023-0659 / 318-382-9300; FAX: 318-382-9303
mfahringergoexpowder.com www.goexpowder.com
- Golden Age Arms Co., 115 E. High St., Ashley, OH 43003 / 614-747-2488
- Golden Bear Bullets, 3065 Fairfax Ave., San Jose, CA 95148 / 408-238-9515
- Gonic Arms/North American Arms, Inc., 134 Flagg Rd., Gonic, NH 03839 / 603-332-8456; or 603-332-8457
- Goodling's Gunsmithing, 1950 Stoverstown Rd., Spring Grove, PA 17362 / 717-225-3350
- Goodwin, Fred. See: GOODWIN'S PAWN SHOP
- Goodwin's Pawn Shop, Fred Goodwin, Silver Ridge, ME 04776 / 207-365-4451
- Gotz Bullets, 11426 Edgemere Ter., Roscoe, IL 61073-8232
- Gould & Goodrich, 709 E. McNeil, Lillington, NC 27546 / 910-893-2071; FAX: 910-893-4742
- Gourmet Artistic Engraving, Geoffrey Gournet, 820 Paxinos Ave., Easton, PA 18042 / 610-559-0710
www.geoffroygourmet.com
- Gournet, Geoffrey. See: GOURNET ARTISTIC ENGRAVING
- Grace, Charles E., 718 E. 2nd, Trinidad, CO 81082 / 719-846-9435 chuckgrace@sensonic.org
- Grace Metal Products, P.O. Box 67, Elk Rapids, MI 49629 / 616-264-8133
- Graf & Sons, 4050 S. Clark St., Mexico, MO 65265 / 573-581-2266; FAX: 573-581-2875
customerservice@grafs.com www.grafs.com
- Grand Slam Hunting Products, Box 121, 25454 Military Rd., Cascade, MD 21719 / 301-241-4900; FAX: 301-241-4900 rj6cal@aol.com
- Granite Mountain Arms, Inc., 3145 W. Hidden Acres Trail, Prescott, AZ 86305 / 520-541-9758; FAX: 520-445-6826
- Grant, Howard V., Hiawatha 15, Woodruff, WI 54568 / 715-356-7146
- Graphics Direct, P.O. Box 372421, Reseda, CA 91337-2421 / 818-344-9002
- Graves Co., 1800 Andrews Ave., Pompano Beach, FL 33069 / 800-327-9103; FAX: 305-960-0301
- Grayback Wildcats, Mike Beeks, 5306 Bryant Ave., Klamath Falls, OR 97603 / 541-884-1072; FAX: 541-884-1072
graybackwildcats@aol.com
- Graybill's Gun Shop, 1035 Ironville Pike, Columbia, PA 17512 / 717-684-2739
- Great American Gunstock Co., 3420 Industrial Drive, Yuba City, CA 95993 / 800-784-4867; FAX: 530-671-3906
gunstock@hotmail.com www.gunstocks.com
- Great Lakes Airguns, 6175 S. Park Ave., Hamburg, NY 14075 / 716-648-6666; FAX: 716-648-6666
www.greatlakesairguns.com
- Green, Arthur S., 485 S. Robertson Blvd., Beverly Hills, CA 90211 / 310-274-1283
- Green, Roger M., P.O. Box 984, 435 E. Birch, Glenrock, WY 82637 / 307-436-9804
- Green Head Game Call Co., RR 1, Box 33, Lacon, IL 61540 / 309-246-2155
- Green Mountain Rifle Barrel Co., Inc., P.O. Box 2670, 153 West Main St., Conway, NH 03818 / 603-447-1095; FAX: 603-447-1099 www.gmriflebarrel.com
- Greenwood Precision, P.O. Box 407, Rogersville, MO 65742 / 417-725-2330
- Greg Gunsmithing Repair, 3732 26th Ave. North, Robbinsdale, MN 55422 / 612-529-8103
- Greg's Superior Products, P.O. Box 46219, Seattle, WA 98146
- Greider Precision, 431 Santa Marina Ct., Escondido, CA 92029 / 760-480-8892; FAX: 760-480-9800
greider@msn.com
- Gre-Tan Rifles, 29742 W.C.R. 50, Kersey, CO 80644 / 970-353-6176; FAX: 970-356-5940 www.gtrtooling.com
- Grier's Hard Cast Bullets, 1107 11th St., LaGrande, OR 97850 / 503-963-8796
- Griffin & Howe, Inc., 36 W. 44th St., Suite 1011, New York, NY 10036 / 212-921-0980 info@griffinhowe.com
www.griffinhowe.com
- Griffin & Howe, Inc., 340 W. Putnam Ave., Greenwich, CT 06830 / 203-618-0270 info@griffinhowe.com
www.griffinhowe.com
- Griffin & Howe, Inc., 33 Claremont Rd., Bernardville, NJ 07924 / 908-766-2287; FAX: 908-766-1068
info@griffinhowe.com www.griffinhowe.com
- Grifon, Inc., 58 Guinam St., Waltham, MS 02154
- Groenewold, John, P.O. Box 830, Mundelein, IL 60060 / 847-566-2365; FAX: 847-566-4065
jgairguns@directway.com
http://jgairguns.tripod.com/airgun
- GRS / Glendo Corp., P.O. Box 1153, 900 Overlander St., Emporia, KS 66801 / 620-343-1084; or 800-836-3519; FAX: 620-343-9640 glendo@glendo.com
www.glendo.com
- Grilla Armes, Apartado 453, Avda Otaloa 12, Eiber, SPAIN
- Gruning Precision, Inc., 7101 Jurupa Ave., No. 12, Riverside, CA 92504 / 909-289-4371; FAX: 909-689-7791
gruningprecision@earthlink.net
www.gruningprecision.com
- GSI, Inc., 7661 Commerce Ln., Trussville, AL 35173 / 205-655-8299
- GTB-Custom Bullets, 482 Comerwood Court, S. San Francisco, CA 94080 / 650-583-1550
- Guarasi, Robert. See: WILCOX INDUSTRIES CORP.
- Guardsman Products, 411 N. Darling, Fremont, MI 49412 / 616-924-3950
- Gun City, 212 W. Main Ave., Bismarck, ND 58501 / 701-223-2304
- Gun Hunter Books (See Gun Hunter Trading Co.), 5075 Heisig St., Beaumont, TX 77705 / 409-835-3006; FAX: 409-838-2266 gunhuntertrading@hotmail.com
- Gun Hunter Trading Co., 5075 Heisig St., Beaumont, TX 77705 / 409-835-3006; FAX: 409-838-2266
gunhuntertrading@hotmail.com
- Gun Leather Limited, 116 Lipscomb, Ft. Worth, TX 76104 / 817-334-0225; FAX: 800-247-0609
- Gun List (See Krause Publications), 700 E State St., Iola, WI 54990 / 715-445-2214; FAX: 715-445-4087
- Gun South, Inc. (See GSI, Inc.)
- Gun Vault, 7339 E. Acoma Dr., Ste. 7, Scottsdale, AZ 85260 / 602-951-6855
- Gun-Alert, 1010 N. MacLay Ave., San Fernando, CA 91340 / 818-365-0864; FAX: 818-365-1308
- Guncraft Books (See Guncraft Sports, Inc.), 10737 Dutchtown Rd., Knoxville, TN 37932 / 865-966-4545; FAX: 865-966-4500 findit@guncraft.com
www.guncraft.com
- Guncraft Sports, Inc., 10737 Dutchtown Rd., Knoxville, TN 37932 / 865-966-4545; FAX: 865-966-4500
findit@guncraft.com www.usit.net/guncraft
- Guncraft Sports, Inc., Marie C. Wiest, 10737 Dutchtown Rd., Knoxville, TN 37932 / 865-966-4545; FAX: 865-966-4500 findit@guncraft.com www.guncraft.com
- Gunrafter Industries, 171 Madison 1510, Huntsville, AR 72740 / 479-665-2466 www.gunrafterindustries.com
- Gun-Ho Sports Cases, 110 E. 10th St., St. Paul, MN 55101 / 612-224-9491
- Gunline Tools, 2950 Saturn St., "O", Brea, CA 92821 / 714-993-5100; FAX: 714-572-4128
- Gunnerman Books, P.O. Box 81697, Rochester Hills, MI 48308 / 248-608-2856
- Guns Antique & Modern DBA / Charles E. Duffy, Williams Lane, West Hurley, NY 12491 / 914-679-2997
- Guns Div. of D.C. Engineering, Inc., 8633 Southfield Fwy., Detroit, MI 48228 / 313-271-7111; or 800-886-7623; FAX: 313-271-7112 guns@rifletech.com
www.rifletech.com
- GUNS Magazine, 591 Camino de la Reina, Suite 200, San Diego, CA 92108 / 619-297-5350; FAX: 619-297-5353
- Gunsite Training Center, P.O. Box 700, Paulden, AZ 86334 / 520-636-4565; FAX: 520-636-1236
- Gunsmithing Ltd., 57 Unquowa Rd., Fairfield, CT 06824 / 203-254-0436; FAX: 203-254-1535
- Gunsmithing, Inc., 30 West Buchanan St., Colorado Springs, CO 80907 / 719-632-3795; FAX: 719-632-3493
- Gurney, F. R., Box 13, Sooke, BC V0S 1N0 CANADA / 604-642-5282; FAX: 604-642-7859

H

- H&B Forge Co., Rt. 2, Geisinger Rd., Shiloh, OH 44878 / 419-895-1856
- H&P Publishing, 7174 Hoffman Rd., San Angelo, TX 76905 / 915-655-5953
- H&R 1871.LLC, 60 Industrial Rowe, Gardner, MA 01440 / 508-632-9393; FAX: 508-632-2300
hr1871@hr1871.com www.hr1871.com
- H. Kriehoff Gun Co., Boschstrasse 22, D-89079, Ulm, GERMANY / 731-401820; FAX: 731-4018270
- H.K.S. Products, 7841 Founion Dr., Florence, KY 41042 / 606-342-7841; or 800-354-9814; FAX: 606-342-5865
- H.P. White Laboratory, Inc., 3114 Scarboro Rd., Street, MD 21154 / 410-838-6550; FAX: 410-838-2802
- Hafner World Wide, Inc., P.O. Box 1987, Lake City, FL 32055 / 904-755-6481; FAX: 904-755-6595
hafner@isgroupe.net
- Hakko Co. Ltd., 1-13-12, Narimasu, Itabashiku Tokyo, JAPAN / 03-5997-78702; FAX: 81-3-5997-7840
- Half Moon Rifle Shop, 490 Halfmoon Rd., Columbia Falls, MT 59912 / 406-892-4409 halfmoonrs@centurytel.net
- Hall Manufacturing, 142 CR 406, Clanton, AL 35045 / 205-755-4094
- Hall Plastics, Inc., John, P.O. Box 1526, Alvin, TX 77512 / 713-489-8709
- Hallberg, Fritz. See: CAMBOS OUTDOORSMAN

MANUFACTURER'S DIRECTORY

- Hallowell & Co., P.O. Box 1445, Livingston, MT 59047 / 406-222-4770; FAX: 406-222-4792
morris@hallowellco.com www.hallowellco.com
- Hally Caller, 443 Wells Rd., Doylestown, PA 18901 / 215-345-6354; FAX: 215-345-8892 info@hallycaller.com www.hallycaller.com
- Hamilton, Alex B. (See Ten-Ring Precision, Inc.)
- Hammans, Charles E., P.O. Box 788, 2022 McCracken, Stuttgart, AR 72160-0788 / 870-673-1388
- Hammerli Ltd., Seonerstrasse 37, CH-5600, SWITZERLAND / 064-50 11 44; FAX: 064-51 38 27
- Hammerli Service-Precision Mac, Rudolf Marent, 9711 Tiltree St., Houston, TX 77075 / 713-946-7028
rmarent@webtv.net
- Hammerli USA, 19296 Oak Grove Circle, Groveland, CA 95321 FAX: 209-962-5311
- Hammond Custom Guns Ltd., 619 S. Pandora, Gilbert, AZ 85234 / 602-892-3437
- HandCrafts Unltd. (See Clements' Custom Leather), 1741 Dallas St., Aurora, CO 80010-2018 / 303-364-0403; FAX: 303-739-9824 gryphons@home.com kulntaascat.com
- Handgun Press, P.O. Box 406, Glenview, IL 60025 / 847-657-6500; FAX: 847-724-8831
handgunpress@earthlink.net
- Hank's Gun Shop, Box 370, 50 West 100 South, Monroe, UT 84754 / 801-527-4456
- Hanned Precision (See The Hanned Line)
- Hansen & Co., 244-246 Old Post Rd., Southport, CT 06490 / 203-259-6222; FAX: 203-254-3832
- Hanson's Gun Center, Dick, 233 Everett Dr., Colorado Springs, CO 80911
- Harford (See U.S. Importer-EMF Co. Inc.)
- Harper's Custom Stocks, 928 Lombrano St., San Antonio, TX 78207 / 210-732-7174
- Harrell's Precision, 5756 Hickory Dr., Salem, VA 24153 / 540-380-2683
- Harrington & Richardson (See H&R 1871, Inc.)
- Harris Engineering Inc., Dept GD54, Barlow, KY 42024 / 502-334-3633; FAX: 502-334-3000
- Harris Enterprises, P.O. Box 105, Bly, OR 97622 / 503-353-2625
- Harris Hand Engraving, Paul A., 113 Rusty Ln., Boerne, TX 78006-5746 / 512-391-5121
- Harris Publications, 1115 Broadway, New York, NY 10010 / 212-807-7100; FAX: 212-627-4678
- Harrison Bullets, 6437 E. Hobart St., Mesa, AZ 85205
- Harry Lawson Co., 3328 N. Richey Blvd., Tucson, AZ 85716 / 520-326-1117; FAX: 520-326-1117
- Hart & Son, Inc., Robert W., 401 Montgomery St., Nescopock, PA 18635 / 717-752-3655; FAX: 717-752-1088
- Hart Rifle Barrels, Inc., P.O. Box 182, 1690 Apulia Rd., Lafayette, NY 13084 / 315-677-9841; FAX: 315-677-9610 hartrb@aol.com hartbarrels.com
- Hartford (See U.S. Importer-EMF Co. Inc.)
- Hartmann & Weiss GmbH, Rahlstedter Bahnhofstr. 47, 22143, Hamburg, GERMANY / (40) 677 55 85; FAX: (40) 677 55 92 hartmannundweiss-t-online.de
- Harvey, Frank, 218 Nightfall, Terrace, NV 89015 / 702-558-6998
- Harwood, Jack O., 1191 S. Pendlebury Lane, Blackfoot, ID 83221 / 208-785-5368
- Hastings, P.O. Box 224, Clay Center, KS 67432 / 785-632-3169; FAX: 785-632-6554
- Hatfield Gun, 224 N. 4th St., St. Joseph, MO 64501
- Hawk Laboratories, Inc. (See Hawk, Inc.), 849 Hawks Bridge Rd., Salem, NJ 08079 / 609-299-2700; FAX: 609-299-2800
- Hawk, Inc., 849 Hawks Bridge Rd., Salem, NJ 08079 / 609-299-2700; FAX: 609-299-2800
info@hawkbullets.com www.hawkbullets.com
- Hawken Shop, The (See Dayton Traister)
- Haydel's Game Calls, Inc., 5018 Hazel Jones Rd., Bossier City, LA 71111 / 318-746-3586; FAX: 318-746-3711
- Heatbath Corp., P.O. Box 2978, Springfield, MA 01101 / 413-543-3381
- Hecht, Hubert J., Waffen-Hecht, P.O. Box 2635, Fair Oaks, CA 95628 / 916-966-1020
- Heckler & Koch GmbH, PO Box 1329, 78722 Oberndorf, Neckar, GERMANY / 49-7423179-0; FAX: 49-7423179-2406
- Heckler & Koch, Inc., 21480 Pacific Blvd., Sterling, VA 20166-8900 / 703-450-1900; FAX: 703-450-8160
www.hecklerkoch-usa.com
- Hege Jagd-u. Sporthandels GmbH, P.O. Box 101461, W-7770, Ueberlingen a. Boden, GERMANY
- Heidenstrom Bullets, Dalgte 86-3660 Rjukan, 35091818, NORWAY, ola.u.joh@online.tuo
- Heilmann, Stephen, P.O. Box 657, Grass Valley, CA 95945 / 530-272-8758; FAX: 530-274-0285 sheilmann@jps.net www.metalwood.com
- Heinie Specialty Products, 301 Oak St., Quincy, IL 62301-2500 / 217-228-9500; FAX: 217-228-9502
rheinie@heinie.com www.heinie.com
- Helwan (See U.S. Importer-Interarms)
- Henigson & Associates, Steve, PO Box 2726, Culver City, CA 90231 / 310-305-8288; FAX: 310-305-1905
- Henriksen Tool Co., Inc., 8515 Wagner Creek Rd., Talent, OR 97540 / 541-535-2309; FAX: 541-535-2309
- Henry Repeating Arms Co., 110 8th St., Brooklyn, NY 11215 / 718-499-5600; FAX: 718-768-8056
info@henryrepeating.com www.henryrepeating.com
- Hensley, Gunmaker, Darwin, PO Box 329, Brightwood, OR 97011 / 503-622-5411
- Heppler, Keith. See: KEITH'S CUSTOM GUNSTOCKS
- Hercules, Inc. (See Alliant Techsystems, Smokeless)
- Heritage Firearms (See Heritage Mfg., Inc.)
- Heritage Manufacturing, Inc., 4600 NW 135th St., Opa Locka, FL 33054 / 305-685-5966; FAX: 305-687-6721
infohmi@heritagemfg.com www.heritagemfg.com
- Heritage/VSP Gun Books, P.O. Box 887, McCall, ID 83638 / 208-634-4104; FAX: 208-634-3101
heritage@gunbooks.com www.gunbooks.com
- Herrett's Stocks, Inc., P.O. Box 741, Twin Falls, ID 83303 / 208-733-1498
- Herter's Manufacturing Inc., 111 E. Burnett St., P.O. Box 518, Beaver Dam, WI 53916-1811 / 414-887-1765; FAX: 414-887-8444
- Hesco-Meprolight, 2139 Greenville Rd., LaGrange, GA 30241 / 706-884-7967; FAX: 706-882-4683
- Hesse Arms, Robert Hesse, 1126 70th Street E., Inver Grove Heights, MN 55077-2416 / 651-455-5760; FAX: 612-455-5760
- Hesse, Robert. See: HESSE ARMS
- Heydenberk, Warren R., 1059 W. Sawmill Rd., Quakertown, PA 18951 / 215-538-2682
- Hickman, Jaclyn, Box 1900, Glenrock, WY 82637
- Hidalgo, Tony, 12701 SW 9th Pl., Davie, FL 33325 / 954-476-7645
- High Bridge Arms, Inc., 3185 Mission St., San Francisco, CA 94110 / 415-282-8358
- High North Products, Inc., P.O. Box 2, Antigo, WI 54409 / 715-627-2331; FAX: 715-623-5451
- High Performance International, 5734 W. Florist Ave., Milwaukee, WI 53218 / 414-466-9040
- High Precision, Bud Welsh, 80 New Road, E. Amherst, NY 14051 / 716-688-6344; FAX: 716-688-0425
welsh5168@aol.com www.high-precision.com
- High Standard Mfg. Co./F.I., Inc., 5200 Mitchelldale St., Ste. E17, Houston, TX 77092-7222 / 713-462-4200; or 800-272-7816; FAX: 713-681-5665
info@highstandard.com www.highstandard.com
- High Tech Specialties, Inc., P.O. Box 839, 293 E Main St., Rear, Adamstown, PA 19501 / 717-484-0405; FAX: 717-484-0523 bansner@aol.com
www.bansnersrifle.com/hightech
- Highline Machine Co., Randall Thompson, Randall Thompson, 654 Lela Place, Grand Junction, CO 81504 / 970-434-4971
- Highwood Special Products, 1531 E. Highwood, Pontiac, MI 48340
- Hi-Grade Imports, 8655 Monterey Rd., Gilroy, CA 95021 / 408-842-9301; FAX: 408-842-2374
- Hill, Loring F., 304 Cedar Rd., Elkins Park, PA 19027
- Hill Speed Leather, Ernie, 4507 N 195th Ave., Litchfield Park, AZ 85340 / 602-853-9222; FAX: 602-853-9235
- Hinman Outfitters, Bob, 107 N Sanderson Ave., Bartonville, IL 61607-1839 / 309-691-8132
- Hi-Performance Ammunition Company, 484 State Route 366, Apollo, PA 15613 / 412-327-8100
- HIP-GRIP Barami Corp., P.O. Box 252224, West Bloomfield, MI 48325-2224 / 248-738-0462; FAX: 248-738-2542
hipgrip@aol.com www.hipgrip.com
- Hi-Point Firearms/MKS Supply, 8611-A North Dixie Dr., Dayton, OH 45414 / 877-425-4867; FAX: 937-454-0503
www.hi-pointfirearms.com
- Hiptmayer, Armurier, RR 112 750, P.O. Box 136, Eastman, PQ JOE 1P0 CANADA / 514-297-2492
- Hiptmayer, Heidemarie, RR 112 750, P.O. Box 136, Eastman, PQ JOE 1P0 CANADA / 514-297-2492
- Hiptmayer, Klaus, RR 112 750, P.O. Box 136, Eastman, PQ JOE 1P0 CANADA / 514-297-2492
- Hirtenberger AG, Leobersdorferstrasse 31, A-2552, Hirtenberg, AUSTRIA / 43(0)2256 81184; FAX: 43(0)2256 81808 www.hirtenberger.at
- HJS Arms, Inc., P.O. Box 3711, Brownsville, TX 78523-3711 / 956-542-2767; FAX: 956-542-2767
- Hoag, James W., 8523 Canoga Ave., Suite C, Canoga Park, CA 91304 / 818-998-1510
- Hobson Precision Mfg. Co., 210 Big Oak Ln., Brent, AL 35034 / 205-926-4662; FAX: 205-926-3193
cahobob@dbtech.net
- Hodgdon Powder Co., 6231 Robinson, Shawnee Mission, KS 66202 / 913-362-9455; FAX: 913-362-1307
- Hodgman, Inc., 1750 Orchard Rd., Montgomery, IL 60538 / 708-897-7555; FAX: 708-897-7558
- Hodgson, Richard, 9081 Tahoe Lane, Boulder, CO 80301
- Hoehn Sales, Inc., 2045 Kohn Road, Wright City, MO 63390 / 636-745-8144; FAX: 636-745-7868
hoehnsal@usmo.com
- Hofer Jagdwaffen, P., Buchsenmachermeister, Kirchgasse 24, A-9170 Ferlach, AUSTRIA / 43 4227 3683; FAX: 43 4227 368330 peterhofer@hoferwaffen.com
www.hoferwaffen.com
- Hoffman New Ideas, 821 Northmoor Rd., Lake Forest, IL 60045 / 312-234-4075
- Hogue Grips, P.O. Box 1138, Paso Robles, CA 93447 / 800-438-4747 or 805-239-1440; FAX: 805-239-2553
- Holland & Holland Ltd., 33 Bruton St., London, ENGLAND / 44-171-499-4411; FAX: 44-171-408-7962
- Holland's Gunsmithing, P.O. Box 69, Powers, OR 97466 / 541-439-5155; FAX: 541-439-5155
- Hollinger, Jon. See: ASPEN OUTFITTING CO.
- Hollywood Engineering, 10642 Armita St., Sun Valley, CA 91352 / 818-842-8376; FAX: 818-504-4168
cadqueenel1@aol.com
- Homak, 5151 W. 73rd St., Chicago, IL 60638-6613 / 312-523-3100; FAX: 312-523-9455
- Home Shop Machinist, The Village Press Publications, P.O. Box 1810, Traverse City, MI 49685 / 800-447-7367; FAX: 616-946-3289
- Hondo Ind., 510 S. 52nd St., I04, Tempe, AZ 85281
- Hoppe's Div. Penguin Industries, Inc., P.O. Box 1690, Oregon City, OR 97045-0690 / 610-384-6000
- Horizons Unlimited, P.O. Box 426, Warm Springs, GA 31830 / 706-655-3603; FAX: 706-655-3603
- Hornady Mfg. Co., P.O. Box 1848, Grand Island, NE 68802 / 800-338-3220 or 308-382-1390; FAX: 308-382-5761
- Horseshoe Leather Products, Andy Arratootian, The Cottage Sharow, Ripon U.K., ENGLAND U.K. / 44-1765-605858
andy@horseshoe.co.uk www.holsters.org
- House of Muskets, Inc., The, PO Box 4640, Pagosa Springs, CO 81157 / 970-731-2295
- Houtz & Warwick, P.O. Box 435, W. Church St., Elizabeth City, NC 27909 / 800-775-0337; or 919-335-4191; FAX: 919-335-1152
- Howa Machinery, Ltd., Sukaguchi, Shinkawa-cho Nishikasugai-gun, Aichi 452-8601, JAPAN / 81-52-408-1231; FAX: 81-52-401-4999
howa@howa.co.jp http://www.howa.co.jp/
- Howell Machine, 815 1/2 D St., Lewiston, ID 83501 / 208-743-7418
- H-S Precision, Inc., 1301 Turbine Dr., Rapid City, SD 57701 / 605-341-3006; FAX: 605-342-8964
- HT Bullets, 244 Belleville Rd., New Bedford, MA 02745 / 508-999-3338
- Hubert J. Hecht Waffen-Hecht, P.O. Box 2635, Fair Oaks, CA 95628 / 916-966-1020
- Huebner, Corey O., P.O. Box 564, Frenchtown, MT 59834 / 406-721-7168 bugsboys@hotmail.com
- Huey Gun Cases, 820 Indiana St., Lawrence, KS 66044-2645 / 816-444-1637; FAX: 816-444-1637
hueycases@aol.com www.hueycases.com
- Hume, Don, P.O. Box 351, Miami, OK 74355 / 800-331-2686; FAX: 918-542-4340 info@donhume.com
www.donhume.com
- Hunkeler, A. (See Buckskin Machine Works), 3235 S 358th St., Auburn, WA 98001 / 206-927-5412
- Hunter Co., Inc., 3300 W. 71st Ave., Westminster, CO 80030 / 303-427-4626; FAX: 303-428-3980
debbiet@huntercompany.com
www.huntercompany.com
- Hunterjohn, PO Box 771457, St. Louis, MO 63177 / 314-531-7250 www.hunterjohn.com
- Hunter's Specialties Inc., 6000 Huntington Ct. NE, Cedar Rapids, IA 52402-1268 / 319-395-0321; FAX: 319-395-0326
- Hunters Supply, Inc., P.O. Box 313, Tioga, TX 76271 / 940-437-2458; FAX: 940-437-2228
hunterssupply@hotmail.com www.hunterssupply.net
- Huntington Die Specialties, 601 Oro Dam Blvd., Oroville, CA 95965 / 530-534-1210; FAX: 530-534-1212
buy@huntingtons.com www.huntingtons.com
- Hutton Rifle Ranch, P.O. Box 170317, Boise, ID 83717 / 208-345-8781 www.martinbrevik@aol.com

MANUFACTURER'S DIRECTORY

Hydrosorbent Products, PO Box 437, Ashley Falls, MA 01222 / 800-448-7903; FAX: 413-229-8743
orders@dehumidify.com www.dehumidify.com

I

I.A.B. (See U.S. Importer-Taylor's & Co. Inc.)
I.D.S.A. Books, 1324 Stratford Drive, Piqua, OH 45356 / 937-773-4203; FAX: 937-778-1922
I.N.C. Inc. (See Kickee I.N.C., Inc.)
I.S.S., P.O. Box 185234, Ft. Worth, TX 76181 / 817-595-2090; FAX: 817-595-2090 iss@concentric.net
I.S.W., 106 E. Cairo Dr., Tempe, AZ 85282
IAR Inc., 33171 Camino Capistrano, San Juan Capistrano, CA 92675 / 949-443-3642; FAX: 949-443-3647
sales@iar-arms.com iar-arms.com
Ide, Ken. See: STURGEON VALLEY SPORTERS
IGA (See U.S. Importer-Stoeger Industries)
Image Ind. Inc., 382 Balm Court, Wood Dale, IL 60191 / 630-766-2402; FAX: 630-766-7373
Impact Case & Container, Inc., P.O. Box 1129, Rathdrum, ID 83858 / 877-687-2452; FAX: 208-687-0632
bradk@icc-case.com www.icc-case.com
Imperial (See E-Z-Way Systems), P.O. Box 4310, Newark, OH 43058-4310 / 614-345-6645; FAX: 614-345-6600
ezway@infinet.com www.icunald.com
Imperial Magnum Corp., P.O. Box 249, Oroville, WA 98844 / 604-495-3131; FAX: 604-495-2816
Imperial Miniature Armory, 10547 S. Post Oak Road, Houston, TX 77035-3305 / 713-729-8428; FAX: 713-729-2274 miniguns@aol.com
www.1800miniature.com
Imperial Schrade Corp., 7 Schrade Ct., Box 7000, Ellenville, NY 12428 / 914-647-7601; FAX: 914-647-8701
csc@schradeknives.com www.schradeknives.com
Import Sports Inc., 1750 Brielle Ave., Unit B1, Wanamassa, NJ 07712 / 732-493-0302; FAX: 732-493-0301
gsodini@aol.com www.bersa-11tama.com
IMR Powder Co., 1080 Military Turnpike, Suite 2, Plattsburgh, NY 12901 / 518-563-2253; FAX: 518-563-6916
Info-Arm, P.O. Box 1262, Champlain, NY 12919 / 514-955-0355; FAX: 514-955-0357
infoarm@qc.aira.com
Ingle, Ralph W., Engraver, 112 Manchester Ct., Centerville, GA 31028 / 478-953-5824 riengraver@aol.com
www.fega.com
Innovative Weaponry Inc., 2513 E. Loop 820 N., Fort Worth, TX 76118 / 817-284-0099 or 800-334-3573
INTEC International, Inc., P.O. Box 5708, Scottsdale, AZ 85261 / 602-483-1708
Inter Ordnance of America LP, 3305 Westwood Industrial Dr., Monroe, NC 28110-5204 / 704-821-8337; FAX: 704-821-8523
Intercontinental Distributors, Ltd., PO Box 815, Beulah, ND 58523
Intrac Arms International, 5005 Chapman Hwy., Knoxville, TN 37920
Ion Industries, Inc., 3508 E Allerton Ave., Cudahy, WI 53110 / 414-486-2007; FAX: 414-486-2017
Iosso Products, 1485 Lively Blvd., Elk Grove Village, IL 60007 / 847-437-8400; FAX: 847-437-8478
Iron Bench, 12619 Bailey Rd., Redding, CA 96003 / 916-241-4623
Ironside International Publishers, Inc., P.O. Box 1050, Lorton, VA 22199
Ironsighter Co., P.O. Box 85070, Westland, MI 48185 / 734-326-8731; FAX: 734-326-3378
www.ironighter.com
Irwin, Campbell H., 140 Hartland Blvd., East Hartland, CT 06027 / 203-653-3901
Island Pond Gun Shop, Cross St., Island Pond, VT 05846 / 802-723-4546
Israel Arms Inc., 5625 Star Ln. #B, Houston, TX 77057 / 713-789-0745; FAX: 713-914-9515
www.israelarms.com
Ithaca Classic Doubles, Stephen Lamboy, No. 5 Railroad St., Victor, NY 14564 / 716-924-2710; FAX: 716-924-2737
ithacadoubles.com
Ithaca Gun Company LLC, 901 Rt. 34 B, King Ferry, NY 13081 / 315-364-7171; FAX: 315-364-5134
info@ithacagun.com
Ivanoff, Thomas G. (See Tom's Gun Repair)

J

J J Roberts Firearm Engraver, 7808 Lake Dr, Manassas, VA 20111 / 703-330-0448; FAX: 703-264-8600
james..roberts@angelfire.com
www.angelfire.com/va2/engraver
J&D Components, 75 East 350 North, Orem, UT 84057-4719 / 801-225-7007 www.jdcomponents.com
J&J Products, Inc., 9240 Whitmore, El Monte, CA 91731 / 818-571-5228; FAX: 800-927-8361
J&J Sales, 1501 21st Ave. S., Great Falls, MT 59405 / 406-727-9789 mtshootingbench@yahoo.com
www.jjsales.us
J&L Superior Bullets (See Huntington Die Special)
J&R Engineering, P.O. Box 77, 200 Lyons Hill Rd., Athol, MA 01331 / 508-249-9241
J&R Enterprises, 4550 Scotts Valley Rd., Lakeport, CA 95453
J&S Heat Treat, 803 S. 16th St., Blue Springs, MO 64015 / 816-229-2149; FAX: 816-228-1135
J. Dewey Mfg. Co., Inc., P.O. Box 2014, Southbury, CT 06488 / 203-264-3064; FAX: 203-262-6907
deweyrods@worldnet.att.net www.deweyrods.com
J. Korzinek Riflesmith, RD 2, Box 73D, Canton, PA 17724 / 717-673-8512
J.A. Blades, Inc. (See Christopher Firearms Co.)
J.A. Henckels Zwillingwerk Inc., 9 Skyline Dr., Hawthorne, NY 10532 / 914-592-7370
J.G. Anschutz GmbH & Co. KG, Daimlerstr. 12, D-89079 Ulm, Ulm, GERMANY / 49 731 40120; FAX: 49 731 4012700
JGA-info@anschuetz-sport.com
www.anschuetz-sport.com
J.G. Dapkus Co., Inc., Commerce Circle, P.O. Box 293, Durham, CT 06422 www.explodingtargets.com
J.I.T. Ltd., P.O. Box 230, Freedom, WY 83120 / 708-494-0937
J.J. Roberts / Engraver, 7808 Lake Dr., Manassas, VA 20111 / 703-330-0448 jirengraver@aol.com
www.angelfire.com/va2/engraver
J.P. Enterprises Inc., P.O. Box 378, Hugo, MN 55110 / 612-486-9064; FAX: 612-482-0970
J.R. Williams Bullet Co., 2008 Tucker Rd., Perry, GA 31069 / 912-987-0274
J.W. Morrison Custom Rifles, 4015 W. Sharon, Phoenix, AZ 85029 / 602-978-3754
J/B Adventures & Safaris Inc., 2275 E. Arapahoe Rd., Ste. 109, Littleton, CO 80122-1521 / 303-771-0977
Jack A. Rosenberg & Sons, 12229 Cox Ln., Dallas, TX 75234 / 214-241-6302
Jack Dever Co., 8520 NW 90th St., Oklahoma City, OK 73132 / 405-721-6393 jbdaver1@home.com
Jack First, Inc., 1201 Turbine Dr., Rapid City, SD 57703 / 605-343-8481; FAX: 605-343-9420
Jack Jonas Appraisals & Taki, 13952 E. Marina Dr., #604, Aurora, CO 80014
Jackalope Gun Shop, 1048 S. 5th St., Douglas, WY 82633 / 307-358-3441
Jaffin, Harry. See: BRIDGEMAN PRODUCTS
Jagd Waffen, Peter. See: BUCHSENMACHERMEISTER
James Churchill Glove Co., PO Box 298, Centralia, WA 98531 / 360-736-2816; FAX: 360-330-0151
churchillglove@localaccess.com
James Wayne Firearms for Collectors and Investors, 2608 N. Laurent, Victoria, BC V7Y901 / 361-578-1258; FAX: 361-578-3559
Jamison International, Marc Jamison, 3551 Mayer Ave., Sturgis, SD 57785 / 605-347-5090; FAX: 605-347-4704
jbell2@masttechnology.com
Jamison, Marc. See: JAMISON INTERNATIONAL
Jamison's Forge Works, 4527 Rd. 6.5 NE, Moses Lake, WA 98837 / 509-762-2659
Jantz Supply, 309 West Main Dept HD, Davis, OK 73030-0584 / 580-369-2316; FAX: 580-369-3082
jantz@brightok.net www.knifemaking.com
Jarrett Rifles, Inc., 383 Brown Rd., Jackson, SC 29831 / 803-471-3616 www.jarrettrifles.com
Jarvis, Inc., 1123 Cherry Orchard Lane, Hamilton, MT 59840 / 406-961-4392
Javelina Lube Products, P.O. Box 337, San Bernardino, CA 92402 / 909-350-9556; FAX: 909-429-1211
Jay McCament Custom Gunmaker, Jay McCament, 1730-134th St. Ct. S., Tacoma, WA 98444 / 253-531-8832
JB Custom, P.O. Box 6912, Leawood, KS 66206 / 913-381-2329
Jeff Flannery Engraving, 11034 Riddles Run Rd., Union, KY 41091 / 859-384-3127; FAX: 859-384-2222
engraving@fuse.net http://home.fuse.net/engraving/
Jeffredo Gunsight, P.O. Box 669, San Marcos, CA 92079 / 760-728-2695

Jena Eur, PO Box 319, Dunmore, PA 18512
Jenco Sales, Inc., P.O. Box 1000, Manchaca, TX 78652 / 800-531-5301; FAX: 800-266-2373
jencosales@sbcglobal.net
Jenkins Recoil Pads, 5438 E. Frontage Ln., Olney, IL 62450 / 618-395-3416
Jensen Bullets, RR 1 Box 187, Arco, ID 83213 / 208-785-5590
Jensen's Custom Ammunition, 5146 E. Pima, Tucson, AZ 85712 / 602-325-3346; FAX: 602-322-5704
Jensen's Firearms Academy, 1280 W. Prince, Tucson, AZ 85705 / 602-293-8516
Jericho Tool & Die Co., Inc., 2917 St. Hwy. 7, Bainbridge, NY 13733 / 607-563-8222; FAX: 607-563-8560
jerichotool.com www.jerichotool.com
Jerry Phillips Optics, P.O. Box L632, Langhorne, PA 19047 / 215-757-5037; FAX: 215-757-7097
Jesse W. Smith Saddlery, 0499 County Road J, Pritchett, CO 81064 / 509-325-0622
Jester Bullets, Rt. 1 Box 27, Orienta, OK 73737
Jewell Triggers, Inc., 3620 Hwy. 123, San Marcos, TX 78666 / 512-353-2999; FAX: 512-392-0543
JGS Precision Tool Mfg., LLC, 60819 Selander Rd., Coos Bay, OR 97420 / 541-267-4331; FAX: 541-267-5996
jgstools@harborside.com www.jgstools.com
Jim Blair Engraving, P.O. Box 64, Glenrock, WY 82637 / 307-436-8115 jblairengrav@msn.com
Jim Noble Co., 1305 Columbia St., Vancouver, WA 98660 / 360-695-1309; FAX: 360-695-6835 jnobleco@aol.com
Jim Norman Custom Gunstocks, 14281 Cane Rd., Valley Center, CA 92082 / 619-749-6252
Jim's Precision, Jim Ketchum, 1725 Moclips Dr., Petaluma, CA 94952 / 707-762-3014
JLK Bullets, 414 Turner Rd., Dover, AR 72837 / 501-331-4194
Johanssons Vapentillbehör, Bert, S-430 20, Veddigge, SWEDEN
John Hall Plastics, Inc., P.O. Box 1526, Alvin, TX 77512 / 713-489-8709
John J. Adams & Son Engravers, 7040 VT Rt 113, Vershore, VT 05079 / 802-685-0019
John Masen Co. Inc., 1305 Jelmak, Grand Prairie, TX 75050 / 817-430-8732; FAX: 817-430-1715
John Partridge Sales Ltd., Trent Meadows Rugeley, Staffordshire, WS15 2HS ENGLAND
John Rigby & Co., 500 Linne Rd. Ste. D, Paso Robles, CA 93446 / 805-227-4236; FAX: 805-227-4723
jrigby@calinet www.johnrigbyandco.com
John's Custom Leather, 523 S. Liberty St., Blairsville, PA 15717 / 724-459-6802; FAX: 724-459-5996
Johnson Wood Products, 34897 Crystal Road, Strawberry Point, IA 52076 / 563-933-6504
johnsonwoodproducts@yahoo.com
Johnston Bros. (See C&T Corp. TA Johnson Brothers)
Jonad Corp., 2091 Lakeland Ave., Lakewood, OH 44107 / 216-226-3161
Jonathan Arthur Ciener, Inc., 8700 Commerce St., Cape Canaveral, FL 32920 / 321-868-2200; FAX: 321-868-2201 www.22lrconversions.com
Jones Co., Dale, 680 Hoffman Draw, Kila, MT 59920 / 406-755-4684
Jones Custom Products, Neil A., 17217 Brookhouser Rd., Saegertown, PA 16433 / 814-763-2769; FAX: 814-763-4228
Jones, J. See: SSK INDUSTRIES
Jones Moulds, Paul, 4901 Telegraph Rd., Los Angeles, CA 90022 / 213-262-1510
JP Sales, Box 307, Anderson, TX 77830
JRP Custom Bullets, RR2 2233 Carlton Rd., Whitehall, NY 12887 / 518-282-0084 or 802-438-5548
JSL Ltd. (See U.S. Importer-Specialty Shooters)
Juenke, Vern, 25 Bitterbush Rd., Reno, NV 89523 / 702-345-0225
Jungkind, Reeves C., 509 E. Granite St., Llano, TX 78643-3055 / 325-247-1151
Jurras, L. See: L. E. JURRAS & ASSOC.
Justin Phillip Custom Bullets, P.O. Box 773, Ligonier, PA 15658 / 412-238-9671

K

K&M Industries, Inc., Box 66, 510 S. Main, Troy, ID 83871 / 208-835-2281; FAX: 208-835-5211
K&M Services, 5430 Salmon Run Rd., Dover, PA 17315 / 717-292-3175; FAX: 717-292-3175
K. Eversull Co., Inc., 1 Tracemont, Boyce, LA 71409 / 318-793-8728; FAX: 318-793-5483 bestguns@aol.com

MANUFACTURER'S DIRECTORY

- K.B.I. Inc., P.O. Box 6625, Harrisburg, PA 17112 / 717-540-8518; FAX: 717-540-8567
- K.L. Null Holsters Ltd., 161 School St. NW, Hill City Station, Resaca, GA 30735 / 706-625-5643; FAX: 706-625-9392 ken@knullholsters.com www.knullholsters.com
- Ka Pu Kapili, P.O. Box 745, Honokaa, HI 96727 / 808-776-1644; FAX: 808-776-1731
- KA-BAR Knives, 200 Homer St., Olean, NY 14760 / 800-282-0130; FAX: 716-790-7188 info@ka-bar.com www.ka-bar.com
- Kahles A. Swarovski Company, 2 Slater Rd., Cranston, RI 02920 / 401-946-2220; FAX: 401-946-2587
- Kahr Arms, PO Box 220, 630 Route 303, Blauvelt, NY 10913 / 845-353-7770; FAX: 845-353-7833 www.kahr.com
- Kailua Custom Guns Inc., 51 N. Dean Street, Coquille, OR 97423 / 541-396-5413 kailuacustom@aol.com www.kailuacustom.com
- Kalispel Case Line, P.O. Box 267, Cusick, WA 99119 / 509-445-1121
- Kamik Outdoor Footwear, 554 Montee de Liesse, Montreal, PQ H4T 1P1 CANADA / 514-341-3950; FAX: 514-341-1861
- Kane, Edward, P.O. Box 385, Ukiah, CA 95482 / 707-462-2937
- Kapro Mfg. Co. Inc. (See R.E.I.)
- Kasent Co., Inc., 39 Park Ave., Highland Mills, NY 10930 / 845-928-9595; FAX: 845-986-8038
- Kaswer Custom, Inc., 13 Surrey Drive, Brookfield, CT 06804 / 203-775-0564; FAX: 203-775-6872
- KDF, Inc., 2485 Hwy. 46 N., Seguin, TX 78155 / 830-379-8141; FAX: 830-379-5420
- KeeCo Impressions, Inc., 346 Wood Ave., North Brunswick, NJ 08902 / 800-468-0546
- Kehr, Roger, 2131 Agate Ct. SE, Lacey, WA 98503 / 360-491-0691
- Keith's Bullets, 942 Twisted Oak, Algonquin, IL 60102 / 708-658-3520
- Keith's Custom Gunstocks, Keith M. Heppler, 540 Banyan Circle, Walnut Creek, CA 94598 / 925-934-3509; FAX: 925-934-3143 kmheppler@hotmail.com
- Kelby, Inc., 7222 Dalton Fox Lake Rd., North Lawrence, OH 44666 / 216-683-4674; FAX: 216-683-7349
- Kelley's, P.O. Box 125, Woburn, MA 01801-0125 / 800-879-7273; FAX: 781-272-7077 kels@star.net www.kelsmilitary.com
- Kellogg's Professional Products, 325 Pearl St., Sandusky, OH 44870 / 419-625-6551; FAX: 419-625-6167 skwington@aol.com
- Kelly, Lance, 1723 Willow Oak Dr., Edgewater, FL 32132 / 904-423-4933
- Kel-Tec CNC Industries, Inc., PO Box 236009, Cocoa, FL 32923 / 407-631-0068; FAX: 407-631-1169
- Kern America, 2550 Hwy. 23, Wrenshall, MN 55797 / 218-384-3670 patrick@midwestshootingschool.com midwestshootingschool.com
- Ken Eyster Heritage Gunsmiths, Inc., 6441 Bisop Rd., Centerburg, OH 43011 / 740-625-6131; FAX: 740-625-7811
- Ken Starnes Gunmaker, 15940 SW Holly Hill Rd., Hillsboro, OR 97123-9033 / 503-628-0705; FAX: 503-443-2096 kstarnes@ksa.com
- Keng's Firearms Specialty, Inc./US Tactical Systems, 875 Wharton Dr., P.O. Box 44405, Atlanta, GA 30336-1405 / 404-691-7611; FAX: 404-505-8445
- Kennebec Journal, 274 Western Ave., Augusta, ME 04330 / 207-622-6288
- Kennedy Firearms, 10 N. Market St., Muncy, PA 17756 / 717-546-6695
- Kenneth W. Warren Engraver, P.O. Box 2842, Wenatchee, WA 98807 / 509-663-6123; FAX: 509-665-6123
- Ken's Kustom Kartridges, 331 Jacobs Rd., Hubbard, OH 44425 / 216-534-4595
- Kent Cartridge America, Inc., PO Box 849, 1000 Zigor Rd., Kearneysville, WV 25430
- Keowee Game Calls, 608 Hwy. 25 North, Travelers Rest, SC 29690 / 864-834-7204; FAX: 864-834-7831
- Kershaw Knives, 25300 SW Parkway Ave., Wilsonville, OR 97070 / 503-682-1966; or 800-325-2891; FAX: 503-682-7168
- Kesselring Gun Shop, 4024 Old Hwy. 99N, Burlington, WA 98233 / 360-724-3113; FAX: 360-724-7003 info@kesselrings.com www.kesselrings.com
- Ketchum, Jim (See Jim's Precision)
- Keystone Sporting Arms, Inc. (Crickett Rifles), 8920 State Route 405, Milton, PA 17847 / 800-742-2777; FAX: 570-742-1455
- Kickeezy I.N.C., Inc., 301 Industrial Dr., Carl Junction, MO 64834-8806 / 419-649-2100; FAX: 417-649-2200 kickey@ipa.net
- Kilham & Co., Main St., P.O. Box 37, Lyme, NH 03768 / 603-795-4112
- Kim Ahrends Custom Firearms, Inc., Box 203, Clarion, IA 50525 / 515-532-3449; FAX: 515-532-3926
- Kimar (See U.S. Importer-IAR, Inc.)
- Kimber of America, Inc., 1 Lawton St., Yonkers, NY 10705 / 800-880-2418; FAX: 914-964-9340
- King & Co., P.O. Box 1242, Bloomington, IL 61702 / 309-473-3964; FAX: 309-473-2161
- King's Gun Works, 1837 W. Glenoaks Blvd., Glendale, CA 91201 / 818-956-6010; FAX: 818-548-8606
- Kirkpatrick Leather Co., PO Box 677, Laredo, TX 78040 / 956-723-6631; FAX: 956-725-0672 mike@kirkpatrickleather.com www.kirkpatrickleather.com
- KK Air International (See Impact Case & Container Co.)
- Kleen-Bore, Inc., 16 Industrial Pkwy., Easthampton, MA 01027 / 413-527-0300; FAX: 413-527-2522 info@kleen-bore.com www.kleen-bore.com
- Kleinendorst, K. W., RR 1, Box 1500, Hop Bottom, PA 18824 / 717-289-4687
- Klingler Woodcarving, P.O. Box 141, Thistle Hill, Cabot, VT 05647 / 802-426-3811
- Knifeware, Inc., P.O. Box 3, Greenville, WV 24945 / 304-832-6878
- Knight Rifles, 21852 Hwy. J46, P.O. Box 130, Centerville, IA 52544 / 515-856-2626; FAX: 515-856-2628 www.knightrifles.com
- Knight Rifles (See Modern Muzzle Loading, Inc.)
- Knight's Mfg. Co., 7750 Ninth St. SW, Vero Beach, FL 32968 / 561-562-5697; FAX: 561-569-2955 civiliansales@knightarmco.com
- Knock on Wood Antiques, 355 Post Rd., Darien, CT 06820 / 203-655-9031
- Knoell, Doug, 9737 McCardle Way, Santee, CA 92071 / 619-449-5189
- Knopp, Gary, See: SUPER 6 LLC
- KOGOT, 410 College, Trinidad, CO 81082 / 719-846-9406; FAX: 719-846-9406
- Kolar, 1925 Roosevelt Ave., Racine, WI 53406 / 414-554-0800; FAX: 414-554-9093
- Kolpin Outdoors, Inc., P.O. Box 107, 205 Depot St., Fox Lake, WI 53933 / 414-928-3118; FAX: 414-928-3687 cdutton@kolpin.com www.kolpin.com
- Korth Germany GmbH, Robert Bosch Strasse, 11, D-23909, 23909 Ratzburg, GERMANY / 4541-840363; FAX: 4541-84 05 35 info@korthwaffen.de www.korthwaffen.com
- Korth USA, 437R Chandler St., Tewksbury, MA 01876 / 978-851-8656; FAX: 978-851-9462 info@korthusa.com www.korthusa.com
- Korzinek Riflesmith, J., RD 2 Box 73D, Canton, PA 17724 / 717-673-8512
- Koval Knives, 5819 Zarley St., Suite A, New Albany, OH 43054 / 614-855-0777; FAX: 614-855-0945 koval@kovalknives.com www.kovalknives.com
- Kowa Optimed, Inc., 20001 S. Vermont Ave., Torrance, CA 90502 / 310-327-1913; FAX: 310-327-4177 scopelkova@kova.com www.kowascope.com
- Kramer Designs, P.O. Box 129, Glancy, MT 59634 / 406-933-8658; FAX: 406-933-8658
- Kramer Handgun Leather, P.O. Box 112154, Tacoma, WA 98411 / 800-510-2666; FAX: 253-564-1214 www.kramerleather.com
- Krause Publications, Inc., 700 E. State St., Iola, WI 54990 / 715-445-2214; FAX: 715-445-4087
- Krico Deutschland GmbH, Nurnbergerstrasse 6, D-90602, Pyrbaum, GERMANY / 09180-2780; FAX: 09180-2661
- Krieger Barrels, Inc., 2024 Mayfield Rd., Richfield, WI 53076 / 262-628-8558; FAX: 262-628-8748
- Krieghoff Gun Co., H., Boschstrasse 22, D-89079 Elm, GERMANY / 731-4018270
- Krieghoff International, Inc., 7528 Easton Rd., Ottsville, PA 18942 / 610-847-5173; FAX: 610-847-8691
- Kukowski, Ed. See: ED'S GUN HOUSE
- Kulis Freeze Dry Taxidermy, 725 Broadway Ave., Bedford, OH 44146 / 216-232-8352; FAX: 216-232-7305 jkulis@kastaway.com kastaway.com
- KVH Industries, Inc., 110 Enterprise Center, Middletown, RI 02842 / 401-847-3327; FAX: 401-849-0045
- Kwik-Site Co., 5555 Treadwell St., Wayne, MI 48184 / 734-326-1500; FAX: 734-326-4120 kwiksiteco@aol.com
- L. Bengtson Arms Co., 6345-B E. Akron St., Mesa, AZ 85205 / 602-981-6375
- L. E. Jurras & Assoc., L. E. Jurras, P.O. Box 680, Washington, IN 47501 / 812-254-6170; FAX: 812-254-6170 jurasgun@rtcc.net
- L.A.R. Mfg., Inc., 4133 W. Farm Rd., West Jordan, UT 84088 / 801-280-3505; FAX: 801-280-1972
- L.B.T., Judy Smith, HCR 62, Box 145, Moyie Springs, ID 83845 / 208-267-3588
- L.E. Wilson, Inc., Box 324, 404 Pioneer Ave., Cashmere, WA 98815 / 509-782-1328; FAX: 509-782-7200
- L.L. Bean, Inc., Freeport, ME 04032 / 207-865-4761; FAX: 207-552-2802
- L.P.A. Inc., Via Alfieri 26, Gardone V.T., Brescia, ITALY / 30-891-14-81; FAX: 30-891-09-51
- L.R. Clift Mfg., 3821 Hammonton Rd., Marysville, CA 95901 / 916-755-3390; FAX: 916-755-3393
- L.W. Seecamp Co., Inc., PO Box 255, New Haven, CT 06502 / 203-877-3429; FAX: 203-877-3429 seecamp@optonline.net
- La Clinique du .45, 1432 Rougemont, Chambly, PQ J3L 2L8 CANADA / 514-658-1144
- Labanu, Inc., 2201-F Fifth Ave., Ronkonkoma, NY 11779 / 516-467-6197; FAX: 516-981-4112
- LaBoone, Pat. See: THE MIDWEST SHOOTING SCHOOL
- LaBounty Precision Reboring, Inc, 7968 Silver Lake Rd., PO Box 186, Maple Falls, WA 98266 / 360-599-2047; FAX: 360-599-3018
- LaCrosse Footwear, Inc., 18550 NE Riverside Parkway, Portland, OR 97230 / 503-766-1010; or 800-323-2668; FAX: 503-766-1015
- LaFrance Specialties, P.O. Box 87933, San Diego, CA 92138 / 619-293-3370; FAX: 619-293-0819 timlafrance@att.net lafrancespecialties.com
- Lake Center Marina, PO Box 670, St. Charles, MO 63302 / 314-946-7500
- Lakefield Arms Ltd. (See Savage Arms, Inc.)
- Lakewood Products LLC, 275 June St., Berlin, WI 54923 / 800-872-8458; FAX: 920-361-7719 lakewood@centurytel.net www.lakewoodproducts.com
- Lamboy, Stephen. See: ITHACA CLASSIC DOUBLES
- Lampert, Ron, Rt. 1, 44857 Schoolcraft Trl., Guthrie, MN 56461 / 218-854-7345
- Lamson & Goodnow Mfg. Co., 45 Conway St., Shelburne Falls, MA 03170 / 413-625-6564; or 800-872-6564; FAX: 413-625-9816 www.lamsonsharp.com
- Lansky Levine, Arthur. See: LANSKY SHARPENERS
- Lansky Sharpeners, Arthur Lansky Levine, PO Box 50830, Las Vegas, NV 89016 / 702-361-7511; FAX: 702-896-9511
- LaPrade, PO Box 250, Ewing, VA 24248 / 423-733-2615
- Lapua Ltd., P.O. Box 5, Lapua, FINLAND / 6-310111; FAX: 6-4388991
- LaRocca Gun Works, 51 Union Place, Worcester, MA 01608 / 508-754-2887; FAX: 508-754-2887 www.larocagunworks.com
- Larry Lyons Gunworks, 110 Hamilton St., Dowagiac, MI 49047 / 616-782-9478
- Laser Devices, Inc., 2 Harris Ct. A-4, Monterey, CA 93940 / 831-373-0701; FAX: 831-373-0903 sales@laserdevices.com www.laserdevices.com
- Laseraim Technologies, Inc., P.O. Box 3548, Little Rock, AR 72203 / 501-375-2227
- Laserlyte, 2201 Amapola Ct., Torrance, CA 90501
- LaserMax, Inc., 3495 Winton Place, Bldg. B, Rochester, NY 14623-2807 / 800-527-3703; FAX: 716-272-5427 customerservice@lasermax-inc.com www.lasermax-inc.com
- Lassen Community College, Gunsmithing Dept., P.O. Box 3000, Hwy. 139, Susanville, CA 96130 / 916-251-8800; FAX: 916-251-8838
- Lathrop's, Inc., 5146 E. Pima, Tucson, AZ 85712 / 520-881-0266; or 800-875-4867; FAX: 520-322-5704
- Loughridge, William R. (See Cylinder & Slide Inc.)
- Laurel Mountain Forge, P.O. Box 52, Crown Point, IN 46308 / 219-548-2950; FAX: 219-548-2950
- Laurona Arms Eibar, S.A.L., Avenida de Otaola 25, P.O. Box 260, Eibar 20600, SPAIN / 34-43-700600; FAX: 34-43-700616
- Lawrence Brand Shot (See Precision Reloading)
- Lawrence Leather Co., P.O. Box 1479, Lillington, NC 27546 / 910-893-2071; FAX: 910-893-4742
- Lawson Co., Harry, 3328 N Richey Blvd., Tucson, AZ 85716 / 520-326-1117; FAX: 520-326-1117
- Lawson, John. See: THE SIGHT SHOP
- Lawson, John G. (See Sight Shop, The)
- Lazzeroni Arms Co., PO Box 26696, Tucson, AZ 85726 / 888-492-7247; FAX: 520-624-4250

L

MANUFACTURER'S DIRECTORY

- Le Clear Industries (See E-Z-Way Systems), P.O. Box 4310, Newark, OH 43058-4310 / 614-345-6645; FAX: 614-345-6600
- Leapers, Inc., 7675 Five Mile Rd., Northville, MI 48167 / 248-486-1231; FAX: 248-486-1430
- Leatherman Tool Group, Inc., 12106 NE Ainsworth Cir., P.O. Box 20595, Portland, OR 97294 / 503-253-7826; FAX: 503-253-7830
- Lebeau-Courally, Rue St. Gilles, 386 4000, Liege, BELGIUM / 042-52-48-43; FAX: 32-4-252-2008
info@lebeau-courally.com www.lebeau-courally.com
- Leckie Professional Gunsmithing, 546 Quarry Rd., Ottsville, PA 18942 / 215-847-8594
- Ledbetter Airguns, Riley, 1804 E Sprague St, Winston Salem, NC 27107-3521 / 919-784-0676
- Lee Precision, Inc., 4275 Hwy. U, Hartford, WI 53027 / 262-673-3075; FAX: 262-673-9273
info@leeprecision.com www.leeprecision.com
- Lee Supplies, Mark, 9901 France Ct., Lakeville, MN 55044 / 612-461-2114
- LeFever Arms Co., Inc., 6234 Stokes, Lee Center Rd., Lee Center, NY 13363 / 315-337-6722; FAX: 315-337-1543
- Legacy Sports International, 206 S. Union St., Alexandria, VA 22314 / 703-548-4837 www.legacysports.com
- Leibowitz, Leonard, 1205 Murrayhill Ave., Pittsburgh, PA 15217 / 412-361-5455
- Leica USA, Inc., 156 Ludlow Ave., Northvale, NJ 07647 / 201-767-7500; FAX: 201-767-8666
- LEM Gun Specialties, Inc. The Lewis Lead Remover, P.O. Box 2855, Peachtree City, GA 30269-2024 / 770-487-0556
- Leonard Day, 6 Linseed Rd Box 1, West Hatfield, MA 01088-7505 / 413-337-8369
- Les Baer Custom, Inc., 29601 34th Ave., Hillside, IL 61257 / 309-658-2716; FAX: 309-658-2610 www.lesbaer.com
- LesMerises, Felix. See: ROCKY MOUNTAIN ARMOURY
- Lethal Force Institute (See Police Bookshelf), PO Box 122, Concord, NH 03301 / 603-224-6814; FAX: 603-226-3554
- Left Custom Grips, 672 Currier Rd., Hopkinton, NH 03229-2652 / 800-421-5388; FAX: 603-226-4580
info@leftgrips.com www.leftgrips.com
- Leupold & Stevens, Inc., 14400 NW Greenbrier Pky., Beaverton, OR 97006 / 503-646-9171; FAX: 503-526-1455
- Lever Arms Service Ltd., 2131 Burrard St., Vancouver, BC V6J 3H7 CANADA / 604-736-2711; FAX: 604-738-3503
leverarms@leverarms.com www.leverarms.com
- Lew Horton Dist. Co., Inc., 15 Walkup Dr., Westboro, MA 01581 / 508-366-7400; FAX: 508-366-5332
- Liberty Metals, 2233 East 16th St., Los Angeles, CA 90021 / 213-581-9171; FAX: 213-581-9351
libertymfgsolder@hotmail.com
- Liberty Safe, 999 W. Utah Ave., Payson, UT 84651-1744 / 800-247-5625; FAX: 801-489-6409
- Liberty Shooting Supplies, P.O. Box 357, Hillsboro, OR 97123 / 503-640-5518; FAX: 503-640-5518
info@libertyshootingssupplies.com
www.libertyshootingssupplies.com
- Lightning Performance Innovations, Inc., RD1 Box 555, Mohawk, NY 13407 / 315-866-8819; FAX: 315-867-5701
- Lilja Precision Rifle Barrels, P.O. Box 372, Plains, MT 59859 / 406-826-3084; FAX: 406-826-3083
lilja@riflebarrels.com www.riflebarrels.com
- Lincoln, Dean, Box 1886, Farmington, NM 87401
- Linder Solingen Knives, 4401 Sentry Dr. #B, Tucker, GA 30084 / 770-939-6915; FAX: 770-939-6738
- Lindsay Engraving & Tools, Steve Lindsay, 3714 W. Cedar Hills, Kearney, NE 68845 / 308-236-7885
steve@lindsayengraving.com www.handgravers.com
- Lindsay, Steve. See: LINDSAY ENGRAVING & TOOLS
- Lindsley Arms Cartridge Co., P.O. Box 757, 20 College Hill Rd., Henniker, NH 03242 / 603-428-3127
- Linebaugh Custom Sixguns, P.O. Box 455, Cody, WY 82414 / 307-645-3332 www.sixgunner.com
- Lion Country Supply, P.O. Box 480, Port Matilda, PA 16870
- List Precision Engineering, Unit 1 Ingle Works, 13 River Road, Barking, ENGLAND / 011-081-594-1686
- Lithi Bee Bullet Lube, 1728 Carr Rd., Muskegon, MI 49442 / 616-788-4479 lithibee@att.net
- "Little John's" Antique Arms, 1740 W. Laveta, Orange, CA 92668
- Little Trees Ramble (See Scott Pilkington)
- Littler Sales Co., 20815 W. Chicago, Detroit, MI 48228 / 313-273-6888; FAX: 313-273-1099 littlerptg@aol.com
- Littleton, J. F., 275 Pinedale Ave., Oroville, CA 95966 / 916-533-6084
- Ljutic Industries, Inc., 732 N. 16th Ave., Suite 22, Yakima, WA 98902 / 509-248-0476; FAX: 509-576-8233
ljuticgun@earthlink.net www.ljuticgun.com
- Llama Gabilondo Y Cia, Apartado 290, E-01080, Victoria, SPAIN
- Loch Leven Industries/Convert-A-Pell, P.O. Box 2751, Santa Rosa, CA 95405 / 707-573-8735; FAX: 707-573-0369
- Lock's Philadelphia Gun Exchange, 6700 Rowland Ave., Philadelphia, PA 19149 / 215-332-6225; FAX: 215-332-4800 locks.gunshop@verizon.net
- Lodewick, Walter H., 2816 NE Halsey St., Portland, OR 97232 / 503-284-2554 wlodewick@aol.com
- Lodgewood Mfg., P.O. Box 611, Whitewater, WI 53190 / 262-473-5444; FAX: 262-473-6448
lodgewd@idcnet.com www.lodgewood.com
- Log Cabin Sport Shop, 8010 Lafayette Rd., Lodi, OH 44254 / 330-948-1082; FAX: 330-948-4307
logcabin@logcabinshop.com www.logcabinshop.com
- Logan, Harry M., Box 745, Honokaa, HI 96727 / 808-776-1644
- Lodgewood Mfg., P.O. Box 611, Whitewater, WI 53190 / 262-473-5444; FAX: 262-473-6448
lodgewd@idcnet.com www.lodgewood.com
- Lohman Mfg. Co., Inc., 4500 Doniphan Dr., P.O. Box 220, Neosho, MO 64850 / 417-451-4438; FAX: 417-451-2576
- Lomont Precision Bullets, 278 Sandy Creek Rd., Salmon, ID 83467 / 208-756-6819; FAX: 208-756-6824
www.kiomont.com
- London Guns Ltd., Box 3750, Santa Barbara, CA 93130 / 805-683-4141; FAX: 805-683-1712
- Lone Star Gunleather, 1301 Brushy Bend Dr., Round Rock, TX 78681 / 512-255-1805
- Lone Star Rifle Company, 11231 Rose Road, Conroe, TX 77303 / 936-856-3363; FAX: 936-856-3363
dave@lonestar.com
- Long, George F., 1500 Rogue River Hwy., Ste. F, Grants Pass, OR 97527 / 541-476-7552
- Lortone Inc., 2856 NW Market St., Seattle, WA 98107
- Lothar Walther Precision Tool Inc., 3425 Hutchinson Rd., Cumming, GA 30040 / 770-889-9998; FAX: 770-889-4919 lotharwalther@mindspring.com
www.lothar-walther.com
- LPS Laboratories, Inc., 4647 Hugh Howell Rd., P.O. Box 3050, Tucker, GA 30084 / 404-934-7800
- Lucas, Edward E., 32 Garfield Ave., East Brunswick, NJ 08816 / 201-251-5526
- Lupton, Keith. See: PAWLING MOUNTAIN CLUB
- Lyman Instant Targets, Inc. (See Lyman Products)
- Lyman Products Corp., 475 Smith Street, Middletown, CT 06457-1541 / 800-423-9704; FAX: 860-632-1699
lymansales@cshore.com www.lymanproducts.com

M

- M.H. Canjar Co., 6510 Raleigh St., Arvada, CO 80003 / 303-295-2638; FAX: 303-295-2638
- MA Systems, Inc., P.O. Box 894, Pryor, OK 74362-0894 / 918-824-3705; FAX: 918-824-3710
- Mac-1 Airgun Distributors, 13974 Van Ness Ave., Gardena, CA 90249-2900 / 310-327-3581; FAX: 310-327-0238
mac1@macclairgun.com www.mac1airgun.com
- Madis Books, 2453 West Five Mile Pkwy., Dallas, TX 75233 / 214-330-7168
- Madis, George. See: GEORGE MADIS WINCHESTER CONSULTANTS
- MAG Instrument, Inc., 1635 S. Sacramento Ave., Ontario, CA 91761 / 909-947-1006; FAX: 909-947-3116
- Magma Engineering Co., P.O. Box 161, 20955 E. Ocotillo Rd., Queen Creek, AZ 85242 / 602-987-9008; FAX: 602-987-0148
- Mag-Na-Port International, Inc., 41302 Executive Dr., Harrison Twp., MI 48045-1306 / 586-469-6727; FAX: 586-469-0425 email@magnaport.com
www.magnaport.com
- Magnolia Sports, Inc., 211 W. Main, Magnolia, AR 71753 / 501-234-8410; or 800-530-7816; FAX: 501-234-8117
- Magnum Power Products, Inc., P.O. Box 17768, Fountain Hills, AZ 85268
- Magnum Research, Inc., 7110 University Ave. NE, Minneapolis, MN 55432 / 800-772-6168 or 763-574-1868; FAX: 763-574-0109
info@magnumresearch.com
- Magnus Bullets, P.O. Box 239, Toney, AL 35773 / 256-420-8359; FAX: 256-420-8360
- Mag-Pack Corp., P.O. Box 846, Chesterland, OH 44026 / 440-285-9480 magpack@hotmail.com
- MagSafe Ammo Co., 4700 S US Highway 17/92, Casselberry, FL 32707-3814 / 407-834-9966; FAX: 407-834-8185
www.magsafeonline.com
- Magtech Ammunition Co. Inc., 6845 20th Ave. S., Ste. 120, Centerville, MN 55038
- Mahony, Philip Bruce, 67 White Hollow Rd., Lime Rock, CT 06039-2418 / 203-435-9341
filbalony-redbeard@snet.net
- Mahovsky's Metalife, R.D. 1, Box 149a Eureka Road, Grand Valley, PA 16420 / 814-436-7747
- Maine Custom Bullets, RFD 1, Box 1755, Brooks, ME 04921
- Makinon, Nicholas, RR 3, Komoka, ON N0L 1R0 CANADA / 519-471-5462
- Mallardtone Game Calls, 10406 96th St., Court West, Taylor Ridge, IL 61284 / 309-798-2481; FAX: 309-798-2501
- Mandall Shooting Supplies Inc., 3616 N. Scottsdale Rd., Scottsdale, AZ 85251 / 480-945-2553; FAX: 480-949-0734
- Marble Arms (See CRR, Inc./Marble's Inc.)
- Marchmon Bullets, 6502 Riverdale Rd., Whitmore Lake, MI 48189
- Marent, Rudolf. See: HAMMERLI SERVICE-PRECISION MAC
- Mark Lee Supplies, 9901 France Ct., Lakeville, MN 55044 / 952-461-2114; FAX: 952-461-2194
marklee55044@usfamily.net
- Markell, Inc., 422 Larkfield Center 235, Santa Rosa, CA 95403 / 707-573-0792; FAX: 707-573-9867
- Markesbery Muzzle Loaders, Inc., 7785 Foundation Dr., Ste. 6, Florence, KY 41042 / 606-342-5553 or 606-342-2380
- Marksmen Products, 5482 Argosy Dr., Huntington Beach, CA 92649 / 714-898-7535; or 800-822-8005; FAX: 714-891-0782
- Marlin Firearms Co., 100 Kenna Dr., North Haven, CT 06473 / 203-239-5621; FAX: 203-234-7991
www.marlinfirearms.com
- MarMik, Inc., 2116 S. Woodland Ave., Michigan City, IN 46360 / 219-872-7231; FAX: 219-872-7231
- Marocchi F.lli S.p.A., Via Galileo Galilei 8, I-25068 Zanano, ITALY
- Marquart Precision Co., P.O. Box 1740, Prescott, AZ 86302 / 520-445-5646
- Marsh, Mike, Croft Cottage, Main St., Derbyshire, DE4 2BY ENGLAND / 01629 650 669
- Marshall Enterprises, 792 Canyon Rd., Redwood City, CA 94062
- Marshall Fish Mfg. Gunsmith Sptg. Co., Rd. Box 2439, Westport, NY 12993 / 518-962-4897; FAX: 518-962-4897
- Martin B. Retting Inc., 11029 Washington, Culver City, CA 90232 / 213-837-2412
- Martini & Hagn, 1264 Jimsmith Lake Rd, Cranbrook, BC V1C 6V6 CANADA / 250-417-2926; FAX: 250-417-2928
- Martin's Gun Shop, 937 S. Sheridan Blvd., Lakewood, CO 80226 / 303-922-2184
- Martz, John V., 8060 Lakeview Lane, Lincoln, CA 95648 FAX: 916-645-3815
- Marvel, Alan, 3922 Madonna Rd., Jarrettsville, MD 21084 / 301-557-6545
- Marx, Harry (See U.S. Importer for FERLIB)
- Maryland Paintball Supply, 8507 Harford Rd., Parkville, MD 21234 / 410-882-5607
- MAST Technology, Inc., 14555 US Hwy. 95 S., P.O. Box 60969, Boulder City, NV 89006 / 702-293-6969; FAX: 702-293-7255 info@masstechnology.com
www.bellammo.com
- Master Lock Co., 2600 N. 32nd St., Milwaukee, WI 53245 / 414-444-2800
- Match Prep-Doyle Gracey, P.O. Box 155, Tehachapi, CA 93581 / 661-822-5383; FAX: 661-823-8680
- Mathews Gun Shop & Gunsmithing, Inc., 10224 S. Paramount Blvd., Downey, CA 90241 / 562-928-2129; FAX: 562-928-8629
- Mathews Cutlery, 4401 Sentry Dr. #B, Tucker, GA 30084 / 770-939-6915
- Mauser Werke Oberndorf Waffensysteme GmbH, Postfach 1349, 78722, Oberndorf/N., GERMANY
- Maverick Arms, Inc., 7 Grasso Ave., P.O. Box 497, North Haven, CT 06473 / 203-230-5300; FAX: 203-230-5420
- Maxi-Mount Inc., P.O. Box 291, Willoughby Hills, OH 44096-0291 / 440-944-9456; FAX: 440-944-9456
maximount454@yahoo.com
- Mayville Engineering Co. (See MEC, Inc.)
- Mazur Restoration, Pete, 13083 Drummer Way, Grass Valley, CA 95949 / 530-268-2412
- McBros Rifle Co., P.O. Box 86549, Phoenix, AZ 85080 / 602-582-3713; FAX: 602-581-3825
- McCament, Jay. See: JAY MCCAMENT CUSTOM GUNMAKER
- McCann, Tom, 14 Walton Dr., New Hope, PA 18938 / 215-862-2728

MANUFACTURER'S DIRECTORY

- McCann Industries, P.O. Box 641, Spanaway, WA 98387 / 253-537-6919; FAX: 253-537-6919
mccann.machine@worldnet.att.net
www.mccannindustries.com
- McCluskey Precision Rifles, 10502 14th Ave. NW, Seattle, WA 98177 / 206-781-2776
- McCombs, Leo, 1862 White Cemetery Rd., Patriot, OH 45658 / 740-256-1714
- McDonald, Dennis, 8359 Brady St., Peosta, IA 52068 / 319-556-7940
- McFarland, Stan, 2221 Idella Ct., Grand Junction, CO 81505 / 970-243-4704
- McGhee, Larry. See: B.C. OUTDOORS
- McGowen Rifle Barrels, 5961 Spruce Lane, St. Anne, IL 60964 / 815-937-9816; FAX: 815-937-4024
- Mchalik, Gary. See: ROSSI FIREARMS
- McKenzie, Lynton, 6940 N. Alvernon Way, Tucson, AZ 85718 / 520-299-5090
- McMillan Fiberglass Stocks, Inc., 1638 W. Knudsen Dr. #102, Phoenix, AZ 85027 / 623-582-9635; FAX: 623-581-3825
mfsinc@mcmfamily.com www.mcmfamily.com
- McMillan Optical Gunsight Co., 28638 N. 42nd St., Cave Creek, AZ 85331 / 602-585-7868; FAX: 602-585-7872
- McMillan Rifle Barrels, P.O. Box 3427, Bryan, TX 77805 / 409-690-3456; FAX: 409-690-0156
- McMurdo, Lynn (See Specialty Gunsmithing), PO Box 404, Afton, WY 83110 / 307-886-5535
- MCS, Inc., 166 Pocono Rd., Brookfield, CT 06804-2023 / 203-775-1013; FAX: 203-775-9462
- McWelco Products, 6730 Santa Fe Ave., Hesperia, CA 92345 / 619-244-8876; FAX: 619-244-9398
products@mcwelco.com www.mawelco.com
- MDS, P.O. Box 1441, Brandon, FL 33509-1441 / 813-653-1180; FAX: 813-684-5953
- Measurement Group Inc., Box 27777, Raleigh, NC 27611
Measures, Leon. See: SHOOT WHERE YOU LOOK
- MEC, Inc., 715 South St., Mayville, WI 53050 / 414-387-4500; FAX: 414-387-5802
reloaders@mayvl.com www.mayvl.com
- MEC-Gar S.R.L., Via Madonna 64, Gardone V.T. Brescia, ITALY / 39-30-8912687; FAX: 39-30-8910065
- MEC-Gar U.S.A., Inc., Hurley Farms Industr. Park, 115, Hurley Road 6G, Oxford, CT 06478 / 203-262-1525; FAX: 203-262-1719
mecgar@aol.com www.mec-gar.com
- Mech-Tech Systems, Inc., 1602 Foothill Rd., Kalispell, MT 59901 / 406-755-8055
- Meister Bullets (See Gander Mountain)
- Mele, Frank, 201 S. Wellow Ave., Cookeville, TN 38501 / 615-526-4860
- Menck, Gunsmith Inc., T.W., 5703 S 77th St., Ralston, NE 68127
- Mendez, John A., P.O. Box 620984, Orlando, FL 32862 / 407-344-2791
- Men-Metallwerk Elisenhuette GmbH, P.O. Box 1263, Nassau/Lahn, D-56372 GERMANY / 2604-7819
- Meprolight (See Hesco-Meprolight)
- Mercur Custom Guns, 216 S. Whitewater Ave., Jefferson, WI 53549 / 920-674-3839
- Merit Corp., PO Box 9044, Schenectady, NY 12309 / 518-346-1420 sales@meritorcorporation.com
www.meritorcorporation.com
- Merkel, Schutzzenstrasse 26, D-98527 Suhl, Suhl, GERMANY
FAX: 011-49-3681-854-203 www.merkel-waffen.de
- Merkuria Ltd., Argentinska 38, 17005, Praha 7, CZECH REPUBLIC / 422-875117; FAX: 422-809152
- Metal Merchants, PO Box 186, Walled Lake, MI 48390-0186
- Metallife Industries (See Mahovsky's Metallife)
- Michael's Antiques, Box 591, Waldoboro, ME 04572
- Michaels Of Oregon, Co., P.O. Box 1690, Oregon City, OR 97045 www.michaels-oregon.com
- Micro Sight Co., 242 Harbor Blvd., Belmont, CA 94002 / 415-591-0769; FAX: 415-591-7531
- Microfusion Alfa S.A., Paseo San Andres N8, P.O. Box 271, Eibar, 20600 SPAIN / 34-43-11-89-16; FAX: 34-43-11-40-38
- Mid-America Recreation, Inc., 1328 5th Ave., Moline, IL 61265 / 309-764-5089; FAX: 309-764-5089
fmlicusguns@aol.com www.midamericarecreation.com
- Middlebrooks Custom Shop, 7366 Colonial Trail East, Surry, VA 23883 / 757-357-0881; FAX: 757-365-0442
- Midway Arms, Inc., 5875 W. Van Horn Tavern Rd., Columbia, MO 65203 / 800-243-3220; or 573-445-6363; FAX: 573-446-1018
- Midwest Gun Sport, 1108 Herbert Dr., Zebulon, NC 27597 / 919-269-5570
- Midwest Sport Distributors, Box 129, Fayette, MO 65248
- Mike Davis Products, 643 Loop Dr., Moses Lake, WA 98837 / 509-765-6178; or 509-766-7281
- Mike Yee Custom Stocking, 29927 56 Pl. S., Auburn, WA 98001 / 253-839-3991
- Military Armament Corp., P.O. Box 120, Mt. Zion Rd., Lingleville, TX 76461 / 817-965-3253
- Millennium Designed Muzzleloaders, PO Box 536, Routes 11 & 25, Limington, ME 04049 / 207-637-2316
- Miller Arms, Inc., P.O. Box 260 Purl St., St. Onge, SD 57779 / 605-642-5160; FAX: 605-642-5160
- Miller Custom, 210 E. Julia, Clinton, IL 61727 / 217-935-9362
- Miller Single Trigger Mfg. Co., 6680 Rt. 5-20, P.O. Box 471, Bloomfield, NY 14469 / 585-657-6338
- Millett Sights, 7275 Murdy Circle, Adm. Office, Huntington Beach, CA 92647 / 714-842-5575 or 800-645-5388; FAX: 714-843-5707
- Mills Jr., Hugh B., 3615 Canterbury Rd., New Bern, NC 28560 / 919-637-4631
- Milstor Corp., 80-975 Indio Blvd. C-7, Indio, CA 92201 / 760-775-9998; FAX: 760-775-5229 milstor@webtv.net
- Minute Man High Tech Industries, 10611 Canyon Rd. E., Suite 151, Puyallup, WA 98373 / 800-233-2734
- Mirador Optical Corp., P.O. Box 11614, Marina Del Rey, CA 90295-7614 / 310-821-5587; FAX: 310-305-0386
- Mitchell, Jack, c/o Geoff Gaebe, Addieville East Farm, 200 Pheasant Dr., Mapleville, RI 02839 / 401-568-3185
- Mitchell Bullets, R.F., 430 Walnut St., Westernport, MD 21562
- Mitchell Mfg. Corp., P.O. Box 9295, Fountain Valley, CA 92728 / 714-444-2220
- Mitchell Optics, Inc., 2072 CR 1100 N, Sidney, IL 61877 / 217-688-2219; or 217-621-3018; FAX: 217-688-2505
mitche1@attglobal.net
- Mitchell's Accuracy Shop, 68 Greenridge Dr., Stafford, VA 22554 / 703-659-0165
- Mitchell's Mauser, P.O. Box 9295, Fountain Valley, CA 92728 / 714-979-7663; FAX: 714-899-3660
- MI-TE Bullets, 1396 Ave. K, Ellsworth, KS 67439 / 785-472-4575; FAX: 785-472-5579
- Mittleman, William, P.O. Box 65, Etna, CA 96027
- Mixson Corp., 7635 W. 28th Ave., Hialeah, FL 33016 / 305-821-5190; or 800-327-0078; FAX: 305-558-9318
- MJK Gunsmithing, Inc., 417 N. Huber Ct., E. Wenatchee, WA 98802 / 509-884-7683
- MKS Supply, Inc. (See Hi-Point Firearms)
- MMC, 5050 E. Belknap St., Haltom City, TX 76117 / 817-831-9557; FAX: 817-834-5508
- MOA Corporation, 2451 Old Camden Pike, Eaton, OH 45320 / 937-456-3669 www.moaguns
- Modern Gun Repair School, PO Box 846, Saint Albans, VT 05478 / 802-524-2223; FAX: 802-524-2053
jfw@dlilearn.com www.mgsinfoadlilearn.com
- Modern Muzzleloading, Inc., P.O. Box 130, Centerville, IA 52544 / 515-856-2626
- Moeller, Steve, 1213 4th St., Fulton, IL 61252 / 815-589-2300
- Mogul Co./Life Jacket, 500 N. Kimball Rd., Ste. 109, South Lake, TX 76092
- Molin Industries, Tru-Nord Division, P.O. Box 365, 204 North 9th St., Brainerd, MN 56401 / 218-829-2870
- Monell Custom Guns, 228 Red Mills Rd., Pine Bush, NY 12566 / 914-744-3021
- MoneyMaker Guncraft Corp., 1420 Military Ave., Omaha, NE 68131 / 402-556-0226
- Montana Armory, Inc. (See C. Sharps Arms Co. Inc.), 100 Centennial Dr., P.O. Box 885, Big Timber, MT 59011 / 406-932-4353; FAX: 406-932-4443
- Montana Outfitters, Lewis E. Yearout, 308 Riverview Dr. E., Great Falls, MT 59404 / 406-761-0859; or 406-727-4560
- Montana Precision Swaging, P.O. Box 4746, Butte, MT 59702 / 406-494-0600; FAX: 406-494-0600
- Montana Rifleman, Inc., 2593A Hwy. 2 East, Kalispell, MT 59901 / 406-755-4867
- Montana Vintage Arms, 2354 Bear Canyon Rd., Bozeman, MT 59715
- Morini (See U.S. Importers-Mandall Shooting Supply)
- Morrison Custom Rifles, J. W., 4015 W Sharon, Phoenix, AZ 85029 / 602-978-3754
- Morrison Precision, 6719 Calle Mango, Hereford, AZ 85615 / 520-378-6207 morprec@212.com
- Morrow, Bud, 11 Hillside Lane, Sheridan, WY 82801-9729 / 307-674-8360
- Morton Booth Co., P.O. Box 123, Joplin, MO 64802 / 417-673-1962; FAX: 417-673-3642
- Mo's Competitor Supplies (See MCS, Inc.)
- Moss Double Tone, Inc., P.O. Box 1112, 2101 S. Kentucky, Sedalia, MO 65301 / 816-827-0827
- Mountain Plains Industries, 3720 Outer Place, Lynchburg, VA 24503 / 800-687-3000; FAX: 434-845-6594
mpitargets@stone.net
- Mountain State Muzzleloading Supplies, Inc., Box 154-1, Rt. 2, Williamstown, WV 26187 / 304-375-7842; FAX: 304-375-3737
- Mowrey Gun Works, P.O. Box 246, Waldron, IN 46182 / 317-525-6181; FAX: 317-525-9595
- Mowrey's Guns & Gunsmithing, 119 Fredericks St., Canajoharie, NY 13317 / 518-673-3483
- MPC, P.O. Box 450, McMinnville, TN 37110-0450 / 615-473-5513; FAX: 615-473-5516
thebox@blomand.net www.mpc-thebox.com
- MPI Stocks, PO Box 83266, Portland, OR 97283 / 503-226-1215; FAX: 503-226-2661
- MSR Targets, P.O. Box 1042, West Covina, CA 91793 / 818-331-7840
- MTM Molded Products Co., Inc., 3370 Obco Ct., Dayton, OH 45414 / 937-890-7461; FAX: 937-890-1747
- Mulberry House Publishing, P.O. Box 2180, Apache Junction, AZ 85217 / 888-738-1567; FAX: 480-671-1015
- Mulhern, Rick, Rt. 5, Box 152, Rayville, LA 71269 / 318-728-2688
- Mullins Ammunition, Rt. 2 Box 304N, Clintwood, VA 24228 / 276-926-6772; FAX: 276-926-6092
mammo@extremeshockusa.com
www.extremeshockusa
- Mullis Guncraft, 3523 Lawyers Road E., Monroe, NC 28110 / 704-283-6683
- Multiplex International, 26 S. Main St., Concord, NH 03301
FAX: 603-796-2223
- Multipropulseurs, La Bertrandiere, 42580, FRANCE / 77 74 01 30; FAX: 77 93 19 34
- Mundy, Thomas A., 69 Robbins Road, Somerville, NJ 08876 / 201-722-2199
- Murmur Corp., 2823 N. Westmoreland Ave., Dallas, TX 75222 / 214-630-5400
- Murphy, R.R. Murphy Co., Inc. See: MURPHY, R.R. CO., INC.
- Murphy, R.R. Co., Inc., R.R. Murphy Co., Inc. Murphy, P.O. Box 102, Ripley, TN 38063 / 901-635-4003; FAX: 901-635-2320
- Murray State College, 1 Murray Campus St., Tishomingo, OK 73460 / 508-371-2371 darnold@mcsok.edu
- Muscle Products Corp., 112 Fennell Dr., Butler, PA 16002 / 800-227-7049; or 724-283-0567; FAX: 724-283-8310
mpc@mpc_home.com www.mpc_home.com
- Muzzleloaders Etcetera, Inc., 9901 Lyndale Ave. S., Bloomington, MN 55420 / 952-884-1161
www.muzzleloaders-etcetera.com
- MWG Co., P.O. Box 971202, Miami, FL 33197 / 800-428-9394; or 305-253-8393; FAX: 305-232-1247

N

- N.B.B., Inc., 24 Elliot Rd., Sterling, MA 01564 / 508-422-7538; or 800-942-9444
- N.C. Ordnance Co., P.O. Box 3254, Wilson, NC 27895 / 919-237-2440; FAX: 919-243-9845
- Nagel's Custom Bullets, 100 Scott St., Baytown, TX 77520-2849
- Nalpak, 1937-C Friendship Drive, El Cajon, CA 92020 / 619-258-1200
- Nastoff, Steve. See: NASTOFFS 45 SHOP, INC.
- Nastoffs 45 Shop, Inc., Steve Nastoff, 1057 Laverne Dr., Youngstown, OH 44511
- National Bullet Co., 1585 E. 361 St., Eastlake, OH 44095 / 216-951-1854; FAX: 216-951-7761
- National Target Co., 4690 Wyaconda Rd., Rockville, MD 20852 / 800-827-7060 or 301-770-7060; FAX: 301-770-7892
- Nationwide Airgun Repair, 2310 Windsor Forest Dr., Louisville, KY 40272 / 502-937-2614; FAX: 812-637-1463 shortshoestring@insightbb.com
- Naval Ordnance Works, Rt. 2, Box 919, Sheperdstown, WV 25443 / 304-876-0998
- Navy Arms Co., 219 Lawn St., Martinsburg, WV 25401 / 304-262-9870; FAX: 304-262-1658
- Navy Arms Company, Valmore J. Forgett Jr., 815 22nd Street, Union City, NJ 07087 / 201-863-7100; FAX: 201-863-8770 info@navyarms.com www.navyarms.com
- NCP Products, Inc., 3500 12th St. N.W., Canton, OH 44708 / 330-456-5130; FAX: 330-456-5234
- Necessary Concepts, Inc., P.O. Box 571, Deer Park, NY 11729 / 516-667-8509; FAX: 516-667-8588
- NEI Handtools, Inc., 10960 Gary Player Dr., El Paso, TX 79935
- Neil A. Jones Custom Products, 17217 Brookhouser Road, Saegertown, PA 16433 / 814-763-2769; FAX: 814-763-4228
- Nelson, Gary K., 975 Terrace Dr., Oakdale, CA 95361 / 209-847-4590

MANUFACTURER'S DIRECTORY

Nelson, Stephen. See: NELSON'S CUSTOM GUNS, INC.
Nelson's Custom Guns, Inc., Stephen Nelson, 7430 Valley View Dr. N.W., Corvallis, OR 97330 / 541-745-5232 nelsons-custom@attbi.com
Nesci Enterprises Inc., P.O. Box 119, Summit St., East Hampton, CT 06424 / 203-267-2588
Nesika Bay Precision, 22239 Big Valley Rd., Poulso, WA 98370 / 206-697-3830
Nettestad Gun Works, 38962 160th Avenue, Pelican Rapids, MN 56572 / 218-863-4301
Neumann GmbH, Am Galgenberg 6, 90575, GERMANY / 09101/8258; FAX: 09101/6356
Nevada Pistol Academy, Inc., 4610 Blue Diamond Rd., Las Vegas, NV 89139 / 702-897-1100
New England Ammunition Co., 1771 Post Rd. East, Suite 223, Westport, CT 06880 / 203-254-8048
New England Arms Co., Box 278, Lawrence Lane, Kittery Point, ME 03905 / 207-439-0593; FAX: 207-439-0525 info@newenglandarms.com www.newenglandarms.com
New England Custom Gun Service, 438 Willow Brook Rd., Plainfield, NH 03781 / 603-469-3450; FAX: 603-469-3471 bestguns@cyborportal.net www.newenglandcustom.com
New Orleans Jewelers Supply Co., 206 Charters St., New Orleans, LA 70130 / 504-523-3839; FAX: 504-523-3836
New SKB Arms Co., C.P.O. Box 1401, Tokyo, JAPAN / 81-3-3943-9550; FAX: 81-3-3943-0695
New Ultra Light Arms, LLC, P.O. Box 340, Granville, WV 26534
Newark Electronics, 4801 N. Ravenswood Ave., Chicago, IL 60640
Newell, Robert H., 55 Coyote, Los Alamos, NM 87544 / 505-662-7135
Newman Gunshop, 2035 Chester Ave. #411, Ottumwa, IA 52501-3715 / 515-937-5775
Nicholson Custom, 17285 Thornlay Road, Hughesville, MO 65334 / 816-826-8746
Nickels, Paul R., 4328 Seville St., Las Vegas, NV 89121 / 702-435-5318
Nicklas, Ted, 5504 Hegel Rd., Goodrich, MI 48438 / 810-797-4493
Niemi Engineering, W. B., Box 126 Center Rd., Greensboro, VT 05841 / 802-533-7180; FAX: 802-533-7141
Nikon, Inc., 1300 Walt Whitman Rd., Melville, NY 11747 / 516-547-8623; FAX: 516-547-0309
Nitex Gun Shop, P.O. Box 1706, Uvalde, TX 78801 / 830-278-8843
Noreen, Peter H., 5075 Buena Vista Dr., Belgrade, MT 59714 / 406-586-7383
Norica, Aynda Otaola, 16 Apartado 68, Eibar, SPAIN
Norinco, 7A Yun Tan N, Beijing, CHINA
Norincoptics (See BEC, Inc.)
Norma Precision AB (See U.S. Importers-Dynamit)
Normark Corp., 10395 Yellow Circle Dr., Minnetonka, MN 55343-9101 / 612-933-7060; FAX: 612-933-0046
North American Arms, Inc., 2150 South 950 East, Provo, UT 84606-6285 / 800-821-5783; or 801-374-9990; FAX: 801-374-9998
North American Correspondence Schools The Gun Pro, Oak & Pawney St., Scranton, PA 18515 / 717-342-7701
North American Shooting Systems, P.O. Box 306, Osoyoos, BC V0H 1V0 CANADA / 250-495-3131; FAX: 250-495-3131 rifle@cablerocket.com
North Devon Firearms Services, 3 North St., Braunton, EX33 1AJ ENGLAND / 01271 813624; FAX: 01271 813624
North Mountain Pine Training Center (See Executive)
North Star West, P.O. Box 488, Glencoe, CA 95232 / 209-293-7010 northstarwest.com
Northern Precision, 329 S. James St., Carthage, NY 13619 / 315-493-1711
Northlake Outdoor Footwear, P.O. Box 10, Franklin, TN 37065-0010 / 615-794-1556; FAX: 615-790-8005
Northside Gun Shop, 2725 NW 109th, Oklahoma City, OK 73120 / 405-840-2353
Northwest Arms, 26884 Pearl Rd., Parma, ID 83660 / 208-722-6771; FAX: 208-722-1062
No-Sho Mfg. Co., 10727 Glenfield Ct., Houston, TX 77096 / 713-723-5332
Nosler, Inc., P.O. Box 671, Bend, OR 97709 / 800-285-3701; or 541-382-3921; FAX: 541-388-4667 www.nosler.com
Novak's, Inc., 1206 1/2 30th St., P.O. Box 4045, Parkersburg, WV 26101 / 304-485-9295; FAX: 304-428-6722
Nowlin Mfg. Co., 20622 S 4092 Rd., Claremore, OK 74017 / 918-342-0689; FAX: 918-342-0624
nowlinguns@msn.com nowlinguns.com
NRI Gunsmith School, P.O. Box 182968, Columbus, OH 43218-2968

Nu-Line Guns, Inc., 1053 Caulks Hill Rd., Harvester, MO 63304 / 314-441-4500; or 314-447-4501; FAX: 314-447-5018
Null Holsters Ltd. K.L., 161 School St NW, Resaca, GA 30735 / 706-625-5643; FAX: 706-625-9392
Numrich Gun Parts Corporation, 226 Williams Lane, P.O. Box 299, West Hurley, NY 12491 / 866-686-7424; FAX: 877-GUNPART info@gunpartscorp.com www.gunpartscorp.com
Nygord Precision Products, Inc., P.O. Box 12578, Prescott, AZ 86304 / 928-717-2315; FAX: 928-717-2198 nygords@northlink.com www.nygordprecision.com

O

O.F. Mossberg & Sons, Inc., 7 Grasso Ave., North Haven, CT 06473 / 203-230-5300; FAX: 203-230-5420
Oakman Turkey Calls, RD 1, Box 825, Harrisonville, PA 17228 / 717-485-4620
Obermeyer Rifled Barrels, 23122 60th St., Bristol, WI 53104 / 262-843-3537; FAX: 262-843-2129
October Country Muzzleloading, P.O. Box 969, Dept. GD, Hayden, ID 83835 / 208-772-2068; FAX: 208-772-9230 ocinfo@octobercountry.com www.octobercountry.com
Oehler Research, Inc., P.O. Box 9135, Austin, TX 78766 / 512-327-6900; or 800-531-5125; FAX: 512-327-6903 www.oehler-research.com
Oil Rod and Gun Shop, 69 Oak St., East Douglas, MA 01516 / 508-476-3687
OK Weber, Inc., P.O. Box 7485, Eugene, OR 97401 / 541-747-0458; FAX: 541-747-5927 okweber@pacinfo.com www.okweber.com
Oker's Engineering, P.O. Box 126, Shawnee, CO 80475 / 303-838-6042
Oklahoma Ammunition Co., 3701A S. Harvard Ave., No. 367, Tulsa, OK 74135-2265 / 918-396-3187; FAX: 918-396-4270
Oklahoma Leather Products, Inc., 500 26th NW, Miami, OK 74354 / 918-542-6651; FAX: 918-542-6653
Olathe Gun Shop, 716-A South Rogers Road, Olathe, KS 66062 / 913-782-6900; FAX: 913-782-6902 info@olathegunshop.com www.olathegunshop.com
Old Wagon Bullets, 32 Old Wagon Rd., Wilton, CT 06897
Old West Bullet Moulds, J Ken Chapman, P.O. Box 519, Flora Vista, NM 87415 / 505-334-6970
Old West Reproductions, Inc. R.M. Bachman, 446 Florence S. Loop, Florence, MT 59833 / 406-273-2615; FAX: 406-273-2615 rick@oldwestreproductions.com www.oldwestreproductions.com
Old Western Scrounger Ammunition Inc., 50 Industrial Parkway, Carson City, NV 89706 / 775-246-2091; FAX: 775-246-2095 www.ows-ammunition.com
Old World Gunsmithing, 2901 SE 122nd St., Portland, OR 97236 / 503-760-7681
Old World Oil Products, 3827 Queen Ave. N., Minneapolis, MN 55412 / 612-522-5037
Ole Frontier Gunsmith Shop, 2617 Hwy. 29 S., Cantonment, FL 32533 / 904-477-8074
Olson, Myron, 989 W. Kemp, Watertown, SD 57201 / 605-886-9787
Olson, Vic, 5002 Countryside Dr., Imperial, MO 63052 / 314-296-8086
Olympic Arms Inc., 620-626 Old Pacific Hwy. SE, Olympia, WA 98513 / 360-456-3471; FAX: 360-491-3447 info@olyarms.com www.olyarms.com
Olympic Optical Co., P.O. Box 752377, Memphis, TN 38175-2377 / 901-794-3890; or 800-238-7120; FAX: 901-794-0676 80
Omega Sales, P.O. Box 1066, Mt. Clemens, MI 48043 / 810-469-7323; FAX: 810-469-0425
100 Straight Products, Inc., P.O. Box 6148, Omaha, NE 68106 / 402-556-1055; FAX: 402-556-1055
One Of A Kind, 15610 Purple Sage, San Antonio, TX 78255 / 512-695-3364
One Ragged Hole, P.O. Box 13624, Tallahassee, FL 32317-3624
Op-Tec, P.O. Box L632, Langhorn, PA 19047 / 215-757-5037; FAX: 215-757-7097
Optical Services Co., P.O. Box 1174, Santa Teresa, NM 88008-1174 / 505-589-3833
Orchard Park Enterprise, P.O. Box 563, Orchard Park, NY 14127 / 616-656-0356
Oregon Arms, Inc. (See Rogue Rifle Co., Inc.)
Oregon Trail Bullet Company, PO Box 529, Dept. P, Baker City, OR 97814 / 800-811-0548; FAX: 514-523-1803
Original Box, Inc., 700 Linden Ave., York, PA 17404 / 717-854-2897; FAX: 717-845-4276

Original Deer Formula Co., The, P.O. Box 1705, Dickson, TN 37056 / 800-874-6965; FAX: 615-446-0646 deerformula1@aol.com www.deerformula.com
Orion Rifle Barrel Co., RR2, 137 Cobler Village, Kalispell, MT 59901 / 406-257-5649
Otis Technology, Inc., RR 1 Box 84, Boonville, NY 13309 / 315-942-3320
Ottmar, Maurice, Box 657, 113 E. Fir, Coulee City, WA 99115 / 509-632-5717
Outa-Site Gun Carriers, 219 Market St., Laredo, TX 78040 / 210-722-4678; or 800-880-9715; FAX: 210-726-4858
Outdoor Edge Cutlery Corp., 4699 Nautilus Ct. S. Ste. 503, Boulder, CO 80301-5310 / 303-652-8212; FAX: 303-652-8238
Outdoor Enthusiast, 3784 W. Woodland, Springfield, MO 65807 / 417-883-9841
Outdoor Sports Headquarters, Inc., 967 Watertower Ln., West Carrollton, OH 45449 / 513-865-5855; FAX: 513-865-5962
Outers Laboratories Div. of ATK, Route 2, P.O. Box 39, Onalaska, WI 54650 / 608-781-5800; FAX: 608-781-0368
Ox-Yoke Originals, Inc., 34 Main St., Milo, ME 04463 / 800-231-8313; or 207-943-7351; FAX: 207-943-2416
Ozark Gun Works, 11830 Cemetery Rd., Rogers, AR 72756 / 479-631-1024; FAX: 479-631-1024 ogw@hotmail.com www.eocfiles.com/ocarkgunworks

P

P&M Sales & Services, LLC, 4697 Tote Rd. Bldg. H-B, Comins, MI 48619 / 989-848-8364; FAX: 989-848-8364 info@pmsales-online.com
P.A.C.T., Inc., P.O. Box 531525, Grand Prairie, TX 75053 / 214-641-0049
P.S.M.G. Gun Co., 10 Park Ave., Arlington, MA 02174 / 781-646-1699; FAX: 781-643-7212 psmg2@aol.com
Pachmayr Div. Lyman Products, 475 Smith St., Middletown, CT 06457 / 860-632-2020; or 800-225-9626; FAX: 860-632-1699 lymanproducts@csshore.com www.pachmayr.com
Pacific Armament Corp, 4813 Enterprise Way, Unit K, Modesto, CA 95356 / 209-545-2800 gunparts@att.net
Pacific Rifle Co., P.O. Box 841, Carlton, OR 97111 / 503-852-6276 pacificrifle@aol.com
PAC-NOR Barreling, 99299 Overlook Rd., P.O. Box 6188, Brookings, OR 97415 / 503-469-7330; FAX: 503-469-7331 info@pac-nor.com www.pac-nor.com
Paco's (See Small Custom Mould & Bullet Co.)
Page Custom Bullets, P.O. Box 25, Port Moresby, NEW GUINEA
Pagel Gun Works, Inc., 2 SE 1st St., Grand Rapids, MN 55744
Pager Pal, 200 W Pleasantview, Hurst, TX 76054 / 800-561-1603; FAX: 817-285-8769 www.pagerpal.com
Paintball Games International Magazine Aceville, Castle House 97 High St., Essex, ENGLAND / 011-44-206-564840
Palsa Outdoor Products, P.O. Box 81336, Lincoln, NE 68501 / 402-488-5288; FAX: 402-488-2321
Pansch, Robert F., 1004 Main St. #10, Neenah, WI 54956 / 920-725-8175
Paragon Sales & Services, Inc., 2501 Theodore St., Crest Hill, IL 60435-1613 / 815-725-9212; FAX: 815-725-8974
Para-Ordnance Mfg., Inc., 980 Tapscott Rd., Scarborough, ON M1X 1E7 CANADA / 416-297-7855; FAX: 416-297-1289
Para-Ordnance, Inc., 1919 NE 45th St., Ste 215, Ft. Lauderdale, FL 33308 info@paraord.com www.paraord.com
Pardini Armi Srl, Via Italica 154, 55043, Lido Di Camaiore Lu, ITALY / 584-90121; FAX: 584-90122
Paris, Frank J., 17417 Pershing St., Livonia, MI 48152-3822
Parker & Sons Shooting Supply, 9337 Smoky Row Road, Strawberry Plains, TN 37871 / 865-933-3286; FAX: 865-932-8586
Parker Gun Finishes, 9337 Smokey Row Rd., Strawberry Plains, TN 37871 / 865-933-3286; FAX: 865-932-8586
Parsons Optical Mfg. Co., PO Box 192, Ross, OH 45061 / 513-867-0820; FAX: 513-867-8380 psscopes@concentric.net
Partridge Sales Ltd., John, Trent Meadows, Rugeley, ENGLAND
Pasadena Gun Center, 206 E. Shaw, Pasadena, TX 77506 / 713-472-0417; FAX: 713-472-1322
Passive Bullet Traps, Inc. (See Savage Range Systems, Inc.)
Paterson Gunsmithing, 438 Main St., Paterson, NJ 07502 / 201-345-4100

MANUFACTURER'S DIRECTORY

- Pathfinder Sports Leather, 2920 E. Chambers St., Phoenix, AZ 85040 / 602-276-0016
- Patrick W. Price Bullets, 16520 Worthley Drive, San Lorenzo, CA 94580 / 510-278-1547
- Pattern Control, 114 N. Third St., P.O. Box 462105, Garland, TX 75046 / 214-494-3551; FAX: 214-272-8447
- Paul A. Harris Hand Engraving, 113 Rusty Lane, Boerne, TX 78006-5746 / 512-391-5121
- Paul and Sharon Dressel, 209 N. 92nd Ave., Yakima, WA 98908 / 509-966-9233; FAX: 509-966-3365
dressels@nwinfo.net www.dressels.com
- Paul D. Hillmer Custom Gunstocks, 7251 Hudson Heights, Hudson, IA 50643 / 319-988-3941
- Paul Jones Moulds, 4901 Telegraph Rd., Los Angeles, CA 90022 / 213-262-1510
- Paulsen Gunstocks, Rt. 71, Box 11, Chinook, MT 59523 / 406-357-3403
- Pawling Mountain Club, Keith Lupton, PO Box 573, Pawling, NY 12564 / 914-855-3825
- Paxton Quigley's Personal Protection Strategies, 9903 Santa Monica Blvd., 300, Beverly Hills, CA 90212 / 310-281-1762 www.defend-net.com/paxton
- Payne Photography, Robert, Robert, P.O. Box 141471, Austin, TX 78714 / 512-272-4554
- Peacemaker Specialists, P.O. Box 157, Whitmore, CA 96096 / 530-472-3438 www.peacemakerspecialists.com
- Pearce Grip, Inc., P.O. Box 40367, Fort Worth, TX 76140 / 817-568-9704; FAX: 817-568-9707
info@pearcegrip.com www.pearcegrip.com
- Pease Accuracy, Bob, P.O. Box 310787, New Braunfels, TX 78131 / 210-625-1342
- PECAR Herbert Schwarz GmbH, Kreuzbergstrasse 6, 10965, Berlin, GERMANY / 004930-785-7383; FAX: 004930-785-1934 michael.schwarz@pecar-berlin.de www.pecar-berlin.de
- Pecatonica River Longrifle, 5205 Nottingham Dr., Rockford, IL 61111 / 815-968-1995; FAX: 815-968-1996
- Pedersen, C. R., 2717 S. Pere Marquette Hwy., Ludington, MI 49431 / 231-843-2061; FAX: 231-845-7695
fega@fega.com
- Pedersen, Rex C., 2717 S. Pere Marquette Hwy., Ludington, MI 49431 / 231-843-2061; FAX: 231-845-7695
fega@fega.com
- Peifer Rifle Co., P.O. Box 220, Nokomis, IL 62075
- Pejsa Ballistics, 1314 Marquette Ave., Apt 906, Minneapolis, MN 55403 / 612-332-5073; FAX: 612-332-5204
pejsa@sprintmail.com pejsa.com
- Pelaire Products, 5346 Bonky Ct., W. Palm Beach, FL 33415 / 561-439-0691; FAX: 561-967-0052
- Peltor, Inc. (See Aero Peltor)
- PEM's Mfg. Co., 5063 Waterloo Rd., Atwater, OH 44201 / 216-947-3721
- Pence Precision Barrels, 7567 E. 900 S., S. Whitley, IN 46787 / 219-839-4745
- Pendleton Royal, c/o Swingler Buckland Ltd., 4/7 Highgate St., Birmingham, ENGLAND / 44 121 440 3060; or 44 121 446 5898; FAX: 44 121 446 4165
- Pendleton Woolen Mills, P.O. Box 3030, 220 N.W. Broadway, Portland, OR 97208 / 503-226-4801
- Penn Bullets, P.O. Box 756, Indianola, PA 15051
- Pennsylvania Gun Parts Inc., RR 7 Box 150, Mount Pleasant, PA 15666
- Pennsylvania Gunsmith School, 812 Ohio River Blvd., Avalon, Pittsburgh, PA 15202 / 412-766-1812; FAX: 412-766-0855 pgs@pagunsmith.com www.pagunsmith.com
- Penrod Precision, 312 College Ave., P.O. Box 307, N. Manchester, IN 46962 / 260-982-8385; FAX: 260-982-1819
- Pentax Corp., 35 Inverness Dr. E., Englewood, CO 80112 / 303-799-8000; FAX: 303-790-1131
- Penthyeny de Penthyeny, c/o H.P. Okelly, 321 S. Main St., Sebastopol, CA 95472 / 707-824-1637; FAX: 707-824-1637
- Perazone-Gunsmith, Brian, Cold Spring Rd., Roxbury, NY 12474 / 607-326-4088; FAX: 607-326-3140
bpgunsmith@catskill.net www.bpgunsmith@catskill.net
- Perazzi U.S.A. Inc., 1010 West Tenth, Azusa, CA 91702 / 626-334-1234; FAX: 626-334-0344 perazziusa@aol.com
- Performance Specialists, 308 Eanes School Rd., Austin, TX 78746 / 512-327-0119
- Perugini Visini & Co. S.r.l., Via Camprelle, 126, 25080 Nuvolera, ITALY / 30-6897535; FAX: 30-6897821
peruvisi@virgillia.it
- Pete de Coux Auction House, HC 30 Box 932 G, Prescott, AZ 86305-7447 / 928-776-8285; FAX: 928-776-8276
pbullets@commspeed.net
- Pete Mazur Restoration, 13083 Drummer Way, Grass Valley, CA 95949 / 530-268-2412; FAX: 530-268-2412
- Pete Rickard, Inc., 115 Roy Walsh Rd, Cobleskill, NY 12043 / 518-234-2731; FAX: 518-234-2454 rickard@telenet.net www.peterickard.com
- Peter Dyson & Son Ltd., 3 Cuckoo Lane, Honley, Holmfirth, Yorkshire, HD9 6AS ENGLAND / 44-1484-661062; FAX: 44-1484-663709 peter@peterdyson.co.uk www.peterdyson.co.uk
- Peter Hale/Engraver, 800 E. Canyon Rd., Spanish Fork, UT 84660 / 801-798-8215
- Peters Stahl GmbH, Stettiner Strasse 42, D-33106, Paderborn, GERMANY / 05251-750025; FAX: 05251-75611
- Peterson Gun Shop, Inc., A.W., 4255 W. Old U.S. 441, Mt. Dora, FL 32757-3299 / 352-383-4258; FAX: 352-735-1001
- Petro-Explo Inc., 7650 U.S. Hwy. 287, Suite 100, Arlington, TX 76017 / 817-478-8888
- Pettinger Books, Gerald, 47827 300th Ave., Russell, IA 50238 / 641-535-2239 gpettinger@lisco.com
- Pflumm Mfg. Co., 10662 Widmer Rd., Lenexa, KS 66215 / 800-888-4867; FAX: 913-451-7857
- PFRB Co., P.O. Box 1242, Bloomington, IL 61702 / 309-473-3964; or 800-914-5464; FAX: 309-473-2161
- Philip S. Olt Co., P.O. Box 550, 12662 Fifth St., Pekin, IL 61554 / 309-348-3633; FAX: 309-348-3300
- Phillippi Custom Bullets, Justin, P.O. Box 773, Ligonier, PA 15658 / 724-238-2962; FAX: 724-238-9671
jrp@wpa.net http://www.wpa.net-jrp/phil
- Phillips & Rogers, Inc., 100 Hilbig #C, Conroe, TX 77301 / 409-435-0011
- Phoenix Arms, 4231 Brickell St., Ontario, CA 91761 / 909-937-6900; FAX: 909-937-0060
- Photronic Systems Engineering Company, 6731 Via De La Reina, Bonsall, CA 92003 / 619-758-8000
- Piedmont Community College, P.O. Box 1197, Roxboro, NC 27573 / 336-599-1181; FAX: 336-597-3817
www.piedmont.cc.nc.us
- Pierce Pistols, 55 Sorrellwood Lane, Sharpsburg, GA 30277-9523 / 404-253-8192
- Pietta (See U.S. Importers-Navy Arms Co, Taylor's Pilgrim Pewter, Inc. (See Bell Originals Inc. Sid) Pilkington, Scott (See Little Trees Rumble) Pine Technical College, 1100 4th St., Pine City, MN 55063 / 800-521-7463; FAX: 612-629-6766
- PineTree Bullets, 133 Skeena St., Kitimat, BC V8C 1Z1 CANADA / 604-632-3768; FAX: 604-632-3768
- Pioneer Arms Co., 355 Lawrence Rd., Broomall, PA 19008 / 215-356-5203
- Piotti (See U.S. Importer-Moore & Co., Wm. Larkin) Piquette, Paul. See: PIQUETTE'S CUSTOM ENGRAVING Piquette's Custom Engraving, Paul R. Piquette, 80 Bradford Dr., Feeding Hills, MA 01030 / 413-789-4582; FAX: 413-786-8118 ppiquette@aol.com www.pistoldynamics.com
- Plaza Cutlery, Inc., 3333 Bristol, 161 South Coast Plaza, Costa Mesa, CA 92626 / 714-549-3932
- Plum City Ballistic Range, N2162 80th St., Plum City, WI 54761 / 715-647-2539
- PlumFire Press, Inc., 30-A Grove Ave., Patchogue, NY 11772-4112 / 800-695-7246; FAX: 516-758-4071
- PMC/Eldorado Cartridge Corp., P.O. Box 62508, 12801 U.S. Hwy. 95 S., Boulder City, NV 89005 / 702-294-0025; FAX: 702-294-0121 kbauer@pmcammo.com www.pmcammo.com
- Poburka, Philip (See Bison Studios)
- Pointing Dog Journal, Village Press Publications, P.O. Box 968, Dept. PGD, Traverse City, MI 49685 / 800-272-3246; FAX: 616-946-3289
- Police Bookshelf, PO Box 122, Concord, NH 03301 / 603-224-6814; FAX: 603-226-3554
- Polywad, Inc., P.O. Box 7916, Macon, GA 31209 / 478-477-0669; or 800-998-0669 FAX: 478-477-0666
polywadmp@aol.com www.polywad.com
- Ponsness/Warren, 768 Ohio St., Rathdrum, ID 83858 / 800-732-0706; FAX: 208-687-2233
- Pony Express Reloaders, 608 E. Co. Rd. D, Suite 3, St. Paul, MN 55117 / 612-483-9406; FAX: 612-483-9884
- Pony Express Sport Shop, 23404 Lyons Ave., PMB 448, Newhall, CA 91321-2511 / 818-895-1231
- Potts, Wayne E., 912 Poplar St., Denver, CO 80220 / 303-355-5462
- Powder Horn Ltd., PO Box 565, Glenview, IL 60025 / 305-565-6060
- Powell & Son (Gunmakers) Ltd., William, 35-37 Carrs Lane, Birmingham, B4 7SX ENGLAND / 121-643-0689; FAX: 121-631-3504 sales@william-powell.co.uk www.william-powell.co.uk
- Powell Agency, William, 22 Circle Dr., Bellmore, NY 11710 / 516-679-1158
- Power Custom, Inc., 29739 Hwy. J, Gravois Mills, MO 65037 / 573-372-5684; FAX: 573-372-5799
rwpowers@laurie.net www.powercustom.com
- Power Plus Enterprises, Inc., PO Box 38, Warm Springs, GA 31830 / 706-655-2132
- Powley Computer (See Hutton Rifle Ranch)
- Practical Tools, Inc., 7067 Easton Rd., P.O. Box 133, Pipersville, PA 18947 / 215-766-7301; FAX: 215-766-8681
- Prairie Gun Works, 1-761 Marion St., Winnipeg, MB R2J 0K6 CANADA / 204-231-2976; FAX: 204-231-8566
- Prairie River Arms, 1220 N. Sixth St., Princeton, IL 61356 / 815-875-1616; or 800-445-1541; FAX: 815-875-1402
- Pranger, Ed G., 1414 7th St., Anacortes, WA 98221 / 206-293-3488
- Precision Airgun Sales, Inc., 5247 Warrenville Ctr Rd., Maple Hts., OH 44137 / 216-587-5005; FAX: 216-587-5005
- Precision Cast Bullets, 101 Mud Creek Lane, Ronan, MT 59864 / 406-676-5135
- Precision Delta Corp., PO Box 128, Ruleville, MS 38771 / 662-756-2810; FAX: 662-756-2590
- Precision Firearm Finishing, 25 N.W. 44th Avenue, Des Moines, IA 50313 / 515-288-8680; FAX: 515-244-3925
- Precision Gun Works, 104 Sierra Rd., Dept. GD, Kerrville, TX 78028 / 830-367-4587
- Precision Reloading, Inc., P.O. Box 122, Stafford Springs, CT 06076 / 860-684-7979; FAX: 860-684-6788
info@precisionreloading.com www.precisionreloading.com
- Precision Sales International, Inc., PO Box 1776, Westfield, MA 01086 / 413-562-5055; FAX: 413-562-5056
precision-sales.com
- Precision Shooting, Inc., 222 McKee St., Manchester, CT 06040 / 860-645-8776; FAX: 860-643-8215
www.theaccuraterifle.com
- Precision Small Arms Inc., 9272 Jeronimo Rd, Ste 121, Irvine, CA 92618 / 800-554-5515; or 949-768-3530; FAX: 949-768-4808 www.tcbebe.com
- Precision Specialties, 131 Hendom Dr., Feeding Hills, MA 01030 / 413-786-3365; FAX: 413-786-3365
- Precision Sport Optics, 15571 Producer Lane, Unit G, Huntington Beach, CA 92649 / 714-891-1309; FAX: 714-892-6920
- Premier Reticles, 920 Breckinridge Lane, Winchester, VA 22601-6707 / 540-722-0601; FAX: 540-722-3522
- Prescott Projectile Co., 1808 Meadowbrook Road, Prescott, AZ 86303
- Preslik's Gunstocks, 4245 Keith Ln., Chico, CA 95926 / 916-891-8236
- Price Bullets, Patrick W., 16520 Worthley Dr., San Lorenzo, CA 94580 / 510-278-1547
- Prime Reloading, 30 Chiswick End, Meldreth, ROYSTON UK / 0763-260636
- Primedia Publishing Co., 6420 W. Whshire Blvd., Los Angeles, CA 90048 / 213-782-2000; FAX: 213-782-2867
- Primos Hunting Calls, 4436 North State St., Ste. A-7, Jackson, MS 39206 / 601-366-1288; FAX: 601-362-3274 www.primos.com
- PRL Bullets, c/o Blackburn Enterprises, 114 Stuart Rd., Ste. 110, Cleveland, TN 37312 / 423-559-0340
- Pro Load Ammunition, Inc., 5180 E. Seltice Way, Post Falls, ID 83854 / 208-773-9444; FAX: 208-773-9441
- Professional Gunsmiths of America, Rt 1 Box 224, Lexington, MO 64067 / 660-259-2636
- Professional Hunter Supplies (See Star Custom Bullets), P.O. Box 608, 468 Main St., Ferndale, CA 95536 / 707-786-9140; FAX: 707-786-9117
wmebride@humboldt.com
- ProLixr Lubricants, P.O. Box 1348, Victorville, CA 92393 / 760-243-3129; FAX: 760-241-0148 prolix@accex.net www.prolixlubricant.com
- Pro-Mark Div. of Wells Lamont, 6640 W. Touhy, Chicago, IL 60648 / 312-647-8200
- Proofmark Corp., P.O. Box 357, Burgess, VA 22432 / 804-453-4337; FAX: 804-453-4337
proofmark@rivnet.net www.proofmarkbullets.com
- Pro-Port Ltd., 41302 Executive Dr., Harrison Twp., MI 48045-1306 / 586-469-6727; FAX: 586-469-0425
e-mail@magnaport.com www.magnaport.com
- Pro-Shot Products, Inc., P.O. Box 763, Taylorville, IL 62568 / 217-824-9133; FAX: 217-824-8861
www.proshotproducts.com
- Protector Model, 1-11 Bridge St., Galeton, PA 16922 / 814-435-2442 mail@protektormodel.com www.protektormodel.com
- Prototech Industries, Inc., 10532 E Road, Delia, KS 66418 / 785-771-3571 prototex@grapevine.net

MANUFACTURER'S DIRECTORY

ProWare, Inc., 15847 NE Hancock St., Portland, OR 97230 / 503-239-0159
PWL Gunleather, P.O. Box 450432, Atlanta, GA 31145 / 800-960-4072; FAX: 770-822-1704 covert@pwlusa.com www.pwlusa.com
PWM Sales Ltd., N.D.F.S., Gowdall Lane, Pollington DN14 0AU, ENGLAND / 01405862688; FAX: 01405862622 Paulwelburn9@aol.com
Pyramyd Stone Inter. Corp., 2447 Suffolk Lane, Pepper Pike, OH 44124-4540

Q

Quack Decoy & Sporting Clays, 4 Ann & Hope Way, P.O. Box 98, Cumberland, RI 02864 / 401-723-8202; FAX: 401-722-5910
Quaker Boy, Inc., 5455 Webster Rd., Orchard Parks, NY 14127 / 716-662-3979; FAX: 716-662-9426
Quality Arms, Inc., Box 19477, Dept. GD, Houston, TX 77224 / 281-870-8377 arrieta2@excite.com www.gunshop.com
Quality Cartridge, P.O. Box 445, Hollywood, MD 20636 / 301-373-3719 www.qual-cart.com
Quality Custom Firearms, Stephen Billeb, 22 Vista View Drive, Cody, WY 82414 / 307-587-4278; FAX: 307-587-4297 stevebilleb@wyoming.com
Quarton Beamshot, 4538 Centerview Dr., Ste. 149, San Antonio, TX 78228 / 800-520-8435; FAX: 210-735-1326 www.beamshot.com
Que Industries, Inc., PO Box 2471, Everett, WA 98203 / 425-303-9088; FAX: 206-514-3266 queinfo@queindustries.com
Queen Cutlery Co., PO Box 500, Franklinville, NY 14737 / 800-222-5233; FAX: 800-299-2618

R

R&C Knives & Such, 2136 CANDY CANE WALK, Manteca, CA 95336-9501 / 209-239-3722; FAX: 209-825-6947
R&D Gun Repair, Kenny Howell, RR1 Box 283, Beloit, WI 53511
R&J Gun Shop, 337 S. Humbolt St., Canyon City, OR 97820 / 541-575-2130 rjgunshop@highdestertnet.com
R&S Industries Corp., 8255 Brentwood Industrial Dr., St. Louis, MO 63144 / 314-781-5169 ron@miraclepolishingcloth.com www.miraclepolishingcloth.com
R. Murphy Co., Inc., 13 Groton-Harvard Rd., P.O. Box 376, Ayer, MA 01432 / 617-772-3481 www.r.murphyknives.com
R.A. Wells Custom Gunsmith, 3452 1st Ave., Racine, WI 53402 / 414-639-5223
R.E. Seebeck Assoc., P.O. Box 59752, Dallas, TX 75229
R.E.I., P.O. Box 88, Tallevast, FL 34270 / 813-755-0085
R.E.T. Enterprises, 2608 S. Chestnut, Broken Arrow, OK 74012 / 918-251-GUNS; FAX: 918-251-0587
R.F. Mitchell Bullets, 430 Walnut St., Westernport, MD 21562
R.L.S. Co., Inc., 718 Timberlake Circle, Richardson, TX 75080 / 214-235-0933
R.T. Eastman Products, P.O. Box 1531, Jackson, WY 83001 / 307-733-3217; or 800-624-4311
Rabeno, Martin, 530 The Eagle Pass, Durango, CO 81301 / 970-382-0353 fancygun@aol.com
Radack Photography, Lauren, 21140 Jib Court L-12, Aventura, FL 33180 / 305-931-3110
Radiator Specialty Co., 1900 Wilkinson Blvd., P.O. Box 34689, Charlotte, NC 28234 / 800-438-6947; FAX: 800-421-9525
Radical Concepts, P.O. Box 1473, Lake Grove, OR 97035 / 503-538-7437
Rainier Ballistics, 4500 15th St. East, Tacoma, WA 98424 / 800-638-8722; FAX: 253-922-7854 sales@rainierballistics.com www.rainierballistics.com
Ralph Bone Engraving, 718 N. Atlanta St., Owasso, OK 74055 / 918-272-9745
Ram-Line ATK, P.O. Box 39, Onalaska, WI 54650
Ramon B. Gonzalez Guns, P.O. Box 370, Monticello, NY 12701 / 914-794-4515; FAX: 914-794-4515
Rampart International, 2781 W. MacArthur Blvd., B-283, Santa Ana, CA 92704 / 800-976-7240 or 714-557-6405
Ranch Products, P.O. Box 145, Malinta, OH 43535 / 313-277-3118; FAX: 313-565-8536
Randall-Made Knives, P.O. Box 1988, Orlando, FL 32802 / 407-855-8075
Randco UK, 286 Gipsy Rd., Welling, DA16 1JJ ENGLAND / 44 81 303 4118

Randolph Engineering, Inc., Ranger Shooting Glasses, 26 Thomas Patten Dr., Randolph, MA 02368 / 800-541-1405; FAX: 781-986-0337 sales@randolphusa.com www.randolphusa.com
Randy Duane Custom Stocks, 7822 Church St., Middletown, VA 22645-9521
Range Brass Products Company, P.O. Box 218, Rockport, TX 78381
Ransom International Corp., 1027 Spire Dr, Prescott, AZ 86302 / 520-778-7899; FAX: 520-778-7993 ransom@primenet.com www.ransom-intl.com
Rapine Bullet Mould Mfg. Co., 9503 Landis Lane, East Greenville, PA 18041 / 215-679-5413; FAX: 215-679-9795
Ravell Ltd., 289 Diputacion St., 08009, Barcelona, SPAIN / 34(3) 4874486; FAX: 34(3) 4881394
Ray Riling Arms Books Co., 6844 Gorsten St., Philadelphia, PA 19119 / 215-438-2456; FAX: 215-438-5395 sales@rayrilingarmsbooks.com www.rayrilingarmsbooks.com
Ray's Gunsmith Shop, 3199 Elm Ave., Grand Junction, CO 81504 / 970-434-6162; FAX: 970-434-6162
Raytech Div. of Lyman Products Corp., 475 Smith Street, Middletown, CT 06457-1541 / 860-632-2020 or 800-225-9626; FAX: 860-632-1699 raysales@cshore.com www.raytech-ind.com
RCBS Operations/ATK, 605 Oro Dam Blvd., Oroville, CA 95965 / 530-533-5191 or 800-533-5000; FAX: 530-533-1647 www.rcbs.com
Reardon Products, P.O. Box 126, Morrison, IL 61270 / 815-772-3155
Red Diamond Dist. Co., 1304 Snowdon Dr., Knoxville, TN 37912
Redding Reloading Equipment, 1089 Starr Rd., Cortland, NY 13045 / 607-753-3331; FAX: 607-756-8445 techline@redding-reloading.com www.redding-reloading.com
Redfield Media Resource Center, 4607 N.E. Cedar Creek Rd., Woodland, WA 98674 / 360-225-5000; FAX: 360-225-7616
Redman's Rifling & Reborning, 189 Nichols Rd., Omak, WA 98841 / 509-826-5512
Redwood Bullet Works, 3559 Bay Rd., Redwood City, CA 94063 / 415-367-6741
Reed, Dave, Rt. 1, Box 374, Minnesota City, MN 55959 / 507-689-2944
Reimer Johannsen, Inc., 438 Willow Brook Rd., Plainfield, NH 03781 / 603-469-3450; FAX: 603-469-3471
Reloaders Equipment Co., 4680 High St., Escorse, MI 48229
Reloading Specialties, Inc., Box 1130, Pine Island, MN 55463 / 507-356-8500; FAX: 507-356-8800
Remington Arms Co., Inc., 870 Remington Drive, P.O. Box 700, Madison, NC 27025-0700 / 800-243-9700; FAX: 910-548-8700
Remington Double Shotguns, 7885 Cyd Dr., Denver, CO 80221 / 303-429-6947
Renato Gamba S.p.A.-Societa Armi Bresciane Srl., Via Artigiani 93, 25063 Gardone, Vai Trompia (BS), ITALY / 30-8911640; FAX: 30-8911648
Renegade, P.O. Box 31546, Phoenix, AZ 85046 / 602-482-6777; FAX: 602-482-1952
Renfrew Guns & Supplies, R.R. 4, Renfrew, ON K7V 3Z7 CANADA / 613-432-7080
Reno, Wayne, 2808 Stagestop Road, Jefferson, CO 80456
Republic Arms, Inc. (See Cobra Enterprises, Inc.)
Retting, Inc., Martin B., 11029 Washington, Culver City, CA 90232 / 213-837-2412
RG-G, Inc., P.O. Box 935, Trinidad, CO 81082 / 719-845-1436
RH Machine & Consulting Inc., P.O. Box 394, Pacific, MO 63069 / 314-271-8465
Rhino, P.O. Box 787, Locust, NC 28097 / 704-753-2198
Rhodeside, Inc., 1704 Commerce Dr., Piqua, OH 45356 / 513-773-5781
Rice, Keith (See White Rock Tool & Die)
Richards Micro-Fit Stocks, 8331 N. San Fernando Ave., Sun Valley, CA 91352 / 818-767-6097; FAX: 818-767-7121
Ridgeline, Inc., Bruce Sheldon, P.O. Box 930, Dewey, AZ 86327-0930 / 800-632-5900; FAX: 520-632-5900
Ridgetop Sporting Goods, P.O. Box 306, 42907 Hilligoss Ln. East, Eatonville, WA 98328 / 360-832-6422; FAX: 360-832-6422
Ries, Chuck, 415 Ridgecrest Dr., Grants Pass, OR 97527 / 503-476-5623
Rifles, Inc., 3580 Leal Rd., Pleasanton, TX 78064 / 830-569-2055; FAX: 830-569-2297
Riggs, Jim, 206 Azalea, Boerne, TX 78006 / 210-249-8567
Riley Ledbetter Airguns, 1804 E. Sprague St., Winston Salem, NC 27107-3521 / 919-784-0676

Rim Pac Sports, Inc., 1034 N. Soldano Ave., Azusa, CA 91702-2135
Ringler Custom Leather Co., 31 Shining Mtn. Rd., Powell, WY 82435 / 307-645-3255
Ripley Rifles, 42 Fletcher Street, Ripley, Derbyshire, DE5 3LP ENGLAND / 011-0773-748353
Rizzini F.lli (See U.S. Importers-Moore & C England)
Rizzini SNC, Via 2 Giugno, 7/7Bis-25060, Marcheno (Brescia), ITALY
RLCM Enterprises, 110 Hill Crest Drive, Burleson, TX 76028
RMS Custom Gunsmithing, 4120 N. Bitterwell, Prescott Valley, AZ 86314 / 520-772-7626
Robert Evans Engraving, 332 Vine St., Oregon City, OR 97045 / 503-656-5693
Robert Valade Engraving, 931 3rd Ave., Seaside, OR 97138 / 503-738-7672
Robinett, R. G., P.O. Box 72, Madrid, IA 50156 / 515-795-2906
Robinson, Don, Pennsylvania Hse, 36 Fairfax Crescent, W Yorkshire, ENGLAND / 0422-364458 donrobinsonuk@yahoo.co.uk www.guns4u2.co.uk
Robinson Armament Co., PO Box 16776, Salt Lake City, UT 84116 / 801-355-0401; FAX: 801-355-0402 zdf@robarm.com www.robarm.com
Robinson Firearms Mfg. Ltd., 1699 Blondeaux Crescent, Kelowna, BC V1Y 4J8 CANADA / 604-868-9596
Robinson H.V. Bullets, 3145 Church St., Zachary, LA 70791 / 504-654-4029
Rochester Lead Works, 76 Anderson Ave., Rochester, NY 14607 / 716-442-8500; FAX: 716-442-4712
Rock River Arms, 101 Noble St., Cleveland, IL 61241
Rockwood Corp., Speedwell Division, 136 Lincoln Blvd., Middlesex, NJ 08846 / 800-243-8274; FAX: 980-560-7475
Rocky Mountain Armoury, Mr. Felix LesMerises, 610 Main Street, P.O. Box 691, Frisco, CO 80443-0691 / 970-668-0136; FAX: 970-668-4484 felix@rockymountainarmoury.com
Rocky Mountain Arms, Inc., 1813 Sunset Pl, Unit D, Longmont, CO 80501 / 800-375-0846; FAX: 303-678-8766
Rocky Mountain Target Co., 3 Aloe Way, Leesburg, FL 34788 / 352-365-9598
Rocky Mountain Wildlife Products, P.O. Box 999, La Porte, CO 80535 / 970-484-2768; FAX: 970-484-0807 critrcall@earthlink.net www.critrcall.com
Rocky Shoes & Boots, 294 Harper St., Nelsonville, OH 45764 / 800-848-9452; or 614-753-1951; FAX: 614-753-4024
Rogue Rifle Co., Inc., 1140 36th St. N., Ste. B, Lewiston, ID 83501 / 208-743-4355; FAX: 208-743-4163
Rogue River Rifleworks, 500 Linne Road #D, Paso Robles, CA 93446 / 805-227-4706; FAX: 805-227-4723 rrrifles@calinet.com
Rohner, Hans, 1148 Twin Sisters Ranch Rd., Nederland, CO 80466-9600
Rohner, John, 186 Virginia Ave, Asheville, NC 28806 / 303-444-3841
Rohrbaugh, P.O. Box 785, Bayport, NY 11705 / 631-363-2843; FAX: 631-363-2681 API380@aol.com
Romain's Custom Guns, Inc., RD 1, Whetstone Rd., Brockport, PA 15823 / 814-265-1948 romwhetstone@penn.com
Ron Frank Custom Classic Arms, 7131 Richland Rd., Ft. Worth, TX 76118 / 817-284-9300; FAX: 817-284-9300 rfrank3974@aol.com
Rooster Laboratories, P.O. Box 414605, Kansas City, MO 64141 / 816-474-1622; FAX: 816-474-7622
Rorschach Precision Products, 417 Keats Cir., Irving, TX 75061 / 214-790-3487
Rosenberg & Son, Jack A., 12229 Cox Ln., Dallas, TX 75234 / 214-241-6302
Ross, Don, 12813 West 83 Terrace, Lenexa, KS 66215 / 913-492-6982
Rosser, Bob, 2809 Crescent Ave., Suite 20, Homewood, AL 35209 / 205-870-4422; FAX: 205-870-4421 www.hand-engravers.com
Rossi Firearms, Gary Mchalik, 16175 NW 49th Ave., Miami, FL 33014-6314 / 305-474-0401; FAX: 305-623-7506
Rottweil Compe, 1330 Glassell, Orange, CA 92667
Roy Baker's Leather Goods, PO Box 893, Magnolia, AR 71754 / 870-234-0344
Royal Arms Gunstocks, 919 8th Ave. NW, Great Falls, MT 59404 / 406-453-1149 royalarms@lmt.net www.lmt.net/~royalarms
Royal Arms International, R J Brill, P.O. Box 6083, Woodland Hills, CA 91365 / 818-704-5110; FAX: 818-887-2059 royalarms.com

MANUFACTURER'S DIRECTORY

Roy's Custom Grips, 793 Mt. Olivet Church Rd., Lynchburg, VA 24504 / 434-993-3470
RPM, 15481 N. Twin Lakes Dr., Tucson, AZ 85739 / 520-825-1233; FAX: 520-825-3333
Rubright Bullets, 1008 S. Quince Rd., Walnutport, PA 18088 / 215-767-1339
Rucker Dist. Inc., P.O. Box 479, Terrell, TX 75160 / 214-563-2094
Ruger (See Sturm, Ruger & Co., Inc.)
Ruger, Chris. See: RUGER'S CUSTOM GUNS
Ruger's Custom Guns, Chris Ruger, 1050 Morton Blvd., Kingston, NY 12401 / 845-336-7106; FAX: 845-336-7106 rugerscustom@outrds.net rugergunsmith.com
Rundell's Gun Shop, 6198 Frances Rd., Clio, MI 48420 / 213-687-0559
Rupert's Gun Shop, 2202 Dick Rd., Suite B, Fenwick, MI 48834 / 517-248-3252 / 1rupert@pathwaynet.com
Russ Haydon's Shooters' Supply, 15018 Goodrich Dr. NW, Gig Harbor, WA 98329 / 877-663-6249; FAX: 253-857-7884 www.shooters-supply.com
Russ, William. See: BILL RUSS TRADING POST
Rustepufe Laboratories, 1319 Jefferson Ave., Sparta, WI 54656 / 608-269-4144; FAX: 608-366-1972 rustepufe@centurytel.net www.rustepufe.com
Rusty Duck Premium Gun Care Products, 7785 Foundation Dr., Suite 6, Florence, KY 41042 / 606-342-5553; FAX: 606-342-5556
Rutgers Book Center, 127 Raritan Ave., Highland Park, NJ 08904 / 732-545-4344; FAX: 732-545-6686 gunbooks@rutgersgunbooks.com www.rutgersgunbooks.com
Rutten (See U.S. Importer-Labanu Inc)
RWS (See U.S. Importer-Dynamit Nobel-RWS, Inc.), 81 Ruckman Rd., Closter, NJ 07624 / 201-767-7971; FAX: 201-767-1589

S

S&K Scope Mounts, RD 2 Box 72E, Sugar Grove, PA 16350 / 814-489-3091; or 800-578-9862; FAX: 814-489-5466 comments@scopemounts.com www.scopemounts.com
S&S Firearms, 74-11 Myrtle Ave., Glendale, NY 11385 / 718-497-1100; FAX: 718-497-1105 info@ssfirearms.com ssfirearms.com
S.A.R.L. G. Granger, 66 cours Fauriel, 42100, Saint Etienne, FRANCE / 04 77 25 14 73; FAX: 04 77 38 66 99
S.C.R.C., P.O. Box 660, Katy, TX 77492-0660 FAX: 281-492-6332
S.D. Meacham, 1070 Angel Ridge, Peck, ID 83545
S.I.A.C.E. (See U.S. Importer-IAR Inc)
Sabatti SPA, Via A Volta 90, 25063 Gandome V.T.(BS), Brescia, ITALY / 030-8912207-831312; FAX: 030-8912059 info@sabatti.it www.sabatti.com
SAECO (See Redding Reloading Equipment)
Safari Arms/Schuetzen Pistol Works, 620-626 Old Pacific Hwy. SE, Olympia, WA 98513 / 360-459-3471; FAX: 360-491-3447 info@yarms.com www.yarms.com
Safari Press, Inc., 15621 Chemical Lane B, Huntington Beach, CA 92649 / 714-894-9080; FAX: 714-894-4949 info@safaripress.com www.safaripress.com
Safariland Ltd., Inc., 3120 E. Mission Blvd., P.O. Box 51478, Ontario, CA 91761 / 909-923-7300; FAX: 909-923-7400
SAFE, PO Box 864, Post Falls, ID 83877 / 208-773-3624; FAX: 208-773-6819 staysafe@safe-llc.com www.safe-llc.com
Safety Speed Holster, Inc., 910 S. Vail Ave., Montebello, CA 90640 / 323-723-4140; FAX: 323-726-6973 e-mail@safetyspeedholster.com www.safetyspeedholster.com
Sako Ltd (See U.S. Importer-Stoeger Industries)
Sam Welch Gun Engraving, Sam Welch, HC 64 Box 2110, Moab, UT 84532 / 435-259-8131
Samco Global Arms, Inc., 6995 NW 43rd St., Miami, FL 33166 / 305-593-9782; FAX: 305-593-1014 samco@samcoglobal.com www.samcoglobal.com
Sampson, Roger, 2316 Mahogany St., Mora, MN 55051 / 612-679-4868
San Marco (See U.S. Importers-Cape Outfitters-EMF)
Sandia Die & Cartridge Co., 37 Atencacio Rd. NE, Albuquerque, NM 87123 / 505-298-5729
Sarco, Inc., 323 Union St., Stirling, NJ 07980 / 908-647-3800; FAX: 908-647-9413
Sarsilmaz Shotguns - Turkey (see B.C. Outdoors)
Sauer (See U.S. Importers-Paul Co., The, Sigarms I
Sauls, R. See: BRYAN & ASSOC.
Saunders Gun & Machine Shop, 145 Delhi Rd, Manchester, IA 52057 / 563-927-4026

Savage Arms (Canada), Inc., 248 Water St., P.O. Box 1240, Lakefield, ON K0L 2H0 CANADA / 705-652-8000; FAX: 705-652-8431 www.savagearms.com
Savage Arms, Inc., 100 Springdale Rd., Westfield, MA 01085 / 413-568-7001; FAX: 413-562-7764
Savage Range Systems, Inc., 100 Springdale Rd., Westfield, MA 01085 / 413-568-7001; FAX: 413-562-1152 snailtraps@savagearms.com www.snailtraps.com
Saville Iron Co. (See Greenwood Precision)
Savino, Barbara J., P.O. Box 51, West Burke, VT 05871-0051
Scansport, Inc., P.O. Box 700, Enfield, NH 03748 / 603-632-7654
Sceery Game Calls, P.O. Box 6520, Sante Fe, NM 87502 / 505-471-9110; FAX: 505-471-3476
Schaefer Shooting Sports, P.O. Box 1515, Melville, NY 11747-0515 / 516-643-5466; FAX: 516-643-2426 robert@robertschaefer.com www.schaefer shooting.com
Scharch Mfg., Inc.-Top Brass, 10325 Co. Rd. 120, Salida, CO 81201 / 719-539-7242; or 800-836-4683; FAX: 719-539-3021 scharch@chaffee.net www.topbraass.tv
Scherer, Liz. See: SCHERER SUPPLIES
Scherer Supplies, Liz Scherer, Box 250, Ewing, VA 24248 FAX: 423-733-2073
Schiffman, Curt, 2938 S. Greenwood, Mesa, AZ 85212
Schiffman, Mike, 8233 S. Crystal Springs, McCammon, ID 83250 / 208-254-9114
Schmidt & Bender, Inc., P.O. Box 134, Meriden, NH 03770 / 603-469-3565; FAX: 603-469-3471 scopes@cyberportal.net www.schmidt bender.com
Schmidtke Group, 17050 W. Salentine Dr., New Berlin, WI 53151-7349
Schneider Bullets, 3655 West 214th St., Fairview Park, OH 44126
Schneider Rifle Barrels, Inc., 1403 W Red Baron Rd., Payson, AZ 85541 / 602-948-2525
Schroeder Bullets, 1421 Thermal Ave., San Diego, CA 92154 / 619-423-3523; FAX: 619-423-8124
Schulz Industries, 16247 Minnesota Ave., Paramount, CA 90723 / 213-439-5903
Schumakers Gun Shop, 512 Prouty Corner Lp. A, Colville, WA 99114 / 509-684-4848
Scope Control, Inc., 5775 Co. Rd. 23 SE, Alexandria, MN 56308 / 612-762-7295
Score High Gunsmithing, 9812-A, Cochiti SE, Albuquerque, NM 087123 / 800-326-5632 or 505-292-5532; FAX: 505-292-2592
Scot Powder, Rt.1 Box 167, McEwen, TN 37101 / 800-416-3006; FAX: 615-729-4211
Scott Fine Guns Inc., Thad, P.O. Box 412, Indianola, MS 38751 / 601-887-5929
Searcy Enterprises, P.O. Box 584, Boron, CA 93596 / 760-762-6771; FAX: 760-762-0191
Second Chance Body Armor, P.O. Box 578, Central Lake, MI 49622 / 616-544-5721; FAX: 616-544-9824
Seebeck Assoc., R.E., P.O. Box 59752, Dallas, TX 75229
Seecamp Co. Inc., L. W., PO Box 255, New Haven, CT 06502 / 203-877-3429; FAX: 203-877-3429
Segway Industries, P.O. Box 783, Suffern, NY 10901-0783 / 914-357-5510
Seigman Shooting Products, Box 133, Seligman, AZ 86337 / 602-422-3607 shootssp@yahoo.com
Sellier & Bellot, USA, Inc., P.O. Box 27006, Shawnee Mission, KS 66225 / 913-685-0916; FAX: 913-685-0917
Selsi Co., Inc., P.O. Box 10, Midland Park, NJ 07432-0010 / 201-935-0388; FAX: 201-935-5851
Semmer, Charles (See Remington Double Shotguns), 7885 Cyd Dr, Denver, CO 80221 / 303-429-6947
Sentinel Arms, P.O. Box 57, Detroit, MI 48231 / 313-331-1951; FAX: 313-331-1456
Servus Footwear Co., 1136 2nd St., Rock Island, IL 61204 / 309-786-7741; FAX: 309-786-9808
Shappy Bullets, 76 Milldale Ave., Plantsville, CT 06479 / 203-621-3704
Sharp Shooter Supply, 4970 Lehman Road, Delphos, OH 45833 / 419-695-3179
Sharps Arms Co., Inc., C., 100 Centennial, Box 885, Big Timber, MT 59011 / 406-932-4353
Shaw, Inc., E. R. (See Small Arms Mfg. Co.)
Shay's Gunsmithing, 931 Marvin Ave., Lebanon, PA 17042
Sheffield Knifemakers Supply, Inc., P.O. Box 741107, Orange City, FL 32774-1107 / 386-775-6453; FAX: 386-774-5754
Sheldon, Bruce. See: RIDGELINE, INC.
Shepherd Enterprises, Inc., Box 189, Waterloo, NE 68069 / 402-779-2424; FAX: 402-779-4010 sshepherd@shepherdscopes.com www.shepherdscopes.com
Sherwood, George, 46 N. River Dr., Roseburg, OR 97470 / 541-672-3159

Shilen, Inc., 205 Metro Park Blvd., Ennis, TX 75119 / 972-875-5318; FAX: 972-875-5402
Shiloh Rifle Mfg., P.O. Box 279, Big Timber, MT 59011
Shockley, Harold H., 204 E. Farmington Rd., Hanna City, IL 61536 / 309-565-4524
Shoot Where You Look, Lebn Measures, Dept GD, 408 Fair, Livingston, TX 77351
Shooters Arms Manufacturing, Inc., Rivergate Mall, Gen. Maxilom Ave., Cebu City 6000, PHILIPPINES / 6332-254-8478 www.shootersarms.com.ph
Shooter's Choice Gun Care, 15050 Berkshire Ind. Pky., Middlefield, OH 44062 / 440-834-8888; FAX: 440-834-3388 www.shooterschoice.com
Shooter's Edge Inc., 3313 Creekstone Dr., Fort Collins, CO 80525
Shooters Supply, 1120 Tieton Dr., Yakima, WA 98902 / 509-452-1181
Shooter's World, 3828 N. 28th Ave., Phoenix, AZ 85017 / 602-266-0170
Shooters, Inc., 5139 Stanart St., Norfolk, VA 23502 / 757-461-9152; FAX: 757-461-9155 gflocker@aol.com
Shootin' Shack, 357 Cypress Drive, No. 10, Tequesta, FL 33469 / 561-842-0990; FAX: 561-545-4861
Shooting Specialties (See Titus, Daniel)
Shooting Star, 1715 FM 1626 Ste 105, Manchaca, TX 78652 / 512-462-0009
Shoot-N-C Targets (See Birchwood Casey)
Shotgun Sports, P.O. Box 6810, Auburn, CA 95604 / 530-889-2220; FAX: 530-889-9106 custsrv@shotgunsportsmagazine.com shotgunsportsmagazine.com
Shotgun Sports Magazine, Dea Shootin' Accessories Ltd., P.O. Box 6810, Auburn, CA 95604 / 916-889-2220 custsrv@shotgunsportsmagazine.com shotgunsportsmagazine.com
Shotguns Unlimited, 2307 Fon Du Lac Rd., Richmond, VA 23229 / 804-752-7115
Siegrist Gun Shop, 8752 Turtle Road, Whittemore, MI 48770 / 989-873-3929
Sierra Bullets, 1400 W. Henry St., Sedalia, MO 65301 / 816-827-6300; FAX: 816-827-6300
Sierra Specialty Prod. Co., 1344 Oakhurst Ave., Los Altos, CA 94024 FAX: 415-965-1536
SIG, CH-8212 Neuhausen, SWITZERLAND
Sigarms, Inc., 18 Industrial Dr., Exeter, NH 03833 / 603-772-2302; FAX: 603-772-9082 www.sigarms.com
Sightron, Inc., 1672B Hwy. 96, Franklinton, NC 27525 / 919-528-8783; FAX: 919-528-0995 info@sightron.com www.sightron.com
SIG-Sauer (See U.S. Importer-Sigarms Inc.)
Silencio/Safety Direct, 56 Coney Island Dr., Sparks, NV 89431 / 800-648-1812 or 702-354-4451; FAX: 702-359-1074
Silent Hunter, 1100 Newton Ave., W. Collingswood, NJ 08107 / 609-854-3276
Silhouette Leathers, P.O. Box 1161, Gunnison, CO 81230 / 970-641-6630 oldshooter@yahoo.com
Silver Eagle Machining, 18007 N. 69th Ave., Glendale, AZ 85308
Silver Ridge Gun Shop (See Goodwin, Fred)
Simmons, Jerry, 715 Middlebury St., Goshen, IN 46528-2717 / 574-533-8546
Simmons Gun Repair, Inc., 700 S. Rogers Rd., Olathe, KS 66062 / 913-782-3131; FAX: 913-782-4189
Simmons Outdoor Corp., 6001 Oak Canyon, Irvine, CA 92618 / 949-451-1450; FAX: 949-451-1460 www.meade.com
Sinclair International, Inc., 2330 Wayne Haven St., Fort Wayne, IN 46803 / 260-493-1858; FAX: 260-493-2530 sales@sinclairintl.com www.sinclairintl.com
Singletary, Kent, 4538 W Carol Ave., Glendale, AZ 85302 / 602-526-6836 kent@kscustom.com www.kscustom.com
Siskiyou Gun Works (See Donnelly, C. P.)
Six Enterprises, 320-D Turtle Creek Ct., San Jose, CA 95125 / 408-999-0201; FAX: 408-999-0216
SKB Shotguns, 4325 S. 120th St., Omaha, NE 68137 / 800-752-2767; FAX: 402-330-8040 skb@skbshotguns.com www.skbshotguns.com
Skeoch, Brian R., P.O. Box 279, Glenrock, WY 82637 / 307-436-9655 brianskeoch@aol.com
Skip's Machine, 364 29 Road, Grand Junction, CO 81501 / 303-245-5417
Sklyan's Machine Shop, 566 Birch Grove Dr., Kalispell, MT 59901 / 406-755-4257
Slezak, Jerome F., 1290 Marlowe, Lakewood (Cleveland), OH 44107 / 216-221-1668
Slug Site, Ozark Wilds, 21300 Hwy. 5, Versailles, MO 65084 / 573-378-6430 john@ebeling.com john.ebeling.com
Small Arms Mfg. Co., 5312 Thoms Run Rd., Bridgeville, PA 15017 / 412-221-4343; FAX: 412-221-4303

MANUFACTURER'S DIRECTORY

- Small Arms Specialists, 443 Firschburg Rd., Mason, NH 03048 / 603-878-0427; FAX: 603-878-3905
miniguns@empire.net miniguns.com
- Small Custom Mould & Bullet Co., Box 17211, Tucson, AZ 85731
- Smart Parts, 1203 Spring St., Latrobe, PA 15650 / 412-539-2660; FAX: 412-539-2298
- Smires, C. L., 5222 Windmill Lane, Columbia, MD 21044-1328
- Smith & Wesson, 2100 Roosevelt Ave., Springfield, MA 01104 / 413-781-8300; FAX: 413-731-9880
- Smith, Art, P.O. Box 645, Park Rapids, MN 56470 / 218-732-5333;
- Smith, Mark A., P.O. Box 182, Sinclair, WY 82334 / 307-324-7929
- Smith, Michael, 2612 Ashmore Ave., Red Bank, TN 37415 / 615-267-8341
- Smith, Ron, 5869 Straley, Ft. Worth, TX 76114 / 817-732-6768
- Smith, Sharmon, 4545 Speas Rd., Fruitland, ID 83619 / 208-452-6329 sharmon@fmmc.com
- Smith Abrasives, Inc., 1700 Sleepy Valley Rd., P.O. Box 5095, Hot Springs, AR 71902-5095 / 501-321-2244; FAX: 501-321-9232
- Smith, Judy. See: L.B.T.
- Smith Saddlery, Jesse W., 0499 County Road J, Pritchett, CO 81064 / 509-325-0622
- Smoky Valley Rifles, E1976 Smokey Valley Rd., Scandinavia, WI 54977 / 715-467-2674
- Snapp's Gunshop, 6911 E. Washington Rd., Clare, MI 48617 / 989-386-9226 snapp@gllccomputers.com
- Sno-Seal, Inc. (See Atsko/Sno-Seal, Inc.)
- Societa Armi Bresciane Srl (See U.S. Importer-Cape SOS Products Co. (See Buck Stix-SOS Products Co.), Box 3, Neenah, WI 54956
- Sotheby's, 1334 York Ave. at 72nd St., New York, NY 10021 / 212-606-7260
- Sound Tech Silencers, Box 391, Pelham, AL 35124 / 205-664-5860 silencio@wmconnect.com
www.soundtechsilencers.com
- South Bend Replicas, Inc., 61650 Oak Rd., South Bend, IN 46614 / 219-289-4500
- Southeastern Community College, 1015 S. Gear Ave., West Burlington, IA 52655 / 319-752-2731
- Southern Ammunition Co., Inc., 4232 Meadow St., Loris, SC 29569-3124 / 803-756-3262; FAX: 803-756-3583
- Southern Bloomer Mfg. Co., P.O. Box 1621, Bristol, TN 37620 / 615-878-6660; FAX: 615-878-8761
- Southern Security, 1700 Oak Hills Dr., Kingston, TN 37763 / 423-376-6297; FAX: 800-251-9992
- Sparks, Milt, 605 E. 44th St. No. 2, Boise, ID 83714-4800
- Spartan-Realtree Products, Inc., 1390 Box Circle, Columbus, GA 31907 / 706-569-9101; FAX: 706-569-0042
- Specialty Gunsmithing, Lynn McMurdo, P.O. Box 404, Afton, WY 83110 / 307-886-5535
- Specialty Shooters Supply, Inc., 3325 Griffin Rd., Suite 9mm, Fort Lauderdale, FL 33317
- Speer Bullets, P.O. Box 856, Lewiston, ID 83501 / 208-746-2351; www.speer-bullets.com
- Spegel, Craig, P.O. Box 387, Nehalem, OR 97131 / 503-368-5653
- Speiser, Fred D., 2229 Dearborn, Missoula, MT 59801 / 406-549-8133
- Spencer Reblue Service, 1820 Tupelo Trail, Holt, MI 48842 / 517-694-7474
- Spencer's Rifle Barrels, Inc., 4107 Jacobs Creek Dr., Scottsville, VA 24590 / 804-293-6836; FAX: 804-293-6836 www.spencerriflebarrels.com
- SPG LLC, P.O. Box 1625, Cody, WY 82414 / 307-587-7621; FAX: 307-587-7695 spg@cody.wtp.net
www.blackpowderspg.com
- Sphinx Systems Ltd., Gesteigtstrasse 12, CH-3800, Matten, BRNE, SWITZERLAND
- Splitfire Sporting Goods, L.L.C., P.O. Box 1044, Orem, UT 84059-1044 / 801-932-7950; FAX: 801-932-7959
www.splitfireguns.com
- Spolar Power Load, Inc., 17376 Filbert, Fontana, CA 92335 / 800-227-9667
- Sport Flite Manufacturing Co., P.O. Box 1082, Bloomfield Hills, MI 48303 / 248-647-3747
- Sporting Clays Of America, 9257 Bluckeye Rd, Sugar Grove, OH 43155-9632 / 740-746-8334; FAX: 740-746-8605
- Sports Afield Magazine, 15621 Chemical Lane B, Huntington Beach, CA 92649 / 714-894-9080; FAX: 714-894-4949
info@sportsafield.com www.sportsafield.com
- Sports Innovations, Inc., P.O. Box 5181, 8505 Jacksboro Hwy., Wichita Falls, TX 76707 / 817-723-6015
- Sportsman Safe Mfg. Co., 6309-6311 Paramount Blvd., Long Beach, CA 90805 / 800-266-7150; or 310-984-5445
- Sportsman's Communicators, 588 Radcliffe Ave., Pacific Palisades, CA 90272 / 800-538-3752
- Sportsmatch U.K. Ltd., 16 Summer St. Leighton, Buzzard Beds, Bedfordshire, LU7 8HT ENGLAND / 4401525-381638; FAX: 4401525-851236
info@sportsmatch-uk.com www.sportsmatch-uk.com
- Sportsmen's Exchange & Western Gun Traders, Inc., 560 S. C St., Oxnard, CA 93030 / 805-483-1917
- Spradlin's, 457 Shannon Rd., Texas Creek/Cotopaxi, CO 81223 / 719-275-7105; FAX: 719-275-3852
spradlins@prodigy.net www.spradlins.net
- Springfield Armory, 420 W. Main St, Geneseo, IL 61254 / 309-944-5631; FAX: 309-944-3676
sales@springfield-armory.com
www.springfieldarmory.com
- Springfield Sporters, Inc., RD 1, Penn Run, PA 15765 / 412-254-2626; FAX: 412-254-9173
- Springfield, Inc., 420 W. Main St, Geneseo, IL 61254 / 309-944-5631; FAX: 309-944-3676
- Spyderco, Inc., 820 Spyderco Way, Golden, CO 80403 / 800-525-7770; or 800-525-7770; FAX: 303-278-2229
sales@spyderco.com www.spyderco.com
- SSK Industries, J. D. Jones, 590 Woodvue Lane, Wintersville, OH 43953 / 740-264-0176; FAX: 740-264-2257
www.sskindustries.com
- Stackpole Books, 5067 Ritter Rd., Mechanicsburg, PA 17055-6921 / 717-796-0411; or 800-732-3669; FAX: 717-796-0412 tmanney@stackpolebooks.com
www.stackpolebooks.com
- Stalker, Inc., P.O. Box 21, Fishermans Wharf Rd., Malakoff, TX 75148 / 903-489-1010
- Stalwart Corporation, P.O. Box 46, Evanston, WY 82931 / 307-789-7687; FAX: 307-789-7688
- Stan Baker Sports, Stan Baker, 10000 Lake City Way, Seattle, WA 98125 / 206-522-4575
- Stan De Treville & Co., 4129 Normal St., San Diego, CA 92103 / 619-298-3393
- Stanley Bullets, 2085 Heatheridge Ln., Reno, NV 89509
- Star Ammunition, Inc., 5520 Rock Hampton Ct., Indianapolis, IN 46268 / 800-221-5927; FAX: 317-872-5847
- Star Custom Bullets, P.O. Box 608, 468 Main St., Ferndale, CA 95536 / 707-786-9140; FAX: 707-786-9117
wmebridge@humboldt.com
- Star Machine Works, P.O. Box 1872, Pioneer, CA 95666 / 209-295-5000
- Starke Bullet Company, P.O. Box 400, 605 6th St. NW, Cooperstown, ND 58425 / 888-797-3431
- Starkey Labs, 6700 Washington Ave. S., Eden Prairie, MN 55344
- Starkey's Gun Shop, 9430 McCombs, El Paso, TX 79924 / 915-751-3030
- Starlight Training Center, Inc., Rt. 1, P.O. Box 88, Bronaugh, MO 64728 / 417-843-3555
- Starline, Inc., 1300 W. Henry St., Sedalia, MO 65301 / 660-827-6640; FAX: 660-827-6650
info@starlinebrass.com http://www.starlinebrass.com
- Starr Trading Co., Jedediah, P.O. Box 2007, Farmington Hills, MI 48333 / 810-683-4343; FAX: 810-683-3282
- Starrett Co., L. S., 121 Crescent St., Athol, MA 01331 / 978-249-3551; FAX: 978-249-8495
- Steelman's Gun Shop, 10465 Beers Rd., Swartz Creek, MI 48473 / 810-735-4884
- Steffens, Ron, 18396 Mariposa Creek Rd., Willits, CA 95490 / 707-485-0873
- Stegall, James B., 26 Forest Rd., Walkkill, NY 12589
- Steve Henigson & Associates, P.O. Box 2726, Culver City, CA 90231 / 310-305-8288; FAX: 310-305-1905
- Steve Kamyk Engraver, 9 Grandview Dr., Westfield, MA 01085-1810 / 413-568-0457 stevek201@attbi.com
- Steven Dodd Hughes, P.O. Box 545, Livingston, MT 59047 / 406-222-9377; FAX: 406-222-9377
- Stevens House of Guns, Rt. 1, Minnesota City, MN 55959 / 507-689-2573
- Stewart Game Calls, Inc., Johnny, P.O. Box 7954, 5100 Fort Ave., Waco, TX 76714 / 817-772-3261; FAX: 817-772-3670
- Stewart's Gunsmithing, P.O. Box 5854, Pietersburg North 0750, Transvaal, SOUTH AFRICA / 01521-89401
- Steyr Mannlicher GmbH & Co KG, Mannlicherstrasse 1, 4400 Steyr, Steyr, AUSTRIA / 0043-7252-896-0; FAX: 0043-7252-78620 office@steyr-mannlicher.com
www.steyr-mannlicher.com
- STI International, 114 Halmar Cove, Georgetown, TX 78628 / 800-959-8201; FAX: 512-819-0465 www.stiguns.com
- Stiles Custom Guns, 76 Cherry Run Rd., Box 1605, Homer City, PA 15748 / 712-479-9945
- Stillwell, Robert, 421 Judith Ann Dr., Schertz, TX 78154
- Stoeger Industries, 17603 Indian Head Hwy., Suite 200, Accokeek, MD 20607-2501 / 301-283-6300; FAX: 301-283-6986 www.stoegerindustries.com
- Stoeger Publishing Co. (See Stoeger Industries)
- Stone Enterprises Ltd., 426 Harveys Neck Rd., P.O. Box 335, Wicomico Church, VA 22579 / 804-580-5114; FAX: 804-580-8421
- Stone Mountain Arms, 5988 Peachtree Corners E., Norcross, GA 30071 / 800-251-9412
- Stoney Point Products, Inc., P.O. Box 234, 1822 N Minnesota St., New Ulm, MN 56073-0234 / 507-354-3360; FAX: 507-354-7236 stoney@newulmtel.net
www.stoneypoint.com
- Storm, Gary, P.O. Box 5211, Richardson, TX 75083 / 214-385-0862
- Stott's Creek Armory, Inc., 2526 S. 475W, Morgantown, IN 46160 / 317-878-5489; FAX: 317-878-9489
sccalendar@aol.com www.Sccalendar.aol.com
- Stratco, Inc., P.O. Box 2270, Kalispell, MT 59901 / 406-755-1221; FAX: 406-755-1226
- Strayer, Sandy. See: STRAYER-VOIGT, INC.
- Strayer-Voigt, Inc., Sandy Strayer, 3435 Ray Orr Blvd, Grand Prairie, TX 75050 / 972-513-0575
- Strong Holster Co., 39 Grove St., Gloucester, MA 01930 / 508-281-3300; FAX: 508-281-6321
- Strutz Rifle Barrels, Inc., W. C., P.O. Box 611, Eagle River, WI 54521 / 715-479-4766
- Stuart, V. Pat, Rt. 1, Box 447-S, Greenville, VA 24440 / 804-556-3845
- Sturgeon Valley Sporters, Ken Ide, P.O. Box 283, Vanderbilt, MI 49795 / 517-983-4338 k.ide@mail.com
- Sturm Ruger & Co. Inc., 200 Ruger Rd., Prescott, AZ 86301 / 928-541-8820; FAX: 520-541-8850 www.ruger.com
- "Su-Press-On", Inc., P.O. Box 09161, Detroit, MI 48209 / 313-842-4222
- Sullivan, David S. (See Westwind Rifles, Inc.)
- Sun Welding Safe Co., 290 Easy St. No.3, Simi Valley, CA 93065 / 805-584-6678; or 800-729-SAFE; FAX: 805-584-6169 sunwelding.com
- Sunny Hill Enterprises, Inc., W1790 Cty. HHH, Malone, WI 53049 / 920-795-4722; FAX: 920-795-4822
- Super 6 LLC, Gary Knopp, 3806 W. Lisbon Ave., Milwaukee, WI 53208 / 414-344-3343; FAX: 414-344-0304
- Sure-Shot Game Calls, Inc., P.O. Box 816, 6835 Capitol, Groves, TX 77619 / 409-962-1636; FAX: 409-962-5465
- Svon Corp., 2107 W. Blue Heron Blvd., Riviera Beach, FL 33404 / 508-881-8852
- Swann, D. J., 5 Orsova Close, Eltham North Vic., 3095 AUSTRALIA / 03-431-0323
- Swann'dri New Zealand, 152 Elm Ave., Burlingame, CA 94010 / 415-347-6158
- Swanson, Mark, 975 Heap Avenue, Prescott, AZ 86301 / 928-778-4423
- Swarovski Optik North America Ltd., 2 Slater Rd., Cranston, RI 02920 / 401-946-2220; or 800-426-3089; FAX: 401-946-2587
- Sweet Home, Inc., P.O. Box 900, Orrville, OH 44667-0900
- Swenson's 45 Shop, A. D., 3839 Ladera Vista Rd, Fallbrook, CA 92028-9431
- Swift Bullet Co., P.O. Box 27, 201 Main St., Quinter, KS 67752 / 913-754-3959; FAX: 913-754-2359
- Swift Instruments, Inc., 952 Dorchester Ave., Boston, MA 02125 / 617-436-2960; FAX: 617-436-3232
- Swift River Gunworks, 450 State St., Belchertown, MA 01007 / 413-323-4052
- Szweda, Robert (See RMS Custom Gunsmithing)

T

- T&S Industries, Inc., 1027 Skyview Dr., W. Carrollton, OH 45449 / 513-859-8414
- T.F.C. S.p.A., Via G. Marconi 118, B. Villa Carcina 25069, ITALY / 030-881271; FAX: 030-881826
- T.G. Faust, Inc., 544 Minor St., Reading, PA 19602 / 610-375-8549; FAX: 610-375-4488
- T.K. Lee Co., 1282 Branchwater Ln., Birmingham, AL 35216 / 205-913-5222 odonmich@aol.com
www.scopedot.com
- T.W. Menck Gunsmith, Inc., 5703 S. 77th St., Ralston, NE 68127 gunttools@cox.net
http://lwwww.members.cox.net/gunttools
- Tabler Marketing, 2554 Lincoln Blvd., Suite 555, Marina Del Rey, CA 90291 / 818-755-4565; FAX: 818-755-0972
- Taconic Firearms Ltd., Perry Lane, P.O. Box 553, Cambridge, NY 12816 / 518-677-2704; FAX: 518-677-5974
- Tactical Defense Institute, 2174 Bethany Ridges, West Union, OH 45693 / 937-544-7228; FAX: 937-544-2887
tdiohio@dragonnbs.com www.tdiohio.com

MANUFACTURER'S DIRECTORY

- Talley, Dave, P.O. Box 821, Glenrock, WY 82637 / 307-436-8724; or 307-436-9315
- Talon Industries Inc. (See Cobra Enterprises, Inc.)
- Tamarack Products, Inc., P.O. Box 625, Wauconda, IL 60084 / 708-526-9333; FAX: 708-526-9353
- Tanfoglio Fratelli S.r.l., via Valtrompia 39, 41, Brescia, ITALY / 30-8910361; FAX: 30-8910183
- Tanglefree Industries, 1261 Heavenly Dr., Martinez, CA 94553 / 800-982-4868; FAX: 510-825-3874
- Tank's Rifle Shop, P.O. Box 474, Fremont, NE 68026-0474 / 402-727-1317 / tjank@tanksrifleshop.com www.tanksrifleshop.com
- Tanner (See U.S. Importer-Mandall Shooting Supply)
- Taracorp Industries, Inc., 1200 Sixteenth St., Granite City, IL 62040 / 618-451-4400
- Target Shooting, Inc., P.O. Box 773, Watertown, SD 57201 / 605-882-6955; FAX: 605-882-8840
- Tar-Hunt Custom Rifles, Inc., 101 Dogtown Rd., Bloomsburg, PA 17815 / 570-784-6368; FAX: 570-389-9150 www.tar-hunt.com
- Tarnhelm Supply Co., Inc., 431 High St., Boscawen, NH 03303 / 603-796-2551; FAX: 603-796-2918 info@tarnhelm.com www.tarnhelm.com
- Tasco Sales, Inc., 2889 Commerce Pky., Miramar, FL 33025
- Taurus Firearms, Inc., 16175 NW 49th Ave., Miami, FL 33014 / 305-624-1115; FAX: 305-623-7506
- Taurus International Firearms (See U.S. Importer)
- Taurus S.A. Forjas, Avenida Do Forte 511, Porto Alegre, RS BRAZIL 91360 / 55-51-347-4050; FAX: 55-51-347-3065
- Taylor & Robbins, P.O. Box 164, Rixford, PA 16745 / 814-966-3233
- Taylor's & Co., Inc., 304 Lenoir Dr., Winchester, VA 22603 / 540-722-2017; FAX: 540-722-2018
- TCCI, P.O. Box 302, Phoenix, AZ 85001 / 602-237-3823; FAX: 602-237-3858
- TCSR, 3998 Hoffman Rd., White Bear Lake, MN 55110-4626 / 800-328-5323; FAX: 612-429-0526
- TDP Industries, Inc., P.O. Box 249, Ottsville, PA 18942-0249 / 215-345-8687; FAX: 215-345-6057
- Techno Arms (See U.S. Importer- Auto-Ordinance Corp Tecnolegno S.p.A., Via A. Locatelli, 6 10, 24019 Zogno, I ITALY / 0345-55111; FAX: 0345-55155
- Ted Blocker Holsters, Inc., 9396 S.W. Tigard St., Tigard, OR 97223 / 800-650-9742; FAX: 503-670-9692 www.tedblocker.com
- Tele-Optics, 630 E. Rockland Rd., P.O. Box 6313, Libertyville, IL 60048 / 847-362-7757; FAX: 847-362-7757
- Tennessee Valley Mfg., 14 County Road 521, Corinth, MS 38834 / 601-286-5014 tvmm@avsia.com www.avsia.com/tvm
- Ten-Ring Precision, Inc., Alex B. Hamilton, 1449 Blue Crest Lane, San Antonio, TX 78232 / 210-494-3063; FAX: 210-494-3066
- TEN-X Products Group, 1905 N Main St, Suite 133, Cleburne, TX 76031-1305 / 972-243-4016; or 800-433-2225; FAX: 972-243-4112
- Tepeco, P.O. Box 342, Friendswood, TX 77546 / 713-482-2702
- Terry K. Kopp Professional Gunsmithing, Rt 1 Box 224, Lexington, MO 64067 / 816-259-2636
- Testing Systems, Inc., 220 Pegasus Ave., Northvale, NJ 07647
- Tetra Gun Care, 8 Vreeland Rd., Florham Park, NJ 07932 / 973-443-0004; FAX: 973-443-0263
- Tex Shoemaker & Sons, Inc., 714 W. Cienega Ave., San Dimas, CA 91773 / 909-592-2071; FAX: 909-592-2378 texshoemaker@texshoemaker.com www.texshoemaker.com
- Texas Armory (See Bond Arms, Inc.)
- Texas Platers Supply Co., 2453 W. Five Mile Parkway, Dallas, TX 75233 / 214-330-7168
- Thad Rybka Custom Leather Equipment, 2050 Canoe Creek Rd., Springvale, AL 35146-6709
- Thad Scott Fine Guns, Inc., P.O. Box 412, Indianola, MS 38751 / 601-887-5929
- The A.W. Peterson Gun Shop, Inc., 4255 West Old U.S. 441, Mount Dora, FL 32757-3299 / 352-383-4258
- The Accuracy Den, 25 Bitterbrush Rd., Reno, NV 89523 / 702-345-0225
- The Ballistic Program Co., Inc., 2417 N. Patterson St., Thomasville, GA 31792 / 912-228-5739 or 800-368-0835
- The BulletMakers Workshop, RFD 1 Box 1755, Brooks, ME 04921
- The Competitive Pistol Shop, 5233 Palmer Dr., Ft. Worth, TX 76117-2433 / 817-834-8479
- The Concealment Shop, Inc., 3550 E. Hwy. 80, Mesquite, TX 75149 / 972-289-8997; or 800-444-7090; FAX: 972-289-4410 info@theconcealmentshop.com www.theconcealmentshop.com
- The Country Armourer, P.O. Box 308, Ashby, MA 01431-0308 / 508-827-6797; FAX: 508-827-4845
- The Creative Craftsman, Inc., 95 Highway 29 North, P.O. Box 331, Lawrenceville, GA 30246 / 404-963-2112; FAX: 404-513-9488
- The Custom Shop, 890 Cochrane Crescent, Peterborough, ON K9H 5N3 CANADA / 705-742-6693
- The Ensign-Bickford Co., 660 Hopmeadow St., Simsbury, CT 06070
- The Firearm Training Center, 9555 Blandville Rd., West Paducah, KY 42086 / 502-554-5886
- The Fouling Shot, 6465 Parfet St., Arvada, CO 80004
- The Gun Doctor, 435 East Maple, Roselle, IL 60172 / 708-894-0668
- The Gun Room, 1121 Burlington, Muncie, IN 47302 / 765-282-9073; FAX: 765-282-5270 bshstleguns@aol.com
- The Gun Room Press, 127 Raritan Ave., Highland Park, NJ 08904 / 732-545-4344; FAX: 732-545-6686 gunbooks@rutgersgunbooks.com www.rutgersgunbooks.com
- The Gun Shop, 62278 Spring Creek Rd., Montrose, CO 81401
- The Gun Shop, 5550 S. 900 East, Salt Lake City, UT 84117 / 801-263-3633
- The Gun Works, 247 S. 2nd St., Springfield, OR 97477 / 541-741-4118; FAX: 541-988-1097 gunworks@worldnet.att.net www.thegunworks.com
- The Gunsight, 1712 North Placentia Ave., Fullerton, CA 92631
- The Hanned Line, 4463 Madoc Way, San Jose, CA 95130 smith@hanned.com www.hanned.com
- The Hawken Shop, P.O. Box 593, Oak Harbor, WA 98277 / 206-679-4657; FAX: 206-675-1114
- The Keller Co., P.O. Box 4057, Port Angeles, WA 98363-0997 / 214-770-8585
- The Lewis Lead Remover (See LEM Gun Specialties)
- The Midwest Shooting School, Pat LaBoone, 2550 Hwy. 23, Wrenshall, MN 55797 / 218-384-3670 shootingsschool@starband.net
- The Ngraver Co., 67 Wawecus Hill Rd., Bozrah, CT 06334 / 860-823-1533; FAX: 860-887-6252 ngraver98@aol.com www.ngraver.com
- The Ordnance Works, 2969 Pidgeon Point Road, Eureka, CA 95501 / 707-443-3252
- The Orvis Co., Rt. 7, Manchester, VT 05254 / 802-362-3622; FAX: 802-362-3525
- The Outdoor Connection, Inc., 7901 Panther Way, Waco, TX 76712-6556 / 800-533-6076 or 254-772-5575; FAX: 254-776-3553 floyd@outdoorconnection.com www.outdoorconnection.com
- The Park Rifle Co., Ltd., Unit 6a Dartford Trade Park, Power Mill Lane, Dartford DA7 7NX, ENGLAND / 011-0322-222512
- The Paul Co., 27385 Pressonville Rd., Wellsville, KS 66092 / 785-883-4444; FAX: 785-883-2525
- The Protector Mfg. Co., Inc., 443 Ashwood Place, Boca Raton, FL 33431 / 407-394-6011
- The Robar Co., Inc., 21438 N. 7th Ave., Suite B, Phoenix, AZ 85027 / 623-581-2648; FAX: 623-582-0059 info@robarguns.com www.robarguns.com
- The School of Gunsmithing, 6065 Roswell Rd., Atlanta, GA 30328 / 800-223-4542
- The Shooting Gallery, 8070 Southern Blvd., Boardman, OH 44512 / 216-726-7788
- The Sight Shop, John G. Lawson, 1802 E. Columbia Ave., Tacoma, WA 98404 / 253-474-5465 parahellum9@aol.com www.thesightshop.org
- The Southern Armory, 25 Millstone Road, Woodlawn, VA 24381 / 703-238-1343; FAX: 703-238-1453
- The Surecase Co., 233 Wilshire Blvd., Ste. 900, Santa Monica, CA 90401 / 800-92ARMLOC
- The Swampfire Shop (See Peterson Gun Shop, Inc.)
- The Wilson Arms Co., 63 Leetes Island Rd., Branford, CT 06405 / 203-488-7297; FAX: 203-488-0135
- Theis, Terry, 21452 FM 2093, Harper, TX 78631 / 830-864-4438
- Thiewes, George W., 14329 W. Parada Dr., Sun City West, AZ 85375
- Things Unlimited, 235 N. Kimbau, Casper, WY 82601 / 307-234-5277
- Thirion Gun Engraving, Denise, PO Box 408, Graton, CA 95444 / 707-829-1876
- Thomas, Charles C., 2600 S. First St., Springfield, IL 62704 / 217-789-8980; FAX: 217-789-9130 books@ccthomas.com ccthomas.com
- Thompson Bullet Lube Co., P.O. Box 409, Wills Point, TX 75169 / 866-476-1500; FAX: 866-476-1500 thompsonbulletlube.com www.thompsonbulletlube.com
- Thompson Precision, 110 Mary St., P.O. Box 251, Warren, IL 61087 / 815-745-3625
- Thompson, Randall. See: HIGHLINE MACHINE CO.
- Thompson Target Technology, 4804 Sherman Church Ave. S.W., Canton, OH 44710 / 330-484-6480; FAX: 330-491-1087 www.thompsonstarget.com
- Thompson Tool Mount, 1550 Solomon Rd., Santa Maria, CA 93455 / 805-934-1281 ttm@pronet.net www.thompsonstoolmount.com
- Thompson/Center Arms, P.O. Box 5002, Rochester, NH 03866 / 603-332-2394; FAX: 603-332-5133 tech@tcarms.com www.tcarsms.com
- 3-Ten Corp., P.O. Box 269, Feeding Hills, MA 01030 / 413-789-2086; FAX: 413-789-1549
- Thunden Ranch, HCR 1, Box 53, Mt. Home, TX 78058 / 830-640-3138
- Thurston Sports, Inc., RD 3 Donovan Rd., Auburn, NY 13021 / 315-253-0966
- Tiger-Hunt Gunstocks, Box 379, Beaverdale, PA 15921 / 814-472-5161 tigerhunt4@aol.com www.gunstockwood.com
- Tikka (See U.S. Importer-Stoeger Industries)
- Time Precision, 4 Nicholas Sq., New Milford, CT 06776-3506 / 203-775-8343
- Tinks & Ben Lee Hunting Products (See Wellington)
- Tink's SafariLand Hunting Corp., P.O. Box 244, 1140 Monticello Rd., Madison, GA 30650 / 706-342-4915; FAX: 706-342-7568
- Tioga Engineering Co., Inc., P.O. Box 913, 13 Cone St., Wellsboro, PA 16901 / 570-724-3533; FAX: 570-724-3895 tiogaeng@epix.net
- Tippman Pneumatics, Inc., 2955 Adams Center Rd., Fort Wayne, IN 46803
- Tirelli, Snc Di Tirelli Primo E.C., Via Matteotti No. 359, Gardone V.T. Brescia, I ITALY / 030-8912819; FAX: 030-832240
- TM Stockworks, 6355 Maplecrest Rd., Fort Wayne, IN 46835 / 219-485-5389
- TMI Products (See Haselbauer Products, Jerry)
- Tom Forrest, Inc., P.O. Box 326, Lakeside, CA 92040 / 619-561-5800; FAX: 888-GUN-CLIP info@gunmag.com www.gunmags.com
- Tombstone Smoke 'n' Deals, PO Box 31298, Phoenix, AZ 85046 / 602-905-7013; FAX: 602-443-1998
- Tom's Gun Repair, Thomas G. Ivanoff, 76-6 Rt. Southfork Rd., Cody, WY 82414 / 307-587-6949
- Tom's Gunshop, 3601 Central Ave., Hot Springs, AR 71913 / 501-624-3856
- Tonoloway Tack Drives, HCR 81, Box 100, Needmore, PA 17238
- Torel, Inc., 1708 N. South St., P.O. Box 592, Yoakum, TX 77995 / 512-293-2341; FAX: 512-293-3413
- TOZ (See U.S. Importer-Nygodor Precision Products)
- Track of the Wolf, Inc., 18308 Joplin St. NW, Elk River, MN 55330-1773 / 763-633-2500; FAX: 763-633-2550
- Traditions Performance Firearms, P.O. Box 776, 1375 Boston Post Rd., Old Saybrook, CT 06475 / 860-388-4656; FAX: 860-388-4657 info@traditionsfirearms.com www.traditionsfirearms.com
- Trafalgar Square, P.O. Box 257, N. Pomfret, VT 05053 / 802-457-1911
- Trail Visions, 5800 N. Ames Terrace, Glendale, WI 53209 / 414-228-1328
- Trax America, Inc., PO Box 898, 1150 Eldridge, Forrest City, AR 72335 / 870-633-0410; or 800-232-2327; FAX: 870-633-4788 trax@ipa.net www.traxamerica.com
- Treadlok Gun Safe, Inc., 1764 Granby St. NE, Roanoke, VA 24012 / 800-729-8732; or 703-982-6881; FAX: 703-982-1059
- Treemaster, P.O. Box 247, Guntersville, AL 35976 / 205-878-3597
- Trevallion Gunstocks, 9 Old Mountain Rd., Cape Neddick, ME 03902 / 207-361-1130
- Trico Plastics, 28061 Diaz Rd., Temecula, CA 92590 / 909-676-7714; FAX: 909-676-0267 ustinfo@ustplastics.com www.tricoplastics.com
- Trigger Lock Division / Central Specialties Ltd., 220-D Exchange Dr., Crystal Lake, IL 60014 / 847-639-3900; FAX: 847-639-3972
- Trijicon, Inc., 49385 Shafer Ave., P.O. Box 930059, Wixom, MI 48393-0059 / 248-960-7700 or 800-338-0563
- Tribby Sport Shop, 1623 Hagley Rd., Toledo, OH 43612-2024 / 419-472-6222
- Trilux, Inc., P.O. Box 24608, Winston-Salem, NC 27114 / 910-659-9438; FAX: 910-768-7720

MANUFACTURER'S DIRECTORY

Trinidad St. Jr. Col. Gunsmith Dept., 600 Prospect St., Trinidad, CO 81082 / 719-846-5631; FAX: 719-846-5667

Triple-K Mfg. Co., Inc., 2222 Commercial St., San Diego, CA 92113 / 619-232-2066; FAX: 619-232-7675
sales@triplek.com www.triplek.com

Tristar Sporting Arms, Ltd., 1814 Linn St. #16, N. Kansas City, MO 64116-3627 / 816-421-1400; FAX: 816-421-4182 tristar@blitz-it.net
www.tristarsportingarms.com

Trius Traps, Inc., P.O. Box 25, 221 S. Miami Ave., Cleves, OH 45002 / 513-941-5682; FAX: 513-941-7970
trius@fuse.net www.triustraps.com

Trooper Walsh, 2393 N. Edgewood St., Arlington, VA 22207

Trotman, Ken, 135 Ditton Walk, Unit 11, Cambridge, CB5 8PY ENGLAND / 01223-211030; FAX: 01223-212317
www.kentrolman.com

Tru-Balance Knife Co., P.O. Box 140555, Grand Rapids, MI 49514 / 616-647-1215

True Flight Bullet Co., 5581 Roosevelt St., Whitehall, PA 18052 / 610-262-7630; FAX: 610-262-7806

Truglo, Inc., P.O. Box 1612, McKinna, TX 75070 / 972-774-0300; FAX: 972-774-0323
www.truglosights.com

Trulock Tool, P.O. Box 530, Whigham, GA 31797 / 229-762-4678; FAX: 229-762-4050
trulockchokes@hotmail.com trulockchokes.com

Tru-Square Metal Products, Inc., 640 First St. SW, P.O. Box 585, Auburn, WA 98071 / 253-833-2310; or 800-225-1017; FAX: 253-833-2349
t-tumbler@qwest.net

Tucker, James C., P.O. Box 366, Medford, OR 97501 / 541-245-3887 jctstocker@yahoo.com

Tucson Mold, Inc., 930 S. Plumer Ave., Tucson, AZ 85719 / 520-792-1075; FAX: 520-792-1075

Turk's Head Productions, Mustafa Bilal, 908 NW 50th St., Seattle, WA 98107-3634 / 206-782-4164; FAX: 206-783-5677 info@turkshead.com
www.turkshead.com

Turnbull Restoration, Doug, 6680 Rt. 5 & 20, P.O. Box 471, Bloomfield, NY 14469 / 585-657-6338; FAX: 585-657-6338 turnbullrest@mindspring.com
www.turnbullrestoration.com

Tuttle, Dale, 4046 Russell Rd., Muskegon, MI 49445 / 616-766-2250

Tyler Manufacturing & Distributing, 3804 S. Eastern, Oklahoma City, OK 73129 / 405-677-1487; or 800-654-8415

U

U.S. Fire Arms Mfg. Co., Inc., 55 Van Dyke Ave., Hartford, CT 06106 / 877-227-6901; FAX: 800-644-7265
usfirearms.com

U.S. Importer-Wm. Larkin Moore, 8430 E. Raintree Ste. B-7, Scottsdale, AZ 85260

U.S. Optics, A Division of Zeitz Optics U.S.A., 5900 Dale St., Buena Park, CA 90621 / 714-994-4901; FAX: 714-994-4904 www.usoptics.com

U.S. Repeating Arms Co., Inc., 275 Winchester Ave., Morgan, UT 84050-9333 / 801-876-3440; FAX: 801-876-3737
www.winchester-guns.com

U.S. Tactical Systems (See Keng's Firearms Specialty)

Ugartechea S. A., Ignacio, Chonta 26, Eibar, SPAIN / 43-121257; FAX: 43-121669

Ultra Dot Distribution, P.O. Box 362, 6304 Riverside Dr., Yankeetown, FL 34498 / 352-447-2255; FAX: 352-447-2266

Ultralux (See U.S. Importer-Keng's Firearms)

UltraSport Arms, Inc., 1955 Norwood Ct., Racine, WI 53403 / 414-554-3237; FAX: 414-554-9731

Uncle Bud's, HCR 81, Box 100, Needmore, PA 17238 / 717-294-6000; FAX: 717-294-6005

Uncle Mike's (See Michaels of Oregon Co.)

Unertl Optical Co., Inc., 103 Grand Avenue, P.O. Box 895, Mars, PA 16046-0895 / 724-625-3810; FAX: 724-625-3819 unertl@nauticom.net
www.unertloptics.net

Unique/M.A.P.F., 10 Les Allees, 64700, Hendaye, FRANCE / 33-59 20 71 93

UniTec, 1250 Bedford SW, Canton, OH 44710 / 216-452-4017

United Binocular Co., 9043 S. Western Ave., Chicago, IL 60620

United Cutlery Corp., 1425 United Blvd., Sevierville, TN 37876 / 865-428-2532; or 800-548-0835; FAX: 865-428-2267

United States Products Co., 518 Melwood Ave., Pittsburgh, PA 15213-1136 / 412-621-2130; FAX: 412-621-8740
sales@us-products.com www.us-products.com

Universal Sports, P.O. Box 532, Vincennes, IN 47591 / 812-882-8680; FAX: 812-882-8680

Upper Missouri Trading Co., P.O. Box 100, 304 Harold St., Crofton, NE 68730-0100 / 402-388-4844

USAC, 4500-15th St. East, Tacoma, WA 98424 / 206-922-7589

Uselton/Arms, Inc., 842 Conference Dr., Goodlettsville, TN 37072 / 615-851-4919

Utica Cutlery Co., 820 Noyes St., Utica, NY 13503 / 315-733-4663; FAX: 315-733-6602

V

V.H. Blackinton & Co., Inc., 221 John L. Dietsch, Attleboro Falls, MA 02763-0300 / 508-699-4436; FAX: 508-695-5349

Valdada Enterprises, P.O. Box 773122, 31733 County Road 35, Steamboat Springs, CO 80477 / 970-879-2983; FAX: 970-879-0851 www.valdada.com

Valtro USA, Inc., 1281 Andersen Dr., San Rafael, CA 94901 / 415-256-2575; FAX: 415-256-2576

VAM Distribution Co. LLC, 1141-B Mechanicsburg Rd., Wooster, OH 44691 www.rex10.com

Van Gorden & Son Inc., C. S., 1815 Main St., Bloomer, WI 54724 / 715-568-2612

Van Horn, Gil, P.O. Box 207, Llano, CA 93544

Van Patten, J. W., P.O. Box 145, Foster Hill, Milford, PA 18337 / 717-296-7069

Vann Custom Bullets, 2766 N. Willowside Way, Meridian, ID 83642

Van's Gunsmith Service, 224 Route 69-A, Parish, NY 13131 / 315-625-7251

Varmint Masters, LLC, Rick Vecqueray, P.O. Box 6724, Bend, OR 97708 / 541-318-7306; FAX: 541-318-7306
varmintmasters@bendcable.com
www.varmintmasters.net

Vecqueray, Rick. See: VARMIN T MASTERS, LLC

Vega Tool Co., c/o T.R. Ross, 4865 Tanglewood Ct., Boulder, CO 80301 / 303-530-0174 clanlaird@aol.com
www.vegatool.com

Vektor USA, Mikael Danforth, 5139 Stanart St., Norfolk, VA 23502 / 888-740-0837; or 757-455-8895; FAX: 757-461-9155

Venco Industries, Inc. (See Shooter's Choice Gun Care)

Venus Industries, P.O. Box 246, Siakot-1, PAKISTAN FAX: 92 432 85579

Verney-Carron, BP 72-54 Boulevard Thiers, 42002 St Etienne Cedex 1, St Etienne Cedex 1, FRANCE / 33-477791500; FAX: 33-477790702 email@verney-carron.com
www.verney-carron.com

Vest, John, 1923 NE 7th St., Redmond, OR 97756 / 541-923-8898

VibraShine, Inc., P.O. Box 577, Taylorsville, MS 39168 / 601-785-9854; FAX: 601-785-9874
rdbekeivibrashine.com www.vibrashine.com

Vibra-Tek Co., 1844 Arroyo Rd., Colorado Springs, CO 80906 / 719-634-8611; FAX: 719-634-6886

Vic's Gun Refinishing, 6 Pineview Dr., Dover, NH 03820-6422 / 603-742-0013

Victory Ammunition, P.O. Box 1022, Milford, PA 18337 / 717-296-5768; FAX: 717-296-9298

Victory USA, P.O. Box 1021, Pine Bush, NY 12566 / 914-744-2060; FAX: 914-744-5181

Vihavuori Oy, FIN-41330 Vihavuori, FINLAND, / 358-41-3779211; FAX: 358-41-3771643

Vihavuori Oy/Kaltron-Pettibone, 1241 Ellis St., Bensenville, IL 60106 / 708-350-1116; FAX: 708-350-1606

Viking Video Productions, P.O. Box 251, Roseburg, OR 97470

Village Restorations & Consulting, Inc., P.O. Box 569, Claysburg, PA 16625 / 814-239-8200; FAX: 814-239-2165 www.villagerestoration@yahoo.com

Vincent's Shop, 210 Antoinette, Fairbanks, AK 99701

Vintage Industries, Inc., 2772 Depot St., Sanford, FL 32773

Viper Bullet and Brass Works, 11 Brock St., Box 582, Norwich, ON N0J 1P0 CANADA

Viramontez Engraving, Ray Viramontez, 601 Springfield Dr., Albany, GA 31721 / 229-432-9683 sgtvira@aol.com

Viramontez, Ray. See: VIRAMONTEZ ENGRAVING

Virgin Valley Custom Guns, 450 E 800 N #20, Hurricane, UT 84737 / 435-635-8941; FAX: 435-635-8943
vvcguns@infowest.com www.virginvalleyguns.com

Visible Impact Targets, Rts. 5 & 20, E. Bloomfield, NY 14443 / 716-657-6161; FAX: 716-657-5405

Vitt/Boos, 1195 Buck Hill Rd., Townshend, VT 05353 / 802-365-9232

Voere-KGH GmbH, Untere Sparchen 56, A-6330 Kufstein, Tirol, AUSTRIA / 0043-5372-62547; FAX: 0043-5372-65752 voere@aon.com www.voere.com

Volquartsen Custom Ltd., 24276 240th Street, PO Box 397, Carroll, IA 51401 / 712-792-4238; FAX: 712-792-2542
vcl@netins.net www.volquartsen.com

Vorhes, David, 3042 Beecham St., Napa, CA 94558 / 707-226-9116; FAX: 707-253-7334

VSP Publishers (See Heritage/VSP Gun Books), P.O. Box 887, McCall, ID 83638 / 208-634-4104; FAX: 208-634-3101 heritage@gunbooks.com
www.gunbooks.com

VTI Gun Parts, P.O. Box 509, Lakeville, CT 06039 / 860-435-8068; FAX: 860-435-8146
mail@vtigunparts.com www.vtigunparts.com

Vulpes Ventures, Inc., Fox Cartridge Division, P.O. Box 1363, Bolingbrook, IL 60440-7363 / 630-759-1229

W

W. Square Enterprises, 9826 Sagedale Dr., Houston, TX 77089 / 281-484-0935; FAX: 281-464-9940
lfdw@pdq.net www.loadammo.com

W. Waller & Son, Inc., 2221 Stoney Brook Rd., Grantham, NH 03753-7706 / 603-863-4177 www.wallerandson.com

W.B. Niemi Engineering, Box 126 Center Road, Greensboro, VT 05841 / 802-533-7180 or 802-533-7141

W.C. Wolff Co., P.O. Box 458, Newtown Square, PA 19073 / 610-359-9600; or 800-545-0077; mail@gunsprings.com
www.gunsprings.com

W.E. Birdsong & Assoc., 1435 Monterey Rd., Florence, MS 39073-9748 / 601-366-8270

W.E. Brownell Checking Tools, 9390 Twin Mountain Cir., San Diego, CA 92126 / 858-695-2479; FAX: 858-695-2479

W.J. Riebe Co., 3434 Tucker Rd., Boise, ID 83703

W.R. Case & Sons Cutlery Co., Owens Way, Bradford, PA 16701 / 814-368-4123; or 800-523-6350; FAX: 814-368-1736 jsullivan@wrcase.com www.wrcase.com

Wagoner, Vernon G., 2325 E. Encanto St., Mesa, AZ 85213-5917 / 480-835-1307

Wakina by Pic, 24813 Alderbrook Dr., Santa Clarita, CA 91321 / 800-295-8194

Waldron, Herman, Box 475, 80 N. 17th St., Pomeroy, WA 99347 / 509-843-1404

Walker Arms Co., Inc., 499 County Rd. 820, Selma, AL 36701 / 334-872-6231; FAX: 334-872-6262

Wallace, Terry, 385 San Marino, Vallejo, CA 94589 / 707-642-7041

Walls Industries, Inc., P.O. Box 98, 1905 N. Main, Cleburne, TX 76033 / 817-645-4366; FAX: 817-645-7946
www.wallsoutdoors.com

Walters Industries, 6226 Park Lane, Dallas, TX 75225 / 214-691-6973

Walters, John. See: WALTERS WADS

Walters Wads, John Walters, 500 N. Avery Dr., Moore, OK 73160 / 405-799-0376; FAX: 405-799-7727
www.tinwadman@cs.com

Walther America, P.O. Box 22, Springfield, MA 01102 / 413-747-3443 www.walther-usa.com

Walther GmbH, Carl, B.P. 4325, D-89033 Ulm, GERMANY

Walt's Custom Leather, Walt Whinnery, 1947 Meadow Creek Dr., Louisville, KY 40218 / 502-458-4361

WAMCO-New Mexico, P.O. Box 205, Peralta, NM 87042-0205 / 505-869-0826

Ward & Van Valkenburg, 114 32nd Ave. N., Fargo, ND 58102 / 701-232-2351

Ward Machine, 5620 Lexington Rd., Corpus Christi, TX 78412 / 512-992-1221

Wardell Precision Handguns Ltd., 48851 N. Fig Springs Rd., New River, AZ 85027-8513 / 602-465-7995

Warenski Engraving, Julie Warenski, 590 E. 500 N., Richfield, UT 84701 / 435-896-5319; FAX: 435-896-8333
julie@warenskiknives.com

Warenski, Julie. See: WARENSKI ENGRAVING

Warne Manufacturing Co., 9057 SE Janssen Rd., Clackamas, OR 97015 / 503-657-5590 or 800-683-5590; FAX: 503-657-5695 info@warnescopemounts.com
www.warnescopemounts.com

Warren Muzzleloading Co., Inc., Hwy. 21 North, P.O. Box 100, Ozone, AR 72854 / 501-292-3268

Washita Mountain Whetstone Co., P.O. Box 378, Lake Hamilton, AR 71951 / 501-525-3914

Wasmundt, Jim, P.O. Box 511, Fossil, OR 97830

Watson Bros., 39 Redcross Way, SE1 1H6, London, ENGLAND FAX: 44-171-403-3136

MANUFACTURER'S DIRECTORY

- Watson Bullets, 231 Allies Pass, Frostproof, FL 33843 / 863-635-7948 cbestbullet@aol.com
- Wayne E. Schwartz Custom Guns, 970 E. Britton Rd., Morrice, MI 48857 / 517-625-4079
- Wayne Firearms For Collectors & Investors
- Wayne Specialty Services, 260 Waterford Drive, Florissant, MO 63033 / 413-831-7083
- WD-40 Co., 1061 Cudahy Pl., San Diego, CA 92110 / 619-275-1400; FAX: 619-275-5823
- Weatherby, Inc., 3100 El Camino Real, Atascadero, CA 93422 / 805-466-1767; FAX: 805-466-2527 www.weatherby.com
- Weaver Products ATK, P.O. Box 39, Onalaska, WI 54650 / 800-648-9624 or 608-781-5800; FAX: 608-781-0368
- Weaver Scope Repair Service, 1121 Larry Mahan Dr., Suite B, El Paso, TX 79925 / 915-593-1005
- Webb, Bill, 6504 North Bellefontaine, Kansas City, MO 64119 / 816-453-7431
- Weber & Markin Custom Gunsmiths, 4-1691 Powick Rd., Kelowna, BC V1X 4L1 CANADA / 250-762-7575; FAX: 250-861-3655 www.weberandmarkingguns.com
- Webley and Scott Ltd., Frankley Industrial Park, Tay Rd., Birmingham, B45 OPA ENGLAND / 011-021-453-1864; FAX: 0121-457-7846 guns@webley.co.uk www.webley.co.uk
- Webster Scale Mfg. Co., P.O. Box 188, Sebring, FL 33870 / 813-385-6362
- Weems, Cecil, 510 W Hubbard St., Mineral Wells, TX 76067-4847 / 817-325-1462
- Weigand Combat Handguns, Inc., 1057 South Main Rd., Mountain Top, PA 18707 / 570-868-8358; FAX: 570-868-5218 sales@jackweigand.com www.jackweigand.com
- Weihrauch KG, Hermann, Industriestrasse 11, 8744 Mellrichstadt, Mellrichstadt, GERMANY
- Welch, Sam. See: SAM WELCH GUN ENGRAVING
- Wellington Outdoors, P.O. Box 244, 1140 Monticello Rd., Madison, GA 30650 / 706-342-4915; FAX: 706-342-7568
- Wells, Rachel, 110 N. Summit St., Prescott, AZ 86301 / 928-445-3655 wellssportstore@cableone.net wellssportstore@cableone-net
- Wells Creek Knife & Gun Works, 32956 State Hwy. 38, Scottsburg, OR 97473 / 541-587-4202; FAX: 541-587-4223
- Welsh, Bud. See: HIGH PRECISION
- Wenger North America/Precise Int'l., 15 Corporate Dr., Orangeburg, NY 10962 / 800-431-2996; FAX: 914-425-4700
- Wenig Custom Gunstocks, 103 N. Market St., P.O. Box 249, Lincoln, MO 65338 / 660-547-3334; FAX: 660-547-2881 gustock@wenig.com www.wenig.com
- Werth, T. W., 1203 Woodlawn Rd., Lincoln, IL 62656 / 217-732-1300
- Wescombe, Bill (See North Star West)
- Wessinger Custom Guns & Engraving, 268 Limestone Rd., Chapin, SC 29036 / 803-345-5677
- West, Jack L., 1220 W. Fifth, P.O. Box 427, Arlington, OR 97812
- Western Cutlery (See Camillus Cutlery Co.)
- Western Design (See Alpha Gunsmith Division)
- Western Mfg. Co., 550 Valencia School Rd., Aptos, CA 95003 / 831-688-5884 lotsabears@earthlink.net
- Western Missouri Shooters Alliance, P.O. Box 11144, Kansas City, MO 64119 / 816-597-3950; FAX: 816-229-7350
- Western Nevada West Coast Bullets, P.O. BOX 2270, DAYTON, NV 89403-2270 / 702-246-3941; FAX: 702-246-0836
- Westley Richards & Co. Ltd., 40 Grange Rd., Birmingham, ENGLAND / 010-214722953; FAX: 010-21414138 sales@westleyrichards.com www.westleyrichards.com
- Westley Richards Agency USA (See U.S. Importer for Westwind Rifles, Inc., David S. Sullivan, P.O. Box 261, 640 Briggs St., Erie, CO 80516 / 303-828-3823
- Weyer International, 2740 Nebraska Ave., Toledo, OH 43607 / 419-534-2020; FAX: 419-534-2697
- Whildin & Sons Ltd, E.H., RR 2 Box 119, Tamaqua, PA 18252 / 717-668-6743; FAX: 717-668-6745
- Whinnery, Walt (See Walt's Custom Leather)
- Whiscombe (See U.S. Importer-Pelairé Products)
- White Barn Wor, 431 County Road, Broadlands, IL 61816
- White Pine Photographic Services, Hwy. 60, General Delivery, Wilno, ON K0J 2N0 CANADA / 613-756-3452
- White Rifles, Inc., 234 S.1250 W., Linden, UT 84042 / 801-932-7950 www.whiterifles.com
- White Rock Tool & Die, 6400 N. Brighton Ave., Kansas City, MO 64119 / 816-454-0478
- Whitestone Lumber Corp., 148-02 14th Ave., Whitestone, NY 11357 / 718-746-4400; FAX: 718-767-1748 whstco@aol.com
- Wichita Arms, Inc., 923 E. Gilbert, P.O. Box 11371, Wichita, KS 67211 / 316-265-0661; FAX: 316-265-0760 sales@wichitaarms.com www.wichitaarms.com
- Wick, David E., 1504 Michigan Ave., Columbus, IN 47201 / 812-376-6960
- Widener's Reloading & Shooting Supply, Inc., P.O. Box 3009 CRS, Johnson City, TN 37602 / 615-282-6786; FAX: 615-282-6651
- Wideview Scope Mount Corp., 13535 S. Hwy. 16, Rapid City, SD 57702 / 605-341-3220; FAX: 605-341-9142 wvdon@rapidnet.com www.jii.to
- Wiebe, Duane, 5300 Merchant Cir. #2, Placerville, CA 95667 / 530-344-1357; FAX: 530-344-1357 wiebe@d-wdb.com
- Wiest, Marie. See: GUNCRAFT SPORTS, INC.
- Wilcox All-Pro Tools & Supply, 4880 147th St., Montezuma, IA 50171 / 515-623-3138; FAX: 515-623-3104
- Wilcox Industries Corp., Robert F Guarasi, 53 Durham St., Portsmouth, NH 03801 / 603-431-1331; FAX: 603-431-1221
- Wild Bill's Originals, P.O. Box 13037, Burton, WA 98013 / 206-463-5738; FAX: 206-465-5925 wildbill@halcyon.com
- Wild West Guns, 7521 Old Seward Hwy., Unit A, Anchorage, AK 99518 / 800-992-4570 or 907-344-4500; FAX: 907-344-4005 wwguns@ak.net www.wildwestguns.com
- Wilderness Sound Products Ltd., 4015 Main St. A, Springfield, OR 97478 / 800-47-0006; FAX: 541-741-0263
- Wildex, Inc., 45 Angevine Rd, Warren, CT 06754-1818 / 203-355-9000; FAX: 203-354-7759
- Wildlife Research Center, Inc., 1050 McKinley St., Anoka, MN 55303 / 763-427-3350; or 800-USE-LURE; FAX: 763-427-8354
- Will-Burt Co., 169 S. Main, Orrville, OH 44667
- William E. Phillips Firearms, 38 Avondale Rd., Wigston, Leicester, ENGLAND / 0116 2886334; FAX: 0116 2810644 wephillips@aol.com
- William Powell Agency, 22 Circle Dr., Bellmore, NY 11710 / 516-679-1158
- Williams Gun Sight Co., 7389 Lapeer Rd., Box 329, Davison, MI 48423 / 810-653-2131 or 800-530-9028; FAX: 810-658-2140 williamsgunsight.com
- Williams Mfg. of Oregon, 110 East B St., Drain, OR 97435 / 503-836-7461; FAX: 503-836-7245
- Williams Shootin' Iron Service, The Lynx-Line, Rt. 2 Box 223A, Mountain Grove, MO 65711 / 417-948-0902; FAX: 417-948-0902
- Williamson Precision Gunsmithing, 117 W. Pipeline, Hurst, TX 76053 / 817-285-0064; FAX: 817-280-0044
- Willow Bend, P.O. Box 203, Chelmsford, MA 01824 / 978-256-8508; FAX: 978-256-8508
- Wilson Combat, 2234 CR 719, Berryville, AR 72616-4573 / 800-955-4856; FAX: 870-545-3310
- Wilson Case, Inc., P.O. Box 1106, Hastings, NE 68902-1106 / 800-322-5493; FAX: 402-463-5276 sales@wilsoncase.com www.wilsoncase.com
- Wilson Combat, 2234 CR 719, Berryville, AR 72616-4573 / 800-955-4856
- Winchester Div. Olin Corp., 427 N. Shamrock, E. Alton, IL 62024 / 618-258-3566; FAX: 618-258-3599
- Winchester Sntler, Inc., The, 270 Shadow Brook Lane, Winchester, VA 22603 / 540-888-3595; FAX: 540-888-4632
- Windish, Jim, 2510 Dawn Dr., Alexandria, VA 22306 / 703-765-1994
- Wingshooting Adventures, 0-1845 W. Leonard, Grand Rapids, MI 49544 / 616-677-1980; FAX: 616-677-1986
- Winkle Bullets, R.R. 1, Box 316, Heyworth, IL 61745
- Winter, Robert M., P.O. Box 484, 42975-287th St., Menno, SD 57045 / 605-387-5322
- Wise Custom Guns, 1402 Blanco Rd., San Antonio, TX 78212-2716 / 210-828-3388
- Wise Guns, Dale, 1402 Blanco Rd., San Antonio, TX 78212 / 210-734-9999
- Wiseman and Co., Bill, P.O. Box 3427, Bryan, TX 77805 / 409-690-3456; FAX: 409-690-0156
- Wisners, Inc., P.O. Box 58, Adna, WA 98522 / 360-748-4590; FAX: 360-748-6028 parts@gunpartsspecialist.com www.wisnersinc.com
- Wolf (See J.R. Distributing)
- Wolf Performance Ammunition, 2201 E. Winston Rd., Ste. K, Anaheim, CA 92806-5537 / 702-837-8506; FAX: 702-837-9250
- Wolfe Publishing Co., 2625 Stearman Rd., Ste. A, Prescott, AZ 86301 / 928-445-7810; or 800-899-7810; FAX: 928-778-5124
- Wolf's Western Traders, 1250 Santa Cora Ave. #613, Chula Vista, CA 91913 / 619-482-1701 patwolf4570book@aol.com
- Wolverine Footwear Group, 9341 Courtland Dr. NE, Rockford, MI 49351 / 616-866-5500; FAX: 616-866-5658
- Wood, Frank (See Classic Guns, Inc.), 5305 Peachtree Ind. Blvd., Norcross, GA 30092 / 404-242-7944
- Woodleigh (See Huntington Die Specialties)
- Woods Wise Products, P.O. Box 681552, Franklin, TN 37068 / 800-735-8182; FAX: 615-726-2637
- Woodstream, P.O. Box 327, Lititz, PA 17543 / 717-626-2125; FAX: 717-626-1912
- Woodworker's Supply, 1108 North Glenn Rd., Casper, WY 82601 / 307-237-5354
- Woolrich, Inc., Mill St., Woolrich, PA 17701 / 800-995-1299; FAX: 717-769-6234/6259
- Working Guns, Jim Coffin, 1224 NW Fernwood Cir., Corvallis, OR 97330-2909 / 541-928-4391
- World of Targets (See Birchwood Casey)
- World Trek, Inc., 7170 Turkey Creek Rd., Pueblo, CO 81007-1046 / 719-546-2121; FAX: 719-543-6886
- Worthy Products, Inc., RR 1, P.O. Box 213, Martville, NY 13111 / 315-324-5298
- Wostenholm (See Ibberson [Sheffield] Ltd., George)
- Wright's Gunstock Blanks, 8540 SE Kane Rd., Gresham, OR 97080 / 503-666-1705 doyal@wrightsguns.com www.wrightsguns.com
- WTA Manufacturing, P.O. Box 164, Kit Carson, CO 80825 / 800-700-3054; FAX: 719-962-3570 wta@rebeltec.net http://www.members.aol.com/ductman249/wta.html
- Wyant Bullets, Gen. Del., Swan Lake, MT 59911
- Wyant's Outdoor Products, Inc., P.O. Box 9, Broadway, VA 22815
- Wyoming Custom Bullets, 1626 21st St., Cody, WY 82414
- Wyoming Knife Corp., 101 Commerce Dr., Ft. Collins, CO 80524 / 303-224-3454

X

X-Spand Target Systems, 26-10th St. SE, Medicine Hat, AB T1A 1P7 CANADA / 403-526-7997; FAX: 403-528-2362

Y

- Yankee Gunsmith "Just Locks", 2901 Deer Flat Dr., Copperas Cove, TX 76522 / 817-547-8433; FAX: 254-547-8887 ed@justlocks.com www.justlocks.com
- Yavapai College, 1100 E. Sheldon St., Prescott, AZ 86301 / 520-776-2353; FAX: 520-776-2355
- Yavapai Firearms Academy Ltd., P.O. Box 27290, Prescott Valley, AZ 86312 / 928-772-8262; FAX: 928-772-0062 info@yfainc.com www.yfainc.com
- Yearout, Lewis E. (See Montana Outfitters), 308 Riverview Dr. E., Great Falls, MT 59404 / 406-761-0859; or 406-727-4569
- Yellowstone Wilderness Supply, P.O. Box 129, W. Yellowstone, MT 59758 / 406-646-7613
- Yesteryear Armory & Supply, P.O. Box 408, Carthage, TN 37030
- York M-1 Conversion, 12145 Mill Creek Run, Plantersville, TX 77363 / 936-894-2397; FAX: 936-894-2397 bmf25years@aol.com
- Young Country Arms, William, 1409 Kuehner Dr. #13, Simi Valley, CA 93063-4478

Z

- Zabala Hermanos S.A., P.O. Box 97, 20600 Elbar, Elgueta, Guipuzcoa, 20600 SPAIN / 943-768076; FAX: 943-768201 imanol@zabalahermanos.com www.zabalahermanos.com
- Zander's Sporting Goods, 7525 Hwy 154 West, Baldwin, IL 62217-9706 / 800-851-4373; FAX: 618-785-2320
- Zanotti Armor, Inc., 123 W. Lone Tree Rd., Cedar Falls, IA 50613 / 319-232-9650 www.zanottiarmor.com
- Zeepry, Russ, 1601 Foard Dr., Lynn Ross Manor, Morristown, TN 37814 / 615-856-2357
- Zero Ammunition Co., Inc., 1601 22nd St. SE, P.O. Box 1188, Cullman, AL 35056-1188 / 800-545-9376; FAX: 205-739-4683
- Ziegel Engineering, 1390 E. Bunnett St. "F", Signal Hill, CA 90755 / 562-596-9481; FAX: 562-598-4734 ziegel@aol.com www.ziegeleng.com
- Zip's, Inc., 4370 S. 3rd West, Salt Lake City, UT 84107 / 801-268-2505
- Z-M Weapons, 203 South St., Bernardston, MA 01337 / 413-648-9501; FAX: 413-648-0219
- Zufall, Joseph F., P.O. Box 304, Golden, CO 80402-0304

PERIODICAL PUBLICATIONS

AAFTA News (M)

5911 Cherokee Ave., Tampa, FL 33604. Official newsletter of the American Airgun Field Target Assn.

The Accurate Rifle

Precisions Shooting, Inc., 222 Mckee Street, Manchester CT 06040. \$37 yr. Dedicated to the rifle accuracy enthusiast.

Action Pursuit Games Magazine (M)

CFW Enterprises, Inc., 4201 W. Vanowen Pl., Burbank, CA 91505 818-845-2656. \$4.99 single copy U.S., \$5.50 Canada. Editor: Dan Reeves. World's leading magazine of paintball sports.

Air Gunner Magazine

4 The Courtyard, Denmark St., Wokingham, Berkshire RG11 2AZ, England/011-44-734-771677. U.S. \$44 for 1 yr. Leading monthly airgun magazine in U.K.

Airgun Ads

Box 33, Hamilton, MT 59840/406-363-3805; Fax: 406-363-4117. \$35 1 yr. (for first mailing); \$20 for second mailing; \$35 for Canada and foreign orders.) Monthly tabloid with extensive For Sale and Wanted airgun listings.

The Airgun Letter

Gapp, Inc., 4614 Woodland Rd., Ellicott City, MD 21042-6329/410-730-5496; Fax: 410-730-9544; e-mail: staff@airnltr.net; http://www.airgunletter.com. \$21 U.S., \$24 Canada, \$27 Mexico and \$33 other foreign orders, 1 yr. Monthly newsletter for airgun users and collectors.

Airgun World

4 The Courtyard, Denmark St., Wokingham, Berkshire RG40 2AZ, England/011-44-734-771677. Call for subscription rates. Oldest monthly airgun magazine in the U.K., now a sister publication to *Air Gunner*.

Alaska Magazine

Morris Communications, 735 Broad Street, Augusta, GA 30901/706-722-6060. Hunting, Fishing and Life on the Last Frontier articles of Alaska and western Canada.

American Firearms Industry

Natl. Assn. of Federally Licensed Firearms Dealers, 2455 E. Sunrise Blvd., Suite 916, Ft. Lauderdale, FL 33304. \$35.00 yr. For firearms retailers, distributors and manufacturers.

American Guardian

NFA, 11250 Waples Mill Rd., Fairfax, VA 22030. Publications division. \$15.00 1 yr. Magazine features personal protection; home-self-defense; family recreation shooting; women's issues; etc.

American Gunsmith

Belvoir Publications, Inc., 75 Holly Hill Lane, Greenwich, CT 06836-2626/203-661-6111. \$49.00 (12 issues). Technical journal of firearms repair and maintenance.

American Handgunner*

Publisher's Development Corp., 591 Camino de la Reina, Suite 200, San Diego, CA 92108/800-537-3006 \$16.95 yr. Articles for handgun enthusiasts, competitors, police and hunters.

American Hunter (M)

National Rifle Assn., 11250 Waples Mill Rd., Fairfax, VA 22030 (Same address for both.) Publications Div. \$35.00 yr. Wide scope of hunting articles.

American Rifleman (M)

National Rifle Assn., 11250 Waples Mill Rd., Fairfax, VA 22030 (Same address for both.) Publications Div. \$35.00 yr. Firearms articles of all kinds.

American Survival Guide

McMullen Angus Publishing, Inc., 774 S. Placentia Ave., Placentia, CA 92670-6846. 12 issues \$19.95/714-572-2255; FAX: 714-572-1864.

Armes & Tir*

c/o FABECO, 38, rue de Tréville 75009 Paris, France. Articles for hunters, collectors, and shooters. French text.

Arms Collecting (Q)

Museum Restoration Service, P.O. Box 70, Alexandria Bay, NY 13607-0070. \$22.00 yr.; \$62.00 3 yrs.; \$112.00 5 yrs. Australian Shooter (formerly *Australian Shooters Journal*) Sporting Shooters' Assn. of Australia, Inc., P.O. Box 2066, Kent Town SA 5071, Australia. \$60.00 yr. locally; \$65.00 yr. overseas surface mail. Hunting and shooting articles.

The Backwoodsman Magazine

P.O. Box 627, Westcliffe, CO 81252. \$16.00 for 6 issues per yr.; \$30.00 for 2 yrs.; sample copy \$2.75. Subjects include muzzle-loading, woodlore, primitive survival, trapping, homesteading, blackpowder cartridge guns, 19th century how-to.

Black Powder Cartridge News (Q)

SPG, Inc., P.O. Box 761, Livingston, MT 59047/Phone/Fax: 406-222-8416. \$17 yr. (4 issues) (\$6 extra 1st class mailing). For the blackpowder cartridge enthusiast.

Blackpowder Hunting (M)

Intl. Blackpowder Hunting Assn., P.O. Box 1180Z, Glenrock, WY 82637/307-436-9817. \$20.00 1 yr., \$36.00 2 yrs. How-to and where-to features by experts on hunting; shooting; ballistics; traditional and modern blackpowder rifles, shotguns, pistols and cartridges.

Black Powder Times

P.O. Box 234, Lake Stevens, WA 98258. \$20.00 yr.; add \$5 per year for Canada, \$10 per year other foreign. Tabloid newspaper for blackpowder activities; test reports.

Blade Magazine

Krause Publications, 700 East State St., Iola, WI 54990-0001. \$25.98 for 12 issues. Foreign price (including Canada-Mexico) \$50.00. A magazine for all enthusiasts of handmade, factory and antique knives.

Caliber

GFI-Verlag, Theodor-Heuss Ring 62, 50668 Köln, Germany. For hunters, target shooters and reloaders.

The Caller (Q) (M)

National Wild Turkey Federation, P.O. Box 530, Edgefield, SC 29824. Tabloid newspaper for members; 4 issues per yr. (membership fee \$25.00)

Cartridge Journal (M)

Robert Mellichamp, 907 Shirkmere, Houston, TX 77008/713-869-0558. Dues \$12 for U.S. and Canadian members (includes the newsletter); 6 issues.

The Cast Bullet*(M)

Official journal of The Cast Bullet Assn. Director of Membership, 203 E. 2nd St., Muscatine, IA 52761. Annual membership dues \$14, includes 6 issues.

Cibles

14, rue du Patronage-Laique, BP 2057, 52902 Chaumont, cedex 9, France. French-language arms magazine also carries a small amount of arms-related and historical content. 12 issues per year. Tel/03-25-03-87-47/Email cibles@graphycorn.com; Website: www.graphycorn.com

COLTELLI, che Passione (Q)

Casella postale N.519, 20101 Milano, Italy/Fax:02-48402857. \$15 1 yr., \$27 2 yrs. Covers all types of knives—collecting, combat, historical. Italian text.

Combat Handguns*

Harris Publications, Inc., 1115 Broadway, New York, NY 10010.

Deer & Deer Hunting Magazine

Krause Publications, 700 E. State St., Iola, WI 54990-0001. \$19.95 yr. (9 issues). For the serious deer hunter. Website: www.krause.com

The Derringer Peanut (M)

The National Association of Derringer Collectors, P.O. Box 20572, San Jose, CA 95160. A newsletter dedicated to developing the best derringer information. Write for details.

Deutsches Waffen Journal

Journal-Verlag Schwend GmbH, Postfach 100340, D-74503 Schwäbisch Hall, Germany/0791-404-500; FAX:0791-404-505 and 404-424. DM102 p. yr. (interior); DM125.30 (abroad), postage included. Antique and modern arms and equipment. German text.

Double Gun Journal

P.O. Box 550, East Jordan, MI 49727/800-447-1658. \$35 for 4 issues.

Ducks Unlimited, Inc. (M)

1 Waterfowl Way, Memphis, TN 38120

The Engraver (M) (Q)

P.O. Box 4365, Estes Park, CO 80517/970-586-2388; Fax: 970-586-0394. Mike Dubber, editor. The journal of firearms engraving.

The Field

King's Reach Tower, Stamford St., London SE1 9LS England. £36.40 U.K. 1 yr.; 49.90 (overseas, surface mail) yr.; £82.00 (overseas, air mail) yr. Hunting and shooting articles, and all country sports.

Field & Stream

Time4 Media, Two Park Ave., New York, NY 10016/212-779-5000. 12 issues/\$19.97. Monthly shooting column. Articles on hunting and fishing.

Field Tests

Belvoir Publications, Inc., 75 Holly Hill Lane; P.O. Box 2626, Greenwich, CT 06836-2626/203-661-6111; 800-829-3361 (subscription line). U.S. & Canada \$29 1 yr., \$58 2 yrs.; all other countries \$45 1 yr., \$90 2 yrs. (air).

Fur-Fish-Game

A.R. Harding Pub. Co., 2878 E. Main St., Columbus, OH 43209. \$15.95 yr. Practical guidance regarding trapping, fishing and hunting.

The Gottlieb-Tartaro Report

Second Amendment Foundation, James Madison Bldg., 12500 NE 10th Pl., Bellevue, WA 98005/206-454-7012; Fax:206-451-3959. \$30 for 12 issues. An insiders guide for gun owners.

Gray's Sporting Journal

Gray's Sporting Journal, P.O. Box 1207, Augusta, GA 30903. \$36.95 per yr. for 6 issues. Hunting and fishing journals. Expeditions and Guides Book (Annual Travel Guide).

Gun List†

700 E. State St., Iola, WI 54990. \$37.98 yr. (26 issues); \$66.98 2 yrs. (52 issues). Indexed market publication for firearms collectors and active shooters; guns, supplies and services. Website: www.krause.com

Gun News Digest (Q)

Second Amendment Fdn., P.O. Box 488, Station C, Buffalo, NY 14209/716-885-6408; Fax:716-884-4471. \$10 U.S.; \$20 foreign.

The Gun Report

World Wide Gun Report, Inc., Box 38, Aledo, IL 61231-0038. \$33.00 yr. For the antique and collectable gun dealer and collector.

Gunmaker (M) (Q)

ACGG, P.O. Box 812, Burlington, IA 52601-0812. The journal of custom gunmaking.

The Gunrunner

Div. of Kexco Publ. Co. Ltd., Box 565G, Lethbridge, Alb., Canada T1J 3Z4. \$23.00 yr., sample \$2.00. Monthly newspaper, listing everything from antiques to artillery.

Gun Show Calendar (Q)

700 E. State St., Iola, WI 54990. \$14.95 yr. (4 issues). Gun shows listed; chronologically and by state. Website: www.krause.com

Gun Tests

11 Commerce Blvd., Palm Coast, FL 32142. The consumer resource for the serious shooter. Write for information.

Gun Trade News

Bruce Publishing Ltd., P.O. Box 82, Wantage, Oxon OX12 7AB, England/44-1-235-771770; Fax: 44-1-235-771848. Britain's only "trade only" magazine exclusive to the gun trade.

Gun Week†

Second Amendment Foundation, P.O. Box 488, Station C, Buffalo, NY 14209. \$35.00 yr. U.S. and possessions; \$45.00 yr. other countries. Tabloid paper on guns, hunting, shooting and collecting (36 issues).

Gun World

Y-Visionary Publishing, LP 265 South Anita Drive, Ste. 120, Orange, CA 92868. \$21.97 yr.; \$34.97 2 yrs. For the hunting, reloading and shooting enthusiast.

Guns & Ammo

Primedia, 6420 Wilshire Blvd., Los Angeles, CA 90048/213-782-2780. \$23.94 yr. Guns, shooting, and technical articles.

Guns

Publishers Development Corporation, P.O. Box 85201, San Diego, CA 92138/800-537-3006. \$19.95 yr. In-depth articles on a wide range of guns, shooting equipment and related accessories for gun collectors, hunters and shooters.

Guns Review

Ravenhill Publishing Co. Ltd., Box 35, Standard House, Bonhill St., London EC2A 4DA, England. £20.00 sterling (approx. U.S. \$38 USA & Canada) yr. For collectors and shooters.

H.A.C.S. Newsletter (M)

Harry Moon, Pres., P.O. Box 50117, South Slope RPO, Burnaby BC, V5J 5G3, Canada/604-438-0950; Fax:604-277-3646. \$25 p. yr. U.S. and Canada. Official newsletter of The Historical Arms Collectors of B.C. (Canada).

Handgunner*

Richard A.J. Munday, Seychelles house, Brightlingsen, Essex CO7 0NN, England/012063-305201. £18.00 (sterling).

Handguns*

Primedia, 6420 Wilshire Blvd., Los Angeles, CA 90048/323-782-2868. For the handgunning and shooting enthusiast.

Handloader*

Wolfe Publishing Co., 2626 Stearman Road, Ste. A, Prescott, AZ 86301/520-445-7810; Fax:520-778-5124. \$22.00 yr. The journal of ammunition reloading.

INSIGHTS*

NRA, 11250 Waples Mill Rd., Fairfax, VA 22030. Editor, John E. Robbins. \$15.00 yr., which includes NRA junior membership; \$10.00 for adult subscriptions (12 issues). Plenty of details for the young hunter and target shooter; emphasizes gun safety, marksmanship training, hunting skills.

International Arms & Militaria Collector (Q)

Arms & Militaria Press, P.O. Box 80, Labrador, Qld. 4215, Australia. A\$39.50 yr. (U.S. & Canada), 2 yrs. A\$77.50; A\$37.50 (others), 1 yr., 2 yrs. \$73.50 all air express mail; surface mail is less. Editor: Ian D. Skennerton.

International Shooting Sport*/UIT Journal

International Shooting Union (UIT), Bavariaring 21, D-80336 Munich, Germany. Europe: (Deutsche Mark) DM44.00 yr., 2 yrs. DM83.00; outside Europe: DM50.00 yr., 2 yrs. DM95.00 (air mail postage included.) For international sport shooting.

Internationales Waffen-Magazin

Habegger-Verlag Zürich, Postfach 9230, CH-8036 Zürich, Switzerland. SF 105.00 (approx. U.S. \$73.00) surface mail for 10 issues. Modern and antique arms, self-defense. German text; English summary of contents.

The Journal of the Arms & Armour Society (M)

A. Dove, P.O. Box 10232, London, SW19 2ZD England. £15.00 surface mail; £20.00 airmail sterling only yr. Articles for the historian and collector.

Journal of the Historical Breechloading Smallarms Assn.

Published annually. P.O. Box 12778, London, SE1 6XB, England. \$21.00 yr. Articles for the collector plus mailings of short articles on specific arms, reprints, newsletters, etc.

Knife World

Knife World Publications, P.O. Box 3395, Knoxville, TN 37927. \$15.00 yr.; \$25.00 2 yrs. Published monthly for knife enthusiasts and collectors. Articles on custom and factory knives; other knife-related interests, monthly column on knife identification, military knives.

Man At Arms*

P.O. Box 460, Lincoln, RI 02865. \$27.00 yr., \$52.00 2 yrs. plus \$8.00 for foreign subscribers. The N.R.A. magazine of arms collecting-investing, with excellent articles for the collector of antique arms and militaria.

The Mannlicher Collector (Q)(M)

Mannlicher Collectors Assn., Inc., P.O. Box 7144, Salem Oregon 97303. \$20/ yr. subscription included in membership.

MAGNUM

Rua Madre Rita Amada de Jesus, 182 , Granja Julieta, Sao Paulo - SP - 04721-050 Brazil. No details.

*Published bi-monthly

† Published weekly

‡Published three times per month. All others are published monthly.

M=Membership requirements; write for details.

Q=Published Quarterly.

PERIODICAL PUBLICATIONS

MAN/MAGNUM

S.A. Man (Pty) Ltd., P.O. Box 35204, Northway, Durban 4065, Republic of South Africa. SA Rand 200.00 for 12 issues. Africa's only publication on hunting, shooting, firearms, bushcraft, knives, etc.

The Marlin Collector (M)

R.W. Paterson, 407 Lincoln Bldg., 44 Main St., Champaign, IL 61820.

Muzzle Blasts (M)

National Muzzle Loading Rifle Assn., P.O. Box 67, Friendship, IN 47021/812-667-5131. \$35.00 yr. annual membership. For the blackpowder shooter.

Muzzleloader Magazine*

Scurlock Publishing Co., Inc., Dept. Gun, Route 5, Box 347-M, Texarkana, TX 75501. \$18.00 U.S.; \$22.50 U.S./yr. for foreign subscribers. The publication for blackpowder shooters.

National Defense (M)*

American Defense Preparedness Assn., Two Colonial Place, Suite 400, 2101 Wilson Blvd., Arlington, VA 22201-3061/703-522-1820; FAX: 703-522-1885. \$35.00 yr. Articles on both military and civil defense field, including weapons, materials technology, management.

National Knife Magazine (M)

Natl. Knife Coll. Assn., 7201 Shallowford Rd., P.O. Box 21070, Chattanooga, TN 37424-0070. Membership \$35 yr.; \$65.00 International yr.

National Rifle Assn. Journal (British) (Q)

Natl. Rifle Assn. (BR.), Bisleys Camp, Brookwood, Woking, Surrey, England. GU24, OPB. £24.00 Sterling including postage.

National Wildlife*

Natl. Wildlife Fed., 1400 16th St. NW, Washington, DC 20036. \$16.00 yr. (6 issues); *International Wildlife*, 6 issues, \$16.00 yr. Both, \$22.00 yr., includes all membership benefits. Write attn.: Membership Services Dept., for more information.

New Zealand Guns*

Waitekauri Publishing, P.O. 45, Waikino 3060, New Zealand. \$NZ90.00 (6 issues) yr. Covers the hunting and firearms scene in New Zealand.

New Zealand Wildlife (Q)

New Zealand Deerstalkers Assoc., Inc., P.O. Box 6514, Wellington, N.Z. \$30.00 (N.Z.). Hunting, shooting and firearms/game research articles.

North American Hunter* (M)

P.O. Box 3401, Minnetonka, MN 55343/612-936-9333; e-mail: huntingclub@pclick.com. \$18.00 yr. (7 issues). Articles on all types of North American hunting.

Outdoor Life

Time4 Media, Two Park Ave., New York, NY 10016. \$14.97/10 issues. Extensive coverage of hunting and shooting. Shooting column by Jim Carmichel.

La Passion des Courteaux (Q)

Phenix Editions, 25 rue Mademoiselle, 75015 Paris, France. French text.

Paintball Games International Magazine

Aceville Publications, Castle House, 97 High St., Colchester, Essex, England CO1 1TH/011-44-206-564840. Write for subscription rates. Leading magazine in the U.K. covering competitive paintball activities.

Paintball News

PBN Publishing, P.O. Box 1608, 24 Henniker St., Hillsboro, NH 03244/603-464-6080. \$35 U.S. 1 yr. Bi-weekly. Newspaper covering the sport of paintball, new product reviews and industry features.

Paintball Sports (Q)

Paintball Publications, Inc., 540 Main St., Mount Kisco, NY 10549/914-241-7400. \$24.75 U.S. 1 yr., \$32.75 foreign. Covering the competitive paintball scene.

Performance Shooter

Belvoir Publications, Inc., 75 Holly Hill Lane, Greenwich, CT 06836-2626/203-661-6111. \$45.00 yr. (12 issues). Techniques and technology for improved rifle and pistol accuracy.

Petersen's HUNTING Magazine

Primedia, 6420 Wilshire Blvd., Los Angeles, CA 90048. \$19.94 yr.; Canada \$29.34 yr.; foreign countries \$29.94 yr. Hunting articles for all game; test reports.

P.I. Magazine

America's Private Investigation Journal, 755 Bronx Dr., Toledo, OH 43609. Chuck Klein, firearms editor with column about handguns.

Pirsch

BLV Verlagsgesellschaft GmbH, Postfach 400320, 80703 Munich, Germany/089-12704-0; Fax: 089-12705-354. German text.

Point Blank

Citizens Committee for the Right to Keep and Bear Arms (sent to contributors), Liberty Park, 12500 NE 10th Pl., Bellevue, WA 98005

POINTBLANK (M)

Natl. Firearms Assn., Box 4384 Stn. C, Calgary, AB T2T 5N2, Canada. Official publication of the NFA.

The Police Marksman*

6000 E. Shirley Lane, Montgomery, AL 36117. \$17.95 yr. For law enforcement personnel.

Police Times (M)

3801 Biscayne Blvd., Miami, FL 33137/305-573-0070.

Popular Mechanics

Hearst Corp., 224 W. 57th St., New York, NY 10019. Firearms, camping, outdoor oriented articles.

Precision Shooting

Precision Shooting, Inc., 222 McKee St., Manchester, CT 06040. \$37.00 yr. U.S. Journal of the International Benchrest Shooters, and target shooting in general. Also considerable coverage of varmint shooting, as well as big bore, small bore, schutzen, lead bullet, wildcats and precision reloading.

Rifle*

Wolfe Publishing Co., 2626 Stearman Road, Ste. A, Prescott, AZ 86301/520-445-7810; Fax: 520-778-5124. \$19.00 yr. The sporting firearms journal.

Rifle's Hunting Annual

Wolfe Publishing Co., 2626 Stearman Road, Ste. A, Prescott, AZ 86301/520-445-7810; Fax: 520-778-5124. \$4.99 Annual. Dedicated to the finest pursuit of the hunt.

Rod & Rifle Magazine

Lithographic Serv. Ltd., P.O. Box 38-138, Wellington, New Zealand. \$50.00 yr. (6 issues). Hunting, shooting and fishing articles.

Safari* (M)

Safari Magazine, 4800 W. Gates Pass Rd., Tucson, AZ 85745/602-620-1220. \$55.00 (6 times). The journal of big game hunting, published by Safari Club International. Also publish *Safari Times*, a monthly newspaper, included in price of \$55.00 national membership.

Second Amendment Reporter

Second Amendment Foundation, James Madison Bldg., 12500 NE 10th Pl., Bellevue, WA 98005. \$15.00 yr. (non-contributors).

Shoot! Magazine*

Shoot! Magazine Corp., 1770 West State St. PMB 340, Boise ID 83702/208-368-9920; Fax: 208-338-8428. Website: www.shootmagazine.com; \$32.95 (6 times/yr.). Articles of interest to the cowboy action shooter, or others interested the Western-era firearms and ammunition.

Shooter's News

23146 Lorain Rd., Box 349, North Olmsted, OH 44070/216-979-5258; Fax: 216-979-5259. \$29 U.S. 1 yr., \$54 2 yrs.; \$52 foreign surface. A journal dedicated to precision riflery.

Shooting Industry

Publisher's Dev. Corp., 591 Camino de la Reina, Suite 200, San Diego, CA 92108. \$50.00 yr. To the trade. \$25.00.

Shooting Sports USA

National Rifle Assn. of America, 11250 Waples Mill Road, Fairfax, VA 22030. Annual subscriptions for NRA members are \$5 for classified shooters and \$10 for non-classified shooters. Non-NRA member subscriptions are \$15. Covering events, techniques and personalities in competitive shooting.

Shooting Sportsman*

P.O. Box 11282, Des Moines, IA 50340/800-666-4955 (for subscriptions). Editorial: P.O. Box 1357, Camden, ME 04843. \$19.95 for six issues. The magazine of wingshooting and fine guns.

The Shooting Times & Country Magazine (England)†

IPC Magazines Ltd., King's Reach Tower, Stamford St, 1 London SE1 9LS, England/0171-261-6180; Fax: 0171-261-7179. £85 (approx. \$98.00) yr.; £79 yr. overseas (52 issues). Game shooting, wild fowling, hunting, game fishing and firearms articles. Britain's best selling field sports magazine.

Shooting Times

Primedia, 2 News Plaza, P.O. Box 1790, Peoria, IL 61656/309-682-6626. \$16.97 yr. Guns, shooting, reloading; articles on every gun activity.

The Shotgun News†

Primedia, 2 News Plaza, P.O. Box 1790, Peoria, IL 61656/800-495-8362. 36 issues/yr. @ \$28.95; 12 issues/yr. @ \$19.95. foreign subscription call for rates. Sample copy \$4.00. Gun ads of all kinds.

SHOT Business

National Shooting Sports Foundation, Flintlock Ridge Office Center, 11 Mile Hill Rd., Newtown, CT 06470-2359/203-426-1320; FAX: 203-426-1087. For the shooting, hunting and outdoor trade retailer.

Shotgun Sports

P.O. Box 6810, Auburn, CA 95604/916-889-2220; FAX: 916-889-9106. \$31.00 yr. Trapshooting how-to's, shotshell reloading, shotgun patterning, shotgun tests and evaluations, Sporting Clays action, waterfowl/upland hunting. Call 1-800-676-8920 for a free sample copy.

The Single Shot Exchange Magazine

PO box 1055, York SC 29745/803-628-5326 phone/fax. \$31.50/yr., monthly. Articles of interest to the blackpowder cartridge shooter and antique arms collector.

Single Shot Rifle Journal* (M)

Editor John Campbell, PO Box 595, Bloomfield Hills, MI 48303/248-458-8415. Email: jcampbel@dmbb.com. Annual dues \$35 for 6 issues. Journal of the American Single Shot Rifle Assn.

The Sixgunner (M)

Handgun Hunters International, P.O. Box 357, MAG, Bloomingdale, OH 43910

The Skeet Shooting Review

National Skeet Shooting Assn., 5931 Roff Rd., San Antonio, TX 78253. \$20.00 yr. (Assn. membership includes mag.) Competition results, personality profiles of top Skeet shooters, how-to articles, technical, reloading information.

Soldier of Fortune

Subscription Dept., P.O. Box 348, Mt. Morris, IL 61054. \$29.95 yr.; \$39.95 Canada; \$50.95 foreign. Sporting Classics

Sporting Classics, Inc.

PO Box 23707, Columbia, SC 29223/1-800-849-1004. 1 yr./6 issues/\$23.95; 2 yrs./12 issues/\$38.95; 3 yrs./18 issues/\$47.95. Firearms & outdoor articles and columns.

Sporting Clays Magazine

Patch Communications, 5211 South Washington Ave., Titusville, FL 32780/407-268-5010; FAX: 407-267-7216. \$29.95 yr. (12 issues). Official publication of the National Sporting Clays Association.

Sporting Goods Business

Miller Freeman, Inc., One Penn Plaza, 10th Fl., New York, NY 10119-0004. Trade journal.

Sporting Goods Dealer

Two Park Ave., New York, NY 10016. \$100.00 yr. Sporting goods trade journal.

Sporting Gun

Bretton Court, Bretton, Peterborough PE3 8DZ, England. £27.00 (approx. U.S. \$36.00), airmail £35.50 yr. For the game and clay enthusiasts.

Sports Afield

15621 Chemical Lane, Huntington Beach CA 92648. U.S./800-234-3537. International/714-894-9080. Nine issues for \$29.97. Website: www.sportsafield.com. America's oldest outdoor publication is now devoted to high-end sporting pursuits, especially in North America and Africa.

The Squirrel Hunter

P.O. Box 368, Chireno, TX 75937. \$14.00 yr. Articles about squirrel hunting.

Stott's Creek Calendar

Stott's Creek Printers, 2526 S 475 W, Morgantown, IN 46160/317-878-5489. 1 yr (3 issues) \$11.50; 2 yrs. (6 issues) \$20.00. Lists all gun shows everywhere in convenient calendar form; call for information.

Super Outdoors

2695 Aiken Road, Shelbyville, KY 40065/502-722-9463; 800-404-6064; Fax: 502-722-8093. Mark Edwards, publisher. Contact for details.

TACARMI

Via E. De Amicis, 25; 20123 Milano, Italy. \$100.00 yr. approx. Antique and modern guns. (Italian text.)

Territorial Dispatch—1800s Historical Publication (M)

National Assn. of Buckskinners, 4701 Marion St., Suite 324, Livestock Exchange Bldg., Denver, CO 80216. Michael A. Nester & Barbara Wyckoff, editors. 303-297-9671.

Trap & Field

1000 Waterway Blvd., Indianapolis, IN 46202. \$25.00 yr. Official publ. Amateur Trapshooting Assn. Scores, averages, trapshooting articles.

Turkey Call* (M)

Natl. Wild Turkey Federation, Inc., P.O. Box 530, Edgefield, SC 29824. \$25.00 with membership (6 issues per yr.)

Turkey & Turkey Hunting*

Krause Publications, 700 E. State St., Iola, WI 54990-0001. \$13.95 (6 issue p. yr.). Magazine with leading-edge articles on all aspects of wild turkey behavior, biology and the successful ways to hunt better with that info. Learn the proper techniques to calling, the right equipment, and more.

The U.S. Handgunner* (M)

U.S. Revolver Assn., 40 Larchmont Ave., Taunton, MA 02780. \$10.00 yr. General handgun and competition articles. Bi-monthly sent to members.

U.S. Airgun Magazine

P.O. Box 2021, Benton, AR 72018/800-247-4867; Fax: 501-316-8549. 10 issues a yr. Cover the sport from hunting, 10-meter, field target and collecting. Write for details.

The Varmint Hunter Magazine (Q)

The Varmint Hunters Assn., Box 759, Pierre, SD 57501/800-528-4868. \$24.00 yr.

Waffenmarkt-Intern

GFI-Verlag, Theodor-Heuss Ring 62, 50668 K"ln, Germany. Only for gunsmiths, licensed firearms dealers and their suppliers in Germany, Austria and Switzerland.

Wild Sheep (M) (Q)

Foundation for North American Wild Sheep, 720 Allen Ave., Cody, WY 82414. Website: http://igi.com/os/non/fnaws.htm; e-mail: fnaws@wyoming.com. Official journal of the foundation.

Wisconsin Outdoor Journal

Krause Publications, 700 E. State St., Iola, WI 54990-0001. \$17.97 yr. (8 issues). For Wisconsin's avid hunters and fishermen, with features from all over that state with regional reports, legislative updates, etc. Website: www.krause.com

Women & Guns

P.O. Box 488, Sta. C, Buffalo, NY 14209. \$24.00 yr. U.S.; \$72.00 foreign (12 issues). Only magazine edited by and for women gun owners.

World War II*

Cowles History Group, 741 Miller Dr. SE, Suite D-2, Leesburg, VA 20175-8920. Annual subscriptions \$19.95 U.S.; \$25.95 Canada; 43.95 foreign. The title says it—WWII; good articles, ads, etc.

*Published bi-monthly

†Published weekly

‡Published three times per month. All others are published monthly.

M=Membership requirements; write for details.

Q=Published Quarterly.

ARMS ASSOCIATIONS

UNITED STATES

ALABAMA

Alabama Gun Collectors Assn.
Secretary, P.O. Box 70965,
Tuscaloosa, AL 35407

ALASKA

Alaska Gun Collectors Assn., Inc.
C.W. Floyd, Pres., 5240 Little Tree,
Anchorage, AK 99507

ARIZONA

Arizona Arms Assn.
Don DeBusk, President, 4837
Bryce Ave., Glendale, AZ 85301

CALIFORNIA

California Cartridge Collectors Assn.
Rick Montgomery, 1729 Christina,
Stockton, CA
95204/209-463-7216 evs.

California Waterfowl Assn.
4630 Northgate Blvd., #150,
Sacramento, CA 95834
Greater Calif. Arms & Collectors Assn.
Donald L. Bullock, 8291 Carburton
St., Long Beach, CA 90808-3302

Los Angeles Gun Ctg. Collectors Assn.
F.H. Ruffra, 20810 Amie Ave., Apt.
#9, Torrance, CA 90503

Stock Gun Players Assn.
6038 Apptian Way, Long Beach,
CA, 90803

COLORADO

Colorado Gun Collectors Assn.
L.E. (Bud) Greenwald, 2553 S.
Quitman St., Denver, CO
80219/303-935-3850

Rocky Mountain Cartridge Collectors Assn.
John Roth, P.O. Box 757, Conifer,
CO 80433

CONNECTICUT

Ye Connecticut Gun Guild, Inc.
Dick Fraser, P.O. Box 425,
Windsor, CT 06095

FLORIDA

Unified Sportsmen of Florida
P.O. Box 6565, Tallahassee, FL
32314

GEORGIA

Georgia Arms Collectors Assn., Inc.
Michael Kindberg, President, P.O.
Box 277, Alpharetta, GA
30239-0277

ILLINOIS

Illinois State Rifle Assn.
P.O. Box 637, Chatsworth, IL
60921

Mississippi Valley Gun & Cartridge Coll. Assn.
Bob Filbert, P.O. Box 61, Port
Byron, IL 61275/309-523-2593

Sauk Trail Gun Collectors
Gordell M. Matson, P.O. Box 1113,
Milan, IL 61264

Wabash Valley Gun Collectors Assn., Inc.
Roger L. Dorsett, 2601 Willow Rd.,
Urbana, IL 61801/217-384-7302

INDIANA

Indiana State Rifle & Pistol Assn.
Thos. Glancy, P.O. Box 552,
Chesterton, IN 46304

Southern Indiana Gun Collectors Assn., Inc.
Sheila McClary, 309 W. Monroe
St., Boonville, IN
47601/812-897-3742

IOWA

Beaver Creek Plainsmen Inc.
Steve Murphy, Secy., P.O. Box 298,

Bondurant, IA 50035
Central States Gun Collectors Assn.
Dennis Greischar, Box 841, Mason
City, IA 50402-0841

KANSAS

Kansas Cartridge Collectors Assn.
Bob Linder, Box 84, Plainville, KS
67663

KENTUCKY

Kentuckiana Arms Collectors Assn.
Charles Billips, President, Box
1776, Louisville, KY 40201
Kentucky Gun Collectors Assn., Inc.
Ruth Johnson, Box 64,
Owensboro, KY
42302/502-729-4197

LOUISIANA

Washitaw River Renegades
Sandra Rushing, P.O. Box 256,
Main St., Grayson, LA 71435

MARYLAND

Baltimore Antique Arms Assn.
Mr. Cillo, 1034 Main St.,
Darlinton, MD 21304

MASSACHUSETTS

Bay Colony Weapons Collectors, Inc.
John Brandt, Box 111, Hingham,
MA 02043
Massachusetts Arms Collectors
Bruce E. Skinner, P.O. Box 31, No.
Carver, MA 02355/508-866-5259

MICHIGAN

Association for the Study and Research of .22 Caliber Rimfire Cartridges
George Kass, 4512 Nakoma Dr.,
Okemos, MI 48864

MINNESOTA

Sioux Empire Cartridge Collectors Assn.
Bob Cameron, 14597 Glendale
Ave. SE, Prior Lake, MN 55372

MISSISSIPPI

Mississippi Gun Collectors Assn.
Jack E. Swinney, P.O. Box 16323,
Hattiesburg, MS 39402

MISSOURI

Greater St. Louis Cartridge Collectors Assn.
Don MacChesney, 634 Scottsdale
Rd., Kirkwood, MO 63122-1109
Mineral Belt Gun Collectors Assn.
D.F. Saunders, 1110 Cleveland
Ave., Monett, MO 65708
Missouri Valley Arms Collectors Assn., Inc.
L.P. Brammer II, Membership
Secy., P.O. Box 33033, Kansas
City, MO 64114

MONTANA

Montana Arms Collectors Assn.
Dean E. Yearout, Sr., Exec. Secy.,
1516 21st Ave. S., Great Falls, MT
59405

Weapons Collectors Society of Montana
R.G. Schipf, Ex. Secy., 3100
Bancroft St., Missoula, MT
59801/406-728-2995

NEBRASKA

Nebraska Cartridge Collectors Club
Gary Muckel, P.O. Box 84442,
Lincoln, NE 68501

NEW HAMPSHIRE

New Hampshire Arms Collectors, Inc.
James Stamatelos, Secy., P.O. Box
5, Cambridge, MA 02139

NEW JERSEY

Englishtown Benchrest Shooters Assn.
Michael Toth, 64 Cooke Ave.,
Carteret, NJ 07008

Jersey Shore Antique Arms Collectors
Joe Sisia, P.O. Box 100, Bayville,
NJ 08721-0100

New Jersey Arms Collectors Club, Inc.
Angus Laidlaw, Vice President,
230 Valley Rd., Montclair, NJ
07042/201-746-0939; e-mail:
acclaidlaw@juno.com

NEW YORK

Iroquois Arms Collectors Assn.
Bonnie Robinson, Show Secy.,
P.O. Box 142, Ransomville, NY
14131/716-791-4096

Mid-State Arms Coll. & Shooters Club
Jack Ackerman, 24 S. Mountain
Terr., Binghamton, NY 13903

NORTH CAROLINA

North Carolina Gun Collectors Assn.
Jerry Ledford, 3231-7th St. Dr. NE,
Hickory, NC 28601

OHIO

Ohio Gun Collectors Assn.
P.O. Box 9007, Maumee, OH
43537-9007/419-897-0861;
Fax:419-897-0860

Shotshell Historical and Collectors Society
Madeline Bruemmer, 3886 Dawley
Rd., Ravenna, OH 44266

The Stark Gun Collectors, Inc.
William I. Gann, 5666 Waynesburg
Dr., Waynesburg, OH 44688

OREGON

Oregon Arms Collectors Assn., Inc.
Phil Bailey, P.O. Box 13000-A,
Portland, OR
97213-0017/503-281-6864;
off.:503-281-0918

Oregon Cartridge Collectors Assn.
Boyd Northrup, P.O. Box 285,
Rhododendron, OR 97049

PENNSYLVANIA

Presque Isle Gun Collectors Assn.
James Welch, 156 E. 37 St., Erie,
PA 16504

SOUTH CAROLINA

Belton Gun Club, Inc.
Attn. Secretary, P.O. Box 126,
Belton, SC 29627/864-369-6767

Gun Owners of South Carolina
Membership Div.: William Strozier,
Secretary, P.O. Box 70, Johns
Island, SC
29457-0070/803-762-3240;
Fax:803-795-0711;
e-mail:76053.222@compuserve.com

SOUTH DAKOTA

Dakota Territory Gun Coll. Assn., Inc.
Curt Carter, Castlewood, SD 57223

TENNESSEE

Smoky Mountain Gun Coll. Assn., Inc.
Hugh W. Yabro, President, P.O.
Box 23225, Knoxville, TN 37933

Tennessee Gun Collectors Assn., Inc.
M.H. Parks, 3556 Pleasant Valley
Rd., Nashville, TN 37204-3419

TEXAS

Houston Gun Collectors Assn., Inc.
P.O. Box 741429, Houston, TX
77274-1429

Texas Gun Collectors Assn.
Bob Eder, Pres., P.O. Box 12067, El
Paso, TX 79913/915-584-8183

Texas State Rifle Assn.
1131 Rockingham Dr., Suite 101,
Richardson, TX 75080-4326

VIRGINIA

Virginia Gun Collectors Assn., Inc.
Addison Hurst, Secy., 38802
Charlestown Height, Waterford, VA
20197/540-882-3543

WASHINGTON

Association of Cartridge Collectors on the Pacific Northwest
Robert Jardin, 14214 Meadowlark
Drive KPN, Gig Harbor, WA 98329

Washington Arms Collectors, Inc.
Joyce Boss, P.O. Box 389, Renton,
WA, 98057-0389/206-255-8410

WISCONSIN

Great Lakes Arms Collectors Assn., Inc.
Edward C. Warnke, 2913
Woodridge Lane, Waukesha, WI
53188

Wisconsin Gun Collectors Assn., Inc.
Lulita Zellmer, P.O. Box 181,
Sussex, WI 53089

WYOMING

Wyoming Weapons Collectors
P.O. Box 284, Laramie, WY
82073/307-745-4652 or 745-9530

NATIONAL ORGANIZATIONS

Amateur Trapshooting Assn.
David D. Bopp, Exec. Director, 601
W. National Rd., Vandalia, OH
45377/937-898-4638;
Fax:937-898-5472

American Airgun Field Target Assn.
5911 Cherokee Ave., Tampa, FL
33604

American Coon Hunters Assn.
Opal Johnston, P.O. Cadet, Route
1, Box 492, Old Mines, MO 63630

American Custom Gunmakers Guild
Jan Billeb, Exec. Director, 22 Vista
View Drive, Cody, WY 82414-9606
(307) 587-4297 (phone/fax).
Email: acgg@acgg.org Website:
www.acgg.org

American Defense Preparedness Assn.
Two Colonial Place, 2101 Wilson
Blvd., Suite 400, Arlington, VA
22201-3061

American Paintball League
P.O. Box 3561, Johnson City, TN
37602/800-541-9169

American Pistolsmiths Guild
Alex B. Hamilton, Pres., 1449 Blue
Crest Lane, San Antonio, TX
78232/210-494-3063

American Police Pistol & Rifle Assn.
3801 Biscayne Blvd., Miami, FL
33137

American Single Shot Rifle Assn.
Gary Staup, Secy., 709 Carolyn Dr.,
Delphos, OH
45833/419-692-3866. Website:
www.assra.com

American Society of Arms Collectors
George E. Weatherly, P.O. Box
2567, Waxahachie, TX 75165

American Tactical Shooting Assn. (A.T.S.A.)
c/o Skip Gochenour, 2600 N. Third
St., Harrisburg, PA
17110/717-233-0402;
Fax:717-233-5340

Association of Firearm and Tool Mark Examiners
Lannie G. Emanuel, Secy.,
Southwest Institute of Forensic
Sciences, P.O. Box 35728, Dallas,
TX 75235/214-920-5979;
Fax:214-920-5928; Membership
Secy., Ann D. Jones, VA Div. of
Forensic Science, P.O. Box 999,
Richmond, VA
23208/804-786-4706;
Fax:804-371-8328

Boone & Crockett Club
250 Station Dr., Missoula, MT
59801-2753

Browning Collectors Assn.
Secretary: Scherrie L. Brennack,
2749 Keith Dr., Villa Ridge, MO
63089/314-742-0571

The Cast Bullet Assn., Inc.
Ralland J. Fortier, Editor, 4103
Foxcraft Dr., Traverse City, MI
49684

Citizens Committee for the Right to Keep and Bear Arms
Natl. Hq., Liberty Park, 12500 NE
Tenth Pl., Bellevue, WA 98005

Colt Collectors Assn.
25000 Highland Way, Los Gatos,
CA 95030/408-353-2658.
Contemporary Longrifle
Association
P.O. Box 2097, Staunton, VA
24402/540-886-6189. Website:
www.CLA@longrifle.us

Ducks Unlimited, Inc.
Natl. Headquarters, One Waterfowl
Way, Memphis, TN
38120/901-758-3937

Fifty Caliber Shooters Assn.
PO Box 111, Monroe UT
84754-0111

Firearms Coalition/Neal Knox Associates
Box 6537, Silver Spring, MD
20906/301-871-3006

Firearms Engravers Guild of America
Rex C. Pedersen, Secy., 511 N.
Rath Ave., Lundington, MI
49431/616-845-7695 (Phone and
Fax)

Foundation for North American Wild Sheep
720 Allen Ave., Cody, WY
82414-3402/web site:
http://iigi.com/os/non/fnaws/fnaws.htm; e-mail:
fnaws@wyoming.com

Freedom Arms Collectors Assn.
P.O. Box 160302, Miami, FL
33116-0302

Grand Collectors Assn.
P.O. Box 181, Richmond, KY
40475

Glock Collectors Association
P.O. Box 1063, Maryland Heights,
MO 63043/314-878-2061
phone/FAX.

Glock Shooting Sports Foundation
BO Box 309, Smyrna GA 30081
770-432-1202 Website:
www.gssfonline.com

Golden Eagle Collectors Assn. (G.E.C.A.)
Chris Showler, 11144 Slate Creek
Rd., Grass Valley, CA 95945

Gun Owners of America
8001 Forbes Place, Suite 102,
Springfield, VA
22151/703-321-8585

Handgun Hunters International
J.D. Jones, Director, P.O. Box 357

ARMS ASSOCIATIONS

MAG, Bloomingdale, OH 43910
Harrington & Richardson Gun Coll. Assn.

George L. Cardet, 330 S.W. 27th Ave., Suite 603, Miami, FL 33135
High Standard Collectors' Assn.
 John J. Stimson, Jr., Pres., 540 W. 92nd St., Indianapolis, IN 46260
 Website: www.highstandard.org

Hopkins & Allen Arms & Memorabilia Society (HAAMS)
 P.O. Box 187, 1309 Pamela Circle, Delphos, OH 45833

International Ammunition Association, Inc.
 C.R. Punnett, Secy., 8 Hillock Lane, Chadds Ford, PA 19317/610-358-1285; Fax: 610-358-1560

International Benchrest Shooters
 Joan Borden, RR1, Box 250BB, Springville, PA 18844/717-965-2366

International Blackpowder Hunting Assn.
 P.O. Box 1180, Glenrock, WY 82637/307-436-9817

IHMSA (Intl. Handgun Metallic Silhouette Assn.)
 PO Box 368, Burlington, IA 52601
 Website: www.ihmsa.org

International Society of Mauser Arms Collectors
 Michael Kindberg, Pres., P.O. Box 277, Alpharetta, GA 30239-0277

Jews for the Preservation of Firearms Ownership (JPFO)
 501(c)(3)
 2872 S. Wentworth Ave., Milwaukee, WI 53207/414-769-0760; Fax: 414-483-8435

The Mannlicher Collectors Assn.
 Membership Office: P.O. Box 1249, The Dalles, Oregon 97058

Marlin Firearms Collectors Assn., Ltd.
 Dick Paterson, Secy., 407 Lincoln Bldg., 44 Main St., Champaign, IL 61820

Merwin Hulbert Association,
 2503 Kentwood Ct., High Point, NC 27265

Miniature Arms Collectors/Makers Society, Ltd.
 Ralph Koebberman, Pres., 4910 Kilburn Ave., Rockford, IL 61101/815-964-2569

M1 Carbine Collectors Assn. (M1-CCA)
 623 Apaloosa Ln., Gardnerville, NV 89410-7840

National Association of Buckskinners (NAB)
 Territorial Dispatch—1800s Historical Publication, 4701 Marion St., Suite 324, Livestock Exchange Bldg., Denver, CO 80216/303-297-9671

The National Association of Derringer Collectors
 P.O. Box 20572, San Jose, CA 95160

National Assn. of Federally Licensed Firearms Dealers
 Andrew Molchan, 2455 E. Sunrise, Ft. Lauderdale, FL 33304

National Association to Keep and Bear Arms
 P.O. Box 78336, Seattle, WA 98178

National Automatic Pistol Collectors Assn.
 Tom Knox, P.O. Box 15738, Tower Grove Station, St. Louis, MO 63163

National Bench Rest Shooters Assn., Inc.
 Pat Ferrell, 2835 Guilford Lane, Oklahoma City, OK 73120-4404/405-842-9585; Fax: 405-842-9575

National Muzzle Loading Rifle Assn.
 Box 67, Friendship, IN 47021 / 812-667-5131. Website: www.nmlra.com

National Professional Paintball League (NPPL)
 540 Main St., Mount Kisco, NY 10549/914-241-7400

National Reloading Manufacturers Assn.
 One Centerpointe Dr., Suite 300, Lake Oswego, OR 97035

National Rifle Assn. of America
 11250 Waples Mill Rd., Fairfax, VA 22030 / 703-267-1000. Website: www.nra.org

National Shooting Sports Foundation, Inc.
 Doug Painter, President, Flintlock Ridge Office Center, 11 Mile Hill Rd., Newtown, CT 06470-2359/203-426-1320; Fax: 203-426-1087

National Skeet Shooting Assn.
 Dan Snyuder, Director, 5931 Rof Road, San Antonio, TX 78253-9261/800-877-5338. Website: nssa-nasca.com

National Sporting Clays Association
 Ann Myers, Director, 5931 Rof Road, San Antonio, TX 78253-9261/800-877-5338. Website: nssa-nasca.com

National Wild Turkey Federation, Inc.
 P.O. Box 530, 770 Augusta Rd., Edgefield, SC 29824

North American Hunting Club
 P.O. Box 3401, Minnetonka, MN 55343/612-936-9333; Fax: 612-936-9755

North American Paintball Referees Association (NAPRA)
 584 Cestarc Dr., Milpitas, CA 95035

North-South Skirmish Assn., Inc.
 Stevan F. Meserve, Exec. Secretary, 507 N. Brighton Court, Sterling, VA 20164-3919

Old West Shooter's Association
 712 James Street, Hazel TX 76020 817-444-2049

Remington Society of America
 Gordon Fosburg, Secretary, 11900 North Brinton Road, Lake, MI 48623

Rocky Mountain Elk Foundation
 P.O. Box 8249, Missoula, MT 59807-8249/406-523-4500; Fax: 406-523-4581
 Website: www.rmef.org

Ruger Collector's Assn., Inc.
 P.O. Box 240, Greens Farms, CT 06436

Safari Club International
 4800 W. Gates Pass Rd., Tucson, AZ 85745/520-620-1220

Sako Collectors Assn., Inc.
 Jim Lutes, 202 N. Locust, Whitewater, KS 67154

Second Amendment Foundation
 James Madison Building, 12500 NE 10th Pl., Bellevue, WA 98005

Single Action Shooting Society (SASS)
 23255-A La Palma Avenue, Yorba Linda, CA 92887/714-694-1800; Fax: 714-694-1815/email: sasseot@aol.com Website: www.sassnet.com

Smith & Wesson Collectors Assn.
 Cally Pletl, Admin. Asst., PO Box 444, Afton, NY 13730

The Society of American Bayonet Collectors
 P.O. Box 234, East Islip, NY 11730-0234

Southern California Schuetzen Society
 Dean Lillard, 34657 Ave. E., Yucaipa, CA 92399

Sporting Arms and Ammunition Manufacturers' Institute (SAAMI)
 Flintlock Ridge Office Center, 11 Mile Hill Rd., Newtown, CT 06470-2359/203-426-4358; Fax: 203-426-1087

Sporting Clays of America (SCA)
 Ron L. Blosser, Pres., 9257 Buckeye Rd., Sugar Grove, OH 43155-9632/614-746-8334; Fax: 614-746-8605

Steel Challenge
 23234 Via Barra, Valencia CA 91355 Website: www.steelchallenge.com

The Thompson/Center Assn.
 Joe Wright, President, Box 792, Northboro, MA 01532/508-845-6960

U.S. Practical Shooting Assn./IPSC
 Dave Thomas, P.O. Box 811, Sedro Woolley, WA 98284/360-855-2245 Website: www.uspsa.org

U.S. Revolver Assn.
 Brian J. Barer, 40 Larchmont Ave., Taunton, MA 02780-824-4836

U.S.A. Shooting
 U.S. Olympic Shooting Center, One Olympic Plaza, Colorado Springs, CO 80909/719-578-4670. Website: www.usashooting.org

The Varmint Hunters Assn., Inc.
 Box 759, Pierre, SD 57501/Member Services 800-528-4868

Weatherby Collectors Assn., Inc.
 P.O. Box 478, Pacific, MO 63069 Website: www.weatherbycollectors.com Email: WCAsecretary@aol.com

The Wildcatters
 P.O. Box 170, Greenville, WI 54942

Winchester Arms Collectors Assn.
 P.O. Box 230, Brownsboro, TX 75756/903-852-4027

The Women's Shooting Sports Foundation (WSSF)
 4620 Edison Avenue, Ste. C, Colorado Springs, CO 80915/719-638-1299; Fax: 719-638-1271/email: wssf@worldnet.att.net

ARGENTINA
Asociacion Argentina de Coleccionistas de Armes y Municiones
 Castilla de Correos No. 28, Succursal I B, 1401 Buenos Aires, Republica Argentina

AUSTRALIA
Antique & Historical Arms Collectors of Australia
 P.O. Box 5654, GCMC Queensland 9726, Australia

The Arms Collector's Guild of Queensland, Inc.
 Ian Skennerton, P.O. Box 433, Ashmore City 4214, Queensland, Australia

Australian Cartridge Collectors Assn., Inc.
 Bob Bennett, 126 Landscape Dr., E. Doncaster 3109, Victoria, Australia

Sporting Shooters Assn. of Australia, Inc.
 P.O. Box 2066, Kent Town, SA 5071, Australia

BRAZIL
Associação de Armaria Coleção e Tiro (ACOLTI)
 Rua do Senado, 258 - 2 andar, Centro, Rio de Janeiro - RJ - 20231-002 Brazil / tel: 0055-21-31817989

CANADA
ALBERTA
Canadian Historical Arms Society
 P.O. Box 901, Edmonton, Alb., Canada T5J 2L8

National Firearms Assn.
 Natl. Hq: P.O. Box 1779, Edmonton, Alb., Canada T5J 2P1

BRITISH COLUMBIA
The Historical Arms Collectors of B.C. (Canada)
 Harry Moon, Pres., P.O. Box 50117, South Slope RPO, Burnaby, BC V5J 5G3, Canada/604-438-0950; Fax: 604-277-3646

ONTARIO
Association of Canadian Cartridge Collectors
 Monica Wright, RR 1, Millgrove, ON, LOR 1V0, Canada

Tri-County Antique Arms Fair
 P.O. Box 122, RR #1, North Lancaster, Ont., Canada K0C 1Z0

EUROPE
BELGIUM
European Cartridge Research Assn.
 Graham Irving, 21 Rue Schaltin, 4900 Spa, Belgium/32.87.77.43.40; Fax: 32.87.77.27.51

CZECHOSLOVAKIA
Spolectnost Pro Studium Naboju (Czech Cartridge Research Assn.)
 JUDr. Jaroslav Bubak, Pod Homolko 1439, 26601 Beroun 2, Czech Republic

DENMARK
Aquila Dansk Jagtpatron Historie Forening (Danish Historical Cartridge Collectors Club)
 Steen Elgaard Møller, Ulriksdalsvej 7, 4840 Nr. Aislev, Denmark 10045-53846218; Fax: 00455384 6209

ENGLAND
Arms and Armour Society
 Hon. Secretary A. Dove, P.O. Box 10232, London, SW19 2ZD, England

Dutch Paintball Federation
 Aceville Publ., Castle House 97 High Street, Colchester, Essex CO1 1TH, England/011-44-206-564840

European Paintball Sports Foundation
 c/o Aceville Publ., Castle House 97 High St., Colchester, Essex, CO1 1TH, England

Historical Breechloading Smallarms Assn.
 D.J. Penn M.A., Secy., P.O. Box 12778, London SE1 6BX, England. Journal and newsletter are \$23 a yr., including airmail.

National Rifle Assn.
 (Great Britain) Bisley Camp, Brookwood, Woking Surrey GU24 0PB, England/01483.797777; Fax: 014730686275

United Kingdom Cartridge Club
 Ian Southgate, 20 Millfield, Elmley Castle, Nr. Pershore, Worcestershire, WR10 3HR, England

FRANCE
STAC-Western Co.
 3 Ave. Paul Doumer (N.311); 78360 Montesson, France/01.30.53-43-65; Fax: 01.30.53.19.10

GERMANY
Bund Deutscher Sportschützen e.v. (BDS)
 Borsigallee 10, 53125 Bonn 1, Germany

Deutscher Schützenbund
 Lahnrstrasse 120, 65195 Wiesbaden, Germany

NORWAY
Scandinavian Ammunition Research Assn.
 c/o Morten Stoen, Annerudstubbek 3, N-1383 Asker, Norway

NEW ZEALAND
New Zealand Cartridge Collectors Club
 Terry Castle, 70 Tiraumea Dr., Pakuranga, Auckland, New Zealand

New Zealand Deerstalkers Assn.
 P.O. Box 6514 TE ARO, Wellington, New Zealand

SOUTH AFRICA
Historical Firearms Soc. of South Africa
 P.O. Box 145, 7725 Newlands, Republic of South Africa

Republic of South Africa Cartridge Collectors Assn.
 Arno Klee, 20 Eugene St., Malanshof Randburg, Gauteng 2194, Republic of South Africa

S.A.A.C.A. (Southern Africa Arms and Ammunition Assn.)
 Gauteng office: P.O. Box 7597, Weltevreden Park, 1715, Republic of South Africa/011-679-1151; Fax: 011-679-1131; e-mail: saaaca@iafrica.com. Kwa-Zulu Natal office: P.O. Box 4065, Northway, Kwazulu-Natal 4065, Republic of South Africa

SAGA (S.A. Gunowners' Assn.)
 P.O. Box 35203, Northway, Kwazulu-Natal 4065, Republic of South Africa

SPAIN
Asociacion Espanola de Coleccionistas de Cartuchos (A.E.C.C.)
 Secretary: Apdo. Correos No. 1086, 2880-Alcala de Henares (Madrid), Spain. President: Apdo. Correos No. 682, 50080 Zaragoza, Spain

ANNOTATED ARMS LIBRARY

SELECTED BIBLIOGRAPHY: GENERAL

2004 STANDARD CATALOG OF FIREARMS, 14TH EDITION, THE COLLECTOR'S PRICE & REFERENCE GUIDE, BY NED SCHWING, IOLA, WI: KRAUSE PUBLISHING, 2003. 14TH EDITION. 1,384 PAGES, ILLUSTRATED. 6,000+ B&W PHOTOS PLUS A 16-PAGE COLOR SECTION. SOFCOVER. \$34.95

This is the largest, most comprehensive and best-selling firearm book of all time! And this year's edition is a blockbuster for both shooters and firearm collectors. More than 25,000 firearms are listed and priced in up to six grades of condition. That's almost 110,000 prices! Gun enthusiasts will love the new full-color section of photos highlighting the finest firearms sold at auction this past year.

Action Shooting: Cowboy Style, by John Taffin, Krause Publications, Iola, WI, 1999. 320 pp., illustrated. \$39.95

Details on the guns and ammunition. Explanations of the rules used for many events. The essential cowboy wardrobe.

Advanced Muzzleloader's Guide, by Toby Bridges, Stoeger Publishing Co., So. Hackensack, NJ, 1985. 256 pp., illus. Paper covers. \$14.95

The complete guide to muzzle-loading rifles, pistols and shotguns—flintlock and percussion.

Aids to Musketry for Officers & NCOs, by Capt. B.J. Friend, Excalibur Publications, Latham, NY, 1996. 40 pp., illus. Paper covers. \$7.95

A facsimile edition of a pre-WWI British manual filled with useful information for training the common soldier.

Airgun Odyssey, by Steve Hanson. Manchester, CT: Precision Shooting, Inc., 2004. 1st edition. 175 pages. Pictorial softcover. \$28.95

The evolution of today's precision air rifle is traced from the early (and recent) lever action B-B guns to the cost-in-four-figures target and hunting guns now available. The pros and cons of the airgun calibers are discussed in depth for both hunting and target applications. Airguns from foreign manufacturers are given in-depth review as are the popular airgun-specializing gunsmiths operating today. The book's chapter titles give a capsule of the book's contents: Airgun Evolution & Trends... Airgun Propulsion Systems... Airgun Varmint Hunting & Pest Control... American Field Target... Introduction to BR 4000 ... Airgun Tests/Current Production Guns... Airgun Tests/Classic & Discontinued Guns ... Spring-Piston Airgun Tuning... Building A New PCP Airgun for the Sport of American Field Target... Supplier's Index (Airgun Periodicals, Suppliers, Services, Parts & Accessories).

American Air Rifles, by James E. House. Krause Publications, Iola, WI. 2002. 1st edition. 208 pages, with 198 b&w photos. Softcover. \$22.95

Air rifle ballistics, sights, pellets, games, and hunting caliber recommendations are thoroughly explained to help shooters get the most out of their American air rifles. Evaluation of more than a dozen American-made and American-imported air rifle models.

The American B.B. Gun: A Collector's Guide, by Arni T. Dunathan. A.S. Barnes and Co., Inc., South Brunswick. 2001. 154 pages, illustrated with nearly 200 photographs, drawings and detailed diagrams. Hardcover. \$35.00

American and Imported Arms, Ammunition and Shooting Accessories, Catalog No. 18 of the Shooter's Bible, Stoeger, Inc., reprinted by Fayette Arsenal, Fayetteville, NC, 1988. 142 pp., illus. Paper covers. \$10.95

A facsimile reprint of the 1932 Stoeger's Shooter's Bible.

America's Great Gunmakers, by Wayne van Zwoell, Stoeger Publishing Co., So. Hackensack, NJ, 1992. 288 pp., illus. Paper covers. \$16.95

This book traces in great detail the evolution of guns and ammunition in America and the men who formed the companies that produced them.

Annie Oakley of the Wild West, by Walter Havighurst. New York: Castle Books, 2000. 246 pages. Hardcover. \$10.00

This book brings to life the complete story of "Little Sureshot"—not only her phenomenal sharp-shooting techniques and career in the Wild West Show, but also her fifty-year marriage to Frank Butler, himself a professional marksman.

Armed and Female, by Paxton Quigley, E.P. Dutton, New York, NY, 2001. 237 pp., illus. Softcover \$9.95

The first complete book on one of the hottest subjects in the media today, the arming of the American woman.

Arming the Glorious Cause: Weapons of the Second War for Independence, by James B. Whisker, Daniel D. Hartzler and Larry W. Yantz, R & R Books, Livonia, NY, 1998. 175 pp., illustrated. \$45.00

A photographic study of Confederate weapons.

Arms & Armor in the Art Institute of Chicago, by Walter J. Karcheski, Jr., Bulfinch Press, Boston, MA, 1995. 128 pp., illus. \$35.00

Now, for the first time, the Art Institute of Chicago's arms and armor collection is presented in the visual delight of 103 color illustrations.

Arms for the Nation: Springfield Longarms, edited by David C. Clark, Scott A. Duff, Export, PA, 1994. 73 pp., illus. Paper covers. \$9.95

A brief history of the Springfield Armory and the arms made there.

Arsenal of Freedom, The Springfield Armory, 1890-1948: A Year-by-Year Account Drawn from Official Records, compiled and edited by Lt. Col. William S. Brophy, USAR Ret., Andrew Mowbray, Inc., Lincoln, RI, 1991. 400 pp., illus. Soft covers. \$29.95

A "must buy" for all students of American military weapons, equipment and accoutrements.

Assault Pistols, Rifles and Submachine Guns, by Duncan Long, Paladin Press, Boulder, CO, 1997, 8 1/2 x 11, soft cover, photos, illus. 152 pp. \$21.95

This book offers up-to-date, practical information on how to operate and field-strip modern military, police and civilian combat weapons. Covers new developments and trends such as the use of fiber optics, liquid-recoil systems and lessening of barrel length are covered. Troubleshooting procedures, ballistic tables and a list of manufacturers and distributors are also included.

Assault Weapons, 5th Edition, The Gun Digest Book of, edited by Jack Lewis and David E. Steele, DBI Books, a division of Krause Publications, Iola, WI, 2000. 256 pp., illustrated. Paper covers. \$21.95

This is the latest word on true assault weaponry in use today by international military and law enforcement organizations.

The Belgian Rattlesnake: The Lewis Automatic Machine Gun, by William M. Easterly, Collector Grade Publications, Inc., Cobourg, Ont. Canada, 1998. 542 pp., illus. \$79.95

A social and technical biography of the Lewis automatic machine gun and its inventors.

The Benchrest Shooting Primer, by Brennan, Dave

(Editor). Precision Shooting, Inc., Manchester, CT 2000. 2nd edition. 420 pages, illustrated with b&w photographs, drawings and detailed diagrams. Pictorial softcover. \$24.95

The very best articles on shooting and reloading for the most challenging of all the rifle accuracy disciplines...benchrest shooting.

The Big Guns: Civil War Siege, Seacoast, and Naval Cannon, by Edwin Olmstead, Wayne E. Stark and Spencer C. Tucker, Museum Restoration Service, Bloomfield, Ontario, Canada, 1997. 360 pp., illus. \$80.00

This book is designed to identify and record the heavy guns available to both sides during the Civil War.

Blackpowder Loading Manual, 3rd Edition, by Sam Fadala, DBI Books, a division of Krause Publications, Iola, WI, 1995. 368 pp., illus. Paper covers. \$20.95

Revised and expanded edition of this landmark blackpowder loading book. Covers hundreds of loads for most of the popular blackpowder rifles, handguns and shotguns.

Black Powder, Pig Lead And Steel Silhouettes, by Paul A. Matthews. Wolfe Publishing, Prescott, AZ, 2002. 132 pages, illustrated with b&w photographs and detailed drawings and diagrams. Softcover. \$16.95

Bolt Action Rifles, 4th Edition, by Frank de Haas, DBI Books, a division of Krause Publications, Iola, WI, 2004. 628 pp., illus. Paper covers. \$27.95

A revised edition of the most definitive work on all major bolt-action rifle designs.

British Small Arms of World War 2, by Ian D. Skennerton, Arms & Militaria Press, Australia 1988. 110 pp., 37 illus. \$25.00.
Co2 Pistols and Rifles, by James E. House. Iola, WI: Krause Publications, 2004. 1st edition. 240 pages, with 198 b&w photos. Softcover. \$24.95

In this new guide to CO2-powered pistols and rifles, James E. House offers a comprehensive history of CO2 guns, dating back to the 1930s, and a discussion of propulsion, pellets, and sights. Beginning shooters are introduced to the market with a complete analysis on performance and accuracy of currently available products. Airgun enthusiasts are reunited with CO2 classics no longer being manufactured. This book also offers additional sections on target shooting, games, and varmints. Offers a comprehensive history of CO2 pistols and rifles dating back to the 1930s. Includes a categorical review of BB pistols, .177 caliber pistols, .20 and .22 caliber pistols, and rifles. Discover products currently available only on the secondary market.

Combat Handgunnery, 5th Edition, The Gun Digest Book of, by Chuck Taylor, DBI Books, a division of Krause Publications, Iola, WI, 2002. 256 pp., illus. Paper covers. \$21.95

This edition looks at real world combat handgunnery from three different perspectives—military, police and civilian.

The Complete Blackpowder Handbook, 4th Edition, by Sam Fadala, DBI Books, a division of Krause Publications, Iola, WI, 2002. 400 pp., illus. Paper covers. \$21.95.

Expanded and completely rewritten edition of the definitive book on the subject of blackpowder.

Custom Firearms Engraving, by Tom Turpin, Krause Publications, Iola, WI, 1999. 208 pp., illustrated. \$49.95

Provides a broad and comprehensive look at the world of firearms engraving. The exquisite styles of more than 75 master engravers are shown on beautiful examples of handguns, rifles, shotguns, and other firearms, as well as knives.

Dead On, by Tony Noblitt and Warren Gabrilka, Paladin Press, Boulder, CO, 1998. 176 pp., illustrated. Paper covers. \$22.00

The long-range marksman's guide to extreme accuracy.

Early American Flintlocks, by Daniel D. Hartzler and James B. Whisker, Bedford Valley Press, Bedford, PA 2000. 192 pp., Illustrated. \$45.00

Covers early Colonial Guns, New England Guns, Pennsylvania Guns and Souther Guns.

The Exercise of Armes, by Jacob de Gheyn, Dover Publications, Inc., Mineola, NY, 1999. 144 pp., illustrated. Paper covers. \$14.95

Republications of all 117 engravings from the 1607 classic military manual. A meticulously accurate portrait of uniforms and weapons of the 17th century Netherlands.

Fighting Iron; A Metals Handbook for Arms Collectors, by Art Gogan, Mowbray Publishers, Inc., Lincoln, RI, 2002. 176 pp., illustrated. \$28.00

A guide that is easy to use, explains things in simple English and covers all of the different historical periods that we are interested in.

The Fighting Submachine Gun, Machine Pistol, and Shotgun, by Timothy J. Mullin, Paladin Press, Boulder, CO, 1999. 224 pp., illustrated. Paper covers. \$35.00

An invaluable reference for military, police and civilian shooters who may someday need to know how a specific weapon actually performs when the targets are shooting back and the margin of errors is measured in lives lost.

Firearms Assembly Disassembly; Part 4 : Centerfire Rifles (2nd Edition), by J. B. Wood, Iola, WI: Krause Publications, 2004. 2nd edition. 576 pages, 1,750 b&w photos. Softcover. \$24.95

The increasing cost of gunsmithing services has caused enthusiasts to perform minor repairs, refinishing, and deep cleaning on their own firearms. This updated edition shows how to easily disassemble and reassemble centerfire rifles and the correct tools needed. Sixty-six popular guns are taken apart and individually photographed. The cross-reference index identifies more than 400 similar or identical rifle patterns that also follow these disassembly and reassembly directions. Covers the Argentine Mauser to Marlin Model 9 to Russian AK-47 to U.S. M-1 Garand to Winchester Model 1894.

From a Stranger's Doorstep to the Kremlin Gate, by Mikhail Kalashnikov, Ironside International Publishers, Inc., Alexandria, VA, 1999. 460 pp., illustrated. \$34.95

A biography of the most influential rifle designer of the 20th century. His AK-47 assault rifle has become the most widely used (and copied) assault rifle of this century.

The Frontier Rifleman, by H.B. LaCrosse Jr., Pioneer Press, Union City, TN, 1989. 183 pp., illus. Soft covers. \$17.50

The Frontier rifleman's clothing and equipment during the era of the American Revolution, 1760-1800.

The Gatling Gun: 19th Century Machine Gun to 21st Century Vulcan, by Joseph Berk, Paladin Press, Boulder, CO, 1991. 136 pp., illus. \$34.95

Here is the fascinating on-going story of a truly timeless weapon, from its beginnings during the Civil War to its current role as a state-of-the-art modern combat system.

German Artillery of World War Two, by Ian V. Hogg, Stackpole Books, Mechanicsburg, PA, 1997. 304 pp., illus. \$44.95

Complete details of German artillery use in WWII.

Gone Diggin: Memoirs Of A Civil War Relic Hunter, by **Toby Law**. Orange, VA: **Publisher's Press**, 2002. 1st edition signed. 151 pages, illustrated with b&w photos. \$24.95

The true story of one relic hunter's life - The author kept exacting records of every relic hunt and every relic hunter he was with working with.

Grand Old Lady of No Man's Land: The Vickers Machine Gun, by **Dolf L. Goldsmith**, Collector Grade Publications, Cobourg, Canada, 1994. 600 pp., illus. \$79.95.

Goldsmith brings his years of experience as a U.S. Army armorer, machine gun collector and shooter to bear on the Vickers, in a book sure to become a classic in its field.

Greenhill Military Manuals; Small Arms: Pistols and Rifles, by **Ian Hogg**; London: **Greenhill Press**, 2003. Revised. 160 pages, illustrated. Hardcover. \$24.00

This handy reference guide, by the leading small arms author, provides descriptions, technical specifications and illustrations of 75 of the most important pistols and rifles, including the Heckler & Koch USP/SOCOM pistols, the FN Five-seven 5.7mm pistol, the Heckler & Koch G36 rifle and much more.

Gun Digest 2005, 59th Edition, edited by **Ken Ramage**, DBI Books a division of Krause Publications, Iola, WI, 2002. 544 pp., illustrated. Paper covers. \$27.95

This all new 58th edition continues the editorial excellence, quality, content and comprehensive cataloguing that firearms enthusiasts have come to know and expect. The most read gun book in the world for the last half century.

Gun Engraving, by **C. Austyn**, Safari Press Publication, Huntington Beach, CA, 1998. 128 pp., plus 24 pages of color photos. \$50.00

A well-illustrated book on fine English and European gun engravers. Includes a fantastic pictorial section that lists types of engravings and prices.

Gun Talk, edited by **Dave Moreton**, Winchester Press, Piscataway, NJ, 1973. 256 pp., illus. \$9.95

A treasury of original writing by the top gun writers and editors in America. Practical advice about every aspect of the shooting sports.

The Gun That Made the Twenties Roar, by **Wm. J. Helmer**, The Gun Room Press, Highland Park, NJ, 1977. Over 300 pp., illus. \$24.95

Historical account of John T. Thompson and his invention, the infamous "Tommy Gun."

Gun Trader's Guide (2005 - 26th Edition), by **Jarrett (ed.)**. Pocomoke, MD: **Stoeger Publishing**, 2004. 26th edition. Softcover. \$21.99

The Gun Trader's Guide has been the standard reference for collectors, dealers, shooters and gun enthusiasts since 1953. This 592 page edition provides complete updated specifications, dates of manufacture and current market average values for over 6,000 handguns, rifles and shotguns, both foreign and domestic. A complete index is provided for easy reference to all guns plus handy thumb tabs help readers find, identify and price firearms with ease.

Guns Illustrated 2004, 24th Edition, edited by **Ken Ramage**, DBI Books a division of Krause Publications, Iola, WI, 2003. 388 pp., illustrated. Softcovers. \$24.95

Highly informative, technical articles on a wide range of shooting topics by some of the top writers in the industry. A catalog section lists more than 3,000 firearms currently manufactured in or imported to the U.S.

Guns & Shooting: A Selected Bibliography, by **Ray Riling**,

Ray Riling Arms Books Co., Phila., PA, 1982. 434 pp., illus. Limited, numbered edition. \$75.00

A limited edition of this superb bibliographical work, the only modern listing of books devoted to guns and shooting.

Guns, Bullets, and Gunfighters, by **Jim Cirillo**, Paladin Press, Boulder, CO, 1996. 119 pp., illus. Paper covers. \$16.00

Lessons and tales from a modern-day gunfighter.

Hidden in Plain Sight, "A Practical Guide to Concealed Handgun Carry" (Revised 2nd Edition), by **Trey Bloodworth and Mike Raley**, Paladin Press, Boulder, CO, 1997, softcover, photos, 176 pp. \$20.00

Concerned with how to comfortably, discreetly and safely exercise the privileges granted by a CCW permit? This invaluable guide offers the latest advice on what to look for when choosing a CCW, how to dress for comfortable, effective concealed carry, traditional and more unconventional carry modes, accessory holsters, customized clothing and accessories, accessibility data based on draw-time comparisons and new holsters on the market. Includes 40 new manufacturer listings.

HK Assault Rifle Systems, by **Duncan Long**, Paladin Press, Boulder, CO, 1995. 110 pp., illus. Paper covers. \$27.95

The little known history behind this fascinating family of weapons tracing its beginnings from the ashes of World War Two to the present time.

The Hunter's Guide to Accurate Shooting, by **Wayne Van Zwoll**, Guilford, CT: **Lyons Press**, 2002. 1st edition. 288 pp. Hardcover. \$29.95

Firearms expert Van Zwoll explains exactly how to shoot the big-game rifle accurately. Taking into consideration every pertinent factor, he shows a step-by-step analysis of shooting and hunting with the big-game rifle.

Jack O'Connor Catalogue of Letters, by **Enzler-Herring, E.** Cataloguer. Agoura CA: **Trophy Room Books**, 2002. 262 pages, 18 illustrations. Hardcover. \$55.00

During a sixteen-year period beginning in 1960, O'Connor exchanged many letters with his pal, John Jobson. Material from nearly three hundred of these has been assembled and edited by Ellen Enzler Herring and published in chronological order. A number of the letters have been reproduced in full or part. They offer considerable insight into the beloved gun editor and "Dean of Outdoor Writers" over and beyond what we know about him from his books.

Jack O'Connor - The Legendary Life Of America's Greatest Gunwriter, by **R. Anderson**. Long Beach, CA: **Safari Press**, 2002. 1st edition. 240pp, profuse photos. Hardcover. \$29.95

This is the book all hunters in North America have been waiting for--the long-awaited biography on Jack O'Connor! Jack O'Connor was the preeminent North American big-game hunter and gunwriter of the twentieth century, and Robert Anderson's masterfully written new work is a blockbuster filled with fascinating facts and stories about this controversial character. With the full cooperation of the O'Connor children, Anderson spent three years interviewing O'Connor's family and friends as well as delving into JOC's papers, photos, and letters, including the extensive correspondence between O'Connor and Bob Householder, and the O'Connor papers from Washington State University. O'Connor's lifelong friend Buck Buckner has contributed two chapters on his experiences with the master of North American hunting.

Joe Rychertnik Reflects on Guns, Hunting, and Days Gone by, by **Joe Rychertnik**, Precision Shooting, Inc., Manchester, CT, 1999. 281 pp., illustrated. Thirty articles

by a master story-teller. Paper covers. \$16.95.

Kill or Get Killed, by Col. Rex Applegate, Paladin Press, Boulder, CO, 1996. 400 pp., illus. \$49.95

The best and longest-selling book on close combat in history.

Manual for H&R Reising Submachine Gun and Semi-Auto Rifle, edited by George P. Dillman, Desert Publications, El Dorado, AZ, 1994. 81 pp., illus. Paper covers. \$14.95

A reprint of the Harrington & Richardson 1943 factory manual and the rare military manual on the H&R submachine gun and semi-auto rifle.

Military Rifle & Machine Gun Cartridges, by Jean Huon, Paladin Press, Boulder, CO, 1990. 392 pp., illus. \$34.95

Describes the primary types of military cartridges and their principal loadings, as well as their characteristics, origin and use.

Military Small Arms of the 20th Century, 7th Edition, by Ian V. Hogg and John Weeks, DBI Books, a division of Krause Publications, Iola, WI, 2000. 416 pp., illustrated. Paper covers. Over 800 photographs and illustrations. \$24.95

Cover small arms of 46 countries.

Modern Custom Guns, Walnut, Steel, and Uncommon Artistry, by Tom Turpin, Krause Publications, Iola, WI, 1997. 206 pp., illus. \$49.95

From exquisite engraving to breathtaking exotic woods, the mystique of today's custom guns is expertly detailed in word and awe-inspiring color photos of rifles, shotguns and handguns.

Modern Gun Values: 12th Edition, edited by Ken Ramage, Krause Publications, Iola, WI 2003. 608 Pages, 3,000+ b&w photos. Softcover. \$21.95

Back by popular demand, this all-new expanded edition helps collectors identify the firearm, evaluate condition and determine value. Detailed specifications—and current values from specialized experts—are provided for domestic and imported handguns, rifles, shotguns and commemorative firearms. Heavily illustrated. Over 7,500 arms described and valued, in three grades of condition, according to the NRA's Modern standards.

Modern Machine Guns, by John Walter, Stackpole Books, Inc. Mechanicsburg, PA, 2000. 144 pp., with 146 illustrations. \$22.95

A compact and authoritative guide to post-war machine-guns. A gun-by-gun directory identifying individual variants and types including detailed evaluations and technical data.

Modern Sporting Guns, by Christopher Austyn, Safari Press, Huntington Beach, CA, 1994. 128 pp., illus. \$40.00

A discussion of the "best" English guns; round action, over-and-under, boxlocks, hammer guns, bolt action and double rifles as well as accessories.

The MP-40 Machine Gun, Desert Publications, El Dorado, AZ, 1995. 32 pp., illus. Paper covers. \$11.95

A reprint of the hard-to-find operating and maintenance manual for one of the most famous machine guns of World War II.

Naval Percussion Locks and Primers, by Lt. J. A. Dahlgren, Museum Restoration Service, Bloomfield, Canada, 1996. 140 pp., illus. \$35.00

First published as an Ordnance Memoranda in 1853, this is the finest existing study of percussion locks and primers origin and development.

The Official Soviet AKM Manual, translated by Maj. James F. Gebhardt (Ret.), Paladin Press, Boulder, CO, 1999. 120 pp., illustrated. Paper covers. \$18.00

This official military manual, available in English for the first time, was originally published by the Soviet Ministry of Defence. Covers the history, function, maintenance, assembly and disassembly, etc.

of the 7.62mm AKM assault rifle.

Practically Speaking: An Illustrated Guide - The Game, Guns and Gear of the International Defensive Pistol Association, by Walt Rauch. Lafayette Hills, PA: Privately Printed, 2002. 1st edition. 79 pages, illustrated with drawings and color photos. Softcover. \$24.95

The game, guns and gear of the International Defensive Pistol Association with real-world applications.

The Shooter's Bible 2004, No. 95, edited by William S. Jarrett, Stoeger Publishing Co., Wayne, NJ, 2003. 576 pp., illustrated. Paper covers. \$23.95

Over 3,000 firearms currently offered by major American and foreign gunmakers. Represented are handguns, rifles, shotguns and black powder arms with complete specifications and retail prices.

Shooting Buffalo Rifles Of The Old West, by Mike Venturino, MLV Enterprises, Livingston, MT, 2002. 278 pages, illustrated with b&w photos. Softcover. \$30.00

This tome will take you through the history, the usage, the many models, and the actual shooting (and how to's) of the many guns that saw service on the Frontier and are lovingly called "Buffalo Rifles" today. If you love to shoot your Sharps, Ballards, Remingtons, or Springfield "Trapdoors" for hunting or competition, or simply love Old West history, your library WILL NOT be complete without this latest book from Mike Venturino!

Shooting Colt Single Actions, by Mike Venturino, MLV Enterprises, Livingston, MT 1997. 205 pp., illus. Softcover. \$25.00

A complete examination of the Colt Single Action including styles, calibers and generations. Black & white photos throughout.

Shooting Lever Guns Of The Old West, by Mike Venturino, MLV Enterprises, Livingston, MT, 1999. 300 pp., illustrated. Softcover. \$27.95

Shooting the lever action type repeating rifles of our American West.

Shooting Sixguns of the Old West, by Mike Venturino, MLV Enterprises, Livingston, MT, 1997. 221 pp., illus. Paper covers. \$26.50.

A comprehensive look at the guns of the early West: Colts, Smith & Wesson and Remingtons, plus blackpowder and reloading specs.

Shooters Bible 2005 No. 96, by Jarrett (editor). **The World's Standard Firearms Reference Book**. Pocomoke, MD: Stoeger Publishing Company, 2003. 2004 edition. 576 pages. Pictorial softcover. \$23.95

The new edition of the Shooter's Bible offers gun enthusiasts everything they need to know about some 3,000 firearms and related equipment produced by U.S. and foreign gunmakers. It includes complete specifications and updated retail prices for handguns, rifles, shotguns, black powder arms and scopes and sights, all heavily illustrated throughout. Comprehensive ballistics tables for all major rifle cartridges simplify the reader's search for the latest information in one 20-page section. In addition, the 2004 edition contains an array of original articles by noted outdoor writers. New for this edition is a special Web Directory designed to complement the regular Reference section, including the popular Gunfinder index.

Small Arms of World War II, by Chris Chant. St. Paul, MN: MBI Publishing Company, 2001. 1st edition. 96 pages, single page on each weapon with photograph, description, and a specifications table. Hardcover. New. \$13.95

Detailing the design and development of each weapon, this book covers the most important infantry weapons used by both Allied

and Axis soldiers between 1939 and 1945. These include both standard infantry bolt-action rifles, such as the German Kar 98 and the British Lee-Enfield, plus the automatic rifles that entered service toward the end of the war, such as the Stg 43. As well as rifles, this book also features submachine guns, machine guns and handguns and a specifications table for each weapon.

Standard Catalog of Military Firearms 2nd Edition: The Collector's Price & Reference Guide, by Ned Schwing. Iola, WI: Krause Publishing, 2003. 2nd edition. 448 pages. Softcover. \$22.99

A companion volume to Standard Catalog of Firearms, this revised and expanded second edition comes complete with all the detailed information readers found useful and more. Listings beginning with the early cartridge models of the 1870s to the latest high-tech sniper rifles have been expanded to include more models, variations, historical information, and data, offering more detail for the military firearms collector, shooter, and history buff. Identification of specific firearms is easier with nearly 250 additional photographs. Plus, readers will enjoy "snap shots," small personal articles from experts relating real-life experiences with exclusive models. Revised to include every known military firearm available to the U.S. collector * More than 100 pages of expanded coverage * Special feature articles on focused aspects of collecting and shooting.

Survival Guns, by Mel Tappan, Desert Publications, El Dorado, AZ, 1993. 456 pp., illus. Paper covers. \$25.00

Discusses in a frank and forthright manner which handguns, rifles and shotguns to buy for personal defense and securing food, and the ones to avoid.

The Ultimate Sniper, by Major John L. Plaster, Paladin Press, Boulder, CO, 1994. 464 pp., illus. Paper covers. \$49.95

An advanced training manual for military and police snipers.

Weapons of Delta Force, by Fred Pushies. St. Paul, MN: MBI Publishing Company, 2002. 1st edition. 128 pgs., 100 b&w and 100 color illustrated. Hardcover. \$24.95

America's elite counter-terrorist organization, Delta Force, is a handpicked group of the U.S. Army's finest soldiers. The group specializes in hostage rescues and other difficult procedures to protect the lives of Americans throughout the world. Delta uses some of the most sophisticated weapons in the field today, and all are detailed in this book. Pistols, sniper rifles, special mission aircraft, fast attack vehicles, SCUBA and paratrooper gear, and more are presented in this fully illustrated account of our country's heroes and their tools of the trade.

Weapons of the Waffen-SS, by Bruce Quarrie, Sterling Publishing Co., Inc., 1991. 168 pp., illus. \$24.95

An in-depth look at the weapons that made Hitler's Waffen-SS the fearsome fighting machine it was.

Weatherby: The Man, The Gun, The Legend, by Grits and Tom Gresham, Cane River Publishing Co., Natchitoches, LA, 1992. 290 pp., illus. \$24.95

A fascinating look at the life of the man who changed the course of firearms development in America.

The Winchester Era, by David Madis, Art & Reference House, Brownsville, TX, 1984. 100 pp., illus. \$19.95

Story of the Winchester company, management, employees, etc.

The World's Machine Pistols and Submachine Guns - Vol. 2a 1964 to 1980, by Nelson & Musgrave, Ironside International, Alexandria, VA, 2000. 673 pages. \$59.95

Containing data, history and photographs of over 200 weapons. With a special section covering shoulder stocked automatic pistols, 100 additional photos.

The World's Sniping Rifles, by Ian V. Hogg, Stackpole Books, Mechanicsburg, 1998. 144 pp., illustrated. \$24.00

A detailed manual with descriptions and illustrations of more than 50 high-precision rifles from 14 countries and a complete analysis of sights and systems.

SELECTED BIBLIOGRAPHY: GUNSMITHING

ACCURIZING THE FACTORY RIFLE, BY M.L. MCPHERESON, PRECISION SHOOTING, INC., MANCHESTER, CT, 1999. 335 P P., ILLUSTRATED. PAPER COVERS. \$44.95

A long-awaited book, which bridges the gap between the rudimentary (mounting sling swivels, scope blocks and that general level of accomplishment) and the advanced (precision chambering, barrel fluting, and that general level of accomplishment) books that are currently available today.

The Art of Engraving, by James B. Meek, F. Brownell & Son, Montezuma, IA, 1973. 196 pp., illus. \$42.95

A complete, authoritative, imaginative and detailed study in training for gun engraving. The first book of its kind—and a great one.

Checkering and Carving of Gun Stocks, by Monte Kennedy, Stackpole Books, Harrisburg, PA, 1962. 175 pp., illus. \$39.95

Revised, enlarged cloth-bound edition of a much sought-after, dependable work.

Firearms Assembly/Disassembly, Part I: Automatic Pistols, 2nd Revised Edition, The Gun Digest Book of, by J.B. Wood, DBI Books, a division of Krause Publications, Iola, WI, 1999. 480 pp., illus. Paper covers. \$24.95

Covers 58 popular autoloading pistols plus nearly 200 variants of those models integrated into the text and completely cross-referenced in the index.

Firearms Assembly/Disassembly Part II: Revolvers, Revised Edition, The Gun Digest Book of, by J.B. Wood, DBI Books, a division of Krause Publications, Iola, WI, 1997. 480 pp., illus. Paper covers. \$27.95

Covers 49 popular revolvers plus 130 variants. The most comprehensive and professional presentation available to either hobbyist or gunsmith.

Firearms Assembly/Disassembly Part III: Rimfire Rifles, Revised Edition, The Gun Digest Book of, by J. B. Wood, DBI Books, a division of Krause Publications, Iola, WI., 1994. 480 pp., illus. Paper covers. \$19.95

Greatly expanded edition covering 65 popular rimfire rifles plus over 100 variants all completely cross-referenced in the index.

Firearms Assembly/Disassembly Part IV: Centerfire Rifles, 3rd Revised Edition, The Gun Digest Book of, by J.B. Wood, Krause Publications, Iola, WI, 2004. 480 pp., illus. Paper covers. \$24.95

Covers 54 popular centerfire rifles plus 300 variants. The most comprehensive and professional presentation available to either hobbyist or gunsmith.

Firearms Assembly/Disassembly, Part V: Shotguns, Revised Edition, The Gun Digest Book of, by J.B. Wood, Krause Publications, Iola, WI, 2002. 480 pp., illus. Paper covers. \$24.95

Covers 46 popular shotguns plus over 250 variants with step-by-step instructions on how to dismantle and reassemble each. The most comprehensive and professional presentation available to either hobbyist or gunsmith.

Firearms Assembly 3: The NRA Guide to Rifle and Shotguns, NRA Books, Wash., DC, 1980. 264 pp., illus.

Paper covers. \$14.95

Text and illustrations explaining the takedown of 125 rifles and shotguns, domestic and foreign.

Firearms Assembly 4: The NRA Guide to Pistols and Revolvers, NRA Books, Wash., DC, 1980. 253 pp., illus.

Paper covers. \$13.95

Text and illustrations explaining the takedown of 124 pistol and revolver models, domestic and foreign.

Firearms Bluing and Browning, by R.H. Angier, Stackpole Books, Harrisburg, PA. 151 pp., illus. \$19.95

A world master gunsmith reveals his secrets of building, repairing and renewing a gun, quite literally, lock, stock and barrel. A useful, concise text on chemical coloring methods for the gunsmith and mechanic.

Guns and Gunmaking Tools of Southern Appalachia, by John Rice Irwin, Schiffer Publishing Ltd., 1983. 118 pp., illus. Paper covers. \$9.95

The story of the Kentucky rifle.

The Gunsmith Of Grenville County: Building The American Longrifle, by Peter Alexander, Texarkana, TX: Scurlock Publishing Co., 2002. 400 pages, with hundreds of illustrations, and six color photos of original rifles. Wire O Bind spine will lay flat on the workbench. Stiff paper covers. \$45.00

The most extensive how to book on building longrifles ever published. Takes you through every step of building your own longrifle, from shop set up and tools to engraving, carving and finishing.

Gunsmithing: Pistols & Revolvers, by Patrick Sweeney, DBI Books, a division of Krause Publications, Iola, WI, 1998. 352 pp., illus. Paper covers. \$24.95

Do-it-Yourself projects, diagnosis and repair for pistols and revolvers.

Gunsmithing: Rifles, by Patrick Sweeney, Krause Publications, Iola, WI, 1999. 352 pp., illustrated. Paper covers. \$24.95

Tips for lever-action rifles. Building a custom Ruger 10/22. Building a better hunting rifle.

Gunsmithing Tips and Projects, a collection of the best articles from the Handloader and Rifle magazines, by various authors, Wolfe Publishing Co., Prescott, AZ, 1992. 443 pp., illus. Paper covers. \$25.00

Includes such subjects as shop, stocks, actions, tuning, triggers, barrels, customizing, etc.

Gunsmith Kinks, by F.R. (Bob) Brownell, F. Brownell & Son, Montezuma, IA, 1st ed., 1969. 496 pp., well illus. \$22.98

A widely useful accumulation of shop kinks, short cuts, techniques and pertinent comments by practicing gunsmiths from all over the world.

Gunsmith Kinks 2, by Bob Brownell, F. Brownell & Son, Publishers, Montezuma, IA, 1983. 496 pp., illus. \$22.95

A collection of gunsmithing knowledge, shop kinks, new and old techniques, shortcuts and general know-how straight from those who do them best—the gunsmiths.

Gunsmith Kinks 3, edited by Frank Brownell, Brownells Inc., Montezuma, IA, 1993. 504 pp., illus. \$24.95

Tricks, knacks and “kinks” by professional gunsmiths and gun tinkerers. Hundreds of valuable ideas are given in this volume.

Gunsmith Kinks 4, edited by Frank Brownell, Brownells Inc., Montezuma, IA, 2001. 564 pp., illus. \$27.75

332 detailed illustrations. 560+ pages with 706 separate subject headings and over 5000 cross-indexed entries. An incredible gold mine of information.

Gunsmithing, by Roy F. Dunlap, Stackpole Books, Harrisburg, PA, 1990. 742 pp., illus. \$34.95

A manual of firearm design, construction, alteration and remodeling. For amateur and professional gunsmiths and users of modern firearms.

Gunsmithing at Home: Lock, Stock and Barrel, by John Traister, Stoeger Publishing Co., Wayne, NJ, 1997. 320 pp., illus. Paper covers. \$19.95

A complete step-by-step fully illustrated guide to the art of gunsmithing.

Home Gunsmithing the Colt Single Action Revolvers, by Loren W. Smith, Ray Riling Arms Books, Co., Phila., PA, 2001. 119 pp., illus. \$29.95

Affords the Colt Single Action owner detailed, pertinent information on the operating and servicing of this famous and historic handgun.

How to Convert Military Rifles, Williams Gun Sight Co., Davison, MI, new and enlarged seventh edition, 1997. 76 pp., illus. Paper covers. \$13.95

This latest edition updated the changes that have occurred over the past thirty years. Tips, instructions and illustrations on how to convert popular military rifles as the Enfield, Mauser 96 and SKS just to name a few are presented.

Mauser M98 & M96, by R.A. Walsh, Wolfe Publishing Co., Prescott, AR, 1998. 123 pp., illustrated. Paper covers. \$32.50

How to build your own favorite custom Mauser rifle from two of the best bolt action rifle designs ever produced—the military Mauser Model 1898 and Model 1896 bolt rifles.

Mr. Single Shot's Gunsmithing-Idea-Book, by Frank de Haas, Mark de Haas, Orange City, IA, 1996. 168 pp., illus. Paper covers. \$22.50

Offers easy to follow, step-by-step instructions for a wide variety of gunsmithing procedures all reinforced by plenty of photos.

Pistolsmithing, by George C. Nonte, Jr., Stackpole Books, Harrisburg, PA, 1974. 560 pp., illus. \$34.95

A single source reference to handgun maintenance, repair, and modification at home, unequaled in value.

Professional Stockmaking, by D. Westbrook, Wolfe Publishing Co., Prescott AZ, 1995. 308 pp., illus. \$54.00

A step-by-step how-to with complete photographic support for every detail of the art of working wood into riflestocks.

Recreating the American Longrifle, by William Buchele, et al, George Shumway Publisher, York, Pa, 5th edition, 1999. 175 pp., illustrated. \$40.00

Includes full size plans for building a Kentucky rifle.

The Story of Pope's Barrels, by Ray M. Smith, R&R Books, Livonia, NY, 1993. 203 pp., illus. \$39.00

A reissue of a 1960 book whose author knew Pope personally. It will be of special interest to Schuetzen rifle fans, since Pope's greatest days were at the height of the Schuetzen-era before WWI.

Survival Gunsmithing, by J.B. Wood, Desert Publications, Cornville, AZ, 1986. 92 pp., illus. Paper covers. \$11.95

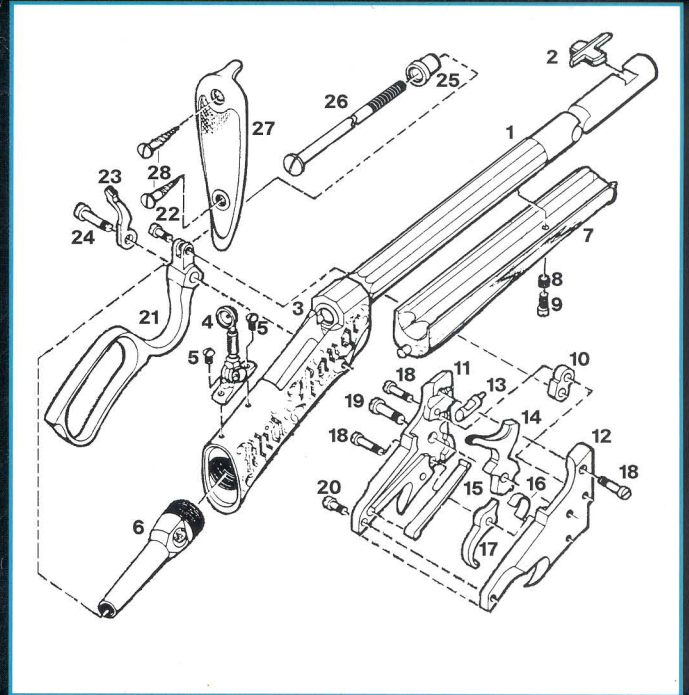
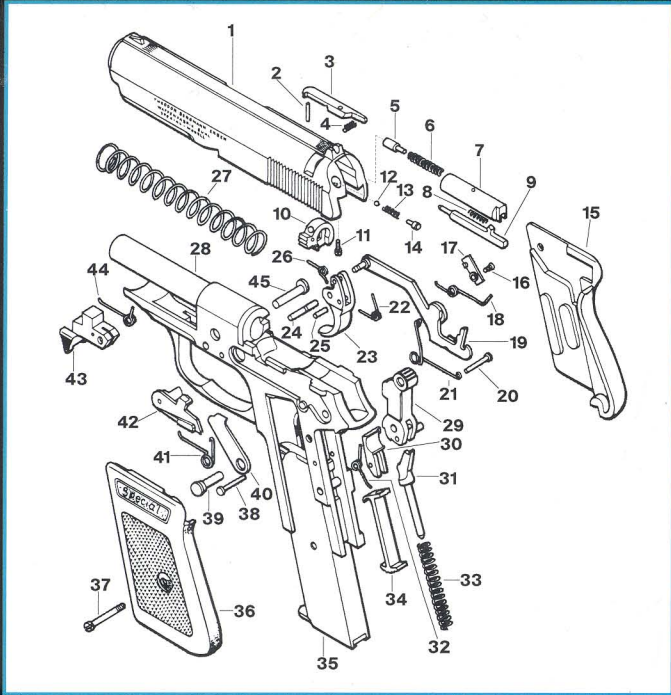
A guide to repair and maintenance of the most popular rifles, shotguns and handguns.

The Tactical 1911, by Dave Lauck, Paladin Press, Boulder, CO, 1998. 137 pp., illus. Paper covers. \$20.00

Here is the only book you will ever need to teach you how to select, modify, employ and maintain your Colt.

The Definitive One-Volume Resource

for Collectors, Gunsmiths, & Hobbyists



- **Hundreds of updated listings for modern and vintage handguns, rifles and shotguns**
- **Complete directory of firearms trade resources**
- **Selected shooting sports bibliography**



Gun Digest® Books
An imprint of F+W Publications
888-457-2873

ISBN: 0-89689-141-0 \$29.99 U.S.
(\$44.99 CAN)

